



Merk	OE-nummer	Artikelnummer	Groep	Artikelnr versterking
MERCEDES	9013201606	F020T698ZA75	SPRINTER 200	FK020T698ZB
MERCEDES	9013201606	F020T698ZA75	SPRINTER 200	FK020T934ZB
MERCEDES	9013201606	F020T698ZA75	SPRINTER 200	FK020T934ZC
MERCEDES	9013201806	F020T698ZA75	SPRINTER 200	FK020T698ZB
MERCEDES	9013201806	F020T698ZA75	SPRINTER 200	FK020T934ZB
MERCEDES	9013201806	F020T698ZA75	SPRINTER 200	FK020T934ZC
MERCEDES	9023201006	F020T704ZA75	SPRINTER 200	FK020T698ZB
MERCEDES	9023201006	F020T704ZA75	SPRINTER 200	FK020T934ZB
MERCEDES	9023201006	F020T704ZA75	SPRINTER 200	FK020T934ZC
MERCEDES	9023201506	F020T704ZA75	SPRINTER 200	FK020T698ZB
MERCEDES	9023201506	F020T704ZA75	SPRINTER 200	FK020T934ZB
MERCEDES	9023201506	F020T704ZA75	SPRINTER 200	FK020T934ZC
MERCEDES	9033200206	F020T674ZA75	SPRINTER 300	FK020T926ZB
MERCEDES	9033200406	F020T662ZA75	SPRINTER 300	FK020T934ZB
MERCEDES	9033200406	F020T662ZA75	SPRINTER 300	FK020T934ZC
MERCEDES	9033200606	F020T674ZA75	SPRINTER 300	FK020T926ZB
MERCEDES	9033200806	F020T732ZA75	SPRINTER 200	FK020T934ZB
MERCEDES	9033200806	F020T732ZA75	SPRINTER 200	FK020T934ZC
MERCEDES	9033200806	F020T732ZA75	SPRINTER 300	FK020T934ZB
MERCEDES	9033200806	F020T732ZA75	SPRINTER 300	FK020T934ZC
MERCEDES	9033201006	F020T734ZA75	SPRINTER 200	FK020T934ZB
MERCEDES	9033201006	F020T734ZA75	SPRINTER 200	FK020T934ZC
MERCEDES	9033201006	F020T734ZA75	SPRINTER 300	FK020T934ZB
MERCEDES	9033201006	F020T734ZA75	SPRINTER 300	FK020T934ZC
MERCEDES	9033201606	F020T732ZA75	SPRINTER 200	FK020T934ZB
MERCEDES	9033201606	F020T732ZA75	SPRINTER 200	FK020T934ZC
MERCEDES	9033201606	F020T732ZA75	SPRINTER 300	FK020T934ZB
MERCEDES	9033201606	F020T732ZA75	SPRINTER 300	FK020T934ZC
MERCEDES	9033201706	F020T884ZA75	SPRINTER 300	FK020T934ZB
MERCEDES	9033201706	F020T884ZA75	SPRINTER 300	FK020T934ZC
MERCEDES	9033201806	F020T886ZA75	SPRINTER 300	FK020T926ZB
MERCEDES	9033201906	F020T872ZA75	SPRINTER 300	FK020T872ZB
MERCEDES	9033201906	F020T872ZA75	SPRINTER 300	FK020T926ZC
MERCEDES	9033202106	F020T874ZA75	SPRINTER 300	FK020T872ZB
MERCEDES	9033202206	F020T734ZA75	SPRINTER 300	FK020T934ZB
MERCEDES	9033202206	F020T734ZA75	SPRINTER 300	FK020T934ZC
MERCEDES	9033202306	F020T868ZA75	SPRINTER 300	FK020T934ZB
MERCEDES	9033202306	F020T868ZA75	SPRINTER 300	FK020T934ZC
MERCEDES	9033202606	F020T870ZA75	SPRINTER 300	FK020T934ZB
MERCEDES	9033202606	F020T870ZA75	SPRINTER 300	FK020T934ZC
MERCEDES	9033202706	F020T866ZA75	SPRINTER 300	FK020T934ZB
MERCEDES	9033202706	F020T866ZA75	SPRINTER 300	FK020T934ZC
MERCEDES	9043200506	F020T680ZA75	SPRINTER 400	FK020T680ZB
MERCEDES	9043200606	F020T680ZA75	SPRINTER 400	FK020T680ZB
MERCEDES	9043200706	F020T718ZA75	SPRINTER 400	FK020T680ZB
MERCEDES	9043201406	F020T878ZA75	SPRINTER 400	FK020T680ZB
MERCEDES	9043201606	F020T856ZA75	SPRINTER 400	FK020T856ZB
MERCEDES	9043201906	F020T918ZA75	SPRINTER 400	FK020T856ZB

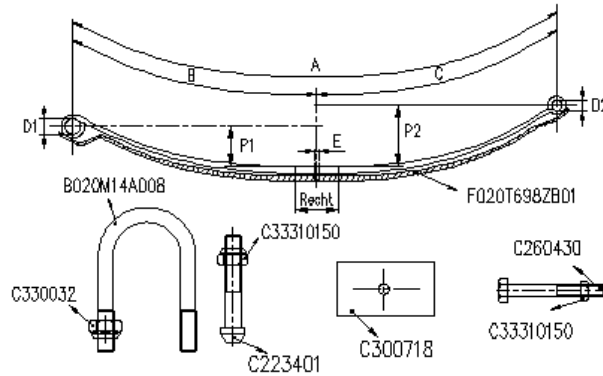


Merk	OE-nummer	Artikelnummer	Groep	Artikelnr versterking
MERCEDES	9053200206	F020T920ZA75	SPRINTER 600	FK020T926ZB
MERCEDES	9053200206	F020T920ZA75	SPRINTER 600	FK020T926ZC
MERCEDES	9063200206	F020T926ZA75	SPRINTER 500-2006	FK020T926ZB
MERCEDES	9063200206	F020T926ZA75	SPRINTER 500-2006	FK020T926ZC
MERCEDES	9063200206	F020T926ZA75	SPRINTER 500-2006	FK020T926ZD
MERCEDES	9063200306	F020T928ZA75	SPRINTER 300-2006	FK020T934ZB
MERCEDES	9063200306	F020T928ZA75	SPRINTER 300-2006	FK020T934ZC
MERCEDES	9063200406	F020T930ZA75	SPRINTER 200-2006	FK020T930ZB
MERCEDES	9063200406	F020T930ZA75	SPRINTER 300-2006	FK020T930ZB
MERCEDES	9063201806	F020T934ZA75	SPRINTER 300-2006	FK020T934ZB
MERCEDES	9063201806	F020T934ZA75	SPRINTER 300-2006	FK020T934ZC
MERCEDES	9063202206	F020T940ZA75	SPRINTER 200-2006	FK020T934ZB
MERCEDES	9063202206	F020T940ZA75	SPRINTER 200-2006	FK020T934ZC
MERCEDES	9063202206	F020T940ZA75	SPRINTER 300-2006	FK020T934ZB
MERCEDES	9063202206	F020T940ZA75	SPRINTER 300-2006	FK020T934ZC
MERCEDES	9063202506	F020T946ZA75	SPRINTER 300-2006	FK020T930ZB
MERCEDES	9063202906	F020T948ZA75	SPRINTER 500-2006	FK020T926ZB
MERCEDES	9063202906	F020T948ZA75	SPRINTER 500-2006	FK020T926ZD
MERCEDES	9063203106	F020T952ZA75	SPRINTER 200-2006	FK020T934ZB
MERCEDES	9063203106	F020T952ZA75	SPRINTER 200-2006	FK020T934ZC
MERCEDES	9063203206	F020T924ZA75	SPRINTER 300-2006	FK020T934ZB
MERCEDES	9063203206	F020T924ZA75	SPRINTER 300-2006	FK020T934ZC
MERCEDES	9063203606	F020T954ZA75	SPRINTER 200-2006	FK020T934ZB
MERCEDES	9063203606	F020T954ZA75	SPRINTER 200-2006	FK020T934ZC
MERCEDES	9063203806	F020T956ZA75	SPRINTER 300-2006	FK020T934ZB
MERCEDES	9063203806	F020T956ZA75	SPRINTER 300-2006	FK020T934ZC
MERCEDES	9063203906	F020T958ZA75	SPRINTER 300-2006	FK020T930ZB

**SERIE : SPRINTER 200**

**achter-arrière-rear-Hinten**

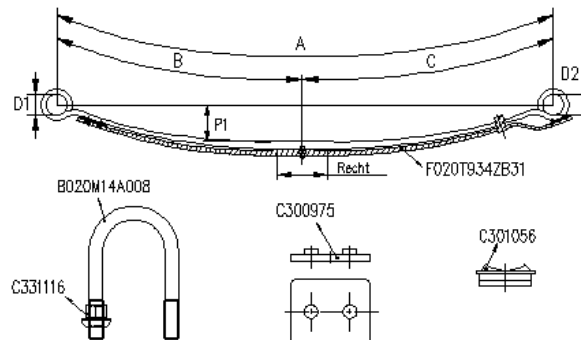
VEER RESSORT SPRING FEDER	BR LRG WID BR	BLADEN LAMES LEAVES BLATT.	B	C	D1	D2	PH FL FA SP	PAK EP TH PAK	DETAIL	MOD	OPMERKINGEN REMARKS BEMERKUNGEN
F020T698ZA75	70	1	740	755	S12	S12	145	21	1/21	F01.22	



**Kit : FK020T698ZB**

Composition :

B020M14A008	4
C300975	4
C301002	2
C330032	8
F020T664HA80	2

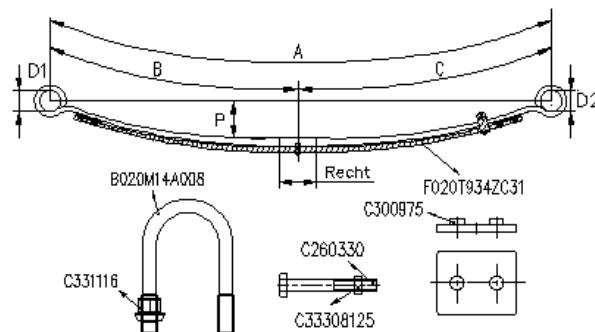


**Kit : FK020T934ZB**

Composition :

C331116	8
F020T934ZB31	2
C300975	2
B020M14A008	4
C301056	2

## SERIE : **SPRINTER 200**



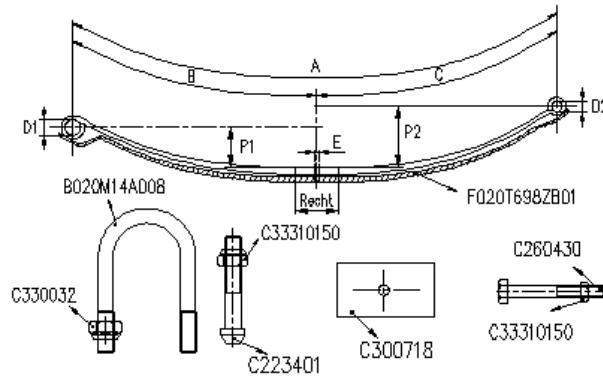
**Kit : FK020T934ZC**

Composition :

C33308125	2
B020M14A008	4
F020T934ZC31	2
C331116	8
C300975	4
C260334	2

**SERIE : SPRINTER 200**

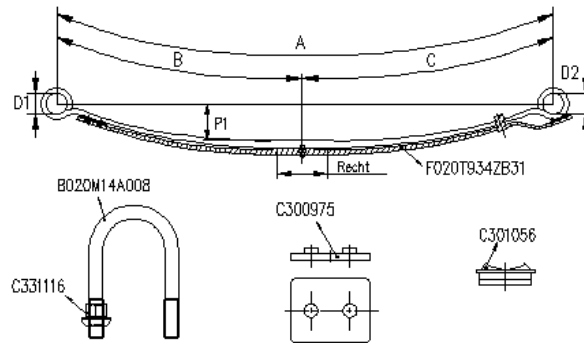
VEER RESSORT SPRING FEDER	BR LRG WID BR	BLADEN LAMES LEAVES BLATT.	B	C	D1	D2	PH FL FA SP	PAK EP TH PAK	DETAIL	MOD	OPMERKINGEN REMARQUES REMARKS BEMERKUNGEN
F020T704ZA75	70	1	740	755	S12	S12	135	23	1/23	F01.22	



**Kit : FK020T698ZB**

Composition :

C300975	4
C301002	2
C330032	8
F020T664HA80	2
B020M14A008	4

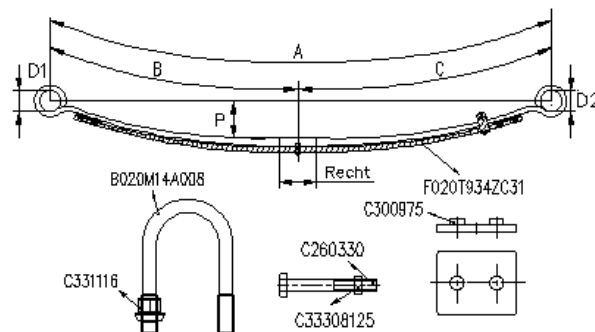


**Kit : FK020T934ZB**

Composition :

C331116	8
C301056	2
C300975	2
B020M14A008	4
F020T934ZB31	2

## SERIE : **SPRINTER 200**



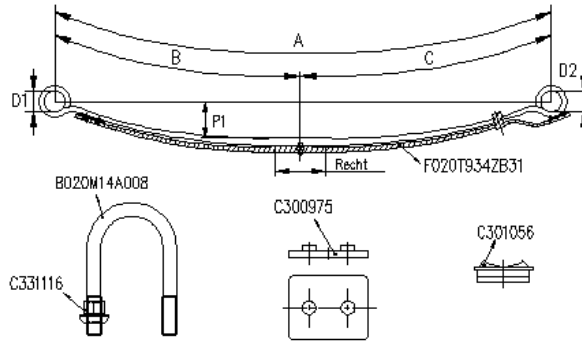
**Kit : FK020T934ZC**

Composition :

C33308125	2
F020T934ZC31	2
C331116	8
C300975	4
C260330	2
B020M14A008	4

**SERIE : SPRINTER 200**

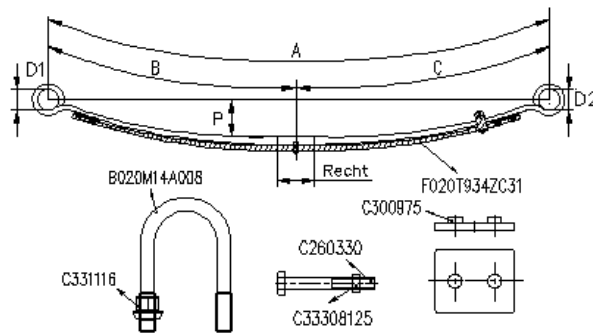
VEER RESSORT SPRING FEDER	BR LRG WID BR	BLADEN LAMES LEAVES BLATT.	B	C	D1	D2	PH FL FA SP	PAK EP TH PAK	DETAIL	MOD	OPMERKINGEN REMARQUES REMARKS BEMERKUNGEN
F020T732ZA75	70	1	740	755	S12	S12	115	24	1/24	F01.22	



**Kit : FK020T934ZB**

Composition :

F020T934ZB31	2
C300975	2
C301056	2
C331116	8
B020M14A008	4



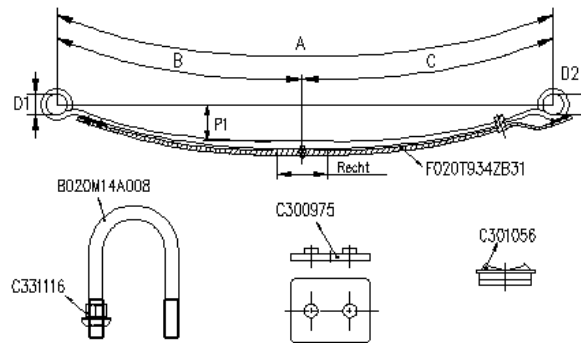
**Kit : FK020T934ZC**

Composition :

C331116	8
F020T934ZC31	2
C33308125	2
C300975	4
B020M14A008	4
C260334	2

**SERIE : SPRINTER 200**

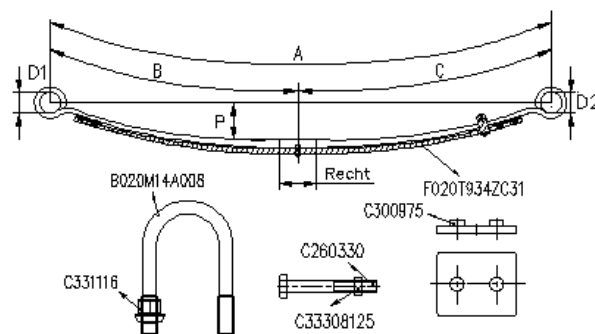
VEER RESSORT SPRING FEDER	BR LRG WID BR	BLADEN LAMES LEAVES BLATT.	B	C	D1	D2	PH FL FA SP	PAK EP TH PAK	DETAIL	MOD	OPMERKINGEN REMARQUES REMARKS BEMERKUNGEN
F020T734ZA75	70	1	740	750	S12	S12	70	27	1/27	F01.22	



**Kit : FK020T934ZB**

Composition :

B020M14A008	4
C300975	2
C301056	2
C331116	8
F020T934ZB31	2



**Kit : FK020T934ZC**

Composition :

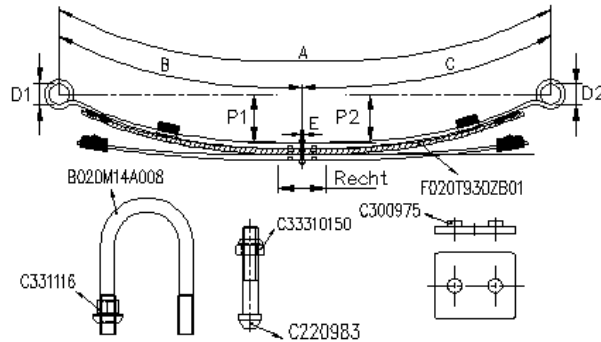
C331116	8
C33308125	2
F020T934ZC31	2
C300975	4
C260334	2
B020M14A008	4



**SERIE : SPRINTER 200-2006**

**achter-arrière-rear-Hinten**

VEER RESSORT SPRING FEDER	BR LRG WID BR	BLADEN LAMES LEAVES BLATT.	B	C	D1	D2	PH FL FA SP	PAK EP TH PAK	DETAIL	MOD	OPMERKINGEN REMARQUES REMARKS BEMERKUNGEN
F020T930ZA75	70	1/1	740	755	S12	S12	140	36	2/18	F01B.70	



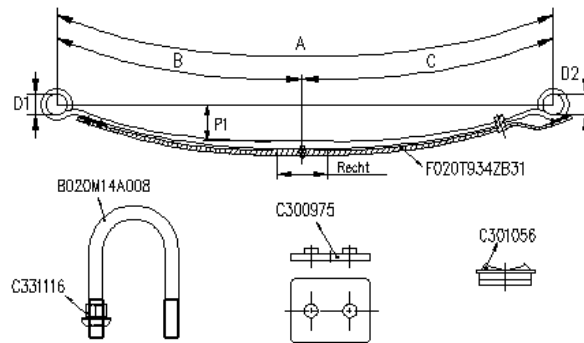
**Kit : FK020T930ZB**

Composition :

C33310150	2
B020M14A008	4
F020T930ZB01	2
C331116	8
C300975	4
C220983	2

**SERIE : SPRINTER 200-2006**

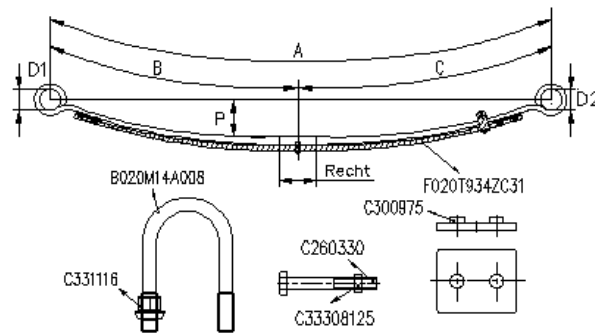
VEER RESSORT SPRING FEDER	BR LRG WID BR	BLADEN LAMES LEAVES BLATT.	B	C	D1	D2	PH FL FA SP	PAK EP TH PAK	DETAIL	MOD	OPMERKINGEN REMARQUES REMARKS BEMERKUNGEN
F020T940ZA75	70	1	740	755	S12	S12		0		Z	



**Kit : FK020T934ZB**

Composition :

C300975	2
C301056	2
C331116	8
F020T934ZB31	2
B020M14A008	4



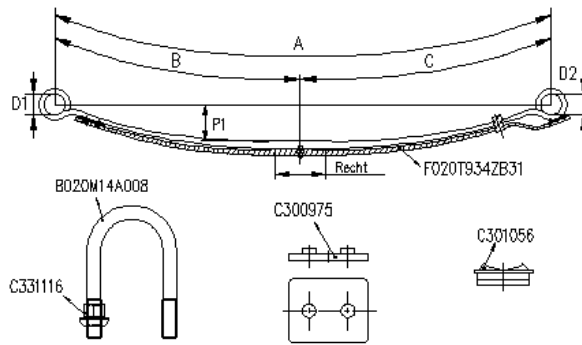
**Kit : FK020T934ZC**

Composition :

C260334	2
C33308125	2
F020T934ZC31	2
B020M14A008	4
C300975	4
C331116	8

**SERIE : SPRINTER 200-2006**

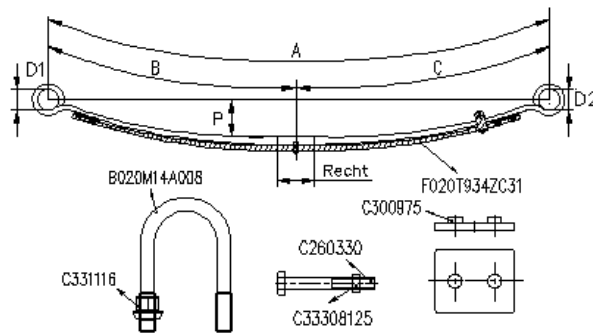
VEER RESSORT SPRING FEDER	BR LRG WID BR	BLADEN LAMES LEAVES BLATT.	B	C	D1	D2	PH FL FA SP	PAK EP TH PAK	DETAIL	MOD	OPMERKINGEN REMARKES REMARKS BEMERKUNGEN
F020T952ZA75	70	1	740	755	S12	S12	125	22	1/22	F01.70	



**Kit : FK020T934ZB**

Composition :

F020T934ZB31	2
B020M14A008	4
C300975	2
C301056	2
C331116	8



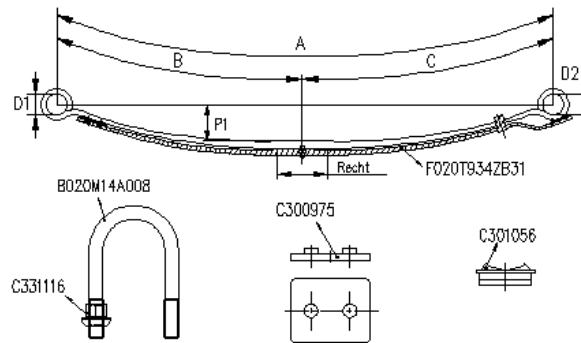
**Kit : FK020T934ZC**

Composition :

F020T934ZC31	2
C33308125	2
C331116	8
C300975	4
B020M14A008	4
C260334	2

**SERIE : SPRINTER 200-2006**

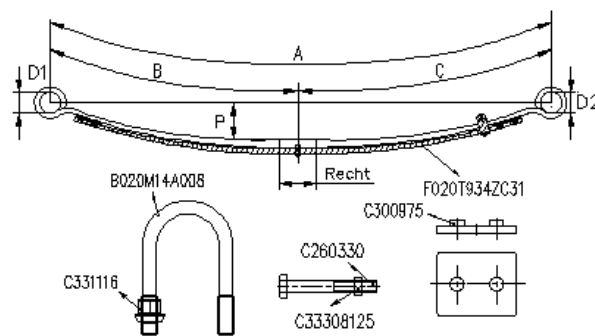
VEER RESSORT SPRING FEDER	BR LRG WID BR	BLADEN LAMES LEAVES BLATT.	B	C	D1	D2	PH FL FA SP	PAK EP TH PAK	DETAIL	MOD	OPMERKINGEN REMARKES REMARKS BEMERKUNGEN
F020T954ZA75	70	1	740	755	S12	S12		0		Z	



**Kit : FK020T934ZB**

Composition :

C331116	8
F020T934ZB31	2
C300975	2
B020M14A008	4
C301056	2



**Kit : FK020T934ZC**

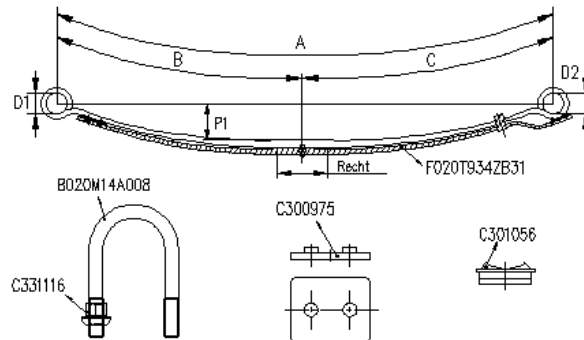
Composition :

C33308125	2
F020T934ZC31	2
C331116	8
C300975	4
C260334	2
B020M14A008	4

**SERIE : SPRINTER 300**

**achter-arrière-rear-Hinten**

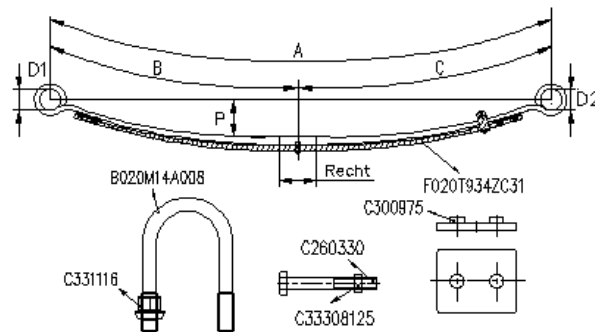
VEER RESSORT SPRING FEDER	BR LRG WID BR	BLADEN LAMES LEAVES BLATT.	B	C	D1	D2	PH FL FA SP	PAK EP TH PAK	DETAIL	MOD	OPMERKINGEN REMARKS BEMERKUNGEN
F020T662ZA75	70	1	740	755	S12	S12	120	25	1/25	F01.22	1e Gen



**Kit : FK020T934ZB**

Composition :

F020T934ZB31	2
C300975	2
C301056	2
C331116	8
B020M14A008	4



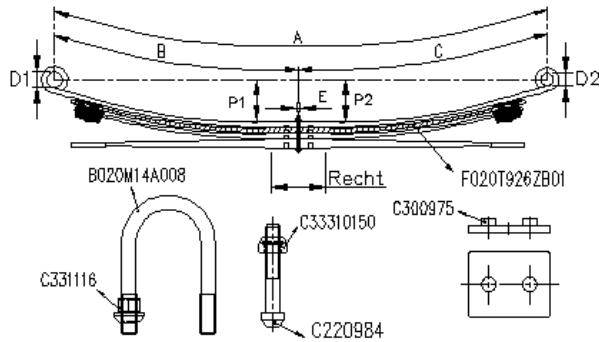
**Kit : FK020T934ZC**

Composition :

C331116	8
F020T934ZC31	2
C33308125	2
C300975	4
B020M14A008	4
C260334	2

**SERIE : SPRINTER 300**

VEER RESSORT SPRING FEDER	BR LRG WID BR	BLADEN LAMES LEAVES BLATT.	B	C	D1	D2	PH FL FA SP	PAK EP TH PAK	DETAIL	MOD	OPMERKINGEN REMARKES REMARKS BEMERKUNGEN
F020T674ZA75	70	1/1	740	750	S12	S12	135	39	1/19+1/20	F01.22	1e Gen



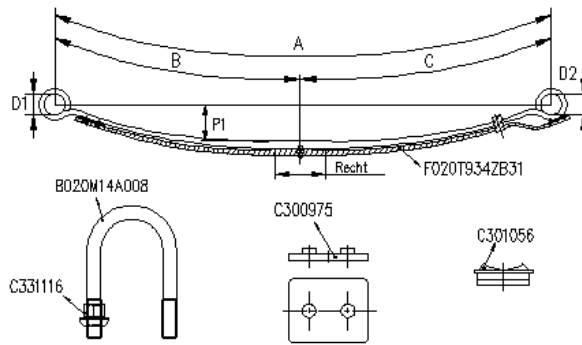
**Kit : FK020T926ZB**

Composition :

B020M14A008	4
C220984	2
C300975	4
C331116	8
C33310150	2
F020T926ZB01	2

**SERIE : SPRINTER 300**

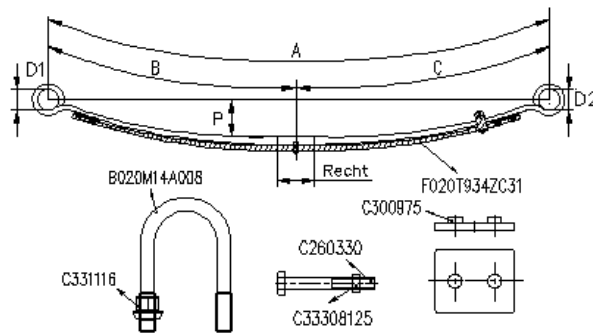
VEER RESSORT SPRING FEDER	BR LRG WID BR	BLADEN LAMES LEAVES BLATT.	B	C	D1	D2	PH FL FA SP	PAK EP TH PAK	DETAIL	MOD	OPMERKINGEN REMARQUES REMARKS BEMERKUNGEN
F020T732ZA75	70	1	740	755	S12	S12	115	24	1/24	F01.22	



**Kit : FK020T934ZB**

Composition :

F020T934ZB31	2
C331116	8
C301056	2
C300975	2
B020M14A008	4



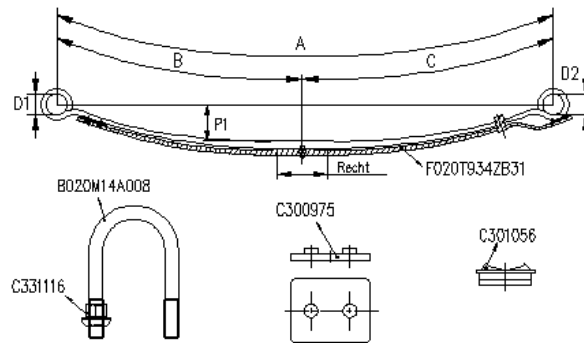
**Kit : FK020T934ZC**

Composition :

C33308125	2
B020M14A008	4
F020T934ZC31	2
C331116	8
C300975	4
C260334	2

**SERIE : SPRINTER 300**

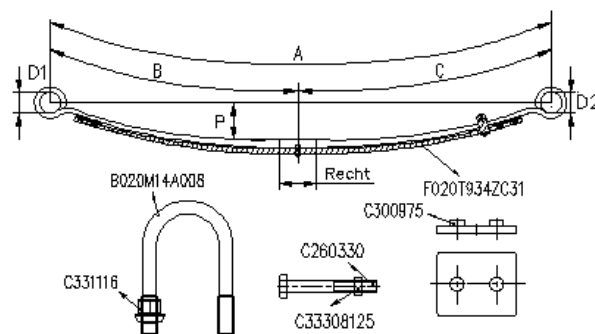
VEER RESSORT SPRING FEDER	BR LRG WID BR	BLADEN LAMES LEAVES BLATT.	B	C	D1	D2	PH FL FA SP	PAK EP TH PAK	DETAIL	MOD	OPMERKINGEN REMARKES REMARKS BEMERKUNGEN
F020T734ZA75	70	1	740	750	S12	S12	70	27	1/27	F01.22	



**Kit : FK020T934ZB**

Composition :

C300975	2
C301056	2
C331116	8
F020T934ZB31	2
B020M14A008	4



**Kit : FK020T934ZC**

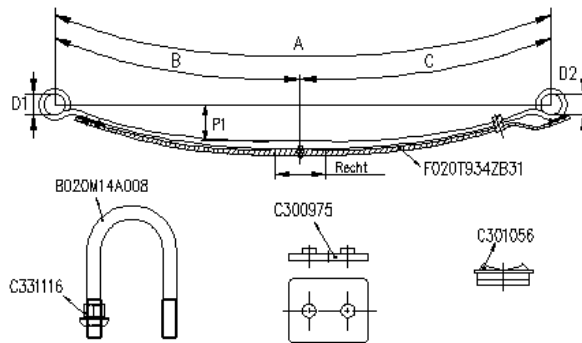
Composition :

C260334	2
C33308125	2
F020T934ZC31	2
B020M14A008	4
C300975	4
C331116	8



**SERIE : SPRINTER 300**

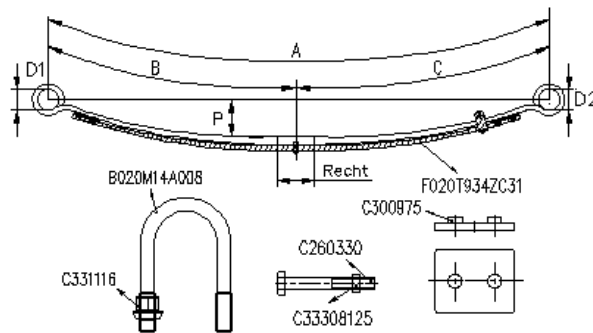
VEER RESSORT SPRING FEDER	BR LRG WID BR	BLADEN LAMES LEAVES BLATT.	B	C	D1	D2	PH FL FA SP	PAK EP TH PAK	DETAIL	MOD	OPMERKINGEN REMARQUES REMARKS BEMERKUNGEN
F020T866ZA75	70	1	740	755	S12	S12	135	25	1/25	F01.22	



**Kit : FK020T934ZB**

Composition :

F020T934ZB31	2
B020M14A008	4
C300975	2
C301056	2
C331116	8



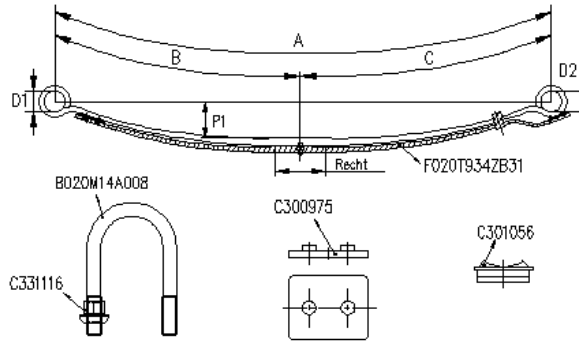
**Kit : FK020T934ZC**

Composition :

F020T934ZC31	2
C33308125	2
C331116	8
C300975	4
B020M14A008	4
C260334	2

**SERIE : SPRINTER 300**

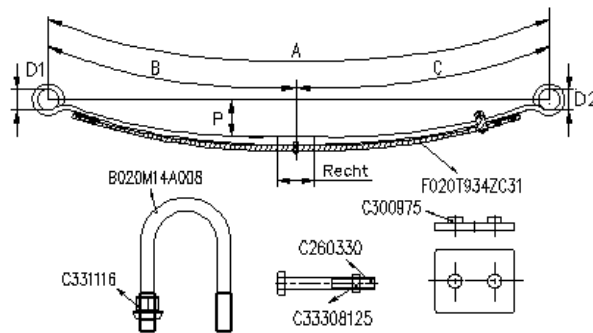
VEER RESSORT SPRING FEDER	BR LRG WID BR	BLADEN LAMES LEAVES BLATT.	B	C	D1	D2	PH FL FA SP	PAK EP TH PAK	DETAIL	MOD	OPMERKINGEN REMARQUES REMARKS BEMERKUNGEN
F020T868ZA75	70	1	740	755	S12	S12	115	25	1/25	F01.22	



**Kit : FK020T934ZB**

Composition :

C300975	2
F020T934ZB31	2
B020M14A008	4
C331116	8
C301056	2



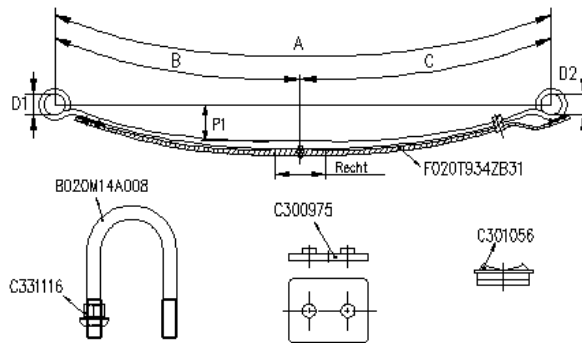
**Kit : FK020T934ZC**

Composition :

C33308125	2
F020T934ZC31	2
C331116	8
C300975	4
C260334	2
B020M14A008	4

**SERIE : SPRINTER 300**

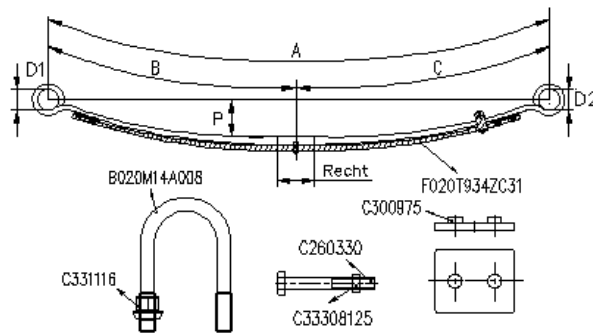
VEER RESSORT SPRING FEDER	BR LRG WID BR	BLADEN LAMES LEAVES BLATT.	B	C	D1	D2	PH FL FA SP	PAK EP TH PAK	DETAIL	MOD	OPMERKINGEN REMARKES REMARKS BEMERKUNGEN
F020T870ZA75	70	1	740	755	S12	S12	51	30	1/30	F01.22	



**Kit : FK020T934ZB**

Composition :

F020T934ZB31	2
C300975	2
C301056	2
C331116	8
B020M14A008	4



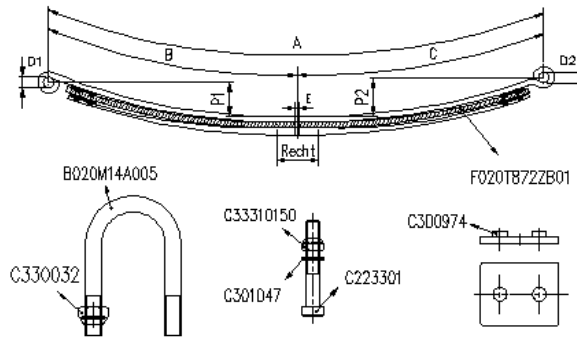
**Kit : FK020T934ZC**

Composition :

C331116	8
F020T934ZC31	2
C33308125	2
C300975	4
B020M14A008	4
C260334	2

**SERIE : SPRINTER 300**

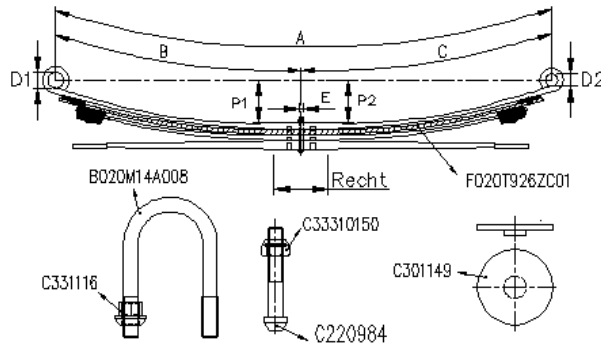
VEER RESSORT SPRING FEDER	BR LRG WID BR	BLADEN LAMES LEAVES BLATT.	B	C	D1	D2	PH FL FA SP	PAK EP TH PAK	DETAIL	MOD	OPMERKINGEN REMARQUES REMARKS BEMERKUNGEN
F020T872ZA75	70	2	740	755	S12	S12	110	39	1/18+1/21	F01.22	



**Kit : FK020T872ZB**

Composition :

B020M14A005	4
C223301	2
C300974	4
C301047	2
C330032	8
C33310150	2
F020T872ZB01	2



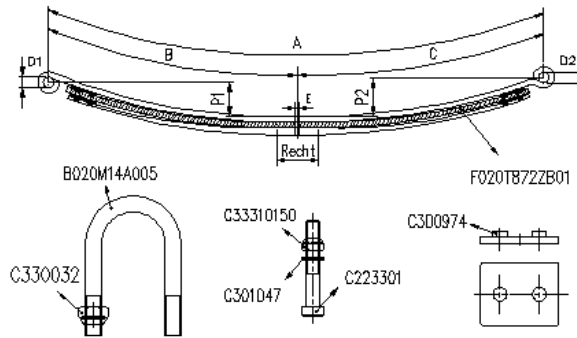
**Kit : FK020T926ZC**

Composition :

C331116	8
C33310150	2
C220984	2
B020M14A008	4
F020T926ZC01	2
C301149	4

**SERIE : SPRINTER 300**

VEER RESSORT SPRING FEDER	BR LRG WID BR	BLADEN LAMES LEAVES BLATT.	B	C	D1	D2	PH FL FA SP	PAK EP TH PAK	DETAIL	MOD	OPMERKINGEN REMARKES REMARKS BEMERKUNGEN
F020T874ZA75	70	2	740	755	S12	S12	80	39	1/16+1/23	F01.22	2e Gen



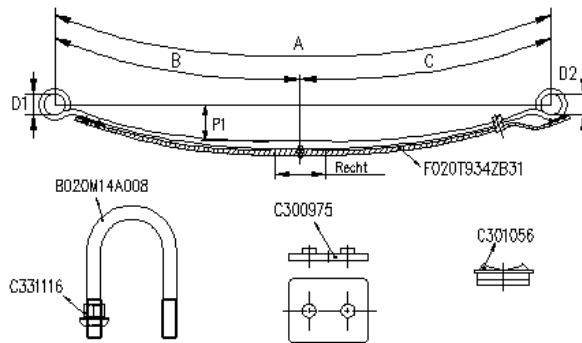
**Kit : FK020T872ZB**

Composition :

C330032	8
C33310150	2
C301047	2
C300974	4
C223301	2
B020M14A005	4
F020T872ZB01	2

**SERIE : SPRINTER 300**

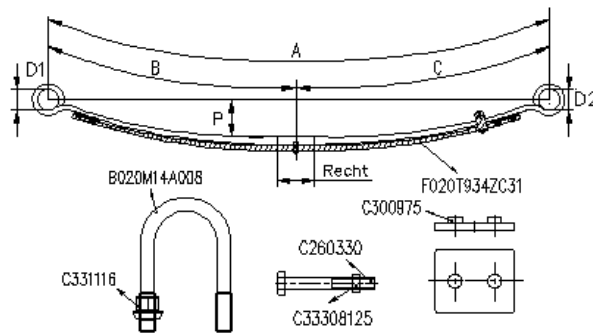
VEER RESSORT SPRING FEDER	BR LRG WID BR	BLADEN LAMES LEAVES BLATT.	B	C	D1	D2	PH FL FA SP	PAK EP TH PAK	DETAIL	MOD	OPMERKINGEN REMARQUES REMARKS BEMERKUNGEN
F020T884ZA75	70	1	740	755	S12	S12	120	25	1/25	F01.22	2e Gen



**Kit : FK020T934ZB**

Composition :

F020T934ZB31	2
B020M14A008	4
C300975	2
C301056	2
C331116	8



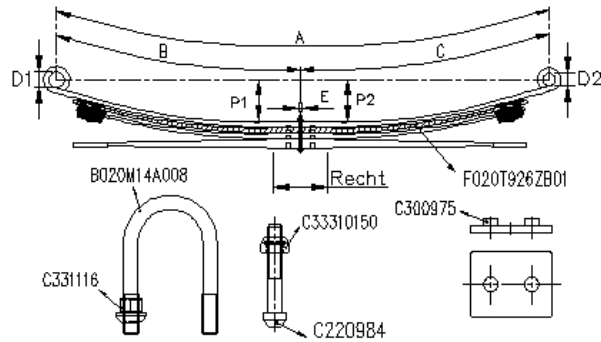
**Kit : FK020T934ZC**

Composition :

C331116	8
C33308125	2
F020T934ZC31	2
C300975	4
B020M14A008	4
C260334	2

**SERIE : SPRINTER 300**

VEER RESSORT SPRING FEDER	BR LRG WID BR	BLADEN LAMES LEAVES BLATT.	B	C	D1	D2	PH FL FA SP	PAK EP TH PAK	DETAIL	MOD	OPMERKINGEN REMARKES REMARKS BEMERKUNGEN
F020T886ZA75	70	1/1	740	750	S12	S12	135	39	1/19+1/20	F01.22	2e Gen



**Kit : FK020T926ZB**

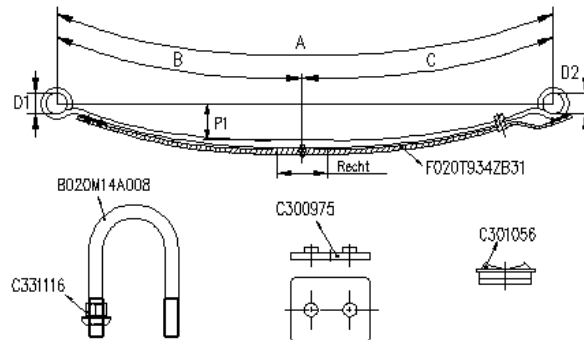
Composition :

B020M14A008	4
C220984	2
C300975	4
C331116	8
C33310150	2
F020T926ZB01	2

**SERIE : SPRINTER 300-2006**

**achter-arrière-rear-Hinten**

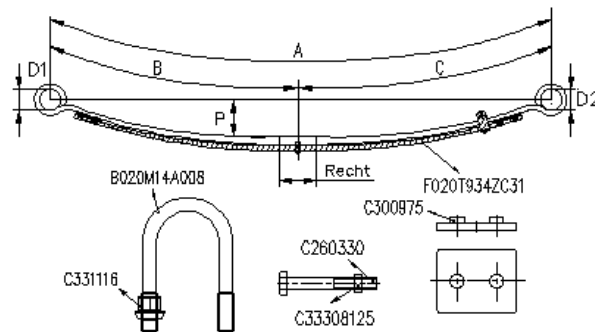
VEER RESSORT SPRING FEDER	BR LRG WID BR	BLADEN LAMES LEAVES BLATT.	B	C	D1	D2	PH FL FA SP	PAK EP TH PAK	DETAIL	MOD	OPMERKINGEN REMARKS BEMERKUNGEN
F020T924ZA75	70	1	740	755	S12	S12	105	25	1/25	F01.70	



**Kit : FK020T934ZB**

Composition :

F020T934ZB31	2
B020M14A008	4
C300975	2
C301056	2
C331116	8



**Kit : FK020T934ZC**

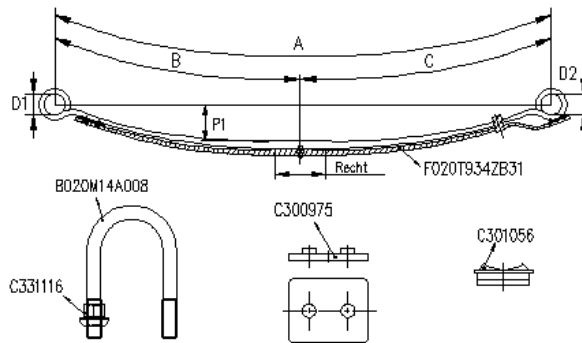
Composition :

C260334	2
C300975	4
C331116	8
C33308125	2
F020T934ZC31	2
B020M14A008	4



**SERIE : SPRINTER 300-2006**

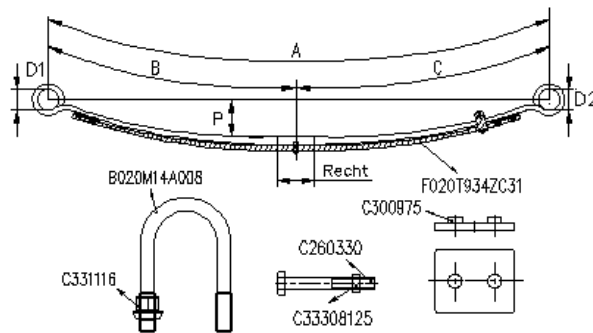
VEER RESSORT SPRING FEDER	BR LRG WID BR	BLADEN LAMES LEAVES BLATT.	B	C	D1	D2	PH FL FA SP	PAK EP TH PAK	DETAIL	MOD	OPMERKINGEN REMARKES REMARKS BEMERKUNGEN
F020T928ZA75	70	1	740	755	S12	S12	105	25	1/25	F01.70	934ZA+YC020C40022



**Kit : FK020T934ZB**

Composition :

C331116	8
F020T934ZB31	2
C301056	2
C300975	2
B020M14A008	4



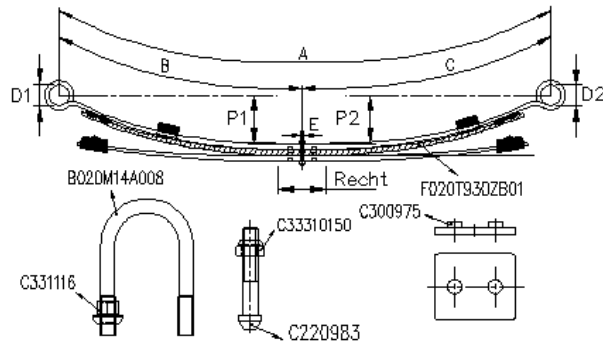
**Kit : FK020T934ZC**

Composition :

C260334	2
C300975	4
C331116	8
C33308125	2
F020T934ZC31	2
B020M14A008	4

**SERIE : SPRINTER 300-2006**

VEER RESSORT SPRING FEDER	BR LRG WID BR	BLADEN LAMES LEAVES BLATT.	B	C	D1	D2	PH FL FA SP	PAK EP TH PAK	DETAIL	MOD	OPMERKINGEN REMARKES REMARKS BEMERKUNGEN
F020T930ZA75	70	1/1	740	755	S12	S12	140	36	2/18	F01B.70	



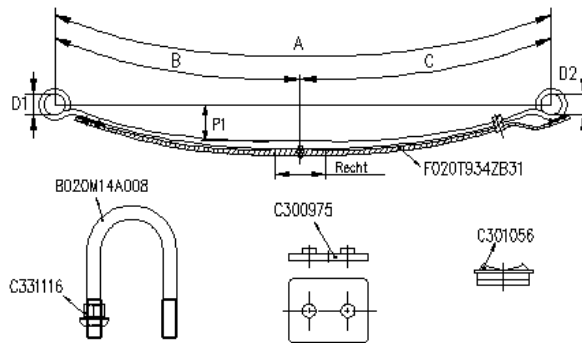
**Kit : FK020T930ZB**

Composition :

B020M14A008	4
F020T930ZB01	2
C33310150	2
C220983	2
C331116	8
C300975	4

**SERIE : SPRINTER 300-2006**

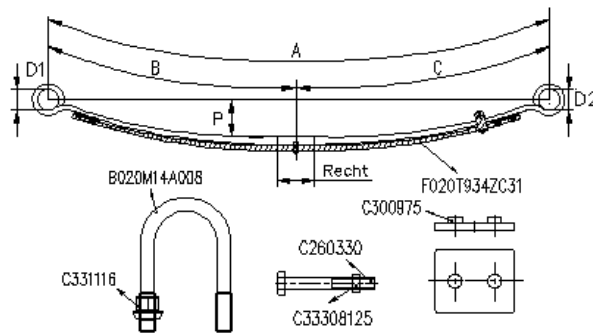
VEER RESSORT SPRING FEDER	BR LRG WID BR	BLADEN LAMES LEAVES BLATT.	B	C	D1	D2	PH FL FA SP	PAK EP TH PAK	DETAIL	MOD	OPMERKINGEN REMARKES REMARKS BEMERKUNGEN
F020T934ZA75	70	1	740	755	S12	S12	105	25	1/25	F01.70	



**Kit : FK020T934ZB**

Composition :

F020T934ZB31	2
B020M14A008	4
C300975	2
C301056	2
C331116	8



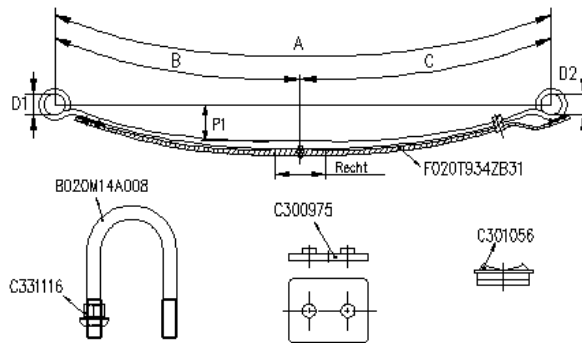
**Kit : FK020T934ZC**

Composition :

F020T934ZC31	2
C33308125	2
C331116	8
C300975	4
B020M14A008	4
C260334	2

**SERIE : SPRINTER 300-2006**

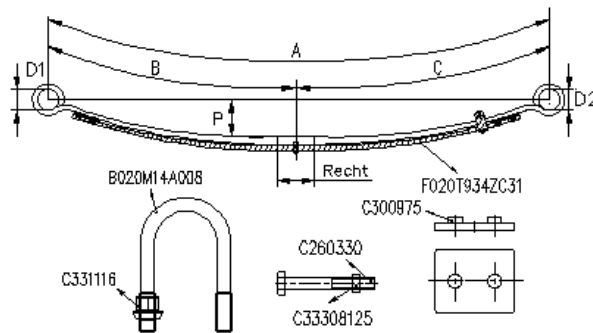
VEER RESSORT SPRING FEDER	BR LRG WID BR	BLADEN LAMES LEAVES BLATT.	B	C	D1	D2	PH FL FA SP	PAK EP TH PAK	DETAIL	MOD	OPMERKINGEN REMARKES REMARKS BEMERKUNGEN
F020T940ZA75	70	1	740	755	S12	S12		0		Z	



**Kit : FK020T934ZB**

Composition :

C300975	2
F020T934ZB31	2
C331116	8
B020M14A008	4
C301056	2



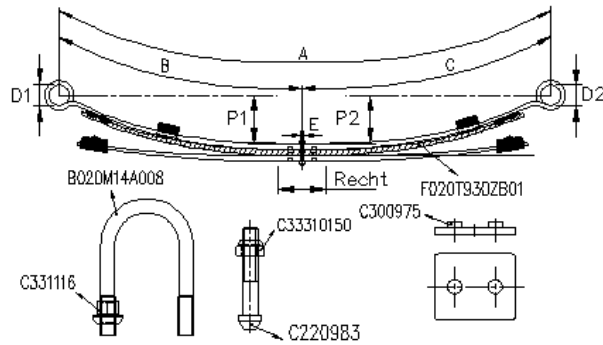
**Kit : FK020T934ZC**

Composition :

C33308125	2
F020T934ZC31	2
C331116	8
C300975	4
C260334	2
B020M14A008	4

**SERIE : SPRINTER 300-2006**

VEER RESSORT SPRING FEDER	BR LRG WID BR	BLADEN LAMES LEAVES BLATT.	B	C	D1	D2	PH FL FA SP	PAK EP TH PAK	DETAIL	MOD	OPMERKINGEN REMARQUES REMARKS BEMERKUNGEN
F020T946ZA75	70	1/1	740	755	S12	S12	140	41	1/18+1/23	F01B.70	



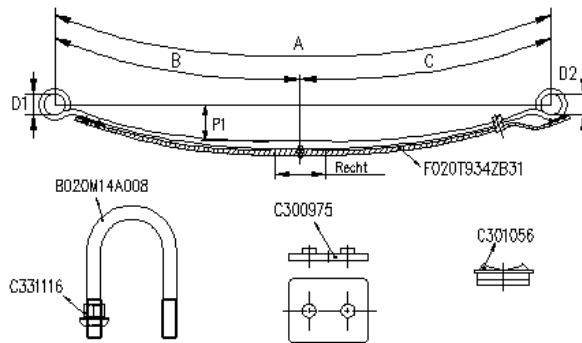
**Kit : FK020T930ZB**

Composition :

C220983	2
C300975	4
C331116	8
C33310150	2
F020T930ZB01	2
B020M14A008	4

**SERIE : SPRINTER 300-2006**

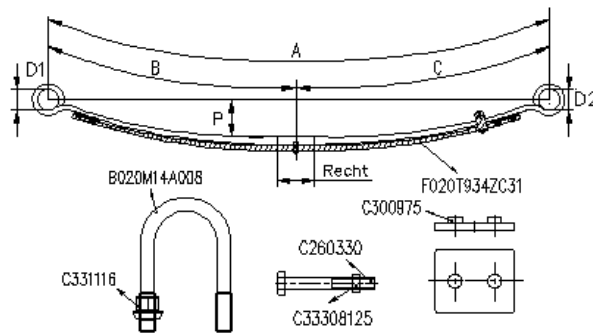
VEER RESSORT SPRING FEDER	BR LRG WID BR	BLADEN LAMES LEAVES BLATT.	B	C	D1	D2	PH FL FA SP	PAK EP TH PAK	DETAIL	MOD	OPMERKINGEN REMARKES REMARKS BEMERKUNGEN
F020T956ZA75	70	1	740	755	S12	S12	105	25	1/25	F01.70	924ZA+YC020C40022



**Kit : FK020T934ZB**

Composition :

C301056	2
C331116	8
B020M14A008	4
C300975	2
F020T934ZB31	2



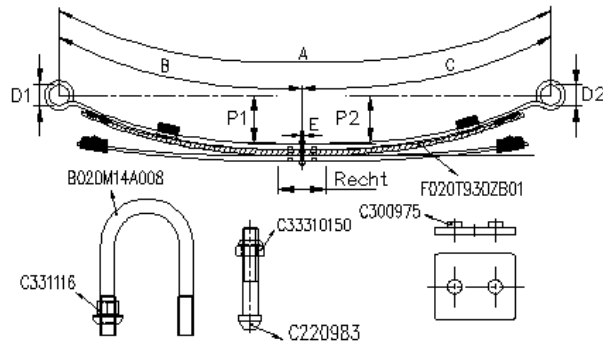
**Kit : FK020T934ZC**

Composition :

F020T934ZC31	2
B020M14A008	4
C260334	2
C300975	4
C331116	8
C33308125	2

**SERIE : SPRINTER 300-2006**

VEER RESSORT SPRING FEDER	BR LRG WID BR	BLADEN LAMES LEAVES BLATT.	B	C	D1	D2	PH FL FA SP	PAK EP TH PAK	DETAIL	MOD	OPMERKINGEN REMARKES REMARKS BEMERKUNGEN
F020T958ZA75	70	1/1	740	755	S12	S12	140	41	1/18+1/23	F01B.70	946ZA+YC020C4002



**Kit : FK020T930ZB**

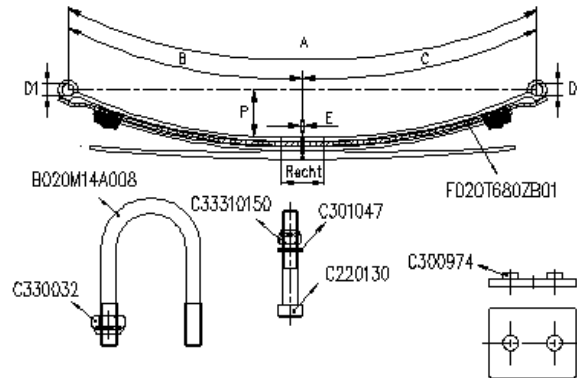
Composition :

F020T930ZB01	2
C33310150	2
C331116	8
C300975	4
B020M14A008	4
C220983	2

**SERIE : SPRINTER 400**

**achter-arrière-rear-Hinten**

VEER RESSORT SPRING FEDER	BR LRG WID BR	BLADEN LAMES LEAVES BLATT.	B	C	D1	D2	PH FL FA SP	PAK EP TH PAK	DETAIL	MOD	OPMERKINGEN REMARQUES REMARKS BEMERKUNGEN
F020T680ZA75	70	2/1	740	750	S16	S16	153	55	1/12+1/15.5+1/28	F01B.70	1e Gen



**Kit : FK020T680ZB**

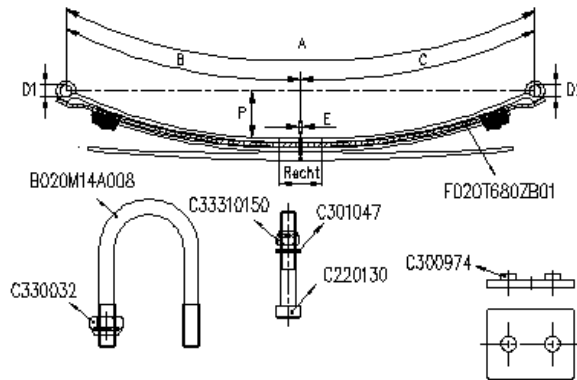
Composition :

C33310150	2
B020M14A008	4
C220130	2
C300974	4
C301047	2
F020T680ZB01	2
C330032	8



**SERIE : SPRINTER 400**

VEER RESSORT SPRING FEDER	BR LRG WID BR	BLADEN LAMES LEAVES BLATT.	B	C	D1	D2	PH FL FA SP	PAK EP TH PAK	DETAIL	MOD	OPMERKINGEN REMARQUES REMARKS BEMERKUNGEN
F020T718ZA75	70	2/1	740	750	S16	S16	126	52	1/12+1/15.5+1/25	F01B.70	1e Gen

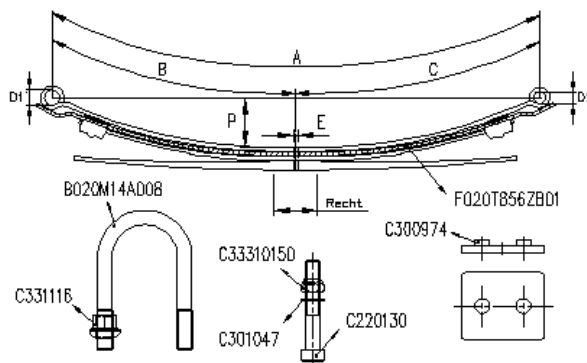


**Kit : FK020T680ZB**

Composition :

F020T680ZB01	2
B020M14A008	4
C220130	2
C300974	4
C301047	2
C330032	8
C33310150	2

VEER RESSORT SPRING FEDER	BR LRG WID BR	BLADEN LAMES LEAVES BLATT.	B	C	D1	D2	PH FL FA SP	PAK EP TH PAK	DETAIL	MOD	OPMERKINGEN REMARQUES REMARKS BEMERKUNGEN
F020T856ZA75	70	2/1	740	750	S16	S16	153	55	1/12+1/15.5+1/28	F01B.70	2e Gen (PW)



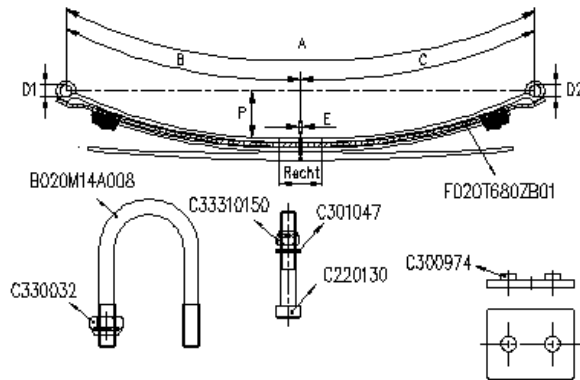
**Kit : FK020T856ZB**

Composition :

C33310150	2
C331116	8
C301047	2
C300974	4
B020M14A008	4
F020T856ZB01	2
C220130	2

**SERIE : SPRINTER 400**

VEER RESSORT SPRING FEDER	BR LRG WID BR	BLADEN LAMES LEAVES BLATT.	B	C	D1	D2	PH FL FA SP	PAK EP TH PAK	DETAIL	MOD	OPMERKINGEN REMARQUES REMARKS BEMERKUNGEN
F020T878ZA75	70	2/1	740	750	S16	S16	145	54	1/12+1/15.5+1/27	F01B.70	2e Gen (PW)

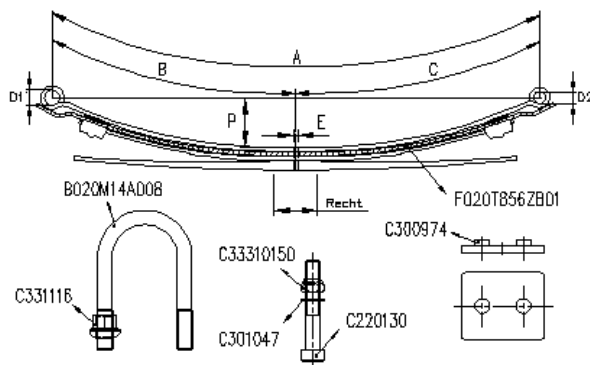


**Kit : FK020T680ZB**

Composition :

C330032	8
F020T680ZB01	2
C33310150	2
C301047	2
C300974	4
B020M14A008	4
C220130	2

VEER RESSORT SPRING FEDER	BR LRG WID BR	BLADEN LAMES LEAVES BLATT.	B	C	D1	D2	PH FL FA SP	PAK EP TH PAK	DETAIL	MOD	OPMERKINGEN REMARQUES REMARKS BEMERKUNGEN
F020T918ZA75	70	2/1	740	750	S16	S16	145	54	1/12+1/15.5+1/27	F01B.70	3e Gen (PW)



**Kit : FK020T856ZB**

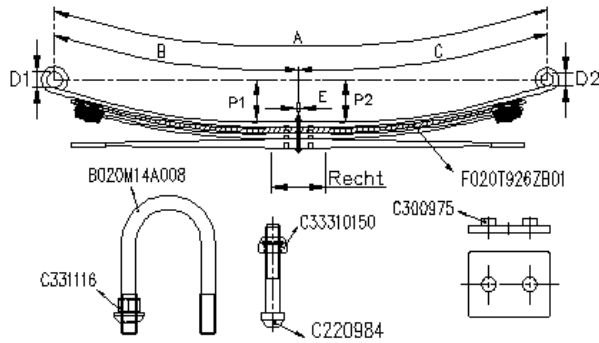
Composition :

B020M14A008	4
C220130	2
C300974	4
C301047	2
C331116	8
C33310150	2
F020T856ZB01	2

**SERIE : SPRINTER 500-2006**

**achter-arrière-rear-Hinten**

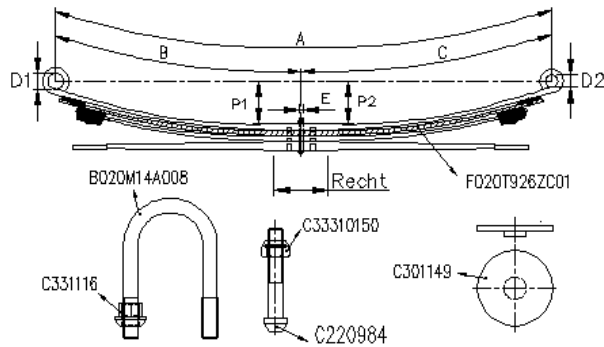
VEER RESSORT SPRING FEDER	BR LRG WID BR	BLADEN LAMES LEAVES BLATT.	B	C	D1	D2	PH FL FA SP	PAK EP TH PAK	DETAIL	MOD	OPMERKINGEN REMARKS BEMERKUNGEN
F020T926ZA75	70	2/1	740	755	S16	S16	125	61	2/17+1/27	F01B	



**Kit : FK020T926ZB**

Composition :

C331116	8
F020T926ZB01	2
C33310150	2
C220984	2
B020M14A008	4
C300975	4

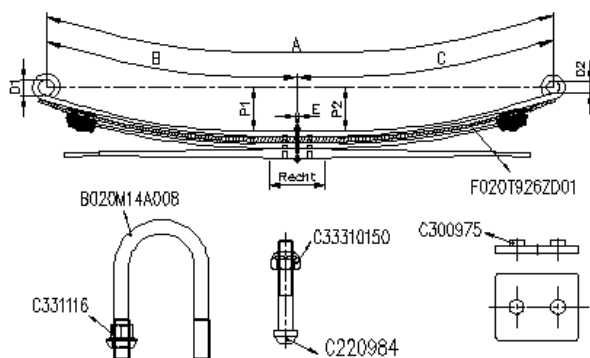


**Kit : FK020T926ZC**

Composition :

C33310150	2
F020T926ZC01	2
C331116	8
C301149	4
C220984	2
B020M14A008	4

## **SERIE : SPRINTER 500-2006**



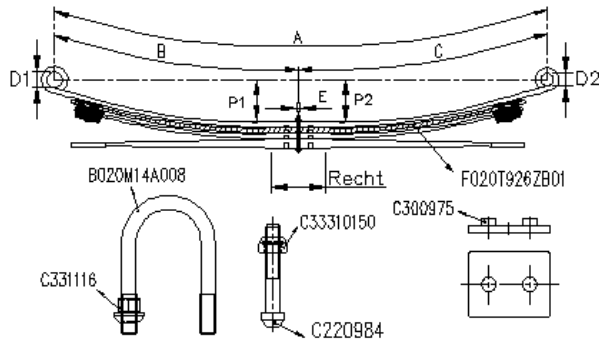
### **Kit : FK020T926ZD**

#### Composition :

C220986	2
C300975	4
C331116	8
C33310150	2
F020T926ZD01	2
B020M14A008	4

**SERIE : SPRINTER 500-2006**

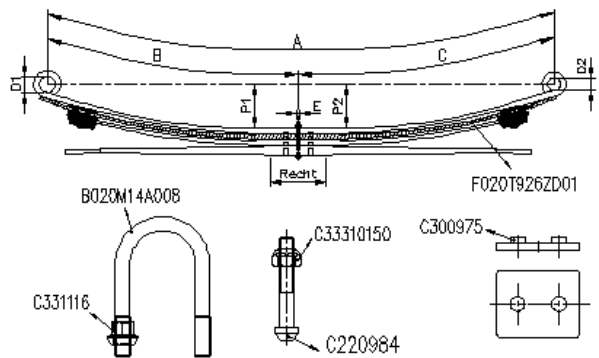
VEER RESSORT SPRING FEDER	BR LRG WID BR	BLADEN LAMES LEAVES BLATT.	B	C	D1	D2	PH FL FA SP	PAK EP TH PAK	DETAIL	MOD	OPMERKINGEN REMARKES REMARKS BEMERKUNGEN
F020T948ZA75	70	2/1	740	755	S16	S16	125	57	2/15+1/27	F01B	



**Kit : FK020T926ZB**

Composition :

C331116	8
C33310150	2
C220984	2
B020M14A008	4
C300975	4
F020T926ZB01	2



**Kit : FK020T926ZD**

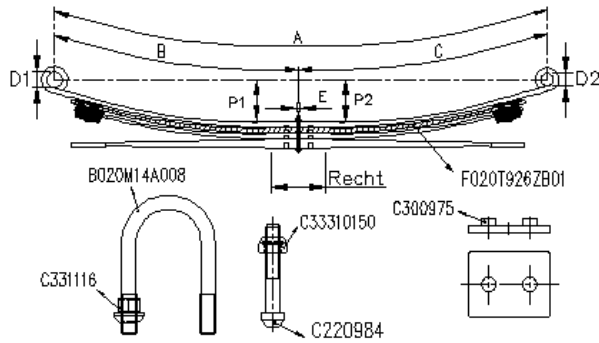
Composition :

B020M14A008	4
C220986	2
C300975	4
C331116	8
C33310150	2
F020T926ZD01	2

**SERIE : SPRINTER 600**

**achter-arrière-rear-Hinten**

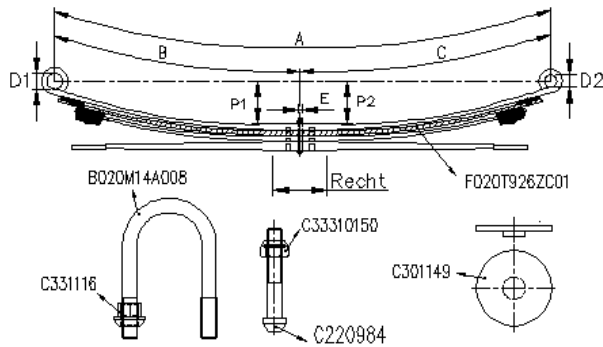
VEER RESSORT SPRING FEDER	BR LRG WID BR	BLADEN LAMES LEAVES BLATT.	B	C	D1	D2	PH FL FA SP	PAK EP TH PAK	DETAIL	MOD	OPMERKINGEN REMARKS BEMERKUNGEN
F020T920ZA75	70	2/1	740	750	S18	S16	110	66	1/14+1/18+1/34	F01B.70	2e Gen



**Kit : FK020T926ZB**

Composition :

B020M14A008	4
F020T926ZB01	2
C33310150	2
C331116	8
C220984	2
C300975	4



**Kit : FK020T926ZC**

Composition :

F020T926ZC01	2
B020M14A008	4
C220984	2
C301149	4
C331116	8
C33310150	2