



**VERSTERKINGSKITS
KIT DE RENFORT**

REINFORCEMENT KIT

WEWELER-COLAERT

tel. 00 32 57 346 200

fax. 00 32 57 346 208

Beneluxlaan 1-3 B 8970 Poperinge - Belgium

info@colaert.be

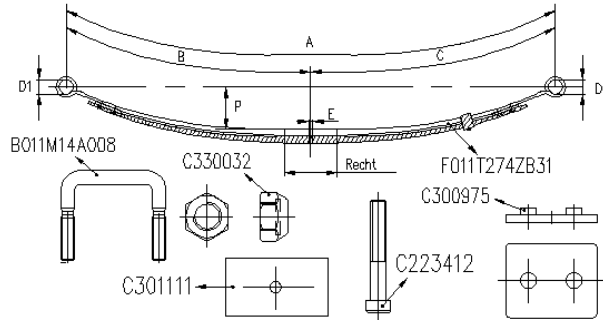
www.weweler-colaert.com



SERIE : JUMPER <2006

achter-arrière-rear-Hinten

VEER RESSORT SPRING FEDER	BR LRG WID BR	BLADEN LAMES LEAVES BLATT.	B	C	D1	D2	PH FL FA SP	PAK EP TH PAK	DETAIL	MOD	OPMERKINGEN REMARKS BEMERKUNGEN
F011T274ZA75	80	1	715	715	S16	S16	120	17	1/17	F01.70	

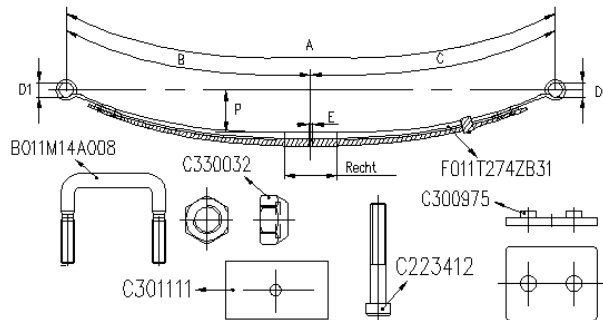


Kit : FK011T274ZB

Composition :

C223412	2
C300975	4
C301111	2
C330032	8
F011T274ZB31	2
B011M14A008	4

VEER RESSORT SPRING FEDER	BR LRG WID BR	BLADEN LAMES LEAVES BLATT.	B	C	D1	D2	PH FL FA SP	PAK EP TH PAK	DETAIL	MOD	OPMERKINGEN REMARKS BEMERKUNGEN
F011T346ZA75	80	1	715	715	S16	S16	112	17	1/17	F01.70	



Kit : FK011T274ZB

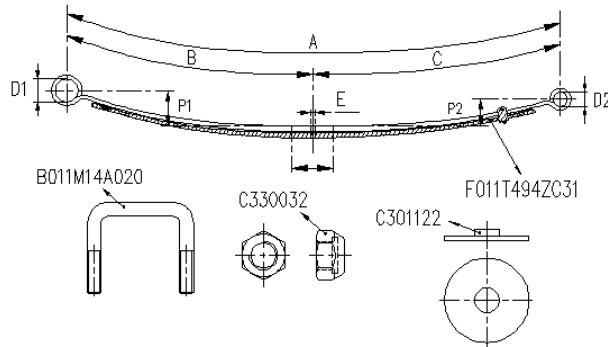
Composition :

C300975	4
F011T274ZB31	2
C301111	2
C223412	2
B011M14A008	4
C330032	8

SERIE : JUMPER 2006

achter-arrière-rear-Hinten

VEER RESSORT SPRING FEDER	BR LRG WID BR	BLADEN LAMES LEAVES BLATT.	B	C	D1	D2	PH FL FA SP	PAK EP TH PAK	DETAIL	MOD	OPMERKINGEN REMARQUES REMARKS BEMERKUNGEN
F011T494ZA75	70	1	716	716	S16	S16	88	18	1/18	F01.70	

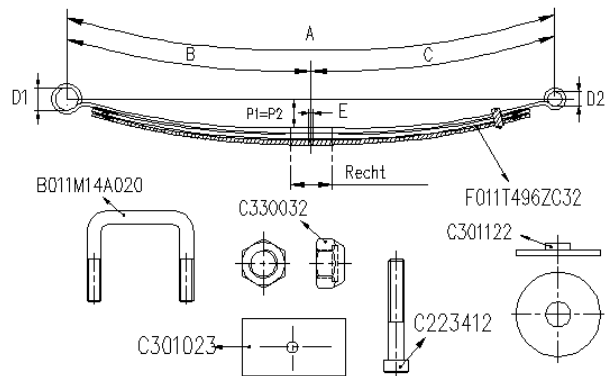


Kit : FK011T494ZC

Composition :

B011M14A020	4
C301122	4
C330032	8
F011T494ZC31	2

VEER RESSORT SPRING FEDER	BR LRG WID BR	BLADEN LAMES LEAVES BLATT.	B	C	D1	D2	PH FL FA SP	PAK EP TH PAK	DETAIL	MOD	OPMERKINGEN REMARQUES REMARKS BEMERKUNGEN
F011T496ZA75	70	2	716	716	S16	S16	88	33	2/16	F01.70	



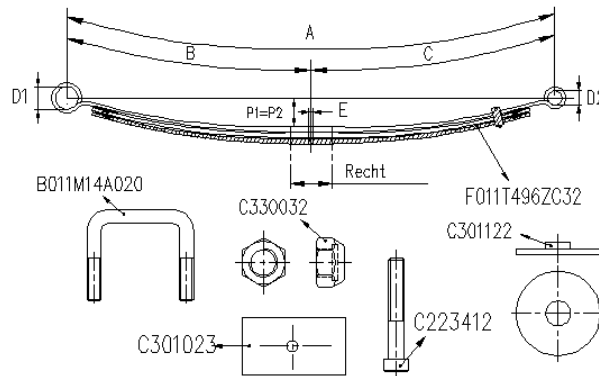
Kit : FK011T496ZC

Composition :

C223412	2
C330032	8
F011T496ZC32	2
C301023	2
B011M14A020	4
C301122	4

SERIE : JUMPER 2006

VEER RESSORT SPRING FEDER	BR LRG WID BR	BLADEN LAMES LEAVES BLATT.	B	C	D1	D2	PH FL FA SP	PAK EP TH PAK	DETAIL	MOD	OPMERKINGEN REMARQUES REMARKS BEMERKUNGEN
F011T498ZA75	70	2	716	716	S16	S16	88	37	2/18	F01.70	

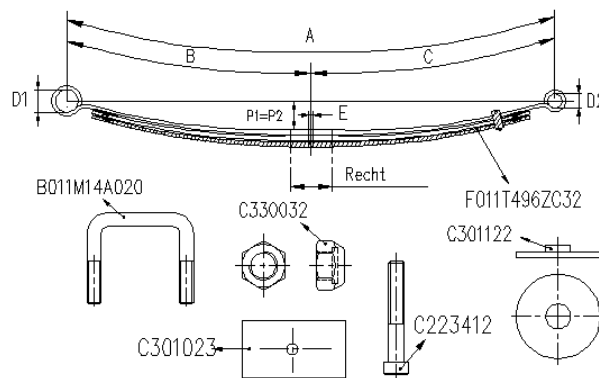


Kit : FK011T496ZC

Composition :

F011T496ZC32	2
B011M14A020	4
C223412	2
C301023	2
C301122	4
C330032	8

VEER RESSORT SPRING FEDER	BR LRG WID BR	BLADEN LAMES LEAVES BLATT.	B	C	D1	D2	PH FL FA SP	PAK EP TH PAK	DETAIL	MOD	OPMERKINGEN REMARQUES REMARKS BEMERKUNGEN
F011T500ZA75	70	2	716	716	S16	S16	108	37	2/18	F01.70	



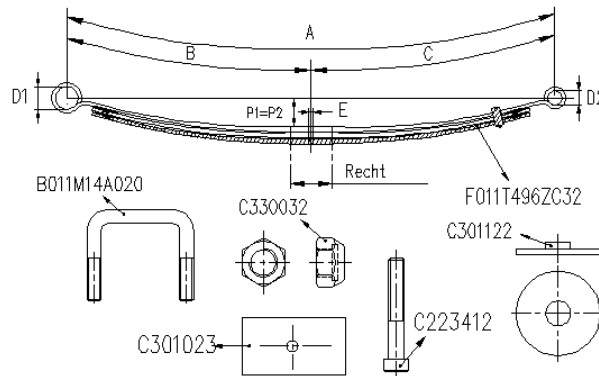
Kit : FK011T496ZC

Composition :

F011T496ZC32	2
C330032	8
C301122	4
C301023	2
B011M14A020	4
C223412	2

SERIE : JUMPER 2006

VEER RESSORT SPRING FEDER	BR LRG WID BR	BLADEN LAMES LEAVES BLATT.	B	C	D1	D2	PH FL FA SP	PAK EP TH PAK	DETAIL	MOD	OPMERKINGEN REMARKES REMARKS BEMERKUNGEN
F011T502ZA75	70	2	716	716	S16	S16	125	37	2/18	F01.70	



Kit : FK011T496ZC

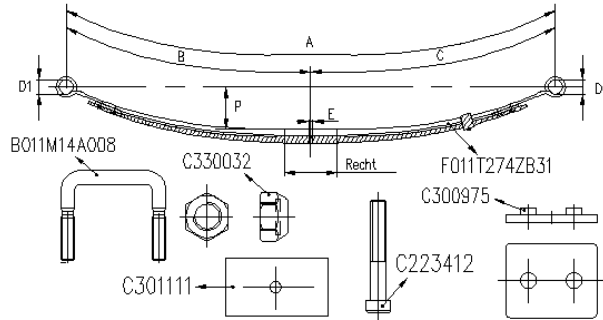
Composition :

C330032	8
C223412	2
F011T496ZC32	2
C301023	2
B011M14A020	4
C301122	4

SERIE : DUCATO 1994

achter-arrière-rear-Hinten

VEER RESSORT SPRING FEDER	BR LRG WID BR	BLADEN LAMES LEAVES BLATT.	B	C	D1	D2	PH FL FA SP	PAK EP TH PAK	DETAIL	MOD	OPMERKINGEN REMARKS BEMERKUNGEN
F011T274ZA75	80	1	715	715	S16	S16	120	17	1/17	F01.70	

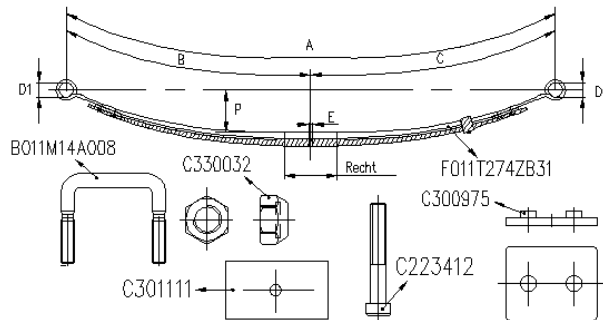


Kit : FK011T274ZB

Composition :

C223412	2
C330032	8
F011T274ZB31	2
B011M14A008	4
C300975	4
C301111	2

VEER RESSORT SPRING FEDER	BR LRG WID BR	BLADEN LAMES LEAVES BLATT.	B	C	D1	D2	PH FL FA SP	PAK EP TH PAK	DETAIL	MOD	OPMERKINGEN REMARKS BEMERKUNGEN
F011T346ZA75	80	1	715	715	S16	S16	112	17	1/17	F01.70	



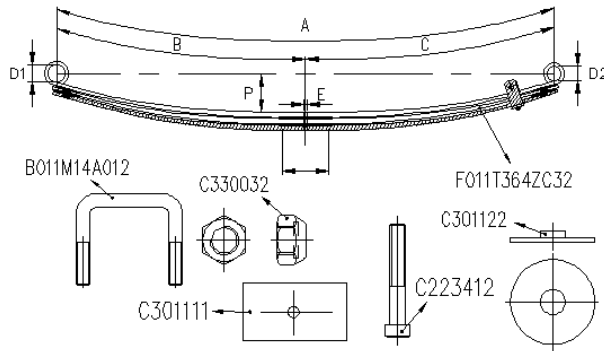
Kit : FK011T274ZB

Composition :

F011T274ZB31	2
B011M14A008	4
C223412	2
C300975	4
C301111	2
C330032	8

SERIE : DUCATO 1994

VEER RESSORT SPRING FEDER	BR LRG WID BR	BLADEN LAMES LEAVES BLATT.	B	C	D1	D2	PH FL FA SP	PAK EP TH PAK	DETAIL	MOD	OPMERKINGEN REMARQUES REMARKS BEMERKUNGEN
F011T364ZA75	80	2	715	715	S16	S16	107	32	2/16	F01.10	OE : 2x17 mm

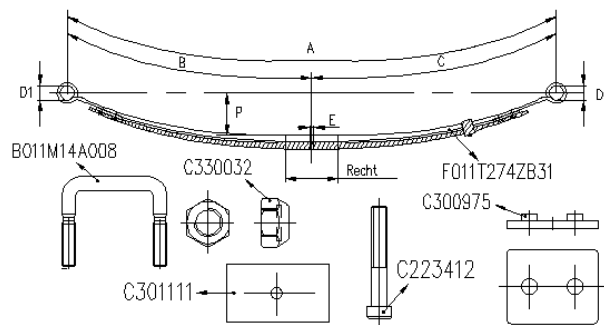


Kit : FK011T364ZC

Composition :

F011T364ZC32	2
C330032	8
C301122	4
C301111	1
B011M14A012	4
C223412	2

VEER RESSORT SPRING FEDER	BR LRG WID BR	BLADEN LAMES LEAVES BLATT.	B	C	D1	D2	PH FL FA SP	PAK EP TH PAK	DETAIL	MOD	OPMERKINGEN REMARQUES REMARKS BEMERKUNGEN
F011T468ZA75	80	1	715	715	S16	S16	120	17	1/17	F01.70	



Kit : FK011T274ZB

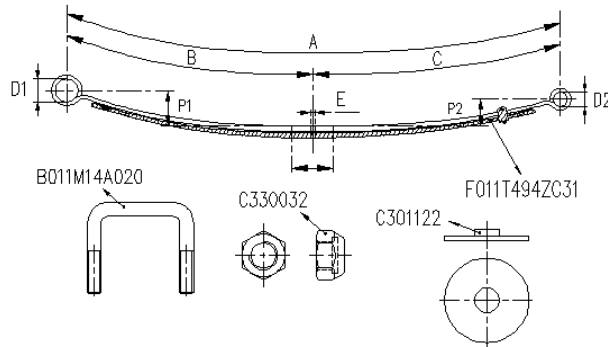
Composition :

C223412	2
C330032	8
F011T274ZB31	2
B011M14A008	4
C300975	4
C301111	2

SERIE : DUCATO 2006

achter-arrière-rear-Hinten

VEER RESSORT SPRING FEDER	BR LRG WID BR	BLADEN LAMES LEAVES BLATT.	B	C	D1	D2	PH FL FA SP	PAK EP TH PAK	DETAIL	MOD	OPMERKINGEN REMARQUES REMARKS BEMERKUNGEN
F011T494ZA75	70	1	716	716	S16	S16	88	18	1/18	F01.70	

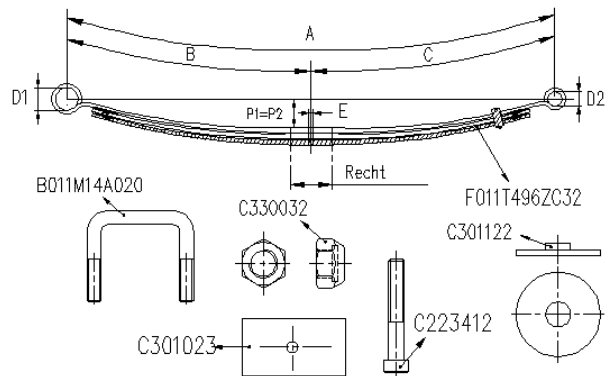


Kit : FK011T494ZC

Composition :

B011M14A020	4
C301122	4
C330032	8
F011T494ZC31	2

VEER RESSORT SPRING FEDER	BR LRG WID BR	BLADEN LAMES LEAVES BLATT.	B	C	D1	D2	PH FL FA SP	PAK EP TH PAK	DETAIL	MOD	OPMERKINGEN REMARQUES REMARKS BEMERKUNGEN
F011T496ZA75	70	2	716	716	S16	S16	88	33	2/16	F01.70	



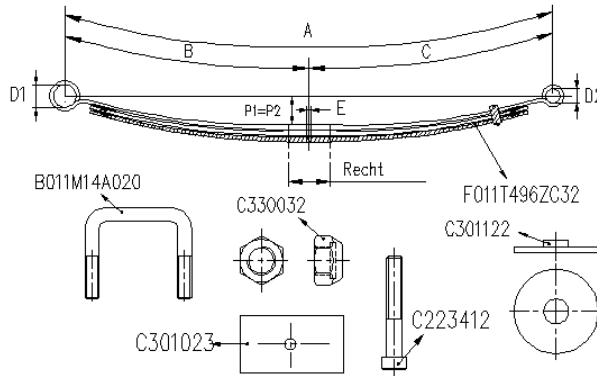
Kit : FK011T496ZC

Composition :

B011M14A020	4
F011T496ZC32	2
C330032	8
C301122	4
C223412	2
C301023	2

SERIE : DUCATO 2006

VEER RESSORT SPRING FEDER	BR LRG WID BR	BLADEN LAMES LEAVES BLATT.	B	C	D1	D2	PH FL FA SP	PAK EP TH PAK	DETAIL	MOD	OPMERKINGEN REMARQUES REMARKS BEMERKUNGEN
F011T498ZA75	70	2	716	716	S16	S16	88	37	2/18	F01.70	

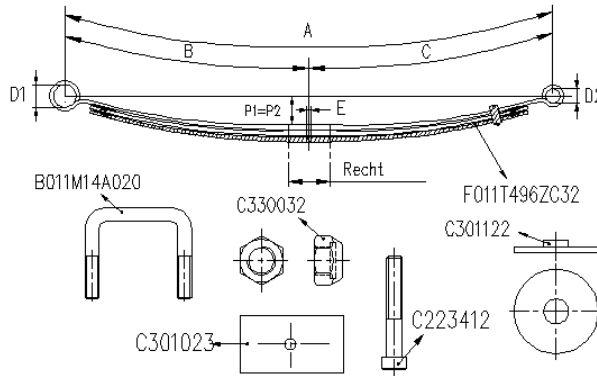


Kit : FK011T496ZC

Composition :

C301122	4
F011T496ZC32	2
C330032	8
C301023	2
B011M14A020	4
C223412	2

VEER RESSORT SPRING FEDER	BR LRG WID BR	BLADEN LAMES LEAVES BLATT.	B	C	D1	D2	PH FL FA SP	PAK EP TH PAK	DETAIL	MOD	OPMERKINGEN REMARQUES REMARKS BEMERKUNGEN
F011T500ZA75	70	2	716	716	S16	S16	108	37	2/18	F01.70	



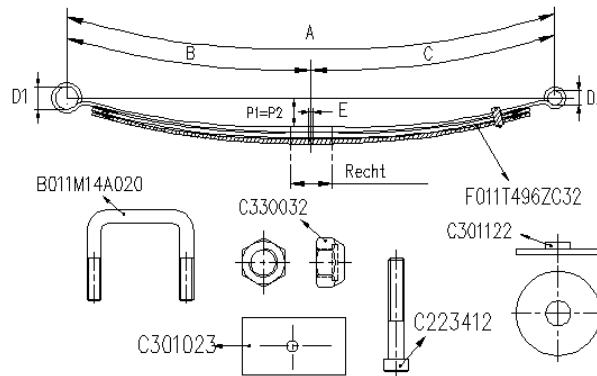
Kit : FK011T496ZC

Composition :

C330032	8
F011T496ZC32	2
C301122	4
C301023	2
C223412	2
B011M14A020	4

SERIE : DUCATO 2006

VEER RESSORT SPRING FEDER	BR LRG WID BR	BLADEN LAMES LEAVES BLATT.	B	C	D1	D2	PH FL FA SP	PAK EP TH PAK	DETAIL	MOD	OPMERKINGEN REMARKES REMARKS BEMERKUNGEN
F011T502ZA75	70	2	716	716	S16	S16	125	37	2/18	F01.70	



Kit : FK011T496ZC

Composition :

C223412	2
C301023	2
C301122	4
C330032	8
F011T496ZC32	2
B011M14A020	4

SERIE : TRANSIT <1991**achter-arrière-rear-Hinten**

VEER RESSORT SPRING FEDER	BR LRG WID BR	BLADEN LAMES LEAVES BLATT.	B	C	D1	D2	PH FL FA SP	PAK EP TH PAK	DETAIL	MOD	OPMERKINGEN REMARKES BEMERKUNGEN
F037T172ZA75	60	1	685	685	S18	S16	105	20	1/20	F01.60	Silentbloc

Kit : FK037T172ZBComposition :

C290021	8
C301057	4
C220122	2
B037M12A002	4
F037T172ZB31	2

SERIE : TRANSIT 1991

achter-arrière-rear-Hinten

VEER RESSORT SPRING FEDER	BR LRG WID BR	BLADEN LAMES LEAVES BLATT.	B	C	D1	D2	PH FL FA SP	PAK EP TH PAK	DETAIL	MOD	OPMERKINGEN REMARQUES REMARKS BEMERKUNGEN
F037T176ZA75	60	2/1	675	695	S18	S16	165	46	2/11+1/23	F01B.60	

Kit : FK037T176ZB

Composition :

B037M14A005	4
C223307	2
C300655	4
C330032	8
F037T176ZB01	2

VEER RESSORT SPRING FEDER	BR LRG WID BR	BLADEN LAMES LEAVES BLATT.	B	C	D1	D2	PH FL FA SP	PAK EP TH PAK	DETAIL	MOD	OPMERKINGEN REMARQUES REMARKS BEMERKUNGEN
F037T218ZA75	60	2/1	675	695	S18	S16	160	45	2/11+1/23	F01B.60	

Kit : FK037T176ZB

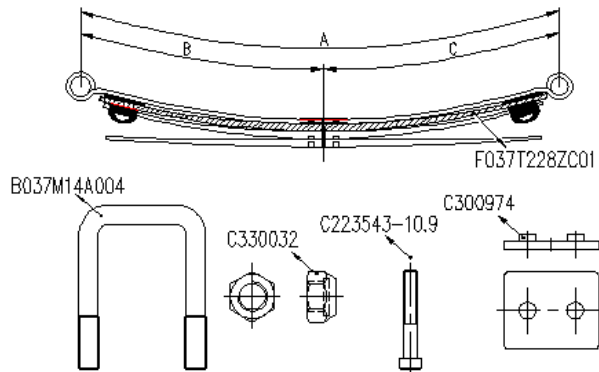
Composition :

C223307	2
F037T176ZB01	2
C300655	4
B037M14A005	4
C330032	8

SERIE : TRANSIT 1999

achter-arrière-rear-Hinten

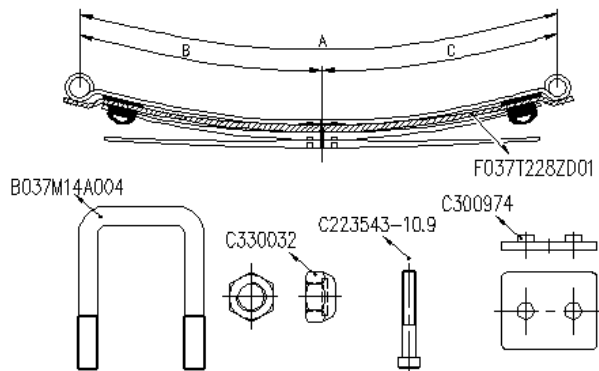
VEER RESSORT SPRING FEDER	BR LRG WID BR	BLADEN LAMES LEAVES BLATT.	B	C	D1	D2	PH FL FA SP	PAK EP TH PAK	DETAIL	MOD	OPMERKINGEN REMARKS BEMERKUNGEN
F037T228ZA75	60	2/1	700	680	S16	S14	93	57	1/13+1/16+1/24	F01B.70	



Kit : FK037T228ZC

Composition :

F037T228ZC01	2
B037M14A004	4
C223543-10.9	2
C300974	4
C330032	8



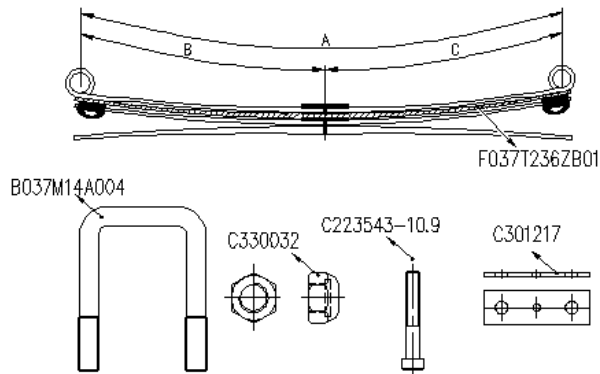
Kit : FK037T228ZD

Composition :

F037T228ZD01	2
C330032	8
B037M14A004	4
C223543-10.9	2
C300974	4

SERIE : TRANSIT 1999

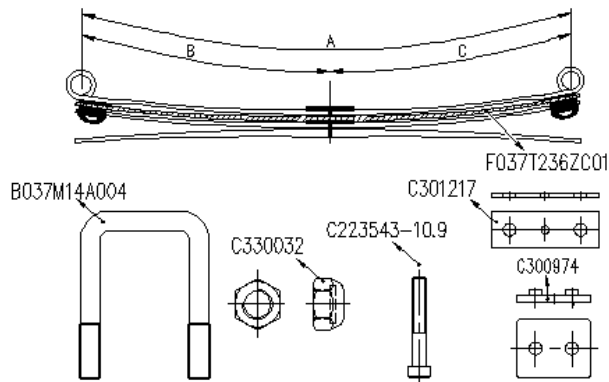
VEER RESSORT SPRING FEDER	BR LRG WID BR	BLADEN LAMES LEAVES BLATT.	B	C	D1	D2	PH FL FA SP	PAK EP TH PAK	DETAIL	MOD	OPMERKINGEN REMARKES REMARKS BEMERKUNGEN
F037T236ZA75	60	2/1	700	680	S16	S14	72	64	2/17+1/25	F01B	



Kit : FK037T236ZB

Composition :

F037T236ZB01	2
B037M14A004	4
C223543-10.9	2
C301217	2
C330032	8



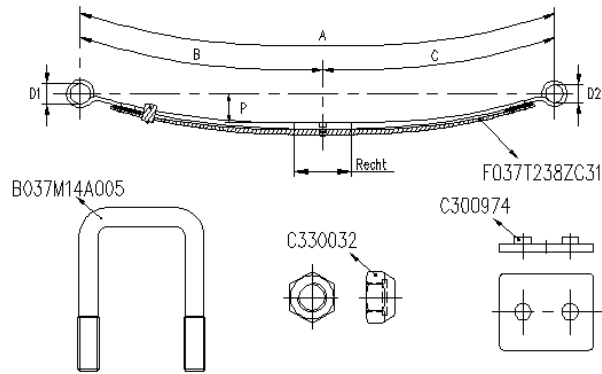
Kit : FK037T236ZC

Composition :

F037T236ZC01	2
C330032	8
C301217	2
C300974	4
B037M14A004	4
C223543-10.9	2

SERIE : TRANSIT 1999

VEER RESSORT SPRING FEDER	BR LRG WID BR	BLADEN LAMES LEAVES BLATT.	B	C	D1	D2	PH FL FA SP	PAK EP TH PAK	DETAIL	MOD	OPMERKINGEN REMARQUES REMARKS BEMERKUNGEN
F037T238ZA75	60	1	700	670	S16	S14	80	23	1/21	F01.70	

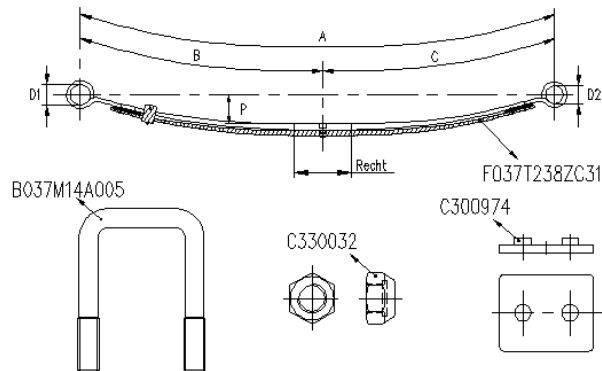


Kit : FK037T238ZC

Composition :

C300974	4
C330032	8
F037T238ZC31	2
B037M14A005	4

VEER RESSORT SPRING FEDER	BR LRG WID BR	BLADEN LAMES LEAVES BLATT.	B	C	D1	D2	PH FL FA SP	PAK EP TH PAK	DETAIL	MOD	OPMERKINGEN REMARQUES REMARKS BEMERKUNGEN
F037T240ZA75	60	1	695	675	S16	S14	100	23	1/21	F01.70	



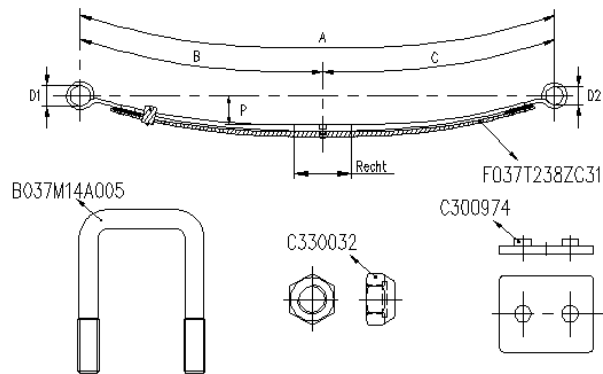
Kit : FK037T238ZC

Composition :

B037M14A005	4
C300974	4
C330032	8
F037T238ZC31	2

SERIE : TRANSIT 1999

VEER RESSORT SPRING FEDER	BR LRG WID BR	BLADEN LAMES LEAVES BLATT.	B	C	D1	D2	PH FL FA SP	PAK EP TH PAK	DETAIL	MOD	OPMERKINGEN REMARKES REMARKS BEMERKUNGEN
F037T242ZA75	60	1	695	675	S16	S14	100	22	1/20	F01.70	



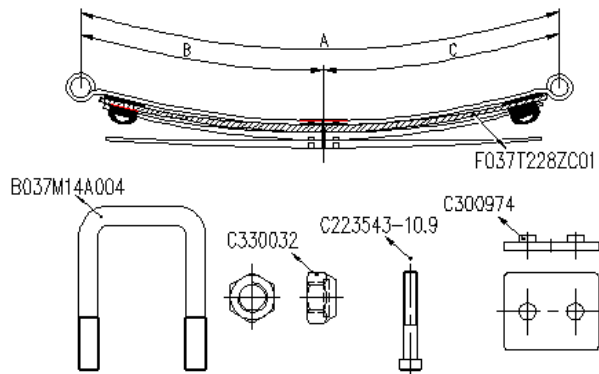
Kit : FK037T238ZC

Composition :

C300974	4
C330032	8
B037M14A005	4
F037T238ZC31	2

SERIE : TRANSIT 1999

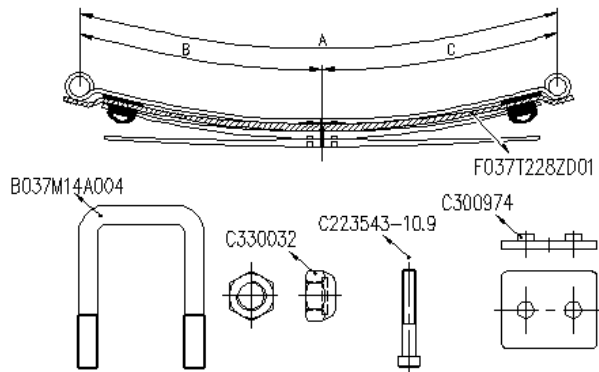
VEER RESSORT SPRING FEDER	BR LRG WID BR	BLADEN LAMES LEAVES BLATT.	B	C	D1	D2	PH FL FA SP	PAK EP TH PAK	DETAIL	MOD	OPMERKINGEN REMARQUES REMARKS BEMERKUNGEN
F037T246ZA75	60	2/1	700	680	S16	S14	115	57	1/12+1/16+1/24	F01B.70	



Kit : FK037T228ZC

Composition :

F037T228ZC01	2
B037M14A004	4
C223543-10.9	2
C300974	4
C330032	8



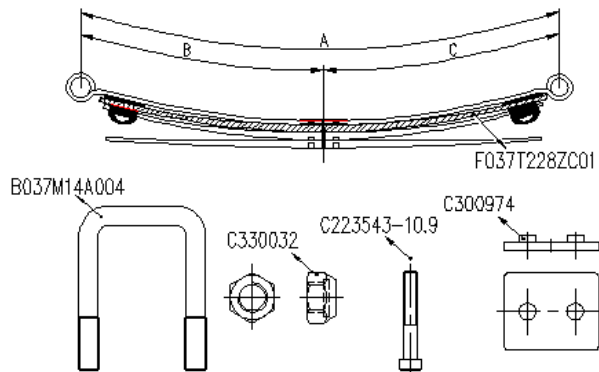
Kit : FK037T228ZD

Composition :

F037T228ZD01	2
C330032	8
B037M14A004	4
C223543-10.9	2
C300974	4

SERIE : TRANSIT 1999

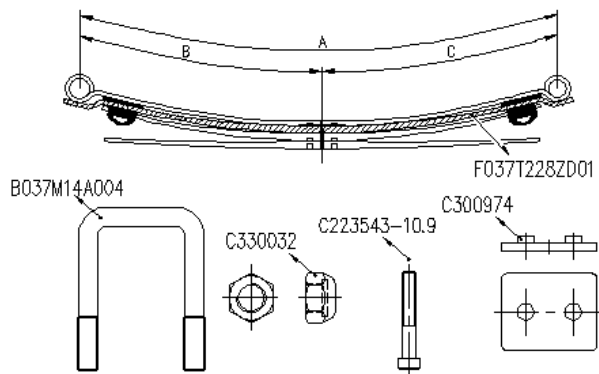
VEER RESSORT SPRING FEDER	BR LRG WID BR	BLADEN LAMES LEAVES BLATT.	B	C	D1	D2	PH FL FA SP	PAK EP TH PAK	DETAIL	MOD	OPMERKINGEN REMARQUES REMARKS BEMERKUNGEN
F037T248ZA75	60	2/1	700	680	S16	S14			1/11+1/15+1/20	F01B.70	



Kit : FK037T228ZC

Composition :

B037M14A004	4
C223543-10.9	2
C300974	4
C330032	8
F037T228ZC01	2



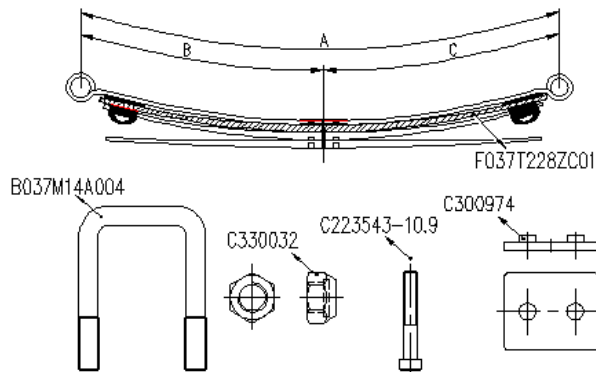
Kit : FK037T228ZD

Composition :

B037M14A004	4
C223543-10.9	2
C300974	4
C330032	8
F037T228ZD01	2

SERIE : TRANSIT 1999

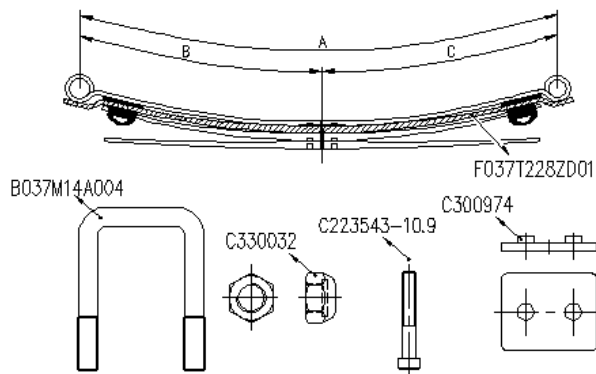
VEER RESSORT SPRING FEDER	BR LRG WID BR	BLADEN LAMES LEAVES BLATT.	B	C	D1	D2	PH FL FA SP	PAK EP TH PAK	DETAIL	MOD	OPMERKINGEN REMARQUES REMARKS BEMERKUNGEN
F037T256ZA75	60	2/1	695	685	S16	S14	130	57	1/13+1/16+1/23	F01B.70	



Kit : FK037T228ZC

Composition :

C300974	4
C330032	8
C223543-10.9	2
B037M14A004	4
F037T228ZC01	2



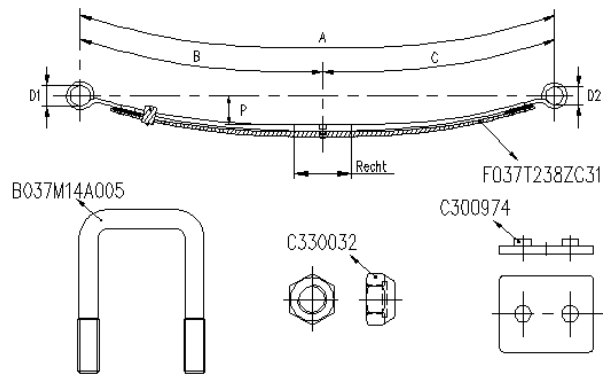
Kit : FK037T228ZD

Composition :

B037M14A004	4
C223543-10.9	2
C300974	4
C330032	8
F037T228ZD01	2

SERIE : TRANSIT 1999

VEER RESSORT SPRING FEDER	BR LRG WID BR	BLADEN LAMES LEAVES BLATT.	B	C	D1	D2	PH FL FA SP	PAK EP TH PAK	DETAIL	MOD	OPMERKINGEN REMARKES REMARKS BEMERKUNGEN
F037T258ZA75	60	1	695	675	S16	S14	78	25	1/23	F01.70	



Kit : FK037T238ZC

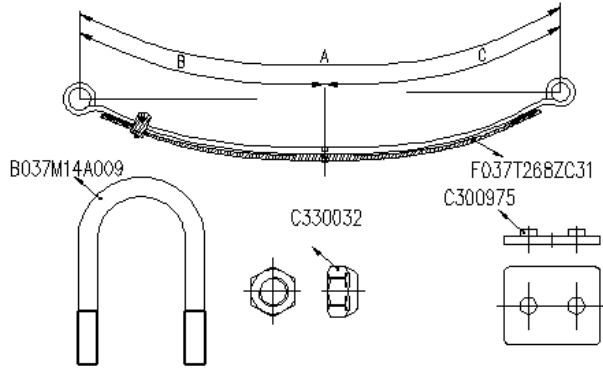
Composition :

B037M14A005	4
F037T238ZC31	2
C300974	4
C330032	8

SERIE : TRANSIT 2006

achter-arrière-rear-Hinten

VEER RESSORT SPRING FEDER	BR LRG WID BR	BLADEN LAMES LEAVES BLATT.	B	C	D1	D2	PH FL FA SP	PAK EP TH PAK	DETAIL	MOD	OPMERKINGEN REMARQUES REMARKS BEMERKUNGEN
F037T268ZA75	75	1	695	675	S16	S14	123	20	1/20	F01.70	

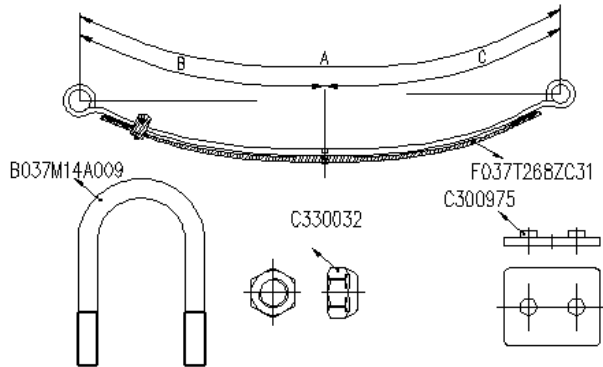


Kit : FK037T268ZC

Composition :

B037M14A009	4
C300975	4
C330032	8
F037T268ZC31	2

VEER RESSORT SPRING FEDER	BR LRG WID BR	BLADEN LAMES LEAVES BLATT.	B	C	D1	D2	PH FL FA SP	PAK EP TH PAK	DETAIL	MOD	OPMERKINGEN REMARQUES REMARKS BEMERKUNGEN
F037T272ZA75	75	1	695	675	S16	S14	135	22	1/22	F01.70	



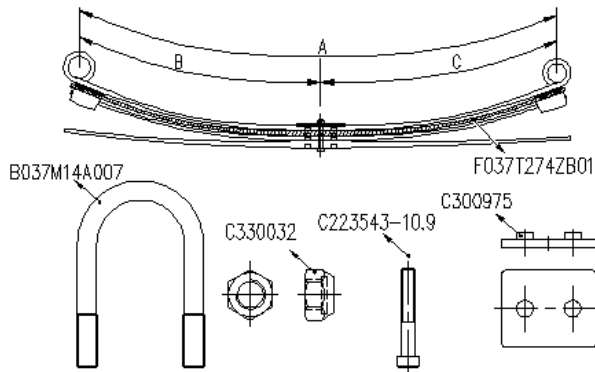
Kit : FK037T268ZC

Composition :

C300975	4
C330032	8
B037M14A009	4
F037T268ZC31	2

SERIE : TRANSIT 2006

VEER RESSORT SPRING FEDER	BR LRG WID BR	BLADEN LAMES LEAVES BLATT.	B	C	D1	D2	PH FL FA SP	PAK EP TH PAK	DETAIL	MOD	OPMERKINGEN REMARKES REMARKS BEMERKUNGEN
F037T274ZA75	75	2/1	695	675	S16	S14	150	51	2/14+1/20	F01B	

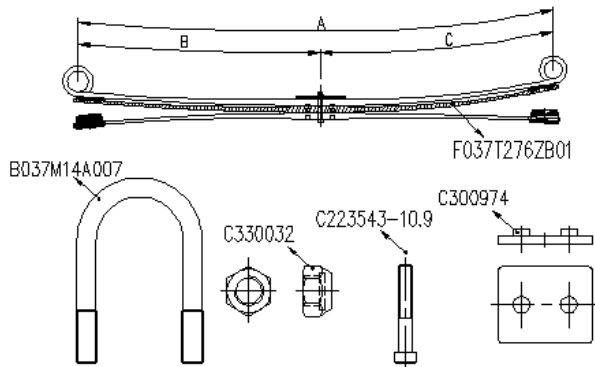


Kit : FK037T274ZB

Composition :

B037M14A007	4
C223543-10.9	2
C300975	4
C330032	8
F037T274ZB01	2

VEER RESSORT SPRING FEDER	BR LRG WID BR	BLADEN LAMES LEAVES BLATT.	B	C	D1	D2	PH FL FA SP	PAK EP TH PAK	DETAIL	MOD	OPMERKINGEN REMARKES REMARKS BEMERKUNGEN
F037T276ZA75	60	1/1	695	675	S16	S14	63	44	1/23+1/18	F01B	



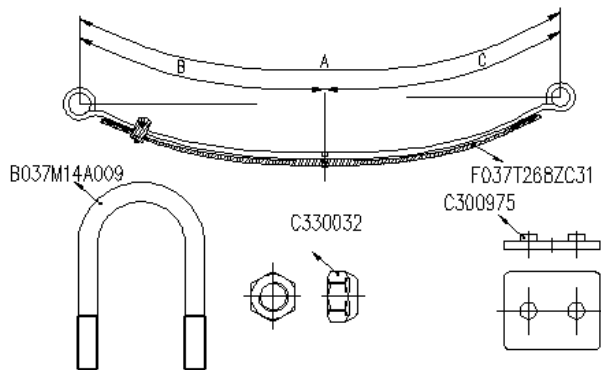
Kit : FK037T276ZB

Composition :

C223543-10.9	2
F037T276ZB01	2
C300974	4
B037M14A007	4
C330032	8

SERIE : TRANSIT 2006

VEER RESSORT SPRING FEDER	BR LRG WID BR	BLADEN LAMES LEAVES BLATT.	B	C	D1	D2	PH FL FA SP	PAK EP TH PAK	DETAIL	MOD	OPMERKINGEN REMARQUES REMARKS BEMERKUNGEN
F037T278ZA75	75	1	695	675	S16	S14	131	20	1/20	F01.70	

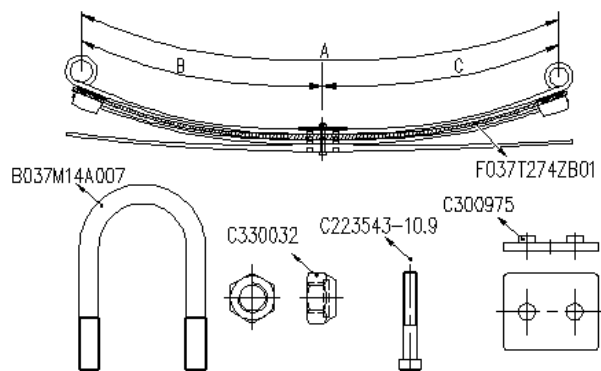


Kit : FK037T268ZC

Composition :

B037M14A009	4
C300975	4
C330032	8
F037T268ZC31	2

VEER RESSORT SPRING FEDER	BR LRG WID BR	BLADEN LAMES LEAVES BLATT.	B	C	D1	D2	PH FL FA SP	PAK EP TH PAK	DETAIL	MOD	OPMERKINGEN REMARQUES REMARKS BEMERKUNGEN
F037T282ZA75	75	2/1	695	675	S16	S14		0		F01B	



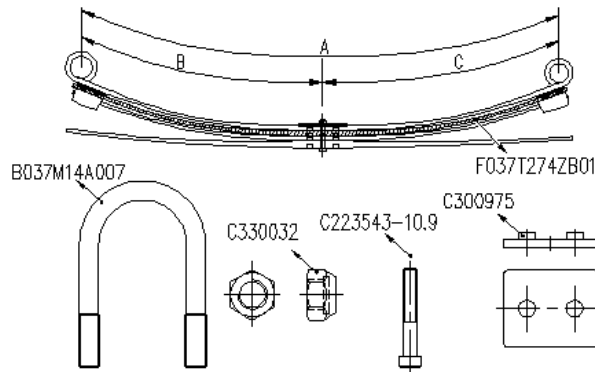
Kit : FK037T274ZB

Composition :

B037M14A007	4
F037T274ZB01	2
C330032	8
C223543-10.9	2
C300975	4

SERIE : TRANSIT 2006

VEER RESSORT SPRING FEDER	BR LRG WID BR	BLADEN LAMES LEAVES BLATT.	B	C	D1	D2	PH FL FA SP	PAK EP TH PAK	DETAIL	MOD	OPMERKINGEN REMARQUES REMARKS BEMERKUNGEN
F037T284ZA75	75	2/1	695	675	S16	S14	123	54	1/14+1/15+1/22	F01B	



Kit : FK037T274ZB

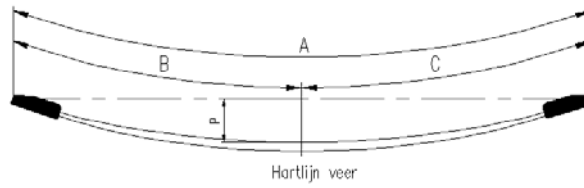
Composition :

B037M14A007	4
C223543-10.9	2
C300975	4
C330032	8
F037T274ZB01	2

SERIE : DAILY

voor-avant-front-Vorne

VEER RESSORT SPRING FEDER	BR LRG WID BR	BLADEN LAMES LEAVES BLATT.	B	C	D1	D2	PH FL FA SP	PAK EP TH PAK	DETAIL	MOD	OPMERKINGEN REMARQUES REMARKS BEMERKUNGEN
F011T349ZA70	80	1	682	682	--	--	90	20	1/20	F08T1	transversal



Kit : FK011T349ZB

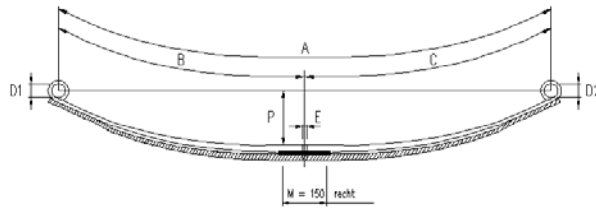
Composition :

F011T349ZB70 2

SERIE : DAILY

achter-arrière-rear-Hinten

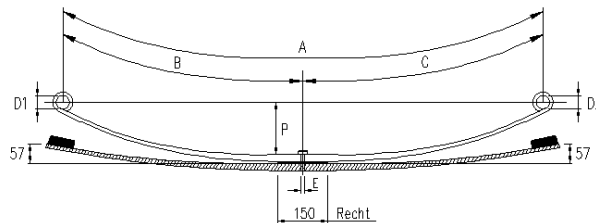
VEER RESSORT SPRING FEDER	BR LRG WID BR	BLADEN LAMES LEAVES BLATT.	B	C	D1	D2	PH FL FA SP	PAK EP TH PAK	DETAIL	MOD	OPMERKINGEN REMARKS BEMERKUNGEN
F011T352ZA75	80	1	750	750	S16	S16	155	23	1/23	F01	



Kit : FK011T352ZB

Composition :

B011M12A014	4
C223590	2
C301111	2
C330022	8
F011T352ZB01	2

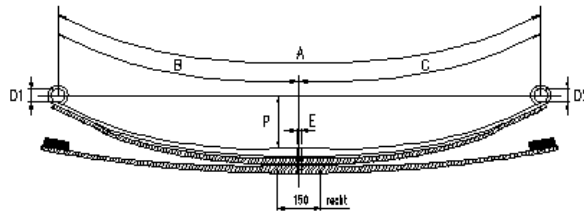


Kit : FK011T352ZC

Composition :

C330022	8
F011T352ZC01	2
C301105	4
C301111	2
B011M12A014	4
C223590	2

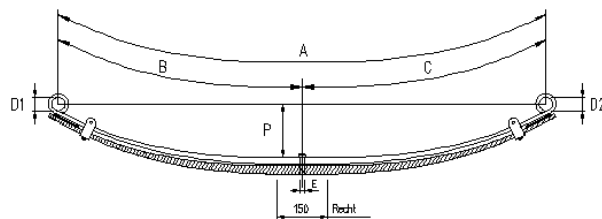
SERIE : DAILY



Kit : FK011T352ZD

Composition :

B011M12A014	4
C223159	2
C301105	4
C301111	4
C330022	8
F011T352ZB01	2
F011T352ZC01	2



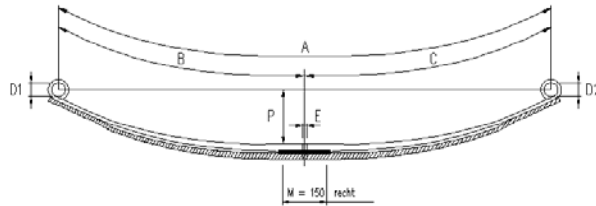
Kit : FK011T352ZE

Composition :

C330022	8
F011T352ZE31	2
B011M12A014	4
C300907	4
C223590	2
C301111	2

SERIE : DAILY

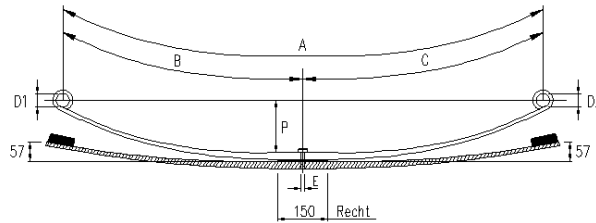
VEER RESSORT SPRING FEDER	BR LRG WID BR	BLADEN LAMES LEAVES BLATT.	B	C	D1	D2	PH FL FA SP	PAK EP TH PAK	DETAIL	MOD	OPMERKINGEN REMARQUES REMARKS BEMERKUNGEN
F011T410ZA75	80	1	750	750	S16	S16	150	24	1/24	F01	



Kit : FK011T352ZB

Composition :

C223590	2
C301111	2
C330022	8
F011T352ZB01	2
B011M12A014	4

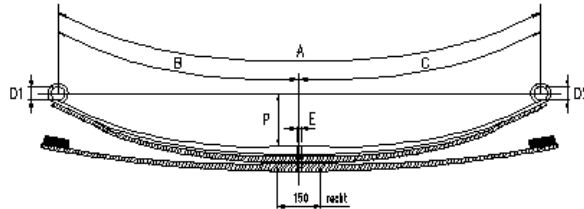


Kit : FK011T352ZC

Composition :

B011M12A014	4
F011T352ZC01	2
C330022	8
C301111	2
C223590	2
C301105	4

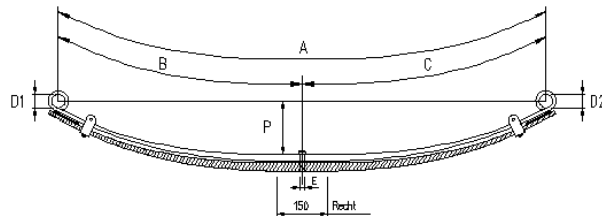
SERIE : DAILY



Kit : FK011T352ZD

Composition :

C330022	8
F011T352ZC01	2
F011T352ZB01	2
C301105	4
C223159	2
B011M12A014	4
C301111	4



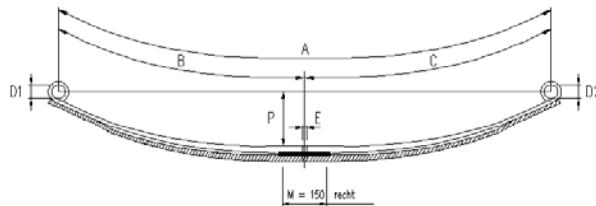
Kit : FK011T352ZE

Composition :

C330022	8
B011M12A014	4
F011T352ZE31	2
C301111	2
C300907	4
C223590	2

SERIE : DAILY

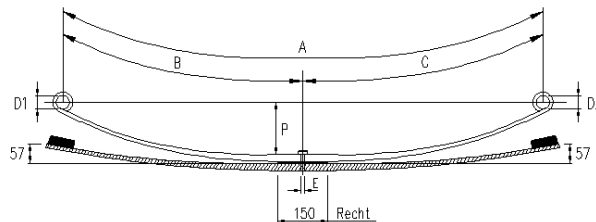
VEER RESSORT SPRING FEDER	BR LRG WID BR	BLADEN LAMES LEAVES BLATT.	B	C	D1	D2	PH FL FA SP	PAK EP TH PAK	DETAIL	MOD	OPMERKINGEN REMARQUES REMARKS BEMERKUNGEN
F011T418ZA75	80	1	750	750	N16	N16	137	24	1/24	F01	



Kit : FK011T352ZB

Composition :

C223590	2
C301111	2
C330022	8
F011T352ZB01	2
B011M12A014	4

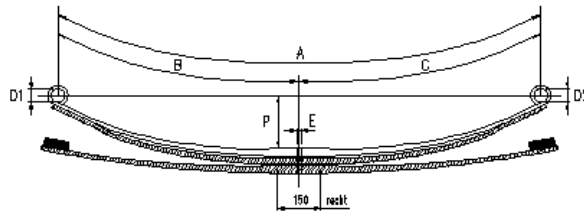


Kit : FK011T352ZC

Composition :

C301111	2
C330022	8
C223590	2
B011M12A014	4
F011T352ZC01	2
C301105	4

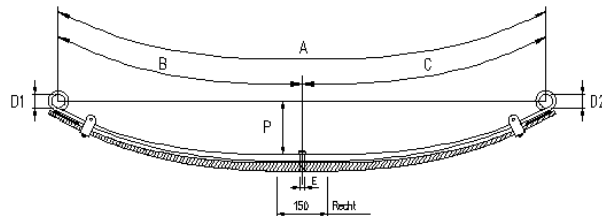
SERIE : DAILY



Kit : FK011T352ZD

Composition :

F011T352ZB01	2
F011T352ZC01	2
C330022	8
C301111	4
C301105	4
C223159	2
B011M12A014	4



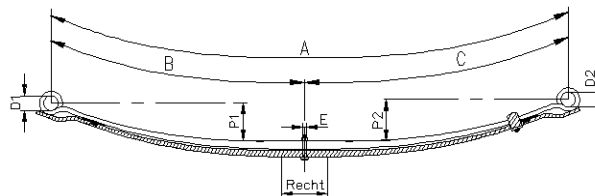
Kit : FK011T352ZE

Composition :

C223590	2
C300907	4
C301111	2
C330022	8
F011T352ZE31	2
B011M12A014	4

SERIE : DAILY

VEER RESSORT SPRING FEDER	BR LRG WID BR	BLADEN LAMES LEAVES BLATT.	B	C	D1	D2	PH FL FA SP	PAK EP TH PAK	DETAIL	MOD	OPMERKINGEN REMARQUES REMARKS BEMERKUNGEN
F011T478ZA75	80	1	720	750	N16	N16	108	24	1/24	F01.70	



Kit : FK011T478ZB

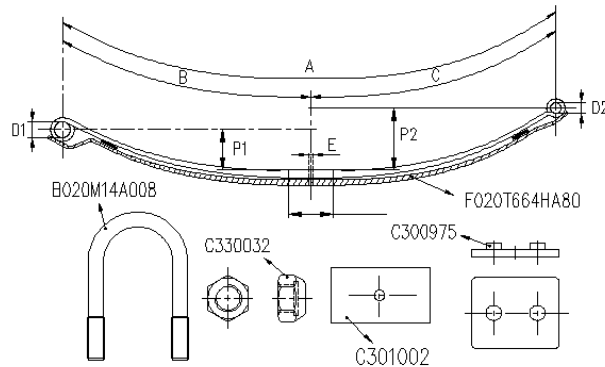
Composition :

C330032	8
F011T478ZB31	2
C223632	2
B011M14A018	4
C301122	4

SERIE : SPRINTER 200

achter-arrière-rear-Hinten

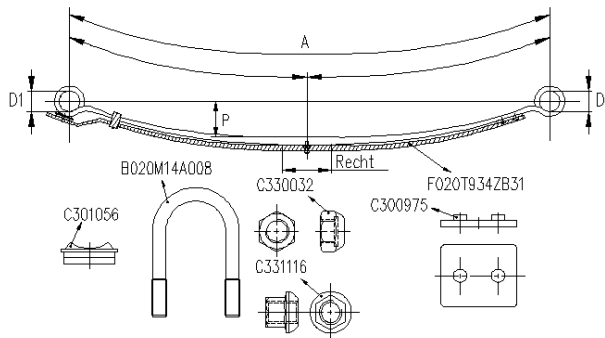
VEER RESSORT SPRING FEDER	BR LRG WID BR	BLADEN LAMES LEAVES BLATT.	B	C	D1	D2	PH FL FA SP	PAK EP TH PAK	DETAIL	MOD	OPMERKINGEN REMARKS BEMERKUNGEN
F020T698ZA75	70	1	740	755	S12	S12	145	21	1/21	F01.22	



Kit : FK020T698ZB

Composition :

F020T664HA80	2
B020M14A008	4
C300975	4
C301002	2
C330032	8

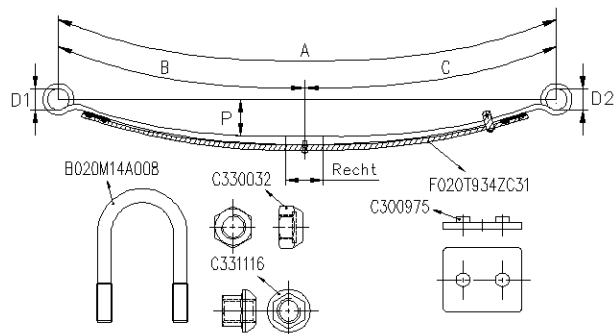


Kit : FK020T934ZB

Composition :

F020T934ZB31	2
C331116	8
B020M14A008	4
C300975	2
C301056	2

SERIE : SPRINTER 200



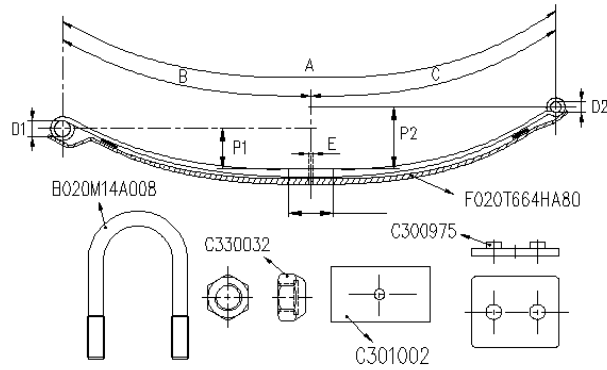
Kit : FK020T934ZC

Composition :

B020M14A008	4
C300975	4
C331116	8
F020T934ZC31	2

SERIE : SPRINTER 200

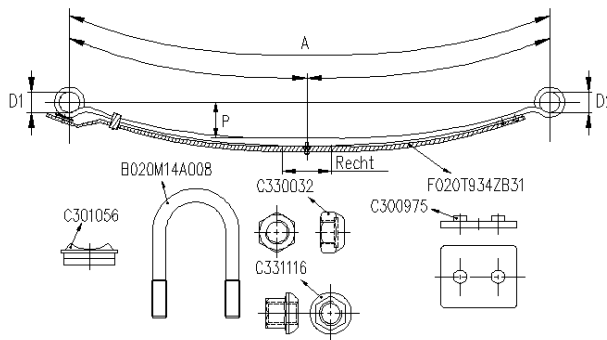
VEER RESSORT SPRING FEDER	BR LRG WID BR	BLADEN LAMES LEAVES BLATT.	B	C	D1	D2	PH FL FA SP	PAK EP TH PAK	DETAIL	MOD	OPMERKINGEN REMARQUES REMARKS BEMERKUNGEN
F020T704ZA75	70	1	740	755	S12	S12	135	23	1/23	F01.22	



Kit : FK020T698ZB

Composition :

B020M14A008	4
C300975	4
C301002	2
C330032	8
F020T664HA80	2

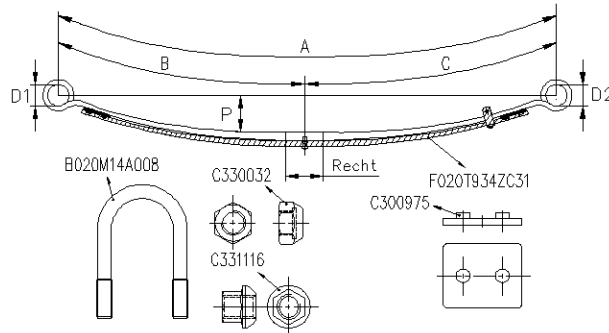


Kit : FK020T934ZB

Composition :

C331116	8
F020T934ZB31	2
C300975	2
B020M14A008	4
C301056	2

SERIE : SPRINTER 200



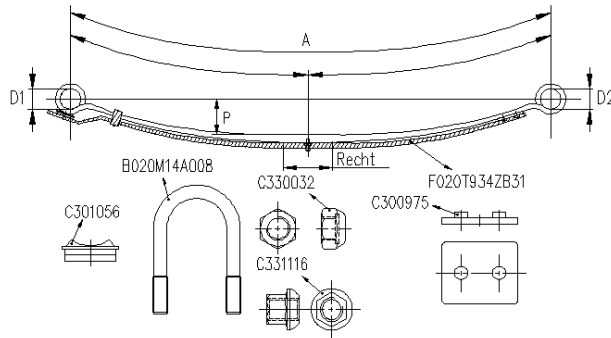
Kit : FK020T934ZC

Composition :

C300975	4
C331116	8
F020T934ZC31	2
B020M14A008	4

SERIE : SPRINTER 200

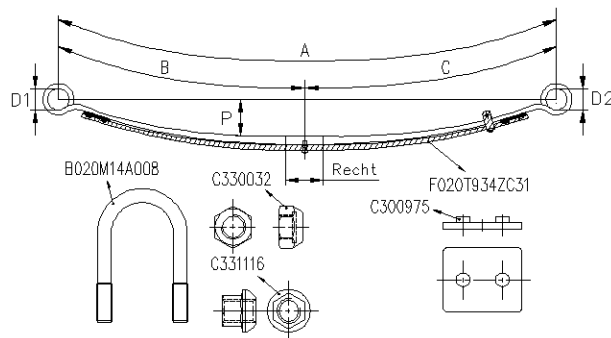
VEER RESSORT SPRING FEDER	BR LRG WID BR	BLADEN LAMES LEAVES BLATT.	B	C	D1	D2	PH FL FA SP	PAK EP TH PAK	DETAIL	MOD	OPMERKINGEN REMARKES REMARKS BEMERKUNGEN
F020T732ZA75	70	1	740	755	S12	S12	115	24	1/24	F01.22	



Kit : FK020T934ZB

Composition :

C300975	2
F020T934ZB31	2
C301056	2
B020M14A008	4
C331116	8



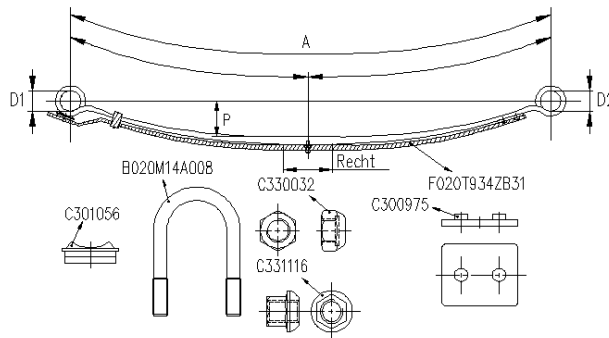
Kit : FK020T934ZC

Composition :

B020M14A008	4
C300975	4
C331116	8
F020T934ZC31	2

SERIE : SPRINTER 200

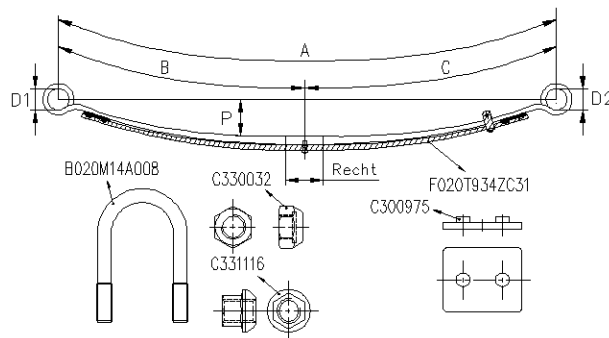
VEER RESSORT SPRING FEDER	BR LRG WID BR	BLADEN LAMES LEAVES BLATT.	B	C	D1	D2	PH FL FA SP	PAK EP TH PAK	DETAIL	MOD	OPMERKINGEN REMARQUES REMARKS BEMERKUNGEN
F020T734ZA75	70	1	740	750	S12	S12	70	27	1/27	F01.22	



Kit : FK020T934ZB

Composition :

C301056	2
C331116	8
B020M14A008	4
C300975	2
F020T934ZB31	2



Kit : FK020T934ZC

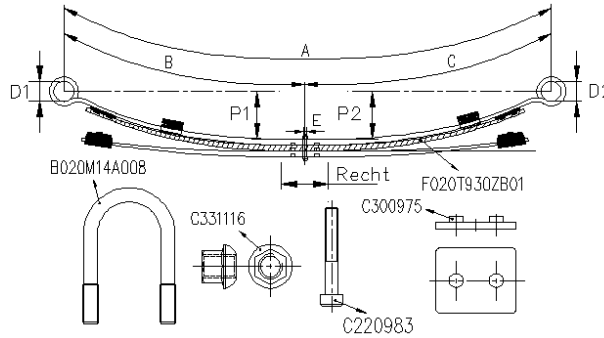
Composition :

B020M14A008	4
C300975	4
C331116	8
F020T934ZC31	2

SERIE : SPRINTER 200-2006

achter-arrière-rear-Hinten

VEER RESSORT SPRING FEDER	BR LRG WID BR	BLADEN LAMES LEAVES BLATT.	B	C	D1	D2	PH FL FA SP	PAK EP TH PAK	DETAIL	MOD	OPMERKINGEN REMARQUES REMARKS BEMERKUNGEN
F020T930ZA75	70	1/1	740	755	S12	S12	140	36	2/18	F01B.70	



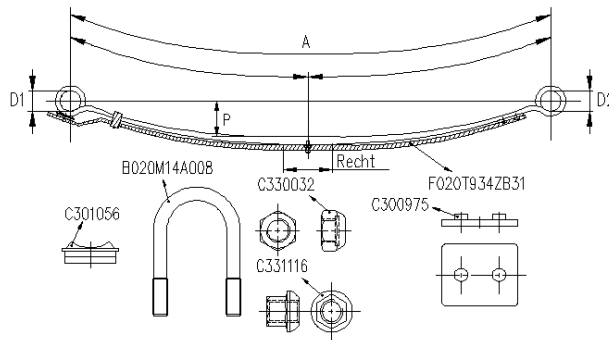
Kit : FK020T930ZB

Composition :

C220983	2
F020T930ZB01	2
C300975	4
B020M14A008	4
C331116	8

SERIE : SPRINTER 200-2006

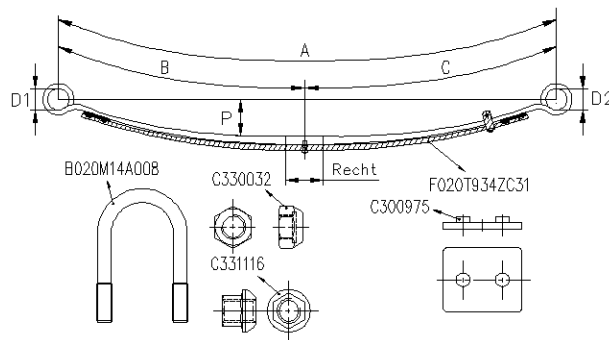
VEER RESSORT SPRING FEDER	BR LRG WID BR	BLADEN LAMES LEAVES BLATT.	B	C	D1	D2	PH FL FA SP	PAK EP TH PAK	DETAIL	MOD	OPMERKINGEN REMARQUES REMARKS BEMERKUNGEN
F020T952ZA75											



Kit : FK020T934ZB

Composition :

F020T934ZB31	2
B020M14A008	4
C300975	2
C301056	2
C331116	8



Kit : FK020T934ZC

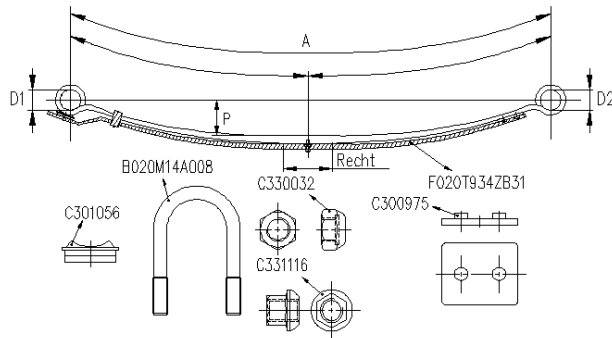
Composition :

F020T934ZC31	2
C331116	8
B020M14A008	4
C300975	4

SERIE : SPRINTER 300

achter-arrière-rear-Hinten

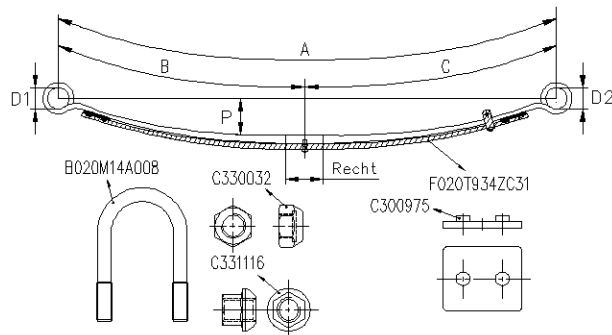
VEER RESSORT SPRING FEDER	BR LRG WID BR	BLADEN LAMES LEAVES BLATT.	B	C	D1	D2	PH FL FA SP	PAK EP TH PAK	DETAIL	MOD	OPMERKINGEN REMARKS REMARKS BEMERKUNGEN
F020T662ZA75	70	1	740	755	S12	S12	120	25	1/25	F01.22	1e Gen



Kit : FK020T934ZB

Composition :

B020M14A008	4
C300975	2
C301056	2
C331116	8
F020T934ZB31	2



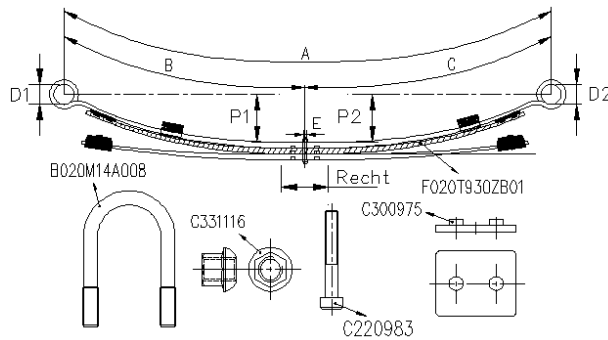
Kit : FK020T934ZC

Composition :

B020M14A008	4
F020T934ZC31	2
C300975	4
C331116	8

SERIE : SPRINTER 300

VEER RESSORT SPRING FEDER	BR LRG WID BR	BLADEN LAMES LEAVES BLATT.	B	C	D1	D2	PH FL FA SP	PAK EP TH PAK	DETAIL	MOD	OPMERKINGEN REMARQUES REMARKS BEMERKUNGEN
F020T674ZA75	70	1/1	740	750	S12	S12	135	39	1/19+1/20	F01.22	1e Gen



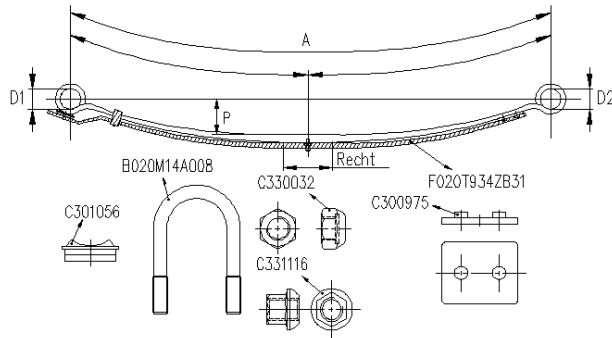
Kit : FK020T930ZB

Composition :

F020T930ZB01	2
B020M14A008	4
C220983	2
C300975	4
C331116	8

SERIE : SPRINTER 300

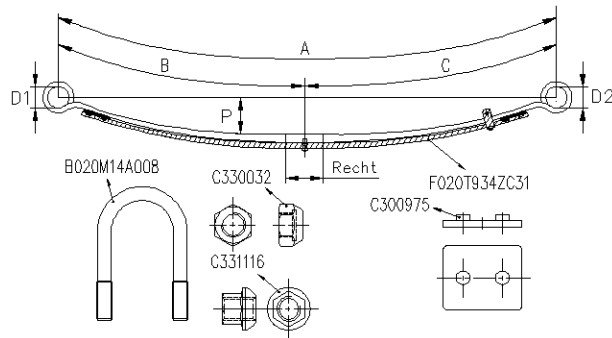
VEER RESSORT SPRING FEDER	BR LRG WID BR	BLADEN LAMES LEAVES BLATT.	B	C	D1	D2	PH FL FA SP	PAK EP TH PAK	DETAIL	MOD	OPMERKINGEN REMARKES REMARKS BEMERKUNGEN
F020T732ZA75	70	1	740	755	S12	S12	115	24	1/24	F01.22	



Kit : FK020T934ZB

Composition :

C300975	2
C301056	2
C331116	8
F020T934ZB31	2
B020M14A008	4



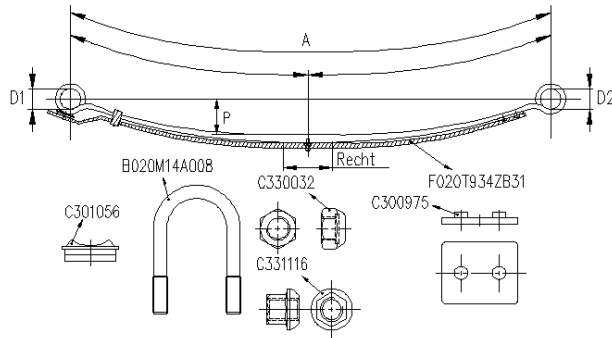
Kit : FK020T934ZC

Composition :

C331116	8
F020T934ZC31	2
C300975	4
B020M14A008	4

SERIE : SPRINTER 300

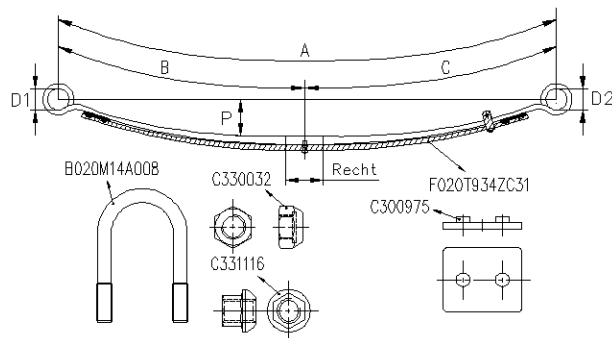
VEER RESSORT SPRING FEDER	BR LRG WID BR	BLADEN LAMES LEAVES BLATT.	B	C	D1	D2	PH FL FA SP	PAK EP TH PAK	DETAIL	MOD	OPMERKINGEN REMARQUES REMARKS BEMERKUNGEN
F020T734ZA75	70	1	740	750	S12	S12	70	27	1/27	F01.22	



Kit : FK020T934ZB

Composition :

C300975	2
C301056	2
C331116	8
F020T934ZB31	2
B020M14A008	4



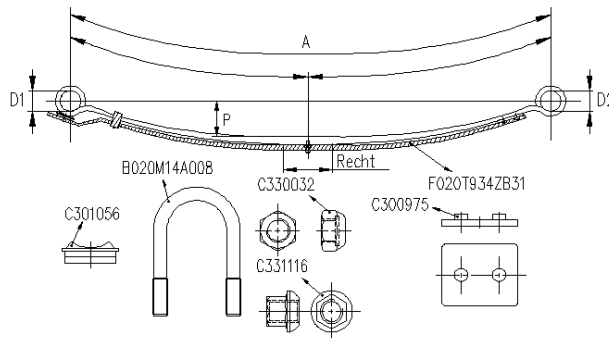
Kit : FK020T934ZC

Composition :

C331116	8
F020T934ZC31	2
C300975	4
B020M14A008	4

SERIE : SPRINTER 300

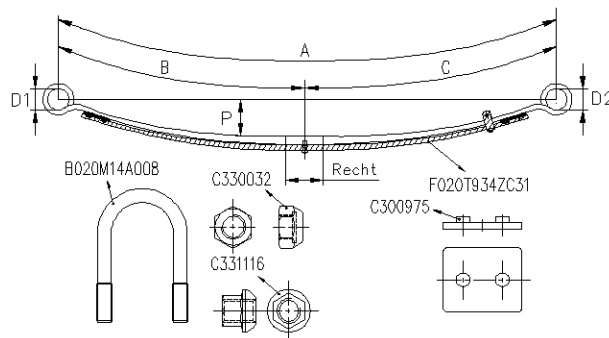
VEER RESSORT SPRING FEDER	BR LRG WID BR	BLADEN LAMES LEAVES BLATT.	B	C	D1	D2	PH FL FA SP	PAK EP TH PAK	DETAIL	MOD	OPMERKINGEN REMARKES REMARKS BEMERKUNGEN
F020T866ZA75	70	1	740	755	S12	S12	135	25	1/25	F01.22	



Kit : FK020T934ZB

Composition :

C300975	2
C301056	2
C331116	8
F020T934ZB31	2
B020M14A008	4



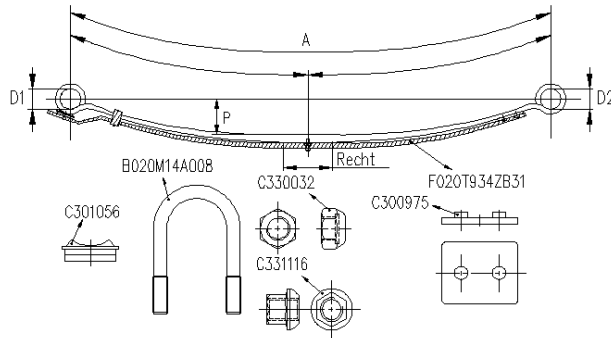
Kit : FK020T934ZC

Composition :

C300975	4
C331116	8
B020M14A008	4
F020T934ZC31	2

SERIE : SPRINTER 300

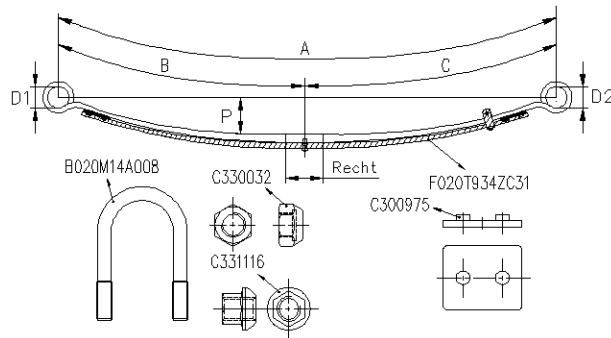
VEER RESSORT SPRING FEDER	BR LRG WID BR	BLADEN LAMES LEAVES BLATT.	B	C	D1	D2	PH FL FA SP	PAK EP TH PAK	DETAIL	MOD	OPMERKINGEN REMARKES REMARKS BEMERKUNGEN
F020T868ZA75	70	1	740	755	S12	S12	115	25	1/25	F01.22	



Kit : FK020T934ZB

Composition :

B020M14A008	4
C300975	2
C301056	2
C331116	8
F020T934ZB31	2



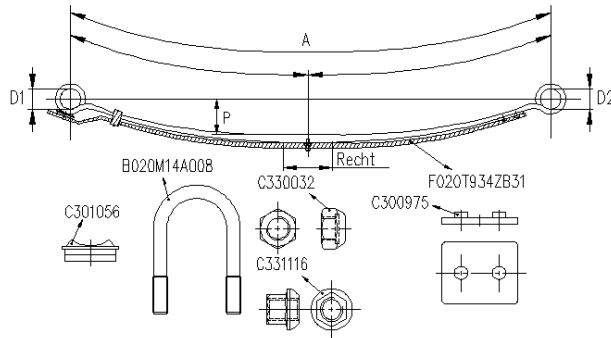
Kit : FK020T934ZC

Composition :

B020M14A008	4
F020T934ZC31	2
C300975	4
C331116	8

SERIE : SPRINTER 300

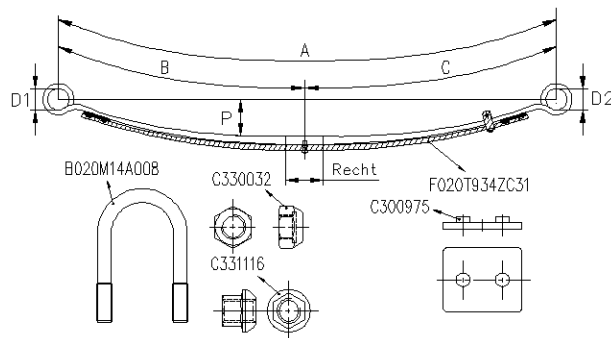
VEER RESSORT SPRING FEDER	BR LRG WID BR	BLADEN LAMES LEAVES BLATT.	B	C	D1	D2	PH FL FA SP	PAK EP TH PAK	DETAIL	MOD	OPMERKINGEN REMARQUES REMARKS BEMERKUNGEN
F020T870ZA75	70	1	740	755	S12	S12	51	30	1/30	F01.22	



Kit : FK020T934ZB

Composition :

B020M14A008	4
C300975	2
C301056	2
C331116	8
F020T934ZB31	2



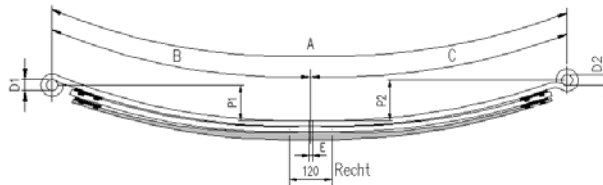
Kit : FK020T934ZC

Composition :

C300975	4
C331116	8
B020M14A008	4
F020T934ZC31	2

SERIE : SPRINTER 300

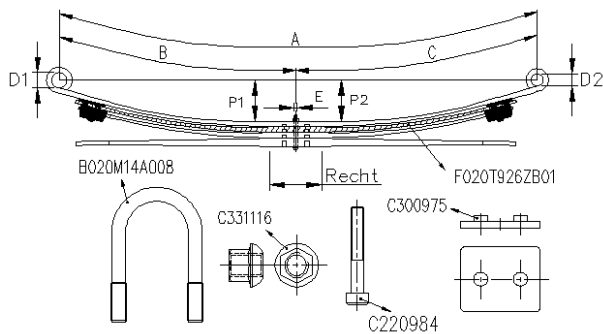
VEER RESSORT SPRING FEDER	BR LRG WID BR	BLADEN LAMES LEAVES BLATT.	B	C	D1	D2	PH FL FA SP	PAK EP TH PAK	DETAIL	MOD	OPMERKINGEN REMARQUES REMARKS BEMERKUNGEN
F020T872ZA75	70	2	740	755	S12	S12	110	39	1/18+1/21	F01.22	



Kit : FK020T872ZB

Composition :

F020T872ZB01	2
B020M14A005	4
C223301	2
C300974	4
C330032	8



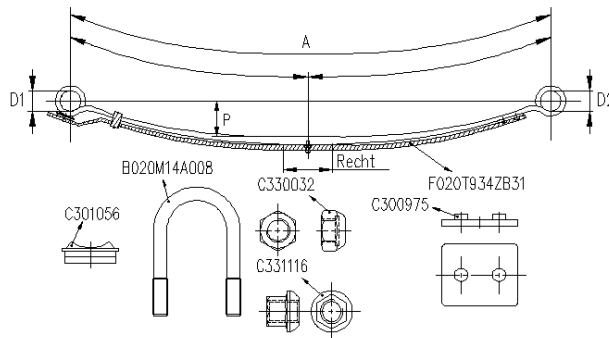
Kit : FK020T926ZB

Composition :

F020T926ZB01	2
C331116	8
C300975	4
B020M14A008	4
C220984	2

SERIE : SPRINTER 300

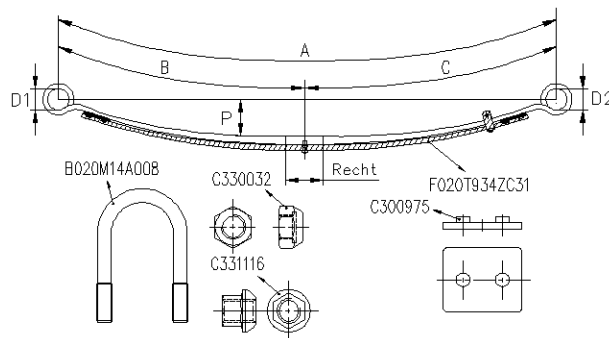
VEER RESSORT SPRING FEDER	BR LRG WID BR	BLADEN LAMES LEAVES BLATT.	B	C	D1	D2	PH FL FA SP	PAK EP TH PAK	DETAIL	MOD	OPMERKINGEN REMARQUES REMARKS BEMERKUNGEN
F020T884ZA75	70	1	740	755	S12	S12	120	25	1/25	F01.22	2e Gen



Kit : FK020T934ZB

Composition :

B020M14A008	4
C300975	2
C301056	2
C331116	8
F020T934ZB31	2



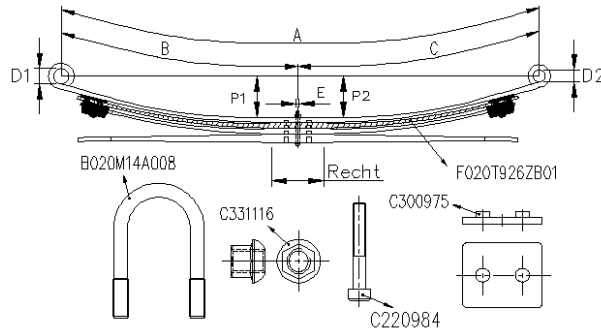
Kit : FK020T934ZC

Composition :

B020M14A008	4
C300975	4
C331116	8
F020T934ZC31	2

SERIE : SPRINTER 300

VEER RESSORT SPRING FEDER	BR LRG WID BR	BLADEN LAMES LEAVES BLATT.	B	C	D1	D2	PH FL FA SP	PAK EP TH PAK	DETAIL	MOD	OPMERKINGEN REMARQUES REMARKS BEMERKUNGEN
F020T886ZA75	70	1/1	740	750	S12	S12	135	39	1/19+1/20	F01.22	2e Gen



Kit : FK020T926ZB

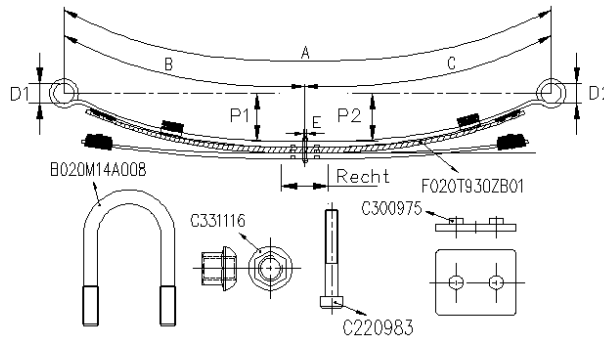
Composition :

C331116	8
C300975	4
C220984	2
B020M14A008	4
F020T926ZB01	2

SERIE : SPRINTER 300-2006

achter-arrière-rear-Hinten

VEER RESSORT SPRING FEDER	BR LRG WID BR	BLADEN LAMES LEAVES BLATT.	B	C	D1	D2	PH FL FA SP	PAK EP TH PAK	DETAIL	MOD	OPMERKINGEN REMARQUES REMARKS BEMERKUNGEN
F020T930ZA75	70	1/1	740	755	S12	S12	140	36	2/18	F01B.70	



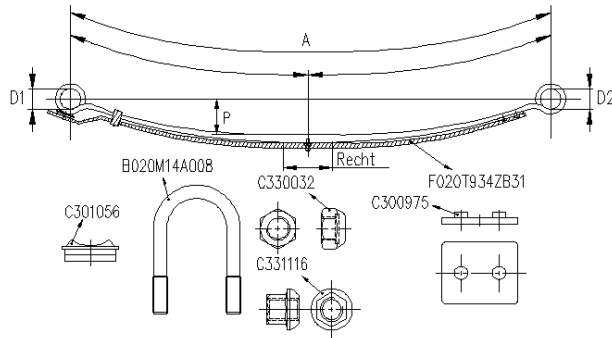
Kit : FK020T930ZB

Composition :

B020M14A008	4
C220983	2
C300975	4
C331116	8
F020T930ZB01	2

SERIE : SPRINTER 300-2006

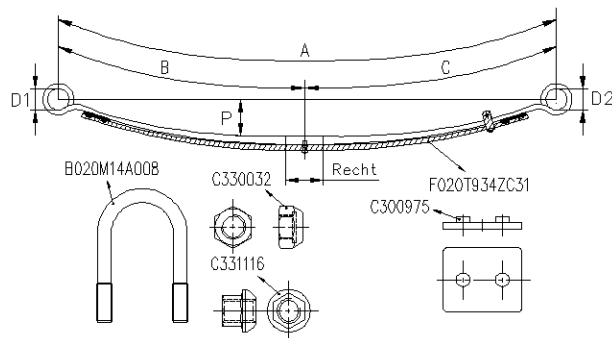
VEER RESSORT SPRING FEDER	BR LRG WID BR	BLADEN LAMES LEAVES BLATT.	B	C	D1	D2	PH FL FA SP	PAK EP TH PAK	DETAIL	MOD	OPMERKINGEN REMARQUES REMARKS BEMERKUNGEN
F020T934ZA75	70	1	740	755	S12	S12	105	25	1/25	F01.70	



Kit : FK020T934ZB

Composition :

B020M14A008	4
F020T934ZB31	2
C331116	8
C300975	2
C301056	2



Kit : FK020T934ZC

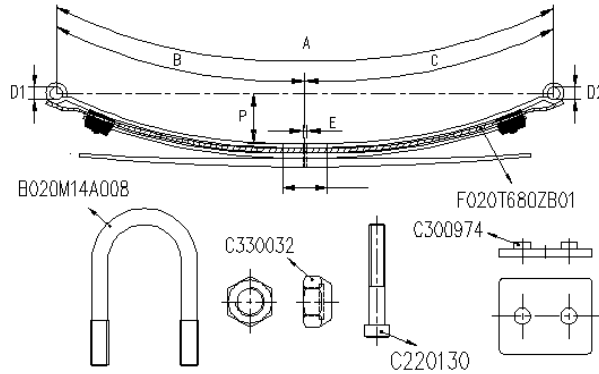
Composition :

F020T934ZC31	2
B020M14A008	4
C300975	4
C331116	8

SERIE : SPRINTER 400

achter-arrière-rear-Hinten

VEER RESSORT SPRING FEDER	BR LRG WID BR	BLADEN LAMES LEAVES BLATT.	B	C	D1	D2	PH FL FA SP	PAK EP TH PAK	DETAIL	MOD	OPMERKINGEN REMARQUES REMARKS BEMERKUNGEN
F020T680ZA75	70	2/1	740	750	S16	S16	153	55	1/12+1/15.5+1/28	F01B.70	1e Gen

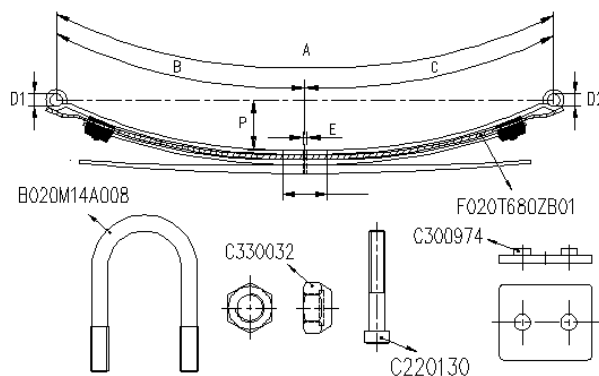


Kit : FK020T680ZB

Composition :

F020T680ZB01	2
C330032	8
C300974	4
B020M14A008	4
C220130	2

VEER RESSORT SPRING FEDER	BR LRG WID BR	BLADEN LAMES LEAVES BLATT.	B	C	D1	D2	PH FL FA SP	PAK EP TH PAK	DETAIL	MOD	OPMERKINGEN REMARQUES REMARKS BEMERKUNGEN
F020T718ZA75	70	2/1	740	750	S16	S16	126	52	1/12+1/15.5+1/25	F01B.70	1e Gen



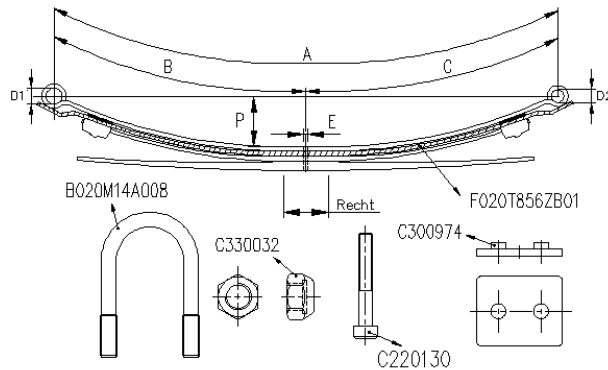
Kit : FK020T680ZB

Composition :

B020M14A008	4
C220130	2
C300974	4
C330032	8
F020T680ZB01	2

SERIE : SPRINTER 400

VEER RESSORT SPRING FEDER	BR LRG WID BR	BLADEN LAMES LEAVES BLATT.	B	C	D1	D2	PH FL FA SP	PAK EP TH PAK	DETAIL	MOD	OPMERKINGEN REMARQUES REMARKS BEMERKUNGEN
F020T856ZA75	70	2/1	740	750	S16	S16	153	55	1/12+1/15.5+1/28	F01B.70	2e Gen (PW)

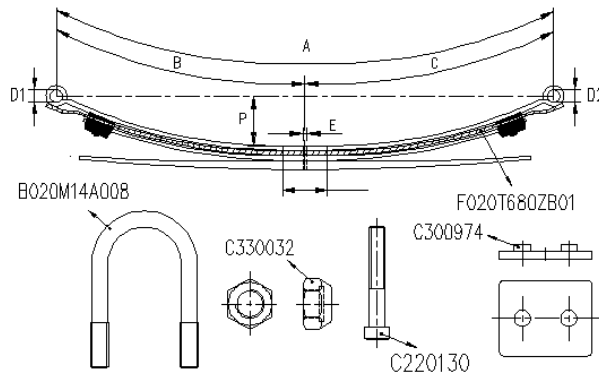


Kit : FK020T856ZB

Composition :

B020M14A008	4
C220130	2
C300974	4
C330032	8
F020T856ZB01	2

VEER RESSORT SPRING FEDER	BR LRG WID BR	BLADEN LAMES LEAVES BLATT.	B	C	D1	D2	PH FL FA SP	PAK EP TH PAK	DETAIL	MOD	OPMERKINGEN REMARQUES REMARKS BEMERKUNGEN
F020T878ZA75	70	2/1	740	750	S16	S16		54	1/12+1/15.5+1/27	F01B.70	2e Gen (PW)



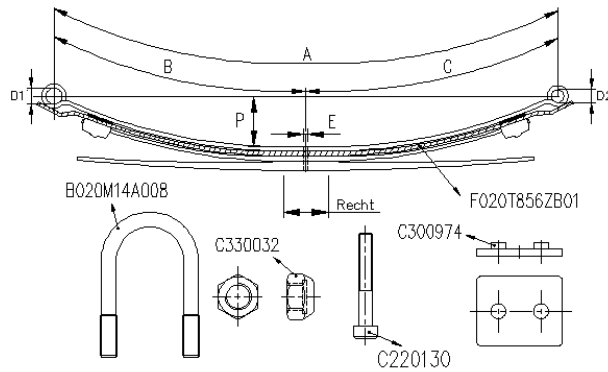
Kit : FK020T680ZB

Composition :

C220130	2
F020T680ZB01	2
C300974	4
B020M14A008	4
C330032	8

SERIE : SPRINTER 400

VEER RESSORT SPRING FEDER	BR LRG WID BR	BLADEN LAMES LEAVES BLATT.	B	C	D1	D2	PH FL FA SP	PAK EP TH PAK	DETAIL	MOD	OPMERKINGEN REMARKES REMARKS BEMERKUNGEN
F020T918ZA75	70	2/1	740	750	S16	S16	145	54	1/12+1/15.5+1/27	F01B.70	3e Gen (PW)



Kit : FK020T856ZB

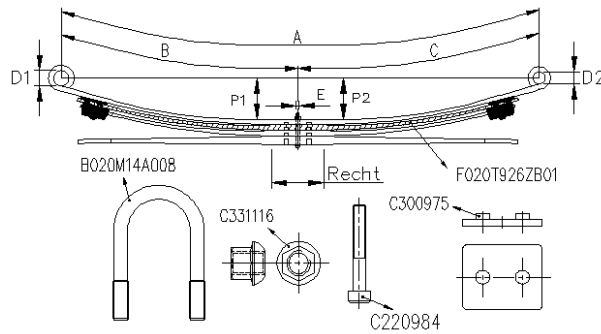
Composition :

B020M14A008	4
C220130	2
C300974	4
C330032	8
F020T856ZB01	2

SERIE : SPRINTER 500-2006

achter-arrière-rear-Hinten

VEER RESSORT SPRING FEDER	BR LRG WID BR	BLADEN LAMES LEAVES BLATT.	B	C	D1	D2	PH FL FA SP	PAK EP TH PAK	DETAIL	MOD	OPMERKINGEN REMARKES REMARKS BEMERKUNGEN
F020T926ZA75	70	2/1	740	755	S16	S16	125	61	2/17+1/27	F01B	



Kit : FK020T926ZB

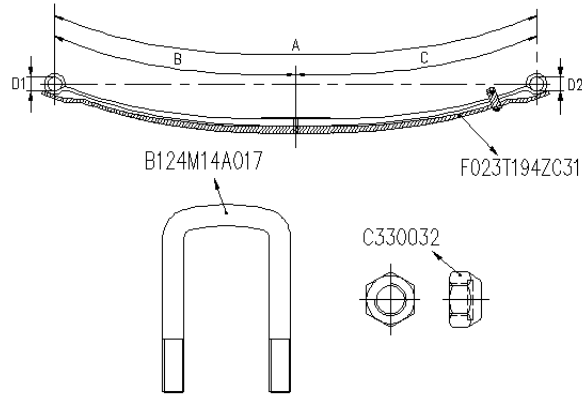
Composition :

B020M14A008	4
F020T926ZB01	2
C331116	8
C220984	2
C300975	4

SERIE : MOVANO 1997

achter-arrière-rear-Hinten

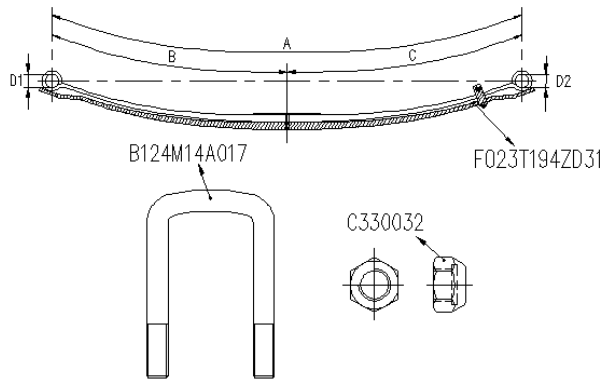
VEER RESSORT SPRING FEDER	BR LRG WID BR	BLADEN LAMES LEAVES BLATT.	B	C	D1	D2	PH FL FA SP	PAK EP TH PAK	DETAIL	MOD	OPMERKINGEN REMARKS BEMERKUNGEN
F023T194ZA75	70	1	715	715	S14	S16	100	22	1/22	F01.70	



Kit : FK023T194ZC

Composition :

F023T194ZC31	2
B124M14A017	4
C330032	8



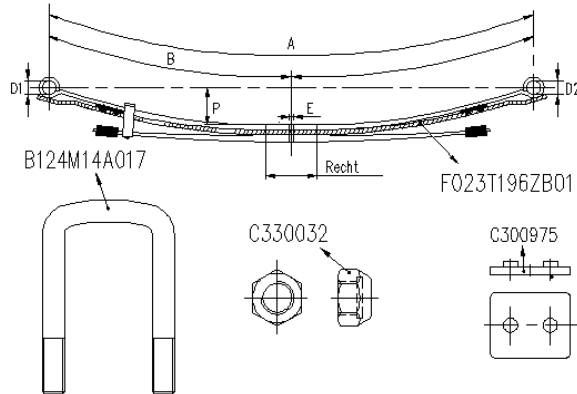
Kit : FK023T194ZD

Composition :

B124M14A017	4
F023T194ZD31	2
C330032	8

SERIE : MOVANO 1997

VEER RESSORT SPRING FEDER	BR LRG WID BR	BLADEN LAMES LEAVES BLATT.	B	C	D1	D2	PH FL FA SP	PAK EP TH PAK	DETAIL	MOD	OPMERKINGEN REMARQUES REMARKS BEMERKUNGEN
F023T196ZA75	70	2	715	715	S14	S16	106	36	1/14+1/21	F01B	



Kit : FK023T196ZB

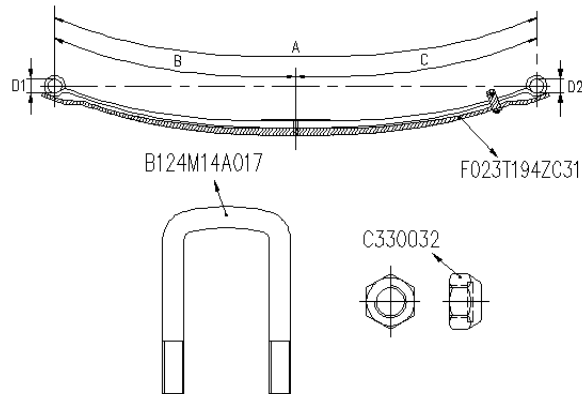
Composition :

B124M14A017	4
C300975	4
C330032	8
F023T196ZB01	2

SERIE : MOVANO 2003

achter-arrière-rear-Hinten

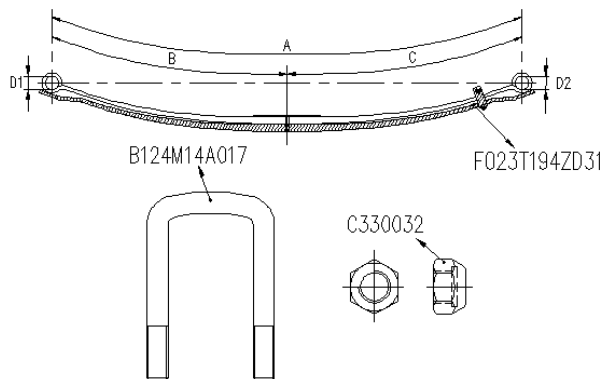
VEER RESSORT SPRING FEDER	BR LRG WID BR	BLADEN LAMES LEAVES BLATT.	B	C	D1	D2	PH FL FA SP	PAK EP TH PAK	DETAIL	MOD	OPMERKINGEN REMARKS BEMERKUNGEN
F023T194ZA75	70	1	715	715	S14	S16	100	22	1/22	F01.70	



Kit : FK023T194ZC

Composition :

F023T194ZC31	2
B124M14A017	4
C330032	8



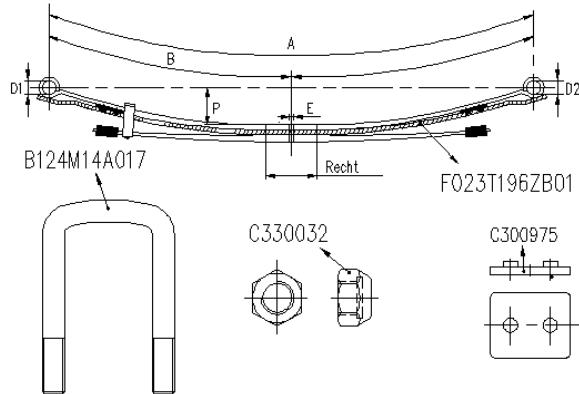
Kit : FK023T194ZD

Composition :

F023T194ZD31	2
B124M14A017	4
C330032	8

SERIE : MOVANO 2003

VEER RESSORT SPRING FEDER	BR LRG WID BR	BLADEN LAMES LEAVES BLATT.	B	C	D1	D2	PH FL FA SP	PAK EP TH PAK	DETAIL	MOD	OPMERKINGEN REMARKES REMARKS BEMERKUNGEN
F023T196ZA75	70	2	715	715	S14	S16	106	36	1/14+1/21	F01B	



Kit : FK023T196ZB

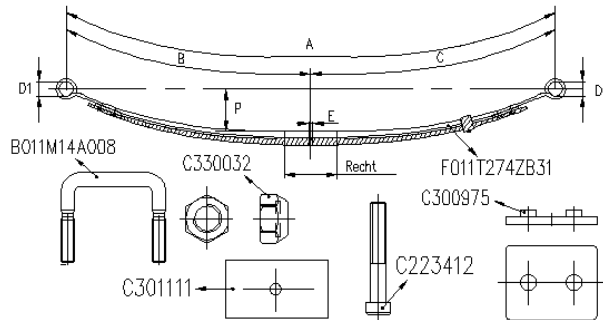
Composition :

B124M14A017	4
C300975	4
C330032	8
F023T196ZB01	2

SERIE : BOXER <2006

achter-arrière-rear-Hinten

VEER RESSORT SPRING FEDER	BR LRG WID BR	BLADEN LAMES LEAVES BLATT.	B	C	D1	D2	PH FL FA SP	PAK EP TH PAK	DETAIL	MOD	OPMERKINGEN REMARKS BEMERKUNGEN
F011T274ZA75	80	1	715	715	S16	S16	120	17	1/17	F01.70	

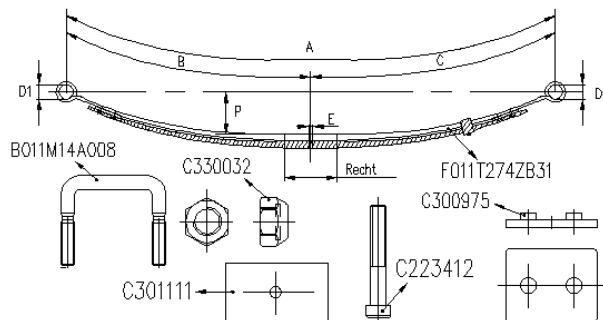


Kit : FK011T274ZB

Composition :

C330032	8
B011M14A008	4
F011T274ZB31	2
C300975	4
C223412	2
C301111	2

VEER RESSORT SPRING FEDER	BR LRG WID BR	BLADEN LAMES LEAVES BLATT.	B	C	D1	D2	PH FL FA SP	PAK EP TH PAK	DETAIL	MOD	OPMERKINGEN REMARKS BEMERKUNGEN
F011T346ZA75	80	1	715	715	S16	S16	112	17	1/17	F01.70	



Kit : FK011T274ZB

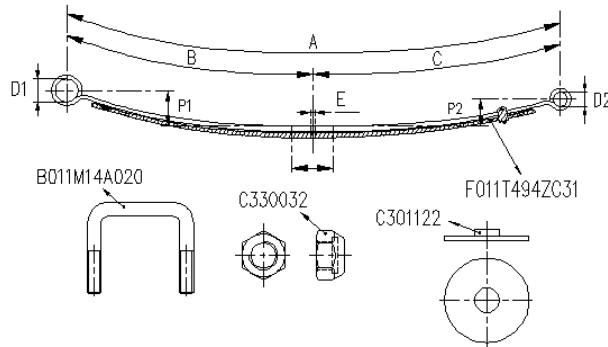
Composition :

C330032	8
F011T274ZB31	2
C301111	2
C300975	4
C223412	2
B011M14A008	4

SERIE : BOXER 2006

achter-arrière-rear-Hinten

VEER RESSORT SPRING FEDER	BR LRG WID BR	BLADEN LAMES LEAVES BLATT.	B	C	D1	D2	PH FL FA SP	PAK EP TH PAK	DETAIL	MOD	OPMERKINGEN REMARQUES REMARKS BEMERKUNGEN
F011T494ZA75	70	1	716	716	S16	S16	88	18	1/18	F01.70	

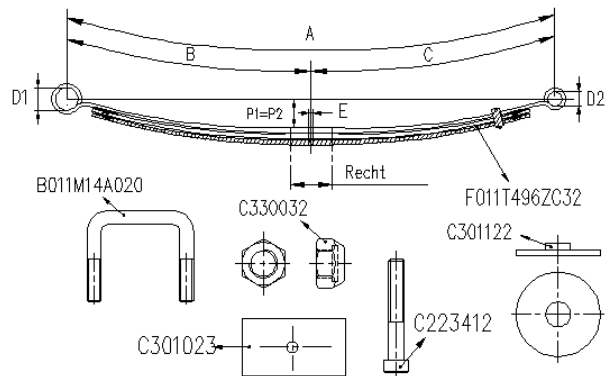


Kit : FK011T494ZC

Composition :

C301122	4
C330032	8
F011T494ZC31	2
B011M14A020	4

VEER RESSORT SPRING FEDER	BR LRG WID BR	BLADEN LAMES LEAVES BLATT.	B	C	D1	D2	PH FL FA SP	PAK EP TH PAK	DETAIL	MOD	OPMERKINGEN REMARQUES REMARKS BEMERKUNGEN
F011T496ZA75	70	2	716	716	S16	S16	88	33	2/16	F01.70	



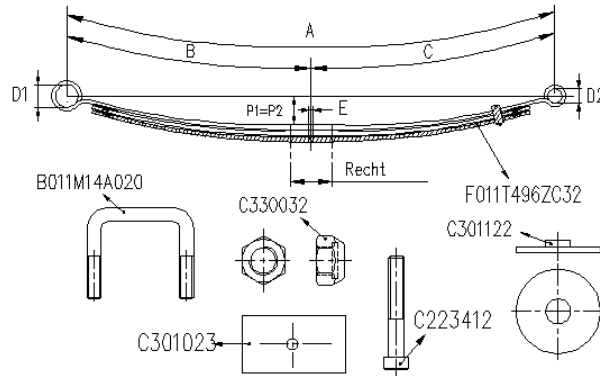
Kit : FK011T496ZC

Composition :

C301122	4
F011T496ZC32	2
C330032	8
B011M14A020	4
C223412	2
C301023	2

SERIE : BOXER 2006

VEER RESSORT SPRING FEDER	BR LRG WID BR	BLADEN LAMES LEAVES BLATT.	B	C	D1	D2	PH FL FA SP	PAK EP TH PAK	DETAIL	MOD	OPMERKINGEN REMARQUES REMARKS BEMERKUNGEN
F011T498ZA75	70	2	716	716	S16	S16	88	37	2/18	F01.70	

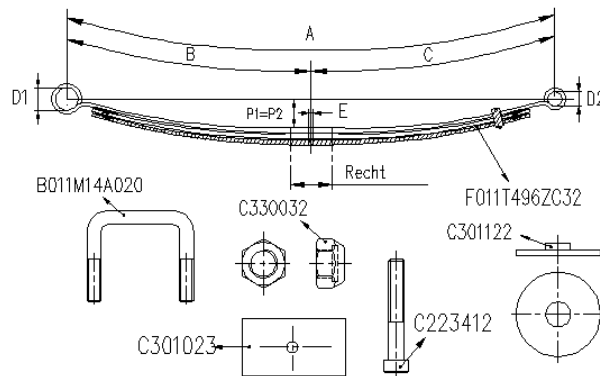


Kit : FK011T496ZC

Composition :

F011T496ZC32	2
B011M14A020	4
C223412	2
C301023	2
C301122	4
C330032	8

VEER RESSORT SPRING FEDER	BR LRG WID BR	BLADEN LAMES LEAVES BLATT.	B	C	D1	D2	PH FL FA SP	PAK EP TH PAK	DETAIL	MOD	OPMERKINGEN REMARQUES REMARKS BEMERKUNGEN
F011T500ZA75	70	2	716	716	S16	S16	108	37	2/18	F01.70	



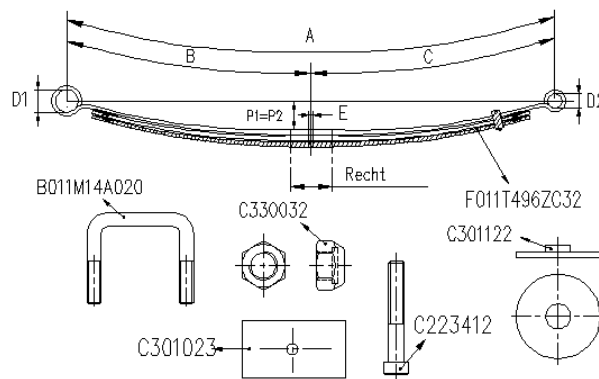
Kit : FK011T496ZC

Composition :

C330032	8
C301122	4
C301023	2
B011M14A020	4
F011T496ZC32	2
C223412	2

SERIE : BOXER 2006

VEER RESSORT SPRING FEDER	BR LRG WID BR	BLADEN LAMES LEAVES BLATT.	B	C	D1	D2	PH FL FA SP	PAK EP TH PAK	DETAIL	MOD	OPMERKINGEN REMARKES REMARKS BEMERKUNGEN
F011T502ZA75	70	2	716	716	S16	S16	125	37	2/18	F01.70	



Kit : FK011T496ZC

Composition :

C301122	4
C330032	8
F011T496ZC32	2
C301023	2
B011M14A020	4
C223412	2

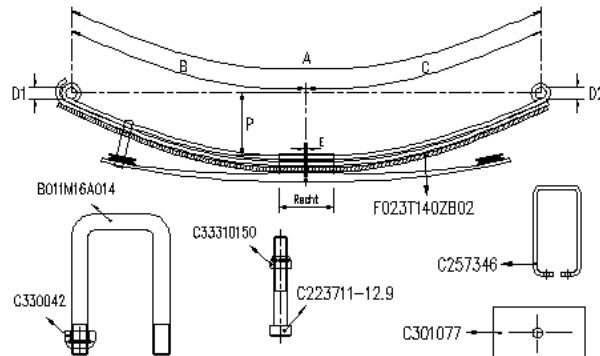


Merk	OE-nummer	Artikelnummer	Groep	Artikelnr versterking
RENAULT VI	5000397514	F023T140ZA75	B-MESSENGER	FK023T138ZB
RENAULT VI	5000397608	F023T140ZA75	B-MESSENGER	FK023T138ZB
RENAULT VI	5000397608	F023T140ZA75	MASCOTT	FK023T138ZB
RENAULT VI	5000398973	F023T138ZA75	B-MESSENGER	FK023T138ZB
RENAULT VI	5000398973	F023T138ZA75	MASCOTT	FK023T138ZB
RENAULT VI	5010537272	F023T217ZA75	MASCOTT2	FK023T219ZB
RENAULT VI	5010537664	F023T258ZA75	MASCOTT	FK023T258ZB
RENAULT VI	5010537664	F023T258ZA75	MASCOTT2	FK023T258ZB
RENAULT VI	5010537665	F023T278ZA75	MASCOTT	FK023T258ZB
RENAULT VI	5010537665	F023T278ZA75	MASCOTT2	FK023T258ZB
RENAULT VI	7485120726	F046T196ZA75	MASTER3 2010 / Tract	FK046T196ZB
RENAULT VI	7485123995	F046T200ZA75	MASTER3 2010 / Prop.	FK046T200ZB
RENAULT VI	7485130397	F046T196ZA75	MASTER3 2010 / Tract	FK046T196ZB
RENAULT VI	7700302148	F023T196ZA75	MASTER 1997	FK023T196ZB
RENAULT VI	7700302148	F023T196ZA75	MASTER2 2003	FK023T196ZB
RENAULT VI	7700308817	F023T250ZA75	MASTER2 2003	FK023T250ZB
RENAULT VI	7700308817	F023T250ZA75	MASTER2 2003	FK023T250ZC
RENAULT VI	7700314662	F023T194ZA75	MASTER 1997	FK023T194ZC
RENAULT VI	7700314662	F023T194ZA75	MASTER 1997	FK023T194ZD
RENAULT VI	7700314662	F023T194ZA75	MASTER 1997	FK023T194ZE
RENAULT VI	7700314662	F023T194ZA75	MASTER2 2003	FK023T194ZC
RENAULT VI	7700314662	F023T194ZA75	MASTER2 2003	FK023T194ZD
RENAULT VI	7700314662	F023T194ZA75	MASTER2 2003	FK023T194ZE
RENAULT VI	8200740693	F046T196ZA75	MASTER3 2010 / Tract	FK046T196ZB
RENAULT VI	8200879921	F046T208ZA75	MASTER3 2010 / Prop.	FK046T200ZB

SERIE : B-MESSENGER

achter-arrière-rear-Hinten

VEER RESSORT SPRING FEDER	BR LRG WID BR	BLADEN LAMES LEAVES BLATT.	B	C	D1	D2	PH FL FA SP	PAK EP TH PAK	DETAIL	MOD	OPMERKINGEN REMARQUES REMARKS BEMERKUNGEN
F023T138ZA75	60	2/1	775	775	S16	S16	182	73	1/16+1/13+1/35	F01B	



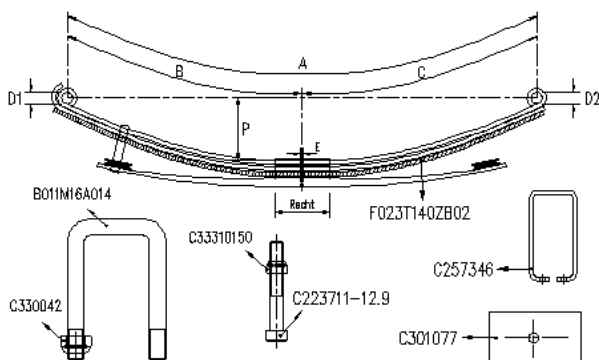
Kit : FK023T138ZB

Composition :

F023T140ZB02	2
C33310150	2
C330042	8
C301077	2
C257346	2
B011M16A014	4
C223711-12.9	2

SERIE : B-MESSENGER

VEER RESSORT SPRING FEDER	BR LRG WID BR	BLADEN LAMES LEAVES BLATT.	B	C	D1	D2	PH FL FA SP	PAK EP TH PAK	DETAIL	MOD	OPMERKINGEN REMARKES REMARKS BEMERKUNGEN
F023T140ZA75	60	2/1	775	775	S16	S16		68	2/13+1/31	F01B	



Kit : FK023T138ZB

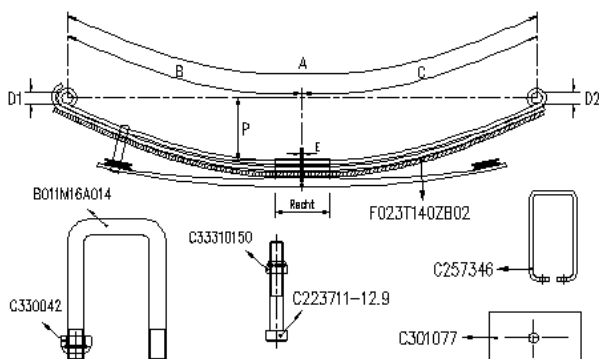
Composition :

C33310150	2
C257346	2
F023T140ZB02	2
B011M16A014	4
C223711-12.9	2
C301077	2
C330042	8

SERIE : MASCOTT

achter-arrière-rear-Hinten

VEER RESSORT SPRING FEDER	BR LRG WID BR	BLADEN LAMES LEAVES BLATT.	B	C	D1	D2	PH FL FA SP	PAK EP TH PAK	DETAIL	MOD	OPMERKINGEN REMARQUES REMARKS BEMERKUNGEN
F023T138ZA75	60	2/1	775	775	S16	S16	182	73	1/16+1/13+1/35	F01B	



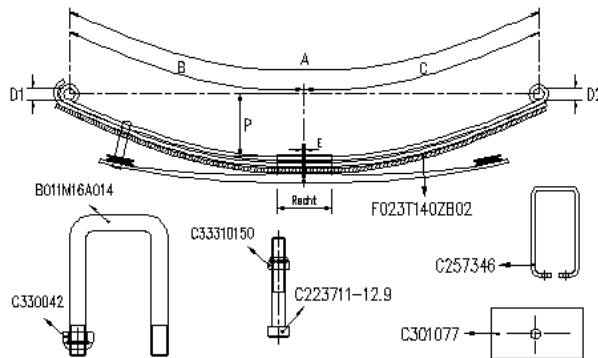
Kit : FK023T138ZB

Composition :

F023T140ZB02	2
C33310150	2
C330042	8
C301077	2
C257346	2
B011M16A014	4
C223711-12.9	2

SERIE : MASCOTT

VEER RESSORT SPRING FEDER	BR LRG WID BR	BLADEN LAMES LEAVES BLATT.	B	C	D1	D2	PH FL FA SP	PAK EP TH PAK	DETAIL	MOD	OPMERKINGEN REMARQUES REMARKS BEMERKUNGEN
F023T140ZA75	60	2/1	775	775	S16	S16		68	2/13+1/31	F01B	

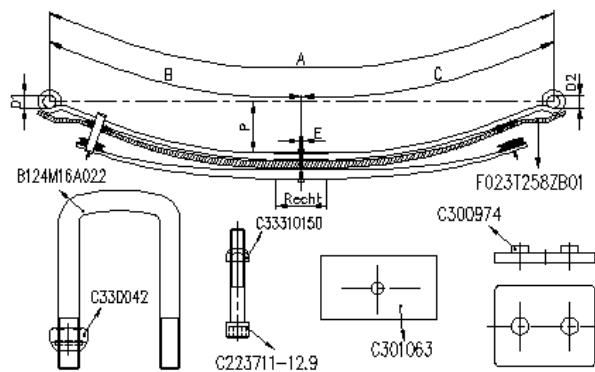


Kit : FK023T138ZB

Composition :

C330042	8
C301077	2
C33310150	2
F023T140ZB02	2
C223711-12.9	2
B011M16A014	4
C257346	2

VEER RESSORT SPRING FEDER	BR LRG WID BR	BLADEN LAMES LEAVES BLATT.	B	C	D1	D2	PH FL FA SP	PAK EP TH PAK	DETAIL	MOD	OPMERKINGEN REMARQUES REMARKS BEMERKUNGEN
F023T258ZA75	60	1/1	820	820	S16	S16		0	1/23+1/34	F01B.70	



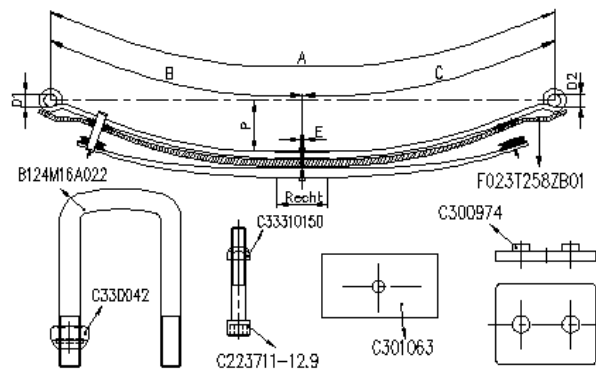
Kit : FK023T258ZB

Composition :

B124M16A022	4
C223711-12.9	2
C300974	4
C301063	2
C330042	8
C33310150	2
F023T258ZB01	2

SERIE : MASCOTT

VEER RESSORT SPRING FEDER	BR LRG WID BR	BLADEN LAMES LEAVES BLATT.	B	C	D1	D2	PH FL FA SP	PAK EP TH PAK	DETAIL	MOD	OPMERKINGEN REMARQUES REMARKS BEMERKUNGEN
F023T278ZA75	60	1/1	820	820	S18	S16	155	65	1/23+1/38	F01B.70	



Kit : FK023T258ZB

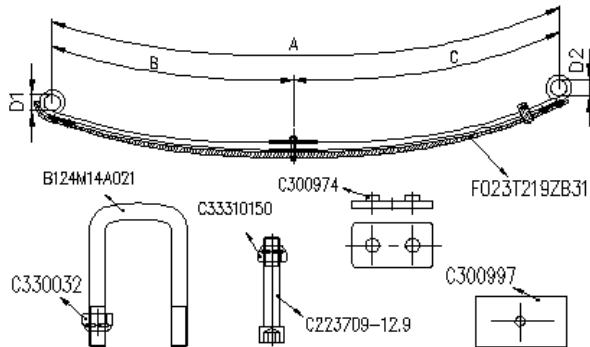
Composition :

C223711-12.9	2
F023T258ZB01	2
C33310150	2
C330042	8
C300974	4
B124M16A022	4
C301063	2

SERIE : MASCOTT2

voor-avant-front-Vorne

VEER RESSORT SPRING FEDER	BR LRG WID BR	BLADEN LAMES LEAVES BLATT.	B	C	D1	D2	PH FL FA SP	PAK EP TH PAK	DETAIL	MOD	OPMERKINGEN REMARQUES REMARKS BEMERKUNGEN
F023T217ZA75	70	1	700	820	S	S		0		F01	



Kit : FK023T219ZB

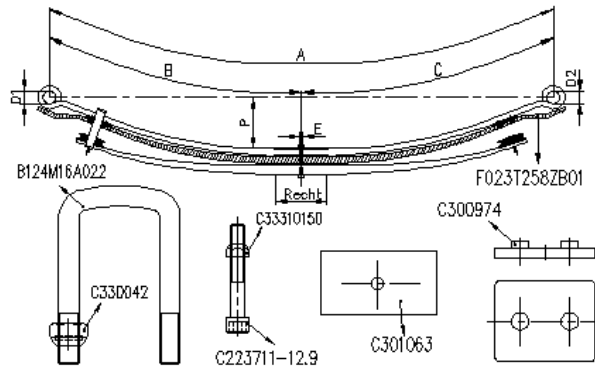
Composition :

B124M14A021	4
C33310150	2
C330032	8
C300997	2
C300974	4
F023T219ZB31	2
C223709-12.9	2

SERIE : MASCOTT2

achter-arrière-rear-Hinten

VEER RESSORT SPRING FEDER	BR LRG WID BR	BLADEN LAMES LEAVES BLATT.	B	C	D1	D2	PH FL FA SP	PAK EP TH PAK	DETAIL	MOD	OPMERKINGEN REMARKES REMARKS BEMERKUNGEN
F023T258ZA75	60	1/1	820	820	S16	S16		0	1/23+1/34	F01B.70	



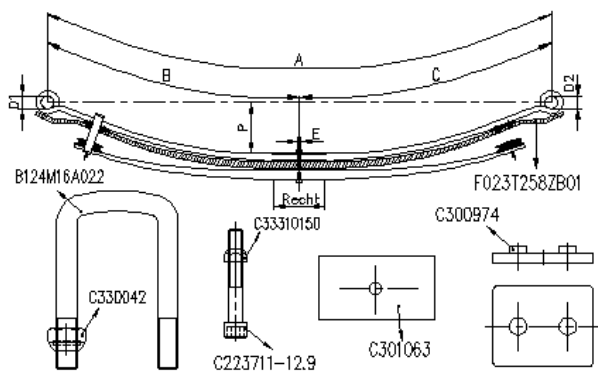
Kit : FK023T258ZB

Composition :

C301063	2
C330042	8
B124M16A022	4
C33310150	2
C300974	4
F023T258ZB01	2
C223711-12.9	2

SERIE : MASCOTT2

VEER RESSORT SPRING FEDER	BR LRG WID BR	BLADEN LAMES LEAVES BLATT.	B	C	D1	D2	PH FL FA SP	PAK EP TH PAK	DETAIL	MOD	OPMERKINGEN REMARQUES REMARKS BEMERKUNGEN
F023T278ZA75	60	1/1	820	820	S18	S16	155	65	1/23+1/38	F01B.70	



Kit : FK023T258ZB

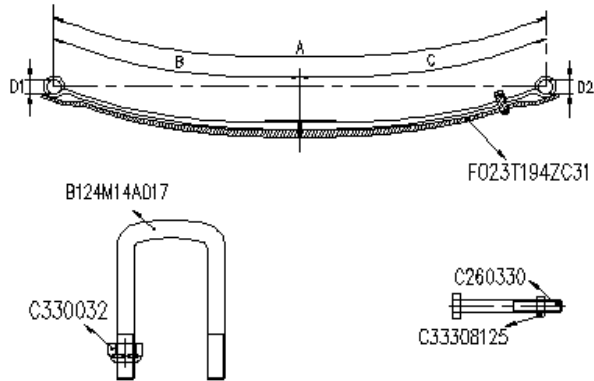
Composition :

F023T258ZB01	2
B124M16A022	4
C33310150	2
C223711-12.9	2
C330042	8
C301063	2
C300974	4

SERIE : MASTER 1997

achter-arrière-rear-Hinten

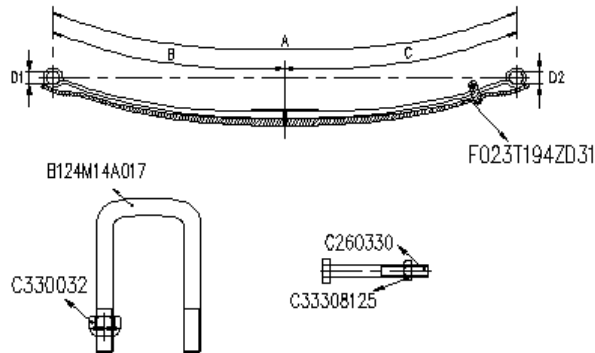
VEER RESSORT SPRING FEDER	BR LRG WID BR	BLADEN LAMES LEAVES BLATT.	B	C	D1	D2	PH FL FA SP	PAK EP TH PAK	DETAIL	MOD	OPMERKINGEN REMARKS BEMERKUNGEN
F023T194ZA75	70	1	715	715	S14	S16	100	22	1/22	F01.70	



Kit : FK023T194ZC

Composition :

B124M14A017	4
C260330	2
C330032	8
C33308125	2
F023T194ZC31	2

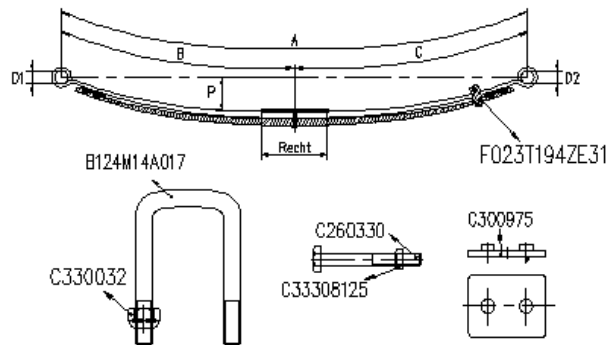


Kit : FK023T194ZD

Composition :

C330032	8
C260330	2
C33308125	2
F023T194ZD31	2
B124M14A017	4

SERIE : MASTER 1997

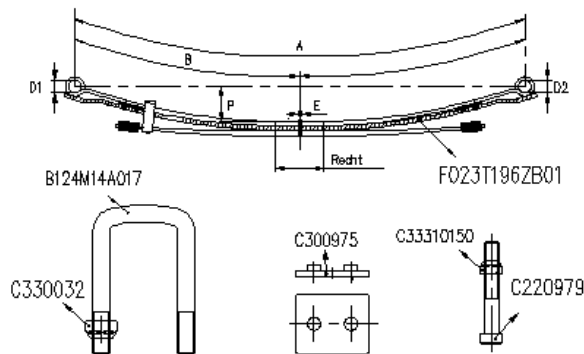


Kit : FK023T194ZE

Composition :

B124M14A017	4
C260330	2
C300975	4
C330032	8
C33308125	2
F023T194ZE31	2

VEER RESSORT SPRING FEDER	BR LRG WID BR	BLADEN LAMES LEAVES BLATT.	B	C	D1	D2	PH FL FA SP	PAK EP TH PAK	DETAIL	MOD	OPMERKINGEN REMARKES REMARKS BEMERKUNGEN
F023T196ZA75	70	2	715	715	S14	S16	106	36	1/14+1/21	F01B	



Kit : FK023T196ZB

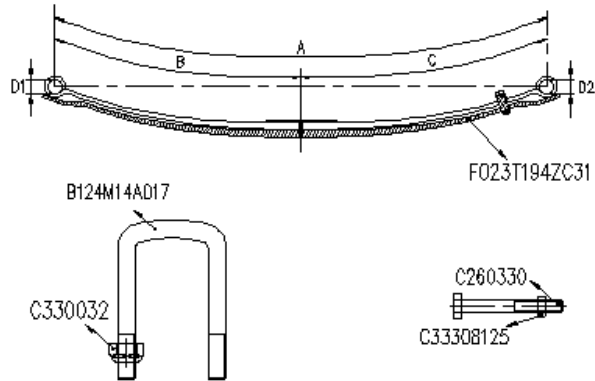
Composition :

C220979	2
F023T196ZB01	2
C33310150	2
C300975	4
B124M14A017	4
C330032	8

SERIE : MASTER2 2003

achter-arrière-rear-Hinten

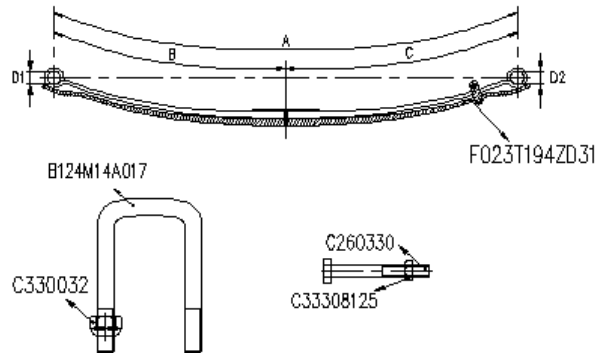
VEER RESSORT SPRING FEDER	BR LRG WID BR	BLADEN LAMES LEAVES BLATT.	B	C	D1	D2	PH FL FA SP	PAK EP TH PAK	DETAIL	MOD	OPMERKINGEN REMARKS BEMERKUNGEN
F023T194ZA75	70	1	715	715	S14	S16	100	22	1/22	F01.70	



Kit : FK023T194ZC

Composition :

B124M14A017	4
C260330	2
C330032	8
C33308125	2
F023T194ZC31	2

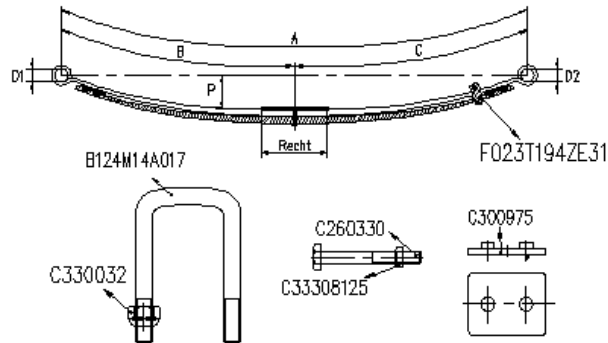


Kit : FK023T194ZD

Composition :

B124M14A017	4
F023T194ZD31	2
C33308125	2
C260330	2
C330032	8

SERIE : MASTER2 2003

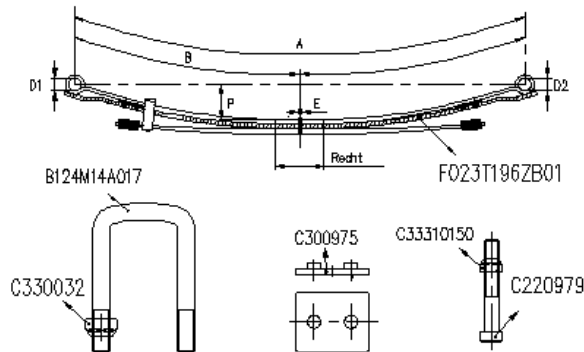


Kit : FK023T194ZE

Composition :

B124M14A017	4
C260330	2
C300975	4
C330032	8
C33308125	2
F023T194ZE31	2

VEER RESSORT SPRING FEDER	BR LRG WID BR	BLADEN LAMES LEAVES BLATT.	B	C	D1	D2	PH FL FA SP	PAK EP TH PAK	DETAIL	MOD	OPMERKINGEN REMARKES REMARKS BEMERKUNGEN
F023T196ZA75	70	2	715	715	S14	S16	106	36	1/14+1/21	F01B	



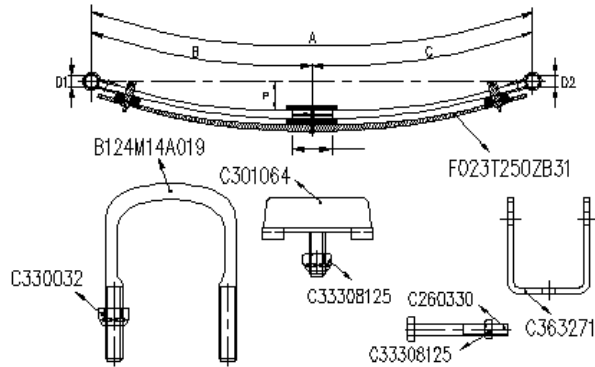
Kit : FK023T196ZB

Composition :

C220979	2
F023T196ZB01	2
C33310150	2
C300975	4
B124M14A017	4
C330032	8

SERIE : MASTER2 2003

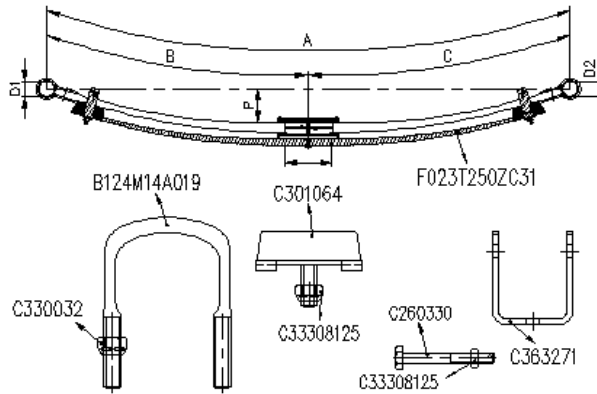
VEER RESSORT SPRING FEDER	BR LRG WID BR	BLADEN LAMES LEAVES BLATT.	B	C	D1	D2	PH FL FA SP	PAK EP TH PAK	DETAIL	MOD	OPMERKINGEN REMARKES REMARKS BEMERKUNGEN
F023T250ZA75	70	1	710	710	40	40	90	30	1/30	F01.70	Composite



Kit : FK023T250ZB

Composition :

F023T250ZB31	2
B124M14A019	4
C260330	4
C330032	8
C33308125	4



Kit : FK023T250ZC

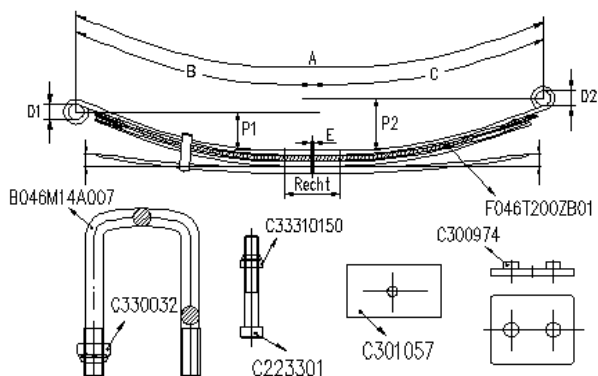
Composition :

F023T250ZC31	2
C33308125	4
B124M14A019	4
C260330	4
C330032	8

SERIE : MASTER3 2010 / Prop.

achter-arrière-rear-Hinten

VEER RESSORT SPRING FEDER	BR LRG WID BR	BLADEN LAMES LEAVES BLATT.	B	C	D1	D2	PH FL FA SP	PAK EP TH PAK	DETAIL	MOD	OPMERKINGEN REMARQUES REMARKS BEMERKUNGEN
F046T200ZA75	70	2/1	730	730	S16	S14	135	57	1/15+1/16+1/22	F01B.20	



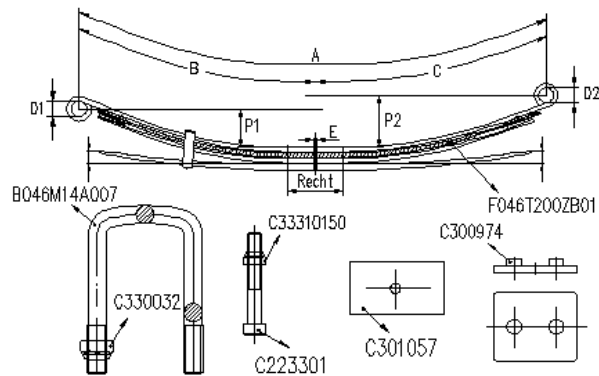
Kit : FK046T200ZB

Composition :

C33310150	2
F046T200ZB01	2
C330032	8
C301057	2
C300974	4
C223301	2
B046M14A007	4

SERIE : MASTER3 2010 / Prop.

VEER RESSORT SPRING FEDER	BR LRG WID BR	BLADEN LAMES LEAVES BLATT.	B	C	D1	D2	PH FL FA SP	PAK EP TH PAK	DETAIL	MOD	OPMERKINGEN REMARKS REMARKS BEMERKUNGEN
F046T208ZA75	70	1/1	730	730	S16	S14		44	1/18+1/21	F01B.20	



Kit : FK046T200ZB

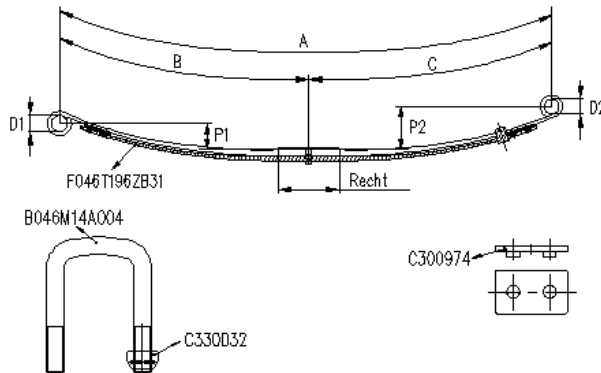
Composition :

C223301	2
C300974	4
C301057	2
C330032	8
C33310150	2
F046T200ZB01	2
B046M14A007	4

SERIE : MASTER3 2010 / Tract

achter-arrière-rear-Hinten

VEER RESSORT SPRING FEDER	BR LRG WID BR	BLADEN LAMES LEAVES BLATT.	B	C	D1	D2	PH FL FA SP	PAK EP TH PAK	DETAIL	MOD	OPMERKINGEN REMARQUES REMARKS BEMERKUNGEN
F046T196ZA75	80	1	730	730	S16	S14	100	19	1/19	F01.20	dowel



Kit : FK046T196ZB

Composition :

C330032	8
F046T196ZB31	2
B046M14A005	4
C300974	4

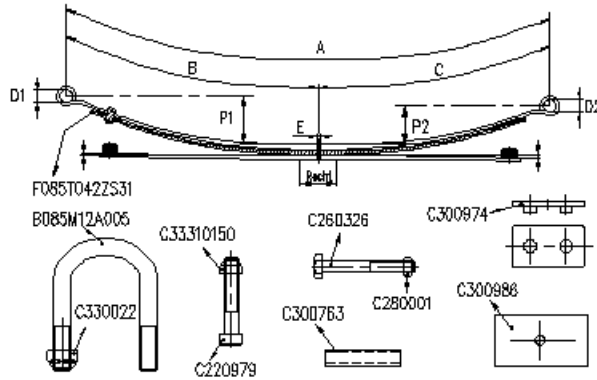


Merk	OE-nummer	Artikelnummer	Groep	Artikelnr versterking
VW	2DO511131AM	F020T886ZA75	LT35	FK020T926ZB
VW	2DO511131D	F020T718ZA75	LT40	FK020T680ZB
VW	2DO511131P	F020T680ZA75	LT40	FK020T680ZB
VW	2DO511131P	F020T856ZA75	LT40	FK020T856ZB
VW	2K0511151AB	F085T056ZA75	CADDY-2004 2KA/2KB	FK085T060XB
VW	2K0511151AD	F085T058ZA75	CADDY-2004 2KA/2KB	FK085T058ZB
VW	2K0511151K	F085T048ZA75	CADDY-2004 2KA/2KB	FK085T060XB
VW	2K0511151M	F085T050ZA75	CADDY-2004 2KA/2KB	FK085T060XB
VW	2K0511151N	F085T052ZA75	CADDY-2004 2KA/2KB	FK085T060XB
VW	2K0511151P	F085T054ZA75	CADDY-2004 2KA/2KB	FK085T060XB
VW	2K0511151SBG	F085T060ZA75	CADDY-2004 2KA/2KB	FK085T060XB
VW	2K3511151E	F085T062ZA75	CADDY MAXI	FK085T042XB
VW	2K3511151G	F085T064ZA75	CADDY MAXI	FK085T042XB
VW	2K3511151H	F085T042ZA75	CADDY MAXI	FK085T042ZB
VW	2K3511151H	F085T042ZA75	CADDY MAXI	FK085T042ZS
VW	2K3511151K	F085T068ZA75	CADDY MAXI	FK085T042ZB
VW	2K3511151P	F085T068ZA75	CADDY MAXI	FK085T042ZB
VW	2K3511151T	F085T066ZA75	CADDY MAXI	FK085T042ZB
VW	9033200406	F020T662ZA75	LT35	FK020T934ZB
VW	9033200406	F020T662ZA75	LT35	FK020T934ZC
VW	9063200206	F020T926ZA75	CRAFTER 50-2006	FK020T926ZB
VW	9063200206	F020T926ZA75	CRAFTER 50-2006	FK020T926ZC
VW	9063200206	F020T926ZA75	CRAFTER 50-2006	FK020T926ZD
VW	9063200406	F020T930ZA75	CRAFTER 35-2006	FK020T930ZB
VW	9063201806	F020T934ZA75	CRAFTER 35-2006	FK020T934ZB
VW	9063201806	F020T934ZA75	CRAFTER 35-2006	FK020T934ZC

SERIE : CADDY MAXI

achter-arrière-rear-Hinten

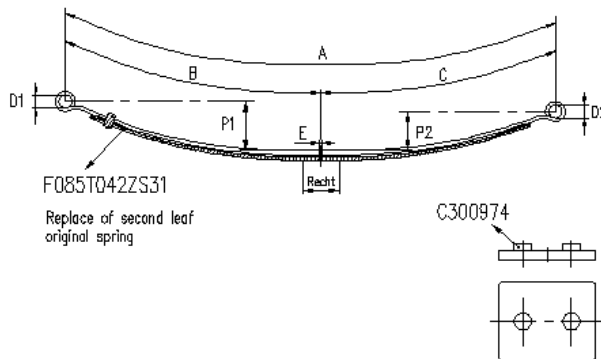
VEER RESSORT SPRING FEDER	BR LRG WID BR	BLADEN LAMES LEAVES BLATT.	B	C	D1	D2	PH FL FA SP	PAK EP TH PAK	DETAIL	MOD	OPMERKINGEN REMARKS BEMERKUNGEN
F085T042ZA75	60	1/1	790	720	S12	S12	130	35	1/18+1/17	F01B.70	



Kit : FK085T042ZB

Composition :

C330022	8
B085M12A005	4
C33310150	2
C300986	2
C300974	4
C300763	2
C280001	2
C260326	2
C220979	2
F085T042ZS31	2



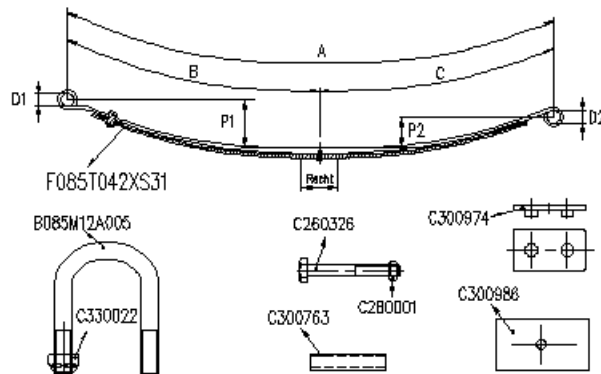
Kit : FK085T042ZS

Composition :

F085T042ZS31	2
C300974	4

SERIE : CADDY MAXI

VEER RESSORT SPRING FEDER	BR LRG WID BR	BLADEN LAMES LEAVES BLATT.	B	C	D1	D2	PH FL FA SP	PAK EP TH PAK	DETAIL	MOD	OPMERKINGEN REMARQUES REMARKS BEMERKUNGEN
F085T062ZA75	60	1	790	720	S12	S12				F01.22	



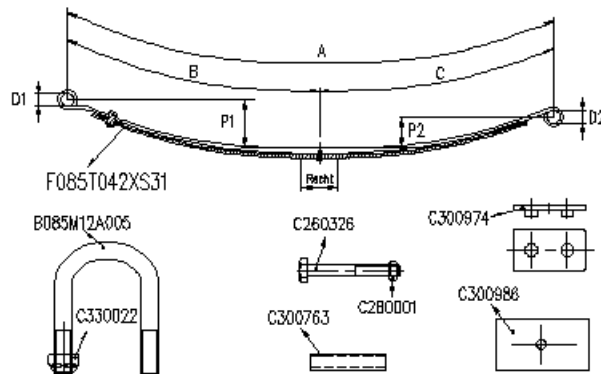
Kit : FK085T042XB

Composition :

C300974	4
F085T042XS31	2
C330022	8
C300986	2
C300763	2
C280001	2
B085M12A005	4
C260326	2

SERIE : CADDY MAXI

VEER RESSORT SPRING FEDER	BR LRG WID BR	BLADEN LAMES LEAVES BLATT.	B	C	D1	D2	PH FL FA SP	PAK EP TH PAK	DETAIL	MOD	OPMERKINGEN REMARQUES REMARKS BEMERKUNGEN
F085T064ZA75	60	1	790	720	S12	S12				F01.22	



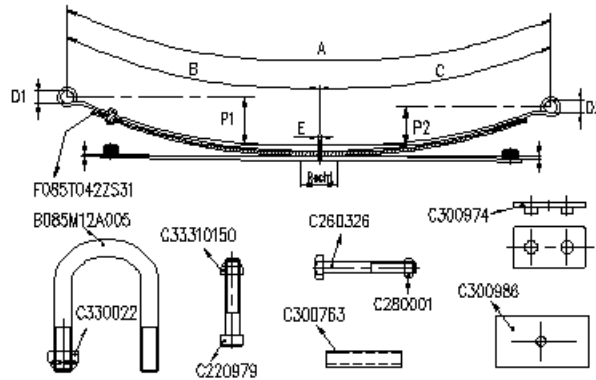
Kit : FK085T042XB

Composition :

C300986	2
B085M12A005	4
F085T042XS31	2
C330022	8
C300763	2
C260326	2
C280001	2
C300974	4

SERIE : CADDY MAXI

VEER RESSORT SPRING FEDER	BR LRG WID BR	BLADEN LAMES LEAVES BLATT.	B	C	D1	D2	PH FL FA SP	PAK EP TH PAK	DETAIL	MOD	OPMERKINGEN REMARQUES REMARKS BEMERKUNGEN
F085T066ZA75	60	1/1	790	720	S12	S12				F01B.70	



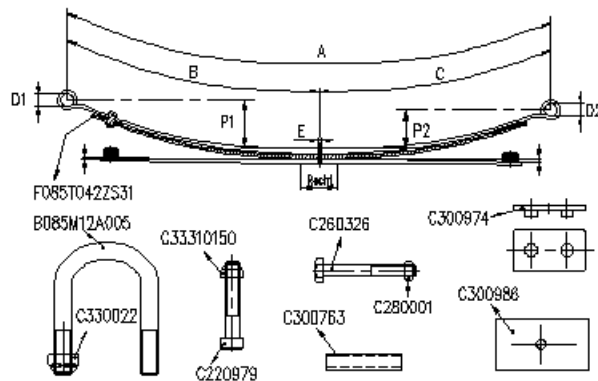
Kit : FK085T042ZB

Composition :

C300763	2
F085T042ZS31	2
C33310150	2
C330022	8
C300974	4
C280001	2
C260326	2
C220979	2
B085M12A005	4
C300986	2

SERIE : CADDY MAXI

VEER RESSORT SPRING FEDER	BR LRG WID BR	BLADEN LAMES LEAVES BLATT.	B	C	D1	D2	PH FL FA SP	PAK EP TH PAK	DETAIL	MOD	OPMERKINGEN REMARQUES REMARKS BEMERKUNGEN
F085T068ZA75	60	1/1	790	720	S12	S12				F01B.70	



Kit : FK085T042ZB

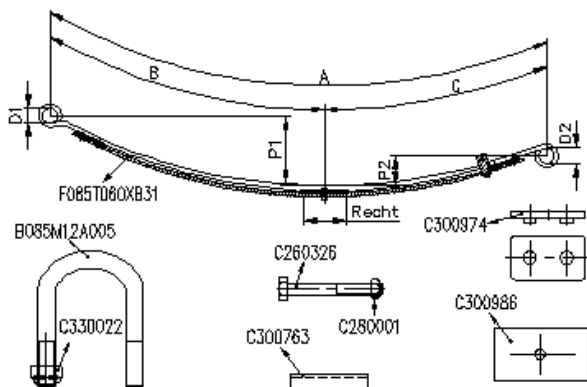
Composition :

C300986	2
F085T042ZS31	2
C33310150	2
C300974	4
C330022	8
C280001	2
C260326	2
C220979	2
B085M12A005	4
C300763	2

SERIE : CADDY-2004 2KA/2KB

achter-arrière-rear-Hinten

VEER RESSORT SPRING FEDER	BR LRG WID BR	BLADEN LAMES LEAVES BLATT.	B	C	D1	D2	PH FL FA SP	PAK EP TH PAK	DETAIL	MOD	OPMERKINGEN REMARKS REMARKS BEMERKUNGEN
F085T048ZA75	60	1	735	575	S12	S12				F01.22	



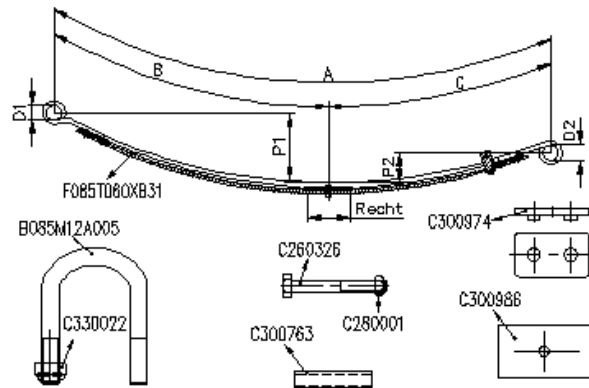
Kit : FK085T060XB

Composition :

C330022	8
F085T060XB31	2
C300986	2
C300974	4
C280001	2
B085M12A005	4
C260326	2
C300763	2

SERIE : CADDY-2004 2KA/2KB

VEER RESSORT SPRING FEDER	BR LRG WID BR	BLADEN LAMES LEAVES BLATT.	B	C	D1	D2	PH FL FA SP	PAK EP TH PAK	DETAIL	MOD	OPMERKINGEN REMARQUES REMARKS BEMERKUNGEN
F085T050ZA75	60	1	735	575	S12	S12		17	1/17	F01.22	



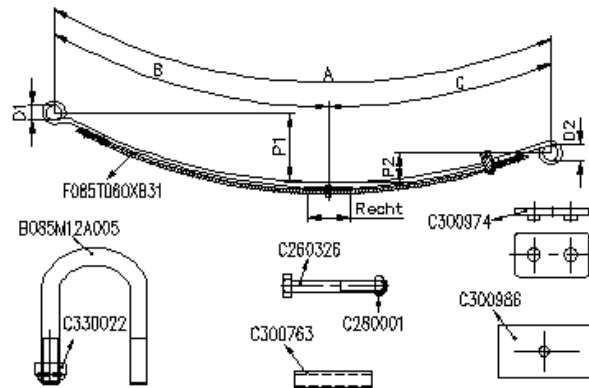
Kit : FK085T060XB

Composition :

C300763	2
F085T060XB31	2
C330022	8
B085M12A005	4
C300974	4
C280001	2
C260326	2
C300986	2

SERIE : CADDY-2004 2KA/2KB

VEER RESSORT SPRING FEDER	BR LRG WID BR	BLADEN LAMES LEAVES BLATT.	B	C	D1	D2	PH FL FA SP	PAK EP TH PAK	DETAIL	MOD	OPMERKINGEN REMARQUES REMARKS BEMERKUNGEN
F085T052ZA75	60	1	735	575	S12	S12				F01.22	



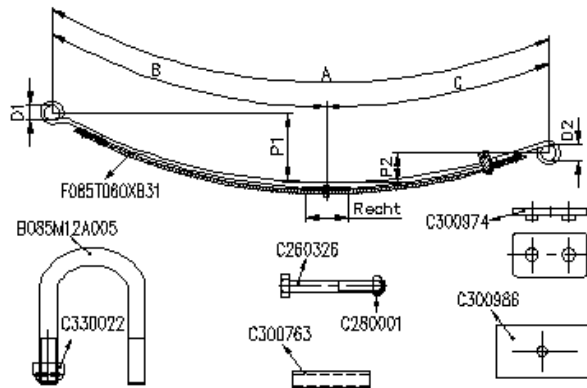
Kit : FK085T060XB

Composition :

C300986	2
B085M12A005	4
C330022	8
F085T060XB31	2
C300763	2
C260326	2
C280001	2
C300974	4

SERIE : CADDY-2004 2KA/2KB

VEER RESSORT SPRING FEDER	BR LRG WID BR	BLADEN LAMES LEAVES BLATT.	B	C	D1	D2	PH FL FA SP	PAK EP TH PAK	DETAIL	MOD	OPMERKINGEN REMARQUES REMARKS BEMERKUNGEN
F085T054ZA75	60	1	735	575	S12	S12				F01.22	



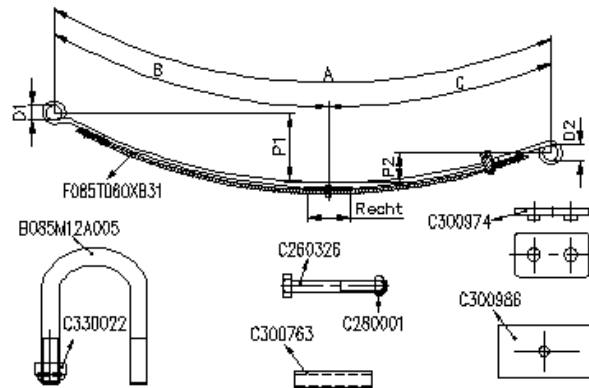
Kit : FK085T060XB

Composition :

C300986	2
C330022	8
C300974	4
C300763	2
C280001	2
C260326	2
B085M12A005	4
F085T060XB31	2

SERIE : CADDY-2004 2KA/2KB

VEER RESSORT SPRING FEDER	BR LRG WID BR	BLADEN LAMES LEAVES BLATT.	B	C	D1	D2	PH FL FA SP	PAK EP TH PAK	DETAIL	MOD	OPMERKINGEN REMARQUES REMARKS BEMERKUNGEN
F085T056ZA75	60	1	735	575	S12	S12				F01.22	



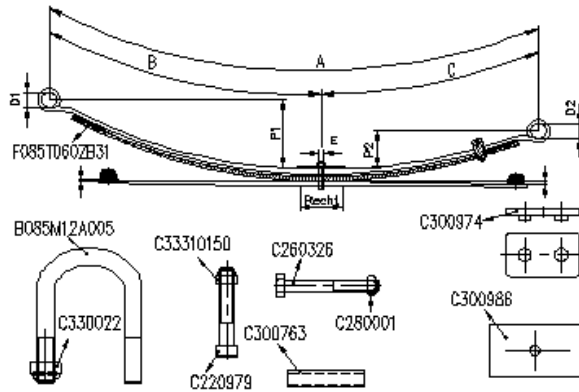
Kit : FK085T060XB

Composition :

B085M12A005	4
C260326	2
C280001	2
C300763	2
C300974	4
C300986	2
C330022	8
F085T060XB31	2

SERIE : CADDY-2004 2KA/2KB

VEER RESSORT SPRING FEDER	BR LRG WID BR	BLADEN LAMES LEAVES BLATT.	B	C	D1	D2	PH FL FA SP	PAK EP TH PAK	DETAIL	MOD	OPMERKINGEN REMARQUES REMARKS BEMERKUNGEN
F085T058ZA75	60	1/1	735	575	S12	S12				F01B.70	



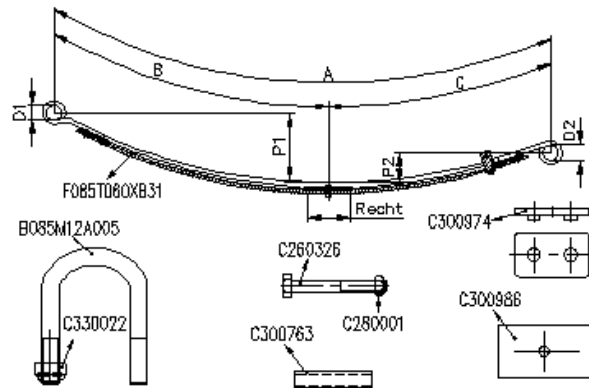
Kit : FK085T058ZB

Composition :

C260326	2
F085T060ZB31	2
B085M14A005	4
C280001	2
C300763	2
C300974	4
C300986	2
C330022	8
C33310150	2
C220979	2

SERIE : CADDY-2004 2KA/2KB

VEER RESSORT SPRING FEDER	BR LRG WID BR	BLADEN LAMES LEAVES BLATT.	B	C	D1	D2	PH FL FA SP	PAK EP TH PAK	DETAIL	MOD	OPMERKINGEN REMARQUES REMARKS BEMERKUNGEN
F085T060ZA75	60	1	735	575	S12	S12			1/17	F01.22	



Kit : FK085T060XB

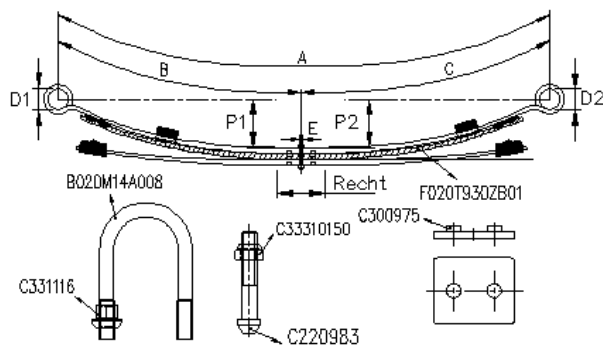
Composition :

F085T060XB31	2
C330022	8
C300986	2
C300974	4
C300763	2
C280001	2
B085M12A005	4
C260326	2

SERIE : CRAFTER 35-2006

achter-arrière-rear-Hinten

VEER RESSORT SPRING FEDER	BR LRG WID BR	BLADEN LAMES LEAVES BLATT.	B	C	D1	D2	PH FL FA SP	PAK EP TH PAK	DETAIL	MOD	OPMERKINGEN REMARQUES REMARKS BEMERKUNGEN
F020T930ZA75	70	1/1	740	755	S12	S12	140	36	2/18	F01B.70	



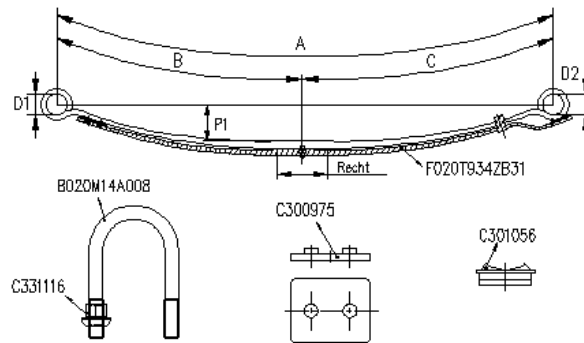
Kit : FK020T930ZB

Composition :

C33310150	2
C331116	8
B020M14A008	4
C220983	2
F020T930ZB01	2
C300975	4

SERIE : CRAFTER 35-2006

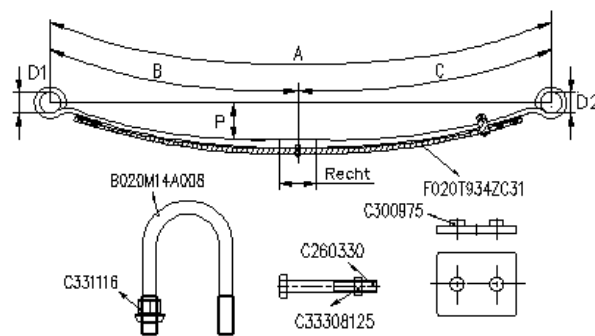
VEER RESSORT SPRING FEDER	BR LRG WID BR	BLADEN LAMES LEAVES BLATT.	B	C	D1	D2	PH FL FA SP	PAK EP TH PAK	DETAIL	MOD	OPMERKINGEN REMARKES REMARKS BEMERKUNGEN
F020T934ZA75	70	1	740	755	S12	S12	105	25	1/25	F01.70	



Kit : FK020T934ZB

Composition :

B020M14A008	4
C300975	2
C301056	2
C331116	8
F020T934ZB31	2



Kit : FK020T934ZC

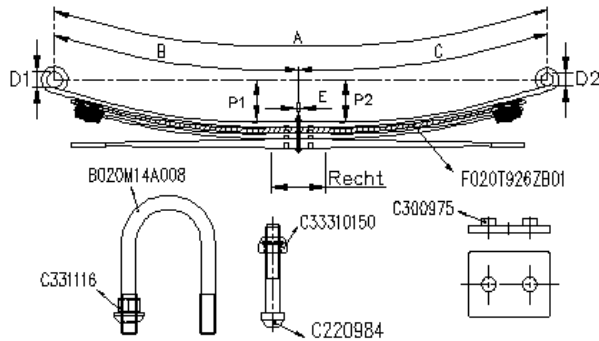
Composition :

C300975	4
F020T934ZC31	2
C331116	8
C260334	2
B020M14A008	4
C33308125	2

SERIE : CRAFTER 50-2006

achter-arrière-rear-Hinten

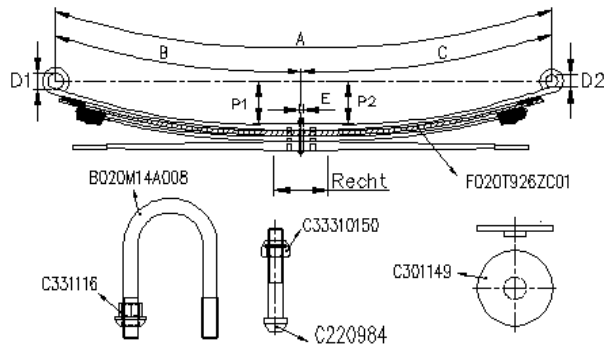
VEER RESSORT SPRING FEDER	BR LRG WID BR	BLADEN LAMES LEAVES BLATT.	B	C	D1	D2	PH FL FA SP	PAK EP TH PAK	DETAIL	MOD	OPMERKINGEN REMARKS BEMERKUNGEN
F020T926ZA75	70	2/1	740	755	S16	S16	125	61	2/17+1/27	F01B	



Kit : FK020T926ZB

Composition :

B020M14A008	4
C220984	2
C300975	4
C331116	8
C33310150	2
F020T926ZB01	2

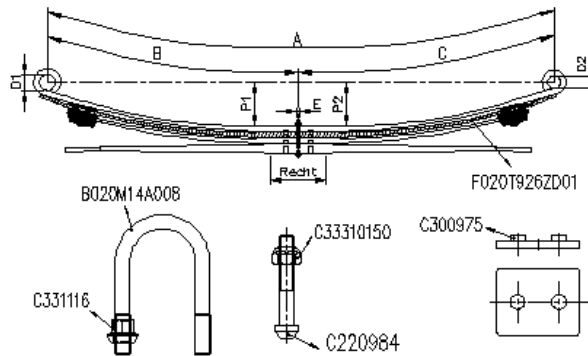


Kit : FK020T926ZC

Composition :

C331116	8
F020T926ZC01	2
C33310150	2
C220984	2
B020M14A008	4
C301149	4

SERIE : CRAFTER 50-2006



Kit : FK020T926ZD

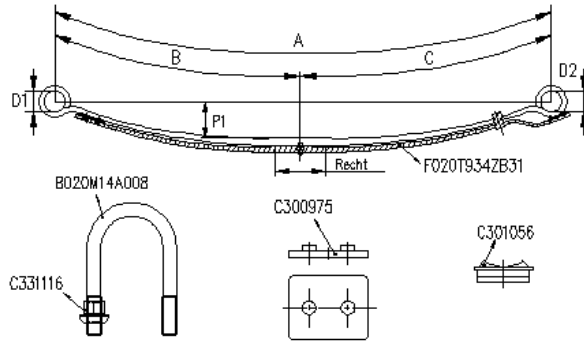
Composition :

B020M14A008	4
C220986	2
C300975	4
C331116	8
C33310150	2
F020T926ZD01	2

SERIE : LT35

achter-arrière-rear-Hinten

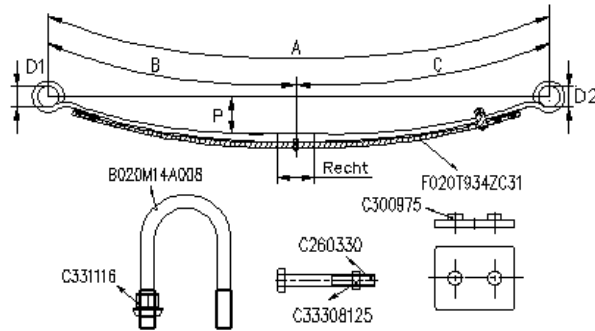
VEER RESSORT SPRING FEDER	BR LRG WID BR	BLADEN LAMES LEAVES BLATT.	B	C	D1	D2	PH FL FA SP	PAK EP TH PAK	DETAIL	MOD	OPMERKINGEN REMARKS BEMERKUNGEN
F020T662ZA75	70	1	740	755	S12	S12	120	25	1/25	F01.22	1e Gen



Kit : FK020T934ZB

Composition :

C300975	2
F020T934ZB31	2
C301056	2
B020M14A008	4
C331116	8



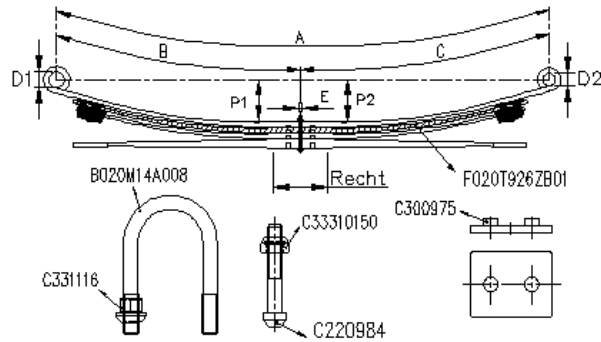
Kit : FK020T934ZC

Composition :

B020M14A008	4
C260330	2
C300975	4
C331116	8
C33308125	2
F020T934ZC31	2

SERIE : LT35

VEER RESSORT SPRING FEDER	BR LRG WID BR	BLADEN LAMES LEAVES BLATT.	B	C	D1	D2	PH FL FA SP	PAK EP TH PAK	DETAIL	MOD	OPMERKINGEN REMARQUES REMARKS BEMERKUNGEN
F020T886ZA75	70	1/1	740	750	S12	S12	135	39	1/19+1/20	F01.22	2e Gen



Kit : FK020T926ZB

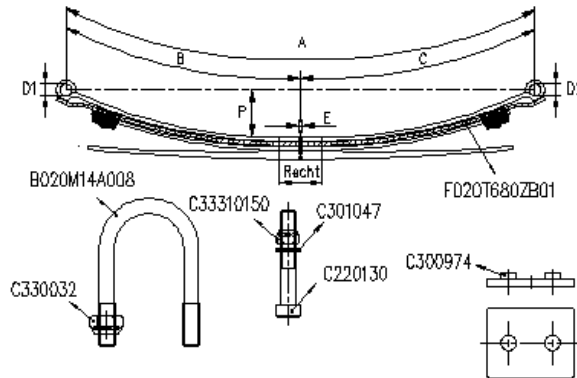
Composition :

C300975	4
F020T926ZB01	2
C331116	8
B020M14A008	4
C220984	2
C33310150	2

SERIE : LT40

achter-arrière-rear-Hinten

VEER RESSORT SPRING FEDER	BR LRG WID BR	BLADEN LAMES LEAVES BLATT.	B	C	D1	D2	PH FL FA SP	PAK EP TH PAK	DETAIL	MOD	OPMERKINGEN REMARQUES REMARKS BEMERKUNGEN
F020T680ZA75	70	2/1	740	750	S16	S16	153	55	1/12+1/15.5+1/28	F01B.70	1e Gen



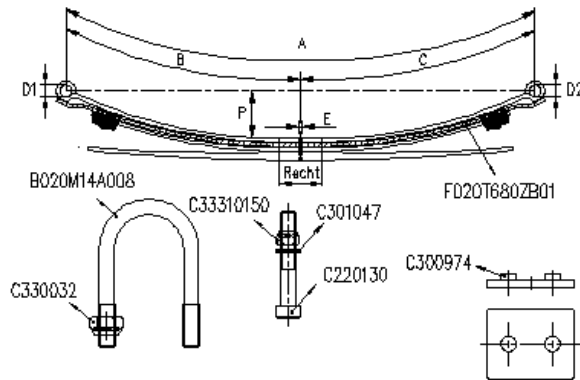
Kit : FK020T680ZB

Composition :

B020M14A008	4
C220130	2
C300974	4
C301047	2
C330032	8
C33310150	2
F020T680ZB01	2

SERIE : LT40

VEER RESSORT SPRING FEDER	BR LRG WID BR	BLADEN LAMES LEAVES BLATT.	B	C	D1	D2	PH FL FA SP	PAK EP TH PAK	DETAIL	MOD	OPMERKINGEN REMARQUES REMARKS BEMERKUNGEN
F020T718ZA75	70	2/1	740	750	S16	S16	126	52	1/12+1/15.5+1/25	F01B.70	1e Gen

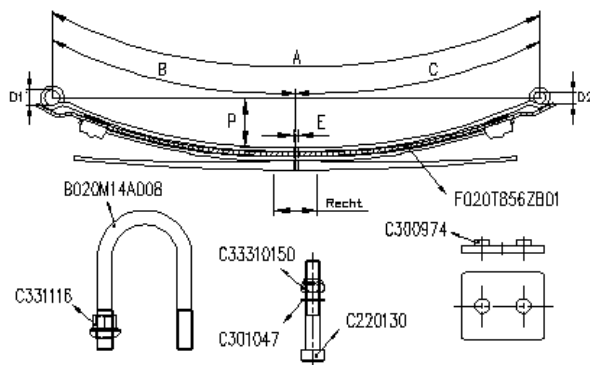


Kit : FK020T680ZB

Composition :

C220130	2
F020T680ZB01	2
C33310150	2
C330032	8
C300974	4
B020M14A008	4
C301047	2

VEER RESSORT SPRING FEDER	BR LRG WID BR	BLADEN LAMES LEAVES BLATT.	B	C	D1	D2	PH FL FA SP	PAK EP TH PAK	DETAIL	MOD	OPMERKINGEN REMARQUES REMARKS BEMERKUNGEN
F020T856ZA75	70	2/1	740	750	S16	S16	153	55	1/12+1/15.5+1/28	F01B.70	2e Gen (PW)



Kit : FK020T856ZB

Composition :

F020T856ZB01	2
B020M14A008	4
C220130	2
C300974	4
C301047	2
C331116	8
C33310150	2