

TRUCKLINE DOES NOT HAVE ANY COMPANY RELATIONSHIP WITH THE FIRMS, WHICH BRANDS ARE SHOWN IN THIS CATALOGUE.

ORIGINAL PART NUMBERS ARE USED SO AS TO IDENTIFY THE PRODUCTS WE OFFER, IN THE SOLE PURPOSE OF CUSTOMERS' RECOGNITION OF THE ITEMS SOLD.

INDEX

COMPRESSOR No.	PAGE
ACTROS	84
IKARUS	88
RVI 100 mm	87
1194135	6
1194194	6
1194233	6
1194275	6
1194357	6
1194410	6
1194415	6
1194421	6
1194430	6
1194454	6
1194455	6
1194456	6
1194458	6
1537749	18
1013074000	35
1013077000	29
1013078000	35
1013080000	35
1013081000	35
1013083000	35
1013084000	35
1013085000	35
1013099000	35
1013167000	35
1013277000	35
1013278000	35
1013281000	35
1013283000	35
1013284000	35
1013285000	35
1013378000	35
1013383000	35
1013387000	35
1013391000	29
1013393000	35
1013395000	29
1013397000	29
1013398000	35
1013491000	29
352.130.0615	86
407.130.0115	72
407.130.0515	72
407.130.0615	72
411 034 .. 0	44
411 042 .. 0	44
411 043 .. 0	44
411 140 .. 0	45
411 141 .. 0	45
411 141 550 0	47

COMPRESSOR No.	PAGE
411 141 551 0	47
411 142 ... 0	46
411 143 ... 0	46
411 145 001 0	45
411 145 003 0	45
411 145 004 0	45
411 145 005 0	45
411 145 050 0	45
411 145 051 0	47
411 145 052 0	47
411 145 053 0	47
411 145 057 0	47
411 145 505 0	47
411 145 507 0	47
411 145 512 0	47
411 147 ... 0	46
411 151 000 0	48
411 151 003 0	50
411 151 004 0	49
411 153 000 0	48
411 154 000 0	50
411 553 000 0	51
411 553 001 0	52
412 352 001 0	53
412 352 002 0	53
412 352 003 0	54
412 352 004 0	55
412 352 005 0	55
412 352 006 0	56
412 352 007 0	56
412 352 008 0	57
412 352 009 0	56
412 352 010 0	56
412 352 011 0	56
412 352 013 0	56
412 352 014 0	56
412 352 015 0	56
412 352 016 0	56
412 442 000 0	58
412 442 001 0	58
412 636 000 0	51
412 636 001 0	52
412 704 000 0	59
412 704 001 0	59
412 704 002 0	59
412 704 004 0	59
412 704 005 0	59
412 704 006 0	59
412 704 007 0	59
412 704 008 0	59
412 704 010 0	59
412 704 011 0	59

COMPRESSOR No.	PAGE
412 704 012 0	59
412 704 013 0	59
412 704 014 0	59
412 704 015 0	59
442.130.2815	82
447.130.0515	72
447.130.1815	72
51.54000.7055	74
51.54000.7058	72
51.54000.7064	74
51.54000.7073	72
51.54000.7074	72
51.54000.7079	78
51.54114.7002	80
61.324	88
911 145 050 0	60
911 145 060 0	60
911 145 500 0	60
911 145 560 0	60
911 145 561 0	60
911 153 000 0	48
911 153 001 0	48
911 501 000 0	62
911 501 056 0	62
911 501 057 0	62
911 501 058 0	62
911 501 059 0	62
911 501 060 0	63
911 501 061 0	63
911 501 062 0	62
911 503 050 0	64
911 503 051 0	64
911 504 050 0	65
911 504 051 0	65
911 504 052 0	65
911 504 056 0	66
911 504 059 0	66
911 504 060 0	66
911 504 500 0	67
911 504 501 0	67
911 504 503 0	67
911 504 504 0	58
911 504 505 0	58
911 505 050 0	63
911 505 051 0	63
911 505 150 0	68
911 505 151 0	68
911 505 154 0	68
911 506 050 0	64
911 506 050 0	64
911 506 052 0	64
911 506 054 0	64

INDEX

COMPRESSOR No.	PAGE	COMPRESSOR No.	PAGE	COMPRESSOR No.	PAGE
911 506 500 0	69	ACX83AS	42	LK3910	12
911 506 501 0	69	CSONKA	88	LK3911	12
911 506 503 0	69	KZ 1114	4	LK3916	12
911 506 504 0	69	KZ 1143/1	5	LK3918	12
911 506 505 0	69	KZ 1228/1	3	LK3921	12
911 514 001 0	61	KZ 396/3	3	LK3924	12
911 514 002 0	61	KZ 415/2	3	LK3925	12
911 553 000 0	70	KZ 433	3	LK3927	12
911 553 001 0	70	KZ 456	3	LK3933	12
911 553 002 0	71	KZ 642/2	3	LK3941	12
911 553 003 0	71	KZ 996/2	3	LK3943	12
911 553 100 0	71	LK13..	7	LK3977	14
911 553 101 0	71	LK15..	7	LK3994	14
911 553 103 0	71	LK18..	8	LK4908	15
911 553 104 0	71	LK19..	8	LK4909	15
911 553 105 0	71	LK35..	10	LK4910	15
911 553 200 0	71	LK3802	12	LK4911	15
911 553 202 0	71	LK3805	12	LK4913	15
912 112 000 0	55	LK3806	12	LK4918	16
912 114 000 0	55	LK3808	12	LK4919	16
912 117 000 0	54	LK3809	12	LK4920	16
912 142 000 0	55	LK3812	12	LK4921	16
912 510 000 0	52	LK3826	12	LK4930	18
AC67	37	LK3832	12	LK4931	15
AC71C	40	LK3833	11	LK4932	15
AC74ZA	40	LK3834	11	LK4934	17
AC77A	40	LK3835	11	LK4935	6
AC77B	40	LK3836	11	LK4936	6
AC79B	40	LK3837	11	LK4937	6
AC79B	40	LK3838	11	LK4939	15
AC79C	40	LK3839	11	LK4941	36
AC79C	40	LK3840	11	LK4952	6
AC79GC	40	LK3841	11	LP13..	19
AC80A	40	LK3843	11	LP15..	19
ACX68	38	LK3845	11	LP18..	20
ACX69	39	LK3846	11	LP19..	20
ACX75ZA	40	LK3847	11	LP3812	22
ACX75ZBX	40	LK3850	11	LP3821	22
ACX75ZF	40	LK3852	11	LP3830	24
ACX75ZFG	40	LK3853	11	LP3832	23
ACX75ZG	40	LK3854	11	LP3833	23
ACX75ZGG	40	LK3855	11	LP3842	22
ACX75ZM	40	LK3857	11	LP3843	23
ACX75ZMG	40	LK3859	11	LP3844	22
ACX77A	40	LK3867	11	LP3852	23
ACX77B	40	LK3875	11	LP3857	23
ACX79CG	40	LK3878	11	LP3860	23
ACX80AA	42	LK3901	12	LP3861	23
ACX82A	42	LK3902	12	LP3862	23
ACX82AS	42	LK3904	12	LP3901	26
ACX82BXS	42	LK3907	12	LP3916	26
ACX83A	42	LK3908	12	LP3928	24

INDEX

COMPRESSOR No.	PAGE
LP3934	24
LP3940	24
LP3943	24
LP3970	14
LP3974	14
LP3975	24
LP3977	14
LP3980	27
LP3986	27
LP4812	28
LP4813	28
LP4814	28
LP4815	28
LP4818	29
LP4819	32
LP4820	31
LP4821	31
LP4823	30
LP4825	31
LP4827	32
LP4828	32
LP4830	30
LP4831	32
LP4832	29
LP4833	32
LP4838	32
LP4840	32
LP4842	28
LP4843	32
LP4844	28
LP4845	32

COMPRESSOR No.	PAGE
LP4846	32
LP4848	32
LP4849	32
LP4850	30
LP4851	32
LP4852	28
LP4853	32
LP4857	6
LP4858	6
LP4914	33
LP4916	33
LP4921	33
LP4922	16
LP4925	33
LP4927	16
LP4930	34
LP4934	34
LP4939	35
LP4940	29
LP4941	35
LP4942	29
LP4943	35
LP4944	29
LP4945	35
LP4948	34
LP4949	34
LP4949	34
LP4955	34
LP4957	36
LP4960	34
LP4961	34

COMPRESSOR No.	PAGE
LP4963	36
LP4964	36
LP4965	36
LP4966	36
LP4967	34
LP4968	34
LP4969	16
LP4970	16
LP4974	34
LP4977	34
LP4979	34
LP4983	16
LP4984	16
LP4985	16
LP4986	16
LP4988	16
LP4989	16
LP4990	16
LP4991	16
LP4992	16
LP4993	16
LP4994	16
LP4995	16
LP4996	16
LP4997	16
LP4998	34
LP4999	34
TUFLO 500	1
TUFLO 501	2
TUFLO 600	1
TUFLO 700	1

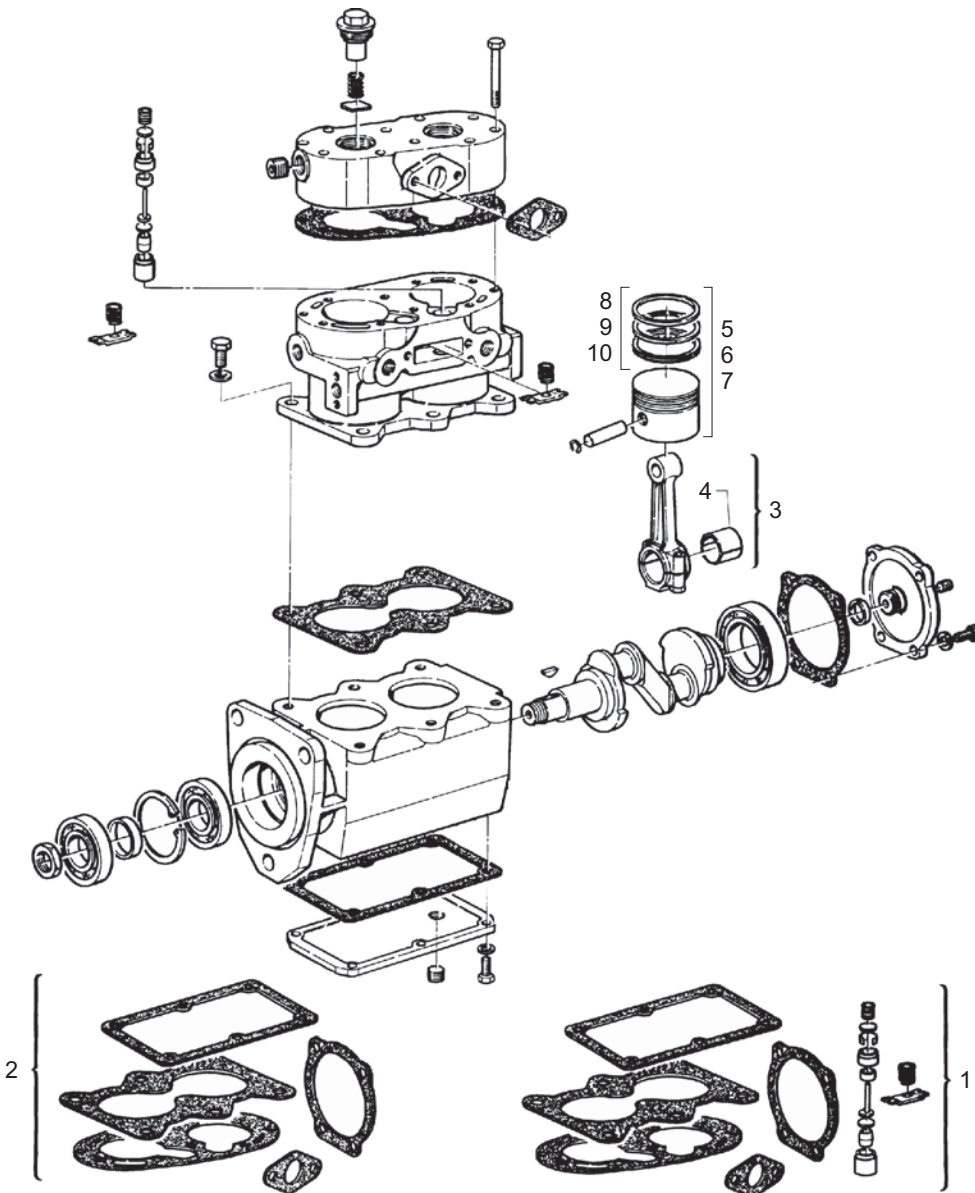
NOTE

A large yellow rectangular area containing 25 horizontal lines, intended for handwritten notes.

BENDIX

TUFLO 600, TUFLO 700

TUFLO 500



BX.4150.007

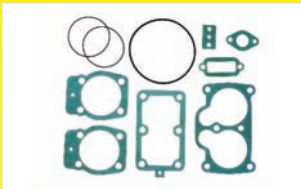


BX.4150.016

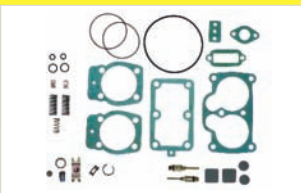
No.	Description	Truckline No.	Other Informations
1	Gasket and Valve Set	BX.4150.016	
2	Gasket Set	BX.4150.007	
3	Connecting Rod	BX.4150.009	
4	Connecting Rod Bearing	BX.4150.021	
5	Piston 63,5 mm	BX.4150.010	only TUFLO 500
6	Piston 63,75 mm	BX.4150.011	only TUFLO 500
7	Piston 64 mm	BX.4150.012	only TUFLO 500
8	Piston Ring Set 63,5 mm	BX.4150.013	3/32", 3/32", 1/8", 3/32", 1/8" - only TUFLO 500
9	Piston Ring Set 63,75 mm	BX.4150.014	3/32", 3/32", 1/8", 3/32", 1/8" - only TUFLO 500
10	Piston Ring Set 64 mm	BX.4150.015	3/32", 3/32", 1/8", 3/32", 1/8" - only TUFLO 500

BENDIX

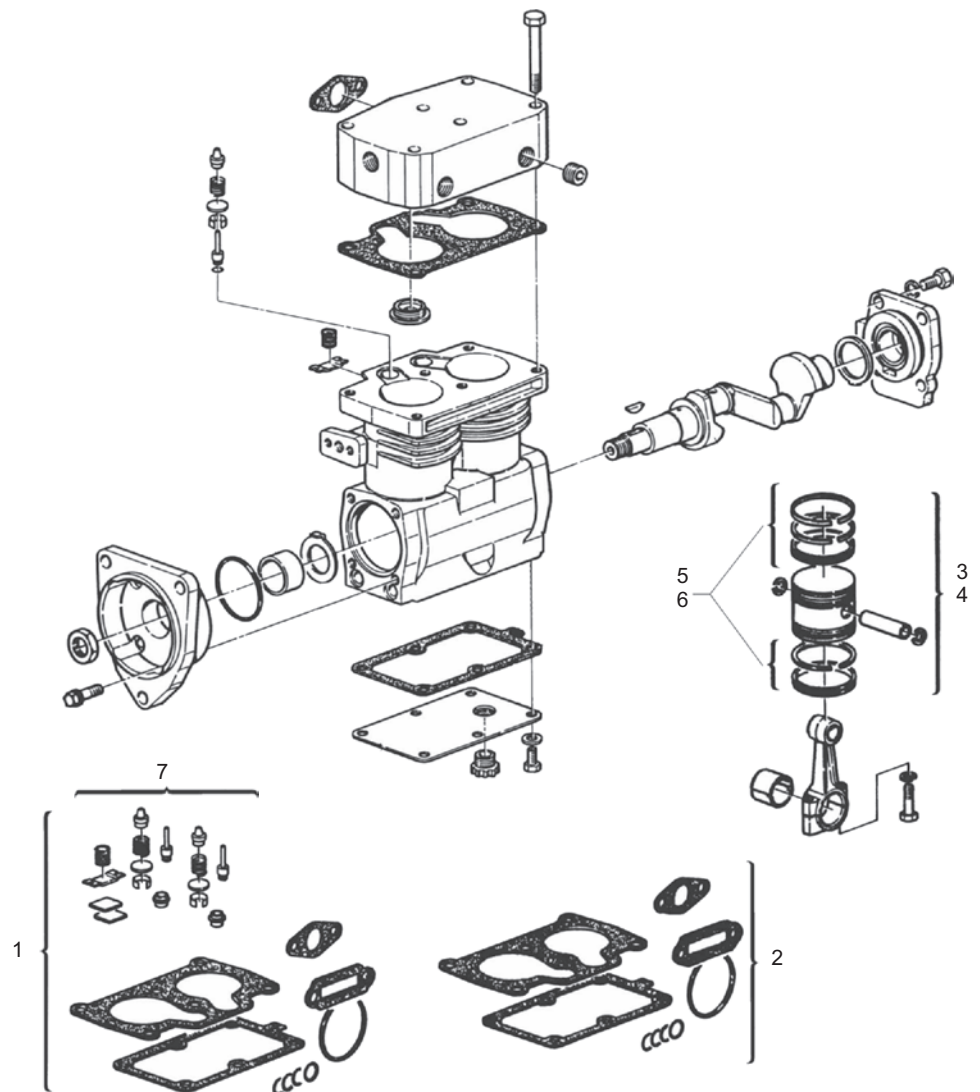
TUFLO 501



BX.4250.013



BX.4250.014

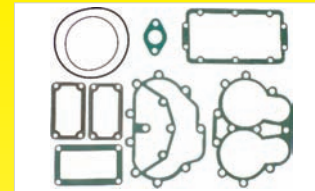
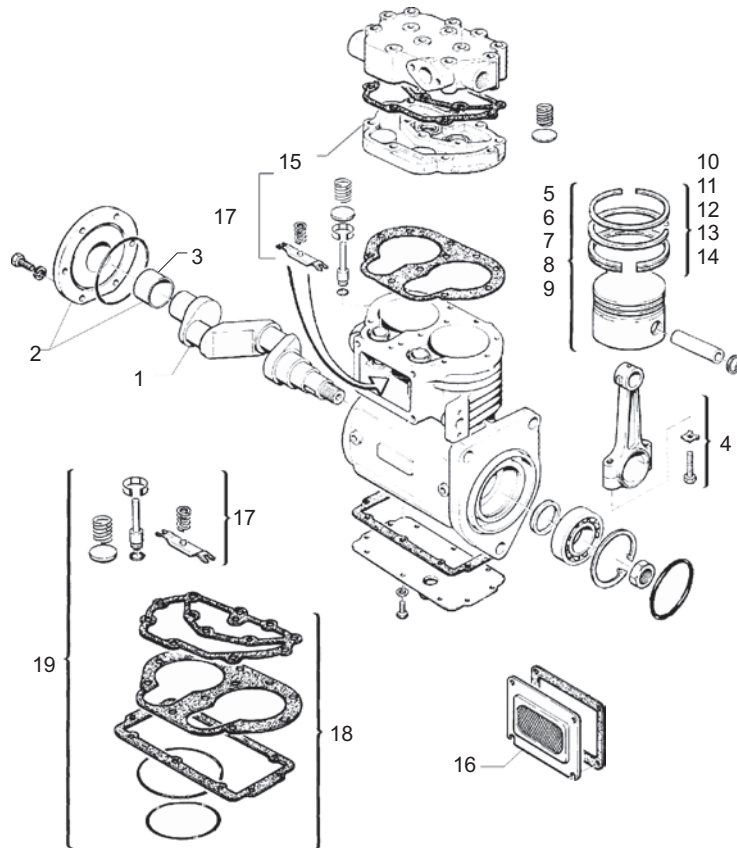


No.	Description	Truckline No.	Other Informations
1	Gasket and Valve Set	BX.4250.014	
2	Gasket Set	BX.4250.013	
3	Piston 66,6 mm	BX.4250.008	
4	Piston 66,6 mm +0,25	BX.4250.009	
5	Piston Ring Set 66,6 mm	BX.4250.010	
6	Piston Ring Set 66,6 mm +0,25	BX.4250.011	
7	Valve Set	BX.4250.012	

BENDIX

KZ 642/2

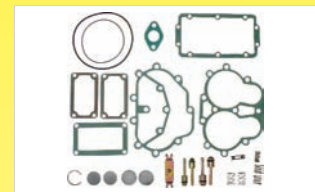
KZ 396/3, KZ 1228/1, KZ 996/2, KZ 415/2, KZ 456, KZ 433



BX.4000.009



BX.4000.012



BX.4000.217

No.	Description	Truckline No.	Other Informations
1	Crankshaft	BX.4000.005	
2	Flange Rear with Bearing	BX.4000.006	
3	Bearing Flange Rear	BX.4000.106	
4	Connecting Rod	BX.4000.013	
5	Piston 75 mm	BX.4000.014	
6	Piston 75,25 mm	BX.4000.015	
7	Piston 75,50 mm	BX.4000.016	
8	Piston 75,75 mm	BX.4000.117	
9	Piston 76 mm	BX.4000.118	
10	Piston Ring Set 75 mm	BX.4000.017	3/32" - 3/32" - 5/32"
11	Piston Ring Set 75,25 mm	BX.4000.018	3/32" - 3/32" - 5/32"
12	Piston Ring Set 75,5 mm	BX.4000.019	3/32" - 3/32" - 5/32"
13	Piston Ring Set 75,75 mm	BX.4000.020	3/32" - 3/32" - 5/32"
14	Piston Ring Set 76 mm	BX.4000.021	3/32" - 3/32" - 5/32"
15	Valve Plate	BX.4000.004	
16	Air Filter	BX.4000.022	
17	Valve Set	BX.4000.012	
18	Gasket Set	BX.4000.009	
19	Gasket + Valve Set	BX.4000.217	
20	Compressor Gear	BX.4000.105	for KZ 433
21	Crankcase Cover	BX.4000.010	

BENDIX

KZ1114



BX.5000.052



BX.5000.053

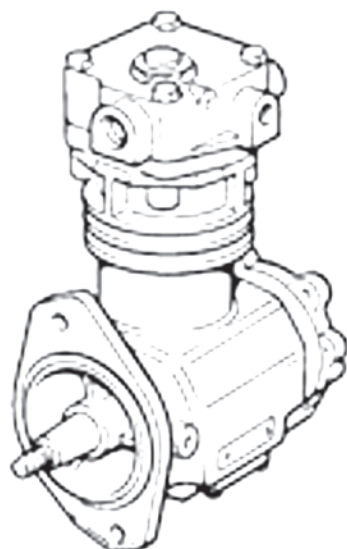


BX.5000.056

No.	Description	Truckline No.	Other Informations
1	Piston 75 mm	BX.4000.014	
2	Piston 75,25 mm	BX.4000.015	
3	Piston 75,50 mm	BX.4000.016	
4	Piston 75,75 mm	BX.4000.117	
5	Piston 76 mm	BX.4000.118	
6	Piston Ring Set 75 mm	BX.4000.017	3/32" - 3/32" - 5/32"
7	Piston Ring Set 75,25 mm	BX.4000.018	3/32" - 3/32" - 5/32"
8	Piston Ring Set 75,5 mm	BX.4000.019	3/32" - 3/32" - 5/32"
9	Piston Ring Set 75,75 mm	BX.4000.020	3/32" - 3/32" - 5/32"
10	Piston Ring Set 76 mm	BX.4000.021	3/32" - 3/32" - 5/32"
11	Gasket Set	BX.5000.056	
12	Valve Set	BX.5000.053	
13	Gasket + Valve Set	BX.5000.052	

BENDIX

KZ1143/4



BX.5000.062



BX.5000.063



BX.5000.066

No.	Description	Truckline No.	Other Informations
1	Piston 80 mm	BX.5000.020	
2	Piston 80,50 mm	BX.5000.021	
3	Piston 81,00 mm	BX.5000.022	
6	Piston Ring Set 80 mm	BX.5000.026	
7	Piston Ring Set 80,50 mm	BX.5000.027	
8	Piston Ring Set 81,00 mm	BX.5000.028	
11	Gasket Set	BX.5000.066	
12	Valve Set	BX.5000.063	
13	Gasket + Valve Set	BX.5000.062	

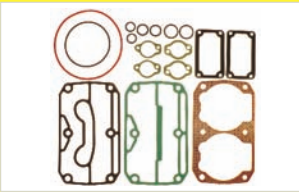
KNORR

1194135

1194194, 1194233, 1194275, 1194357, 1194410, 1194415, 1194421, 1194430, 1194454, 1194455, 1194456, 1194458, LK4935, LK4936, LK4937, LK4952, LP4857, LP4858



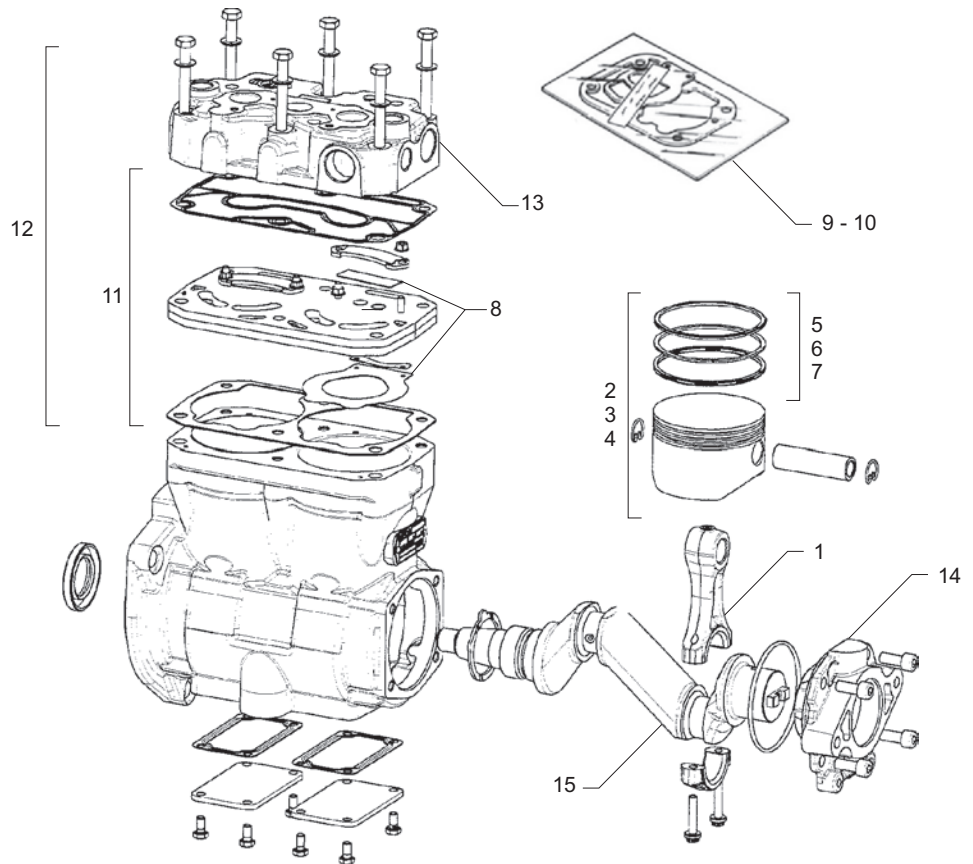
KR.1700.041



KR.1700.042



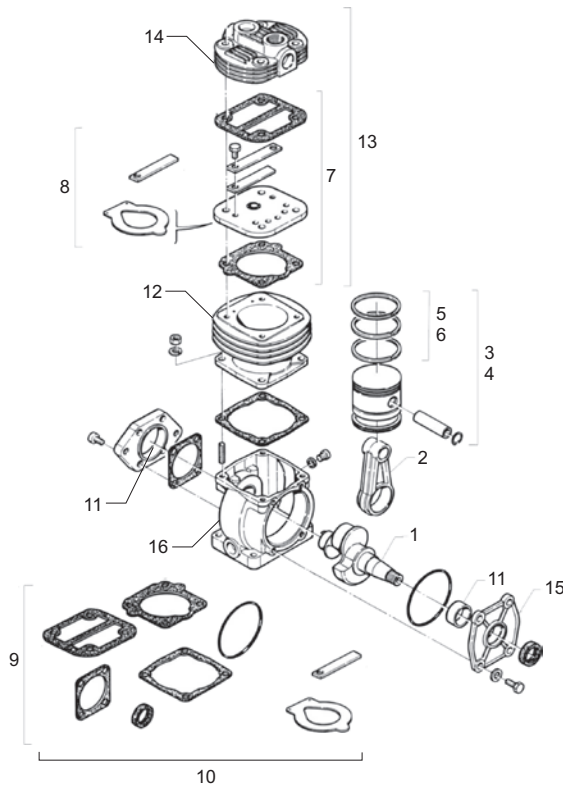
KR.1700.043



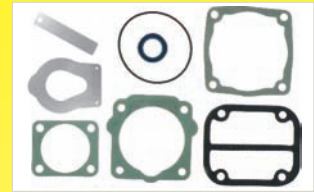
No.	Description	Truckline No.	Other Informations
1	Connecting Rod	KR.1700.004	Volume 464 cm3
1	Connecting Rod	KR.1700.005	Volume 628 cm3
2	Piston 86,00 mm	KR.1700.012	
3	Piston 86,25 mm	KR.1700.013	
4	Piston 86,50 mm	KR.1700.014	
5	Piston Ring Set 86,00 mm	KR.1700.015	
6	Piston Ring Set 86,25 mm	KR.1700.016	
7	Piston Ring Set 86,50 mm	KR.1700.017	
8	Valve Set	KR.1700.043	
9	Gasket Set	KR.1700.042	
10	Gasket + Valve Set	KR.1700.041	
11	Valve Plate Complete	KR.1700.020	
12	Cylinder Head Complete	KR.1700.021	
13	Cylinder Up Head	KR.1700.022	
14	Crankshaft Flange Rear	KR.1700.023	
15	Crankshaft	KR.1700.024	

KNORR

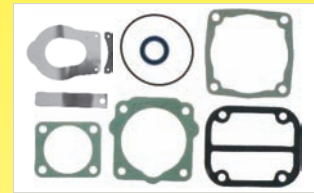
LK13.., LK15..



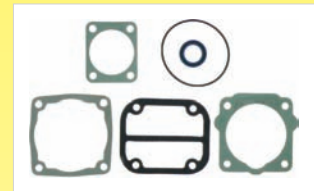
KR.5300.038



KR.5300.040



KR.5300.039



KR.5300.013



KR.5300.014



KR.5300.020



KR.7200.053

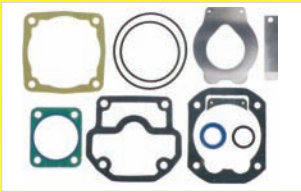
No.	Description	Truckline No.	Other Informations
1	Crankshaft	KR.5300.006	for LK13..
1	Crankshaft	KR.5400.005	for LK15..
1	Crankshaft	KR.4500.004	for example LK1527 and other
2	Connecting Rod	KR.5300.004	for LK15..
2	Connecting Rod	KR.5500.004	for example LK1527 and other
3	Piston 75 mm	KR.5300.009	
4	Piston 75,50 mm	KR.5300.018	
5	Piston Ring Set 75 mm	KR.5300.011	2,5 - 2,5 - 2,5 - 4
6	Piston Ring Set 75,50 mm	KR.5300.019	2,5 - 2,5 - 2,5 - 4
7	Valve Plate Complete	KR.5300.015	
8	Valve Set	KR.5300.014	
8	Valve Set	KR.5300.020	for LK1337
8	Valve Set	KR.7200.053	for LK1554/55/67
9	Gasket Set	KR.5300.013	
10	Gasket and Valve Set	KR.5300.038	
10	Gasket and Valve Set	KR.5300.040	for LK1337
10	Gasket and Valve Set	KR.5300.039	for LK1554/55/67
11	Crankshaft Bearing Front	KR.5400.003	
11	Crankshaft Bearing Rear	KR.5400.021	
12	Cylinder Liner	KR.5300.037	
13	Cylinder Head Complete	KR.5300.060	
14	Cylinder Up Head	KR.5300.061	
15	Bearing Flange Front	KR.5300.062	
15	Bearing Flange Front	KR.5300.063	
16	Crankcase	KR.5300.070	

KNORR

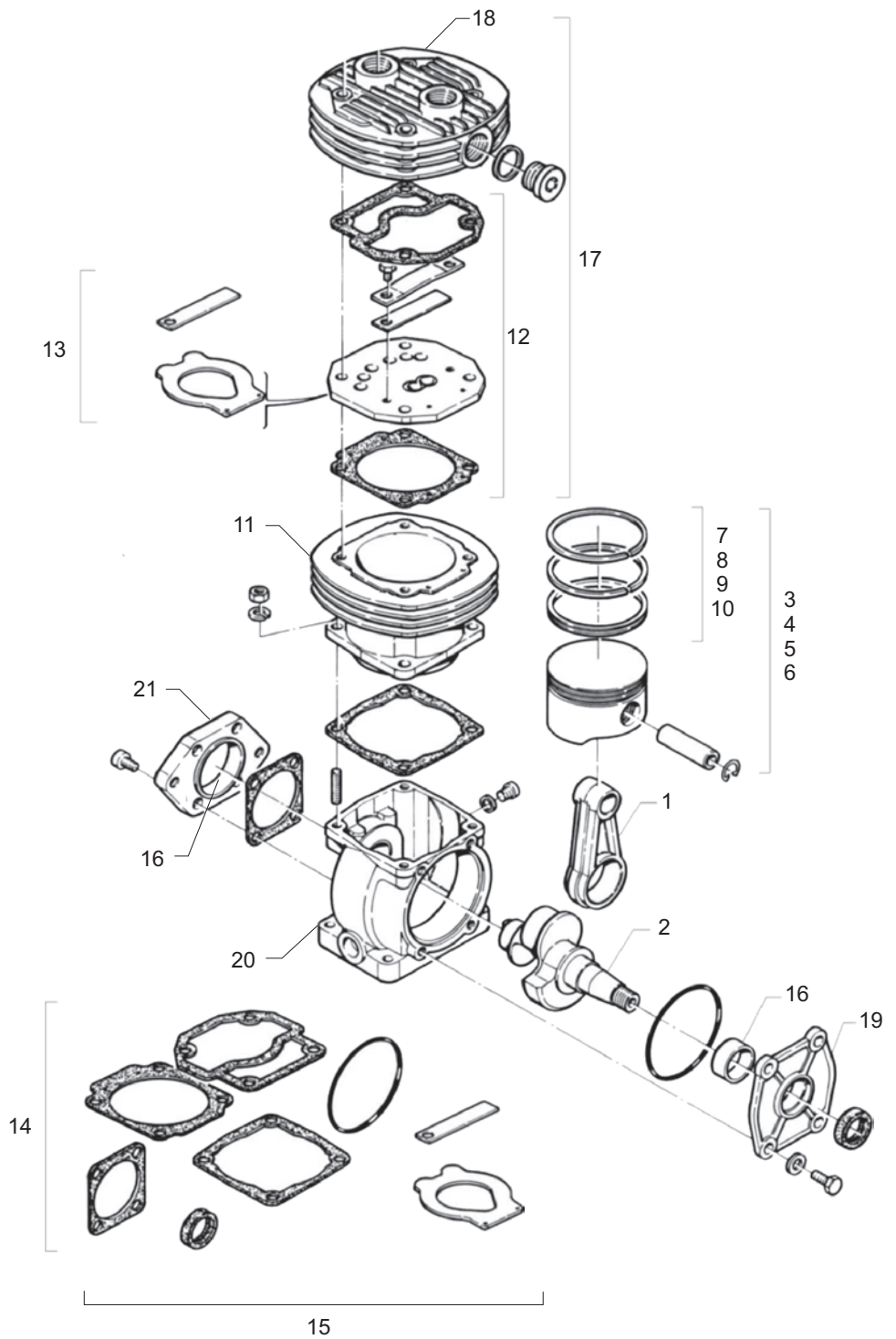
LK18.., LK19..



KR.5400.012



KR.5400.029



KNORR

LK18.., LK19..

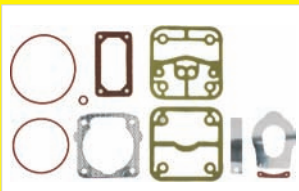


KR.5400.013

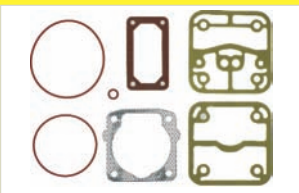
No.	Description	Truckline No.	Other Informations
1	Connecting Rod	KR.5300.004	for LK18..
1	Connecting Rod	KR.5500.004	for LK18.., LK19..
2	Crankshaft	KR.5400.005	for LK18..
2	Crankshaft	KR.5400.006	for LK1813
2	Crankshaft	KR.4500.004	for example for LK18..
2	Crankshaft	KR.5400.001	for LK19..
2	Crankshaft	KR.5400.002	for LK19..
3	Piston 88 mm	KR.5400.008	
4	Piston 88,25 mm	KR.5400.009	
5	Piston 88,50 mm	KR.5400.007	
6	Piston 89 mm	KR.5400.109	
7	Piston Ring Set 88 mm	KR.5400.010	2,5 – 2,5 – 4
8	Piston Ring Set 88,25 mm	KR.5400.011	2,5 – 2,5 – 4
9	Piston Ring Set 88,50 mm	KR.5400.019	2,5 – 2,5 – 4
10	Piston Ring Set 89 mm	KR.5400.119	2,5 – 2,5 – 4
11	Cylinder Liner	KR.5400.027	for LK1802/05/06/08/11/12
11	Cylinder Liner	KR.5400.028	for LK1813/14/17
11	Cylinder Liner	KR.5500.028	for LK1900/01/03/04/06/07/08/09
12	Valve Plate Complete	KR.5400.014	
13	Valve Set	KR.5400.013	
14	Gasket Set	KR.5400.012	
15	Gasket and Valve Set	KR.5400.029	
16	Crankshaft Bearing Front	KR.5400.003	
16	Crankshaft Bearing Rear	KR.5400.021	
17	Cylinder Head Complete	KR.5400.016	
17	Cylinder Head Complete	KR.5400.017	for LK1813
18	Cylinder Up Head	KR.5400.018	
18	Cylinder Up Head	KR.5400.020	for LK1813
19	Bearing Flange Front	KR.5300.062	
19	Bearing Flange Front	KR.5400.066	
20	Crankcase	KR.5300.070	
20	Crankcase	KR.5400.070	for LK1813
21	Bearing Flange Front	KR.5400.071	
21	Bearing Flange Front	KR.5400.072	for LK1813
22	Connecting Rod Bearing	KR.5500.003	for Connecting Rod KR.5500.004

KNORR

LK35..



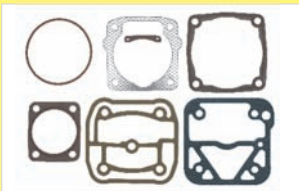
KR.7200.051



KR.7200.052



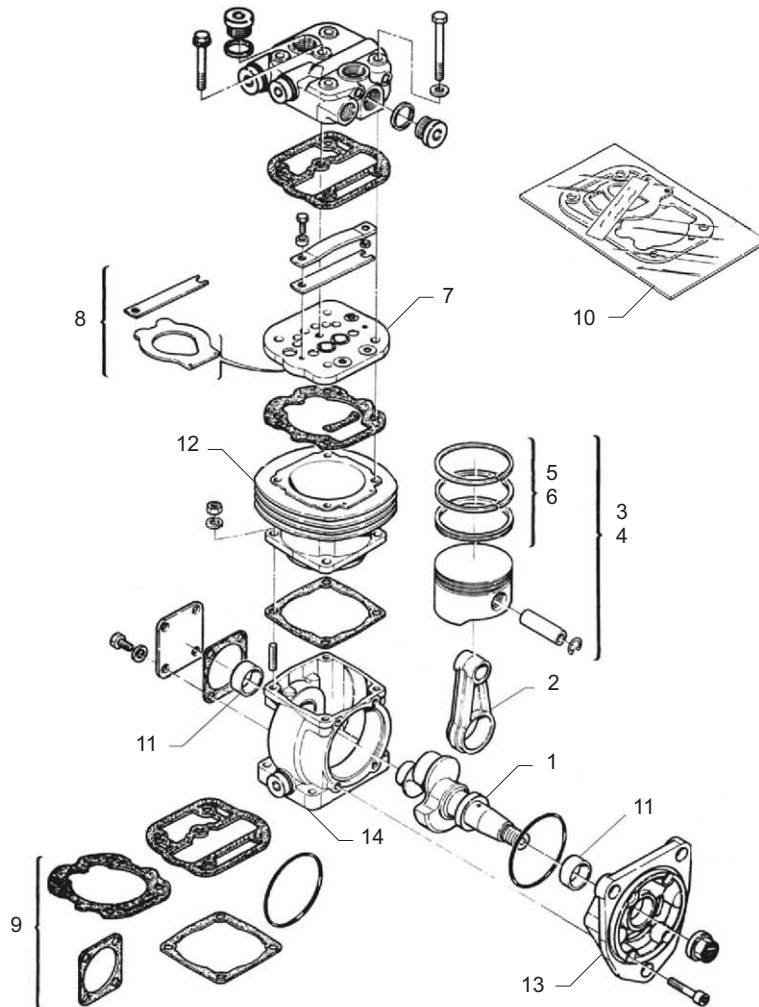
KR.7200.053



KR.7200.152



KR.7200.151

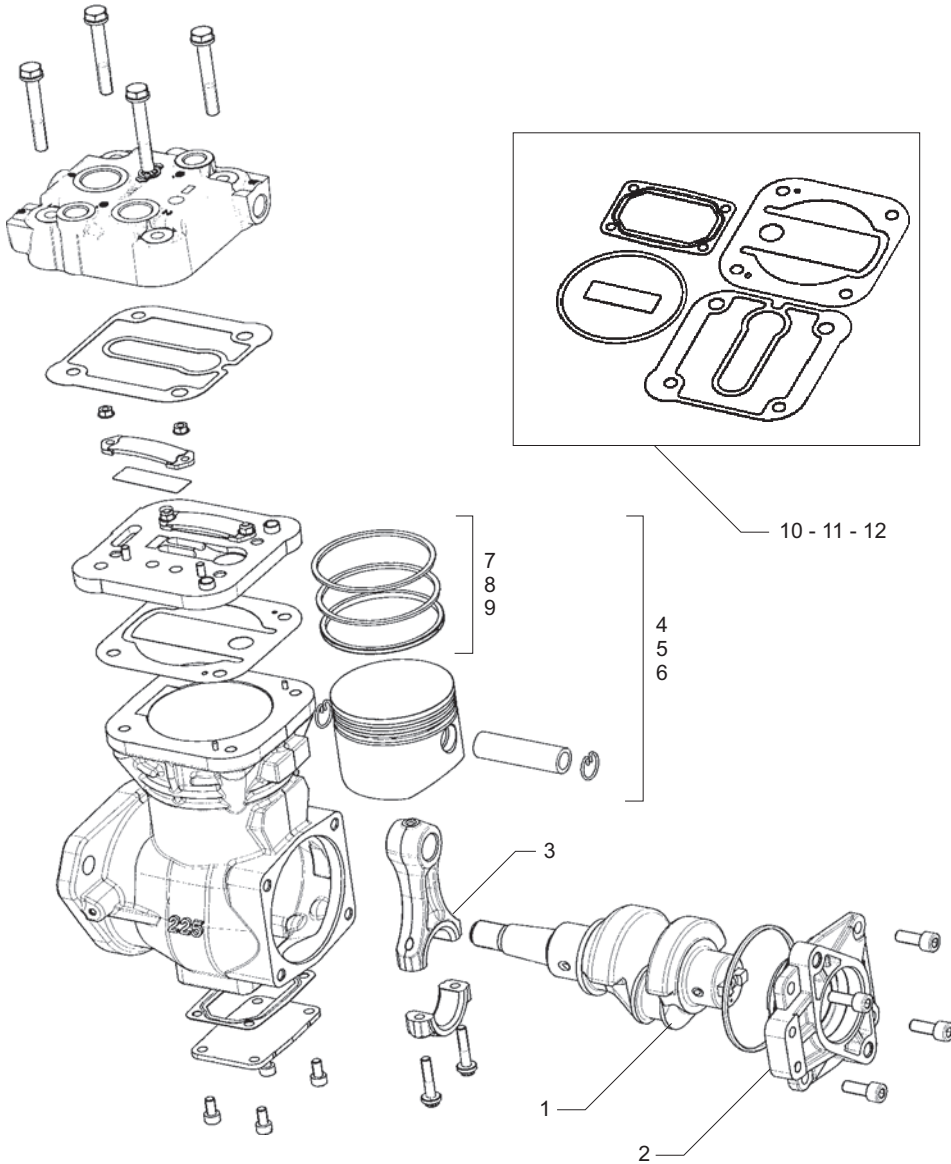


No.	Description	Truckline No.	Other Informations
1	Crankshaft	KR.5300.006	
2	Connecting Rod	KR.5300.004	
3	Piston 75 mm	KR.5300.009	
4	Piston 75,50 mm	KR.5300.018	
5	Piston Ring Set 75 mm	KR.5300.011	2,5 - 2,5 - 2,5 - 4
6	Piston Ring Set 75,50 mm	KR.5300.019	2,5 - 2,5 - 2,5 - 4
7	Valve Plate Complete	KR.7200.050	
8	Valve Set	KR.7200.053	
9	Gasket Set	KR.7200.052	
9	Gasket Set	KR.7200.152	for LK3508/09/10
10	Gasket and Valve Set	KR.7200.051	
10	Gasket and Valve Set	KR.7200.151	for LK3508/09/10
11	Crankshaft Bearing Front	KR.5400.003	
11	Crankshaft Bearing Rear	KR.5400.021	
12	Cylinder Liner	KR.5300.037	
13	Bearing Flange Front	KR.4600.005	
14	Crankcase	KR.5300.070	

KNORR

LK3833/34/35/36/37/38/39/40/41, LK3843/45/46/47/50/52/53/54/55, LK3857/59/67, LK3875/78

LK3833



KR.5070.054



KR.5070.055



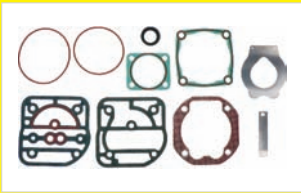
KR.5070.056

No.	Description	Truckline No.	Other Informations
1	Crankshaft	KR.5070.001	
2	Crankshaft Flange Rear	KR.5070.002	
3	Connecting Rod	KR.5070.003	
4	Piston 80 mm	KR.5070.010	
5	Piston 80,5 mm	KR.5070.011	
6	Piston 81 mm	KR.5070.014	
7	Piston Ring Set 80 mm	KR.5070.012	
8	Piston Ring Set 80,5 mm	KR.5070.013	
9	Piston Ring Set 81 mm	KR.5070.015	
10	Gasket + Valve Set	KR.5070.056	
11	Gasket Set	KR.5070.055	
12	Valve Set	KR.5070.054	

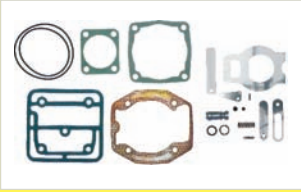
KNORR

LK38.., LK39..

LK3802/05/06/08/09/12/26/32, LK3901/02/04/07/08/10/11/16, LK3918/21/24/25/27/33/41/43, LK3944/50/54/60/63/78/80, LK3810/13/19/21, LK3930/47/56/59/65/66/82/85, LK3935, LK3986



KR.4600.052



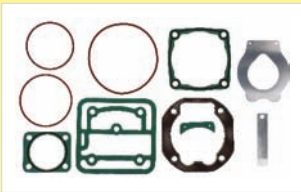
KR.4800.055



KR.5450.013



KR.4650.056



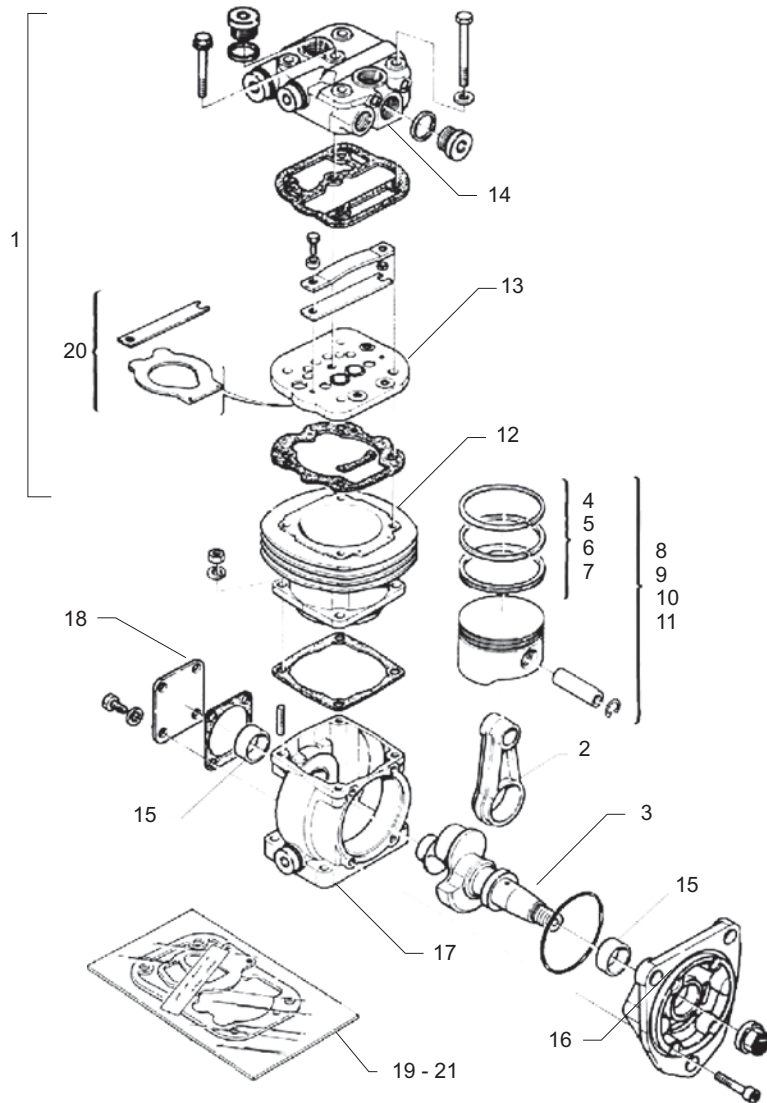
KR.5060.056



MN.3000.129



KR.5400.013



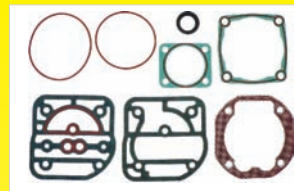
No.	Description	Truckline No.	Other Informations
1	Cylinder Head Complete	MN.3000.009	Model ZB 4275
2	Connecting Rod	KR.5500.004	
2	Connecting Rod	KR.5300.004	
3	Crankshaft	KR.4600.006	
3	Crankshaft	KR.5400.005	
3	Crankshaft	KR.5400.006	
3	Crankshaft	KR.4500.004	
3	Crankshaft	KR.5400.001	
3	Crankshaft	KR.5400.002	
3	Crankshaft	MN.3200.002	for LK3911/27/44

KNORR

LK3802/05/06/08/09/12/26/32, LK3901/02/04/07/08/10/11/16, LK3918/21/24/25/27/33/41/43,
LK3944/50/54/60/63/78/80, LK3810/13/19/21, LK3930/47/56/59/65/66/82/85, LK3935, LK3986

LK38.., LK39..

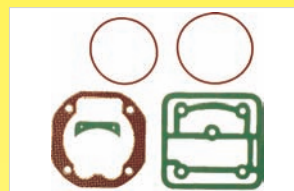
No.	Description	Truckline No.	Other Informations
4	Piston Ring Set 88 mm	KR.5400.008	2,5 – 2,5 – 4
5	Piston Ring Set 88,25 mm	KR.5400.009	2,5 – 2,5 – 4
6	Piston Ring Set 88,50 mm	KR.5400.007	2,5 – 2,5 – 4
7	Piston Ring Set 89 mm	KR.5400.109	2,5 – 2,5 – 4
8	Piston 88 mm	KR.5400.010	
9	Piston 88,25 mm	KR.5400.011	
10	Piston 88,50 mm	KR.5400.019	
11	Piston 89 mm	KR.5400.119	
12	Cylinder Liner	KR.5400.027	for LK3802/05/08/10/13/19/21
12	Cylinder Liner	KR.5400.028	for LK3806/09/12/26/32, LK3933
12	Cylinder Liner	KR.5500.028	for LK3901/02/04/07/08/11/14/16/18/21/23/24/25/50
13	Valve Plate Complete	MN.3000.007	
13	Valve Plate Complete	MN.3000.006	
14	Cylinder Up Head	MN.3000.107	
15	Crankshaft Bearing Front	KR.5400.003	
15	Crankshaft Bearing Rear	KR.5400.021	
16	Bearing Flange Front	KR.4600.005	
16	Bearing Flange Front	KR.5300.062	
16	Bearing Flange Front	KR.5400.066	
17	Crankcase	KR.5300.070	
17	Crankcase	KR.5400.070	for LK3935/3955
17	Crankcase	MN.3200.001	for LK3911/27/44
18	Bearing Flange Front	KR.5400.071	
18	Bearing Flange Front	KR.5400.072	for LK3935/3955
18	Bearing Flange Front	MN.3200.003	for LK3911/27/44
19	Gasket Set	KR.4600.051	for LK3802/05/06/08/09/26/32
19	Gasket Set	KR.4800.050	for LK3947/59/65/66/82/85
19	Gasket Set	KR.5450.012	for LK3935
19	Gasket Set	KR.4650.052	for LK3986
19	Gasket Set	KR.5060.052	LK3810/13/19/21
19	Gasket Set	MN.3000.128	for LK3812; LK3927
20	Valve Set	KR.5400.013	
20	Valve Set	KR.4800.012	
21	Gasket + Valve Set	KR.4600.052	for LK3802/05/06/08/09/26/32
21	Gasket + Valve Set	KR.4800.055	for LK3947/59/65/66/82/85
21	Gasket + Valve Set	KR.4800.056	for LK3947/59/65/66/82/85
21	Gasket + Valve Set	KR.5450.013	for LK3935
21	Gasket + Valve Set	KR.4650.056	for LK3986
21	Gasket + Valve Set	KR.5060.056	LK3810/13/19/21
21	Gasket + Valve Set	MN.3000.129	for LK3812; LK3927



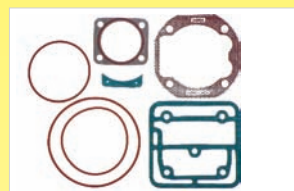
KR.4600.051



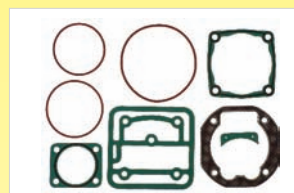
KR.4800.050



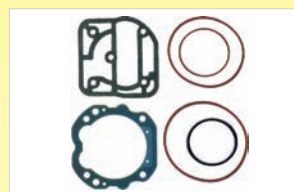
KR.5450.012



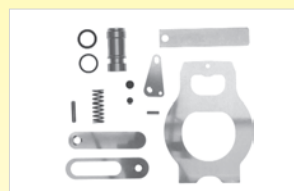
KR.4650.052



KR.5060.052



MN.3000.129

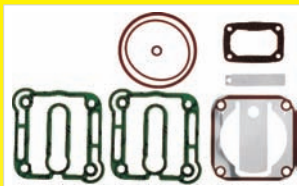


KR.4800.012

KNORR

LK3994

LK3977, LP3970, LP3974, LP3977



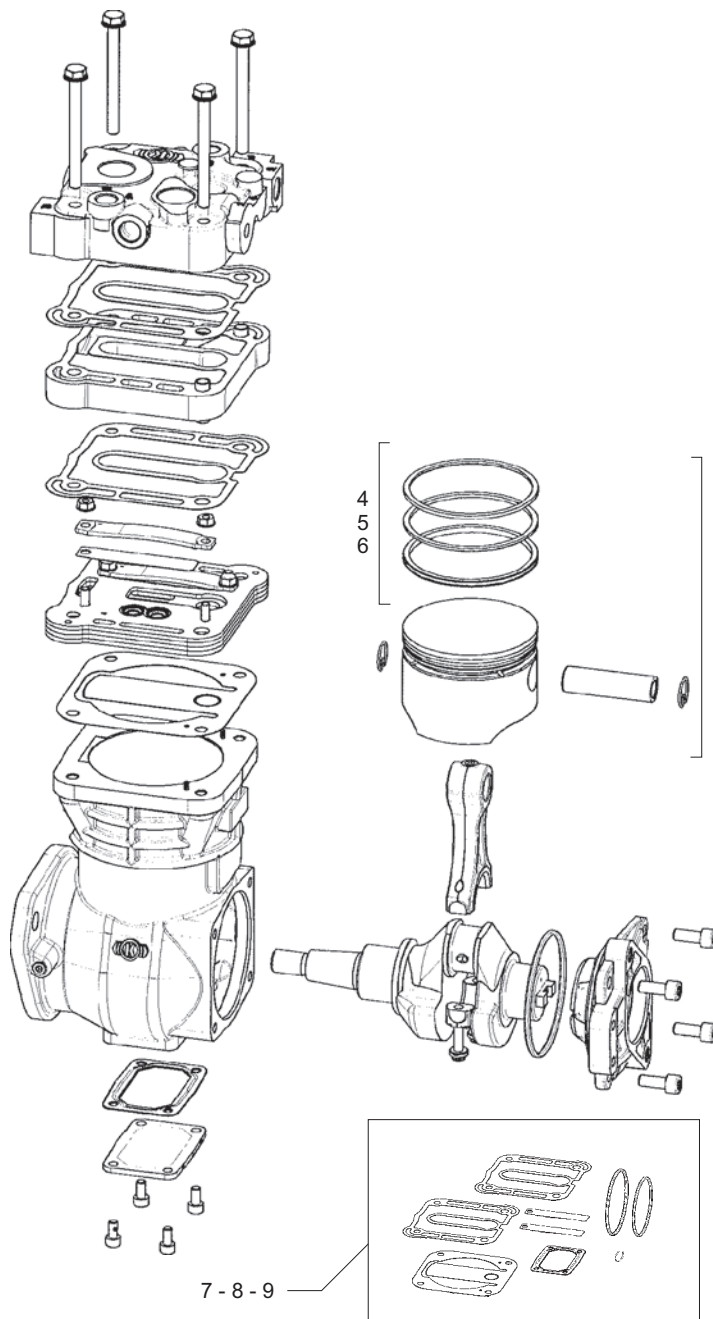
KR.5080.056



KR.5080.052



KR.5080.053

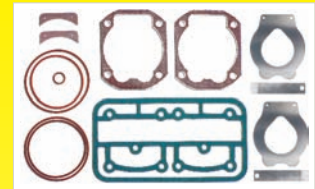
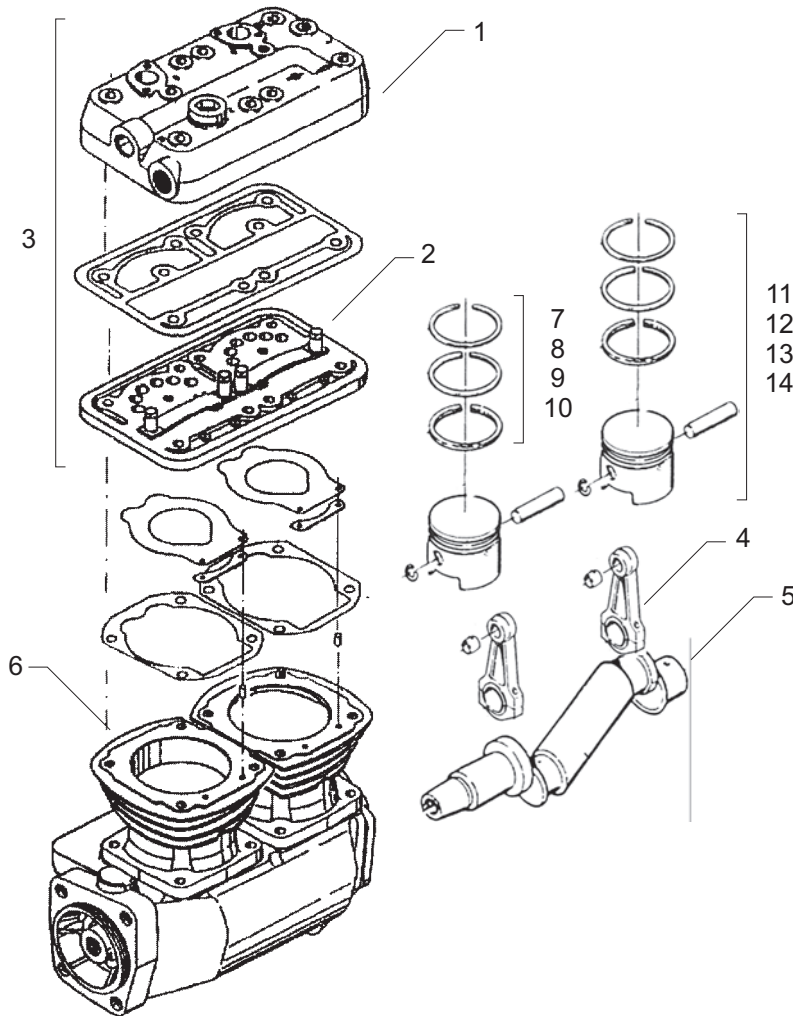


No.	Description	Truckline No.	Other Informations
1	Piston 92 mm	KR.5080.010	
2	Piston 92,5 mm	KR.5080.011	
3	Piston 93 mm	KR.5080.014	
4	Piston Ring Set 92 mm	KR.5080.012	
5	Piston Ring Set 92,5 mm	KR.5080.013	
6	Piston Ring Set 93 mm	KR.5080.015	
7	Gasket + Valve Set	KR.5080.056	
8	Gasket Set	KR.5080.052	
9	Valve Set	KR.5080.053	

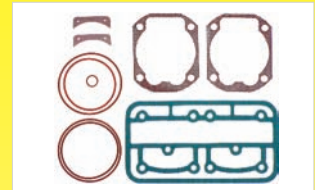
KNORR

LK4909, LK4910, LK4911, LK4913, LK4931, LK4932, LK4939

LK4908



KR.5850.055



KR.5850.052



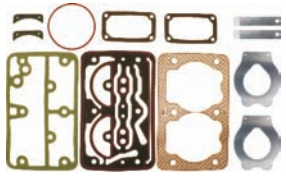
KR.5400.013

No.	Description	Truckline No.	Other Informations
1	Cylinder Up Head	KR.5850.001	
2	Valve Plate Complete	KR.5850.002	
3	Cylinder Head Complete	KR.5850.003	
4	Connecting Rod	KR.4700.008	
5	Crankshaft	KR.5850.004	
6	Cylinder Liner	KR.5500.028	
7	Piston Ring Set 88 mm	KR.5400.010	2,5 - 2,5 - 4
8	Piston Ring Set 88,25 mm	KR.5400.011	2,5 - 2,5 - 4
9	Piston Ring Set 88,50 mm	KR.5400.019	2,5 - 2,5 - 4
10	Piston Ring Set 89 mm	KR.5400.119	2,5 - 2,5 - 4
11	Piston 88 mm	KR.5400.008	
12	Piston 88,25 mm	KR.5400.009	
13	Piston 88,50 mm	KR.5400.007	
14	Piston 89 mm	KR.5400.109	
15	Gasket Set	KR.5850.052	
16	Valve Set	KR.5400.013 x 2	
17	Gasket + Valve Set	KR.5850.055	

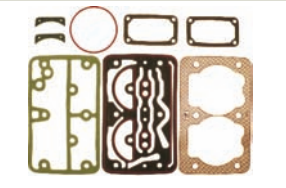
KNORR

LK4918

LK4919/20/21, LP4922/27/69/70/83/84, LP4985/86/88/89/90/91, LP4992/93/94/95/96/97



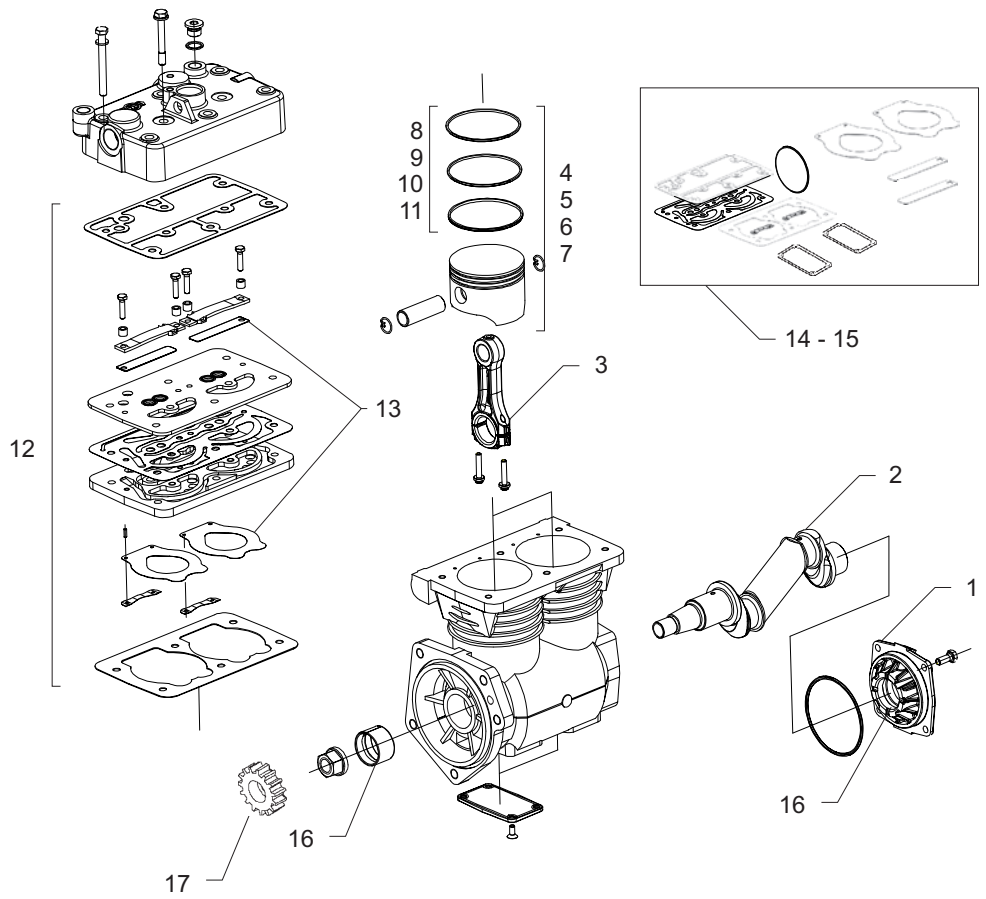
KR.4900.056



KR.4900.052



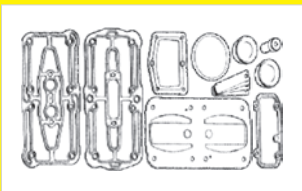
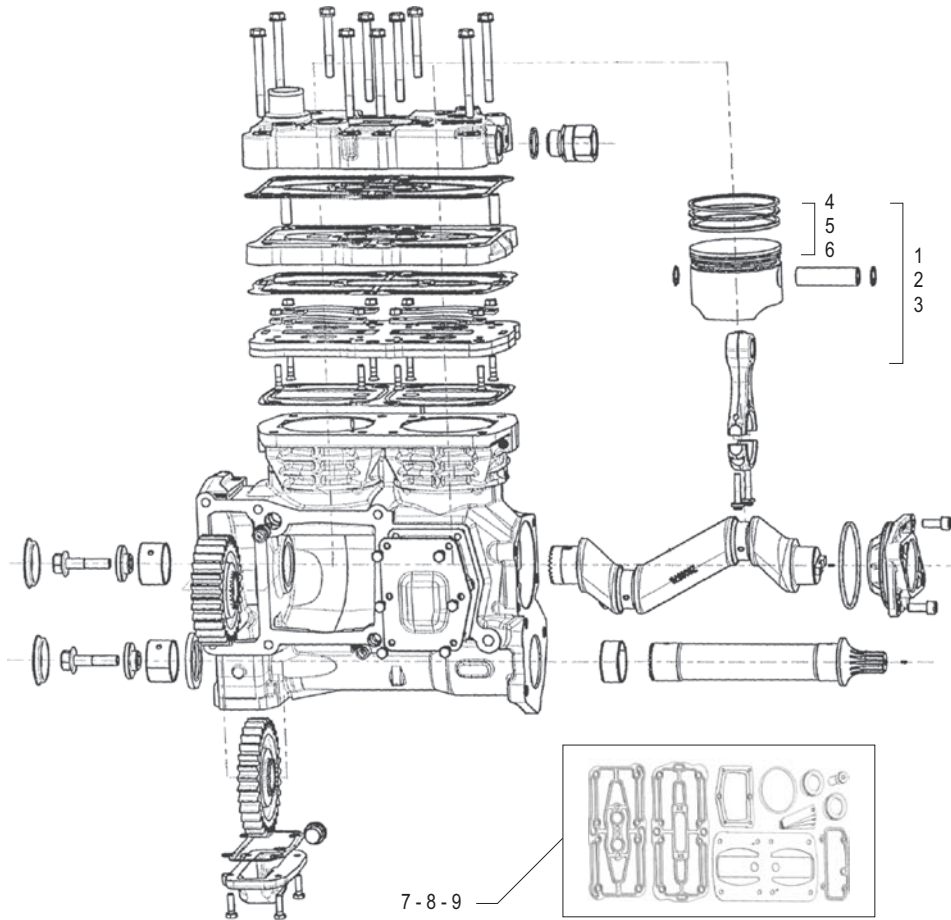
KR.5400.013



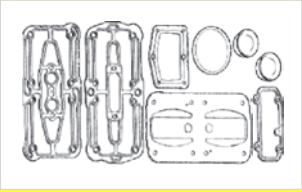
No.	Description	Truckline No.	Other Informations
1	Bearing Flange Rear	KR.4700.007	for LK4918/20/21, LP4985/92/96
2	Crankshaft	KR.4700.005	for LP4985
3	Connecting Rod	KR.4700.008	
4	Piston 88 mm	KR.5400.008	
5	Piston 88,25 mm	KR.5400.009	
6	Piston 88,50 mm	KR.5400.007	
7	Piston 89 mm	KR.5400.109	
8	Piston Ring Set 88 mm	KR.5400.010	2,5 - 2,5 - 4
9	Piston Ring Set 88,25 mm	KR.5400.011	2,5 - 2,5 - 4
10	Piston Ring Set 88,50 mm	KR.5400.019	2,5 - 2,5 - 4
11	Piston Ring Set 89 mm	KR.5400.119	2,5 - 2,5 - 4
12	Valve Plate Complete	KR.4900.050	
13	Valve Set	KR.5400.013	
14	Gasket Set	KR.4900.052	
15	Gasket + Valve Set	KR.4900.056	
16	Crankshaft Bearing	KR.4700.027	
17	Compressor Gear	KR.4700.105	for LP4985

KNORR

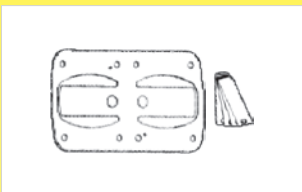
LK4934



KR.5090.056



KR.5090.052



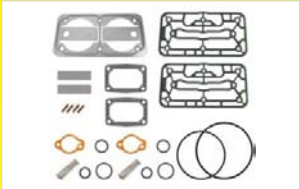
KR.5090.053

No.	Description	Truckline No.	Other Informations
1	Piston 92 mm	KR.5080.010	
2	Piston 92,5 mm	KR.5080.011	
3	Piston 93 mm	KR.5080.014	
4	Piston Ring Set 92 mm	KR.5080.012	
5	Piston Ring Set 92,5 mm	KR.5080.013	
6	Piston Ring Set 93 mm	KR.5080.015	
7	Gasket + Valve Set	KR.5090.056	
8	Gasket Set	KR.5090.052	
9	Valve Set	KR.5090.053	

KNORR

LK4930

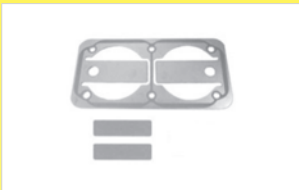
1537749



KR.4790.054



KR.4790.052



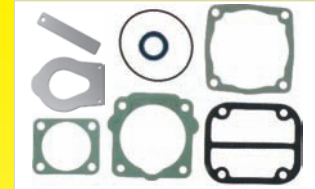
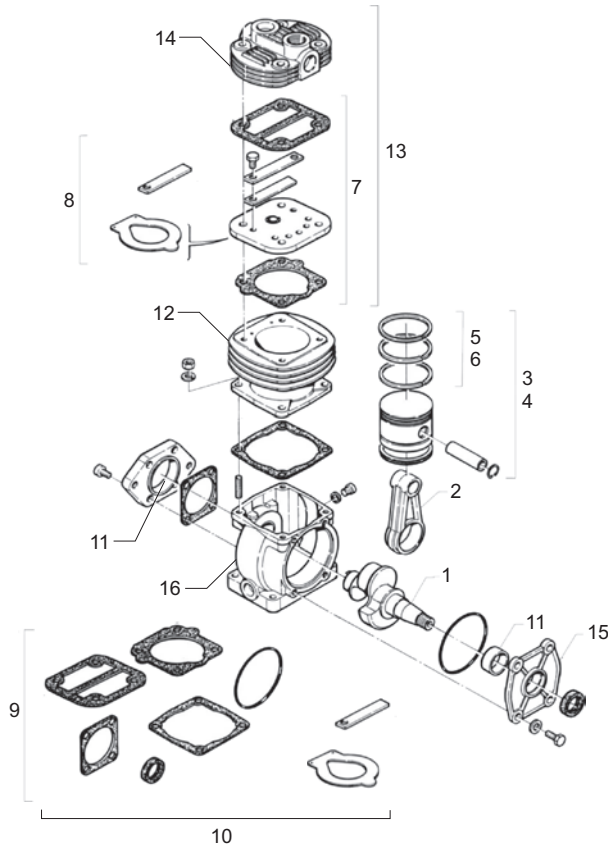
KR.4790.053



No.	Description	Truckline No.	Other Informations
1	Piston 92 mm	KR.5080.010	
2	Piston 92,5 mm	KR.5080.011	
3	Piston 93 mm	KR.5080.014	
4	Piston Ring Set 92 mm	KR.5080.012	
5	Piston Ring Set 92,5 mm	KR.5080.013	
6	Piston Ring Set 93 mm	KR.5080.015	
7	Gasket Set	KR.4790.052	
8	Valve Set	KR.4790.053	
9	Gasket + Valve Set	KR.4790.054	
10	Valve Plate Complete	KR.4790.055	

KNORR

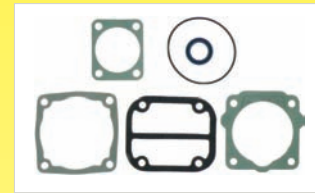
LP13.., LP15..



KR.5300.040



KR.5300.039



KR.5300.013



KR.5300.020



KR.7200.053

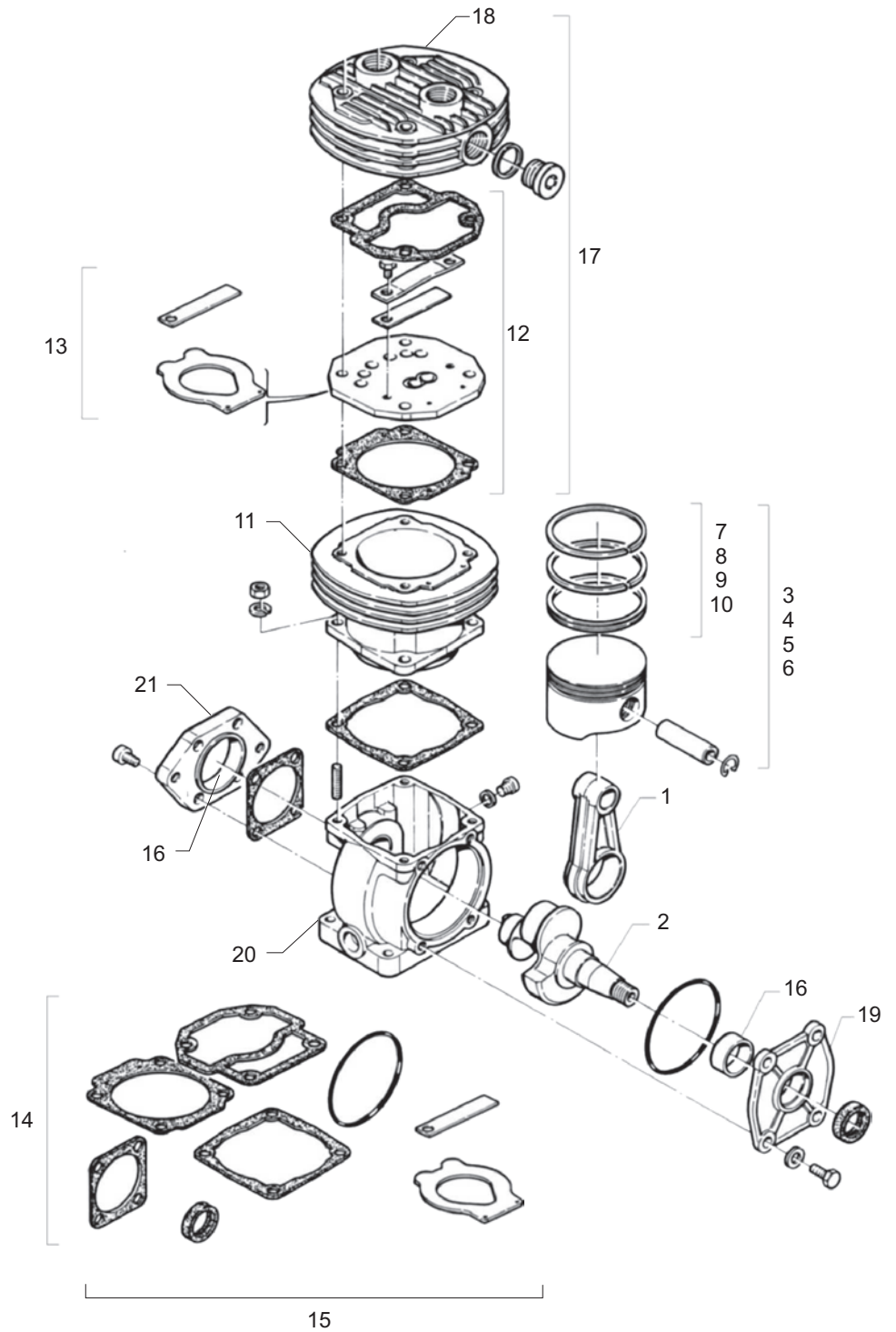
No.	Description	Truckline No.	Other Informations
1	Crankshaft	KR.5300.006	
1	Crankshaft	KR.5400.005	
1	Crankshaft	KR.4500.004	
2	Connecting Rod	KR.5300.004	
2	Connecting Rod	KR.5500.004	
3	Piston 75 mm	KR.5300.009	
4	Piston 75,50 mm	KR.5300.018	
5	Piston Ring Set 75 mm	KR.5300.011	
6	Piston Ring Set 75,50 mm	KR.5300.019	
7	Valve Plate Complete	KR.5300.015	
8	Valve Set	KR.5300.020	
8	Valve Set	KR.7200.053	for LP1596/98/99
9	Gasket Set	KR.5300.013	
10	Gasket and Valve Set	KR.5300.040	
10	Gasket and Valve Set	KR.5300.039	for LP1596/98/99
11	Crankshaft Bearing Front	KR.5400.003	
11	Crankshaft Bearing Rear	KR.5400.021	
12	Cylinder Liner	KR.5300.037	
13	Cylinder Head Complete	KR.5300.060	
14	Cylinder Up Head	KR.5300.061	
15	Bearing Flange Front	KR.5300.062	
15	Bearing Flange Front	KR.5300.063	
16	Crankcase	KR.5300.070	

KNORR

LP18.., LP19..



KR.5400.013



KNORR

LP18.., LP19..



KR.5400.029



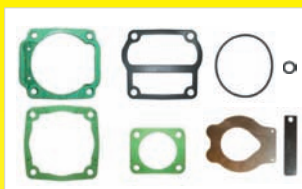
KR.5400.012

No.	Description	Truckline No.	Other Informations
1	Connecting Rod	KR.5300.004	
1	Connecting Rod	KR.5500.004	
2	Crankshaft	KR.5400.005	
2	Crankshaft	KR.5400.006	
2	Crankshaft	KR.4500.004	
2	Crankshaft	KR.5400.001	
2	Crankshaft	KR.5400.002	
3	Piston 88 mm	KR.5400.008	
4	Piston 88,25 mm	KR.5400.009	
5	Piston 88,50 mm	KR.5400.007	
6	Piston 89 mm	KR.5400.109	
7	Piston Ring Set 88 mm	KR.5400.010	2,5 – 2,5 – 4
8	Piston Ring Set 88,25 mm	KR.5400.011	2,5 – 2,5 – 4
9	Piston Ring Set 88,50 mm	KR.5400.019	2,5 – 2,5 – 4
10	Piston Ring Set 89 mm	KR.5400.119	2,5 – 2,5 – 4
11	Cylinder Liner	KR.5400.027	for LP1806/46/48/49/51/58/66/73/75/77/78/80/81/83
11	Cylinder Liner	KR.5500.028	for LP191950/51/59/69/74/89/99
12	Valve Plate Complete	KR.5400.014	
13	Valve Set	KR.5400.013	
14	Gasket Set	KR.5400.012	
15	Gasket and Valve Set	KR.5400.029	
16	Crankshaft Bearing Front	KR.5400.003	
16	Crankshaft Bearing Rear	KR.5400.021	
17	Cylinder Head Complete	KR.5400.016	
18	Cylinder Up Head	KR.5400.018	
19	Bearing Flange Front	KR.5300.062	
19	Bearing Flange Front	KR.5400.066	
20	Crankcase	KR.5300.070	
21	Bearing Flange Front	KR.5400.071	
22	Connecting Rod Bearing	KR.5500.003	for Connecting Rod KR.5500.004

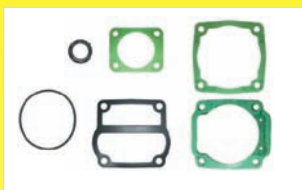
KNORR

LP3812

LP3821, LP3842, LP3844



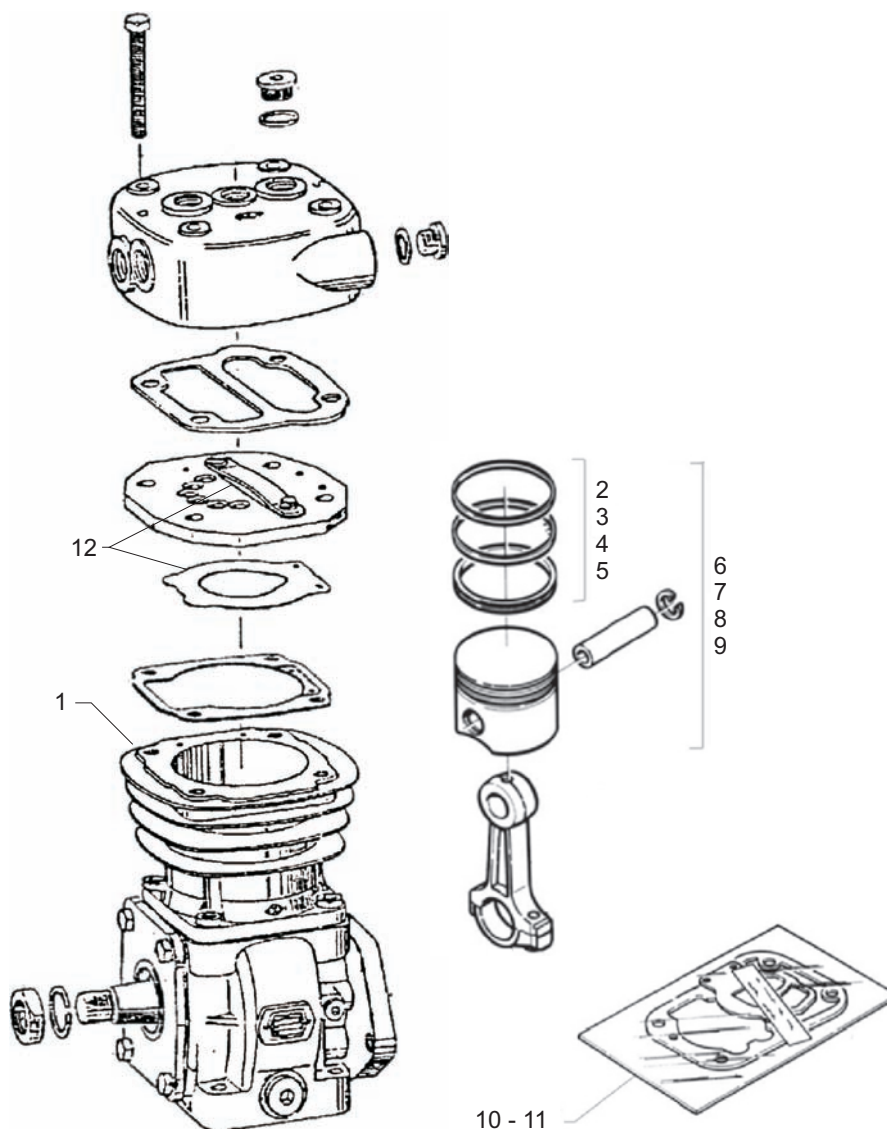
KR.5600.051



KR.5600.052



KR.5400.013

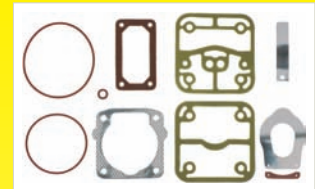
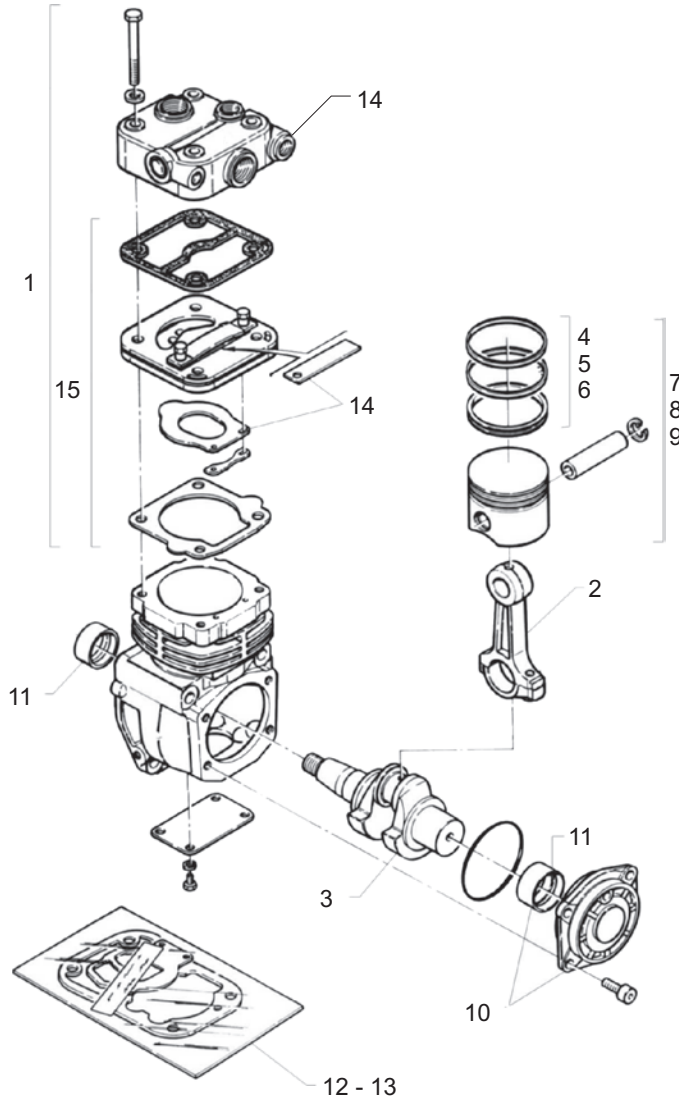


No.	Description	Truckline No.	Other Informations
1	Cylinder Liner	KR.5400.027	
2	Piston Ring Set 88 mm	KR.5400.010	2,5 - 2,5 - 4
3	Piston Ring Set 88,25 mm	KR.5400.011	2,5 - 2,5 - 4
4	Piston Ring Set 88,50 mm	KR.5400.019	2,5 - 2,5 - 4
5	Piston Ring Set 89 mm	KR.5400.119	2,5 - 2,5 - 4
6	Piston 88 mm	KR.5400.008	
7	Piston 88,25 mm	KR.5400.009	
8	Piston 88,50 mm	KR.5400.007	
9	Piston 89 mm	KR.5400.109	
10	Gasket Set	KR.5600.052	
11	Gasket and Valve Set	KR.5600.051	
12	Valve Set	KR.5400.013	

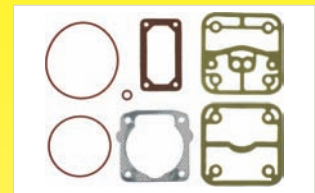
KNORR

LP3833, LP3843, LP3852, LP3857, LP3860, LP3861, LP3862

LP3832



KR.7200.051



KR.7200.052



KR.7200.053

No.	Description	Truckline No.	Other Informations
1	Cylinder Head Complete	KR.7200.055	
2	Connecting Rod	KR.4300.008	
3	Crankshaft	KR.7200.005	
4	Piston Ring Set 78 mm	KR.7200.011	
5	Piston Ring Set 78,50 mm	KR.7200.012	
6	Piston Ring Set 79 mm	KR.7200.013	
7	Piston 78 mm	KR.7200.008	
8	Piston 78,50 mm	KR.7200.009	
9	Piston 79 mm	KR.7200.010	
10	Bearing Flange Rear Complete	KR.7200.006	
11	Crankshaft Bearing	KR.7200.019	
12	Gasket Set	KR.7200.052	
13	Gasket + Valve Set	KR.7200.051	
14	Valve Set	KR.7200.053	
15	Valve Plate Complete	KR.7200.050	
16	Cylinder Up Head	KR.7200.056	

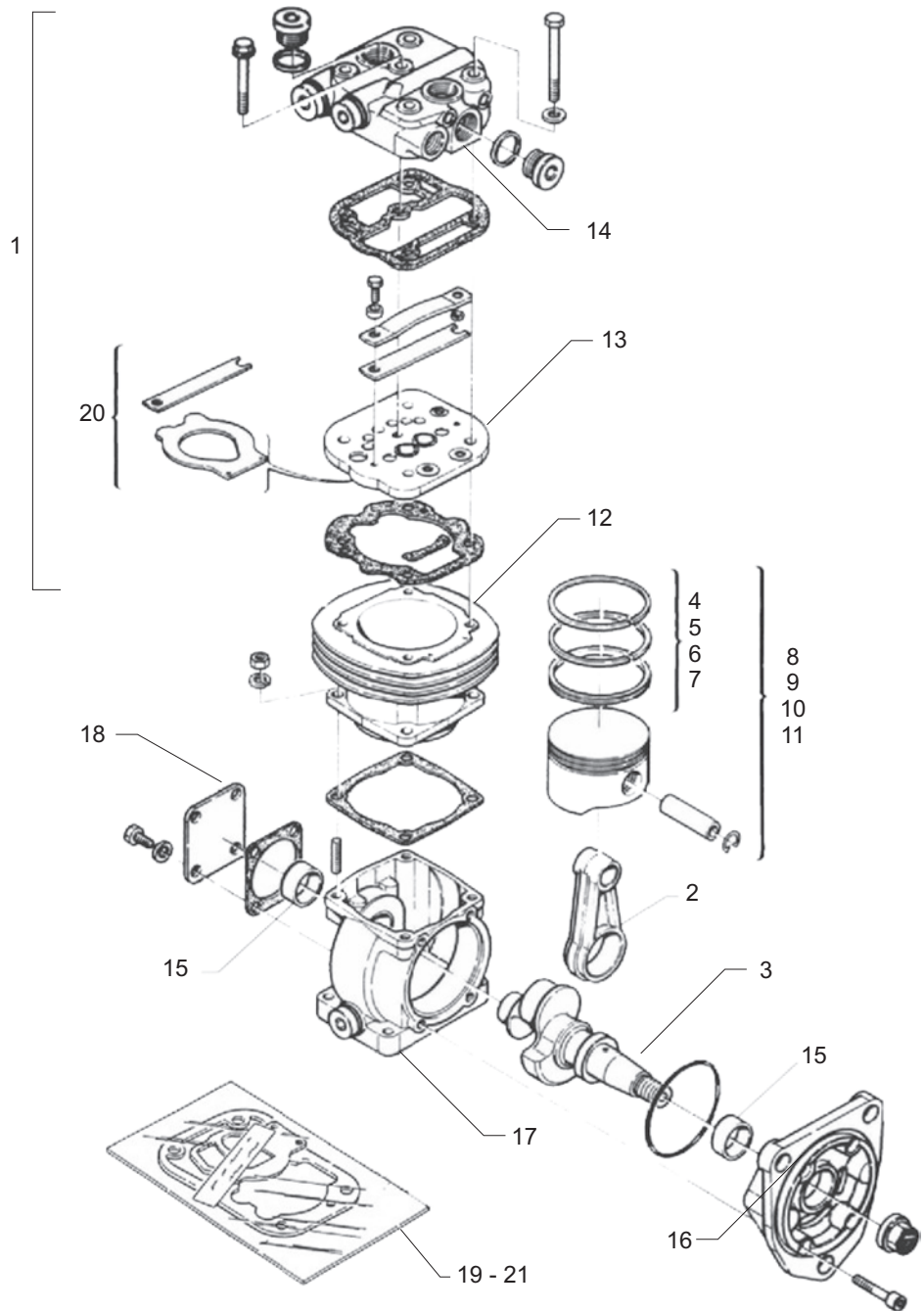
KNORR

LP3830

LP3928, LP3934, LP3940, LP3943, LP3975



KR.5400.013



KNORR

LP3928, LP3934, LP3940, LP3943, LP3975

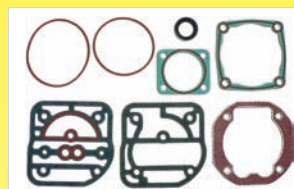
LP3830



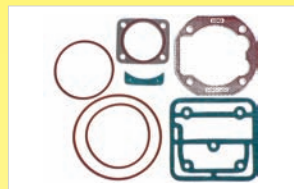
KR.4600.052



KR.4650.056



KR.4600.051



KR.4650.052

No.	Description	Truckline No.	Other Informations
1	Cylinder Head Complete	MN.3000.009	Model ZB 4275
2	Connecting Rod	KR.5500.004	
2	Connecting Rod	KR.5300.004	
3	Crankshaft	KR.4600.006	
3	Crankshaft	KR.5400.005	
3	Crankshaft	KR.5400.006	
3	Crankshaft	KR.4500.004	
3	Crankshaft	KR.5400.001	
3	Crankshaft	KR.5400.002	
3	Crankshaft	MN.3200.002	
4	Piston Ring Set 88 mm	KR.5400.008	2,5 – 2,5 – 4
5	Piston Ring Set 88,25 mm	KR.5400.009	2,5 – 2,5 – 4
6	Piston Ring Set 88,50 mm	KR.5400.007	2,5 – 2,5 – 4
7	Piston Ring Set 89 mm	KR.5400.109	2,5 – 2,5 – 4
8	Piston 88 mm	KR.5400.010	
9	Piston 88,25 mm	KR.5400.011	
10	Piston 88,50 mm	KR.5400.019	
11	Piston 89 mm	KR.5400.119	
12	Cylinder Liner	KR.5500.028	
13	Valve Plate Complete	MN.3000.007	
13	Valve Plate Complete	MN.3000.006	
14	Cylinder Up Head	MN.3000.107	
15	Crankshaft Bearing Front	KR.5400.003	
15	Crankshaft Bearing Rear	KR.5400.021	
16	Bearing Flange Front	KR.5300.062	
16	Bearing Flange Front	KR.5400.066	
17	Crankcase	KR.5300.070	
18	Crankshaft Bearing Rear	KR.5400.071	
19	Gasket Set	KR.4600.051	for LP3830, LP3928/34/40/43
19	Gasket Set	KR.4650.052	for LP3975
20	Valve Set	KR.5400.013	
21	Gasket + Valve Set	KR.4600.052	for LP3830, LP3928/34/40/43
21	Gasket + Valve Set	KR.4650.056	for LP3975

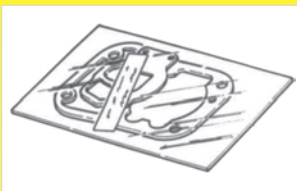
KNORR

LP3901

LP3916



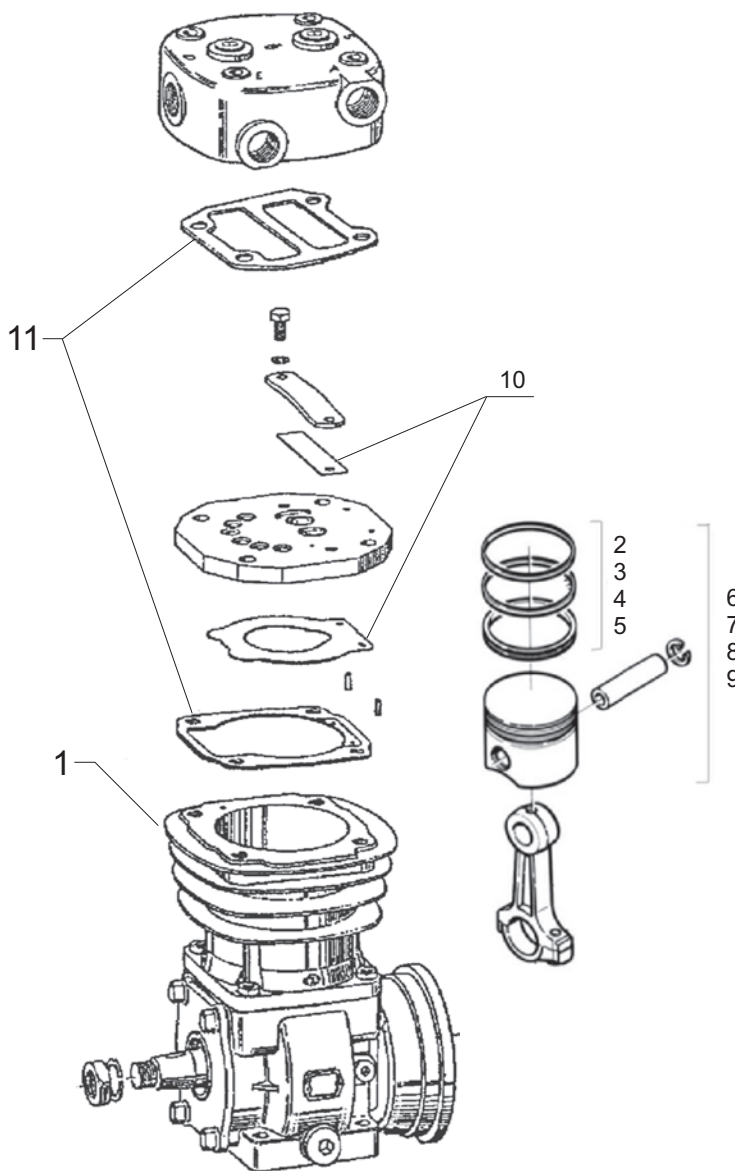
KR.5650.051



KR.5650.052



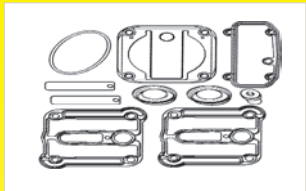
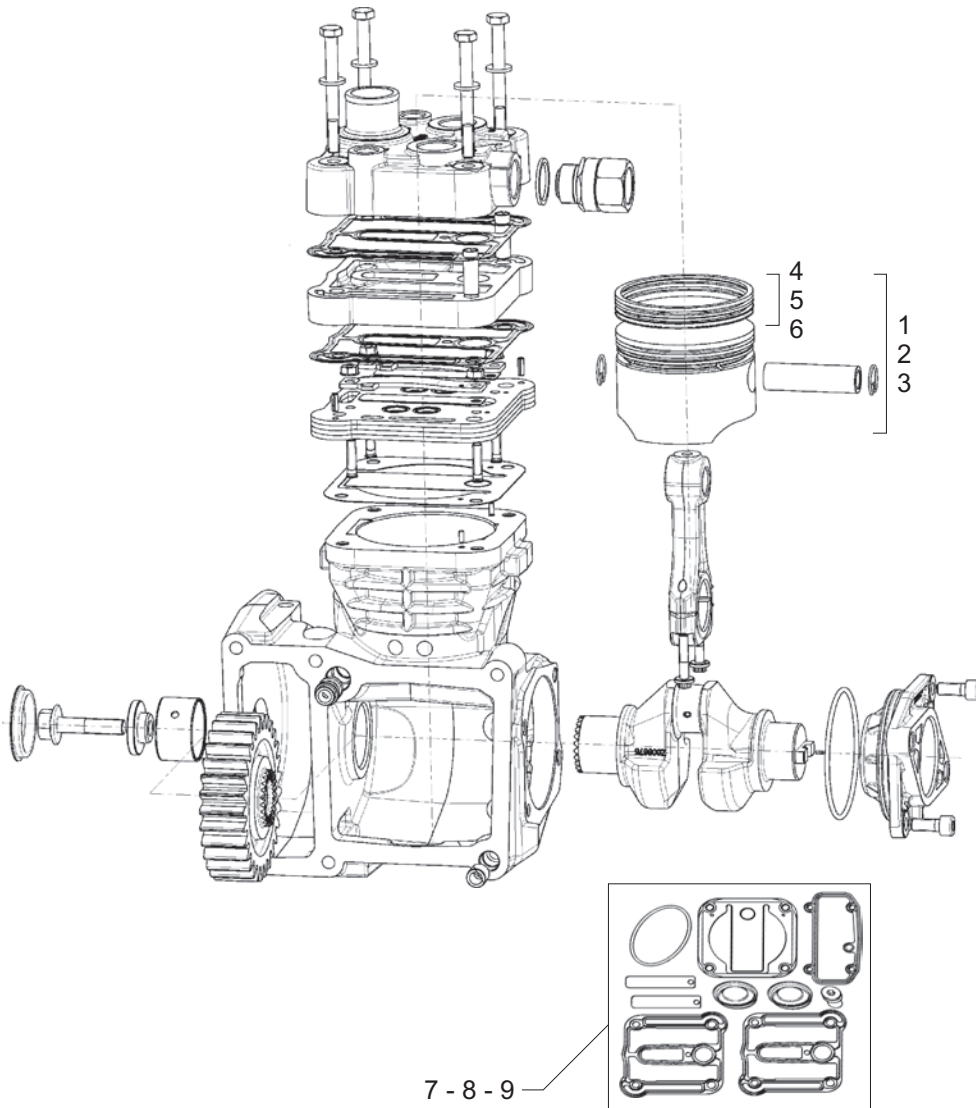
KR.5400.013



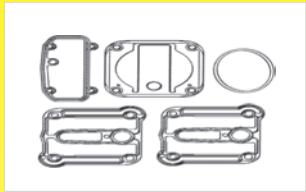
No.	Description	Truckline No.	Other Informations
1	Cylinder Liner	KR.5500.028	
2	Piston Ring Set 88 mm	KR.5400.008	2,5 - 2,5 - 4
3	Piston Ring Set 88,25 mm	KR.5400.009	2,5 - 2,5 - 4
4	Piston Ring Set 88,50 mm	KR.5400.007	2,5 - 2,5 - 4
5	Piston Ring Set 89 mm	KR.5400.109	2,5 - 2,5 - 4
6	Piston 88 mm	KR.5400.010	
7	Piston 88,25 mm	KR.5400.011	
8	Piston 88,50 mm	KR.5400.019	
9	Piston 89 mm	KR.5400.119	
10	Valve Set	KR.5400.013	
11	Gasket Set	KR.5650.052	
12	Gasket + Valve Set	KR.5650.051	

KNORR

LP3980; LP3986



KR.5040.056



KR.5040.052



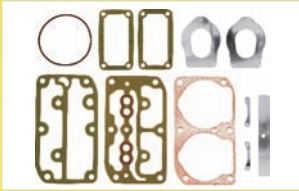
KR.5080.053

No.	Description	Truckline No.	Other Informations
1	Piston 92 mm	KR.5080.010	
2	Piston 92,5 mm	KR.5080.011	
3	Piston 93 mm	KR.5080.014	
4	Piston Ring Set 92 mm	KR.5080.012	
5	Piston Ring Set 92,5 mm	KR.5080.013	
6	Piston Ring Set 93 mm	KR.5080.015	
7	Gasket + Valve Set	KR.5040.056	
8	Gasket Set	KR.5040.052	
9	Valve Set	KR.5080.053	

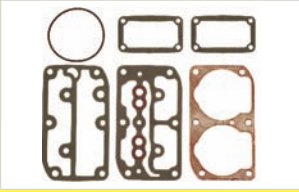
KNORR

LP4812

LP4813, LP4814, LP4815, LP4842, LP4844, LP4852



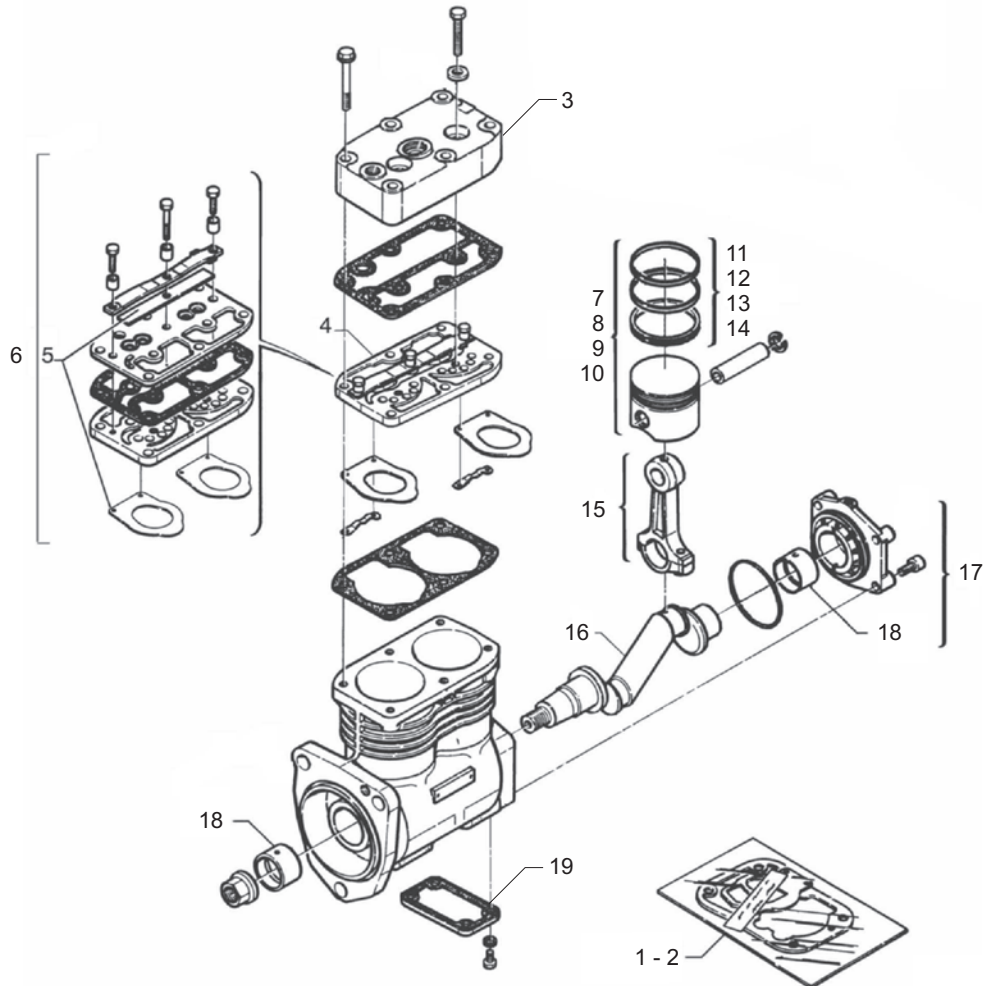
KR.4300.052



KR.4300.055



KR.4300.053

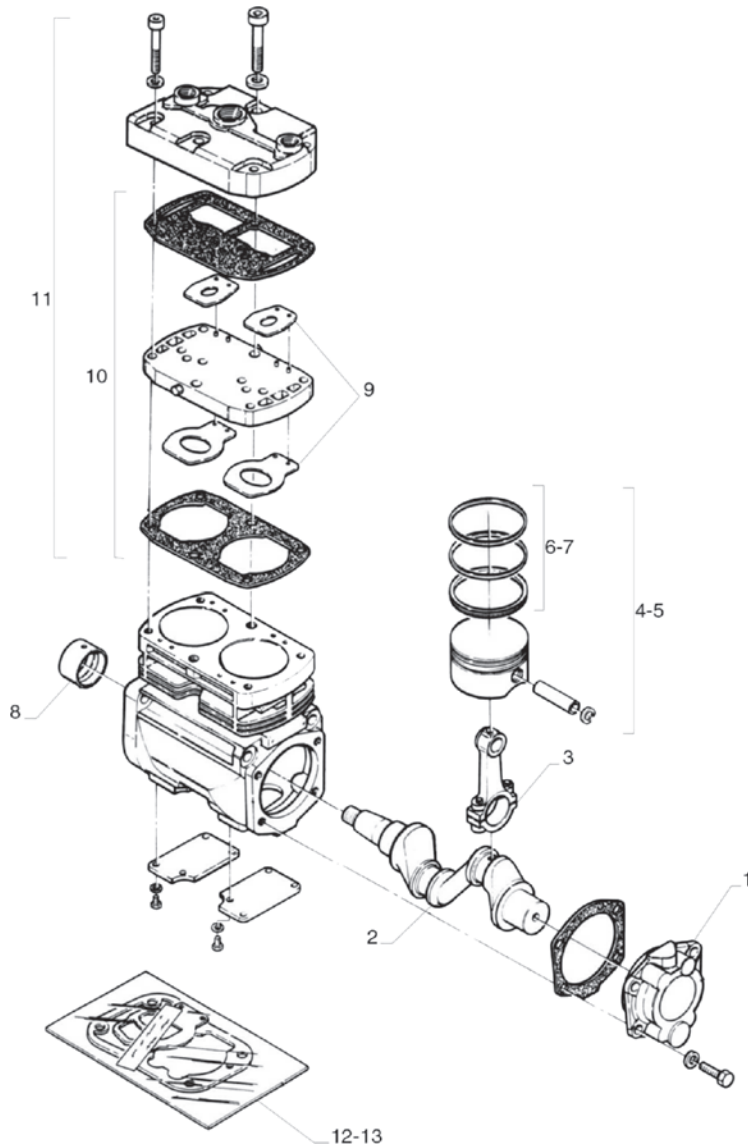


No.	Description	Truckline No.	Other Informations
1	Gasket Set	KR.4300.055	
2	Gasket + Valve Set	KR.4300.052	
3	Cylinder Up Head	KR.4300.002	for LP4812
4	Valve Plate Complete	KR.4300.050	
5	Valve Set	KR.4300.053	
6	Cylinder Head Complete	KR.4300.065	for LP4812
7	Piston 75 mm	KR.4300.012	
8	Piston 75,25 mm	KR.4300.014	
9	Piston 75,50 mm	KR.4300.013	
10	Piston 76 mm	KR.4300.018	
11	Piston Ring Set 75 mm	KR.4300.015	2 - 2 - 4
12	Piston Ring Set 75,25 mm	KR.4300.017	2 - 2 - 4
13	Piston Ring Set 75,50 mm	KR.4300.016	2 - 2 - 4
14	Piston Ring Set 76 mm	KR.4300.019	2 - 2 - 4
15	Connecting Rod	KR.4300.008	
16	Crankshaft	KR.4300.006	
17	Bearing Flange Rear Complete	KR.4300.007	
18	Crankshaft Bearing	KR.4300.027	
19	Crankcase Cover	KR.4300.099	

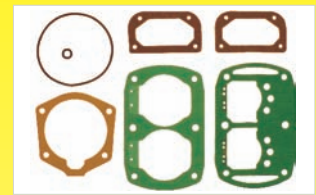
KNORR

LP4832, 1013077000, 1013391000, 1013395000, 1013397000, 1013491000, LP4940, LP4942, LP4944

LP4818



KR.7500.051



KR.7500.052



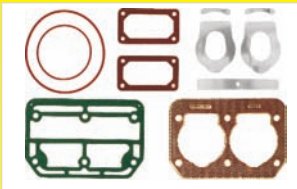
MM.1080.014

No.	Description	Truckline No.	Other Informations
1	Bearing Flange Rear Complete	KR.7500.004	
2	Crankshaft	KR.7500.005	
3	Connecting Rod	MM.1080.030	
4	Piston 70 mm	MM.1080.010	
5	Piston 70,5 mm	MM.1080.011	
6	Piston Ring Set 70 mm	MM.1080.012	2-2-4
7	Piston Ring Set 70,5 mm	MM.1080.013	2-2-4
8	Crankshaft Bearing	KR.7200.019	
9	Valve Set	MM.1080.014	
10	Valve Plate Complete	KR.7500.050	
11	Cylinder Head Complete	KR.7500.055	
12	Gasket Set	KR.7500.052	
13	Gasket + Valve Set	KR.7500.051	

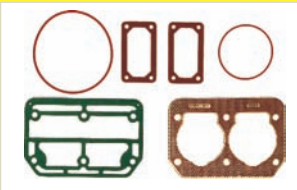
KNORR

LP4823

LP4830, LP4850



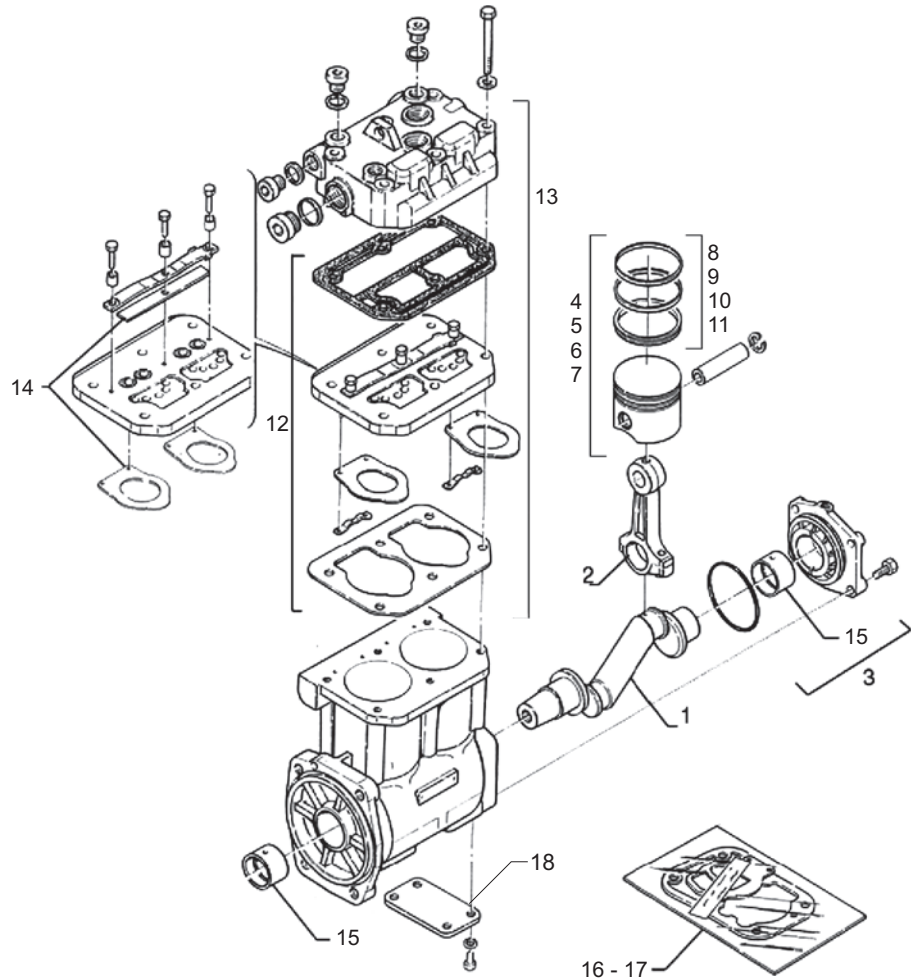
KR.5000.351



KR.5000.352



KR.4300.053

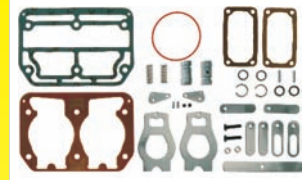
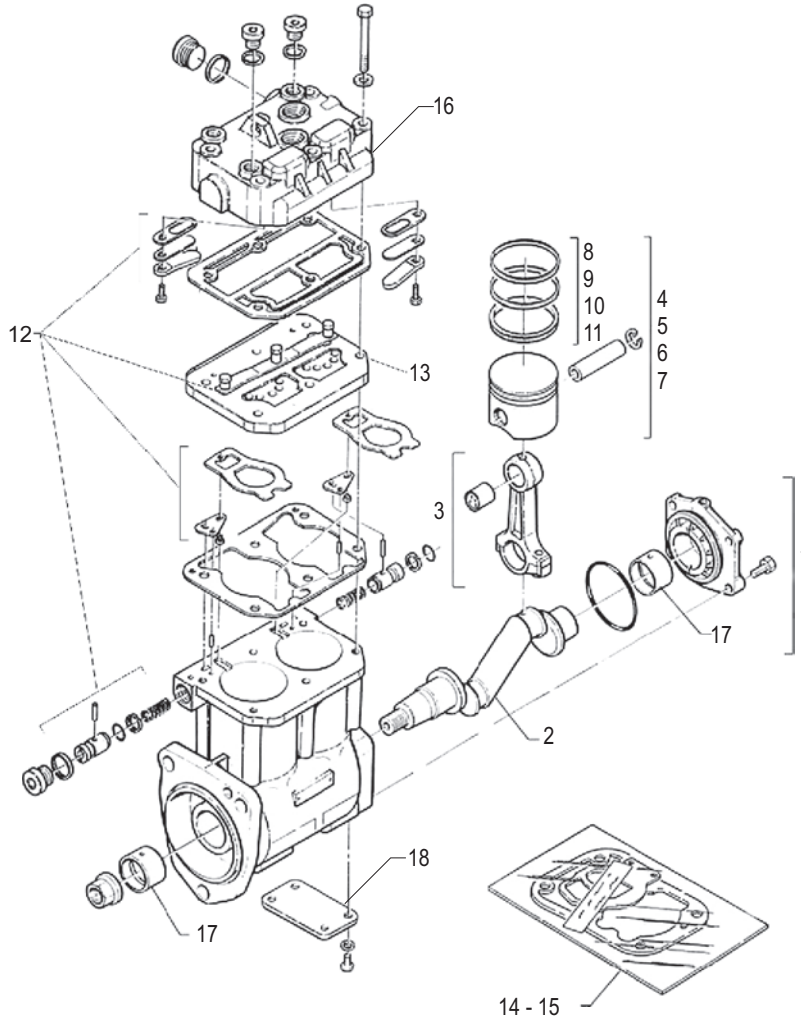


No.	Description	Truckline No.	Other Informations
1	Crankshaft	KR.5000.305	
2	Connecting Rod Complete	KR.4300.008	
3	Flange Rear with Bearing	KR.5000.307	
4	Piston 75 mm STD	KR.4300.012	
5	Piston 75,25 mm	KR.4300.014	
6	Piston 75,50 mm	KR.4300.013	
7	Piston 76 mm	KR.4300.018	
8	Piston Ring Set 75 mm STD	KR.4300.015	2 - 2 - 4
9	Piston Ring Set 75,25 mm	KR.4300.017	2 - 2 - 4
10	Piston Ring Set 75.50 mm	KR.4300.016	2 - 2 - 4
11	Piston Ring Set 76 mm	KR.4300.019	2 - 2 - 4
12	Valve Plate Complete	KR.5000.350	
13	Cylinder Head Complete	KR.5000.355	for LP4823
14	Valve Set	KR.4300.053	
15	Crankshaft Bearing	KR.4300.027	
16	Gasket Set	KR.5000.352	
17	Gasket + Valve Set	KR.5000.351	
18	Crankcase Cover	KR.4300.099	

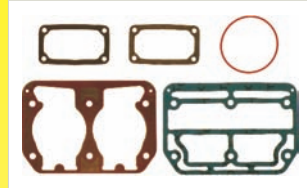
KNORR

LP4820, LP4821

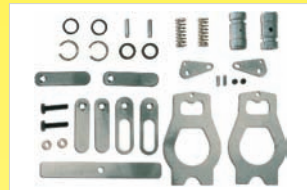
LP4825



KR.4400.051



KR.4400.052



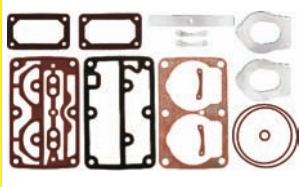
KR.4400.116

No.	Description	Truckline No.	Other Informations
1	Bearing Flange Rear Complete	KR.4300.007	
2	Crankshaft	KR.4300.006	
3	Connecting Rod Complete	KR.4400.008	
4	Piston 75 mm	KR.4300.012	
5	Piston 75,25 mm	KR.4300.014	
6	Piston 75,5 mm	KR.4300.013	
7	Piston 76 mm	KR.4300.018	
8	Piston Ring Set 75 mm	KR.4300.015	2-2-4
9	Piston Ring Set 75,25 mm	KR.4300.017	2-2-4
10	Piston Ring Set 75,5 mm	KR.4300.016	2-2-4
11	Piston Ring Set 76 mm	KR.4300.019	2-2-4
12	Valve Set	KR.4400.116	
13	Valve Plate Complete	KR.4400.050	
14	Gasket Set	KR.4400.052	
15	Gasket + Valve Set	KR.4400.051	
16	Cylinder Up Head	KR.4400.005	for LP4825
17	Crankshaft Bearing	KR.4300.027	
18	Crankcase Cover	KR.4300.099	

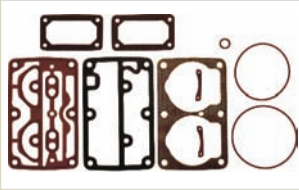
KNORR

LP4833

LP4827, LP4845, LP4846, LP4819, LP4828, LP4831, LP4838, LP4840, LP4843, LP4848, LP4849, LP4851, LP4853, LP4855



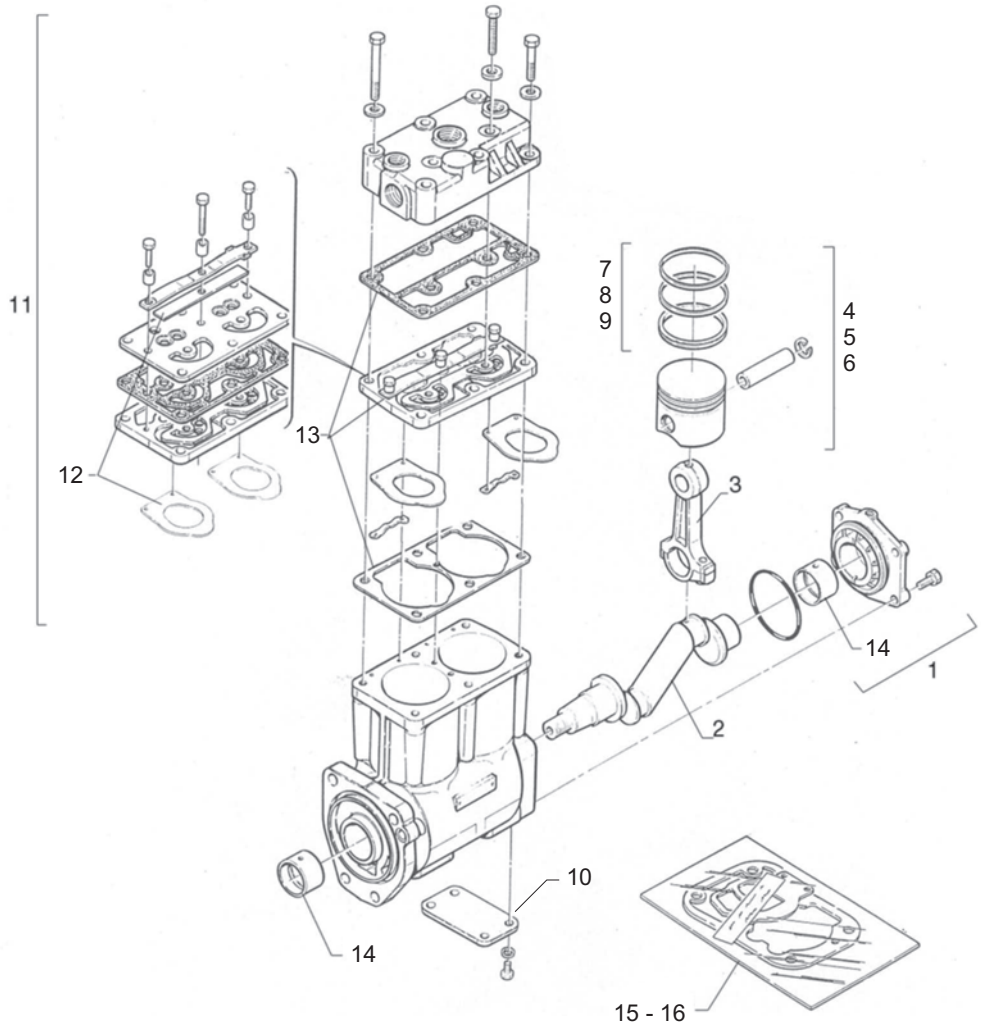
KR.7600.051



KR.7600.052



KR.4300.053

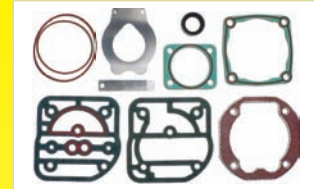
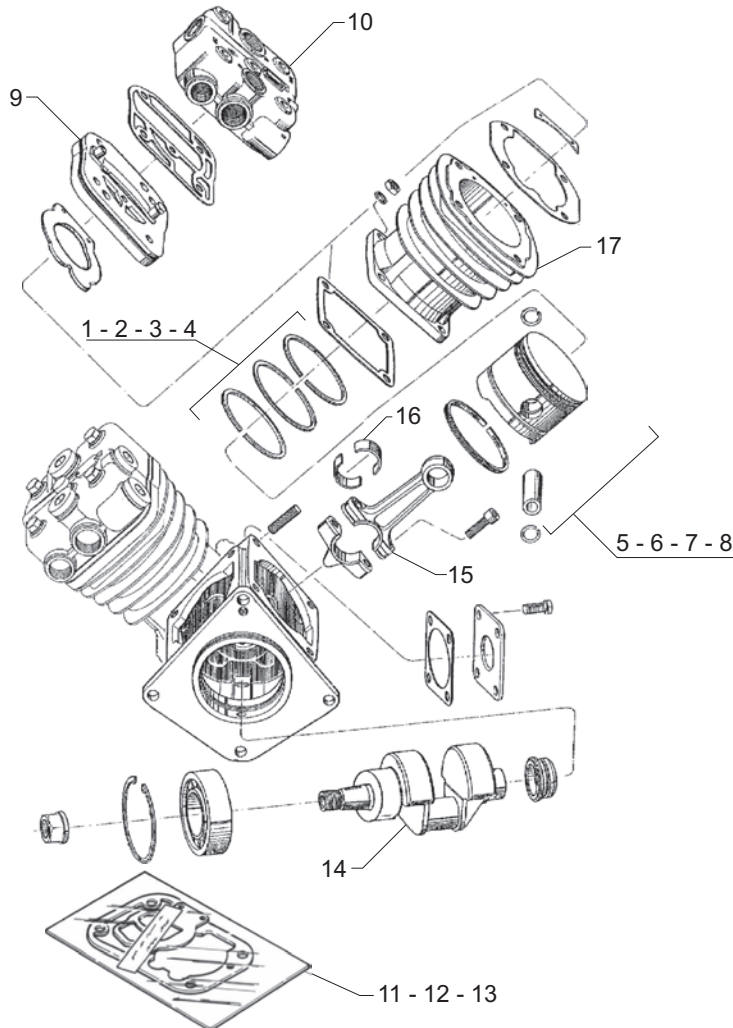


No.	Description	Truckline No.	Other Informations
1	Bearing Flange Rear Complete	KR.7600.007	
2	Crankshaft	KR.7600.005	
3	Connecting Rod	KR.7600.006	
4	Piston 78 mm	KR.7200.008	
5	Piston 78,5 mm	KR.7200.009	
6	Piston 79 mm	KR.7200.010	
7	Piston Ring Set 78 mm	KR.7200.011	2,5 - 2,5 - 4
8	Piston Ring Set 78,5 mm	KR.7200.012	2,5 - 2,5 - 4
9	Piston Ring Set 79 mm	KR.7200.013	2,5 - 2,5 - 4
10	Crankcase Cover	KR.4300.099	
11	Cylinder Head Complete	KR.7600.055	
12	Valve Set	KR.4300.053	
13	Valve Plate Complete	KR.7600.050	
14	Crankshaft Bearing	KR.4300.027	
15	Gasket Set	KR.7600.052	
16	Gasket + Valve Set	KR.7600.051	

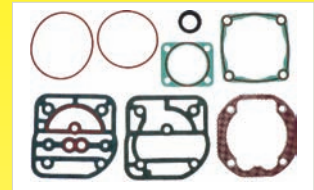
KNORR

LP4914

LP4916, LP4921, LP4925



KR.4600.052



KR.4600.051



KR.5400.013

No.	Description	Truckline No.	Other Informations
1	Piston Ring Set 88 mm	KR.5400.008	2,5 - 2,5 - 4
2	Piston Ring Set 88,25 mm	KR.5400.009	2,5 - 2,5 - 4
3	Piston Ring Set 88,50 mm	KR.5400.007	2,5 - 2,5 - 4
4	Piston Ring Set 89 mm	KR.5400.109	2,5 - 2,5 - 4
5	Piston 88 mm	KR.5400.010	
6	Piston 88,25 mm	KR.5400.011	
7	Piston 88,50 mm	KR.5400.019	
8	Piston 89 mm	KR.5400.119	
9	Valve Plate Complete	MN.3000.006	
10	Cylinder Up Head	MN.3000.107	
11	Gasket Set	KR.4600.051 (2x)	
12	Valve Set	KR.5400.013 (2x)	
13	Gasket + Valve Set	KR.4600.052 (2x)	
14	Crankshaft	KR.4660.001	
15	Connecting Rod Complete	KR.4660.002	
16	Connecting Rod Bearing	KR.4660.003	
17	Cylinder Liner	KR.4660.004	

KNORR

LP4930

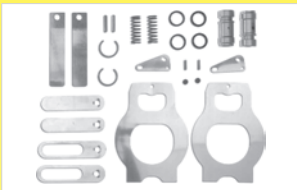
LP4934, LP4948, LP4949, LP4955, LP4949, LP4960, LP4961, LP4967, LP4968, LP4974, LP4977, LP4979, LP4998, LP4999



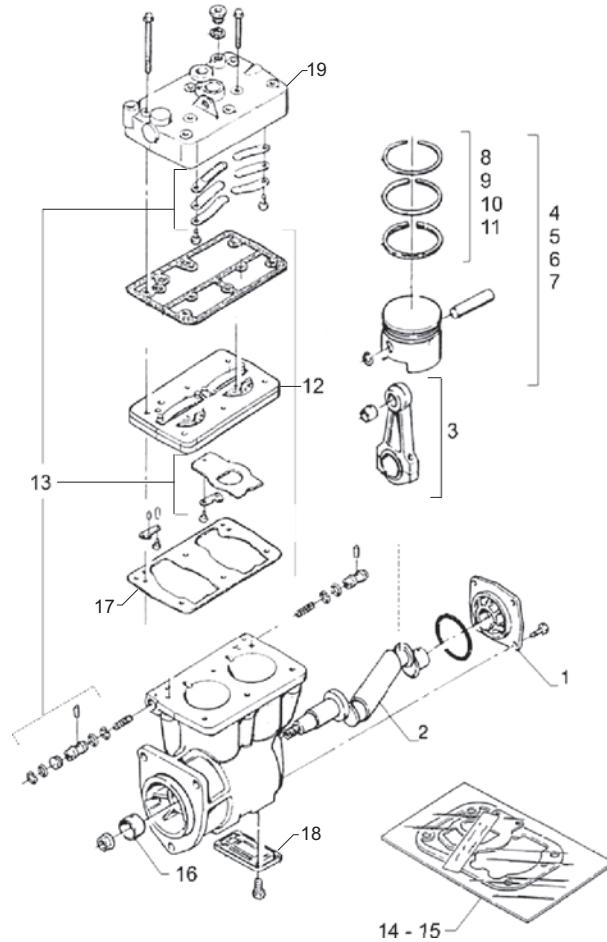
KR.4700.056



KR.4700.052



KR.4700.116

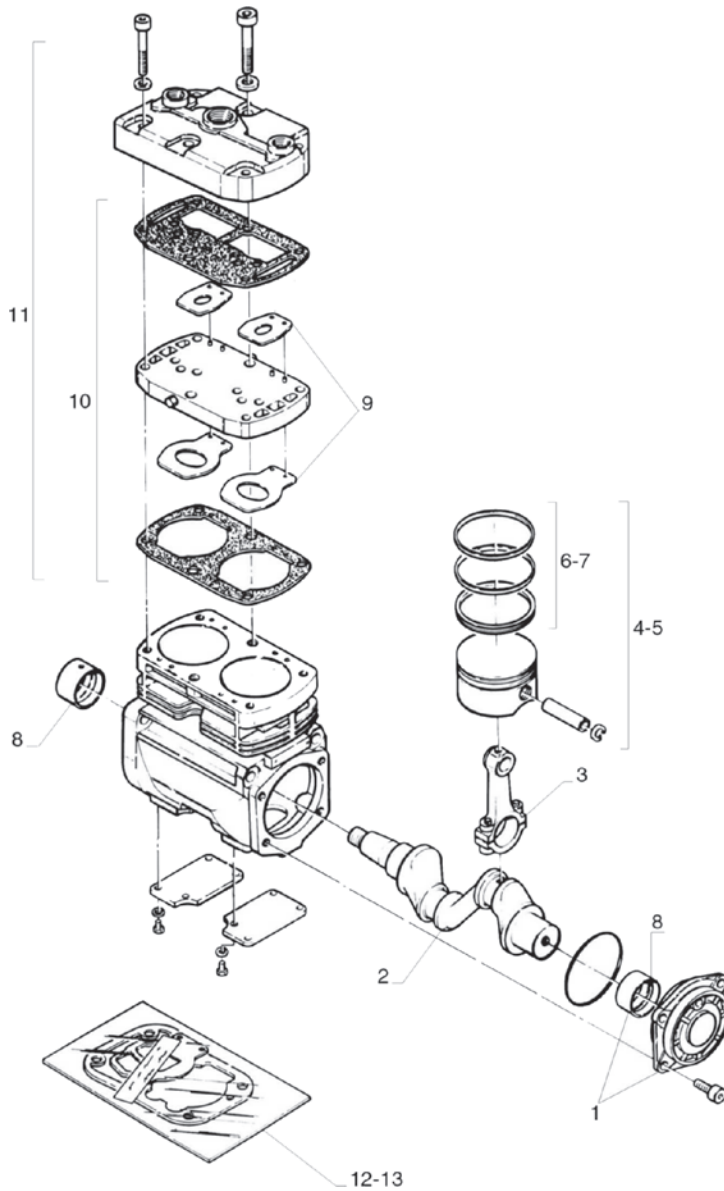


No.	Description	Truckline No.	Other Informations
1	Bearing Flange Rear Complete	KR.4700.007	for LP4930/34/60/67/74
2	Crankshaft	KR.4700.005	for LP4930/74
3	Connecting Rod	KR.4700.008	
4	Piston 88 mm	KR.5400.008	
5	Piston 88,25 mm	KR.5400.009	
6	Piston 88,5 mm	KR.5400.007	
7	Piston 89 mm	KR.5400.109	
8	Piston Ring Set 88 mm	KR.5400.010	2,5 - 2,5 - 4
9	Piston Ring Set 88,25 mm	KR.5400.011	2,5 - 2,5 - 4
10	Piston Ring Set 88,5 mm	KR.5400.019	2,5 - 2,5 - 4
11	Piston Ring Set 89 mm	KR.5400.119	2,5 - 2,5 - 4
12	Valve Plate Complete	KR.4700.050	
13	Valve Set	KR.4700.116	
14	Gasket Set	KR.4700.052	
15	Gasket + Valve Set	KR.4700.056	
16	Crankshaft Bearing	KR.4700.027	
17	Cylinder Head Gasket	KR.4700.053	
18	Crankcase Cover	KR.4300.099	
19	Cylinder Up Head	KR.4700.059	for LP4930
20	Compressor Gear	KR.4700.105	

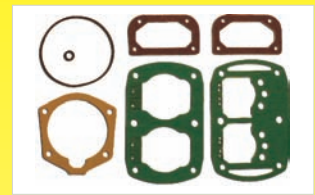
KNORR

LP4939

LP4943, LP4941, LP4945, 1013393000, 1013074000, 1013078000, 1013080000, 1013081000, 1013083000, 1013084000, 1013085000, 1013099000, 1013167000, 1013277000, 1013278000, 1013281000, 1013283000, 1013284000, 1013285000, 1013378000, 1013383000, 1013387000, 1013398000



KR.7400.051



KR.7400.052



MM.1080.014

No.	Description	Truckline No.	Other Informations
1	Bearing Flange Rear Complete	KR.7200.006	
2	Crankshaft	KR.7400.005	
3	Connecting Rod	MM.1080.030	
4	Piston 65 mm	KR.1500.012	
5	Piston 65,5 mm	KR.1500.013	
6	Piston Ring Set 65 mm	KR.1500.015	2 - 2 - 4
7	Piston Ring Set 65,5 mm	KR.1500.016	2 - 2 - 4
8	Crankshaft Bearing	KR.7200.019	
9	Valve Set	MM.1080.014 x 2	
10	Valve Plate Complete	KR.7400.050	
11	Cylinder Head Complete	KR.7400.055	
12	Gasket Set	KR.7400.052	
13	Gasket + Valve Set	KR.7400.051	

KNORR

LK4941

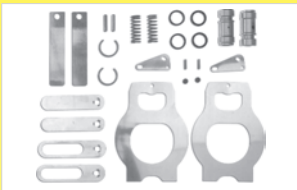
LP4957, LP4963, LP4964, LP4965, LP4966



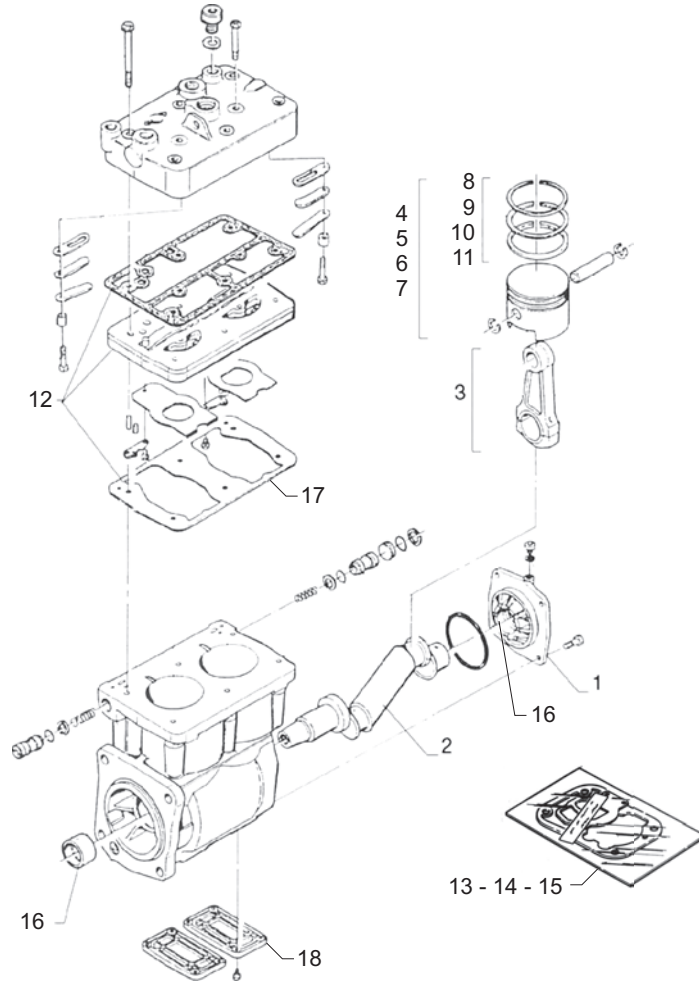
KR.4700.056



KR.4700.052



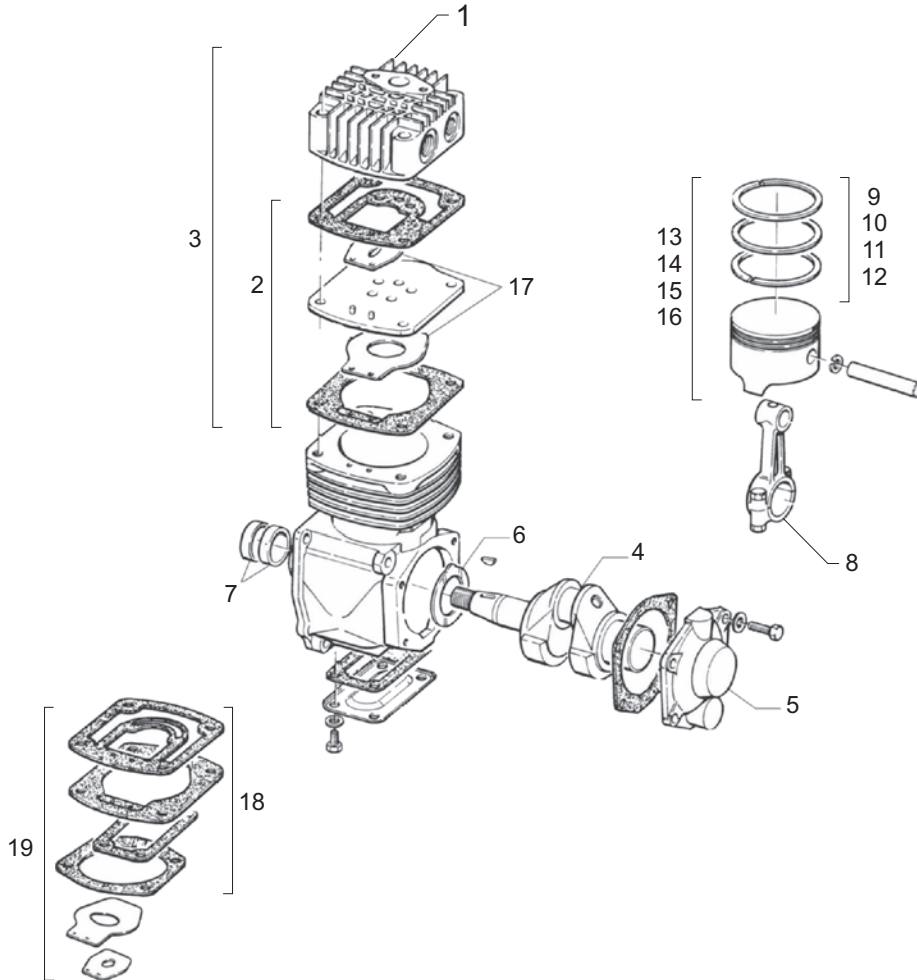
KR.4700.116



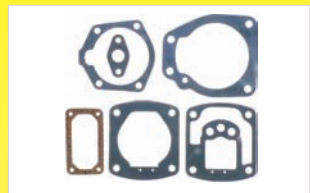
No.	Description	Truckline No.	Other Informations
1	Bearing Flange Rear Complete	KR.4700.007	for LP4957/63/64
2	Crankshaft	KR.4750.005	for LP4964
2	Crankshaft	KR.4760.005	for LP4965
3	Connecting Rod	KR.4700.008	
4	Piston 88 mm	KR.5400.008	
5	Piston 88,25 mm	KR.5400.009	
6	Piston 88,5 mm	KR.5400.007	
7	Piston 89 mm	KR.5400.109	
8	Piston Ring Set 88 mm	KR.5400.010	2,5 - 2,5 - 4
9	Piston Ring Set 88,25 mm	KR.5400.011	2,5 - 2,5 - 4
10	Piston Ring Set 88,5 mm	KR.5400.019	2,5 - 2,5 - 4
11	Piston Ring Set 89 mm	KR.5400.119	2,5 - 2,5 - 4
12	Valve Plate Complete	KR.4700.050	
13	Valve Set	KR.4700.116	
14	Gasket Set	KR.4700.052	
15	Gasket + Valve Set	KR.4700.056	
16	Crankshaft Bearing	KR.4700.027	
17	Cylinder Head Gasket	KR.4700.053	
18	Crankcase Cover	KR.4300.099	

MAGNETI MARELLI

AC67



KR.1150.047



KR.1150.019



KR.1150.018

No.	Description	Truckline No.	Other Informations
1	Cylinder Up Head	KR.1150.002	
2	Valve Plate Complete	KR.1150.020	
3	Cylinder Head Complete	KR.1150.021	
4	Crankshaft	KR.1150.006	
5	Bearing Flange Rear	KR.1150.003	
6	Crankshaft Thrust Ring	KR.1150.051	
7	Crankshaft Bearing Front	KR.1150.010	
8	Connecting Rod	KR.1080.030	
9	Piston Ring Set 80,00 mm	KR.1150.015	
10	Piston Ring Set 80,20 mm	KR.1150.037	
11	Piston Ring Set 80,50 mm	KR.1150.016	
12	Piston Ring Set 81,00 mm	KR.1150.017	
13	Piston 80,00 mm	KR.1150.012	
14	Piston 80,40 mm	KR.1150.013	
15	Piston 80,50 mm	KR.1150.0131	
16	Piston 80,60 mm	KR.1150.014	
17	Valve Set	KR.1150.018	
18	Gasket Set	KR.1150.019	
19	Gasket + Valve Set	KR.1150.047	

MAGNETI MARELLI

ACX68



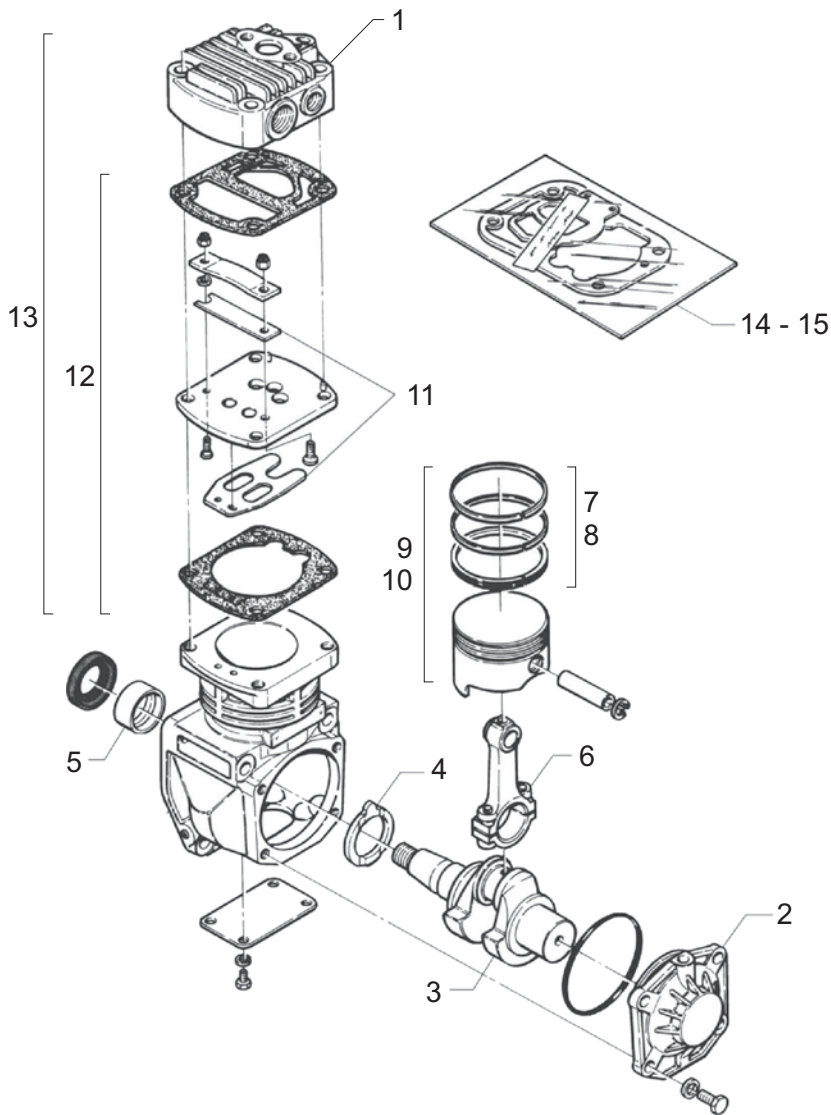
KR.1500.041



KR.1500.042



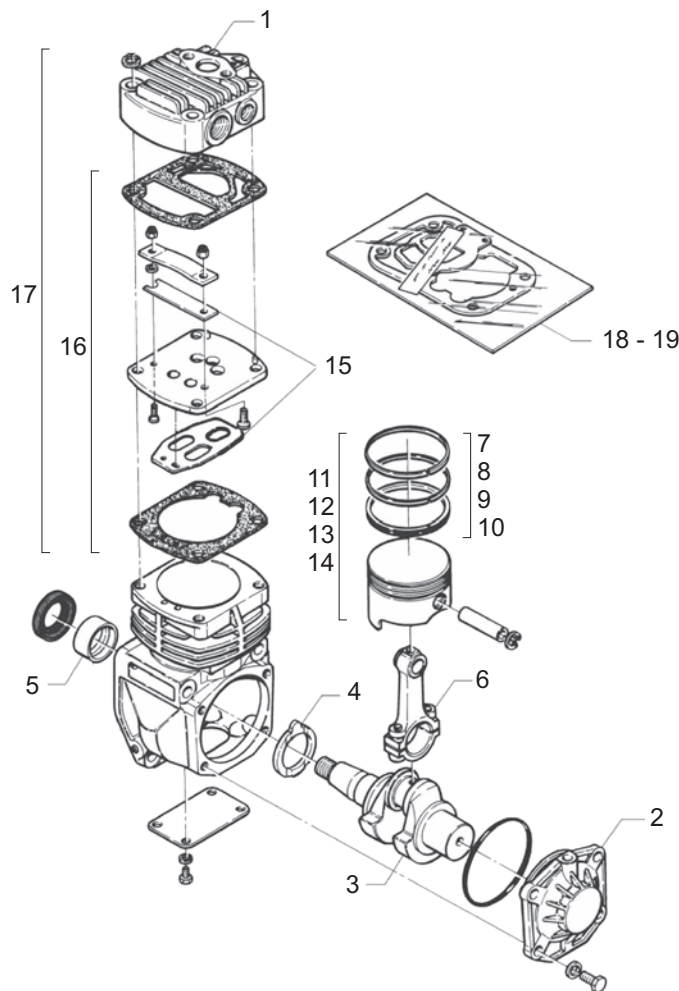
KR.1500.043



No.	Description	Truckline No.	Other Informations
1	Cylinder Up Head	KR.1500.002	
2	Bearing Flange Rear	KR.1150.062	
3	Crankshaft	KR.1500.004	
4	Crankshaft Thrust Ring	KR.1150.051	
5	Crankshaft Bearing Front	KR.1150.010	
6	Connecting Rod	KR.1080.030	
7	Piston Ring Set 65,00 mm	KR.1500.015	
8	Piston Ring Set 65,50 mm	KR.1500.016	
9	Piston 65,00 mm	KR.1500.012	
10	Piston 65,50 mm	KR.1500.013	
11	Valve Set	KR.1500.043	
12	Valve Plate Complete	KR.1500.049	
13	Cylinder Head Complete	KR.1500.045	
14	Gasket Set	KR.1500.042	
15	Gasket + Valve Set	KR.1500.041	

MAGNETI MARELLI

ACX69



KR.1550.041



KR.1550.042



KR.1550.043

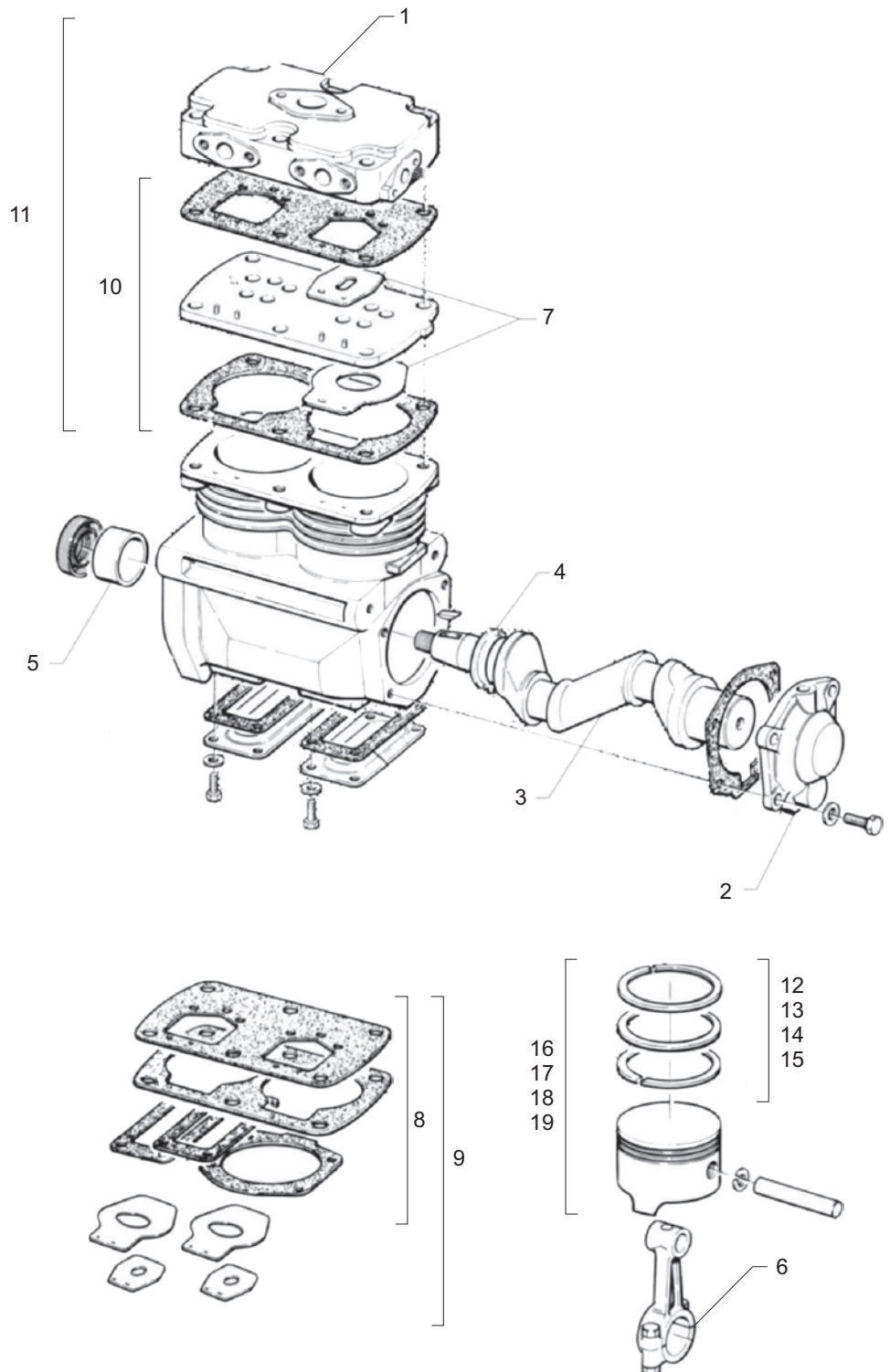
No.	Description	Truckline No.	Other Informations
1	Cylinder Up Head	KR.1500.002	
2	Bearing Flange Rear	KR.1150.062	
3	Crankshaft	KR.1550.004	
4	Crankshaft Thrust Ring	KR.1150.051	
5	Crankshaft Bearing Front	KR.1150.010	
6	Connecting Rod	KR.1080.030	
7	Piston Ring Set 80,00 mm	KR.1150.015	
8	Piston Ring Set 80,20 mm	KR.1150.037	
9	Piston Ring Set 80,50 mm	KR.1150.016	
10	Piston Ring Set 81,00 mm	KR.1150.017	
11	Piston 80,00 mm	KR.1150.012	
12	Piston 80,40 mm	KR.1150.013	
13	Piston 80,50 mm	KR.1150.0131	
14	Piston 80,60 mm	KR.1150.014	
15	Valve Set	KR.1550.043	
16	Valve Plate Complete	KR.1550.049	
17	Cylinder Head Complete	KR.1550.045	
18	Gasket Set	KR.1550.042	
19	Gasket + Valve Set	KR.1550.041	

MAGNETI MARELLI

ACX75



KR.1150.018



MAGNETI MARELLI

ACX75



KR.1160.047



KR.1180.025

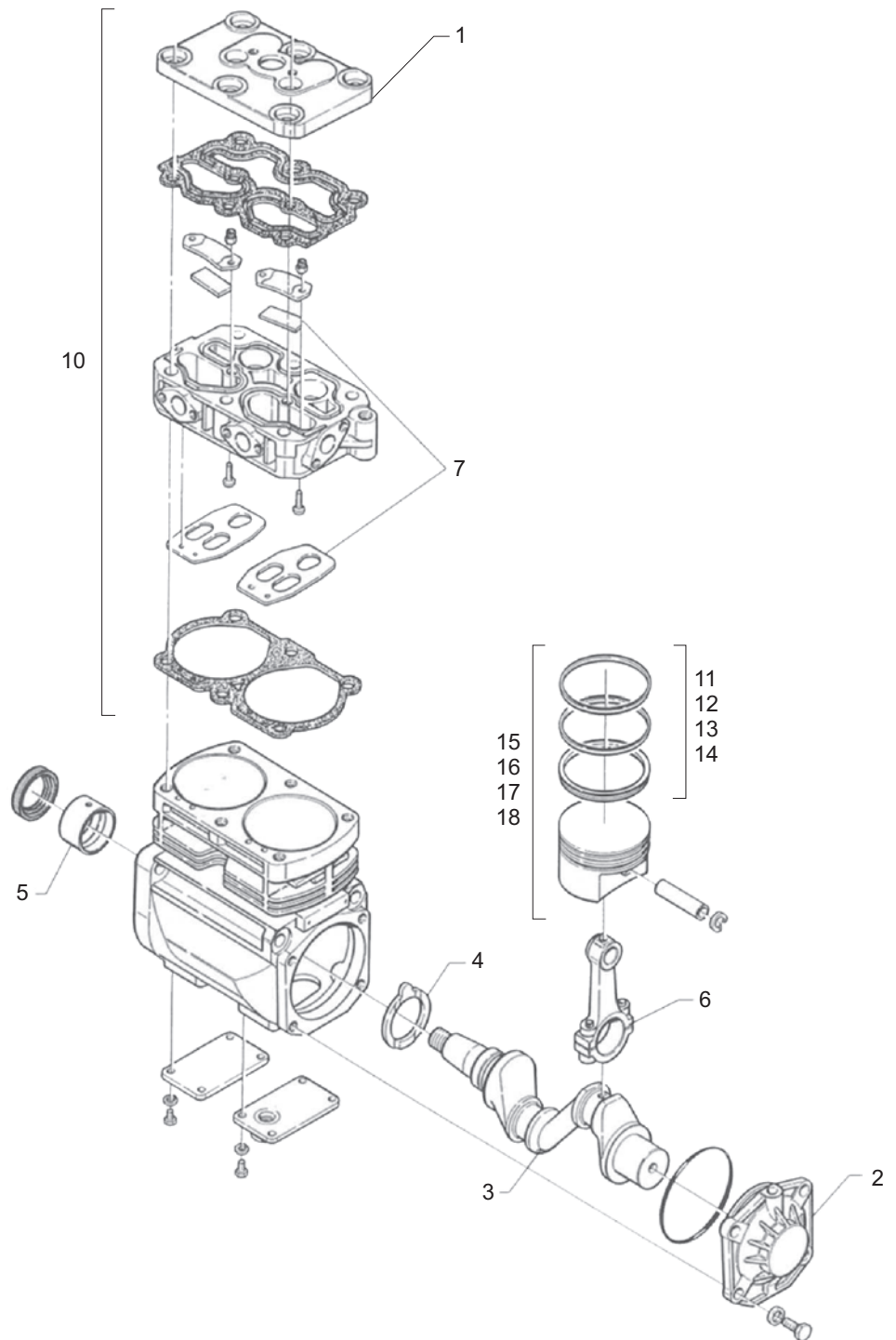
No.	Description	Truckline No.	Other Informations
1	Cylinder Up Head	KR.1170.002	
2	Bearing Flange Rear	KR.1160.007	for AC71C
2	Bearing Flange Rear	KR.1170.003	for AC74ZA
2	Bearing Flange Rear	KR.1150.063	for ACX75ZA
2	Bearing Flange Rear	KR.1150.062	for ACX75ZF-ZG-ZM-ZBX
2	Bearing Flange Rear	KR.1150.004	for AC77A-B
2	Bearing Flange Rear	KR.1200.004 + .005	for AC79B
2	Bearing Flange Rear	KR.1200.006	for AC79C, AC80A
3	Crankshaft	KR.1160.006	for AC71C
3	Crankshaft	KR.1170.006	for AC74ZA
3	Crankshaft	KR.1180.006	for ACX75ZA
3	Crankshaft	KR.1180.008	for ACX75ZBX
3	Crankshaft	KR.1180.009	for ACX75ZM
3	Crankshaft	KR.1190.001	for ACX77A
3	Crankshaft	KR.1190.002	for ACX77B
3	Crankshaft	KR.1200.001	for AC79B-C
3	Crankshaft	KR.1200.002	for AC79CG
3	Crankshaft	KR.1300.002	for AC80A
4	Crankshaft Thrust Ring	KR.1150.009	
5	Crankshaft Bearing Front	KR.1170.005	
6	Connecting Rod	KR.1080.009	for AC71C, AC74ZA, AC77A-B, AC79B-C, AC80A
6	Connecting Rod	KR.1080.030	for ACX75ZFG-ZGG-ZMG-ZBX, ACX79CG
7	Valve Set	KR.1150.018	For One Cylinder
8	Gasket Set	KR.1180.025	without Crankcase Cover Gasket for AC74ZA
9	Gasket + Valve Set	KR.1160.047	without Crankcase Cover Gasket for AC74ZA
10	Valve Plate Complete	KR.1170.016	
11	Cylinder Head Complete	KR.1170.017	
12	Piston Ring Set 80,00 mm	KR.1150.015	
13	Piston Ring Set 80,20 mm	KR.1150.037	
14	Piston Ring Set 80,50 mm	KR.1150.016	
15	Piston Ring Set 81,00 mm	KR.1150.017	
16	Piston 80,00 mm	KR.1150.012	for AC74ZA, AC77A-B, AC80A
16	Piston 80,00 mm	KR.1180.016	for AC71C, ACX75ZFG-ZGG-ZMG-ZBX, AC79B-C, ACX79CG
17	Piston 80,40 mm	KR.1150.013	for AC74ZA, AC77A-B, AC80A
17	Piston 80,20 mm	KR.1180.019	for AC71C, ACX75ZFG-ZGG-ZMG-ZBX, AC79B-C, ACX79CG
18	Piston 80,50 mm	KR.1150.0131	for AC74ZA, AC77A-B, AC80A
18	Piston 80,50 mm	KR.1180.017	for AC71C, ACX75ZFG-ZGG-ZMG-ZBX, AC79B-C, ACX79CG
19	Piston 80,60 mm	KR.1150.014	for AC74ZA, AC77A-B, AC80A
19	Piston 81,00 mm	KR.1180.018	for AC71C, ACX75ZFG-ZGG-ZMG-ZBX, AC79B-C, ACX79CG

MAGNETI MARELLI

ACX82-83

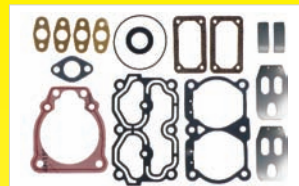
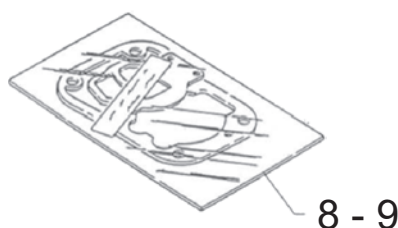


KR.1600.043



MAGNETI MARELLI

ACX82-83



KR.1600.041



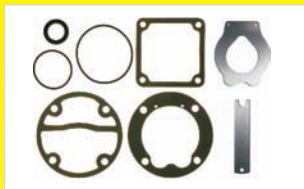
KR.1600.042

No.	Description	Truckline No.	Other Informations
1	Cylinder Up Head	KR.1600.003	
2	Bearing Flange Rear	KR.1150.062	
2	Bearing Flange Rear	KR.1300.055	for ACX80AA
2	Bearing Flange Rear	KR.1600.031	for ACX82BXS
3	Crankshaft	KR.1600.004	for ACX82A-AS
3	Crankshaft	KR.1300.054	for ACX80AA
3	Crankshaft	KR.1600.030	for ACX82BXS
3	Crankshaft	KR.1650.004	for ACX83A-AS
4	Crankshaft Thrust Ring	KR.1150.009	
5	Crankshaft Bearing Front	KR.1170.005	
6	Connecting Rod	KR.1080.030	for ACX80AA
7	Valve Set	KR.1600.043	For 1 Cylinder
8	Gasket Set	KR.1600.042	
9	Gasket + Valve Set	KR.1600.041	
10	Cylinder Head Complete	KR.1600.045	for ACX80AA, ACX82A, ACX82BXS, ACX83A
10	Cylinder Head Complete	KR.1650.045	for ACX82AS, ACX83AS
11	Piston Ring Set 80,00 mm	KR.1150.015	for ACX80AA, ACX82A-AS-BXS
11	Piston Ring Set 82,00 mm	KR.1650.015	for ACX83 (1,5 - 1,5 - 3)
11	Piston Ring Set 82,00 mm	KR.1650.115	for ACX83 (2,5 - 2,5 - 4)
12	Piston Ring Set 80,20 mm	KR.1150.037	for ACX80AA, ACX82A-AS-BXS
13	Piston Ring Set 80,50 mm	KR.1150.016	for ACX80AA, ACX82A-AS-BXS
13	Piston Ring Set 82,50 mm	KR.1650.017	for ACX83 (1,5 - 1,5 - 3)
13	Piston Ring Set 82,50 mm	KR.1650.117	for ACX83 (2,5 - 2,5 - 4)
14	Piston Ring Set 81,00 mm	KR.1150.017	for ACX80AA, ACX82A-AS-BXS
15	Piston 80,00 mm	KR.1150.012	for ACX80AA, ACX82A-AS-BXS
15	Piston 82,00 mm	KR.1650.012	for ACX83 (1,5 - 1,5 - 3)
15	Piston 82,00 mm	KR.1650.023	for ACX83 (2,5 - 2,5 - 4)
16	Piston 80,40 mm	KR.1150.013	for ACX80AA, ACX82A-AS-BXS
17	Piston 80,50 mm	KR.1150.0131	for ACX80AA, ACX82A-AS-BXS
17	Piston 82,50 mm	KR.1650.014	for ACX83 (1,5 - 1,5 - 3)
17	Piston 82,50 mm	KR.1650.025	for ACX83 (2,5 - 2,5 - 4)
18	Piston 80,60 mm	KR.1150.014	for ACX80AA, ACX82A-AS-BXS

WABCO

411 034 .. 0

411 042 .. 0, 411 043 .. 0



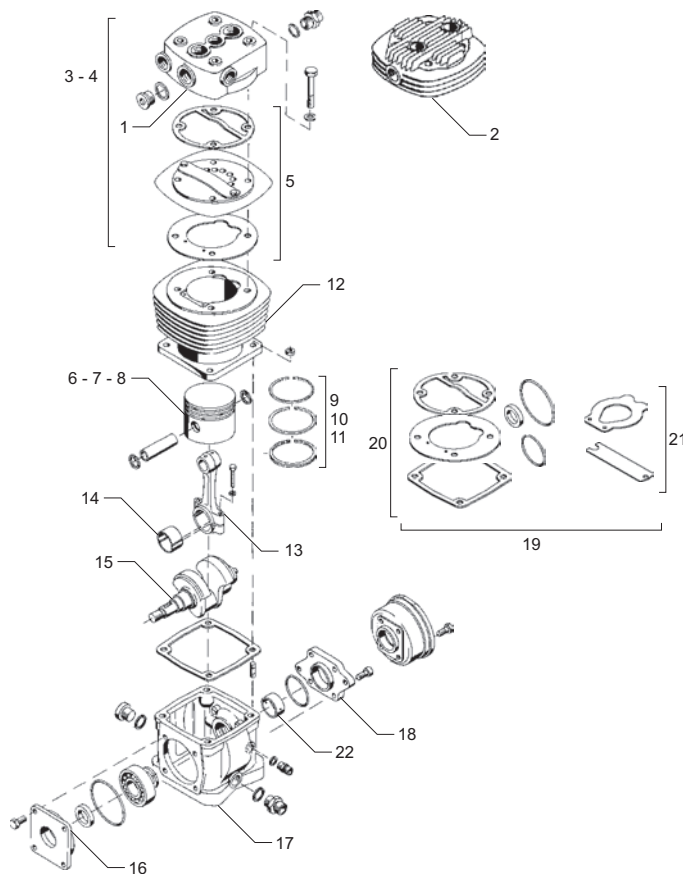
WA.5550.051



WA.5550.052



MR.2000.031

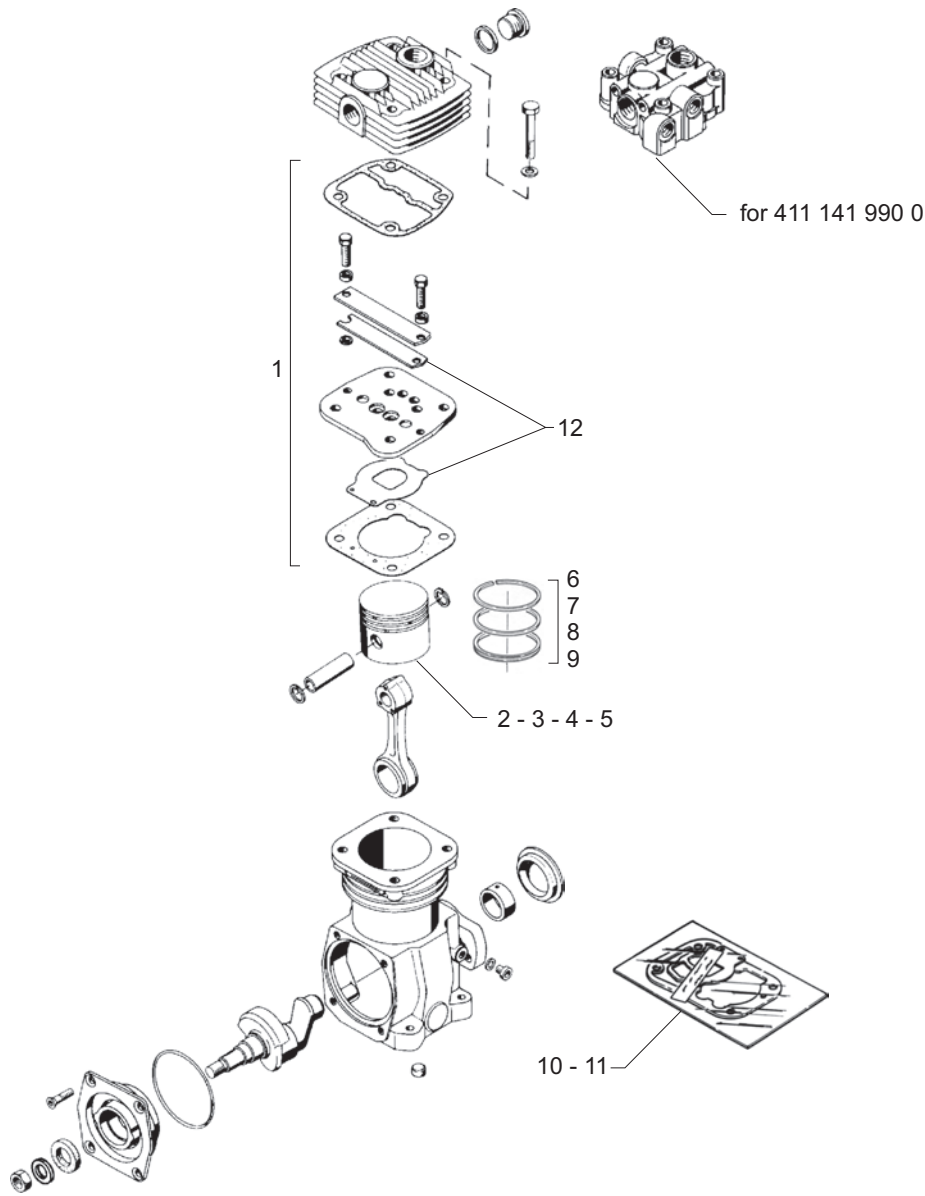


No.	Description	Truckline No.	Other Informations
1	Cylinder Up Head	WA.5550.057	Water Cooled
2	Cylinder Up Head	WA.5550.056	Air Cooled
3	Cylinder Head Complete	WA.5550.065	Water Cooled
4	Cylinder Head Complete	WA.5550.070	Air Cooled
5	Valve Plate Complete	WA.5550.055	
6	Piston 90 mm	WA.5600.010	
7	Piston 90,50 mm	WA.5600.011	
8	Piston 91 mm	WA.5600.014	
9	Piston Ring Set 90 mm	MN.2000.019	2,5 - 2,5 - 4
10	Piston Ring Set 90,50 mm	MN.2000.020	2,5 - 2,5 - 4
11	Piston Ring Set 91 mm	MN.2000.021	2,5 - 2,5 - 4
12	Cylinder Liner	WA.5550.030	
13	Connecting Rod Complete	WA.5550.018	
14	Connecting Rod Bearing kpl.	WA.5550.019	
15	Crankshaft	WA.5550.005	
16	Bearing Flange Front	WA.5550.007	
17	Crankcase	WA.5550.010	
18	Bearing Flange Front	WA.5550.008	
19	Gasket + Valve Set	WA.5550.051	
20	Gasket Set	WA.5550.052	
21	Valve Set	MR.2000.031	
22	Crankshaft Bearing Rear	WA.5550.006	

WABCO

411 141 .. 0, 411 145 001 0, 411 145 003 0, 411 145 004 0, 411 145 005 0, 411 145 050 0

411 140 .. 0



WA.5650.031



WA.7300.053



WA.5650.008

No.	Description	Truckline No.	Other Informations
1	Valve Plate Complete	WA.5650.050	
2	Piston 75 mm	WA.5000.008	
3	Piston 75,25 mm	WA.5000.028	
4	Piston 75,50 mm	WA.5000.038	
5	Piston 76 mm	WA.5000.048	
6	Piston Ring Set 75 mm	WA.5000.009	2 - 2 - 4
7	Piston Ring Set 75,25 mm	WA.5000.029	2 - 2 - 4
8	Piston Ring Set 75,50 mm	WA.5000.039	2 - 2 - 4
9	Piston Ring Set 76 mm	WA.5000.049	2 - 2 - 4
10	Gasket Set	WA.5650.008	excepting 411 145 050 0 (different Cylinder Up Head Gasket)
11	Gasket and Valve Set	WA.5650.031	excepting 411 145 050 0 (different Cylinder Up Head Gasket)
12	Valve Set	WA.7300.053	

WABCO

411 142 .. 0

411 143 .. 0, 411 147 .. 0



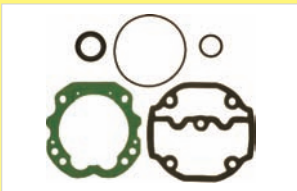
WA.5600.031



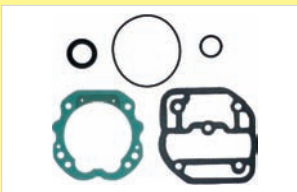
WA.5700.031



MN.3000.032



W.5600.008



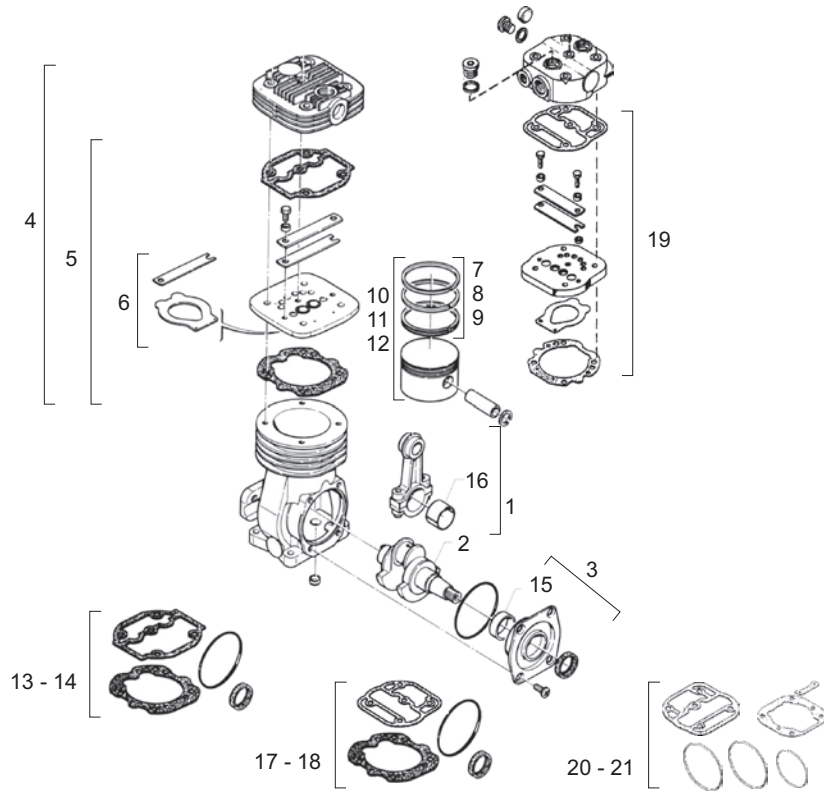
WA.5700.008



MN.3000.031



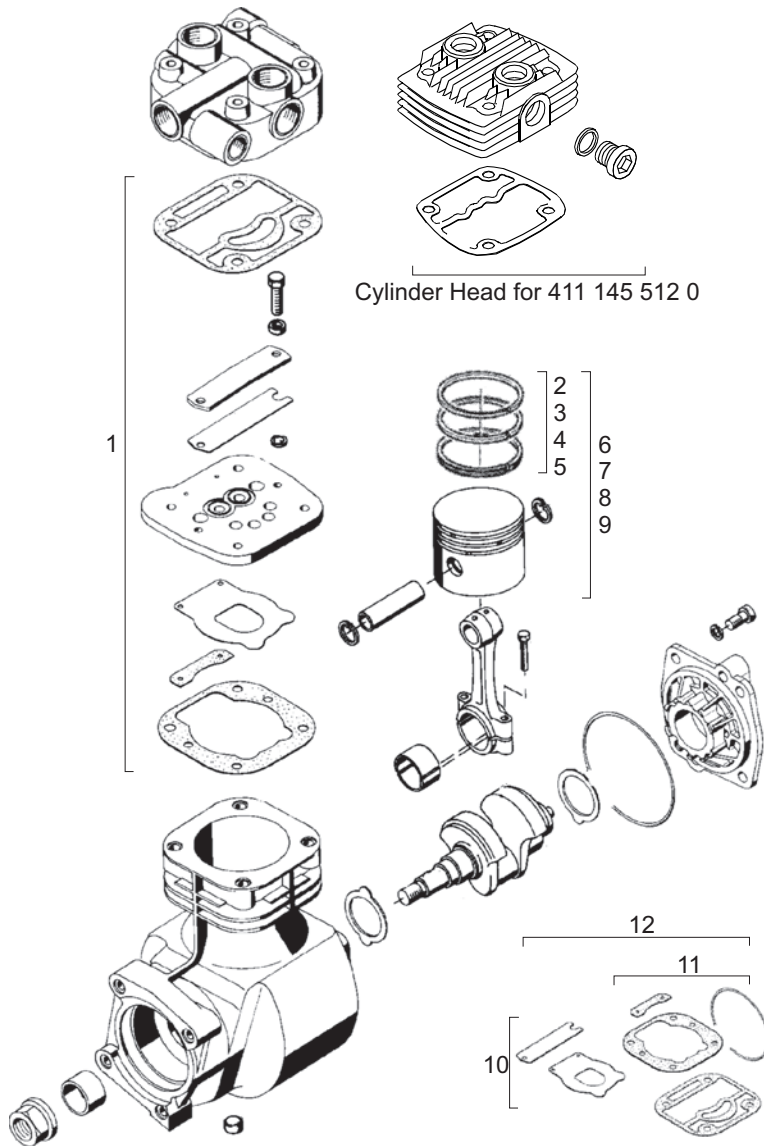
MR.2000.031



No.	Description	Truckline No.	Other Informations
1	Connecting Rod Complete	WA.5600.006	
2	Crankshaft	WA.5600.004	for 411142816/818/566/960 0
2	Crankshaft	WA.5700.004	for 411 142 711/805/845 0
3	Bearing Flange Front Complete	WA.5600.005	
4	Cylinder Head Complete	WA.5600.006	for 411 142 816 0
5	Valve Plate Complete	WA.5600.007	for 411142711/805/816/818/845 0, 411143001/602/805/818/843/844/845 0
6	Valve Set	MR.2000.031	
7	Piston Ring Set 90 mm	MN.2000.019	2,5 - 2,5 - 4
8	Piston Ring Set 90,50 mm	MN.2000.020	2,5 - 2,5 - 4
9	Piston Ring Set 91 mm	MN.2000.021	2,5 - 2,5 - 4
10	Piston 90 mm	WA.5600.010	
11	Piston 90,50 mm	WA.5600.011	
12	Piston 91 mm	WA.5600.014	
13	Gasket Set	WA.5600.008	for 411142711/805/816/818/845 0, 411143001/602/805/818/843/844/845 0
14	Gasket + Valve Set	WA.5600.031	for 411142711/805/816/818/845 0, 411143001/602/805/818/843/844/845 0
15	Crankshaft Bearing Front	WA.5600.019	
16	Connecting Rod Bearing	WA.5600.018	
17	Gasket Set	WA.5700.008	for 411142507/566/681/850/880/960 0; 411143680/682/861/881/883 0; 411147000/050/058/059/064/065 0
18	Gasket + Valve Set	WA.5700.031	for 411142507/566/681/850/880/960 0; 411143680/682/861/881/883 0; 411147000/050/058/059/064/065 0
19	Valve Plate Complete	MN.3000.008	for 411142507/566/681/850/880/960 0; 411143680/682/861/881/883 0; 411147000/050/058/059/064/065 0
20	Gasket Set	MN.3000.031	for 411 147 062 0
21	Gasket + Valve Set	MN.3000.032	for 411 147 062 0

411 145 052 0, 411 145 053 0, 411 145 057 0, 411 145 505 0, 411 145 507 0,
411 145 512 0, 411 141 550 0, 411 141 551 0

411 145 051 0



WA.7300.051



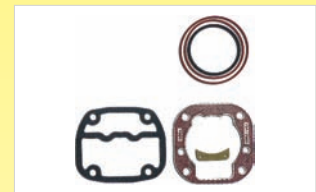
WA.7300.052



WA.7300.008



WA.7300.055



WA.7300.054

No.	Description	Truckline No.	Other Informations
1	Valve Plate Complete	WA.5700.050	
2	Piston Ring Set 75 mm	WA.5000.009	2-2-4
3	Piston Ring Set 75,25 mm	WA.5000.029	2-2-4
4	Piston Ring Set 75,50 mm	WA.5000.039	2-2-4
5	Piston Ring Set 76 mm	WA.5000.049	2-2-4
6	Piston 75 mm	WA.5000.008	
7	Piston 75,25 mm	WA.5000.028	
8	Piston 75,50 mm	WA.5000.038	
9	Piston 76 mm	WA.5000.048	
10	Valve Set	WA.7300.008	
11	Gasket Set	WA.7300.052	
11	Gasket Set	WA.7300.054	for 411 145 512 0
12	Gasket + Valve Set	WA.7300.051	
12	Gasket + Valve Set	WA.7300.055	for 411 145 512 0

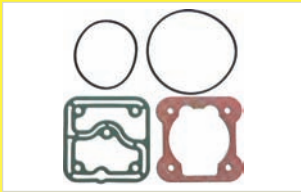
WABCO

411 151 000 0

411 153 000 0, 911 153 000 0, 911 153 001 0



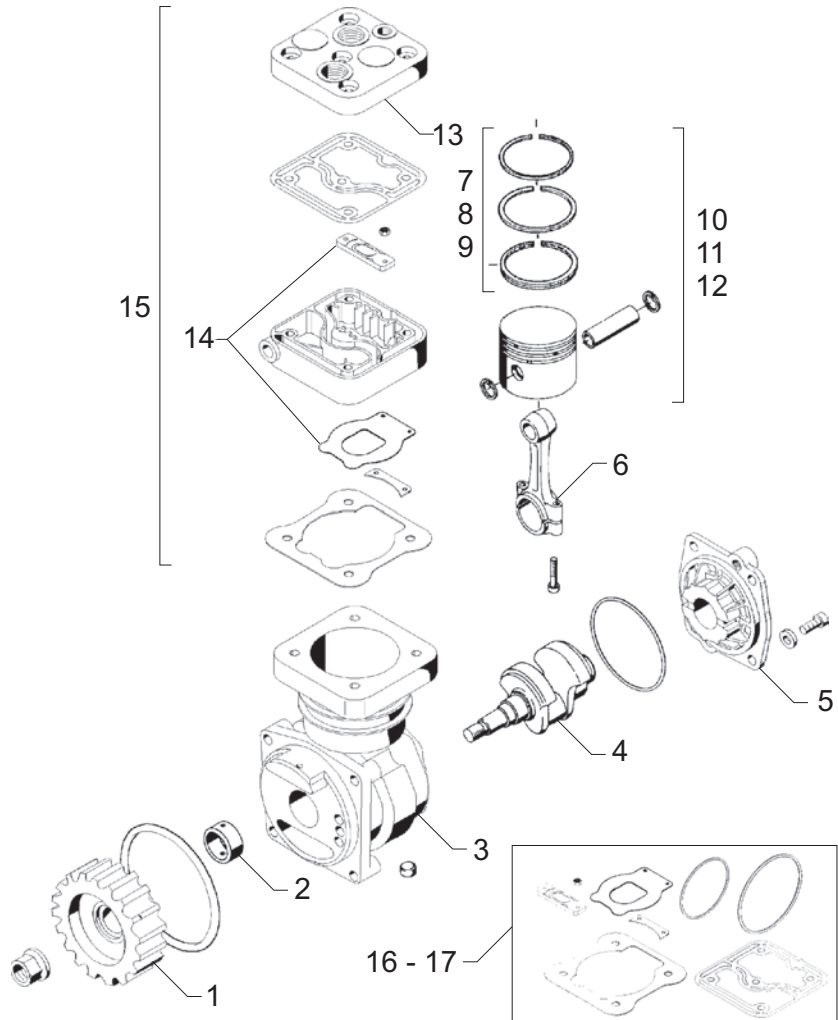
WA.5900.053



WA.5900.055



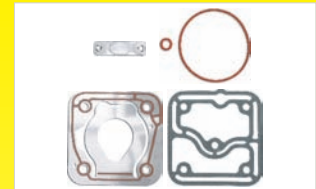
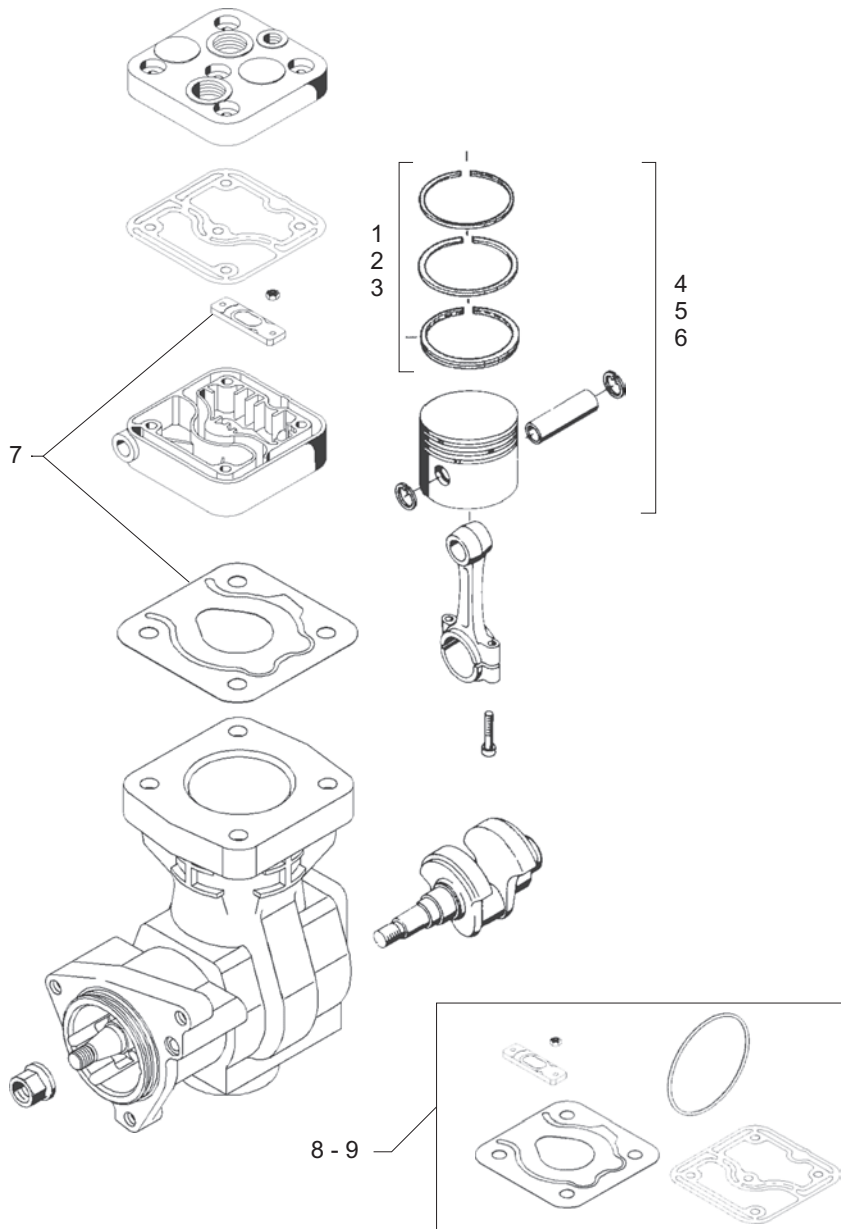
WA.5900.054



No.	Description	Truckline No.	Other Informations
1	Compressor Gear	WA.5900.003	
2	Crankshaft Bearing Front	WA.5900.004	
3	Crankcase	WA.5900.005	for 411 153 000 0
4	Crankshaft	WA.5900.006	
5	Crankshaft Flange Rear	WA.5900.010	
6	Connecting Rod Complete	WA.4750.010	
7	Piston Ring Set 85 mm	WA.4200.014	2-2-4
8	Piston Ring Set 85,25 mm	WA.4200.015	2-2-4
9	Piston Ring Set 85,50 mm	WA.4200.016	2-2-4
10	Piston 85 mm	WA.4200.012	
11	Piston 85,25 mm	WA.4200.013	
12	Piston 85,50 mm	WA.4200.010	
13	Cylinder Up Head	WA.5900.057	for 411 153 000 0
14	Valve Set	WA.5900.054	
15	Cylinder Head Complete	WA.5900.052	
16	Gasket Set	WA.5900.055	
17	Gasket + Valve Set	WA.5900.053	

WABCO

411 151 004 0



WA.5900.051



WA.5900.050



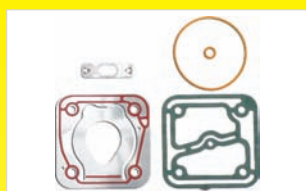
WA.5900.049

No.	Description	Truckline No.	Other Informations
1	Piston Ring Set 85 mm	WA.4200.014	2-2-4
2	Piston Ring Set 85,25 mm	WA.4200.015	2-2-4
3	Piston Ring Set 85,50 mm	WA.4200.016	2-2-4
4	Piston 85 mm	WA.4200.012	
5	Piston 85,25 mm	WA.4200.013	
6	Piston 85,50 mm	WA.4200.010	
7	Valve Set	WA.5900.049	
8	Gasket Set	WA.5900.050	
9	Gasket + Valve Set	WA.5900.051	

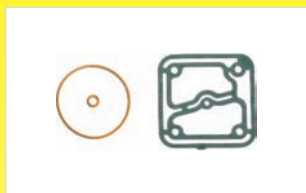
WABCO

411 151 003 0

411 154 000 0



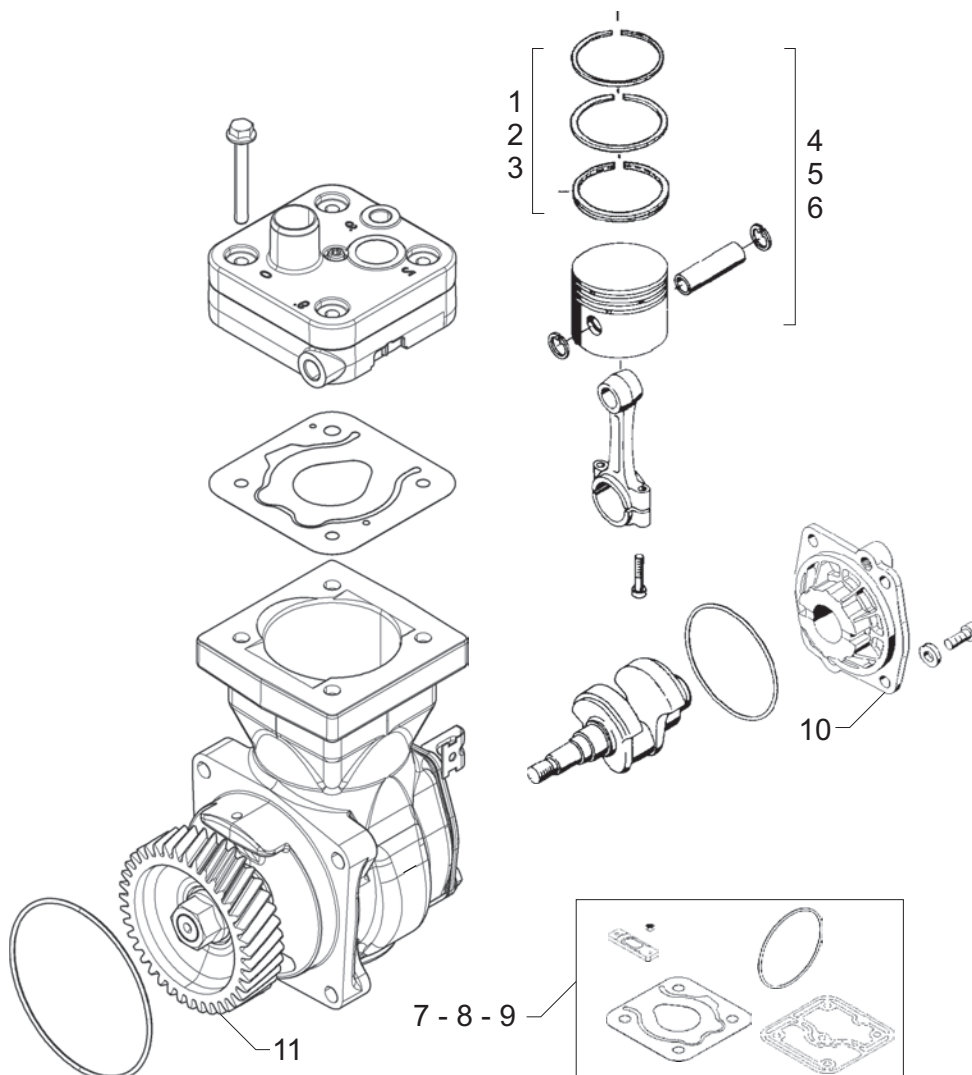
WA.5910.051



WA.5910.053



WA.5900.049

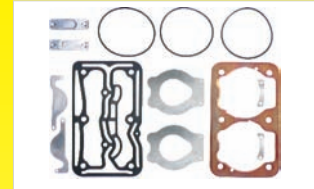
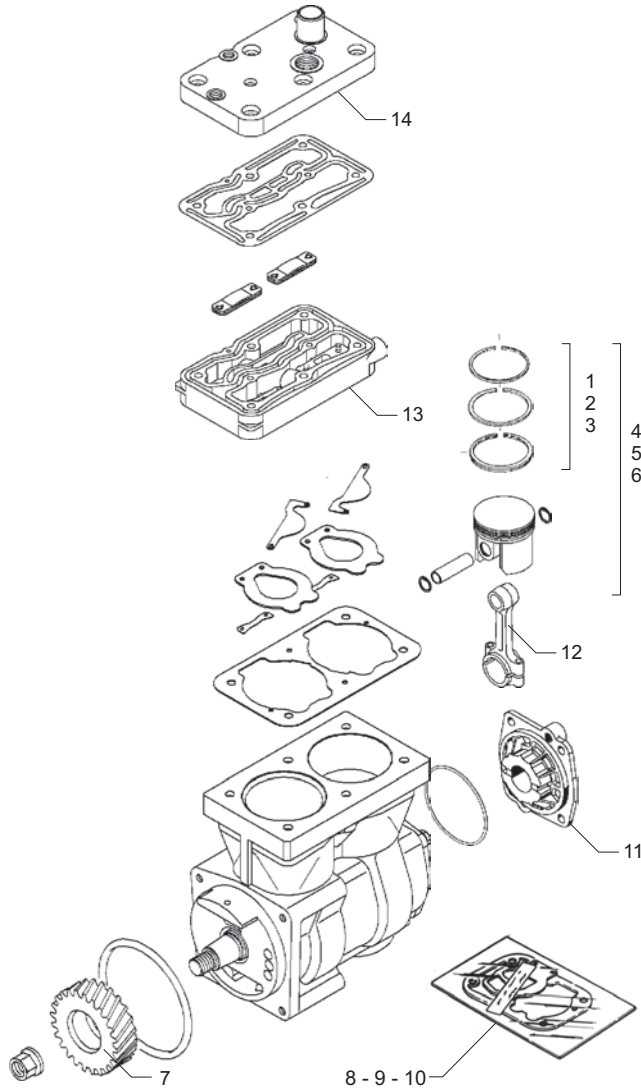


No.	Description	Truckline No.	Other Informations
1	Piston Ring Set 85 mm	WA.4200.014	2-2-4
2	Piston Ring Set 85,25 mm	WA.4200.015	2-2-4
3	Piston Ring Set 85,50 mm	WA.4200.016	2-2-4
4	Piston 85 mm	WA.4200.012	
5	Piston 85,25 mm	WA.4200.013	
6	Piston 85,50 mm	WA.4200.010	
7	Valve Set	WA.5900.049	
8	Gasket Set	WA.5910.053	
9	Gasket + Valve Set	WA.5910.051	
10	Crankshaft Flange Rear Complete	WA.5900.010	
11	Compressor Gear	WA.5900.003	

WABCO

412 636 000 0

411 553 000 0



WA.6200.004



WA.6200.009



WA.5900.054

No.	Description	Truckline No.	Other Informations
1	Piston Ring Set 85 mm	WA.4200.014	2-2-4
2	Piston Ring Set 85,25 mm	WA.4200.015	2-2-4
3	Piston Ring Set 85,50 mm	WA.4200.016	2-2-4
4	Piston 85 mm	WA.4200.012	
5	Piston 85,25 mm	WA.4200.013	
6	Piston 85,50 mm	WA.4200.010	
7	Compressor Gear	WA.5900.003	
8	Valve Set	WA.5900.054	
9	Gasket Set	WA.6200.009	
10	Gasket + Valve Set	WA.6200.004	
11	Crankshaft Flange Rear	WA.5900.010	
12	Connecting Rod	WA.4750.010	
13	Valve Plate	WA.6200.002	only for 412 636 000 0
14	Cylinder Up Head	WA.6200.001	
15	Repair Kit	WA.6200.005	only for 412 636 000 0

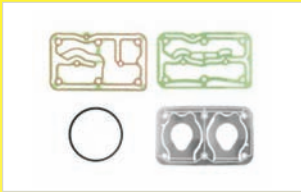
WABCO

411 553 001 0

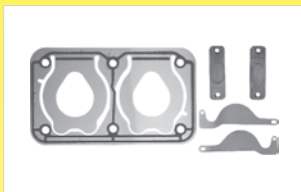
412 636 001 0, 912 510 000 0



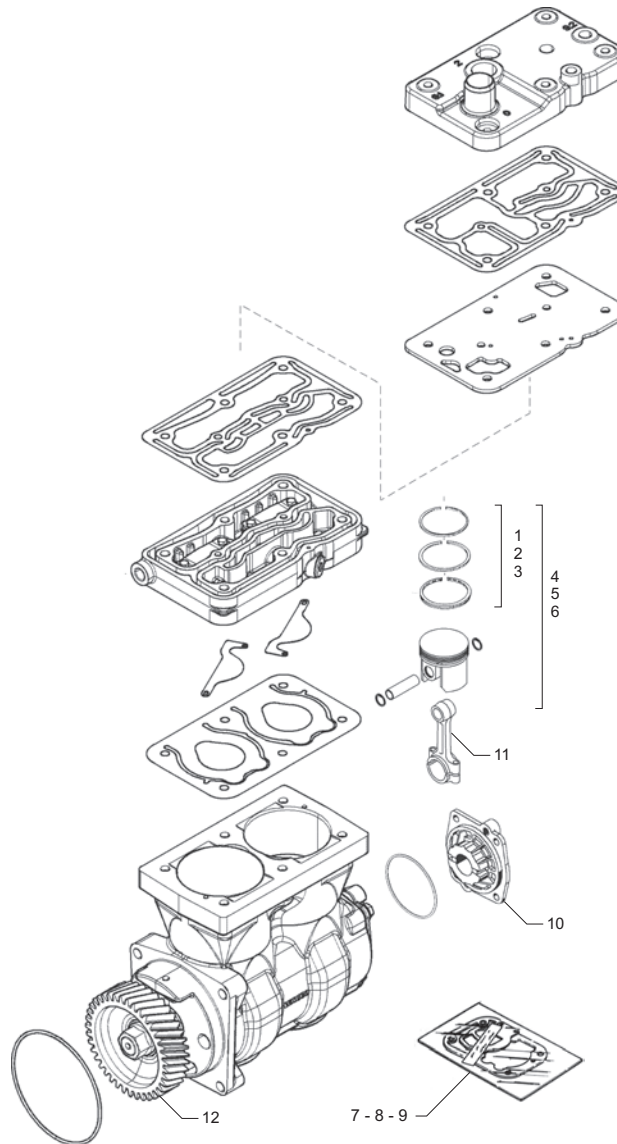
WA.6200.051



WA.6200.052



WA.4700.053

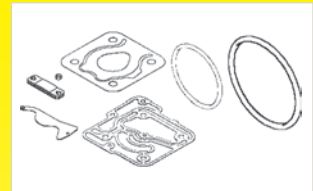
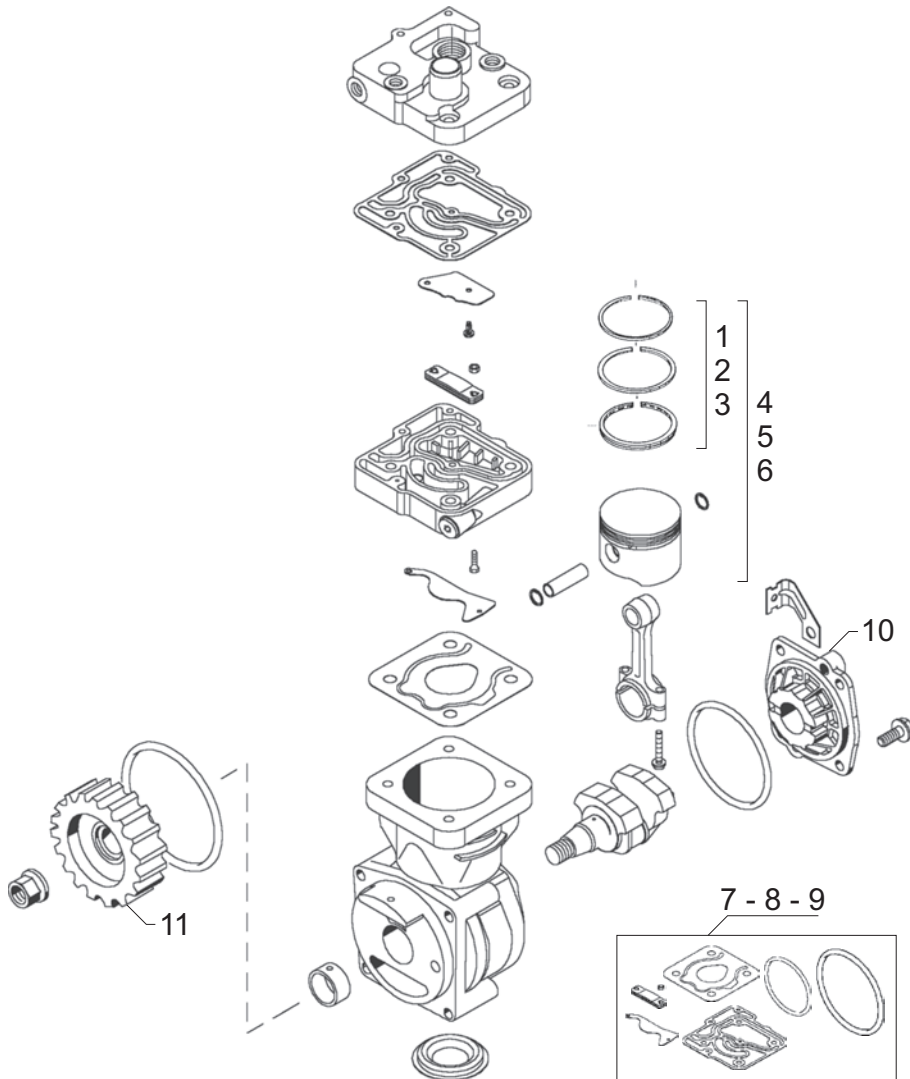


No.	Description	Truckline No.	Other Informations
1	Piston Ring Set 85 mm	WA.4200.014	2-2-4
2	Piston Ring Set 85,25 mm	WA.4200.015	2-2-4
3	Piston Ring Set 85,50 mm	WA.4200.016	2-2-4
4	Piston 85 mm	WA.4200.012	
5	Piston 85,25 mm	WA.4200.013	
6	Piston 85,50 mm	WA.4200.010	
7	Valve Set	WA.4700.053	
8	Gasket Set	WA.6200.052	
9	Gasket + Valve Set	WA.6200.051	
10	Crankshaft Flange Rear	WA.5900.010	
11	Connecting Rod	WA.4750.010	
12	Compressor Gear	WA.5900.003	
13	Repair Kit	WA.6200.005	for 412 636 001 0 912 510 000 0

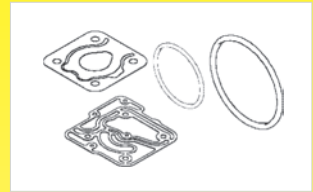
WABCO

412 352 002 0

412 352 001 0



WA.5920.051



WA.5920.050



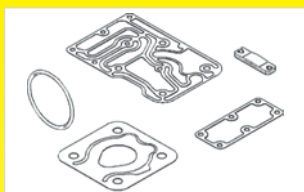
WA.5900.049

No.	Description	Truckline No.	Other Informations
1	Piston Ring Set 85 mm	WA.4200.014	2-2-4
2	Piston Ring Set 85,25 mm	WA.4200.015	2-2-4
3	Piston Ring Set 85,50 mm	WA.4200.016	2-2-4
4	Piston 85 mm	WA.4200.012	
5	Piston 85,25 mm	WA.4200.013	
6	Piston 85,50 mm	WA.4200.010	
7	Valve Set	WA.5900.049	
8	Gasket Set	WA.5920.050	
9	Gasket + Valve Set	WA.5920.051	
10	Crankshaft Flange Rear Complete	WA.5900.010	
11	Compressor Gear	WA.5900.003	

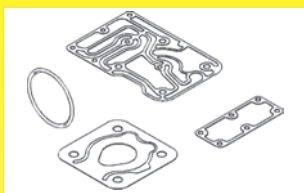
WABCO

412 352 003 0

912 117 000 0



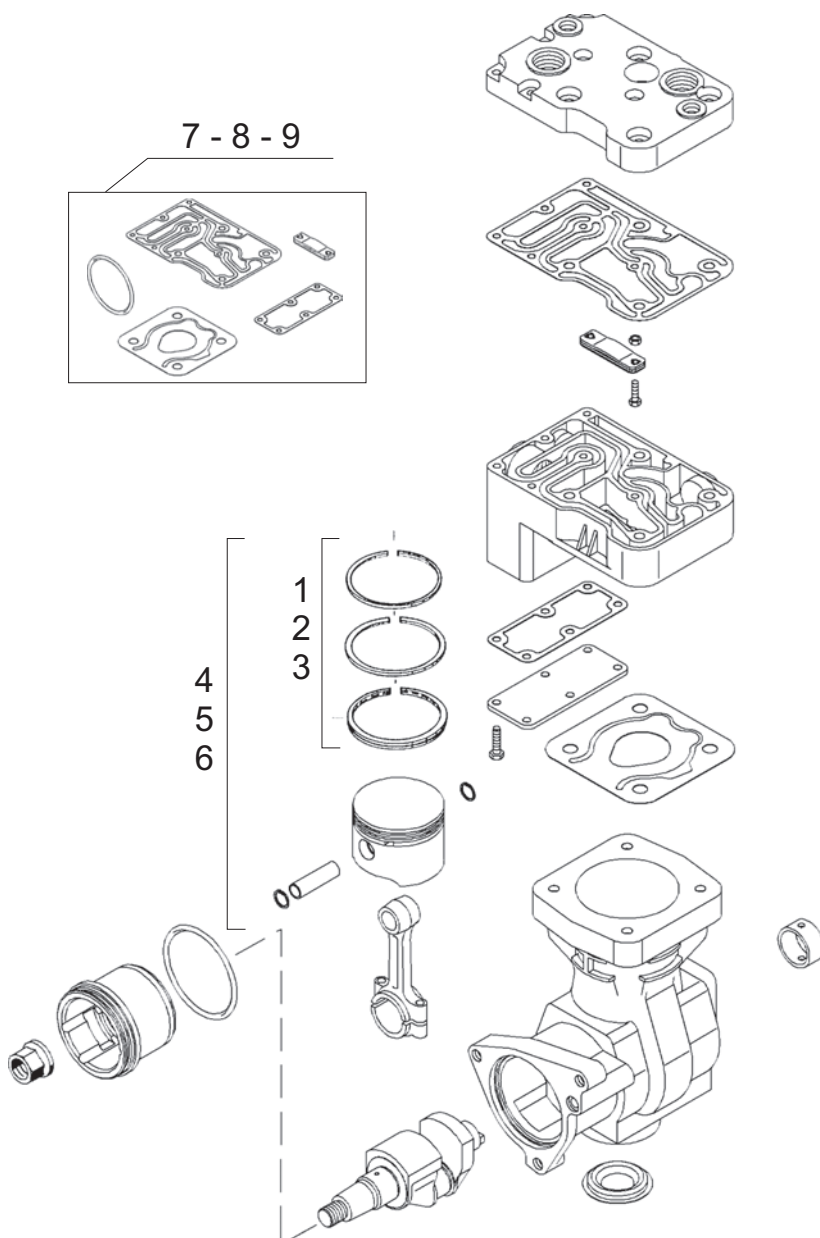
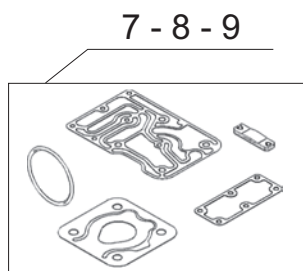
WA.5930.051



WA.5930.050



WA.5900.049

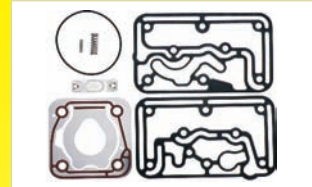
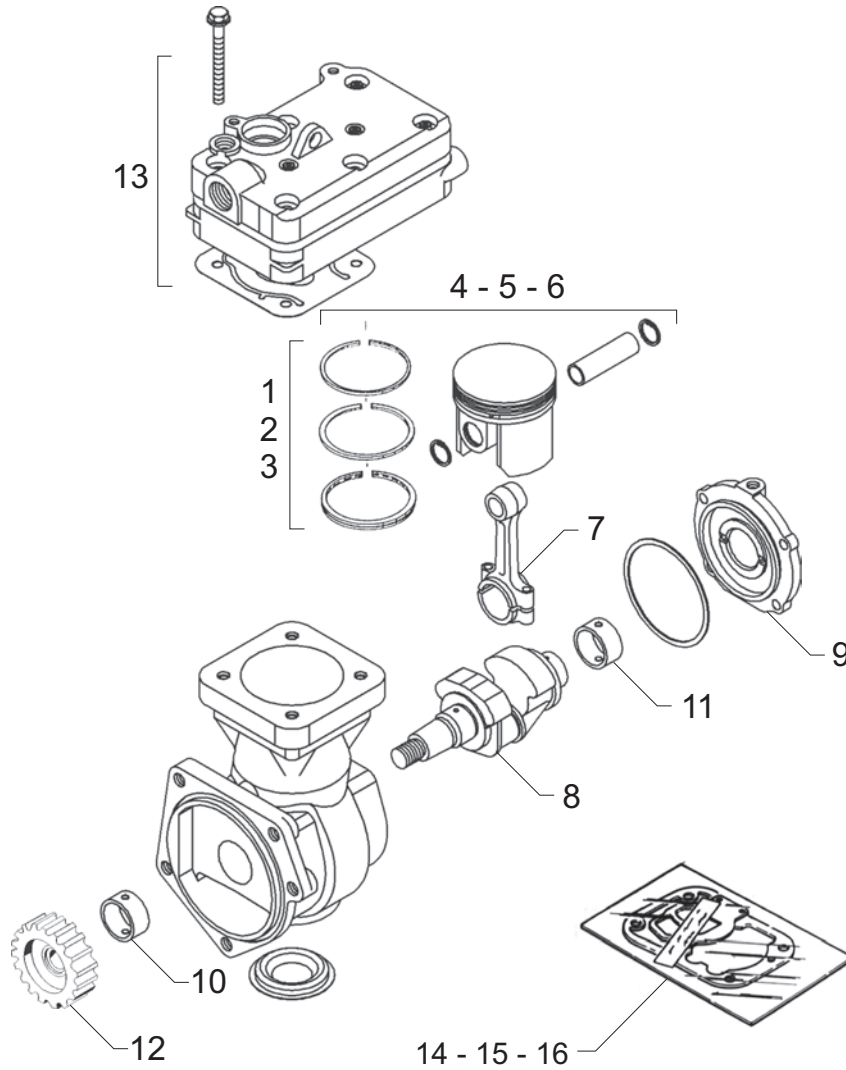


No.	Description	Truckline No.	Other Informations
1	Piston Ring Set 85 mm	WA.4200.014	2-2-4
2	Piston Ring Set 85,25 mm	WA.4200.015	2-2-4
3	Piston Ring Set 85,50 mm	WA.4200.016	2-2-4
4	Piston 85 mm	WA.4200.012	
5	Piston 85,25 mm	WA.4200.013	
6	Piston 85,50 mm	WA.4200.010	
7	Valve Set	WA.5900.049	
8	Gasket Set	WA.5930.050	
9	Gasket + Valve Set	WA.5930.051	

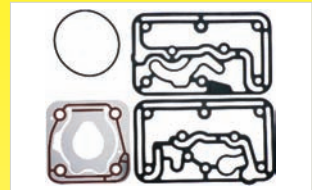
WABCO

412 352 005 0, 912 112 000 0, 912 114 000 0, 912 142 000 0

412 352 004 0



WA.4750.056



WA.4750.052



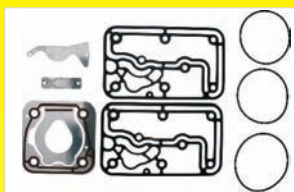
WA.5900.049

No.	Description	Truckline No.	Other Informations
1	Piston Ring Set 85 mm	WA.4200.014	2-2-4
2	Piston Ring Set 85,25 mm	WA.4200.015	2-2-4
3	Piston Ring Set 85,50 mm	WA.4200.016	2-2-4
4	Piston 85 mm	WA.4200.012	
5	Piston 85,25 mm	WA.4200.013	
6	Piston 85,50 mm	WA.4200.010	
7	Connecting Rod	WA.4750.010	
8	Crankshaft	WA.4750.008	
9	Crankshaft Flange Rear Complete	WA.4750.009	
10	Crankshaft Bearing Front	WA.4750.027	
11	Crankshaft Bearing Rear	WA.4750.028	
12	Compressor Gear	WA.4750.007	
13	Cylinder Head Complete	WA.4750.006	
14	Valve Set	WA.5900.049	
15	Gasket Set	WA.4750.052	
16	Gasket + Valve Set	WA.4750.056	

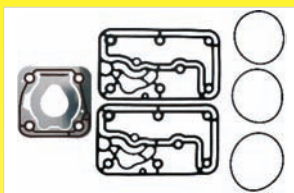
WABCO

412 352 006 0

412 352 007 0, 412 352 009 0, 412 352 010 0, 412 352 011 0, 412 352 013 0, 412 352 014 0, 412 352 015 0, 412 352 016 0



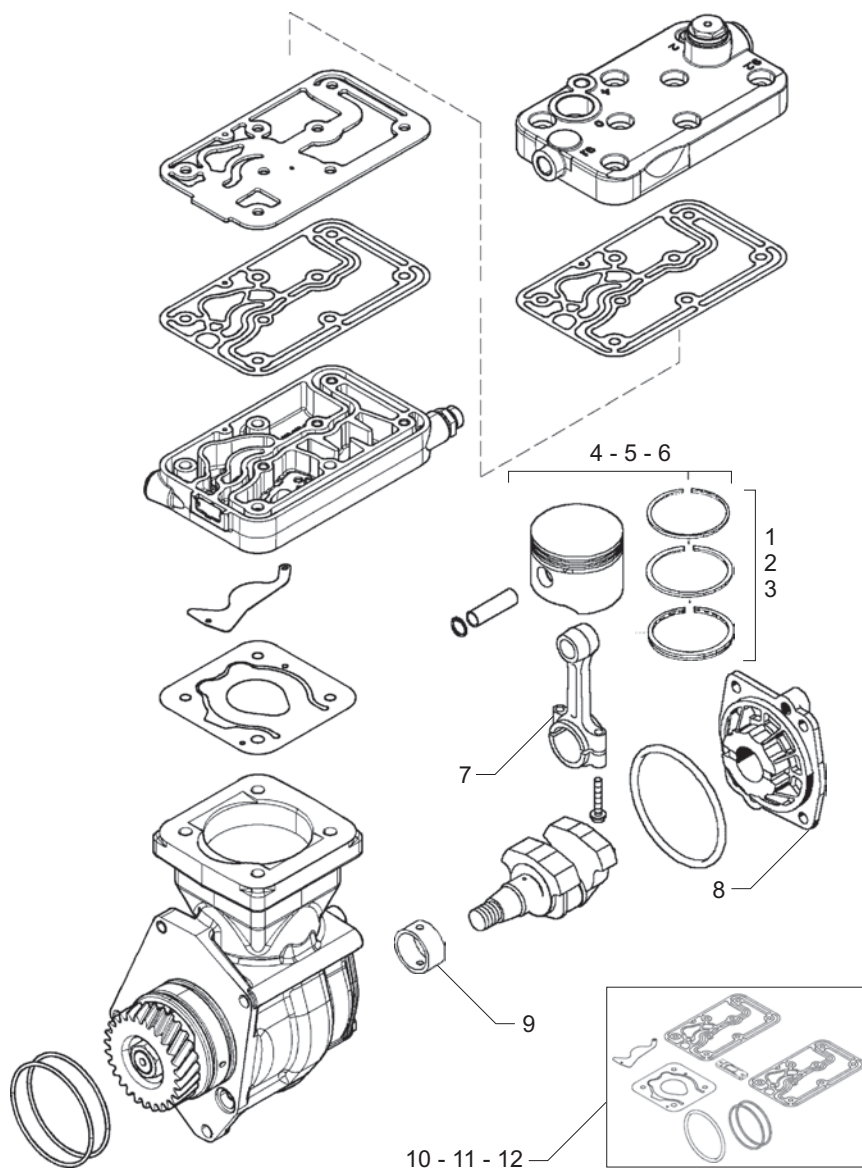
WA.4760.056



WA.4760.052



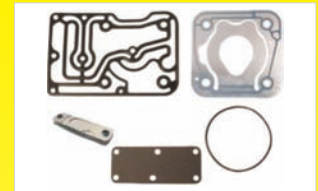
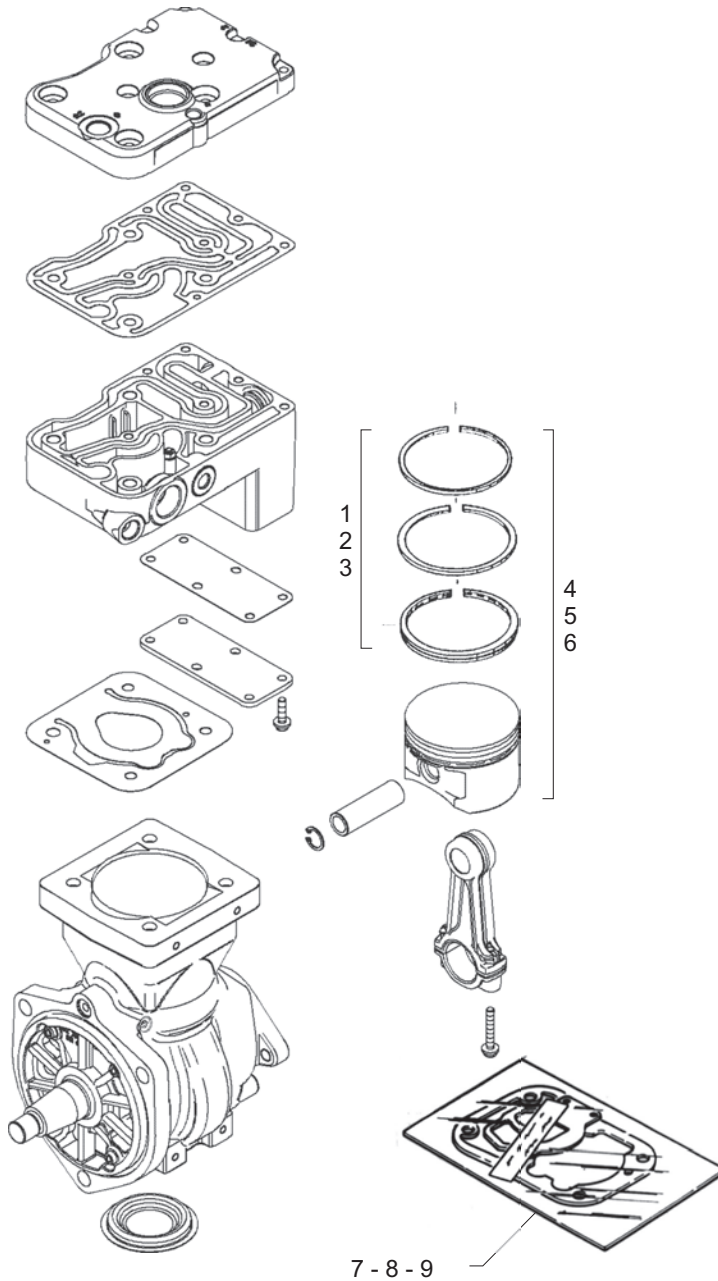
WA.5900.049



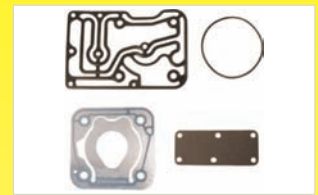
No.	Description	Truckline No.	Other Informations
1	Piston Ring Set 85 mm	WA.4200.014	2-2-4
2	Piston Ring Set 85,25 mm	WA.4200.015	2-2-4
3	Piston Ring Set 85,50 mm	WA.4200.016	2-2-4
4	Piston 85 mm	WA.4200.012	
5	Piston 85,25 mm	WA.4200.013	
6	Piston 85,50 mm	WA.4200.010	
7	Connecting Rod	WA.4750.010	
8	Crankshaft Flange Rear Complete	WA.5900.010	
9	Crankshaft Bearing Front	WA.5900.004	
10	Valve Set	WA.5900.049	
11	Gasket Set	WA.4760.052	
12	Gasket + Valve Set	WA.4760.056	

WABCO

412 352 008 0



WA.4770.056



WA.4770.052



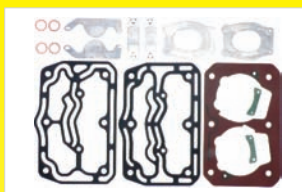
WA.5900.049

No.	Description	Truckline No.	Other Informations
1	Piston Ring Set 85 mm	WA.4200.014	2-2-4
2	Piston Ring Set 85,25 mm	WA.4200.015	2-2-4
3	Piston Ring Set 85,50 mm	WA.4200.016	2-2-4
4	Piston 85 mm	WA.4200.012	
5	Piston 85,25 mm	WA.4200.013	
6	Piston 85,50 mm	WA.4200.010	
7	Valve Set	WA.5900.049	
8	Gasket Set	WA.4770.052	
9	Gasket + Valve Set	WA.4770.056	

WABCO

412 442 000 0

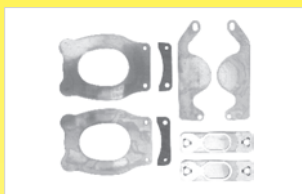
412 442 001 0, 911 504 504 0, 911 504 505 0



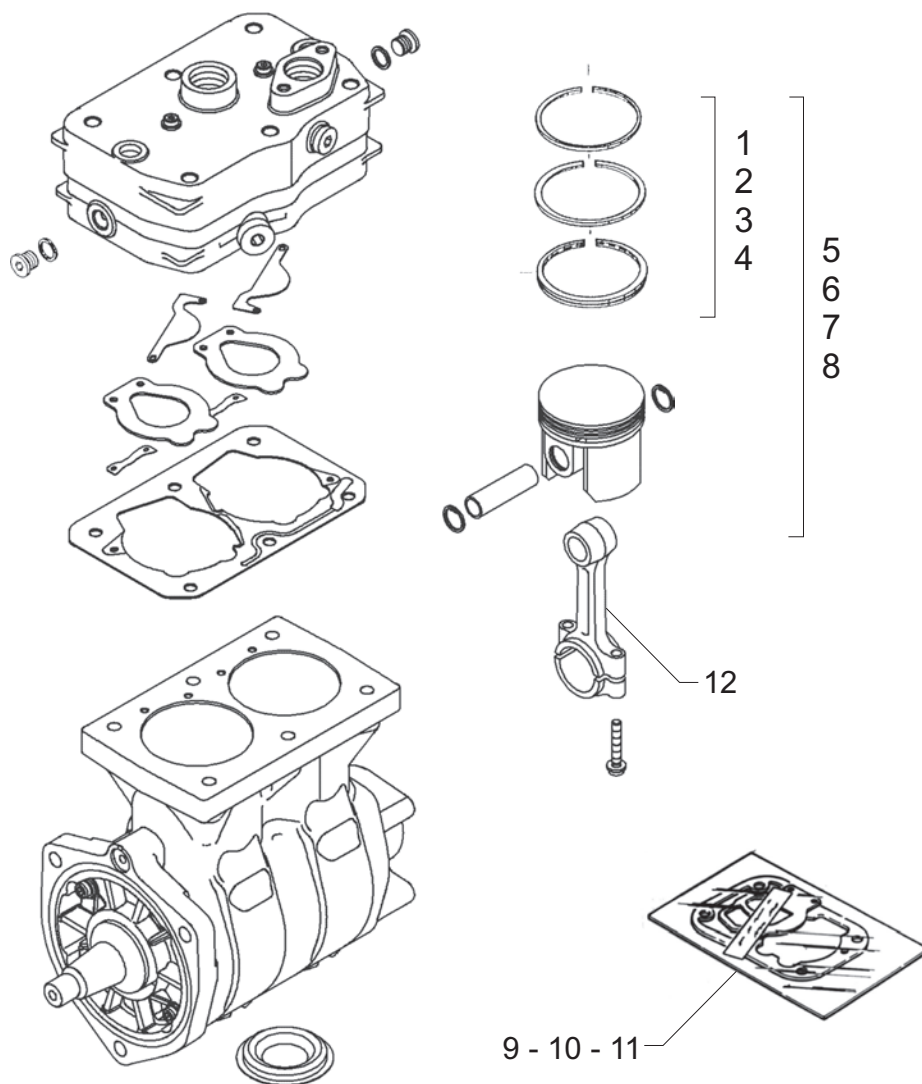
WA.7800.051



WA.7800.052



WA.5040.005

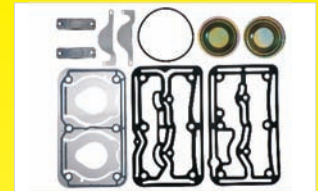
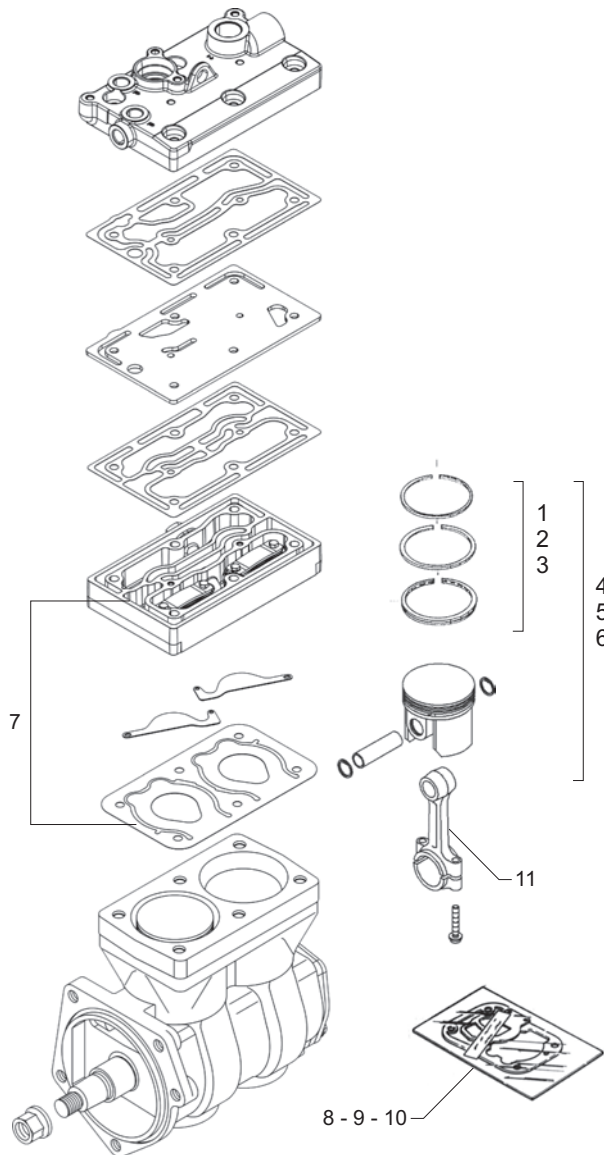


No.	Description	Truckline No.	Other Informations
1	Piston Ring Set 75 mm	WA.5000.009	2-2-4
2	Piston Ring Set 75,25 mm	WA.5000.029	2-2-4
3	Piston Ring Set 75,50 mm	WA.5000.039	2-2-4
4	Piston Ring Set 76 mm	WA.5000.049	2-2-4
5	Piston 75 mm	WA.5000.008	
6	Piston 75,25 mm	WA.5000.028	
7	Piston 75,50 mm	WA.5000.038	
8	Piston 76 mm	WA.5000.048	
9	Valve Set	WA.5040.005	
10	Gasket Set	WA.7800.052	
11	Gasket + Valve Set	WA.7800.051	
12	Connecting Rod	WA.5040.012	

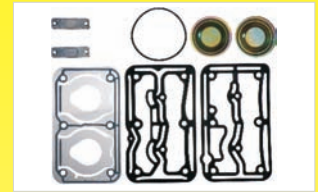
WABCO

412 704 001 0, 412 704 002 0, 412 704 004 0, 412 704 005 0, 412 704 006 0, 412 704 007 0, 412 704 008 0,
412 704 010 0, 412 704 011 0, 412 704 012 0, 412 704 013 0, 412 704 014 0, 412 704 015 0

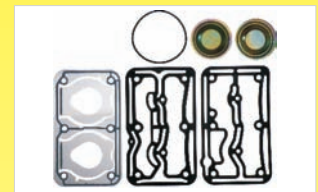
412 704 000 0



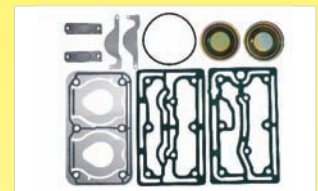
WA.4700.057



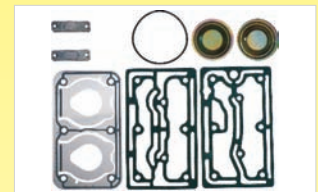
WA.4700.056



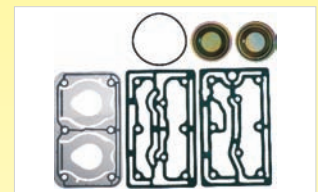
WA.4700.052



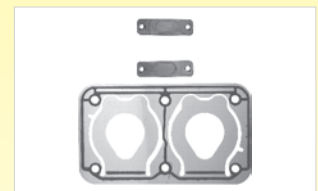
WA.4700.067



WA.4700.066



WA.4700.062



WA.4700.053

No.	Description	Truckline No.	Other Informations
1	Piston Ring Set 85 mm	WA.4200.014	2-2-4
2	Piston Ring Set 85,25 mm	WA.4200.015	2-2-4
3	Piston Ring Set 85,50 mm	WA.4200.016	2-2-4
4	Piston 85 mm	WA.4200.012	
5	Piston 85,25 mm	WA.4200.013	
6	Piston 85,50 mm	WA.4200.010	
7	Valve Set	WA.4700.053	
8	Gasket Set	WA.4700.052	for 412 704 001/4/5/8 0
8	Gasket Set	WA.4700.062	for 412 704 000/2/6/7/10/11/12/13/14/15 0
9	Gasket + Valve Set	WA.4700.056	for 412 704 001/4/5/8 0
9	Gasket + Valve Set	WA.4700.066	for 412 704 000/2/6/7/10/11/12/13/14/15 0
10	Cylinder Head Repair Kit	WA.4700.057	for 412 704 001/4/5/8 0
10	Cylinder Head Repair Kit	WA.4700.067	for 412 704 000/2/6/7/10/11/12/13/14/15 0
11	Connecting Rod	WA.4700.022	

WABCO

911 145 050 0

911 145 060 0, 911 145 500 0, 911 145 560 0, 911 145 561 0



WA.1500.081



WA.1500.082



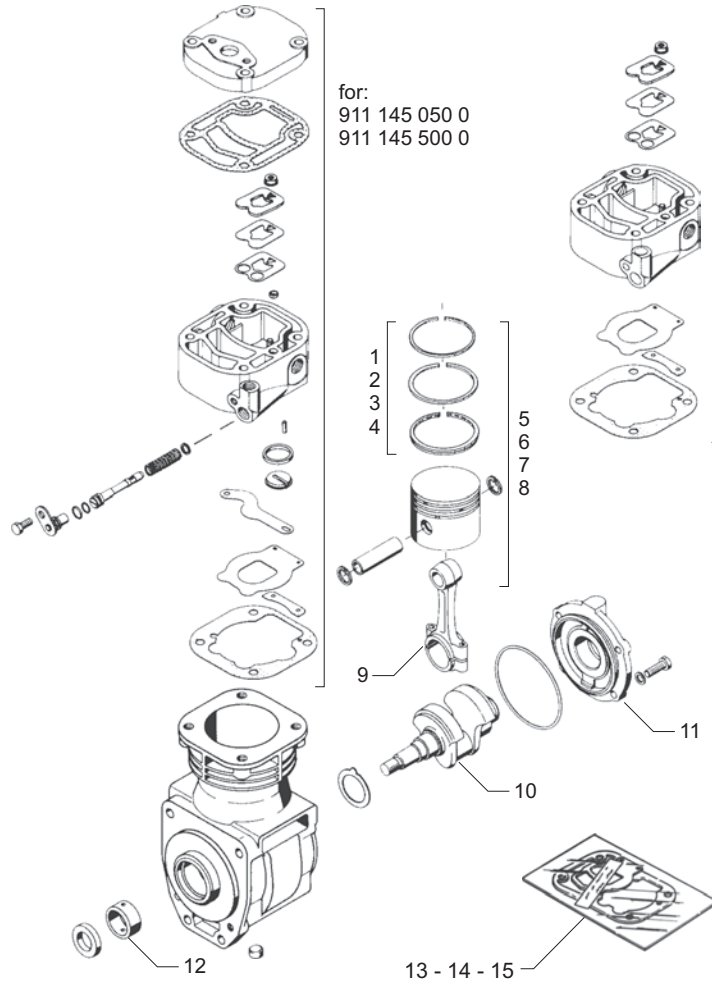
WA.1500.281



WA.1500.282



WA.1500.083



for:
911 145 050 0
911 145 500 0

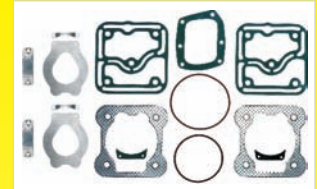
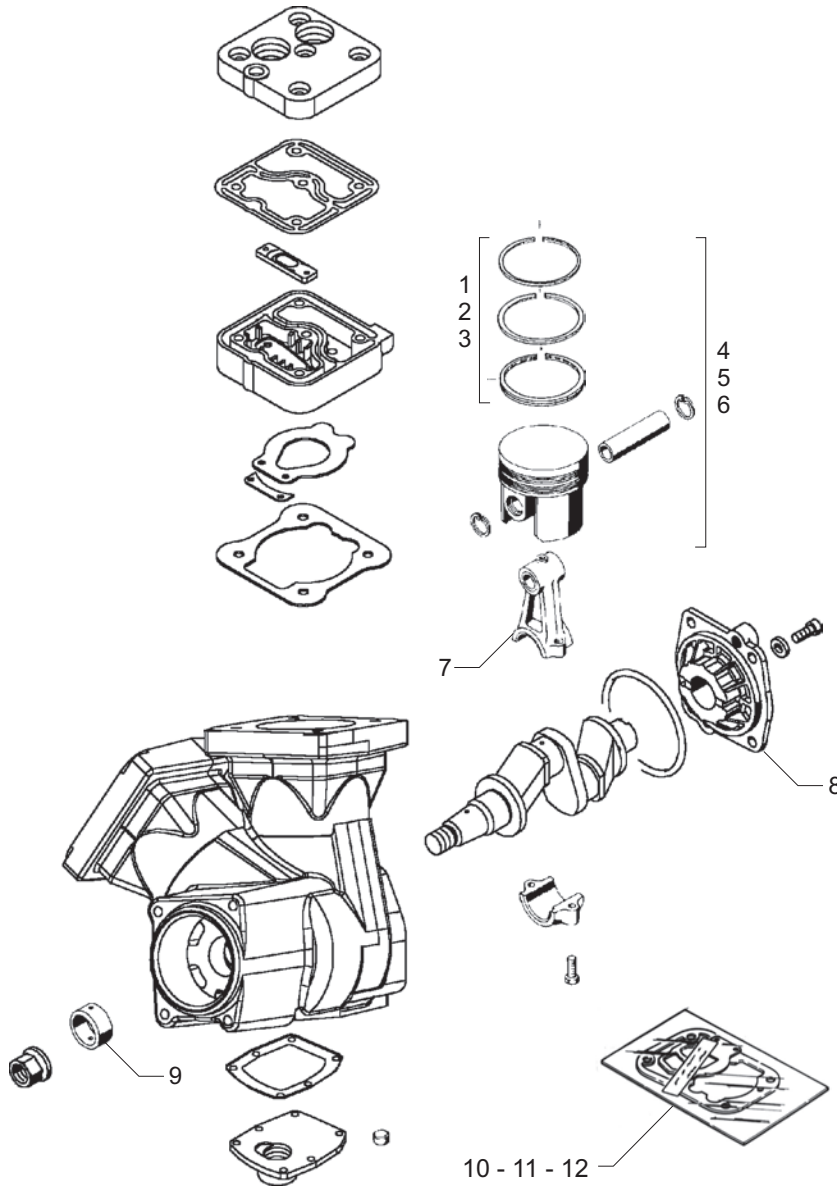
for:
911 145 060 0
911 145 560 0
911 145 561 0

No.	Description	Truckline No.	Other Informations
1	Piston Ring Set 75 mm	WA.5000.009	2-2-4
2	Piston Ring Set 75,25 mm	WA.5000.029	2-2-4
3	Piston Ring Set 75,50 mm	WA.5000.039	2-2-4
4	Piston Ring Set 76 mm	WA.5000.049	2-2-4
5	Piston 75 mm	WA.5000.008	
6	Piston 75,25 mm	WA.5000.028	
7	Piston 75,50 mm	WA.5000.038	
8	Piston 76 mm	WA.5000.048	
9	Connecting Rod	WA.1500.056	for 911 145 050/060 0
9	Connecting Rod	WA.1550.054	for 911 145 500/560/561 0
10	Crankshaft	WA.1500.054	for 911 145 050/060 0
10	Crankshaft	WA.1550.054	for 911 145 500/560/561 0
11	Crankshaft Bearing Rear	WA.1500.055	
12	Crankshaft Bearing Front	WA.1500.066	
13	Valve Set	WA.1500.083	
14	Gasket Set	WA.1500.082	for 911 145 050 / 500 0
14	Gasket Set	WA.1500.282	for 911 145 050 / 500 0
15	Gasket + Valve Set	WA.1500.081	for 911 145 060 / 560 / 561 0
15	Gasket + Valve Set	WA.1500.281	for 911 145 060 / 560 / 561 0

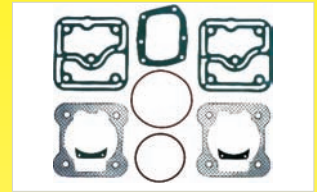
WABCO

911 514 002 0

911 514 001 0



WA.6000.051



WA.6000.052



WA.5900.054

No.	Description	Truckline No.	Other Informations
1	Piston Ring Set 85 mm	WA.4200.014	2-2-4
2	Piston Ring Set 85,25 mm	WA.4200.015	2-2-4
3	Piston Ring Set 85,50 mm	WA.4200.016	2-2-4
4	Piston 85 mm	WA.4200.012	
5	Piston 85,25 mm	WA.4200.013	
6	Piston 85,50 mm	WA.4200.010	
7	Connecting Rod	WA.6000.022	
8	Crankshaft Flange Rear	WA.5900.010	
9	Crankshaft Bearing Front	WA.5900.004	
10	Valve Set	WA.5900.054 x 2	
11	Gasket Set	WA.6000.052	
12	Gasket+Valve Set	WA.6000.051	

WABCO

911 501 000 0

911 501 056 0, 911 501 057 0, 911 501 058 0, 911 501 059 0, 911 501 062 0



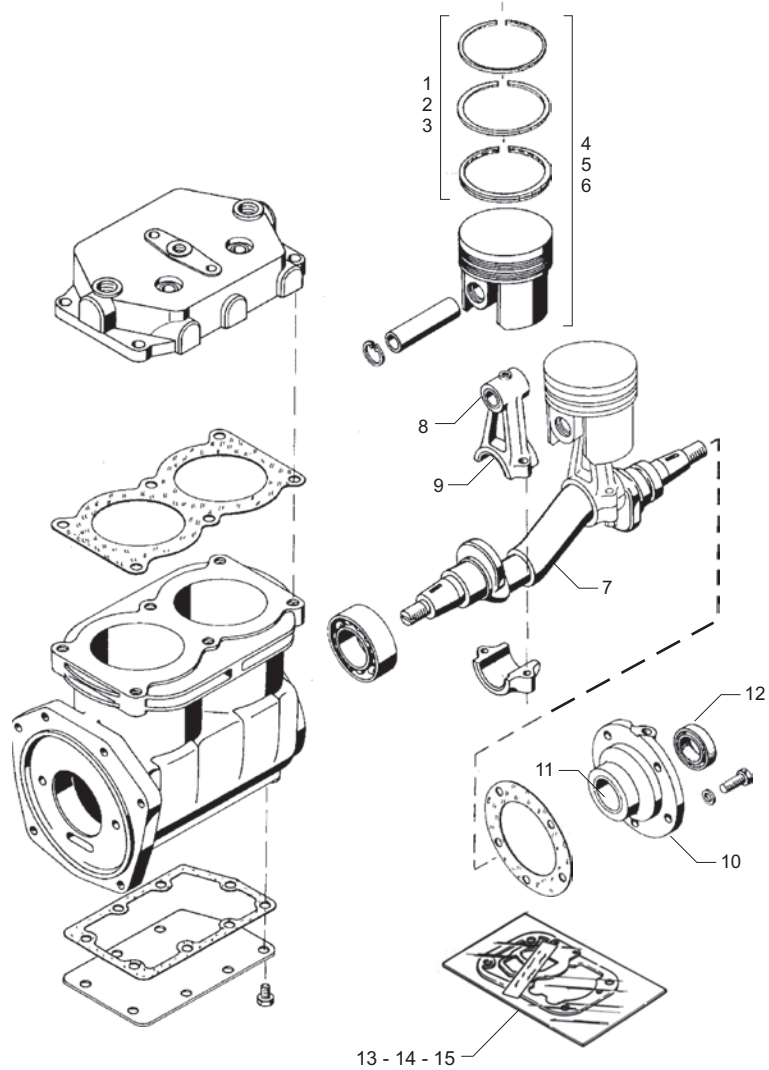
WA.5150.055



WA.5150.009



WA.5150.052

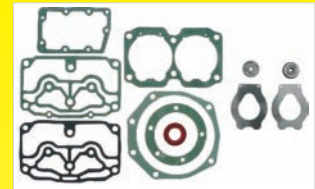
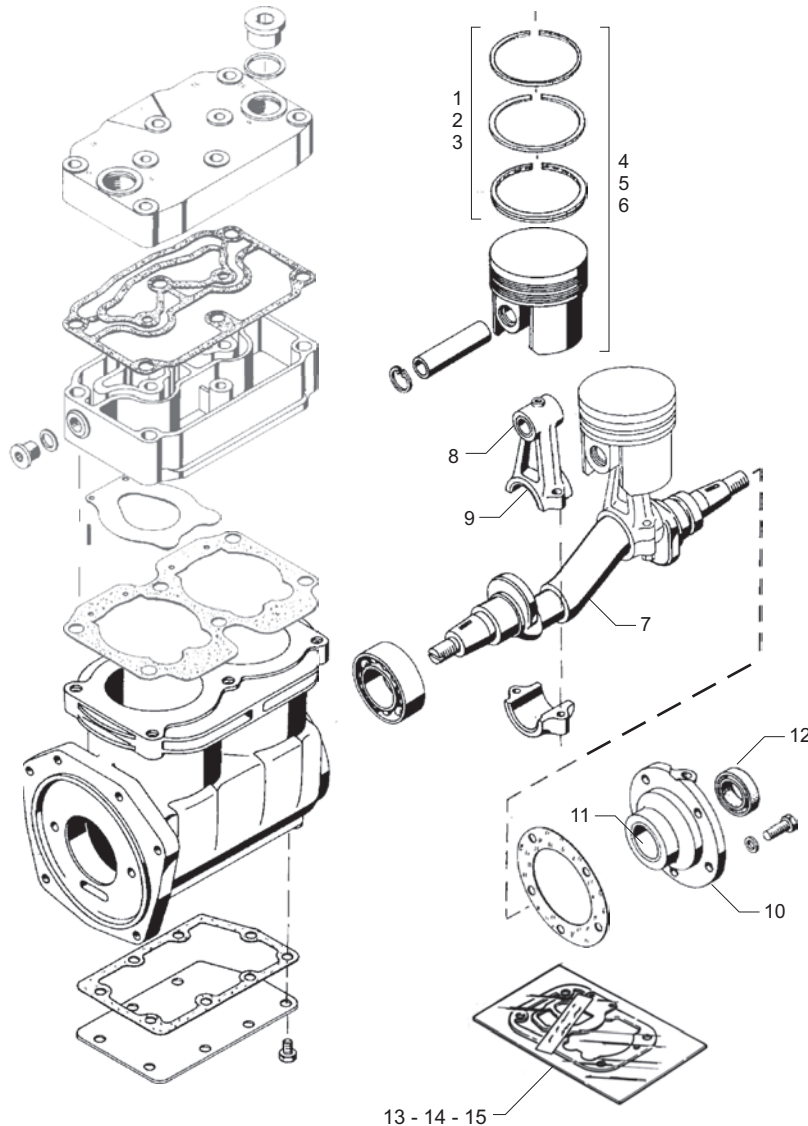


No.	Description	Truckline No.	Other Informations
1	Piston Ring Set 85 mm	WA.4200.014	2-2-4
2	Piston Ring Set 85,25 mm	WA.4200.015	2-2-4
3	Piston Ring Set 85,50 mm	WA.4200.016	2-2-4
4	Piston 85 mm	WA.4200.012	
5	Piston 85,25 mm	WA.4200.013	
6	Piston 85,50 mm	WA.4200.010	
7	Crankshaft	WA.5100.005	
8	Connecting Rod	WA.5100.011	
9	Connecting Rod Bearing	WA.5100.021	
10	Crankshaft Flange Rear Complete	WA.5100.008	
11	Crankshaft Bearing Rear	WA.4200.043	
12	Oil Seal	WA.5100.022	25,45 x 44,43 x 5,1/6,1
13	Valve Set	WA.5150.052	
14	Gasket Set	WA.5150.009	
15	Gasket + Valve Set	WA.5150.055	

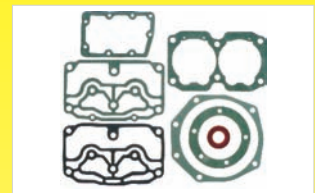
WABCO

911 501 061 0, 911 505 050 0, 911 505 051 0

911 501 060 0



WA.5100.050



WA.5100.009



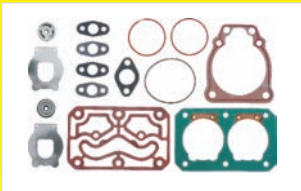
WA.5100.010

No.	Description	Truckline No.	Other Informations
1	Piston Ring Set 85 mm	WA.4200.014	2-2-4
2	Piston Ring Set 85,25 mm	WA.4200.015	2-2-4
3	Piston Ring Set 85,50 mm	WA.4200.016	2-2-4
4	Piston 85 mm	WA.4200.012	
5	Piston 85,25 mm	WA.4200.013	
6	Piston 85,50 mm	WA.4200.010	
7	Crankshaft	WA.5100.005	for 911 501 060/061 0
8	Connecting Rod	WA.5100.011	for 911 501 060/061 0
9	Connecting Rod Bearing	WA.5100.021	for 911 501 060/061 0
10	Crankshaft Flange Rear Complete	WA.5100.008	
11	Crankshaft Bearing Rear	WA.4200.043	
12	Oil Seal	WA.5100.022	25,45 x 44,43 x 5,1/6,1
13	Valve Set	WA.5100.010	
14	Gasket Set	WA.5100.009	
15	Gasket + Valve Set	WA.5100.050	

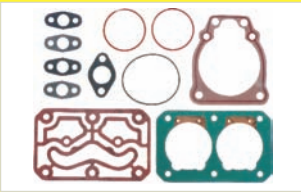
WABCO

911 503 050 0

911 503 051 0, 911 506 050 0, 911 506 050 0, 911 506 052 0, 911 506 054 0



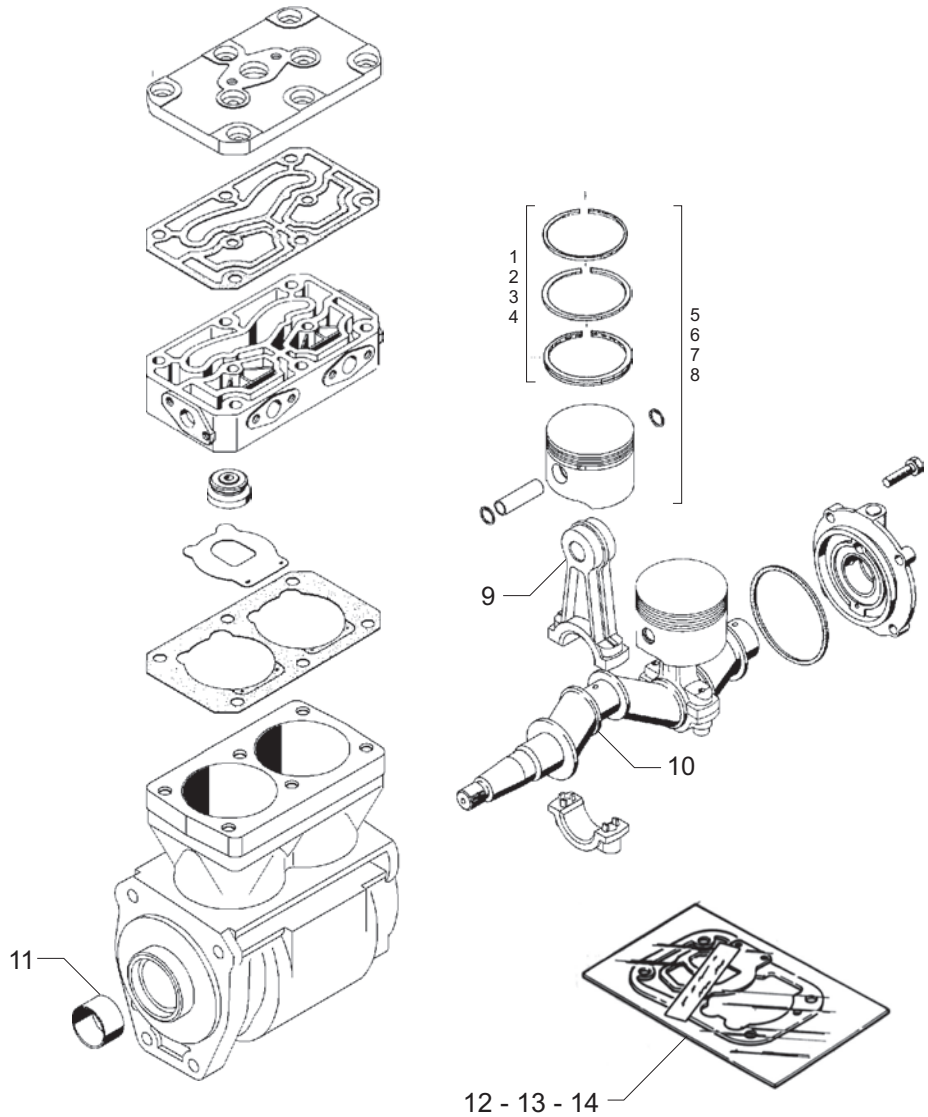
WA.1600.081



WA.1600.082



WA.5000.253

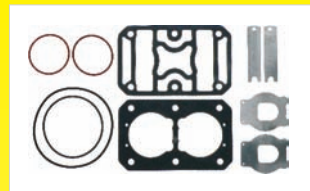
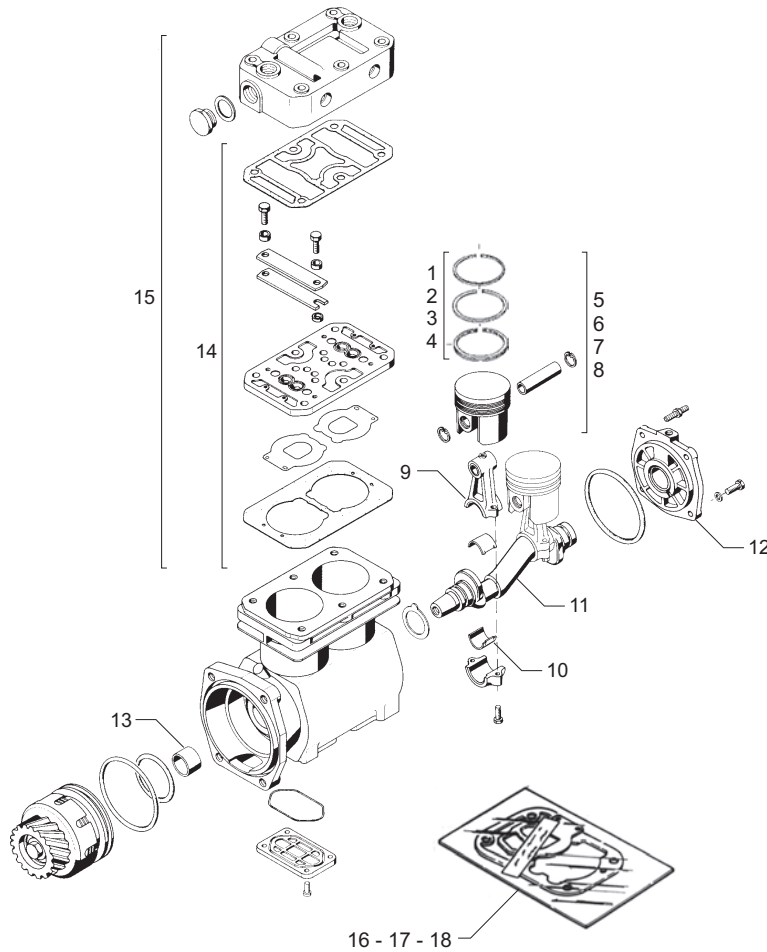


No.	Description	Truckline No.	Other Informations
1	Piston Ring Set 75 mm	WA.5000.009	2-2-4
2	Piston Ring Set 75,25 mm	WA.5000.029	2-2-4
3	Piston Ring Set 75,50 mm	WA.5000.039	2-2-4
4	Piston Ring Set 76 mm	WA.5000.049	2-2-4
5	Piston 75 mm	WA.5000.008	
6	Piston 75,25 mm	WA.5000.028	
7	Piston 75,50 mm	WA.5000.038	
8	Piston 76 mm	WA.5000.048	
9	Connecting Rod	WA.1550.056	for 911 506 050/054 0
10	Crankshaft	WA.1600.054	for 911 506 050/054 0
11	Crankshaft Bearing Front	WA.1500.066	
12	Valve Set	WA.5000.253	
13	Gasket Set	WA.1600.082	
14	Gasket + Valve Set	WA.1600.081	

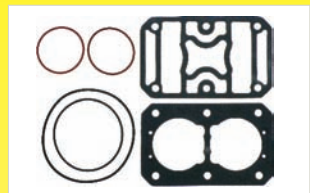
WABCO

911 504 051 0, 911 504 052 0

911 504 050 0



WA.5000.052



WA.5000.056



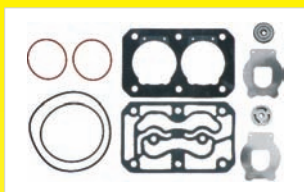
WA.5000.053

No.	Description	Truckline No.	Other Informations
1	Piston Ring Set 75 mm	WA.5000.009	2-2-4
2	Piston Ring Set 75,25 mm	WA.5000.029	2-2-4
3	Piston Ring Set 75,50 mm	WA.5000.039	2-2-4
4	Piston Ring Set 76 mm	WA.5000.049	2-2-4
5	Piston 75 mm	WA.5000.008	
6	Piston 75,25 mm	WA.5000.028	
7	Piston 75,50 mm	WA.5000.038	
8	Piston 76 mm	WA.5000.048	
9	Connecting Rod	WA.5000.006	
10	Connecting Rod Bearing	WA.5600.018	
11	Crankshaft	WA.5000.004	for 911 504 051/052 0
12	Crankshaft Flange Rear Complete	WA.5000.005	
13	Crankshaft Bearing Front	WA.5000.017	
14	Valve Plate Complete	WA.5000.050	
15	Cylinder Head Complete	WA.5000.055	
16	Valve Set	WA.5000.053	
17	Gasket Set	WA.5000.056	
18	Gasket + Valve Set	WA.5000.052	
19	Gasket+Valve+Bearings Set	WA.5000.051	

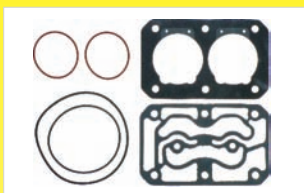
WABCO

911 504 056 0

911 504 059 0, 911 504 060 0



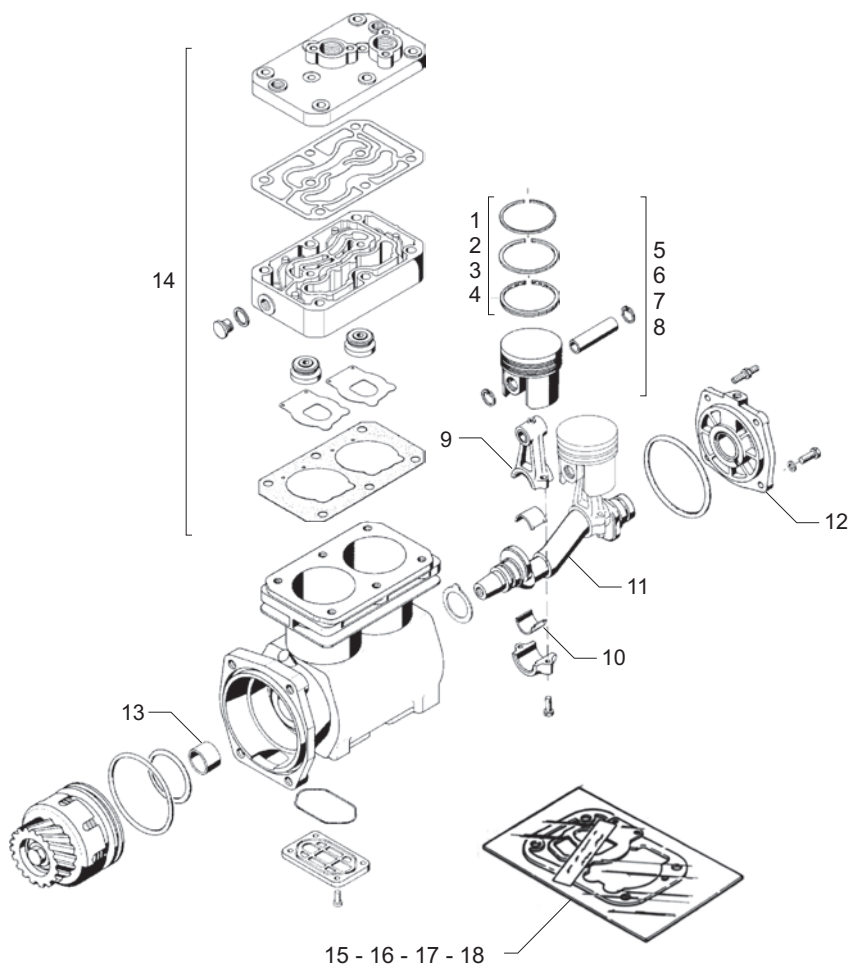
WA.5000.255



WA.5000.252



WA.5000.253

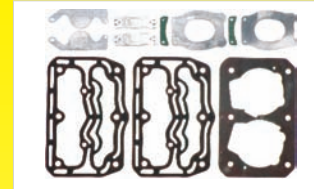
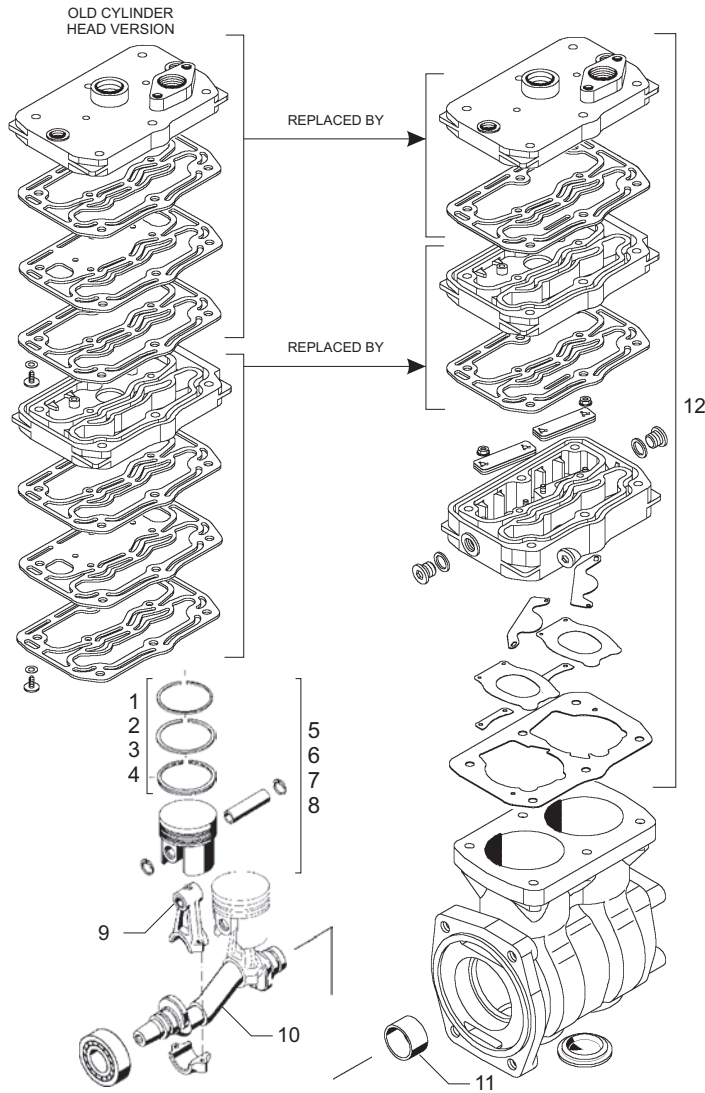


No.	Description	Truckline No.	Other Informations
1	Piston Ring Set 75 mm	WA.5000.009	2-2-4
2	Piston Ring Set 75,25 mm	WA.5000.029	2-2-4
3	Piston Ring Set 75,50 mm	WA.5000.039	2-2-4
4	Piston Ring Set 76 mm	WA.5000.049	2-2-4
5	Piston 75 mm	WA.5000.008	
6	Piston 75,25 mm	WA.5000.028	
7	Piston 75,50 mm	WA.5000.038	
8	Piston 76 mm	WA.5000.048	
9	Connecting Rod	WA.5000.006	for 911 504 056 0
10	Connecting Rod Bearing	WA.5600.018	
11	Crankshaft	WA.5000.004	for 911 504 056 0
12	Crankshaft Flange Rear Complete	WA.5000.005	
13	Crankshaft Bearing Front	WA.5000.017	
14	Cylinder Head Complete	WA.5000.250	
15	Valve Set	WA.5000.253	
16	Gasket Set	WA.5000.252	
17	Gasket + Valve Set	WA.5000.255	
18	Gasket+Valve+Bearings Set	WA.5000.256	

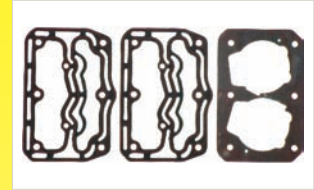
WABCO

911 504 501 0, 911 504 503 0

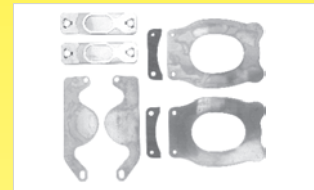
911 504 500 0



WA.5040.017



WA.5040.016



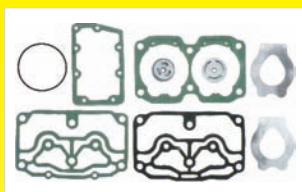
WA.5040.005

No.	Description	Truckline No.	Other Informations
1	Piston Ring Set 75 mm	WA.5000.009	2-2-4
2	Piston Ring Set 75,25 mm	WA.5000.029	2-2-4
3	Piston Ring Set 75,50 mm	WA.5000.039	2-2-4
4	Piston Ring Set 76 mm	WA.5000.049	2-2-4
5	Piston 75 mm	WA.5000.008	
6	Piston 75,25 mm	WA.5000.028	
7	Piston 75,50 mm	WA.5000.038	
8	Piston 76 mm	WA.5000.048	
9	Connecting Rod	WA.5040.012	
10	Crankshaft	WA.5040.013	
11	Crankshaft Bearing	WA.5040.014	
12	Cylinder Head Complete	WA.5040.001	
13	Valve Set	WA.5040.005	
14	Gasket Set	WA.5040.016	
15	Gasket + Valve Set	WA.5040.017	

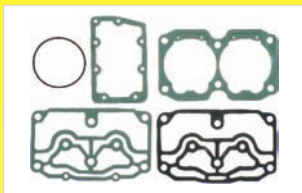
WABCO

911 505 150 0

911 505 151 0, 911 505 154 0



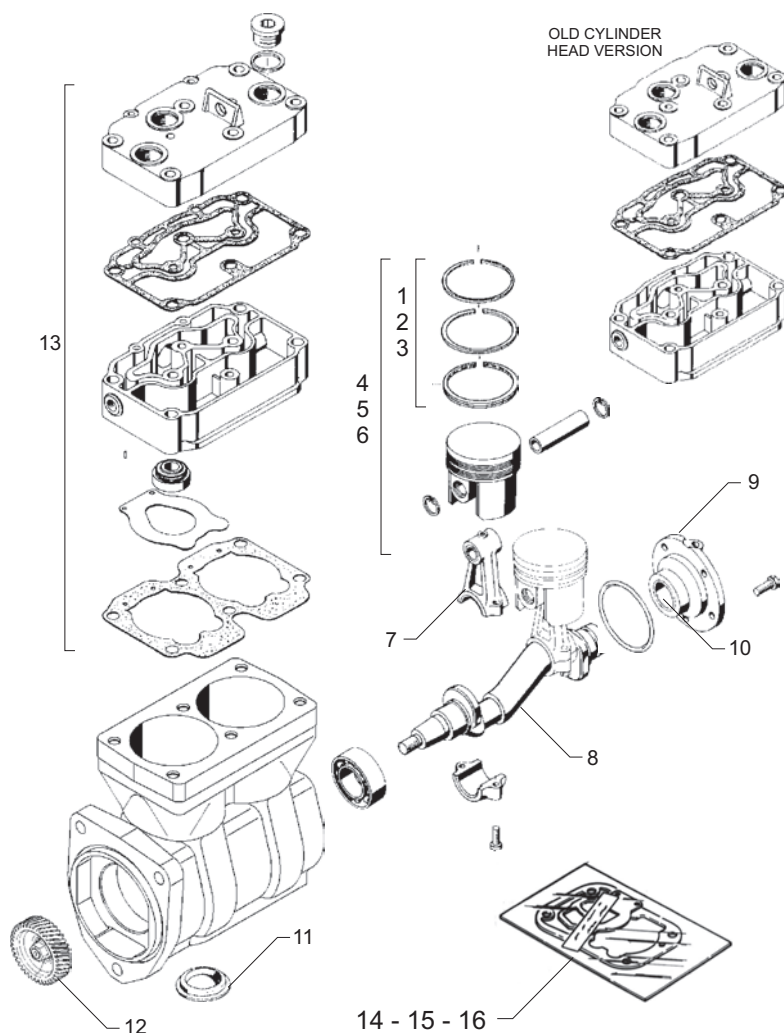
WA.4200.050



WA.4200.009



WA.4200.052

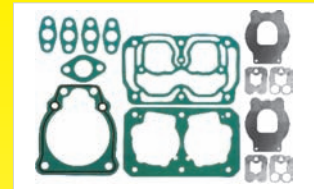
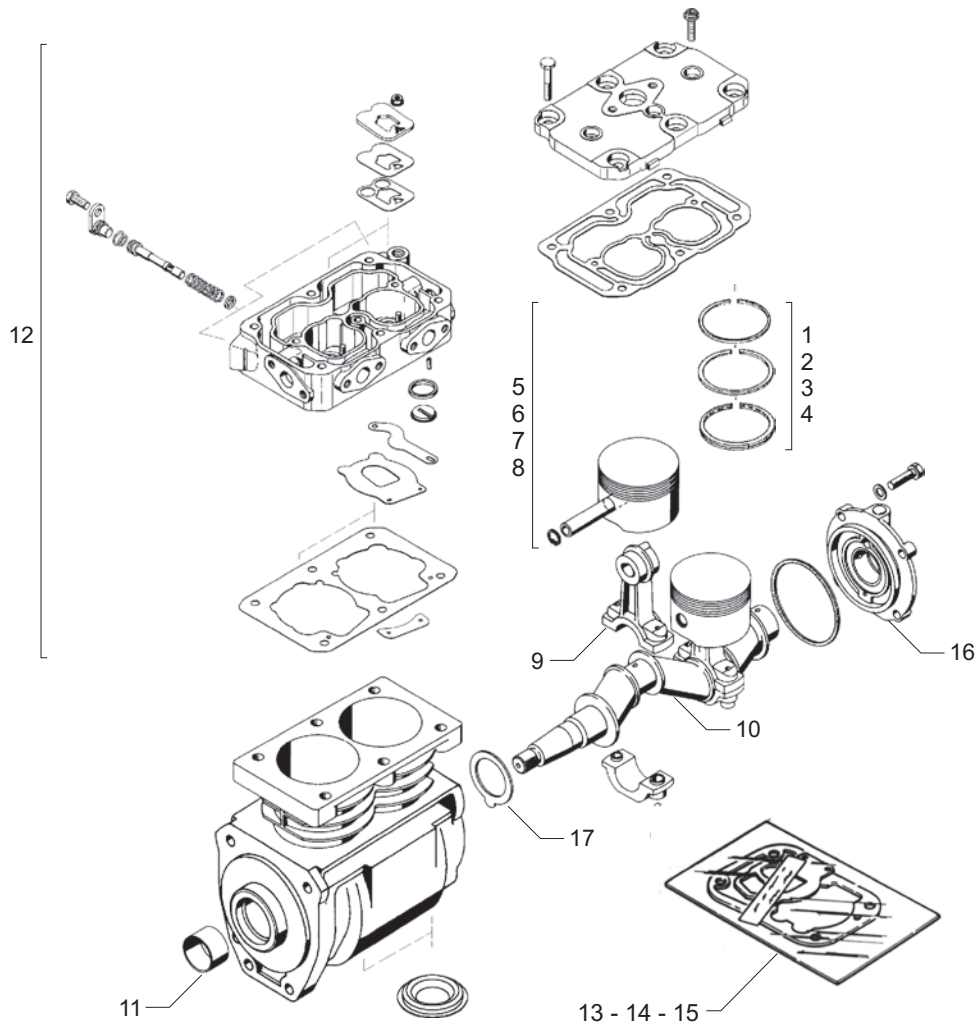


No.	Description	Truckline No.	Other Informations
1	Piston Ring Set 85 mm	WA.4200.014	2-2-4
2	Piston Ring Set 85,25 mm	WA.4200.015	2-2-4
3	Piston Ring Set 85,50 mm	WA.4200.016	2-2-4
4	Piston 85 mm	WA.4200.012	
5	Piston 85,25 mm	WA.4200.013	
6	Piston 85,50 mm	WA.4200.010	
7	Connecting Rod	WA.4200.022	
8	Crankshaft	WA.4200.005	
9	Crankshaft Flange Rear Complete	WA.4200.008	
10	Crankshaft Bearing Rear	WA.4200.043	
11	Crankcase Cover	WA.4200.098	
12	Compressor Gear	WA.4200.105	
13	Cylinder Head Complete	WA.4200.006	New Model
14	Valve Set	WA.4200.052	
15	Gasket Set	WA.4200.009	
16	Gasket + Valve Set	WA.4200.050	

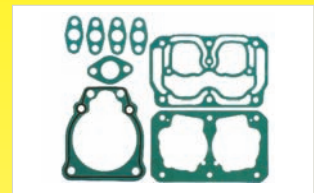
WABCO

911 506 501 0, 911 506 503 0, 911 506 504 0, 911 506 505 0

911 506 500 0



WA.1600.281



WA.1600.282



WA.1500.083

No.	Description	Truckline No.	Other Informations
1	Piston Ring Set 75 mm	WA.5000.009	2-2-4
2	Piston Ring Set 75,25 mm	WA.5000.029	2-2-4
3	Piston Ring Set 75,50 mm	WA.5000.039	2-2-4
4	Piston Ring Set 76 mm	WA.5000.049	2-2-4
5	Piston 75 mm	WA.5000.008	
6	Piston 75,25 mm	WA.5000.028	
7	Piston 75,50 mm	WA.5000.038	
8	Piston 76 mm	WA.5000.048	
9	Connecting Rod	WA.1550.056	
10	Crankshaft	WA.1600.054	
11	Crankshaft Bearing	WA.1500.066	
12	Cylinder Head Complete	WA.1600.185	
13	Valve Set	WA.1500.083 x 2	
14	Gasket Set	WA.1600.282	
15	Gasket + Valve Set	WA.1600.281	
16	Crankshaft Flange Rear Complete	WA.1500.055	
17	Crankshaft Thrust Ring	WA.1600.061	

WABCO

911 553 000 0

911 553 001 0



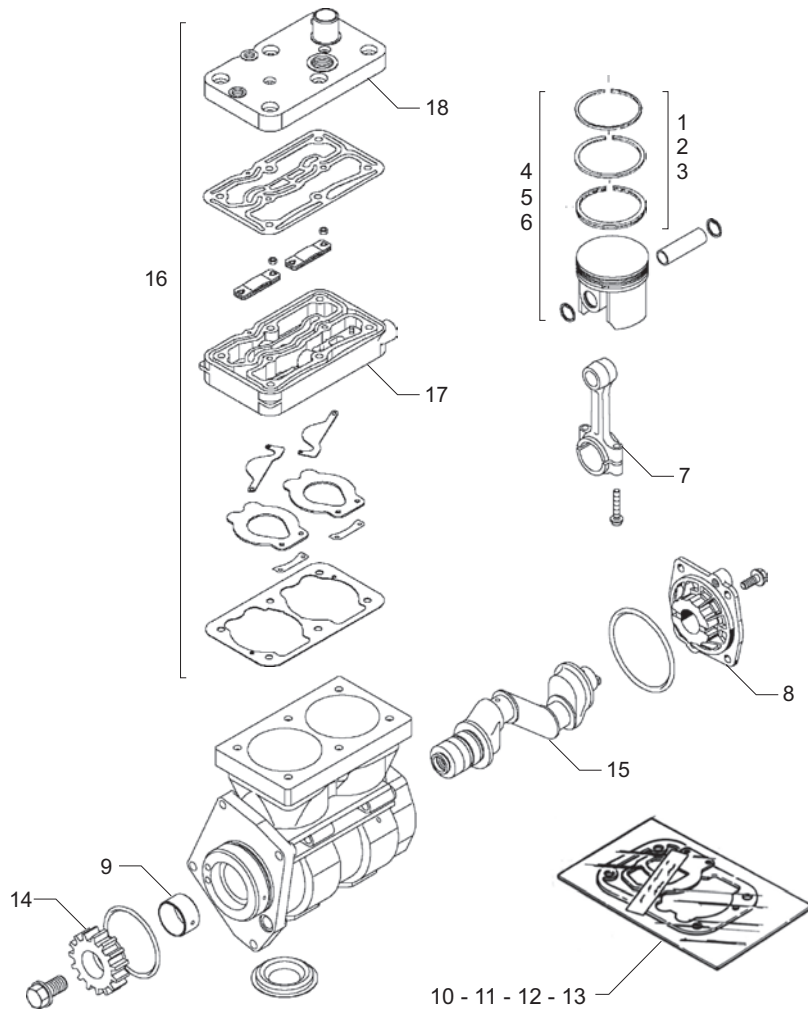
WA.6200.004



WA.6200.009



WA.5900.054

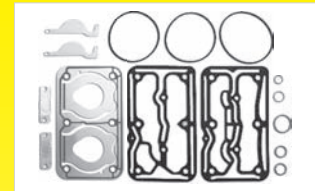
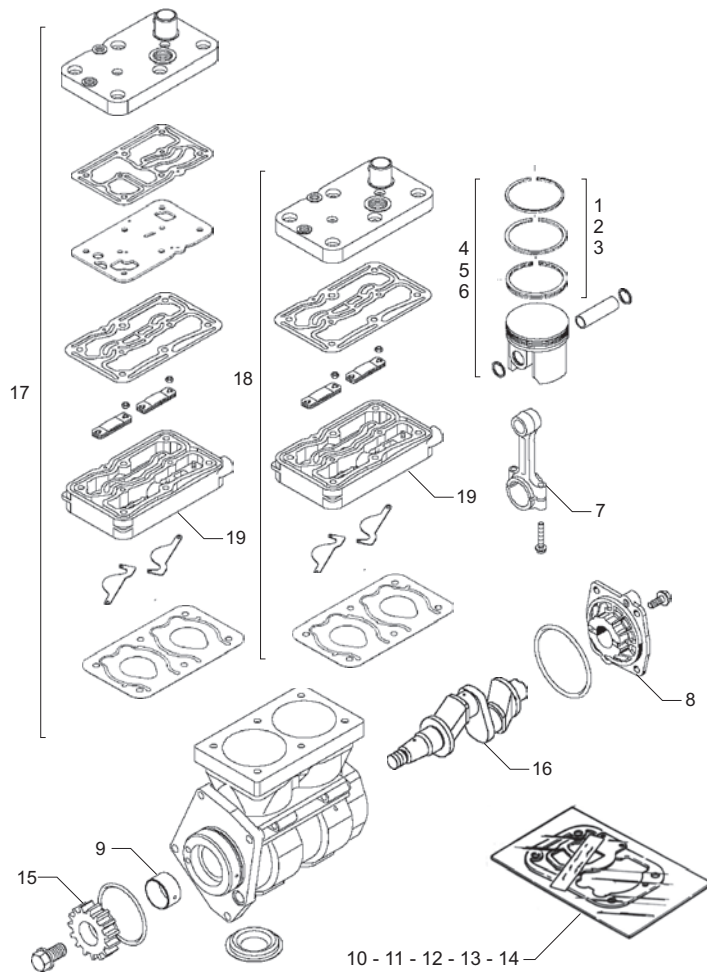


No.	Description	Truckline No.	Other Informations
1	Piston Ring Set 85 mm	WA.4200.014	2-2-4
2	Piston Ring Set 85,25 mm	WA.4200.015	2-2-4
3	Piston Ring Set 85,50 mm	WA.4200.016	2-2-4
4	Piston 85 mm	WA.4200.012	
5	Piston 85,25 mm	WA.4200.013	
6	Piston 85,50 mm	WA.4200.010	
7	Connecting Rod	WA.4750.010	
8	Crankshaft Flange Rear	WA.5900.010	
9	Crankshaft Bearing Front	WA.6200.007	only for 911 553 001 0
10	Valve Set	WA.5900.054 x 2	
11	Gasket Set	WA.6200.009	
12	Gasket+Valve Set	WA.6200.004	
13	Repair Kit	WA.6200.005	
14	Compressor Gear	WA.6200.008	
15	Crankshaft	WA.6200.006	
16	Cylinder Head Complete	WA.6200.003	
17	Valve Plate Complete	WA.6200.002	
18	Cylinder Up Head	WA.6200.001	

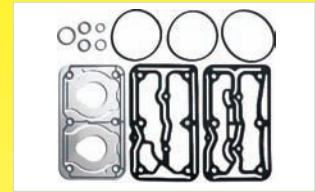
WABCO

911 553 003 0, 911 553 100 0, 911 553 101 0, 911 553 103 0, 911 553 104 0,
911 553 105 0, 911 553 200 0, 911 553 202 0

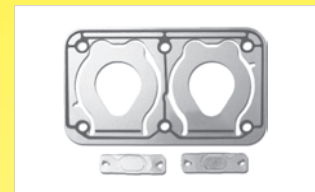
911 553 002 0



WA.6200.056



WA.6200.055



WA.4700.053

No.	Description	Truckline No.	Other Informations
1	Piston Ring Set 85 mm	WA.4200.014	2-2-4
2	Piston Ring Set 85,25 mm	WA.4200.015	2-2-4
3	Piston Ring Set 85,50 mm	WA.4200.016	2-2-4
4	Piston 85 mm	WA.4200.012	
5	Piston 85,25 mm	WA.4200.013	
6	Piston 85,50 mm	WA.4200.010	
7	Connecting Rod	WA.4750.010	
8	Crankshaft Flange Rear	WA.5900.010	
9	Crankshaft Bearing Front	WA.6200.007	
10	Valve Set	WA.4700.053	
11	Gasket Set	WA.6200.055	
12	Gasket+Valve Set	WA.6200.056	
13	Gasket+Valve+Pate Set	WA.6200.057	
14	Repair Kit	WA.6200.005	
15	Compressor Gear	WA.6200.018	
16	Crankshaft	WA.4700.020	
17	Cylinder Head Complete	WA.6200.013	for 911 553 103 0
18	Cylinder Head Complete	WA.6200.014	for 911 553 003 0
19	Valve Plate Complete	WA.6200.002	

MAN - MERC.

51.54000.7074

51.54000.7058; 51.54000.7073; 407.130.0515; 407.130.0115; 407.130.0615; 447.130.0515; 447.130.1815



MN.3000.020



MR.2000.055



MN.3000.026



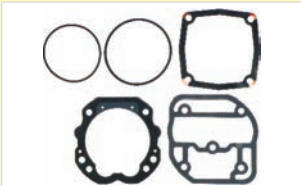
MR.2000.059



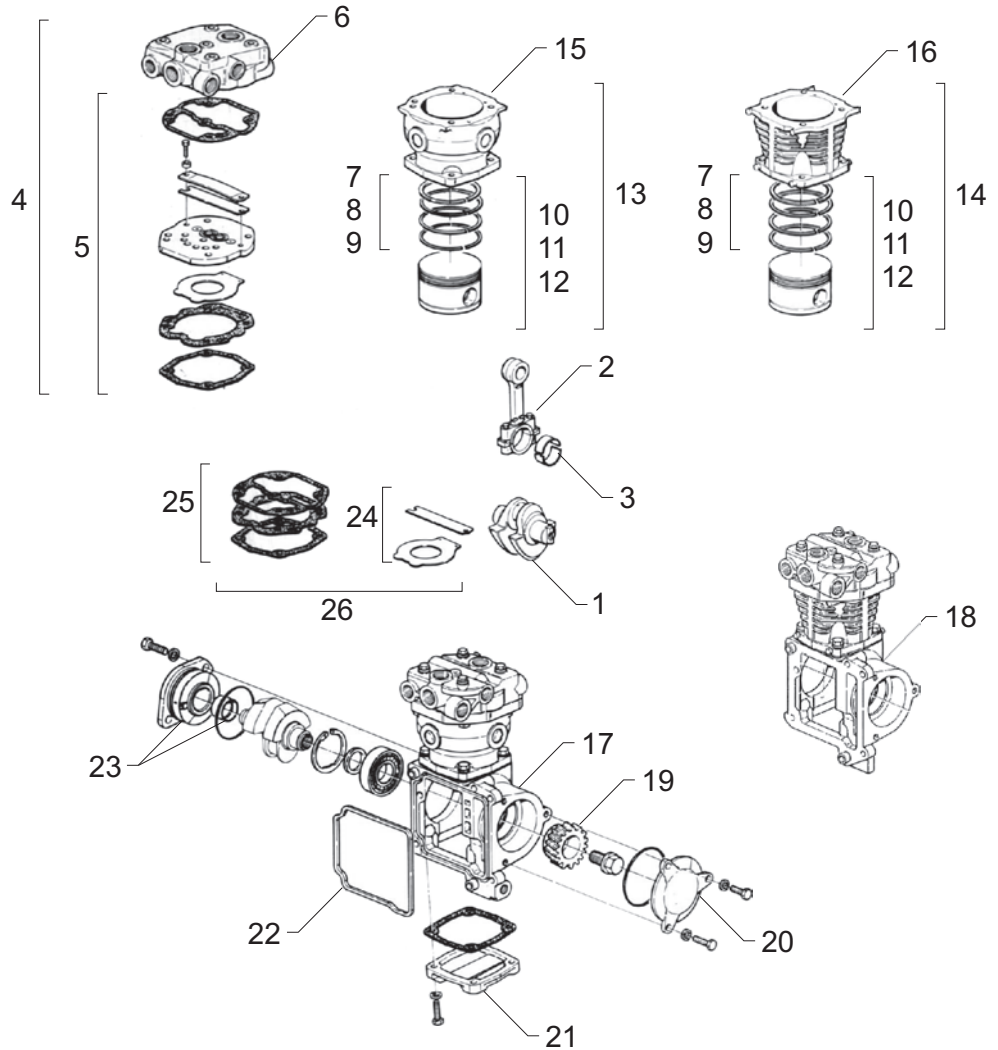
MR.2000.058



MN.3000.132



MN.3000.010



No.	Description	Truckline No.	Other Informations
1	Crankshaft	MN.2000.004	
2	Connecting Rod	MN.2000.026	without Bearings
3	Connecting Rod Bearing	MN.2000.006	
4	Cylinder Head Complete	MN.3000.002	411 033 806 2
4	Cylinder Head Complete	MR.2000.017	000.130.2619
4	Cylinder Head Complete	MN.3000.009	ZB4275
4	Cylinder Head Complete	MR.2000.007	407.131.0719
4	Cylinder Head Complete	MR.2000.042	407.130.0519

MAN - MERC.

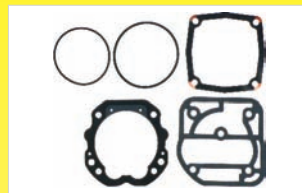
51.54000.7058; 51.54000.7073; 407.130.0515; 407.130.0115; 407.130.0615; 447.130.0515; 447.130.1815

51.54000.7074

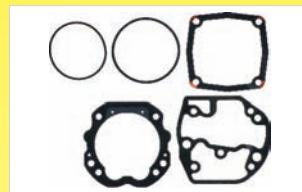
No.	Description	Truckline No.	Other Informations
5	Valve Plate Complete	MN.3000.008	411 033 806 2
5	Valve Plate Complete	MR.2000.016	000.130.2619
5	Valve Plate Complete	MN.3000.007	ZB4275
5	Valve Plate Complete	MR.2000.118	407.131.0719
5	Valve Plate Complete	MR.2000.018	407.130.0519
6	Cylinder Up Head	MN.3000.001	411 033 806 2
6	Cylinder Up Head	MR.2000.116	000.130.2619
6	Cylinder Up Head	MN.3000.107	ZB4275
6	Cylinder Up Head	MR.2000.008	407.131.0719/519
7	Piston Ring Set 90 mm (3x)	MN.2000.019	2,5 - 2,5 - 4
7	Piston Ring Set 90 mm (4x)	MN.2000.119	2,5 - 2,5 - 2,5 - 4
8	Piston Ring Set 90,50 mm (3x)	MN.2000.020	2,5 - 2,5 - 4
8	Piston Ring Set 90,50 mm (4x)	MN.2000.120	2,5 - 2,5 - 2,5 - 4
9	Piston Ring Set 91 mm (3x)	MN.2000.021	2,5 - 2,5 - 4
9	Piston Ring Set 91 mm (4x)	MN.2000.121	2,5 - 2,5 - 2,5 - 4
10	Piston 90 mm (3x)	MN.2000.023	2,5 - 2,5 - 4
10	Piston 90 mm (4x)	MN.2000.123	2,5 - 2,5 - 2,5 - 4
11	Piston 90,50 mm (3x)	MN.2000.024	2,5 - 2,5 - 4
11	Piston 90,50 mm (4x)	MN.2000.124	2,5 - 2,5 - 2,5 - 4
12	Piston 91 mm (3x)	MN.2000.025	2,5 - 2,5 - 4
12	Piston 91 mm (4x)	MN.2000.125	2,5 - 2,5 - 2,5 - 4
13	Cylinder Liner + Piston (Water)	MN.2000.030	
14	Cylinder Liner + Piston (Air)	MN.2000.029	
15	Cylinder Liner (Water)	MN.2000.130	
16	Cylinder Liner (Air)	MN.2000.129	
17	Crankcase	MN.3000.003	with Gasket Groove
18	Crankcase	MN.3000.004	without Gasket Groove
19	Compressor Gear	MR.2000.066	
20	Crankcase Cover Front	MR.2000.067	
21	Crankcase Cover Bottom	MR.2000.068	
22	Crankcase Gasket	MN.2000.074	
23	Crankshaft Flange Rear Complete	MN.2000.069	
24	Valve Set	MR.2000.031	Model WABCO, BOSCH i MERC.
24	Valve Set	KR.5400.013	Model KNORR
24	Valve Set	MR.2000.032	Model MERC. 407.131.0719
25	Gasket Set	MN.3000.010	411 033 806 2
25	Gasket Set	MR.2000.028	000.130.2619
25	Gasket Set	MN.3000.025	ZB4275
25	Gasket Set	MR.2000.045	407.131.0719/519
25	Gasket Set	MN.3000.133	BOSCH 0 480 099 004
26	Gasket + Valve Set	MN.3000.020	411 033 806 2
26	Gasket + Valve Set	MR.2000.055	000.130.2619
26	Gasket + Valve Set	MN.3000.026	ZB4275
26	Gasket + Valve Set	MR.2000.059	407.131.0719
26	Gasket + Valve Set	MR.2000.058	407.130.0519
26	Gasket + Valve Set	MN.3000.132	BOSCH 0 480 099 004



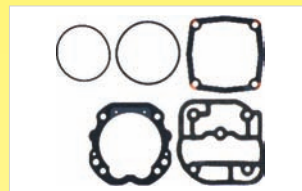
MR.2000.028



MN.3000.025



MR.2000.045



MN.3000.133



MR.2000.031



KR.5400.013



MR.2000.032

MAN - MERC.

51.54000.7055

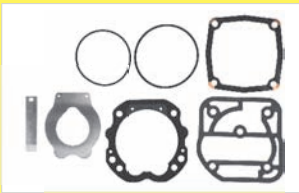
51.54000.7064



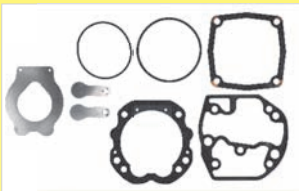
MN.3000.020



MR.2000.055



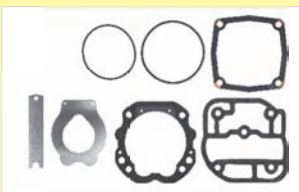
MN.3000.026



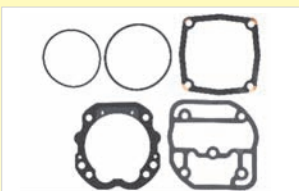
MR.2000.059



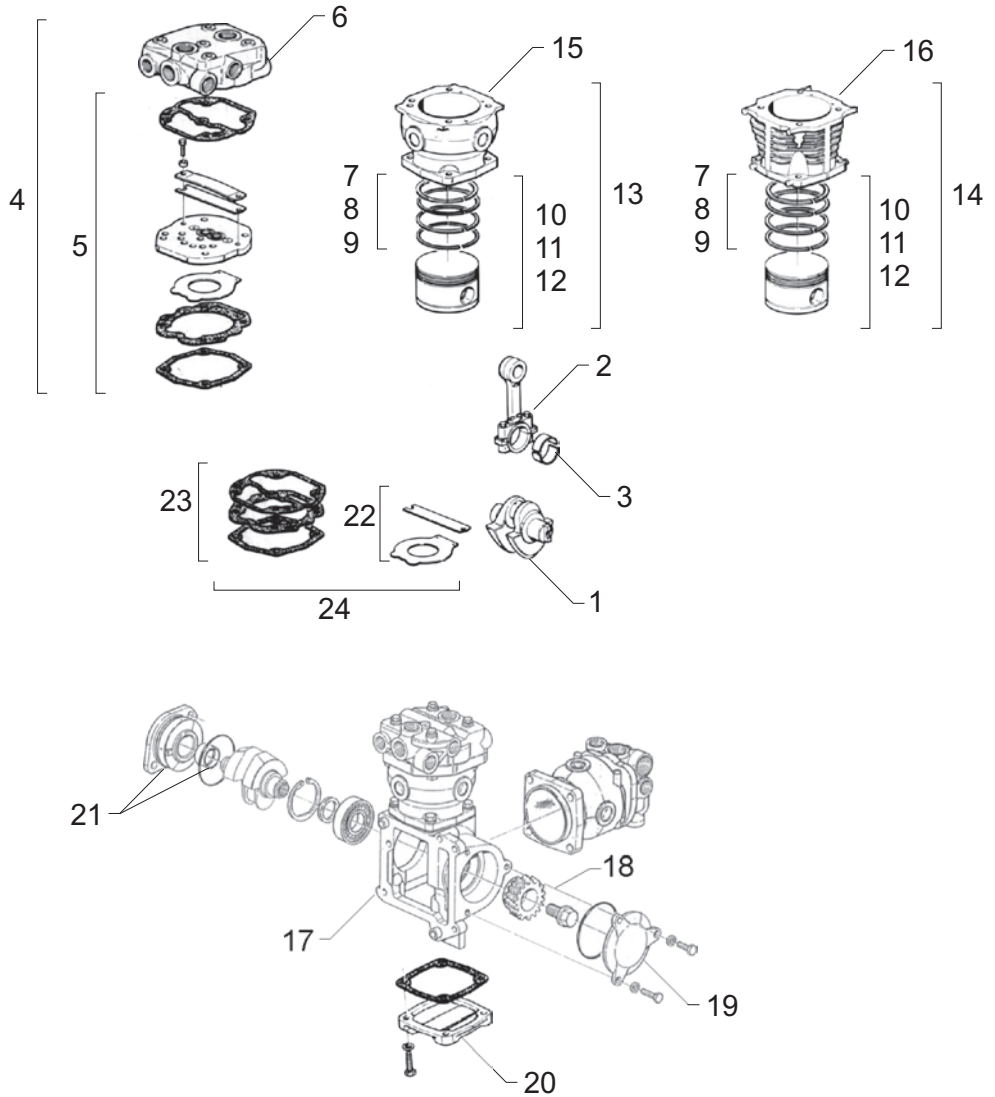
MR.2000.058



MN.3000.132



MN.3000.010



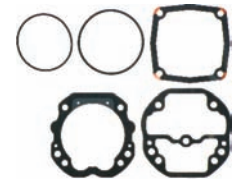
No.	Description	Truckline No.	Other Informations
1	Crankshaft	MN.2000.005	for two Cylinder "V" Version
1	Crankshaft	MN.2000.008	for one Cylinder Version
2	Connecting Rod	MN.2000.027	for two Cylinder "V" Version
2	Connecting Rod	MN.2000.026	for one Cylinder Version
3	Connecting Rod Bearing	MN.2000.007	for two Cylinder "V" Version
3	Connecting Rod Bearing	MN.2000.006	for one Cylinder Version
4	Cylinder Head Complete	MN.3000.002	411 033 806 2
4	Cylinder Head Complete	MR.2000.017	000.130.2619
4	Cylinder Head Complete	MN.3000.009	ZB4275
4	Cylinder Head Complete	MR.2000.007	407.131.0719
4	Cylinder Head Complete	MR.2000.042	407.130.0519

MAN - MERC.

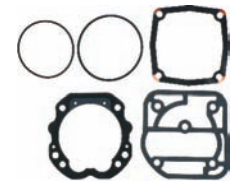
51.54000.7064

51.54000.7055

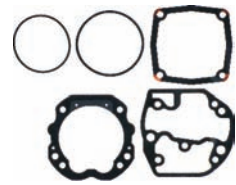
No.	Description	Truckline No.	Other Informations
5	Valve Plate Complete	MN.3000.008	411 033 806 2
5	Valve Plate Complete	MR.2000.016	000.130.2619
5	Valve Plate Complete	MN.3000.007	ZB4275
5	Valve Plate Complete	MR.2000.118	407.131.0719
5	Valve Plate Complete	MR.2000.018	407.130.0519
6	Cylinder Up Head	MN.3000.001	411 033 806 2
6	Cylinder Up Head	MR.2000.116	000.130.2619
6	Cylinder Up Head	MN.3000.107	ZB4275
6	Cylinder Up Head	MR.2000.008	407.131.0719/519
7	Piston Ring Set 90 mm (3x)	MN.2000.019	2,5 - 2,5 - 4
7	Piston Ring Set 90 mm (4x)	MN.2000.119	2,5 - 2,5 - 2,5 - 4
8	Piston Ring Set 90,50 mm (3x)	MN.2000.020	2,5 - 2,5 - 4
8	Piston Ring Set 90,50 mm (4x)	MN.2000.120	2,5 - 2,5 - 2,5 - 4
9	Piston Ring Set 91 mm (3x)	MN.2000.021	2,5 - 2,5 - 4
9	Piston Ring Set 91 mm (4x)	MN.2000.121	2,5 - 2,5 - 2,5 - 4
10	Piston 90 mm (3x)	MN.2000.023	2,5 - 2,5 - 4
10	Piston 90 mm (4x)	MN.2000.123	2,5 - 2,5 - 2,5 - 4
11	Piston 90,50 mm (3x)	MN.2000.024	2,5 - 2,5 - 4
11	Piston 90,50 mm (4x)	MN.2000.124	2,5 - 2,5 - 2,5 - 4
12	Piston 91 mm (3x)	MN.2000.025	2,5 - 2,5 - 4
12	Piston 91 mm (4x)	MN.2000.125	2,5 - 2,5 - 2,5 - 4
13	Cylinder Liner + Piston (Water)	MN.2000.030	
14	Cylinder Liner + Piston (Air)	MN.2000.029	
15	Cylinder Liner (Water)	MN.2000.130	
16	Cylinder Liner (Air)	MN.2000.129	
17	Crankcase	MN.3000.005	
18	Compressor Gear	MR.2000.066	
19	Crankcase Cover Front	MR.2000.067	
20	Crankcase Cover Bottom	MR.2000.068	
21	Crankshaft Flange Rear Complete	MN.2000.069	
22	Valve Set	MR.2000.031	Model WABCO, BOSCH i MERC.
22	Valve Set	KR.5400.013	Model KNORR
22	Valve Set	MR.2000.032	Model MERC. 407.131.0719
23	Gasket Set	MN.3000.010	411 033 806 2
23	Gasket Set	MR.2000.028	000.130.2619
23	Gasket Set	MN.3000.025	ZB4275
23	Gasket Set	MR.2000.045	407.131.0719/519
23	Gasket Set	MN.3000.133	BOSCH 0 480 099 004
24	Gasket + Valve Set	MN.3000.020	411 033 806 2
24	Gasket + Valve Set	MR.2000.055	000.130.2619
24	Gasket + Valve Set	MN.3000.026	ZB4275
24	Gasket + Valve Set	MR.2000.059	407.131.0719
24	Gasket + Valve Set	MR.2000.058	407.130.0519
24	Gasket + Valve Set	MN.3000.132	BOSCH 0 480 099 004



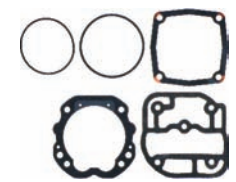
MR.2000.028



MN.3000.025



MR.2000.045



MN.3000.133



MR.2000.031



KR.5400.013



MR.2000.032

MAN - MERC.



MN.3000.020



MR.2000.055



MN.3000.026



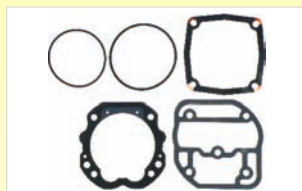
MR.2000.059



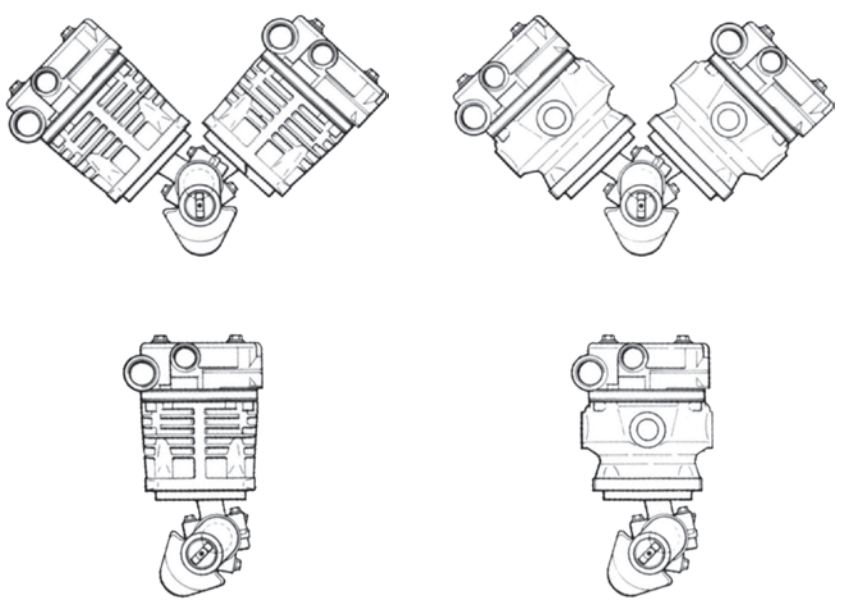
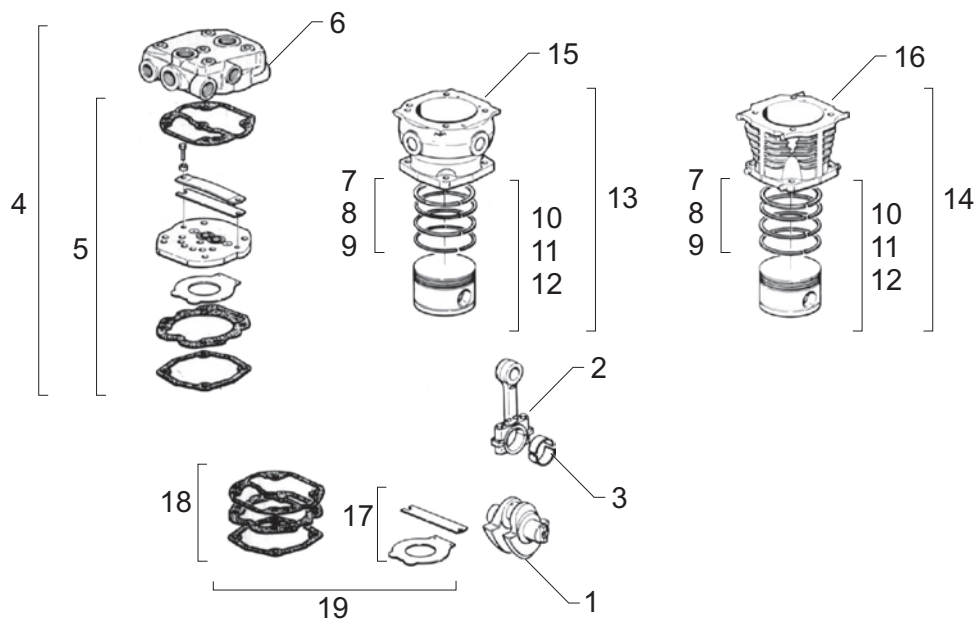
MR.2000.058



MN.3000.132



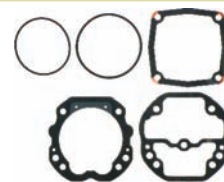
MN.3000.010



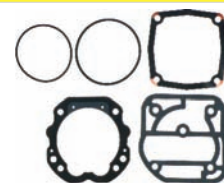
No.	Description	Truckline No.	Other Informations
1	Crankshaft	MN.2000.005	for two Cylinder "V" Version
1	Crankshaft	MN.2000.008	for one Cylinder Version
2	Connecting Rod	MN.2000.027	for two Cylinder "V" Version
2	Connecting Rod	MN.2000.026	for one Cylinder Version
3	Connecting Rod Bearing	MN.2000.007	for two Cylinder "V" Version
3	Connecting Rod Bearing	MN.2000.006	for one Cylinder Version

MAN - MERC.

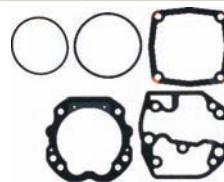
No.	Description	Truckline No.	Other Informations
4	Cylinder Head Complete	MN.3000.002	411 033 806 2
4	Cylinder Head Complete	MR.2000.017	000.130.2619
4	Cylinder Head Complete	MN.3000.009	ZB4275
4	Cylinder Head Complete	MR.2000.007	407.131.0719
4	Cylinder Head Complete	MR.2000.042	407.130.0519
5	Valve Plate Complete	MN.3000.008	411 033 806 2
5	Valve Plate Complete	MR.2000.016	000.130.2619
5	Valve Plate Complete	MN.3000.007	ZB4275
5	Valve Plate Complete	MR.2000.118	407.131.0719
5	Valve Plate Complete	MR.2000.018	407.130.0519
6	Cylinder Up Head	MN.3000.001	411 033 806 2
6	Cylinder Up Head	MR.2000.116	000.130.2619
6	Cylinder Up Head	MN.3000.107	ZB4275
6	Cylinder Up Head	MR.2000.008	407.131.0719/519
7	Piston Ring Set 90 mm (3x)	MN.2000.019	2,5 - 2,5 - 4
7	Piston Ring Set 90 mm (4x)	MN.2000.119	2,5 - 2,5 - 2,5 - 4
8	Piston Ring Set 90,50 mm (3x)	MN.2000.020	2,5 - 2,5 - 4
8	Piston Ring Set 90,50 mm (4x)	MN.2000.120	2,5 - 2,5 - 2,5 - 4
9	Piston Ring Set 91 mm (3x)	MN.2000.021	2,5 - 2,5 - 4
9	Piston Ring Set 91 mm (4x)	MN.2000.121	2,5 - 2,5 - 2,5 - 4
10	Piston 90 mm (3x)	MN.2000.023	2,5 - 2,5 - 4
10	Piston 90 mm (4x)	MN.2000.123	2,5 - 2,5 - 2,5 - 4
11	Piston 90,50 mm (3x)	MN.2000.024	2,5 - 2,5 - 4
11	Piston 90,50 mm (4x)	MN.2000.124	2,5 - 2,5 - 2,5 - 4
12	Piston 91 mm (3x)	MN.2000.025	2,5 - 2,5 - 4
12	Piston 91 mm (4x)	MN.2000.125	2,5 - 2,5 - 2,5 - 4
13	Cylinder Liner + Piston (Water)	MN.2000.030	
14	Cylinder Liner + Piston (Air)	MN.2000.029	
15	Cylinder Liner (Water)	MN.2000.130	
16	Cylinder Liner (Air)	MN.2000.129	
17	Valve Set	MR.2000.031	Model WABCO, BOSCH i MERC.
17	Valve Set	KR.5400.013	Model KNORR
17	Valve Set	MR.2000.032	Model MERC. 407.131.0719
18	Gasket Set	MN.3000.010	411 033 806 2
18	Gasket Set	MR.2000.028	000.130.2619
18	Gasket Set	MN.3000.025	ZB4275
18	Gasket Set	MR.2000.045	407.131.0719/519
18	Gasket Set	MN.3000.133	BOSCH 0 480 099 004
19	Gasket + Valve Set	MN.3000.020	411 033 806 2
19	Gasket + Valve Set	MR.2000.055	000.130.2619
19	Gasket + Valve Set	MN.3000.026	ZB4275
19	Gasket + Valve Set	MR.2000.059	407.131.0719
19	Gasket + Valve Set	MR.2000.058	407.130.0519
19	Gasket + Valve Set	MN.3000.132	BOSCH 0 480 099 004



MR.2000.028



MN.3000.025



MR.2000.045



MN.3000.133



MR.2000.031



KR.5400.013



MR.2000.032

MAN

51.54000.7079



MN.3000.020



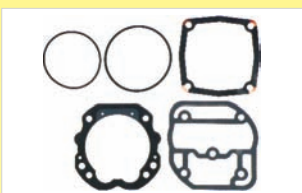
MN.3000.026



MN.3000.132



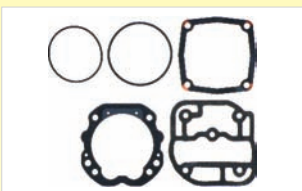
MN.5800.920



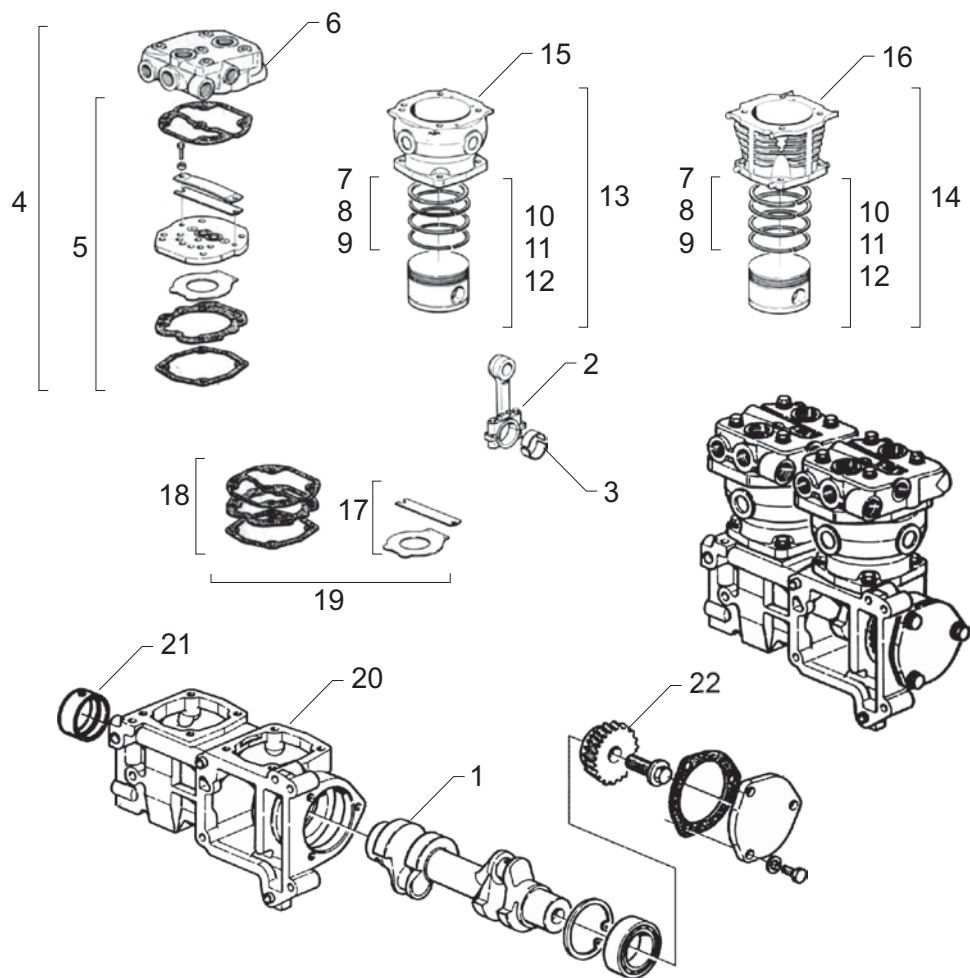
MN.3000.010



MN.3000.025



MN.3000.133



MAN

51.5400.7079



MN.5800.919



MR.2000.031

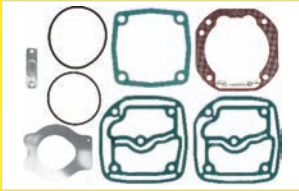


KR.5400.013

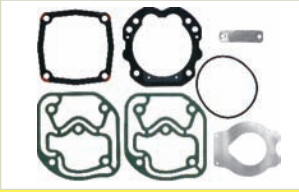
No.	Description	Truckline No.	Other Informations
1	Crankshaft	MN.5800.004	
2	Connecting Rod	MN.2000.026	
3	Connecting Rod Bearing	MN.2000.006	
4	Cylinder Head Complete	MN.3000.002	411 033 806 2
4	Cylinder Head Complete	MN.3000.009	ZB4275
5	Valve Plate Complete	MN.3000.008	411 033 806 2
5	Valve Plate Complete	MN.3000.007	ZB4275
6	Cylinder Up Head	MN.3000.001	411 033 806 2
6	Cylinder Up Head	MN.3000.107	ZB4275
7	Piston Ring Set 90 mm (3x)	MN.2000.019	2,5 - 2,5 - 4
7	Piston Ring Set 90 mm (4x)	MN.2000.119	2,5 - 2,5 - 2,5 - 4
8	Piston Ring Set 90,50 mm (3x)	MN.2000.020	2,5 - 2,5 - 4
8	Piston Ring Set 90,50 mm (4x)	MN.2000.120	2,5 - 2,5 - 2,5 - 4
9	Piston Ring Set 91 mm (3x)	MN.2000.021	2,5 - 2,5 - 4
9	Piston Ring Set 91 mm (4x)	MN.2000.121	2,5 - 2,5 - 2,5 - 4
10	Piston 90 mm (3x)	MN.2000.023	2,5 - 2,5 - 4
10	Piston 90 mm (4x)	MN.2000.123	2,5 - 2,5 - 2,5 - 4
11	Piston 90,50 mm (3x)	MN.2000.024	2,5 - 2,5 - 4
11	Piston 90,50 mm (4x)	MN.2000.124	2,5 - 2,5 - 2,5 - 4
12	Piston 91 mm (3x)	MN.2000.025	2,5 - 2,5 - 4
12	Piston 91 mm (4x)	MN.2000.125	2,5 - 2,5 - 2,5 - 4
13	Cylinder Liner + Piston (Water)	MN.2000.030	
14	Cylinder Liner + Piston (Air)	MN.2000.029	
15	Cylinder Liner (Water)	MN.2000.130	
16	Cylinder Liner (Air)	MN.2000.129	
17	Valve Set	MR.2000.031	Model WABCO, BOSCH
17	Valve Set	KR.5400.013	Model KNORR
18	Gasket Set	MN.3000.010	411 033 806 2
18	Gasket Set	MN.3000.025	ZB4275
18	Gasket Set	MN.3000.133	BOSCH 0 480 099 004
18	Gasket Set	MN.5800.919	ZB4275 - płyta dzielona
19	Gasket + Valve Set	MN.3000.020	411 033 806 2
19	Gasket + Valve Set	MN.3000.026	ZB4275
19	Gasket + Valve Set	MN.3000.132	BOSCH 0 480 099 004
19	Gasket + Valve Set	MN.5800.920	ZB4275 - płyta dzielona
20	Crankcase	MN.5800.018	
21	Crankshaft Bearing Rear	MN.5800.017	
22	Compressor Gear	MN.5800.019	

MAN

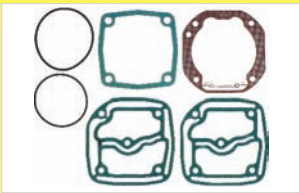
51.54114.7002



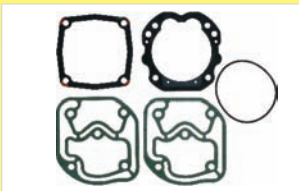
MN.3000.018



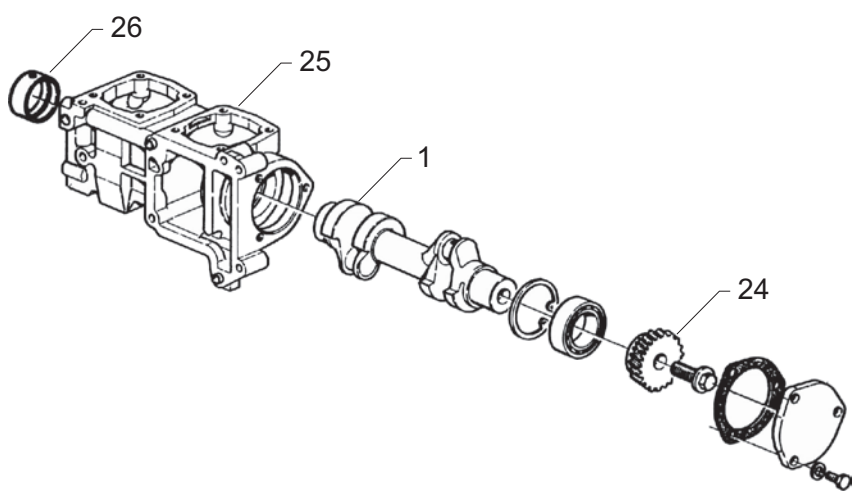
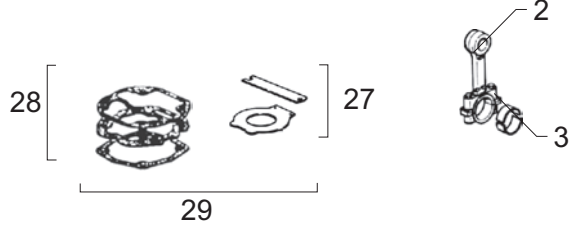
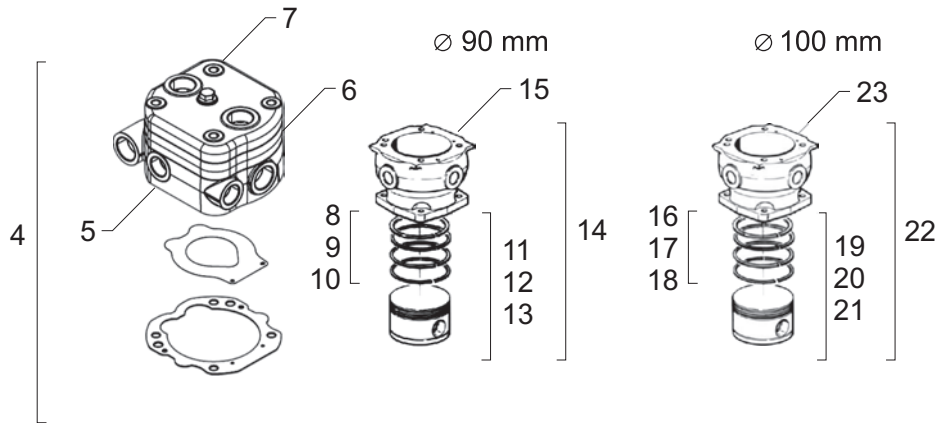
MN.3000.016



MN.3000.017

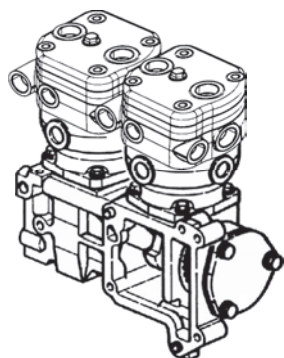


MN.3000.015



MAN

51.54114.7002



MN.3000.019



MN.3000.014

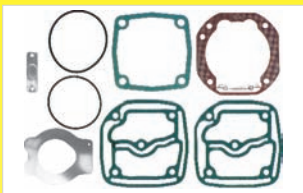
No.	Description	Truckline No.	Other Informations
1	Crankshaft	MN.5800.004	54.54113.3019
2	Connecting Rod	MN.2000.026	Compressor with 90 mm Piston
2	Connecting Rod	MN.5800.026	Compressor with 100 mm Piston
3	Connecting Rod Bearing	MN.2000.006	Compressor with 90 mm Piston
3	Connecting Rod Bearing	MN.5800.006	Compressor with 100 mm Piston
4	Cylinder Head Complete	MN.3000.116	412 090 800 2 (90 mm)
4	Cylinder Head Complete	MN.3000.118	412 100 800 2 / 51.54114.6070 (100 mm)
5	Valve Plate	MN.3000.113	for Cylinder Head 412 090 800 2
6	Cylinder Head Plate	MN.3000.114	for Cylinder Head 412 090 800 2
7	Cylinder Up Head	MN.3000.115	for Cylinder Head 412 090 800 2
8	Piston Ring Set 90 mm	MN.2000.019	2,5 - 2,5 - 4
9	Piston Ring Set 90,50 mm	MN.2000.020	2,5 - 2,5 - 4
10	Piston Ring Set 91 mm	MN.2000.021	2,5 - 2,5 - 4
11	Piston 90 mm	MN.2000.023	2,5 - 2,5 - 4
12	Piston 90,50 mm	MN.2000.024	2,5 - 2,5 - 4
13	Piston 91 mm	MN.2000.025	2,5 - 2,5 - 4
14	Cylinder Liner + Piston 90 mm	MN.2000.030	
15	Cylinder Liner 90 mm	MN.2000.130	
16	Piston Ring Set 100 mm	MR.2300.023	2,5 - 2,5 - 4
17	Piston Ring Set 100,50 mm	MR.2300.024	2,5 - 2,5 - 4
18	Piston Ring Set 101 mm	MR.2300.026	2,5 - 2,5 - 4
19	Piston 100 mm	MR.2300.027	2,5 - 2,5 - 4
20	Piston 100,50 mm	MR.2300.028	2,5 - 2,5 - 4
21	Piston 101 mm	MR.2300.036	2,5 - 2,5 - 4
22	Cylinder Liner + Piston 100 mm	MN.5800.060	
23	Cylinder Liner 100 mm	MN.5800.160	51.54105.6016
24	Compressor Gear	MN.5800.020	51.54210.0128 (90 mm)
24	Compressor Gear	MN.5800.019	51.54210.0035 (100 mm)
25	Crankcase	MN.5800.018	51.54112.6020
26	Crankshaft Bearing Rear	MN.5800.017	51.93502.0103
27	Valve Set (90 mm)	MN.3000.014	
27	Valve Set (100 mm)	MN.3000.019	
28	Gasket Set (90 mm)	MN.3000.015	
28	Gasket Set (100 mm)	MN.3000.017	
29	Gasket+Valve Set (90 mm)	MN.3000.016	
29	Gasket+Valve Set (100 mm)	MN.3000.018	

MAN - MERC.

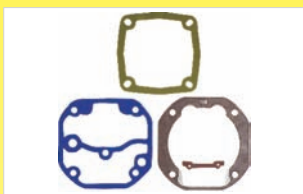
447.130.2815



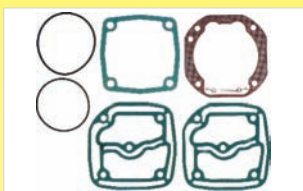
MR.2300.062



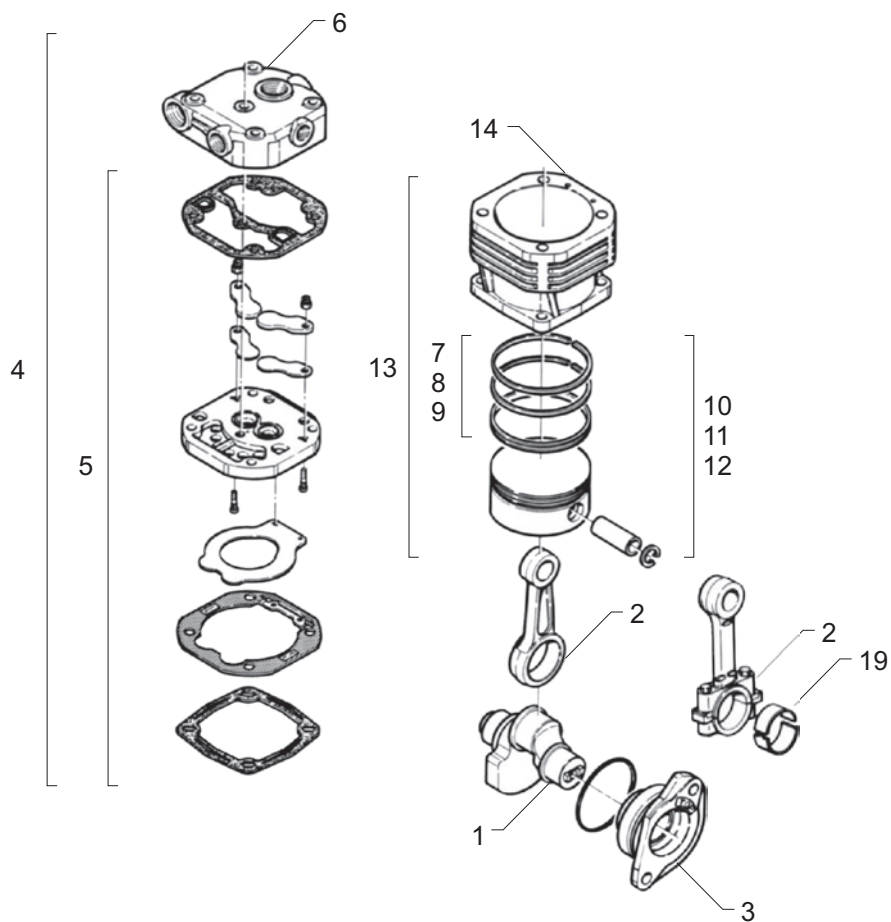
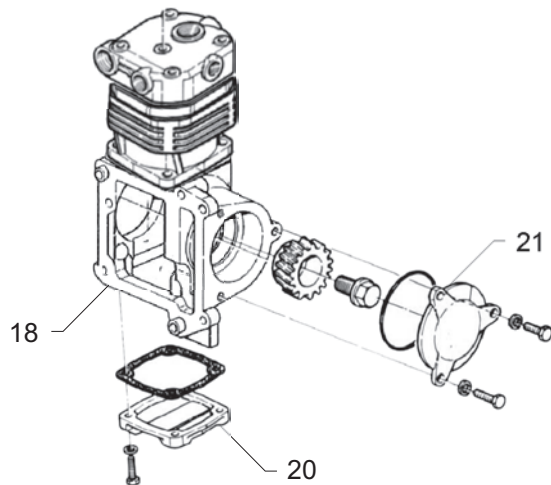
MN.3000.018



MR.2300.065



MN.3000.017



MAN - MERC.

447.130.2815



15 - 16 - 17



MR.2300.052

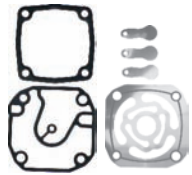


MN.3000.019

No.	Description	Truckline No.	Other Informations
1	Crankshaft	MR.2300.004	MERC. 442 130 01 14
1	Crankshaft	MN.2000.004	MAN 51.54113.5027
2	Connecting Rod	MR.2300.010	MERC. 442 131 00 17
2	Connecting Rod	MN.5800.026	MAN
3	Crankshaft Flange Rear	MR.2300.032	MERC. 442 130 01 45
3	Crankshaft Flange Rear	MR.2000.069	MAN
4	Cylinder Head Complete	MR.2300.055	MERC. 442 130 34 19
4	Cylinder Head Complete	MN.3000.118	MAN
5	Valve Plate Complete	MR.2300.050	MERC. 441 130 01 20
6	Cylinder Up Head	MR.2300.056	MERC. 442 130 32 19
7	Piston Ring Set 100 mm	MR.2300.023	2,5 - 2,5 - 4
8	Piston Ring Set 100,50 mm	MR.2300.024	2,5 - 2,5 - 4
9	Piston Ring Set 101 mm	MR.2300.026	2,5 - 2,5 - 4
10	Piston 100 mm	MR.2300.027	2,5 - 2,5 - 4
11	Piston 100,50 mm	MR.2300.028	2,5 - 2,5 - 4
12	Piston 101 mm	MR.2300.036	2,5 - 2,5 - 4
13	Cylinder Liner + Piston 100 mm	MR.2300.060	MERC. 441 130 00 08
13	Cylinder Liner + Piston 100 mm	MN.5800.060	MAN
14	Cylinder Liner 100 mm	MR.2300.160	MERC. 442 131 01 02
14	Cylinder Liner 100 mm	MN.5800.160	MAN 51.54105.6016
15	Gasket Set	MR.2300.065	MERC.
15	Gasket Set	MN.3000.017	MAN
16	Valve Set	MR.2300.052	MERC.
16	Valve Set	MN.3000.019	MAN
17	Gasket + Valve Set	MR.2300.062	MERC.
17	Gasket + Valve Set	MN.3000.018	MAN
18	Crankcase	MN.3000.004	
19	Connecting Rod Bearing	MN.5800.006	
20	Crankcase Cover	MR.2000.068	
21	Crankcase Cover Front	MR.2000.067	

MERC.

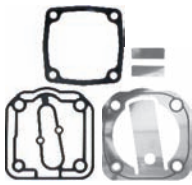
ACTROS



MR.2400.055



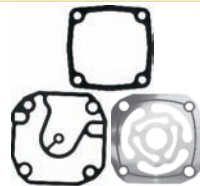
MR.2400.056



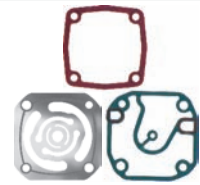
MR.2400.057



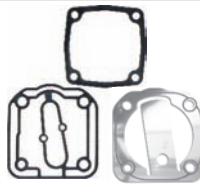
MR.2300.062



MR.2400.049



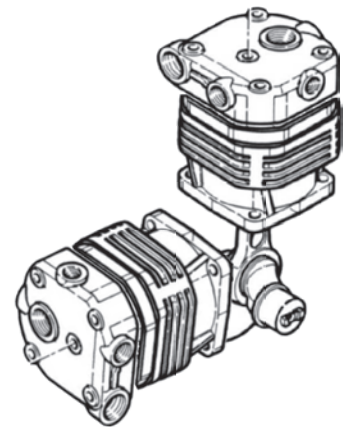
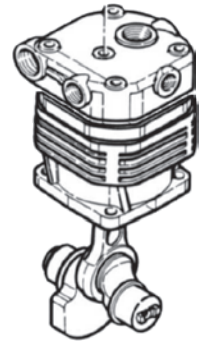
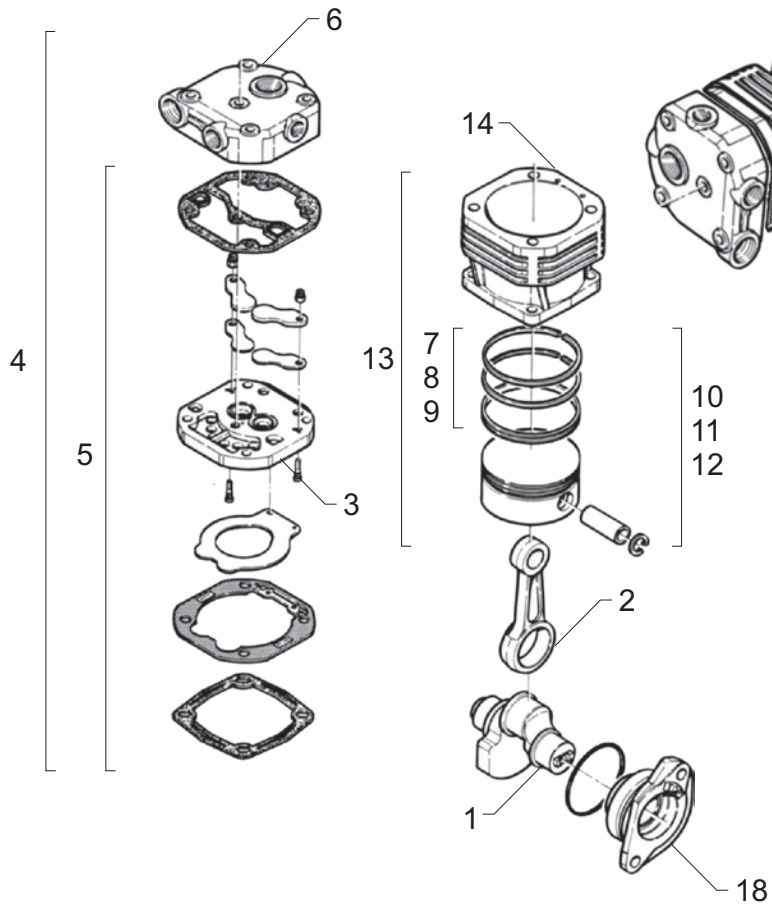
MR.2400.050



MR.2400.051



15 - 16 - 17



MERC.

ACTROS

No.	Description	Truckline No.	Other Informations
1	Crankshaft	MR.2400.004	One Cyinder Version
1	Crankshaft	MR.2300.004	One Cyinder Version for OM442 Engine
2	Connecting Rod	MR.2300.010	One Cyinder Version OM442 Engine and ACTROS
2	Connecting Rod	MR.2400.007	Two Cylinder ACTROS Version
3	Valve Plate Complete (without Gasket and Valve)	MR.2400.032	541 131 11 19
3	Valve Plate Complete (without Gasket and Valve)	MR.2400.058	541 130 22 19 (ZB4289)
4	Cylinder Head Complete	MR.2400.155	541 131 11 19
4	Cylinder Head Complete	MR.2400.156	541 131 06 19
4	Cylinder Head Complete	MR.2400.157	541 130 22 19 (ZB4289)
4	Cylinder Head Complete	MR.2300.055	for OM442 Engine
5	Valve Plate Complete	MR.2400.030	541 131 11 19
5	Valve Plate Complete	MR.2400.059	541 130 22 19 (ZB4289)
5	Valve Plate Complete	MR.2300.050	for OM442 Engine
6	Cylinder Up Head	MR.2400.031	541 131 11 19
6	Cylinder Up Head	MR.2400.033	541 131 06 19
6	Cylinder Up Head	MR.2400.060	541 130 22 19 (ZB4289)
6	Cylinder Up Head	MR.2300.056	for OM442 Engine
7	Piston Ring Set 100 mm	MR.2300.023	2,5 - 2,5 - 4
8	Piston Ring Set 100,50 mm	MR.2300.024	2,5 - 2,5 - 4
9	Piston Ring Set 101 mm	MR.2300.026	2,5 - 2,5 - 4
10	Piston 100 mm	MR.2300.027	2,5 - 2,5 - 4
11	Piston 100,50 mm	MR.2300.028	2,5 - 2,5 - 4
12	Piston 101 mm	MR.2300.036	2,5 - 2,5 - 4
13	Cylinder Liner + Piston 100 mm	MR.2400.028	One Cylinder ACTROS Version
13	Cylinder Liner + Piston 100 mm	MR.2400.029	Two Cylinder ACTROS Version
13	Cylinder Liner + Piston 100 mm	MR.2300.060	for OM442 Engine
14	Cylinder Liner 100 mm	MR.2400.128	One Cylinder ACTROS Version
14	Cylinder Liner 100 mm	MR.2400.129	Two Cylinder ACTROS Version
14	Cylinder Liner 100 mm	MR.2300.160	for OM442 Engine
15	Gasket Set	MR.2400.049	541 131 11 19
15	Gasket Set	MR.2400.050	541 131 06 19
15	Gasket Set	MR.2400.051	541 130 22 19 (ZB4289)
15	Gasket Set	MR.2300.065	for OM442 Engine
16	Valve Set	MR.2400.052	541 131 11 19
16	Valve Set	MR.2400.053	541 131 06 19
16	Valve Set	MR.2400.054	541 130 22 19 (ZB4289)
16	Valve Set	MR.2300.052	for OM442 Engine
17	Gasket + Valve Set	MR.2400.055	541 131 11 19
17	Gasket + Valve Set	MR.2400.056	541 131 06 19
17	Gasket + Valve Set	MR.2400.057	541 130 22 19 (ZB4289)
17	Gasket + Valve Set	MR.2300.062	for OM442 Engine
18	Crankshaft Flange Rear	MR.2400.005	ACTROS
18	Crankshaft Flange Rear	MR.2300.032	for OM442 Engine



MR.2300.065



MR.2400.052



MR.2400.053



MR.2400.054



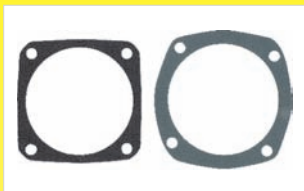
MR.2300.054

MERC.

352.130.0615



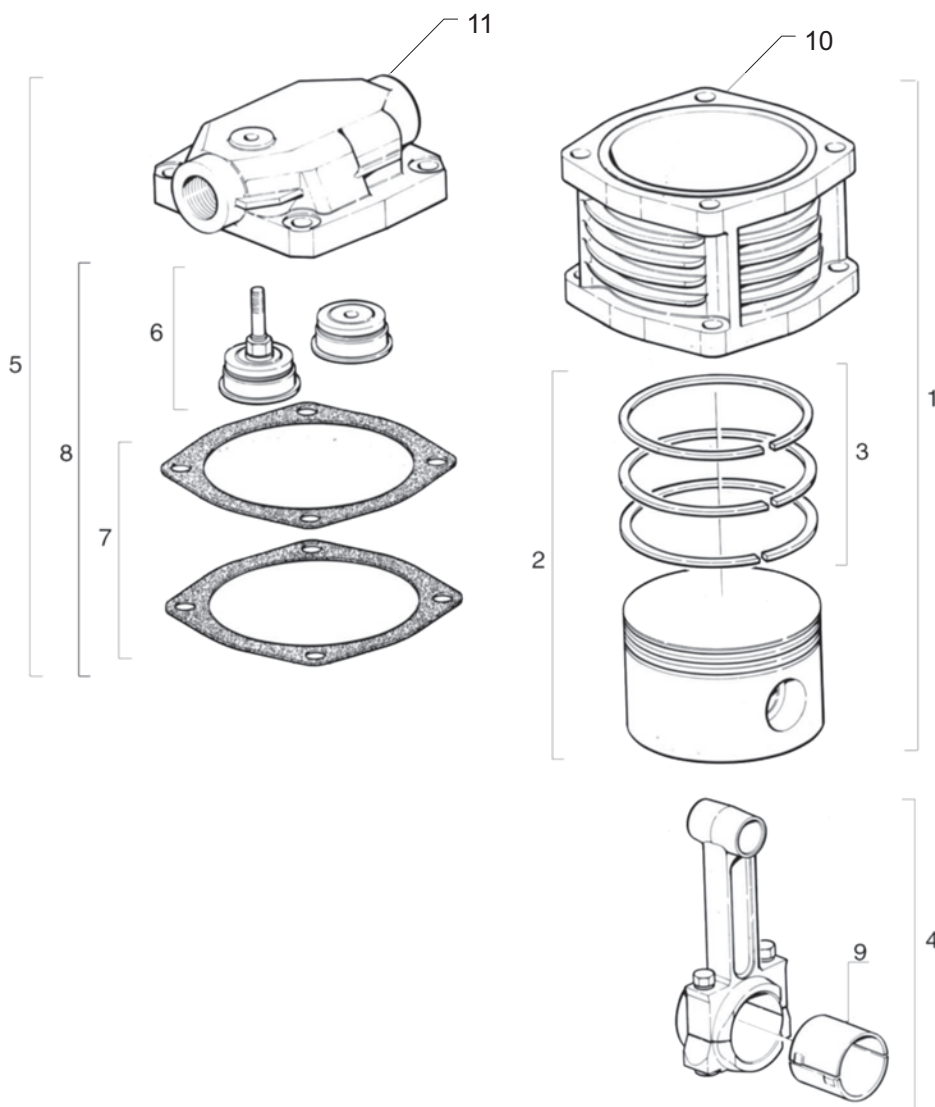
MR.2100.008



MR.2100.007



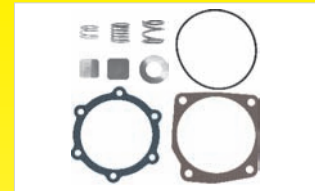
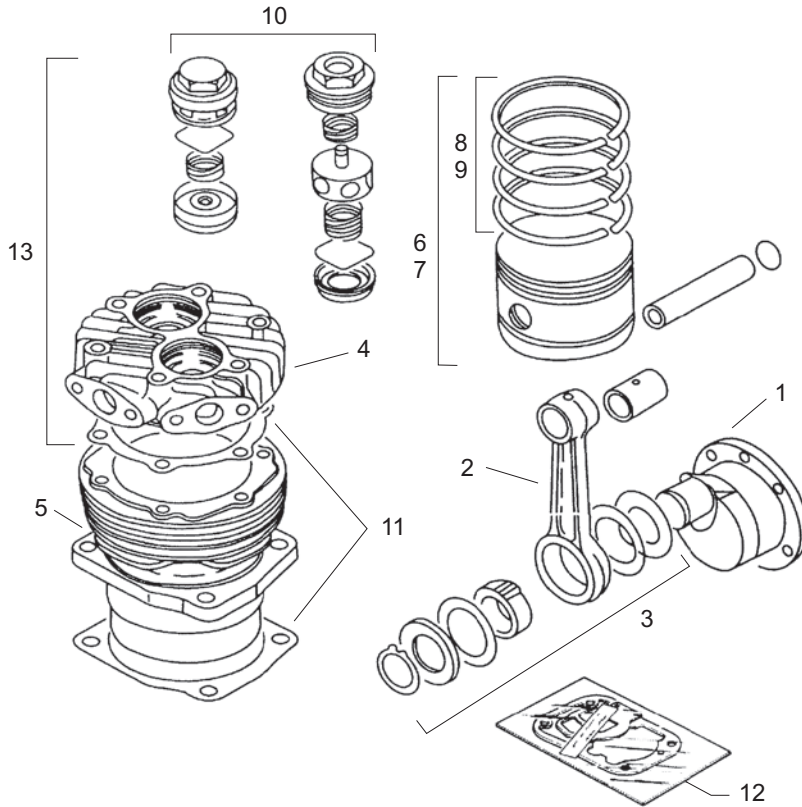
MR.2100.006



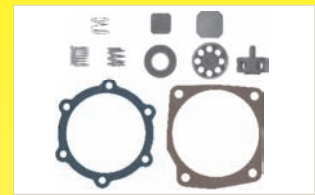
No.	Description	Truckline No.	Other Informations
1	Cylinder Liner + Piston 94 mm	MR.2100.001	
2	Piston 94 mm	MR.2100.002	2,5 - 2,5 - 2,5
2	Piston 94,50 mm	MR.2100.010	2,5 - 2,5 - 2,5
2	Piston 95 mm	MR.2100.012	2,5 - 2,5 - 2,5
3	Piston Ring Set 94 mm	MR.2100.004	2,5 - 2,5 - 2,5
4	Connecting Rod	MR.2100.003	
5	Cylinder Head Complete	MR.2100.005	
6	Valve Set	MR.2100.006	
7	Gasket Set	MR.2100.007	
8	Gasket + Valve Set	MR.2100.008	
9	Connecting Rod Bearing kpl.	MR.2100.013	
10	Cylinder Liner 94 mm	MR.2100.014	
11	Cylinder Up Head	MR.2100.015	

RV1

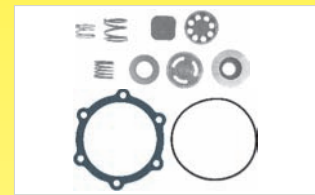
RV1 100MM



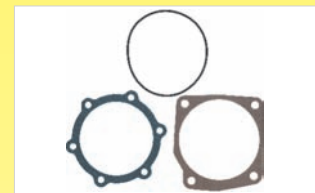
RV.7700.056



RV.7700.063



RV.7700.064



RV.7700.052



RV.7700.053

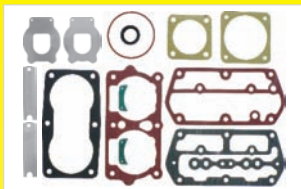


RV.7700.054

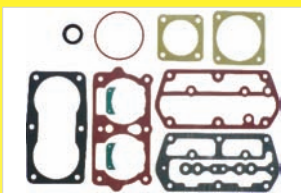
No.	Description	Truckline No.	Other Informations
1	Crankshaft	RV.7700.001	
2	Connecting Rod	RV.7700.002	
3	Connecting Rod Bearing	RV.7700.003	
4	Cylinder Up Head	RV.7700.005	
4	Cylinder Up Head	RV.7700.007	MAGNUM
5	Cylinder Liner	RV.7700.013	
5	Cylinder Liner	RV.7700.113	MAGNUM (o-ring)
6	Piston 100 mm	RV.7700.008	3 Rings
6	Piston 100 mm	RV.7700.009	4 Rings
7	Piston 100,50 mm	RV.7700.010	3 Rings
7	Piston 100,50 mm	RV.7700.011	4 Rings
8	Piston Ring Set 100 mm	RV.7700.018	2,5 - 2,5 - 2,5 - 5
8	Piston Ring Set 100 mm	RV.7700.019	2,5 - 2,5 - 4
9	Piston Ring Set 100,50 mm	RV.7700.020	2,5 - 2,5 - 2,5 - 5
9	Piston Ring Set 100,50 mm	RV.7700.021	2,5 - 2,5 - 4
10	Valve Set	RV.7700.053	
10	Valve Set	RV.7700.054	MAGNUM
11	Gasket Set	RV.7700.052	
12	Gasket+Valve Set	RV.7700.056	Universal
12	Gasket+Valve Set	RV.7700.063	
12	Gasket+Valve Set	RV.7700.064	MAGNUM
13	Cylinder Head Complete	RV.7700.004	
13	Cylinder Head Complete	RV.7700.006	MAGNUM

IKARUS

61.324



IK.1000.056



IK.1000.052



WA.5000.053

No.	Description	Truckline No.	Other Informations
1	Gasket+Valve Set	IK.1000.056	
2	Gasket Set	IK.1000.052	
3	Valve Set	WA.5000.053	
4	Piston 100 mm	IK.1000.010	
5	Piston 100 mm	IK.1000.011	
6	Piston 100,50 mm	IK.1000.012	
7	Piston 100,50 mm	IK.1000.013	
8	Piston Ring Set 100 mm	IK.1000.020	
9	Piston Ring Set 100 mm	IK.1000.021	
10	Piston Ring Set 100,50 mm	IK.1000.022	
11	Piston Ring Set 100,50 mm	IK.1000.023	



NOTE

A large yellow rectangular area intended for handwritten notes, consisting of multiple horizontal lines.

NOTE

A large yellow rectangular area containing 25 horizontal lines, intended for handwritten notes.