

Z.F.
Gearbox

EURO
COM

95

CATALOGUE
Z.F.

FILE

95CBM039.pdf

SIZE

1,90MB

No. PAGES

15

RELEASE

11/2006

MODELS

ECOMID 1304

9S109 R.6,57-0,74

9S109 R.8,49-1,00

9S109 R.10,24-0,74

9S109 R.10,25-0,79

9S109 R.12,91-1,00

9S109 R.12,92-1,00

GROUP
Gearbox

Updated
2006

Options

ONLY FOR CD-ROM CATALOGUES



Home



Group



Back

%

Zoom
Select



Print



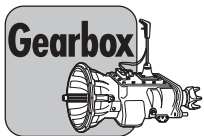
Page
Search



Catalogue
Search



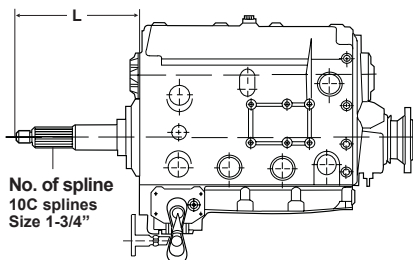
Exit



GEARBOX: 9S109

Input Shaft Technical Specification

L = Length mm



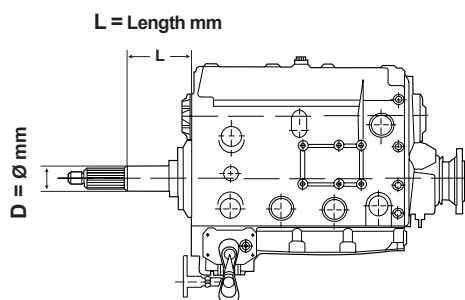
Tab 1 - Input Shaft Table

Our No.	TP	Input Shaft No.		Ratio	Teeth	Sizes	Cover No.	Clutch Type
95570919	■	1304 202 171	A	6,57-0,74	Z 27	L=286 SAE 10C 1-3/4"	1304 302 376	F&S MFZ430
		1304 202 175	B	8,49-1,00	Z 26	L=320 SAE 10C 1-3/4"	1304 302 316	F&S GF2 380KR
		1304 202 170	C	10,24-0,74	Z 27	L=260 SAE 10C 1-3/4"	1304 302 472	VALEO 430DTE
							1304 302 444	
95570919	■	1304 202 171	C	10,24-0,74	Z 27	L=286 SAE 10C 1-3/4"	1304 302 322	
							1304 302 319	
		1304 202 172	C	10,24-0,74	Z 27	L=278 SAE 10C 1-3/4"	1304 302 424	VALEO 430DTP
		1304 202 173	C	10,24-0,74	Z 27	L=320 SAE 10C 1-3/4"	1304 302 319	F&S G380
		1304 202 180	C	10,24-0,74	Z 27	L=209,2 45X2X21X10E		
95533614	■	1304 202 245	C	10,24-0,74	Z 27	L=320 SAE 10C 1-3/4"	1304 302 316	HINO 430
		1304 202 249	C	10,24-0,74	Z 27	L=320 SAE 10C 1-3/4"	1304 302 331	DANA-SP.1402SA
		1304 221 008	C	10,24-0,74	Z 27	L=261,6 SAE 10C 1-3/4"		F&S GF420XN
95570919	■	1304 202 171	D	10,25-0,79	Z 27	L=286 SAE 10C 1-3/4"	1304 302 316	VALEO 430DTE
95533595		1304 202 168	E	12,91-1,00	Z 26	L=286 SAE 10C 1-3/4"	1304 302 316	LIPE-ROLL.14-2
		1304 202 175	E	12,91-1,00	Z 26	L=320 SAE 10C 1-3/4"	1304 302 331	DANA-SP.1402SA
95570523		1304 202 177	E	12,91-1,00	Z 26	L=260 SAE 10C 1-3/4"	1304 302 472	VALEO 430DTE
							1304 302 444	
		1304 202 178	E	12,91-1,00	Z 26	L=310 SAE 10C 1-3/4"	1304 302 321	
		1304 202 217	E	12,91-1,00	Z 26	L=310 SAE 10C 1-3/4"	1304 302 442	
		1304 202 250	E	12,91-1,00	Z 26	L=248	1304 302 488	
		1304 221 009	EF	12,91-1,00	Z 26	L=261,6 SAE 10C 1-3/4"		F&S GF420XN
95533595		1304 202 168	G	12,92-1,00	Z 26	L=286 SAE 10C 1-3/4"	1304 302 316	F&S GFX420
		1304 202 175	G	12,92-1,00	Z 26	L=320 SAE 10C 1-3/4"	1304 302 331	DANA-SP.1402SA
		1304 202 176	G	12,92-1,00	Z 26	L=320 SAE 10C 1-3/4"	1304 302 331	DANA-SP.1402SA
95570523		1304 202 177	GH	12,92-1,00	Z 26	L=260 SAE 10C 1-3/4"	1304 302 317	
							1304 302 444	
		1304 202 178	G	12,92-1,00	Z 26	L=310 SAE 10C 1-3/4"	1304 302 321	
		1304 221 009	GH	12,92-1,00	Z 26	L=261,6 SAE 10C 1-3/4"		

OPTIONS



Front Cover Technical Specification



Tab 2 - Front Cover Table

Fig.	Our No. TP	Cover No.	Input Shaft No.		Ratio	Sizes	Clutch Type
1		1304 302 316	1304 202 175	B	8,49-1,00	L=170 D=57	F&S GF2 380KR
			1304 202 245	C	10,24-0,74	L=170 D=57	HINO 430
			1304 202 171	D	10,25-0,79	L=170 D=57	VALEO 430DTE
			1304 202 168	E	12,91-1,00	L=170 D=57	LIPE-ROLL.14-2
			1304 202 168	G	12,92-1,00	L=170 D=57	F&S GFX420
1		1304 302 317	1304 202 177	G	12,92-1,00	L=147 D=57	
1		1304 302 319	1304 202 173	C	10,24-0,74	L=190 D=57	F&S G380
			1304 202 171	C	10,24-0,74	L=190 D=57	
1		1304 302 321	1304 202 178	E	12,91-1,00	L=190 D=62,61	
			1304 202 178	G	12,92-1,00	L=190 D=62,61	
1		1304 302 322	1304 202 171	C	10,24-0,74	L=147 D=60	
2		1304 302 331	1304 202 249	C	10,24-0,74	L=80	DANA-SP.1402SA
			1304 202 175	E	12,91-1,00	L=80	DANA-SP.1402SA
			1304 202 176	G	12,92-1,00	L=80	DANA-SP.1402SA
			1304 202 175	G	12,92-1,00	L=80	DANA-SP.1402SA
1		1304 302 376	1304 202 171	A	6,57-0,74	L=170 D=60	F&S MFZ430
1		1304 302 424	1304 202 172	C	10,24-0,74	L=190 D=68	VALEO 430DTP
1		1304 302 442	1304 202 217	E	12,91-1,00	L=190 D=54	
1	95533636	1304 302 444	1304 202 170	C	10,24-0,74	L=147 D=57	
			1304 202 177	E	12,91-1,00	L=147 D=57	
			1304 202 177	GH	12,92-1,00	L=147 D=57	
1		1304 302 472	1304 202 170	C	10,24-0,74	L=153 D=70	VALEO 430DTE
			1304 202 177	E	12,91-1,00	L=153 D=70	VALEO 430DTE
1		1304 302 488	1304 202 250	E	12,91-1,00	L=151 D=54	

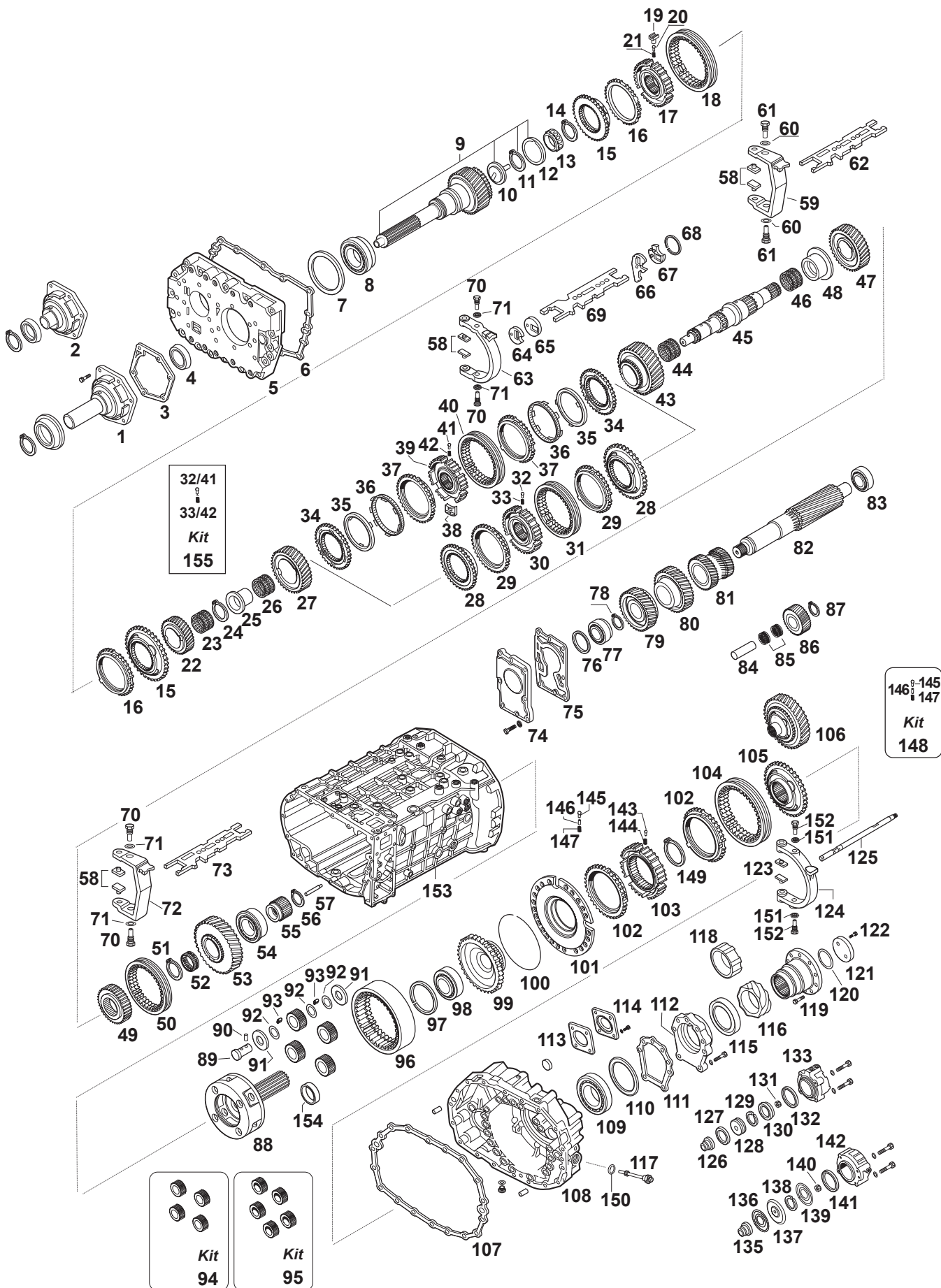


Fig.	Our No.	Part No.	Description	Note	TP	A-R.6,57-0,74	B-R.8,49-1,00	C-R.10,24-0,74	D-R.10,25-0,79	EF-R.12,91-1,00	GH-R.12,92-1,00								
1			SEE TAB 2 FRONT COVER																
2			SEE TAB 2 FRONT COVER																
3		0501 316 990	GASKET			■	■	■	■	■	■								
4	95531581	0750 111 149	OIL SEAL 48X65X10		●	■	■	■	■	■	■								
4		0634 310 201	OIL SEAL 90X110X13	(1)				■		■	■								
5		1304 301 331	HOUSING			■	■	■	■	■	■								
6		0666 791 001	SEAL COMPOUND	(7)		■	■	■	■	■	■								
6		0501 313 379	GASKET			■	■	■	■	■	■								
7		0730 004 810	WASHER T.2,50 MM			■	■	■	■	■	■								
7		0730 004 800	WASHER T.2,00 MM			■	■	■	■	■	■								
8	98531251	0750 117 079	BEARING 66,6X117,4X30,1		■	■	■	■	■	■	■								
9	95570919	1304 202 171	INPUT SHAFT 27 T.	ACD	■	■		■	■										
9		1304 202 175	INPUT SHAFT 26 T.	BEG			■			■	■								
9		1304 202 180	INPUT SHAFT 27 T.	C				■											
9		1304 202 170	INPUT SHAFT 27 T.	C				■											
9		1304 202 173	INPUT SHAFT 27 T.	C				■											
9		1304 202 249	INPUT SHAFT 27 T.	C				■											
9	95533614	1304 202 245	INPUT SHAFT 27 T.	C	■			■											
9		1304 202 172	INPUT SHAFT 27 T	C				■											
9		1304 221 008	INPUT SHAFT 27 T.	C				■											
9		1304 202 178	INPUT SHAFT 26 T.	EG						■	■								
9		1304 202 217	INPUT SHAFT 26 T.	E						■									
9	95533595	1304 202 168	INPUT SHAFT 26 T.	EG						■	■								
9	95570523	1304 202 177	INPUT SHAFT 26 T.	EGH						■	■								
9		1304 202 250	INPUT SHAFT 26 T.	E						■									
9		1304 221 009	INPUT SHAFT 26 T.	EFGH						■	■								
9		1304 202 176	INPUT SHAFT 26 T.	G							■								
10	95570675	1304 302 440	COVER		NSS	■	■	■	■	■	■								
11	95570674	0630 502 063	SEEGER RING DIN472 58X2		NSS	■	■	■	■	■	■								
12	95570676	0501 311 146	DIAPHRAGM		NSS	■	■	■	■	■	■								
13	98530173	0735 371 748	NEEDLE BEARING 32X29,5		◆	■	■	■	■	■	■								
14	95531753	0630 501 146	SEEGER RING T.2,20 MM		■	■	■	■	■	■	■								
14		0630 501 149	SEEGER RING T.1,90 MM			■	■	■	■	■	■								
15	95570354	1304 304 660	SYNCHRONIZER CONE			■	■	■	■	■	■								
16	95570353	1304 304 014	SYNCHRONIZER RING	Old Type		■	■	■	■	■	■								

Notes / Note :

- (1) ONLY FOR INPUT SHAFT 1304 221 008 - 1304 221 009
- (2) ALTERNATIVE VERSION HAVING 5 IDLE PINIONS IN PLACE OF 4. **TO BE COUPLED TOGETHER**
- (3) ALTERNATIVE VERSION HAVING A DIFFERENT PLANETARY GROUP SYNCHRONIZATION . **TO BE COUPLED TOGETHER**
- (4) ONLY FOR FLANGE : 1304 338 097 - 1304 238 003 - 1304 338 109
- (5) REPLACED BY 1 PC 1304 301 360 (FIG.108) + 1 PC 0636 304 048 (NOT ILLUSTRATED) + 1 PC 0634 801 044 (NOT ILLUSTRATED) + 1 PC 0634 801 055 (NOT ILLUSTRATED) + 1 PC 0630 361 071 (NOT ILLUSTRATED)
- (6) **95531281** 1295 298 956 COMPOSED BY 6 PCS **95570574** 1297 304 436 (FIG.32/41) + 6 PCS **95570470** 0732 040 409 (FIG.33/42)
- (7) 0666 791 001 (SEAL COMPOUND) + 0501 313 379 (GASKET) ARE IN THE KIT 1304 298 914 95531145

Continued

Fig.	Our No.	Part No.	Description	Note	TP	A-R.6,57-0,74	B-R.8,49-1,00	C-R.10,24-0,74	D-R.10,25-0,79	EF-R.12,91-1,00	GH-R.12,92-1,00								
16	95531086	1304 304 683	SYNCHRONIZER RING	New Type		■	■	■	■	■	■								
17	95570488	1304 304 051	SYNCHRONIZER HUB			■	■	■	■	■	■								
18	95570352	6002 305 515	SLIDING SLEEVE			■	■	■	■	■	■								
19	95570080	1238 304 394	SLIDING BLOCK	3 pcs.		■	■	■	■	■	■								
20	95570142	1249 304 222	PIN	3 pcs.		■	■	■	■	■	■								
21	95570470	0732 040 409	PRESSURE SPRING	3 pcs.		■	■	■	■	■	■								
22	95570920	1304 304 472	GEAR 3RD SPEED 23 T.	AC		■		■											
22	95570510	1304 304 500	GEAR 3RD SPEED 25 T.	BGH			■				■								
22		1304 304 365	GEAR 3RD SPEED 24 T.	D					■										
22		1304 304 571	GEAR 3RD SPEED 27 T.	EF						■									
23	98531235	0735 321 011	NEEDLE CAGE 60X68X23		■	■	■	■	■	■	■								
24		0630 501 067	SEEGER RING T.2,40 MM			■	■	■	■	■	■								
24		0630 501 278	SEEGER RING T.1,90 MM			■	■	■	■	■	■								
25	95570368	1304 304 050	BUSH			■	■	■	■	■	■								
26	98530073	0750 115 227	NEEDLE BEARING 75X83X40 W		■	■	■	■	■	■	■								
26		0735 321 478	NEEDLE BEARING 75X83X40					■		■	■								
27	95570921	1304 304 367	GEAR 2ND SPEED 31 T.	ACD		■		■	■										
27	95570511	1304 304 499	GEAR 2ND SPEED 29 T.	BGH			■				■								
27		1304 304 570	GEAR 2ND SPEED 30 T.	EF						■									
28	95570356	1304 304 408	SYNCHRONIZER CONE	ABCDEG		■	■	■	■	■	■								
29	95570355	1304 304 542	SYNCHRONIZER RING	ABCDEG-Old	◆	■	■	■	■	■	■								
29	95531087	1304 304 681	SYNCHRONIZER RING	ABCDEG-New		■	■	■	■	■	■								
30	95570662	1304 304 591	SYNCHRONIZER HUB	ABCDEG		■	■	■	■	■	■								
31	95570351	1304 304 597	SLIDING SLEEVE	ABCDEG		■	■	■	■	■	■								
32	95570574	1297 304 436	SLIDE	ABCDEG-3pc		■	■	■	■	■	■								
33	95570470	0732 040 409	PRESSURE SPRING	ABCDEG-3pc		■	■	■	■	■	■								
34	95533669	1304 304 623	SYNCHRONIZER CONE	FH	■					■	■								
35	95533296	1290 304 350	SYNCHRONIZER CONE	FH	■					■	■								
36	95533299	1290 304 366	SYNCHRONIZER RING	FH						■	■								
37	95533308	1290 304 438	SYNCHRONIZER RING	FH	■					■	■								
38	95570643	1312 304 159	SLIDING BLOCK	FH-3 pcs.						■	■								
39		1304 304 646	SYNCHRONIZER HUB	FH						■	■								
40		6002 305 994	SLIDING SLEEVE	FH						■	■								
41	95570574	1297 304 436	SLIDE	FH-3 pcs.						■	■								
42	95570470	0732 040 409	PRESSURE SPRING	FH-3 pcs.						■	■								

Notes / Note :

- (1) ONLY FOR INPUT SHAFT 1304 221 008 - 1304 221 009
- (2) ALTERNATIVE VERSION HAVING 5 IDLE PINIONS IN PLACE OF 4. **TO BE COUPLED TOGETHER**
- (3) ALTERNATIVE VERSION HAVING A DIFFERENT PLANETARY GROUP SYNCHRONIZATION . **TO BE COUPLED TOGETHER**
- (4) ONLY FOR FLANGE : 1304 338 097 - 1304 238 003 - 1304 338 109
- (5) REPLACED BY 1 PC 1304 301 360 (FIG.108) + 1 PC 0636 304 048 (NOT ILLUSTRATED) + 1 PC 0634 801 044 (NOT ILLUSTRATED) + 1 PC 0636 302 021 (NOT ILLUSTRATED) + 1 PC 0634 801 055 (NOT ILLUSTRATED) + 1 PC 0630 361 071 (NOT ILLUSTRATED)
- (6) **95531281** 1295 298 956 COMPOSED BY 6 PCS **95570574** 1297 304 436 (FIG.32/41) + 6 PCS **95570470** 0732 040 409 (FIG.33/42)
- (7) 0666 791 001 (SEAL COMPOUND) + 0501 313 379 (GASKET) ARE IN THE KIT 1304 298 914 95531145

Continued

Fig.	Our No.	Part No.	Description	Note	TP	A-R.6,57-0,74	B-R.8,49-1,00	C-R.10,24-0,74	D-R.10,25-0,79	EF-R.12,91-1,00	GH-R.12,92-1,00									
43	95570922	1304 304 471	GEAR 1ST SPEED	AC	■	■		■												
43	95570512	1304 304 498	GEAR 1ST SPEED 33 T.	BGH	■		■				■									
43		1304 304 369	GEAR 1ST SPEED 33 T.	D					■											
43		1304 304 569	GEAR 1ST SPEED 33 T.	EF						■										
44	98531219	0735 320 816	NEEDLE CAGE 75X83X23		■	■	■	■	■	■	■									
45	95570513	1304 304 449	MAIN SHAFT			■	■	■	■	■	■									
46	98530334	0735 320 500	NEEDLE CAGE 75X83X35	CDEFGH	■			■	■	■	■									
47	95570923	1304 304 428	GEAR LOW SPEED 38 T.	CD	■			■	■											
47		1304 304 543	GEAR LOW SPEED	EF						■										
47		1304 304 426	GEAR LOW SPEED 37 T.	GH							■									
48		1304 304 568	BUSH	AB		■	■													
49	95570878	1304 304 443	HUB 24 T		■	■	■	■	■	■	■									
50	95570514	1304 304 444	SLIDING SLEEVE			■	■	■	■	■	■									
51	95531766	0630 501 195	SEEGER RING T.2,80 MM		■	■	■	■	■	■	■									
51		0630 501 067	SEEGER RING T.2,40 MM			■	■	■	■	■	■									
52	98530182	0750 115 225	NEEDLE BEARING 60X68X39		■	■	■	■	■	■	■									
53	95570925	1304 304 437	REVERSE GEAR 35 T.	ACD	■	■		■	■											
53	95570515	1304 304 435	REVERSE GEAR 32 T.	BGH	■		■				■									
53		1304 304 553	REVERSE GEAR	EF						■										
54	98530172	0750 117 081	BEARING 50,8X104,7X30,1	Old Type	●	■	■	■	■	■	■									
54	98531246	0735 371 605	BEARING 50,8X104,7X30,1	New Type	■	■	■	■	■	■	■									
55	95570663	1304 304 448	SUN GEAR 34 T.			■	■	■	■	■	■									
56	95530923	0630 531 065	SEEGER RING T.3,00 MM		■	■	■	■	■	■	■									
56	95530448	0630 501 114	SEEGER RING T.2,80 MM		■	■	■	■	■	■	■									
56	95530627	0630 531 064	LOCK RING T.2,50 MM		■	■	■	■	■	■	■									
56	95530517	0630 501 148	LOCK RING T.2,45 MM		■	■	■	■	■	■	■									
56	95530513	0630 501 147	LOCK RING T.2,30 MM		■	■	■	■	■	■	■									
57	95531608	1312 304 150	PIPE		■	■	■	■	■	■	■									
58	95570490	1290 306 066	SLIDING BLOCK			■	■	■	■	■	■									
59		1304 306 096	FORK			■		■												
59		1304 306 044	FORK				■			■	■									
59		1304 306 010	FORK							■	■									
60		0730 300 093	WASHER			■	■	■	■	■	■									
61		1304 306 092	SCREW			■		■	■											
61		1304 306 108	SCREW				■			■	■									

Notes / Note :

- (1) ONLY FOR INPUT SHAFT 1304 221 008 - 1304 221 009
- (2) ALTERNATIVE VERSION HAVING 5 IDLE PINIONS IN PLACE OF 4. **TO BE COUPLED TOGETHER**
- (3) ALTERNATIVE VERSION HAVING A DIFFERENT PLANETARY GROUP SYNCHRONIZATION . **TO BE COUPLED TOGETHER**
- (4) ONLY FOR FLANGE : 1304 338 097 - 1304 238 003 - 1304 338 109
- (5) REPLACED BY 1 PC 1304 301 360 (FIG.108) + 1 PC 0636 304 048 (NOT ILLUSTRATED) + 1 PC 0634 801 044 (NOT ILLUSTRATED) + 1 PC 0636 302 021 (NOT ILLUSTRATED) + 1 PC 0634 801 055 (NOT ILLUSTRATED) + 1 PC 0630 361 071 (NOT ILLUSTRATED)
- (6) **95531281** 1295 298 956 COMPOSED BY 6 PCS **95570574** 1297 304 436 (FIG.32/41) + 6 PCS **95570470** 0732 040 409 (FIG./42)
- (7) 0666 791 001 (SEAL COMPOUND) + 0501 313 379 (GASKET) ARE IN THE KIT 1304 298 914 95531145

Continued

Fig.	Our No.	Part No.	Description	Note	TP	A-R.6,57-0,74	B-R.8,49-1,00	C-R.10,24-0,74	D-R.10,25-0,79	EF-R.12,91-1,00	GH-R.12,92-1,00							
62		1304 306 079	TIE ROD			■	■			■	■							
62		1304 306 138	TIE ROD					■	■	■	■							
63		1304 306 043	FORK			■	■			■	■							
63		1304 306 009	FORK					■	■	■	■							
64		1304 306 022	STOP SEGMENT			■	■	■	■	■	■							
65		1304 306 089	SUPPORT			■	■	■	■	■	■							
66		1304 306 140	LEVER			■	■	■	■	■	■							
66		1304 306 060	LEVER					■		■	■							
67		1304 306 090	SUPPORT			■	■	■	■	■	■							
67		1304 306 091	SUPPORT					■		■	■							
68		0730 009 856	RING			■	■	■	■	■	■							
69		1304 306 053	TIE ROD			■	■			■	■							
69		1304 306 051	TIE ROD	OLD				■	■	■	■							
69		1304 306 139	TIE ROD	NEW				■	■	■	■							
70		1304 306 108	SCREW			■	■	■	■	■	■							
71		0730 300 093	WASHER			■	■	■	■	■	■							
72		1304 306 077	FORK			■	■	■	■	■	■							
73		1304 306 079	TIE ROD			■	■			■	■							
73		1304 306 138	TIE ROD					■	■	■	■							
74	95531659	0501 004 549	OIL PUMP		■	■	■	■	■	■	■							
74		0501 004 550	OIL PUMP					■										
75		1304 303 297	GASKET			■	■	■	■	■	■							
76		0730 003 418	WASHER T.3,00 MM			■	■	■	■	■	■							
76		0730 004 788	WASHER T.2,50 MM			■	■	■	■	■	■							
76		0730 001 799	WASHER T.2,00 MM			■	■	■	■	■	■							
77	98531247	0735 371 749	BEARING 40X80X32 MM		■	■	■	■	■	■	■							
78		0630 531 050	SEEGER RING T.2,50 MM			■	■	■	■	■	■							
78		0630 531 049	SEEGER RING T.2,00 MM			■	■	■	■	■	■							
79	95570926	1304 303 285	CONSTANT GEAR 33 T.	ACD		■		■	■									
79	95570516	1304 303 272	CONSTANT GEAR 36 T.	BEFGH			■			■	■							
80	95570927	1304 303 210	GEAR 3RD SPEED 38 T.	AC		■		■										
80	95570518	1304 303 244	GEAR 3RD SPEED 27 T.	BGH			■				■							
80		1304 303 171	GEAR 3RD SPEED 37 T.	D					■									
80		1304 303 287	GEAR 3RD SPEED 28 T.	EF						■								
81	95570928	1304 303 209	DOUBLE GEAR 28/21 T.	AC		■		■										

Notes / Note :

- (1) ONLY FOR INPUT SHAFT 1304 221 008 - 1304 221 009
- (2) ALTERNATIVE VERSION HAVING 5 IDLE PINIONS IN PLACE OF 4. **TO BE COUPLED TOGETHER**
- (3) ALTERNATIVE VERSION HAVING A DIFFERENT PLANETARY GROUP SYNCHRONIZATION . **TO BE COUPLED TOGETHER**
- (4) ONLY FOR FLANGE : 1304 338 097 - 1304 238 003 - 1304 338 109
- (5) REPLACED BY 1 PC 1304 301 360 (FIG.108) + 1 PC 0636 304 048 (NOT ILLUSTRATED) + 1 PC 0634 801 044 (NOT ILLUSTRATED) + 1 PC 0636 302 021 (NOT ILLUSTRATED) + 1 PC 0634 801 055 (NOT ILLUSTRATED) + 1 PC 0630 361 071 (NOT ILLUSTRATED)
- (6) **95531281** 1295 298 956 COMPOSED BY 6 PCS **95570574** 1297 304 436 (FIG.32/41) + 6 PCS **95570470** 0732 040 409 (FIG.33/42)
- (7) 0666 791 001 (SEAL COMPOUND) + 0501 313 379 (GASKET) ARE IN THE KIT 1304 298 914 95531145

Continued

Fig.	Our No.	Part No.	Description	Note	TP	A-R.6,57-0,74	B-R.8,49-1,00	C-R.10,24-0,74	D-R.10,25-0,79	EF-R.12,91-1,00	GH-R.12,92-1,00								
81	95570519	1304 303 243	DOUBLE GEAR 19/23 T.	BGH		■				■									
81		1304 303 172	DOUBLE GEAR	D				■											
81		1304 303 286	DOUBLE GEAR	EF						■									
82	95570929	1304 303 269	COUNTERSHAFT 16 T.	ACD	■	■	■	■											
82	95570517	1304 303 267	COUNTERSHAFT 14 T.	BGH		■					■								
82		1304 303 268	COUNTERSHAFT 14 T.	EF						■									
83	98530082	0750 117 083	BEARING 50,8X95,2X27,7		●	■	■	■	■	■	■								
84		1304 305 030	REVERSE PIN			■	■	■	■	■	■								
85	98530230	0735 358 192	NEEDLE BEARING 40X60X26		■	■	■	■	■	■	■								
86	95570930	1304 305 043	REVERSE GEAR 22 T.	ACD		■	■	■											
86		1304 305 044	REVERSE GEAR	BGH			■				■								
86		1304 305 045	REVERSE GEAR	EF						■									
87		0630 502 022	LOCK RING			■	■	■	■	■	■								
88	95570931	1304 232 095	PLANET CARRIER			■	■	■	■	■	■								
88	95570665	1304 232 090	PLANET CARRIER	(2)	■					■	■								
89	95570664	1304 332 111	PLANET SHAFT	4 pcs.		■	■	■	■	■	■								
89	95570664	1304 332 111	PLANET SHAFT	(2) 5 pcs.						■	■								
90	95570882	0631 329 037	LOCK PIN 4X26	4 pcs.	●	■	■	■	■	■	■								
90	95570882	0631 329 037	LOCK PIN 4X26	(2) 5 pcs.	●					■	■								
91	95530667	0501 304 692	THRUST WASHER	8 pcs.		■	■	■	■	■	■								
91	95530667	0501 304 692	THRUST WASHER	(2)10 pcs.						■	■								
92	95530665	0730 103 102	SHIM	12 pcs.		■	■	■	■	■	■								
92	95530665	0730 103 102	SHIM	(2)15 pcs.						■	■								
93	95570881	0735 470 115	NEEDLE D. 5	160 pcs.	●	■	■	■	■	■	■								
93	95570881	0735 470 115	NEEDLE D. 5	(2)200 pcs	●					■	■								
94	95570932	1304 232 037	GEAR SET (4 PCS)			■	■	■	■	■	■								
95	95570521	1304 232 025	GEAR SET (5 PCS)	(2)						■	■								
96	95570525	1304 332 178	CROWN 86 T.			■	■	■	■	■	■								
97		0630 513 187	RING T.2,40 MM			■	■	■	■	■	■								
97		0630 513 191	RING T.2,00 MM			■	■	■	■	■	■								
97		0730 513 756	RETAINER RING T.2,40 MM	(3)				■		■	■								
97		0730 513 759	RETAINER RING T.2,10 MM	(3)				■		■	■								
97		0730 513 760	RETAINER RING T.2,00 MM	(3)				■		■	■								
98	98530080	0735 340 080	BEARING 70X90X10		■	■	■	■	■	■	■								
98	98530057	0750 116 165	BEARING 80X110X16	(3)	■			■		■	■								

Notes / Note :

- (1) ONLY FOR INPUT SHAFT 1304 221 008 - 1304 221 009
- (2) ALTERNATIVE VERSION HAVING 5 IDLE PINIONS IN PLACE OF 4. **TO BE COUPLED TOGETHER**
- (3) ALTERNATIVE VERSION HAVING A DIFFERENT PLANETARY GROUP SYNCHRONIZATION . **TO BE COUPLED TOGETHER**
- (4) ONLY FOR FLANGE : 1304 338 097 - 1304 238 003 - 1304 338 109
- (5) REPLACED BY 1 PC 1304 301 360 (FIG.108) + 1 PC 0636 304 048 (NOT ILLUSTRATED) + 1 PC 0634 801 044 (NOT ILLUSTRATED) + 1 PC 0636 302 021 (NOT ILLUSTRATED) + 1 PC 0634 801 055 (NOT ILLUSTRATED) + 1 PC 0630 361 071 (NOT ILLUSTRATED)
- (6) **95531281** 1295 298 956 COMPOSED BY 6 PCS **95570574** 1297 304 436 (FIG.32/41) + 6 PCS **95570470** 0732 040 409 (FIG.33/42)
- (7) 0666 791 001 (SEAL COMPOUND) + 0501 313 379 (GASKET) ARE IN THE KIT 1304 298 914 95531145

Continued

Fig.	Our No.	Part No.	Description	Note	TP	A-R.6,57-0,74	B-R.8,49-1,00	C-R.10,24-0,74	D-R.10,25-0,79	EF-R.12,91-1,00	GH-R.12,92-1,00								
99	95570524	1304 332 060	CARRIER HUB 86 T.			■	■	■	■	■	■								
99	95533721	1304 332 215	CARRIER HUB 86 T.	(3)	■			■		■	■								
100	95532347	0730 505 140	LOCK RING		■	■	■	■	■	■	■								
101	95570520	1304 233 005	SYNCHRONIZER CONE			■	■	■	■	■	■								
101	95531333	1304 233 006	SYNCHRONIZER CONE	(3)				■			■								
102	95570667	1304 333 005	SYNCHRONIZER RING	Old Type		■	■	■	■	■	■								
102	95531088	1304 333 021	SYNCHRONIZER RING	New Type	◆	■	■	■	■	■	■								
102	95530648	1296 333 022	SYNCHRONIZER RING	(3) Old T.				■		■	■								
102	95531084	1296 333 045	SYNCHRONIZER RING	(3) New T.				■		■	■								
103	95570876	1304 332 066	SYNCHRONIZER HUB			■	■	■	■	■	■								
103	95570993	1313 333 001	SYNCHRONIZER HUB	(3)				■		■	■								
104	95570522	1304 332 089	SLIDING SLEEVE			■	■	■	■	■	■								
104	95533724	1304 333 011	SLIDING SLEEVE	(3)				■		■	■								
105	95570666	1304 332 075	SYNCHRONIZER CONE			■	■	■	■	■	■								
105	95533621	1304 233 013	SYNCHRONIZER CONE	(3)				■		■	■								
106	95531332	1304 232 085	RETARDER GEAR 55 T.	(3)w/retar				■		■	■								
107		1304 301 063	GASKET			■	■	■	■	■	■								
107		0501 314 029	GASKET	(3)				■		■	■								
108		1304 301 316	COVER	OLD(5)		■	■	■	■	■	■								
108		1304 301 360	COVER	NEW		■	■	■	■	■	■								
108		1304 301 322	COVER	(3)				■		■	■								
109	98531249	0750 116 048	BEARING 78X130X25		■	■	■	■	■	■	■								
109	98531250	0750 116 197	BEARING 80X140X26	(3)	■			■		■	■								
110		0730 002 543	WASHER T.1,90 MM			■	■	■	■	■	■								
110		0730 002 546	WASHER T.1,60 MM			■	■	■	■	■	■								
110		0730 002 549	WASHER T.1,30 MM			■	■	■	■	■	■								
110		2049 309 534	WASHER T.2,00 MM	(3)				■		■	■								
110		0730 006 532	WASHER T.1,70 MM	(3)				■		■	■								
111		1304 301 109	GASKET			■	■	■	■	■	■								
112		1304 301 089	COVER			■	■	■	■	■	■								
113	95531593	1238 308 201	GASKET		●	■	■	■	■	■	■								
114	95531377	1304 301 034	COVER		■	■	■	■	■	■	■								
115	95531564	0734 319 439	OIL SEAL 95X115X10		●	■	■	■	■	■	■								
116		1304 338 020	SPEEDOMETER GEAR			■	■	■	■	■	■								
117		1304 235 001	SPEEDOMETER SHAFT			■	■	■	■	■	■								

Notes / Note :

- (1) ONLY FOR INPUT SHAFT 1304 221 008 - 1304 221 009
- (2) ALTERNATIVE VERSION HAVING 5 IDLE PINIONS IN PLACE OF 4. **TO BE COUPLED TOGETHER**
- (3) ALTERNATIVE VERSION HAVING A DIFFERENT PLANETARY GROUP SYNCHRONIZATION . **TO BE COUPLED TOGETHER**
- (4) ONLY FOR FLANGE : 1304 338 097 - 1304 238 003 - 1304 338 109
- (5) REPLACED BY 1 PC 1304 301 360 (FIG.108) + 1 PC 0636 304 048 (NOT ILLUSTRATED) + 1 PC 0634 801 044 (NOT ILLUSTRATED) + 1 PC 0636 302 021 (NOT ILLUSTRATED) + 1 PC 0634 801 055 (NOT ILLUSTRATED) + 1 PC 0630 361 071 (NOT ILLUSTRATED)
- (6) **95531281** 1295 298 956 COMPOSED BY 6 PCS **95570574** 1297 304 436 (FIG.32/41) + 6 PCS **95570470** 0732 040 409 (FIG.33/42)
- (7) 0666 791 001 (SEAL COMPOUND) + 0501 313 379 (GASKET) ARE IN THE KIT 1304 298 914 95531145

Continued

Fig.	Our No.	Part No.	Description	Note	TP	A-R.6,57-0,74	B-R.8,49-1,00	C-R.10,24-0,74	D-R.10,25-0,79	EF-R.12,91-1,00	GH-R.12,92-1,00									
118		1304 332 147	PULSE DISK																	
119		1304 338 059	OUTPUT FLANGE			■	■	■	■	■	■									
119		1304 238 003	FLANGE D.150 - 4 HOLES			■	■	■	■	■	■									
119		1304 338 048	OUTPUT FLANGE			■	■	■	■	■	■									
119		1304 338 049	OUTPUT FLANGE			■	■	■	■	■	■									
119		1304 338 060	OUTPUT FLANGE			■	■	■	■	■	■									
119		1304 338 109	OUTPUT FLANGE			■	■	■	■	■	■									
119		1304 338 097	OUTPUT FLANGE			■	■	■	■	■	■									
119		1304 338 050	OUTPUT FLANGE			■	■	■	■	■	■									
119		1304 338 054	OUTPUT FLANGE			■	■	■	■	■	■									
119		1304 338 053	OUTPUT FLANGE			■	■	■	■	■	■									
119		1304 338 052	FLANGE D.180 - 10 HOLES			■	■	■	■	■	■									
119		1304 338 067	OUTPUT FLANGE			■	■	■	■	■	■									
119		1304 338 032	OUTPUT FLANGE			■	■	■	■	■	■									
119		1304 308 056	FLANGE D.204 - 4 HOLES			■	■	■	■	■	■									
120	95531577	0634 313 223	O-RING 59,2X5,7		■	■	■	■	■	■	■									
121	95533743	1304 338 045	WASHER		■	■	■	■	■	■	■									
121		1304 338 072	WASHER	(4)		■	■	■	■	■	■									
122		0636 016 173	SCREW M12X45			■	■	■	■	■	■									
122		0636 011 488	SCREW M12X55	(4)		■	■	■	■	■	■									
123	95531658	1272 334 003	SLIDING BLOCK (SAE430B)			■	■	■	■	■	■									
123	95530104 M	1272 334 003	SLIDING BLOCK (OT58)			■	■	■	■	■	■									
124	95533728	1304 334 039	FORK		■	■	■	■	■	■	■									
124		1304 334 063	FORK	(3)				■		■	■									
125		1304 334 009	TIE ROD			■	■	■	■	■	■									
125		1304 334 075	TIE ROD	(3)				■		■	■									
126	95531565	0750 112 047	GASKET 22X36X14,5		●	■	■	■	■	■	■									
127	95531566	0734 307 296	RING 74X84X5		●	■	■	■	■	■	■									
128		1304 334 072	PISTON			■	■	■	■	■	■									
129	95531567	0750 145 003	RING 78X82,70X5,50 MM		■	■	■	■	■	■	■									
130	95531566	0734 307 296	RING 74X84X5		●	■	■	■	■	■	■									
131		0737 006 095	NUT M16X1,5			■	■	■	■	■	■									
132	95531578	0634 313 232	O-RING 95X2		●	■	■	■	■	■	■									
133	95531623	1304 334 061	CYLINDER			■	■	■	■	■	■									
135	95531565	0750 112 047	GASKET 22X36X14,5	(3)	●			■		■	■									

Notes / Note :

- (1) ONLY FOR INPUT SHAFT 1304 221 008 - 1304 221 009
- (2) ALTERNATIVE VERSION HAVING 5 IDLE PINIONS IN PLACE OF 4. **TO BE COUPLED TOGETHER**
- (3) ALTERNATIVE VERSION HAVING A DIFFERENT PLANETARY GROUP SYNCHRONIZATION . **TO BE COUPLED TOGETHER**
- (4) ONLY FOR FLANGE : 1304 338 097 - 1304 238 003 - 1304 338 109
- (5) REPLACED BY 1 PC 1304 301 360 (FIG.108) + 1 PC 0636 304 048 (NOT ILLUSTRATED) + 1 PC 0634 801 044 (NOT ILLUSTRATED) + 1 PC 0636 302 021 (NOT ILLUSTRATED) + 1 PC 0634 801 055 (NOT ILLUSTRATED) + 1 PC 0630 361 071 (NOT ILLUSTRATED)
- (6) **95531281** 1295 298 956 COMPOSED BY 6 PCS **95570574** 1297 304 436 (FIG.32/41) + 6 PCS **95570470** 0732 040 409 (FIG.33/42)
- (7) 0666 791 001 (SEAL COMPOUND) + 0501 313 379 (GASKET) ARE IN THE KIT 1304 298 914 95531145

Continued

Fig.	Our No.	Part No.	Description	Note	TP	A-R.6,57-0,74	B-R.8,49-1,00	C-R.10,24-0,74	D-R.10,25-0,79	EF-R.12,91-1,00	GH-R.12,92-1,00							
136	95532396	0734 307 287	OIL SEAL 50X100X7,5	(3)	●			■		■	■							
137		1315 334 041	PISTON	(3)				■		■	■							
138	95532549	0750 112 096	RING	(3)	■			■		■	■							
139	95532396	0734 307 287	OIL SEAL 50X100X7,5	(3)	●			■		■	■							
140		0737 006 095	NUT M16X1,5	(3)				■		■	■							
141	95531932	0634 313 338	O-RING 108X3	(3)	■			■		■	■							
142	95533738	1304 334 079	CYLINDER	(3)	■			■		■	■							
143	95530100	1240 304 278	SLIDING BLOCK	6 pcs.		■	■	■	■	■	■							
144	95530270	0732 040 385	SPRING	6 pcs.		■	■	■	■	■	■							
145	95530100	1240 304 278	SLIDING BLOCK	(3) 6 pcs.				■		■	■							
146	95530270	0732 040 385	SPRING	(3) 6 pcs.				■		■	■							
147	95530284	0732 040 386	SPRING	(3) 6 pcs.				■		■	■							
148	95530679	1272 298 934	REPAIR KIT	(3)				■		■	■							
149		0630 501 141	SEEGER RING T.3,20 MM			■	■	■	■	■	■							
149		0630 501 385	SEEGER RING T.2,90 MM			■	■	■	■	■	■							
149		0630 501 061	SEEGER RING T.4,00 MM	(3)				■		■	■							
149		0630 501 175	SEEGER RING T.3,70 MM	(3)				■		■	■							
150	95531574	0634 801 324	SPACER 30X36 DIN7603		NSS	■	■	■	■	■	■							
151		0630 302 064	WASHER			■	■	■	■	■	■							
151	95532301	0730 300 005	WASHER	(3)	■			■		■	■							
152		1304 332 041	SCREW M20X1,5			■	■	■	■	■	■							
152		1315 334 011	SCREW M24X1,5	(3)				■		■	■							
153		1304 201 081	GEARBOX HOUSING			■	■	■	■		■							
153		1304 201 082	HOUSING							■								
154		1304 333 012	BUSH	(3)				■		■	■							
155	95531281	1295 298 956	REPAIR KIT	(6)		■	■	■	■	■	■							

Notes / Note :

- (1) ONLY FOR INPUT SHAFT 1304 221 008 - 1304 221 009
- (2) ALTERNATIVE VERSION HAVING 5 IDLE PINIONS IN PLACE OF 4. **TO BE COUPLED TOGETHER**
- (3) ALTERNATIVE VERSION HAVING A DIFFERENT PLANETARY GROUP SYNCHRONIZATION. **TO BE COUPLED TOGETHER**
- (4) ONLY FOR FLANGE : 1304 338 097 - 1304 238 003 - 1304 338 109
- (5) REPLACED BY 1 PC 1304 301 360 (FIG.108) + 1 PC 0636 304 048 (NOT ILLUSTRATED) + 1 PC 0634 801 044 (NOT ILLUSTRATED) + 1 PC 0636 302 021 (NOT ILLUSTRATED) + 1 PC 0634 801 055 (NOT ILLUSTRATED) + 1 PC 0630 361 071 (NOT ILLUSTRATED)
- (6) **95531281** 1295 298 956 COMPOSED BY 6 PCS **95570574** 1297 304 436 (FIG.32/41) + 6 PCS **95570470** 0732 040 409 (FIG.33/42)
- (7) 0666 791 001 (SEAL COMPOUND) + 0501 313 379 (GASKET) ARE IN THE KIT 1304 298 914 95531145

Our Parts are not original but perfectly interchangeable with the O.E.M ones. All original equipment manufacturers' names, numbers, symbols and descriptions used in this catalogue are for reference purposes only.
 Tutti i nostri particolari non sono originali ma con essi intercambiabili. Tutti i riferimenti dei costruttori originali sono usati a semplice titolo indicativo.



9S109 Selector Mechanism

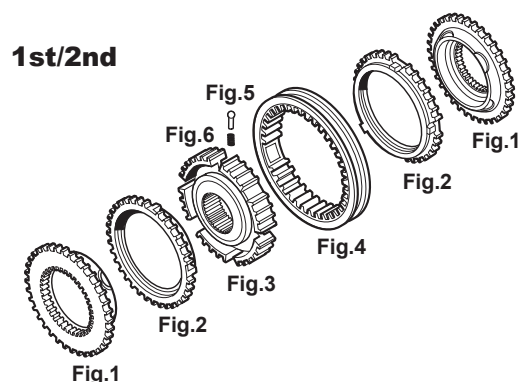
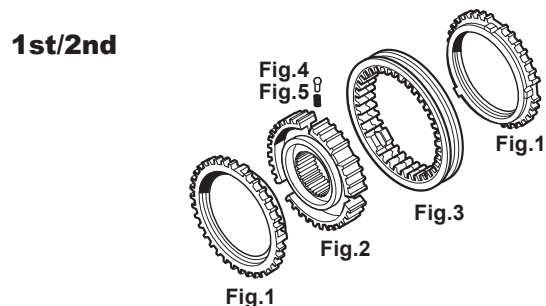
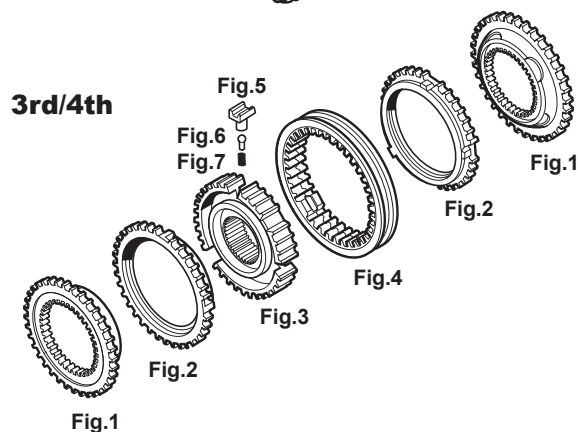
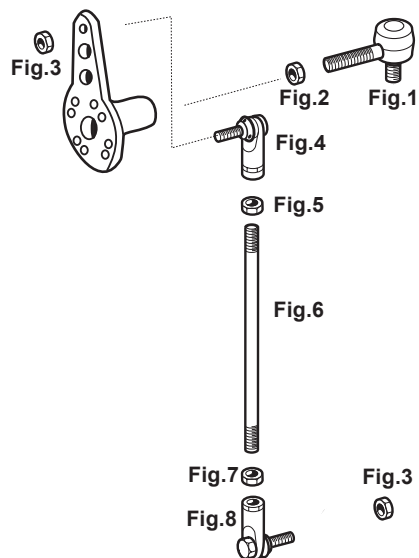
Fig.	Our No.	Part No.	TP	Description	Note
1	95531280	0501 204 714	●	BALL JOINT M14X1,5 RH	L=85 mm
2		0637 006 180		NUT	M14
3		0637 011 570		NUT	M10
4	95531251	0732 107 019	●	BALL JOINT M12X1,75 LF	L=55 mm
5		0637 006 215		NUT	M12
6		0736 620 056		ROD	
6		0736 620 067		ROD	
6		0736 620 078		CONTROL ROD	
6		0736 620 079		ROD	
7		0637 006 202		NUT	M12
8	95531279	0732 107 018	●	BALL JOINT M12X1,75 RH	L=55 mm

9S109 Kits

Fig.	Our No.	Part No.	TP	Description	Q.ty
	95531360	1304 298 971		SYNCHRONIZER KIT 3RD/4TH	
1	95570354	1304 304 660		SYNCHRONIZER CONE	2 pcs.
2	95570353	1304 304 014		SYNCHRONIZER RING	2 pcs.
3	95570488	1304 304 051		SYNCHRONIZER HUB	1 pc.
4	95570352	6002 305 515		SLIDING SLEEVE	1 pc.
5	95570080	1238 304 994		SLIDE	3 pcs.
6	95570142	1249 304 222		PIN	3 pcs.
7	95570470	0732 040 409		PRESSURE SPRING	3 pcs.

Fig.	Our No.	Part No.	TP	Description	Q.ty
		1304 204 051		SYNCHRONIZER KIT 1ST/2ND	
1	95531087	1304 304 681		SYNCHRONIZER RING	2 pcs.
2	95570662	1304 304 591		SYNCHRONIZER HUB	1 pc.
3	95570351	1304 304 597		SLIDING SLEEVE	1 pc.
4	95570574	1297 304 436		SLIDE	3 pcs.
5	95570470	0732 040 409		PRESSURE SPRING	3 pcs.

Fig.	Our No.	Part No.	TP	Description	Q.ty
		1304 298 970		SYNCHRONIZER KIT 1ST/2ND	
1	95570356	1304 304 408		SYNCHRONIZER CONE	2 pcs.
2	95531087	1304 304 681		SYNCHRONIZER RING	2 pcs.
3	95570662	1304 304 591		SYNCHRONIZER HUB	1 pc.
4	95570351	1304 304 597		SLIDING SLEEVE	1 pc.
5	95570574	1297 304 436		SLIDE	3 pcs.
6	95570470	0732 040 409		PRESSURE SPRING	3 pcs.



OPTIONS



9S109 Kits

Fig.	Our No.	Part No.	TP	Description	Q.ty
		1304 204 060		SYNCHRONIZER KIT 1ST/2ND	
1	95533669	1304 304 623	■	SYNCHRONIZER CONE	2 pcs.
2	95533296	1290 304 350	■	SYNCHRONIZER CONE	2 pcs.
3	95533299	1290 304 366		SYNCHRONIZER RING	2 pcs.
4	95533308	1290 304 438	■	SYNCHRONIZER RING	2 pcs.
5		1304 304 646		SYNCHRONIZER HUB	1 pc.
6		6002 305 994		SLIDING SLEEVE	1 pc.
7	95570643	1312 304 159		SLIDING BLOCK	3 pcs.
8	95570574	1297 304 436		SLIDE	3 pcs.
9	95570470	0732 040 409		PRESSURE SPRING	3 pcs.

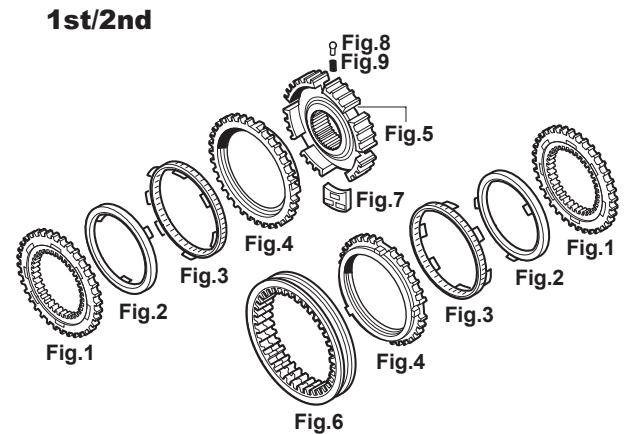


Fig.	Our No.	Part No.	TP	Description	Q.ty
	95531145	1304 298 914	●	GASKET KIT	
		0501 313 379		GASKET	1 pc.
		1304 307 437		GASKET	2 pcs.
	95531584	1290 301 140	●	GASKET	1 pc.
		0501 316 990		GASKET	1 pc.
		1304 303 297		GASKET	1 pc.
		0750 112 113		GASKET	1 pc.
	95531588	1304 307 338	●	GASKET	1 pc.
	95531589	0501 318 308	●	GASKET	2 pcs.
		1268 307 170		GASKET	2 pcs.
		1304 301 063		GASKET	1 pc.
		1304 301 109		GASKET	1 pc.
	95531593	1238 308 201	●	GASKET	1 pc.
		0666 791 001		SEAL COMPOUND	1 pc.
		1304 307 277		GASKET	1 pc.

95531145
1304 298 914

Gasket Kit

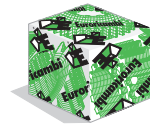
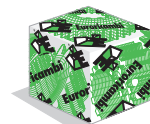
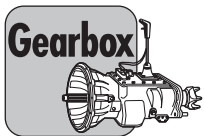


Fig.	Our No.	Part No.	TP	Description	Q.ty
	95531579	1304 298 908	●	SEAL RING KIT	
	95531580	0734 310 230	NSS	OIL SEAL 55X72X10	1 pc.
	95531581	0750 111 149	●	OIL SEAL 48X65X10	1 pc.
	95531247	0634 300 302	●	OIL SEAL 25X35X7	1 pc.
	95531248	0634 307 367	●	OIL SEAL 25X35X7/10	1 pc.
	95531564	0734 319 439	●	OIL SEAL 95X115X10	1 pc.

95531579
1304 298 908

Oil Seal Kit





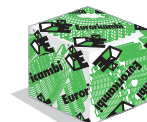
GEARBOX: 9S109

9S109 Selector Mechanism

Fig.	Our No.	Part No.	TP	Description	Q.ty
	95531146	1304 298 909	●	REPAIR KIT	
	95531565	0750 112 047	●	GASKET 22X36X14,5	1 pc.
	95531566	0734 307 296	●	RING 74X84X5	2 pcs.
	95531567	0750 145 003	■	RING 78X82,70X5,50 MM	1 pc.
	95531568	0634 801 062	■	SEAL RING 18X24 DIN7603	9 pcs.
		0634 801 044		SPACER 16X20 DIN7603	3 pcs.
		0634 801 321		SPACER 38X44 DIN7603	1 pc.
	95532153	0730 008 057	NSS	WASHER 14X19	1 pc.
	95531572	0634 801 205	NSS	SPACER 12X15,5 DIN7603	1 pc.
		0634 801 203		SPACER 16X22 DIN7603	2 pcs.
	95531574	0634 801 324	NSS	SPACER 30X36 DIN7603	1 pc.
	95532558	0634 801 151	NSS	WASHER 14X20	8 pcs.
		0634 306 169		O-RING 7X1,5	2 pcs.
	95531009	0634 316 057	●	O-RING 36,2X3	2 pcs.
	95531577	0634 313 223	■	O-RING 59,2X5,7	1 pc.
	95531578	0634 313 232	●	O-RING 95X2	1 pc.

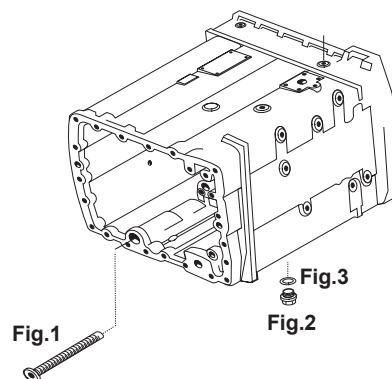
95531146
1304 298 909

Cylinder Repair Kit



9S109 Miscellaneous

Fig.	Our No.	Part No.	TP	Description	Note
1		0501 317 403		OIL FILTER	
2	95532507	0736 305 052	■	PLUG	
3		0634 801 321		SPACER 38X44 DIN7603	



OPTIONS

