

Z.F.
Gearbox

EURO

95

CATALOGUE
Z.F.

FILE

95CBM061.pdf

SIZE

2,14MB

No. PAGES

21

RELEASE

04/2007

MODELS

ECOSPLIT III 1316

16S181 R.13,80-0,84

16S181 R.16,41-1,00

Updated
2007

GROUP
Gearbox

Options

ONLY FOR CD-ROM CATALOGUES



Home



Group



Back

%

Zoom
Select



Print



Page
Search



Catalogue
Search

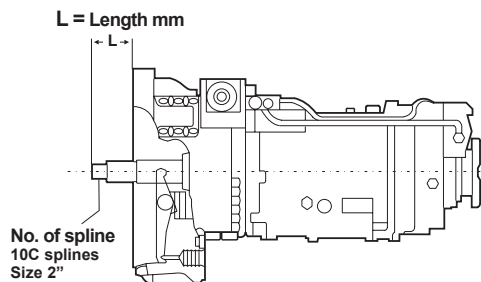


Exit

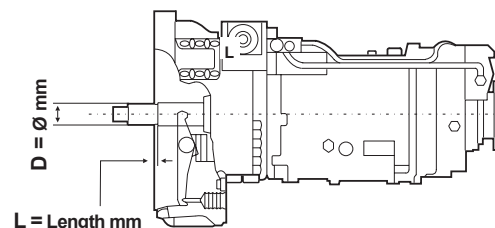


GEARBOX: 16S181

Input Shaft Technical Specification



Front Cover Technical Specification

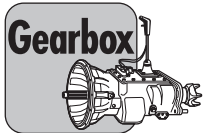


Tab 1 - Input Shaft Table

Our No.	TP	Input Shaft No.	Ratio	Teeth	Sizes	Cover No.	Clutch Type
95531207		1316 202 025	All	--	L=109 SAE 10C 2"	1315 302 075	
						1315 302 136	F&S MFZ430
						1315 302 136	VALEO 430DTE
95531494		1316 202 026	All	--	L=117 SAE 10C 2"	1315 302 072	
		1316 202 027	All	--	L=123 SAE 10C 2"	1315 302 124	F&S GMFZ2/380
		1316 202 031	All	--	L=109 SAE 10C 2"	1315 302 141	DANA SP. 1552SA
95531497	■	1316 202 038	All	--	L=109 SAE 10C 2"	1315 302 136	F&S MFZ430
		1316 202 039	All	--	L=98,5 SAE 10C 2"	1315 302 141	DANA SP. 1552SA
		1316 221 017	All	--	L=109 SAE 10C 2"		F&S MFZ430

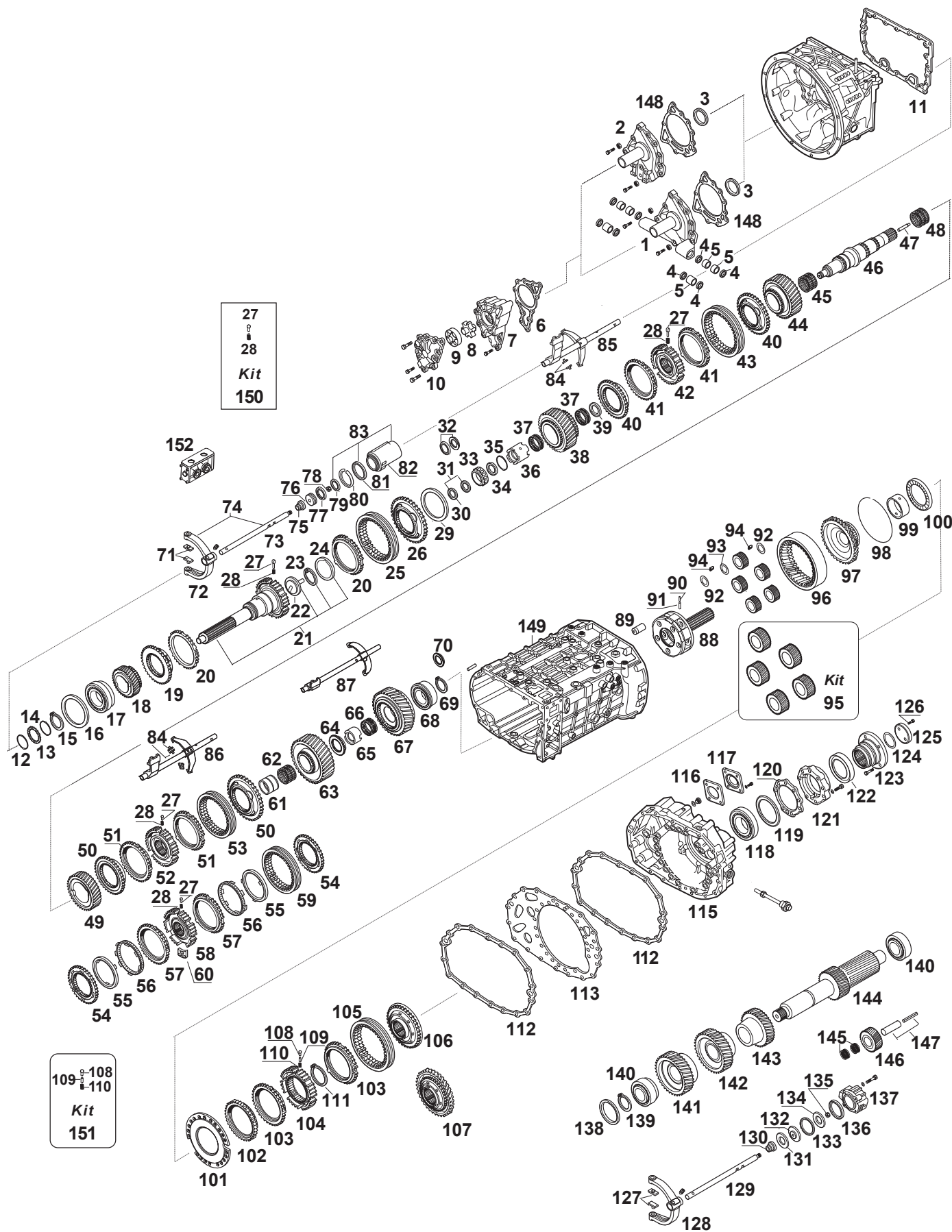
Tab 2 - Front Cover Table

Fig.	Our No. TP	Cover No.	Input Shaft No.	Ratio	Sizes	Clutch Type
1		1315 302 072	1316 202 026	All	L=3 D=62,61	
1		1315 302 124	1316 202 027	All	L=7 D=66	F&S GMFZ2/380
1		1315 302 141	1316 202 031	without tube	L=134	DANA SP. 1552SA
			1316 202 039	without tube	L=134	DANA SP. 1552SA
2		1315 302 075	1316 202 025	All	L=7 D=60	
2		1315 302 136	1316 202 025	All	L=7 D=60	F&S MFZ430
			1316 202 025	All	L=7 D=60	VALEO 430DTE
			1316 202 038	All	L=7 D=60	F&S MFZ430



GEARBOX: 16S181

OPTIONS



27
28
Kit
150

Kit
95

109-108
110
Kit
151



Fig.	Our No.	Part No.	Description	Note	TP	AB-R.13,80-0,84	CD-R.16,41-1,00													
1			SEE TAB 2 FRONT COVER																	
2			SEE TAB 2 FRONT COVER																	
3	95531973	0734 310 387	OIL SEAL 55X75X8		●	■	■													
3		0734 319 514	OIL SEAL 52X72X8	(3)		■	■													
4	95531678	0501 312 738	OIL SEAL 30X37X4		●	■	■													
5	95532298	0730 260 398	BUSH		■	■	■													
6	95531687	0501 314 747	PAPER GASKET		■	■	■													
7	95531625	1315 302 121	BODY PUMP OIL		■	■	■													
8	95531143	1314 202 039	PUMP SHAFT		■	■	■													
9	95530070	1315 303 027	ROTOR		■	■	■													
10	95531624	1315 302 120	PUMP COVER		■	■	■													
11	95534149	1315 301 233	GASKET		NSS	■	■													
12		0730 150 766	WASHER S.3,30 MM			■	■													
13		1315 302 040	SHIM			■	■													
14		0730 150 766	WASHER S.3,30 MM			■	■													
15		0730 501 598	SEEGER RING			■	■													
16		0730 007 486	SPACER T.2,00 MM			■	■													
16		0730 007 134	SPACER T.1,50 MM			■	■													
16		2050 309 065	SPACER T.1,00 MM			■	■													
17	98530232	0750 117 732	BEARING 85X150X30,5		●	■	■													
18	95531491	1316 302 057	CONSTANT GEAR 35 T.	AB	■	■														
18	95531492	1316 302 066	CONSTANT GEAR 30 T.	CD			■													
19	95570220	1312 304 027	SYNCHRONIZER CONE			■	■													
20	95570202	1297 304 402	SYNCHRONIZER RING	OLD TYPE		■	■													
20	95531072	1297 304 484	SYNCHRONIZER RING	NEW TYPE		■	■													
21		1316 221 017	INPUT SHAFT			■	■													
21	95531207	1316 202 025	INPUT SHAFT 57 T.			■	■													
21	95531494	1316 202 026	INPUT SHAFT 57 T.			■	■													
21		1316 202 027	INPUT SHAFT			■	■													
21		1316 202 031	INPUT SHAFT			■	■													
21	95531497	1316 202 038	INPUT SHAFT		■	■	■													
21		1316 202 039	INPUT SHAFT			■	■													
22	95570681	1315 302 196	TUBE		NSS	■	■													
23	95570682	0630 502 027	SEEGER RING DIN472 50X2		NSS	■	■													
24	95570683	0501 314 060	DIAPHRAGM		●	■	■													

Notes / Note :

- (A) SHORT TRAVEL SYNCHRO - RATIO 13,80-0,84
- (B) DOUBLE CONE SYNCHRO - RATIO 13,80-0,84
- (C) SHORT TRAVEL SYNCHRO - RATIO 16,41-1,00
- (D) DOUBLE CONE SYNCHRO - RATIO 16,41-1,00
- (1) SPECIAL VERSION. TO BE COUPLED TOGETHER
- (2) DO NOT USE WITH SPECIAL VERSION NOTE (1).
- (3) ONLY FOR INPUT SHAFT 1316 221 017
- (4) REPLACED BY 1 PC 1315 305 009 + 1 PC 0631 329 296 (not illustrated)
- (*)-(@)-(\$)-(&) TO BE COUPLED TOGETHER

Continued

Fig.	Our No.	Part No.	Description	Note	TP	AB-R. 13,80-0,84	CD-R. 16,41-1,00													
25	95570219	1310 304 202	SLIDING SLEEVE 3RD/4TH SP			■	■													
26	95570241	1312 304 056	SYNCHRONIZER CONE			■	■													
27	95570574	1297 304 436	SLIDE	3 pcs.		■	■													
28	95570470	0732 040 409	PRESSURE SPRING	3 pcs.		■	■													
29		0730 007 747	LOCK RING T.3,00 MM			■	■													
29		0730 006 171	LOCK RING T.3,50 MM			■	■													
30	95531369	0730 062 781	LOCK RING		■	■	■													
31		1312 204 040	RING			■	■													
32		0730 107 019	SPLIT RING T.4,60 MM	OLD		■	■													
32		1499 298 023	SPLIT RING T.4,60 MM	NEW		■	■													
32	95531559	0730 107 023	SPLIT RING T.5,00 MM	OLD	■	■	■													
32		1499 298 027	SPLIT RING T.5,00 MM	NEW		■	■													
33	98530174	0750 117 232	NEEDLE BEARING 42X40,3		●	■	■													
34		1315 304 043	WASHER S.7,50 MM			■	■													
34		1315 304 048	WASHER S.8,00 MM			■	■													
35		0750 101 158	WASHER			■	■													
36		0750 119 124	RING 67X77X66,1			■	■													
37	98530350	0750 115 531	NEEDLE BEARING 77X101X29		■	■	■													
38	95531499	1316 304 103	GEAR 4TH L/S 32 T			■	■													
39		0750 101 158	WASHER			■	■													
40	95570220	1312 304 027	SYNCHRONIZER CONE			■	■													
40	95531631	1316 304 145	SYNCHRONIZER CONE 3RD/4TH (*)			■	■													
40	95534409	1316 304 159	SYNCHRONIZER CONE 3RD/4TH (@)			■	■													
41	95570202	1297 304 402	SYNCHRONIZER RING	OLD TYPE		■	■													
41	95531072	1297 304 484	SYNCHRONIZER RING	NEWTYPE		■	■													
41	95531628	1316 304 149	SYNCHRONIZER RING	(*)	●	■	■													
41	95534389	1316 304 168	SYNCHRONIZER RING	(@)	●	■	■													
42	95570839	1312 304 052	SYNCHRONIZER HUB 3RD/4TH			■	■													
42	95531633	1316 304 147	SYNCHRONIZER HUB 3RD/4TH (*)			■	■													
42	95534410	1316 304 162	SYNCHRONIZER HUB 3RD/4TH (@)			■	■													
43	95570219	1310 304 202	SLIDING SLEEVE 3RD/4TH SP			■	■													
43	95531632	1315 304 135	SLIDING SLEEVE	(*)		■	■													
43	95532442	1316 304 167	SLIDING SLEEVE	(@)	●	■	■													
44	95531500	1316 304 094	GEAR 3RD 34 T.			■	■													
45	98530345	0750 115 303	NEEDLE BEARING 92X100X63		■	■	■													

Notes / Note :

- (A) SHORT TRAVEL SYNCHRO - RATIO 13,80-0,84
- (B) DOUBLE CONE SYNCHRO - RATIO 13,80-0,84
- (C) SHORT TRAVEL SYNCHRO - RATIO 16,41-1,00
- (D) DOUBLE CONE SYNCHRO - RATIO 16,41-1,00
- (1) SPECIAL VERSION. TO BE COUPLED TOGETHER
- (2) DO NOT USE WITH SPECIAL VERSION NOTE (1).
- (3) ONLY FOR INPUT SHAFT 1316 221 017
- (4) REPLACED BY 1 PC 1315 305 009 + 1 PC 0631 329 296 (not illustrated)
- (*)-(@)-(\$)-(&) TO BE COUPLED TOGETHER

Continued

Our Parts are not original but perfectly interchangeable with the O.E.M ones. All original equipment manufacturers' names, numbers, symbols and descriptions used in this catalogue are for reference purposes only.

Tutti i nostri particolari non sono originali ma con essi intercambiabili. Tutti i riferimenti dei costruttori originali sono usati a semplice titolo indicativo.

Fig.	Our No.	Part No.	Description	Note	TP	AB-R. 13,80-0,84	CD-R. 16,41-1,00												
46	95531501	1316 304 132	MAIN SHAFT			■	■												
47	95531608	1312 304 150	PIPE		■	■	■												
48	98530345	0750 115 303	NEEDLE BEARING 92X100X63		■	■	■												
49	95531502	1316 304 002	M/S GEAR 2ND SPEED 38 T			■	■												
50	95570224	1313 304 009	SYNCHRONIZER CONE	AC		■	■												
50	95531630	1316 304 146	SYNCHRONIZER CONE 1ST/2ND	(S)		■	■												
50	95534407	1316 304 156	SYNCHRONIZER CONE 1ST/2ND	(&)		■	■												
51	95570217	1297 304 401	SYNCHRONIZER RING	AC-OLD T.		■	■												
51	95531085	1297 304 485	SYNCHRONIZER RING	AC-NEW T.		■	■												
51	95531629	1316 304 150	SYNCHRONIZER RING RH	(S)		■	■												
51	95534388	1316 304 170	SYNCHRONIZER RING LH	(&)	●	■	■												
52	95570896	1313 304 008	SYNCHRONIZER HUB	AC		■	■												
52	95531634	1316 304 148	SYNCHRONIZER HUB 1ST/2ND	(S)		■	■												
52	95534408	1316 304 163	SYNCHRONIZER HUB 1ST/2ND	(&)		■	■												
53	95570218	1316 304 078	SLIDING SLEEVE 1ST/2ND	AC		■	■												
53	95531627	1315 304 136	SLIDING SLEEVE	(S)		■	■												
53	95534379	1316 304 169	SLIDING SLEEVE	(&)	●	■	■												
54	95570642	1312 304 106	SYNCHRONIZER CONE	BD		■	■												
55	95570599	1268 304 424	SYNCHRONIZER CONE	BD		■	■												
56	95570600	1268 304 494	SYNCHRONIZER RING	BD	●	■	■												
57	95570601	1268 304 525	SYNCHRONIZER RING	BD		■	■												
58	95570551	1312 304 158	SYNCHRONIZER HUB	BD		■	■												
59	95570555	1310 304 175	SLIDING SLEEVE	BD		■	■												
60	95570643	1312 304 159	SLIDING BLOCK	BD		■	■												
61	95530417	1312 304 084	BUSH		■	■	■												
62	98530348	0750 115 327	NEEDLE BEARING 96X104X72		■	■	■												
63	95531503	1316 304 010	GEAR 1ST 47 T.			■	■												
64	95534081	1312 304 124	FOLLOWER RING		■	■	■												
65	95530433	1316 304 133	BUSH		■	■	■												
66	98530347	0750 115 326	NEEDLE BEARING 90X98X50		■	■	■												
67	95531504	1316 304 012	REVERSE GEAR 44 T.			■	■												
68	98530352	0750 117 678	BEARING 80X140X36,5		■	■	■												
69		0630 501 316	SEEGER RING T.3,50 MM			■	■												
69		0630 501 312	SEEGER RING T.3,10 MM			■	■												
70	95534371	1316 332 109	RING S.27,00 MM			■	■												

Notes / Note :

- (A) SHORT TRAVEL SYNCHRO - RATIO 13,80-0,84
- (B) DOUBLE CONE SYNCHRO - RATIO 13,80-0,84
- (C) SHORT TRAVEL SYNCHRO - RATIO 16,41-1,00
- (D) DOUBLE CONE SYNCHRO - RATIO 16,41-1,00
- (1) SPECIAL VERSION. TO BE COUPLED TOGETHER
- (2) DO NOT USE WITH SPECIAL VERSION NOTE (1).
- (3) ONLY FOR INPUT SHAFT 1316 221 017
- (4) REPLACED BY 1 PC 1315 305 009 + 1 PC 0631 329 296 (not illustrated)
- (*)-(A)-(&)-(&) TO BE COUPLED TOGETHER

Continued

Fig.	Our No.	Part No.	Description	Note	TP	AB-R. 13,80-0,84	CD-R. 16,41-1,00												
70		1315 332 054	FOLLOWER RING			■	■												
70	95534373	1315 332 073	RING S.18,00 MM			■	■												
71	95570365	1297 306 120	SLIDE			■	■												
72		1315 312 017	FORK			■	■												
73		1316 312 016	TIE ROD			■	■												
74		1316 212 004	FORK ASSY			■	■												
75	95532553	0750 112 131	OIL SEAL 25X40X15		●	■	■												
76		1315 312 020	PISTON			■	■												
77	95532555	0750 112 177	RING 55X63X9,4		■	■	■												
78		0737 006 095	NUT M16X1,5			■	■												
79	95531931	0634 313 320	O-RING 67X3		■	■	■												
80	95534205	1315 312 034	SPRING		■	■	■												
81	95531923	0634 313 018	O-RING 82X3		■	■	■												
82		1316 312 015	CYLINDER			■	■												
83		1316 212 007	CYLINDER ASSY			■	■												
84	95570365	1297 306 120	SLIDE			■	■												
85		1316 206 018	FORK			■	■												
86		1316 206 025	FORK	OLD TYPE		■	■												
86		1316 206 033	FORK	NEWTYPE		■	■												
87	95534232	1316 206 013	FORK		◆	■	■												
88	95531505	1316 232 019	PLANET CARRIER			■	■												
88		1315 232 016	PLANET CARRIER	(1)		■	■												
89	95534252	1316 332 096	PIN	5 pcs.		■	■												
89	95534217	1315 332 053	PIN	5 pcs.(1)		■	■												
90	95570208	0631 329 167	LOCK PIN 3X28	5 pcs.	■	■	■												
91	95570209	0631 329 051	LOCK PIN 5X28	5 pcs.	■	■	■												
92	95532270	0730 109 323	THRUST WASHER	10 pcs.(2)	■	■	■												
93	95532269	0730 109 309	WASHER	5 pcs.	●	■	■												
93	95570210	0730 107 168	SHIM 1,00 MM	15 pcs.(1)	■	■	■												
94	95570722	0750 119 116	NEEDLE D.10X16,8	140 pcs.	●	■	■												
95	95531506	1316 232 011	GEAR SET 28 T. (5 PCS)			■	■												
95	95531490	1315 232 010	GEAR SET 28 T. (5 PCS)	(1)		■	■												
96	95531485	1315 332 041	HELICAL RING GEAR 82 T.		■	■	■												
97	95531486	1316 332 103	CARRIER HUB			■	■												
98		0730 513 583	RETAINER RING			■	■												

Notes / Note :

- (A) SHORT TRAVEL SYNCHRO - RATIO 13,80-0,84
- (B) DOUBLE CONE SYNCHRO - RATIO 13,80-0,84
- (C) SHORT TRAVEL SYNCHRO - RATIO 16,41-1,00
- (D) DOUBLE CONE SYNCHRO - RATIO 16,41-1,00
- (1) SPECIAL VERSION. TO BE COUPLED TOGETHER
- (2) DO NOT USE WITH SPECIAL VERSION NOTE (1).
- (3) ONLY FOR INPUT SHAFT 1316 221 017
- (4) REPLACED BY 1 PC 1315 305 009 + 1 PC 0631 329 296 (not illustrated)
- (*)-(@)-(\$)-(&) TO BE COUPLED TOGETHER

Continued

Fig.	Our No.	Part No.	Description	Note	TP	AB-R. 13,80-0,84	CD-R. 16,41-1,00												
99		1316 333 014	INTERMEDIATE RING			■	■												
100	98530317	0735 298 169	BEARING 104,5X128,4X10		■	■	■												
101	95531283	1296 333 046	SYNCHRONIZER CONE		◆	■	■												
102	95531282	1296 333 050	SYNCHRONIZER CONE			■	■												
103	95530648	1296 333 022	SYNCHRONIZER RING	OLD TYPE		■	■												
103	95531084	1296 333 045	SYNCHRONIZER RING	NEW TYPE		■	■												
104	95570993	1313 333 001	SYNCHRONIZER HUB			■	■												
105	95530649	1296 333 023	SLIDING SLEEVE			■	■												
106	95531284	1316 233 015	SYNCHRONIZER CONE			■	■												
107	95531295	1316 233 014	RETARDER GEAR 59 T.			■	■												
108	95530100	1240 304 278	SLIDING BLOCK	9 pcs.		■	■												
109	95530284	0732 040 386	SPRING	9 pcs.		■	■												
110	95530270	0732 040 385	SPRING	9 pcs.		■	■												
111		0630 501 175	SEEGER RING T.3,70 MM			■	■												
111		0630 501 061	SEEGER RING T.4,00 MM			■	■												
112	95534242	1316 301 042	GASKET		●	■													
112	95534420	1315 301 095	INTARDER GASKET		●	■	■												
113		1315 301 118	SHEET STEEL			■	■												
115		1315 301 224	COVER	OLD		■	■												
115		1315 301 223	COVER	NEW		■	■												
116	95531593	1238 308 201	GASKET		●	■	■												
117	95531377	1304 301 034	COVER		■	■	■												
118	98530050	0750 116 002	BEARING 90X160X30		●	■	■												
119		0730 100 116	WASHER T.0,20 MM			■	■												
119	95532106	0730 003 515	WASHER T.0,60 MM		■	■	■												
120	95532554	0750 112 136	PAPER GASKET		■	■	■												
121		1315 231 002	COVER	OLD		■	■												
121		1315 301 220	COVER	NEW		■	■												
122	95532542	0750 111 341	OIL SEAL 105X130X12		●	■	■												
123		1297 333 110	OUTPUT FLANGE			■	■												
124		0634 313 805	O-RING 82X4			■	■												
125		1312 332 028	WASHER			■	■												
126		0636 011 540	SCREW M12X60			■	■												
127	95530797	1296 334 004	SLIDING BLOCK			■	■												
128		1315 334 039	FORK			■	■												

Notes / Note :

- (A) SHORT TRAVEL SYNCHRO - RATIO 13,80-0,84
- (B) DOUBLE CONE SYNCHRO - RATIO 13,80-0,84
- (C) SHORT TRAVEL SYNCHRO - RATIO 16,41-1,00
- (D) DOUBLE CONE SYNCHRO - RATIO 16,41-1,00
- (1) SPECIAL VERSION. TO BE COUPLED TOGETHER
- (2) DO NOT USE WITH SPECIAL VERSION NOTE (1).
- (3) ONLY FOR INPUT SHAFT 1316 221 017
- (4) REPLACED BY 1 PC 1315 305 009 + 1 PC 0631 329 296 (not illustrated)
- (*)-(@)-(\$)-(&) TO BE COUPLED TOGETHER

Continued

Our Parts are not original but perfectly interchangeable with the O.E.M ones. All original equipment manufacturers' names, numbers, symbols and descriptions used in this catalogue are for reference purposes only.

Tutti i nostri particolari non sono originali ma con essi intercambiabili. Tutti i riferimenti dei costruttori originali sono usati a semplice titolo indicativo.

Fig.	Our No.	Part No.	Description	Note	TP	AB-R.13,80-0,84	CD-R.16,41-1,00													
129		1316 334 005	TIE ROD	OLD		■	■													
129	95532486	1316 334 010	SELECTOR ROD	NEW		■	■													
130	95532553	0750 112 131	OIL SEAL 25X40X15		●	■	■													
131	95532397	0734 307 294	OIL SEAL 49X91X7,4		●	■	■													
132		1315 334 034	PISTON			■	■													
133	95531395	0750 112 066	RING		●	■	■													
134	95532397	0734 307 294	OIL SEAL 49X91X7,4		●	■	■													
135		0737 006 095	NUT M16X1,5			■	■													
136	95531699	0501 317 536	RING		●	■	■													
137	95534225	1315 334 056	CYLINDER		■	■	■													
138		0730 101 471	WASHER S.2,00 MM			■	■													
138		0730 100 799	WASHER S.2,50 MM			■	■													
138		0730 106 917	WASHER S.3,00 MM			■	■													
139	95530517	0630 501 148	SEEGER RING T.2,45 MM		■	■	■													
139	95530627	0630 531 064	SEEGER RING T.2,50 MM		■	■	■													
139	95530448	0630 501 114	SEEGER RING T.2,80 MM		■	■	■													
139	95530923	0630 531 065	SEEGER RING T.3,00 MM		■	■	■													
140	98530051	0750 117 009	BEARING 49,2X103,1X43,6		●	■	■													
141	95531507	1316 303 056	CONSTANT GEAR 32 T.	AB	■	■	■													
141	95531508	1316 303 055	CONSTANT GEAR 39 T.	CD		■	■													
142	95531509	1316 303 063	GEAR 4TH 35 T.			■	■													
143		1316 303 058	GEAR 3RD 26 T.			■	■													
144	95531511	1316 303 033	COUNTERSHAFT 20/17 T.			■	■													
145	98530349	0750 115 369	NEEDLE BEARING 45X57X25		■	■	■													
146	95531512	1316 305 001	REVERSE GEAR 22 T.		■	■	■													
147		1316 201 029	REVERSE PIN	OLD(4)		■	■													
147		1315 305 009	REVERSE PIN	NEW		■	■													
148	95531556	0501 314 587	GASKET		●	■	■													
149		1316 201 117	HOUSING			■	■													
149		1316 201 110	GEARBOX HOUSING			■	■													
149		1316 201 111	HOUSING			■	■													
150	95531281	1295 298 956	REPAIR KIT			■	■													
151	95531972	1295 298 933	REPAIR KIT			■	■													
152	95531665	0501 208 629	VALVE		■	■	■													
152	95531666	0501 208 630	VALVE		■	■	■													

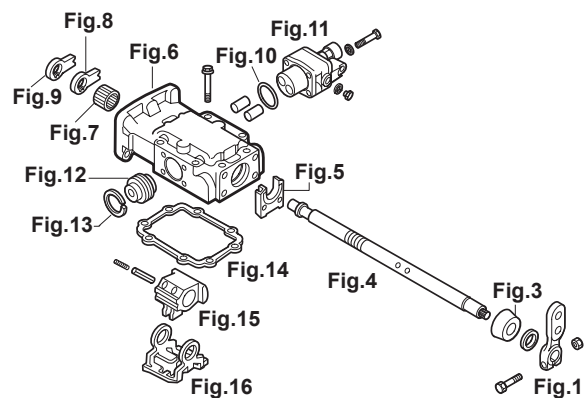
Notes / Note :

- (A) SHORT TRAVEL SYNCHRO - RATIO 13,80-0,84
- (B) DOUBLE CONE SYNCHRO - RATIO 13,80-0,84
- (C) SHORT TRAVEL SYNCHRO - RATIO 16,41-1,00
- (D) DOUBLE CONE SYNCHRO - RATIO 16,41-1,00
- (1) SPECIAL VERSION. TO BE COUPLED TOGETHER
- (2) DO NOT USE WITH SPECIAL VERSION NOTE (1).
- (3) ONLY FOR INPUT SHAFT 1316 221 017
- (4) REPLACED BY 1 PC 1315 305 009 + 1 PC 0631 329 296 (not illustrated)
- (*)-(@)-(\$)-(&) TO BE COUPLED TOGETHER



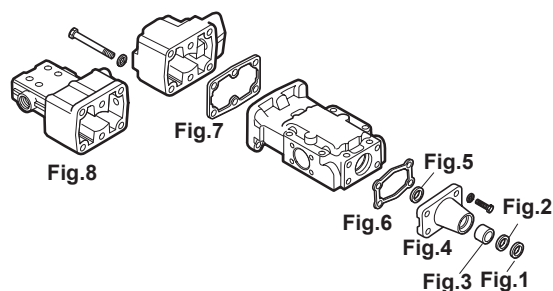
16S181 Selector Mechanism

Fig.	Our No.	Part No.	TP	Description	Note
1		6005 300 599		LEVER	
3	95532736	1238 307 411	■	COVER	
4		1315 307 094		ROD	
4		1315 307 158		ROD	
4		1315 307 184		ROD	(*)
5		1315 307 101		SUPPORT	(*)
6		1315 307 123		COVER	
7	98530219	0635 303 053	■	BEARING 25X32X20	
8		1315 307 304		BRACKET	
9		1315 307 120		BRACKET	
10	95531935	0634 313 505	●	O-RING	
11		6038 202 043		VALVE	
11		6038 202 042		VALVE	(*)
12		0501 209 212		BRACKET	
13		0630 532 130		RETAINER RING	
14	95534160	1315 307 013	●	GASKET	
15		1315 307 188		BRACKET	
16		1315 307 308		BRACKET	



(*) To be coupled together.

Fig.	Our No.	Part No.	TP	Description	Note
1	95531248	0634 307 367	●	OIL SEAL 25X35X7/10	
2	95531247	0634 300 302	●	OIL SEAL 25X35X7	
3	95570501	0730 260 330		BUSH	
4		1304 307 425		COVER	
5	95531870	0634 300 020	●	OIL SEAL 25X32X5	
6	95531589	0501 318 308	●	GASKET	
7	95534159	1315 307 012	●	GASKET	
8		1315 307 140		COVER	
8		1315 307 151		COVER	(*)



(*) To be coupled together with control rod 1315 307 184



16S181 Selector Mechanism

Fig.	Our No.	Part No.	TP	Description	Note
1	95532736	1238 307 411	■	COVER	
3		1315 307 305		BRACKET	
4		0730 063 273		BUSH	
5		1315 307 111		BRACKET	
6		1315 307 202		SHAFT	
7	98530219	0635 303 053	■	BEARING 25X32X20	
8		1315 307 197		COVER	
9		1315 307 201		GASKET	
10		1315 307 314		COVER	
11	95534160	1315 307 013	●	GASKET	
12		1315 307 188		BRACKET	
13		1315 307 308		BRACKET	
14		1315 307 209		ROD	
15		0501 209 212		BRACKET	
16		0630 532 130		RETAINER RING	
17		1306 307 006		LEVER	
18		6038 202 042		VALVE	
19	95531935	0634 313 505	●	O-RING	

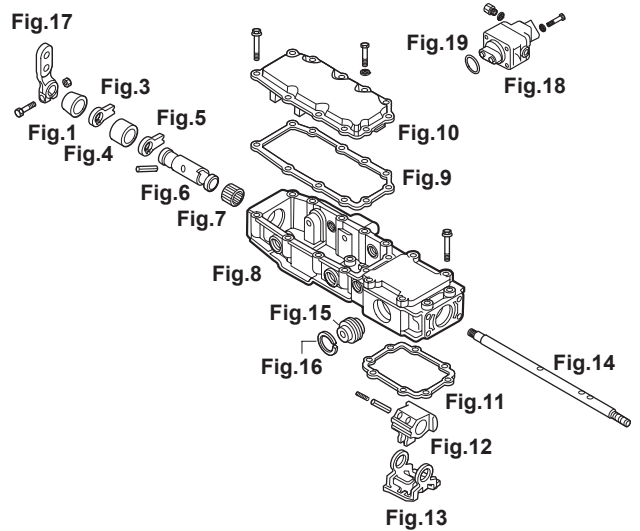
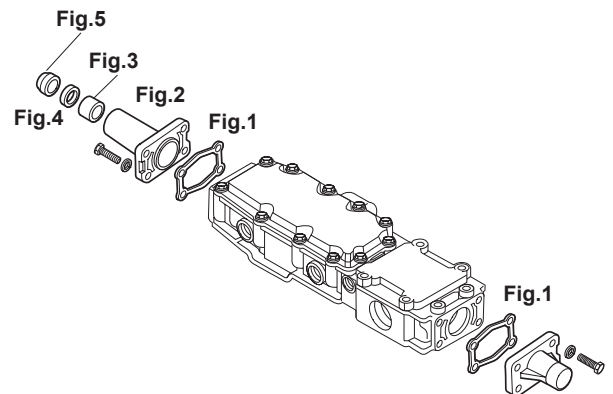
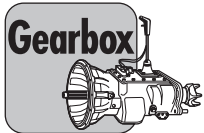


Fig.	Our No.	Part No.	TP	Description	Note
1	95531589	0501 318 308	●	GASKET	
2		1315 307 179		COVER	
3	95570501	0730 260 330		BUSH	
4	95531247	0634 300 302	●	OIL SEAL 25X35X7	
5	95531248	0634 307 367	●	OIL SEAL 25X35X7/10	





GEARBOX: 16S181

16S181 Selector Mechanism

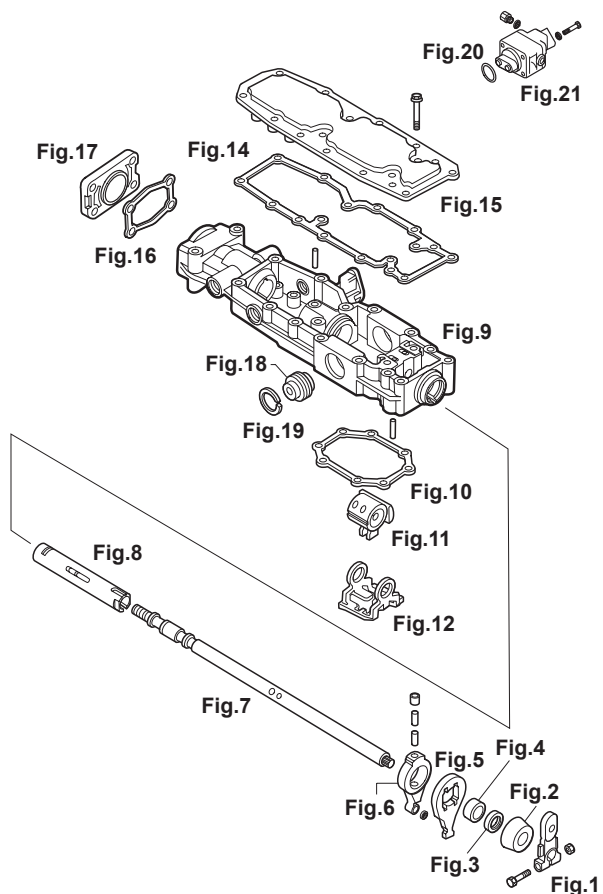
Fig.	Our No.	Part No.	TP	Description	Note
1		1315 307 299		LEVER	
2		1315 307 387		COVER	
3	95532398	0734 309 376	●	OIL SEAL 28X42X11	
4		0730 260 703		BUSH	
5		1315 307 292		DRIVER	
6		1316 208 002		DRIVER	
7		1315 307 264		ROD	
7		1315 307 343		ROD	(*)
7		1315 307 356		ROD	(*)
8		1315 307 294		TUBE	
8		1315 307 326		TUBE	(*)
9		1315 307 383		COVER	
10	95534160	1315 307 013	●	GASKET	
11		1315 307 319		DRIVER	
12		1315 307 218		SUPPORT	
14	95531696	0501 317 240	NSS	GASKET	
15		1315 307 286		COVER	
16		1315 307 366		GASKET	
17		1315 307 279		COVER	
18		0501 209 212		BRAKET	
19		0630 532 130		RETAINER RING	
20	95531935	0634 313 505	●	O-RING	
21		6038 202 043		VALVE	
21		6038 202 042		VALVE	(*)

(*) To be coupled together.

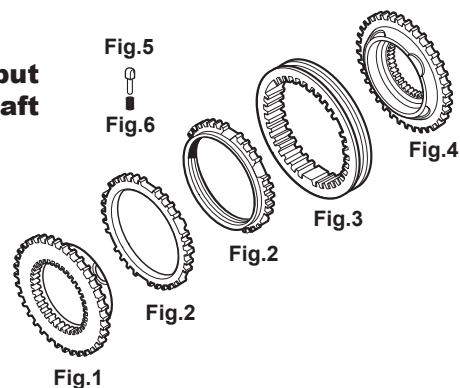
16S181 Kits

Fig.	Our No.	Part No.	TP	Description	Q.ty
	95531358	1297 298 955		SYNCHRONIZER KIT	
1	95570220	1312 304 027		SYNCHRONIZER CONE	1 pc.
2	95531072	1297 304 484		SYNCHRONIZER RING	2 pcs.
3	95570219	1310 304 202		SLIDING SLEEVE 3RD/4TH SP	1 pc.
4	95570241	1312 304 056		SYNCHRONIZER CONE	1 pc.
5	95570574	1297 304 436		SLIDE	3 pcs.
6	95570470	0732 040 409		PRESSURE SPRING	3 pcs.

SERVO



Input Shaft



16S181 Kits

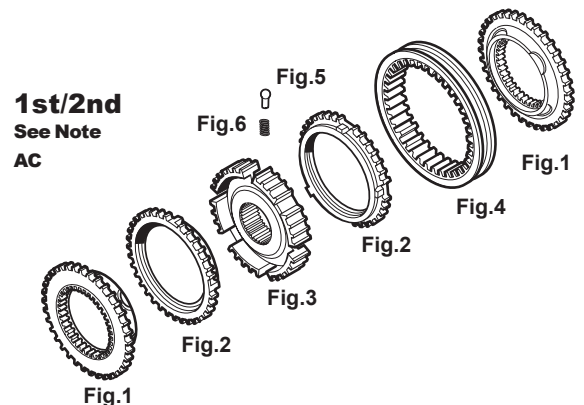
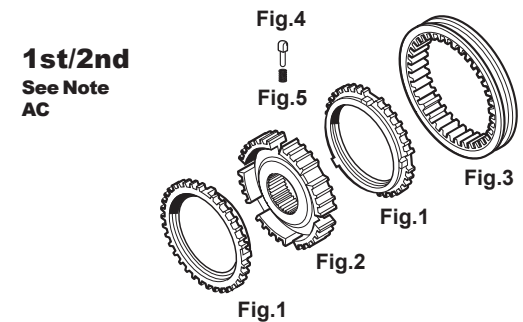
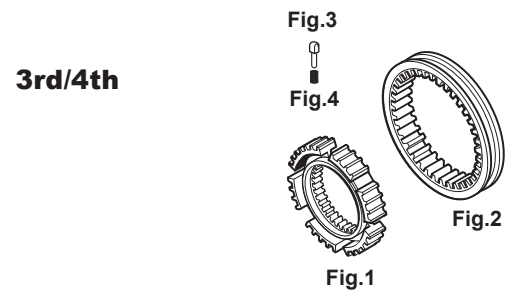
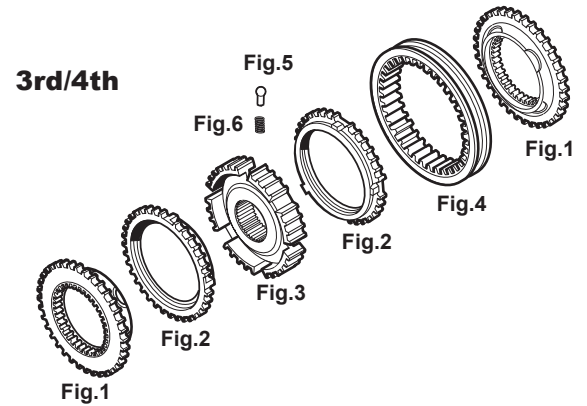
Fig.	Our No.	Part No.	TP	Description	Q.ty
	95531357	1315 298 018		SYNCHRONIZER KIT 3RD/4TH	
1	95570220	1312 304 027		SYNCHRONIZER CONE	2 pcs.
2	95531072	1297 304 484		SYNCHRONIZER RING	2 pcs.
3	95570839	1312 304 052		SYNCHRONIZER HUB 3RD/4TH	1 pc.
4	95570219	1310 304 202		SLIDING SLEEVE 3RD/4TH SP	1 pc.
5	95570574	1297 304 436		SLIDE	3 pcs.
6	95570470	0732 040 409		PRESSURE SPRING	3 pcs.

Fig.	Our No.	Part No.	TP	Description	Q.ty
	95531363	1312 204 028		SYNCHRONIZER KIT 3RD/4TH	
1	95570839	1312 304 052		SYNCHRONIZER HUB 3RD/4TH	1 pc.
2	95570219	1310 304 202		SLIDING SLEEVE 3RD/4TH SP	1 pc.
3	95570574	1297 304 436		SLIDE	3 pcs.
4	95570470	0732 040 409		PRESSURE SPRING	3 pcs.

Fig.	Our No.	Part No.	TP	Description	Q.ty
	95531364	1312 204 031		SYNCHRONIZER KIT 3RD/4TH	
1	95570220	1312 304 027		SYNCHRONIZER CONE	1 pc.
2	95531072	1297 304 484		SYNCHRONIZER RING	1 pc.

Fig.	Our No.	Part No.	TP	Description	Q.ty
	95531359	1313 204 003		SYNCHRONIZER KIT 1ST/2ND	
1	95570217	1297 304 401		SYNCHRONIZER RING	2 pcs.
2	95570896	1313 304 008		SYNCHRONIZER HUB	1 pc.
3	95570218	1316 304 078		SLIDING SLEEVE 1ST/2ND	1 pc.
4	95570574	1297 304 436		SLIDE	3 pcs.
5	95570470	0732 040 409		PRESSURE SPRING	3 pcs.

Fig.	Our No.	Part No.	TP	Description	Q.ty
		1313 298 909		SYNCHRONIZER KIT 1ST/2ND	
1	95570224	1313 304 009		SYNCHRONIZER CONE	2 pcs.
2	95570217	1297 304 401		SYNCHRONIZER RING	2 pcs.
3	95570896	1313 304 008		SYNCHRONIZER HUB	1 pc.
4	95570218	1316 304 078		SLIDING SLEEVE 1ST/2ND	1 pc.
5	95570574	1297 304 436		SLIDE	3 pcs.
6	95570470	0732 040 409		PRESSURE SPRING	3 pcs.





GEARBOX: 16S181

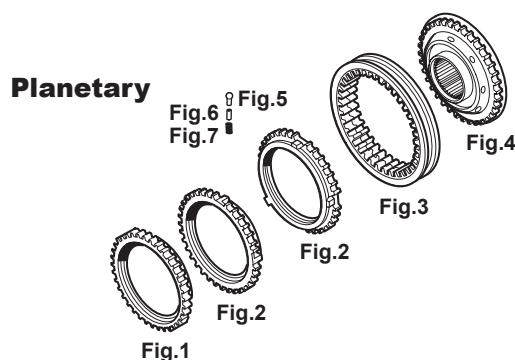
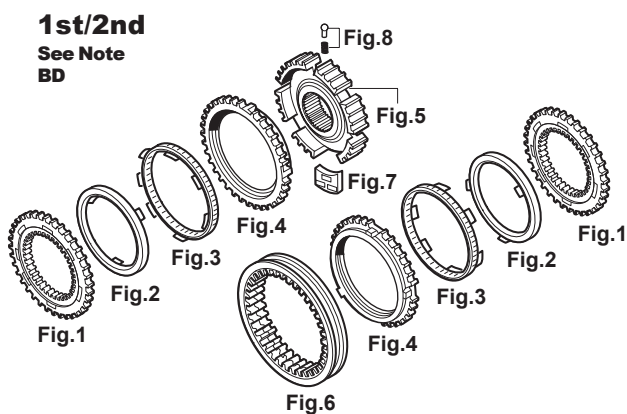
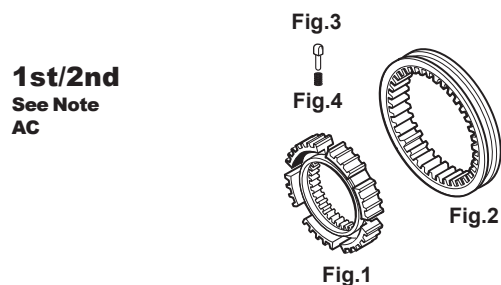
16S181 Kits

Fig.	Our No.	Part No.	TP	Description	Q.ty
	95531365	1313 204 008		SYNCHRONIZER KIT 1ST/2ND	
1	95570896	1313 304 008		SYNCHRONIZER HUB	1 pc.
2	95570218	1316 304 078		SLIDING SLEEVE 1ST/2ND	1 pc.
3	95570574	1297 304 436		SLIDE	3 pcs.
4	95570470	0732 040 409		PRESSURE SPRING	3 pcs.

Fig.	Our No.	Part No.	TP	Description	Q.ty
		1313 204 009		SYNCHRONIZER KIT 1ST/2ND	
1	95570224	1313 304 009		SYNCHRONIZER CONE	1 pc.
2	95531085	1297 304 485		SYNCHRONIZER RING	1 pc.

Fig.	Our No.	Part No.	TP	Description	Q.ty
	95534365	1312 298 911		SYNCHRONIZER KIT 1ST/2ND	
1	95570642	1312 304 106		SYNCHRONIZER CONE	2 pcs.
2	95570599	1268 304 424		SYNCHRONIZER CONE	2 pcs.
3	95570600	1268 304 494	●	SYNCHRONIZER RING	2 pcs.
4	95570601	1268 304 525		SYNCHRONIZER RING	2 pcs.
5	95570551	1312 304 158		SYNCHRONIZER HUB	1 pc.
6	95570555	1310 304 175		SLIDING SLEEVE	1 pc.
7	95570643	1312 304 159		SLIDING BLOCK	3 pcs.
8	95531281	1295 298 956		REPAIR KIT	1 pc.

Fig.	Our No.	Part No.	TP	Description	Q.ty
	95534148	1315 298 034		SYNCHRONIZER KIT	
1	95531282	1296 333 050		SYNCHRONIZER CONE	1 pc.
2	95531084	1296 333 045		SYNCHRONIZER RING	2 pcs.
3	95530649	1296 333 023		SLIDING SLEEVE	1 pc.
4	95531284	1316 233 015		SYNCHRONIZER CONE	1 pc.
5	95530100	1240 304 278		SLIDING BLOCK	9 pcs.
6	95530270	0732 040 385		SPRING	9 pcs.
7	95530284	0732 040 386		SPRING	9 pcs.



Synchronizer Kits OLD

Fig.	Our No.	Part No.	TP	Description	Q.ty
	95531705	1315 298 054		SYNCHRONIZER KIT 1ST/2ND	
1	95531630	1316 304 146		SYNCHRONIZER CONE 1ST/2ND	2 pcs.
2	95531629	1316 304 150		SYNCHRONIZER RING RH	2 pcs.
3	95531634	1316 304 148		SYNCHRONIZER HUB 1ST/2ND	1 pc.
4	95531627	1315 304 136		SLIDING SLEEVE	1 pc.
5	95570574	1297 304 436		SLIDE	3 pcs.
6	95570470	0732 040 409		PRESSURE SPRING	3 pcs.

NEW

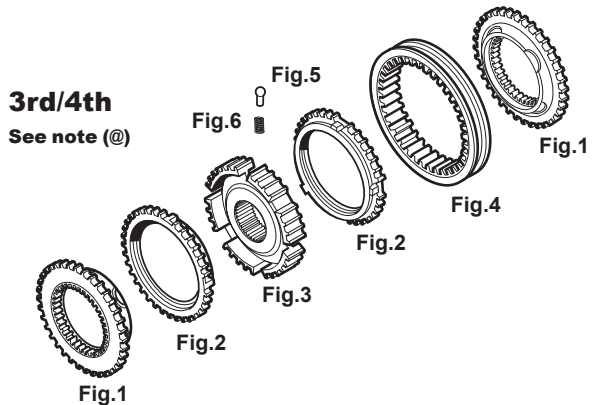
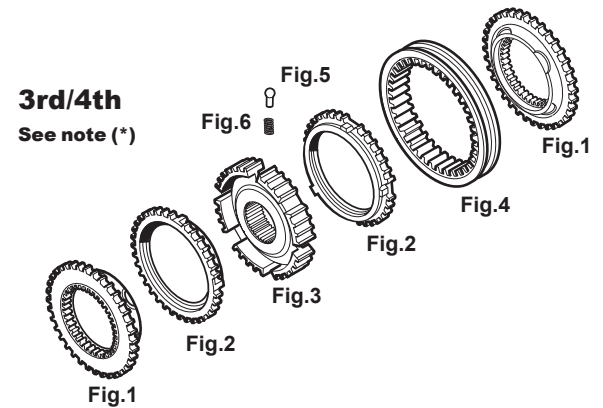
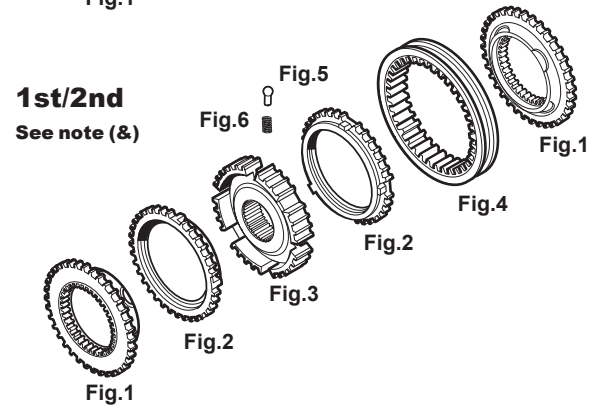
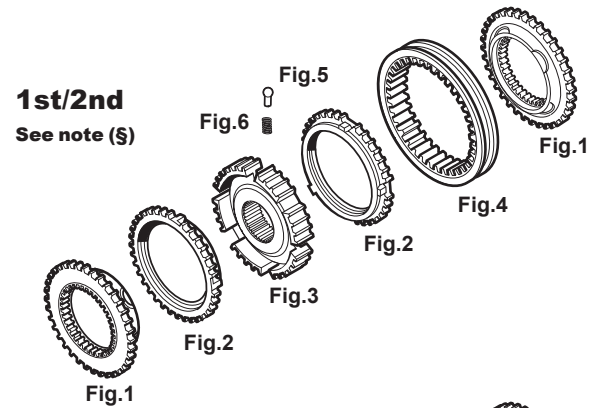
Fig.	Our No.	Part No.	TP	Description	Q.ty
	95534452	1315 298 060		SYNCHRONIZER KIT 1ST/2ND	
1	95534407	1316 304 156		SYNCHRONIZER CONE 1ST/2ND	2 pcs.
2	95534388	1316 304 170	●	SYNCHRONIZER RING LH	2 pcs.
3	95534408	1316 304 163		SYNCHRONIZER HUB 1ST/2ND	1 pc.
4	95534379	1316 304 169	●	SLIDING SLEEVE	1 pc.
5	95570574	1297 304 436		SLIDE	3 pcs.
6	95570470	0732 040 409		PRESSURE SPRING	3 pcs.

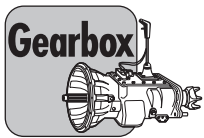
OLD

Fig.	Our No.	Part No.	TP	Description	Q.ty
	95531704	1315 298 055		SYNCHRONIZER KIT 3RD/4TH	
1	95531631	1316 304 145		SYNCHRONIZER CONE 3RD/4TH	2 pcs.
2	95531628	1316 304 149	●	SYNCHRONIZER RING	2 pcs.
3	95531633	1316 304 147		SYNCHRONIZER HUB 3RD/4TH	1 pc.
4	95531632	1315 304 135		SLIDING SLEEVE	1 pc.
5	95570574	1297 304 436		SLIDE	3 pcs.
6	95570470	0732 040 409		PRESSURE SPRING	3 pcs.

NEW

Fig.	Our No.	Part No.	TP	Description	Q.ty
	95534453	1315 298 061		SYNCHRONIZER KIT 3RD/4TH	
1	95534409	1316 304 159		SYNCHRONIZER CONE 3RD/4TH	2 pcs.
2	95534389	1316 304 168	●	SYNCHRONIZER RING	2 pcs.
3	95534410	1316 304 162		SYNCHRONIZER HUB 3RD/4TH	1 pc.
4	95532442	1316 304 167	●	SLIDING SLEEVE	1 pc.
5	95570574	1297 304 436		SLIDE	3 pcs.
6	95570470	0732 040 409		PRESSURE SPRING	3 pcs.





GEARBOX: 16S181

16S181 Kits

Fig.	Our No.	Part No.	TP	Description	Q.ty
	95531261	1315 298 001	●	GASKET KIT	
	95531556	0501 314 587	●	GASKET	1 pc.
	95531589	0501 318 308	●	GASKET	2 pcs.
	95531593	1238 308 201	●	GASKET	1 pc.
	95532480	1315 301 234	NSS	SHEET GASKET	1 pc.
	95531685	0501 314 246	NSS	GASKET	1 pc.
	95532481	1315 303 060	NSS	SHEET GASKET	1 pc.
	95531693	0501 316 146	●	GASKET	1 pc.
	95531696	0501 317 240	NSS	GASKET	1 pc.
	95532418	0666 790 040	NSS	SEAL COMPOUND	1 pc.
	95532482	1315 331 001	NSS	SHEET GASKET	1 pc.
	95532606	1315 307 242	NSS	GASKET	1 pc.
	95534149	1315 301 233	NSS	GASKET	1 pc.
	95534150	1315 301 007	NSS	GASKET	2 pcs.
	95534159	1315 307 012	●	GASKET	1 pc.
	95534160	1315 307 013	●	GASKET	1 pc.
	95534241	1316 301 022	NSS	GASKET	1 pc.
	95534242	1316 301 042	●	GASKET	2 pcs.

95531261
1315 298 001

Gasket Kit

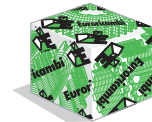
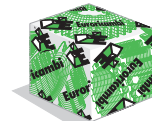


Fig.	Our No.	Part No.	TP	Description	Q.ty
	95534146	1315 298 002	●	SEAL RING KIT	
	95531678	0501 312 738	●	OIL SEAL 30X37X4	4 pcs.
	95531870	0634 300 020	●	OIL SEAL 25X32X5	1 pc.
	95531248	0634 307 367	●	OIL SEAL 25X35X7/10	1 pc.
	95532394	0734 300 196	NSS	OIL SEAL 25X35X7	1 pc.
	95532398	0734 309 376	●	OIL SEAL 28X42X11	1 pc.
	95531557	0734 310 104	●	OIL SEAL 52X68X8	1 pc.
	95532542	0750 111 341	●	OIL SEAL 105X130X12	1 pc.
	95531973	0734 310 387	●	OIL SEAL 55X75X8	1 pc.

95534146
1315 298 002

Seal Ring Kit

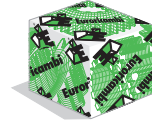


16S181 Kits

Fig.	Our No.	Part No.	TP	Description	Q.ty
95534147		1315 298 003	●	SEAL RING KIT	
		0634 312 523		RING	1 pc.
	95532555	0750 112 177	■	RING 55X63X9,4	1 pc.
	95531069	0750 112 034	●	GASKET 25X38X14,2	2 pcs.
	95532553	0750 112 131	●	OIL SEAL 25X40X15	2 pcs.
	95531395	0750 112 066	●	RING	1 pc.
	95532408	0734 317 150	●	RING 80X90X4,8	2 pcs.
	95531923	0634 313 018	■	O-RING 82X3	1 pc.
		0634 313 198		O-RING 20X3	1 pc.
	95531931	0634 313 320	■	O-RING 67X3	1 pc.
	95531699	0501 317 536	●	RING	1 pc.
	95531939	0634 314 015	●	O-RING 68X4	1 pc.
	95531943	0634 314 020	●	O-RING 8X2	4 pcs.
	95531009	0634 316 057	●	O-RING 36,2X3	2 pcs.
		0730 008 056		SEAL RING 12X17	1 pc.
95531568		0634 801 062	■	SEAL RING 18X24 DIN7603	12 pcs.
		0634 801 097		O-RING 30X36	1 pc.
		0730 009 515		SEAL RING 22X27	5 pcs.
		0734 303 046		O-RING	1 pc.
		0634 801 206		SEAL RING 24X29	5 pcs.
		0634 801 219		O-RING 16X22	2 pcs.
		0634 801 249		SEAL RING 26X31	1 pc.
		95532153	0730 008 057	NSS	WASHER 14X19
	0730 008 055		RING	1 pc.	
	0634 801 321		SPACER 38X44 DIN7603	1 pc.	
	0634 313 293		O-RING	1 pc.	
	95532397	0734 307 294	●	OIL SEAL 49X91X7,4	2 pcs.
	95531935	0634 313 505	●	O-RING	1 pc.
		0634 801 203		SPACER 16X22 DIN7603	1 pc.
		0634 313 805		O-RING 82X4	1 pc.

95534147
1315 298 003

Seal Ring Kit



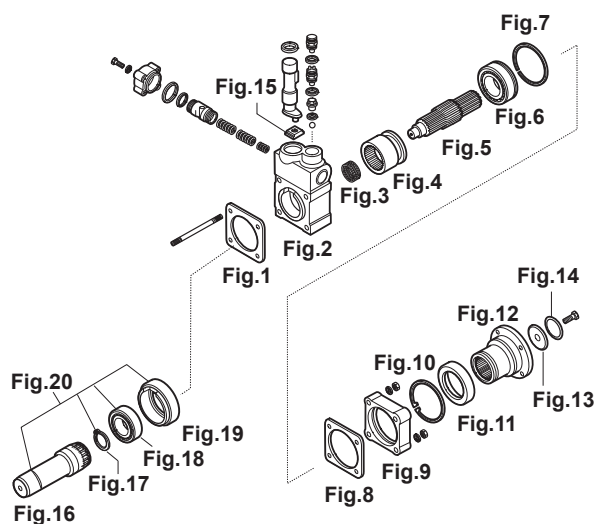


GEARBOX: 16S181

16S181 P.T.O. (Power Take Off)

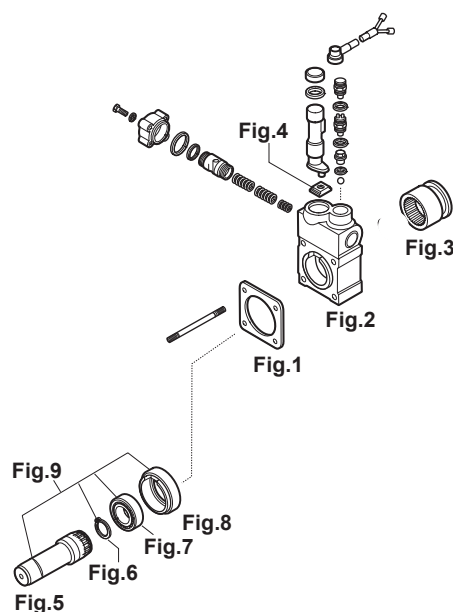
Fig.	Our No.	Part No.	TP	Description	Note
1	95531593	1238 308 201	●	GASKET	
2	95532766	1240 310 125	nss	HOUSING	
3	0735 320 120			NEEDLE BEARING 16X22X16	
4	95530892	1240 317 075		SLIDING SLEEVE	
5	95530013	1240 310 013	●	SHAFT P.T.O.	
6	0635 332 034			BEARING 40X80X18	
7	0630 503 010			LOCK RING	
8	95531593	1238 308 201	●	GASKET	
9	1238 309 067			COVER	
10	95570130	0630 502 039	nss	ELASTIC RING	
11	95532409	0734 319 046	■	OIL SEAL 55X80X8	
12	1296 213 003			FLANGE	
13	95570120	1238 310 015	nss	WASHER	
14	0634 306 234			O-RING 32X2,5	
15	95570118	1238 317 058		SLIDE	
16	95570378	1297 203 005		SHAFT P.T.O. 12 T.	
17	95570191	0630 531 055		SEEGER RING T.1,50 MM	
18	98530103	0635 331 390	●	BEARING 45X75X16	
19	95531058	1295 338 083		BUSH	
20	95570017	1295 142 011		REPAIR KIT	

N71/1B



N71/1C

Fig.	Our No.	Part No.	TP	Description	Note
1	95531593	1238 308 201	●	GASKET	
2	95532766	1240 310 125	nss	HOUSING	
3	95530892	1240 317 075		SLIDING SLEEVE	
4	95570118	1238 317 058		SLIDE	
5	95570378	1297 203 005		SHAFT P.T.O. 12 T.	
6	95570191	0630 531 055		SEEGER RING T.1,50 MM	
7	98530103	0635 331 390	●	BEARING 45X75X16	
8	95531058	1295 338 083		BUSH	
9	95570017	1295 142 011		REPAIR KIT	

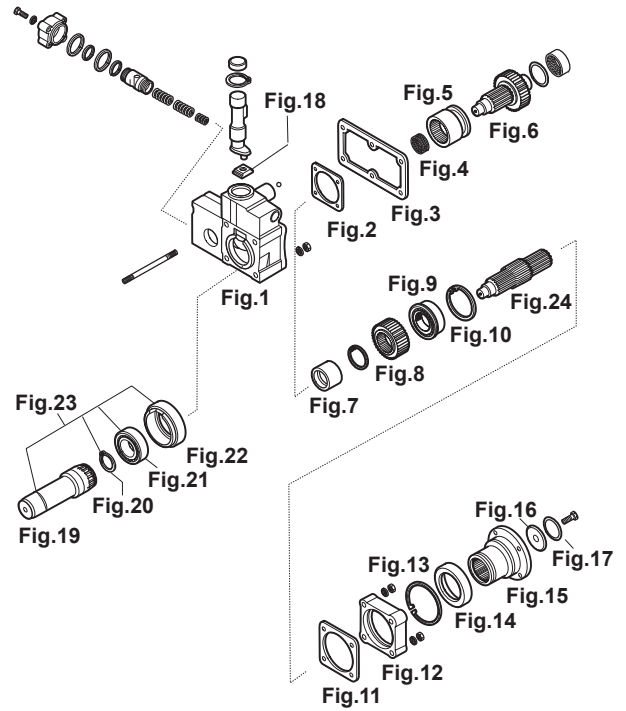


16S181 P.T.O. (Power Take Off)

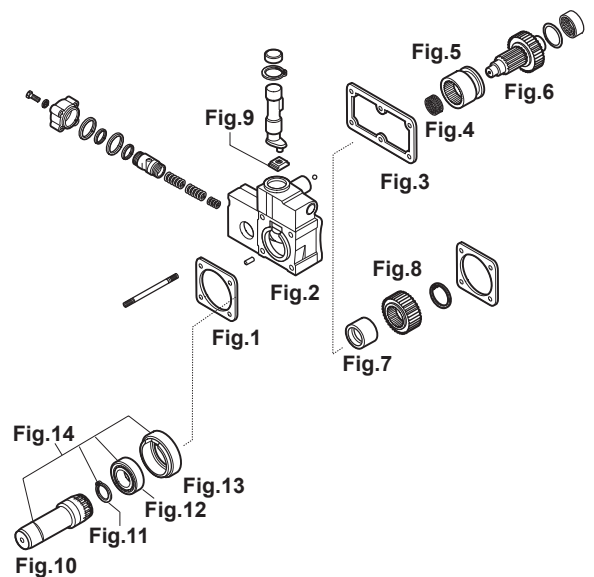
Fig.	Our No.	Part No.	TP	Description	Note
1		1240 217 091		HOUSING	
2	95531593	1238 308 201	●	GASKET	
3		1313 317 001		GASKET	
4		0735 320 120		NEEDLE BEARING 16X22X16	
5	95530892	1240 317 075		SLIDING SLEEVE	
6		1240 317 004		SHAFT PTO 29 T	
7		0635 303 108		BUSH	
8	95532743	1238 317 016		GEAR PTO 22 T	
9		0635 332 034		BEARING 40X80X18	
10		0630 503 010		LOCK RING	
11	95531593	1238 308 201	●	GASKET	
12		1238 309 067		COVER	
13	95570130	0630 502 039	NSS	ELASTIC RING	
14	95532409	0734 319 046	■	OIL SEAL 55X80X8	
15		1296 213 003		FLANGE	
16	95570120	1238 310 015	NSS	WASHER	
17		0634 306 234		O-RING 32X2,5	
18	95570118	1238 317 058		SLIDE	
19	95570378	1297 203 005		SHAFT P.T.O. 12 T.	
20	95570191	0630 531 055		SEEGER RING T.1,50 MM	
21	98530103	0635 331 390	●	BEARING 45X75X16	
22	95531058	1295 338 083		BUSH	
23	95570017	1295 142 011		REPAIR KIT	
24		1204 317 015		SHAFT	

Fig.	Our No.	Part No.	TP	Description	Note
1	95531593	1238 308 201	●	GASKET	
2		1240 217 091		HOUSING	
3		1313 317 001		GASKET	
4		0735 320 120		NEEDLE BEARING 16X22X16	
5	95530892	1240 317 075		SLIDING SLEEVE	
6		1240 317 004		SHAFT PTO 29 T	
7		0730 361 003		BUSH	
8	95532743	1238 317 016		GEAR PTO 22 T	
9	95570118	1238 317 058		SLIDE	
10	95570378	1297 203 005		SHAFT P.T.O. 12 T.	
11	95570191	0630 531 055		SEEGER RING T.1,50 MM	
12	98530103	0635 331 390	●	BEARING 45X75X16	
13	95531058	1295 338 083		BUSH	
14	95570017	1295 142 011		REPAIR KIT	

N71/2B



N71/2C



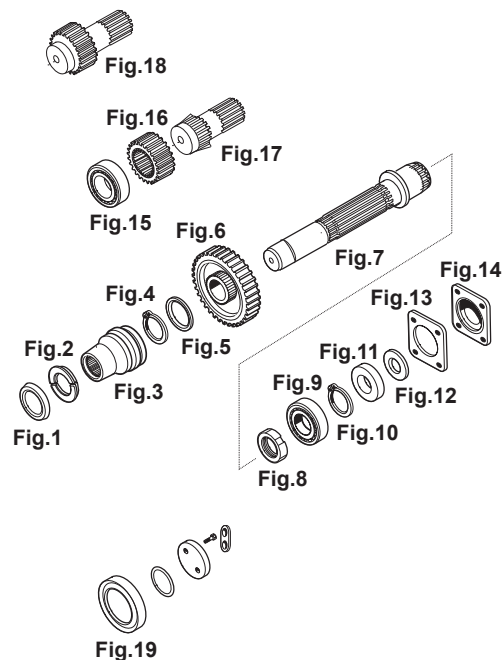


GEARBOX: 16S181

16S181 P.T.O. (Power Take Off)

Fig.	Our No.	Part No.	TP	Description	Note
1		1296 313 131		RING	
2		0730 104 627		RING	
3		1296 313 238		SLEEVE	
4		0630 531 133		LOCK RING	
5		0730 104 628		WASHER	
6		1296 313 082		GEAR 33 T	(A)
6		1296 313 083		GEAR 36 T	(B)
6		1296 313 084		GEAR 38 T	(C)
6		1296 313 085		GEAR 39 T	(D)
6		1296 313 086		GEAR 46 T	(E)
7	95531016	1296 213 028		INPUT SHAFT 12/18 T	
8		1296 313 125		RING	
9		0735 410 139		BEARING 40X80X23	
10		0630 531 314		SEEGER RING T.2,40 MM	
10		0630 531 315		SEEGER RING T.2,30 MM	
10		0630 501 135		SEEGER RING T.2,10 MM	
10		0630 531 049		SEEGER RING T.2,00 MM	
11		7429 032 102		RING	
12		1232 304 056		SHIM 1,60 MM	
12		1232 304 054		SHIM 1,40 MM	
12		1232 304 066		SHIM 1,20 MM	
12		1232 304 062		SHIM 1,00 MM	
13		0501 315 727		GASKET	
14		1250 313 190		COVER	
15		0635 416 308		BEARING	
16		1296 313 007		GEAR 27 T	(A)
16		1296 313 008		GEAR 24 T	(B)
17		1296 313 019		SHAFT	(AB)
18		1296 313 003		SHAFT 22 T.	(C)
18		1296 313 004		SHAFT 21 T.	(D)
18		1296 313 005		SHAFT 22 T.	(E)
19	95532542	0750 111 341	●	OIL SEAL 105X130X12	

N151



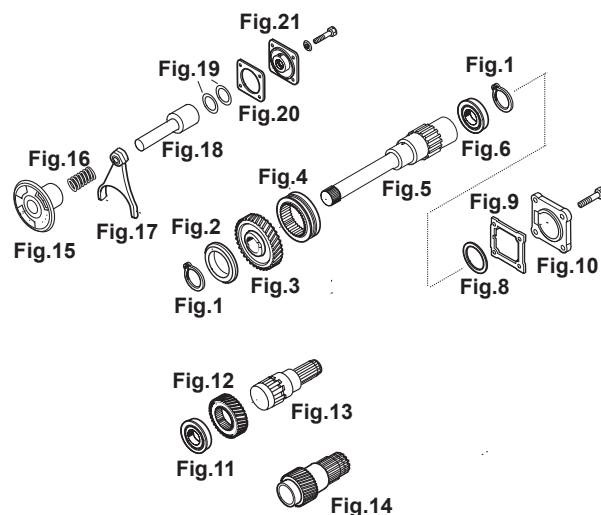
(A-B-C-D-E) To be used together.



16S181 P.T.O. (Power Take Off)

Fig.	Our No.	Part No.	TP	Description	Note
1		0730 501 275		SEEGER RING T.2,40 MM	
1		0730 501 372		SEEGER RING T.2,20 MM	
2		0730 101 140		WASHER	
3		1315 213 006		GEAR Z 37	(A)
3		1315 213 005		GEAR Z 40	(B)
3		1315 213 004		GEAR Z 44	(C)
3		1315 213 003		GEAR Z 46	(D)
4		1311 313 017		SLIDING SLEEVE	
5	95534144	1315 213 012	■	SHAFT P.T.O	
6		0735 410 139		BEARING 40X80X23	
8		0730 062 547		WASHER S.4,40 MM	
8		0730 060 893		WASHER S.3,60 MM	
9		0501 315 727		GASKET	
10		1250 313 190		COVER	
11	98530341	0635 373 021	■	BEARING 45X85X24,75	
12		1315 313 029		GEAR Z 30	(A)
12		1315 313 028		GEAR Z 27	(B)
13		1315 313 038		SHAFT P.T.O	(AB)
14		1315 313 025		SHAFT 23 T.	(C)
14		1315 313 024		SHAFT 21 T.	(D)
15		1315 313 077		COVER	
16		0732 041 323		PRESSURE SPRING	
17		1315 313 031		FORK	
18		1315 313 048		PISTON	
19		0634 316 248		O-RING	
20		0501 315 728		GASKET	
21		1315 313 049		COVER	

N 221



(A-B-C-D) To be used together.

16S181 Miscellaneous

Fig.	Our No.	Part No.	TP	Description	Note
1		0501 317 403		OIL FILTER	

