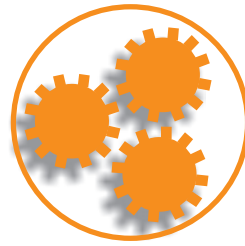


REPRINT  
2008

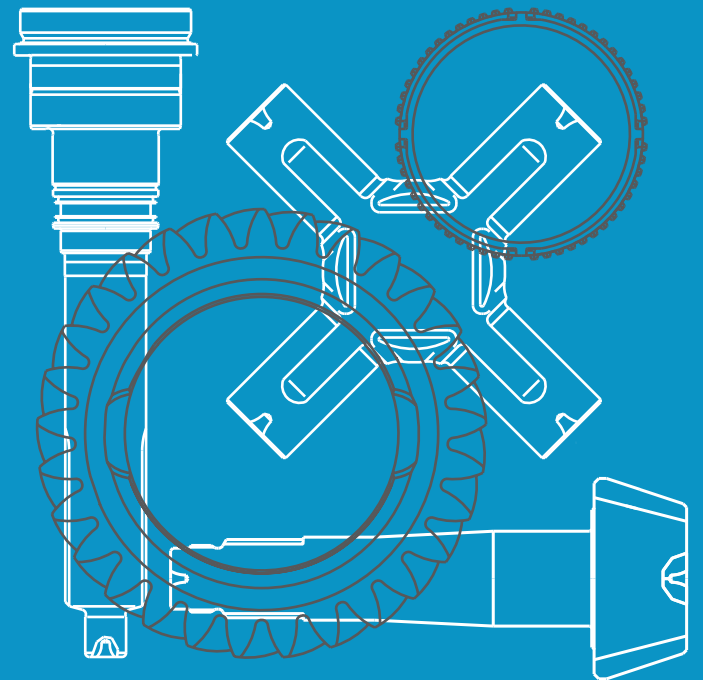


**CEI**

HIGH FIDELITY SPARE PARTS



# Z.F. Ecosplit



n°  
**195**



Aprile 2008

S P A R E P A R T S



Italia

# CERTIFICATO

Nr 50 100 3413 - Rev. 01

Si attesta che / *This is to certify that*

IL SISTEMA QUALITÀ DI  
THE QUALITY SYSTEM OF

**C.E.I.**

**COSTRUZIONE EMILIANA INGRANAGGI S.p.A.**

**SEDE PRINCIPALE:**

VIA EMILIA 239  
I-40011 ANZOLA EMILIA (BO)

**SEDE PRODUTTIVA:**

VIA DEL LAVORO 78  
I-40056 CREPELLANO (BO)

È CONFORME AI REQUISITI DELLA NORMA  
*HAS BEEN FOUND TO CONFORM TO THE REQUIREMENTS OF*

**UNI EN ISO 9001:2000**

Questo certificato è valido per il seguente campo di applicazione  
*This certificate is valid for the following product or service range*

**Progettazione, produzione e assemblaggi di parti ed  
accessori di ricambio per veicoli industriali (EA 22a)**

***Design, manufacture and assembling of spare parts and  
accessories for industrial vehicles (EA 22a)***

Data/date

2006-10-11

**SINCERT**

ACCREDITAMENTO ORGANISMI DI CERTIFICAZIONE E ISPEZIONE

SGQ N° 049A  
SGA N° 018D  
SCR N° 009F  
SSI N° 005G  
PRD N° 081B

Membro degli Accordi di Mutuo Riconoscimento EA e IAF  
Signatory of EA and IAF Mutual Recognition Agreements

Per l'Organismo di Certificazione  
For the Certification Body  
**TÜV Italia S.r.l.**

  
**Alessio Galiazzi**  
Technical Responsible



**Rinnovo del certificato emesso per la prima volta in data 2003-10-21**

*"La validità del presente certificato è subordinata a sorveglianza periodica a 12 mesi e al riesame completo del sistema di gestione aziendale con periodicità triennale"*

*"The validity of the present certificate depends on the annual surveillance every 12 months and on the complete review of company's management system after three-years."*

# ELENCO CATALOGHI DISPONIBILI PER LE SEGUENTI GAMME DI NOSTRA PRODUZIONE

LIST OF THE AVAILABLE CATALOGUES FOR THE FOLLOWING PRODUCTION LINES  
LISTE DES CATALOGUES DISPONIBLES POUR LES GAMMES DE PRODUCTION SUIVANTES  
KATALOGE FÜR DIE FOLGENDEN PRODUKTION LINIEN  
LISTADO DE LOS CATALOGOS PARA LAS LINEAS SIGUIENTES



400.001 IVECO



400.025 DAF Axles



400.050 MERCEDES



400.055 M.A.N. Axles



400.075 RENAULT V.I.



400.080 SCANIA



400.090 VOLVO



400.095 ZF Old Range



400.195 ZF Ecosplit



400.295 ZF Ecomid



400.901 Ricambi



Figures part denominations references and data contained in this catalogue are not binding.  
CEI reserves the right to introduce any changes at any time without prior notice.

Le figure, le denominazioni, i riferimenti ed i dati contenuti nel presente catalogo non sono impegnativi.  
La CEI si riserva di apportare in ogni momento e senza preavviso tutte le variazioni che riterrà opportune.

Les figures, les dénominations, les références et les spécifications contenues dans ce catalogue ne sont pas engageantes.  
La CEI se réserve le droit d'apporter à tout moment et sans préavis les variantes éventuelles qu'elle croit utiles.

Die in diesem Katalog enthalten Abbildungen, Benennungen Zeichen und Angaben sind unverbindlich.  
Die Firma CEI behält sich das Recht vor, jederzeit und ohne Viranzeige Änderungen vorzunehmen.

Las figuras, las denominaciones, las referencias y los datos contenidos en el presente catálogo no son empeñativos.  
CEI puede hacer en cada momento y sin preaviso todas las variaciones que sean oportunas.

#### **INTERCHANGEABILITY GUARANTY**

Our spare parts are interchangeable with the originals ones; our products bear our trade-mark.  
The original part numbers listed in this catalogue are for reference only.

#### **GARANZIA DI INTERCambiABILITÀ**

I nostri ricambi sono intercambiabili con gli originali; la nostra produzione riporta il nostro marchio.  
I riferimenti originali sono esposti a semplice titolo indicativo.

#### **GARANTIE D'INTERCHANGEABILITE**

Nos pieces detachees sont interchangeables avec les originaux.  
Nôtre production porte nôtre marque.  
Les numeros originaux mentionné dans ce catalogue sont seulement à titre indicatif.

#### **AUSTAUSCHBARKEITS-GARANTIE**

Unsere ersatzteile sind austauschbar mit den Originalzahnradern.  
Auf unseren Erzeugnissen ist unsere Schutzmarke aufgetragen.  
Die im gegenwärtigen Kalatolg genannten Originalnummern nur zum Hinweis dienen.

#### **GARANTIA DE INTERCambiABILIDAD**

Nuestros recambios son intercambiables con los originales.  
Todos nuestros productos, llevan grabada nuestra marca.  
Las referencias originales impresas en nuestro catalogo figuran exclusivamente a titulo indicativo.

---

**Suitable To :**

---

**ZF ÷ Mercedes**

**ZF ÷ M.a.n.**

**ZF ÷ Iveco**

**ZF ÷ Renault V.I.**

**ZF ÷ Daf**

**ZF ÷ Volvo**

All original equipment manufacturers numbers, symbols, pictures, models and description used in this catalogue are for reference only, and it is not implied that any part listed is the product of these manufactures.  
Tutti i nostri particolari non sono originali ma con essi intercambiabili. I riferimenti originali, le figure, i modelli sono esposti a semplice titolo indicativo. La nostra produzione riporta il nostro marchio.

Suitable to: **Mercedes**

---

# Gearboxes Index

**MERCEDES**  
INDEX

## **EcoSplit I**

**16K130**

**16K160**

**16K190**

**16S112**

**16S130**

**16S160**

**16S190**

## **EcoSplit II**

**16S220**



suitable to :

**Z.F.****EcoSplit I****From 16K130 to 16K190****ECO I**  
From 16K130  
To 16K190**Application**

|                 | 16K130 | 16K160 | 16K190 |
|-----------------|--------|--------|--------|
|                 | (1295) | (1297) | (1297) |
| <b>MERCEDES</b> |        |        |        |
| <b>M.A.N.</b>   |        |        |        |
| <b>IVECO</b>    |        |        |        |
| <b>R.V.I.</b>   |        |        |        |
| <b>DAF</b>      |        |        |        |
| <b>VOLVO</b>    |        |        |        |

**Ratios**

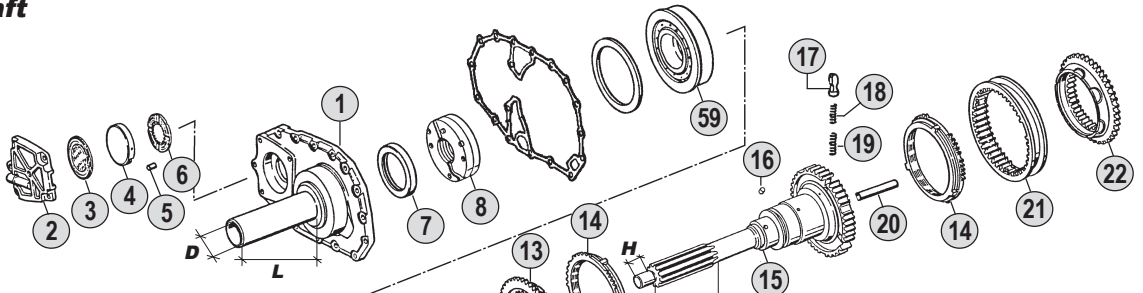
|               | R.11,46-0,85 | R.13,68-1,00 | R.14,29-0,82 |
|---------------|--------------|--------------|--------------|
|               | A            | B            | C            |
| <b>16K130</b> |              |              |              |
| <b>16K160</b> |              |              |              |
| <b>16K190</b> |              |              |              |



Suitable To : **ZF**

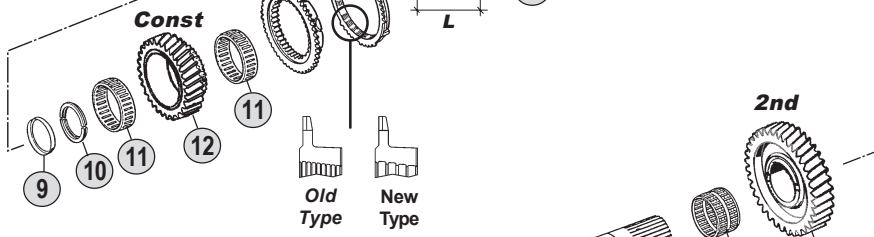
**16K130 - 16K160 - 16K190**

**Input Shaft**

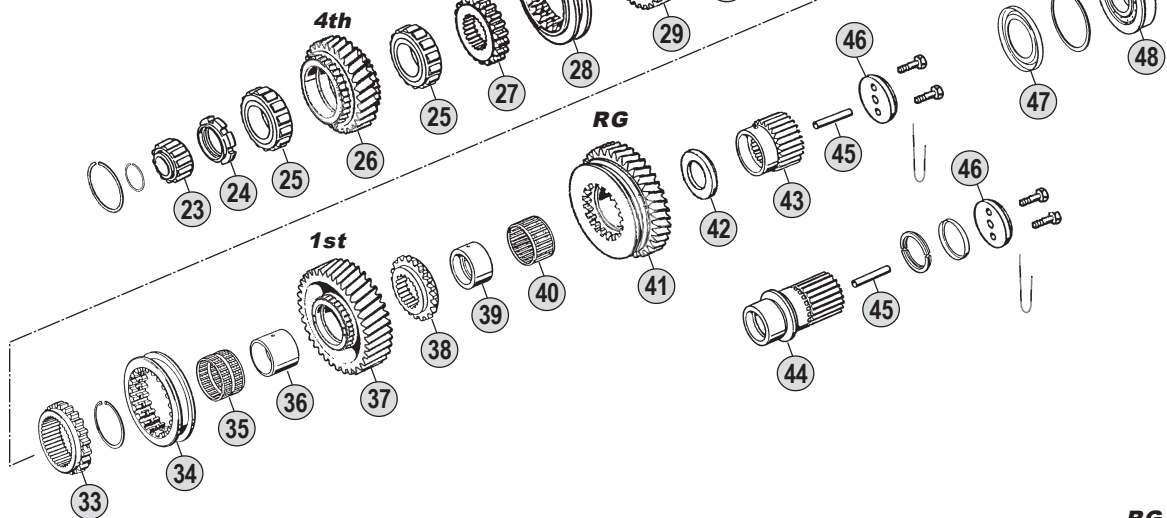


**Springs & Slides Kits**

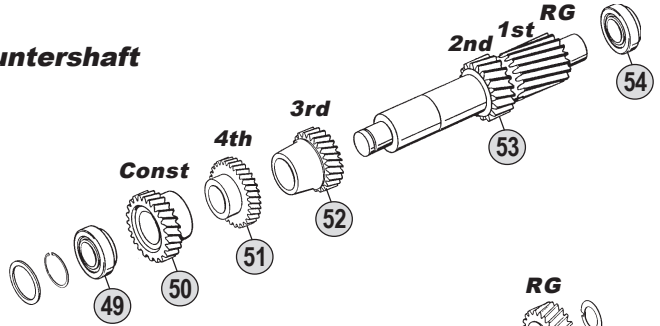
|               |               |               |
|---------------|---------------|---------------|
| x 3           | x 6           | x 9           |
| x 3           | x 6           | x 9           |
| x 3           | x 6           | x 9           |
| <b>Kit 60</b> | <b>Kit 61</b> | <b>Kit 62</b> |



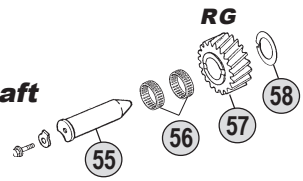
**Main Shaft**



**Countershaft**



**Reverse Shaft**



**Ratios**

|               |                 |                 |                 |       |       |
|---------------|-----------------|-----------------|-----------------|-------|-------|
| <b>16K130</b> | A: 11,46 - 0,85 | B: 13,68 - 1,00 | C: 14,29 - 0,82 | D: -- | E: -- |
| <b>16K160</b> | A: 11,46 - 0,85 | B: 13,68 - 1,00 | C: 14,29 - 0,82 | D: -- | E: -- |
| <b>16K190</b> | A: 11,46 - 0,85 | B: 13,68 - 1,00 | C: 14,29 - 0,82 | D: -- | E: -- |

All original equipment manufacturers' numbers, symbols, pictures and description used in this catalogue are for reference only, and it is not implied that any part listed is the product of these manufactures. Tutti i nostri particolari non sono originali ma con essi intercambiabili. I riferimenti originali, le figure, i modelli sono esposti a semplice titolo indicativo. La nostra produzione riporta il nostro marchio.



16K130 (1295)  
16K160 (1297)  
16K190 (1297)

| Fig. | CEI no. | O.E.M. Reference |                 | Description                 | Q.ty | Note               | Ratio |               |               |               |  |  |  |
|------|---------|------------------|-----------------|-----------------------------|------|--------------------|-------|---------------|---------------|---------------|--|--|--|
|      |         | ZF no.           | MB no.          |                             |      |                    |       | 16K130 (1295) | 16K160 (1297) | 16K190 (1297) |  |  |  |
| 1    |         | 1297 302 018     | 000 262 4629    | Front Cover                 | 1    | L=170 D=54         |       | ●             | ●             |               |  |  |  |
| 1    |         | 1297 302 053     | 000 262 4329    | Front Cover                 | 1    | L=170 D=60         |       | ●             | ●             | ●             |  |  |  |
| 2    |         | 1295 303 030     | 000 255 0232    | Cover                       | 1    |                    |       | ●             | ●             | ●             |  |  |  |
| 3    |         | 0750 190 012     | 343 264 0547    | Disk                        | 1    |                    |       | ●             | ●             | ●             |  |  |  |
| 4    |         | 1268 303 062     | 000 255 0031    | Piston                      | 1    |                    |       | ●             | ●             | ●             |  |  |  |
| 5    |         | 0731 302 032     | 000 264 1074    | Pin                         | 1    |                    |       | ●             | ●             | ●             |  |  |  |
| 6    |         | 1268 203 059     | 000 255 0401    | Washer                      | 1    |                    |       | ●             | ●             | ●             |  |  |  |
| 7    |         | 0750 111 002     | 008 997 3847    | Oil Seal 48x75x8            | 1    |                    |       | ●             |               |               |  |  |  |
| 7    |         | 0634 310 733     | 006 997 0146    | Oil Seal 90x110x13          | 1    | (1)                |       | ●             |               |               |  |  |  |
| 7    | 139.754 | 0734 310 386     | 023 997 9447    | Oil Seal 55x75x8            | 1    |                    |       |               | ●             | ●             |  |  |  |
| 8    | 280.348 | 1295 202 041     | 000 260 1290    | Oil Pump                    | 1    |                    |       | ●             | ●             | ●             |  |  |  |
| 9    | 169.754 | 0730 061 816     | 000 262 0673    | Securing Ring               | 1    |                    |       | ●             | ●             | ●             |  |  |  |
| 9    | 169.755 | 0730 062 579     | 000 262 1073    | Securing Ring               | 1    | S.4,20 mm          |       | ●             | ●             | ●             |  |  |  |
| 10   |         | 0730 103 244     | 000 262 1530    | Split Ring T.4,30 mm        | 1    | S.4,30 mm (4)      |       | ●             | ●             | ●             |  |  |  |
| 10   |         | 0730 103 935     | 000 262 4230    | Split Ring T.3,80 mm        | 1    | S.3,80 mm (4)      |       | ●             | ●             | ●             |  |  |  |
| 10   |         | 0730 105 156     | 000 262 4430    | Split Ring T.4,00 mm        | 1    | S.4,00 mm (5)      |       | ●             | ●             | ●             |  |  |  |
| 10   |         | 0730 105 154     | 000 262 4630    | Split Ring T.3,80 mm        | 1    | S.3,80 mm (5)      |       | ●             | ●             | ●             |  |  |  |
| 11   | 137.082 | 0735 320 786     | 005 981 9801    | Needle Cage D.88x96x24,50   | 2    |                    |       | ●             |               |               |  |  |  |
| 11   | 137.153 | 0735 320 896     | 013 981 1610    | Needle Cage D.88x96x29      | 2    |                    |       |               | ●             | ●             |  |  |  |
| 12   | 145.489 | 1295 302 070     | 000 262 5210    | Constant Gear 30 T          | 1    |                    | A     | ●             |               |               |  |  |  |
| 12   | 145.276 | 1295 302 071     | 000 262 4010    | Constant Gear 28 T          | 1    |                    | B     | ●             |               |               |  |  |  |
| 12   | 145.541 | 1295 302 122     |                 | Constant Gear 29 T          | 1    |                    | C     | ●             |               |               |  |  |  |
| 12   | 145.466 | 1297 302 177     | 000 262 4610    | Constant Gear 30 T          | 1    |                    | A     |               | ●             | ●             |  |  |  |
| 12   | 145.406 | 1297 302 176     | 000 262 4510    | Constant Gear 28 T          | 1    |                    | B     |               | ●             | ●             |  |  |  |
| 12   | 145.405 | 1297 302 250     | 000 262 5810    | Constant Gear 29 T          | 1    |                    | C     |               | ●             | ●             |  |  |  |
| 13   | 109.072 | 1295 304 278     | 000 262 1940    | Synchronizer Cone           | 1    |                    |       | ●             | ●             | ●             |  |  |  |
| 14   | 119.084 | 1295 304 004     | 000 262 2034    | Synchronizer Ring           | 2    | Old Type           |       | ●             | ●             | ●             |  |  |  |
| 14   | 119.175 | 1304 304 686     | 000 262 9934    | Synchronizer Ring           | 2    | New Type           |       | ●             | ●             | ●             |  |  |  |
| 15   | 102.230 | 1295 202 004     | 001 262 1802    | Input Shaft                 | 1    | L=115 H=32         |       | ●             |               |               |  |  |  |
| 15   |         | 1295 221 001     | 001 262 1302    | Input Shaft                 | 1    | NMV130(Clutch PTO) |       | ●             |               |               |  |  |  |
| 15   | 102.223 | 1297 202 053     | 001 262 2802    | Input Shaft                 | 1    | L=125 H=30         |       |               | ●             | ●             |  |  |  |
| 16   |         | 0635 470 012     | 005 402 007 200 | Pin                         | 1    |                    |       | ●             | ●             | ●             |  |  |  |
| 17   | 160.116 | 1240 304 278     | 336 264 0239    | Pressure piece              | 3    |                    |       | ●             | ●             | ●             |  |  |  |
| 18   | 156.036 | 0732 040 386     | 336 264 0793    | Inner Spring De.3x34        | 3    |                    |       | ●             | ●             | ●             |  |  |  |
| 19   | 156.037 | 0732 040 385     | 336 264 0693    | Outer Spring De.6x34        | 3    |                    |       | ●             | ●             | ●             |  |  |  |
| 20   | 188.208 | 0730 062 323     | 000 261 0766    | Oil Tube                    | 1    |                    |       | ●             | ●             | ●             |  |  |  |
| 21   | 154.097 | 1295 304 002     | 000 262 3623    | Sliding Sleeve              | 1    |                    |       | ●             | ●             | ●             |  |  |  |
| 22   | 109.072 | 1295 304 278     | 000 262 1940    | Synchronizer Cone           | 1    |                    |       | ●             | ●             | ●             |  |  |  |
| 23   | 137.081 | 0750 118 010     | 001 981 9912    | Roller Cage D.30x60x25,50   | 1    |                    |       | ●             |               |               |  |  |  |
| 23   | 137.113 | 0750 118 038     | 004 981 8001    | Roller Cage D.35x68x27,50   | 1    |                    |       |               | ●             | ●             |  |  |  |
| 24   | 187.588 | 3081 303 063     |                 | Grooved Nut M50x1,5         | 1    |                    |       | ●             |               |               |  |  |  |
| 24   | 187.412 | 0737 502 092     | 000 990 2360    | Grooved Nut M60x1,5         | 1    |                    |       |               | ●             | ●             |  |  |  |
| 25   |         | 0750 118 017     |                 | Bearing D.55x90x33          | 2    |                    |       | ●             |               |               |  |  |  |
| 25   | 137.083 | 0750 118 005     | 004 981 7801    | Roller Cage D.63x97,5x34,80 | 2    |                    |       |               | ●             | ●             |  |  |  |
| 26   | 146.464 | 1295 304 181     |                 | Gear 4th Speed 28 T         | 1    |                    | A     | ●             |               |               |  |  |  |

## Notes

- (1) Only for input Shaft 1295 221 001  
 (4) To be coupled together with Fig. 9 - 0730 061 816  
 (5) To be coupled together with Fig. 9 - 0730 062 579  
 (7) Only for models having MNV130 ( clutch PTO)

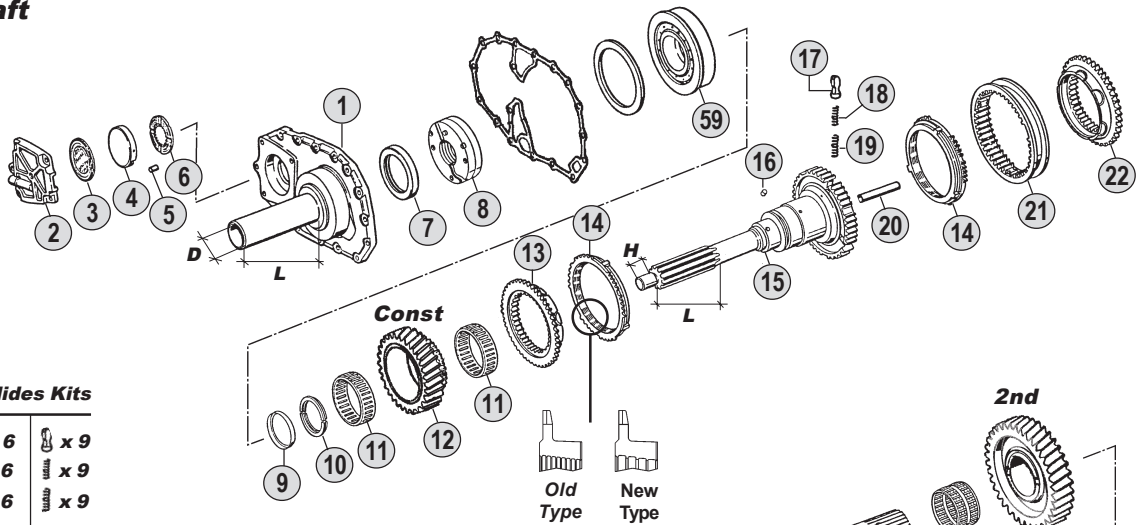
## Date

03 / 2006

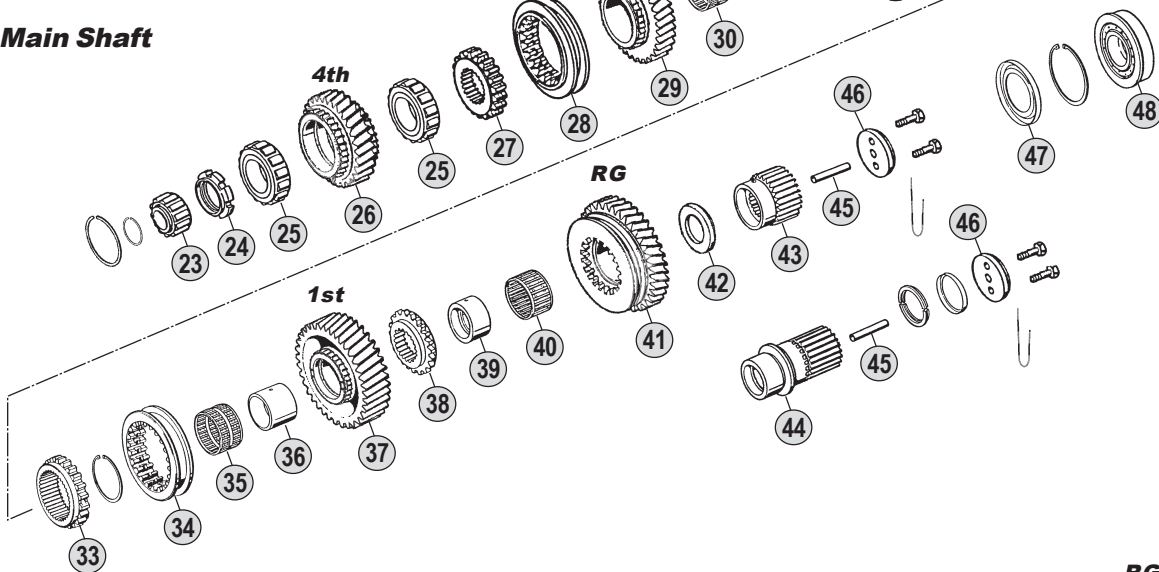
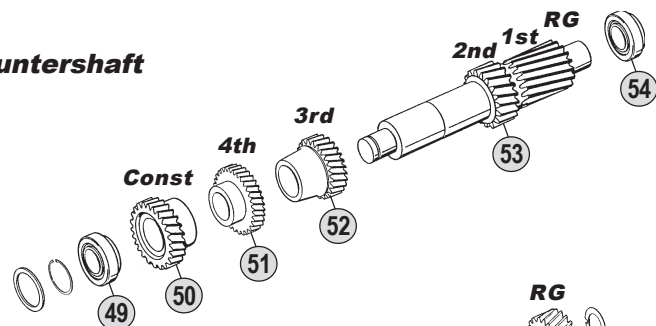
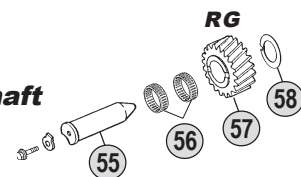
## Table

001 / A

All original equipment manufacturers numbers, symbols, pictures, models and description used in this catalogue are for reference only, and it is not implied that any part listed is the product of these manufactures.  
 Tutti i nostri particolari non sono originali ma con essi intercambiabili. I riferimenti originali, le figure, i modelli sono esposti a semplice titolo indicativo. La nostra produzione riporta il nostro marchio.

Suitable To : **ZF****16K130 - 16K160 - 16K190****Input Shaft****Springs & Slides Kits**

|               |               |               |
|---------------|---------------|---------------|
| x 3           | x 6           | x 9           |
| x 3           | x 6           | x 9           |
| x 3           | x 6           | x 9           |
| <b>Kit 60</b> | <b>Kit 61</b> | <b>Kit 62</b> |

**Main Shaft****Countershaft****Reverse Shaft****Ratios**

|               |                 |                 |                 |       |       |
|---------------|-----------------|-----------------|-----------------|-------|-------|
| <b>16K130</b> | A: 11,46 - 0,85 | B: 13,68 - 1,00 | C: 14,29 - 0,82 | D: -- | E: -- |
| <b>16K160</b> | A: 11,46 - 0,85 | B: 13,68 - 1,00 | C: 14,29 - 0,82 | D: -- | E: -- |
| <b>16K190</b> | A: 11,46 - 0,85 | B: 13,68 - 1,00 | C: 14,29 - 0,82 | D: -- | E: -- |

16K130 (1295)  
16K160 (1297)  
16K190 (1297)

| Fig. | CEI no.        | O.E.M. Reference |              | Description                  | Q.ty | Note | Ratio |               |               |               |  |  |
|------|----------------|------------------|--------------|------------------------------|------|------|-------|---------------|---------------|---------------|--|--|
|      |                | ZF no.           | MB no.       |                              |      |      |       | 16K130 (1295) | 16K160 (1297) | 16K190 (1297) |  |  |
| 26   | 146.465        | 1295 304 182     |              | Gear 4th Speed 30 T          | 1    |      | B     | ●             |               |               |  |  |
| 26   | 146.466        | 1295 304 303     |              | Gear 4th Speed 26 T          | 1    |      | C     | ●             |               |               |  |  |
| 26   | <b>145.529</b> | 1297 304 128     |              | Gear 4th Speed 28 T          | 1    |      | A     | ●             |               |               |  |  |
| 26   | <b>145.420</b> | 1297 304 127     | 000 262 3214 | Gear 4th Speed 30 T          | 1    |      | B     | ●             |               |               |  |  |
| 26   | 145.530        | 1297 304 258     |              | Gear 4th Speed 29 T          | 1    |      | C     | ●             |               |               |  |  |
| 26   |                | 1297 304 308     |              | Gear 4th Speed 28 T          | 1    |      | A     |               | ●             |               |  |  |
| 26   |                | 1297 304 274     | 000 262 4114 | Gear 4th Speed 30 T          | 1    |      | B     |               | ●             |               |  |  |
| 26   |                | 1297 304 380     |              | Gear 4th Speed 29 T          | 1    |      | C     |               | ●             |               |  |  |
| 27   | 157.208        | 1295 304 234     |              | Fixed Hub 3rd-4th Speed      | 1    |      |       | ●             |               |               |  |  |
| 27   | <b>157.195</b> | 1297 304 188     | 000 262 2227 | Fixed Hub 4th-5th Speed      | 1    |      |       | ●             | ●             |               |  |  |
| 28   | 154.211        | 1295 304 179     |              | Sliding Sleeve 3rd-4th Speed | 1    |      |       | ●             |               |               |  |  |
| 28   | <b>154.189</b> | 1297 304 120     | 000 262 5023 | Sliding Sleeve               | 1    |      |       | ●             | ●             |               |  |  |
| 29   | 145.551        | 1295 304 188     |              | Gear 3rd Speed 32 T          | 1    |      | AC    | ●             |               |               |  |  |
| 29   | 145.552        | 1295 304 187     |              | Gear 3rd Speed 34 T          | 1    |      | B     | ●             |               |               |  |  |
| 29   | <b>145.531</b> | 1297 304 116     |              | Gear 3rd Speed 32 T          | 1    |      | AC    |               | ●             |               |  |  |
| 29   | <b>145.468</b> | 1297 304 115     | 000 262 4713 | Gear 3rd Speed 34 T          | 1    |      | B     |               | ●             |               |  |  |
| 29   |                | 1297 304 279     |              | Gear 3rd Speed 32 T          | 1    |      | AC    |               | ●             |               |  |  |
| 29   |                | 1297 304 273     | 000 262 6113 | Gear 3rd Speed 34 T          | 1    |      | B     |               | ●             |               |  |  |
| 30   | 137.158        | 0735 320 460     | 010 981 3010 | Needle Cage D.82x90x46       | 2    |      |       | ●             |               |               |  |  |
| 30   | <b>137.084</b> | 0735 320 418     | 010 981 3510 | Needle Cage D.82x90x49       | 2    |      |       |               | ●             | ●             |  |  |
| 31   | 103.141        | 1295 304 243     |              | Main Shaft                   | 1    |      | AB    | ●             |               |               |  |  |
| 31   | 103.142        | 1295 304 304     |              | Main Shaft                   | 1    |      | C     | ●             |               |               |  |  |
| 31   | <b>103.134</b> | 1297 304 179     | 000 262 3605 | Main Shaft                   | 1    |      | AB    |               | ●             | ●             |  |  |
| 31   | 103.139        | 1297 304 264     |              | Main Shaft                   | 1    |      | C     |               | ●             | ●             |  |  |
| 32   | 145.547        | 1295 304 185     |              | Gear 2nd Speed 37 T          | 1    |      | AC    | ●             |               |               |  |  |
| 32   | 145.546        | 1295 304 184     |              | Gear 2nd Speed 38 T          | 1    |      | B     | ●             |               |               |  |  |
| 32   | <b>145.532</b> | 1297 304 113     |              | Gear 2nd Speed 37 T          | 1    |      | AC    |               | ●             |               |  |  |
| 32   | <b>145.467</b> | 1297 304 112     | 000 262 3912 | Gear 2nd Speed 38 T          | 1    |      | B     |               | ●             |               |  |  |
| 32   |                | 1297 304 278     |              | Gear 2nd Speed 37 T          | 1    |      | AC    |               | ●             |               |  |  |
| 32   |                | 1297 304 271     | 000 262 5412 | Gear 2nd Speed 38 T          | 1    |      | B     |               | ●             |               |  |  |
| 33   | <b>157.197</b> | 1295 304 235     | 000 262 2127 | Fixed Hub 1st-2nd Speed      | 1    |      |       | ●             | ●             | ●             |  |  |
| 34   | 154.212        | 1295 304 178     |              | Sliding Sleeve 1st-2nd Speed | 1    |      |       | ●             |               |               |  |  |
| 34   | <b>154.188</b> | 1297 304 119     | 000 262 4923 | Sliding Sleeve               | 1    |      |       |               | ●             | ●             |  |  |
| 35   |                | 0735 320 461     |              | Needle Cage D.72x80x46       | 1    |      |       | ●             |               |               |  |  |
| 35   | 137.161        | 0735 320 568     | 011 981 3010 | Needle Cage D.82x90x53       | 1    |      |       |               | ●             | ●             |  |  |
| 36   | 117.317        | 1297 304 055     | 000 262 3050 | Bush                         | 1    |      |       |               | ●             | ●             |  |  |
| 37   | 145.548        | 1295 304 204     |              | Gear 1st Speed 44 T          | 1    |      | AC    | ●             |               |               |  |  |
| 37   | 145.550        | 1295 304 205     |              | Gear 1st Speed 47 T          | 1    |      | B     | ●             |               |               |  |  |
| 37   | <b>145.534</b> | 1297 304 151     |              | Gear 1st Speed 44 T          | 1    |      | AC    |               | ●             |               |  |  |
| 37   | <b>145.469</b> | 1297 304 150     | 000 262 6811 | Gear 1st Speed 47 T          | 1    |      | B     |               | ●             |               |  |  |
| 37   |                | 1297 304 277     |              | Gear 1st Speed 44 T          | 1    |      | AC    |               | ●             |               |  |  |
| 37   |                | 1297 304 272     | 000 262 8311 | Gear 1st Speed 47 T          | 1    |      | B     |               | ●             |               |  |  |
| 38   | 109.075        | 1295 304 206     | 000 262 1540 | Engaging Ring                | 1    |      |       | ●             |               |               |  |  |
| 38   | <b>109.178</b> | 1297 304 154     | 000 262 1640 | Engaging Ring                | 1    |      |       |               | ●             | ●             |  |  |
| 39   | 117.203        | 1295 304 012     | 000 262 2050 | Bush D.60x75x38              | 1    |      | AB    | ●             |               |               |  |  |

## Notes

- (1) Only for input Shaft 1295 221 001  
 (4) To be coupled together with Fig. 9 - 0730 061 816  
 (5) To be coupled together with Fig. 9 - 0730 062 579  
 (7) Only for models having MNV130 ( clutch PTO)

## Date

03 / 2006

## Table

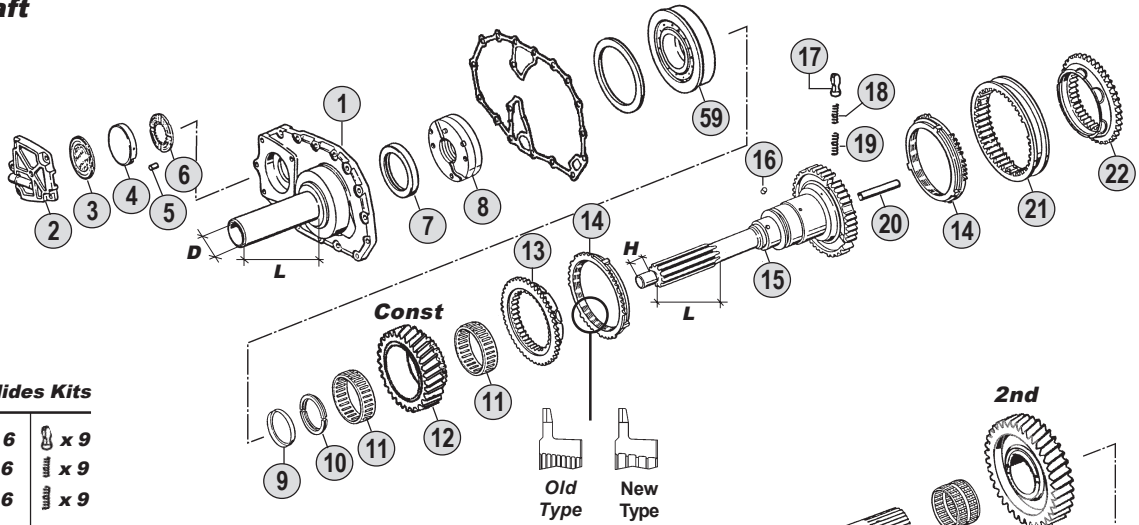
001 / A

All original equipment manufacturers numbers, symbols, pictures, models and description used in this catalogue are for reference only, and it is not implied that any part listed is the product of these manufactures.  
 Tutti i nostri particolari non sono originali ma con essi intercambiabili. I riferimenti originali, le figure, i modelli sono esposti a semplice titolo indicativo. La nostra produzione riporta il nostro marchio.

Suitable To : **ZF**

**16K130 - 16K160 - 16K190**

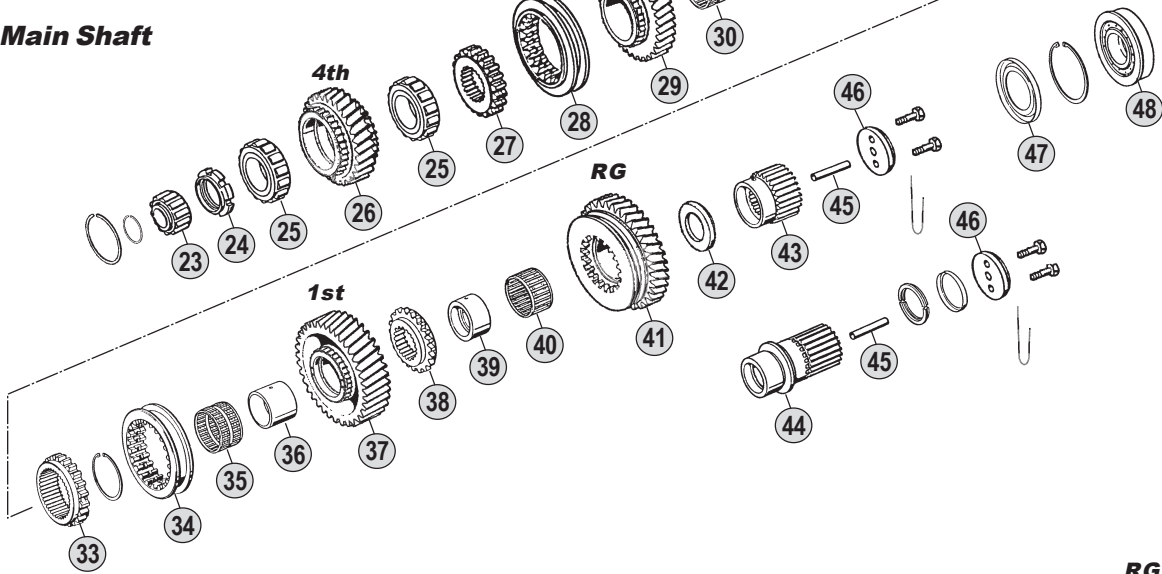
**Input Shaft**



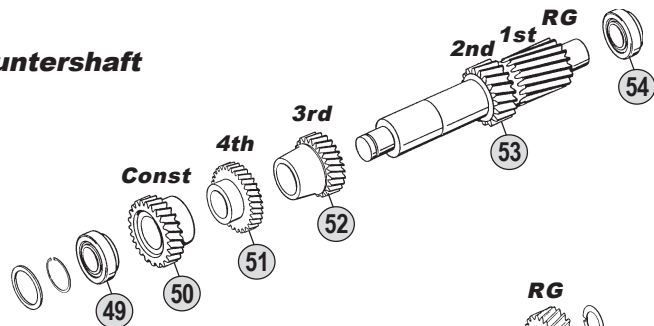
**Springs & Slides Kits**

|               |               |               |
|---------------|---------------|---------------|
| x 3           | x 6           | x 9           |
| x 3           | x 6           | x 9           |
| x 3           | x 6           | x 9           |
| <b>Kit 60</b> | <b>Kit 61</b> | <b>Kit 62</b> |

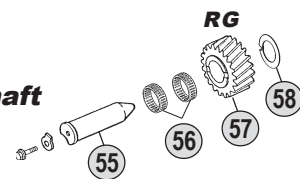
**Main Shaft**



**Countershaft**



**Reverse Shaft**



**Ratios**

|               |                  |                  |                  |        |        |
|---------------|------------------|------------------|------------------|--------|--------|
| <b>16K130</b> | A : 11,46 - 0,85 | B : 13,68 - 1,00 | C : 14,29 - 0,82 | D : -- | E : -- |
| <b>16K160</b> | A : 11,46 - 0,85 | B : 13,68 - 1,00 | C : 14,29 - 0,82 | D : -- | E : -- |
| <b>16K190</b> | A : 11,46 - 0,85 | B : 13,68 - 1,00 | C : 14,29 - 0,82 | D : -- | E : -- |

All original equipment manufacturers' numbers, symbols, pictures and description used in this catalogue are for reference only, and it is not implied that any part listed is the product of these manufactures. Tutti i nostri particolari non sono originali ma con essi intercambiabili. I riferimenti originali, le figure, i modelli sono esposti a semplice titolo indicativo. La nostra produzione riporta il nostro marchio.

16K130 (1295)  
16K160 (1297)  
16K190 (1297)

| Fig. | CEI no.        | O.E.M. Reference |              | Description            | Q.ty | Note | Ratio |               |               |               |  |  |
|------|----------------|------------------|--------------|------------------------|------|------|-------|---------------|---------------|---------------|--|--|
|      |                | ZF no.           | MB no.       |                        |      |      |       | 16K130 (1295) | 16K160 (1297) | 16K190 (1297) |  |  |
| 39   | 117.318        | 1297 304 034     | 000 262 2350 | Bush                   | 1    |      | AB    | ●             | ●             |               |  |  |
| 40   | <b>137.086</b> | 0750 115 059     | 010 981 3210 | Needle Cage D.75x83x40 | 1    |      |       | ●             |               |               |  |  |
| 40   | <b>137.111</b> | 0735 320 486     | 010 981 3910 | Needle Cage D.78x86x44 | 1    |      |       | ●             | ●             |               |  |  |
| 41   | 147.138        | 1295 304 201     | 000 262 9111 | Reverse Gear 39 T      | 1    |      | AC    | ●             |               |               |  |  |
| 41   | 147.093        | 1295 304 200     | 000 262 5111 | Reverse Gear 38 T      | 1    |      | B     | ●             |               |               |  |  |
| 41   | <b>147.109</b> | 1297 304 149     | 000 262 8611 | Reverse Gear 39 T      | 1    |      | AC    |               | ●             | ●             |  |  |
| 41   | <b>147.140</b> | 1297 304 148     | 000 262 5311 | Reverse Gear 38 T      | 1    |      | B     |               | ●             | ●             |  |  |
| 42   |                | 1295 304 241     |              | Thrust Washer          | 1    |      | AB    | ●             |               |               |  |  |
| 42   | 169.758        | 1297 304 177     | 000 262 4662 | Thrust Washer          | 1    |      | AB    |               | ●             |               |  |  |
| 43   | 157.211        | 1295 304 247     | 000 262 0109 | Sun Gear 27 T          | 1    |      | AB    | ●             |               |               |  |  |
| 43   | <b>157.177</b> | 1297 304 187     | 000 262 0309 | Sun Gear 27 T          | 1    |      | AB    |               | ●             | ●             |  |  |
| 44   | 157.207        | 1295 304 251     |              | Sun Gear 24 T          | 1    |      | C     | ●             |               |               |  |  |
| 44   | 157.206        | 1297 304 265     |              | Sun Gear 24 T          | 1    |      | C     |               | ●             | ●             |  |  |
| 45   |                | 0730 061 842     | 000 262 1253 | Oil Tube               | 1    |      |       | ●             | ●             | ●             |  |  |
| 46   | 188.076        | 1272 304 021     | 000 262 2762 | Stop Washer            | 1    |      |       | ●             | ●             | ●             |  |  |
| 47   |                | 1295 304 129     | 000 261 0165 | Oil Collector          | 1    |      | AB    | ●             | ●             | ●             |  |  |
| 47   |                | 1297 301 004     | 000 261 0265 | Oil Collector          | 1    |      | C     | ●             | ●             | ●             |  |  |
| 48   | 130.240        | 0750 118 153     | 002 980 1002 | Bearing D.60x130x31    | 1    |      | AB    | ●             | ●             |               |  |  |
| 48   |                | 0750 118 137     |              | Bearing 80x140x26      | 1    |      | C     | ●             | ●             |               |  |  |
| 48   | 130.240        | 0750 118 153     | 002 980 1002 | Bearing D.60x130x31    | 1    |      | AB    |               |               | ●             |  |  |
| 48   |                | 0750 118 181     |              | Bearing 80x140x26      | 1    |      | C     |               |               | ●             |  |  |
| 49   | <b>130.242</b> | 0750 117 010     | 001 980 8102 | Bearing D.50,80x100x35 | 1    |      |       | ●             | ●             | ●             |  |  |
| 50   | 146.354        | 1295 303 036     | 000 263 8410 | Constant Gear 31 T     | 1    |      | A     | ●             |               |               |  |  |
| 50   | <b>146.210</b> | 1295 303 101     | 000 263 7110 | Constant Gear 34 T     | 1    |      | B     | ●             |               |               |  |  |
| 50   | 146.457        | 1295 303 060     |              | Constant Gear 32 T     | 1    |      | C     | ●             |               |               |  |  |
| 50   | 146.383        | 1297 303 074     | 000 263 6910 | Constant Gear 31 T     | 1    |      | A     |               | ●             | ●             |  |  |
| 50   | <b>146.322</b> | 1297 303 066     | 000 263 6610 | Constant Gear 34 T     | 1    |      | B     |               | ●             | ●             |  |  |
| 50   | <b>146.319</b> | 1297 303 098     | 001 263 0510 | Constant Gear 32 T     | 1    |      | C     |               | ●             | ●             |  |  |
| 51   | 146.413        | 1295 303 028     | 000 263 8510 | Gear 4th Speed 34 T    | 1    |      | A     | ●             |               |               |  |  |
| 51   | <b>146.209</b> | 1295 303 027     | 000 263 3610 | Gear 4th Speed 31 T    | 1    |      | B     | ●             |               |               |  |  |
| 51   | 146.461        | 1295 303 094     |              | Gear 4th Speed 35 T    | 1    |      | C     | ●             |               |               |  |  |
| 51   | <b>146.382</b> | 1297 303 072     | 000 263 7010 | Gear 4th Speed 34 T    | 1    |      | A     |               | ●             | ●             |  |  |
| 51   | <b>146.381</b> | 1297 303 065     | 000 263 6510 | Gear 4th Speed 31 T    | 1    |      | B     |               | ●             | ●             |  |  |
| 51   | <b>146.447</b> | 1297 303 114     |              | Gear 4th Speed 39 T    | 1    |      | C     |               | ●             | ●             |  |  |
| 52   | 146.467        | 1295 303 005     |              | Gear 3rd Speed 28 T    | 1    |      | AC    | ●             |               |               |  |  |
| 52   | 146.468        | 1295 303 006     |              | Gear 3rd Speed 25 T    | 1    |      | B     | ●             |               |               |  |  |
| 52   | <b>146.446</b> | 1297 303 081     |              | Gear 3rd Speed 28 T    | 1    |      | AC    |               | ●             | ●             |  |  |
| 52   | <b>146.380</b> | 1297 303 077     | 000 263 6710 | Gear 3rd Speed 25 T    | 1    |      | B     |               | ●             | ●             |  |  |
| 53   | 105.120        | 1295 303 056     |              | Countershaft 19-23 T   | 1    |      | AC    | ●             |               |               |  |  |
| 53   |                | 1295 303 089     |              | Countershaft 19-23 T   | 1    | (7)  | AC    | ●             |               |               |  |  |
| 53   | 105.122        | 1295 303 055     |              | Countershaft 17-20 T   | 1    |      | B     | ●             |               |               |  |  |
| 53   | <b>105.116</b> | 1297 303 048     |              | Countershaft 19-23 T   | 1    |      | AC    |               | ●             |               |  |  |
| 53   |                | 1297 303 070     |              | Countershaft 19-23 T   | 1    | (7)  | AC    |               | ●             |               |  |  |
| 53   | <b>105.091</b> | 1297 303 047     | 000 263 3302 | Countershaft 17-20 T   | 1    |      | B     |               | ●             |               |  |  |
| 53   |                | 1297 303 080     |              | Countershaft           | 1    |      | AC    |               |               | ●             |  |  |

## Notes

- (1) Only for input Shaft 1295 221 001  
 (4) To be coupled together with Fig. 9 - 0730 061 816  
 (5) To be coupled together with Fig. 9 - 0730 062 579  
 (7) Only for models having MNV130 ( clutch PTO)

## Date

03 / 2006

## Table

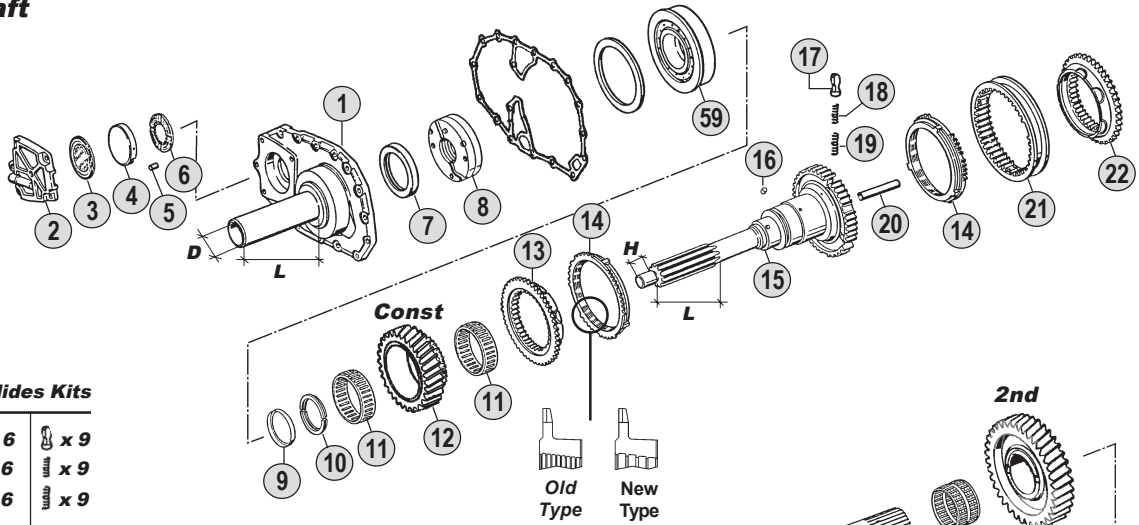
001 / A

All original equipment manufacturers numbers, symbols, pictures, models and description used in this catalogue are for reference only, and it is not implied that any part listed is the product of these manufactures.  
 Tutti i nostri particolari non sono originali ma con essi intercambiabili. I riferimenti originali, le figure, i modelli sono esposti a semplice titolo indicativo. La nostra produzione riporta il nostro marchio.

Suitable To : **ZF**

**16K130 - 16K160 - 16K190**

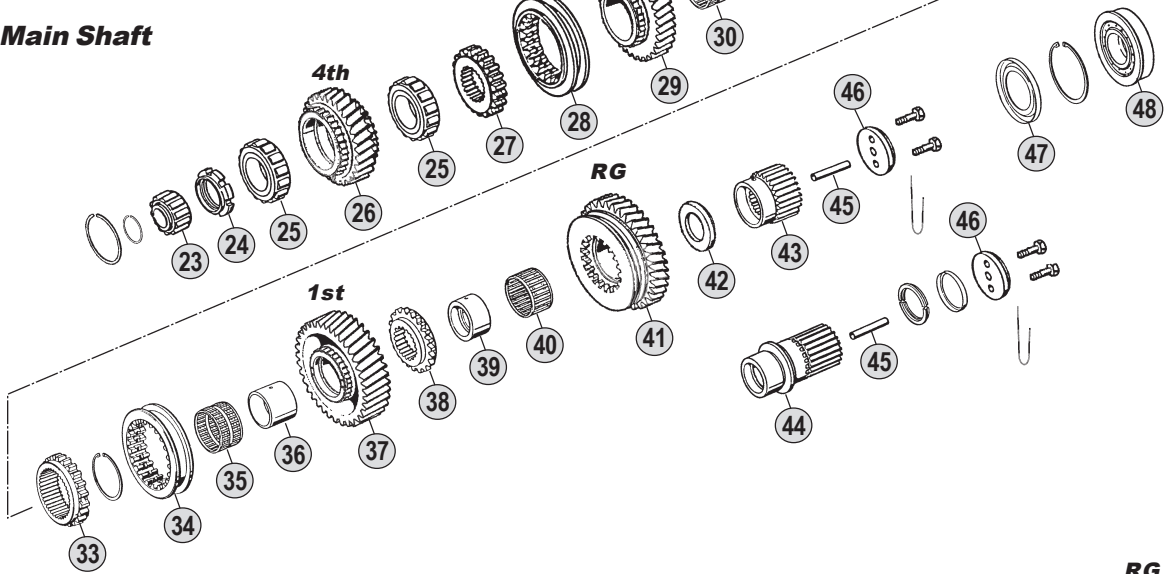
**Input Shaft**



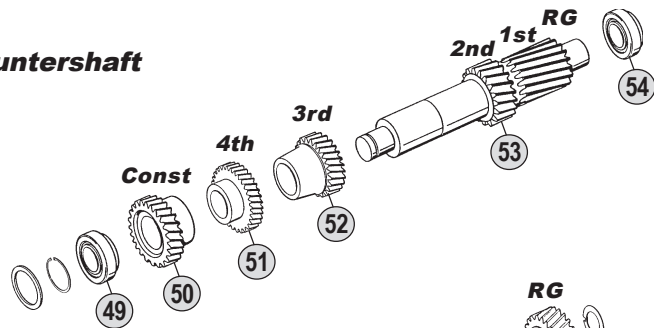
**Springs & Slides Kits**

|               |               |               |
|---------------|---------------|---------------|
| x 3           | x 6           | x 9           |
| x 3           | x 6           | x 9           |
| x 3           | x 6           | x 9           |
| <b>Kit 60</b> | <b>Kit 61</b> | <b>Kit 62</b> |

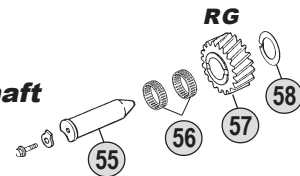
**Main Shaft**



**Countershaft**



**Reverse Shaft**



**Ratios**

|               |                 |                 |                 |       |       |
|---------------|-----------------|-----------------|-----------------|-------|-------|
| <b>16K130</b> | A: 11,46 - 0,85 | B: 13,68 - 1,00 | C: 14,29 - 0,82 | D: -- | E: -- |
| <b>16K160</b> | A: 11,46 - 0,85 | B: 13,68 - 1,00 | C: 14,29 - 0,82 | D: -- | E: -- |
| <b>16K190</b> | A: 11,46 - 0,85 | B: 13,68 - 1,00 | C: 14,29 - 0,82 | D: -- | E: -- |

All original equipment manufacturers' numbers, symbols, pictures and description used in this catalogue are for reference only, and it is not implied that any part listed is the product of these manufactures. Tutti i nostri particolari non sono originali ma con essi intercambiabili. I riferimenti originali, le figure, i modelli sono esposti a semplice titolo indicativo. La nostra produzione riporta il nostro marchio.

O.E.M. Reference

| Fig. | CEI no.        | O.E.M. Reference |              | Description               | Q.ty | Note | Ratio |               |               |               |  |  |  |
|------|----------------|------------------|--------------|---------------------------|------|------|-------|---------------|---------------|---------------|--|--|--|
|      |                | ZF no.           | MB no.       |                           |      |      |       | 16K130 (1295) | 16K160 (1297) | 16K190 (1297) |  |  |  |
| 53   |                | 1297 303 076     | 000 263 4402 | Countershaft              | 1    |      | B     |               |               |               |  |  |  |
| 54   | <b>130.307</b> | 0750 117 011     | 001 980 8002 | Bearing D.50,8x104,7x39,6 | 1    |      |       | ●             |               |               |  |  |  |
| 54   | 130.243        | 0750 117 008     | 001 980 8202 | Bearing D.50x110x42       | 1    |      |       |               | ●             | ●             |  |  |  |
| 55   | 107.108        | 1295 305 056     | 000 263 1430 | Reverse Gear Pin          | 1    |      |       | ●             | ●             | ●             |  |  |  |
| 56   | <b>137.007</b> | 0750 115 011     | 010 981 1010 | Needle Cage D.45x53x21    | 2    |      |       | ●             | ●             | ●             |  |  |  |
| 57   | 147.133        | 1295 305 051     | 000 263 0232 | Reverse Gear 21 T         | 1    |      | AC    | ●             | ●             | ●             |  |  |  |
| 57   | 147.094        | 1295 305 052     | 000 263 0032 | Reverse Gear 24 T         | 1    |      | B     | ●             | ●             | ●             |  |  |  |
| 58   | 169.234        | 0730 150 064     | 343 263 0062 | Thrust Washer             | 1    |      |       | ●             | ●             | ●             |  |  |  |
| 59   | 130.305        | 0750 118 131     | 007 981 2801 | Bearing D.80x150x27,50    | 1    |      |       | ●             | ●             | ●             |  |  |  |
| 60   | <b>198.339</b> | 1268 298 938     |              | Spring Slide Set          | 1    |      |       | ●             | ●             | ●             |  |  |  |
| 61   | <b>198.564</b> | CEI 198564       |              | Spring Slide Set          | 1    |      |       | ●             | ●             | ●             |  |  |  |
| 62   | <b>198.842</b> | 1295 298 933     |              | Spring Slide Set          | 1    |      |       | ●             | ●             | ●             |  |  |  |

**ECO I**  
From 16K130  
To 16K190

All original equipment manufacturers numbers, symbols, pictures, models and description used in this catalogue are for reference only, and it is not implied that any part listed is the product of these manufactures.  
Tutti i nostri particolari non sono originali ma con essi intercambiabili. I riferimenti originali, le figure, i modelli sono esposti a semplice titolo indicativo. La nostra produzione riporta il nostro marchio.

Notes

- (1) Only for input Shaft 1295 221 001
- (4) To be coupled together with Fig. 9 - 0730 061 816
- (5) To be coupled together with Fig. 9 - 0730 062 579
- (7) Only for models having MNV130 ( clutch PTO)

Date

03 / 2006

Table

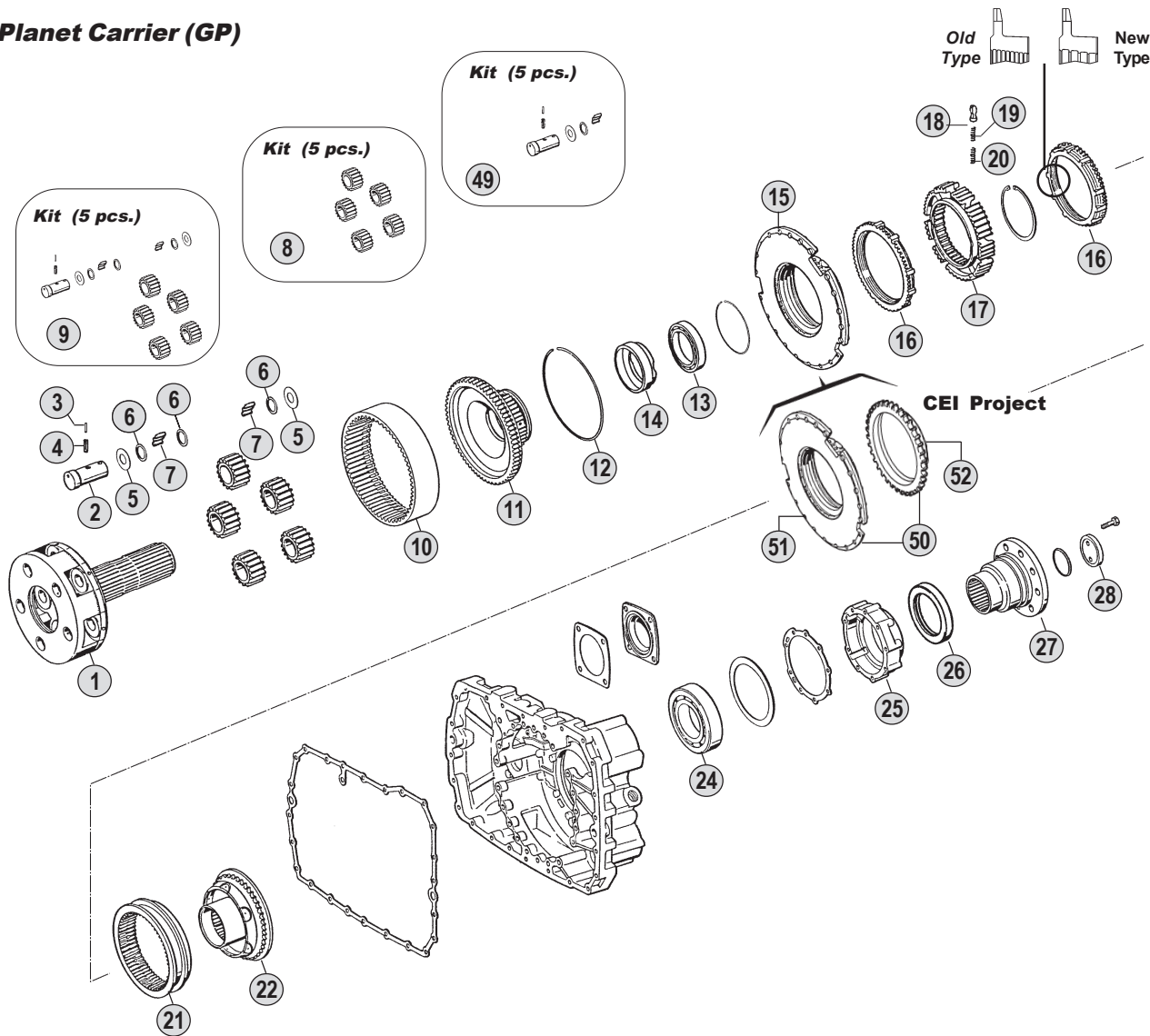
**001 / A**



Suitable To : **ZF**

**16K130 - 16K160 - 16K190**

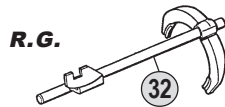
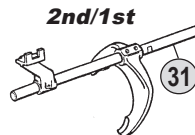
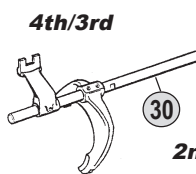
**Planet Carrier (GP)**



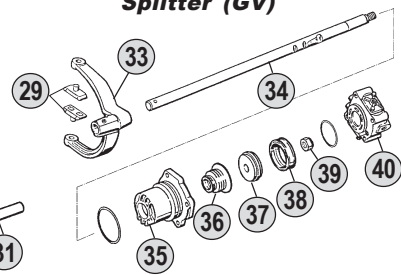
**Shifting Forks**

**Springs & Slide Kits**

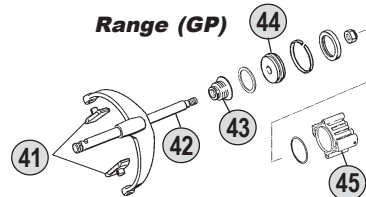
|               |               |               |
|---------------|---------------|---------------|
| x 3           | x 6           | x 9           |
| x 3           | x 6           | x 9           |
| x 3           | x 6           | x 9           |
| <b>Kit 46</b> | <b>Kit 47</b> | <b>Kit 48</b> |



**Splitter (GV)**



**Range (GP)**



**Ratios**

|               |                 |                 |                 |       |       |
|---------------|-----------------|-----------------|-----------------|-------|-------|
| <b>16K130</b> | A: 11,46 - 0,85 | B: 13,68 - 1,00 | C: 14,29 - 0,82 | D: -- | E: -- |
| <b>16K160</b> | A: 11,46 - 0,85 | B: 13,68 - 1,00 | C: 14,29 - 0,82 | D: -- | E: -- |
| <b>16K190</b> | A: 11,46 - 0,85 | B: 13,68 - 1,00 | C: 14,29 - 0,82 | D: -- | E: -- |

All original equipment manufacturers' numbers, symbols, pictures, models and description used in this catalogue are for reference only, and it is not implied that any part listed is the product of these manufactures. Tutti i nostri particolari non sono originali ma essi intercambiabili. I riferimenti originali, le figure, i modelli sono esposti a semplice titolo indicativo. La nostra produzione riporta il nostro marchio.

| Fig. | CEI no.        | O.E.M. Reference |                 | Description                     | Q.ty | Note     | Ratio |               |               |               |  |  |  |  |
|------|----------------|------------------|-----------------|---------------------------------|------|----------|-------|---------------|---------------|---------------|--|--|--|--|
|      |                | ZF no.           | MB no.          |                                 |      |          |       | 16K130 (1295) | 16K160 (1297) | 16K190 (1297) |  |  |  |  |
| 1    | 190.169        | 1295 232 044     | 000 260 3461    | Planetary Carrier               | 1    |          | AB    | ●             |               |               |  |  |  |  |
| 1    |                | 1295 232 045     |                 | Planetary Carrier               | 1    |          | C     | ●             |               |               |  |  |  |  |
| 1    | <b>190.396</b> | 1297 232 039     | 000 260 3561    | Planetary Carrier               | 1    |          | AB    |               | ●             | ●             |  |  |  |  |
| 1    | 190.395        | 1297 232 045     | 000 260 4061    | Planetary Carrier               | 1    |          | C     |               | ●             | ●             |  |  |  |  |
| 2    | 107.089        | 1269 332 036     | 000 264 1618    | Planet Shaft                    | 5    |          |       | ●             |               |               |  |  |  |  |
| 2    | <b>107.163</b> | 1297 332 109     | 000 263 0374    | Planet Shaft                    | 5    |          |       |               | ●             | ●             |  |  |  |  |
| 3    | <b>160.191</b> | 0631 329 017     | 001 481 003 028 | Lock Pin D.3x24                 | 5    |          |       | ●             | ●             | ●             |  |  |  |  |
| 4    | <b>160.192</b> | 0631 329 050     | 001 481 005 036 | Lock Pin D.5x24                 | 5    |          |       | ●             | ●             | ●             |  |  |  |  |
| 5    | 169.408        | 0501 305 887     | 003 264 2252    | Thrust Washer D.29x57,50x1,50   | 10   |          |       | ●             |               |               |  |  |  |  |
| 5    | <b>169.753</b> | 0501 306 212     | 000 263 0562    | Thrust Washer D.29x64x1,5       | 10   |          |       |               | ●             | ●             |  |  |  |  |
| 6    | <b>169.410</b> | 0730 103 846     | 003 264 2052    | Spacer Ring D.29x39x1,00        | 15   |          |       | ●             | ●             | ●             |  |  |  |  |
| 7    | <b>171.016</b> | 0735 470 057     | 001 981 1187    | Roller Set D.6x14,75 (180 pcs)  | 180  |          |       | ●             |               |               |  |  |  |  |
| 7    | <b>171.045</b> | 0750 119 109     | 001 981 5487    | Roller Set D.10x16,80 (120 pcs) | 120  |          |       |               | ●             | ●             |  |  |  |  |
| 8    | 198.357        | 1295 232 027     | 000 260 1497    | Planetary Gear Set (5 pcs)      | 1    |          | AB    | ●             |               |               |  |  |  |  |
| 8    | 198.437        | 1295 232 038     |                 | Planetary Gear Set (5 pcs)      | 1    |          | C     | ●             |               |               |  |  |  |  |
| 8    | <b>198.803</b> | 1297 232 023     | 000 260 1597    | Planetary Gear Set (5 pcs)      | 1    |          | AB    |               | ●             | ●             |  |  |  |  |
| 8    | <b>198.810</b> | 1297 232 024     |                 | Planetary Gear Set (5 pcs)      | 1    |          | C     |               | ●             | ●             |  |  |  |  |
| 9    | 198.562        | 1296 298 904     | 000 262 0306    | Planetary Gear Set              | 1    |          | AB    | ●             |               |               |  |  |  |  |
| 9    | <b>198.704</b> | 1297 298 912     | 000 262 0406    | Planetary Gear Set              | 1    |          | AB    |               | ●             | ●             |  |  |  |  |
| 9    |                | 1297 298 919     | 000 260 2297    | Planetary Gear Set              | 1    |          | C     |               | ●             | ●             |  |  |  |  |
| 10   | 123.162        | 1295 332 053     | 000 263 6410    | Crown Gear 83 T                 | 1    |          | AB    | ●             |               |               |  |  |  |  |
| 10   | <b>123.208</b> | 1295 332 086     | 001 263 2110    | Crown Gear 86 T                 | 1    |          | C     | ●             |               |               |  |  |  |  |
| 10   | <b>123.217</b> | 1297 332 080     | 000 263 6310    | Crown Gear 83 T                 | 1    |          | AB    |               | ●             | ●             |  |  |  |  |
| 10   | <b>123.208</b> | 1295 332 086     | 001 263 2110    | Crown Gear 86 T                 | 1    |          | C     |               | ●             | ●             |  |  |  |  |
| 11   | 150.112        | 1295 332 021     | 000 263 0025    | Flange Gear 83 T                | 1    |          | AB    | ●             |               |               |  |  |  |  |
| 11   | 150.142        | 1295 332 084     |                 | Flange Gear 86 T                | 1    |          | C     | ●             |               |               |  |  |  |  |
| 11   | <b>150.138</b> | 1297 332 017     | 000 263 0125    | Flange Gear 83 T                | 1    |          | AB    |               | ●             | ●             |  |  |  |  |
| 11   | <b>150.137</b> | 1297 332 035     | 000 263 0425    | Flange Gear 86 T                | 1    |          | C     |               | ●             | ●             |  |  |  |  |
| 12   | 111.129        | 0730 505 055     | 000 263 0973    | Locking Wire                    | 1    |          | AB    | ●             | ●             | ●             |  |  |  |  |
| 12   | 111.198        | 0730 505 056     | 000 263 1973    | Locking Wire                    | 1    |          | C     | ●             | ●             | ●             |  |  |  |  |
| 13   | 130.244        | 0750 116 166     | 000 981 3020    | Bearing D.75x105x16             | 1    |          |       | ●             |               |               |  |  |  |  |
| 13   | 130.310        | 0750 116 165     | 000 981 3120    | Bearing D.80x110x16             | 1    |          |       |               | ●             | ●             |  |  |  |  |
| 14   |                | 1297 332 002     | 000 263 1120    | Ring                            | 1    |          |       |               | ●             | ●             |  |  |  |  |
| 15   | <b>198.358</b> | 1296 233 006     | 000 263 1720    | Synchronizer Cone               | 1    |          |       | ●             | ●             | ●             |  |  |  |  |
| 16   | <b>119.085</b> | 1296 333 022     | 000 263 0234    | Synchronizer Ring               | 2    | Old Type |       | ●             | ●             | ●             |  |  |  |  |
| 16   | <b>119.172</b> | 1296 333 045     | 000 263 0534    | Synchronizer Ring               | 2    | New Type |       | ●             | ●             | ●             |  |  |  |  |
| 17   | <b>157.113</b> | 1296 333 002     | 000 263 0735    | Synchronizer Hub                | 1    |          |       | ●             | ●             | ●             |  |  |  |  |
| 18   | <b>160.116</b> | 1240 304 278     | 336 264 0239    | Pressure piece                  | 9    |          |       | ●             | ●             | ●             |  |  |  |  |
| 19   | <b>156.036</b> | 0732 040 386     | 336 264 0793    | Inner Spring De.3x34            | 9    |          |       | ●             | ●             | ●             |  |  |  |  |
| 20   | <b>156.037</b> | 0732 040 385     | 336 264 0693    | Outer Spring De.6x34            | 9    |          |       | ●             | ●             | ●             |  |  |  |  |
| 21   | <b>154.098</b> | 1296 333 023     | 000 263 0523    | Sliding Sleeve                  | 1    |          |       | ●             | ●             | ●             |  |  |  |  |
| 22   | <b>198.359</b> | 1295 233 025     | 000 263 1920    | Synchronizer Cone (36 Spl.)     | 1    |          |       | ●             |               |               |  |  |  |  |
| 22   | <b>198.374</b> | 1313 233 001     | 000 263 2020    | Synchronizer Cone (38 Spl.)     | 1    |          |       |               | ●             | ●             |  |  |  |  |
| 24   | 130.245        | 0750 116 002     | 000 981 2920    | Bearing D.90x160x30             | 1    |          |       | ●             | ●             | ●             |  |  |  |  |
| 25   | 128.098        | 1315 301 220     | 000 261 1732    | Cover                           | 1    |          |       | ●             |               |               |  |  |  |  |

Notes

Date

03 / 2006

Table

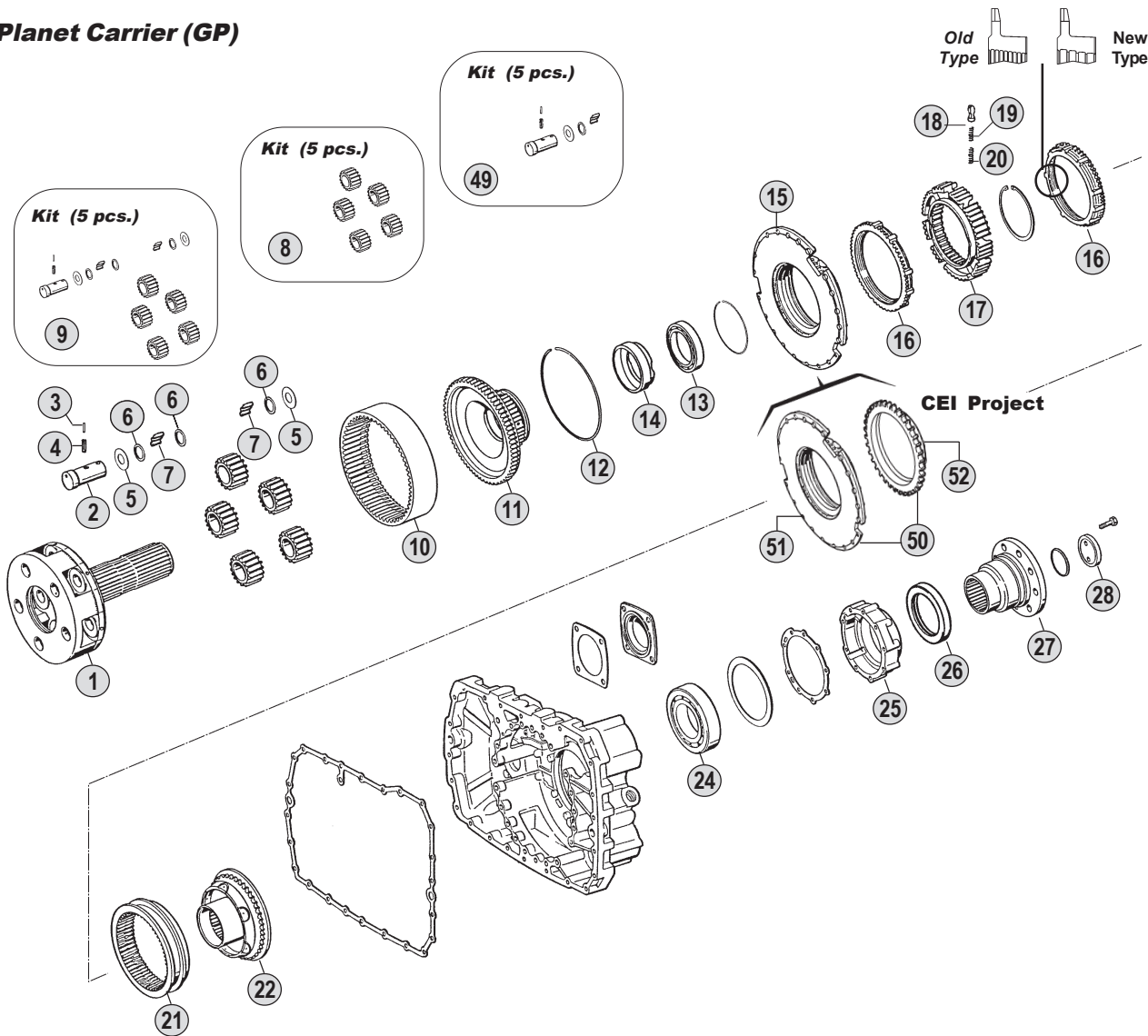
001 / B

All original equipment manufacturers numbers, symbols, pictures, models and description used in this catalogue are for reference only, and it is not implied that any part listed is the product of these manufactures.  
Tutti i nostri particolari non sono originali ma con essi intercambiabili. I riferimenti originali, le figure, i modelli sono esposti a semplice titolo indicativo. La nostra produzione riporta il nostro marchio.

Suitable To : **ZF**

**16K130 - 16K160 - 16K190**

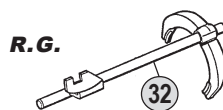
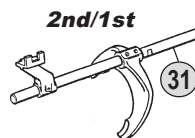
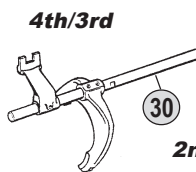
**Planet Carrier (GP)**



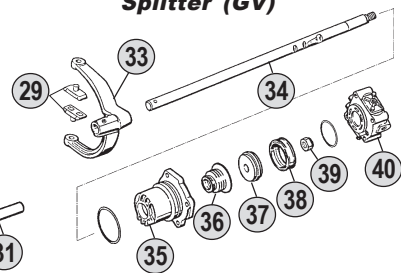
**Shifting Forks**

**Springs & Slide Kits**

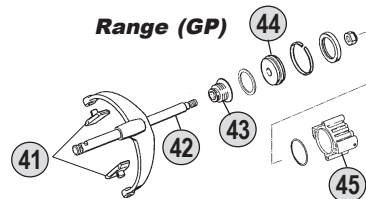
|               |               |               |
|---------------|---------------|---------------|
| x 3           | x 6           | x 9           |
| x 3           | x 6           | x 9           |
| x 3           | x 6           | x 9           |
| <b>Kit 46</b> | <b>Kit 47</b> | <b>Kit 48</b> |



**Splitter (GV)**



**Range (GP)**



**Ratios**

|               |                 |                 |                 |       |       |
|---------------|-----------------|-----------------|-----------------|-------|-------|
| <b>16K130</b> | A: 11,46 - 0,85 | B: 13,68 - 1,00 | C: 14,29 - 0,82 | D: -- | E: -- |
| <b>16K160</b> | A: 11,46 - 0,85 | B: 13,68 - 1,00 | C: 14,29 - 0,82 | D: -- | E: -- |
| <b>16K190</b> | A: 11,46 - 0,85 | B: 13,68 - 1,00 | C: 14,29 - 0,82 | D: -- | E: -- |

All original equipment manufacturers' numbers, symbols, pictures, models and description used in this catalogue are for reference only, and it is not implied that any part listed is the product of these manufactures. Tutti i nostri particolari non sono originali ma con essi intercambiabili. I riferimenti originali, le figure, i modelli sono esposti a semplice titolo indicativo. La nostra produzione riporta il nostro marchio.

| Fig. | CEI no. | O.E.M. Reference |              | Description             | Q.ty | Note              | Ratio |               |               |               |  |
|------|---------|------------------|--------------|-------------------------|------|-------------------|-------|---------------|---------------|---------------|--|
|      |         | ZF no.           | MB no.       |                         |      |                   |       | 16K130 (1295) | 16K160 (1297) | 16K190 (1297) |  |
| 26   |         | 0750 111 341     | 021 997 6447 | Oil Seal 105x130x12     | 1    |                   | ●     | ●             | ●             |               |  |
| 27   |         | 1295 338 061     | 000 264 3645 | Output Flange           | 1    | D.180-4H.         | ●     |               |               |               |  |
| 27   | 197.051 | 1295 338 014     | 000 264 2745 | Output Flange           | 1    | D.180-10H.        | ●     |               |               |               |  |
| 27   |         | 1297 338 041     | 000 264 4245 | Output Flange           | 1    | D.180-4H.         |       | ●             |               |               |  |
| 27   |         | 1297 338 010     | 000 264 2845 | Output Flange           | 1    | D.180-10H.        |       | ●             | ●             |               |  |
| 27   |         | 1297 338 038     | 000 264 4145 | Output Flange           | 1    | D.180-10H.        |       |               | ●             |               |  |
| 28   | 188.077 | 1295 332 051     | 000 264 1976 | Stop Washer             | 1    |                   | ●     | ●             | ●             |               |  |
| 29   | 141.068 | 1295 306 132     | 000 268 0849 | Bronze Slide            | 2    |                   | ●     | ●             | ●             |               |  |
| 30   |         | 1295 206 184     |              | Fork                    | 1    |                   | ●     |               |               |               |  |
| 30   |         | 1295 206 189     |              | Fork                    | 1    |                   | ●     |               |               |               |  |
| 30   |         | 1297 206 077     | 001 265 2405 | Fork                    | 1    |                   |       | ●             | ●             |               |  |
| 30   |         | 1297 206 083     | 001 265 3005 | Fork                    | 1    |                   |       | ●             | ●             |               |  |
| 31   |         | 1295 206 182     |              | Fork                    | 1    |                   | ●     |               |               |               |  |
| 31   |         | 1295 206 188     |              | Fork                    | 1    |                   | ●     |               |               |               |  |
| 31   |         | 1297 206 076     | 001 265 2305 | Fork                    | 1    |                   |       | ●             | ●             |               |  |
| 31   |         | 1297 206 082     | 001 265 2905 | Fork                    | 1    |                   |       | ●             | ●             |               |  |
| 32   |         | 1295 206 253     |              | Fork                    | 1    |                   | ●     |               |               |               |  |
| 32   |         | 1295 206 252     |              | Fork                    | 1    |                   | ●     |               |               |               |  |
| 32   |         | 1297 206 172     | 001 265 7905 | Fork                    | 1    |                   |       | ●             | ●             |               |  |
| 32   |         | 1297 206 173     |              | Fork                    | 1    |                   |       | ●             | ●             |               |  |
| 32   |         | 1297 206 184     | 001 265 8805 | Fork                    | 1    |                   |       | ●             |               |               |  |
| 33   |         | 1313 312 002     | 000 265 3701 | Fork                    | 1    |                   | ●     | ●             | ●             |               |  |
| 34   |         | 1295 312 017     |              | Rod                     | 1    |                   | ●     |               |               |               |  |
| 34   |         | 1297 312 007     | 000 265 9105 | Rod                     | 1    |                   |       | ●             | ●             |               |  |
| 35   | 132.046 | 1296 312 042     | 000 267 0519 | Cylinder                | 1    |                   | ●     | ●             | ●             |               |  |
| 36   | 139.331 | 0750 112 034     | 000 267 0697 | Cap Collar D.25x38x14,2 | 1    |                   | ●     | ●             | ●             |               |  |
| 37   | 189.421 | 1296 312 053     | 000 267 0918 | Piston                  | 1    |                   | ●     | ●             | ●             |               |  |
| 38   |         | 0750 112 089     | 000 267 0997 | Ring 53x63x16,2         | 1    |                   | ●     | ●             | ●             |               |  |
| 39   |         | 0737 006 095     | 000 990 9658 | Nut                     | 1    |                   | ●     | ●             | ●             |               |  |
| 40   |         | 0750 132 032     |              | Cylinder                | 1    |                   | ●     | ●             | ●             |               |  |
| 40   | 280.350 | 1295 212 008     | 001 260 5957 | Cylinder                | 1    |                   | ●     | ●             | ●             |               |  |
| 40   |         | 0750 132 033     | 001 260 3057 | Cylinder                | 1    |                   |       | ●             |               |               |  |
| 41   | 141.085 | 1296 334 004     | 000 265 0649 | Bronze Slide            | 2    |                   | ●     | ●             | ●             |               |  |
| 42   |         | 1313 234 011     | 002 265 1005 | Fork                    | 1    |                   | ●     |               |               |               |  |
| 42   | 149.171 | 1312 234 002     | 002 265 0205 | Fork Lever              | 1    |                   |       | ●             | ●             |               |  |
| 43   | 139.331 | 0750 112 034     | 000 267 0697 | Cap Collar D.25x38x14,2 | 1    |                   | ●     | ●             | ●             |               |  |
| 44   | 189.422 | 1296 334 039     | 000 267 0818 | Piston                  | 1    |                   | ●     | ●             | ●             |               |  |
| 45   | 132.047 | 1295 334 075     | 000 267 2119 | Cylinder                | 1    |                   | ●     | ●             | ●             |               |  |
| 46   | 198.339 | 1268 298 938     |              | Spring Slide Set        | 1    |                   | ●     | ●             | ●             |               |  |
| 47   | 198.564 | CEI 198564       |              | Spring Slide Set        | 1    |                   | ●     | ●             | ●             |               |  |
| 48   | 198.842 | 1295 298 933     |              | Spring Slide Set        | 1    |                   | ●     | ●             | ●             |               |  |
| 49   | 198.447 | CEI 198447       |              | Gear Set                | 1    |                   | ●     |               |               |               |  |
| 50   | 198.856 | CEI 198856       |              | Synchronizer cone kit   | 1    | Can repl. fig. 15 | ●     | ●             | ●             |               |  |
| 51   | 135.128 | CEI 135128       |              | Saddle Plate            | 1    | Use with fig.52   | ●     | ●             | ●             |               |  |
| 52   | 109.174 | 1296 333 050     |              | Synchronizer Cone       | 1    | Use with fig.51   | ●     | ●             | ●             |               |  |

Notes

Date

03 / 2006

Table

001 / B

All original equipment manufacturers numbers, symbols, pictures, models and description used in this catalogue are for reference only, and it is not implied that any part listed is the product of these manufactures.  
Tutti i nostri particolari non sono originali ma con essi intercambiabili. I riferimenti originali, le figure, i modelli sono esposti a semplice titolo indicativo. La nostra produzione riporta il nostro marchio.



suitable to :

**Z.F.****EcoSplit I****From 16S112 to 16S190****ECO I**  
From 16S112  
To 16S190**Application**

|                 | <b>16S112</b> | <b>16S130</b> | <b>16S160</b> | <b>16S190</b> |
|-----------------|---------------|---------------|---------------|---------------|
|                 | (1296)        | (1295)        | (1297)        | (1297)        |
| <b>MERCEDES</b> |               |               |               |               |
| <b>M.A.N.</b>   |               |               |               |               |
| <b>IVECO</b>    |               |               |               |               |
| <b>R.V.I.</b>   |               |               |               |               |
| <b>DAF</b>      |               |               |               |               |
| <b>VOLVO</b>    |               |               |               |               |

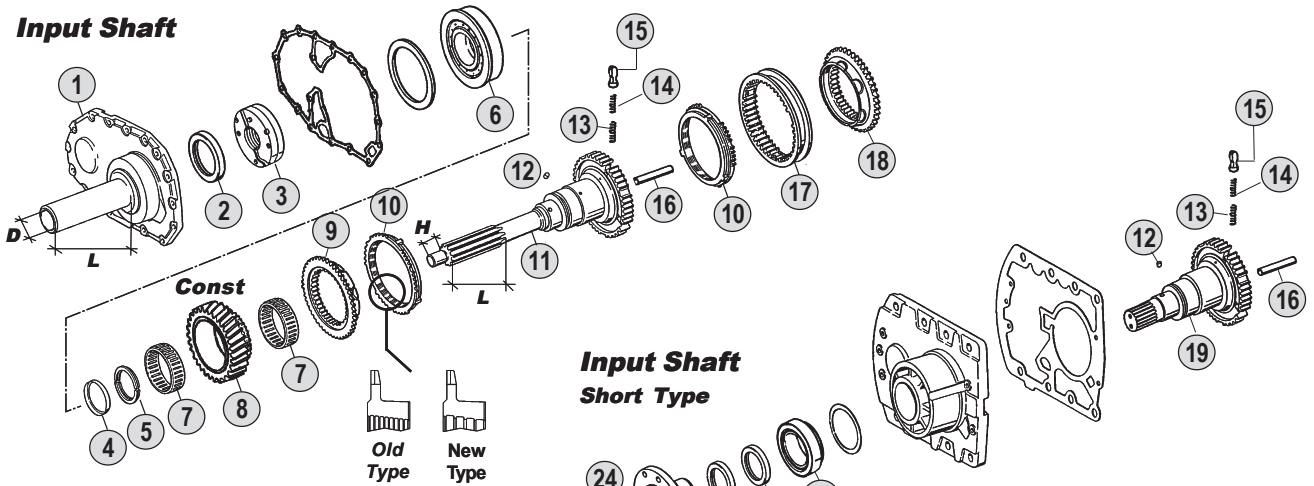
**Ratios**

|               | <b>R.10,14-0,72</b> | <b>R.11,46-0,85</b> | <b>R.13,68-1,00</b> | <b>R.14,29-0,82</b> | <b>R.17,06-1,00</b> |
|---------------|---------------------|---------------------|---------------------|---------------------|---------------------|
|               | <b>A</b>            | <b>B</b>            | <b>C</b>            | <b>D</b>            | <b>E</b>            |
| <b>16S112</b> |                     |                     |                     |                     |                     |
| <b>16S130</b> |                     |                     |                     |                     |                     |
| <b>16S160</b> |                     |                     |                     |                     |                     |
| <b>16S190</b> |                     |                     |                     |                     |                     |

Suitable To: **ZF**

**16S112 - 16S130 - 16S160 - 16S190**

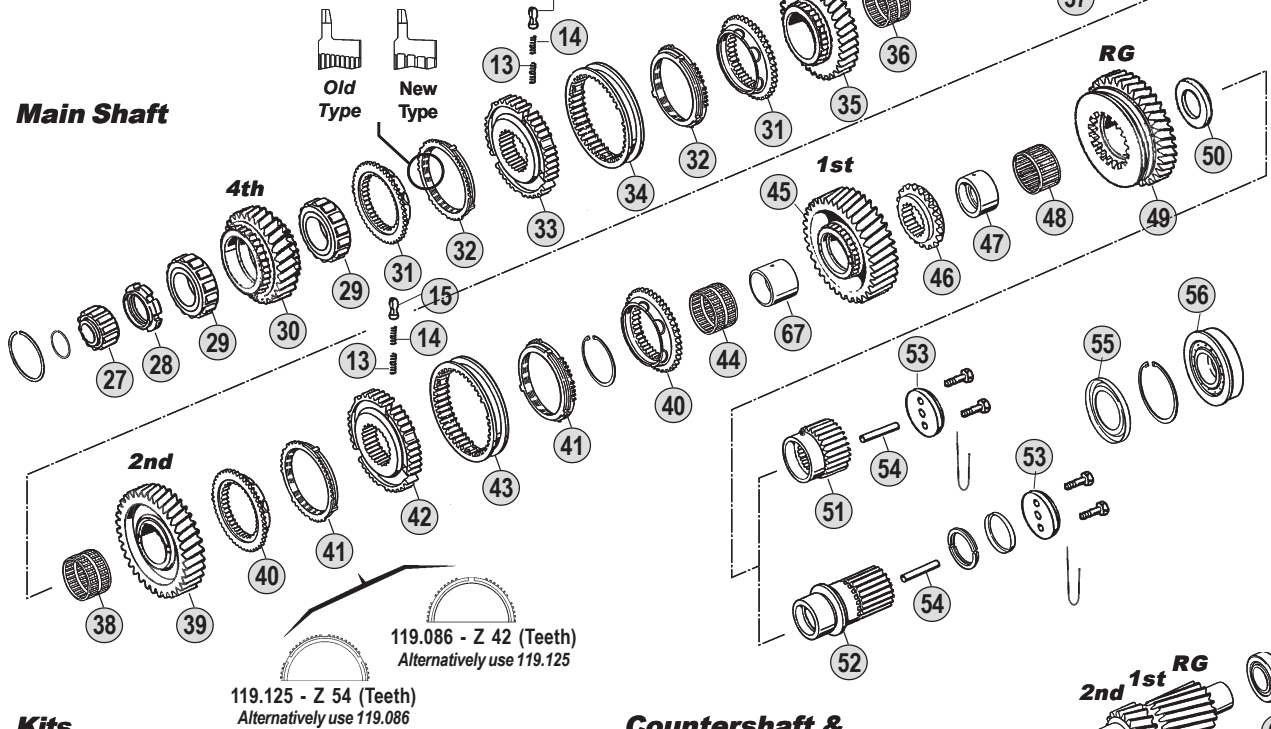
**Input Shaft**



**Springs & Slides Kits**

|               |               |               |
|---------------|---------------|---------------|
| x 3           | x 6           | x 9           |
| x 3           | x 6           | x 9           |
| x 3           | x 6           | x 9           |
| <b>Kit 68</b> | <b>Kit 69</b> | <b>Kit 70</b> |

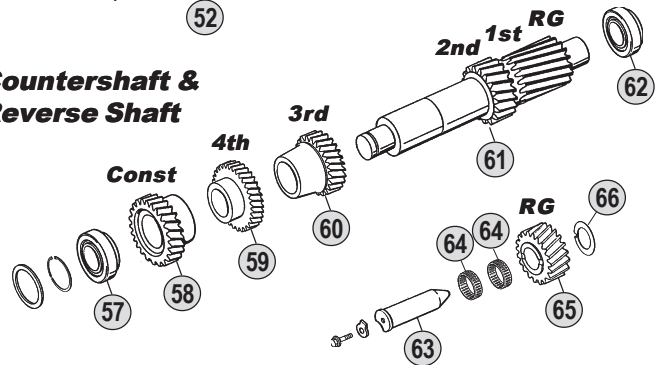
**Main Shaft**



**Kits**



**Countershaft & Reverse Shaft**



**Ratios**

|               |              |                 |                 |                 |              |
|---------------|--------------|-----------------|-----------------|-----------------|--------------|
| <b>16S112</b> | A:--         | B: 11,46 - 0,85 | C: 13,68 - 1,00 | D:--            | E:--         |
| <b>16S130</b> | A:10,14-0,72 | B: 11,46 - 0,85 | C: 13,68 - 1,00 | D: 14,29 - 0,82 | E:--         |
| <b>16S160</b> | A:--         | B: 11,46 - 0,85 | C: 13,68 - 1,00 | D: 14,29 - 0,82 | E:17,06-1,00 |
| <b>16S190</b> | A:--         | B: 11,46 - 0,85 | C: 13,68 - 1,00 | D: 14,29 - 0,82 | E:17,06-1,00 |



All original equipment manufacturers' numbers, symbols, pictures, models and description used in this catalogue are for reference only, and it is not implied that any part listed is the product of these manufactures. Tutti i nostri particolari non sono originali ma con essi intercambiabili. I riferimenti originali, le figure, i modelli sono esposti a semplice titolo indicativo. La nostra produzione riporta il nostro marchio.

16S112 (1296)  
16S130 (1295)  
16S160 (1297)  
16S190 (1297)

| Fig. | CEI no.        | O.E.M. Reference |              | Description               | Q.ty | Note                | Ratio |               |               |               |               |  |
|------|----------------|------------------|--------------|---------------------------|------|---------------------|-------|---------------|---------------|---------------|---------------|--|
|      |                | ZF no.           | MB no.       |                           |      |                     |       | 16S112 (1296) | 16S130 (1295) | 16S160 (1297) | 16S190 (1297) |  |
| 1    |                | 1297 302 012     | 000 262 3329 | Front Cover               | 1    | L=170 D=54          | ●     | ●             |               |               |               |  |
| 1    |                | 1297 302 042     | 000 262 3429 | Front Cover               | 1    | L=170 D=60          |       | ●             | ●             | ●             |               |  |
| 2    |                | 0750 111 002     | 008 997 3847 | Oil Seal 48x75x8          | 1    |                     | ●     | ●             | ●             | ●             |               |  |
| 2    |                | 0634 310 733     | 006 997 0146 | Oil Seal 90x110x13        | 1    | (1)                 | ●     | ●             | ●             | ●             |               |  |
| 2    | 139.754        | 0734 310 386     | 023 997 9447 | Oil Seal 55x75x8          | 1    | (5)                 |       | ●             | ●             | ●             |               |  |
| 3    | <b>280.348</b> | 1295 202 041     | 000 260 1290 | Oil Pump                  | 1    |                     | ●     | ●             | ●             | ●             |               |  |
| 4    | 169.754        | 0730 061 816     | 000 262 0673 | Securing Ring             | 1    |                     | ●     | ●             | ●             | ●             |               |  |
| 4    | 169.755        | 0730 062 579     | 000 262 1073 | Securing Ring             | 1    | S.4,20 mm           | ●     | ●             | ●             | ●             |               |  |
| 5    |                | 0730 103 244     | 000 262 1530 | Split Ring T.4,30 mm      | 1    | S.4,30 mm (2)       | ●     | ●             | ●             | ●             |               |  |
| 5    |                | 0730 103 935     | 000 262 4230 | Split Ring T.3,80 mm      | 1    | S.3,80 mm (2)       | ●     | ●             | ●             | ●             |               |  |
| 5    |                | 0730 105 156     | 000 262 4430 | Split Ring T.4,00 mm      | 1    | S.4,00 mm (3)       | ●     | ●             | ●             | ●             |               |  |
| 5    |                | 0730 105 154     | 000 262 4630 | Split Ring T.3,80 mm      | 1    | S.3,80 mm (3)       | ●     | ●             | ●             | ●             |               |  |
| 6    | 130.305        | 0750 118 131     | 007 981 2801 | Bearing D.80x150x27,50    | 1    |                     | ●     | ●             | ●             | ●             |               |  |
| 6    | 130.517        | 0750 118 007     | 004 981 7401 | Bearing                   | 1    | (4)                 | ●     | ●             | ●             |               |               |  |
| 7    | 137.139        | 0735 320 799     | 012 981 0610 | Needle Cage D.88x96x23    | 2    |                     | ●     |               |               |               |               |  |
| 7    | <b>137.082</b> | 0735 320 786     | 005 981 9801 | Needle Cage D.88x96x24,50 | 2    |                     |       | ●             |               |               |               |  |
| 7    | <b>137.153</b> | 0735 320 896     | 013 981 1610 | Needle Cage D.88x96x29    | 2    |                     |       |               | ●             | ●             |               |  |
| 7    | 137.163        | 0735 358 155     | 005 981 3801 | Needle Cage               | 2    | (4)                 | ●     | ●             | ●             |               |               |  |
| 8    | 145.535        | 1296 302 002     |              | Constant Gear 30 T        | 1    |                     | ●     |               |               |               |               |  |
| 8    | <b>145.447</b> | 1296 302 003     | 000 262 3910 | Constant Gear 28 T        | 1    |                     | ●     |               |               |               |               |  |
| 8    | <b>145.448</b> | 1296 302 023     | 000 262 3010 | Constant Gear 28 T        | 1    | (4)                 | ●     |               |               |               |               |  |
| 8    | <b>145.276</b> | 1295 302 071     | 000 262 4010 | Constant Gear 28 T        | 1    |                     |       | ●             |               |               |               |  |
| 8    | <b>145.408</b> | 1295 302 074     | 000 262 3110 | Constant Gear 28 T        | 1    | (4)                 |       | ●             |               |               |               |  |
| 8    | 145.489        | 1295 302 070     | 000 262 5210 | Constant Gear 30 T        | 1    |                     |       | ●             |               |               |               |  |
| 8    | 145.541        | 1295 302 122     |              | Constant Gear 29 T        | 1    |                     |       | ●             |               |               |               |  |
| 8    | <b>145.466</b> | 1297 302 177     | 000 262 4610 | Constant Gear 30 T        | 1    |                     |       |               | ●             | ●             |               |  |
| 8    | <b>145.406</b> | 1297 302 176     | 000 262 4510 | Constant Gear 28 T        | 1    |                     |       |               | ●             | ●             |               |  |
| 8    | <b>145.449</b> | 1297 302 074     | 000 262 3210 | Constant Gear 28 T        | 1    | (4)                 |       |               | ●             |               |               |  |
| 8    | <b>145.405</b> | 1297 302 250     | 000 262 5810 | Constant Gear 29 T        | 1    |                     |       |               | ●             | ●             |               |  |
| 8    | <b>145.407</b> | 1297 302 241     |              | Constant Gear 26 T        | 1    |                     |       |               | ●             | ●             |               |  |
| 9    | <b>109.072</b> | 1295 304 278     | 000 262 1940 | Synchronizer Cone         | 1    |                     | ●     | ●             | ●             | ●             |               |  |
| 9    | <b>109.083</b> | 1295 304 165     | 000 262 1440 | Synchronizer Cone         | 1    | (4)                 | ●     | ●             | ●             |               |               |  |
| 10   | <b>119.084</b> | 1295 304 004     | 000 262 2034 | Synchronizer Ring         | 2    | Old Type            | ●     | ●             | ●             | ●             |               |  |
| 10   | <b>119.175</b> | 1304 304 686     | 000 262 9934 | Synchronizer Ring         | 2    | New Type            | ●     | ●             | ●             | ●             |               |  |
| 11   | <b>102.222</b> | 1296 202 001     | 001 262 2002 | Input Shaft               | 1    | L=110 H=33          | ●     |               |               |               |               |  |
| 11   |                | 1296 221 001     | 001 262 0902 | Input Shaft               | 1    | NMV130 (Clutch PTO) | ●     |               |               |               |               |  |
| 11   |                | 1296 221 002     | 001 262 3302 | Input Shaft               | 1    | NMV130 (Clutch PTO) | ●     |               |               |               |               |  |
| 11   | 102.248        | 1296 202 004     | 000 262 9402 | Input Shaft               | 1    | L=115 H=32(4)       | ●     |               |               |               |               |  |
| 11   | 102.230        | 1295 202 004     | 001 262 1802 | Input Shaft               | 1    | L=115 H=32          |       | ●             |               |               |               |  |
| 11   | <b>102.221</b> | 1295 202 028     | 001 262 1902 | Input Shaft               | 1    | L=125 H=30          |       | ●             |               |               |               |  |
| 11   |                | 1295 221 001     | 001 262 1302 | Input Shaft               | 1    | NMV130 (Clutch PTO) |       | ●             |               |               |               |  |
| 11   |                | 1295 221 003     | 001 262 3802 | Input Shaft               | 1    | NMV130 (Clutch PTO) |       | ●             |               |               |               |  |
| 11   |                | 1295 202 019     | 001 262 0202 | Input Shaft               | 1    | (4)                 |       | ●             |               |               |               |  |
| 11   | <b>102.223</b> | 1297 202 053     | 001 262 2802 | Input Shaft               | 1    | L=125 H=30          |       |               | ●             | ●             |               |  |
| 11   |                | 1297 202 061     | 001 262 3202 | Input Shaft               | 1    |                     |       |               | ●             | ●             |               |  |

## Notes

- (1) Only for input Shaft 1295 221 001/003 - 1296 221 001/002 - 1297 221 005/006/009
- (2) To be coupled together with Fig. 4 - 0730 061 816
- (3) To be coupled together with Fig. 4 - 0730 062 579
- (4) Special MB Version. Use items marked (4) together
- (5) Only for input Shaft 1295 202 028 - 1297 202 030/053/061
- (6) Old Type. Old Syncro Ring Ø 175.5 mm (Z 57 or 30) - Standard Syncro Ring Ø 192 mm (Z 63 or 54)  
Use items marked (6) together

## Date

03 / 2006

## Table

002 / A

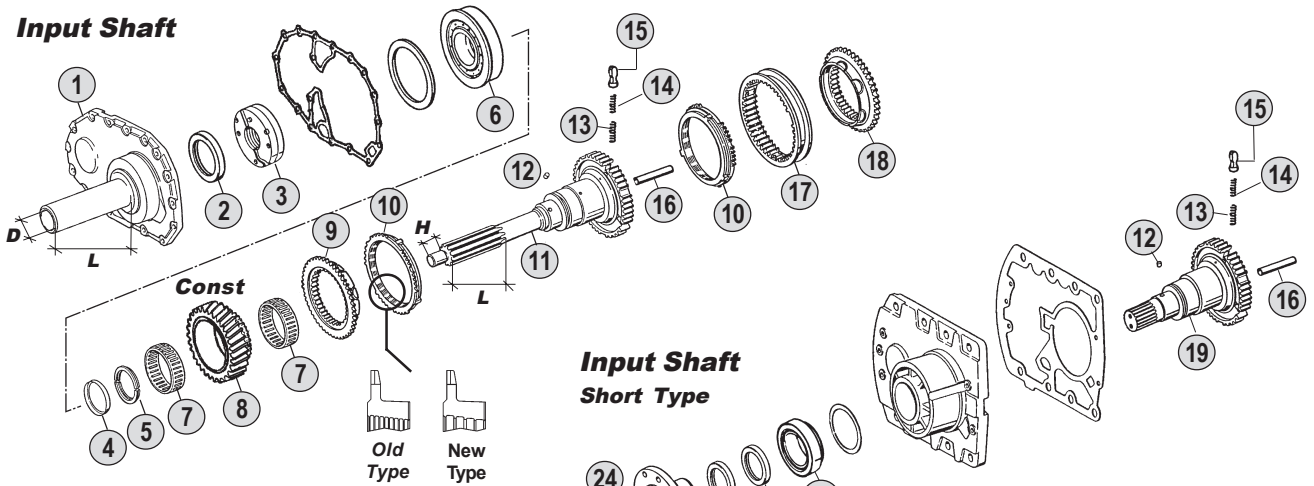
All original equipment manufacturers numbers, symbols, pictures and description used in this catalogue are for reference only, and it is not implied that any part listed is the product of these manufactures.  
Tutti i nostri particolari non sono originali ma con essi intercambiabili. I riferimenti originali, le figure, i modelli sono esposti a semplice titolo indicativo. La nostra produzione riporta il nostro marchio.



Suitable To: **ZF**

**16S112 - 16S130 - 16S160 - 16S190**

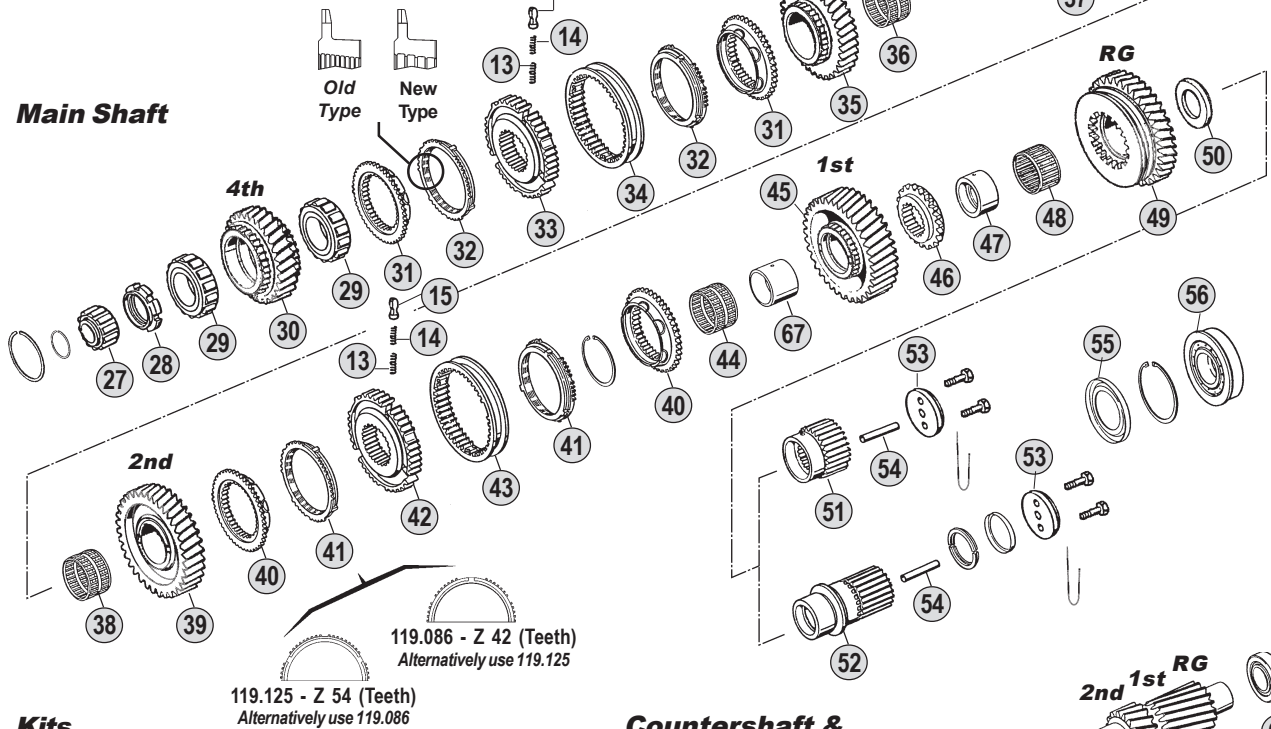
**Input Shaft**



**Springs & Slides Kits**

|               |               |               |
|---------------|---------------|---------------|
| x 3           | x 6           | x 9           |
| x 3           | x 6           | x 9           |
| x 3           | x 6           | x 9           |
| <b>Kit 68</b> | <b>Kit 69</b> | <b>Kit 70</b> |

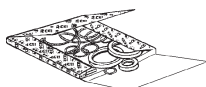
**Main Shaft**



**Kits**

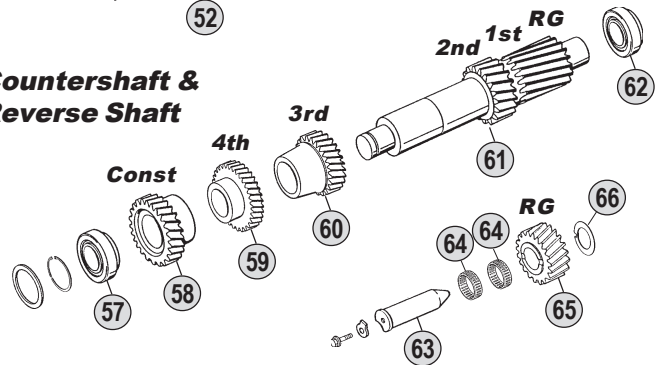


**Gasket Kit 72**



**Oil Seal Kit 71**

**Countershaft & Reverse Shaft**



**Ratios**

|               |              |                 |                 |                 |              |
|---------------|--------------|-----------------|-----------------|-----------------|--------------|
| <b>16S112</b> | A:--         | B: 11,46 - 0,85 | C: 13,68 - 1,00 | D:--            | E:--         |
| <b>16S130</b> | A:10,14-0,72 | B: 11,46 - 0,85 | C: 13,68 - 1,00 | D: 14,29 - 0,82 | E:--         |
| <b>16S160</b> | A:--         | B: 11,46 - 0,85 | C: 13,68 - 1,00 | D: 14,29 - 0,82 | E:17,06-1,00 |
| <b>16S190</b> | A:--         | B: 11,46 - 0,85 | C: 13,68 - 1,00 | D: 14,29 - 0,82 | E:17,06-1,00 |



All original equipment manufacturers' numbers, symbols, pictures, models and description used in this catalogue are for reference only, and it is not implied that any part listed is the product of these manufactures. Tutti i nostri particolari non sono originali ma con essi intercambiabili. I riferimenti originali, le figure, i modelli sono esposti a semplice titolo indicativo. La nostra produzione riporta il nostro marchio.

16S112 (1296)  
16S130 (1295)  
16S160 (1297)  
16S190 (1297)

| Fig. | CEI no. | O.E.M. Reference |                 | Description                 | Q.ty | Note                | Ratio |               |               |               |               |  |
|------|---------|------------------|-----------------|-----------------------------|------|---------------------|-------|---------------|---------------|---------------|---------------|--|
|      |         | ZF no.           | MB no.          |                             |      |                     |       | 16S112 (1296) | 16S130 (1295) | 16S160 (1297) | 16S190 (1297) |  |
| 11   | 102.233 | 1297 202 030     | 001 262 0302    | Input Shaft                 | 1    | L=140H=30(4)        |       |               | ●             |               |               |  |
| 11   |         | 1297 221 005     |                 | Input Shaft                 | 1    | NMV130 (Clutch PTO) |       |               | ●             |               |               |  |
| 11   |         | 1297 221 006     |                 | Input Shaft                 | 1    | NMV130 (Clutch PTO) |       |               | ●             |               |               |  |
| 11   |         | 1297 221 009     |                 | Input Shaft                 | 1    | NMV130 (Clutch PTO) |       |               | ●             |               |               |  |
| 12   |         | 0635 470 012     | 005 402 007 200 | Pin                         | 1    |                     | ●     | ●             | ●             | ●             |               |  |
| 13   | 156.037 | 0732 040 385     | 336 264 0693    | Outer Spring De.6x34        | 3    |                     | ●     | ●             | ●             | ●             |               |  |
| 14   | 156.036 | 0732 040 386     | 336 264 0793    | Inner Spring De.3x34        | 3    |                     | ●     | ●             | ●             | ●             |               |  |
| 15   | 160.116 | 1240 304 278     | 336 264 0239    | Pressure piece              | 3    |                     | ●     | ●             | ●             | ●             |               |  |
| 16   | 188.208 | 0730 062 323     | 000 261 0766    | Oil Tube                    | 1    |                     | ●     | ●             | ●             | ●             |               |  |
| 17   | 154.097 | 1295 304 002     | 000 262 3623    | Sliding Sleeve              | 1    |                     | ●     | ●             | ●             | ●             |               |  |
| 18   | 109.072 | 1295 304 278     | 000 262 1940    | Synchronizer Cone           | 1    |                     | ●     | ●             | ●             | ●             |               |  |
| 19   | 102.237 | 1297 202 044     | 001 262 3002    | Input Shaft                 | 1    |                     |       |               | ●             | ●             |               |  |
| 20   |         | 0750 117 651     | 009 981 2901    | Bearing 50x90x24,7          | 1    |                     |       |               | ●             | ●             |               |  |
| 21   |         | 0634 310 648     | 009 997 5846    | Oil Seal 70x90x10           | 1    |                     |       |               | ●             | ●             |               |  |
| 22   |         | 0734 300 140     | 013 997 3947    | Oil Seal 70x90x10           | 1    |                     |       |               | ●             | ●             |               |  |
| 23   | 155.135 | 1286 304 026     |                 | Drive Flange                | 1    | D.150-8H.           |       |               | ●             | ●             |               |  |
| 23   |         | 1297 302 171     | 000 264 5045    | Drive Flange                | 1    | D.150-8H.           |       |               |               | ●             |               |  |
| 24   | 188.078 | 1269 302 065     | 000 262 2462    | Stop Washer                 | 1    |                     |       |               | ●             | ●             |               |  |
| 26   |         | 1269 302 164     | 000 264 0273    | Stop Washer                 | 1    |                     |       |               | ●             | ●             |               |  |
| 27   | 137.081 | 0750 118 010     | 001 981 9912    | Roller Cage D.30x60x25,50   | 1    |                     | ●     | ●             |               |               |               |  |
| 27   | 137.113 | 0750 118 038     | 004 981 8001    | Roller Cage D.35x68x27,50   | 1    |                     |       |               | ●             | ●             |               |  |
| 28   | 187.412 | 0737 502 092     | 000 990 2360    | Grooved Nut M60x1,5         | 1    |                     | ●     | ●             | ●             | ●             |               |  |
| 29   | 137.155 | 0750 118 012     | 004 981 7601    | Roller Cage D.63x97,5x31,7  | 2    |                     | ●     |               |               |               |               |  |
| 29   | 137.083 | 0750 118 005     | 004 981 7801    | Roller Cage D.63x97,5x34,80 | 2    |                     |       | ●             |               |               |               |  |
| 29   | 137.157 | 0750 118 220     | 008 981 6901    | Roller Cage D.63x97,5x37,50 | 2    |                     |       |               | ●             | ●             |               |  |
| 30   | 146.448 | 1296 304 091     |                 | Gear 4th Speed 28 T         | 1    |                     | B     | ●             |               |               |               |  |
| 30   | 146.362 | 1296 304 090     | 000 262 2414    | Gear 4th Speed 30 T         | 1    |                     | C     | ●             |               |               |               |  |
| 30   | 146.212 | 1295 304 135     | 000 262 2514    | Gear 4th Speed 30 T         | 1    |                     | AC    |               | ●             |               |               |  |
| 30   | 146.356 | 1295 304 136     | 000 262 4814    | Gear 4th Speed 28 T         | 1    |                     | B     | ●             |               |               |               |  |
| 30   | 146.454 | 1295 304 236     |                 | Gear 4th Speed 26 T         | 1    |                     | D     | ●             |               |               |               |  |
| 30   | 146.384 | 1297 304 267     | 000 262 4214    | Gear 4th Speed 28 T         | 1    |                     | B     |               |               | ●             | ●             |  |
| 30   | 146.318 | 1297 304 260     | 000 262 4414    | Gear 4th Speed 30 T         | 1    |                     | C     |               |               | ●             | ●             |  |
| 30   | 146.315 | 1297 304 318     | 000 262 6014    | Gear 4th Speed 26 T         | 1    |                     | D     |               |               | ●             | ●             |  |
| 30   | 146.294 | 1297 304 413     |                 | Gear 4th Speed 29 T         | 1    |                     | E     |               |               | ●             | ●             |  |
| 31   | 109.072 | 1295 304 278     | 000 262 1940    | Synchronizer Cone           | 2    |                     |       | ●             | ●             | ●             | ●             |  |
| 32   | 119.084 | 1295 304 004     | 000 262 2034    | Synchronizer Ring           | 2    | Old Type            |       | ●             | ●             | ●             | ●             |  |
| 32   | 119.175 | 1304 304 686     | 000 262 9934    | Synchronizer Ring           | 2    | New Type            |       | ●             | ●             | ●             | ●             |  |
| 33   | 157.110 | 1297 304 031     | 000 262 3935    | Synchronizer Hub            | 1    |                     |       | ●             | ●             | ●             | ●             |  |
| 34   | 154.097 | 1295 304 002     | 000 262 3623    | Sliding Sleeve              | 1    |                     |       | ●             | ●             | ●             | ●             |  |
| 35   | 145.536 | 1296 304 088     |                 | Gear 3rd Speed 32 T         | 1    |                     | B     | ●             |               |               |               |  |
| 35   | 145.494 | 1296 304 087     | 000 262 3113    | Gear 3rd Speed 34 T         | 1    |                     | C     | ●             |               |               |               |  |
| 35   |         | 1295 304 269     |                 | Gear 3rd Speed 25 T         | 1    |                     | A     |               | ●             |               |               |  |
| 35   | 145.495 | 1295 304 127     | 000 262 7113    | Gear 3rd Speed 32 T         | 1    |                     | BD    |               | ●             |               |               |  |
| 35   | 145.277 | 1295 304 128     | 000 262 3213    | Gear 3rd Speed 34 T         | 1    |                     | C     | ●             |               |               |               |  |
| 35   | 145.470 | 1297 304 266     | 000 262 6213    | Gear 3rd Speed 32 T         | 1    |                     | BD    |               |               | ●             | ●             |  |

## Notes

- (1) Only for input Shaft 1295 221 001/003 - 1296 221 001/002 - 1297 221 005/006/009
- (2) To be coupled together with Fig. 4 - 0730 061 816
- (3) To be coupled together with Fig. 4 - 0730 062 579
- (4) Special MB Version. Use items marked (4) together
- (5) Only for input Shaft 1295 202 028 - 1297 202 030/053/061
- (6) Old Type. Old Syncro Ring Ø 175.5 mm (Z 57 or 30) - Standard Syncro Ring Ø 192 mm (Z 63 or 54)  
Use items marked (6) together

## Date

03 / 2006

## Table

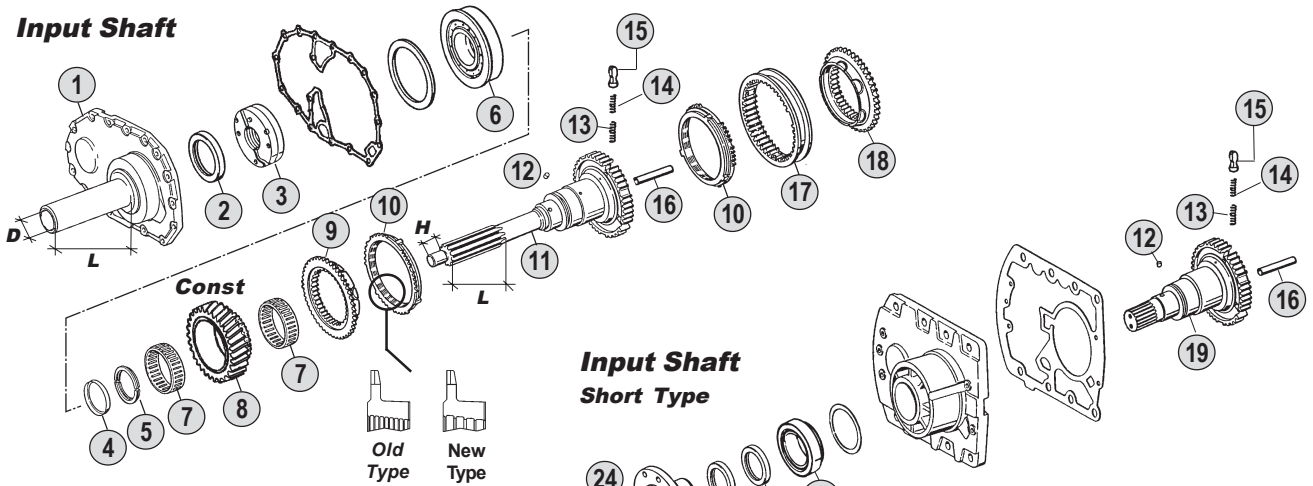
002 / A

All original equipment manufacturers numbers, symbols, pictures, models and description used in this catalogue are for reference only, and it is not implied that any part listed is the product of these manufactures.  
Tutti i nostri particolari non sono originali ma con essi intercambiabili. I riferimenti originali, le figure, i modelli sono esposti a semplice titolo indicativo. La nostra produzione riporta il nostro marchio.

Suitable To: **ZF**

**16S112 - 16S130 - 16S160 - 16S190**

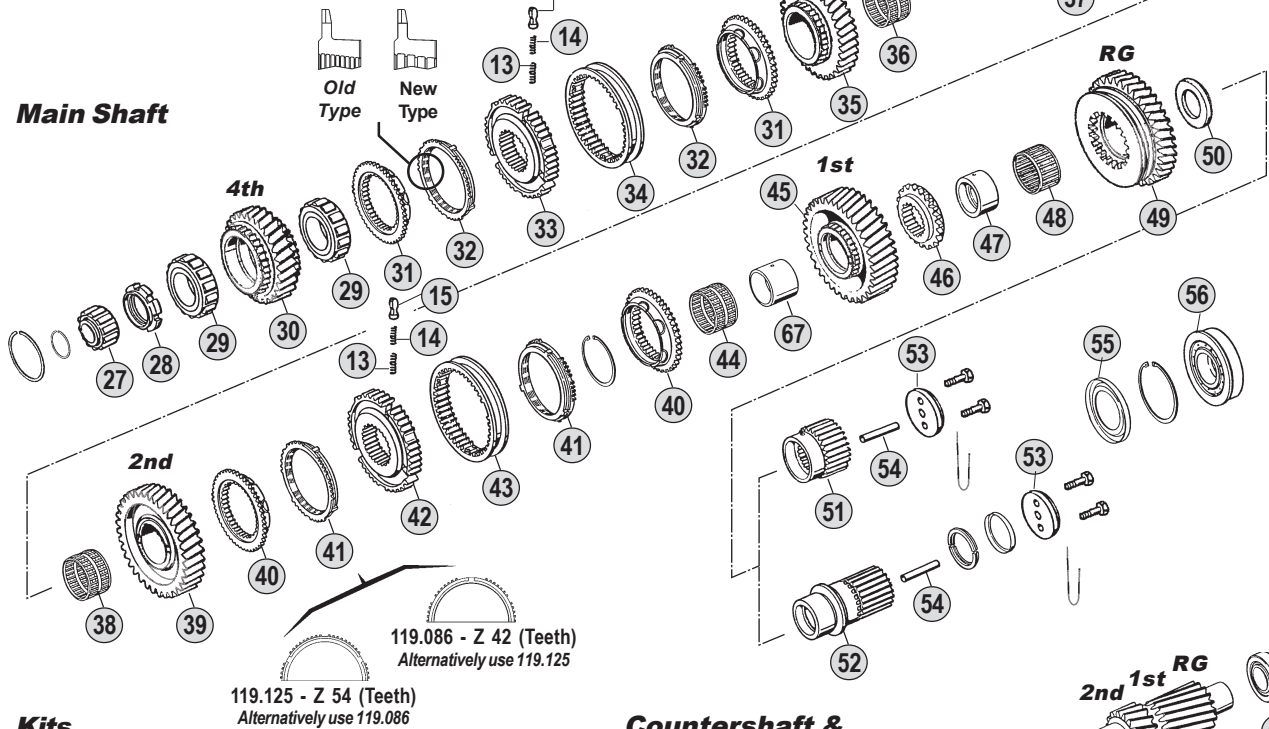
**Input Shaft**



**Springs & Slides Kits**

|               |               |               |
|---------------|---------------|---------------|
| x 3           | x 6           | x 9           |
| x 3           | x 6           | x 9           |
| x 3           | x 6           | x 9           |
| <b>Kit 68</b> | <b>Kit 69</b> | <b>Kit 70</b> |

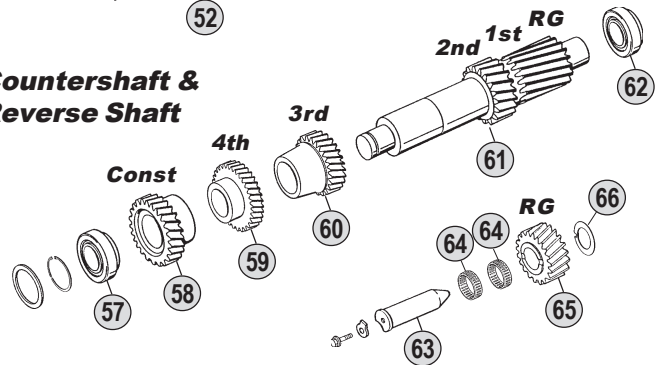
**Main Shaft**



**Kits**



**Countershaft & Reverse Shaft**



**Ratios**

|               |              |                 |                 |                 |              |
|---------------|--------------|-----------------|-----------------|-----------------|--------------|
| <b>16S112</b> | A:--         | B: 11,46 - 0,85 | C: 13,68 - 1,00 | D:--            | E:--         |
| <b>16S130</b> | A:10,14-0,72 | B: 11,46 - 0,85 | C: 13,68 - 1,00 | D: 14,29 - 0,82 | E:--         |
| <b>16S160</b> | A:--         | B: 11,46 - 0,85 | C: 13,68 - 1,00 | D: 14,29 - 0,82 | E:17,06-1,00 |
| <b>16S190</b> | A:--         | B: 11,46 - 0,85 | C: 13,68 - 1,00 | D: 14,29 - 0,82 | E:17,06-1,00 |



All original equipment manufacturers' numbers, symbols, pictures, models and description used in this catalogue are for reference only, and it is not implied that any part listed is the product of these manufactures. Tutti i nostri particolari non sono originali ma con essi intercambiabili. I riferimenti originali, le figure, i modelli sono esposti a semplice titolo indicativo. La nostra produzione riporta il nostro marchio.

## O.E.M. Reference

| Fig. | CEI no. | O.E.M. Reference |              | Description                  | Q.ty | Note                    | Ratio |               |               |               |               |  |  |
|------|---------|------------------|--------------|------------------------------|------|-------------------------|-------|---------------|---------------|---------------|---------------|--|--|
|      |         | ZF no.           | MB no.       |                              |      |                         |       | 16S112 (1296) | 16S130 (1295) | 16S160 (1297) | 16S190 (1297) |  |  |
| 35   | 145.450 | 1297 304 261     | 000 262 6913 | Gear 3rd Speed 34 T          | 1    |                         | C     |               |               | ●             | ●             |  |  |
| 35   | 145.377 | 1297 304 414     |              | Gear 3rd Speed 34 T          | 1    |                         | E     |               |               | ●             | ●             |  |  |
| 36   | 137.158 | 0735 320 460     | 010 981 3010 | Needle Cage D.82x90x46       | 1    |                         |       | ●             |               |               |               |  |  |
| 36   | 137.084 | 0735 320 418     | 010 981 3510 | Needle Cage D.82x90x49       | 1    |                         |       |               | ●             |               |               |  |  |
| 36   | 137.112 | 0735 320 451     | 010 981 4010 | Needle Cage D.82x90x60       | 1    |                         |       |               |               | ●             | ●             |  |  |
| 37   | 103.131 | 1296 304 119     | 000 262 2505 | Main Shaft                   | 1    |                         |       | ●             |               |               |               |  |  |
| 37   |         | 1295 304 273     |              | Main Shaft                   | 1    |                         | A     |               | ●             |               |               |  |  |
| 37   | 103.075 | 1295 304 245     | 000 262 2605 | Main Shaft                   | 1    |                         | BC    |               | ●             |               |               |  |  |
| 37   | 103.140 | 1295 304 250     |              | Main Shaft                   | 1    |                         | D     |               | ●             |               |               |  |  |
| 37   | 103.132 | 1297 304 181     | 000 262 2705 | Main Shaft                   | 1    |                         | BC    |               |               | ●             | ●             |  |  |
| 37   | 103.098 | 1297 304 193     | 000 262 4405 | Main Shaft                   | 1    |                         | DE    |               |               | ●             | ●             |  |  |
| 38   |         | 0735 320 549     | 010 981 3310 | Needle Cage D.82x90x42       | 1    |                         |       | ●             |               |               |               |  |  |
| 38   | 137.112 | 0735 320 451     | 010 981 4010 | Needle Cage D.82x90x60       | 1    |                         | A     |               | ●             |               |               |  |  |
| 38   | 137.084 | 0735 320 418     | 010 981 3510 | Needle Cage D.82x90x49       | 1    |                         | BCD   |               | ●             |               |               |  |  |
| 38   | 137.109 | 0735 320 452     | 010 981 3710 | Needle Cage D.82x90x55       | 1    |                         |       |               |               | ●             | ●             |  |  |
| 39   | 145.537 | 1296 304 071     |              | Gear 2nd Speed 37 T          | 1    |                         | B     | ●             |               |               |               |  |  |
| 39   | 145.499 | 1296 304 070     | 000 262 2512 | Gear 2nd Speed 38 T          | 1    |                         | C     | ●             |               |               |               |  |  |
| 39   |         | 1295 304 271     |              | Gear 2nd Speed 34 T          | 1    |                         | A     |               | ●             |               |               |  |  |
| 39   | 145.501 | 1295 304 120     | 000 262 6312 | Gear 2nd Speed 37 T          | 1    |                         | BD    |               | ●             |               |               |  |  |
| 39   | 145.278 | 1295 304 121     | 000 262 2612 | Gear 2nd Speed 38 T          | 1    |                         | C     |               | ●             |               |               |  |  |
| 39   | 145.500 | 1297 304 269     | 000 262 5612 | Gear 2nd Speed 37 T          | 1    |                         | BD    |               |               | ●             | ●             |  |  |
| 39   | 145.375 | 1297 304 442     | 000 262 6512 | Gear 2nd Speed 38 T          | 1    |                         | CE    |               |               | ●             | ●             |  |  |
| 40   | 109.074 | 1297 304 196     | 000 262 2140 | Synchronizer Cone            | 2    |                         |       | ●             | ●             | ●             | ●             |  |  |
| 40   | 109.072 | 1295 304 278     | 000 262 1940 | Synchronizer Cone            | 2    | (6)                     |       | ●             | ●             |               |               |  |  |
| 41   | 119.125 | 1296 304 135     | 000 262 3734 | Synchronizer Ring            | 2    | Z 54 - Alt. use 119.086 |       | ●             | ●             | ●             | ●             |  |  |
| 41   | 119.086 | 1246 304 278     | 000 262 2434 | Synchronizer ring 42 T       | 2    | Z 42 - Alt. use 119.125 |       | ●             | ●             | ●             | ●             |  |  |
| 41   | 119.084 | 1295 304 004     | 000 262 2034 | Synchronizer Ring            | 2    | (6)                     |       | ●             | ●             |               |               |  |  |
| 42   | 157.111 | 1297 304 195     | 000 262 4435 | Synchronizer Hub             | 1    |                         |       | ●             | ●             | ●             | ●             |  |  |
| 42   | 157.110 | 1297 304 031     | 000 262 3935 | Synchronizer Hub             | 1    | (6)                     |       | ●             | ●             |               |               |  |  |
| 43   | 154.051 | 1257 304 020     | 336 262 0023 | Sliding Sleeve 1st-2nd Speed | 1    |                         |       | ●             | ●             | ●             | ●             |  |  |
| 43   | 154.097 | 1295 304 002     | 000 262 3623 | Sliding Sleeve               | 1    | (6)                     |       | ●             | ●             |               |               |  |  |
| 44   | 137.159 | 0735 320 548     | 010 981 3110 | Needle Cage D.70x78x46       | 1    |                         |       | ●             |               |               |               |  |  |
| 44   | 137.159 | 0735 320 548     | 010 981 3110 | Needle Cage D.70x78x46       | 1    |                         | A     |               | ●             |               |               |  |  |
| 44   | 137.085 | 0735 320 496     | 010 981 3610 | Needle Cage D.70x78x55       | 1    |                         | BCD   |               | ●             |               |               |  |  |
| 44   | 137.110 | 0735 320 487     | 010 981 3810 | Needle Cage D.82x90x68       | 1    |                         |       |               |               | ●             | ●             |  |  |
| 45   | 145.538 | 1296 304 100     |              | Gear 1st Speed 44 T          | 1    |                         | B     | ●             |               |               |               |  |  |
| 45   | 145.505 | 1296 304 099     | 000 262 4811 | Gear 1st Speed 47 T          | 1    |                         | C     | ●             |               |               |               |  |  |
| 45   |         | 1295 304 270     |              | Gear 1st Speed 41 T          | 1    |                         | A     |               | ●             |               |               |  |  |
| 45   | 145.506 | 1295 304 203     | 000 262 9011 | Gear 1st Speed 44 T          | 1    |                         | BD    |               | ●             |               |               |  |  |
| 45   | 145.279 | 1295 304 202     | 000 262 5011 | Gear 1st Speed 47 T          | 1    |                         | C     |               | ●             |               |               |  |  |
| 45   | 145.507 | 1297 304 270     | 000 262 8511 | Gear 1st Speed 44 T          | 1    |                         | BD    |               |               | ●             | ●             |  |  |
| 45   | 145.376 | 1297 304 441     | 000 262 9211 | Gear 1st Speed 47 T          | 1    |                         | CE    |               |               | ●             | ●             |  |  |
| 46   | 109.075 | 1295 304 206     | 000 262 1540 | Engaging Ring                | 1    |                         |       | ●             |               |               |               |  |  |
| 46   | 109.184 | 1295 304 024     |              | Engaging Ring                | 1    |                         | A     |               | ●             |               |               |  |  |
| 46   | 109.075 | 1295 304 206     | 000 262 1540 | Engaging Ring                | 1    |                         | BCD   |               | ●             |               |               |  |  |

## Notes

- (1) Only for input Shaft 1295 221 001/003 - 1296 221 001/002 - 1297 221 005/006/009
- (2) To be coupled together with Fig. 4 - 0730 061 816
- (3) To be coupled together with Fig. 4 - 0730 062 579
- (4) Special MB Version. Use items marked (4) together
- (5) Only for input Shaft 1295 202 028 - 1297 202 030/053/061
- (6) Old Type. Old Syncro Ring Ø 175.5 mm (Z 57 or 30) - Standard Syncro Ring Ø 192 mm (Z 63 or 54)  
Use items marked (6) together

## Date

03 / 2006

## Table

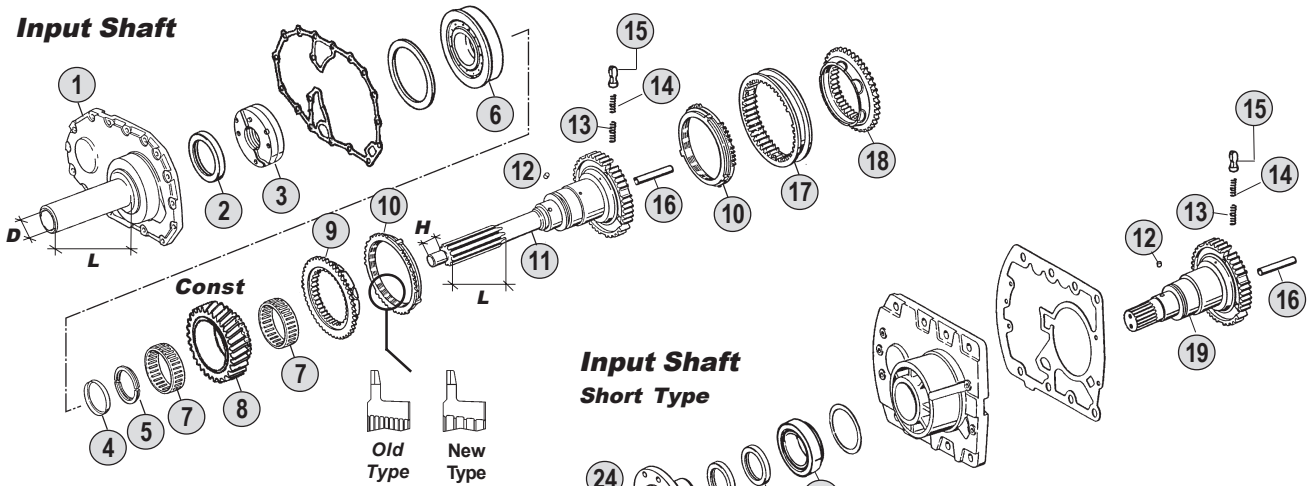
002 / A

All original equipment manufacturers numbers, symbols, pictures, models and description used in this catalogue are for reference only, and it is implied that any part listed is the product of these manufactures.  
Tutti i nostri particolari non sono originali ma con essi intercambiabili. I riferimenti originali, le figure, i modelli sono esposti a semplice titolo indicativo. La nostra produzione riporta il nostro marchio.

Suitable To: **ZF**

**16S112 - 16S130 - 16S160 - 16S190**

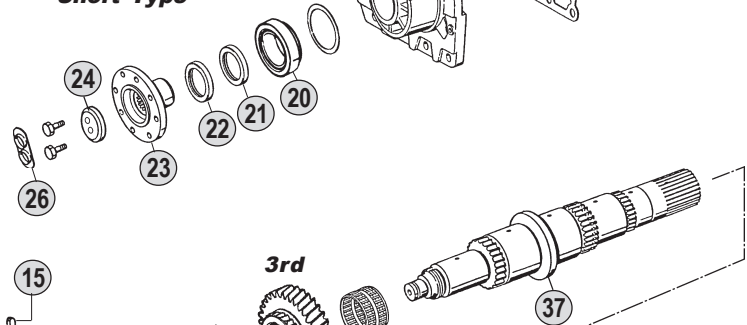
**Input Shaft**



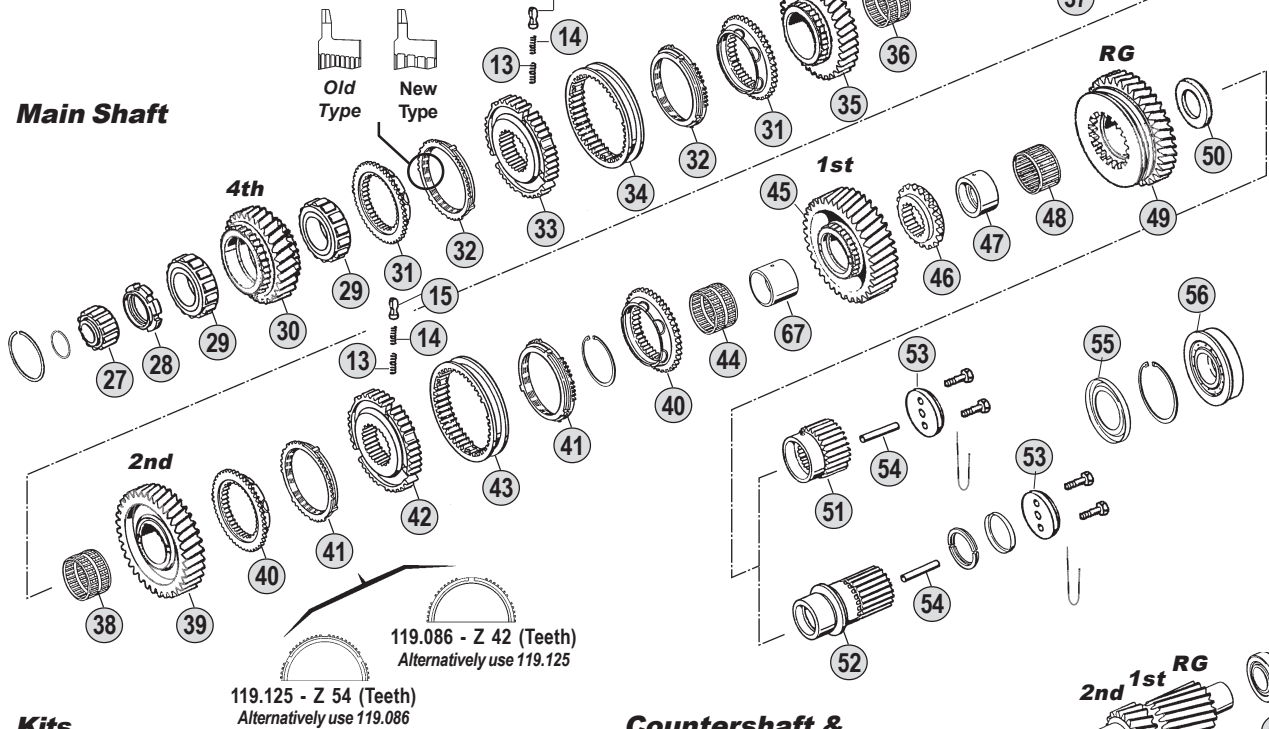
**Springs & Slides Kits**

|               |               |               |
|---------------|---------------|---------------|
| x 3           | x 6           | x 9           |
| x 3           | x 6           | x 9           |
| x 3           | x 6           | x 9           |
| <b>Kit 68</b> | <b>Kit 69</b> | <b>Kit 70</b> |

**Input Shaft Short Type**



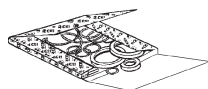
**Main Shaft**



**Kits**

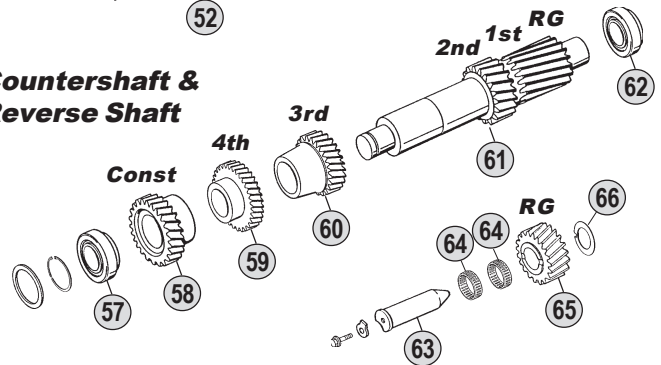


**Gasket Kit 72**



**Oil Seal Kit 71**

**Countershaft & Reverse Shaft**



**Ratios**

|               |              |                 |                 |                 |              |
|---------------|--------------|-----------------|-----------------|-----------------|--------------|
| <b>16S112</b> | A:--         | B: 11,46 - 0,85 | C: 13,68 - 1,00 | D:--            | E:--         |
| <b>16S130</b> | A:10,14-0,72 | B: 11,46 - 0,85 | C: 13,68 - 1,00 | D: 14,29 - 0,82 | E:--         |
| <b>16S160</b> | A:--         | B: 11,46 - 0,85 | C: 13,68 - 1,00 | D: 14,29 - 0,82 | E:17,06-1,00 |
| <b>16S190</b> | A:--         | B: 11,46 - 0,85 | C: 13,68 - 1,00 | D: 14,29 - 0,82 | E:17,06-1,00 |



All original equipment manufacturers' numbers, symbols, pictures, models and description used in this catalogue are for reference only, and it is not implied that any part listed is the product of these manufactures. Tutti i nostri particolari non sono originali ma con essi intercambiabili. I riferimenti originali, le figure, i modelli sono esposti a semplice titolo indicativo. La nostra produzione riporta il nostro marchio.

## O.E.M. Reference

| Fig. | CEI no. | O.E.M. Reference |              | Description            | Q.ty | Note | Ratio |               |               |               |               |  |  |  |
|------|---------|------------------|--------------|------------------------|------|------|-------|---------------|---------------|---------------|---------------|--|--|--|
|      |         | ZF no.           | MB no.       |                        |      |      |       | 16S112 (1296) | 16S130 (1295) | 16S160 (1297) | 16S190 (1297) |  |  |  |
| 46   | 109.178 | 1297 304 154     | 000 262 1640 | Engaging Ring          | 1    |      |       |               |               |               |               |  |  |  |
| 47   | 117.203 | 1295 304 012     | 000 262 2050 | Bush D.60x75x38        | 1    |      |       | ●             |               |               |               |  |  |  |
| 47   | 117.203 | 1295 304 012     | 000 262 2050 | Bush D.60x75x38        | 1    |      | ABC   |               | ●             |               |               |  |  |  |
| 47   | 117.318 | 1297 304 034     | 000 262 2350 | Bush                   | 1    |      | BC    |               |               | ●             | ●             |  |  |  |
| 48   | 137.086 | 0750 115 059     | 010 981 3210 | Needle Cage D.75x83x40 | 1    |      |       | ●             | ●             |               |               |  |  |  |
| 48   | 137.111 | 0735 320 486     | 010 981 3910 | Needle Cage D.78x86x44 | 1    |      |       |               |               | ●             | ●             |  |  |  |
| 49   | 147.151 | 1296 304 098     |              | Reverse Gear 39 T      | 1    |      | B     | ●             |               |               |               |  |  |  |
| 49   | 147.136 | 1296 304 097     | 000 262 4911 | Reverse Gear 38 T      | 1    |      | C     | ●             |               |               |               |  |  |  |
| 49   |         | 1295 304 272     |              | Reverse Gear 39 T      | 1    |      | A     |               | ●             |               |               |  |  |  |
| 49   | 147.138 | 1295 304 201     | 000 262 9111 | Reverse Gear 39 T      | 1    |      | BD    |               | ●             |               |               |  |  |  |
| 49   | 147.093 | 1295 304 200     | 000 262 5111 | Reverse Gear 38 T      | 1    |      | C     |               | ●             |               |               |  |  |  |
| 49   | 147.109 | 1297 304 149     | 000 262 8611 | Reverse Gear 39 T      | 1    |      | BD    |               |               | ●             | ●             |  |  |  |
| 49   | 147.140 | 1297 304 148     | 000 262 5311 | Reverse Gear 38 T      | 1    |      | CE    |               |               | ●             | ●             |  |  |  |
| 50   | 169.756 | 1296 304 117     | 000 262 3562 | Thrust Washer          | 1    |      |       | ●             |               |               |               |  |  |  |
| 50   | 169.409 | 1295 304 240     | 000 262 3662 | Thrust Washer          | 1    |      | ABC   |               | ●             |               |               |  |  |  |
| 50   | 169.757 | 1297 304 381     | 000 262 4762 | Thrust Washer          | 1    |      | BC    |               |               | ●             | ●             |  |  |  |
| 51   | 157.211 | 1295 304 247     | 000 262 0109 | Sun Gear 27 T          | 1    |      |       | ●             |               |               |               |  |  |  |
| 51   | 157.112 | 1295 304 248     | 000 262 0209 | Sun Gear 27 T          | 1    |      | ABC   |               | ●             |               |               |  |  |  |
| 51   | 157.177 | 1297 304 187     | 000 262 0309 | Sun Gear 27 T          | 1    |      | BC    |               |               | ●             | ●             |  |  |  |
| 52   | 157.207 | 1295 304 251     |              | Sun Gear 24 T          | 1    |      | D     |               | ●             |               |               |  |  |  |
| 52   | 157.198 | 1297 304 439     | 000 262 0909 | Sun Gear 24 T          | 1    |      | DE    |               |               | ●             | ●             |  |  |  |
| 53   | 188.076 | 1272 304 021     | 000 262 2762 | Stop Washer            | 1    |      |       | ●             | ●             | ●             | ●             |  |  |  |
| 54   |         | 0730 061 842     | 000 262 1253 | Oil Tube               | 1    |      |       | ●             | ●             | ●             | ●             |  |  |  |
| 55   |         | 1295 304 129     | 000 261 0165 | Oil Collector          | 1    |      |       | ●             |               |               |               |  |  |  |
| 55   |         | 1295 304 129     | 000 261 0165 | Oil Collector          | 1    |      | ABC   |               | ●             |               |               |  |  |  |
| 55   |         | 1297 301 004     | 000 261 0265 | Oil Collector          | 1    |      | D     |               | ●             |               |               |  |  |  |
| 55   |         | 1297 301 004     | 000 261 0265 | Oil Collector          | 1    |      |       |               |               | ●             | ●             |  |  |  |
| 56   | 130.240 | 0750 118 153     | 002 980 1002 | Bearing D.60x130x31    | 1    |      |       | ●             |               |               |               |  |  |  |
| 56   | 130.240 | 0750 118 153     | 002 980 1002 | Bearing D.60x130x31    | 1    |      | ABC   |               | ●             |               |               |  |  |  |
| 56   |         | 0750 118 137     |              | Bearing 80x140x26      | 1    |      | D     |               | ●             |               |               |  |  |  |
| 56   | 130.702 | 0750 118 006     | 001 980 8302 | Bearing 65x140x33      | 1    |      | BC    |               |               | ●             | ●             |  |  |  |
| 56   | 130.703 | 0750 118 180     | 002 980 0602 | Bearing 80x140x33      | 1    |      | DE    |               |               | ●             | ●             |  |  |  |
| 57   | 130.242 | 0750 117 010     | 001 980 8102 | Bearing D.50,80x100x35 | 1    |      |       | ●             | ●             | ●             | ●             |  |  |  |
| 58   | 146.449 | 1296 303 013     |              | Constant Gear 31 T     | 1    |      | B     | ●             |               |               |               |  |  |  |
| 58   | 146.364 | 1296 303 014     | 000 263 3210 | Constant Gear 34 T     | 1    |      | C     | ●             |               |               |               |  |  |  |
| 58   | 146.210 | 1295 303 101     | 000 263 7110 | Constant Gear 34 T     | 1    |      | AC    |               | ●             |               |               |  |  |  |
| 58   | 146.354 | 1295 303 036     | 000 263 8410 | Constant Gear 31 T     | 1    |      | B     |               | ●             |               |               |  |  |  |
| 58   | 146.457 | 1295 303 060     |              | Constant Gear 32 T     | 1    |      | D     |               | ●             |               |               |  |  |  |
| 58   | 146.383 | 1297 303 074     | 000 263 6910 | Constant Gear 31 T     | 1    |      | B     |               |               | ●             | ●             |  |  |  |
| 58   | 146.322 | 1297 303 066     | 000 263 6610 | Constant Gear 34 T     | 1    |      | C     |               |               | ●             | ●             |  |  |  |
| 58   | 146.319 | 1297 303 098     | 001 263 0510 | Constant Gear 32 T     | 1    |      | D     |               |               | ●             | ●             |  |  |  |
| 58   | 146.321 | 1297 303 086     |              | Constant Gear 35 T     | 1    |      | E     |               |               | ●             | ●             |  |  |  |
| 59   | 146.450 | 1296 303 003     |              | Gear 4th Speed 34 T    | 1    |      | B     | ●             |               |               |               |  |  |  |
| 59   | 146.363 | 1296 303 002     | 000 263 3310 | Gear 4th Speed 31 T    | 1    |      | C     | ●             |               |               |               |  |  |  |
| 59   | 146.209 | 1295 303 027     | 000 263 3610 | Gear 4th Speed 31 T    | 1    |      | AC    |               | ●             |               |               |  |  |  |

## Notes

- (1) Only for input Shaft 1295 221 001/003 - 1296 221 001/002 - 1297 221 005/006/009
- (2) To be coupled together with Fig. 4 - 0730 061 816
- (3) To be coupled together with Fig. 4 - 0730 062 579
- (4) Special MB Version. Use items marked (4) together
- (5) Only for input Shaft 1295 202 028 - 1297 202 030/053/061
- (6) Old Type. Old Syncro Ring Ø 175.5 mm (Z 57 or 30) - Standard Syncro Ring Ø 192 mm (Z 63 or 54)  
Use items marked (6) together

## Date

03 / 2006

## Table

002 / A

All original equipment manufacturers numbers, symbols, pictures, models and description used in this catalogue are for reference only, and it is not implied that any part listed is the product of these manufactures.  
Tutti i nostri particolari non sono originali ma con essi intercambiabili. I riferimenti originali, le figure, i modelli sono esposti a semplice titolo indicativo. La nostra produzione riporta il nostro marchio.

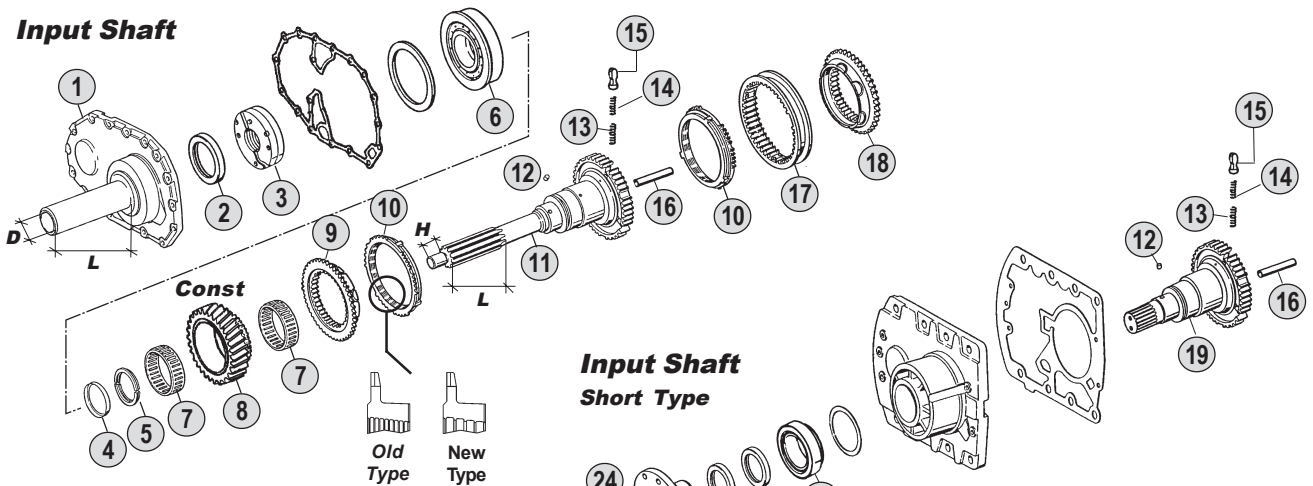


**ECO I**  
From 16S112  
To 16S190

Suitable To: **ZF**

**16S112 - 16S130 - 16S160 - 16S190**

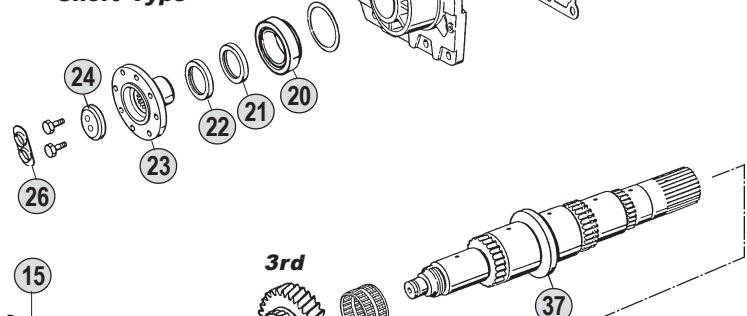
**Input Shaft**



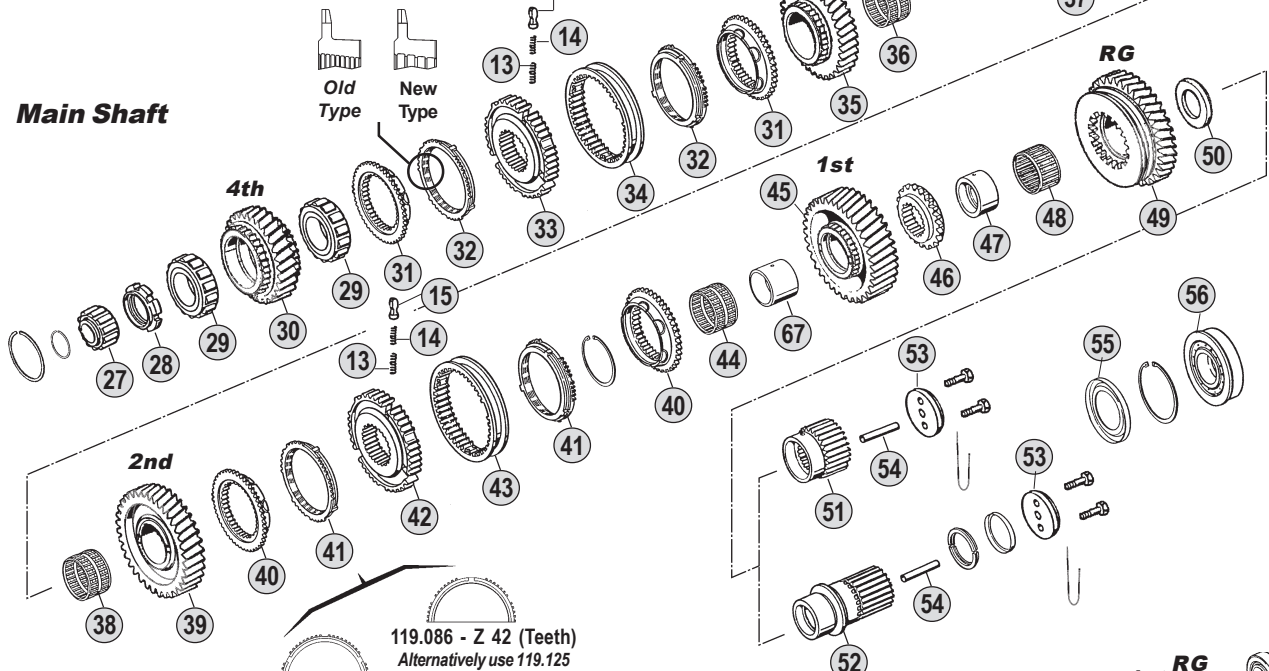
**Springs & Slides Kits**

|               |               |               |
|---------------|---------------|---------------|
| x 3           | x 6           | x 9           |
| x 3           | x 6           | x 9           |
| x 3           | x 6           | x 9           |
| <b>Kit 68</b> | <b>Kit 69</b> | <b>Kit 70</b> |

**Input Shaft Short Type**



**Main Shaft**



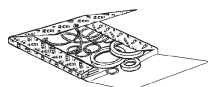
119.125 - Z 54 (Teeth)  
Alternatively use 119.086

119.086 - Z 42 (Teeth)  
Alternatively use 119.125

**Kits**

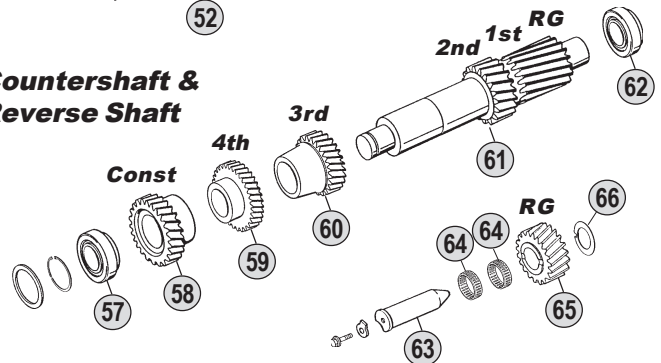


**Gasket Kit 72**



**Oil Seal Kit 71**

**Countershaft & Reverse Shaft**



**Ratios**

|               |              |                 |                 |                 |              |
|---------------|--------------|-----------------|-----------------|-----------------|--------------|
| <b>16S112</b> | A:--         | B: 11,46 - 0,85 | C: 13,68 - 1,00 | D:--            | E:--         |
| <b>16S130</b> | A:10,14-0,72 | B: 11,46 - 0,85 | C: 13,68 - 1,00 | D: 14,29 - 0,82 | E:--         |
| <b>16S160</b> | A:--         | B: 11,46 - 0,85 | C: 13,68 - 1,00 | D: 14,29 - 0,82 | E:17,06-1,00 |
| <b>16S190</b> | A:--         | B: 11,46 - 0,85 | C: 13,68 - 1,00 | D: 14,29 - 0,82 | E:17,06-1,00 |



All original equipment manufacturers' numbers, symbols, pictures, models and description used in this catalogue are for reference only, and it is not implied that any part listed is the product of these manufactures. Tutti i nostri particolari non sono originali ma con essi intercambiabili. I riferimenti originali, le figure, i modelli sono esposti a semplice titolo indicativo. La nostra produzione riporta il nostro marchio.

| Fig. | CEI no.        | O.E.M. Reference |              | Description               | Q.ty | Note | Ratio |               |               |               |               |  |  |
|------|----------------|------------------|--------------|---------------------------|------|------|-------|---------------|---------------|---------------|---------------|--|--|
|      |                | ZF no.           | MB no.       |                           |      |      |       | 16S112 (1296) | 16S130 (1295) | 16S160 (1297) | 16S190 (1297) |  |  |
| 59   | 146.413        | 1295 303 028     | 000 263 8510 | Gear 4th Speed 34 T       | 1    |      | B     |               | ●             |               |               |  |  |
| 59   | 146.461        | 1295 303 094     |              | Gear 4th Speed 35 T       | 1    |      | D     |               | ●             |               |               |  |  |
| 59   | <b>146.382</b> | 1297 303 072     | 000 263 7010 | Gear 4th Speed 34 T       | 1    |      | B     |               |               | ●             | ●             |  |  |
| 59   | <b>146.381</b> | 1297 303 065     | 000 263 6510 | Gear 4th Speed 31 T       | 1    |      | C     |               |               | ●             | ●             |  |  |
| 59   | <b>146.415</b> | 1297 303 097     | 000 263 8010 | Gear 4th Speed 35 T       | 1    |      | D     |               |               | ●             | ●             |  |  |
| 59   | <b>146.416</b> | 1297 303 123     |              | Gear 4th Speed 32 T       | 1    |      | E     |               |               | ●             | ●             |  |  |
| 60   | 146.451        | 1296 303 008     |              | Gear 3rd Speed 28 T       | 1    |      | B     | ●             |               |               |               |  |  |
| 60   | <b>146.419</b> | 1296 303 009     | 000 263 3110 | Gear 3rd Speed 25 T       | 1    |      | C     | ●             |               |               |               |  |  |
| 60   |                | 1295 303 071     |              | Gear 3rd Speed 36 T       | 1    |      | A     |               | ●             |               |               |  |  |
| 60   | 146.355        | 1295 303 025     | 000 263 8310 | Gear 3rd Speed 28 T       | 1    |      | BD    |               | ●             |               |               |  |  |
| 60   | <b>146.211</b> | 1295 303 026     | 000 263 3510 | Gear 3rd Speed 25 T       | 1    |      | C     |               | ●             |               |               |  |  |
| 60   | <b>146.357</b> | 1297 303 073     | 000 263 6810 | Gear 3rd Speed 28 T       | 1    |      | BD    |               |               | ●             | ●             |  |  |
| 60   | <b>146.421</b> | 1297 303 067     | 000 263 7410 | Gear 3rd Speed 25 T       | 1    |      | C     |               |               | ●             | ●             |  |  |
| 60   | <b>146.422</b> | 1297 303 132     |              | Gear 3rd Speed 26 T       | 1    |      | E     |               |               | ●             | ●             |  |  |
| 61   | 105.117        | 1296 303 026     |              | Countershaft 19-23 T      | 1    |      | B     | ●             |               |               |               |  |  |
| 61   | <b>105.104</b> | 1296 303 025     | 000 263 3502 | Countershaft 17-20 T      | 1    |      | C     | ●             |               |               |               |  |  |
| 61   |                | 1295 303 072     |              | Countershaft              | 1    |      | A     |               | ●             |               |               |  |  |
| 61   | 105.119        | 1295 303 067     | 000 263 4902 | Countershaft 19-23 T      | 1    |      | BD    |               | ●             |               |               |  |  |
| 61   | <b>105.060</b> | 1295 303 066     | 000 263 3402 | Countershaft 17-20 T      | 1    |      | C     |               | ●             |               |               |  |  |
| 61   | <b>105.092</b> | 1297 303 075     | 000 263 4502 | Countershaft 19-23 T      | 1    |      | BD    |               |               | ●             | ●             |  |  |
| 61   | <b>105.093</b> | 1297 303 140     | 000 263 5002 | Countershaft 17-20 T      | 1    |      | CE    |               |               | ●             | ●             |  |  |
| 62   | <b>130.307</b> | 0750 117 011     | 001 980 8002 | Bearing D.50,8x104,7x39,6 | 1    |      |       | ●             |               |               |               |  |  |
| 62   | 130.243        | 0750 117 008     | 001 980 8202 | Bearing D.50x110x42       | 1    |      |       |               | ●             |               |               |  |  |
| 62   | <b>130.308</b> | 0750 117 009     | 001 980 8402 | Bearing D.49,2x103,1x43,6 | 1    |      |       |               |               | ●             | ●             |  |  |
| 63   | 107.108        | 1295 305 056     | 000 263 1430 | Reverse Gear Pin          | 1    |      |       | ●             | ●             | ●             | ●             |  |  |
| 64   | <b>137.007</b> | 0750 115 011     | 010 981 1010 | Needle Cage D.45x53x21    | 2    |      |       | ●             | ●             | ●             | ●             |  |  |
| 65   | 147.133        | 1295 305 051     | 000 263 0232 | Reverse Gear 21 T         | 1    |      | B     | ●             |               |               |               |  |  |
| 65   | 147.094        | 1295 305 052     | 000 263 0032 | Reverse Gear 24 T         | 1    |      | C     | ●             |               |               |               |  |  |
| 65   | 147.153        | 1297 305 003     |              | Reverse Gear 21 T         | 1    |      | A     |               | ●             |               |               |  |  |
| 65   | 147.133        | 1295 305 051     | 000 263 0232 | Reverse Gear 21 T         | 1    |      | BD    |               | ●             |               |               |  |  |
| 65   | 147.094        | 1295 305 052     | 000 263 0032 | Reverse Gear 24 T         | 1    |      | C     |               | ●             |               |               |  |  |
| 65   | 147.133        | 1295 305 051     | 000 263 0232 | Reverse Gear 21 T         | 1    |      | BD    |               |               | ●             | ●             |  |  |
| 65   | 147.094        | 1295 305 052     | 000 263 0032 | Reverse Gear 24 T         | 1    |      | CE    |               |               | ●             | ●             |  |  |
| 66   | 169.234        | 0730 150 064     | 343 263 0062 | Thrust Washer             | 1    |      |       | ●             | ●             | ●             | ●             |  |  |
| 67   | 117.246        | 1297 304 035     | 000 262 2450 | Bush                      | 1    |      |       |               |               | ●             | ●             |  |  |
| 68   | <b>198.339</b> | 1268 298 938     |              | Spring Slide Set          | 1    |      |       | ●             | ●             | ●             | ●             |  |  |
| 69   | <b>198.564</b> | CEI 198564       |              | Spring Slide Set          | 1    |      |       | ●             | ●             | ●             | ●             |  |  |
| 70   | <b>198.842</b> | 1295 298 933     |              | Spring Slide Set          | 1    |      |       | ●             | ●             | ●             | ●             |  |  |
| 71   | <b>198.428</b> | 1295 298 960     | 624 356 0080 | Oil Seal Ring Kit         | 1    |      |       | ●             | ●             | ●             | ●             |  |  |
| 72   | <b>198.427</b> | 1295 298 915     |              | Gasket Kit                | 1    |      |       | ●             | ●             | ●             | ●             |  |  |

**ECO I**  
From 16S112  
To 16S190

All original equipment manufacturers numbers, symbols, pictures and description used in this catalogue are for reference only, and it is not implied that any part listed is the product of these manufactures.  
Tutti i nostri particolari non sono originali ma con essi intercambiabili. I riferimenti originali, le figure, i modelli sono esposti a semplice titolo indicativo. La nostra produzione riporta il nostro marchio.

#### Notes

- (1) Only for input Shaft 1295 221 001/003 - 1296 221 001/002 - 1297 221 005/006/009
- (2) To be coupled together with Fig. 4 - 0730 061 816
- (3) To be coupled together with Fig. 4 - 0730 062 579
- (4) Special MB Version. Use items marked (4) together
- (5) Only for input Shaft 1295 202 028 - 1297 202 030/053/061
- (6) Old Type. Old Syncro Ring Ø 175.5 mm ( Z 57 or 30) - Standard Syncro Ring Ø 192 mm (Z 63 or 54)  
Use items marked (6) together

#### Date

03 / 2006

#### Table

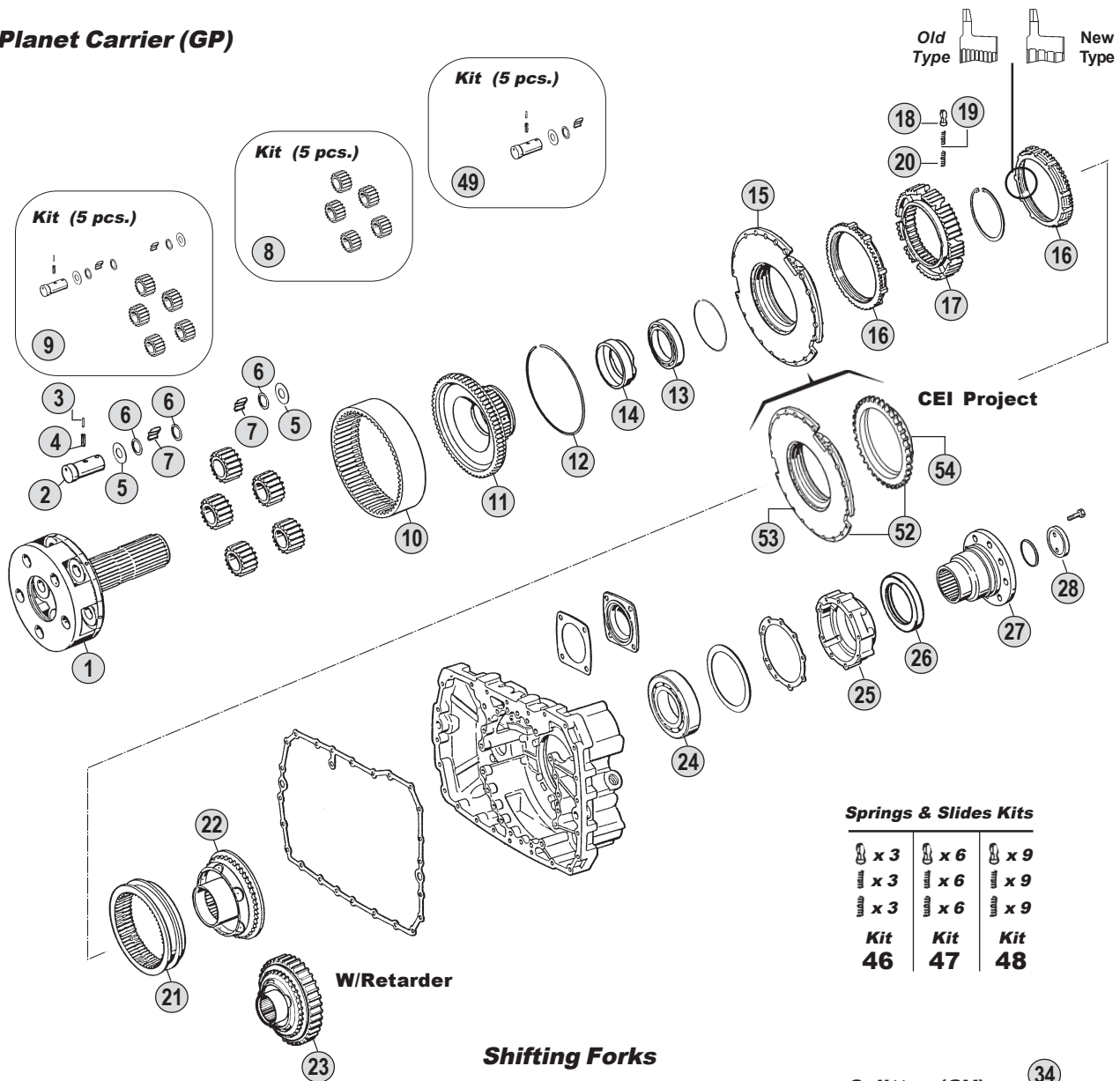
**002 / A**



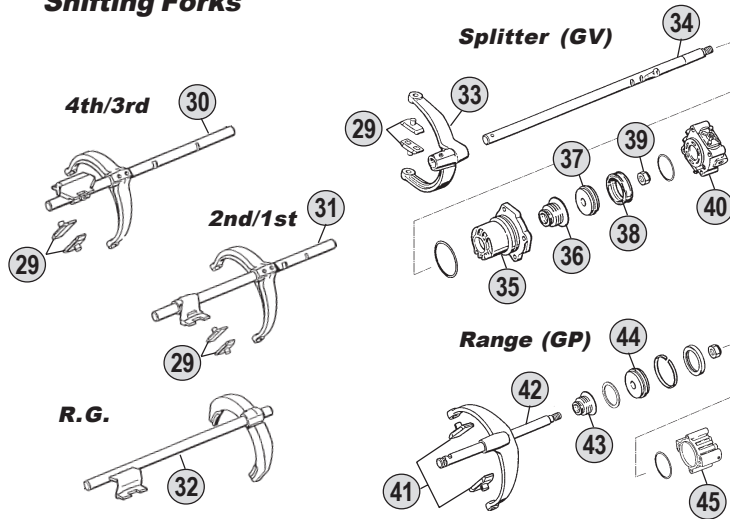
Suitable To : **ZF**

**16S112 - 16S130 - 16S160 - 16S190**

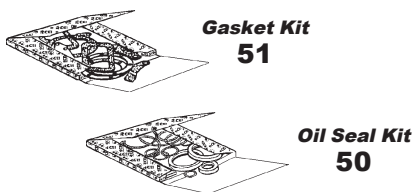
**Planet Carrier (GP)**



**Shifting Forks**



**Kits**



**Ratios**

|               |                  |                  |                  |                  |                  |
|---------------|------------------|------------------|------------------|------------------|------------------|
| <b>16S112</b> | A :--            | B : 11,46 - 0,85 | C : 13,68 - 1,00 | D : --           | E : --           |
| <b>16S130</b> | A : 10,14 - 0,72 | B : 11,46 - 0,85 | C : 13,68 - 1,00 | D : 14,29 - 0,82 | E : --           |
| <b>16S160</b> | A : --           | B : 11,46 - 0,85 | C : 13,68 - 1,00 | D : 14,29 - 0,82 | E : 17,06 - 1,00 |
| <b>16S190</b> | A : --           | B : 11,46 - 0,85 | C : 13,68 - 1,00 | D : 14,29 - 0,82 | E : 17,06 - 1,00 |



All original equipment manufacturers' numbers, symbols, pictures, models and description used in this catalogue are for reference only, and it is not implied that any part listed is the product of these manufactures. Tutti i nostri particolari non sono originali ma con essi intercambiabili. I riferimenti originali, le figure, i modelli sono esposti a semplice titolo indicativo. La nostra produzione riporta il nostro marchio.

16S112 (1296)  
16S130 (1295)  
16S160 (1297)  
16S190 (1297)

| Fig. | O.E.M. Reference |              | Description     | Q.ty                            | Note | Ratio |        |               |               |               |               |  |
|------|------------------|--------------|-----------------|---------------------------------|------|-------|--------|---------------|---------------|---------------|---------------|--|
|      | CEI no.          | ZF no.       |                 |                                 |      |       | MB no. | 16S112 (1296) | 16S130 (1295) | 16S160 (1297) | 16S190 (1297) |  |
| 1    | 190.169          | 1295 232 044 | 000 260 3461    | Planetary Carrier               | 1    |       | ●      |               |               |               |               |  |
| 1    | 190.169          | 1295 232 044 | 000 260 3461    | Planetary Carrier               | 1    | ABC   |        | ●             |               |               |               |  |
| 1    | 190.395          | 1297 232 045 | 000 260 4061    | Planetary Carrier               | 1    | D     |        | ●             |               |               |               |  |
| 1    | <b>190.396</b>   | 1297 232 039 | 000 260 3561    | Planetary Carrier               | 1    | BC    |        |               | ●             | ●             |               |  |
| 1    | 190.395          | 1297 232 045 | 000 260 4061    | Planetary Carrier               | 1    | DE    |        |               | ●             | ●             |               |  |
| 1    |                  | 1316 232 005 |                 | Planetary Carrier               | 1    | (8) E |        |               |               | ●             |               |  |
| 2    | 107.089          | 1269 332 036 | 000 264 1618    | Planet Shaft                    | 5    |       | ●      |               |               |               |               |  |
| 2    | 107.089          | 1269 332 036 | 000 264 1618    | Planet Shaft                    | 5    | ABC   |        | ●             |               |               |               |  |
| 2    | <b>107.163</b>   | 1297 332 109 | 000 263 0374    | Planet Shaft                    | 5    | D     |        | ●             |               |               |               |  |
| 2    | <b>107.163</b>   | 1297 332 109 | 000 263 0374    | Planet Shaft                    | 5    |       |        |               | ●             | ●             |               |  |
| 2    | 107.165          | 1312 332 026 | 000 263 0474    | Planet Shaft                    | 5    | (8)   |        |               |               | ●             |               |  |
| 3    | <b>160.191</b>   | 0631 329 017 | 001 481 003 028 | Lock Pin D.3x24                 | 5    |       | ●      | ●             | ●             | ●             |               |  |
| 3    | 160.195          | 0631 329 167 |                 | Lock Pin D.3x26                 | 5    | (8)   |        |               |               | ●             |               |  |
| 4    | <b>160.192</b>   | 0631 329 050 | 001 481 005 036 | Lock Pin D.5x24                 | 5    |       | ●      | ●             | ●             | ●             |               |  |
| 4    | 160.194          | 0631 329 051 |                 | Lock Pin D.5x26                 | 5    | (8)   |        |               |               | ●             |               |  |
| 5    | 169.408          | 0501 305 887 | 003 264 2252    | Thrust Washer D.29x57,50x1,50   | 10   |       | ●      |               |               |               |               |  |
| 5    | 169.408          | 0501 305 887 | 003 264 2252    | Thrust Washer D.29x57,50x1,50   | 10   | ABC   |        | ●             |               |               |               |  |
| 5    | <b>169.753</b>   | 0501 306 212 | 000 263 0562    | Thrust Washer D.29x64x1,5       | 10   | D     |        | ●             |               |               |               |  |
| 5    | <b>169.753</b>   | 0501 306 212 | 000 263 0562    | Thrust Washer D.29x64x1,5       | 10   |       |        |               | ●             | ●             |               |  |
| 5    | 169.759          | 0501 308 981 | 000 263 0762    | Thrust Washer                   | 10   | (8)   |        |               |               | ●             |               |  |
| 6    | <b>169.410</b>   | 0730 103 846 | 003 264 2052    | Spacer Ring D.29x39x1,00        | 15   |       | ●      | ●             | ●             | ●             |               |  |
| 6    | 169.744          | 0730 107 168 | 000 264 0947    | Spacer Ring                     | 15   | (8)   |        |               |               | ●             |               |  |
| 7    | <b>171.016</b>   | 0735 470 057 | 001 981 1187    | Roller Set D.6x14,75 (180 pcs)  | 180  |       | ●      |               |               |               |               |  |
| 7    | <b>171.016</b>   | 0735 470 057 | 001 981 1187    | Roller Set D.6x14,75 (180 pcs)  | 180  | ABC   |        | ●             |               |               |               |  |
| 7    | <b>171.045</b>   | 0750 119 109 | 001 981 5487    | Roller Set D.10x16,80 (120 pcs) | 120  | D     |        | ●             |               |               |               |  |
| 7    | <b>171.045</b>   | 0750 119 109 | 001 981 5487    | Roller Set D.10x16,80 (120 pcs) | 120  |       |        |               | ●             | ●             |               |  |
| 7    | <b>171.062</b>   | 0750 119 116 | 000 981 4686    | Roller D.10x16,8                | 140  | (8)   |        |               |               | ●             |               |  |
| 8    | <b>198.357</b>   | 1295 232 027 | 000 260 1497    | Planetary Gear Set (5 pcs)      | 1    |       | ●      |               |               |               |               |  |
| 8    | <b>198.357</b>   | 1295 232 027 | 000 260 1497    | Planetary Gear Set (5 pcs)      | 1    | ABC   |        | ●             |               |               |               |  |
| 8    | <b>198.810</b>   | 1297 232 024 |                 | Planetary Gear Set (5 pcs)      | 1    | D     |        | ●             |               |               |               |  |
| 8    | <b>198.803</b>   | 1297 232 023 | 000 260 1597    | Planetary Gear Set (5 pcs)      | 1    | BC    |        |               | ●             | ●             |               |  |
| 8    | <b>198.810</b>   | 1297 232 024 |                 | Planetary Gear Set (5 pcs)      | 1    | DE    |        |               | ●             | ●             |               |  |
| 8    | <b>198.801</b>   | 1312 232 014 | 000 260 2397    | Planetary Gear Set (5 pcs)      | 1    | (8) E |        |               |               | ●             |               |  |
| 9    | 198.562          | 1296 298 904 | 000 262 0306    | Planetary Gear Set              | 1    |       | ●      |               |               |               |               |  |
| 9    | 198.562          | 1296 298 904 | 000 262 0306    | Planetary Gear Set              | 1    | ABC   |        | ●             |               |               |               |  |
| 9    | <b>198.704</b>   | 1297 298 912 | 000 262 0406    | Planetary Gear Set              | 1    | BC    |        |               | ●             | ●             |               |  |
| 9    |                  | 1297 298 919 | 000 260 2297    | Planetary Gear Set              | 1    | DE    |        |               | ●             | ●             |               |  |
| 10   | 123.162          | 1295 332 053 | 000 263 6410    | Crown Gear 83 T                 | 1    |       | ●      |               |               |               |               |  |
| 10   | 123.162          | 1295 332 053 | 000 263 6410    | Crown Gear 83 T                 | 1    | ABC   |        | ●             |               |               |               |  |
| 10   | <b>123.208</b>   | 1295 332 086 | 001 263 2110    | Crown Gear 86 T                 | 1    | D     |        | ●             |               |               |               |  |
| 10   | <b>123.217</b>   | 1297 332 080 | 000 263 6310    | Crown Gear 83 T                 | 1    | BC    |        |               | ●             | ●             |               |  |
| 10   | <b>123.208</b>   | 1295 332 086 | 001 263 2110    | Crown Gear 86 T                 | 1    | DE    |        |               | ●             | ●             |               |  |
| 11   | 150.112          | 1295 332 021 | 000 263 0025    | Flange Gear 83 T                | 1    |       | ●      |               |               |               |               |  |
| 11   | 150.112          | 1295 332 021 | 000 263 0025    | Flange Gear 83 T                | 1    | ABC   |        | ●             |               |               |               |  |
| 11   | <b>150.137</b>   | 1297 332 035 | 000 263 0425    | Flange Gear 86 T                | 1    | D     |        | ●             |               |               |               |  |

## Notes

(8) New Reinforced Style. Use items marked (8) together

## Date

03 / 2006

## Table

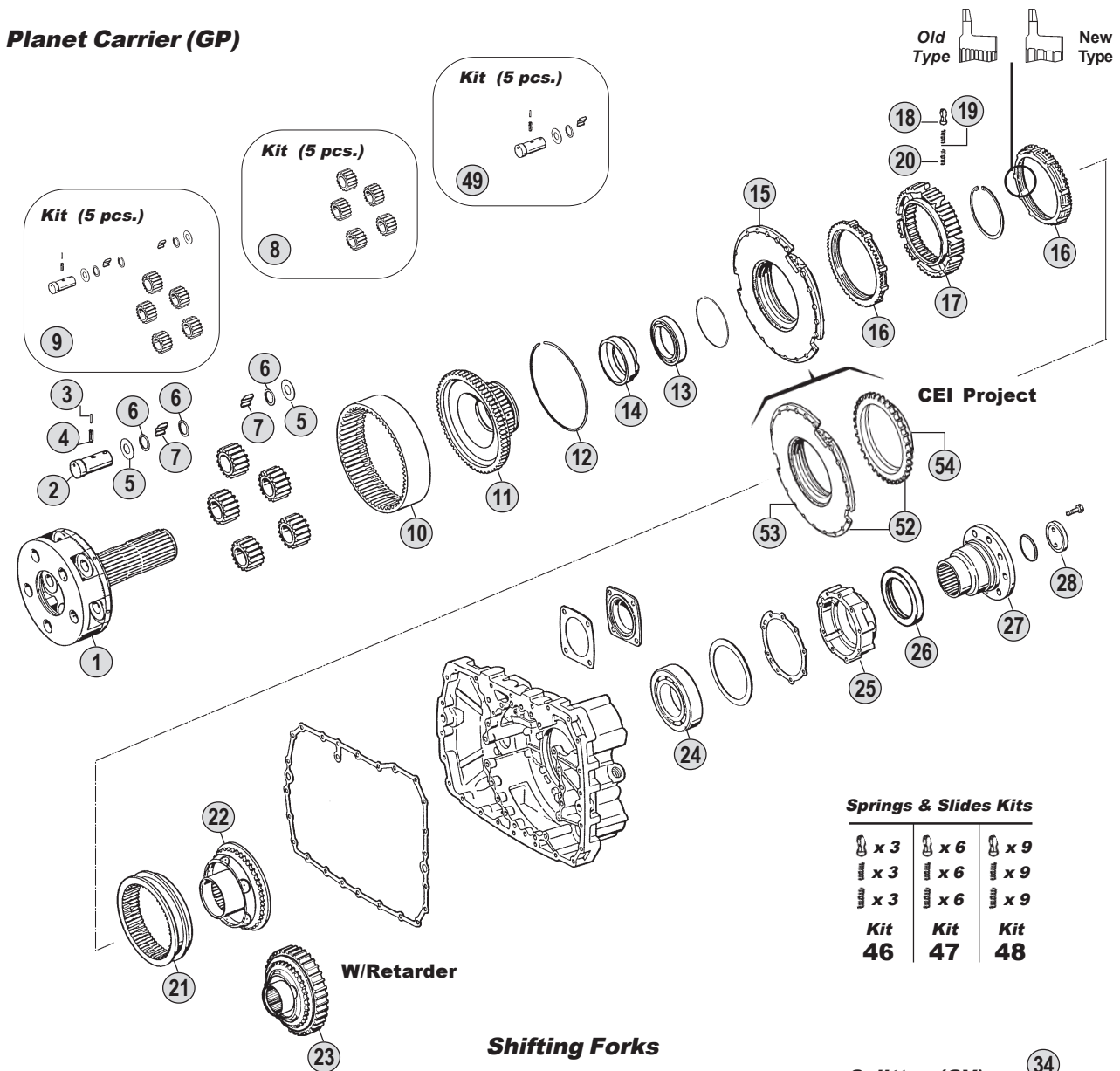
002 / B

All original equipment manufacturers numbers, symbols, pictures, models and description used in this catalogue are for reference only, and it is not implied that any part listed is the product of these manufactures.  
Tutti i nostri particolari non sono originali ma con essi intercambiabili. I riferimenti originali, le figure, i modelli sono esposti a semplice titolo indicativo. La nostra produzione riporta il nostro marchio.

Suitable To : **ZF**

**16S112 - 16S130 - 16S160 - 16S190**

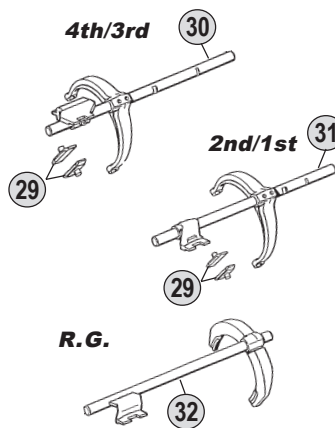
**Planet Carrier (GP)**



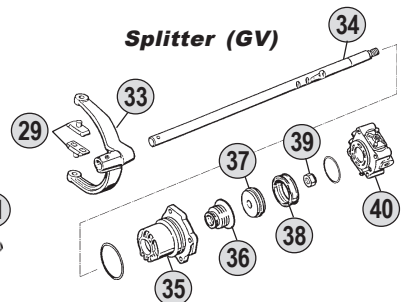
**Kits**



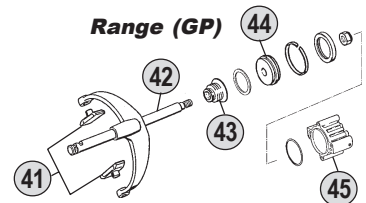
**Shifting Forks**



**Splitter (GV)**



**Range (GP)**



**Ratios**

|               |               |                 |                 |                 |              |
|---------------|---------------|-----------------|-----------------|-----------------|--------------|
| <b>16S112</b> | A:--          | B: 11,46 - 0,85 | C: 13,68 - 1,00 | D: --           | E:--         |
| <b>16S130</b> | A: 10,14-0,72 | B: 11,46 - 0,85 | C: 13,68 - 1,00 | D: 14,29 - 0,82 | E:--         |
| <b>16S160</b> | A:--          | B: 11,46 - 0,85 | C: 13,68 - 1,00 | D: 14,29 - 0,82 | E:17,06-1,00 |
| <b>16S190</b> | A:--          | B: 11,46 - 0,85 | C: 13,68 - 1,00 | D: 14,29 - 0,82 | E:17,06-1,00 |



All original equipment manufacturers' numbers, symbols, pictures, models and description used in this catalogue are for reference only, and it is not implied that any part listed is the product of these manufactures. Tutti i nostri particolari non sono originali ma con essi intercambiabili. I riferimenti originali, le figure, i modelli sono esposti a semplice titolo indicativo. La nostra produzione riporta il nostro marchio.

16S112 (1296)  
16S130 (1295)  
16S160 (1297)  
16S190 (1297)

| Fig. | CEI no. | O.E.M. Reference |              | Description                 | Q.ty | Note          | Ratio |               |               |               |               |  |  |
|------|---------|------------------|--------------|-----------------------------|------|---------------|-------|---------------|---------------|---------------|---------------|--|--|
|      |         | ZF no.           | MB no.       |                             |      |               |       | 16S112 (1296) | 16S130 (1295) | 16S160 (1297) | 16S190 (1297) |  |  |
| 11   | 150.138 | 1297 332 017     | 000 263 0125 | Flange Gear 83 T            | 1    |               | BC    |               |               | ●             | ●             |  |  |
| 11   | 150.137 | 1297 332 035     | 000 263 0425 | Flange Gear 86 T            | 1    |               | DE    |               |               | ●             | ●             |  |  |
| 11   | 150.134 | 1297 332 120     |              | Flange Gear 86 T            | 1    | (8)           | E     |               |               |               | ●             |  |  |
| 12   | 111.129 | 0730 505 055     | 000 263 0973 | Locking Wire                | 1    |               |       | ●             |               |               |               |  |  |
| 12   | 111.129 | 0730 505 055     | 000 263 0973 | Locking Wire                | 1    |               | ABC   |               | ●             |               |               |  |  |
| 12   | 111.198 | 0730 505 056     | 000 263 1973 | Locking Wire                | 1    |               | D     |               | ●             |               |               |  |  |
| 12   | 111.129 | 0730 505 055     | 000 263 0973 | Locking Wire                | 1    |               | BC    |               |               | ●             | ●             |  |  |
| 12   | 111.198 | 0730 505 056     | 000 263 1973 | Locking Wire                | 1    |               | DE    |               |               | ●             | ●             |  |  |
| 13   | 130.244 | 0750 116 166     | 000 981 3020 | Bearing D.75x105x16         | 1    |               |       | ●             |               |               |               |  |  |
| 13   | 130.244 | 0750 116 166     | 000 981 3020 | Bearing D.75x105x16         | 1    |               | ABC   |               | ●             |               |               |  |  |
| 13   | 130.310 | 0750 116 165     | 000 981 3120 | Bearing D.80x110x16         | 1    |               | D     |               | ●             |               |               |  |  |
| 13   | 130.310 | 0750 116 165     | 000 981 3120 | Bearing D.80x110x16         | 1    |               |       |               |               | ●             | ●             |  |  |
| 13   | 130.311 | 0635 338 035     |              | Bearing D.100x125x13        | 1    | (8)           |       |               |               |               | ●             |  |  |
| 14   |         | 1297 332 002     | 000 263 1120 | Ring                        | 1    |               | D     |               | ●             |               |               |  |  |
| 14   |         | 1297 332 002     | 000 263 1120 | Ring                        | 1    |               |       |               |               | ●             | ●             |  |  |
| 15   | 198.358 | 1296 233 006     | 000 263 1720 | Synchronizer Cone           | 1    |               |       | ●             | ●             | ●             | ●             |  |  |
| 16   | 119.085 | 1296 333 022     | 000 263 0234 | Synchronizer Ring           | 2    | Old Type      |       | ●             | ●             | ●             | ●             |  |  |
| 16   | 119.172 | 1296 333 045     | 000 263 0534 | Synchronizer Ring           | 2    | New Type      |       | ●             | ●             | ●             | ●             |  |  |
| 17   | 157.113 | 1296 333 002     | 000 263 0735 | Synchronizer Hub            | 1    |               |       | ●             | ●             | ●             | ●             |  |  |
| 17   | 157.183 | 1297 333 115     | 000 263 0935 | Synchronizer Hub            | 1    | (8)           |       |               |               |               | ●             |  |  |
| 18   | 160.116 | 1240 304 278     | 336 264 0239 | Pressure Piece              | 9    |               |       | ●             | ●             | ●             | ●             |  |  |
| 19   | 156.036 | 0732 040 386     | 336 264 0793 | Inner Spring De.3x34        | 9    |               |       | ●             | ●             | ●             | ●             |  |  |
| 20   | 156.037 | 0732 040 385     | 336 264 0693 | Outer Spring De.6x34        | 9    |               |       | ●             | ●             | ●             | ●             |  |  |
| 21   | 154.098 | 1296 333 023     | 000 263 0523 | Sliding Sleeve              | 1    |               |       | ●             | ●             | ●             | ●             |  |  |
| 22   | 198.359 | 1295 233 025     | 000 263 1920 | Synchronizer Cone (36 Spl.) | 1    |               |       | ●             |               |               |               |  |  |
| 22   | 198.359 | 1295 233 025     | 000 263 1920 | Synchronizer Cone (36 Spl.) | 1    |               | ABC   |               | ●             |               |               |  |  |
| 22   | 198.374 | 1313 233 001     | 000 263 2020 | Synchronizer Cone (38 Spl.) | 1    |               | D     |               | ●             |               |               |  |  |
| 22   | 198.374 | 1313 233 001     | 000 263 2020 | Synchronizer Cone (38 Spl.) | 1    |               |       |               |               | ●             | ●             |  |  |
| 22   | 198.790 | 1297 233 056     | 000 263 2220 | Synchronizer Cone (41 Spl.) | 1    | (8)           |       |               |               |               | ●             |  |  |
| 23   |         | 1297 333 117     |              | Synchronizer Cone           | 1    | With Retarder | ABC   |               | ●             |               |               |  |  |
| 23   |         | 1297 333 118     |              | Synchronizer Cone           | 1    | With Retarder | D     |               | ●             |               |               |  |  |
| 23   |         | 1297 333 118     |              | Synchronizer Cone           | 1    | With Retarder |       |               |               | ●             | ●             |  |  |
| 24   | 130.245 | 0750 116 002     | 000 981 2920 | Bearing D.90x160x30         | 1    |               |       | ●             | ●             | ●             | ●             |  |  |
| 25   |         | 1296 301 067     | 000 261 0932 | Cover                       | 1    |               |       | ●             | ●             | ●             | ●             |  |  |
| 25   | 128.098 | 1315 301 220     | 000 261 1732 | Cover                       | 1    |               |       | ●             | ●             | ●             | ●             |  |  |
| 25   |         | 1296 301 067     | 000 261 0932 | Cover                       | 1    |               |       |               |               |               | ●             |  |  |
| 25   | 128.098 | 1315 301 220     | 000 261 1732 | Cover                       | 1    | (8)           |       |               |               |               | ●             |  |  |
| 26   |         | 0750 111 341     | 021 997 6447 | Oil Seal 105x130x12         | 1    |               |       | ●             | ●             | ●             | ●             |  |  |
| 27   |         | 1295 238 003     |              | Output Flange               | 1    | D.165-8.H.    |       | ●             |               |               |               |  |  |
| 27   |         | 1295 338 061     | 000 264 3645 | Output Flange               | 1    | D.180-4.H.    |       | ●             |               |               |               |  |  |
| 27   | 197.051 | 1295 338 014     | 000 264 2745 | Output Flange               | 1    | D.180-10.H.   |       | ●             |               |               |               |  |  |
| 27   |         | 1295 338 059     | 000 264 3745 | Output Flange               | 1    | D.180-10.H.   |       | ●             |               |               |               |  |  |
| 27   |         | 1295 238 003     |              | Output Flange               | 1    | D.165-8.H.    | ABC   |               | ●             |               |               |  |  |
| 27   |         | 1295 338 061     | 000 264 3645 | Output Flange               | 1    | D.180-4.H.-   | ABC   |               | ●             |               |               |  |  |
| 27   | 197.051 | 1295 338 014     | 000 264 2745 | Output Flange               | 1    | D.180-10.H.   | ABC   |               | ●             |               |               |  |  |

## Notes

(8) New Reinforced Style. Use items marked (8) together

## Date

03 / 2006

## Table

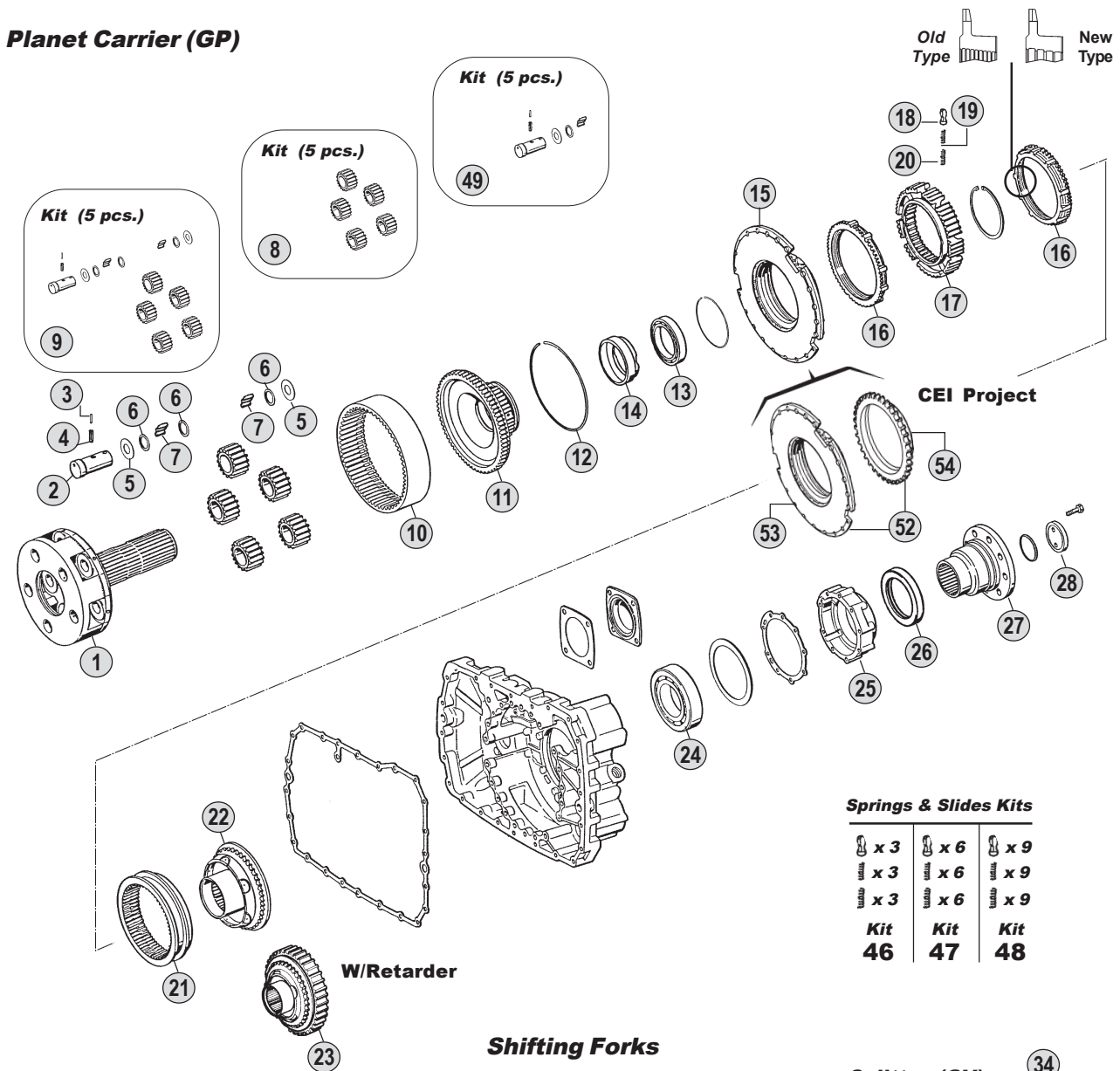
002 / B

All original equipment manufacturers numbers, symbols, pictures, models and description used in this catalogue are for reference only, and it is not implied that any part listed is the product of these manufactures.  
Tutti i nostri particolari non sono originali ma con essi intercambiabili. I riferimenti originali, le figure, i modelli sono esposti a semplice titolo indicativo. La nostra produzione riporta il nostro marchio.

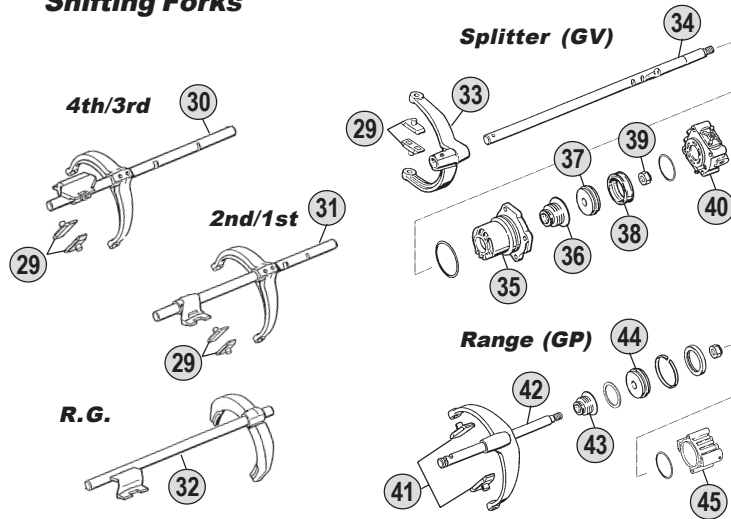
Suitable To : **ZF**

**16S112 - 16S130 - 16S160 - 16S190**

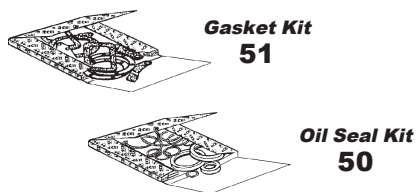
**Planet Carrier (GP)**



**Shifting Forks**



**Kits**



**Ratios**

|               |                  |                  |                  |                  |                  |
|---------------|------------------|------------------|------------------|------------------|------------------|
| <b>16S112</b> | A :--            | B : 11,46 - 0,85 | C : 13,68 - 1,00 | D : --           | E : --           |
| <b>16S130</b> | A : 10,14 - 0,72 | B : 11,46 - 0,85 | C : 13,68 - 1,00 | D : 14,29 - 0,82 | E : --           |
| <b>16S160</b> | A : --           | B : 11,46 - 0,85 | C : 13,68 - 1,00 | D : 14,29 - 0,82 | E : 17,29 - 1,00 |
| <b>16S190</b> | A : --           | B : 11,46 - 0,85 | C : 13,68 - 1,00 | D : 14,29 - 0,82 | E : 17,29 - 1,00 |



All original equipment manufacturers' numbers, symbols, pictures, models and description used in this catalogue are for reference only, and it is not implied that any part listed is the product of these manufactures. Tutti i nostri particolari non sono originali ma con essi intercambiabili. I riferimenti originali, le figure, i modelli sono esposti a semplice titolo indicativo. La nostra produzione riporta il nostro marchio.

| Fig. | CEI no. | O.E.M. Reference |              | Description             | Q.ty | Note                   | Ratio |               |               |               |               |  |  |
|------|---------|------------------|--------------|-------------------------|------|------------------------|-------|---------------|---------------|---------------|---------------|--|--|
|      |         | ZF no.           | MB no.       |                         |      |                        |       | 16S112 (1296) | 16S130 (1295) | 16S160 (1297) | 16S190 (1297) |  |  |
| 27   |         | 1295 338 059     | 000 264 3745 | Output Flange           | 1    | D.180-10.H.            | ABC   |               | ●             |               |               |  |  |
| 27   | 197.074 | 1295 338 016     |              | Output flange           | 1    | D.204-4.H.             | ABC   |               | ●             |               |               |  |  |
| 27   |         | 1295 338 028     |              | Output Flange           | 1    | D.204-4.H.             | ABC   |               | ●             |               |               |  |  |
| 27   |         | 1297 338 041     | 000 264 4245 | Output Flange           | 1    | D.180-4.H.             | D     |               | ●             |               |               |  |  |
| 27   |         | 1297 338 010     | 000 264 2845 | Output Flange           | 1    | D.180-10.H.            | D     |               | ●             |               |               |  |  |
| 27   |         | 1297 338 041     | 000 264 4245 | Output Flange           | 1    | D.180-4.H.             |       |               |               | ●             | ●             |  |  |
| 27   |         | 1297 338 038     | 000 264 4145 | Output Flange           | 1    | D.180-10.H.            |       |               |               | ●             | ●             |  |  |
| 27   |         | 1297 338 010     | 000 264 2845 | Output Flange           | 1    | D.180-10.H.            |       |               |               | ●             | ●             |  |  |
| 27   |         | 1297 333 110     |              | Output Flange           | 1    | (8) D.180-4.H.         |       |               |               |               | ●             |  |  |
| 28   | 188.077 | 1295 332 051     | 000 264 1976 | Stop Washer             | 1    |                        |       | ●             | ●             | ●             | ●             |  |  |
| 28   |         | 1295 332 064     | 000 264 2176 | Stop Washer             | 1    | Only With 1295 238 003 |       | ●             | ●             |               |               |  |  |
| 28   |         | 1312 332 028     |              | Stop Washer             | 1    | (8)                    |       |               |               |               | ●             |  |  |
| 29   | 141.068 | 1295 306 132     | 000 268 0849 | Bronze Slide            | 2    |                        |       | ●             | ●             | ●             | ●             |  |  |
| 30   |         | 1296 206 064     | 001 265 4805 | Fork                    | 1    |                        |       | ●             |               |               |               |  |  |
| 30   |         | 1296 206 061     |              | Fork                    | 1    |                        |       | ●             |               |               |               |  |  |
| 30   |         | 1295 206 219     |              | Fork                    | 1    |                        |       |               | ●             |               |               |  |  |
| 30   |         | 1295 206 212     | 001 265 4605 | Fork                    | 1    |                        |       |               | ●             |               |               |  |  |
| 30   | 198.362 | 1295 206 213     |              | Fork                    | 1    |                        |       |               | ●             |               |               |  |  |
| 30   |         | 1297 206 103     | 001 265 5705 | Fork                    | 1    |                        |       |               |               | ●             | ●             |  |  |
| 30   |         | 1297 206 104     |              | Fork                    | 1    |                        |       |               |               | ●             | ●             |  |  |
| 30   |         | 1297 206 192     | 001 265 9505 | Fork                    | 1    |                        |       |               |               |               | ●             |  |  |
| 31   |         | 1296 206 063     | 001 265 4705 | Fork                    | 1    |                        |       | ●             |               |               |               |  |  |
| 31   |         | 1296 206 062     |              | Fork                    | 1    |                        |       | ●             |               |               |               |  |  |
| 31   |         | 1295 206 223     |              | Fork                    | 1    |                        |       |               | ●             |               |               |  |  |
| 31   |         | 1295 206 217     |              | Fork                    | 1    |                        |       |               | ●             |               |               |  |  |
| 31   |         | 1295 206 214     |              | Fork                    | 1    |                        |       |               | ●             |               |               |  |  |
| 31   |         | 1295 206 215     | 001 265 4505 | Fork                    | 1    |                        |       |               | ●             |               |               |  |  |
| 31   |         | 1297 206 106     | 001 265 5605 | Fork                    | 1    |                        |       |               |               | ●             | ●             |  |  |
| 31   |         | 1297 206 105     |              | Fork                    | 1    |                        |       |               |               | ●             | ●             |  |  |
| 31   |         | 1297 206 191     | 001 265 9405 | Fork                    | 1    |                        |       |               |               |               | ●             |  |  |
| 32   |         | 1296 206 077     | 001 265 8505 | Fork                    | 1    |                        |       | ●             |               |               |               |  |  |
| 32   |         | 1296 206 078     |              | Fork                    | 1    |                        |       | ●             |               |               |               |  |  |
| 32   |         | 1295 206 250     |              | Fork                    | 1    |                        |       |               | ●             |               |               |  |  |
| 32   |         | 1295 206 249     |              | Fork                    | 1    |                        |       |               | ●             |               |               |  |  |
| 32   | 198.360 | 1295 206 255     |              | Fork                    | 1    |                        |       |               | ●             |               |               |  |  |
| 32   |         | 1295 206 254     | 001 265 8005 | Fork                    | 1    |                        |       |               | ●             |               |               |  |  |
| 32   |         | 1297 206 174     | 001 265 8105 | Fork                    | 1    |                        |       |               |               | ●             | ●             |  |  |
| 32   |         | 1297 206 175     |              | Fork                    | 1    |                        |       |               |               | ●             | ●             |  |  |
| 32   |         | 1297 206 181     | 001 265 8405 | Fork                    | 1    |                        |       |               |               |               | ●             |  |  |
| 33   |         | 1313 312 002     | 000 265 3701 | Fork                    | 1    |                        |       | ●             | ●             | ●             | ●             |  |  |
| 34   |         | 1296 312 001     | 000 265 4305 | Selector Rod            | 1    |                        |       | ●             |               |               |               |  |  |
| 34   | 149.172 | 1295 312 018     | 000 265 4805 | Selector rod            | 1    |                        |       |               | ●             |               |               |  |  |
| 34   |         | 1297 312 008     | 000 265 5305 | Selector Rod            | 1    |                        |       |               |               | ●             | ●             |  |  |
| 35   | 132.046 | 1296 312 042     | 000 267 0519 | Cylinder                | 1    |                        |       | ●             | ●             | ●             | ●             |  |  |
| 36   | 139.331 | 0750 112 034     | 000 267 0697 | Cap Collar D.25x38x14,2 | 1    |                        |       | ●             | ●             | ●             | ●             |  |  |

## Notes

(8) New Reinforced Style. Use items marked (8) together

## Date

03 / 2006

## Table

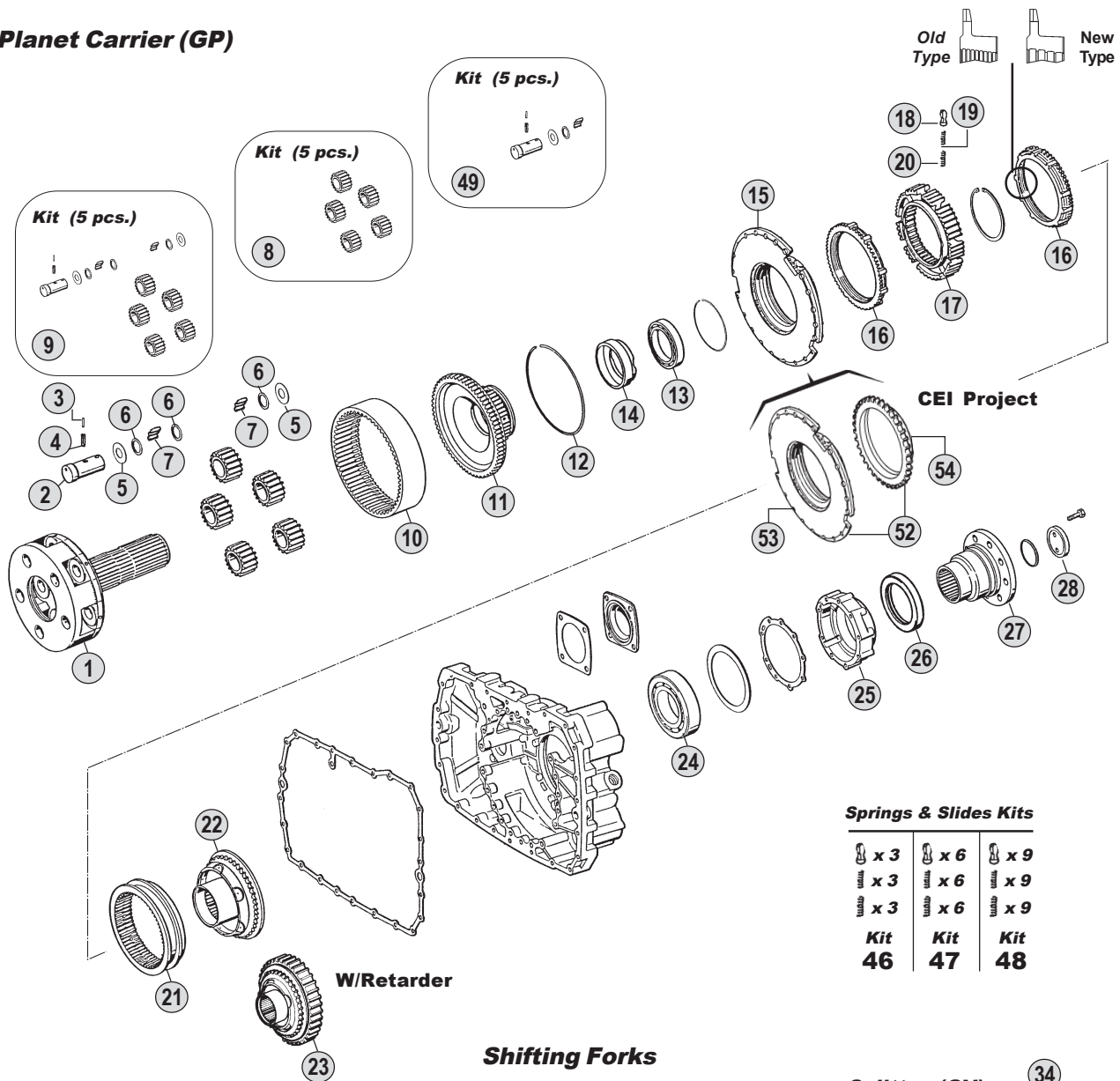
002 / B

All original equipment manufacturers numbers, symbols, pictures, models and description used in this catalogue are for reference only, and it is not implied that any part listed is the product of these manufactures.  
Tutti i nostri particolari non sono originali ma con essi intercambiabili. I riferimenti originali, le figure, i modelli sono esposti a semplice titolo indicativo. La nostra produzione riporta il nostro marchio.

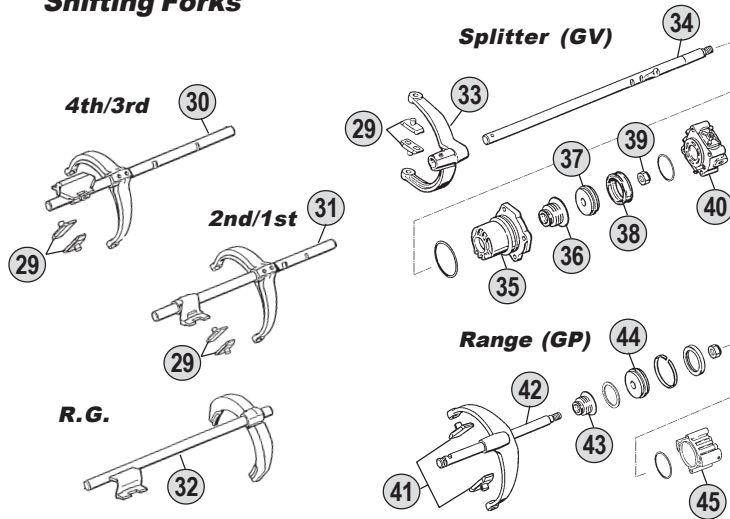
Suitable To : **ZF**

**16S112 - 16S130 - 16S160 - 16S190**

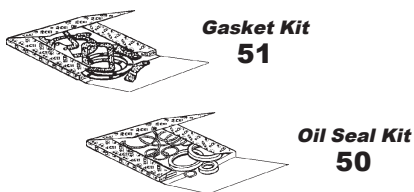
**Planet Carrier (GP)**



**Shifting Forks**



**Kits**



**Ratios**

|               |               |                 |                 |                 |              |
|---------------|---------------|-----------------|-----------------|-----------------|--------------|
| <b>16S112</b> | A:--          | B: 11,46 - 0,85 | C: 13,68 - 1,00 | D: --           | E:--         |
| <b>16S130</b> | A: 10,14-0,72 | B: 11,46 - 0,85 | C: 13,68 - 1,00 | D: 14,29 - 0,82 | E:--         |
| <b>16S160</b> | A:--          | B: 11,46 - 0,85 | C: 13,68 - 1,00 | D: 14,29 - 0,82 | E:17,29-1,00 |
| <b>16S190</b> | A:--          | B: 11,46 - 0,85 | C: 13,68 - 1,00 | D: 14,29 - 0,82 | E:17,29-1,00 |



All original equipment manufacturers' numbers, symbols, pictures, models and description used in this catalogue are for reference only, and it is not implied that any part listed is the product of these manufactures. Tutti i nostri particolari non sono originali ma con essi intercambiabili. I riferimenti originali, le figure, i modelli sono esposti a semplice titolo indicativo. La nostra produzione riporta il nostro marchio.

| Fig. | CEI no. | O.E.M. Reference |              | Description             | Q.ty | Note              | Ratio |               |               |               |               |  |  |
|------|---------|------------------|--------------|-------------------------|------|-------------------|-------|---------------|---------------|---------------|---------------|--|--|
|      |         | ZF no.           | MB no.       |                         |      |                   |       | 16S112 (1296) | 16S130 (1295) | 16S160 (1297) | 16S190 (1297) |  |  |
| 37   | 189.421 | 1296 312 053     | 000 267 0918 | Piston                  | 1    |                   |       | ●             | ●             | ●             | ●             |  |  |
| 38   |         | 0750 112 089     | 000 267 0997 | Ring 53x63x16,2         | 1    |                   |       | ●             | ●             | ●             | ●             |  |  |
| 39   |         | 0737 006 095     | 000 990 9658 | Nut                     | 1    |                   |       | ●             | ●             | ●             | ●             |  |  |
| 40   |         | 0750 132 032     |              | Cylinder                | 1    |                   |       | ●             | ●             | ●             | ●             |  |  |
| 40   |         | 0750 132 033     | 001 260 3057 | Cylinder                | 1    |                   |       | ●             | ●             | ●             | ●             |  |  |
| 40   | 280.350 | 1295 212 008     | 001 260 5957 | Cylinder                | 1    |                   |       | ●             | ●             | ●             | ●             |  |  |
| 40   |         | 1295 212 009     | 001 260 3157 | Cylinder                | 1    |                   |       |               |               | ●             |               |  |  |
| 41   | 141.085 | 1296 334 004     | 000 265 0649 | Bronze Slide            | 2    |                   |       | ●             | ●             | ●             | ●             |  |  |
| 42   |         | 1313 234 011     | 002 265 1005 | Fork                    | 1    |                   |       | ●             |               |               |               |  |  |
| 42   | 149.171 | 1312 234 002     | 002 265 0205 | Fork Lever              | 1    |                   |       |               | ●             | ●             | ●             |  |  |
| 43   | 139.331 | 0750 112 034     | 000 267 0697 | Cap Collar D.25x38x14,2 | 1    |                   |       | ●             | ●             | ●             | ●             |  |  |
| 44   | 189.422 | 1296 334 039     | 000 267 0818 | Piston                  | 1    |                   |       | ●             | ●             | ●             | ●             |  |  |
| 44   |         | 1297 334 056     | 000 267 1518 | Piston                  | 1    | (8)               |       |               |               |               | ●             |  |  |
| 45   | 132.047 | 1295 334 075     | 000 267 2119 | Cylinder                | 1    |                   |       | ●             | ●             | ●             | ●             |  |  |
| 45   |         | 1297 334 055     |              | Cylinder                | 1    | (8)               |       |               |               |               | ●             |  |  |
| 46   | 198.339 | 1268 298 938     |              | Spring Slide Set        | 1    |                   |       | ●             | ●             | ●             | ●             |  |  |
| 47   | 198.564 | CEI 198564       |              | Spring Slide Set        | 1    |                   |       | ●             | ●             | ●             | ●             |  |  |
| 48   | 198.842 | 1295 298 933     |              | Spring Slide Set        | 1    |                   |       | ●             | ●             | ●             | ●             |  |  |
| 49   | 198.447 | CEI 198447       |              | Gear Set                | 1    |                   | ABC   |               | ●             |               |               |  |  |
| 50   | 198.428 | 1295 298 960     | 624 356 0080 | Oil Seal Ring Kit       | 1    |                   |       | ●             | ●             | ●             | ●             |  |  |
| 51   | 198.427 | 1295 298 915     |              | Gasket Kit              | 1    |                   |       | ●             | ●             | ●             | ●             |  |  |
| 52   | 198.856 | CEI 198856       |              | Synchronizer cone kit   | 1    | Can repl. fig. 15 |       | ●             | ●             | ●             | ●             |  |  |
| 53   | 135.128 | CEI 135128       |              | Saddle Plate            | 1    | Use with fig. 54  |       | ●             | ●             | ●             | ●             |  |  |
| 54   | 109.174 | 1296 333 050     |              | Synchronizer Cone       | 1    | Use with fig. 53  |       | ●             | ●             | ●             | ●             |  |  |

All original equipment manufacturers numbers, symbols, pictures, models and description used in this catalogue are for reference only, and it is not implied that any part listed is the product of these manufactures.  
Tutti i nostri particolari non sono originali ma con essi intercambiabili. I riferimenti originali, le figure, i modelli sono esposti a semplice titolo indicativo. La nostra produzione riporta il nostro marchio.

**ECO I**  
From 16S112  
To 16S190

## Notes

(8) New Reinforced Style. Use items marked (8) together

## Date

03 / 2006

## Table

002 / B





suitable to :

**Z.F.****EcoSplit II****From 16S150 to 16S220****ECO II**  
16S220**Application**

|                 | 16S150<br>(1313) | 16S220<br>(1312) |  |  |
|-----------------|------------------|------------------|--|--|
| <b>MERCEDES</b> |                  |                  |  |  |
| <b>MAN</b>      |                  |                  |  |  |
| <b>IVECO</b>    |                  |                  |  |  |
| <b>RVI</b>      |                  |                  |  |  |
| <b>DAF</b>      |                  |                  |  |  |
| <b>VOLVO</b>    |                  |                  |  |  |

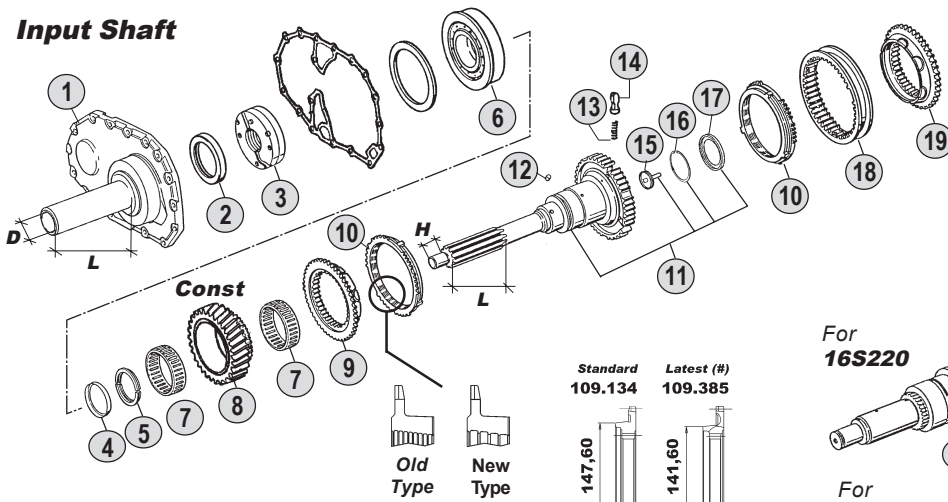
**Ratios**

|               | R.10,14-0,72<br><b>A</b> | R.13,80-0,84<br><b>B</b> | R.16,47-1,00<br><b>C</b> |  |  |
|---------------|--------------------------|--------------------------|--------------------------|--|--|
| <b>16S150</b> |                          |                          |                          |  |  |
| <b>16S220</b> |                          |                          |                          |  |  |
|               |                          |                          |                          |  |  |
|               |                          |                          |                          |  |  |

Suitable To : **ZF**

**16S220**

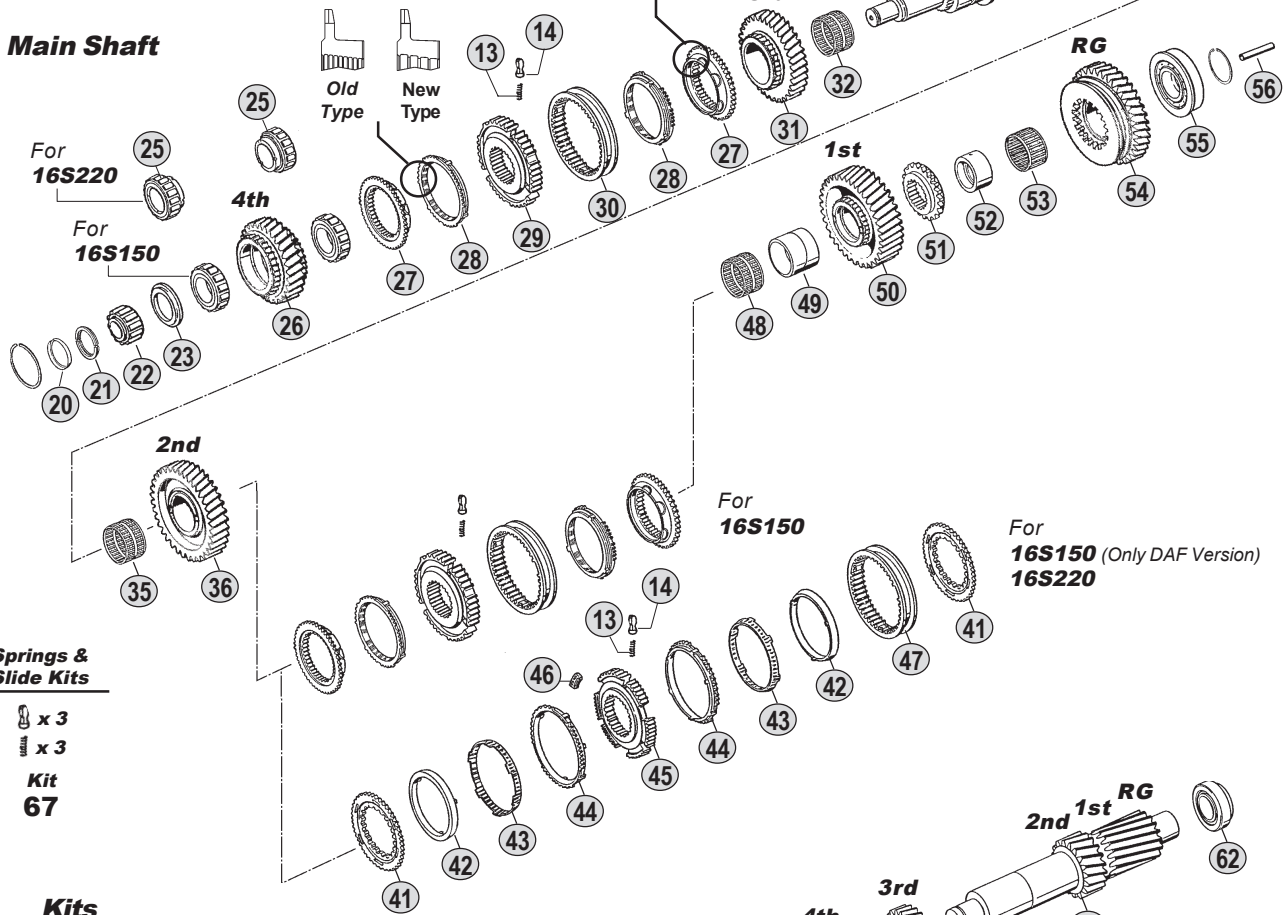
**Input Shaft**



(#)  
**Synchro Rebuilt Kit**  
4th / 3rd  
Fig. 13/14/27/28/29/30



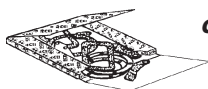
**Main Shaft**



**Springs & Slide Kits**

- x 3
- x 3
- Kit 67**

**Kits**

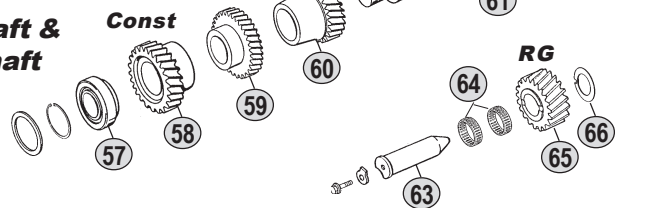


**Gasket Kit 69**



**Oil Seal Kit 68**

**Countershaft & Reverse Shaft**



**Ratios**

**16S220** A: 10,14-0,72 B: 13,80 - 0,84 C: 16,47 - 1,00

All original equipment manufacturers' numbers, symbols, pictures, models and description used in this catalogue are for reference only, and it is not implied that any part listed is the product of these manufactures. Tutti i nostri particolari non sono originali ma con essi intercambiabili. I riferimenti originali, le figure, i modelli sono esposti a semplice titolo indicativo. La nostra produzione riporta il nostro marchio.

| Fig. | CEI no.        | O.E.M. Reference |                 | Description                | Q.ty | Note       | Ratio | 16S220 (1312) |  |  |  |  |  |
|------|----------------|------------------|-----------------|----------------------------|------|------------|-------|---------------|--|--|--|--|--|
|      |                | ZF no.           | MB no.          |                            |      |            |       |               |  |  |  |  |  |
| 1    |                | 1312 302 036     |                 | Front Cover                | 1    | L=170-D=60 | ●     |               |  |  |  |  |  |
| 2    | 139.754        | 0734 310 386     | 023 997 9447    | Oil Seal 55x75x8           | 1    |            | ●     |               |  |  |  |  |  |
| 3    | <b>280.348</b> | 1295 202 041     | 000 260 1290    | Oil Pump                   | 1    |            | ●     |               |  |  |  |  |  |
| 4    | 169.754        | 0730 061 816     | 000 262 0673    | Securing Ring              | 1    |            | ●     |               |  |  |  |  |  |
| 5    |                | 0730 106 168     |                 | Split Ring                 | 1    | S.4,30 mm  | ●     |               |  |  |  |  |  |
| 5    |                | 0730 106 158     |                 | Split Ring                 | 1    | S.3,80 mm  | ●     |               |  |  |  |  |  |
| 6    | <b>130.306</b> | 0750 117 431     | 009 981 0001    | Bearing D.75x150x30,50     | 1    |            | ●     |               |  |  |  |  |  |
| 7    | <b>137.134</b> | 0735 321 438     | 016 981 3410    | Needle Cage D.93x101x32,50 | 1    |            | ●     |               |  |  |  |  |  |
| 8    |                | 1312 302 077     |                 | Constant Gear 28 T         | 1    |            | A     | ●             |  |  |  |  |  |
| 8    | <b>145.491</b> | 1312 302 073     |                 | Constant Gear 34 T         | 1    |            | B     | ●             |  |  |  |  |  |
| 8    | 145.490        | 1312 302 074     |                 | Constant Gear 30 T         | 1    |            | C     | ●             |  |  |  |  |  |
| 9    | <b>109.134</b> | 1312 304 027     | 000 262 5535    | Synchronizer Cone          | 1    |            |       | ●             |  |  |  |  |  |
| 10   | <b>119.119</b> | 1297 304 402     | 000 262 3834    | Synchronizer Ring          | 2    | Old Type   |       | ●             |  |  |  |  |  |
| 10   | <b>119.167</b> | 1297 304 484     | 000 262 7034    | Synchronizer Ring          | 2    | New Type   |       | ●             |  |  |  |  |  |
| 11   | 102.244        | 1312 202 037     |                 | Input Shaft                | 1    |            |       | ●             |  |  |  |  |  |
| 12   |                | 0635 470 012     | 005 402 007 200 | Pin                        | 1    |            |       | ●             |  |  |  |  |  |
| 13   | <b>156.140</b> | 0732 040 409     | 005 993 6101    | Spring D.6,50x23,50        | 3    |            |       | ●             |  |  |  |  |  |
| 14   | <b>160.189</b> | 1297 304 436     | 000 264 0839    | Pressure Piece             | 3    |            |       | ●             |  |  |  |  |  |
| 15   |                | 1312 302 095     |                 | Tube                       | 1    |            |       | ●             |  |  |  |  |  |
| 16   | 189.631        | 0630 502 027     |                 | Ring                       | 1    |            |       | ●             |  |  |  |  |  |
| 17   | 189.632        | 0501 320 435     |                 | Diaphragm                  | 1    |            |       | ●             |  |  |  |  |  |
| 18   | <b>154.135</b> | 1310 304 202     | 001 262 1823    | Sliding Sleeve             | 1    |            |       | ●             |  |  |  |  |  |
| 19   | <b>109.133</b> | 1312 304 056     |                 | Synchronizer Cone          | 1    |            |       | ●             |  |  |  |  |  |
| 20   |                | 0730 062 781     | 000 262 1373    | Ring                       | 1    |            |       | ●             |  |  |  |  |  |
| 21   |                | 0730 107 023     |                 | Split Ring                 | 1    | S.5,00 mm  |       | ●             |  |  |  |  |  |
| 21   |                | 0730 107 019     |                 | Split Ring                 | 1    | S.4,60 mm  |       | ●             |  |  |  |  |  |
| 22   | <b>137.150</b> | 0750 117 232     | 009 981 0201    | Roller Cage D.42x40,30     | 1    |            |       | ●             |  |  |  |  |  |
| 23   |                | 1315 304 051     |                 | Ring                       | 1    | S.8,30 mm  |       | ●             |  |  |  |  |  |
| 25   |                | 0750 118 258     | 002 980 1602    | Roller Cage D.67x101x38    | 1    |            |       | ●             |  |  |  |  |  |
| 26   |                | 1312 304 029     |                 | Gear 4th Speed 30T         | 1    | (1)        | A     | ●             |  |  |  |  |  |
| 26   | <b>146.425</b> | 1312 304 032     |                 | Gear 4th Speed 30 T        | 1    |            | B     | ●             |  |  |  |  |  |
| 26   | 146.317        | 1312 304 031     |                 | Gear 4th Speed 34 T        | 1    |            | C     | ●             |  |  |  |  |  |
| 27   | <b>109.134</b> | 1312 304 027     | 000 262 5535    | Synchronizer Cone          | 2    |            |       | ●             |  |  |  |  |  |
| 27   | <b>109.385</b> | 1316 304 159     |                 | Synchronizer Cone          | 2    |            | (#)   | ●             |  |  |  |  |  |
| 28   | <b>119.119</b> | 1297 304 402     | 000 262 3834    | Synchronizer Ring          | 2    | Old Type   |       | ●             |  |  |  |  |  |
| 28   | <b>119.167</b> | 1297 304 484     | 000 262 7034    | Synchronizer Ring          | 2    | New Type   |       | ●             |  |  |  |  |  |
| 28   | <b>119.217</b> | 1316 304 149     |                 | Synchronizer Ring          | 2    |            | (#)   | ●             |  |  |  |  |  |
| 29   | <b>157.180</b> | 1312 304 052     |                 | Synchronizer Hub           | 1    |            |       | ●             |  |  |  |  |  |
| 29   | <b>157.227</b> | 1316 304 162     |                 | Synchronizer hub           | 1    |            | (#)   | ●             |  |  |  |  |  |
| 30   | <b>154.135</b> | 1310 304 202     | 001 262 1823    | Sliding Sleeve             | 1    |            |       | ●             |  |  |  |  |  |
| 30   | <b>154.357</b> | 1315 304 135     |                 | Sliding Sleeve             | 1    |            | (#)   | ●             |  |  |  |  |  |
| 31   |                | 1312 304 075     |                 | Gear 3rd Speed 25 T        | 1    | (1)        | A     | ●             |  |  |  |  |  |
| 31   | 145.498        | 1312 304 137     |                 | Gear 3rd Speed 32 T        | 1    |            | B     | ●             |  |  |  |  |  |
| 31   | 145.497        | 1312 304 136     |                 | Gear 3rd Speed 34 T        | 1    |            | C     | ●             |  |  |  |  |  |
| 32   | 137.112        | 0735 320 451     | 010 981 4010    | Needle Cage D.82x90x60     | 1    |            | A     | ●             |  |  |  |  |  |

## Notes

- (1) 16S220 Special Version - Ratio 10,14-0,72. For this version to use :  
4th Speed - Synchro Cone 1312 304 027 / 3rd Speed Synchro - Cone 1312 304 080  
(#) Latest Synchro generation. **DO NOT MIX** the two different version.  
To update the previous one use the **synchro rebuilt kit fig. 70**

## Date

03 / 2006

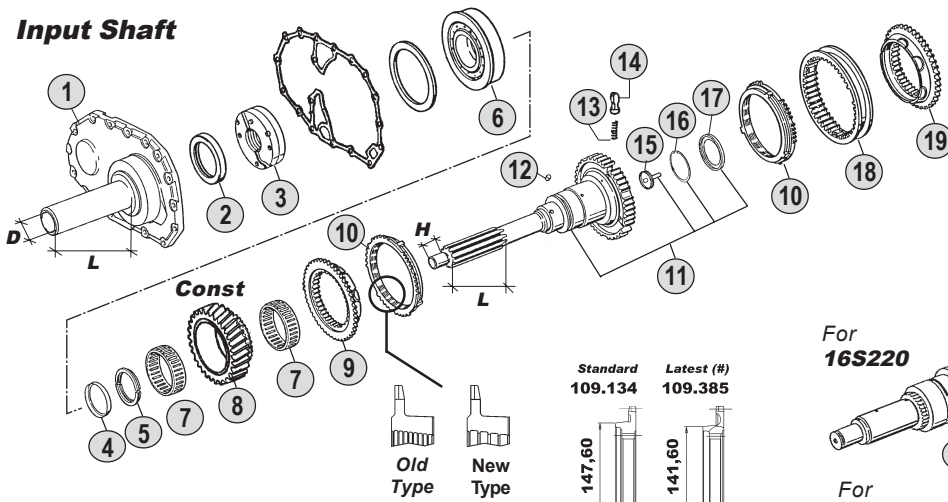
## Table

003 / A

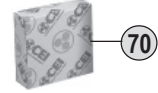
Suitable To : **ZF**

**16S220**

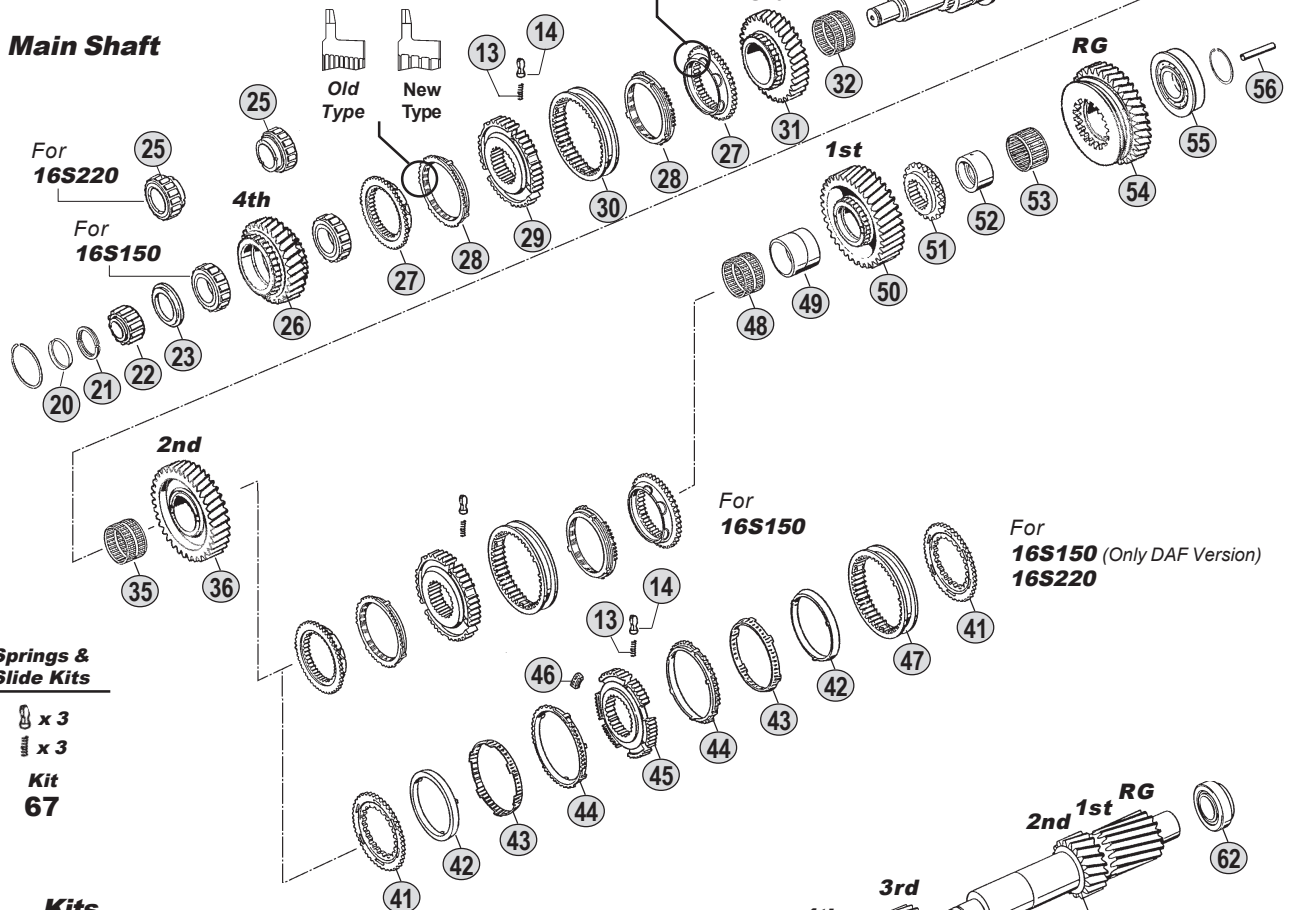
**Input Shaft**



(#)  
**Synchro Rebuilt Kit**  
4th / 3rd  
Fig. 13/14/27/28/29/30



**Main Shaft**



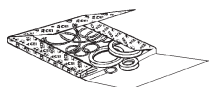
**Springs & Slide Kits**

- x 3
- x 3
- Kit 67**

**Kits**

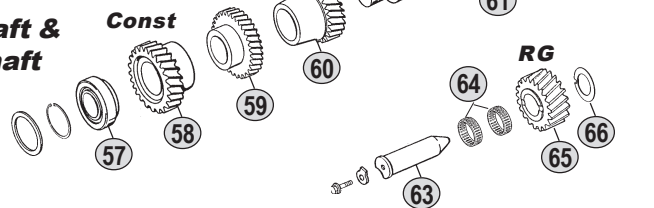


**Gasket Kit 69**



**Oil Seal Kit 68**

**Countershaft & Reverse Shaft**



**Ratios**

**16S220** A: 10,14-0,72 B: 13,80 - 0,84 C: 16,47 - 1,00

All original equipment manufacturers' numbers, symbols, pictures, models and description used in this catalogue are for reference only, and it is not implied that any part listed is the product of these manufactures. Tutti i nostri particolari non sono originali ma con essi intercambiabili. I riferimenti originali, le figure, i modelli sono esposti a semplice titolo indicativo. La nostra produzione riporta il nostro marchio.

| Fig. | O.E.M. Reference |              | Description  | Q.ty                      | Note | Ratio |        |  |  |  |  |  |
|------|------------------|--------------|--------------|---------------------------|------|-------|--------|--|--|--|--|--|
|      | CEI no.          | ZF no.       |              |                           |      |       | MB no. |  |  |  |  |  |
| 32   | <b>137.138</b>   | 0750 115 303 |              | Needle Cage D.92x100x63   | 1    | BC    | ●      |  |  |  |  |  |
| 34   |                  | 1312 304 161 |              | Main Shaft                | 1    | A     | ●      |  |  |  |  |  |
| 34   | <b>103.128</b>   | 1316 304 130 | 000 262 7805 | Main Shaft                | 1    | BC    | ●      |  |  |  |  |  |
| 35   | <b>137.138</b>   | 0750 115 303 |              | Needle Cage D.92x100x63   | 1    |       | ●      |  |  |  |  |  |
| 36   |                  | 1312 304 142 |              | Gear 2nd Speed            | 1    | A     | ●      |  |  |  |  |  |
| 36   | 145.504          | 1312 304 141 |              | Gear 2nd Speed 37 T       | 1    | B     | ●      |  |  |  |  |  |
| 36   | 145.503          | 1312 304 139 | 000 262 6712 | Gear 2nd Speed 38 T       | 1    | C     | ●      |  |  |  |  |  |
| 41   |                  | 1312 304 092 |              | Synchronizer Cone         | 2    | A     | ●      |  |  |  |  |  |
| 41   | <b>109.176</b>   | 1312 304 106 | 000 263 2120 | Synchronizer Cone         | 2    | BC    | ●      |  |  |  |  |  |
| 42   | <b>119.152</b>   | 1268 304 424 | 000 262 2636 | Intermediate Ring         | 2    |       | ●      |  |  |  |  |  |
| 43   | <b>119.153</b>   | 1268 304 494 | 000 262 3436 | Intermediate Cone         | 2    |       | ●      |  |  |  |  |  |
| 44   | <b>119.144</b>   | 1268 304 525 | 000 262 3934 | Synchronizer Ring         | 2    |       | ●      |  |  |  |  |  |
| 45   | <b>157.181</b>   | 1312 304 158 |              | Synchronizer Hub          | 1    |       | ●      |  |  |  |  |  |
| 46   | <b>156.176</b>   | 1312 304 159 | 000 262 4240 | Pad                       | 3    |       | ●      |  |  |  |  |  |
| 47   | <b>154.190</b>   | 1310 304 175 | 001 262 1123 | Sliding Sleeve            | 1    |       | ●      |  |  |  |  |  |
| 48   |                  | 0750 115 304 |              | Needle Cage D.92x100x72   | 1    | A     | ●      |  |  |  |  |  |
| 48   | <b>137.151</b>   | 0750 115 327 |              | Needle Cage D.96x104x72   | 1    | BC    | ●      |  |  |  |  |  |
| 49   |                  | 1312 304 008 |              | Bush                      | 1    | A     | ●      |  |  |  |  |  |
| 49   | <b>117.310</b>   | 1312 304 084 |              | Bush D.85x96x72           | 1    | BC    | ●      |  |  |  |  |  |
| 50   |                  | 1312 304 077 |              | Gear 1st Speed 34 T       | 1    | A     | ●      |  |  |  |  |  |
| 50   | 145.509          | 1312 304 086 |              | Gear 1st Speed 44 T       | 1    | B     | ●      |  |  |  |  |  |
| 50   | 145.510          | 1312 304 085 |              | Gear 1st Speed 47 T       | 1    | C     | ●      |  |  |  |  |  |
| 51   |                  | 1312 304 037 |              | Engaging Ring             | 1    | A     | ●      |  |  |  |  |  |
| 51   | 109.181          | 1312 304 083 |              | Engaging Ring             | 1    | BC    | ●      |  |  |  |  |  |
| 52   |                  | 1312 304 011 |              | Bush                      | 1    | A     | ●      |  |  |  |  |  |
| 52   | <b>117.311</b>   | 1316 304 133 | 000 262 7150 | Bush D.80x90x50           | 1    | BC    | ●      |  |  |  |  |  |
| 53   |                  | 0735 321 103 |              | Roller Cage D.77x85x50    | 1    | A     | ●      |  |  |  |  |  |
| 53   | <b>137.140</b>   | 0750 115 326 |              | Roller Cage D.90x98x50    | 1    | BC    | ●      |  |  |  |  |  |
| 54   |                  | 1312 304 078 |              | Reverse Gear 39 T         | 1    | A     | ●      |  |  |  |  |  |
| 54   | 147.141          | 1312 304 088 |              | Reverse Gear 39 T         | 1    | B     | ●      |  |  |  |  |  |
| 54   | 147.139          | 1312 304 087 |              | Reverse Gear 38 T         | 1    | C     | ●      |  |  |  |  |  |
| 55   |                  | 0750 117 233 |              | Bearing D.65x140x36,5     | 1    | A     | ●      |  |  |  |  |  |
| 55   | <b>130.304</b>   | 0750 117 678 |              | Bearing D.80x140x36,50    | 1    | BC    | ●      |  |  |  |  |  |
| 56   | 188.209          | 1312 304 150 | 000 262 1953 | Oil Tube                  | 1    |       | ●      |  |  |  |  |  |
| 57   | <b>130.308</b>   | 0750 117 009 | 001 980 8402 | Bearing D.49,2x103,1x43,6 | 1    |       | ●      |  |  |  |  |  |
| 58   |                  | 1312 303 003 |              | Constant Gear 34 T        | 1    | A     | ●      |  |  |  |  |  |
| 58   | <b>146.411</b>   | 1312 303 006 |              | Constant Gear 37 T        | 1    | B     | ●      |  |  |  |  |  |
| 58   | 146.412          | 1312 303 005 |              | Constant Gear 39 T        | 1    | C     | ●      |  |  |  |  |  |
| 59   |                  | 1312 303 014 |              | Gear 4th Speed 31 T       | 1    | A     | ●      |  |  |  |  |  |
| 59   | <b>146.417</b>   | 1312 303 017 |              | Gear 4th Speed 39 T       | 1    | B     | ●      |  |  |  |  |  |
| 59   | 146.418          | 1312 303 016 |              | Gear 4th Speed 37 T       | 1    | C     | ●      |  |  |  |  |  |
| 60   |                  | 1312 303 036 |              | Gear 3rd Speed 36 T       | 1    | A     | ●      |  |  |  |  |  |
| 60   | 146.423          | 1312 303 020 |              | Gear 3rd Speed 28 T       | 1    | B     | ●      |  |  |  |  |  |
| 60   | 146.424          | 1312 303 021 |              | Gear 3rd Speed 26 T       | 1    | C     | ●      |  |  |  |  |  |
| 61   |                  | 1312 303 037 |              | Countershaft 20-24 T      | 1    | A     | ●      |  |  |  |  |  |

## Notes

- (1) 16S220 Special Version - Ratio 10,14-0,72. For this version to use :  
4th Speed - Synchro Cone 1312 304 027 / 3rd Speed Synchro - Cone 1312 304 080  
(#) Latest Synchro generation. **DO NOT MIX** the two different version.  
To update the previous one use the **synchro rebuilt kit fig. 70**

## Date

03 / 2006

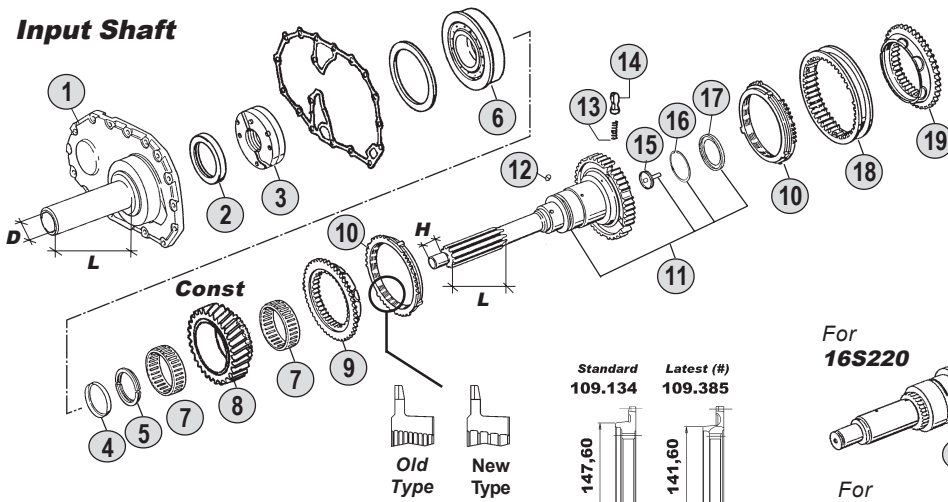
## Table

003 / A

Suitable To : **ZF**

**16S220**

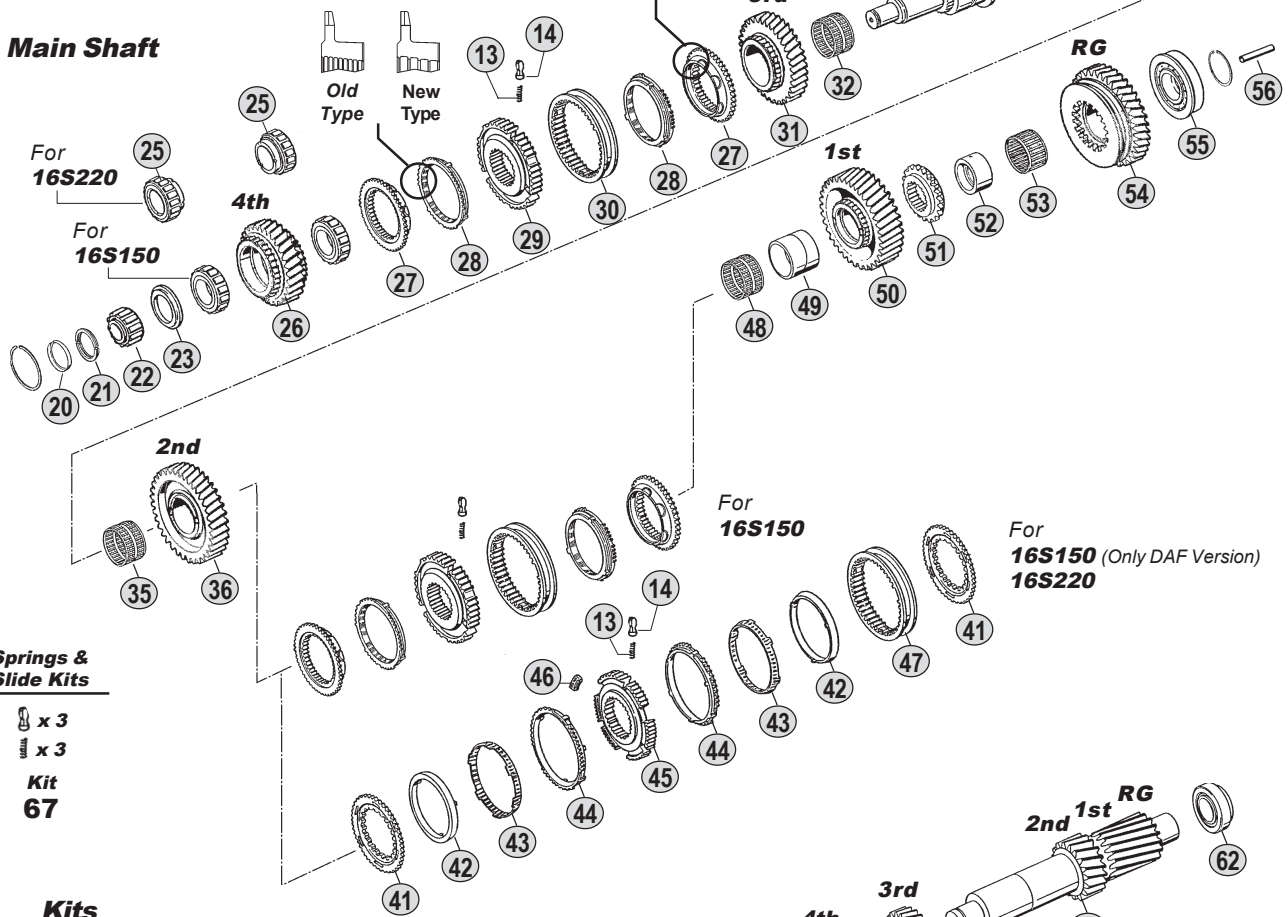
**Input Shaft**



(#)  
**Synchro Rebuilt Kit**  
4th / 3rd  
Fig. 13/14/27/28/29/30



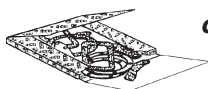
**Main Shaft**



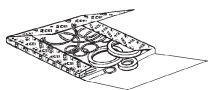
**Springs & Slide Kits**

- x 3
- x 3
- Kit 67**

**Kits**

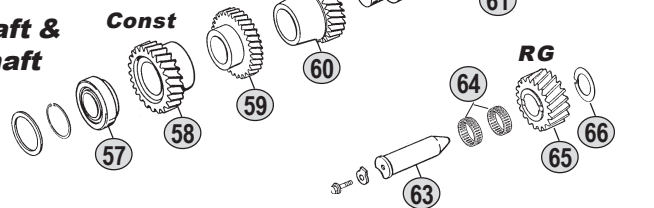


**Gasket Kit 69**



**Oil Seal Kit 68**

**Countershaft & Reverse Shaft**



**Ratios**

**16S220** A: 10,14-0,72 B: 13,80 - 0,84 C: 16,47 - 1,00

All original equipment manufacturers' numbers, symbols, pictures, models and description used in this catalogue are for reference only, and it is not implied that any part listed is the product of these manufactures. Tutti i nostri particolari non sono originali ma con essi intercambiabili. I riferimenti originali, le figure, i modelli sono esposti a semplice titolo indicativo. La nostra produzione riporta il nostro marchio.

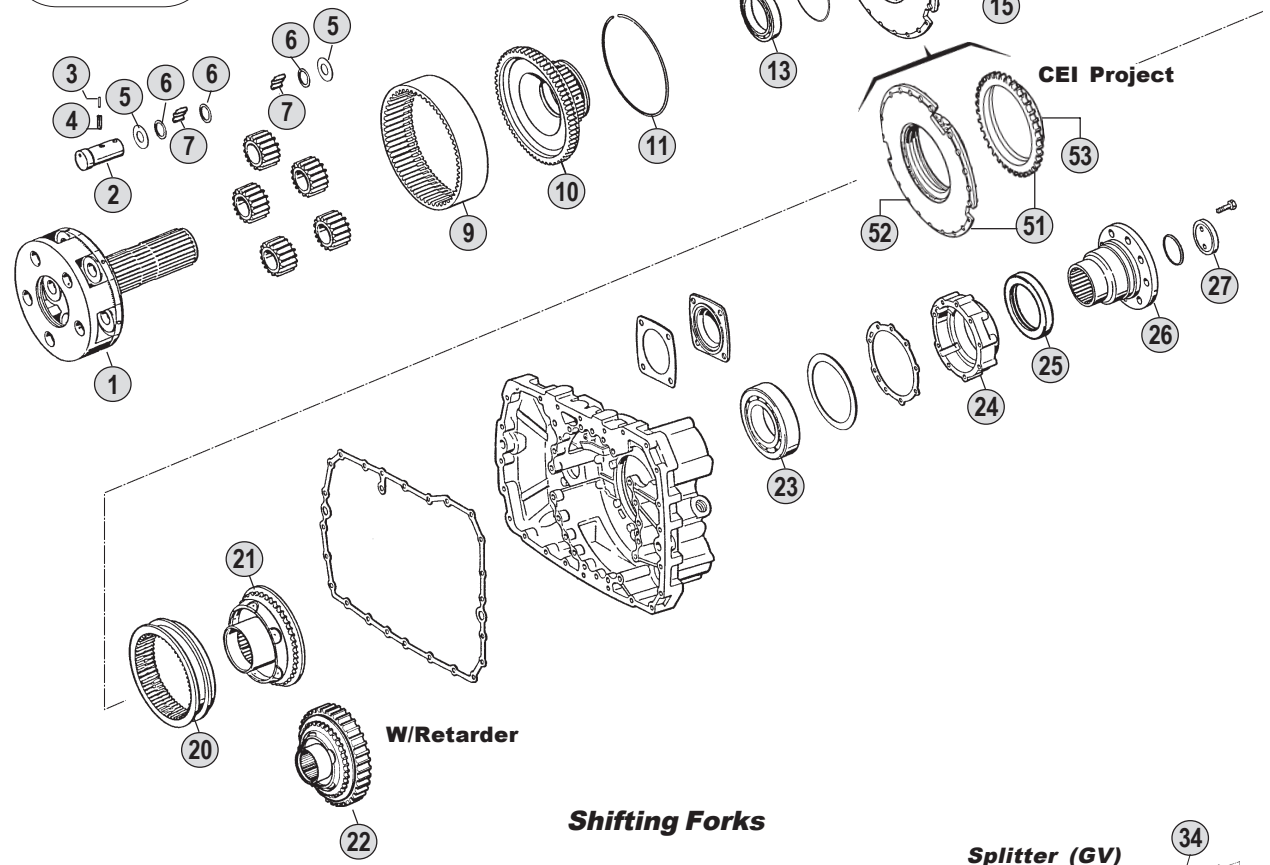
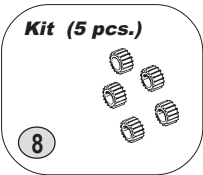




**Planet Carrier (GP)**

**Springs & Slides Kits**

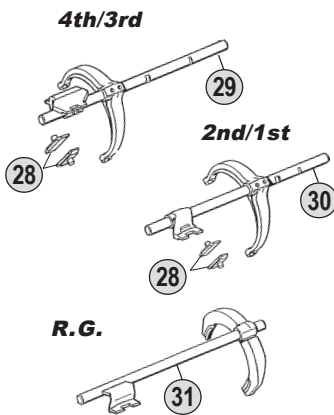
|               |               |               |
|---------------|---------------|---------------|
| x 3           | x 6           | x 9           |
| x 3           | x 6           | x 9           |
| x 3           | x 6           | x 9           |
| <b>Kit 46</b> | <b>Kit 47</b> | <b>Kit 48</b> |



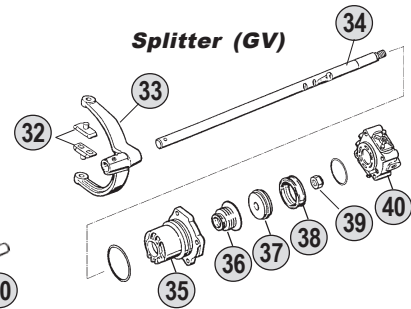
**Kits**



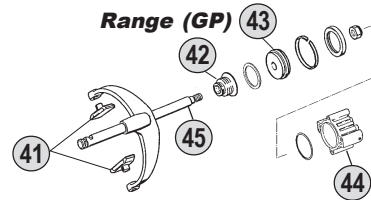
**Shifting Forks**



**Splitter (GV)**



**Range (GP)**



**Ratios**

**16S220** A: 10,14-0,72 B: 13,80 - 0,84 C: 16,47 - 1,00

All original equipment manufacturers' numbers, symbols, pictures, models and description used in this catalogue are for reference only, and it is not implied that any part listed is the product of these manufactures. Tutti i nostri particolari non sono originali ma con essi intercambiabili. I riferimenti originali, le figure, i modelli sono esposti a semplice titolo indicativo. La nostra produzione riporta il nostro marchio.

| Fig. | O.E.M. Reference |              | Description  | Q.ty                        | Note | Ratio         |    |   |  |  |  |        |
|------|------------------|--------------|--------------|-----------------------------|------|---------------|----|---|--|--|--|--------|
|      | CEI no.          | ZF no.       |              |                             |      |               |    |   |  |  |  | MB no. |
| 1    |                  | 1312 232 016 |              | Planetary Carrier           | 1    |               | A  | ● |  |  |  |        |
| 1    | 190.392          | 1316 232 006 |              | Planetary Carrier           | 1    |               | BC | ● |  |  |  |        |
| 2    | <b>107.163</b>   | 1297 332 109 | 000 263 0374 | Planet Shaft                | 5    |               | A  | ● |  |  |  |        |
| 2    | 107.165          | 1312 332 026 | 000 263 0474 | Planet Shaft                | 5    |               | BC | ● |  |  |  |        |
| 3    | 160.195          | 0631 329 167 |              | Lock Pin D.3x26             | 5    |               |    | ● |  |  |  |        |
| 4    | 160.194          | 0631 329 051 |              | Lock Pin D.5x26             | 5    |               |    | ● |  |  |  |        |
| 5    | <b>169.753</b>   | 0501 306 212 | 000 263 0562 | Thrust Washer D.29x64x1,5   | 10   |               | A  | ● |  |  |  |        |
| 5    | <b>169.759</b>   | 0501 308 981 | 000 263 0762 | Thrust Washer               | 10   |               | BC | ● |  |  |  |        |
| 6    | <b>169.410</b>   | 0730 103 846 | 003 264 2052 | Spacer Ring D.29x39x1,00    | 15   |               | A  | ● |  |  |  |        |
| 6    | 169.744          | 0730 107 168 | 000 264 0947 | Spacer Ring                 | 15   |               | BC | ● |  |  |  |        |
| 7    | <b>171.062</b>   | 0750 119 116 | 000 981 4686 | Roller D.10x16,8            | 120  |               | A  | ● |  |  |  |        |
| 7    | <b>171.062</b>   | 0750 119 116 | 000 981 4686 | Roller D.10x16,8            | 140  |               | BC | ● |  |  |  |        |
| 8    | <b>198.803</b>   | 1297 232 023 | 000 260 1597 | Planetary Gear Set (5 pcs)  | 1    |               | A  | ● |  |  |  |        |
| 8    | <b>198.801</b>   | 1312 232 014 | 000 260 2397 | Planetary Gear Set (5 pcs)  | 1    |               | BC | ● |  |  |  |        |
| 9    | <b>123.217</b>   | 1297 332 080 | 000 263 6310 | Crown Gear 83 T             | 1    |               | A  | ● |  |  |  |        |
| 9    | <b>123.208</b>   | 1295 332 086 | 001 263 2110 | Crown Gear 86 T             | 1    |               | BC | ● |  |  |  |        |
| 10   |                  | 1297 332 108 |              | Flange Gear 83 T            | 1    |               | A  | ● |  |  |  |        |
| 10   | <b>150.134</b>   | 1297 332 120 |              | Flange Gear 86 T            | 1    |               | BC | ● |  |  |  |        |
| 11   | 111.129          | 0730 505 055 | 000 263 0973 | Locking Wire                | 1    |               | A  | ● |  |  |  |        |
| 11   | 111.198          | 0730 505 056 | 000 263 1973 | Locking Wire                | 1    |               | BC | ● |  |  |  |        |
| 13   | 130.311          | 0635 338 035 |              | Bearing D.100x125x13        | 1    |               |    | ● |  |  |  |        |
| 14   | <b>198.358</b>   | 1296 233 006 | 000 263 1720 | Synchronizer Cone           | 1    |               |    | ● |  |  |  |        |
| 15   | <b>119.085</b>   | 1296 333 022 | 000 263 0234 | Synchronizer ring           | 2    | Old Type      |    | ● |  |  |  |        |
| 15   | <b>119.172</b>   | 1296 333 045 | 000 263 0534 | Synchronizer ring           | 2    | New Type      |    | ● |  |  |  |        |
| 16   | <b>157.183</b>   | 1297 333 115 | 000 263 0935 | Synchronizer Hub            | 1    |               |    | ● |  |  |  |        |
| 17   | <b>160.116</b>   | 1240 304 278 | 336 264 0239 | Pressure piece              | 9    |               |    | ● |  |  |  |        |
| 18   | <b>156.036</b>   | 0732 040 386 | 336 264 0793 | Inner Spring De.3x34        | 9    |               |    | ● |  |  |  |        |
| 19   | <b>156.037</b>   | 0732 040 385 | 336 264 0693 | Outer Spring De.6x34        | 9    |               |    | ● |  |  |  |        |
| 20   | <b>154.098</b>   | 1296 333 023 | 000 263 0523 | Sliding Sleeve              | 1    |               |    | ● |  |  |  |        |
| 21   | <b>198.790</b>   | 1297 233 056 | 000 263 2220 | Synchronizer Cone (41 spl.) | 1    |               |    | ● |  |  |  |        |
| 22   |                  | 1312 333 014 |              | Synchronizer Cone           | 1    | With Retarder |    | ● |  |  |  |        |
| 23   | 130.245          | 0750 116 002 | 000 981 2920 | Bearing D.90x160x30         | 1    |               |    | ● |  |  |  |        |
| 24   | 128.098          | 1315 301 220 | 000 261 1732 | Cover                       | 1    |               |    | ● |  |  |  |        |
| 25   |                  | 0750 111 341 | 021 997 6447 | Oil Seal 105x130x12         | 1    |               |    | ● |  |  |  |        |
| 26   |                  | 1297 333 110 |              | Output Flange               | 1    | D.180-4 H     |    | ● |  |  |  |        |
| 27   |                  | 1312 332 028 |              | Stop Washer                 | 1    |               |    | ● |  |  |  |        |
| 28   | <b>141.163</b>   | 1297 306 120 | 000 268 1149 | Slide                       | 2    |               |    | ● |  |  |  |        |
| 29   |                  | 1312 206 025 |              | Fork                        | 1    |               |    | ● |  |  |  |        |
| 29   |                  | 1312 206 026 |              | Fork                        | 1    |               |    | ● |  |  |  |        |
| 29   |                  | 1312 206 045 |              | Fork                        | 1    | (4)           |    | ● |  |  |  |        |
| 30   |                  | 1312 206 013 |              | Fork                        | 1    |               |    | ● |  |  |  |        |
| 30   |                  | 1312 206 017 |              | Fork                        | 1    |               |    | ● |  |  |  |        |
| 30   |                  | 1312 206 043 |              | Fork                        | 1    | (4)           |    | ● |  |  |  |        |
| 31   |                  | 1312 206 027 |              | Fork                        | 1    |               |    | ● |  |  |  |        |
| 31   |                  | 1312 206 028 |              | Fork                        | 1    |               |    | ● |  |  |  |        |

## Notes

- (4) Only Pneumatic Version  
 (5) To be coupled Together  
 (6) To be coupled Together

## Date

03 / 2006

## Table

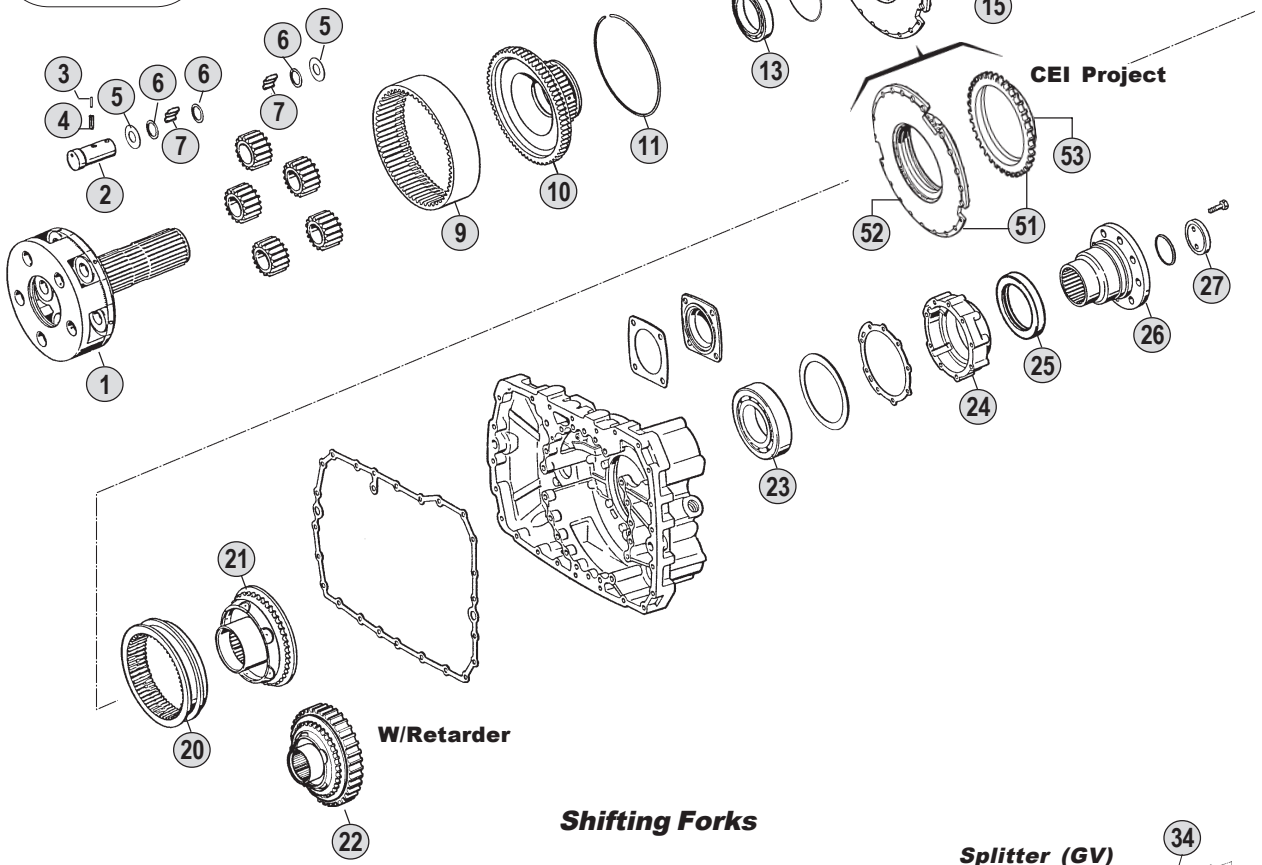
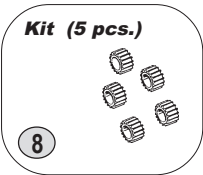
003 / B

All original equipment manufacturers numbers, symbols, pictures, models and description used in this catalogue are for reference only, and it is not implied that any part listed is the product of these manufactures.  
 Tutti i nostri particolari non sono originali ma con essi intercambiabili. I riferimenti originali, le figure, i modelli sono esposti a semplice titolo indicativo. La nostra produzione riporta il nostro marchio.

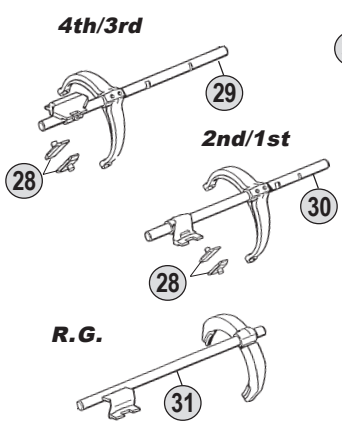
**Planet Carrier (GP)**

**Springs & Slides Kits**

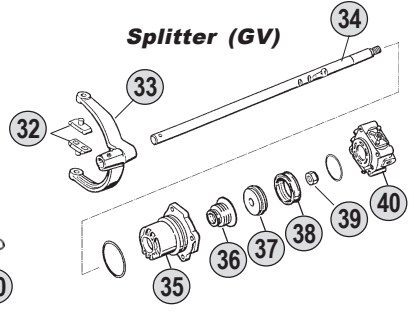
|               |               |               |
|---------------|---------------|---------------|
| x 3           | x 6           | x 9           |
| x 3           | x 6           | x 9           |
| x 3           | x 6           | x 9           |
| <b>Kit 46</b> | <b>Kit 47</b> | <b>Kit 48</b> |



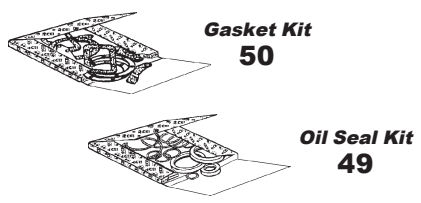
**Shifting Forks**



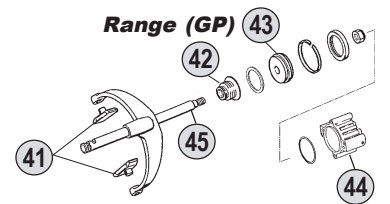
**Splitter (GV)**



**Kits**



**Range (GP)**



**Ratios**

**16S220** A: 10,14-0,72 B: 13,80 - 0,84 C: 16,47 - 1,00

All original equipment manufacturers' numbers, symbols, pictures, models and description used in this catalogue are for reference only, and it is not implied that any part listed is the product of these manufactures. Tutti i nostri particolari non sono originali ma con essi intercambiabili. I riferimenti originali, le figure, i modelli sono esposti a semplice titolo indicativo. La nostra produzione riporta il nostro marchio.

| Fig. | CEI no.        | O.E.M. Reference |              | Description             | Q.ty | Note              | Ratio | 16S220 (1312) |  |  |  |
|------|----------------|------------------|--------------|-------------------------|------|-------------------|-------|---------------|--|--|--|
|      |                | ZF no.           | MB no.       |                         |      |                   |       |               |  |  |  |
| 31   |                | 1312 206 033     |              | Fork                    | 1    | (4)               | ●     |               |  |  |  |
| 32   | <b>141.163</b> | 1297 306 120     | 000 268 1149 | Slide                   | 2    |                   | ●     |               |  |  |  |
| 33   |                | 1313 312 002     | 000 265 3701 | Fork                    | 1    |                   | ●     |               |  |  |  |
| 34   |                | 1312 312 001     |              | Rod                     | 1    |                   | ●     |               |  |  |  |
| 35   | 132.046        | 1296 312 042     | 000 267 0519 | Cylinder                | 1    |                   | ●     |               |  |  |  |
| 36   | 139.331        | 0750 112 034     | 000 267 0697 | Cap Collar D.25x38x14,2 | 1    |                   | ●     |               |  |  |  |
| 37   |                | 1312 312 003     |              | Piston                  | 1    |                   | ●     |               |  |  |  |
| 37   |                | 1312 312 015     |              | Piston                  | 1    | (4)               | ●     |               |  |  |  |
| 38   |                | 0750 112 089     | 000 267 0997 | Ring 53x63x16,2         | 1    |                   | ●     |               |  |  |  |
| 38   |                | 0750 112 048     | 021 997 2247 | Ring 53x63x5            | 1    | (4)               | ●     |               |  |  |  |
| 39   |                | 0737 006 095     | 000 990 9658 | Nut                     | 1    |                   | ●     |               |  |  |  |
| 40   |                | 0750 132 032     |              | Cylinder                | 1    |                   | ●     |               |  |  |  |
| 40   |                | 0750 132 033     | 001 260 3057 | Cylinder                | 1    |                   | ●     |               |  |  |  |
| 41   | <b>141.085</b> | 1296 334 004     | 000 265 0649 | Bronze Slide            | 2    |                   | ●     |               |  |  |  |
| 42   | 139.331        | 0750 112 034     | 000 267 0697 | Cap Collar D.25x38x14,2 | 1    |                   | ●     |               |  |  |  |
| 43   | 189.422        | 1296 334 039     | 000 267 0818 | Piston                  | 1    | (5)               | ●     |               |  |  |  |
| 43   |                | 1297 334 056     | 000 267 1518 | Piston                  | 1    | (6)               | ●     |               |  |  |  |
| 44   | <b>132.047</b> | 1295 334 075     | 000 267 2119 | Cylinder                | 1    | (5)               | ●     |               |  |  |  |
| 44   |                | 1297 334 055     |              | Cylinder                | 1    | (6)               | ●     |               |  |  |  |
| 45   | 149.171        | 1312 234 002     | 002 265 0205 | Fork Lever              | 1    |                   | ●     |               |  |  |  |
| 45   |                | 1312 234 004     |              | Fork                    | 1    | (4)               | ●     |               |  |  |  |
| 46   | <b>198.339</b> | 1268 298 938     |              | Spring Slide Set        | 1    |                   | ●     |               |  |  |  |
| 47   | <b>198.564</b> | CEI 198564       |              | Spring Slide Set        | 1    |                   | ●     |               |  |  |  |
| 48   | <b>198.842</b> | 1295 298 933     |              | Spring Slide Set        | 1    |                   | ●     |               |  |  |  |
| 49   |                | 1312 298 902     |              | Oil Seal Kit            | 1    |                   | ●     |               |  |  |  |
| 50   | <b>198.427</b> | 1295 298 915     |              | Gasket Kit              | 1    |                   | ●     |               |  |  |  |
| 51   | 198.856        | CEI 198856       |              | Synchronizer cone kit   | 1    | Can repl. fig. 14 | ●     |               |  |  |  |
| 52   | 135.128        | CEI 135128       |              | Saddle Plate            | 1    | Use with fig. 53  | ●     |               |  |  |  |
| 53   | <b>109.174</b> | 1296 333 050     |              | Synchronizer Cone       | 1    | Use with fig. 52  | ●     |               |  |  |  |

## Notes

- (4) Only Pneumatic Version  
 (5) To be coupled Together  
 (6) To be coupled Together

## Date

03 / 2006

## Table

003 / B

All original equipment manufacturers numbers, symbols, pictures, models and description used in this catalogue are for reference only, and it is not implied that any part listed is the product of these manufactures.  
 Tutti i nostri particolari non sono originali ma con essi intercambiabili. I riferimenti originali, le figure, i modelli sono esposti a semplice titolo indicativo. La nostra produzione riporta il nostro marchio.



Suitable to: **M.a.n.**

# Gearboxes Index

## EcoSplit I

**16K130**  
**16K160**

**16S130**  
**16S160**  
**16S190**

## EcoSplit II

**16S150**  
**16S220**

## EcoSplit III

**16S151**  
**16S181**  
**16S221**  
**16S251**

**M.A.N.-  
INDEX**



suitable to :

**Z.F.****EcoSplit I****From 16K130 to 16K190****Application**

|                 | 16K130 | 16K160 | 16K190 |
|-----------------|--------|--------|--------|
|                 | (1295) | (1297) | (1297) |
| <b>MERCEDES</b> |        |        |        |
| <b>M.A.N.</b>   |        |        |        |
| <b>IVECO</b>    |        |        |        |
| <b>R.V.I.</b>   |        |        |        |
| <b>DAF</b>      |        |        |        |
| <b>VOLVO</b>    |        |        |        |

**Ratios**

|               | R.11,46-0,85 | R.13,68-1,00 | R.14,29-0,82 |
|---------------|--------------|--------------|--------------|
|               | A            | B            | C            |
| <b>16K130</b> |              |              |              |
| <b>16K160</b> |              |              |              |
| <b>16K190</b> |              |              |              |

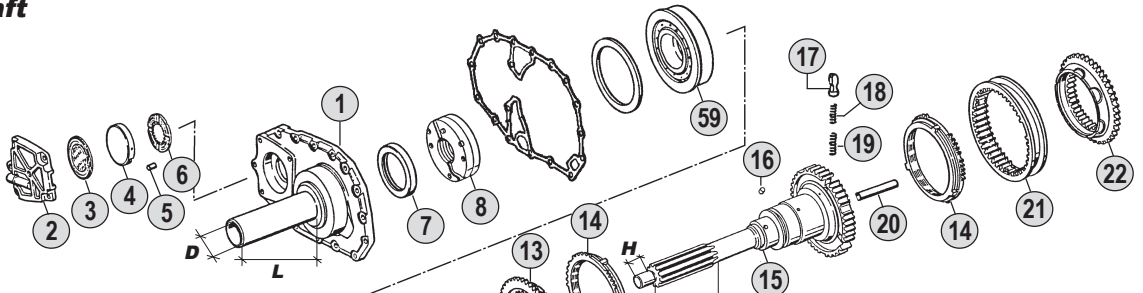
**ECO I**From 16K130  
To 16K190



Suitable To : **ZF**

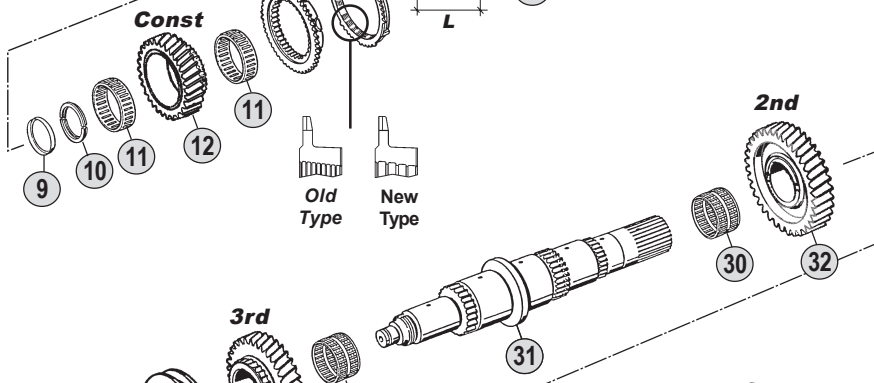
**16K130 - 16K160**

**Input Shaft**

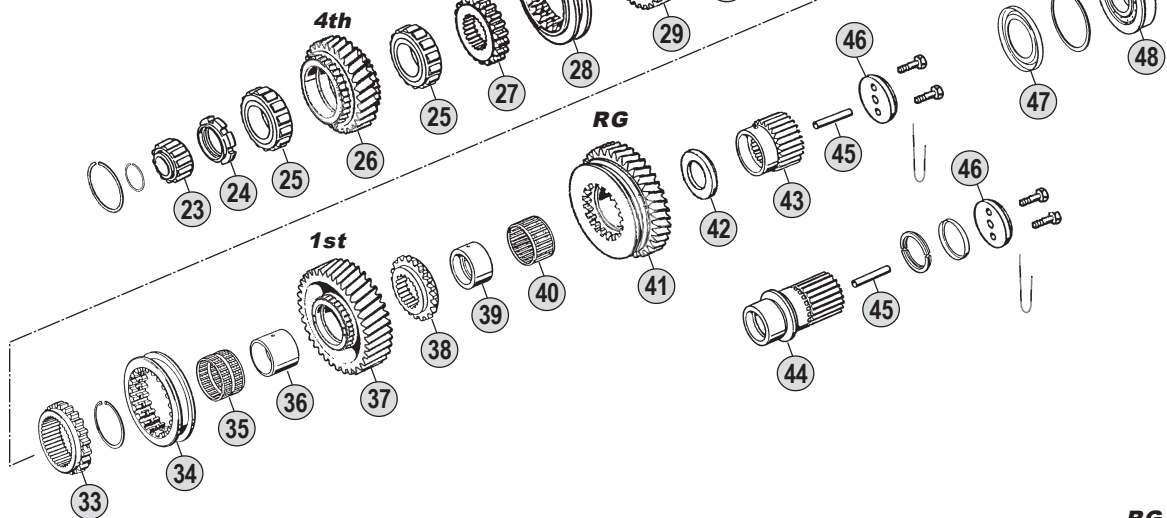


**Springs & Slides Kits**

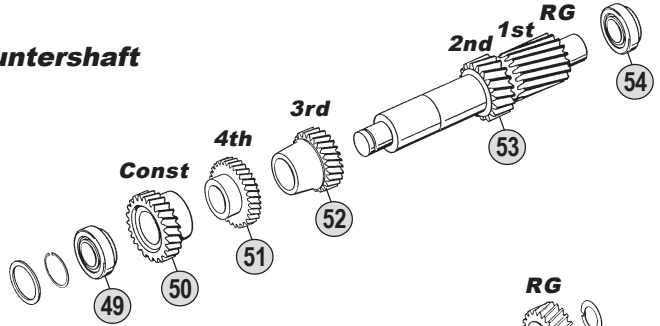
|               |               |               |
|---------------|---------------|---------------|
| x 3           | x 6           | x 9           |
| x 3           | x 6           | x 9           |
| x 3           | x 6           | x 9           |
| <b>Kit 60</b> | <b>Kit 61</b> | <b>Kit 62</b> |



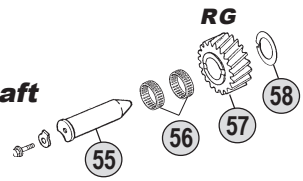
**Main Shaft**



**Countershaft**



**Reverse Shaft**



**Ratios**

|               |                 |                 |                 |       |       |
|---------------|-----------------|-----------------|-----------------|-------|-------|
| <b>16K130</b> | A: 11,46 - 0,85 | B: 13,68 - 1,00 | C: 14,29 - 0,82 | D: -- | E: -- |
| <b>16K160</b> | A: 11,46 - 0,85 | B: 13,68 - 1,00 | C: 14,29 - 0,82 | D: -- | E: -- |

All original equipment manufacturers' numbers, symbols, pictures and description used in this catalogue are for reference only, and it is not implied that any part listed is the product of these manufactures. Tutti i nostri particolari non sono originali ma con essi intercambiabili. I riferimenti originali, le figure, i modelli sono esposti a semplice titolo indicativo. La nostra produzione riporta il nostro marchio.

16K130 (1295)  
16K160 (1297)

| Fig. | O.E.M. Reference |              | Description   | Q.ty                      | Note | Ratio               |            |               |               |  |  |  |  |
|------|------------------|--------------|---------------|---------------------------|------|---------------------|------------|---------------|---------------|--|--|--|--|
|      | CEI no.          | ZF no.       |               |                           |      |                     | M.A.N. no. | 16K130 (1295) | 16K160 (1297) |  |  |  |  |
| 1    |                  | 1297 302 019 | 81 32508 0063 | Front Cover               | 1    | L=470 D=57          | ●          | ●             |               |  |  |  |  |
| 1    |                  | 1297 302 238 | 81 32522 0035 | Front Cover               | 1    | L=147 D=60          | ●          | ●             |               |  |  |  |  |
| 2    |                  | 1295 303 031 | 81 32508 0064 | Cover                     | 1    |                     | ●          | ●             |               |  |  |  |  |
| 3    |                  | 0750 190 012 | 81 32565 0001 | Disk                      | 1    |                     | ●          | ●             |               |  |  |  |  |
| 4    |                  | 1268 303 062 | 81 32639 0010 | Piston                    | 1    |                     | ●          | ●             |               |  |  |  |  |
| 5    |                  | 0731 302 032 | 81 32523 0100 | Pin                       | 1    |                     | ●          | ●             |               |  |  |  |  |
| 6    |                  | 1268 203 059 | 81 32564 0007 | Washer                    | 1    |                     | ●          | ●             |               |  |  |  |  |
| 7    |                  | 0750 111 002 | 81 96502 0225 | Oil Seal 48x75x8          | 1    |                     | ●          |               |               |  |  |  |  |
| 7    |                  | 0634 310 733 |               | Oil Seal 90x110x13        | 1    | (1)                 | ●          |               |               |  |  |  |  |
| 7    | 139.754          | 0734 310 386 | 81 96503 0342 | Oil Seal 55x75x8          | 1    |                     |            | ●             |               |  |  |  |  |
| 7    |                  | 0750 111 002 | 81 96502 0225 | Oil Seal 48x75x8          | 1    | (3)                 |            | ●             |               |  |  |  |  |
| 8    | <b>280.348</b>   | 1295 202 041 | 81 32563 0005 | Oil Pump                  | 1    |                     | ●          | ●             |               |  |  |  |  |
| 9    | 169.754          | 0730 061 816 | 81 90820 0141 | Securing Ring             | 1    |                     | ●          | ●             |               |  |  |  |  |
| 9    | 169.755          | 0730 062 579 | 81 90820 0370 | Securing Ring             | 1    | S.4,20 mm           | ●          | ●             |               |  |  |  |  |
| 10   |                  | 0730 103 244 | 81 32521 0062 | Split Ring T.4,30 mm      | 1    | S.4,30 mm (4)       | ●          | ●             |               |  |  |  |  |
| 10   |                  | 0730 103 935 | 81 32521 0107 | Split Ring T.3,80 mm      | 1    | S.3,80 mm (4)       | ●          | ●             |               |  |  |  |  |
| 10   |                  | 0730 105 156 | 81 32521 0122 | Split Ring T.4,00 mm      | 1    | S.4,00 mm (5)       | ●          | ●             |               |  |  |  |  |
| 10   |                  | 0730 105 154 |               | Split Ring T.3,80 mm      | 1    | S.3,80 mm (5)       | ●          | ●             |               |  |  |  |  |
| 11   | <b>137.082</b>   | 0735 320 786 | 81 93402 0067 | Needle Cage D.88x96x24,50 | 2    |                     | ●          |               |               |  |  |  |  |
| 11   | <b>137.153</b>   | 0735 320 896 | 81 93402 0102 | Needle Cage D.88x96x29    | 2    |                     |            | ●             |               |  |  |  |  |
| 12   | 145.489          | 1295 302 070 | 81 32301 0428 | Constant Gear 30 T        | 1    |                     |            | ●             |               |  |  |  |  |
| 12   | <b>145.276</b>   | 1295 302 071 | 81 32301 0585 | Constant Gear 28 T        | 1    |                     |            | ●             |               |  |  |  |  |
| 12   | 145.541          | 1295 302 122 | 81 32301 0599 | Constant Gear 29 T        | 1    |                     |            | ●             |               |  |  |  |  |
| 12   | <b>145.466</b>   | 1297 302 177 | 82 32301 0070 | Constant Gear 30 T        | 1    |                     |            | ●             |               |  |  |  |  |
| 12   | <b>145.406</b>   | 1297 302 176 | 81 32301 0563 | Constant Gear 28 T        | 1    |                     |            | ●             |               |  |  |  |  |
| 12   | <b>145.405</b>   | 1297 302 250 | 81 32301 0589 | Constant Gear 29 T        | 1    |                     |            | ●             |               |  |  |  |  |
| 13   | <b>109.072</b>   | 1295 304 278 | 81 32425 0071 | Synchronizer Cone         | 1    |                     | ●          | ●             |               |  |  |  |  |
| 14   | <b>119.084</b>   | 1295 304 004 | 81 32420 0081 | Synchronizer Ring         | 2    | Old Type            | ●          | ●             |               |  |  |  |  |
| 14   | <b>119.175</b>   | 1304 304 686 |               | Synchronizer Ring         | 2    | New Type            | ●          | ●             |               |  |  |  |  |
| 15   | 102.232          | 1295 202 007 | 81 32205 0147 | Input Shaft               | 1    | L=115H=25           | ●          |               |               |  |  |  |  |
| 15   | 102.254          | 1295 202 039 | 81 32205 0175 | Input Shaft               | 1    |                     | ●          |               |               |  |  |  |  |
| 15   |                  | 1295 221 001 | 81 32205 0173 | Input Shaft               | 1    | NMV130 (Clutch PTO) | ●          |               |               |  |  |  |  |
| 15   | 102.247          | 1297 202 008 | 81 32205 0149 | Input Shaft               | 1    | L=15H=25            |            | ●             |               |  |  |  |  |
| 15   | 102.235          | 1297 202 011 | 81 32205 0176 | Input Shaft               | 1    | L=115H=32           |            | ●             |               |  |  |  |  |
| 15   |                  | 1297 202 045 | 81 32205 0212 | Input Shaft               | 1    |                     |            | ●             |               |  |  |  |  |
| 16   |                  | 0635 470 012 | 06 32540 0118 | Pin                       | 1    |                     | ●          | ●             |               |  |  |  |  |
| 17   | <b>160.116</b>   | 1240 304 278 | 81 32510 0005 | Pressure piece            | 3    |                     | ●          | ●             |               |  |  |  |  |
| 18   | <b>156.036</b>   | 0732 040 386 | 81 97601 0758 | Inner Spring De.3x34      | 3    |                     | ●          | ●             |               |  |  |  |  |
| 19   | <b>156.037</b>   | 0732 040 385 | 81 97601 0757 | Outer Spring De.6x34      | 3    |                     | ●          | ●             |               |  |  |  |  |
| 20   | 188.208          | 0730 062 323 |               | Oil Tube                  | 1    |                     | ●          | ●             |               |  |  |  |  |
| 21   | <b>154.097</b>   | 1295 304 002 | 81 32402 0101 | Sliding Sleeve            | 1    |                     | ●          | ●             |               |  |  |  |  |
| 22   | <b>109.072</b>   | 1295 304 278 | 81 32425 0071 | Synchronizer Cone         | 1    |                     | ●          | ●             |               |  |  |  |  |
| 23   | 137.081          | 0750 118 010 | 81 93404 0028 | Roller Cage D.30x60x25,50 | 1    |                     | ●          |               |               |  |  |  |  |
| 23   | 137.113          | 0750 118 038 | 81 93420 0174 | Roller Cage D.35x68x27,50 | 1    |                     |            | ●             |               |  |  |  |  |
| 24   | 187.588          | 3081 303 063 | 81 90620 0074 | Grooved Nut M50x1.5       | 1    |                     | ●          |               |               |  |  |  |  |

## Notes

- (1) Only for input Shaft 1295 221 001 (3) Only for input Shaft 1297 202 008  
 (4) To be coupled together with Fig. 9 - 0730 061 816  
 (5) To be coupled together with Fig. 9 - 0730 062 579  
 (6) Old Type having straight teeth. Use items marked (6) together.  
 (7) Only for models having MNV130 ( clutch PTO)

## Date

03 / 2006

## Table

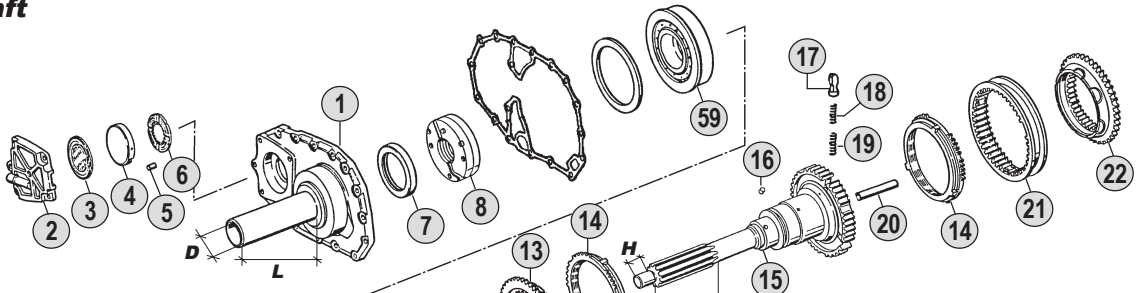
004 / A

All original equipment manufacturers numbers, symbols, pictures, models and description used in this catalogue are for reference only, and it is not implied that any part listed is the product of these manufactures.  
 Tutti i nostri particolari non sono originali ma con essi intercambiabili. I riferimenti originali, le figure, i modelli sono esposti a semplice titolo indicativo. La nostra produzione riporta il nostro marchio.

Suitable To : **ZF**

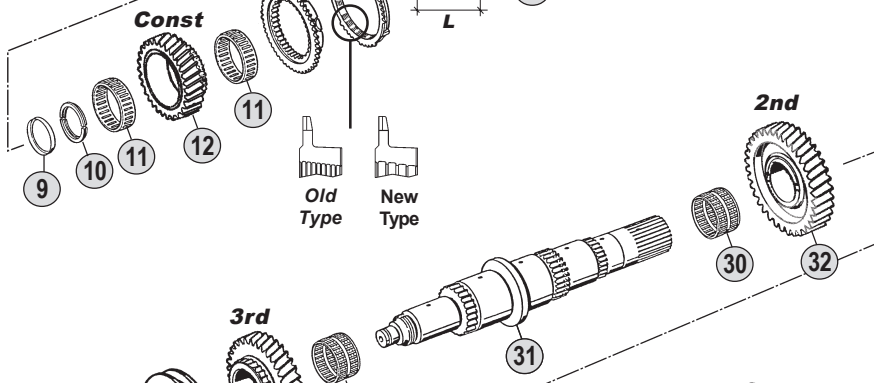
**16K130 - 16K160**

**Input Shaft**

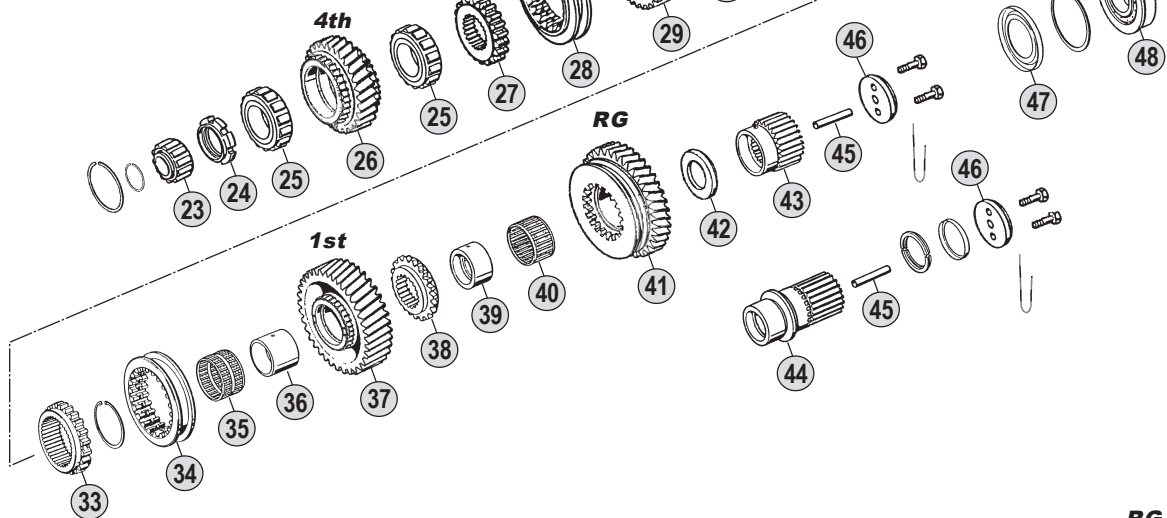


**Springs & Slides Kits**

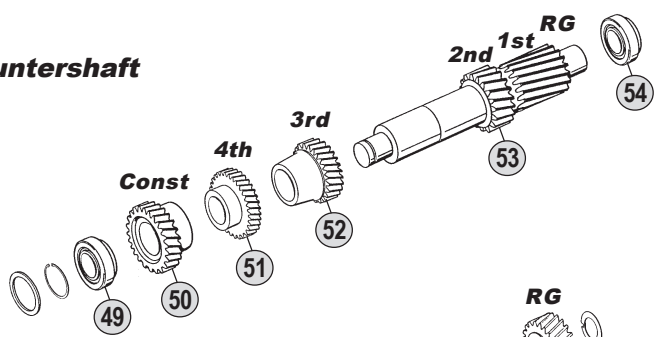
|               |               |               |
|---------------|---------------|---------------|
| x 3           | x 6           | x 9           |
| x 3           | x 6           | x 9           |
| x 3           | x 6           | x 9           |
| <b>Kit 60</b> | <b>Kit 61</b> | <b>Kit 62</b> |



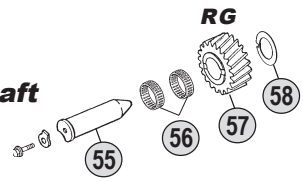
**Main Shaft**



**Countershaft**



**Reverse Shaft**



**Ratios**

|               |                 |                 |                 |       |       |
|---------------|-----------------|-----------------|-----------------|-------|-------|
| <b>16K130</b> | A: 11,46 - 0,85 | B: 13,68 - 1,00 | C: 14,29 - 0,82 | D: -- | E: -- |
| <b>16K160</b> | A: 11,46 - 0,85 | B: 13,68 - 1,00 | C: 14,29 - 0,82 | D: -- | E: -- |

All original equipment manufacturers' numbers, symbols, pictures and description used in this catalogue are for reference only, and it is not implied that any part listed is the product of these manufactures. Tutti i nostri particolari non sono originali ma con essi intercambiabili. I riferimenti originali, le figure, i modelli sono esposti a semplice titolo indicativo. La nostra produzione riporta il nostro marchio.

16K130 (1295)  
16K160 (1297)ECO I  
From 16K130  
To 16K160

| Fig. | CEI no. | O.E.M. Reference |               | Description                  | Q.ty | Note | Ratio |               |               |  |  |  |
|------|---------|------------------|---------------|------------------------------|------|------|-------|---------------|---------------|--|--|--|
|      |         | ZF no.           | M.A.N. no.    |                              |      |      |       | 16K130 (1295) | 16K160 (1297) |  |  |  |
| 24   | 187.412 | 0737 502 092     | 81 90620 0073 | Grooved Nut M60x1,5          | 1    |      |       | ●             |               |  |  |  |
| 25   |         | 0750 118 017     | 81 93420 0135 | Bearing D.55x90x33           | 2    |      |       | ●             |               |  |  |  |
| 25   | 137.083 | 0750 118 005     | 81 93420 0133 | Roller Cage D.63x97,5x34,80  | 2    |      |       | ●             |               |  |  |  |
| 26   | 146.464 | 1295 304 181     | 81 32301 0445 | Gear 4th Speed 28 T          | 1    |      | A     | ●             |               |  |  |  |
| 26   | 146.465 | 1295 304 182     |               | Gear 4th Speed 30 T          | 1    |      | B     | ●             |               |  |  |  |
| 26   | 146.466 | 1295 304 303     | 81 32301 0602 | Gear 4th Speed 26 T          | 1    |      | C     | ●             |               |  |  |  |
| 26   | 145.529 | 1297 304 128     | 81 32301 0465 | Gear 4th Speed 28 T          | 1    |      | A     | ●             |               |  |  |  |
| 26   | 145.420 | 1297 304 127     | 81 32301 0568 | Gear 4th Speed 30 T          | 1    |      | B     | ●             |               |  |  |  |
| 26   | 145.530 | 1297 304 258     | 81 32301 0592 | Gear 4th Speed 29 T          | 1    |      | C     | ●             |               |  |  |  |
| 27   | 157.208 | 1295 304 234     | 81 32403 0061 | Fixed Hub 3rd-4th Speed      | 1    |      |       | ●             |               |  |  |  |
| 27   | 157.195 | 1297 304 188     | 81 32403 0058 | Fixed Hub 4th-5th Speed      | 1    |      |       | ●             |               |  |  |  |
| 28   | 154.211 | 1295 304 179     | 81 32402 0104 | Sliding Sleeve 3rd-4th Speed | 1    |      |       | ●             |               |  |  |  |
| 28   | 154.189 | 1297 304 120     | 81 32402 0106 | Sliding Sleeve               | 1    |      |       | ●             |               |  |  |  |
| 29   | 145.551 | 1295 304 188     | 81 32301 0442 | Gear 3rd Speed 32 T          | 1    |      | AC    | ●             |               |  |  |  |
| 29   | 145.552 | 1295 304 187     |               | Gear 3rd Speed 34 T          | 1    |      | B     | ●             |               |  |  |  |
| 29   | 145.531 | 1297 304 116     | 81 32301 0464 | Gear 3rd Speed 32 T          | 1    |      | AC    | ●             |               |  |  |  |
| 29   | 145.468 | 1297 304 115     |               | Gear 3rd Speed 34 T          | 1    |      | B     | ●             |               |  |  |  |
| 30   | 137.158 | 0735 320 460     | 81 93402 0072 | Needle Cage D.82x90x46       | 2    |      |       | ●             |               |  |  |  |
| 30   | 137.084 | 0735 320 418     | 81 93402 0068 | Needle Cage D.82x90x49       | 2    |      |       | ●             |               |  |  |  |
| 31   | 103.141 | 1295 304 243     | 81 32202 0040 | Main Shaft                   | 1    |      | AB    | ●             |               |  |  |  |
| 31   | 103.142 | 1295 304 304     | 81 32202 0050 | Main Shaft                   | 1    |      | C     | ●             |               |  |  |  |
| 31   | 103.134 | 1297 304 179     |               | Main Shaft                   | 1    |      | AB    | ●             |               |  |  |  |
| 31   | 103.139 | 1297 304 264     | 81 32202 0049 | Main Shaft                   | 1    |      | C     | ●             |               |  |  |  |
| 32   | 145.547 | 1295 304 185     | 81 32301 0440 | Gear 2nd Speed 37 T          | 1    |      | AC    | ●             |               |  |  |  |
| 32   | 145.546 | 1295 304 184     |               | Gear 2nd Speed 38 T          | 1    |      | B     | ●             |               |  |  |  |
| 32   | 145.532 | 1297 304 113     | 81 32301 0461 | Gear 2nd Speed 37 T          | 1    |      | AC    | ●             |               |  |  |  |
| 32   | 145.467 | 1297 304 112     |               | Gear 2nd Speed 38 T          | 1    |      | B     | ●             |               |  |  |  |
| 33   | 157.197 | 1295 304 235     | 81 32403 0055 | Fixed Hub 1st-2nd Speed      | 1    |      |       | ●             | ●             |  |  |  |
| 34   | 154.212 | 1295 304 178     | 81 32402 0103 | Sliding Sleeve 1st-2nd Speed | 1    |      |       | ●             |               |  |  |  |
| 34   | 154.188 | 1297 304 119     | 81 32402 0105 | Sliding Sleeve               | 1    |      |       | ●             |               |  |  |  |
| 35   |         | 0735 320 461     | 81 93402 0087 | Needle Cage D.72x80x46       | 1    |      |       | ●             |               |  |  |  |
| 35   | 137.161 | 0735 320 568     | 81 93402 0073 | Needle Cage D.82x90x53       | 1    |      |       | ●             |               |  |  |  |
| 36   | 117.317 | 1297 304 055     | 81 32220 0058 | Bush                         | 1    |      |       | ●             |               |  |  |  |
| 37   | 145.548 | 1295 304 204     | 81 32301 0493 | Gear 1st Speed 44 T          | 1    |      | AC    | ●             |               |  |  |  |
| 37   | 145.549 | 1295 304 194     | 81 32301 0441 | Gear 1st Speed 44 T          | 1    | (6)  | A     | ●             |               |  |  |  |
| 37   | 145.550 | 1295 304 205     |               | Gear 1st Speed 47 T          | 1    |      | B     | ●             |               |  |  |  |
| 37   | 145.534 | 1297 304 151     | 81 32301 0498 | Gear 1st Speed 44 T          | 1    |      | AC    | ●             |               |  |  |  |
| 37   | 145.469 | 1297 304 150     |               | Gear 1st Speed 47 T          | 1    |      | B     | ●             |               |  |  |  |
| 38   | 109.075 | 1295 304 206     | 81 32425 0072 | Engaging Ring                | 1    |      |       | ●             |               |  |  |  |
| 38   | 109.184 | 1295 304 024     | 81 32425 0063 | Engaging Ring                | 1    | (6)  |       | ●             |               |  |  |  |
| 38   | 109.178 | 1297 304 154     | 81 32425 0075 | Engaging Ring                | 1    |      |       | ●             |               |  |  |  |
| 39   | 117.203 | 1295 304 012     | 81 32220 0056 | Bush D.60x75x38              | 1    |      | AB    | ●             |               |  |  |  |
| 39   | 117.318 | 1297 304 034     | 81 32220 0059 | Bush                         | 1    |      | AB    | ●             |               |  |  |  |
| 40   | 137.086 | 0750 115 059     | 81 93402 0088 | Needle Cage D.75x83x40       | 1    |      |       | ●             |               |  |  |  |
| 40   | 137.111 | 0735 320 486     | 81 93402 0074 | Needle Cage D.78x86x44       | 1    |      |       | ●             |               |  |  |  |

## Notes

- (1) Only for input Shaft 1295 221 001 (3) Only for input Shaft 1297 202 008  
 (4) To be coupled together with Fig. 9 - 0730 061 816  
 (5) To be coupled together with Fig. 9 - 0730 062 579  
 (6) Old Type having straight teeth. Use items marked (6) together.  
 (7) Only for models having MNV130 ( clutch PTO)

## Date

03 / 2006

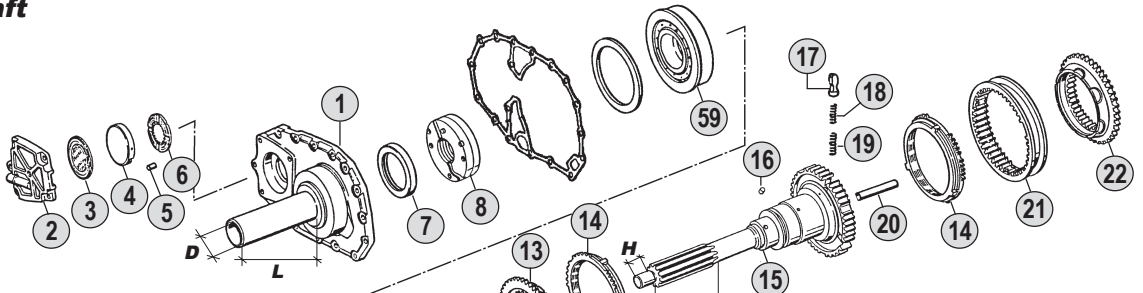
## Table

004 / A

Suitable To : **ZF**

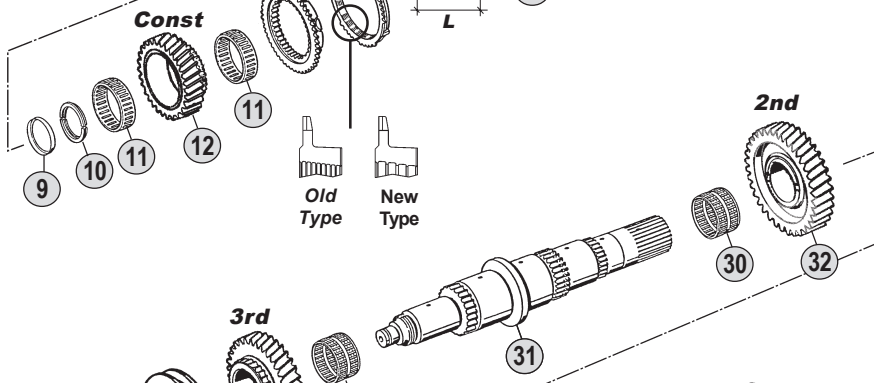
**16K130 - 16K160**

**Input Shaft**

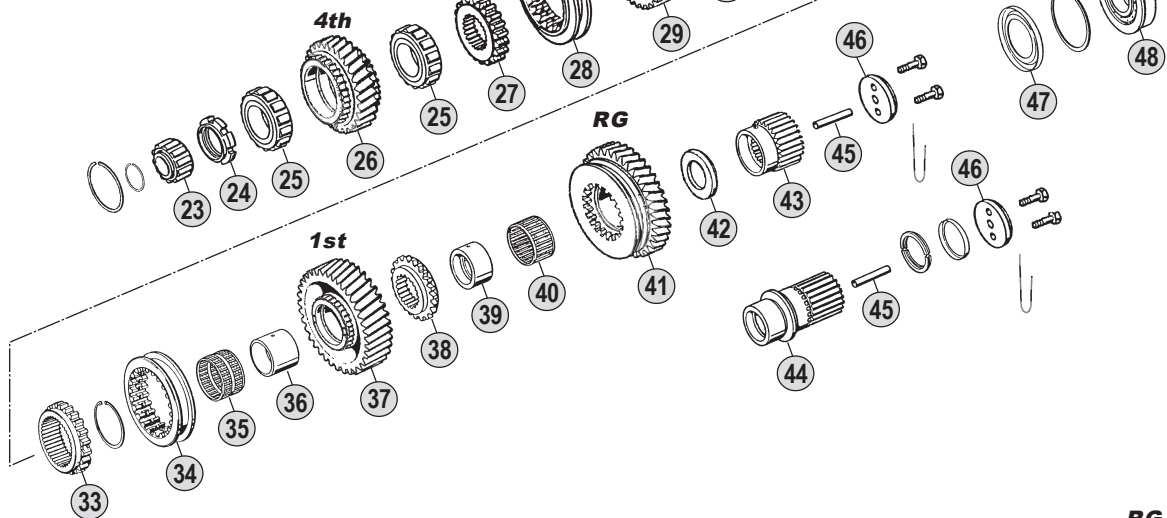


**Springs & Slides Kits**

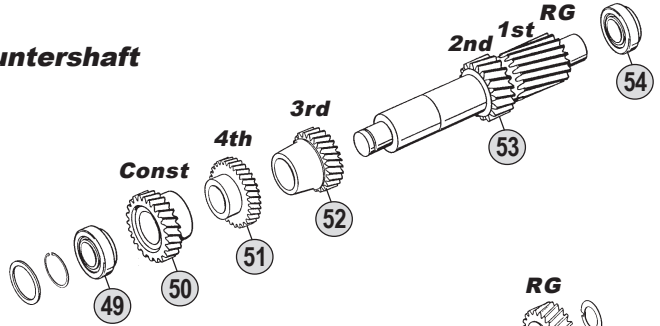
|               |               |               |
|---------------|---------------|---------------|
| x 3           | x 6           | x 9           |
| x 3           | x 6           | x 9           |
| x 3           | x 6           | x 9           |
| <b>Kit 60</b> | <b>Kit 61</b> | <b>Kit 62</b> |



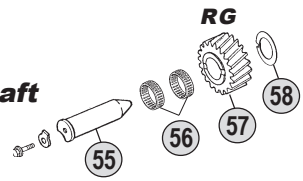
**Main Shaft**



**Countershaft**



**Reverse Shaft**



**Ratios**

|               |                 |                 |                 |       |       |
|---------------|-----------------|-----------------|-----------------|-------|-------|
| <b>16K130</b> | A: 11,46 - 0,85 | B: 13,68 - 1,00 | C: 14,29 - 0,82 | D: -- | E: -- |
| <b>16K160</b> | A: 11,46 - 0,85 | B: 13,68 - 1,00 | C: 14,29 - 0,82 | D: -- | E: -- |

All original equipment manufacturers' numbers, symbols, pictures and description used in this catalogue are for reference only, and it is not implied that any part listed is the product of these manufactures. Tutti i nostri particolari non sono originali ma con essi intercambiabili. I riferimenti originali, le figure, i modelli sono esposti a semplice titolo indicativo. La nostra produzione riporta il nostro marchio.

16K130 (1295)  
16K160 (1297)

| Fig. | CEI no.        | O.E.M. Reference |               | Description               | Q.ty | Note | Ratio |               |               |  |  |  |  |  |
|------|----------------|------------------|---------------|---------------------------|------|------|-------|---------------|---------------|--|--|--|--|--|
|      |                | ZF no.           | M.A.N. no.    |                           |      |      |       | 16K130 (1295) | 16K160 (1297) |  |  |  |  |  |
| 41   | 147.138        | 1295 304 201     | 81 32301 0494 | Reverse Gear 39 T         | 1    |      | AC    | ●             |               |  |  |  |  |  |
| 41   | 147.152        | 1295 304 115     | 81 32301 0438 | Reverse gear 39 T         | 1    | (6)  | A     | ●             |               |  |  |  |  |  |
| 41   | 147.093        | 1295 304 200     | 81 32301 0778 | Reverse Gear 38 T         | 1    |      | B     | ●             |               |  |  |  |  |  |
| 41   | <b>147.109</b> | 1297 304 149     | 81 32301 0499 | Reverse Gear 39 T         | 1    |      | AC    | ●             |               |  |  |  |  |  |
| 41   | <b>147.140</b> | 1297 304 148     |               | Reverse Gear 38 T         | 1    |      | B     | ●             |               |  |  |  |  |  |
| 42   |                | 1295 304 241     | 81 32312 0746 | Thrust Washer             | 1    |      | AB    | ●             |               |  |  |  |  |  |
| 42   |                | 1295 304 176     | 81 32312 0667 | Thrust Washer             | 1    | (6)  | A     | ●             |               |  |  |  |  |  |
| 42   | 169.758        | 1297 304 177     |               | Thrust Washer             | 1    |      | AB    | ●             |               |  |  |  |  |  |
| 43   | 157.211        | 1295 304 247     | 81 32301 0495 | Sun Gear 27 T             | 1    |      | AB    | ●             |               |  |  |  |  |  |
| 43   | <b>157.177</b> | 1297 304 187     | 81 32301 0466 | Sun Gear 27 T             | 1    |      | AB    | ●             |               |  |  |  |  |  |
| 44   | 157.207        | 1295 304 251     | 81 32301 0603 | Sun Gear 24 T             | 1    |      | C     | ●             |               |  |  |  |  |  |
| 44   | 157.206        | 1297 304 265     | 81 32301 0593 | Sun Gear 24 T             | 1    |      | C     | ●             |               |  |  |  |  |  |
| 45   |                | 0730 061 842     | 81 32562 0008 | Oil Tube                  | 1    |      |       | ●             | ●             |  |  |  |  |  |
| 46   | 188.076        | 1272 304 021     | 81 32312 0710 | Stop Washer               | 1    |      |       | ●             | ●             |  |  |  |  |  |
| 47   |                | 1295 304 129     | 81 32147 0008 | Oil Collector             | 1    |      | AB    | ●             | ●             |  |  |  |  |  |
| 47   |                | 1297 301 004     | 81 32312 0854 | Oil Collector             | 1    |      | C     | ●             | ●             |  |  |  |  |  |
| 48   | 130.240        | 0750 118 153     | 81 93420 0129 | Bearing D.60x130x31       | 1    |      | AB    | ●             | ●             |  |  |  |  |  |
| 48   |                | 0750 118 137     | 81 93420 0177 | Bearing D.80x140x26       | 1    |      | C     | ●             | ●             |  |  |  |  |  |
| 49   | <b>130.242</b> | 0750 117 010     | 81 93420 0132 | Bearing D.50,80x100x35    | 1    |      |       | ●             | ●             |  |  |  |  |  |
| 50   | 146.354        | 1295 303 036     | 81 32301 0430 | Constant Gear 31 T        | 1    |      | A     | ●             |               |  |  |  |  |  |
| 50   | <b>146.210</b> | 1295 303 101     | 81 32301 0696 | Constant Gear 34 T        | 1    |      | B     | ●             |               |  |  |  |  |  |
| 50   | 146.457        | 1295 303 060     | 81 32301 0600 | Constant Gear 32 T        | 1    |      | C     | ●             |               |  |  |  |  |  |
| 50   | <b>146.383</b> | 1297 303 074     | 81 32301 0460 | Constant Gear 31 T        | 1    |      | A     |               | ●             |  |  |  |  |  |
| 50   | <b>146.322</b> | 1297 303 066     | 81 32301 0565 | Constant Gear 34 T        | 1    |      | B     |               | ●             |  |  |  |  |  |
| 50   | <b>146.319</b> | 1297 303 098     | 81 32301 0590 | Constant Gear 32 T        | 1    |      | C     |               | ●             |  |  |  |  |  |
| 51   | 146.413        | 1295 303 028     | 81 32301 0431 | Gear 4th Speed 34 T       | 1    |      | A     | ●             |               |  |  |  |  |  |
| 51   | <b>146.209</b> | 1295 303 027     | 81 32301 0737 | Gear 4th Speed 31 T       | 1    |      | B     | ●             |               |  |  |  |  |  |
| 51   | 146.461        | 1295 303 094     | 81 32301 0598 | Gear 4th Speed 35 T       | 1    |      | C     | ●             |               |  |  |  |  |  |
| 51   | <b>146.382</b> | 1297 303 072     | 82 32301 0072 | Gear 4th Speed 34 T       | 1    |      | A     |               | ●             |  |  |  |  |  |
| 51   | <b>146.381</b> | 1297 303 065     | 81 32301 0564 | Gear 4th Speed 31 T       | 1    |      | B     |               | ●             |  |  |  |  |  |
| 51   | <b>146.447</b> | 1297 303 114     | 82 32301 0053 | Gear 4th Speed 39 T       | 1    |      | C     |               | ●             |  |  |  |  |  |
| 52   | 146.467        | 1295 303 005     | 81 32301 0439 | Gear 3rd Speed 28 T       | 1    |      | AC    | ●             |               |  |  |  |  |  |
| 52   | 146.468        | 1295 303 006     |               | Gear 3rd Speed 25 T       | 1    |      | B     | ●             |               |  |  |  |  |  |
| 52   | <b>146.446</b> | 1297 303 081     | 81 32301 0458 | Gear 3rd Speed 28 T       | 1    |      | AC    |               | ●             |  |  |  |  |  |
| 52   | <b>146.380</b> | 1297 303 077     | 81 32301 0572 | Gear 3rd Speed 25 T       | 1    |      | B     |               | ●             |  |  |  |  |  |
| 53   | 105.120        | 1295 303 056     | 81 32206 0051 | Countershaft 19-23 T      | 1    |      | AC    | ●             |               |  |  |  |  |  |
| 53   | 105.121        | 1295 303 042     | 81 32206 0049 | Countershaft 19-23 T      | 1    | (6)  | A     | ●             |               |  |  |  |  |  |
| 53   |                | 1295 303 089     |               | Countershaft 19-23 T      | 1    | (7)  | AC    | ●             |               |  |  |  |  |  |
| 53   | 105.122        | 1295 303 055     |               | Countershaft 17-20 T      | 1    |      | B     | ●             |               |  |  |  |  |  |
| 53   | <b>105.116</b> | 1297 303 048     | 81 32206 0053 | Countershaft 19-23 T      | 1    |      | AC    |               | ●             |  |  |  |  |  |
| 53   |                | 1297 303 070     |               | Countershaft 19-23 T      | 1    | (7)  | AC    |               | ●             |  |  |  |  |  |
| 53   | <b>105.091</b> | 1297 303 047     | 81 32206 0057 | Countershaft 17-20 T      | 1    |      | B     |               | ●             |  |  |  |  |  |
| 54   | <b>130.307</b> | 0750 117 011     | 81 93420 0134 | Bearing D.50,8x104,7x39,6 | 1    |      |       | ●             |               |  |  |  |  |  |
| 54   | 130.243        | 0750 117 008     | 81 93420 0131 | Bearing D.50x110x42       | 1    |      |       |               | ●             |  |  |  |  |  |
| 55   | 107.108        | 1295 305 056     | 81 32317 0032 | Reverse Gear Pin          | 1    |      |       | ●             | ●             |  |  |  |  |  |

## Notes

- (1) Only for input Shaft 1295 221 001 (3) Only for input Shaft 1297 202 008  
 (4) To be coupled together with Fig. 9 - 0730 061 816  
 (5) To be coupled together with Fig. 9 - 0730 062 579  
 (6) Old Type having straight teeth. Use items marked (6) together.  
 (7) Only for models having MNV130 ( clutch PTO)

## Date

03 / 2006

## Table

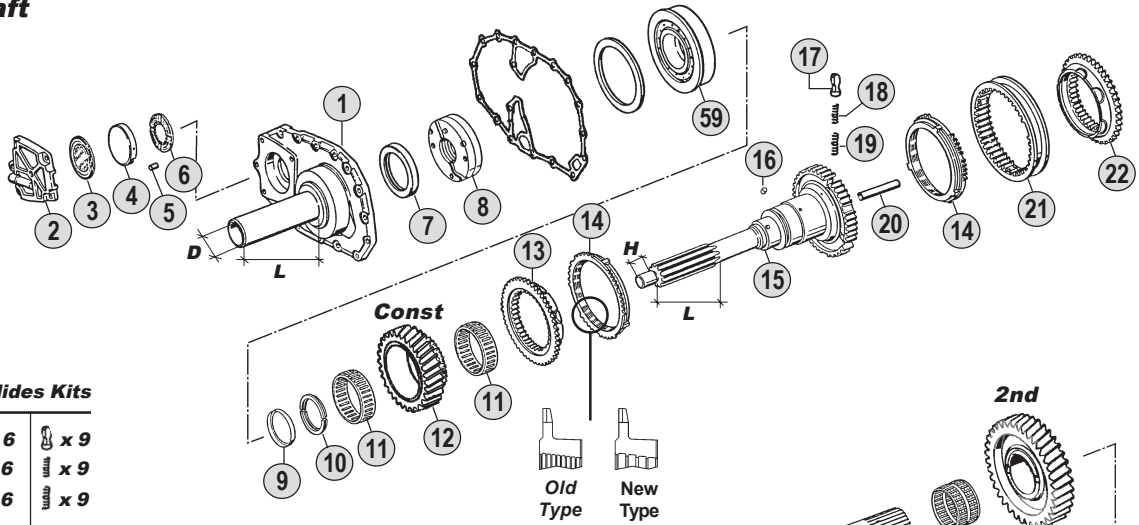
004 / A

All original equipment manufacturers numbers, symbols, pictures, models and description used in this catalogue are for reference only, and it is not implied that any part listed is the product of these manufactures.  
 Tutti i nostri particolari non sono originali ma con essi intercambiabili. I riferimenti originali, le figure, i modelli sono esposti a semplice titolo indicativo. La nostra produzione riporta il nostro marchio.

Suitable To : **ZF**

**16K130 - 16K160**

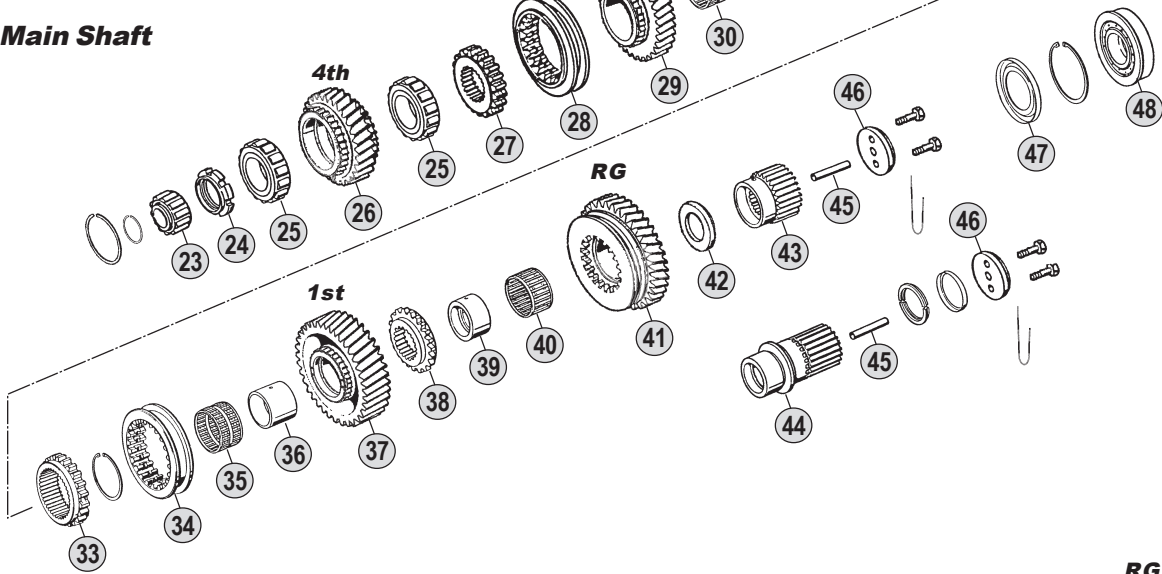
**Input Shaft**



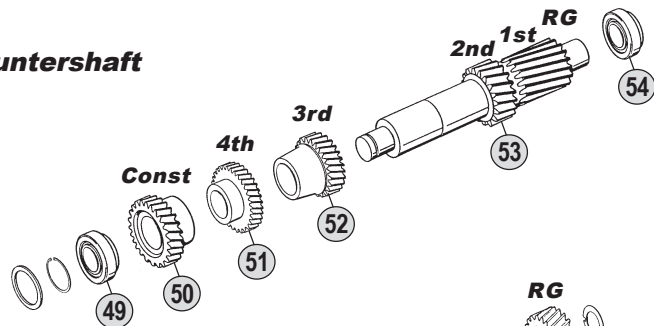
**Springs & Slides Kits**

|               |               |               |
|---------------|---------------|---------------|
| x 3           | x 6           | x 9           |
| x 3           | x 6           | x 9           |
| x 3           | x 6           | x 9           |
| <b>Kit 60</b> | <b>Kit 61</b> | <b>Kit 62</b> |

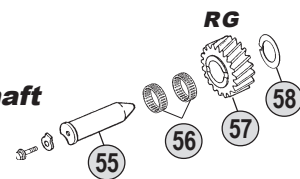
**Main Shaft**



**Countershaft**



**Reverse Shaft**



**Ratios**

|               |                 |                 |                 |       |       |
|---------------|-----------------|-----------------|-----------------|-------|-------|
| <b>16K130</b> | A: 11,46 - 0,85 | B: 13,68 - 1,00 | C: 14,29 - 0,82 | D: -- | E: -- |
| <b>16K160</b> | A: 11,46 - 0,85 | B: 13,68 - 1,00 | C: 14,29 - 0,82 | D: -- | E: -- |

All original equipment manufacturers' numbers, symbols, pictures and description used in this catalogue are for reference only, and it is not implied that any part listed is the product of these manufactures. Tutti i nostri particolari non sono originali ma con essi intercambiabili. I riferimenti originali, le figure, i modelli sono esposti a semplice titolo indicativo. La nostra produzione riporta il nostro marchio.

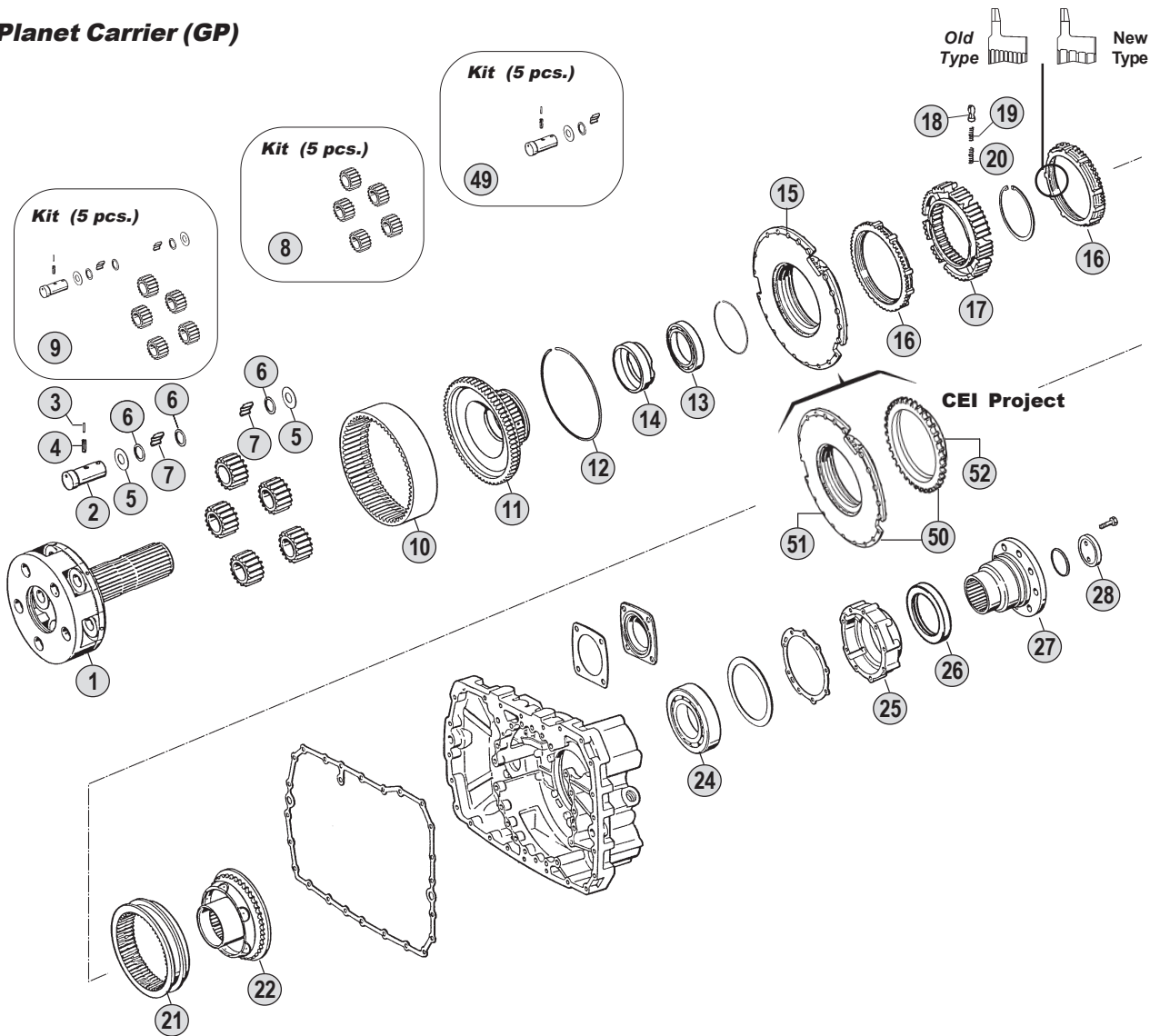




Suitable To : **ZF**

**16K130 - 16K160**

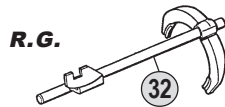
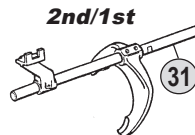
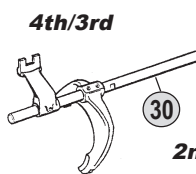
**Planet Carrier (GP)**



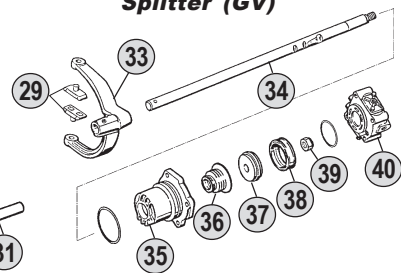
**Shifting Forks**

**Springs & Slide Kits**

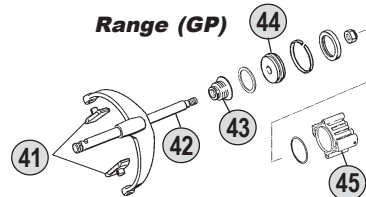
|               |               |               |
|---------------|---------------|---------------|
| x 3           | x 6           | x 9           |
| x 3           | x 6           | x 9           |
| x 3           | x 6           | x 9           |
| <b>Kit 46</b> | <b>Kit 47</b> | <b>Kit 48</b> |



**Splitter (GV)**



**Range (GP)**



**Ratios**

|               |                 |                 |                 |       |       |
|---------------|-----------------|-----------------|-----------------|-------|-------|
| <b>16K130</b> | A: 11,46 - 0,85 | B: 13,68 - 1,00 | C: 14,29 - 0,82 | D: -- | E: -- |
| <b>16K160</b> | A: 11,46 - 0,85 | B: 13,68 - 1,00 | C: 14,29 - 0,82 | D: -- | E: -- |

All original equipment manufacturers' numbers, symbols, pictures, models and description used in this catalogue are for reference only, and it is not implied that any part listed is the product of these manufactures. Tutti i nostri particolari non sono originali ma con essi intercambiabili. I riferimenti originali, le figure, i modelli sono esposti a semplice titolo indicativo. La nostra produzione riporta il nostro marchio.

16K130 (1295)  
16K160 (1297)

ECO I

From 16K130  
To 16K160

| Fig. | CEI no.        | O.E.M. Reference |               | Description                     | Q.ty | Note     | Ratio |               |               |  |  |  |  |  |
|------|----------------|------------------|---------------|---------------------------------|------|----------|-------|---------------|---------------|--|--|--|--|--|
|      |                | ZF no.           | M.A.N. no.    |                                 |      |          |       | 16K130 (1295) | 16K160 (1297) |  |  |  |  |  |
| 1    | 190.169        | 1295 232 044     | 81 32403 0078 | Planetary Carrier               | 1    |          | AB    | ●             |               |  |  |  |  |  |
| 1    |                | 1295 232 045     | 81 32403 0088 | Planetary Carrier               | 1    |          | C     | ●             |               |  |  |  |  |  |
| 1    | <b>190.396</b> | 1297 232 039     | 81 32403 0066 | Planetary Carrier               | 1    |          | AB    |               | ●             |  |  |  |  |  |
| 1    | 190.395        | 1297 232 045     | 81 32403 0079 | Planetary Carrier               | 1    |          | C     |               | ●             |  |  |  |  |  |
| 2    | 107.089        | 1269 332 036     | 81 32523 0086 | Planet Shaft                    | 5    |          |       | ●             |               |  |  |  |  |  |
| 2    | <b>107.163</b> | 1297 332 109     | 81 32523 0111 | Planet Shaft                    | 5    |          |       |               | ●             |  |  |  |  |  |
| 3    | <b>160.191</b> | 0631 329 017     | 06 22120 0512 | Lock Pin D.3x24                 | 5    |          |       | ●             | ●             |  |  |  |  |  |
| 4    | <b>160.192</b> | 0631 329 050     | 06 22120 0912 | Lock Pin D.5x24                 | 5    |          |       | ●             | ●             |  |  |  |  |  |
| 5    | 169.408        | 0501 305 887     | 81 90712 0494 | Thrust Washer D.29x57,50x1,50   | 10   |          |       | ●             |               |  |  |  |  |  |
| 5    | <b>169.753</b> | 0501 306 212     | 81 32312 0707 | Thrust Washer D.29x64x1,5       | 10   |          |       |               | ●             |  |  |  |  |  |
| 6    | <b>169.410</b> | 0730 103 846     | 81 90712 0495 | Spacer Ring D.29x39x1,00        | 15   |          |       | ●             | ●             |  |  |  |  |  |
| 7    | <b>171.016</b> | 0735 470 057     | 81 93403 0010 | Roller Set D.6x14,75 (180 pcs)  | 180  |          |       | ●             |               |  |  |  |  |  |
| 7    | <b>171.045</b> | 0750 119 109     | 81 32528 0014 | Roller Set D.10x16,80 (120 pcs) | 120  |          |       |               | ●             |  |  |  |  |  |
| 8    | 198.357        | 1295 232 027     | 81 32301 6002 | Planetary Gear Set (5 pcs)      | 1    |          | AB    | ●             |               |  |  |  |  |  |
| 8    | 198.437        | 1295 232 038     | 81 32301 6008 | Planetary Gear Set (5 pcs)      | 1    |          | C     | ●             |               |  |  |  |  |  |
| 8    | <b>198.803</b> | 1297 232 023     | 81 32301 6003 | Planetary Gear Set (5 pcs)      | 1    |          | AB    |               | ●             |  |  |  |  |  |
| 8    | <b>198.810</b> | 1297 232 024     | 81 32301 6007 | Planetary Gear Set (5 pcs)      | 1    |          | C     |               | ●             |  |  |  |  |  |
| 9    | 198.562        | 1296 298 904     |               | Planetary Gear Set              | 1    |          | AB    | ●             |               |  |  |  |  |  |
| 9    | <b>198.704</b> | 1297 298 912     |               | Planetary Gear Set              | 1    |          | AB    |               | ●             |  |  |  |  |  |
| 9    |                | 1297 298 919     |               | Planetary Gear Set              | 1    |          | C     |               | ●             |  |  |  |  |  |
| 10   | 123.162        | 1295 332 053     | 81 32301 0444 | Crown Gear 83 T                 | 1    |          | AB    | ●             |               |  |  |  |  |  |
| 10   | <b>123.208</b> | 1295 332 086     | 81 32301 0604 | Crown Gear 86 T                 | 1    |          | C     | ●             |               |  |  |  |  |  |
| 10   | <b>123.217</b> | 1297 332 080     | 81 32301 0691 | Crown Gear 83 T                 | 1    |          | AB    |               | ●             |  |  |  |  |  |
| 10   | <b>123.208</b> | 1295 332 086     | 81 32301 0604 | Crown Gear 86 T                 | 1    |          | C     |               | ●             |  |  |  |  |  |
| 11   | 150.112        | 1295 332 021     | 81 32403 0052 | Flange Gear 83 T                | 1    |          | AB    | ●             |               |  |  |  |  |  |
| 11   | 150.142        | 1295 332 084     | 81 32403 0073 | Flange Gear 86 T                | 1    |          | C     | ●             |               |  |  |  |  |  |
| 11   | <b>150.138</b> | 1297 332 017     | 81 32403 0057 | Flange Gear 83 T                | 1    |          | AB    |               | ●             |  |  |  |  |  |
| 11   | <b>150.137</b> | 1297 332 035     | 81 32403 0070 | Flange Gear 86 T                | 1    |          | C     |               | ●             |  |  |  |  |  |
| 12   | 111.129        | 0730 505 055     | 81 90820 0284 | Locking Wire                    | 1    |          | AB    | ●             | ●             |  |  |  |  |  |
| 12   | 111.198        | 0730 505 056     | 81 90820 0371 | Locking Wire                    | 1    |          | C     | ●             | ●             |  |  |  |  |  |
| 13   | 130.244        | 0750 116 166     | 06 31429 0075 | Bearing D.75x105x16             | 1    |          |       | ●             |               |  |  |  |  |  |
| 13   | 130.310        | 0750 116 165     | 81 93410 0083 | Bearing D.80x110x16             | 1    |          |       |               | ●             |  |  |  |  |  |
| 14   |                | 1297 332 002     | 81 32312 0708 | Ring                            | 1    |          |       |               | ●             |  |  |  |  |  |
| 15   | <b>198.358</b> | 1296 233 006     | 81 32425 0073 | Synchronizer Cone               | 1    |          |       | ●             | ●             |  |  |  |  |  |
| 16   | <b>119.085</b> | 1296 333 022     | 81 32420 0096 | Synchronizer ring               | 2    | Old Type |       | ●             | ●             |  |  |  |  |  |
| 16   | <b>119.172</b> | 1296 333 045     | 81 32420 0236 | Synchronizer ring               | 2    | New Type |       | ●             | ●             |  |  |  |  |  |
| 17   | <b>157.113</b> | 1296 333 002     | 81 32420 0095 | Synchronizer Hub                | 1    |          |       | ●             | ●             |  |  |  |  |  |
| 18   | <b>160.116</b> | 1240 304 278     | 81 32510 0005 | Pressure piece                  | 9    |          |       | ●             | ●             |  |  |  |  |  |
| 19   | <b>156.036</b> | 0732 040 386     | 81 97601 0758 | Inner Spring De.3x34            | 9    |          |       | ●             | ●             |  |  |  |  |  |
| 20   | <b>156.037</b> | 0732 040 385     | 81 97601 0757 | Outer Spring De.6x34            | 9    |          |       | ●             | ●             |  |  |  |  |  |
| 21   | <b>154.098</b> | 1296 333 023     | 81 32402 0111 | Sliding Sleeve                  | 1    |          |       | ●             | ●             |  |  |  |  |  |
| 22   | <b>198.359</b> | 1295 233 025     | 81 32425 0074 | Synchronizer Cone (36 Spl.)     | 1    |          |       | ●             |               |  |  |  |  |  |
| 22   | <b>198.374</b> | 1313 233 001     | 81 32425 0083 | Synchronizer Cone (38 Spl.)     | 1    |          |       |               | ●             |  |  |  |  |  |
| 24   | 130.245        | 0750 116 002     | 81 93410 0046 | Bearing D.90x160x30             | 1    |          |       | ●             | ●             |  |  |  |  |  |
| 25   |                | 1296 301 067     | 81 32106 0072 | Cover                           | 1    |          |       | ●             | ●             |  |  |  |  |  |

Notes

Date

03 / 2006

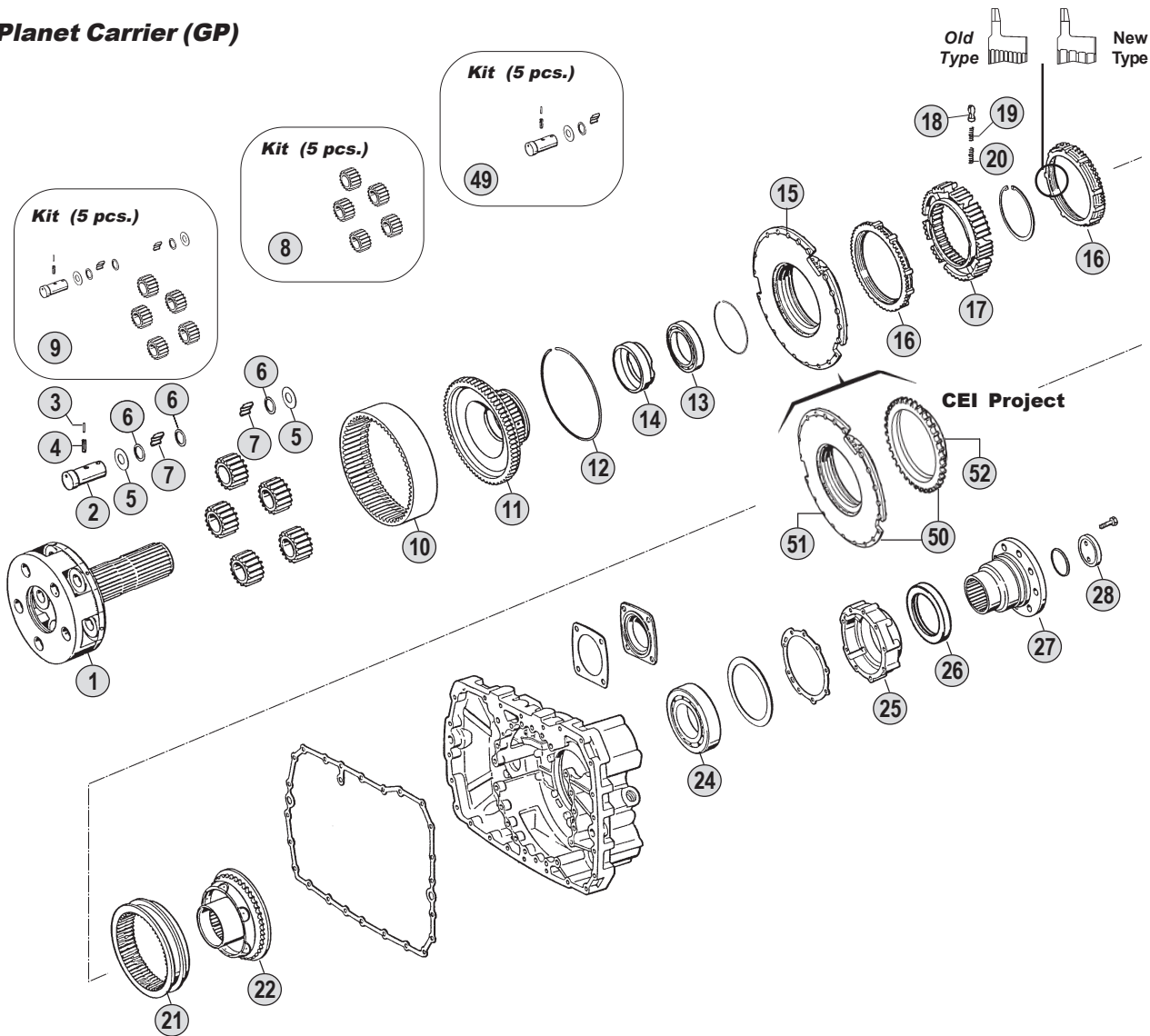
Table

004 / B

Suitable To : **ZF**

**16K130 - 16K160**

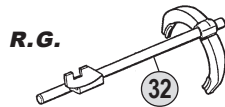
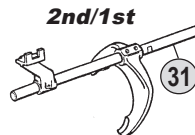
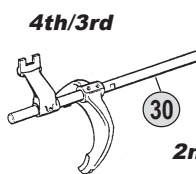
**Planet Carrier (GP)**



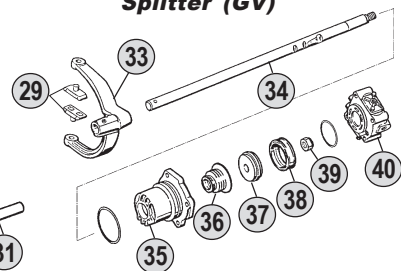
**Shifting Forks**

**Springs & Slide Kits**

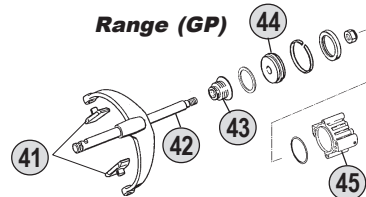
|               |               |               |
|---------------|---------------|---------------|
| x 3           | x 6           | x 9           |
| x 3           | x 6           | x 9           |
| x 3           | x 6           | x 9           |
| <b>Kit 46</b> | <b>Kit 47</b> | <b>Kit 48</b> |



**Splitter (GV)**



**Range (GP)**



**Ratios**

|               |                 |                 |                 |       |       |
|---------------|-----------------|-----------------|-----------------|-------|-------|
| <b>16K130</b> | A: 11,46 - 0,85 | B: 13,68 - 1,00 | C: 14,29 - 0,82 | D: -- | E: -- |
| <b>16K160</b> | A: 11,46 - 0,85 | B: 13,68 - 1,00 | C: 14,29 - 0,82 | D: -- | E: -- |

All original equipment manufacturers' numbers, symbols, pictures, models and description used in this catalogue are for reference only, and it is not implied that any part listed is the product of these manufactures. Tutti i nostri particolari non sono originali ma con essi intercambiabili. I riferimenti originali, le figure, i modelli sono esposti a semplice titolo indicativo. La nostra produzione riporta il nostro marchio.

16K130 (1295)  
16K160 (1297)

| Fig. | CEI no. | O.E.M. Reference |               | Description             | Q.ty | Note              | Ratio |               |               |  |  |  |  |
|------|---------|------------------|---------------|-------------------------|------|-------------------|-------|---------------|---------------|--|--|--|--|
|      |         | ZF no.           | M.A.N. no.    |                         |      |                   |       | 16K130 (1295) | 16K160 (1297) |  |  |  |  |
| 25   | 128.098 | 1315 301 220     | 81 32106 0152 | Cover                   | 1    |                   |       | ●             |               |  |  |  |  |
| 26   |         | 0750 111 341     | 81 96503 0236 | Oil Seal 105x130x12     | 1    |                   |       | ●             | ●             |  |  |  |  |
| 27   |         | 1295 338 061     | 81 39115 0215 | Output Flange           | 1    | D.180- 4 Holes    |       | ●             |               |  |  |  |  |
| 27   | 197.051 | 1295 338 014     | 81 39115 0171 | Output Flange           | 1    | D.180-10 Holes    |       | ●             |               |  |  |  |  |
| 27   |         | 1297 338 041     | 81 39115 0224 | Output Flange           | 1    | D.180-4 Holes     |       |               | ●             |  |  |  |  |
| 27   |         | 1297 338 010     | 81 39115 0178 | Output Flange           | 1    | D.180-10 Holes    |       |               | ●             |  |  |  |  |
| 28   | 188.077 | 1295 332 051     | 81 32312 0820 | Stop Washer             | 1    |                   |       | ●             | ●             |  |  |  |  |
| 29   | 141.068 | 1295 306 132     | 81 32526 0029 | Bronze Slide            | 2    |                   |       | ●             | ●             |  |  |  |  |
| 30   |         | 1295 206 184     | 81 32518 6034 | Fork                    | 1    |                   |       | ●             |               |  |  |  |  |
| 30   |         | 1295 206 189     | 81 32518 6021 | Fork                    | 1    |                   |       | ●             |               |  |  |  |  |
| 30   |         | 1297 206 077     | 81 32518 0128 | Fork                    | 1    |                   |       |               | ●             |  |  |  |  |
| 30   |         | 1297 206 083     |               | Fork                    | 1    |                   |       |               | ●             |  |  |  |  |
| 31   |         | 1295 206 182     |               | Fork                    | 1    |                   |       | ●             |               |  |  |  |  |
| 31   |         | 1295 206 188     | 81 32518 6020 | Fork                    | 1    |                   |       | ●             |               |  |  |  |  |
| 31   |         | 1297 206 076     | 81 32518 0129 | Fork                    | 1    |                   |       |               | ●             |  |  |  |  |
| 31   |         | 1297 206 082     |               | Fork                    | 1    |                   |       |               | ●             |  |  |  |  |
| 32   |         | 1295 206 252     |               | Fork                    | 1    |                   |       | ●             |               |  |  |  |  |
| 32   |         | 1295 206 253     | 81 32518 6040 | Fork                    | 1    |                   |       | ●             |               |  |  |  |  |
| 32   |         | 1297 206 172     |               | Fork                    | 1    |                   |       |               | ●             |  |  |  |  |
| 32   |         | 1297 206 173     |               | Fork                    | 1    |                   |       |               | ●             |  |  |  |  |
| 32   |         | 1297 206 184     | 81 32518 6013 | Fork                    | 1    |                   |       |               | ●             |  |  |  |  |
| 33   |         | 1313 312 002     | 81 32516 0119 | Fork                    | 1    |                   |       | ●             | ●             |  |  |  |  |
| 34   |         | 1295 312 017     | 81 32518 0110 | Rod                     | 1    |                   |       | ●             |               |  |  |  |  |
| 34   |         | 1297 312 007     | 81 32518 0115 | Rod                     | 1    |                   |       |               | ●             |  |  |  |  |
| 35   | 132.046 | 1296 312 042     | 81 32638 0005 | Cylinder                | 1    |                   |       | ●             | ●             |  |  |  |  |
| 36   | 139.331 | 0750 112 034     | 81 96401 0148 | Cap Collar D.25x38x14,2 | 1    |                   |       | ●             | ●             |  |  |  |  |
| 37   | 189.421 | 1296 312 053     | 81 32639 0014 | Piston                  | 1    |                   |       | ●             | ●             |  |  |  |  |
| 38   |         | 0750 112 089     | 81 96503 0019 | Ring 53x63x16,2         | 1    |                   |       | ●             | ●             |  |  |  |  |
| 39   |         | 0737 006 095     | 81 90501 0188 | Nut                     | 1    |                   |       | ●             | ●             |  |  |  |  |
| 40   |         | 0750 132 032     | 81 52170 6091 | Cylinder                | 1    |                   |       | ●             | ●             |  |  |  |  |
| 40   | 280.350 | 1295 212 008     | 81 52170 6067 | Cylinder                | 1    |                   |       | ●             | ●             |  |  |  |  |
| 40   |         | 0750 132 033     | 81 52170 6095 | Cylinder                | 1    |                   |       |               | ●             |  |  |  |  |
| 41   | 141.085 | 1296 334 004     | 81 32526 0026 | Bronze Slide            | 2    |                   |       | ●             | ●             |  |  |  |  |
| 42   |         | 1313 234 011     | 81 32518 0190 | Fork                    | 1    |                   |       | ●             |               |  |  |  |  |
| 42   | 149.171 | 1312 234 002     | 81 32518 6042 | Fork Lever              | 1    |                   |       |               | ●             |  |  |  |  |
| 43   | 139.331 | 0750 112 034     | 81 96401 0148 | Cap Collar D.25x38x14,2 | 1    |                   |       | ●             | ●             |  |  |  |  |
| 44   | 189.422 | 1296 334 039     | 81 32639 0019 | Piston                  | 1    |                   |       | ●             | ●             |  |  |  |  |
| 45   | 132.047 | 1295 334 075     | 81 32638 0006 | Cylinder                | 1    |                   |       | ●             | ●             |  |  |  |  |
| 46   | 198.339 | 1268 298 938     |               | Spring Slide Set        | 1    |                   |       | ●             | ●             |  |  |  |  |
| 47   | 198.564 | CEI 198564       |               | Spring Slide Set        | 1    |                   |       | ●             | ●             |  |  |  |  |
| 48   | 198.842 | 1295 298 933     |               | Spring Slide Set        | 1    |                   |       | ●             | ●             |  |  |  |  |
| 49   | 198.447 | CEI 198447       |               | Gear Set                | 1    |                   |       | ●             |               |  |  |  |  |
| 50   | 198.856 | CEI 198856       |               | Synchronizer cone kit   | 1    | Can repl. fig. 15 |       | ●             | ●             |  |  |  |  |
| 51   | 135.128 | CEI 135128       |               | Saddle Plate            | 1    | Use with fig. 52  |       | ●             | ●             |  |  |  |  |
| 52   | 109.174 | 1296 333 050     | 81 32425 0141 | Synchronizer Cone       | 1    | Use with fig. 51  |       | ●             | ●             |  |  |  |  |

Notes

Date

03 / 2006

Table

004 / B

All original equipment manufacturers numbers, symbols, pictures, models and description used in this catalogue are for reference only, and it is not implied that any part listed is the product of these manufactures.  
Tutti i nostri particolari non sono originali ma con essi intercambiabili. I riferimenti originali, le figure, i modelli sono esposti a semplice titolo indicativo. La nostra produzione riporta il nostro marchio.



suitable to :

**Z.F.****EcoSplit I****From 16S112 to 16S190****Application**

|                 | <b>16S112</b> | <b>16S130</b> | <b>16S160</b> | <b>16S190</b> |
|-----------------|---------------|---------------|---------------|---------------|
|                 | <b>(1296)</b> | <b>(1295)</b> | <b>(1297)</b> | <b>(1297)</b> |
| <b>MERCEDES</b> |               |               |               |               |
| <b>M.A.N.</b>   |               |               |               |               |
| <b>IVECO</b>    |               |               |               |               |
| <b>R.V.I.</b>   |               |               |               |               |
| <b>DAF</b>      |               |               |               |               |
| <b>VOLVO</b>    |               |               |               |               |

**Ratios**

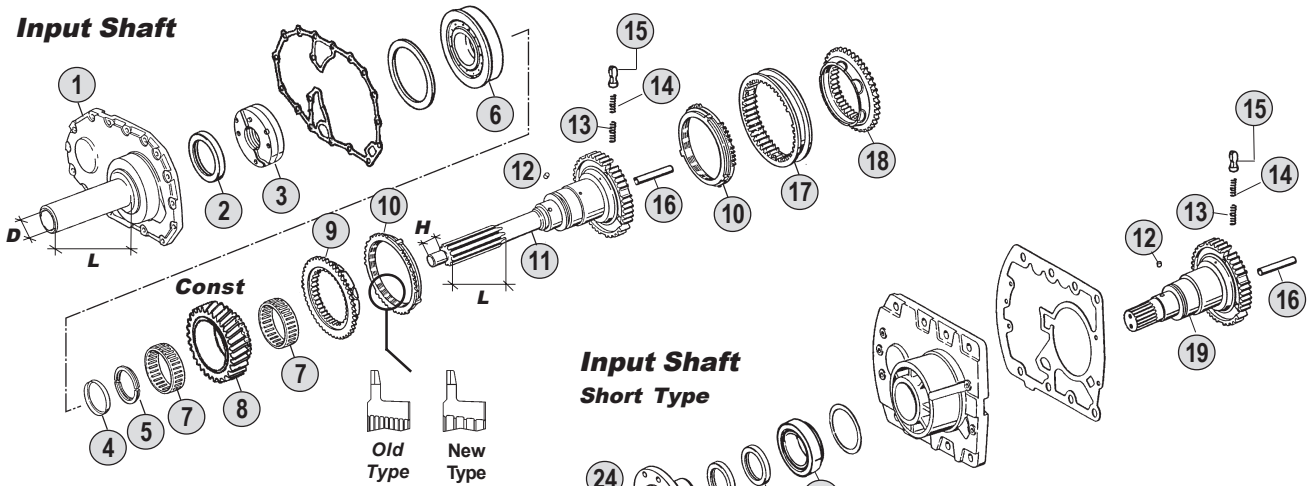
|               | <b>R.10,14-0,72</b> | <b>R.11,46-0,85</b> | <b>R.13,68-1,00</b> | <b>R.14,29-0,82</b> | <b>R.17,06-1,00</b> |
|---------------|---------------------|---------------------|---------------------|---------------------|---------------------|
|               | <b>A</b>            | <b>B</b>            | <b>C</b>            | <b>D</b>            | <b>E</b>            |
| <b>16S112</b> |                     |                     |                     |                     |                     |
| <b>16S130</b> |                     |                     |                     |                     |                     |
| <b>16S160</b> |                     |                     |                     |                     |                     |
| <b>16S190</b> |                     |                     |                     |                     |                     |

**ECO I**From 16S130  
To 16S190

Suitable To : **ZF**

**16S130 - 16S160 - 16S190**

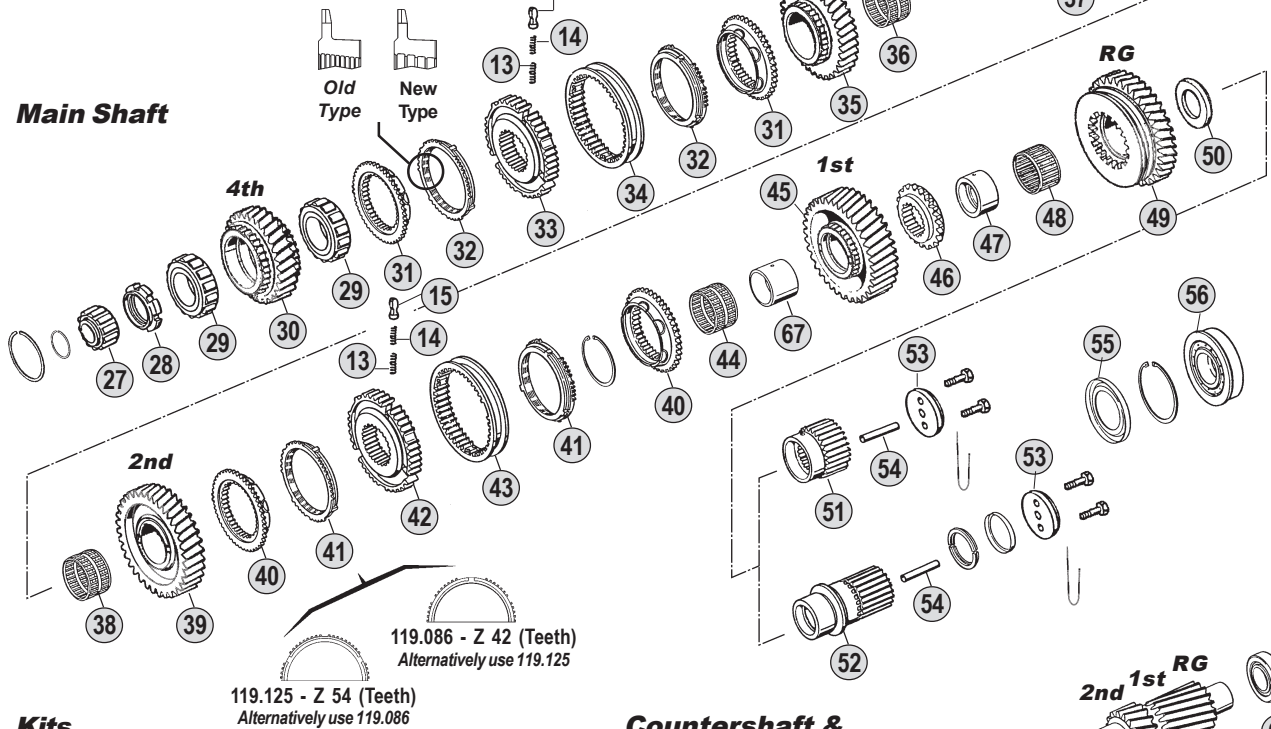
**Input Shaft**



**Springs & Slides Kits**

|               |               |               |
|---------------|---------------|---------------|
| x 3           | x 6           | x 9           |
| x 3           | x 6           | x 9           |
| x 3           | x 6           | x 9           |
| <b>Kit 68</b> | <b>Kit 69</b> | <b>Kit 70</b> |

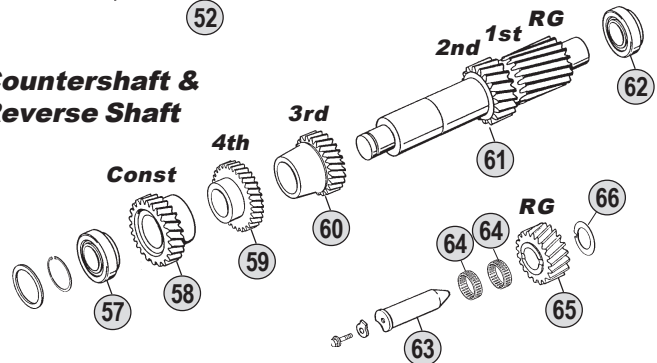
**Main Shaft**



**Kits**



**Countershaft & Reverse Shaft**



**Ratios**

|               |                  |                  |                  |                  |                  |
|---------------|------------------|------------------|------------------|------------------|------------------|
| <b>16S130</b> | A : 10,14 - 0,72 | B : 11,46 - 0,85 | C : 13,68 - 1,00 | D : 14,29 - 0,82 | E : --           |
| <b>16S160</b> | A : --           | B : 11,46 - 0,85 | C : 13,68 - 1,00 | D : 14,29 - 0,82 | E : 17,06 - 1,00 |
| <b>16S190</b> | A : --           | B : 11,46 - 0,85 | C : 13,68 - 1,00 | D : 14,29 - 0,82 | E : 17,06 - 1,00 |

All original equipment manufacturers' numbers, symbols, pictures, models and description used in this catalogue are for reference only, and it is not implied that any part listed is the product of these manufactures. Tutti i nostri particolari non sono originali ma con essi intercambiabili. I riferimenti originali, le figure, i modelli sono esposti a semplice titolo indicativo. La nostra produzione riporta il nostro marchio.

16S130 (1286)  
16S160 (1297)  
16S190 (1297)

| Fig. | CEI no.        | O.E.M. Reference |               | Description               | Q.ty | Note                | Ratio |   |   |   |  |  |  |
|------|----------------|------------------|---------------|---------------------------|------|---------------------|-------|---|---|---|--|--|--|
|      |                | ZF no.           | M.A.N. no.    |                           |      |                     |       |   |   |   |  |  |  |
| 1    |                | 1297 302 013     | 81 32522 0025 | Front Cover               | 1    | L=170-D=57          |       | ● | ● | ● |  |  |  |
| 1    |                | 1297 302 042     | 81 32522 0047 | Front Cover               | 1    | L=170-D=60          |       | ● | ● | ● |  |  |  |
| 1    |                | 1297 302 239     | 81 32522 0036 | Front Cover               | 1    | L=147-D=60          |       | ● | ● | ● |  |  |  |
| 2    |                | 0750 111 002     | 81 96502 0225 | Oil Seal 48x75x8          | 1    |                     |       | ● | ● | ● |  |  |  |
| 2    |                | 0634 310 733     |               | Oil Seal 90x110x13        | 1    | (1)                 |       | ● | ● |   |  |  |  |
| 2    | 139.754        | 0734 310 386     | 81 96503 0342 | Oil Seal 55x75x8          | 1    | (5)                 |       | ● | ● | ● |  |  |  |
| 3    | <b>280.348</b> | 1295 202 041     | 81 32563 0005 | Oil Pump                  | 1    |                     |       | ● | ● | ● |  |  |  |
| 4    | 169.754        | 0730 061 816     | 81 90820 0141 | Securing Ring             | 1    |                     |       | ● | ● | ● |  |  |  |
| 4    | 169.755        | 0730 062 579     | 81 90820 0370 | Securing Ring             | 1    | S.4,20 mm           |       | ● | ● | ● |  |  |  |
| 5    |                | 0730 103 244     | 81 32521 0062 | Split Ring T.4,30 mm      | 1    | S.4,30 mm (2)       |       | ● | ● | ● |  |  |  |
| 5    |                | 0730 103 935     | 81 32521 0107 | Split Ring T.3,80 mm      | 1    | S.3,80 mm (2)       |       | ● | ● | ● |  |  |  |
| 5    |                | 0730 105 156     | 81 32521 0122 | Split Ring T.4,00 mm      | 1    | S.4,00 mm (3)       |       | ● | ● | ● |  |  |  |
| 6    | 130.305        | 0750 118 131     | 81 93420 0190 | Bearing D.80x150x27,50    | 1    |                     |       | ● | ● | ● |  |  |  |
| 7    | <b>137.082</b> | 0735 320 786     | 81 93402 0067 | Needle Cage D.88x96x24,50 | 2    |                     |       | ● |   |   |  |  |  |
| 7    | <b>137.153</b> | 0735 320 896     | 81 93402 0102 | Needle Cage D.88x96x29    | 2    |                     |       |   | ● | ● |  |  |  |
| 8    | <b>145.276</b> | 1295 302 071     | 81 32301 0585 | Constant Gear 28 T        | 1    |                     | AC    | ● |   |   |  |  |  |
| 8    | 145.489        | 1295 302 070     | 81 32301 0428 | Constant Gear 30 T        | 1    |                     | B     | ● |   |   |  |  |  |
| 8    | 145.541        | 1295 302 122     | 81 32301 0599 | Constant Gear 29 T        | 1    |                     | D     | ● |   |   |  |  |  |
| 8    | <b>145.466</b> | 1297 302 177     | 82 32301 0070 | Constant Gear 30 T        | 1    |                     | B     |   | ● | ● |  |  |  |
| 8    | <b>145.406</b> | 1297 302 176     | 81 32301 0563 | Constant Gear 28 T        | 1    |                     | C     |   | ● | ● |  |  |  |
| 8    | <b>145.405</b> | 1297 302 250     | 81 32301 0589 | Constant Gear 29 T        | 1    |                     | D     |   | ● | ● |  |  |  |
| 8    | <b>145.407</b> | 1297 302 241     |               | Constant Gear 26 T        | 1    |                     | E     |   | ● | ● |  |  |  |
| 9    | <b>109.072</b> | 1295 304 278     | 81 32425 0071 | Synchronizer Cone         | 1    |                     |       | ● | ● | ● |  |  |  |
| 10   | <b>119.084</b> | 1295 304 004     | 81 32420 0081 | Synchronizer Ring         | 2    | Old Type            |       | ● | ● | ● |  |  |  |
| 10   | <b>119.175</b> | 1304 304 686     |               | Synchronizer Ring         | 2    | New Type            |       | ● | ● | ● |  |  |  |
| 11   | 102.230        | 1295 202 004     |               | Input Shaft               | 1    | L=115H=32           |       | ● |   |   |  |  |  |
| 11   | 102.232        | 1295 202 007     | 81 32205 0147 | Input Shaft               | 1    | L=115H=25           |       | ● |   |   |  |  |  |
| 11   | 102.254        | 1295 202 039     | 81 32205 0175 | Input Shaft               | 1    |                     |       | ● |   |   |  |  |  |
| 11   |                | 1295 221 001     | 81 32205 0173 | Input Shaft               | 1    | NMV130 (Clutch PTO) |       | ● |   |   |  |  |  |
| 11   | 102.247        | 1297 202 008     | 81 32205 0149 | Input Shaft               | 1    | L=115H=25           |       |   | ● |   |  |  |  |
| 11   | 102.235        | 1297 202 011     | 81 32205 0176 | Input Shaft               | 1    | L=115H=32           |       |   | ● | ● |  |  |  |
| 11   |                | 1297 202 045     | 81 32205 0212 | Input Shaft               | 1    |                     |       |   | ● | ● |  |  |  |
| 11   |                | 1297 202 061     | 81 32205 0194 | Input Shaft               | 1    |                     |       |   | ● | ● |  |  |  |
| 11   |                | 1297 221 006     |               | Input Shaft               | 1    | NMV130 (Clutch PTO) |       |   | ● |   |  |  |  |
| 11   |                | 1297 221 008     |               | Input Shaft               | 1    | NMV130 (Clutch PTO) |       |   | ● |   |  |  |  |
| 11   |                | 1297 221 010     |               | Input Shaft               | 1    | NMV130 (Clutch PTO) |       |   | ● |   |  |  |  |
| 12   |                | 0635 470 012     | 06 32540 0118 | Pin                       | 1    |                     |       | ● | ● | ● |  |  |  |
| 13   | <b>156.037</b> | 0732 040 385     | 81 97601 0757 | Outer Spring De.6x34      | 3    |                     |       | ● | ● | ● |  |  |  |
| 14   | <b>156.036</b> | 0732 040 386     | 81 97601 0758 | Inner Spring De.3x34      | 3    |                     |       | ● | ● | ● |  |  |  |
| 15   | <b>160.116</b> | 1240 304 278     | 81 32510 0005 | Pressure piece            | 3    |                     |       | ● | ● | ● |  |  |  |
| 16   | 188.208        | 0730 062 323     |               | Oil Tube                  | 1    |                     |       | ● | ● | ● |  |  |  |
| 17   | <b>154.097</b> | 1295 304 002     | 81 32402 0101 | Sliding Sleeve            | 1    |                     |       | ● | ● | ● |  |  |  |
| 18   | <b>109.072</b> | 1295 304 278     | 81 32425 0071 | Synchronizer Cone         | 1    |                     |       | ● | ● | ● |  |  |  |
| 19   | <b>102.237</b> | 1297 202 044     | 81 32205 0187 | Input Shaft               | 1    |                     |       |   | ● |   |  |  |  |
| 20   |                | 0750 117 651     | 81 93420 0222 | Bearing 50x90x24,7        | 1    |                     |       | ● |   |   |  |  |  |

ECO I

From 16S130  
To 16S190

## Notes

- (1) Only for input Shaft 1295 221 001 - 1297 221 006/008/010
- (2) To be coupled together with Fig. 4 - 0730 061 816
- (3) To be coupled together with Fig. 4 - 0730 062 579
- (5) Only for input Shaft 1295 202 039 - 1297 202 011/045/061
- (6) Old Type. Old Syncro Ring Ø 175.5 mm ( Z 57 or 30)
- Standard Syncro Ring Ø 192 mm ( Z 63 or 54). Use items marked (6) together
- (7) Old Type having straight teeth. Use items marked (7) together.

## Date

03 / 2006

## Table

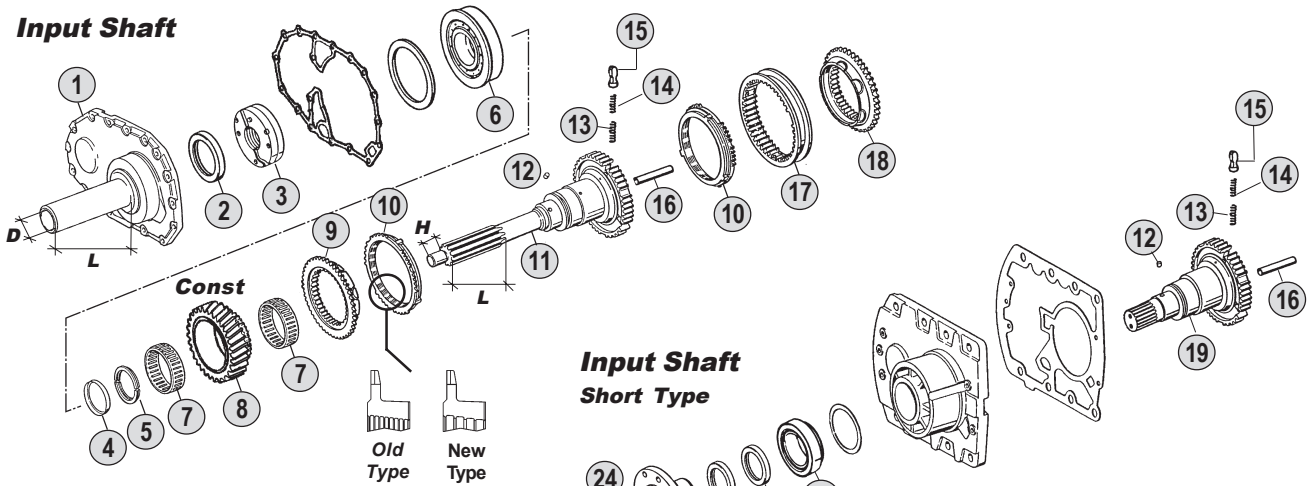
005 / A



Suitable To : **ZF**

**16S130 - 16S160 - 16S190**

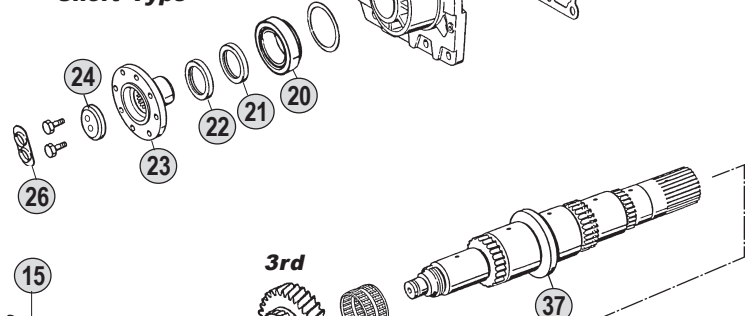
**Input Shaft**



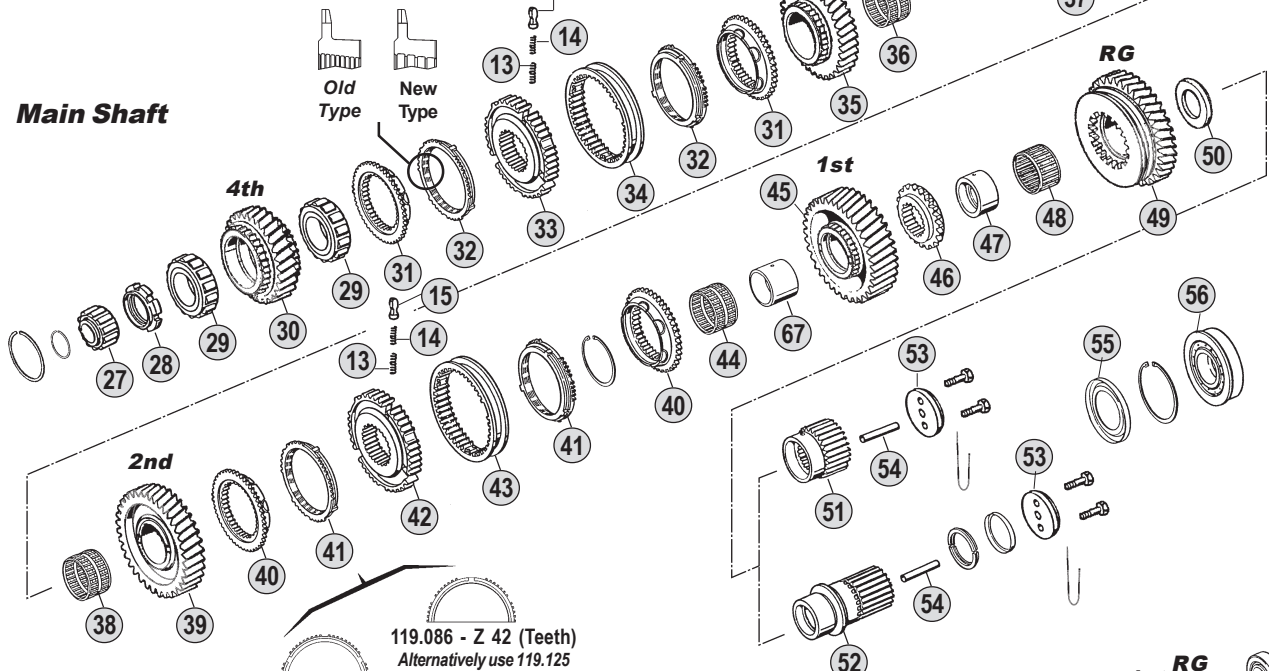
**Springs & Slides Kits**

|               |               |               |
|---------------|---------------|---------------|
| x 3           | x 6           | x 9           |
| x 3           | x 6           | x 9           |
| x 3           | x 6           | x 9           |
| <b>Kit 68</b> | <b>Kit 69</b> | <b>Kit 70</b> |

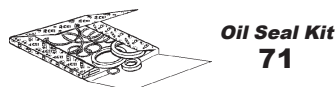
**Input Shaft Short Type**



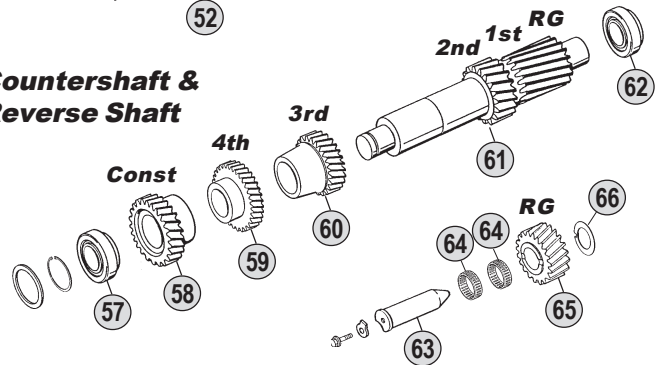
**Main Shaft**



**Kits**



**Countershaft & Reverse Shaft**



**Ratios**

|               |                  |                  |                  |                  |                  |
|---------------|------------------|------------------|------------------|------------------|------------------|
| <b>16S130</b> | A : 10,14 - 0,72 | B : 11,46 - 0,85 | C : 13,68 - 1,00 | D : 14,29 - 0,82 | E : --           |
| <b>16S160</b> | A : --           | B : 11,46 - 0,85 | C : 13,68 - 1,00 | D : 14,29 - 0,82 | E : 17,06 - 1,00 |
| <b>16S190</b> | A : --           | B : 11,46 - 0,85 | C : 13,68 - 1,00 | D : 14,29 - 0,82 | E : 17,06 - 1,00 |



All original equipment manufacturers' numbers, symbols, pictures, models and description used in this catalogue are for reference only, and it is not implied that any part listed is the product of these manufactures. Tutti i nostri particolari non sono originali ma con essi intercambiabili. I riferimenti originali, le figure, i modelli sono esposti a semplice titolo indicativo. La nostra produzione riporta il nostro marchio.

| Fig. | CEI no. | O.E.M. Reference |               | Description                 | Q.ty | Note      | Ratio |               |               |               |  |  |
|------|---------|------------------|---------------|-----------------------------|------|-----------|-------|---------------|---------------|---------------|--|--|
|      |         | ZF no.           | M.A.N. no.    |                             |      |           |       | 16S130 (1286) | 16S160 (1297) | 16S190 (1297) |  |  |
| 21   |         | 0634 310 648     | 06 56279 0089 | Oil Seal 70x90x10           | 1    |           |       | ●             |               |               |  |  |
| 22   |         | 0734 300 140     | 81 96503 0012 | Oil Seal 70x90x10           | 1    |           |       | ●             |               |               |  |  |
| 23   | 155.135 | 1286 304 026     |               | Drive Flange                | 1    | D.150-8H. |       | ●             |               |               |  |  |
| 24   | 188.078 | 1269 302 065     | 81 32312 0735 | Stop Washer                 | 1    |           |       | ●             |               |               |  |  |
| 26   |         | 1269 302 164     | 81 90801 0277 | Stop Washer                 | 1    |           |       | ●             |               |               |  |  |
| 27   | 137.081 | 0750 118 010     | 81 93404 0028 | Roller Cage D.30x60x25,50   | 1    |           |       | ●             |               |               |  |  |
| 27   | 137.113 | 0750 118 038     | 81 93420 0174 | Roller Cage D.35x68x27,50   | 1    |           |       | ●             | ●             |               |  |  |
| 28   | 187.412 | 0737 502 092     | 81 90620 0073 | Grooved Nut M60x1,5         | 1    |           |       | ●             | ●             | ●             |  |  |
| 29   | 137.083 | 0750 118 005     | 81 93420 0133 | Roller Cage D.63x97,5x34,80 | 2    |           |       | ●             |               |               |  |  |
| 29   | 137.157 | 0750 118 220     | 81 93420 0188 | Roller Cage D.63x97,5x37,50 | 2    |           |       | ●             | ●             |               |  |  |
| 30   | 146.212 | 1295 304 135     | 81 32301 0587 | Gear 4th Speed 30 T         | 1    |           | AC    | ●             |               |               |  |  |
| 30   | 146.356 | 1295 304 136     | 81 32301 0435 | Gear 4th Speed 28 T         | 1    |           | B     | ●             |               |               |  |  |
| 30   | 146.454 | 1295 304 236     | 81 32301 0611 | Gear 4th Speed 26 T         | 1    |           | D     | ●             |               |               |  |  |
| 30   | 146.384 | 1297 304 267     | 82 32202 0000 | Gear 4th Speed 28 T         | 1    |           | B     | ●             | ●             |               |  |  |
| 30   | 146.318 | 1297 304 260     | 81 32301 0700 | Gear 4th Speed 30 T         | 1    |           | C     | ●             | ●             |               |  |  |
| 30   | 146.315 | 1297 304 318     | 81 32301 0623 | Gear 4th Speed 26 T         | 1    |           | D     | ●             | ●             |               |  |  |
| 30   | 146.294 | 1297 304 413     |               | Gear 4th Speed 29 T         | 1    |           | E     | ●             | ●             |               |  |  |
| 31   | 109.072 | 1295 304 278     | 81 32425 0071 | Synchronizer Cone           | 2    |           |       | ●             | ●             | ●             |  |  |
| 32   | 119.084 | 1295 304 004     | 81 32420 0081 | Synchronizer Ring           | 2    | Old Type  |       | ●             | ●             | ●             |  |  |
| 32   | 119.175 | 1304 304 686     |               | Synchronizer Ring           | 2    | New Type  |       | ●             | ●             | ●             |  |  |
| 33   | 157.110 | 1297 304 031     | 81 32420 0083 | Synchronizer Hub            | 1    |           |       | ●             | ●             | ●             |  |  |
| 34   | 154.097 | 1295 304 002     | 81 32402 0101 | Sliding Sleeve              | 1    |           |       | ●             | ●             | ●             |  |  |
| 35   |         | 1295 304 269     |               | Gear 3rd Speed 25 T         | 1    |           | A     | ●             |               |               |  |  |
| 35   | 145.495 | 1295 304 127     | 81 32301 0434 | Gear 3rd Speed 32 T         | 1    |           | BD    | ●             |               |               |  |  |
| 35   | 145.277 | 1295 304 128     | 81 32301 0586 | Gear 3rd Speed 34 T         | 1    |           | C     | ●             |               |               |  |  |
| 35   | 145.470 | 1297 304 266     | 81 32301 0621 | Gear 3rd Speed 32 T         | 1    |           | BD    | ●             | ●             |               |  |  |
| 35   | 145.450 | 1297 304 261     | 81 32301 0699 | Gear 3rd Speed 34 T         | 1    |           | C     | ●             | ●             |               |  |  |
| 35   | 145.377 | 1297 304 414     |               | Gear 3rd Speed 34 T         | 1    |           | E     | ●             | ●             |               |  |  |
| 36   | 137.084 | 0735 320 418     | 81 93402 0068 | Needle Cage D.82x90x49      | 1    |           |       | ●             |               |               |  |  |
| 36   | 137.112 | 0735 320 451     | 81 93402 0098 | Needle Cage D.82x90x60      | 1    |           |       | ●             | ●             |               |  |  |
| 37   |         | 1295 304 273     |               | Main Shaft                  | 1    |           | A     | ●             |               |               |  |  |
| 37   | 103.075 | 1295 304 245     | 81 32202 0041 | Main Shaft                  | 1    |           | BC    | ●             |               |               |  |  |
| 37   | 103.140 | 1295 304 250     | 81 32202 0051 | Main Shaft                  | 1    |           | D     | ●             |               |               |  |  |
| 37   | 103.132 | 1297 304 181     | 81 32202 0060 | Main Shaft                  | 1    |           | BC    | ●             | ●             |               |  |  |
| 37   | 103.098 | 1297 304 193     | 81 32202 0052 | Main Shaft                  | 1    |           | DE    | ●             | ●             |               |  |  |
| 38   | 137.112 | 0735 320 451     | 81 93402 0098 | Needle Cage D.82x90x60      | 1    |           | A     | ●             |               |               |  |  |
| 38   | 137.084 | 0735 320 418     | 81 93402 0068 | Needle Cage D.82x90x49      | 1    |           | BCD   | ●             |               |               |  |  |
| 38   | 137.109 | 0735 320 452     | 81 93402 0099 | Needle Cage D.82x90x55      | 1    |           |       | ●             | ●             |               |  |  |
| 39   |         | 1295 304 271     |               | Gear 2nd Speed 34 T         | 1    |           | A     | ●             |               |               |  |  |
| 39   | 145.501 | 1295 304 120     | 81 32301 0432 | Gear 2nd Speed 37 T         | 1    |           | BD    | ●             |               |               |  |  |
| 39   | 145.278 | 1295 304 121     | 81 32301 0738 | Gear 2nd Speed 38 T         | 1    |           | C     | ●             |               |               |  |  |
| 39   | 145.500 | 1297 304 269     | 81 32301 0763 | Gear 2nd Speed 37 T         | 1    |           | BD    | ●             | ●             |               |  |  |
| 39   | 145.375 | 1297 304 442     |               | Gear 2nd Speed 38 T         | 1    |           | CE    | ●             | ●             |               |  |  |
| 40   | 109.074 | 1297 304 196     | 81 32425 0084 | Synchronizer Cone           | 2    |           |       | ●             | ●             | ●             |  |  |
| 40   | 109.072 | 1295 304 278     | 81 32425 0071 | Synchronizer Cone           | 2    | (6)       |       | ●             |               |               |  |  |

## Notes

- (1) Only for input Shaft 1295 221 001 - 1297 221 006/008/010
- (2) To be coupled together with Fig. 4 - 0730 061 816
- (3) To be coupled together with Fig. 4 - 0730 062 579
- (5) Only for input Shaft 1295 202 039 - 1297 202 011/045/061
- (6) Old Type. Old Syncro Ring Ø 175.5 mm (Z 57 or 30)  
Standard Syncro Ring Ø 192 mm (Z 63 or 54). Use items marked (6) together
- (7) Old Type having straight teeth. Use items marked (7) together.

## Date

03 / 2006

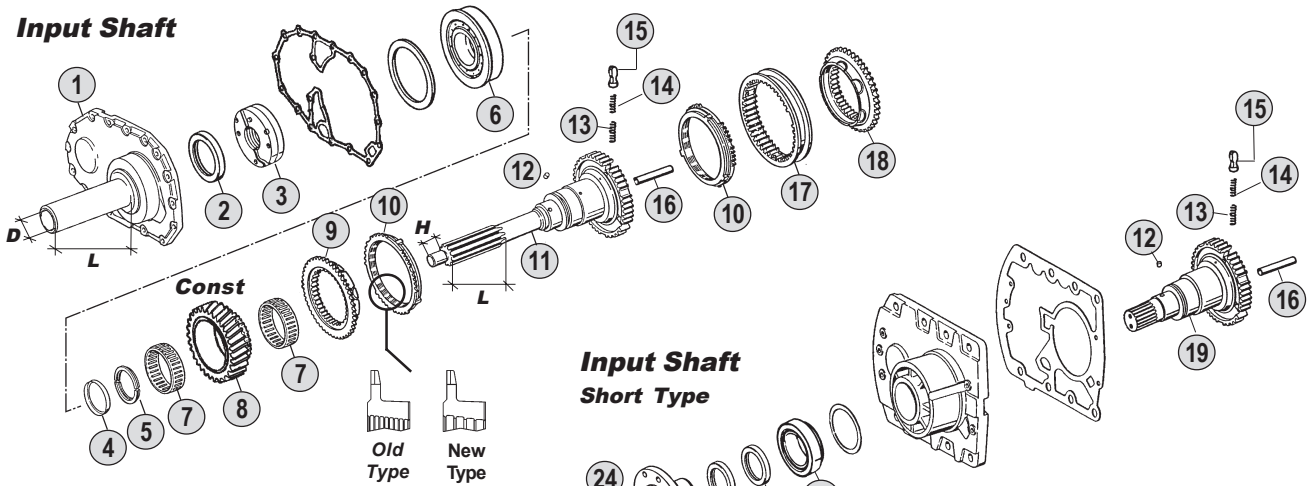
## Table

005 / A

Suitable To : **ZF**

**16S130 - 16S160 - 16S190**

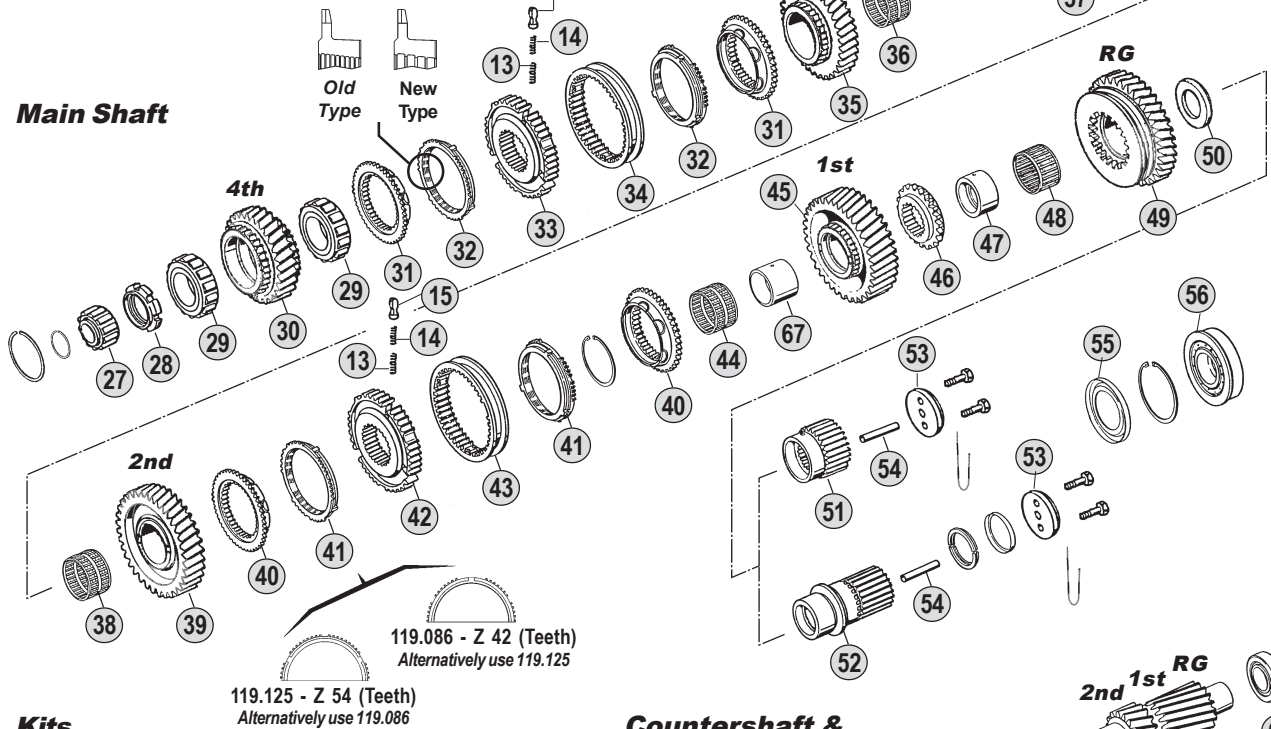
**Input Shaft**



**Springs & Slides Kits**

|               |               |               |
|---------------|---------------|---------------|
| x 3           | x 6           | x 9           |
| x 3           | x 6           | x 9           |
| x 3           | x 6           | x 9           |
| <b>Kit 68</b> | <b>Kit 69</b> | <b>Kit 70</b> |

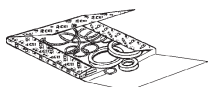
**Main Shaft**



**Kits**

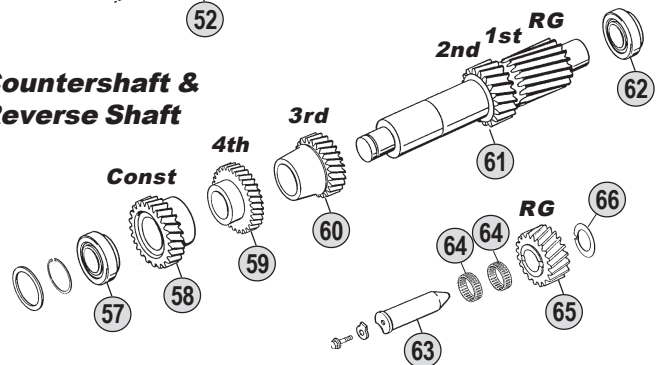


**Gasket Kit 72**



**Oil Seal Kit 71**

**Countershaft & Reverse Shaft**



**Ratios**

|               |                  |                  |                  |                  |                  |
|---------------|------------------|------------------|------------------|------------------|------------------|
| <b>16S130</b> | A : 10,14 - 0,72 | B : 11,46 - 0,85 | C : 13,68 - 1,00 | D : 14,29 - 0,82 | E : --           |
| <b>16S160</b> | A : --           | B : 11,46 - 0,85 | C : 13,68 - 1,00 | D : 14,29 - 0,82 | E : 17,06 - 1,00 |
| <b>16S190</b> | A : --           | B : 11,46 - 0,85 | C : 13,68 - 1,00 | D : 14,29 - 0,82 | E : 17,06 - 1,00 |

All original equipment manufacturers' numbers, symbols, pictures, models and description used in this catalogue are for reference only, and it is not implied that any part listed is the product of these manufactures. Tutti i nostri particolari non sono originali ma con essi intercambiabili. I riferimenti originali, le figure, i modelli sono esposti a semplice titolo indicativo. La nostra produzione riporta il nostro marchio.

| Fig. | CEI no. | O.E.M. Reference |               | Description                  | Q.ty | Note                    | Ratio |               |               |               |  |  |  |
|------|---------|------------------|---------------|------------------------------|------|-------------------------|-------|---------------|---------------|---------------|--|--|--|
|      |         | ZF no.           | M.A.N. no.    |                              |      |                         |       | 16S130 (1286) | 16S160 (1297) | 16S190 (1297) |  |  |  |
| 41   | 119.125 | 1296 304 135     | 81 32420 0120 | Synchronizer Ring            | 2    | Z 54 - Alt. use 119.086 |       | ●             | ●             | ●             |  |  |  |
| 41   | 119.086 | 1246 304 278     |               | Synchronizer Ring 42 T       | 2    | Z 42 - Alt. use 119.125 |       | ●             | ●             | ●             |  |  |  |
| 41   | 119.084 | 1295 304 004     | 81 32420 0081 | Synchronizer Ring            | 2    | (6)                     |       | ●             |               |               |  |  |  |
| 42   | 157.111 | 1297 304 195     | 81 32420 0122 | Synchronizer Hub             | 1    |                         |       | ●             | ●             | ●             |  |  |  |
| 42   | 157.110 | 1297 304 031     | 81 32420 0083 | Synchronizer Hub             | 1    | (6)                     |       | ●             |               |               |  |  |  |
| 43   | 154.051 | 1257 304 020     | 81 32402 0080 | Sliding Sleeve 1st-2nd Speed | 1    |                         |       | ●             | ●             | ●             |  |  |  |
| 43   | 154.097 | 1295 304 002     | 81 32402 0101 | Sliding Sleeve               | 1    | (6)                     |       | ●             |               |               |  |  |  |
| 44   | 137.159 | 0735 320 548     |               | Needle Cage D.70x78x46       | 1    |                         | A     | ●             |               |               |  |  |  |
| 44   | 137.085 | 0735 320 496     | 81 93402 0070 | Needle Cage D.70x78x55       | 1    |                         | BCD   | ●             |               |               |  |  |  |
| 44   | 137.110 | 0735 320 487     | 81 93402 0100 | Needle Cage D.82x90x68       | 1    |                         |       | ●             | ●             |               |  |  |  |
| 45   |         | 1295 304 270     |               | Gear 1st Speed 41 T          | 1    |                         | A     | ●             |               |               |  |  |  |
| 45   | 145.506 | 1295 304 203     | 81 32301 0496 | Gear 1st Speed 44 T          | 1    |                         | BD    | ●             |               |               |  |  |  |
| 45   | 145.545 | 1295 304 123     | 81 32301 0433 | Gear 1st Speed 44 T          | 1    | (7)                     | B     | ●             |               |               |  |  |  |
| 45   | 145.279 | 1295 304 202     | 81 32301 0697 | Gear 1st Speed 47 T          | 1    |                         | C     | ●             |               |               |  |  |  |
| 45   | 145.507 | 1297 304 270     | 81 32301 0764 | Gear 1st Speed 44 T          | 1    |                         | BD    |               | ●             | ●             |  |  |  |
| 45   | 145.376 | 1297 304 441     | 81 32301 0698 | Gear 1st Speed 47 T          | 1    |                         | CE    |               | ●             | ●             |  |  |  |
| 46   | 109.184 | 1295 304 024     | 81 32425 0063 | Engaging Ring                | 1    |                         | A     | ●             |               |               |  |  |  |
| 46   | 109.075 | 1295 304 206     | 81 32425 0072 | Engaging Ring                | 1    |                         | BCD   | ●             |               |               |  |  |  |
| 46   | 109.184 | 1295 304 024     | 81 32425 0063 | Engaging Ring                | 1    | (7)                     | B     | ●             |               |               |  |  |  |
| 46   | 109.178 | 1297 304 154     | 81 32425 0075 | Engaging Ring                | 1    |                         |       |               | ●             | ●             |  |  |  |
| 47   | 117.203 | 1295 304 012     | 81 32220 0056 | Bush D.60x75x38              | 1    |                         | ABC   | ●             |               |               |  |  |  |
| 47   | 117.318 | 1297 304 034     | 81 32220 0059 | Bush                         | 1    |                         | BC    |               | ●             | ●             |  |  |  |
| 48   | 137.086 | 0750 115 059     | 81 93402 0088 | Needle Cage D.75x83x40       | 1    |                         |       | ●             |               |               |  |  |  |
| 48   | 137.111 | 0735 320 486     | 81 93402 0074 | Needle Cage D.78x86x44       | 1    |                         |       |               | ●             | ●             |  |  |  |
| 49   |         | 1295 304 272     |               | Reverse Gear 39 T            | 1    |                         | A     | ●             |               |               |  |  |  |
| 49   | 147.138 | 1295 304 201     | 81 32301 0494 | Reverse Gear 39 T            | 1    |                         | BD    | ●             |               |               |  |  |  |
| 49   | 147.152 | 1295 304 115     | 81 32301 0438 | Reverse Gear 39 T            | 1    | (7)                     | B     | ●             |               |               |  |  |  |
| 49   | 147.093 | 1295 304 200     | 81 32301 0778 | Reverse Gear 38 T            | 1    |                         | C     | ●             |               |               |  |  |  |
| 49   | 147.109 | 1297 304 149     | 81 32301 0499 | Reverse Gear 39 T            | 1    |                         | BD    |               | ●             | ●             |  |  |  |
| 49   | 147.140 | 1297 304 148     |               | Reverse Gear 38 T            | 1    |                         | CE    |               | ●             | ●             |  |  |  |
| 50   | 169.409 | 1295 304 240     | 81 32312 0748 | Thrust Washer                | 1    |                         | ABC   | ●             |               |               |  |  |  |
| 50   |         | 1295 304 125     | 81 32312 0663 | Thrust Washer                | 1    | (7)                     | B     | ●             |               |               |  |  |  |
| 50   | 169.757 | 1297 304 381     | 81 91710 0379 | Thrust Washer                | 1    |                         | BC    |               | ●             | ●             |  |  |  |
| 51   | 157.112 | 1295 304 248     | 81 32301 0497 | Sun Gear 27 T                | 1    |                         | ABC   | ●             |               |               |  |  |  |
| 51   | 157.177 | 1297 304 187     | 81 32301 0466 | Sun Gear 27 T                | 1    |                         | BC    |               | ●             | ●             |  |  |  |
| 52   | 157.207 | 1295 304 251     | 81 32301 0603 | Sun Gear 24 T                | 1    |                         | D     | ●             |               |               |  |  |  |
| 52   | 157.198 | 1297 304 439     | 81 32301 0624 | Sun Gear 24 T                | 1    |                         | DE    |               | ●             | ●             |  |  |  |
| 53   | 188.076 | 1272 304 021     | 81 32312 0710 | Stop Washer                  | 1    |                         |       | ●             | ●             | ●             |  |  |  |
| 54   |         | 0730 061 842     | 81 32562 0008 | Oil Tube                     | 1    |                         |       | ●             | ●             | ●             |  |  |  |
| 55   |         | 1295 304 129     | 81 32147 0008 | Oil Collector                | 1    |                         | ABC   | ●             |               |               |  |  |  |
| 55   |         | 1297 301 004     | 81 32312 0854 | Oil Collector                | 1    |                         | D     | ●             |               |               |  |  |  |
| 55   |         | 1297 301 004     | 81 32312 0854 | Oil Collector                | 1    |                         |       |               | ●             | ●             |  |  |  |
| 56   | 130.240 | 0750 118 153     | 81 93420 0129 | Bearing D.60x130x31          | 1    |                         | ABC   | ●             |               |               |  |  |  |
| 56   |         | 0750 118 137     | 81 93420 0177 | Bearing 80x140x26            | 1    |                         | D     | ●             |               |               |  |  |  |
| 56   | 130.702 | 0750 118 006     | 81 93420 0220 | Bearing 65x140x33            | 1    |                         | BC    |               | ●             | ●             |  |  |  |

## Notes

- (1) Only for input Shaft 1295 221 001 - 1297 221 006/008/010
- (2) To be coupled together with Fig. 4 - 0730 061 816
- (3) To be coupled together with Fig. 4 - 0730 062 579
- (5) Only for input Shaft 1295 202 039 - 1297 202 011/045/061
- (6) Old Type. Old Syncro Ring Ø 175.5 mm ( Z 57 or 30)
- (6) Standard Syncro Ring Ø 192 mm ( Z 63 or 54). Use items marked (6) together
- (7) Old Type having straight teeth. Use items marked (7) together.

## Date

03 / 2006

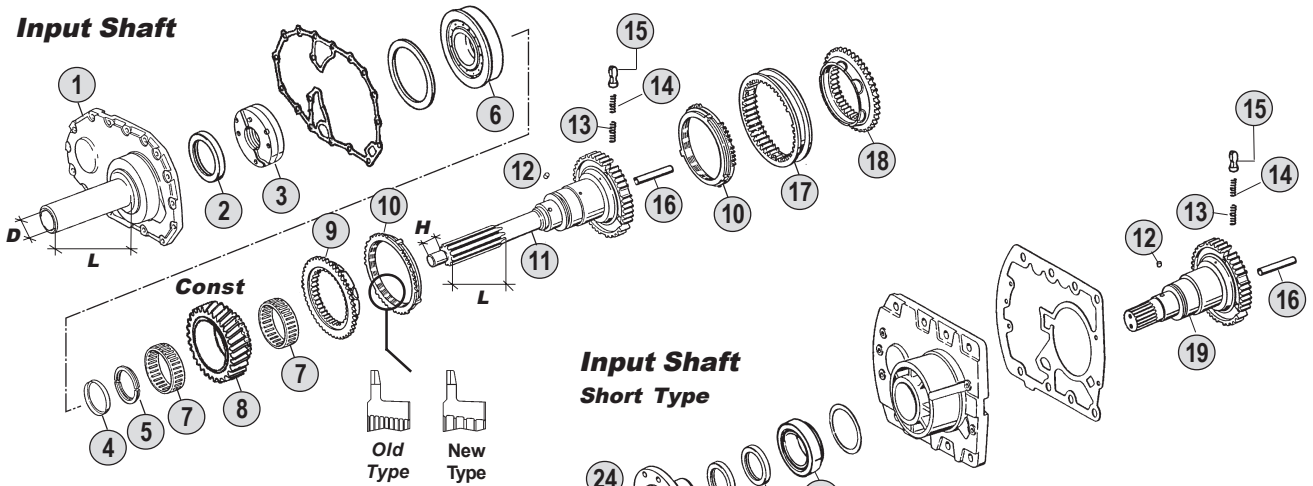
## Table

005 / A

Suitable To : **ZF**

**16S130 - 16S160 - 16S190**

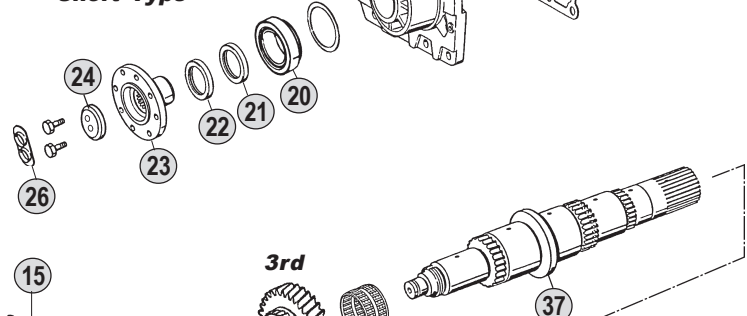
**Input Shaft**



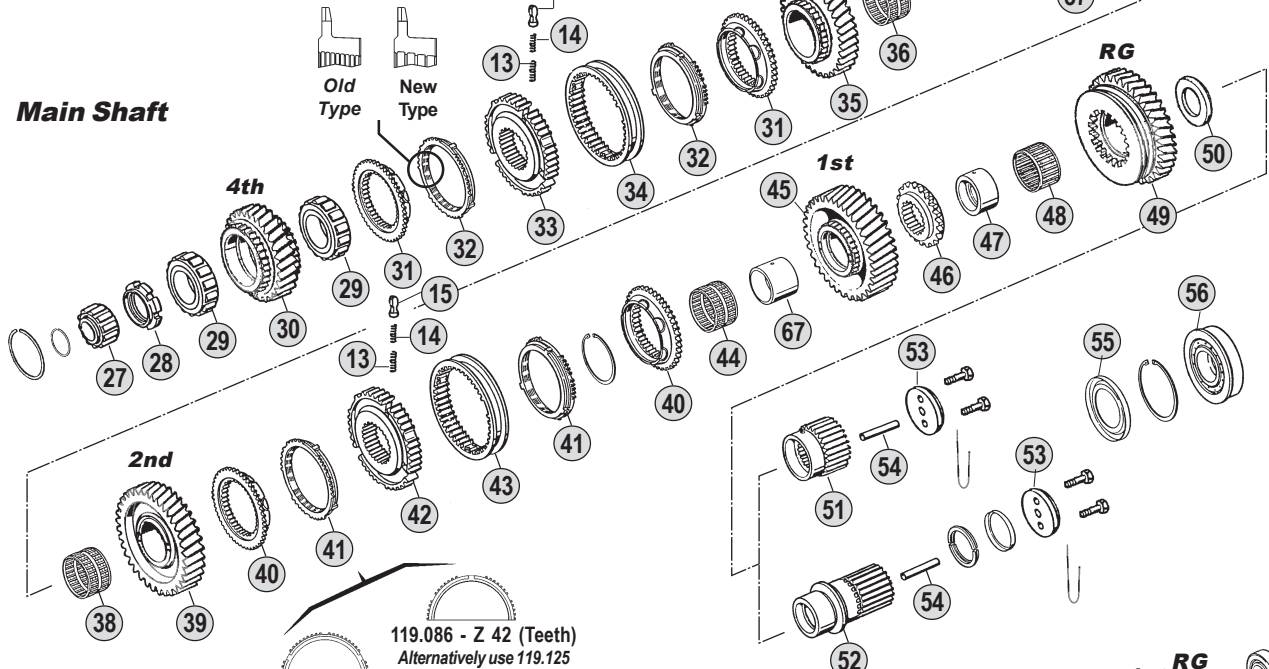
**Springs & Slides Kits**

|               |               |               |
|---------------|---------------|---------------|
| x 3           | x 6           | x 9           |
| x 3           | x 6           | x 9           |
| x 3           | x 6           | x 9           |
| <b>Kit 68</b> | <b>Kit 69</b> | <b>Kit 70</b> |

**Input Shaft Short Type**



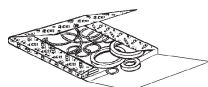
**Main Shaft**



**Kits**

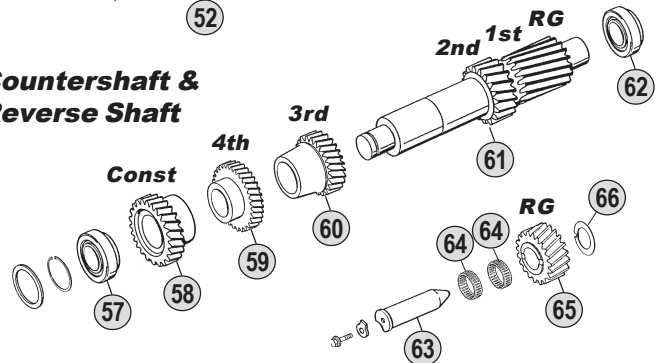


**Gasket Kit 72**



**Oil Seal Kit 71**

**Countershaft & Reverse Shaft**



**Ratios**

|               |                  |                  |                  |                  |                  |
|---------------|------------------|------------------|------------------|------------------|------------------|
| <b>16S130</b> | A : 10,14 - 0,72 | B : 11,46 - 0,85 | C : 13,68 - 1,00 | D : 14,29 - 0,82 | E : --           |
| <b>16S160</b> | A : --           | B : 11,46 - 0,85 | C : 13,68 - 1,00 | D : 14,29 - 0,82 | E : 17,06 - 1,00 |
| <b>16S190</b> | A : --           | B : 11,46 - 0,85 | C : 13,68 - 1,00 | D : 14,29 - 0,82 | E : 17,06 - 1,00 |

| Fig. | CEI no.        | O.E.M. Reference |               | Description               | Q.ty | Note | Ratio |               |               |               |  |  |
|------|----------------|------------------|---------------|---------------------------|------|------|-------|---------------|---------------|---------------|--|--|
|      |                | ZF no.           | M.A.N. no.    |                           |      |      |       | 16S130 (1286) | 16S160 (1297) | 16S190 (1297) |  |  |
| 56   | 130.703        | 0750 118 180     | 81 93420 0186 | Bearing 80x140x33         | 1    |      | DE    | ●             | ●             |               |  |  |
| 57   | <b>130.242</b> | 0750 117 010     | 81 93420 0132 | Bearing D.50,80x100x35    | 1    |      |       | ●             | ●             | ●             |  |  |
| 58   | <b>146.210</b> | 1295 303 101     | 81 32301 0696 | Constant Gear 34 T        | 1    |      | AC    | ●             |               |               |  |  |
| 58   | 146.354        | 1295 303 036     | 81 32301 0430 | Constant Gear 31 T        | 1    |      | B     | ●             |               |               |  |  |
| 58   | 146.457        | 1295 303 060     | 81 32301 0600 | Constant Gear 32 T        | 1    |      | D     | ●             |               |               |  |  |
| 58   | <b>146.383</b> | 1297 303 074     | 81 32301 0460 | Constant Gear 31 T        | 1    |      | B     |               | ●             | ●             |  |  |
| 58   | <b>146.322</b> | 1297 303 066     | 81 32301 0565 | Constant Gear 34 T        | 1    |      | C     |               | ●             | ●             |  |  |
| 58   | <b>146.319</b> | 1297 303 098     | 81 32301 0590 | Constant Gear 32 T        | 1    |      | D     |               | ●             | ●             |  |  |
| 58   | <b>146.321</b> | 1297 303 086     |               | Constant Gear 35 T        | 1    |      | E     |               | ●             | ●             |  |  |
| 59   | <b>146.209</b> | 1295 303 027     | 81 32301 0737 | Gear 4th Speed 31 T       | 1    |      | AC    | ●             |               |               |  |  |
| 59   | 146.413        | 1295 303 028     | 81 32301 0431 | Gear 4th Speed 34 T       | 1    |      | B     | ●             |               |               |  |  |
| 59   | 146.461        | 1295 303 094     | 81 32301 0598 | Gear 4th Speed 35 T       | 1    |      | D     | ●             |               |               |  |  |
| 59   | <b>146.382</b> | 1297 303 072     | 82 32301 0072 | Gear 4th Speed 34 T       | 1    |      | B     |               | ●             | ●             |  |  |
| 59   | <b>146.381</b> | 1297 303 065     | 81 32301 0564 | Gear 4th Speed 31 T       | 1    |      | C     |               | ●             | ●             |  |  |
| 59   | <b>146.415</b> | 1297 303 097     | 81 32301 0619 | Gear 4th Speed 35 T       | 1    |      | D     |               | ●             | ●             |  |  |
| 59   | <b>146.416</b> | 1297 303 123     |               | Gear 4th Speed 32 T       | 1    |      | E     |               | ●             | ●             |  |  |
| 60   |                | 1295 303 071     |               | Gear 3rd Speed 36 T       | 1    |      | A     | ●             |               |               |  |  |
| 60   | 146.355        | 1295 303 025     | 81 32301 0429 | Gear 3rd Speed 28 T       | 1    |      | BD    | ●             |               |               |  |  |
| 60   | <b>146.211</b> | 1295 303 026     | 81 32301 0777 | Gear 3rd Speed 25 T       | 1    |      | C     | ●             |               |               |  |  |
| 60   | <b>146.357</b> | 1297 303 073     | 81 32301 0618 | Gear 3rd Speed 28 T       | 1    |      | BD    |               | ●             | ●             |  |  |
| 60   | <b>146.421</b> | 1297 303 067     | 81 32301 0682 | Gear 3rd Speed 25 T       | 1    |      | C     |               | ●             | ●             |  |  |
| 60   | <b>146.422</b> | 1297 303 132     |               | Gear 3rd Speed 26 T       | 1    |      | E     |               | ●             | ●             |  |  |
| 61   |                | 1295 303 072     |               | Countershaft              | 1    |      | A     | ●             |               |               |  |  |
| 61   | 105.119        | 1295 303 067     | 81 32206 0060 | Countershaft 19-23 T      | 1    |      | BD    | ●             |               |               |  |  |
| 61   | 105.105        | 1295 303 045     | 81 32208 0001 | Countershaft 19-23 T      | 1    | (7)  | B     | ●             |               |               |  |  |
| 61   | <b>105.060</b> | 1295 303 066     | 81 32206 0075 | Countershaft 17-20 T      | 1    |      | C     | ●             |               |               |  |  |
| 61   | <b>105.092</b> | 1297 303 075     | 81 32206 0063 | Countershaft 19-23 T      | 1    |      | BD    |               | ●             | ●             |  |  |
| 61   | <b>105.093</b> | 1297 303 140     | 81 32206 0071 | Countershaft 17-20 T      | 1    |      | CE    |               | ●             | ●             |  |  |
| 62   | 130.243        | 0750 117 008     | 81 93420 0131 | Bearing D.50x110x42       | 1    |      |       | ●             |               |               |  |  |
| 62   | <b>130.308</b> | 0750 117 009     | 81 93420 0187 | Bearing D.49,2x103,1x43,6 | 1    |      |       |               | ●             | ●             |  |  |
| 63   | 107.108        | 1295 305 056     | 81 32317 0032 | Reverse Gear Pin          | 1    |      |       | ●             | ●             | ●             |  |  |
| 64   | <b>137.007</b> | 0750 115 011     | 81 93402 0066 | Needle Cage D.45x53x21    | 2    |      |       | ●             | ●             | ●             |  |  |
| 65   | 147.153        | 1297 305 003     | 81 32315 0031 | Reverse Gear 21 T         | 1    |      | A     | ●             |               |               |  |  |
| 65   | 147.133        | 1295 305 051     | 81 32315 0034 | Reverse Gear 21 T         | 1    |      | BD    | ●             |               |               |  |  |
| 65   | 147.153        | 1297 305 003     | 81 32315 0031 | Reverse Gear 21 T         | 1    | (7)  | B     | ●             |               |               |  |  |
| 65   | 147.094        | 1295 305 052     | 81 32315 0038 | Reverse Gear 24 T         | 1    |      | C     | ●             |               |               |  |  |
| 65   | 147.133        | 1295 305 051     | 81 32315 0034 | Reverse Gear 21 T         | 1    |      | BD    |               | ●             | ●             |  |  |
| 65   | 147.094        | 1295 305 052     | 81 32315 0038 | Reverse Gear 24 T         | 1    |      | CE    |               | ●             | ●             |  |  |
| 66   | 169.234        | 0730 150 064     | 81 32312 0153 | Thrust Washer             | 1    |      |       | ●             | ●             | ●             |  |  |
| 67   | 117.246        | 1297 304 035     | 81 32220 0070 | Bush                      | 1    |      |       |               | ●             | ●             |  |  |
| 68   | <b>198.339</b> | 1268 298 938     |               | Spring Slide Set          | 1    |      |       | ●             | ●             | ●             |  |  |
| 69   | <b>198.564</b> | CEI 198564       |               | Spring Slide Set          | 1    |      |       | ●             | ●             | ●             |  |  |
| 70   | <b>198.842</b> | 1295 298 933     |               | Spring Slide Set          | 1    |      |       | ●             | ●             | ●             |  |  |
| 71   | <b>198.428</b> | 1295 298 960     | 81 32900 6059 | Oil Seal Ring Kit         | 1    |      |       | ●             | ●             | ●             |  |  |
| 72   | <b>198.427</b> | 1295 298 915     | 81 32900 6008 | Gasket Kit                | 1    |      |       | ●             | ●             | ●             |  |  |

**ECO I**  
From 16S130  
To 16S190

## Notes

- (1) Only for input Shaft 1295 221 001 - 1297 221 006/008/010
- (2) To be coupled together with Fig. 4 - 0730 061 816
- (3) To be coupled together with Fig. 4 - 0730 062 579
- (5) Only for input Shaft 1295 202 039 - 1297 202 011/045/061
- (6) Old Type. Old Syncro Ring Ø 175.5 mm ( Z 57 or 30)  
Standard Syncro Ring Ø 192 mm ( Z 63 or 54). Use items marked (6) together
- (7) Old Type having straight teeth. Use items marked (7) together.

## Date

03 / 2006

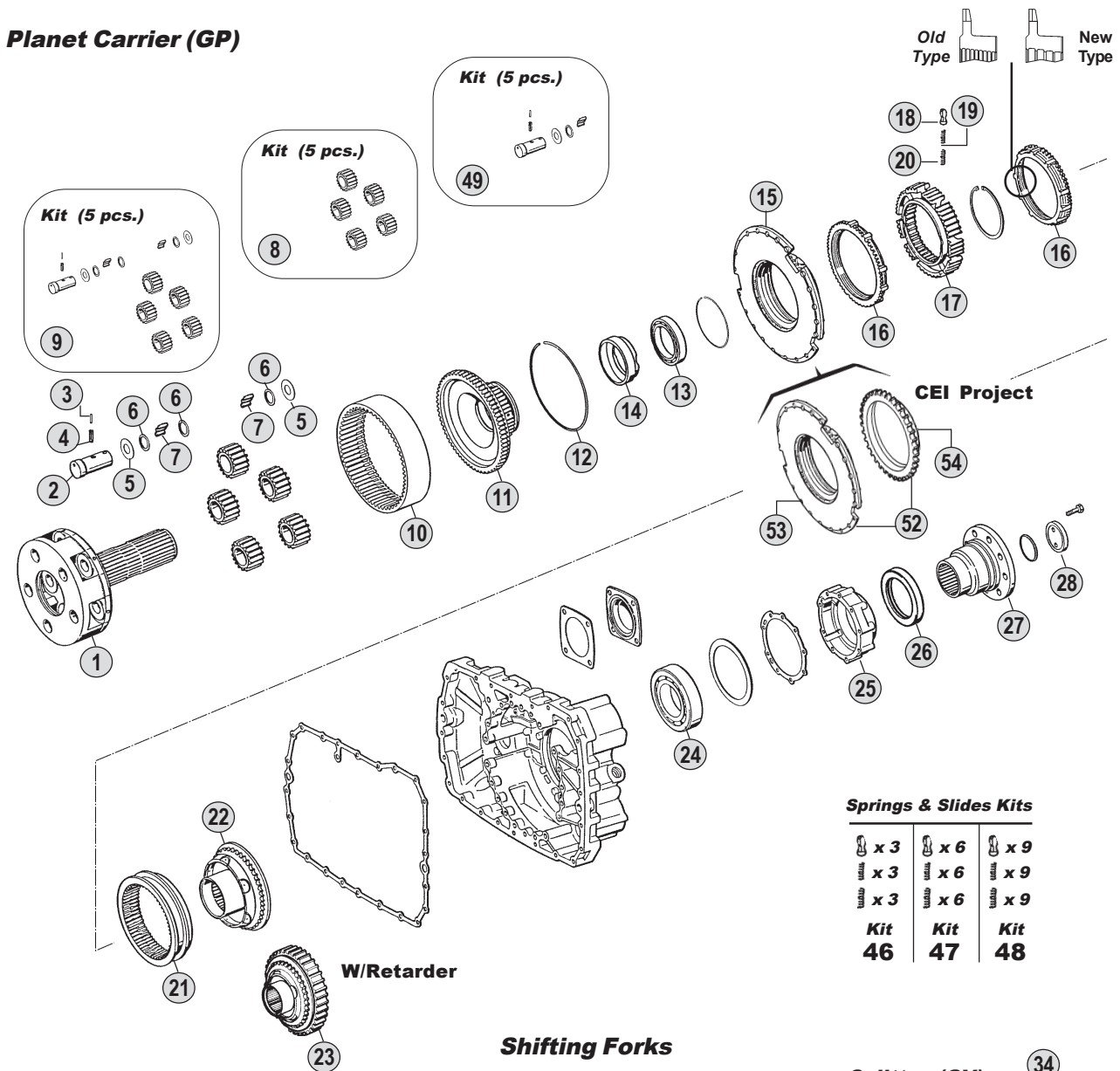
## Table

005 / A

Suitable To : **ZF**

**16S130 - 16S160 - 16S190**

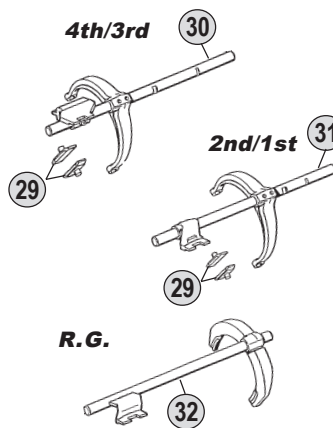
**Planet Carrier (GP)**



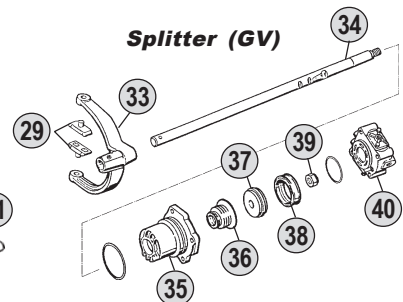
**Kits**



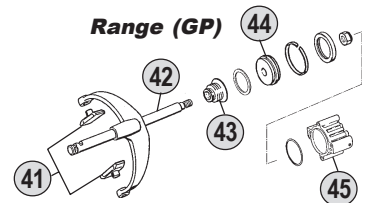
**Shifting Forks**



**Splitter (GV)**



**Range (GP)**



**Ratios**

|               |                |                  |                  |                  |                |
|---------------|----------------|------------------|------------------|------------------|----------------|
| <b>16S130</b> | A : 10,14-0,72 | B : 11,46 - 0,85 | C : 13,68 - 1,00 | D : 14,29 - 0,82 | E : --         |
| <b>16S160</b> | A : --         | B : 11,46 - 0,85 | C : 13,68 - 1,00 | D : 14,29 - 0,82 | E : 17,06-1,00 |
| <b>16S190</b> | A : --         | B : 11,46 - 0,85 | C : 13,68 - 1,00 | D : 14,29 - 0,82 | E : 17,06-1,00 |

All original equipment manufacturers' numbers, symbols, pictures, models and description used in this catalogue are for reference only, and it is not implied that any part listed is the product of these manufactures. Tutti i nostri particolari non sono originali ma con essi intercambiabili. I riferimenti originali, le figure, i modelli sono esposti a semplice titolo indicativo. La nostra produzione riporta il nostro marchio.

16S130 (1286)  
16S160 (1297)  
16S190 (1297)

| Fig. | CEI no.        | O.E.M. Reference |               | Description                     | Q.ty | Note | Ratio |               |               |               |  |  |  |
|------|----------------|------------------|---------------|---------------------------------|------|------|-------|---------------|---------------|---------------|--|--|--|
|      |                | ZF no.           | M.A.N. no.    |                                 |      |      |       | 16S130 (1286) | 16S160 (1297) | 16S190 (1297) |  |  |  |
| 1    | 190.169        | 1295 232 044     | 81 32403 0078 | Planetary Carrier               | 1    |      | ABC   | ●             |               |               |  |  |  |
| 1    | 190.395        | 1297 232 045     | 81 32403 0079 | Planetary Carrier               | 1    |      | D     | ●             |               |               |  |  |  |
| 1    | <b>190.396</b> | 1297 232 039     | 81 32403 0066 | Planetary Carrier               | 1    |      | BC    |               | ●             | ●             |  |  |  |
| 1    | 190.395        | 1297 232 045     | 81 32403 0079 | Planetary Carrier               | 1    |      | DE    |               | ●             | ●             |  |  |  |
| 1    |                | 1316 232 005     | 81 37501 0043 | Planetary Carrier               | 1    | (8)  | E     |               |               | ●             |  |  |  |
| 2    | 107.089        | 1269 332 036     | 81 32523 0086 | Planet Shaft                    | 5    |      | ABC   | ●             |               |               |  |  |  |
| 2    | <b>107.163</b> | 1297 332 109     | 81 32523 0111 | Planet Shaft                    | 5    |      | D     | ●             |               |               |  |  |  |
| 2    | <b>107.163</b> | 1297 332 109     | 81 32523 0111 | Planet Shaft                    | 5    |      |       |               | ●             | ●             |  |  |  |
| 2    | 107.165        | 1312 332 026     | 81 32523 0160 | Planet Shaft                    | 5    | (8)  |       |               |               | ●             |  |  |  |
| 3    | <b>160.191</b> | 0631 329 017     | 06 22120 0512 | Lock Pin D.3x24                 | 5    |      |       | ●             | ●             | ●             |  |  |  |
| 3    | 160.195        | 0631 329 167     | 06 22120 0513 | Lock Pin D.3x26                 | 5    | (8)  |       |               |               | ●             |  |  |  |
| 4    | <b>160.192</b> | 0631 329 050     | 06 22120 0912 | Lock Pin D.5x24                 | 5    |      |       | ●             | ●             | ●             |  |  |  |
| 4    | 160.194        | 0631 329 051     | 06 22120 0913 | Lock Pin D.5x26                 | 5    | (8)  |       |               |               | ●             |  |  |  |
| 5    | 169.408        | 0501 305 887     | 81 90712 0494 | Thrust Washer D.29x57,50x1,50   | 10   |      | ABC   | ●             |               |               |  |  |  |
| 5    | <b>169.753</b> | 0501 306 212     | 81 32312 0707 | Thrust Washer D.29x64x1,5       | 10   |      | D     | ●             |               |               |  |  |  |
| 5    | <b>169.753</b> | 0501 306 212     | 81 32312 0707 | Thrust Washer D.29x64x1,5       | 10   |      |       |               | ●             | ●             |  |  |  |
| 5    | 169.759        | 0501 308 981     | 81 32313 0123 | Thrust Washer                   | 10   | (8)  |       |               |               | ●             |  |  |  |
| 6    | <b>169.410</b> | 0730 103 846     | 81 90712 0495 | Spacer Ring D.29x39x1,00        | 15   |      |       | ●             | ●             | ●             |  |  |  |
| 6    | 169.744        | 0730 107 168     | 81 32313 0114 | Spacer Ring                     | 15   | (8)  |       |               |               | ●             |  |  |  |
| 7    | <b>171.016</b> | 0735 470 057     | 81 93403 0010 | Roller Set D.6x14,75 (180 pcs)  | 180  |      | ABC   | ●             |               |               |  |  |  |
| 7    | <b>171.045</b> | 0750 119 109     | 81 32528 0014 | Roller Set D.10x16,80 (120 pcs) | 120  |      | D     | ●             |               |               |  |  |  |
| 7    | <b>171.045</b> | 0750 119 109     | 81 32528 0014 | Roller Set D.10x16,80 (120 pcs) | 120  |      |       |               | ●             | ●             |  |  |  |
| 7    | <b>171.062</b> | 0750 119 116     | 81 93403 0023 | Roller D.10x16,8                | 140  | (8)  |       |               |               | ●             |  |  |  |
| 8    | <b>198.357</b> | 1295 232 027     | 81 32301 6002 | Planetary Gear Set (5 pcs)      | 1    |      | ABC   | ●             |               |               |  |  |  |
| 8    | <b>198.810</b> | 1297 232 024     | 81 32301 6007 | Planetary Gear Set (5 pcs)      | 1    |      | D     | ●             |               |               |  |  |  |
| 8    | <b>198.803</b> | 1297 232 023     | 81 32301 6003 | Planetary Gear Set (5 pcs)      | 1    |      | BC    |               | ●             | ●             |  |  |  |
| 8    | <b>198.810</b> | 1297 232 024     | 81 32301 6007 | Planetary Gear Set (5 pcs)      | 1    |      | DE    |               | ●             | ●             |  |  |  |
| 8    | <b>198.801</b> | 1312 232 014     | 81 37505 6009 | Planetary Gear Set (5 pcs)      | 1    | (8)  | E     |               |               | ●             |  |  |  |
| 9    | 198.562        | 1296 298 904     |               | Planetary Gear Set              | 1    |      | ABC   | ●             |               |               |  |  |  |
| 9    | <b>198.704</b> | 1297 298 912     |               | Planetary Gear Set              | 1    |      | BC    |               | ●             | ●             |  |  |  |
| 9    |                | 1297 298 919     |               | Planetary Gear Set              | 1    |      | DE    |               | ●             | ●             |  |  |  |
| 10   | 123.162        | 1295 332 053     | 81 32301 0444 | Crown Gear 83 T                 | 1    |      | ABC   | ●             |               |               |  |  |  |
| 10   | <b>123.208</b> | 1295 332 086     | 81 32301 0604 | Crown Gear 86 T                 | 1    |      | D     | ●             |               |               |  |  |  |
| 10   | <b>123.217</b> | 1297 332 080     | 81 32301 0691 | Crown Gear 83 T                 | 1    |      | BC    |               | ●             | ●             |  |  |  |
| 10   | <b>123.208</b> | 1295 332 086     | 81 32301 0604 | Crown Gear 86 T                 | 1    |      | DE    |               | ●             | ●             |  |  |  |
| 11   | 150.112        | 1295 332 021     | 81 32403 0052 | Flange Gear 83 T                | 1    |      | ABC   | ●             |               |               |  |  |  |
| 11   | <b>150.137</b> | 1297 332 035     | 81 32403 0070 | Flange Gear 86 T                | 1    |      | D     | ●             |               |               |  |  |  |
| 11   | <b>150.138</b> | 1297 332 017     | 81 32403 0057 | Flange Gear 83 T                | 1    |      | BC    |               | ●             | ●             |  |  |  |
| 11   | <b>150.137</b> | 1297 332 035     | 81 32403 0070 | Flange Gear 86 T                | 1    |      | DE    |               | ●             | ●             |  |  |  |
| 11   | <b>150.134</b> | 1297 332 120     | 81 37511 0007 | Flange Gear 86 T                | 1    | (8)  | E     |               |               | ●             |  |  |  |
| 12   | 111.129        | 0730 505 055     | 81 90820 0284 | Locking Wire                    | 1    |      | ABC   | ●             |               |               |  |  |  |
| 12   | 111.198        | 0730 505 056     | 81 90820 0371 | Locking Wire                    | 1    |      | D     | ●             |               |               |  |  |  |
| 12   | 111.129        | 0730 505 055     | 81 90820 0284 | Locking Wire                    | 1    |      | BC    |               | ●             | ●             |  |  |  |
| 12   | 111.198        | 0730 505 056     | 81 90820 0371 | Locking Wire                    | 1    |      | DE    |               | ●             | ●             |  |  |  |
| 13   | 130.244        | 0750 116 166     | 06 31429 0075 | Bearing D.75x105x16             | 1    |      | ABC   | ●             |               |               |  |  |  |

## Notes

- (7) Old Type having straight teeth (1st - RG speed) .Use items marked (7) together.  
 (8) New Reinforced Style. Use items marked (8) together

## Date

03 / 2006

## Table

005 / B

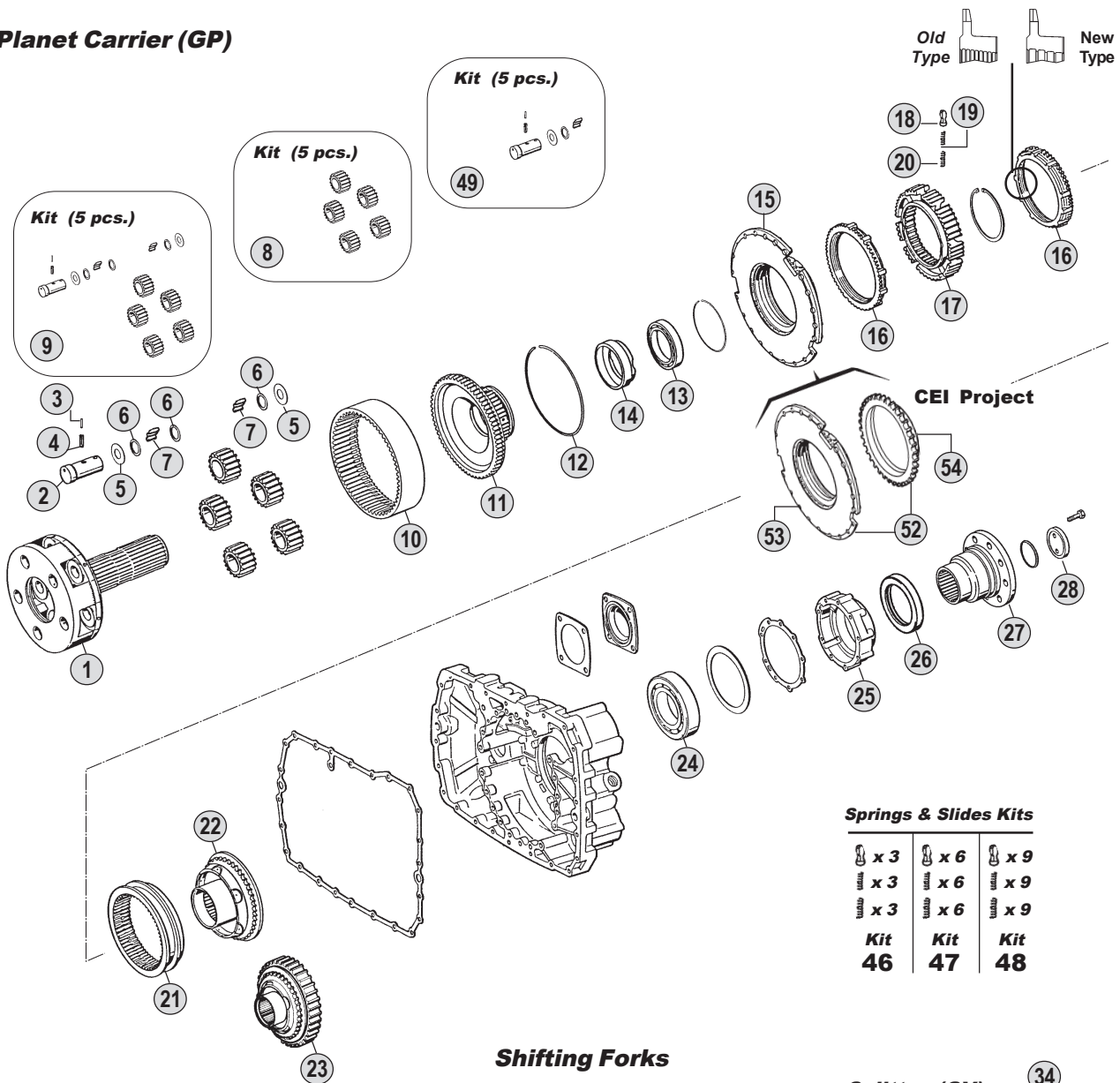
All original equipment manufacturers numbers, symbols, pictures, models and description used in this catalogue are for reference only, and it is not implied that any part listed is the product of these manufactures.  
 Tutti i nostri particolari non sono originali ma con essi intercambiabili. I riferimenti originali, le figure, i modelli sono esposti a semplice titolo indicativo. La nostra produzione riporta il nostro marchio.



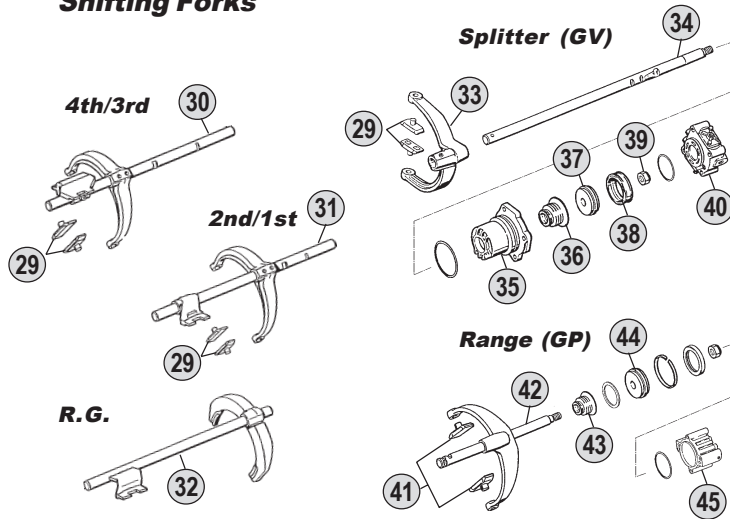
Suitable To : **ZF**

**16S130 - 16S160 - 16S190**

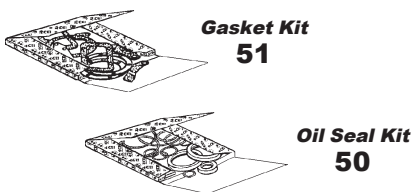
**Planet Carrier (GP)**



**Shifting Forks**



**Kits**



**Ratios**

|               |                |                  |                  |                  |                |
|---------------|----------------|------------------|------------------|------------------|----------------|
| <b>16S130</b> | A : 10,14-0,72 | B : 11,46 - 0,85 | C : 13,68 - 1,00 | D : 14,29 - 0,82 | E : --         |
| <b>16S160</b> | A : --         | B : 11,46 - 0,85 | C : 13,68 - 1,00 | D : 14,29 - 0,82 | E : 17,06-1,00 |
| <b>16S190</b> | A : --         | B : 11,46 - 0,85 | C : 13,68 - 1,00 | D : 14,29 - 0,82 | E : 17,06-1,00 |

All original equipment manufacturers' numbers, symbols, pictures, models and description used in this catalogue are for reference only, and it is not implied that any part listed is the product of these manufactures. Tutti i nostri particolari non sono originali ma con essi intercambiabili. I riferimenti originali, le figure, i modelli sono esposti a semplice titolo indicativo. La nostra produzione riporta il nostro marchio.

16S130 (1286)  
16S160 (1297)  
16S190 (1297)

| Fig. | O.E.M. Reference |              | Description   | Q.ty                        | Note | Ratio                  |            |               |               |               |  |  |  |
|------|------------------|--------------|---------------|-----------------------------|------|------------------------|------------|---------------|---------------|---------------|--|--|--|
|      | CEI no.          | ZF no.       |               |                             |      |                        | M.A.N. no. | 16S130 (1286) | 16S160 (1297) | 16S190 (1297) |  |  |  |
| 13   | 130.310          | 0750 116 165 | 81 93410 0083 | Bearing D.80x110x16         | 1    |                        | D          | ●             |               |               |  |  |  |
| 13   | 130.310          | 0750 116 165 | 81 93410 0083 | Bearing D.80x110x16         | 1    |                        |            | ●             | ●             |               |  |  |  |
| 13   | 130.311          | 0635 338 035 |               | Bearing D.100x125x13        | 1    | (8)                    |            |               | ●             |               |  |  |  |
| 14   |                  | 1297 332 002 | 81 32312 0708 | Ring                        | 1    |                        | D          | ●             |               |               |  |  |  |
| 14   |                  | 1297 332 002 | 81 32312 0708 | Ring                        | 1    |                        |            | ●             | ●             |               |  |  |  |
| 15   | 198.358          | 1296 233 006 | 81 32425 0073 | Synchronizer Cone           | 1    |                        |            | ●             | ●             | ●             |  |  |  |
| 16   | 119.085          | 1296 333 022 | 81 32420 0096 | Synchronizer Ring           | 2    | Old Type               |            | ●             | ●             | ●             |  |  |  |
| 16   | 119.172          | 1296 333 045 | 81 32420 0236 | Synchronizer Ring           | 2    | New Type               |            | ●             | ●             | ●             |  |  |  |
| 17   | 157.113          | 1296 333 002 | 81 32420 0095 | Synchronizer Hub            | 1    |                        |            | ●             | ●             | ●             |  |  |  |
| 17   | 157.183          | 1297 333 115 | 81 32420 0159 | Synchronizer Hub            | 1    | (8)                    |            |               |               | ●             |  |  |  |
| 18   | 160.116          | 1240 304 278 | 81 32510 0005 | Pressure Piece              | 9    |                        |            | ●             | ●             | ●             |  |  |  |
| 19   | 156.036          | 0732 040 386 | 81 97601 0758 | Inner Spring De.3x34        | 9    |                        |            | ●             | ●             | ●             |  |  |  |
| 20   | 156.037          | 0732 040 385 | 81 97601 0757 | Outer Spring De.6x34        | 9    |                        |            | ●             | ●             | ●             |  |  |  |
| 21   | 154.098          | 1296 333 023 | 81 32402 0111 | Sliding Sleeve              | 1    |                        |            | ●             | ●             | ●             |  |  |  |
| 22   | 198.359          | 1295 233 025 | 81 32425 0074 | Synchronizer Cone (36 Spl.) | 1    |                        | ABC        | ●             |               |               |  |  |  |
| 22   | 198.374          | 1313 233 001 | 81 32425 0083 | Synchronizer Cone (38 Spl.) | 1    |                        | D          | ●             |               |               |  |  |  |
| 22   | 198.374          | 1313 233 001 | 81 32425 0083 | Synchronizer Cone (38 Spl.) | 1    |                        |            |               | ●             | ●             |  |  |  |
| 22   | 198.790          | 1297 233 056 | 81 32425 0100 | Synchronizer Cone (41 Spl.) | 1    | (8)                    |            |               |               | ●             |  |  |  |
| 23   |                  | 1297 333 117 |               | Synchronizer Cone           | 1    | With Retarder          | ABC        | ●             |               |               |  |  |  |
| 23   |                  | 1297 333 118 | 81 32301 0809 | Synchronizer Cone           | 1    | With Retarder          | D          | ●             |               |               |  |  |  |
| 23   |                  | 1297 333 118 | 81 32301 0809 | Synchronizer Cone           | 1    | With Retarder          |            |               | ●             | ●             |  |  |  |
| 24   | 130.245          | 0750 116 002 | 81 93410 0046 | Bearing D.90x160x30         | 1    |                        |            | ●             | ●             | ●             |  |  |  |
| 25   |                  | 1296 301 067 | 81 32106 0072 | Cover                       | 1    |                        |            | ●             | ●             |               |  |  |  |
| 25   | 128.098          | 1315 301 220 | 81 32106 0152 | Cover                       | 1    |                        |            | ●             | ●             |               |  |  |  |
| 25   |                  | 1296 301 067 | 81 32106 0072 | Cover                       | 1    |                        |            |               |               | ●             |  |  |  |
| 25   | 128.098          | 1315 301 220 | 81 32106 0152 | Cover                       | 1    | (8)                    |            |               |               | ●             |  |  |  |
| 26   |                  | 0750 111 341 | 81 96503 0236 | Oil Seal 105x130x12         | 1    |                        |            | ●             | ●             |               |  |  |  |
| 27   |                  | 1295 238 003 |               | Output Flange               | 1    | D.165-8 H.             | ABC        | ●             |               |               |  |  |  |
| 27   |                  | 1295 338 061 | 81 39115 0215 | Output Flange               | 1    | D.180-4 H.             | ABC        | ●             |               |               |  |  |  |
| 27   | 197.051          | 1295 338 014 | 81 39115 0171 | Output Flange               | 1    | D.180-10 H.            | ABC        | ●             |               |               |  |  |  |
| 27   |                  | 1295 338 059 | 81 39115 0214 | Output Flange               | 1    | D.180-10 H.            | ABC        | ●             |               |               |  |  |  |
| 27   | 197.074          | 1295 338 016 |               | Output flange               | 1    | D.204-4 H.             | ABC        | ●             |               |               |  |  |  |
| 27   |                  | 1295 338 028 |               | Output Flange               | 1    | D.204-4 H.             | ABC        | ●             |               |               |  |  |  |
| 27   |                  | 1297 338 041 | 81 39115 0224 | Output Flange               | 1    | D.180-4 H.             | D          | ●             |               |               |  |  |  |
| 27   |                  | 1297 338 010 | 81 39115 0178 | Output Flange               | 1    | D.180-10 H.            | D          | ●             |               |               |  |  |  |
| 27   |                  | 1297 338 041 | 81 39115 0224 | Output Flange               | 1    | D.180-4 H.             |            |               | ●             | ●             |  |  |  |
| 27   |                  | 1297 338 038 | 81 39115 0213 | Output Flange               | 1    | D.180-10 H.            |            |               | ●             | ●             |  |  |  |
| 27   |                  | 1297 338 010 | 81 39115 0178 | Output Flange               | 1    | D.180-10 H.            |            |               | ●             | ●             |  |  |  |
| 27   |                  | 1297 333 110 | 81 39115 0289 | Output Flange               | 1    | D.180-4 H. (8)         |            |               |               | ●             |  |  |  |
| 28   | 188.077          | 1295 332 051 | 81 32312 0820 | Stop Washer                 | 1    |                        |            | ●             | ●             | ●             |  |  |  |
| 28   |                  | 1295 332 064 |               | Stop Washer                 | 1    | Only with 1295 238 003 |            | ●             |               |               |  |  |  |
| 28   |                  | 1312 332 028 | 81 90713 0154 | Stop Washer                 | 1    | (8)                    |            |               |               | ●             |  |  |  |
| 29   | 141.068          | 1295 306 132 | 81 32526 0029 | Bronze Slide                | 2    |                        |            | ●             | ●             | ●             |  |  |  |
| 30   |                  | 1295 206 219 |               | Fork                        | 1    |                        |            | ●             |               |               |  |  |  |
| 30   |                  | 1295 206 212 | 81 32518 6024 | Fork                        | 1    |                        |            | ●             |               |               |  |  |  |

## Notes

- (7) Old Type having straight teeth (1st - RG speed) .Use items marked (7) together.  
 (8) New Reinforced Style. Use items marked (8) together

## Date

03 / 2006

## Table

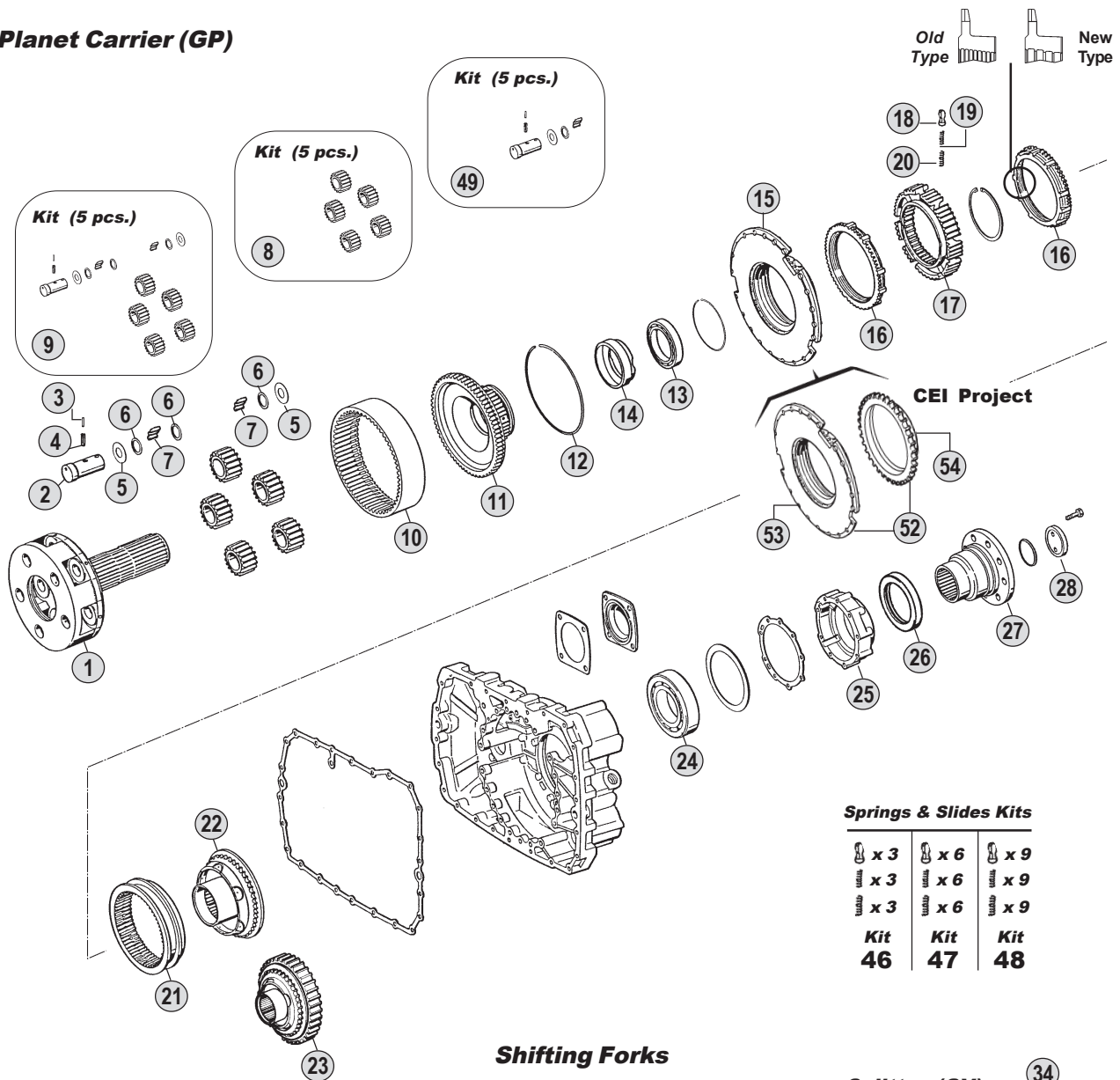
005 / B

All original equipment manufacturers numbers, symbols, pictures, models and description used in this catalogue are for reference only, and it is not implied that any part listed is the product of these manufactures.  
 Tutti i nostri particolari non sono originali ma con essi intercambiabili. I riferimenti originali, le figure, i modelli sono esposti a semplice titolo indicativo. La nostra produzione riporta il nostro marchio.

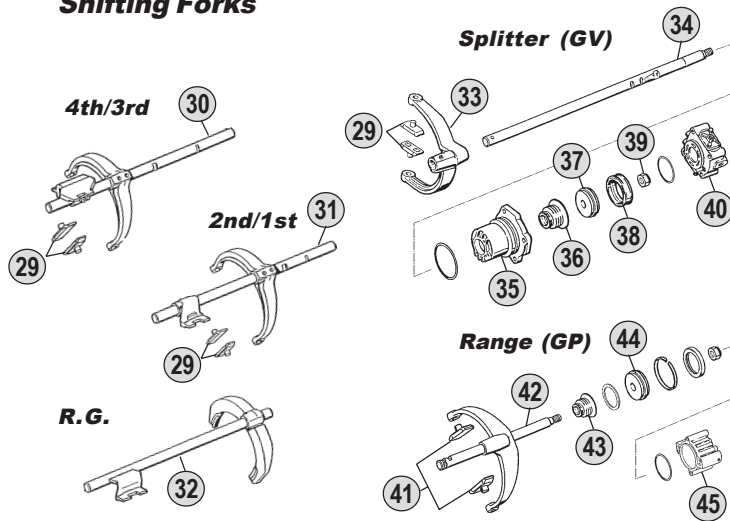
Suitable To : **ZF**

**16S130 - 16S160 - 16S190**

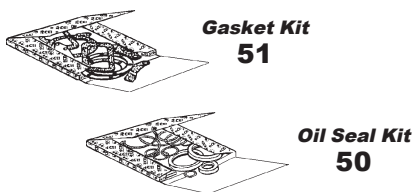
**Planet Carrier (GP)**



**Shifting Forks**



**Kits**



**Ratios**

|               |               |                  |                  |                  |               |
|---------------|---------------|------------------|------------------|------------------|---------------|
| <b>16S130</b> | A :10,14-0,72 | B : 11,46 - 0,85 | C : 13,68 - 1,00 | D : 14,29 - 0,82 | E :--         |
| <b>16S160</b> | A :--         | B : 11,46 - 0,85 | C : 13,68 - 1,00 | D : 14,29 - 0,82 | E :17,06-1,00 |
| <b>16S190</b> | A :--         | B : 11,46 - 0,85 | C : 13,68 - 1,00 | D : 14,29 - 0,82 | E :17,06-1,00 |

All original equipment manufacturers' numbers, symbols, pictures, models and description used in this catalogue are for reference only, and it is not implied that any part listed is the product of these manufactures. Tutti i nostri particolari non sono originali ma con essi intercambiabili. I riferimenti originali, le figure, i modelli sono esposti a semplice titolo indicativo. La nostra produzione riporta il nostro marchio.

16S130 (1286)  
16S160 (1297)  
16S190 (1297)

| Fig. | CEI no. | O.E.M. Reference |               | Description             | Q.ty | Note              | Ratio |               |               |               |  |  |
|------|---------|------------------|---------------|-------------------------|------|-------------------|-------|---------------|---------------|---------------|--|--|
|      |         | ZF no.           | M.A.N. no.    |                         |      |                   |       | 16S130 (1286) | 16S160 (1297) | 16S190 (1297) |  |  |
| 30   | 198.362 | 1295 206 213     | 81 32518 6023 | Fork                    | 1    |                   |       | ●             |               |               |  |  |
| 30   |         | 1297 206 103     |               | Fork                    | 1    |                   |       | ●             | ●             |               |  |  |
| 30   |         | 1297 206 104     | 81 32518 6037 | Fork                    | 1    |                   |       | ●             | ●             |               |  |  |
| 30   |         | 1297 206 192     |               | Fork                    | 1    |                   |       |               | ●             |               |  |  |
| 31   |         | 1295 206 223     |               | Fork                    | 1    |                   |       | ●             |               |               |  |  |
| 31   |         | 1295 206 217     |               | Fork                    | 1    |                   |       | ●             |               |               |  |  |
| 31   |         | 1295 206 214     | 81 32518 6028 | Fork                    | 1    |                   |       | ●             |               |               |  |  |
| 31   |         | 1295 206 215     | 81 32518 0128 | Fork                    | 1    |                   |       | ●             |               |               |  |  |
| 31   |         | 1297 206 106     |               | Fork                    | 1    |                   |       |               | ●             | ●             |  |  |
| 31   |         | 1297 206 105     | 81 32518 6038 | Fork                    | 1    |                   |       |               | ●             | ●             |  |  |
| 31   |         | 1297 206 191     |               | Fork                    | 1    |                   |       |               |               | ●             |  |  |
| 32   |         | 1295 206 250     |               | Fork                    | 1    |                   |       | ●             |               |               |  |  |
| 32   |         | 1295 206 249     |               | Fork                    | 1    |                   |       | ●             |               |               |  |  |
| 32   | 198.360 | 1295 206 255     | 81 32518 0142 | Fork                    | 1    |                   |       | ●             |               |               |  |  |
| 32   |         | 1295 206 254     | 81 32518 0173 | Fork                    | 1    |                   |       | ●             |               |               |  |  |
| 32   |         | 1295 206 059     |               | Fork                    | 1    | (7)               |       | ●             |               |               |  |  |
| 32   |         | 1297 206 174     | 81 32518 0146 | Fork                    | 1    |                   |       |               | ●             | ●             |  |  |
| 32   |         | 1297 206 175     | 81 32518 6039 | Fork                    | 1    |                   |       |               | ●             | ●             |  |  |
| 32   |         | 1297 206 181     |               | Fork                    | 1    |                   |       |               |               | ●             |  |  |
| 33   |         | 1313 312 002     | 81 32516 0119 | Fork                    | 1    |                   |       | ●             | ●             | ●             |  |  |
| 34   | 149.172 | 1295 312 018     | 81 32518 0106 | Selector rod            | 1    |                   |       | ●             |               |               |  |  |
| 34   |         | 1297 312 008     | 81 32518 0132 | Selector Rod            | 1    |                   |       |               | ●             | ●             |  |  |
| 35   | 132.046 | 1296 312 042     | 81 32638 0005 | Cylinder                | 1    |                   |       | ●             | ●             | ●             |  |  |
| 36   | 139.331 | 0750 112 034     | 81 96401 0148 | Cap Collar D.25x38x14,2 | 1    |                   |       | ●             | ●             | ●             |  |  |
| 37   | 189.421 | 1296 312 053     | 81 32639 0014 | Piston                  | 1    |                   |       | ●             | ●             | ●             |  |  |
| 38   |         | 0750 112 089     | 81 96503 0019 | Ring 53x63x16,2         | 1    |                   |       | ●             | ●             | ●             |  |  |
| 39   |         | 0737 006 095     | 81 90501 0188 | Nut                     | 1    |                   |       | ●             | ●             | ●             |  |  |
| 40   |         | 0750 132 032     | 81 52170 6091 | Cylinder                | 1    |                   |       | ●             | ●             | ●             |  |  |
| 40   |         | 0750 132 033     | 81 52170 6095 | Cylinder                | 1    |                   |       | ●             | ●             | ●             |  |  |
| 40   | 280.350 | 1295 212 008     | 81 52170 6067 | Cylinder                | 1    |                   |       | ●             | ●             |               |  |  |
| 40   |         | 1295 212 009     | 81 52170 6075 | Cylinder                | 1    |                   |       |               | ●             |               |  |  |
| 41   | 141.085 | 1296 334 004     | 81 32526 0026 | Bronze Slide            | 2    |                   |       | ●             | ●             | ●             |  |  |
| 42   | 149.171 | 1312 234 002     | 81 32518 6042 | Fork Lever              | 1    |                   |       | ●             | ●             | ●             |  |  |
| 43   | 139.331 | 0750 112 034     | 81 96401 0148 | Cap Collar D.25x38x14,2 | 1    |                   |       | ●             | ●             | ●             |  |  |
| 44   | 189.422 | 1296 334 039     | 81 32639 0019 | Piston                  | 1    |                   |       | ●             | ●             | ●             |  |  |
| 44   |         | 1297 334 056     | 81 32639 0031 | Piston                  | 1    | (8)               |       |               |               | ●             |  |  |
| 45   | 132.047 | 1295 334 075     | 81 32638 0006 | Cylinder                | 1    |                   |       | ●             | ●             | ●             |  |  |
| 45   |         | 1297 334 055     | 81 32638 0014 | Cylinder                | 1    | (8)               |       |               |               | ●             |  |  |
| 46   | 198.339 | 1268 298 938     |               | Spring Slide Set        | 1    |                   |       | ●             | ●             | ●             |  |  |
| 47   | 198.564 | CEI 198564       |               | Spring Slide Set        | 1    |                   |       | ●             | ●             | ●             |  |  |
| 48   | 198.842 | 1295 298 933     |               | Spring Slide Set        | 1    |                   |       | ●             | ●             | ●             |  |  |
| 49   | 198.447 | CEI 198447       |               | Gear Set                | 1    |                   | ABC   | ●             |               |               |  |  |
| 50   | 198.428 | 1295 298 960     | 81 32900 6059 | Oil Seal Ring Kit       | 1    |                   |       | ●             | ●             | ●             |  |  |
| 51   | 198.427 | 1295 298 915     | 81 32900 6008 | Gasket Kit              | 1    |                   |       | ●             | ●             | ●             |  |  |
| 52   | 198.856 | CEI 198856       |               | Synchronizer cone kit   | 1    | Can Repl. fig. 15 |       | ●             | ●             | ●             |  |  |

## Notes

- (7) Old Type having straight teeth (1st - RG speed) .Use items marked (7) together.  
 (8) New Reinforced Style. Use items marked (8) together

## Date

03 / 2006

## Table

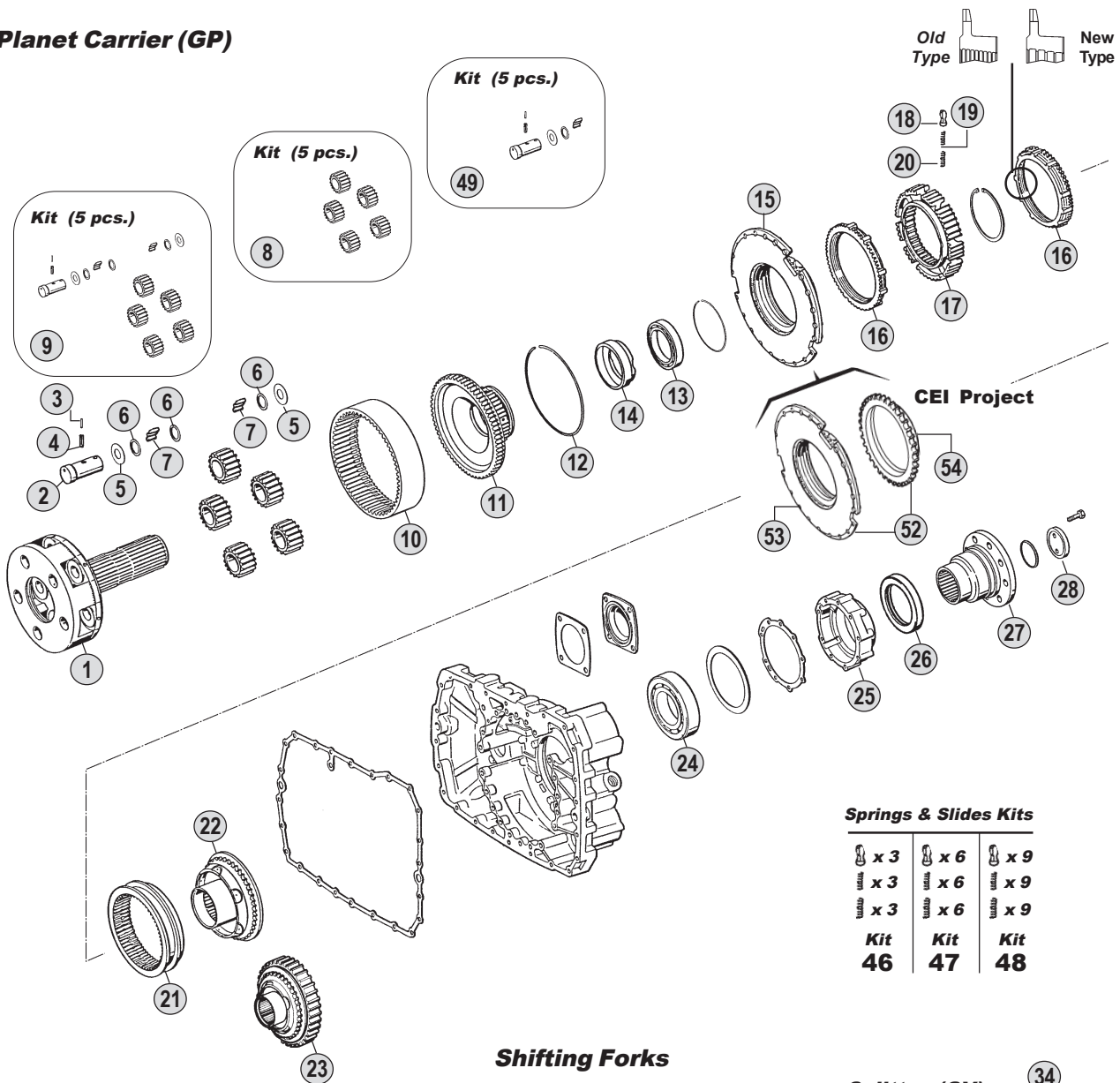
005 / B

All original equipment manufacturers numbers, symbols, pictures, models and description used in this catalogue are for reference only, and it is not implied that any part listed is the product of these manufactures.  
 Tutti i nostri particolari non sono originali ma con essi intercambiabili. I riferimenti originali, le figure, i modelli sono esposti a semplice titolo indicativo. La nostra produzione riporta il nostro marchio.

Suitable To : **ZF**

**16S130 - 16S160 - 16S190**

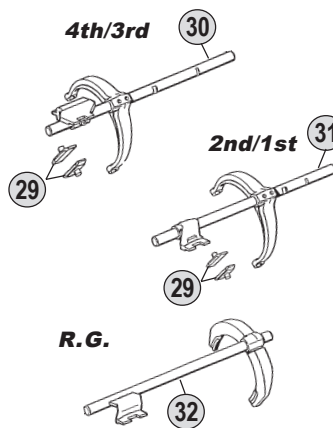
**Planet Carrier (GP)**



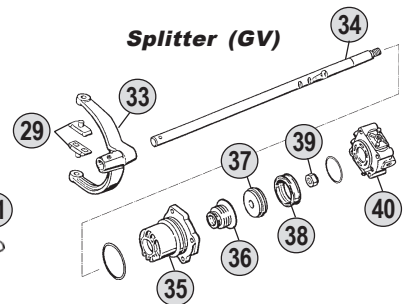
**Kits**



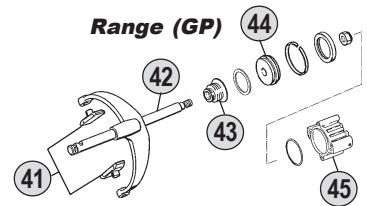
**Shifting Forks**



**Splitter (GV)**



**Range (GP)**



**Ratios**

|               |                |                  |                  |                  |                |
|---------------|----------------|------------------|------------------|------------------|----------------|
| <b>16S130</b> | A : 10,14-0,72 | B : 11,46 - 0,85 | C : 13,68 - 1,00 | D : 14,29 - 0,82 | E : --         |
| <b>16S160</b> | A : --         | B : 11,46 - 0,85 | C : 13,68 - 1,00 | D : 14,29 - 0,82 | E : 17,06-1,00 |
| <b>16S190</b> | A : --         | B : 11,46 - 0,85 | C : 13,68 - 1,00 | D : 14,29 - 0,82 | E : 17,06-1,00 |

All original equipment manufacturers' numbers, symbols, pictures, models and description used in this catalogue are for reference only, and it is not implied that any part listed is the product of these manufactures. Tutti i nostri particolari non sono originali ma con essi intercambiabili. I riferimenti originali, le figure, i modelli sono esposti a semplice titolo indicativo. La nostra produzione riporta il nostro marchio.





suitable to :

**Z.F.****EcoSplit II****From 16S150 to 16S220****Application**

|                 | 16S150<br>(1313) | 16S220<br>(1312) |  |  |
|-----------------|------------------|------------------|--|--|
| <b>MERCEDES</b> |                  |                  |  |  |
| <b>MAN</b>      |                  |                  |  |  |
| <b>IVECO</b>    |                  |                  |  |  |
| <b>RVI</b>      |                  |                  |  |  |
| <b>DAF</b>      |                  |                  |  |  |
| <b>VOLVO</b>    |                  |                  |  |  |

**Ratios**

|               | R.10,14-0,72<br><b>A</b> | R.13,80-0,84<br><b>B</b> | R.16,47-1,00<br><b>C</b> |  |  |
|---------------|--------------------------|--------------------------|--------------------------|--|--|
| <b>16S150</b> |                          |                          |                          |  |  |
| <b>16S220</b> |                          |                          |                          |  |  |
|               |                          |                          |                          |  |  |
|               |                          |                          |                          |  |  |

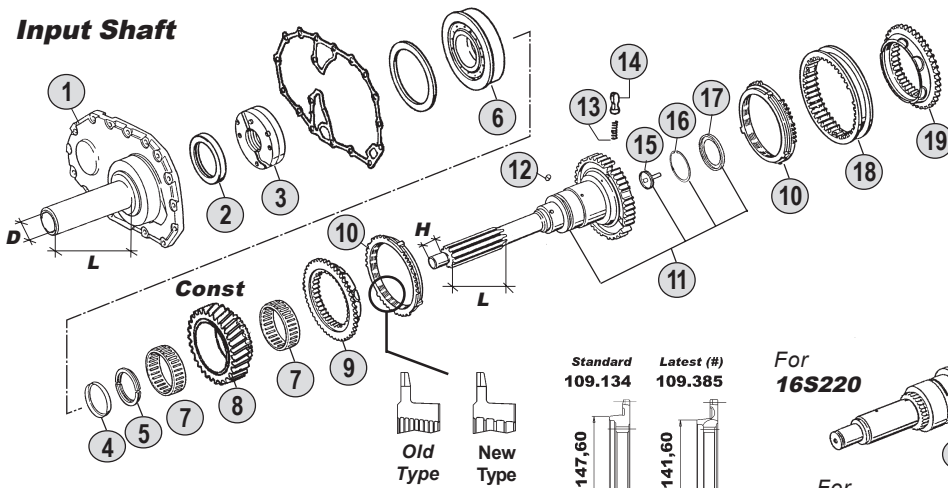
**ECO II**From 16S150  
To 16S220



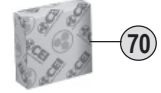
Suitable To : **ZF**

**16S150 - 16S220**

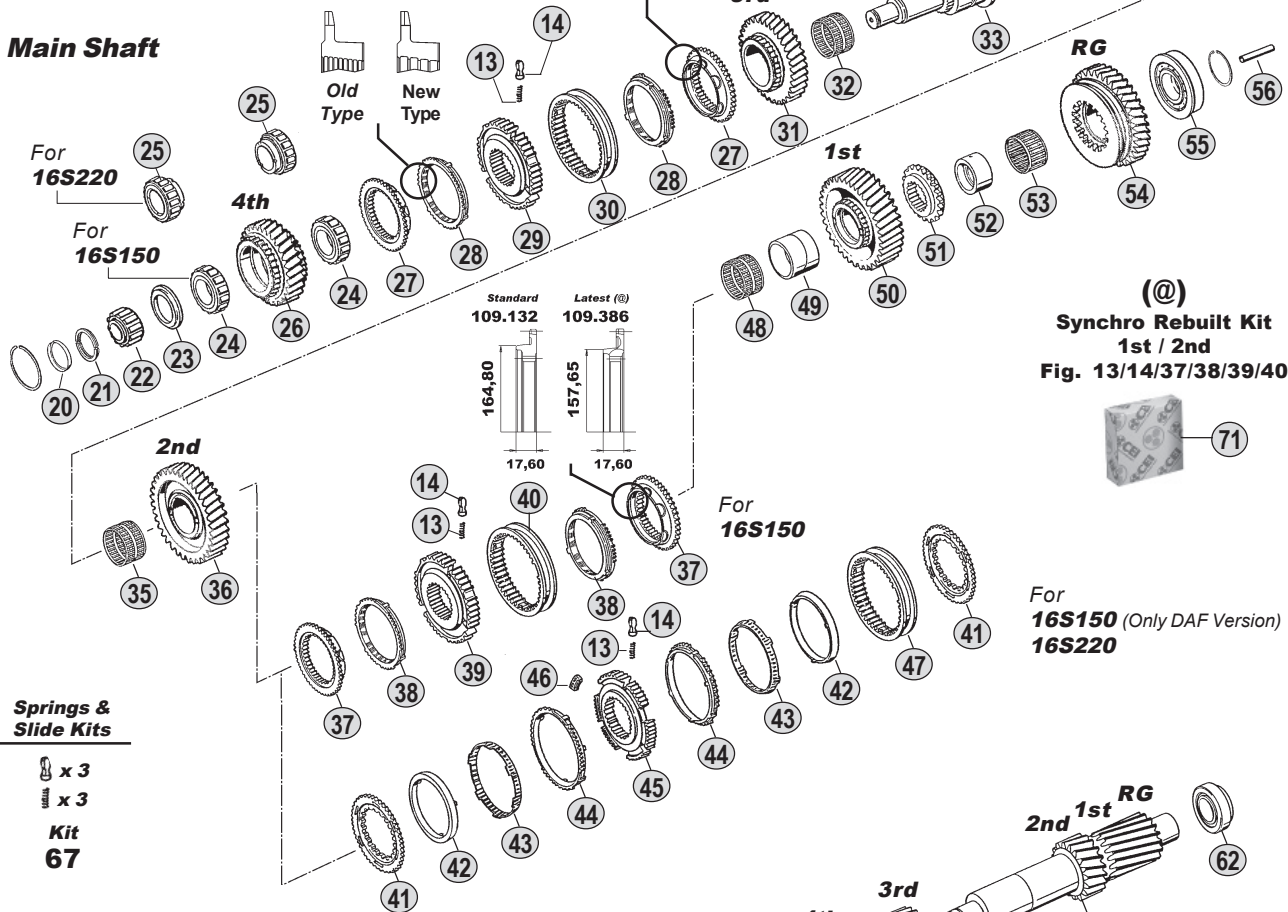
**Input Shaft**



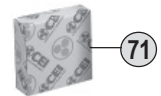
**(#)**  
**Synchro Rebuilt Kit**  
 4th / 3rd  
 Fig. 13/14/27/28/29/30



**Main Shaft**



**(@)**  
**Synchro Rebuilt Kit**  
 1st / 2nd  
 Fig. 13/14/37/38/39/40

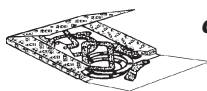


For  
**16S150 (Only DAF Version)**  
**16S220**

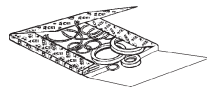
**Springs & Slide Kits**

**x 3**  
**x 3**  
**Kit**  
**67**

**Kits**

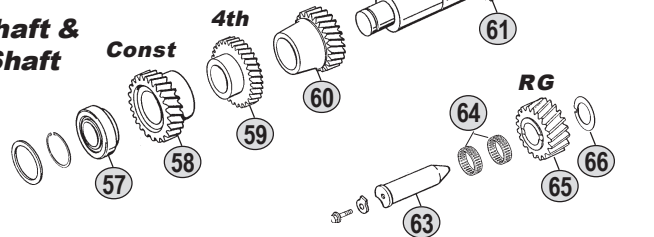


**Gasket Kit**  
**69**



**Oil Seal Kit**  
**68**

**Countershaft & Reverse Shaft**



**Ratios**

|               |              |                 |                 |
|---------------|--------------|-----------------|-----------------|
| <b>16S150</b> | A:--         | B: 13,80 - 0,84 | C: 16,47 - 1,00 |
| <b>16S220</b> | A:10,14-0,72 | B: 13,80 - 0,84 | C: 16,47 - 1,00 |

All original equipment manufacturers' numbers, symbols, pictures, models and description used in this catalogue are for reference only, and it is not implied that any part listed is the product of these manufactures. Tutti i nostri particolari non sono originali ma con essi intercambiabili. I riferimenti originali, le figure, i modelli sono esposti a semplice titolo indicativo. La nostra produzione riporta il nostro marchio.

16S150 (1313)  
16S220 (1312)

| Fig. | CEI no. | O.E.M. Reference |               | Description                | Q.ty | Note                | Ratio |               |               |  |  |  |  |  |
|------|---------|------------------|---------------|----------------------------|------|---------------------|-------|---------------|---------------|--|--|--|--|--|
|      |         | ZF no.           | M.A.N. no.    |                            |      |                     |       | 16S150 (1313) | 16S220 (1312) |  |  |  |  |  |
| 1    |         | 1312 302 036     | 81 32240 0008 | Front Cover                | 1    | L=170-D=60          | ●     | ●             |               |  |  |  |  |  |
| 1    |         | 1312 302 096     | 81 32106 0151 | Front Cover                | 1    | L=147-D=60          | ●     | ●             |               |  |  |  |  |  |
| 2    | 139.754 | 0734 310 386     | 81 96503 0342 | Oil Seal 55x75x8           | 1    |                     | ●     | ●             |               |  |  |  |  |  |
| 2    |         | 0634 310 733     |               | Oil Seal 90x110x13         | 1    | (1)                 | ●     |               |               |  |  |  |  |  |
| 3    | 280.348 | 1295 202 041     | 81 32563 0005 | Oil Pump                   | 1    |                     | ●     | ●             |               |  |  |  |  |  |
| 4    | 169.754 | 0730 061 816     | 81 90820 0141 | Securing Ring              | 1    |                     | ●     | ●             |               |  |  |  |  |  |
| 5    |         | 0730 106 168     | 81 32521 0132 | Split Ring                 | 1    | S.4,30 mm           | ●     | ●             |               |  |  |  |  |  |
| 5    |         | 0730 106 158     | 81 32521 0142 | Split Ring                 | 1    | S.3,80 mm           | ●     | ●             |               |  |  |  |  |  |
| 6    | 130.306 | 0750 117 431     | 81 93420 0252 | Bearing D.75x150x30,50     | 1    |                     | ●     | ●             |               |  |  |  |  |  |
| 7    | 137.148 | 0750 115 310     | 81 93402 0107 | Needle Cage D.93x101x25    | 1    |                     | ●     |               |               |  |  |  |  |  |
| 7    | 137.134 | 0735 321 438     | 82 93402 0023 | Needle Cage D.93x101x32,50 | 1    |                     |       | ●             |               |  |  |  |  |  |
| 8    | 145.557 | 1313 302 036     | 81 32301 0806 | Constant Gear 34 T         | 1    |                     |       | ●             |               |  |  |  |  |  |
| 8    | 145.525 | 1313 302 035     |               | Constant Gear 30 T         | 1    |                     |       | ●             |               |  |  |  |  |  |
| 8    |         | 1312 302 077     |               | Constant Gear 28 T         | 1    |                     |       |               | ●             |  |  |  |  |  |
| 8    | 145.491 | 1312 302 073     | 81 32301 0802 | Constant Gear 34 T         | 1    |                     |       |               | ●             |  |  |  |  |  |
| 8    | 145.490 | 1312 302 074     |               | Constant Gear 30 T         | 1    |                     |       |               | ●             |  |  |  |  |  |
| 9    | 109.134 | 1312 304 027     | 81 32425 0092 | Synchronizer Cone          | 1    |                     | ●     | ●             |               |  |  |  |  |  |
| 10   | 119.119 | 1297 304 402     | 81 32420 0146 | Synchronizer Ring          | 2    | Old Type            | ●     | ●             |               |  |  |  |  |  |
| 10   | 119.167 | 1297 304 484     | 81 32420 0230 | Synchronizer Ring          | 2    | New Type            | ●     | ●             |               |  |  |  |  |  |
| 11   | 102.234 | 1313 202 013     | 81 32205 0222 | Input shaft                | 1    |                     | ●     |               |               |  |  |  |  |  |
| 11   |         | 1313 202 016     | 81 32205 0225 | Input Shaft                | 1    |                     | ●     |               |               |  |  |  |  |  |
| 11   |         | 1313 221 004     | 81 32205 0224 | Input Shaft                | 1    | NMV130 (Clutch PTO) | ●     |               |               |  |  |  |  |  |
| 11   | 102.244 | 1312 202 037     | 81 32205 0218 | Input Shaft                | 1    |                     |       | ●             |               |  |  |  |  |  |
| 11   | 102.243 | 1312 202 039     | 81 32205 0219 | Input shaft                | 1    |                     |       | ●             |               |  |  |  |  |  |
| 12   |         | 0635 470 012     | 06 32540 0118 | Pin                        | 1    |                     | ●     | ●             |               |  |  |  |  |  |
| 13   | 156.140 | 0732 040 409     | 81 97601 0895 | Spring D.6,50x23,50        | 3    |                     | ●     | ●             |               |  |  |  |  |  |
| 14   | 160.189 | 1297 304 436     | 81 32510 0013 | Pressure Piece             | 3    |                     | ●     | ●             |               |  |  |  |  |  |
| 15   |         | 1312 302 095     | 81 32562 0165 | Tube                       | 1    |                     | ●     | ●             |               |  |  |  |  |  |
| 16   | 189.631 | 0630 502 027     |               | Ring                       | 1    |                     | ●     | ●             |               |  |  |  |  |  |
| 17   | 189.632 | 0501 320 435     | 81 32313 0414 | Diaphragm                  | 1    |                     | ●     | ●             |               |  |  |  |  |  |
| 18   | 154.135 | 1310 304 202     | 81 32402 0197 | Sliding Sleeve             | 1    |                     | ●     | ●             |               |  |  |  |  |  |
| 19   | 109.133 | 1312 304 056     | 81 32425 0093 | Synchronizer Cone          | 1    |                     | ●     | ●             |               |  |  |  |  |  |
| 20   |         | 0730 062 781     | 81 90820 0429 | Ring                       | 1    |                     | ●     | ●             |               |  |  |  |  |  |
| 21   |         | 0730 107 023     | 81 32521 0146 | Split Ring                 | 1    | S.5,00 mm           | ●     | ●             |               |  |  |  |  |  |
| 21   |         | 0730 107 019     | 81 32521 0150 | Split Ring                 | 1    | S.4,60 mm           | ●     | ●             |               |  |  |  |  |  |
| 22   | 137.150 | 0750 117 232     | 81 93501 0080 | Roller Cage D.42x40,30     | 1    |                     | ●     | ●             |               |  |  |  |  |  |
| 23   |         | 1315 304 051     | 81 32313 0108 | Ring                       | 1    | S.8,30 mm           | ●     | ●             |               |  |  |  |  |  |
| 24   | 137.156 | 0750 118 198     | 81 93420 0242 | Roller Cage D.67x101x32    | 1    |                     | ●     |               |               |  |  |  |  |  |
| 25   |         | 0750 118 258     | 81 93420 0269 | Roller Cage D.67x101x38    | 1    |                     |       | ●             |               |  |  |  |  |  |
| 26   | 146.476 | 1313 304 005     | 81 32301 0720 | Gear 4th Speed 30 T        | 1    |                     |       | ●             |               |  |  |  |  |  |
| 26   | 146.442 | 1296 304 131     |               | Gear 4th Speed 34 T        | 1    |                     |       | ●             |               |  |  |  |  |  |
| 26   |         | 1312 304 029     |               | Gear 4th Speed 30T         | 1    | (2)                 |       |               | ●             |  |  |  |  |  |
| 26   | 146.425 | 1312 304 032     | 81 32301 0799 | Gear 4th Speed 30 T        | 1    |                     |       |               | ●             |  |  |  |  |  |
| 26   | 146.317 | 1312 304 031     |               | Gear 4th Speed 34 T        | 1    |                     |       |               | ●             |  |  |  |  |  |
| 27   | 109.134 | 1312 304 027     | 81 32425 0092 | Synchronizer Cone          | 2    |                     | ●     | ●             |               |  |  |  |  |  |

ECO II  
From 16S150  
To 16S220

## Notes

- (1) Only for input Shaft 1313 221 004  
 (2) 16S220 Special Version - Ratio 10,14-0,72. For this version to use :  
 4th Speed - Synchro Cone 1312 304 027 / 3rd Speed Synchro - Cone 1312 304 080  
 (#) Latest Synchro generation. **DO NO MIX** the two different version. To update the previous one use the **synchro rebuilt kit fig. 70**  
 (©) Latest Synchro generation. **DO NO MIX** the two different version. To update the previous one use the **synchro rebuilt kit fig. 71**

## Date

03 / 2006

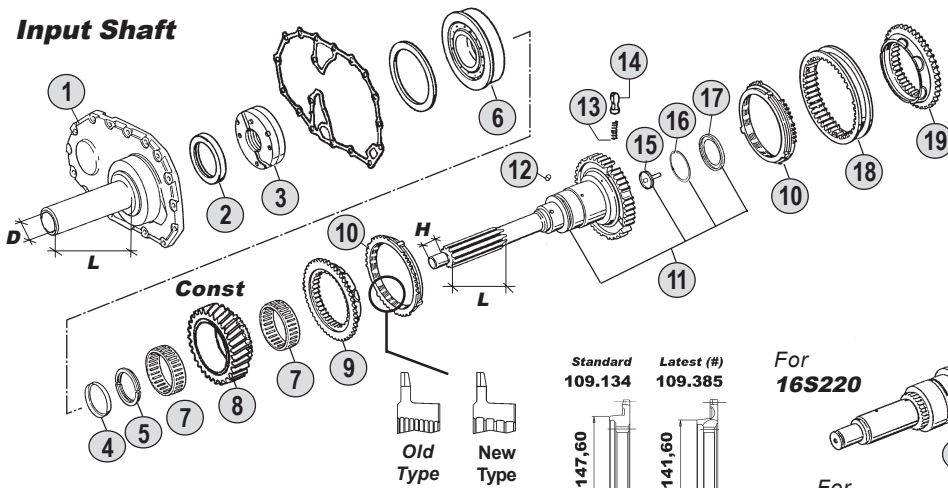
## Table

006 / A

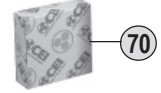
Suitable To : **ZF**

**16S150 - 16S220**

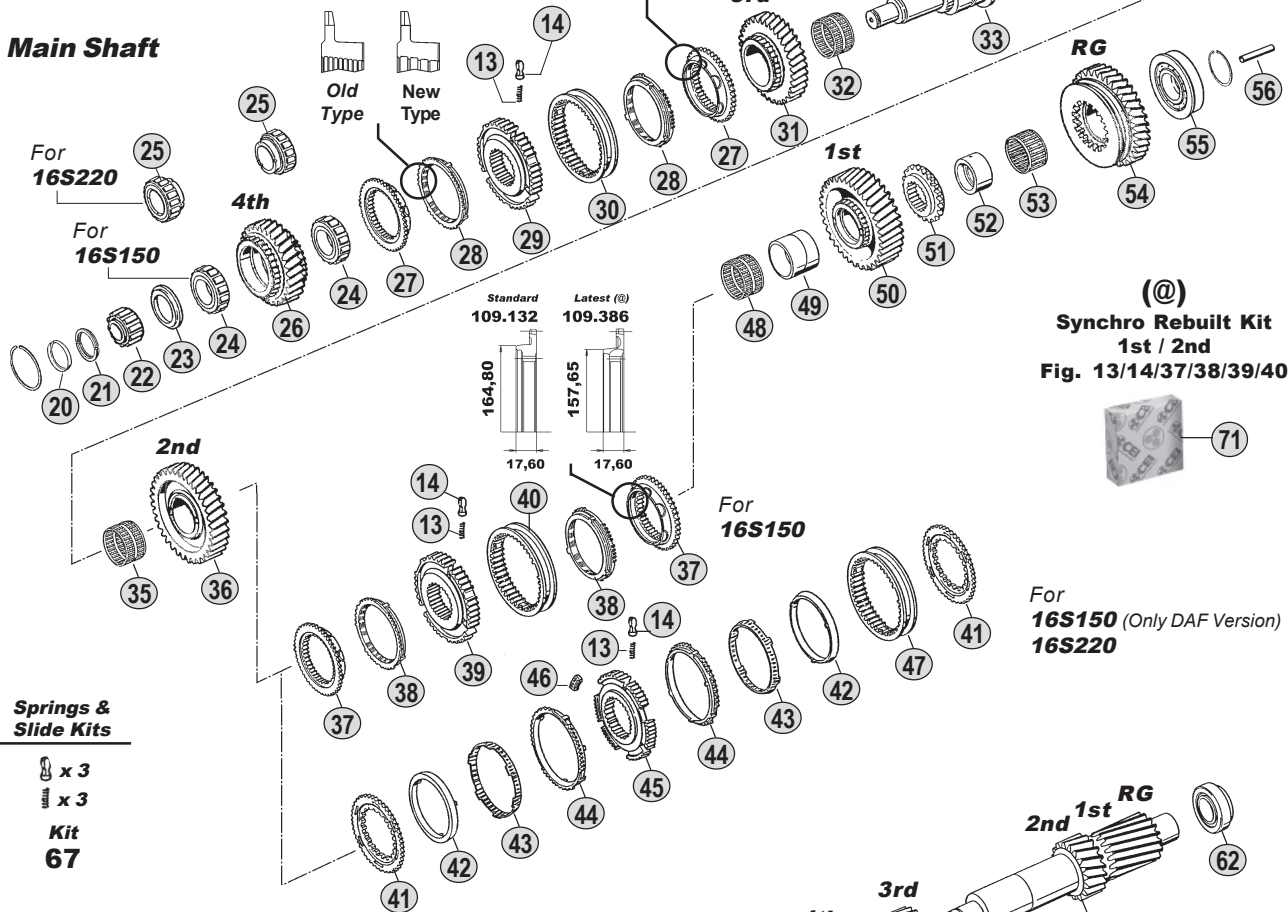
**Input Shaft**



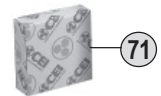
(#)  
**Synchro Rebuilt Kit**  
4th / 3rd  
Fig. 13/14/27/28/29/30



**Main Shaft**



(@)  
**Synchro Rebuilt Kit**  
1st / 2nd  
Fig. 13/14/37/38/39/40

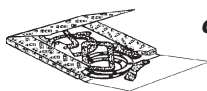


For  
**16S150 (Only DAF Version)**  
**16S220**

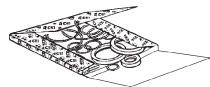
**Springs & Slide Kits**

- x 3
- x 3
- Kit 67**

**Kits**

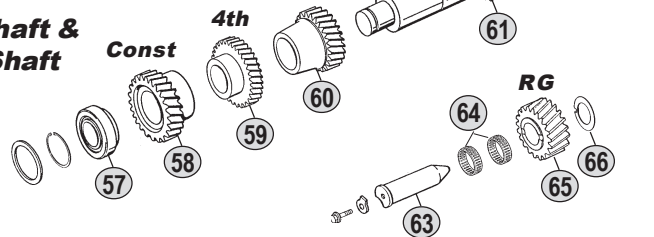


**Gasket Kit 69**



**Oil Seal Kit 68**

**Countershaft & Reverse Shaft**



**Ratios**

|               |              |                 |                 |
|---------------|--------------|-----------------|-----------------|
| <b>16S150</b> | A:--         | B: 13,80 - 0,84 | C: 16,47 - 1,00 |
| <b>16S220</b> | A:10,14-0,72 | B: 13,80 - 0,84 | C: 16,47 - 1,00 |

All original equipment manufacturers' numbers, symbols, pictures, models and description used in this catalogue are for reference only, and it is not implied that any part listed is the product of these manufactures. Tutti i nostri particolari non sono originali ma con essi intercambiabili. I riferimenti originali, le figure, i modelli sono esposti a semplice titolo indicativo. La nostra produzione riporta il nostro marchio.

16S150 (1313)  
16S220 (1312)

| Fig. | CEI no. | O.E.M. Reference |               | Description             | Q.ty | Note     | Ratio |               |               |  |  |  |  |
|------|---------|------------------|---------------|-------------------------|------|----------|-------|---------------|---------------|--|--|--|--|
|      |         | ZF no.           | M.A.N. no.    |                         |      |          |       | 16S150 (1313) | 16S220 (1312) |  |  |  |  |
| 27   | 109.385 | 1316 304 159     |               | Synchronizer cone       | 2    |          | (#)   | ●             | ●             |  |  |  |  |
| 28   | 119.119 | 1297 304 402     | 81 32420 0146 | Synchronizer Ring       | 2    | Old Type |       | ●             | ●             |  |  |  |  |
| 28   | 119.167 | 1297 304 484     | 81 32420 0230 | Synchronizer Ring       | 2    | New Type |       | ●             | ●             |  |  |  |  |
| 28   | 119.217 | 1316 304 149     |               | Synchronizer ring       | 2    |          | (#)   | ●             | ●             |  |  |  |  |
| 29   | 157.180 | 1312 304 052     | 81 32420 0151 | Synchronizer Hub        | 1    |          |       | ●             | ●             |  |  |  |  |
| 29   | 157.227 | 1316 304 162     |               | Synchronizer hub        | 1    |          | (#)   | ●             | ●             |  |  |  |  |
| 30   | 154.135 | 1310 304 202     | 81 32402 0197 | Sliding Sleeve          | 1    |          |       | ●             | ●             |  |  |  |  |
| 30   | 154.357 | 1315 304 135     |               | Sliding sleeve          | 1    |          | (#)   | ●             | ●             |  |  |  |  |
| 31   | 145.496 | 1313 304 080     | 81 32301 0808 | Gear 3rd Speed 32 T     | 1    |          | B     | ●             |               |  |  |  |  |
| 31   | 145.526 | 1313 304 081     |               | Gear 3rd Speed 34 T     | 1    |          | C     | ●             |               |  |  |  |  |
| 31   |         | 1312 304 075     |               | Gear 3rd Speed 25 T     | 1    | (2)      | A     |               | ●             |  |  |  |  |
| 31   | 145.498 | 1312 304 137     | 81 32301 0812 | Gear 3rd Speed 32 T     | 1    |          | B     |               | ●             |  |  |  |  |
| 31   | 145.497 | 1312 304 136     |               | Gear 3rd Speed 34 T     | 1    |          | C     |               | ●             |  |  |  |  |
| 32   | 137.137 | 0735 321 087     | 81 93402 0108 | Needle Cage D.92x100x53 | 1    |          |       | ●             |               |  |  |  |  |
| 32   | 137.112 | 0735 320 451     | 81 93402 0098 | Needle Cage D.82x90x60  | 1    |          | A     |               | ●             |  |  |  |  |
| 32   | 137.138 | 0750 115 303     | 81 93402 0115 | Needle Cage D.92x100x63 | 1    |          | BC    |               | ●             |  |  |  |  |
| 33   | 103.135 | 1315 304 130     | 81 32202 0103 | Main Shaft              | 1    |          |       | ●             |               |  |  |  |  |
| 34   |         | 1312 304 161     |               | Main Shaft              | 1    |          | A     |               | ●             |  |  |  |  |
| 34   | 103.128 | 1316 304 130     | 81 32202 0107 | Main Shaft              | 1    |          | BC    |               | ●             |  |  |  |  |
| 35   | 137.137 | 0735 321 087     | 81 93402 0108 | Needle Cage D.92x100x53 | 1    |          |       | ●             |               |  |  |  |  |
| 35   | 137.138 | 0750 115 303     | 81 93402 0115 | Needle Cage D.92x100x63 | 1    |          |       |               | ●             |  |  |  |  |
| 36   | 145.502 | 1313 304 078     | 81 32301 0807 | Gear 2nd Speed 37 T     | 1    |          | B     | ●             |               |  |  |  |  |
| 36   | 145.527 | 1313 304 077     |               | Gear 2nd Speed 38 T     | 1    |          | C     | ●             |               |  |  |  |  |
| 36   |         | 1312 304 142     |               | Gear 2nd Speed          | 1    |          | A     |               | ●             |  |  |  |  |
| 36   | 145.504 | 1312 304 141     | 81 32301 0803 | Gear 2nd Speed 37 T     | 1    |          | B     |               | ●             |  |  |  |  |
| 36   | 145.503 | 1312 304 139     |               | Gear 2nd Speed 38 T     | 1    |          | C     |               | ●             |  |  |  |  |
| 37   | 109.132 | 1313 304 009     | 81 32425 0094 | Synchronizer Cone       | 2    |          |       | ●             |               |  |  |  |  |
| 37   | 109.386 | 1316 304 156     |               | Synchronizer Cone       | 2    |          | (@)   | ●             |               |  |  |  |  |
| 38   | 119.122 | 1297 304 401     | 81 32420 0148 | Synchronizer Ring       | 2    | Old Type |       | ●             |               |  |  |  |  |
| 38   | 119.166 | 1297 304 485     | 81 32420 0241 | Synchronizer Ring       | 2    | New Type |       | ●             |               |  |  |  |  |
| 38   | 119.218 | 1316 304 150     |               | Synchronizer Ring       | 2    |          | (@)   | ●             |               |  |  |  |  |
| 39   | 157.189 | 1313 304 008     | 81 32420 0149 | Synchronizer Hub        | 1    |          |       | ●             |               |  |  |  |  |
| 39   | 157.228 | 1316 304 163     |               | Synchronizer Hub        | 1    |          | (@)   | ●             |               |  |  |  |  |
| 40   | 154.202 | 1316 304 078     | 81 32402 0189 | Sliding Sleeve          | 1    |          |       | ●             |               |  |  |  |  |
| 40   | 154.358 | 1315 304 136     |               | Sliding Sleeve          | 1    |          | (@)   | ●             |               |  |  |  |  |
| 41   |         | 1312 304 092     |               | Synchronizer Cone       | 2    |          | A     |               | ●             |  |  |  |  |
| 41   | 109.176 | 1312 304 106     | 81 32425 0103 | Synchronizer Cone       | 2    |          | BC    |               | ●             |  |  |  |  |
| 42   | 119.152 | 1268 304 424     | 81 32420 0163 | Intermediate Ring       | 2    |          |       | ●             |               |  |  |  |  |
| 43   | 119.153 | 1268 304 494     | 81 30120 0051 | Intermediate Cone       | 2    |          |       | ●             |               |  |  |  |  |
| 44   | 119.144 | 1268 304 525     | 81 32420 0161 | Synchronizer Ring       | 2    |          |       | ●             |               |  |  |  |  |
| 45   | 157.181 | 1312 304 158     | 81 32420 0181 | Synchronizer Hub        | 1    |          |       | ●             |               |  |  |  |  |
| 46   | 156.176 | 1312 304 159     | 81 38108 0005 | Pad                     | 3    |          |       | ●             |               |  |  |  |  |
| 47   | 154.190 | 1310 304 175     | 81 32402 0191 | Sliding Sleeve          | 1    |          |       | ●             |               |  |  |  |  |
| 48   | 137.160 | 0750 115 325     | 81 93402 0109 | Needle Cage D.96x104x55 | 1    |          |       | ●             |               |  |  |  |  |
| 48   |         | 0750 115 304     |               | Needle Cage D.92x100x72 | 1    |          | A     |               | ●             |  |  |  |  |

ECO II  
From 16S150  
To 16S220

## Notes

- (1) Only for input Shaft 1313 221 004  
(2) 16S220 Special Version - Ratio 10,14-0,72. For this version to use :  
4th Speed - Synchro Cone 1312 304 027 / 3rd Speed Synchro - Cone 1312 304 080  
(#)**Latest** Synchro generation. **DO NO MIX** the two different version. To update the previous one use the **synchro rebuilt kit fig. 70**  
(@)**Latest** Synchro generation. **DO NO MIX** the two different version. To update the previous one use the **synchro rebuilt kit fig. 71**

## Date

03 / 2006

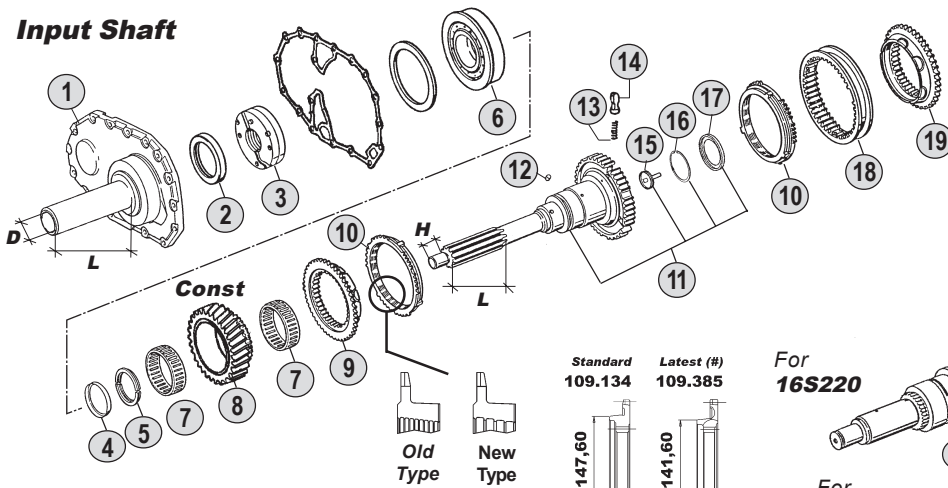
## Table

006 / A

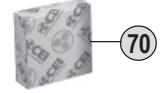
Suitable To : **ZF**

**16S150 - 16S220**

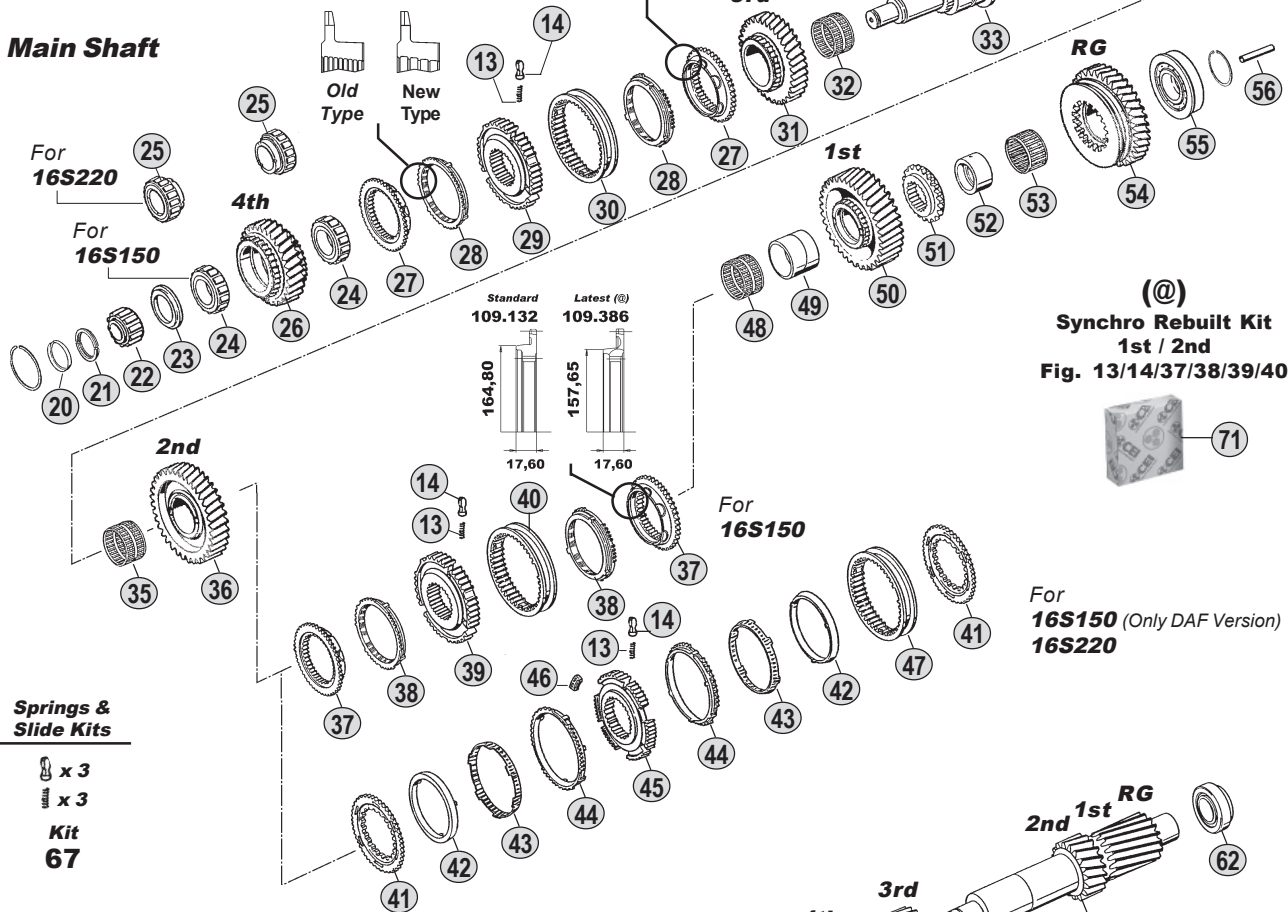
**Input Shaft**



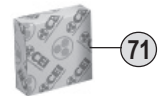
**(#)**  
Synchro Rebuilt Kit  
4th / 3rd  
Fig. 13/14/27/28/29/30



**Main Shaft**



**(@)**  
Synchro Rebuilt Kit  
1st / 2nd  
Fig. 13/14/37/38/39/40

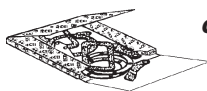


For  
**16S150 (Only DAF Version)**  
**16S220**

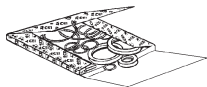
**Springs & Slide Kits**

- x 3
- x 3
- Kit 67**

**Kits**

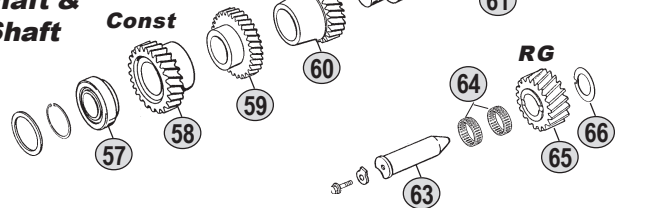


**Gasket Kit 69**



**Oil Seal Kit 68**

**Countershaft & Reverse Shaft**



**Ratios**

|               |                 |                 |                 |
|---------------|-----------------|-----------------|-----------------|
| <b>16S150</b> | A:--            | B: 13,80 - 0,84 | C: 16,47 - 1,00 |
| <b>16S220</b> | A: 10,14 - 0,72 | B: 13,80 - 0,84 | C: 16,47 - 1,00 |

All original equipment manufacturers' numbers, symbols, pictures, models and description used in this catalogue are for reference only, and it is not implied that any part listed is the product of these manufactures. Tutti i nostri particolari non sono originali ma con essi intercambiabili. I riferimenti originali, le figure, i modelli sono esposti a semplice titolo indicativo. La nostra produzione riporta il nostro marchio.

| Fig. | CEI no. | O.E.M. Reference |               | Description               | Q.ty | Note | Ratio |               |               |  |  |  |  |  |
|------|---------|------------------|---------------|---------------------------|------|------|-------|---------------|---------------|--|--|--|--|--|
|      |         | ZF no.           | M.A.N. no.    |                           |      |      |       | 16S150 (1313) | 16S220 (1312) |  |  |  |  |  |
| 48   | 137.151 | 0750 115 327     | 81 93402 0116 | Needle Cage D.96x104x72   | 1    |      | BC    | ●             |               |  |  |  |  |  |
| 49   | 117.294 | 1313 304 038     | 81 93021 0106 | Bush                      | 1    |      |       | ●             |               |  |  |  |  |  |
| 49   |         | 1312 304 008     |               | Bush                      | 1    |      | A     | ●             |               |  |  |  |  |  |
| 49   | 117.310 | 1312 304 084     | 81 93021 0143 | Bush D.85x96x72           | 1    |      | BC    | ●             |               |  |  |  |  |  |
| 50   | 145.508 | 1313 304 039     | 81 32301 0717 | Gear 1st Speed 44 T       | 1    |      | B     | ●             |               |  |  |  |  |  |
| 50   | 145.528 | 1313 304 070     |               | Gear 1st Speed            | 1    |      | C     | ●             |               |  |  |  |  |  |
| 50   |         | 1312 304 077     |               | Gear 1st Speed 34 T       | 1    |      | A     | ●             |               |  |  |  |  |  |
| 50   | 145.509 | 1312 304 086     | 81 32301 0796 | Gear 1st Speed 44 T       | 1    |      | B     | ●             |               |  |  |  |  |  |
| 50   | 145.510 | 1312 304 085     |               | Gear 1st Speed 47 T       | 1    |      | C     | ●             |               |  |  |  |  |  |
| 51   | 109.177 | 1313 304 037     | 81 32425 0095 | Engaging Ring             | 1    |      |       | ●             |               |  |  |  |  |  |
| 51   |         | 1312 304 037     |               | Engaging Ring             | 1    |      | A     | ●             |               |  |  |  |  |  |
| 51   | 109.181 | 1312 304 083     | 81 32425 0101 | Engaging Ring             | 1    |      | BC    | ●             |               |  |  |  |  |  |
| 52   | 117.293 | 1315 304 132     | 81 93021 0383 | Bush                      | 1    |      |       | ●             |               |  |  |  |  |  |
| 52   |         | 1312 304 011     |               | Bush                      | 1    |      | A     | ●             |               |  |  |  |  |  |
| 52   | 117.311 | 1316 304 133     | 81 93021 0388 | Bush D.80x90x50           | 1    |      | BC    | ●             |               |  |  |  |  |  |
| 53   | 137.162 | 0750 115 324     | 81 93402 0110 | Roller Cage D.90x98x41    | 1    |      |       | ●             |               |  |  |  |  |  |
| 53   |         | 0735 321 103     |               | Roller Cage D.77x85x50    | 1    |      | A     | ●             |               |  |  |  |  |  |
| 53   | 137.140 | 0750 115 326     | 81 93402 0117 | Roller Cage D.90x98x50    | 1    |      | BC    | ●             |               |  |  |  |  |  |
| 54   | 147.137 | 1313 304 042     | 81 32301 0718 | Reverse Gear 39 T         | 1    |      | B     | ●             |               |  |  |  |  |  |
| 54   | 147.147 | 1313 304 041     |               | Reverse Gear 38 T         | 1    |      | C     | ●             |               |  |  |  |  |  |
| 54   |         | 1312 304 078     |               | Reverse Gear 39 T         | 1    |      | A     | ●             |               |  |  |  |  |  |
| 54   | 147.141 | 1312 304 088     | 81 32301 0797 | Reverse Gear 39 T         | 1    |      | B     | ●             |               |  |  |  |  |  |
| 54   | 147.139 | 1312 304 087     |               | Reverse Gear 38 T         | 1    |      | C     | ●             |               |  |  |  |  |  |
| 55   | 130.309 | 0750 117 677     | 81 93420 0312 | Bearing D.80x130x36       | 1    |      |       | ●             |               |  |  |  |  |  |
| 55   |         | 0750 117 233     |               | Bearing D.65x140x36,5     | 1    |      | A     | ●             |               |  |  |  |  |  |
| 55   | 130.304 | 0750 117 678     | 06 32499 0191 | Bearing D.80x140x36,50    | 1    |      | BC    | ●             |               |  |  |  |  |  |
| 56   | 188.209 | 1312 304 150     | 81 32562 0146 | Oil Tube                  | 1    |      |       | ●             | ●             |  |  |  |  |  |
| 57   | 130.242 | 0750 117 010     | 81 93420 0132 | Bearing D.50,80x100x35    | 1    |      |       | ●             |               |  |  |  |  |  |
| 57   | 130.308 | 0750 117 009     | 81 93420 0187 | Bearing D.49,2x103,1x43,6 | 1    |      |       | ●             |               |  |  |  |  |  |
| 58   | 146.475 | 1313 303 004     | 81 32301 0715 | Constant Gear 37 T        | 1    |      | B     | ●             |               |  |  |  |  |  |
| 58   | 146.443 | 1296 303 037     |               | Constant Gear 39 T        | 1    |      | C     | ●             |               |  |  |  |  |  |
| 58   |         | 1312 303 003     |               | Constant Gear 34 T        | 1    |      | A     | ●             |               |  |  |  |  |  |
| 58   | 146.411 | 1312 303 006     | 81 32301 0792 | Constant Gear 37 T        | 1    |      | B     | ●             |               |  |  |  |  |  |
| 58   | 146.412 | 1312 303 005     |               | Constant Gear 39 T        | 1    |      | C     | ●             |               |  |  |  |  |  |
| 59   | 146.414 | 1313 303 003     | 81 32301 0714 | Gear 4th Speed 39 T       | 1    |      | B     | ●             |               |  |  |  |  |  |
| 59   | 146.444 | 1296 303 036     |               | Gear 4th Speed 37 T       | 1    |      | C     | ●             |               |  |  |  |  |  |
| 59   |         | 1312 303 014     |               | Gear 4th Speed 31 T       | 1    |      | A     | ●             |               |  |  |  |  |  |
| 59   | 146.417 | 1312 303 017     | 81 32301 0793 | Gear 4th Speed 39 T       | 1    |      | B     | ●             |               |  |  |  |  |  |
| 59   | 146.418 | 1312 303 016     |               | Gear 4th Speed 37 T       | 1    |      | C     | ●             |               |  |  |  |  |  |
| 60   | 146.420 | 1313 303 002     | 81 32301 0713 | Gear 3rd Speed 28 T       | 1    |      | B     | ●             |               |  |  |  |  |  |
| 60   | 146.445 | 1296 303 035     |               | Gear 3rd Speed 26 T       | 1    |      | C     | ●             |               |  |  |  |  |  |
| 60   |         | 1312 303 036     |               | Gear 3rd Speed 36 T       | 1    |      | A     | ●             |               |  |  |  |  |  |
| 60   | 146.423 | 1312 303 020     | 81 32301 0794 | Gear 3rd Speed 28 T       | 1    |      | B     | ●             |               |  |  |  |  |  |
| 60   | 146.424 | 1312 303 021     |               | Gear 3rd Speed 26 T       | 1    |      | C     | ●             |               |  |  |  |  |  |
| 61   | 105.106 | 1313 303 010     | 81 32206 0073 | Countershaft 19-23 T      | 1    |      | B     | ●             |               |  |  |  |  |  |

## Notes

- (1) Only for input Shaft 1313 221 004  
(2) 16S220 Special Version - Ratio 10,14-0,72. For this version to use :  
4th Speed - Synchro Cone 1312 304 027 / 3rd Speed Synchro - Cone 1312 304 080  
(#) Latest Synchro generation. **DO NO MIX** the two different version. To update the previous one use the **synchro rebuilt kit fig. 70**  
(®) Latest Synchro generation. **DO NO MIX** the two different version. To update the previous one use the **synchro rebuilt kit fig. 71**

## Date

03 / 2006

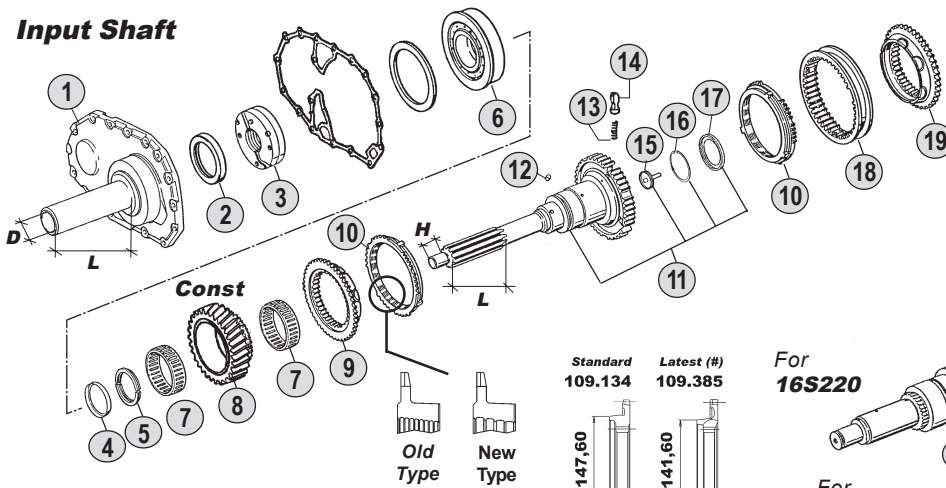
## Table

006 / A

Suitable To : **ZF**

**16S150 - 16S220**

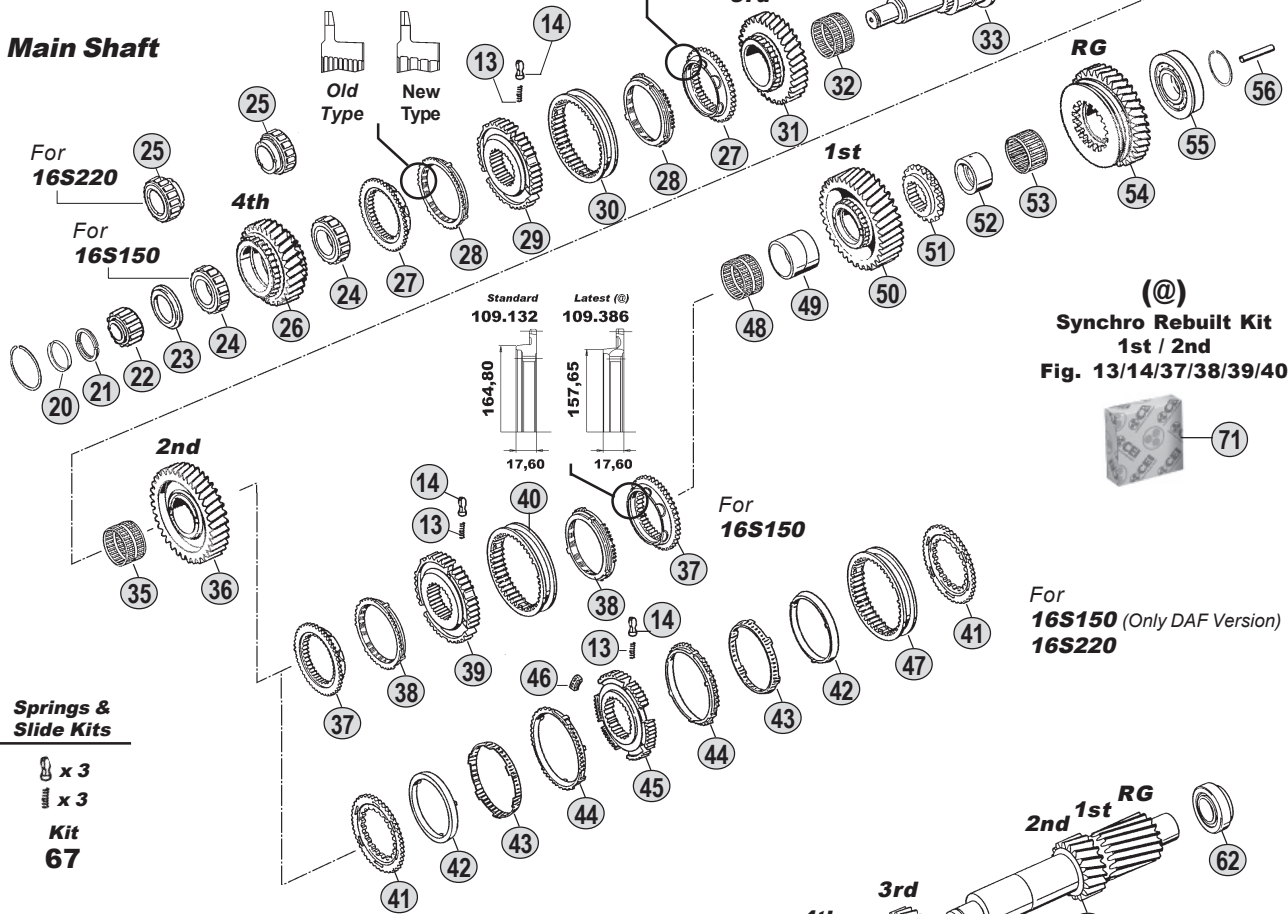
**Input Shaft**



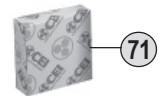
(#)  
**Synchro Rebuilt Kit**  
 4th / 3rd  
 Fig. 13/14/27/28/29/30



**Main Shaft**



(@)  
**Synchro Rebuilt Kit**  
 1st / 2nd  
 Fig. 13/14/37/38/39/40



For  
**16S150 (Only DAF Version)**  
**16S220**

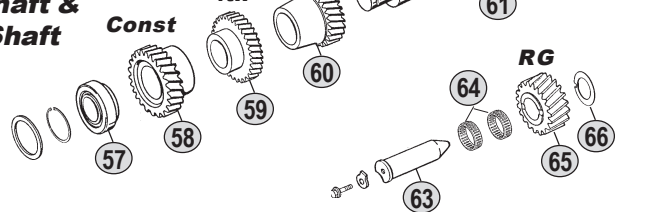
**Springs & Slide Kits**

x 3  
 x 3  
**Kit 67**

**Kits**



**Countershaft & Reverse Shaft**



**Ratios**

|               |              |                 |                 |
|---------------|--------------|-----------------|-----------------|
| <b>16S150</b> | A:--         | B: 13,80 - 0,84 | C: 16,47 - 1,00 |
| <b>16S220</b> | A:10,14-0,72 | B: 13,80 - 0,84 | C: 16,47 - 1,00 |



All original equipment manufacturers' numbers, symbols, pictures, models and description used in this catalogue are for reference only, and it is not implied that any part listed is the product of these manufactures. Tutti i nostri particolari non sono originali ma con essi intercambiabili. I riferimenti originali, le figure, i modelli sono esposti a semplice titolo indicativo. La nostra produzione riporta il nostro marchio.

16S150 (1313)  
16S220 (1312)

| Fig. | CEI no. | O.E.M. Reference |               | Description               | Q.ty | Note | Ratio |               |               |  |  |  |
|------|---------|------------------|---------------|---------------------------|------|------|-------|---------------|---------------|--|--|--|
|      |         | ZF no.           | M.A.N. no.    |                           |      |      |       | 16S150 (1313) | 16S220 (1312) |  |  |  |
| 61   | 105.113 | 1313 303 011     |               | Countershaft 17-20 T      | 1    |      | C     | ●             |               |  |  |  |
| 61   |         | 1312 303 037     |               | Countershaft 20-24 T      | 1    |      | A     | ●             |               |  |  |  |
| 61   | 105.107 | 1312 303 009     | 81 32206 0080 | Countershaft 19-23 T      | 1    |      | B     | ●             |               |  |  |  |
| 61   | 105.108 | 1312 303 008     |               | Countershaft 17-20 T      | 1    |      | C     | ●             |               |  |  |  |
| 62   | 130.307 | 0750 117 011     | 81 93420 0134 | Bearing D.50,8x104,7x39,6 | 1    |      |       | ●             |               |  |  |  |
| 62   | 130.308 | 0750 117 009     | 81 93420 0187 | Bearing D.49,2x103,1x43,6 | 1    |      |       | ●             |               |  |  |  |
| 63   | 107.108 | 1295 305 056     | 81 32317 0032 | Reverse Gear Pin          | 1    |      |       | ●             | ●             |  |  |  |
| 64   | 137.007 | 0750 115 011     | 81 93402 0066 | Needle Cage D.45x53x21    | 2    |      |       | ●             |               |  |  |  |
| 64   | 137.154 | 0750 115 255     | 81 93402 0113 | Needle Cage D.45x53x25    | 2    |      |       | ●             |               |  |  |  |
| 65   | 147.132 | 1313 305 002     | 81 32315 0047 | Reverse Gear 21 T         | 1    |      | B     | ●             |               |  |  |  |
| 65   | 147.148 | 1313 305 001     |               | Reverse Gear 24 T         | 1    |      | C     | ●             |               |  |  |  |
| 65   |         | 1312 305 003     |               | Reverse Gear 21 T         | 1    |      | A     | ●             |               |  |  |  |
| 65   | 147.135 | 1297 305 012     | 81 32315 0050 | Reverse Gear 21 T         | 1    |      | B     | ●             |               |  |  |  |
| 65   | 147.134 | 1297 305 011     |               | Reverse Gear 24 T         | 1    |      | C     | ●             |               |  |  |  |
| 66   | 169.234 | 0730 150 064     | 81 32312 0153 | Thrust Washer             | 1    |      |       | ●             | ●             |  |  |  |
| 67   | 198.843 | CEI 198843       |               | Spring Slide Set          | 1    |      |       | ●             | ●             |  |  |  |
| 68   |         | 1312 298 902     | 81 32900 6016 | Oil Seal Kit              | 1    |      |       | ●             | ●             |  |  |  |
| 69   | 198.427 | 1295 298 915     | 81 32900 6008 | Gasket Kit                | 1    |      |       | ●             | ●             |  |  |  |
| 70   | 298.021 | 1315 298 061     |               | Synchro kit 4th/3rd Speed | 1    | (#)  |       | ●             | ●             |  |  |  |
| 71   | 298.020 | 1315 298 060     |               | Synchro kit 1st/2nd Speed | 1    | (@)  |       | ●             |               |  |  |  |

ECO II

From 16S150  
To 16S220

## Notes

- (1) Only for input Shaft 1313 221 004  
 (2) 16S220 Special Version - Ratio 10,14-0,72. For this version to use :  
 4th Speed - Synchro Cone 1312 304 027 / 3rd Speed Synchro - Cone 1312 304 080  
 (#) Latest Synchro generation. **DO NO MIX** the two different version. To update the previous one use the **synchro rebuilt kit fig. 70**  
 (@) Latest Synchro generation. **DO NO MIX** the two different version. To update the previous one use the **synchro rebuilt kit fig. 71**

## Date

03 / 2006

## Table

006 / A

All original equipment manufacturers numbers, symbols, pictures, models and description used in this catalogue are for reference only, and it is not implied that any part listed is the product of these manufactures.  
 Tutti i nostri particolari non sono originali ma con essi intercambiabili. I riferimenti originali, le figure, i modelli sono esposti a semplice titolo indicativo. La nostra produzione riporta il nostro marchio.



Suitable To : **ZF**

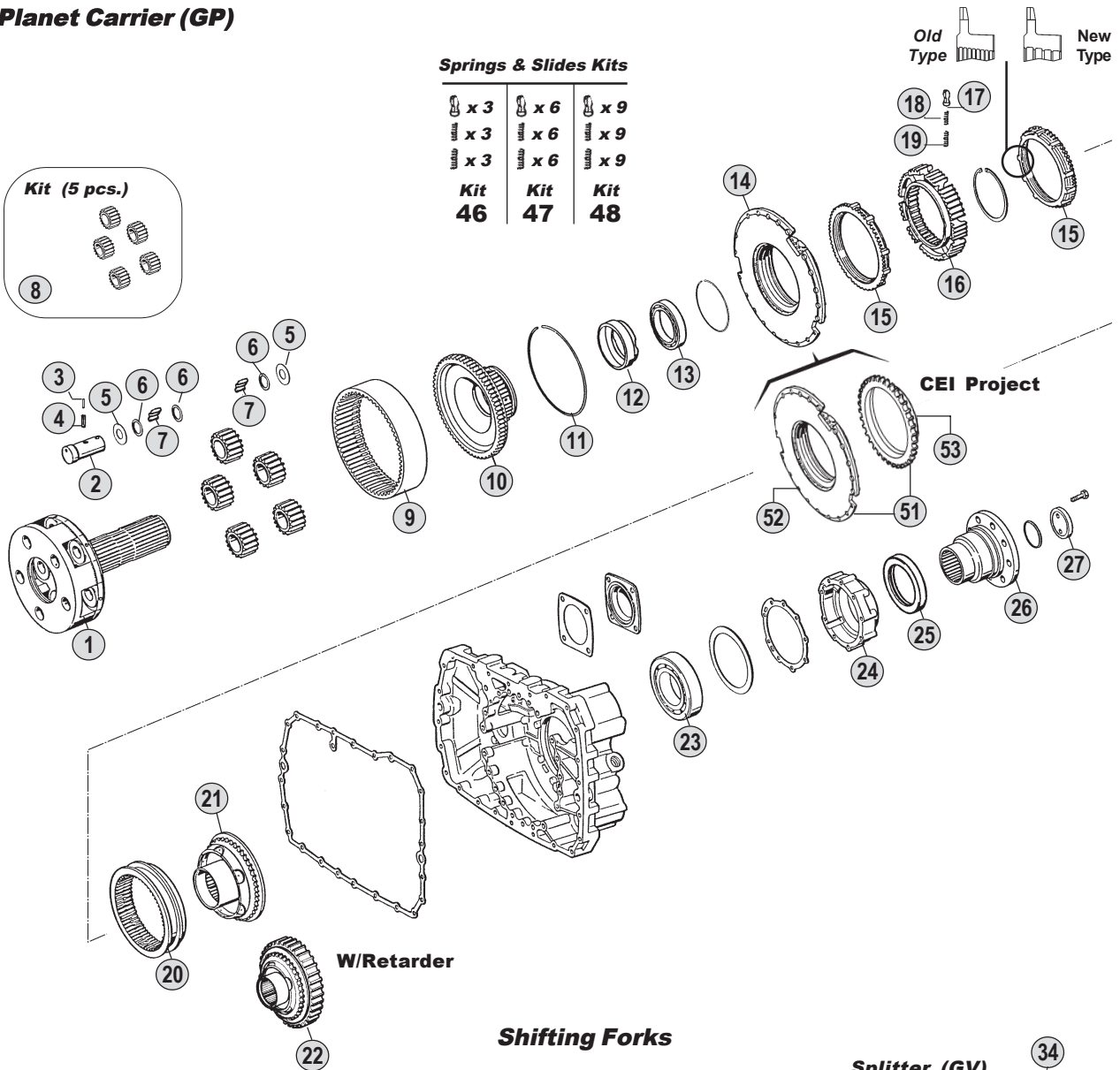
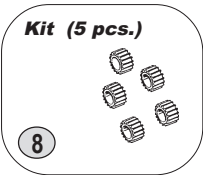
**16S150 - 16S220**

**Planet Carrier (GP)**

**Springs & Slides Kits**

|               |               |               |
|---------------|---------------|---------------|
| x 3           | x 6           | x 9           |
| x 3           | x 6           | x 9           |
| x 3           | x 6           | x 9           |
| <b>Kit 46</b> | <b>Kit 47</b> | <b>Kit 48</b> |

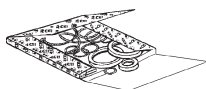
Old Type New Type



**Kits**



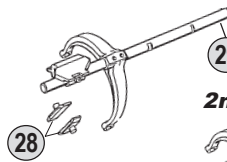
**Gasket Kit 50**



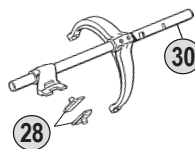
**Oil Seal Kit 49**

**Shifting Forks**

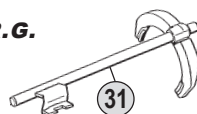
4th/3rd



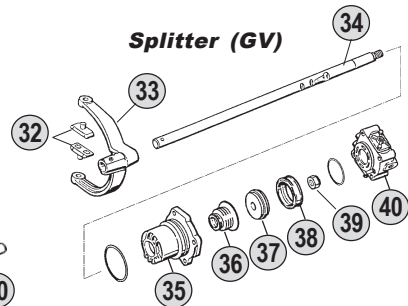
2nd/1st



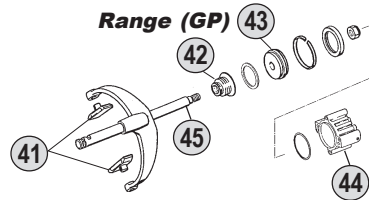
R.G.



**Splitter (GV)**



**Range (GP)**



**Ratios**

|               |              |                 |                 |
|---------------|--------------|-----------------|-----------------|
| <b>16S150</b> | A:--         | B: 13,80 - 0,84 | C: 16,47 - 1,00 |
| <b>16S220</b> | A:10,14-0,72 | B: 13,80 - 0,84 | C: 16,47 - 1,00 |

All original equipment manufacturers' numbers, symbols, pictures, models and description used in this catalogue are for reference only, and it is not implied that any part listed is the product of these manufactures. Tutti i nostri particolari non sono originali ma con essi intercambiabili. I riferimenti originali, le figure, i modelli sono esposti a semplice titolo indicativo. La nostra produzione riporta il nostro marchio.

| Fig. | CEI no.        | O.E.M. Reference |               | Description                 | Q.ty | Note          | Ratio |               |               |  |  |  |
|------|----------------|------------------|---------------|-----------------------------|------|---------------|-------|---------------|---------------|--|--|--|
|      |                | ZF no.           | M.A.N. no.    |                             |      |               |       | 16S150 (1313) | 16S220 (1312) |  |  |  |
| 1    | 190.393        | 1296 232 002     | 81 32403 0086 | Planetary Carrier           | 1    |               |       | ●             |               |  |  |  |
| 1    |                | 1312 232 016     |               | Planetary Carrier           | 1    |               | A     |               | ●             |  |  |  |
| 1    | 190.392        | 1316 232 006     |               | Planetary Carrier           | 1    |               | BC    |               | ●             |  |  |  |
| 2    | 107.164        | 1296 332 005     | 81 32523 0155 | Planet Shaft                | 5    |               |       | ●             |               |  |  |  |
| 2    | <b>107.163</b> | 1297 332 109     | 81 32523 0111 | Planet Shaft                | 5    |               | A     |               | ●             |  |  |  |
| 2    | 107.165        | 1312 332 026     | 81 32523 0160 | Planet Shaft                | 5    |               | BC    |               | ●             |  |  |  |
| 3    | 160.195        | 0631 329 167     | 06 22120 0513 | Lock Pin D.3x26             | 5    |               |       | ●             | ●             |  |  |  |
| 4    | 160.194        | 0631 329 051     | 06 22120 0913 | Lock Pin D.5x26             | 5    |               |       | ●             | ●             |  |  |  |
| 5    | 169.759        | 0501 308 981     | 81 32313 0123 | Thrust Washer               | 10   |               |       | ●             |               |  |  |  |
| 5    | <b>169.753</b> | 0501 306 212     | 81 32312 0707 | Thrust Washer D.29x64x1,5   | 10   |               | A     |               | ●             |  |  |  |
| 5    | 169.759        | 0501 308 981     | 81 32313 0123 | Thrust Washer               | 10   |               | BC    |               | ●             |  |  |  |
| 6    | 169.744        | 0730 107 168     | 81 32313 0114 | Spacer Ring                 | 15   |               |       | ●             |               |  |  |  |
| 6    | <b>169.410</b> | 0730 103 846     | 81 90712 0495 | Spacer Ring D.29x39x1,00    | 15   |               | A     |               | ●             |  |  |  |
| 6    | 169.744        | 0730 107 168     | 81 32313 0114 | Spacer Ring                 | 15   |               | BC    |               | ●             |  |  |  |
| 7    | 171.046        | 0735 470 164     | 81 93403 0021 | Roller D.10x15              | 140  |               |       | ●             |               |  |  |  |
| 7    | <b>171.062</b> | 0750 119 116     | 81 93403 0023 | Roller D.10x16,8            | 120  |               | A     |               | ●             |  |  |  |
| 7    | <b>171.062</b> | 0750 119 116     | 81 93403 0023 | Roller D.10x16,8            | 140  |               | BC    |               | ●             |  |  |  |
| 8    | <b>198.800</b> | 1313 232 003     | 81 32301 6011 | Planetary Gear Set (5 pcs)  | 1    |               |       | ●             |               |  |  |  |
| 8    | <b>198.803</b> | 1297 232 023     | 81 32301 6003 | Planetary Gear Set (5 pcs)  | 1    |               | A     |               | ●             |  |  |  |
| 8    | <b>198.801</b> | 1312 232 014     | 81 37505 6009 | Planetary Gear Set (5 pcs)  | 1    |               | BC    |               | ●             |  |  |  |
| 9    | <b>123.208</b> | 1295 332 086     | 81 32301 0604 | Crown Gear 86 T             | 1    |               |       | ●             |               |  |  |  |
| 9    | <b>123.217</b> | 1297 332 080     | 81 32301 0691 | Crown Gear 83 T             | 1    |               | A     |               | ●             |  |  |  |
| 9    | <b>123.208</b> | 1295 332 086     | 81 32301 0604 | Crown Gear 86 T             | 1    |               | BC    |               | ●             |  |  |  |
| 10   | <b>150.133</b> | 1313 332 020     | 81 32403 0087 | Flange Gear 86 T            | 1    |               |       | ●             |               |  |  |  |
| 10   |                | 1297 332 108     |               | Flange Gear 83 T            | 1    |               | A     |               | ●             |  |  |  |
| 10   | <b>150.134</b> | 1297 332 120     | 81 37511 0007 | Flange Gear 86 T            | 1    |               | BC    |               | ●             |  |  |  |
| 11   | 111.198        | 0730 505 056     | 81 90820 0371 | Locking Wire                | 1    |               |       | ●             |               |  |  |  |
| 11   | 111.129        | 0730 505 055     | 81 90820 0284 | Locking Wire                | 1    |               | A     |               | ●             |  |  |  |
| 11   | 111.198        | 0730 505 056     | 81 90820 0371 | Locking Wire                | 1    |               | BC    |               | ●             |  |  |  |
| 12   |                | 1297 332 002     | 81 32312 0708 | Ring                        | 1    |               |       | ●             |               |  |  |  |
| 13   | 130.310        | 0750 116 165     | 81 93410 0083 | Bearing D.80x110x16         | 1    |               |       | ●             |               |  |  |  |
| 13   | 130.311        | 0635 338 035     |               | Bearing D.100x125x13        | 1    |               |       | ●             |               |  |  |  |
| 14   | <b>198.358</b> | 1296 233 006     | 81 32425 0073 | Synchronizer Cone           | 1    |               |       | ●             | ●             |  |  |  |
| 15   | <b>119.085</b> | 1296 333 022     | 81 32420 0096 | Synchronizer Ring           | 2    | Old Type      |       | ●             | ●             |  |  |  |
| 15   | <b>119.172</b> | 1296 333 045     | 81 32420 0236 | Synchronizer Ring           | 2    | New Type      |       | ●             | ●             |  |  |  |
| 16   | <b>157.182</b> | 1313 333 001     | 81 32420 0152 | Synchronizer Hub            | 1    |               |       | ●             |               |  |  |  |
| 16   | <b>157.183</b> | 1297 333 115     | 81 32420 0159 | Synchronizer Hub            | 1    |               |       |               | ●             |  |  |  |
| 17   | <b>160.116</b> | 1240 304 278     | 81 32510 0005 | Pressure Piece              | 9    |               |       | ●             | ●             |  |  |  |
| 18   | <b>156.036</b> | 0732 040 386     | 81 97601 0758 | Inner Spring De.3x34        | 9    |               |       | ●             | ●             |  |  |  |
| 19   | <b>156.037</b> | 0732 040 385     | 81 97601 0757 | Outer Spring De.6x34        | 9    |               |       | ●             | ●             |  |  |  |
| 20   | <b>154.098</b> | 1296 333 023     | 81 32402 0111 | Sliding Sleeve              | 1    |               |       | ●             | ●             |  |  |  |
| 21   | <b>198.374</b> | 1313 233 001     | 81 32425 0083 | Synchronizer Cone (38 Spl.) | 1    |               |       | ●             |               |  |  |  |
| 21   | <b>198.790</b> | 1297 233 056     | 81 32425 0100 | Synchronizer Cone (41 Spl.) | 1    |               |       |               | ●             |  |  |  |
| 22   |                | 1297 333 118     | 81 32301 0809 | Synchronizer Cone           | 1    | With Retarder |       | ●             |               |  |  |  |
| 22   |                | 1312 333 014     | 81 32301 0874 | Synchronizer Cone           | 1    | With Retarder |       | ●             |               |  |  |  |

## Notes

- (4) Only Pneumatic Version  
 (5) To be coupled Together  
 (6) To be coupled Together

## Date

03 / 2006

## Table

006 / B

Suitable To : **ZF**

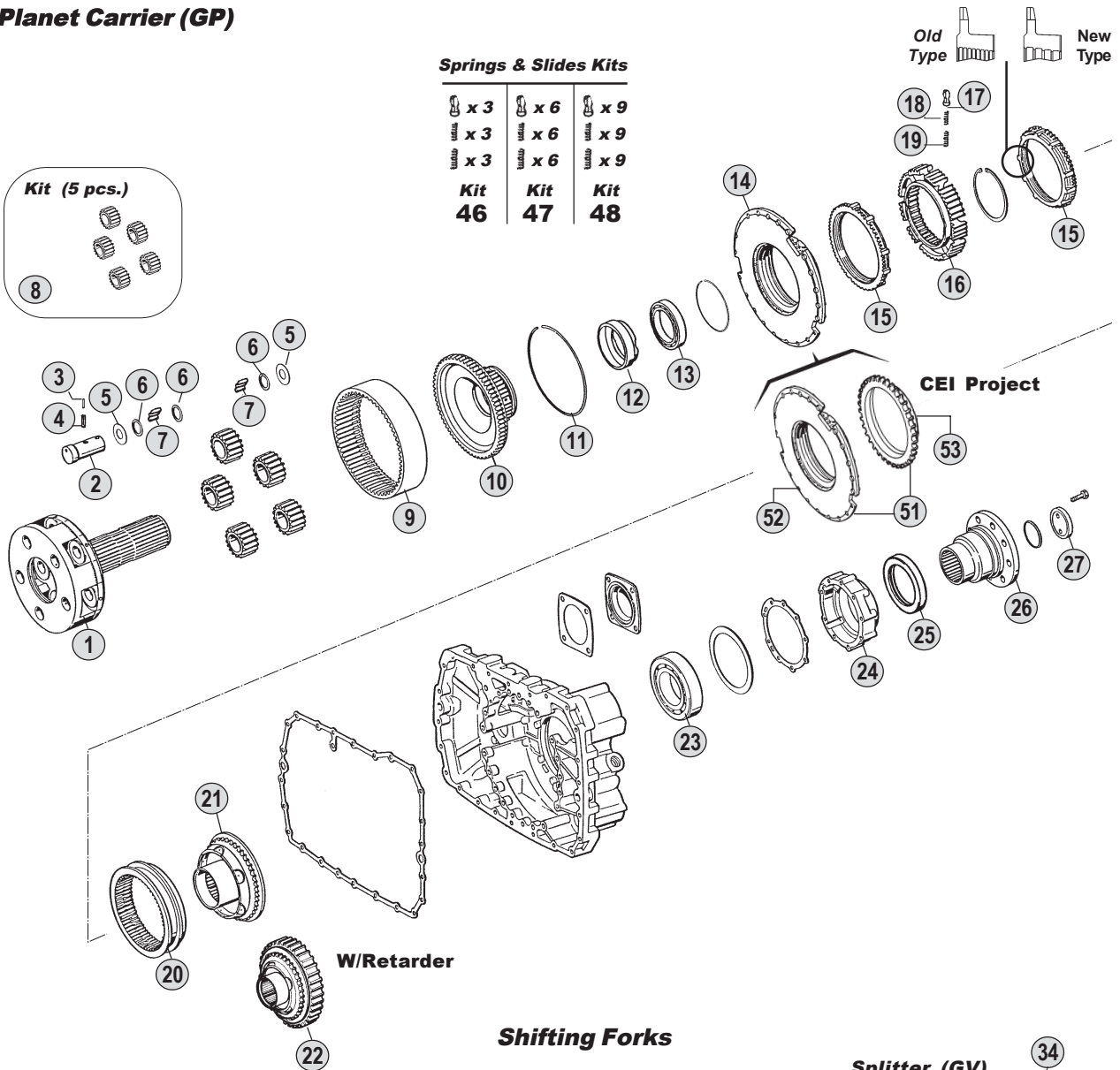
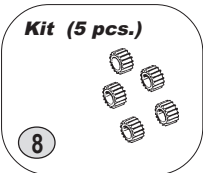
**16S150 - 16S220**

**Planet Carrier (GP)**

**Springs & Slides Kits**

|               |               |               |
|---------------|---------------|---------------|
| x 3           | x 6           | x 9           |
| x 3           | x 6           | x 9           |
| x 3           | x 6           | x 9           |
| <b>Kit 46</b> | <b>Kit 47</b> | <b>Kit 48</b> |

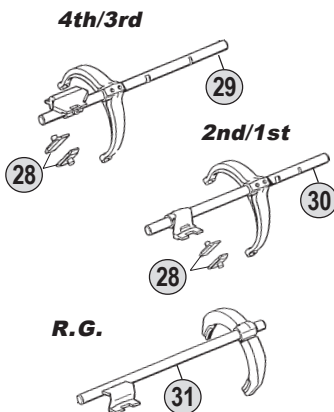
Old Type New Type



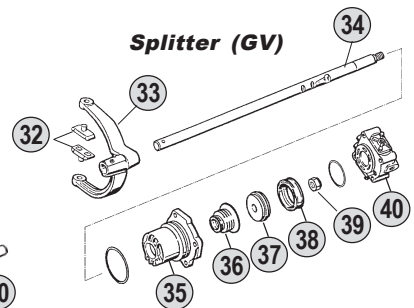
**Kits**



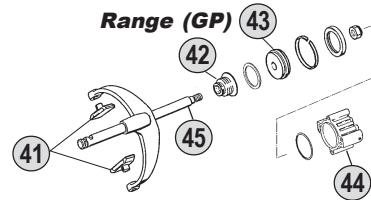
**Shifting Forks**



**Splitter (GV)**



**Range (GP)**



**Ratios**

|               |              |                 |                 |
|---------------|--------------|-----------------|-----------------|
| <b>16S150</b> | A:--         | B: 13,80 - 0,84 | C: 16,47 - 1,00 |
| <b>16S220</b> | A:10,14-0,72 | B: 13,80 - 0,84 | C: 16,47 - 1,00 |

All original equipment manufacturers' numbers, symbols, pictures, models and description used in this catalogue are for reference only, and it is not implied that any part listed is the product of these manufactures. Tutti i nostri particolari non sono originali ma con essi intercambiabili. I riferimenti originali, le figure, i modelli sono esposti a semplice titolo indicativo. La nostra produzione riporta il nostro marchio.

| Fig. | CEI no. | O.E.M. Reference |               | Description             | Q.ty | Note      | Ratio |               |               |  |  |  |  |  |
|------|---------|------------------|---------------|-------------------------|------|-----------|-------|---------------|---------------|--|--|--|--|--|
|      |         | ZF no.           | M.A.N. no.    |                         |      |           |       | 16S150 (1313) | 16S220 (1312) |  |  |  |  |  |
| 23   | 130.245 | 0750 116 002     | 81 93410 0046 | Bearing D.90x160x30     | 1    |           |       | ●             | ●             |  |  |  |  |  |
| 24   | 128.098 | 1315 301 220     | 81 32106 0152 | Cover                   | 1    |           |       | ●             | ●             |  |  |  |  |  |
| 25   |         | 0750 111 341     | 81 96503 0236 | Oil Seal 105x130x12     | 1    |           |       | ●             | ●             |  |  |  |  |  |
| 26   |         | 1313 338 002     | 81 39115 0255 | Output Flange           | 1    | D.180-4H. |       | ●             |               |  |  |  |  |  |
| 26   |         | 1313 338 011     |               | Output Flange           | 1    | D.204-4H. |       | ●             |               |  |  |  |  |  |
| 26   |         | 1297 333 110     | 81 39115 0289 | Output Flange           | 1    | D.180-4H. |       |               | ●             |  |  |  |  |  |
| 27   | 188.077 | 1295 332 051     | 81 32312 0820 | Stop Washer             | 1    |           |       | ●             |               |  |  |  |  |  |
| 27   |         | 1312 332 028     | 81 90713 0154 | Stop Washer             | 1    |           |       |               | ●             |  |  |  |  |  |
| 28   | 141.163 | 1297 306 120     | 81 32526 0031 | Slide                   | 2    |           |       | ●             | ●             |  |  |  |  |  |
| 29   |         | 1313 206 002     | 81 32518 0154 | Fork                    | 1    |           |       | ●             |               |  |  |  |  |  |
| 29   |         | 1313 206 005     | 81 32518 0157 | Fork                    | 1    |           |       | ●             |               |  |  |  |  |  |
| 29   |         | 1313 206 011     |               | Fork                    | 1    | (4)       |       | ●             |               |  |  |  |  |  |
| 29   |         | 1312 206 025     | 81 32518 0172 | Fork                    | 1    |           |       |               | ●             |  |  |  |  |  |
| 29   |         | 1312 206 026     | 81 32518 0197 | Fork                    | 1    |           |       |               | ●             |  |  |  |  |  |
| 29   |         | 1312 206 045     |               | Fork                    | 1    | (4)       |       |               | ●             |  |  |  |  |  |
| 30   |         | 1313 206 001     | 81 32518 0174 | Fork                    | 1    |           |       | ●             |               |  |  |  |  |  |
| 30   |         | 1313 206 004     | 81 32518 0178 | Fork                    | 1    |           |       | ●             |               |  |  |  |  |  |
| 30   |         | 1313 206 031     |               | Fork                    | 1    | (4)       |       | ●             |               |  |  |  |  |  |
| 30   |         | 1312 206 013     | 81 32518 0169 | Fork                    | 1    |           |       |               | ●             |  |  |  |  |  |
| 30   |         | 1312 206 017     | 81 32518 0196 | Fork                    | 1    |           |       |               | ●             |  |  |  |  |  |
| 30   |         | 1312 206 043     |               | Fork                    | 1    | (4)       |       |               | ●             |  |  |  |  |  |
| 31   |         | 1313 206 015     | 81 32518 0167 | Fork                    | 1    |           |       | ●             |               |  |  |  |  |  |
| 31   |         | 1313 206 016     |               | Fork                    | 1    |           |       | ●             |               |  |  |  |  |  |
| 31   |         | 1313 206 026     |               | Fork                    | 1    | (4)       |       | ●             |               |  |  |  |  |  |
| 31   |         | 1312 206 027     | 81 32518 0168 | Fork                    | 1    |           |       |               | ●             |  |  |  |  |  |
| 31   |         | 1312 206 028     | 81 32518 0198 | Fork                    | 1    |           |       |               | ●             |  |  |  |  |  |
| 31   |         | 1312 206 033     |               | Fork                    | 1    | (4)       |       |               | ●             |  |  |  |  |  |
| 32   | 141.163 | 1297 306 120     | 81 32526 0031 | Slide                   | 2    |           |       | ●             | ●             |  |  |  |  |  |
| 33   |         | 1313 312 002     | 81 32516 0119 | Fork                    | 1    |           |       | ●             | ●             |  |  |  |  |  |
| 34   |         | 1312 312 002     | 81 32518 0156 | Rod                     | 1    |           |       | ●             |               |  |  |  |  |  |
| 34   |         | 1312 312 001     | 81 32518 0170 | Rod                     | 1    |           |       |               | ●             |  |  |  |  |  |
| 35   | 132.046 | 1296 312 042     | 81 32638 0005 | Cylinder                | 1    |           |       | ●             | ●             |  |  |  |  |  |
| 36   | 139.331 | 0750 112 034     | 81 96401 0148 | Cap Collar D.25x38x14,2 | 1    |           |       | ●             | ●             |  |  |  |  |  |
| 37   |         | 1312 312 003     | 81 32639 0032 | Piston                  | 1    |           |       | ●             | ●             |  |  |  |  |  |
| 37   |         | 1312 312 015     |               | Piston                  | 1    | (4)       |       | ●             | ●             |  |  |  |  |  |
| 38   |         | 0750 112 089     | 81 96503 0019 | Ring 53x63x16,2         | 1    |           |       | ●             | ●             |  |  |  |  |  |
| 38   |         | 0750 112 048     | 81 96503 0095 | Ring 53x63x5            | 1    | (4)       |       | ●             | ●             |  |  |  |  |  |
| 39   |         | 0737 006 095     | 81 90501 0188 | Nut                     | 1    |           |       | ●             | ●             |  |  |  |  |  |
| 40   |         | 0750 132 032     | 81 52170 6091 | Cylinder                | 1    |           |       | ●             | ●             |  |  |  |  |  |
| 40   |         | 0750 132 033     | 81 52170 6095 | Cylinder                | 1    |           |       | ●             | ●             |  |  |  |  |  |
| 41   | 141.085 | 1296 334 004     | 81 32526 0026 | Bronze Slide            | 2    |           |       | ●             | ●             |  |  |  |  |  |
| 42   | 139.331 | 0750 112 034     | 81 96401 0148 | Cap Collar D.25x38x14,2 | 1    |           |       | ●             | ●             |  |  |  |  |  |
| 43   | 189.422 | 1296 334 039     | 81 32639 0019 | Piston                  | 1    | (5)       |       | ●             | ●             |  |  |  |  |  |
| 43   |         | 1297 334 056     | 81 32639 0031 | Piston                  | 1    | (6)       |       | ●             | ●             |  |  |  |  |  |
| 44   | 132.047 | 1295 334 075     | 81 32638 0006 | Cylinder                | 1    | (5)       |       | ●             | ●             |  |  |  |  |  |

## Notes

- (4) Only Pneumatic Version  
(5) To be coupled Together  
(6) To be coupled Together

## Date

03 / 2006

## Table

006 / B

All original equipment manufacturers numbers, symbols, pictures, models and description used in this catalogue are for reference only, and it is not implied that any part listed is the product of these manufactures.  
Tutti i nostri particolari non sono originali ma con essi intercambiabili. I riferimenti originali, le figure, i modelli sono esposti a semplice titolo indicativo. La nostra produzione riporta il nostro marchio.

Suitable To : **ZF**

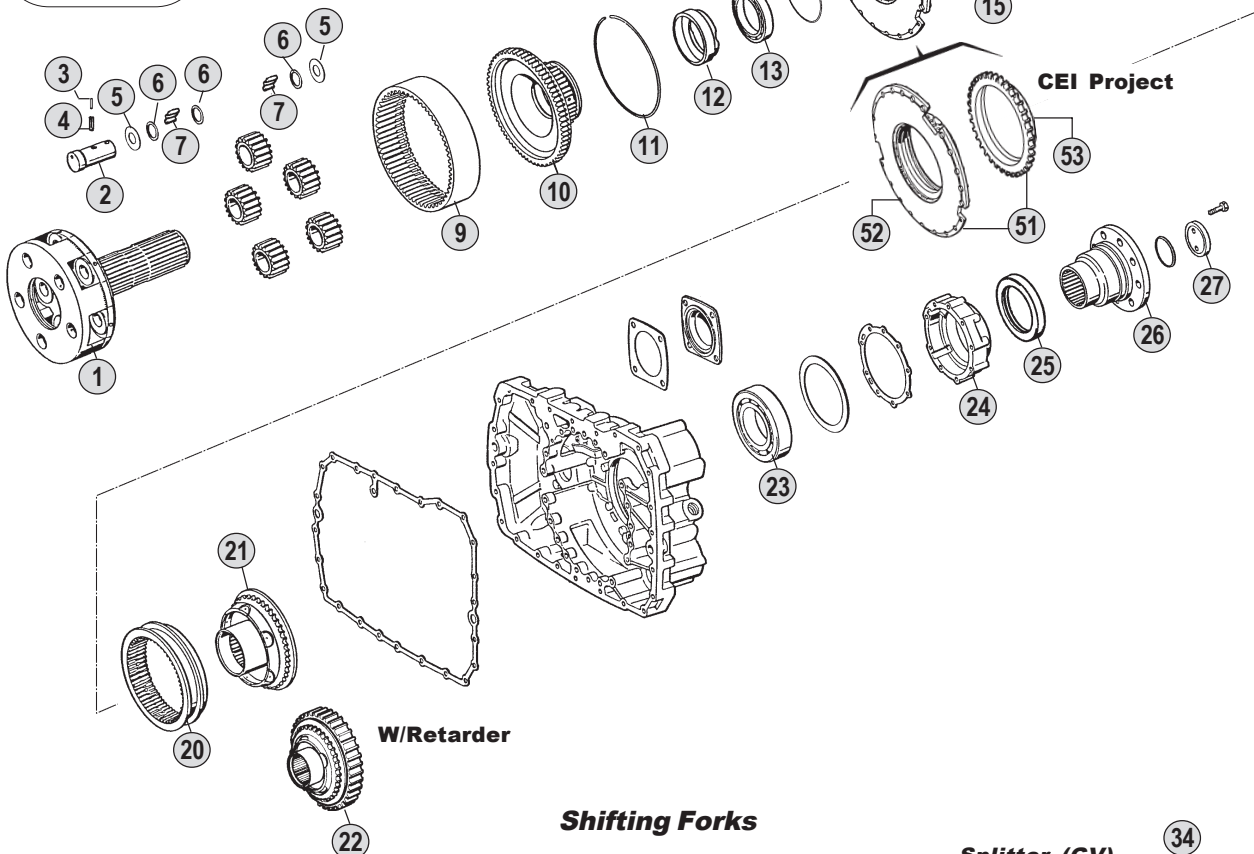
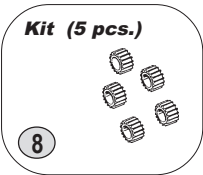
**16S150 - 16S220**

**Planet Carrier (GP)**

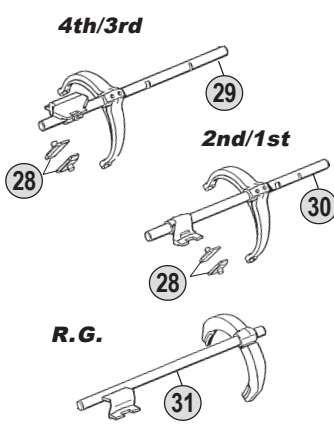
**Springs & Slides Kits**

|               |               |               |
|---------------|---------------|---------------|
| x 3           | x 6           | x 9           |
| x 3           | x 6           | x 9           |
| x 3           | x 6           | x 9           |
| <b>Kit 46</b> | <b>Kit 47</b> | <b>Kit 48</b> |

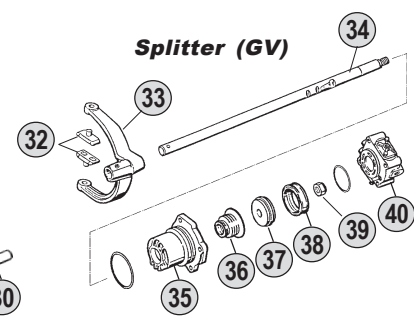
Old Type New Type



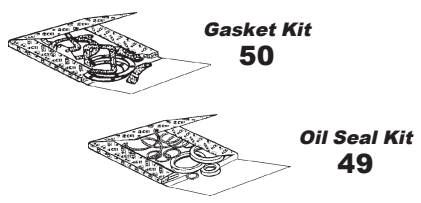
**Shifting Forks**



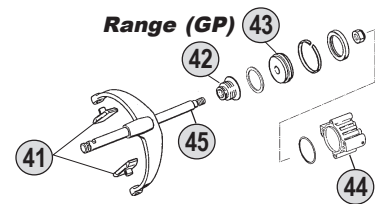
**Splitter (GV)**



**Kits**



**Range (GP)**



**Ratios**

|               |              |                 |                 |
|---------------|--------------|-----------------|-----------------|
| <b>16S150</b> | A:--         | B: 13,80 - 0,84 | C: 16,47 - 1,00 |
| <b>16S220</b> | A:10,14-0,72 | B: 13,80 - 0,84 | C: 16,47 - 1,00 |

All original equipment manufacturers' numbers, symbols, pictures, models and description used in this catalogue are for reference only, and it is not implied that any part listed is the product of these manufactures. Tutti i nostri particolari non sono originali ma con essi intercambiabili. I riferimenti originali, le figure, i modelli sono esposti a semplice titolo indicativo. La nostra produzione riporta il nostro marchio.





suitable to :

**Z.F.****EcoSplit III****From 16S151 to 16S221****Planetary Gear with STRAIGHT TEETH****Application**

|                 | 16S151<br>(1315) | 16S221<br>(1316) |  |  |
|-----------------|------------------|------------------|--|--|
| <b>MERCEDES</b> |                  |                  |  |  |
| <b>M.A.N.</b>   |                  |                  |  |  |
| <b>IVECO</b>    |                  |                  |  |  |
| <b>R.V.I.</b>   |                  |                  |  |  |
| <b>DAF</b>      |                  |                  |  |  |
| <b>VOLVO</b>    |                  |                  |  |  |

**Ratios**

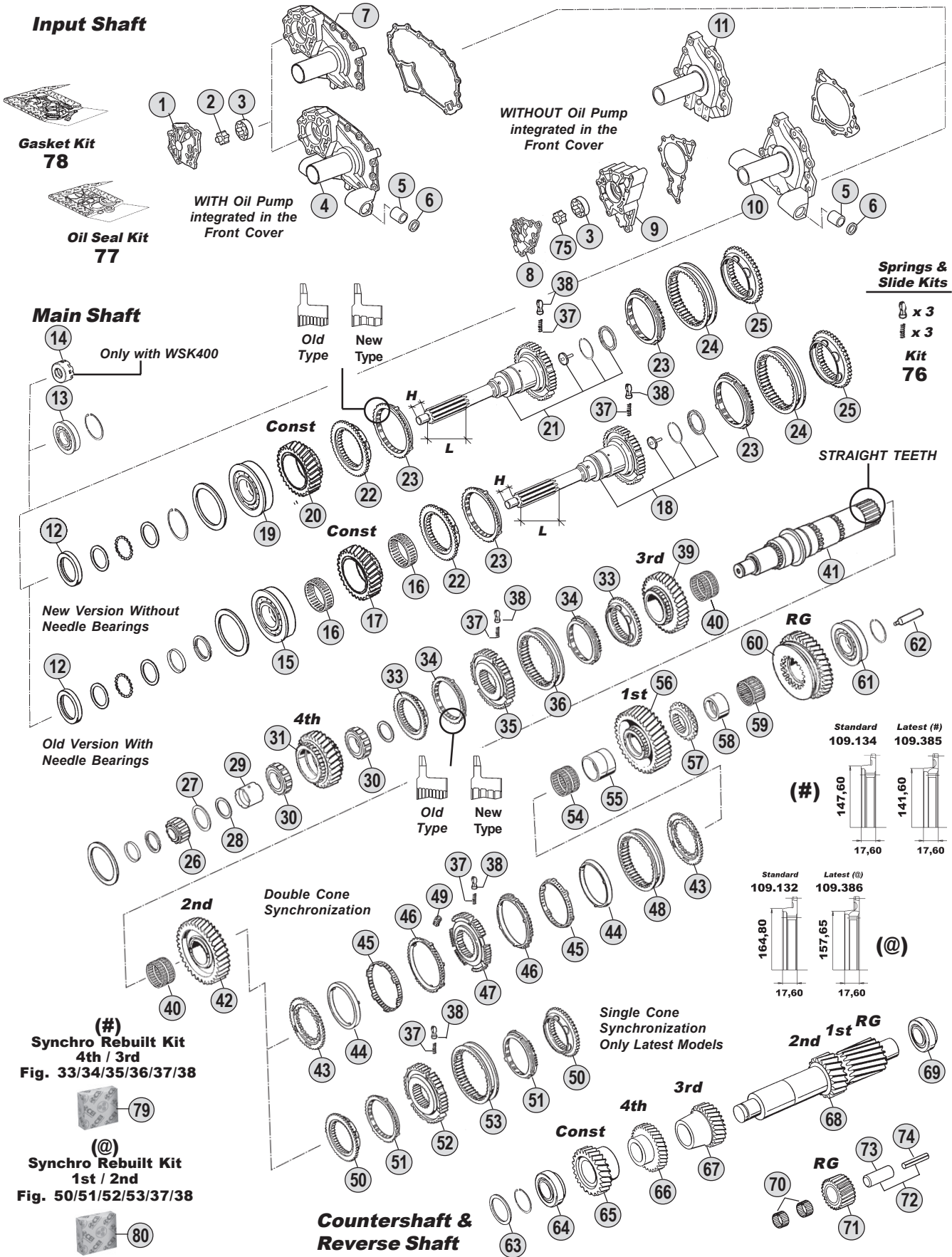
|               | R.13,80-0,84<br><b>A</b> | R.13,85-0,84<br><b>B</b> | R.13,86-0,84<br><b>C</b> | R.16,47-1,00<br><b>D</b> | R.16,53-1,00<br><b>E</b> |
|---------------|--------------------------|--------------------------|--------------------------|--------------------------|--------------------------|
| <b>16S151</b> |                          |                          |                          |                          |                          |
| <b>16S221</b> |                          |                          |                          |                          |                          |
|               |                          |                          |                          |                          |                          |
|               |                          |                          |                          |                          |                          |

**ECO III**  
 From 16S151  
 To 16S221



Suitable To : **ZF**

**16S151 - 16S221**



All original equipment manufacturers' numbers, symbols, pictures, models and description used in this catalogue are for reference only, and it is not implied that any part listed is the product of these manufactures. Tutti i nostri particolari non sono originali ma con essi intercambiabili. I riferimenti originali, le figure, i modelli sono esposti a semplice titolo indicativo. La nostra produzione riporta il nostro marchio.

**Ratios**

|               |               |                 |                 |                 |               |
|---------------|---------------|-----------------|-----------------|-----------------|---------------|
| <b>16S151</b> | A: 13,80-0,84 | B: 13,85 - 0,84 | C: 13,86 - 0,84 | D: 16,47 - 1,00 | E: 16,53-1,00 |
| <b>16S221</b> | A: 13,80-0,84 | B: --           | C: 13,86 - 0,84 | D: 16,47 - 1,00 | E: -          |

All original equipment manufacturers numbers, symbols, pictures, models and description used in this catalogue are for reference only, and it is not implied that any part listed is the product of these manufactures.  
Tutti i nostri particolari non sono originali ma con essi intercambiabili. I riferimenti originali, le figure, i modelli sono esposti a semplice titolo indicativo. La nostra produzione riporta il nostro marchio.

| Fig. | CEI no. | O.E.M. Reference |               | Description                | Q.ty | Note                | Ratio |               |               |  |  |  |  |
|------|---------|------------------|---------------|----------------------------|------|---------------------|-------|---------------|---------------|--|--|--|--|
|      |         | ZF no.           | M.A.N. no.    |                            |      |                     |       | 16S151 (1315) | 16S221 (1316) |  |  |  |  |
| 1    |         | 1315 302 013     | 81 38521 0002 | Cover                      | 1    |                     |       | ●             | ●             |  |  |  |  |
| 2    |         | 1315 202 014     | 81 33208 0023 | Rotor                      | 1    |                     |       | ●             | ●             |  |  |  |  |
| 3    |         | 1315 303 027     | 81 33223 0010 | Oil Pump Housing           | 1    |                     |       | ●             | ●             |  |  |  |  |
| 4    |         | 1315 302 057     | 81 32240 0035 | Front Cover                | 1    |                     |       | ●             | ●             |  |  |  |  |
| 5    |         | 0730 260 398     | 81 93021 0330 | Bush                       | 4    |                     |       | ●             | ●             |  |  |  |  |
| 6    |         | 0501 312 738     | 81 96503 0293 | Oil Seal 30x37x4           | 4    |                     |       | ●             | ●             |  |  |  |  |
| 7    |         | 1315 302 045     | 81 32240 0012 | Front Cover                | 1    |                     |       | ●             | ●             |  |  |  |  |
| 7    |         | 1315 302 047     |               | Front Cover                | 1    |                     |       | ●             | ●             |  |  |  |  |
| 8    |         | 1315 302 120     | 81 38521 0004 | Cover                      | 1    |                     |       | ●             | ●             |  |  |  |  |
| 9    |         | 1315 302 121     | 81 38520 0003 | Housing                    | 1    |                     |       | ●             | ●             |  |  |  |  |
| 10   |         | 1315 202 055     |               | Front Cover                | 1    |                     |       | ●             | ●             |  |  |  |  |
| 10   |         | 1315 202 058     |               | Front Cover                | 1    |                     |       | ●             | ●             |  |  |  |  |
| 10   |         | 1315 202 061     | 81 32240 6000 | Front Cover                | 1    |                     |       | ●             | ●             |  |  |  |  |
| 10   |         | 1315 202 065     |               | Front Cover                | 1    |                     |       | ●             | ●             |  |  |  |  |
| 10   |         | 1315 202 060     | 81 32240 0020 | Front Cover                | 1    | With WSK400         |       | ●             | ●             |  |  |  |  |
| 11   |         | 1315 302 075     |               | Front Cover                | 1    |                     |       | ●             | ●             |  |  |  |  |
| 11   |         | 1315 302 136     | 81 32240 0021 | Front Cover                | 1    |                     |       | ●             | ●             |  |  |  |  |
| 12   | 139.754 | 0734 310 386     | 81 96503 0342 | Oil Seal 55x75x8           | 1    |                     |       | ●             | ●             |  |  |  |  |
| 12   |         | 0734 310 104     | 81 96502 0403 | Oil Seal 52x68x8           | 1    | (1)                 |       | ●             | ●             |  |  |  |  |
| 12   |         | 0734 319 514     | 81 96503 0319 | Oil Seal 52x72x8           | 1    | (2)                 |       | ●             | ●             |  |  |  |  |
| 13   |         | 0635 450 098     | 06 32739 0002 | Bearing 52x90x33           | 1    | (2)                 |       | ●             | ●             |  |  |  |  |
| 14   |         | 4130 309 063     | 81 32310 0001 | Disk                       | 1    | (1)                 |       | ●             | ●             |  |  |  |  |
| 15   | 130.306 | 0750 117 431     | 81 93420 0252 | Bearing D.75x150x30,50     | 1    | (3-4-5)             |       | ●             | ●             |  |  |  |  |
| 16   | 137.133 | 0735 321 437     | 81 93402 0139 | Needle Cage D.93x101x25    | 2    | (3)                 |       | ●             |               |  |  |  |  |
| 16   | 137.148 | 0750 115 310     | 81 93402 0107 | Needle Cage D.93x101x25    | 2    | (4)                 |       | ●             |               |  |  |  |  |
| 16   | 137.134 | 0735 321 438     | 82 93402 0023 | Needle Cage D.93x101x32,50 | 1    | (5)                 |       |               | ●             |  |  |  |  |
| 17   | 145.524 | 1315 302 008     | 81 32301 0854 | Constant Gear 34 T         | 1    | (3)                 | B     | ●             |               |  |  |  |  |
| 17   | 145.451 | 1315 302 007     |               | Constant Gear 30 T         | 1    | (4)                 | DE    | ●             |               |  |  |  |  |
| 17   | 145.472 | 1316 302 001     |               | Constant Gear 30 T         | 1    | (5)                 | D     |               | ●             |  |  |  |  |
| 18   | 190.309 | 1315 202 022     | 81 32205 0244 | Input Shaft                | 1    | L=125 H=32          |       | ●             |               |  |  |  |  |
| 18   | 190.296 | 1315 202 012     |               | Input Shaft                | 1    |                     |       | ●             |               |  |  |  |  |
| 18   | 190.297 | 1316 202 005     |               | Input Shaft                | 1    |                     |       |               | ●             |  |  |  |  |
| 19   | 130.518 | 0750 117 732     | 81 93420 0329 | Bearing D.85x150x30,50     | 1    |                     |       | ●             | ●             |  |  |  |  |
| 20   | 145.513 | 1315 302 173     | 81 32302 0027 | Constant Gear 34 T         | 1    |                     | A     | ●             |               |  |  |  |  |
| 20   | 145.556 | 1315 302 158     | 81 32302 0051 | Constant Gear 35 T         | 1    |                     | C     | ●             |               |  |  |  |  |
| 20   | 145.553 | 1315 302 157     | 81 32302 0046 | Constant Gear 30 T         | 1    |                     | D     | ●             |               |  |  |  |  |
| 20   | 145.487 | 1316 302 065     | 85 32301 0001 | Constant Gear 34 T         | 1    |                     | A     |               | ●             |  |  |  |  |
| 20   | 145.554 | 1316 302 067     | 81 32302 0031 | Constant Gear 35 T         | 1    |                     | C     |               | ●             |  |  |  |  |
| 20   | 145.483 | 1316 302 066     | 81 32302 0047 | Constant Gear 30 T         | 1    |                     | D     |               | ●             |  |  |  |  |
| 21   | 190.304 | 1315 202 037     | 81 32205 0267 | Input Shaft                | 1    | L=125 H=31,5        |       | ●             |               |  |  |  |  |
| 21   | 190.315 | 1315 202 040     |               | Input Shaft                | 1    | L=102 H=32          |       | ●             |               |  |  |  |  |
| 21   |         | 1315 202 048     | 81 32205 0260 | Input Shaft                | 1    | With WSK400         |       | ●             |               |  |  |  |  |
| 21   | 190.317 | 1315 221 002     |               | Input Shaft                | 1    | NMV221 (Clutch PTO) |       | ●             |               |  |  |  |  |
| 21   | 190.303 | 1316 202 025     | 85 32205 0001 | Input Shaft                | 1    | L=134 H=32          |       |               | ●             |  |  |  |  |
| 21   | 190.300 | 1316 202 026     |               | Input Shaft                | 1    |                     |       |               | ●             |  |  |  |  |

## Notes

- (1) Only for Input S. 1315 202 048-1316 202 033  
 (2) Only for Input S. 1315 221 002-1316 221 017  
 (3) Only for Input S. 1315 202 022 - Old Version with Needle B.  
 (4) Only for Input S. 1315 202 012 - Old version with Needle B.  
 (5) Only for Input S. 1316 202 005 - Old version with Needle B.  
 (6) Do not use for Old version with Needle Bearings  
 (7) Old Version. Repl. By 1315 304 089+1315 303 050  
 (8) Old Version. Repl. By 1316 304 103+1316 303 065  
 (9) For model WITH integrated Oil Pump  
 (10) For model WITHOUT integrated Oil Pump  
 (11) Old Version. Use 1316 303 002 with 1316 303 053  
 (12) Old Version. Use 1316 303 001 with 1316 303 052  
 (13) Old Version. Repl. by 1 pc. Fig. 73 + 1 pc. Fig. 74 (\*) New Models only. DO NO MIX Single Cone S. with Double Cone S.  
 (14) Latest Synchro gen. DO NO MIX the two different version. To update the previous one use the synchro rebuilt kit fig. 79  
 (15) Latest Synchro gen. DO NO MIX the two different version. To update the previous one use the synchro rebuilt kit fig. 80

## Date

03 / 2006

## Table

007 / A



| Fig. | CEI no. | O.E.M. Reference |               | Description             | Q.ty | Note                | Ratio |   |   |  |  |  |
|------|---------|------------------|---------------|-------------------------|------|---------------------|-------|---|---|--|--|--|
|      |         | ZF no.           | M.A.N. no.    |                         |      |                     |       |   |   |  |  |  |
| 21   | 190.310 | 1316 202 033     |               | Input Shaft             | 1    | L=63 H=46,5/WSK400  |       | ● |   |  |  |  |
| 21   |         | 1316 202 038     |               | Input Shaft             | 1    |                     |       | ● |   |  |  |  |
| 21   |         | 1316 221 017     |               | Input Shaft             | 1    | NMV221 (Clutch PTO) |       | ● |   |  |  |  |
| 22   | 109.134 | 1312 304 027     | 81 32425 0092 | Synchronizer Cone       | 1    |                     |       | ● | ● |  |  |  |
| 23   | 119.119 | 1297 304 402     | 81 32420 0146 | Synchronizer Ring       | 2    | Old Type            |       | ● | ● |  |  |  |
| 23   | 119.167 | 1297 304 484     | 81 32420 0230 | Synchronizer Ring       | 2    | New Type            |       | ● | ● |  |  |  |
| 24   | 154.135 | 1310 304 202     | 81 32402 0197 | Sliding Sleeve          | 1    |                     |       | ● | ● |  |  |  |
| 25   | 109.133 | 1312 304 056     | 81 32425 0093 | Synchronizer Cone       | 1    |                     |       | ● | ● |  |  |  |
| 26   | 137.150 | 0750 117 232     | 81 93501 0080 | Roller Cage D.42x40,30  | 1    |                     |       | ● | ● |  |  |  |
| 27   |         | 1315 304 048     | 81 32313 0302 | Ring                    | 1    | S.8,00 mm           |       | ● | ● |  |  |  |
| 27   |         | 1315 304 043     | 81 32313 0263 | Ring                    | 1    | S.7,50 mm           |       | ● | ● |  |  |  |
| 28   | 169.776 | 0750 101 158     | 81 32313 0322 | Thrust Washer 81,5x5    | 2    | (6)                 |       | ● | ● |  |  |  |
| 29   | 117.321 | 0750 119 125     | 81 37260 0007 | Bush 67x77x54,1         | 1    | (6)                 |       | ● |   |  |  |  |
| 29   | 117.320 | 0750 119 124     | 81 37260 0006 | Bush D.67x77x66,10      | 1    | (6)                 |       | ● |   |  |  |  |
| 30   | 137.164 | 0750 115 534     | 81 93404 0062 | Roller Cage 77x101x29   | 2    | (6)                 |       | ● |   |  |  |  |
| 30   | 137.156 | 0750 118 198     | 81 93420 0242 | Roller Cage D.67x101x32 | 2    | (3-4)               |       | ● |   |  |  |  |
| 30   | 137.136 | 0750 115 531     | 81 93404 0061 | Roller Cage D.77x101x29 | 2    | (6)                 |       | ● |   |  |  |  |
| 30   |         | 0750 118 258     | 81 93420 0269 | Roller Cage D.67x101x38 | 2    | (5)                 |       | ● |   |  |  |  |
| 31   | 146.431 | 1315 304 017     | 81 32301 0860 | Gear 4th Speed 30 T     | 1    |                     | AB    | ● |   |  |  |  |
| 31   | 146.320 | 1315 304 089     | 81 32302 0059 | Gear 4th Speed 32 T     | 1    |                     | CDE   | ● |   |  |  |  |
| 31   | 145.729 | 1315 304 010     |               | Gear 4th Speed          | 1    | Old (7)             | D     | ● |   |  |  |  |
| 31   | 146.410 | 1316 304 007     | 81 32301 0869 | Gear 4th Speed 30 T     | 1    |                     | A     | ● |   |  |  |  |
| 31   | 146.401 | 1316 304 103     | 81 32302 0035 | Gear 4th Speed 32 T     | 1    |                     | CD    | ● |   |  |  |  |
| 31   | 145.730 | 1316 304 006     |               | Gear 4th Speed          | 1    | Old (8)             | D     | ● |   |  |  |  |
| 33   | 109.134 | 1312 304 027     | 81 32425 0092 | Synchronizer Cone       | 2    |                     |       | ● | ● |  |  |  |
| 33   | 109.385 | 1316 304 159     |               | Synchronizer Cone       | 2    |                     | (#)   | ● | ● |  |  |  |
| 34   | 119.119 | 1297 304 402     | 81 32420 0146 | Synchronizer Ring       | 2    | Old Type            |       | ● | ● |  |  |  |
| 34   | 119.167 | 1297 304 484     | 81 32420 0230 | Synchronizer Ring       | 2    | New Type            |       | ● | ● |  |  |  |
| 34   | 119.217 | 1316 304 149     |               | Synchronizer Ring       | 2    |                     | (#)   | ● | ● |  |  |  |
| 35   | 157.180 | 1312 304 052     | 81 32420 0151 | Synchronizer Hub        | 1    |                     |       | ● | ● |  |  |  |
| 35   | 157.227 | 1316 304 162     |               | Synchronizer Hub        | 1    |                     | (#)   | ● | ● |  |  |  |
| 36   | 154.135 | 1310 304 202     | 81 32402 0197 | Sliding Sleeve          | 1    |                     |       | ● | ● |  |  |  |
| 36   | 154.357 | 1315 304 135     |               | Sliding Sleeve          | 1    |                     | (#)   | ● | ● |  |  |  |
| 37   | 156.140 | 0732 040 409     | 81 97601 0895 | Spring D.6,50x23,50     | 3    |                     |       | ● | ● |  |  |  |
| 38   | 160.189 | 1297 304 436     | 81 32510 0013 | Pressure Piece          | 3    |                     |       | ● | ● |  |  |  |
| 39   | 145.514 | 1315 304 028     | 81 32301 0862 | Gear 3rd Speed 32 T     | 1    |                     | AB    | ● |   |  |  |  |
| 39   | 145.456 | 1315 304 027     | 81 32302 0058 | Gear 3rd Speed 34 T     | 1    |                     | CDE   | ● |   |  |  |  |
| 39   | 145.488 | 1316 304 009     | 81 32301 0870 | Gear 3rd Speed 32 T     | 1    |                     | A     | ● |   |  |  |  |
| 39   | 145.473 | 1316 304 008     | 81 32302 0080 | Gear 3rd Speed 34 T     | 1    |                     | CD    | ● |   |  |  |  |
| 40   | 137.137 | 0735 321 087     | 81 93402 0108 | Needle Cage D.92x100x53 | 2    |                     |       | ● |   |  |  |  |
| 40   | 137.138 | 0750 115 303     | 81 93402 0115 | Needle Cage D.92x100x63 | 2    |                     |       | ● |   |  |  |  |
| 41   | 103.135 | 1315 304 130     | 81 32202 0103 | Main Shaft              | 1    |                     | ACD   | ● |   |  |  |  |
| 41   | 103.127 | 1315 304 029     | 81 32202 0074 | Main Shaft              | 1    |                     | BE    | ● |   |  |  |  |
| 41   | 103.128 | 1316 304 130     | 81 32202 0107 | Main Shaft              | 1    |                     |       | ● |   |  |  |  |
| 42   | 145.455 | 1315 304 026     | 81 32301 0861 | Gear 2nd Speed 37 T     | 1    |                     | AB    | ● |   |  |  |  |

## Notes

- (1) Only for Input S. 1315 202 048-1316 202 033  
 (2) Only for Input S. 1315 221 002-1316 221 017  
 (3) Only for Input S. 1315 202 022 - Old Version with Needle B.  
 (4) Only for Input S. 1315 202 012 - Old version with Needle B.  
 (5) Only for Input S. 1316 202 005 - Old version with Needle B.  
 (6) Do not use for Old version with Needle Bearings  
 (7) Old Version. Repl. By 1315 304 089+1315 303 050  
 (8) Old Version. Repl. By 1316 304 103+1316 303 065  
 (9) For model WITH integrated Oil Pump  
 (10) For model WITHOUT integrated Oil Pump  
 (11) Old Version. Use 1316 303 002 with 1316 303 053  
 (12) Old Version. Use 1316 303 001 with 1316 303 052  
 (13) Old Version. Repl. by 1 pc. Fig. 73 + 1 pc. Fig. 74 (\*) New Models only. Do NO MIX Single Cone S. with Double Cone S.  
 (14) Latest Synchro gen. DO NO MIX the two different version. To update the previous one use the synchro rebuilt kit fig. 79  
 (15) Latest Synchro gen. DO NO MIX the two different version. To update the previous one use the synchro rebuilt kit fig. 79

## Date

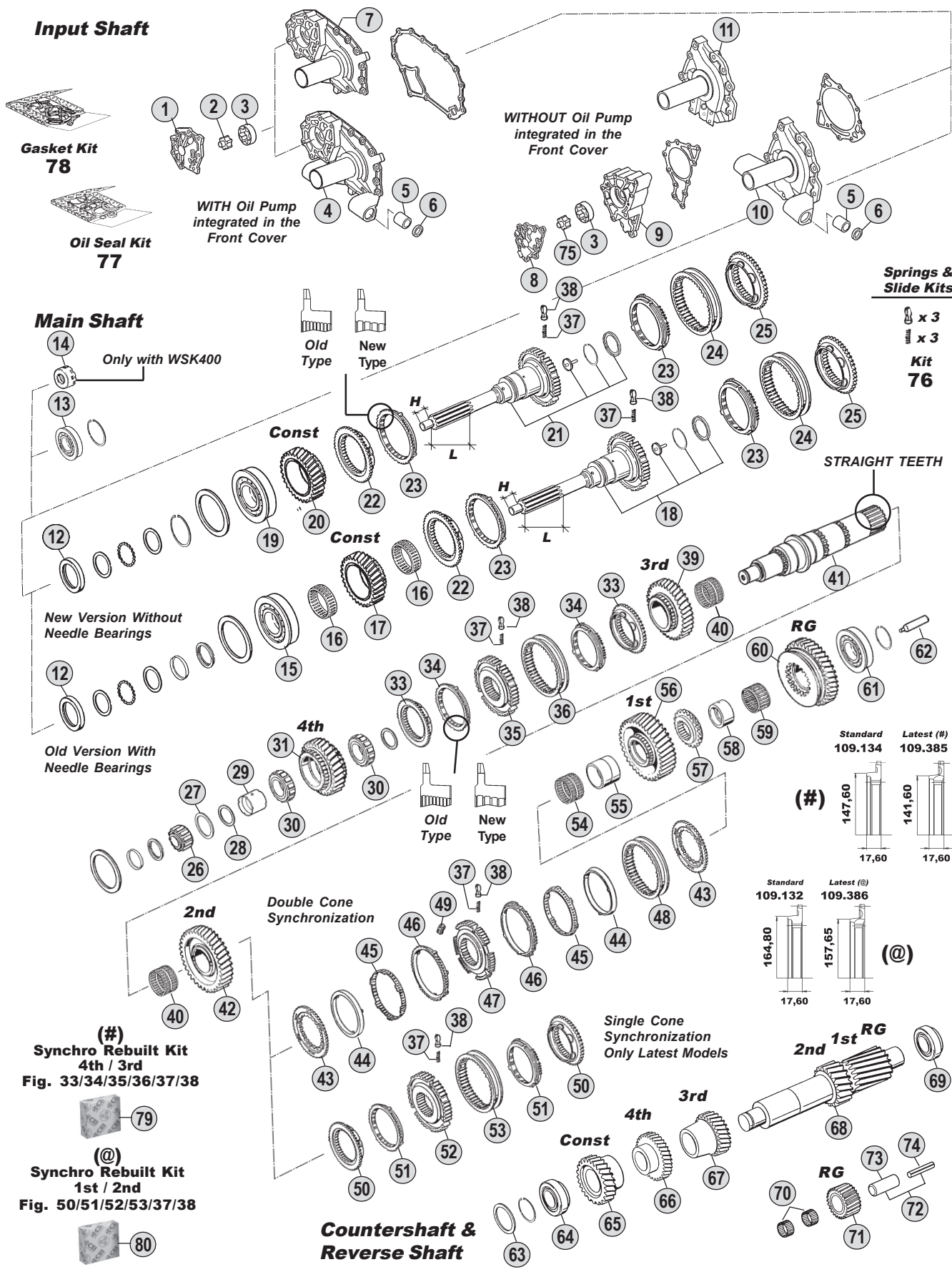
03 / 2006

## Table

007 / A

Suitable To : **ZF**

**16S151 - 16S221**



All original equipment manufacturers' numbers, symbols, pictures, models and description used in this catalogue are for reference only, and it is not implied that any part listed is the product of these manufactures. Tutti i nostri particolari non sono originali ma con essi intercambiabili. I riferimenti originali, le figure, i modelli sono esposti a semplice titolo indicativo. La nostra produzione riporta il nostro marchio.

**Ratios**

|        |               |                 |                 |                 |               |
|--------|---------------|-----------------|-----------------|-----------------|---------------|
| 16S151 | A: 13,80-0,84 | B: 13,85 - 0,84 | C: 13,86 - 0,84 | D: 16,47 - 1,00 | E: 16,53-1,00 |
| 16S221 | A: 13,80-0,84 | B: --           | C: 13,86 - 0,84 | D: 16,47 - 1,00 | E: -          |

| Fig. | CEI no. | O.E.M. Reference |               | Description             | Q.ty | Note           | Ratio |   |   |  |  |  |  |  |
|------|---------|------------------|---------------|-------------------------|------|----------------|-------|---|---|--|--|--|--|--|
|      |         | ZF no.           | M.A.N. no.    |                         |      |                |       |   |   |  |  |  |  |  |
| 42   | 145.454 | 1315 304 025     | 81 32302 0055 | Gear 2nd Speed 38 T     | 1    |                | CDE   | ● |   |  |  |  |  |  |
| 42   | 145.515 | 1316 304 003     | 81 32301 0868 | Gear 2nd Speed 37 T     | 1    |                | A     |   | ● |  |  |  |  |  |
| 42   | 145.474 | 1316 304 002     | 81 32302 0071 | Gear 2nd Speed 38 T     | 1    |                | CD    |   | ● |  |  |  |  |  |
| 43   | 109.176 | 1312 304 106     | 81 32425 0103 | Synchronizer Cone       | 2    |                |       | ● | ● |  |  |  |  |  |
| 44   | 119.152 | 1268 304 424     | 81 32420 0163 | Intermediate Ring       | 2    |                |       | ● | ● |  |  |  |  |  |
| 45   | 119.153 | 1268 304 494     | 81 30120 0051 | Intermediate Cone       | 2    |                |       | ● | ● |  |  |  |  |  |
| 46   | 119.144 | 1268 304 525     | 81 32420 0161 | Synchronizer Ring       | 2    |                |       | ● | ● |  |  |  |  |  |
| 47   | 157.181 | 1312 304 158     | 81 32420 0181 | Synchronizer Hub        | 1    |                |       | ● | ● |  |  |  |  |  |
| 48   | 154.190 | 1310 304 175     | 81 32402 0191 | Sliding Sleeve          | 1    |                |       | ● | ● |  |  |  |  |  |
| 49   | 156.176 | 1312 304 159     | 81 38108 0005 | Pad                     | 3    |                |       | ● | ● |  |  |  |  |  |
| 50   | 109.132 | 1313 304 009     | 81 32425 0094 | Synchronizer Cone       | 2    | (*)            |       | ● | ● |  |  |  |  |  |
| 50   | 109.386 | 1316 304 156     |               | Synchronizer Cone       | 2    |                | (@)   | ● | ● |  |  |  |  |  |
| 51   | 119.122 | 1297 304 401     | 81 32420 0148 | Synchronizer Ring       | 2    | (*) Old Type   |       | ● | ● |  |  |  |  |  |
| 51   | 119.166 | 1297 304 485     | 81 32420 0241 | Synchronizer Ring       | 2    | (*) New Type   |       | ● | ● |  |  |  |  |  |
| 51   | 119.218 | 1316 304 150     |               | Synchronizer Ring       | 2    |                | (@)   | ● | ● |  |  |  |  |  |
| 52   | 157.189 | 1313 304 008     | 81 32420 0149 | Synchronizer Hub        | 1    | (*)            |       | ● | ● |  |  |  |  |  |
| 52   | 157.228 | 1316 304 163     |               | Synchronizer Hub        | 1    |                | (@)   | ● | ● |  |  |  |  |  |
| 53   | 154.202 | 1316 304 078     | 81 32402 0189 | Sliding Sleeve          | 1    | (*)            |       | ● | ● |  |  |  |  |  |
| 53   | 154.358 | 1315 304 136     |               | Sliding Sleeve          | 1    |                | (@)   | ● | ● |  |  |  |  |  |
| 54   | 137.160 | 0750 115 325     | 81 93402 0109 | Needle Cage D.96x104x55 | 1    |                |       | ● |   |  |  |  |  |  |
| 54   | 137.151 | 0750 115 327     | 81 93402 0116 | Needle Cage D.96x104x72 | 1    |                |       |   | ● |  |  |  |  |  |
| 55   | 117.294 | 1313 304 038     | 81 93021 0106 | Bush                    | 1    |                |       | ● |   |  |  |  |  |  |
| 55   | 117.310 | 1312 304 084     | 81 93021 0143 | Bush D.85x96x72         | 1    |                |       |   | ● |  |  |  |  |  |
| 56   | 145.453 | 1315 304 014     | 81 32301 0859 | Gear 1st Speed 44 T     | 1    |                | AB    | ● |   |  |  |  |  |  |
| 56   | 145.452 | 1315 304 004     | 81 32302 0056 | Gear 1st Speed 47 T     | 1    |                | CDE   | ● |   |  |  |  |  |  |
| 56   | 145.522 | 1316 304 013     | 81 32301 0871 | Gear 1st Speed 44 T     | 1    |                | A     |   | ● |  |  |  |  |  |
| 56   | 145.475 | 1316 304 010     | 81 32302 0034 | Gear 1st Speed 47 T     | 1    |                | CD    |   | ● |  |  |  |  |  |
| 57   | 109.144 | 1315 304 018     | 81 32425 0114 | Engaging Ring           | 1    |                |       | ● |   |  |  |  |  |  |
| 57   | 109.163 | 1312 304 124     | 81 32425 0117 | Engaging Ring           | 1    |                |       |   | ● |  |  |  |  |  |
| 58   | 117.293 | 1315 304 132     | 81 93021 0383 | Bush                    | 1    |                |       | ● |   |  |  |  |  |  |
| 58   | 117.311 | 1316 304 133     | 81 93021 0388 | Bush D.80x90x50         | 1    |                |       |   | ● |  |  |  |  |  |
| 59   | 137.162 | 0750 115 324     | 81 93402 0110 | Roller Cage D.90x98x41  | 1    |                |       | ● |   |  |  |  |  |  |
| 59   | 137.140 | 0750 115 326     | 81 93402 0117 | Roller Cage D.90x98x50  | 1    |                |       |   | ● |  |  |  |  |  |
| 60   | 147.124 | 1315 304 013     | 81 32301 0858 | Reverse Gear 42 T       | 1    |                | AB    | ● |   |  |  |  |  |  |
| 60   | 147.123 | 1315 304 006     | 81 32302 0057 | Reverse Gear 44 T       | 1    |                | CDE   | ● |   |  |  |  |  |  |
| 60   | 147.144 | 1316 304 015     | 81 32301 0872 | Reverse Gear 42 T       | 1    |                | A     |   | ● |  |  |  |  |  |
| 60   | 147.128 | 1316 304 012     | 81 32301 0994 | Reverse Gear 44 T       | 1    |                | CD    |   | ● |  |  |  |  |  |
| 61   | 130.309 | 0750 117 677     | 81 93420 0312 | Bearing D.80x130x36     | 1    |                |       | ● |   |  |  |  |  |  |
| 61   | 130.304 | 0750 117 678     | 06 32499 0191 | Bearing D.80x140x36,50  | 1    |                |       |   | ● |  |  |  |  |  |
| 62   | 188.209 | 1312 304 150     | 81 32562 0146 | Oil Tube                | 1    |                |       | ● | ● |  |  |  |  |  |
| 63   |         | 0730 102 099     | 81 90711 0742 | Washer                  | 1    | S.3,00 mm (9)  |       | ● |   |  |  |  |  |  |
| 63   |         | 0730 102 072     | 81 90711 0762 | Washer                  | 1    | S.2,0 mm (9)   |       | ● |   |  |  |  |  |  |
| 63   |         | 0730 106 917     | 81 32313 0197 | Washer                  | 1    | S.3,00 mm (10) |       | ● |   |  |  |  |  |  |
| 63   |         | 0730 101 471     | 81 32313 0177 | Washer                  | 1    | S.2,00 mm (10) |       | ● |   |  |  |  |  |  |
| 63   |         | 0730 106 917     | 81 32313 0197 | Washer                  | 1    | S.3,00 mm      |       | ● |   |  |  |  |  |  |

## Notes

- (1) Only for Input S. 1315 202 048-1316 202 033  
 (2) Only for Input S. 1315 221 002-1316 221 017  
 (3) Only for Input S. 1315 202 022 - Old Version with Needle B.  
 (4) Only for Input S. 1315 202 012 - Old version with Needle B.  
 (5) Only for Input S. 1316 202 005 - Old version with Needle B.  
 (6) Do not use for Old version with Needle Bearings  
 (7) Old Version. Repl. By 1315 304 089+1315 303 050  
 (8) Old Version. Repl. By 1316 304 103+1316 303 065  
 (9) For model WITH integrated Oil Pump  
 (10) For model WITHOUT integrated Oil Pump  
 (11) Old Version. Use 1316 303 002 with 1316 303 053  
 (12) Old Version. Use 1316 303 001 with 1316 303 052  
 (13) Old Version. Repl. by 1 pc. Fig. 73 + 1 pc. Fig. 74  
 (\*) New Models only. Do NO MIX Single Cone S. with Double Cone S.  
 @) Latest Synchro gen. DO NO MIX the two different version. To update the previous one use the synchro rebuilt kit fig. 79  
 @) Latest Synchro gen. DO NO MIX the two different version. To update the previous one use the synchro rebuilt kit fig. 80

## Date

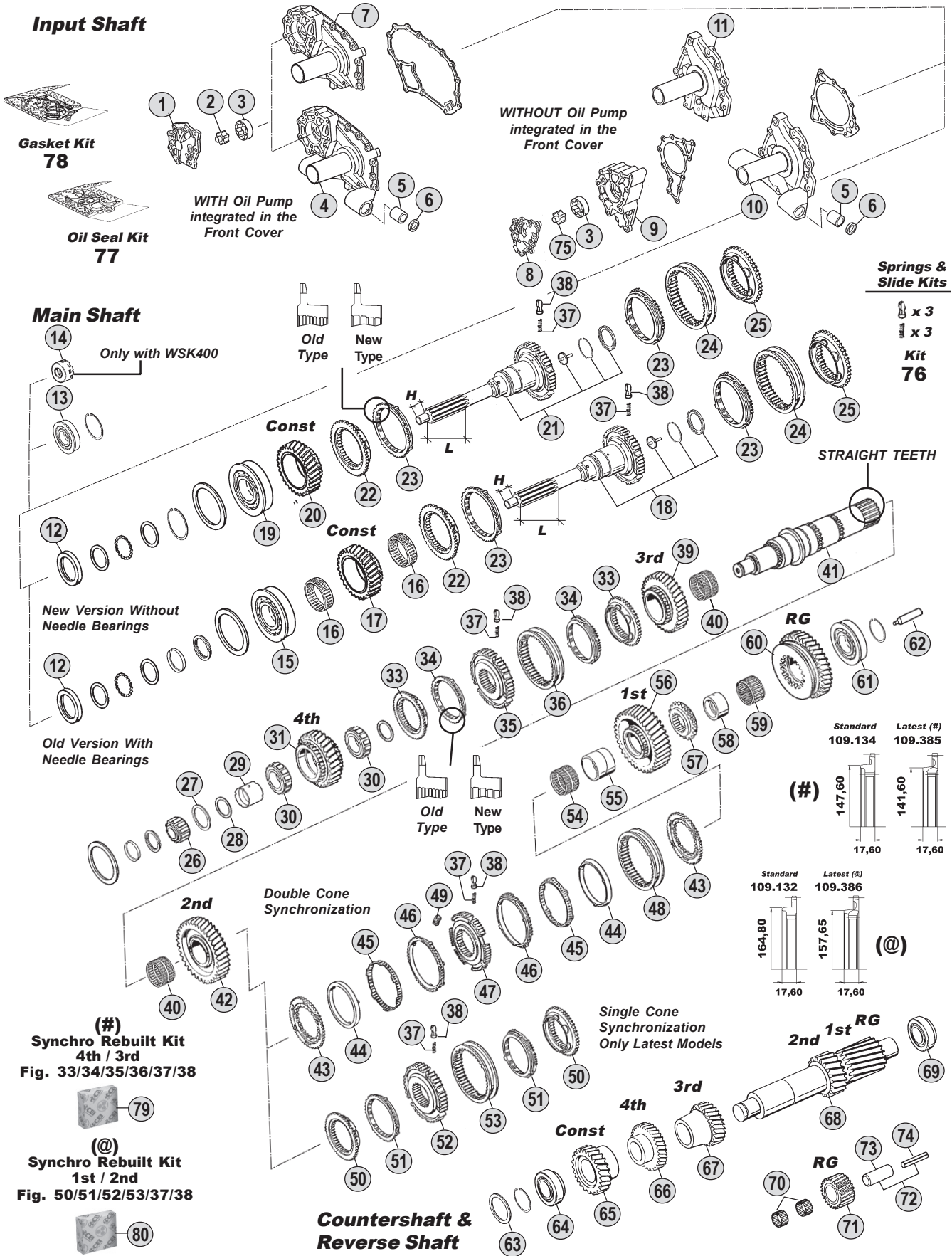
03 / 2006

## Table

007 / A

Suitable To : **ZF**

**16S151 - 16S221**



**Ratios**

|        |               |                 |                 |                 |               |
|--------|---------------|-----------------|-----------------|-----------------|---------------|
| 16S151 | A: 13,80-0,84 | B: 13,85 - 0,84 | C: 13,86 - 0,84 | D: 16,47 - 1,00 | E: 16,53-1,00 |
| 16S221 | A: 13,80-0,84 | B: --           | C: 13,86 - 0,84 | D: 16,47 - 1,00 | E: -          |



All original equipment manufacturers' numbers, symbols, pictures, models and description used in this catalogue are for reference only, and it is not implied that any part listed is the product of these manufactures. Tutti i nostri particolari non sono originali ma con essi intercambiabili. I riferimenti originali, le figure, i modelli sono esposti a semplice titolo indicativo. La nostra produzione riporta il nostro marchio.

| Fig. | CEI no. | O.E.M. Reference |               | Description               | Q.ty | Note      | Ratio |               |               |  |  |  |
|------|---------|------------------|---------------|---------------------------|------|-----------|-------|---------------|---------------|--|--|--|
|      |         | ZF no.           | M.A.N. no.    |                           |      |           |       | 16S151 (1315) | 16S221 (1316) |  |  |  |
| 63   |         | 0730 101 471     | 81 32313 0177 | Washer                    | 1    | S.2,00 mm |       | ●             |               |  |  |  |
| 64   | 130.242 | 0750 117 010     | 81 93420 0132 | Bearing D.50,80x100x35    | 1    | (9)       |       | ●             |               |  |  |  |
| 64   | 130.308 | 0750 117 009     | 81 93420 0187 | Bearing D.49,2x103,1x43,6 | 1    | (10)      |       | ●             |               |  |  |  |
| 64   | 130.308 | 0750 117 009     | 81 93420 0187 | Bearing D.49,2x103,1x43,6 | 1    |           |       | ●             |               |  |  |  |
| 65   | 146.427 | 1315 303 052     | 81 32302 0002 | Constant Gear 37 T        | 1    |           | AB    | ●             |               |  |  |  |
| 65   | 146.473 | 1315 303 051     | 81 32302 0053 | Constant Gear 32 T        | 1    |           | C     | ●             |               |  |  |  |
| 65   | 146.367 | 1315 303 008     |               | Constant Gear 39 T        | 1    |           | DE    | ●             |               |  |  |  |
| 65   | 146.407 | 1316 303 031     | 81 32301 0935 | Constant Gear 37 T        | 1    |           | A     | ●             |               |  |  |  |
| 65   | 146.428 | 1316 303 002     | 81 32301 0865 | Constant Gear 37 T        | 1    | Old (11)  | A     | ●             |               |  |  |  |
| 65   | 146.469 | 1316 303 064     | 81 32302 0032 | Constant Gear 32 T        | 1    |           | C     | ●             |               |  |  |  |
| 65   | 146.486 | 1316 303 030     | 81 32302 0079 | Constant Gear 39 T        | 1    |           | D     | ●             |               |  |  |  |
| 65   | 146.388 | 1316 303 001     |               | Constant Gear 39 T        | 1    | Old (12)  | D     | ●             |               |  |  |  |
| 66   | 146.429 | 1315 303 046     | 81 32301 0856 | Gear 4th Speed 39 T       | 1    |           | AB    | ●             |               |  |  |  |
| 66   | 146.474 | 1315 303 050     | 81 32302 0054 | Gear 4th Speed 35 T       | 1    |           | CDE   | ●             |               |  |  |  |
| 66   | 146.389 | 1315 303 006     |               | Gear 4th Speed 37 T       | 1    | Old (7)   | D     | ●             |               |  |  |  |
| 66   | 146.408 | 1316 303 004     | 81 32301 0866 | Gear 4th Speed 39 T       | 1    |           | A     | ●             |               |  |  |  |
| 66   | 146.426 | 1316 303 065     | 81 32302 0033 | Gear 4th Speed 35 T       | 1    |           | CD    | ●             |               |  |  |  |
| 66   | 146.390 | 1316 303 003     |               | Gear 4th Speed 37 T       | 1    | Old (8)   | D     | ●             |               |  |  |  |
| 67   | 146.368 | 1315 303 010     | 81 32301 0855 | Gear 3rd Speed 28 T       | 1    |           | AB    | ●             |               |  |  |  |
| 67   | 146.365 | 1315 303 004     | 81 32302 0052 | Gear 3rd Speed 26 T       | 1    |           | CDE   | ●             |               |  |  |  |
| 67   | 146.409 | 1316 303 006     | 81 32301 0867 | Gear 3rd Speed 28 T       | 1    |           | A     | ●             |               |  |  |  |
| 67   | 146.391 | 1316 303 005     | 81 32302 0078 | Gear 3rd Speed 26 T       | 1    |           | CD    | ●             |               |  |  |  |
| 68   | 105.112 | 1315 303 048     | 81 32206 0095 | Countershaft 19-23 T      | 1    | (9)       | AB    | ●             |               |  |  |  |
| 68   | 105.095 | 1315 303 049     | 81 32206 0119 | Countershaft 17-20 T      | 1    | (9)       | DE    | ●             |               |  |  |  |
| 68   | 105.109 | 1315 303 041     | 81 32206 0106 | Countershaft 19-23 T      | 1    | (10)      | A     | ●             |               |  |  |  |
| 68   | 105.124 | 1315 303 042     | 81 32206 0129 | Countershaft 17-20 T      | 1    | (10)      | CD    | ●             |               |  |  |  |
| 68   | 105.103 | 1316 303 034     | 81 32206 0107 | Countershaft 19-23 T      | 1    |           | A     | ●             |               |  |  |  |
| 68   | 105.110 | 1316 303 053     | 81 32206 0121 | Countershaft 19-23 T      | 1    | (11)      | A     | ●             |               |  |  |  |
| 68   | 105.100 | 1316 303 033     | 81 32206 0130 | Countershaft 17-20 T      | 1    |           | CD    | ●             |               |  |  |  |
| 68   | 105.096 | 1316 303 052     | 81 32206 0120 | Countershaft 17-20 T      | 1    | (12)      | D     | ●             |               |  |  |  |
| 69   | 130.307 | 0750 117 011     | 81 93420 0134 | Bearing D.50,8x104,7x39,6 | 1    |           |       | ●             |               |  |  |  |
| 69   | 130.308 | 0750 117 009     | 81 93420 0187 | Bearing D.49,2x103,1x43,6 | 1    |           |       | ●             |               |  |  |  |
| 70   | 137.135 | 0750 115 366     | 81 93402 0127 | Needle Cage D.45x57x21    | 2    |           |       | ●             |               |  |  |  |
| 70   | 137.149 | 0750 115 369     | 81 93402 0128 | Needle Cage D.45x57x25    | 2    |           |       | ●             |               |  |  |  |
| 71   | 147.142 | 1315 305 005     | 81 32315 0054 | Reverse Gear 20 T         | 1    |           | AB    | ●             |               |  |  |  |
| 71   | 147.126 | 1315 305 002     | 81 32315 0060 | Reverse Gear 22 T         | 1    |           | CDE   | ●             |               |  |  |  |
| 71   | 147.143 | 1316 305 002     | 81 32315 0055 | Reverse Gear 20 T         | 1    |           | A     | ●             |               |  |  |  |
| 71   | 147.127 | 1316 305 001     | 81 32315 0058 | Reverse Gear 22 T         | 1    |           | CD    | ●             |               |  |  |  |
| 72   |         | 1315 201 054     |               | Reverse Shaft             | 1    | Old (13)  | AB    | ●             |               |  |  |  |
| 72   |         | 1315 201 053     |               | Reverse Shaft             | 1    | Old (13)  | CDE   | ●             |               |  |  |  |
| 72   |         | 1316 201 030     |               | Reverse Shaft             | 1    | Old (13)  | A     | ●             |               |  |  |  |
| 72   | 190.301 | 1316 201 029     |               | Reverse Shaft             | 1    | Old (13)  | CD    | ●             |               |  |  |  |
| 73   | 190.302 | 1315 305 009     | 81 32523 0178 | Reverse Shaft             | 1    | New       |       | ●             | ●             |  |  |  |
| 74   |         | 0631 329 293     | 06 22120 1229 | Pin                       | 1    | New       | AB    | ●             |               |  |  |  |
| 74   |         | 0631 329 294     |               | Pin                       | 1    | New       | CDE   | ●             |               |  |  |  |

## Notes

- (1) Only for Input S. 1315 202 048-1316 202 033  
 (2) Only for Input S. 1315 221 002-1316 221 017  
 (3) Only for Input S. 1315 202 022 - Old Version with Needle B.  
 (4) Only for Input S. 1315 202 012 - Old version with Needle B.  
 (5) Only for Input S. 1316 202 005 - Old version with Needle B.  
 (6) Do not use for Old version with Needle Bearings  
 (7) Old Version. Repl. By 1315 304 089+1315 303 050  
 (8) Old Version. Repl. By 1316 304 103+1316 303 065  
 (9) For model WITH integrated Oil Pump  
 (10) For model WITHOUT integrated Oil Pump  
 (11) Old Version. Use 1316 303 002 with 1316 303 053  
 (12) Old Version. Use 1316 303 001 with 1316 303 052  
 (13) Old Version. Repl. by 1 pc. Fig. 73 + 1 pc fig. 74 (\*) New Models only. **DO NO MIX** Single Cone S. with Double Cone S.  
 (14) Latest Synchro gen. **DO NO MIX** the two different version. To update the previous one use the **synchro rebuilt kit fig. 79**  
 (15) Latest Synchro gen. **DO NO MIX** the two different version. To update the previous one use the **synchro rebuilt kit fig. 80**

## Date

03 / 2006

## Table

007 / A

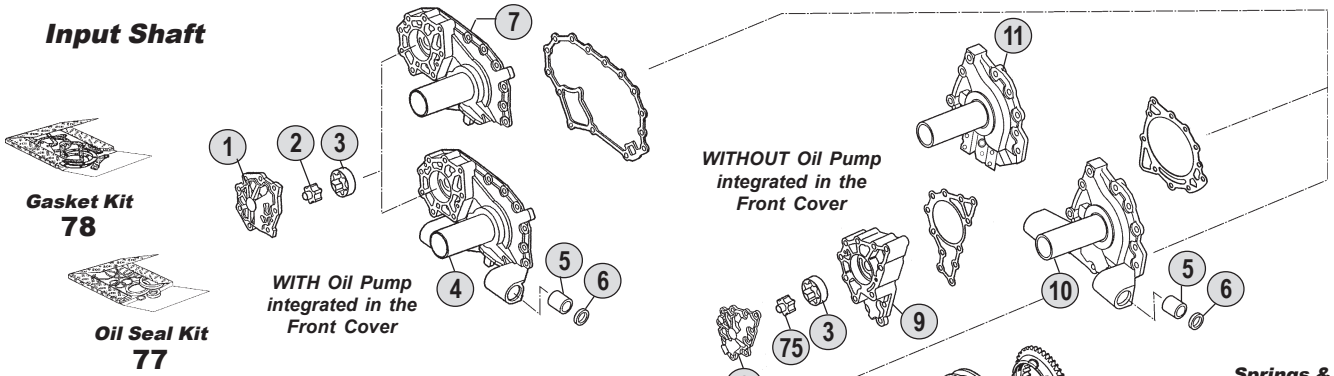




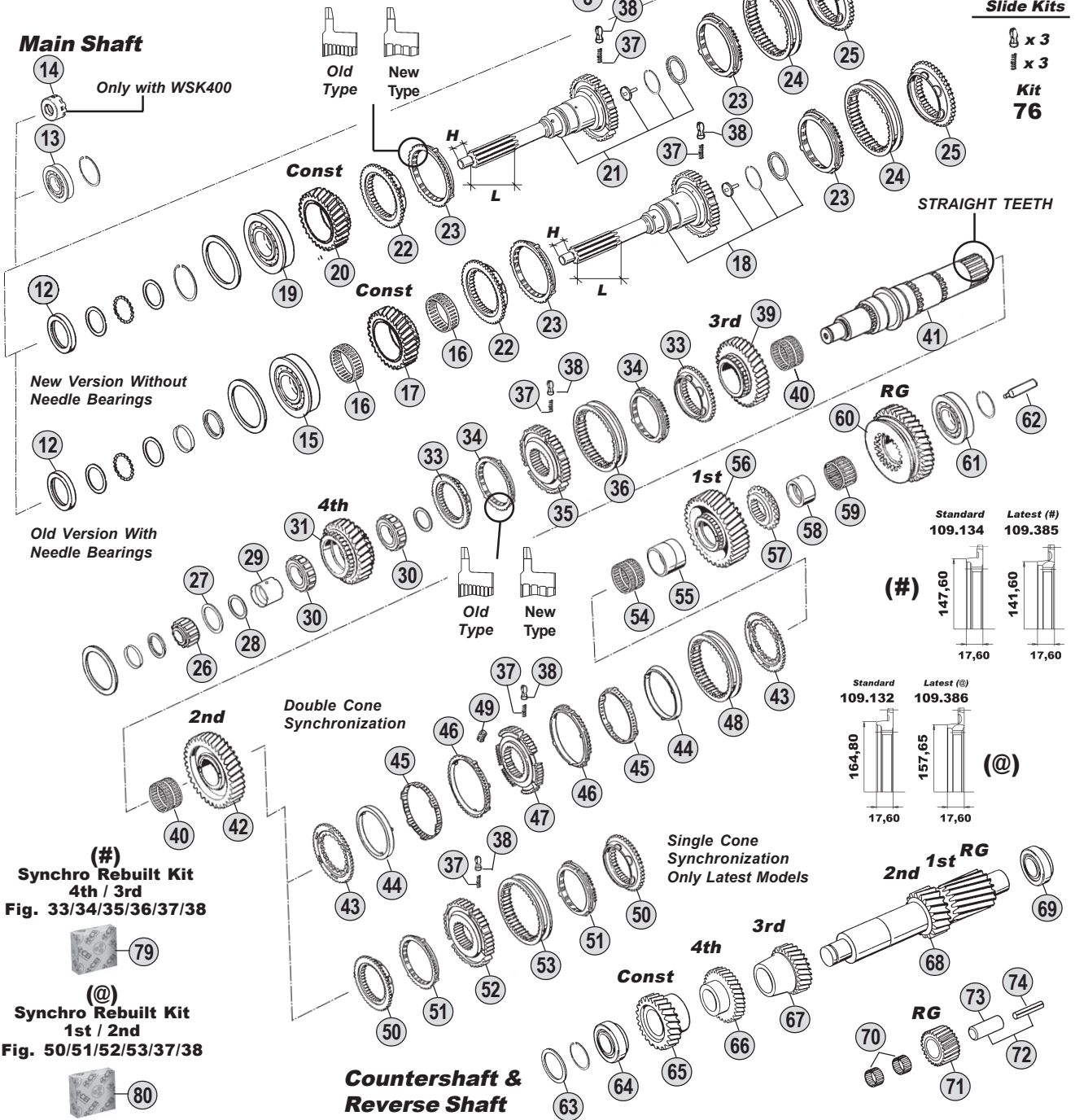
Suitable To : **ZF**

**16S151 - 16S221**

**Input Shaft**



**Main Shaft**



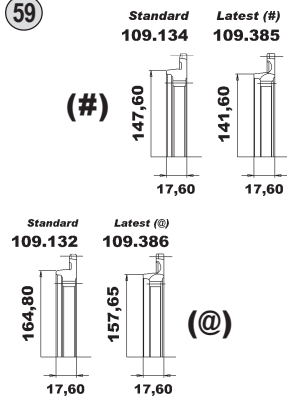
(#)  
**Synchro Rebuild Kit**  
4th / 3rd  
Fig. 33/34/35/36/37/38



(@)  
**Synchro Rebuild Kit**  
1st / 2nd  
Fig. 50/51/52/53/37/38



**Countershaft & Reverse Shaft**



**Ratios**

|        |               |                 |                 |                 |               |
|--------|---------------|-----------------|-----------------|-----------------|---------------|
| 16S151 | A: 13,80-0,84 | B: 13,85 - 0,84 | C: 13,86 - 0,84 | D: 16,47 - 1,00 | E: 16,53-1,00 |
| 16S221 | A: 13,80-0,84 | B: --           | C: 13,86 - 0,84 | D: 16,47 - 1,00 | E: -          |



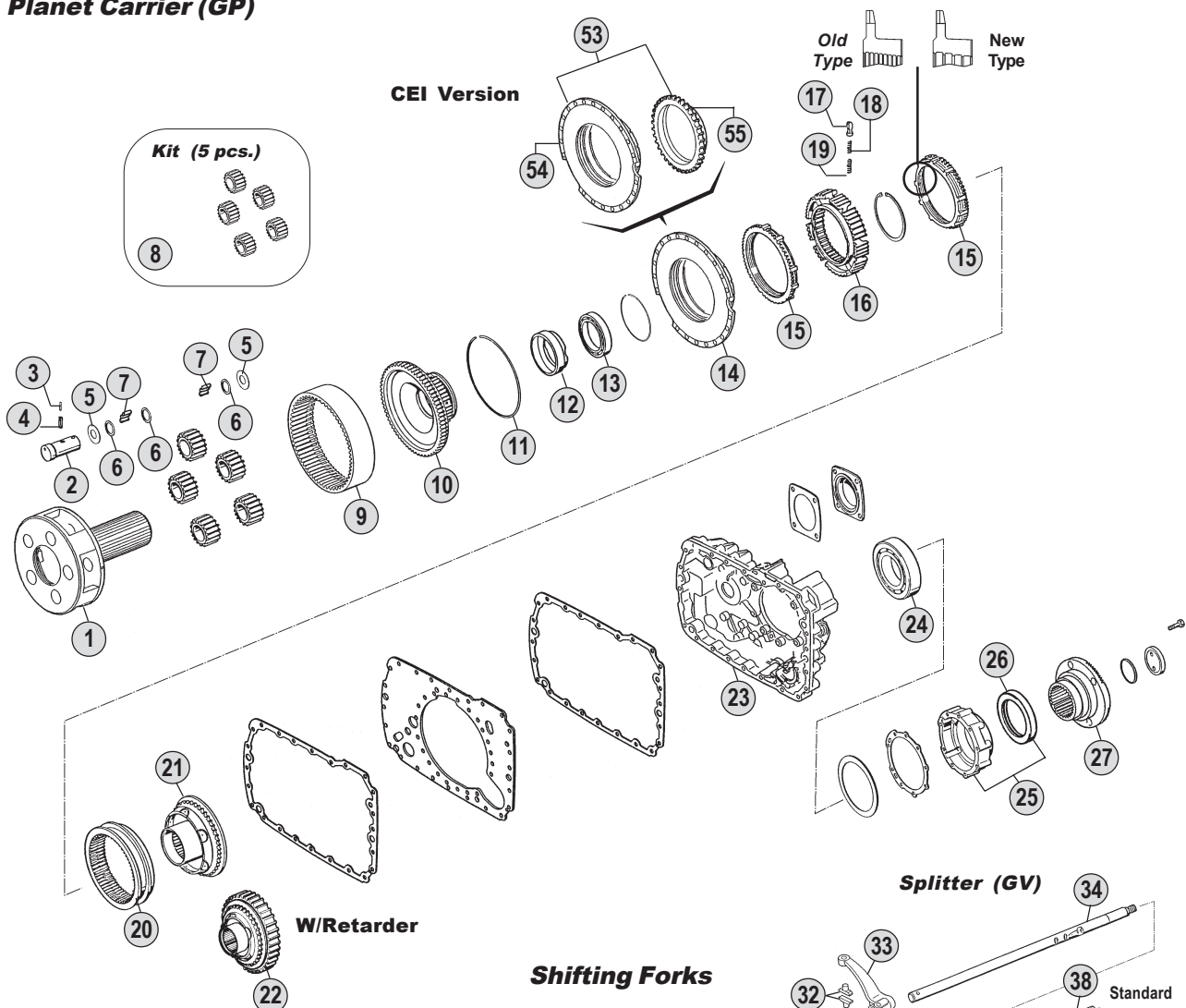
All original equipment manufacturers' numbers, symbols, pictures, models and description used in this catalogue are for reference only, and it is not implied that any part listed is the product of these manufactures. Tutti i nostri particolari non sono originali ma con essi intercambiabili. I riferimenti originali, le figure, i modelli sono esposti a semplice titolo indicativo. La nostra produzione riporta il nostro marchio.



Suitable To : **ZF**

**16S151 - 16S221**

**Planet Carrier (GP)**



**Springs & Slides Kits**

|               |               |               |
|---------------|---------------|---------------|
| x 3           | x 6           | x 9           |
| x 3           | x 6           | x 9           |
| x 3           | x 6           | x 9           |
| <b>Kit 48</b> | <b>Kit 49</b> | <b>Kit 50</b> |

**Kits**



**Ratios**

|               |               |                 |                 |                 |               |
|---------------|---------------|-----------------|-----------------|-----------------|---------------|
| <b>16S151</b> | A: 13,80-0,84 | B: 13,85 - 0,84 | C: 13,86 - 0,84 | D: 16,47 - 1,00 | E: 16,53-1,00 |
| <b>16S221</b> | A: 13,80-0,84 | B: --           | C: 13,86 - 0,84 | D: 16,47 - 1,00 | E: -          |

All original equipment manufacturers' numbers, symbols, pictures, models and description used in this catalogue are for reference only, and it is not implied that any part listed is the product of these manufactures. Tutti i nostri particolari non sono originali ma con essi intercambiabili. I riferimenti originali, le figure, i modelli sono esposti a semplice titolo indicativo. La nostra produzione riporta il nostro marchio.

| Fig. | CEI no. | O.E.M. Reference |               | Description                     | Q.ty | Note          | Ratio |               |               |  |  |  |  |  |
|------|---------|------------------|---------------|---------------------------------|------|---------------|-------|---------------|---------------|--|--|--|--|--|
|      |         | ZF no.           | M.A.N. no.    |                                 |      |               |       | 16S151 (1315) | 16S221 (1316) |  |  |  |  |  |
| 1    | 190.393 | 1296 232 002     | 81 32403 0086 | Planetary Carrier               | 1    |               |       | ●             |               |  |  |  |  |  |
| 1    | 190.392 | 1316 232 006     |               | Planetary Carrier               | 1    |               |       | ●             |               |  |  |  |  |  |
| 2    | 107.164 | 1296 332 005     | 81 32523 0155 | Planet Shaft                    | 5    |               |       | ●             |               |  |  |  |  |  |
| 2    | 107.165 | 1312 332 026     | 81 32523 0160 | Planet Shaft                    | 5    |               |       | ●             |               |  |  |  |  |  |
| 3    | 160.195 | 0631 329 167     | 06 22120 0513 | Lock Pin D.3x26                 | 5    |               |       | ●             | ●             |  |  |  |  |  |
| 4    | 160.194 | 0631 329 051     | 06 22120 0913 | Lock Pin D.5x26                 | 5    |               |       | ●             | ●             |  |  |  |  |  |
| 5    | 169.759 | 0501 308 981     | 81 32313 0123 | Thrust Washer                   | 10   |               |       | ●             | ●             |  |  |  |  |  |
| 6    | 169.744 | 0730 107 168     | 81 32313 0114 | Spacer Ring                     | 15   |               |       | ●             | ●             |  |  |  |  |  |
| 7    | 171.046 | 0735 470 164     | 81 93403 0021 | Roller D.10x15                  | 140  |               |       | ●             |               |  |  |  |  |  |
| 7    | 171.062 | 0750 119 116     | 81 93403 0023 | Roller D.10x16,8                | 140  |               |       | ●             |               |  |  |  |  |  |
| 8    | 198.800 | 1313 232 003     | 81 32301 6011 | Planetary Gear Set (5 pcs)      | 1    |               | ACD   | ●             |               |  |  |  |  |  |
| 8    | 198.816 | 1315 232 001     | 81 32301 6012 | Planetary Gear Set (5 pcs)      | 1    |               | BE    | ●             |               |  |  |  |  |  |
| 8    | 198.801 | 1312 232 014     | 81 37505 6009 | Planetary Gear Set (5 pcs)      | 1    |               |       | ●             |               |  |  |  |  |  |
| 9    | 123.208 | 1295 332 086     | 81 32301 0604 | Crown Gear 86 T                 | 1    |               | ACD   | ●             |               |  |  |  |  |  |
| 9    | 123.221 | 1315 332 003     | 81 32301 0851 | Crown Gear 90 T                 | 1    |               | BE    | ●             |               |  |  |  |  |  |
| 9    | 123.208 | 1295 332 086     | 81 32301 0604 | Crown Gear 86 T                 | 1    |               |       | ●             |               |  |  |  |  |  |
| 10   | 150.133 | 1313 332 020     | 81 32403 0087 | Flange Gear 86 T                | 1    |               | ACD   | ●             |               |  |  |  |  |  |
| 10   | 150.140 | 1315 332 002     | 81 32403 0094 | Flange Gear 90 T                | 1    |               | BE    | ●             |               |  |  |  |  |  |
| 10   | 150.134 | 1297 332 120     | 81 37511 0007 | Flange Gear 86 T                | 1    |               |       | ●             |               |  |  |  |  |  |
| 11   | 111.198 | 0730 505 056     | 81 90820 0371 | Locking Wire                    | 1    |               |       | ●             | ●             |  |  |  |  |  |
| 12   |         | 1297 332 002     | 81 32312 0708 | Ring                            | 1    |               |       | ●             |               |  |  |  |  |  |
| 13   | 130.310 | 0750 116 165     | 81 93410 0083 | Bearing D.80x110x16             | 1    |               |       | ●             |               |  |  |  |  |  |
| 13   | 130.311 | 0635 338 035     |               | Bearing D.100x125x13            | 1    |               |       | ●             |               |  |  |  |  |  |
| 14   | 298.017 | 1315 233 006     | 81 32425 0121 | Synchronizer cone               | 1    |               |       | ●             | ●             |  |  |  |  |  |
| 15   | 119.085 | 1296 333 022     | 81 32420 0096 | Synchronizer Ring               | 2    | Old Type      |       | ●             | ●             |  |  |  |  |  |
| 15   | 119.172 | 1296 333 045     | 81 32420 0236 | Synchronizer Ring               | 2    | New Type      |       | ●             | ●             |  |  |  |  |  |
| 16   | 157.182 | 1313 333 001     | 81 32420 0152 | Synchronizer Hub                | 1    |               |       | ●             |               |  |  |  |  |  |
| 16   | 157.183 | 1297 333 115     | 81 32420 0159 | Synchronizer Hub                | 1    |               |       | ●             |               |  |  |  |  |  |
| 17   | 160.116 | 1240 304 278     | 81 32510 0005 | Pressure Piece                  | 9    |               |       | ●             | ●             |  |  |  |  |  |
| 18   | 156.036 | 0732 040 386     | 81 97601 0758 | Inner Spring De.3x34            | 9    |               |       | ●             | ●             |  |  |  |  |  |
| 19   | 156.037 | 0732 040 385     | 81 97601 0757 | Outer Spring De.6x34            | 9    |               |       | ●             | ●             |  |  |  |  |  |
| 20   | 154.098 | 1296 333 023     | 81 32402 0111 | Sliding Sleeve                  | 1    |               |       | ●             | ●             |  |  |  |  |  |
| 21   | 198.374 | 1313 233 001     | 81 32425 0083 | Synchronizer Cone (38 Spl.)     | 1    |               |       | ●             |               |  |  |  |  |  |
| 21   | 198.790 | 1297 233 056     | 81 32425 0100 | Synchronizer Cone (41 Spl.)     | 1    |               |       | ●             |               |  |  |  |  |  |
| 22   | 196.353 | 1315 233 023     | 81 32425 0127 | Synchronizer Cone 59 T (38 Spl) | 1    | With Retarder |       | ●             |               |  |  |  |  |  |
| 22   | 196.352 | 1316 233 010     | 81 32425 0128 | Synchronizer Cone 59 T (41 Spl) | 1    | With Retarder |       | ●             |               |  |  |  |  |  |
| 23   |         | 1315 301 117     | 81 32103 0134 | Housing                         | 1    |               |       | ●             | ●             |  |  |  |  |  |
| 23   | 175.242 | 1315 301 223     | 81 32106 0223 | Housing                         | 1    | Latest Type   |       | ●             | ●             |  |  |  |  |  |
| 24   | 130.245 | 0750 116 002     | 81 93410 0046 | Bearing D.90x160x30             | 1    |               |       | ●             | ●             |  |  |  |  |  |
| 25   |         | 1315 231 004     |               | Cover                           | 1    |               |       | ●             | ●             |  |  |  |  |  |
| 26   |         | 0750 111 341     | 81 96503 0236 | Oil Seal 105x130x12             | 1    |               |       | ●             | ●             |  |  |  |  |  |
| 27   |         | 1315 338 002     | 81 39115 0370 | Output Flange                   | 1    | D.180-4.H.    |       | ●             |               |  |  |  |  |  |
| 27   |         | 1313 338 002     | 81 39115 0255 | Output Flange                   | 1    | D.180-4.H.    |       | ●             |               |  |  |  |  |  |
| 27   |         | 1313 338 011     |               | Output Flange                   | 1    | D.204-4.H.    |       | ●             |               |  |  |  |  |  |
| 27   |         | 1315 238 001     |               | Output Flange                   | 1    | D.222-4.H.    |       | ●             |               |  |  |  |  |  |

Notes

Date

03 / 2006

Table

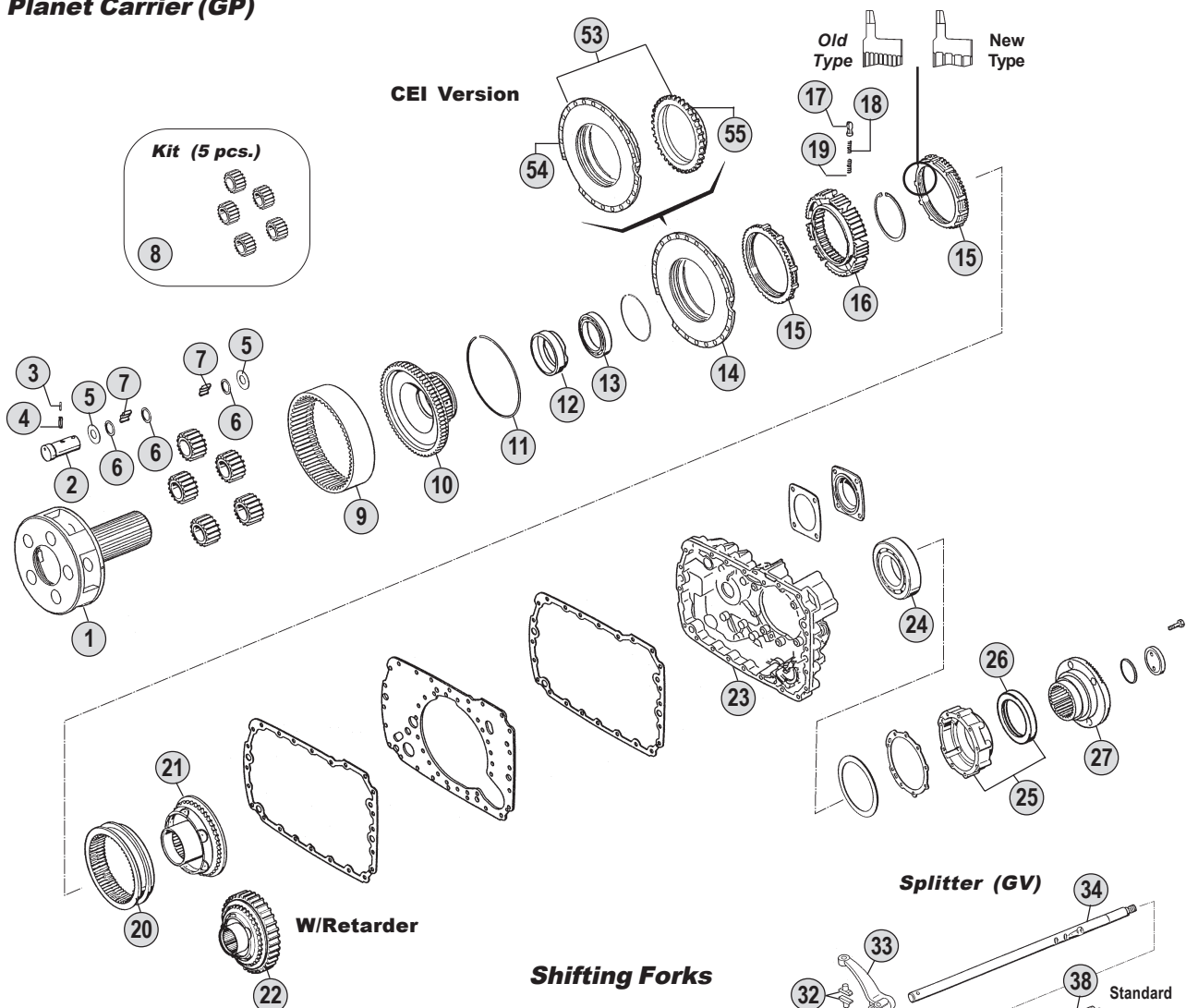
007 / B

All original equipment manufacturers numbers, symbols, pictures, models and description used in this catalogue are for reference only, and it is not implied that any part listed is the product of these manufactures.  
Tutti i nostri particolari non sono originali ma con essi intercambiabili. I riferimenti originali, le figure, i modelli sono esposti a semplice titolo indicativo. La nostra produzione riporta il nostro marchio.

Suitable To : **ZF**

**16S151 - 16S221**

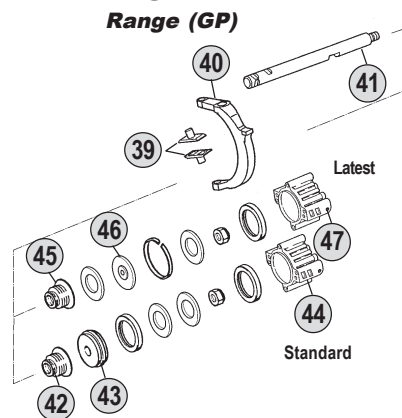
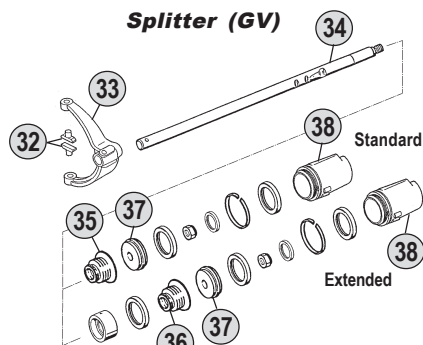
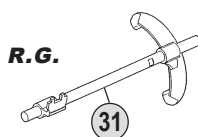
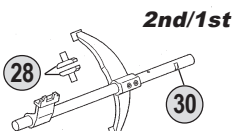
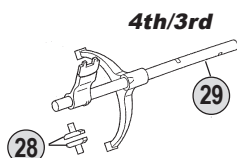
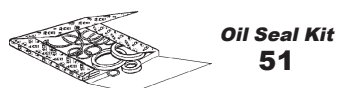
**Planet Carrier (GP)**



**Springs & Slides Kits**

|               |               |               |
|---------------|---------------|---------------|
| x 3           | x 6           | x 9           |
| x 3           | x 6           | x 9           |
| x 3           | x 6           | x 9           |
| <b>Kit 48</b> | <b>Kit 49</b> | <b>Kit 50</b> |

**Kits**



**Ratios**

|               |               |                 |                 |                 |               |
|---------------|---------------|-----------------|-----------------|-----------------|---------------|
| <b>16S151</b> | A: 13,80-0,84 | B: 13,85 - 0,84 | C: 13,86 - 0,84 | D: 16,47 - 1,00 | E: 16,53-1,00 |
| <b>16S221</b> | A: 13,80-0,84 | B: --           | C: 13,86 - 0,84 | D: 16,47 - 1,00 | E: -          |



All original equipment manufacturers' numbers, symbols, pictures, models and description used in this catalogue are for reference only, and it is not implied that any part listed is the product of these manufactures. Tutti i nostri particolari non sono originali ma con essi intercambiabili. I riferimenti originali, le figure, i modelli sono esposti a semplice titolo indicativo. La nostra produzione riporta il nostro marchio.

| Fig. | CEI no.        | O.E.M. Reference |               | Description             | Q.ty | Note      | Ratio |               |               |  |  |
|------|----------------|------------------|---------------|-------------------------|------|-----------|-------|---------------|---------------|--|--|
|      |                | ZF no.           | M.A.N. no.    |                         |      |           |       | 16S151 (1315) | 16S221 (1316) |  |  |
| 27   |                | 1297 333 110     | 81 39115 0289 | Output Flange           | 1    | D.180-4H. |       | ●             |               |  |  |
| 27   |                | 1316 338 002     | 81 39115 0381 | Output Flange           | 1    | D.180-4H. |       | ●             |               |  |  |
| 27   |                | 1312 333 018     |               | Output Flange           | 1    | D.200-4H. |       | ●             |               |  |  |
| 27   |                | 1316 338 003     |               | Output Flange           | 1    | D.200-4H. |       | ●             |               |  |  |
| 28   | <b>141.163</b> | 1297 306 120     | 81 32526 0031 | Slide                   | 2    | Old Type  |       | ●             | ●             |  |  |
| 28   | <i>141.168</i> | 1316 306 015     | 81 32526 0039 | Slide                   | 2    | New Type  |       | ●             | ●             |  |  |
| 29   |                | 1315 206 013     | 81 32518 0186 | Fork                    | 1    | Old Type  |       | ●             |               |  |  |
| 29   |                | 1315 206 055     |               | Fork                    | 1    | New Type  |       | ●             |               |  |  |
| 29   |                | 1315 206 024     |               | Fork                    | 1    | Old Type  |       | ●             |               |  |  |
| 29   |                | 1315 206 056     |               | Fork                    | 1    | New Type  |       | ●             |               |  |  |
| 29   |                | 1316 206 018     | 81 32518 0193 | Fork                    | 1    | Old Type  |       |               | ●             |  |  |
| 29   |                | 1316 206 037     |               | Fork                    | 1    | New Type  |       |               | ●             |  |  |
| 29   |                | 1316 206 017     |               | Fork                    | 1    | Old Type  |       |               | ●             |  |  |
| 29   |                | 1316 206 038     |               | Fork                    | 1    | New Type  |       |               | ●             |  |  |
| 30   |                | 1315 206 046     | 81 32518 0231 | Fork                    | 1    | Old Type  |       | ●             |               |  |  |
| 30   |                | 1315 206 052     |               | Fork                    | 1    | New Type  |       | ●             |               |  |  |
| 30   |                | 1315 206 047     |               | Fork                    | 1    | Old Type  |       | ●             |               |  |  |
| 30   |                | 1315 206 053     |               | Fork                    | 1    | New Type  |       | ●             |               |  |  |
| 30   |                | 1316 206 025     | 81 32518 0234 | Fork                    | 1    | Old Type  |       |               | ●             |  |  |
| 30   |                | 1316 206 033     |               | Fork                    | 1    | New Type  |       |               | ●             |  |  |
| 30   |                | 1316 206 026     |               | Fork                    | 1    | Old Type  |       |               | ●             |  |  |
| 30   |                | 1316 206 034     |               | Fork                    | 1    | New Type  |       |               | ●             |  |  |
| 30   |                | 1316 206 027     |               | Fork                    | 1    | Old Type  |       |               | ●             |  |  |
| 30   |                | 1316 206 035     |               | Fork                    | 1    | New Type  |       |               | ●             |  |  |
| 31   |                | 1315 206 003     |               | Fork                    | 1    |           |       | ●             |               |  |  |
| 31   |                | 1315 206 023     | 81 32518 0187 | Fork                    | 1    |           |       | ●             |               |  |  |
| 31   |                | 1316 206 013     | 81 32518 0191 | Fork                    | 1    |           |       |               | ●             |  |  |
| 31   |                | 1316 206 014     |               | Fork                    | 1    |           |       |               | ●             |  |  |
| 32   | <b>141.163</b> | 1297 306 120     | 81 32526 0031 | Slide                   | 2    | Old Type  |       | ●             | ●             |  |  |
| 32   | <i>141.168</i> | 1316 306 015     | 81 32526 0039 | Slide                   | 2    | New Type  |       | ●             | ●             |  |  |
| 33   |                | 1315 312 017     | 81 32516 0125 | Fork                    | 1    | Old Type  |       | ●             | ●             |  |  |
| 33   |                | 1315 312 074     |               | Fork                    | 1    | New Type  |       | ●             | ●             |  |  |
| 34   |                | 1315 312 049     | 81 32518 0230 | Rod                     | 1    | Standard  |       | ●             |               |  |  |
| 34   |                | 1315 312 022     | 81 32518 0188 | Rod                     | 1    | Extended  |       | ●             |               |  |  |
| 34   |                | 1316 312 016     | 82 32518 0010 | Rod                     | 1    | Standard  |       |               | ●             |  |  |
| 34   |                | 1316 312 008     | 81 32518 0194 | Rod                     | 1    | Extended  |       |               | ●             |  |  |
| 35   |                | 0750 112 131     | 81 96401 0163 | Cap Collar D.25x40x15   | 1    | Standard  |       | ●             | ●             |  |  |
| 36   | <i>139.331</i> | 0750 112 034     | 81 96401 0148 | Cap Collar D.25x38x14,2 | 1    | Extended  |       | ●             | ●             |  |  |
| 37   |                | 1315 312 020     | 81 32739 0027 | Piston                  | 1    |           |       | ●             | ●             |  |  |
| 38   |                | 1315 312 048     | 81 32638 0032 | Cylinder                | 1    |           |       | ●             |               |  |  |
| 38   |                | 1316 312 015     | 81 32638 0037 | Cylinder                | 1    |           |       |               | ●             |  |  |
| 39   | <b>141.085</b> | 1296 334 004     | 81 32526 0026 | Bronze Slide            | 2    |           |       | ●             | ●             |  |  |
| 40   |                | 1315 334 039     | 81 32515 0098 | Fork                    | 1    |           |       | ●             | ●             |  |  |
| 41   |                | 1315 334 058     | 81 32518 0250 | Rod                     | 1    |           |       | ●             |               |  |  |
| 41   |                | 1316 334 010     | 81 32518 0218 | Rod                     | 1    |           |       |               | ●             |  |  |

Notes

Date

03 / 2006

Table

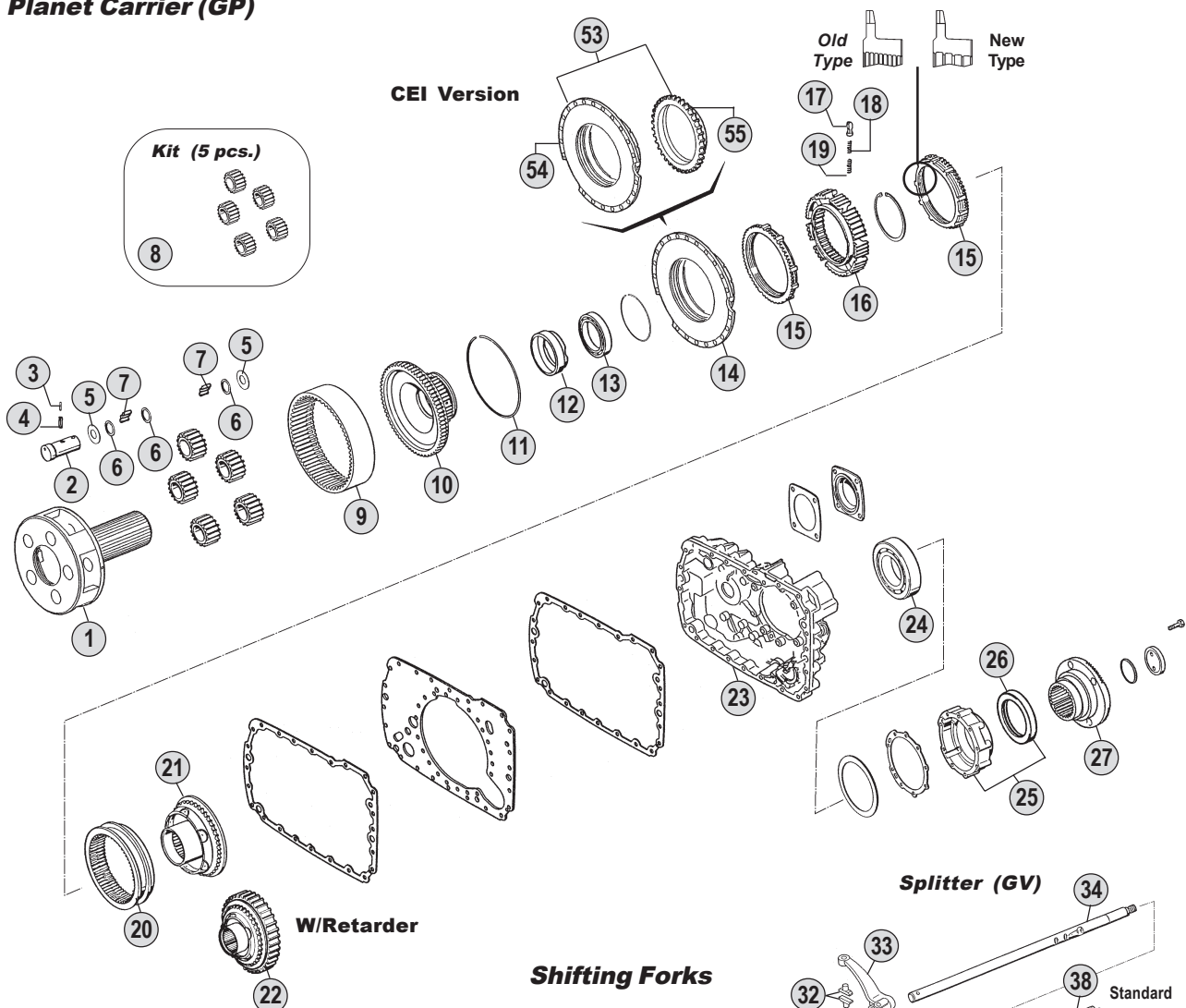
007 / B

All original equipment manufacturers numbers, symbols, pictures, models and description used in this catalogue are for reference only, and it is not implied that any part listed is the product of these manufactures.  
Tutti i nostri particolari non sono originali ma con essi intercambiabili. I riferimenti originali, le figure, i modelli sono esposti a semplice titolo indicativo. La nostra produzione riporta il nostro marchio.

Suitable To : **ZF**

**16S151 - 16S221**

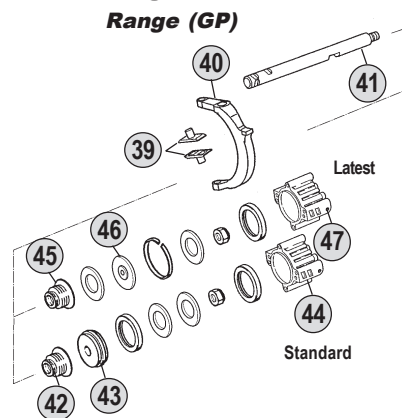
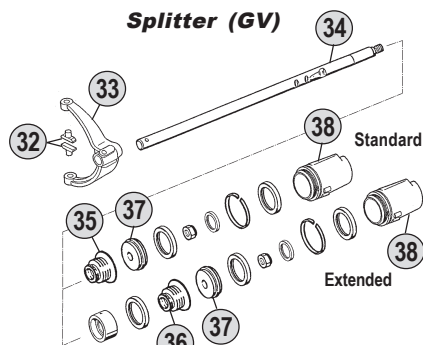
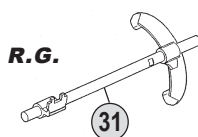
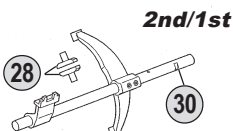
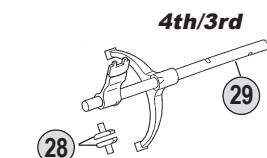
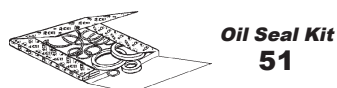
**Planet Carrier (GP)**



**Springs & Slides Kits**

|               |               |               |
|---------------|---------------|---------------|
| x 3           | x 6           | x 9           |
| x 3           | x 6           | x 9           |
| x 3           | x 6           | x 9           |
| <b>Kit 48</b> | <b>Kit 49</b> | <b>Kit 50</b> |

**Kits**



**Ratios**

|               |               |                 |                 |                 |               |
|---------------|---------------|-----------------|-----------------|-----------------|---------------|
| <b>16S151</b> | A: 13,80-0,84 | B: 13,85 - 0,84 | C: 13,86 - 0,84 | D: 16,47 - 1,00 | E: 16,53-1,00 |
| <b>16S221</b> | A: 13,80-0,84 | B: --           | C: 13,86 - 0,84 | D: 16,47 - 1,00 | E: -          |



All original equipment manufacturers' numbers, symbols, pictures, models and description used in this catalogue are for reference only, and it is not implied that any part listed is the product of these manufactures. Tutti i nostri particolari non sono originali ma con essi intercambiabili. I riferimenti originali, le figure, i modelli sono esposti a semplice titolo indicativo. La nostra produzione riporta il nostro marchio.

16S151 (1315)  
16S221 (1316)

| Fig. | CEI no. | O.E.M. Reference |               | Description             | Q.ty | Note              | Ratio |               |               |  |  |  |
|------|---------|------------------|---------------|-------------------------|------|-------------------|-------|---------------|---------------|--|--|--|
|      |         | ZF no.           | M.A.N. no.    |                         |      |                   |       | 16S151 (1315) | 16S221 (1316) |  |  |  |
| 42   | 139.331 | 0750 112 034     | 81 96401 0148 | Cap Collar D.25x38x14,2 | 1    | Standard Type     | ●     | ●             |               |  |  |  |
| 43   | 189.422 | 1296 334 039     | 81 32639 0019 | Piston                  | 1    | Standard Type     | ●     | ●             |               |  |  |  |
| 44   |         | 1315 334 021     | 81 32638 0024 | Cylinder                | 1    | Standard Type     | ●     | ●             |               |  |  |  |
| 45   |         | 0750 112 131     | 81 96401 0163 | Cap Collar D.25x40x15   | 1    | Latest Type       | ●     | ●             |               |  |  |  |
| 46   |         | 1315 334 034     | 81 32639 0056 | Piston                  | 1    | Latest Type       | ●     | ●             |               |  |  |  |
| 47   |         | 1315 334 056     | 81 32638 0040 | Cylinder                | 1    | Latest Type       | ●     | ●             |               |  |  |  |
| 48   | 198.339 | 1268 298 938     |               | Spring Slide Set        | 1    |                   | ●     | ●             |               |  |  |  |
| 49   | 198.564 | CEI 198564       |               | Spring Slide Set        | 1    |                   | ●     | ●             |               |  |  |  |
| 50   | 198.842 | 1295 298 933     |               | Spring Slide Set        | 1    |                   | ●     | ●             |               |  |  |  |
| 51   | 198.838 | 1315 298 002     | 81 96502 6086 | Oil Seal Kit            | 1    |                   | ●     | ●             |               |  |  |  |
| 52   | 198.797 | 1315 298 001     | 81 96601 6000 | Gasket Kit              | 1    |                   | ●     | ●             |               |  |  |  |
| 53   | 198.789 | CEI 198789       |               | Synchronizer Cone       | 1    | Can Repl. fig. 14 | ●     | ●             |               |  |  |  |
| 54   | 135.122 | 1296 333 046     | 81 30301 4861 | Saddle Plate            | 1    | Use with fig. 55  | ●     | ●             |               |  |  |  |
| 55   | 109.174 | 1296 333 050     | 81 32425 0141 | Synchronizer Cone       | 1    | Use with fig. 54  | ●     | ●             |               |  |  |  |

**ECO III**  
From 16S151  
To 16S221

All original equipment manufacturers numbers, symbols, pictures, models and description used in this catalogue are for reference only, and it is not implied that any part listed is the product of these manufactures.  
Tutti i nostri particolari non sono originali ma con essi intercambiabili. I riferimenti originali, le figure, i modelli sono esposti a semplice titolo indicativo. La nostra produzione riporta il nostro marchio.

Notes

Date

03 / 2006

Table

007 / B





suitable to :

**Z.F.****EcoSplit III****From 16S151 to 16S251****Planetary Gear with HELICAL TEETH****Application**

|                 | <b>16S151</b> | <b>16S181</b> | <b>16S221</b> | <b>16S251</b> |
|-----------------|---------------|---------------|---------------|---------------|
|                 | (1315)        | (1316)        | (1316)        | (1316)        |
| <b>MERCEDES</b> |               |               |               |               |
| <b>MAN</b>      |               |               |               |               |
| <b>IVECO</b>    |               |               |               |               |
| <b>RVI</b>      |               |               |               |               |
| <b>DAF</b>      |               |               |               |               |
| <b>VOLVO</b>    |               |               |               |               |

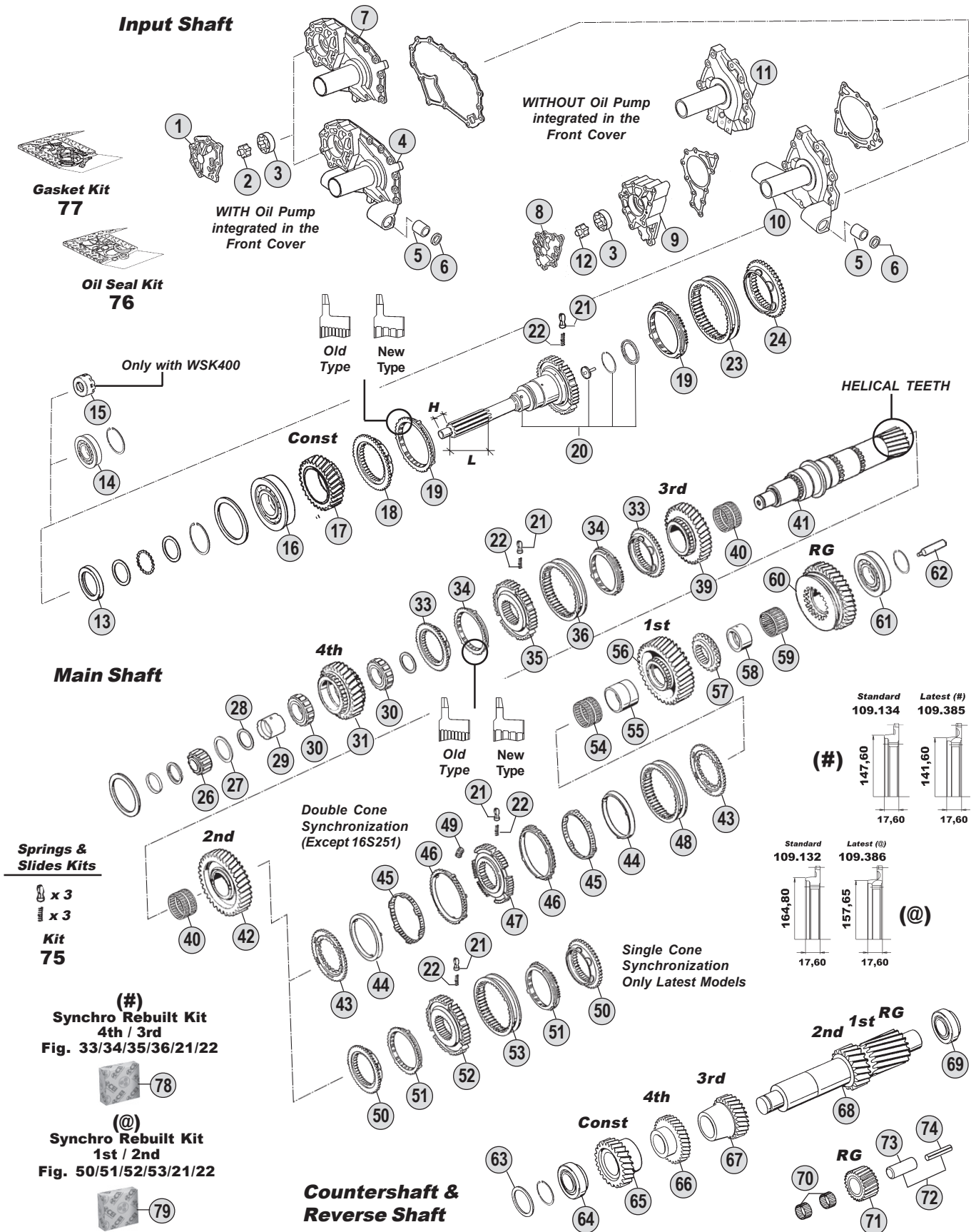
**Ratios**

|               | <b>R.13,74-0,84</b> | <b>R.13,80-0,84</b> | <b>R.16,41-1,00</b> |  |  |
|---------------|---------------------|---------------------|---------------------|--|--|
|               | <b>A</b>            | <b>B</b>            | <b>C</b>            |  |  |
| <b>16S151</b> |                     |                     |                     |  |  |
| <b>16S181</b> |                     |                     |                     |  |  |
| <b>16S221</b> |                     |                     |                     |  |  |
| <b>16S251</b> |                     |                     |                     |  |  |

**ECO III**  
 From 16S151  
 To 16S251

Suitable To : **ZF**

**16S151 - 16S181 - 16S221 - 16S251**



All original equipment manufacturers' numbers, symbols, pictures, models and description used in this catalogue are for reference only, and it is not implied that any part listed is the product of these manufactures. Tutti i nostri particolari non sono originali ma con essi intercambiabili. I riferimenti originali, le figure, i modelli sono esposti a semplice titolo indicativo. La nostra produzione riporta il nostro marchio.

**Ratios**

|               |                  |                  |                  |        |        |
|---------------|------------------|------------------|------------------|--------|--------|
| <b>16S151</b> | A : 13,74 - 0,84 | B : 13,80 - 0,84 | C : 16,41 - 1,00 | D : -- | E : -- |
| <b>16S181</b> | A : --           | B : 13,80 - 0,84 | C : 16,41 - 1,00 | D : -- | E : -- |
| <b>16S221</b> | A : 13,74 - 0,84 | B : 13,80 - 0,84 | C : 16,41 - 1,00 | D : -- | E : -- |
| <b>16S251</b> | A : --           | B : 13,80 - 0,84 | C : --           | D : -- | E : -- |



16S151 (1315)  
16S181 (1316)  
16S221 (1316)  
16S251 (1316)

| Fig. | CEI no. | O.E.M. Reference |               | Description            | Q.ty | Note                 | Ratio |               |               |               |               |
|------|---------|------------------|---------------|------------------------|------|----------------------|-------|---------------|---------------|---------------|---------------|
|      |         | ZF no.           | M.A.N. no.    |                        |      |                      |       | 16S151 (1315) | 16S181 (1316) | 16S221 (1316) | 16S251 (1316) |
| 1    |         | 1315 302 013     | 81 38521 0002 | Cover                  | 1    |                      |       | ●             | ●             | ●             | ●             |
| 2    |         | 1315 202 014     | 81 33208 0023 | Rotor                  | 1    |                      |       | ●             | ●             | ●             | ●             |
| 3    |         | 1315 303 027     | 81 33223 0010 | Oil Pump Housing       | 1    |                      |       | ●             | ●             | ●             | ●             |
| 4    |         | 1315 302 057     | 81 32240 0035 | Front Cover            | 1    |                      |       | ●             | ●             | ●             | ●             |
| 5    |         | 0730 260 398     | 81 93021 0330 | Bush                   | 4    |                      |       | ●             | ●             | ●             | ●             |
| 6    |         | 0501 312 738     | 81 96503 0293 | Oil Seal 30x37x4       | 4    |                      |       | ●             | ●             | ●             | ●             |
| 7    |         | 1315 302 045     | 81 32240 0012 | Front Cover            | 1    |                      |       | ●             | ●             | ●             | ●             |
| 7    |         | 1315 302 047     |               | Front Cover            | 1    |                      |       | ●             | ●             | ●             | ●             |
| 8    |         | 1315 302 120     | 81 38521 0004 | Cover                  | 1    |                      |       | ●             | ●             | ●             | ●             |
| 9    |         | 1315 302 121     | 81 38520 0003 | Housing                | 1    |                      |       | ●             | ●             | ●             | ●             |
| 10   |         | 1315 202 055     |               | Front Cover            | 1    |                      |       | ●             | ●             | ●             | ●             |
| 10   |         | 1315 202 058     |               | Front Cover            | 1    |                      |       | ●             | ●             | ●             | ●             |
| 10   |         | 1315 202 061     | 81 32240 6000 | Front Cover            | 1    |                      |       | ●             | ●             | ●             | ●             |
| 10   |         | 1315 202 065     |               | Front Cover            | 1    |                      |       | ●             | ●             | ●             | ●             |
| 10   |         | 1315 202 060     | 81 32240 0020 | Front Cover            | 1    | With WSK400          |       | ●             | ●             | ●             | ●             |
| 11   |         | 1315 302 075     |               | Front Cover            | 1    |                      |       | ●             | ●             | ●             | ●             |
| 11   |         | 1315 302 136     | 81 32240 0021 | Front Cover            | 1    |                      |       | ●             | ●             | ●             | ●             |
| 12   |         | 1314 202 039     | 81 33208 0025 | Rotor                  | 1    |                      |       | ●             | ●             | ●             | ●             |
| 13   | 139.754 | 0734 310 386     | 81 96503 0342 | Oil Seal 55x75x8       | 1    |                      |       | ●             | ●             | ●             | ●             |
| 13   |         | 0734 310 104     | 81 96502 0403 | Oil Seal 52x68x8       | 1    | (1)                  |       | ●             | ●             | ●             | ●             |
| 13   |         | 0734 319 514     | 81 96503 0319 | Oil Seal 52x72x8       | 1    | (2)                  |       | ●             | ●             | ●             | ●             |
| 14   |         | 0635 450 098     | 06 32739 0002 | Bearing 52x90x33       | 1    | (2)                  |       | ●             | ●             | ●             | ●             |
| 15   |         | 4130 309 063     | 81 32310 0001 | Disk                   | 1    | (1)                  |       | ●             | ●             | ●             | ●             |
| 16   | 130.518 | 0750 117 732     | 81 93420 0329 | Bearing D.85x150x30,50 | 1    |                      |       | ●             | ●             | ●             | ●             |
| 17   | 145.513 | 1315 302 173     | 81 32302 0027 | Constant Gear 34 T     | 1    |                      | A     | ●             | ●             | ●             | ●             |
| 17   | 145.556 | 1315 302 158     | 81 32302 0051 | Constant Gear 35 T     | 1    |                      | B     | ●             | ●             | ●             | ●             |
| 17   | 145.553 | 1315 302 157     | 81 32302 0046 | Constant Gear 30 T     | 1    |                      | C     | ●             | ●             | ●             | ●             |
| 17   | 145.561 | 1316 302 057     | 81 32302 0068 | Constant Gear 35 T     | 1    |                      | B     | ●             | ●             | ●             | ●             |
| 17   | 145.483 | 1316 302 066     | 81 32302 0047 | Constant Gear 30 T     | 1    |                      | C     | ●             | ●             | ●             | ●             |
| 17   | 145.487 | 1316 302 065     | 85 32301 0001 | Constant Gear 34 T     | 1    |                      | A     | ●             | ●             | ●             | ●             |
| 17   | 145.554 | 1316 302 067     | 81 32302 0031 | Constant Gear 35 T     | 1    |                      | B     | ●             | ●             | ●             | ●             |
| 17   | 145.483 | 1316 302 066     | 81 32302 0047 | Constant Gear 30 T     | 1    |                      | C     | ●             | ●             | ●             | ●             |
| 18   | 109.134 | 1312 304 027     | 81 32425 0092 | Synchronizer Cone      | 1    |                      |       | ●             | ●             | ●             | ●             |
| 19   | 119.119 | 1297 304 402     | 81 32420 0146 | Synchronizer Ring      | 2    | Old Type             |       | ●             | ●             | ●             | ●             |
| 19   | 119.167 | 1297 304 484     | 81 32420 0230 | Synchronizer Ring      | 2    | New Type             |       | ●             | ●             | ●             | ●             |
| 20   | 190.304 | 1315 202 037     | 81 32205 0267 | Input Shaft            | 1    | L=125 H=31,5         |       | ●             | ●             | ●             | ●             |
| 20   | 190.315 | 1315 202 040     |               | Input Shaft            | 1    | L=102 H=32           |       | ●             | ●             | ●             | ●             |
| 20   |         | 1315 202 048     | 81 32205 0260 | Input Shaft            | 1    | WSK400               |       | ●             | ●             | ●             | ●             |
| 20   | 190.317 | 1315 221 002     |               | Input Shaft            | 1    | NMV221 (Clutch PTO)  |       | ●             | ●             | ●             | ●             |
| 20   | 190.303 | 1316 202 025     | 85 32205 0001 | Input Shaft            | 1    | L=134 H=32           |       | ●             | ●             | ●             | ●             |
| 20   | 190.300 | 1316 202 026     |               | Input Shaft            | 1    |                      |       | ●             | ●             | ●             | ●             |
| 20   | 190.310 | 1316 202 033     |               | Input Shaft            | 1    | L=63 H=46,5 / WSK400 |       | ●             | ●             | ●             | ●             |
| 20   |         | 1316 202 038     |               | Input Shaft            | 1    |                      |       | ●             | ●             | ●             | ●             |
| 20   |         | 1316 221 017     |               | Input Shaft            | 1    | NMV221 (Clutch PTO)  |       | ●             | ●             | ●             | ●             |
| 21   | 160.189 | 1297 304 436     | 81 32510 0013 | Pressure Piece         | 3    |                      |       | ●             | ●             | ●             | ●             |

## Notes

- (1) Only for Input S. 1315 202 048-1316 202 033 (2) Only for Input S. 1315 221 002-1316 221 017  
 (3) Old Type. Replaced by 1 pc. fig. 73 + 1 pc. fig. 74  
 (\*) New Models only. **DO NO MIX** Single Cone Synchro. with Double Cone Synchro.  
 (#) Latest Synchro gen. **DO NO MIX** the two different version. To update the previous one use the **synchro rebuilt kit fig. 79**  
 (Ⓜ) Latest Synchro gen. **DO NO MIX** the two different version. To update the previous one use the **synchro rebuilt kit fig. 80**

## Date

03 / 2006

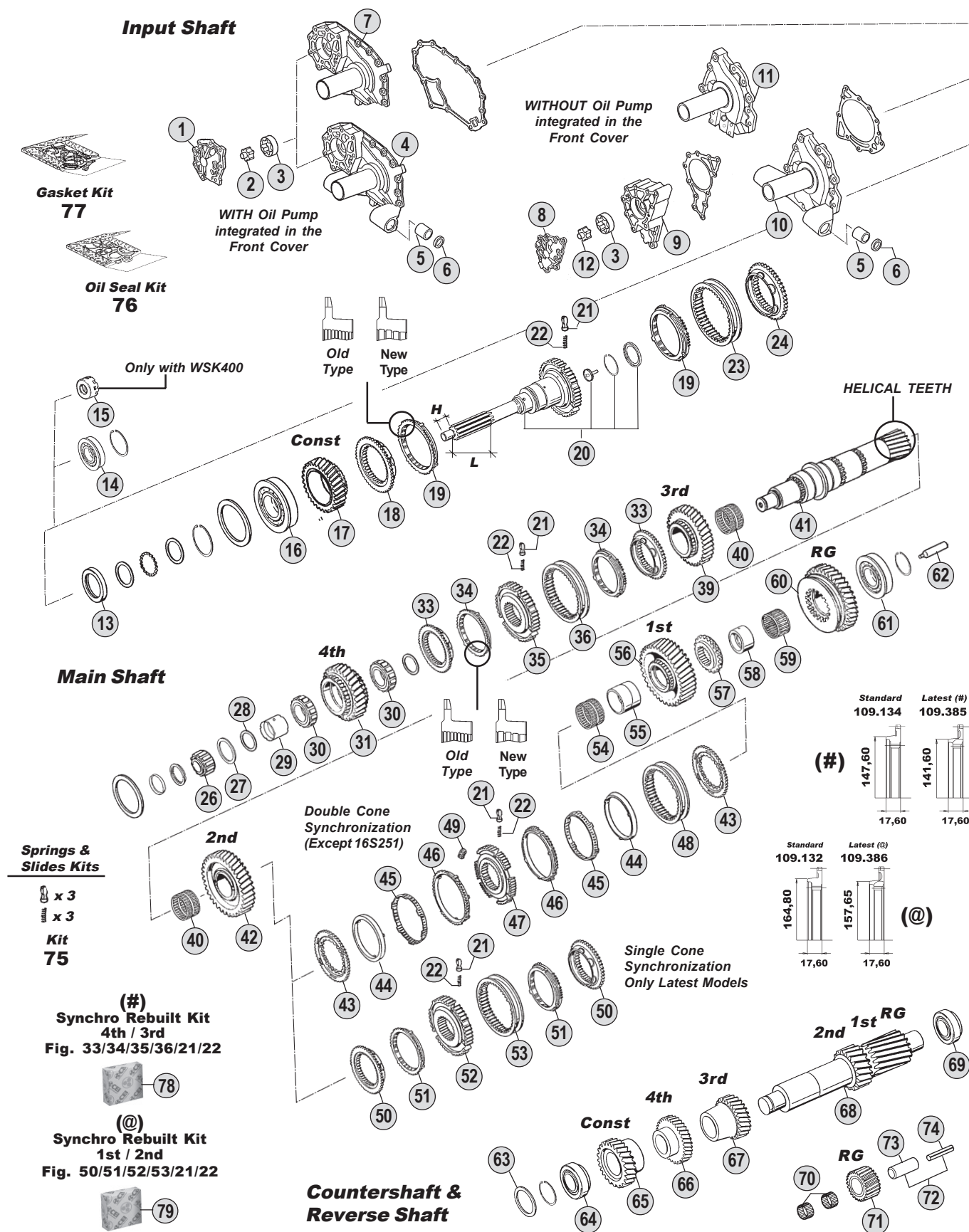
## Table

008 / A

**ECO III**  
From 16S151  
To 16S251

Suitable To : **ZF**

**16S151 - 16S181 - 16S221 - 16S251**



All original equipment manufacturers' numbers, symbols, pictures, models and description used in this catalogue are for reference only, and it is not implied that any part listed is the product of these manufactures. Tutti i nostri particolari non sono originali ma con essi intercambiabili. I riferimenti originali, le figure, i modelli sono esposti a semplice titolo indicativo. La nostra produzione riporta il nostro marchio.

**Ratios**

|               |                  |                  |                  |        |        |
|---------------|------------------|------------------|------------------|--------|--------|
| <b>16S151</b> | A : 13,74 - 0,84 | B : 13,80 - 0,84 | C : 16,41 - 1,00 | D : -- | E : -- |
| <b>16S181</b> | A : --           | B : 13,80 - 0,84 | C : 16,41 - 1,00 | D : -- | E : -- |
| <b>16S221</b> | A : 13,74 - 0,84 | B : 13,80 - 0,84 | C : 16,41 - 1,00 | D : -- | E : -- |
| <b>16S251</b> | A : --           | B : 13,80 - 0,84 | C : --           | D : -- | E : -- |



| Fig. | CEI no. | O.E.M. Reference |               | Description             | Q.ty | Note      | Ratio |               |               |               |               |
|------|---------|------------------|---------------|-------------------------|------|-----------|-------|---------------|---------------|---------------|---------------|
|      |         | ZF no.           | M.A.N. no.    |                         |      |           |       | 16S151 (1315) | 16S181 (1316) | 16S221 (1316) | 16S251 (1316) |
| 22   | 156.140 | 0732 040 409     | 81 97601 0895 | Spring D.6,50x23,50     | 3    |           |       | ●             | ●             | ●             | ●             |
| 23   | 154.135 | 1310 304 202     | 81 32402 0197 | Sliding Sleeve          | 1    |           |       | ●             | ●             | ●             | ●             |
| 24   | 109.133 | 1312 304 056     | 81 32425 0093 | Synchronizer Cone       | 1    |           |       | ●             | ●             | ●             | ●             |
| 26   | 137.150 | 0750 117 232     | 81 93501 0080 | Roller Cage D.42x40,30  | 1    |           |       | ●             | ●             | ●             | ●             |
| 27   |         | 1315 304 048     | 81 32313 0302 | Ring                    | 1    | S.8,00 mm |       | ●             | ●             | ●             | ●             |
| 27   |         | 1315 304 043     | 81 32313 0263 | Ring                    | 1    | S.7,50 mm |       | ●             | ●             | ●             | ●             |
| 28   | 169.776 | 0750 101 158     | 81 32313 0322 | Thrust Washer 81,5x5    | 2    |           |       | ●             | ●             | ●             | ●             |
| 29   | 117.321 | 0750 119 125     | 81 37260 0007 | Bush D.67x77x54,1       | 1    |           |       | ●             |               |               |               |
| 29   | 117.320 | 0750 119 124     | 81 37260 0006 | Bush D.67x77x66,10      | 1    |           |       |               | ●             | ●             | ●             |
| 30   | 137.164 | 0750 115 534     | 81 93404 0062 | Roller Cage 77x101x29   | 2    |           |       | ●             |               |               |               |
| 30   | 137.136 | 0750 115 531     | 81 93404 0061 | Roller Cage D.77x101x29 | 2    |           |       |               | ●             | ●             | ●             |
| 31   | 146.431 | 1315 304 017     | 81 32301 0860 | Gear 4th Speed 30 T     | 1    |           | A     | ●             |               |               |               |
| 31   | 146.320 | 1315 304 089     | 81 32302 0059 | Gear 4th Speed 32 T     | 1    |           | BC    | ●             |               |               |               |
| 31   | 146.410 | 1316 304 007     | 81 32301 0869 | Gear 4th Speed 30 T     | 1    |           | A     |               |               | ●             |               |
| 31   | 146.401 | 1316 304 103     | 81 32302 0035 | Gear 4th Speed 32 T     | 1    |           | BC    |               | ●             | ●             | ●             |
| 33   | 109.134 | 1312 304 027     | 81 32425 0092 | Synchronizer Cone       | 2    |           |       | ●             | ●             | ●             | ●             |
| 33   | 109.385 | 1316 304 159     |               | Synchronizer Cone       | 2    |           | (#)   | ●             | ●             | ●             | ●             |
| 34   | 119.119 | 1297 304 402     | 81 32420 0146 | Synchronizer Ring       | 2    | Old Type  |       | ●             | ●             | ●             | ●             |
| 34   | 119.167 | 1297 304 484     | 81 32420 0230 | Synchronizer Ring       | 2    | New Type  |       | ●             | ●             | ●             | ●             |
| 34   | 119.217 | 1316 304 149     |               | Synchronizer Ring       | 2    |           | (#)   | ●             | ●             | ●             | ●             |
| 35   | 157.180 | 1312 304 052     | 81 32420 0151 | Synchronizer Hub        | 1    |           |       | ●             | ●             | ●             | ●             |
| 35   | 157.227 | 1316 304 162     |               | Synchronizer Hub        | 1    |           | (#)   | ●             | ●             | ●             | ●             |
| 36   | 154.135 | 1310 304 202     | 81 32402 0197 | Sliding Sleeve          | 1    |           |       | ●             | ●             | ●             | ●             |
| 36   | 154.357 | 1315 304 135     |               | Sliding Sleeve          | 1    |           | (#)   | ●             | ●             | ●             | ●             |
| 39   | 145.514 | 1315 304 028     | 81 32301 0862 | Gear 3rd Speed 32 T     | 1    |           | A     | ●             |               |               |               |
| 39   | 145.456 | 1315 304 027     | 81 32302 0058 | Gear 3rd Speed 34 T     | 1    |           | BC    | ●             |               |               |               |
| 39   | 145.484 | 1316 304 094     | 81 32302 0072 | Gear 3rd Speed 34 T     | 1    |           | BC    |               | ●             |               |               |
| 39   | 145.488 | 1316 304 009     | 81 32301 0870 | Gear 3rd Speed 32 T     | 1    |           | A     |               |               | ●             |               |
| 39   | 145.473 | 1316 304 008     | 81 32302 0080 | Gear 3rd Speed 34 T     | 1    |           | BC    |               |               | ●             |               |
| 39   | 145.555 | 1316 304 066     | 81 32301 0995 | Gear 3rd Speed 34 T     | 1    |           | B     |               |               |               | ●             |
| 40   | 137.137 | 0735 321 087     | 81 93402 0108 | Needle Cage D.92x100x53 | 2    |           |       | ●             |               |               |               |
| 40   | 137.138 | 0750 115 303     | 81 93402 0115 | Needle Cage D.92x100x63 | 2    |           |       |               | ●             | ●             | ●             |
| 41   | 103.138 | 1315 304 131     | 81 32202 0101 | Main Shaft              | 1    |           |       | ●             |               |               |               |
| 41   | 103.130 | 1316 304 132     | 81 32202 0100 | Main Shaft              | 1    |           |       |               | ●             | ●             |               |
| 41   | 103.143 | 1316 304 131     | 81 32202 0099 | Main Shaft              | 1    |           |       |               |               |               | ●             |
| 42   | 145.455 | 1315 304 026     | 81 32301 0861 | Gear 2nd Speed 37 T     | 1    |           | A     | ●             |               |               |               |
| 42   | 145.454 | 1315 304 025     | 81 32302 0055 | Gear 2nd Speed 38 T     | 1    |           | BC    | ●             |               |               |               |
| 42   | 145.515 | 1316 304 003     | 81 32301 0868 | Gear 2nd Speed 37 T     | 1    |           | A     |               |               | ●             |               |
| 42   | 145.474 | 1316 304 002     | 81 32302 0071 | Gear 2nd Speed 38 T     | 1    |           | BC    |               | ●             | ●             | ●             |
| 43   | 109.176 | 1312 304 106     | 81 32425 0103 | Synchronizer Cone       | 2    |           |       | ●             | ●             | ●             | ●             |
| 44   | 119.152 | 1268 304 424     | 81 32420 0163 | Intermediate Ring       | 2    |           |       | ●             | ●             | ●             | ●             |
| 45   | 119.153 | 1268 304 494     | 81 30120 0051 | Intermediate Cone       | 2    |           |       | ●             | ●             | ●             | ●             |
| 46   | 119.144 | 1268 304 525     | 81 32420 0161 | Synchronizer Ring       | 2    |           |       | ●             | ●             | ●             | ●             |
| 47   | 157.181 | 1312 304 158     | 81 32420 0181 | Synchronizer Hub        | 1    |           |       | ●             | ●             | ●             | ●             |
| 48   | 154.190 | 1310 304 175     | 81 32402 0191 | Sliding Sleeve          | 1    |           |       | ●             | ●             | ●             | ●             |

**ECO III**  
From 16S151  
To 16S251

All original equipment manufacturers' numbers, symbols, pictures, models and description used in this catalogue are for reference only, and it is not implied that any part listed is the product of these manufacturers.  
Tutti i nostri particolari non sono originali ma con essi intercambiabili. I riferimenti originali, le figure, i modelli sono esposti a semplice titolo indicativo. La nostra produzione riporta il nostro marchio.

## Notes

- (1) Only for Input S. 1315 202 048-1316 202 033 (2) Only for Input S. 1315 221 002-1316 221 017  
 (3) Old Type. Replaced by 1 pc. fig. 73 + 1 pc. fig. 74  
 (\*) New Models only. **DO NO MIX** Single Cone Synchro. with Double Cone Synchro.  
 (#) Latest Synchro gen. **DO NO MIX** the two different version. To update the previous one use the **synchro rebuilt kit fig. 79**  
 (Ⓜ) Latest Synchro gen. **DO NO MIX** the two different version. To update the previous one use the **synchro rebuilt kit fig. 80**

## Date

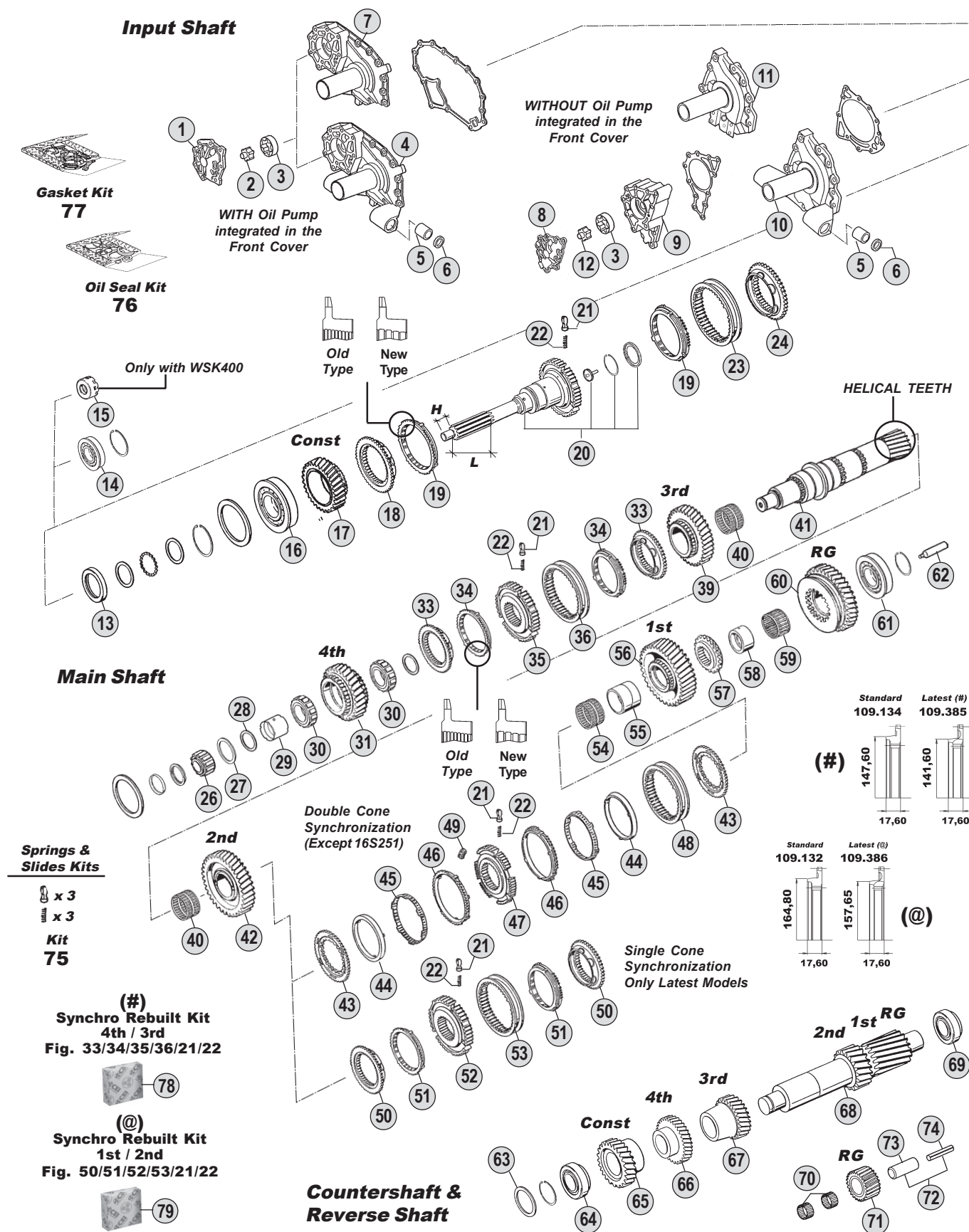
03 / 2006

## Table

008 / A

Suitable To : **ZF**

**16S151 - 16S181 - 16S221 - 16S251**



All original equipment manufacturers' numbers, symbols, pictures, models and description used in this catalogue are for reference only, and it is not implied that any part listed is the product of these manufactures. Tutti i nostri particolari non sono originali ma con essi intercambiabili. I riferimenti originali, le figure, i modelli sono esposti a semplice titolo indicativo. La nostra produzione riporta il nostro marchio.

**Ratios**

|               |                  |                  |                  |        |        |
|---------------|------------------|------------------|------------------|--------|--------|
| <b>16S151</b> | A : 13,74 - 0,84 | B : 13,80 - 0,84 | C : 16,41 - 1,00 | D : -- | E : -- |
| <b>16S181</b> | A : --           | B : 13,80 - 0,84 | C : 16,41 - 1,00 | D : -- | E : -- |
| <b>16S221</b> | A : 13,74 - 0,84 | B : 13,80 - 0,84 | C : 16,41 - 1,00 | D : -- | E : -- |
| <b>16S251</b> | A : --           | B : 13,80 - 0,84 | C : --           | D : -- | E : -- |



16S151 (1315)  
16S181 (1316)  
16S221 (1316)  
16S251 (1316)

| Fig. | CEI no. | O.E.M. Reference |               | Description               | Q.ty | Note         | Ratio |   |   |   |   |  |  |
|------|---------|------------------|---------------|---------------------------|------|--------------|-------|---|---|---|---|--|--|
|      |         | ZF no.           | M.A.N. no.    |                           |      |              |       |   |   |   |   |  |  |
| 49   | 156.176 | 1312 304 159     | 81 38108 0005 | Pad                       | 3    |              |       | ● | ● | ● | ● |  |  |
| 50   | 109.132 | 1313 304 009     | 81 32425 0094 | Synchronizer Cone         | 2    | (*)          |       | ● | ● | ● | ● |  |  |
| 50   | 109.386 | 1316 304 156     |               | Synchronizer Cone         | 2    |              | (@)   | ● | ● | ● | ● |  |  |
| 51   | 119.122 | 1297 304 401     | 81 32420 0148 | Synchronizer Ring         | 2    | (*) Old Type |       | ● | ● | ● | ● |  |  |
| 51   | 119.166 | 1297 304 485     | 81 32420 0241 | Synchronizer Ring         | 2    | (*) New Type |       | ● | ● | ● | ● |  |  |
| 51   | 119.218 | 1316 304 150     |               | Synchronizer Ring         | 2    |              | (@)   | ● | ● | ● | ● |  |  |
| 52   | 157.189 | 1313 304 008     | 81 32420 0149 | Synchronizer Hub          | 1    | (*)          |       | ● | ● | ● | ● |  |  |
| 52   | 157.228 | 1316 304 163     |               | Synchronizer Hub          | 1    |              | (@)   | ● | ● | ● | ● |  |  |
| 53   | 154.202 | 1316 304 078     | 81 32402 0189 | Sliding Sleeve            | 1    | (*)          |       | ● | ● | ● | ● |  |  |
| 53   | 154.358 | 1315 304 136     |               | Sliding Sleeve            | 1    |              | (@)   | ● | ● | ● | ● |  |  |
| 54   | 137.160 | 0750 115 325     | 81 93402 0109 | Needle Cage D.96x104x55   | 1    |              |       | ● |   |   |   |  |  |
| 54   | 137.151 | 0750 115 327     | 81 93402 0116 | Needle Cage D.96x104x72   | 1    |              |       |   | ● | ● | ● |  |  |
| 55   | 117.294 | 1313 304 038     | 81 93021 0106 | Bush                      | 1    |              |       | ● |   |   |   |  |  |
| 55   | 117.310 | 1312 304 084     | 81 93021 0143 | Bush D.85x96x72           | 1    |              |       |   | ● | ● | ● |  |  |
| 56   | 145.453 | 1315 304 014     | 81 32301 0859 | Gear 1st Speed 44 T       | 1    |              | A     | ● |   |   |   |  |  |
| 56   | 145.452 | 1315 304 004     | 81 32302 0056 | Gear 1st Speed 47 T       | 1    |              | BC    | ● |   |   |   |  |  |
| 56   | 145.522 | 1316 304 013     | 81 32301 0871 | Gear 1st Speed 44 T       | 1    |              | A     |   |   | ● |   |  |  |
| 56   | 145.475 | 1316 304 010     | 81 32302 0034 | Gear 1st Speed 47 T       | 1    |              | BC    |   | ● | ● | ● |  |  |
| 57   | 109.144 | 1315 304 018     | 81 32425 0114 | Engaging Ring             | 1    |              |       | ● |   |   |   |  |  |
| 57   | 109.163 | 1312 304 124     | 81 32425 0117 | Engaging Ring             | 1    |              |       |   | ● | ● | ● |  |  |
| 58   | 117.293 | 1315 304 132     | 81 93021 0383 | Bush                      | 1    |              |       | ● |   |   |   |  |  |
| 58   | 117.311 | 1316 304 133     | 81 93021 0388 | Bush D.80x90x50           | 1    |              |       |   | ● | ● | ● |  |  |
| 59   | 137.162 | 0750 115 324     | 81 93402 0110 | Roller Cage D.90x98x41    | 1    |              |       | ● |   |   |   |  |  |
| 59   | 137.140 | 0750 115 326     | 81 93402 0117 | Roller Cage D.90x98x50    | 1    |              |       |   | ● | ● | ● |  |  |
| 60   | 147.124 | 1315 304 013     | 81 32301 0858 | Reverse Gear 42 T         | 1    |              | A     | ● |   |   |   |  |  |
| 60   | 147.123 | 1315 304 006     | 81 32302 0057 | Reverse Gear 44 T         | 1    |              | BC    | ● |   |   |   |  |  |
| 60   | 147.144 | 1316 304 015     | 81 32301 0872 | Reverse Gear 42 T         | 1    |              | A     |   |   | ● |   |  |  |
| 60   | 147.128 | 1316 304 012     | 81 32301 0994 | Reverse Gear 44 T         | 1    |              | BC    |   | ● | ● | ● |  |  |
| 61   | 130.309 | 0750 117 677     | 81 93420 0312 | Bearing D.80x130x36       | 1    |              |       | ● |   |   |   |  |  |
| 61   | 130.304 | 0750 117 678     | 06 32499 0191 | Bearing D.80x140x36,50    | 1    |              |       |   | ● | ● | ● |  |  |
| 62   | 188.209 | 1312 304 150     | 81 32562 0146 | Oil Tube                  | 1    |              |       | ● | ● | ● |   |  |  |
| 62   |         | 1316 304 093     |               | Oil Tube                  | 1    |              |       |   |   |   | ● |  |  |
| 63   |         | 0730 106 917     | 81 32313 0197 | Washer                    | 1    | S.3,00 mm    |       | ● | ● | ● | ● |  |  |
| 63   |         | 0730 101 471     | 81 32313 0177 | Washer                    | 1    | S.2,00 mm    |       | ● | ● | ● | ● |  |  |
| 64   | 130.308 | 0750 117 009     | 81 93420 0187 | Bearing D.49,2x103,1x43,6 | 1    |              |       | ● | ● | ● |   |  |  |
| 64   | 130.519 | 0735 371 604     |               | Bearing D.49,2x103,1x43,6 | 1    |              |       |   |   |   | ● |  |  |
| 65   | 146.427 | 1315 303 052     | 81 32302 0002 | Constant Gear 37 T        | 1    |              | A     | ● |   |   |   |  |  |
| 65   | 146.473 | 1315 303 051     | 81 32302 0053 | Constant Gear 32 T        | 1    |              | B     | ● |   |   |   |  |  |
| 65   | 146.367 | 1315 303 008     |               | Constant Gear 39 T        | 1    |              | C     | ● |   |   |   |  |  |
| 65   | 146.485 | 1316 303 056     | 81 32302 0070 | Constant Gear 32 T        | 1    |              | B     |   | ● |   |   |  |  |
| 65   | 146.398 | 1316 303 055     | 81 32302 0076 | Constant Gear 39 T        | 1    |              | C     |   | ● |   |   |  |  |
| 65   | 146.407 | 1316 303 031     | 81 32301 0935 | Constant Gear 37 T        | 1    |              | A     |   |   | ● |   |  |  |
| 65   | 146.469 | 1316 303 064     | 81 32302 0032 | Constant Gear 32 T        | 1    |              | B     |   |   | ● | ● |  |  |
| 65   | 146.486 | 1316 303 030     | 81 32302 0079 | Constant Gear 39 T        | 1    |              | C     |   |   | ● |   |  |  |
| 66   | 146.429 | 1315 303 046     | 81 32301 0856 | Gear 4th Speed 39 T       | 1    |              | A     | ● |   |   |   |  |  |

## Notes

- (1) Only for Input S. 1315 202 048-1316 202 033 (2) Only for Input S. 1315 221 002-1316 221 017  
 (3) Old Type. Replaced by 1 pc. fig. 73 + 1 pc. fig. 74  
 (\*) New Models only. **DO NO MIX** Single Cone Synchro. with Double Cone Synchro.  
 (#) Latest Synchro gen. **DO NO MIX** the two different version. To update the previous one use the **synchro rebuilt kit fig. 79**  
 (@) Latest Synchro gen. **DO NO MIX** the two different version. To update the previous one use the **synchro rebuilt kit fig. 80**

## Date

03 / 2006

## Table

008 / A

All original equipment manufacturers' numbers, symbols, pictures, models and description used in this catalogue are for reference only, and it is not implied that any part listed is the product of these manufactures.  
 Tutti i nostri particolari non sono originali ma con essi intercambiabili. I riferimenti originali, le figure, i modelli sono esposti a semplice titolo indicativo. La nostra produzione riporta il nostro marchio.



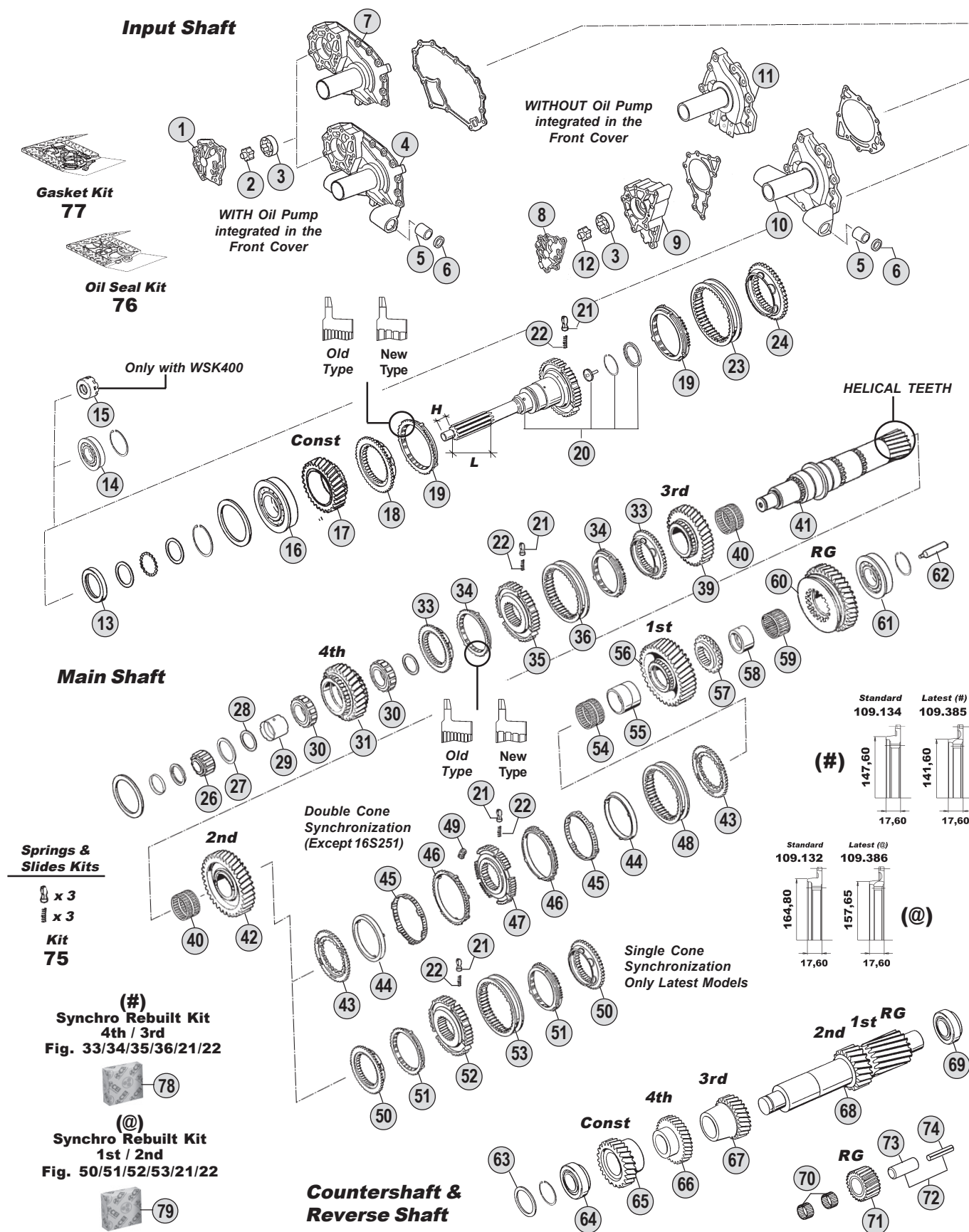
HIGH FIDELITY SPARE PARTS

**ECO III**  
From 16S151  
To 16S251



Suitable To : **ZF**

**16S151 - 16S181 - 16S221 - 16S251**



All original equipment manufacturers' numbers, symbols, pictures, models and description used in this catalogue are for reference only, and it is not implied that any part listed is the product of these manufactures. Tutti i nostri particolari non sono originali ma con essi intercambiabili. I riferimenti originali, le figure, i modelli sono esposti a semplice titolo indicativo. La nostra produzione riporta il nostro marchio.

**Ratios**

|               |                  |                  |                  |        |        |
|---------------|------------------|------------------|------------------|--------|--------|
| <b>16S151</b> | A : 13,74 - 0,84 | B : 13,80 - 0,84 | C : 16,41 - 1,00 | D : -- | E : -- |
| <b>16S181</b> | A : --           | B : 13,80 - 0,84 | C : 16,41 - 1,00 | D : -- | E : -- |
| <b>16S221</b> | A : 13,74 - 0,84 | B : 13,80 - 0,84 | C : 16,41 - 1,00 | D : -- | E : -- |
| <b>16S251</b> | A : --           | B : 13,80 - 0,84 | C : --           | D : -- | E : -- |



16S151 (1315)  
16S181 (1316)  
16S221 (1316)  
16S251 (1316)

| Fig. | O.E.M. Reference |              | Description   | Q.ty                      | Note | Ratio      |            |               |               |               |               |
|------|------------------|--------------|---------------|---------------------------|------|------------|------------|---------------|---------------|---------------|---------------|
|      | CEI no.          | ZF no.       |               |                           |      |            | M.A.N. no. | 16S151 (1315) | 16S181 (1316) | 16S221 (1316) | 16S251 (1316) |
| 66   | 146.474          | 1315 303 050 | 81 32302 0054 | Gear 4th Speed 35 T       | 1    | BC         | ●          |               |               |               |               |
| 66   | 146.399          | 1316 303 063 | 81 32302 0077 | Gear 4th Speed 35 T       | 1    | BC         |            | ●             |               |               |               |
| 66   | 146.408          | 1316 303 004 | 81 32301 0866 | Gear 4th Speed 39 T       | 1    | A          |            |               | ●             |               |               |
| 66   | 146.426          | 1316 303 065 | 81 32302 0033 | Gear 4th Speed 35 T       | 1    | BC         |            |               | ●             | ●             |               |
| 67   | 146.368          | 1315 303 010 | 81 32301 0855 | Gear 3rd Speed 28 T       | 1    | A          | ●          |               |               |               |               |
| 67   | 146.365          | 1315 303 004 | 81 32302 0052 | Gear 3rd Speed 26 T       | 1    | BC         | ●          |               |               |               |               |
| 67   | 146.400          | 1316 303 058 | 81 32302 0069 | Gear 3rd Speed 26 T       | 1    | BC         |            | ●             |               |               |               |
| 67   | 146.409          | 1316 303 006 | 81 32301 0867 | Gear 3rd Speed 28 T       | 1    | A          |            |               | ●             |               |               |
| 67   | 146.391          | 1316 303 005 | 81 32302 0078 | Gear 3rd Speed 26 T       | 1    | BC         |            |               | ●             |               |               |
| 67   | 146.470          | 1316 303 040 | 81 32301 0997 | Gear 3rd Speed 26 T       | 1    | B          |            |               |               | ●             |               |
| 68   | 105.109          | 1315 303 041 | 81 32206 0106 | Countershaft 19-23 T      | 1    | A          | ●          |               |               |               |               |
| 68   | 105.124          | 1315 303 042 | 81 32206 0129 | Countershaft 17-20 T      | 1    | BC         | ●          |               |               |               |               |
| 68   | 105.103          | 1316 303 034 | 81 32206 0107 | Countershaft 19-23 T      | 1    | A          |            |               | ●             |               |               |
| 68   | 105.100          | 1316 303 033 | 81 32206 0130 | Countershaft 17-20 T      | 1    | BC         |            | ●             | ●             |               |               |
| 68   | 105.123          | 1316 303 038 | 81 32206 0114 | Countershaft 17-20 T      | 1    | B          |            |               |               | ●             |               |
| 69   | 130.307          | 0750 117 011 | 81 93420 0134 | Bearing D.50,8x104,7x39,6 | 1    |            | ●          |               |               |               |               |
| 69   | 130.308          | 0750 117 009 | 81 93420 0187 | Bearing D.49,2x103,1x43,6 | 1    |            |            | ●             | ●             |               |               |
| 69   | 130.519          | 0735 371 604 |               | Bearing D.49,2x103,1x43,6 | 1    |            |            |               |               | ●             |               |
| 70   | 137.135          | 0750 115 366 | 81 93402 0127 | Needle Cage D.45x57x21    | 2    |            | ●          |               |               |               |               |
| 70   | 137.149          | 0750 115 369 | 81 93402 0128 | Needle Cage D.45x57x25    | 2    |            |            | ●             | ●             | ●             |               |
| 71   | 147.142          | 1315 305 005 | 81 32315 0054 | Reverse Gear 20 T         | 1    | A          | ●          |               |               |               |               |
| 71   | 147.126          | 1315 305 002 | 81 32315 0060 | Reverse Gear 22 T         | 1    | BC         | ●          |               |               |               |               |
| 71   | 147.143          | 1316 305 002 | 81 32315 0055 | Reverse Gear 20 T         | 1    | A          |            |               | ●             |               |               |
| 71   | 147.127          | 1316 305 001 | 81 32315 0058 | Reverse Gear 22 T         | 1    | BC         |            | ●             | ●             | ●             |               |
| 72   |                  | 1315 201 054 |               | Reverse Shaft             | 1    | Old (3) A  | ●          |               |               |               |               |
| 72   |                  | 1315 201 053 |               | Reverse Shaft             | 1    | Old (3) BC | ●          |               |               |               |               |
| 72   |                  | 1316 201 030 |               | Reverse Shaft             | 1    | Old (3) A  |            |               | ●             |               |               |
| 72   | 190.301          | 1316 201 029 |               | Reverse Shaft             | 1    | Old (3) BC |            | ●             | ●             |               |               |
| 72   |                  | 1316 201 075 | 81 32523 0203 | Reverse Shaft             | 1    | Old (3) B  |            |               |               | ●             |               |
| 73   | 190.302          | 1315 305 009 | 81 32523 0178 | Reverse Shaft             | 1    | New        | ●          | ●             | ●             | ●             |               |
| 74   |                  | 0631 329 293 | 06 22120 1229 | Pin                       | 1    | New A      | ●          |               |               |               |               |
| 74   |                  | 0631 329 294 |               | Pin                       | 1    | New BC     | ●          |               |               |               |               |
| 74   |                  | 0631 329 295 | 06 22129 0009 | Pin                       | 1    | New A      |            |               | ●             |               |               |
| 74   |                  | 0631 329 296 | 06 22129 0011 | Pin                       | 1    | New BC     |            | ●             | ●             |               |               |
| 74   |                  | 0631 329 305 |               | Pin                       | 1    | New B      |            |               |               | ●             |               |
| 75   | 198.843          | CEI 198843   |               | Spring Slide Set          | 1    |            | ●          | ●             | ●             | ●             |               |
| 76   | 198.838          | 1315 298 002 | 81 96502 6086 | Oil Seal Kit              | 1    |            | ●          | ●             | ●             | ●             |               |
| 77   | 198.797          | 1315 298 001 | 81 96601 6000 | Gasket Kit                | 1    |            | ●          | ●             | ●             | ●             |               |
| 78   | 298.021          | 1315 298 061 |               | Synchro kit 4th/3rd Speed | 1    | (#)        | ●          | ●             | ●             | ●             |               |
| 79   | 298.020          | 1315 298 060 |               | Synchro kit 1st/2nd Speed | 1    | (@)        | ●          | ●             | ●             | ●             |               |

ECO III  
From 16S151  
To 16S251

All original equipment manufacturers' numbers, symbols, pictures, models and description used in this catalogue are for reference only, and it is not implied that any part listed is the product of these manufacturers.  
Tutti i nostri particolari non sono originali ma con essi intercambiabili. I riferimenti originali, le figure, i modelli sono esposti a semplice titolo indicativo. La nostra produzione riporta il nostro marchio.

## Notes

- (1) Only for Input S. 1315 202 048-1316 202 033 (2) Only for Input S. 1315 221 002-1316 221 017  
(3) Old Type. Replaced by 1 pc. fig. 73 + 1 pc. fig. 74  
(\*) New Models only. **DO NO MIX** Single Cone Synchro. with Double Cone Synchro.  
(#) Latest Synchro gen. **DO NO MIX** the two different version. To update the previous one use the **synchro rebuilt kit fig. 79**  
(@) Latest Synchro gen. **DO NO MIX** the two different version. To update the previous one use the **synchro rebuilt kit fig. 80**

## Date

03 / 2006

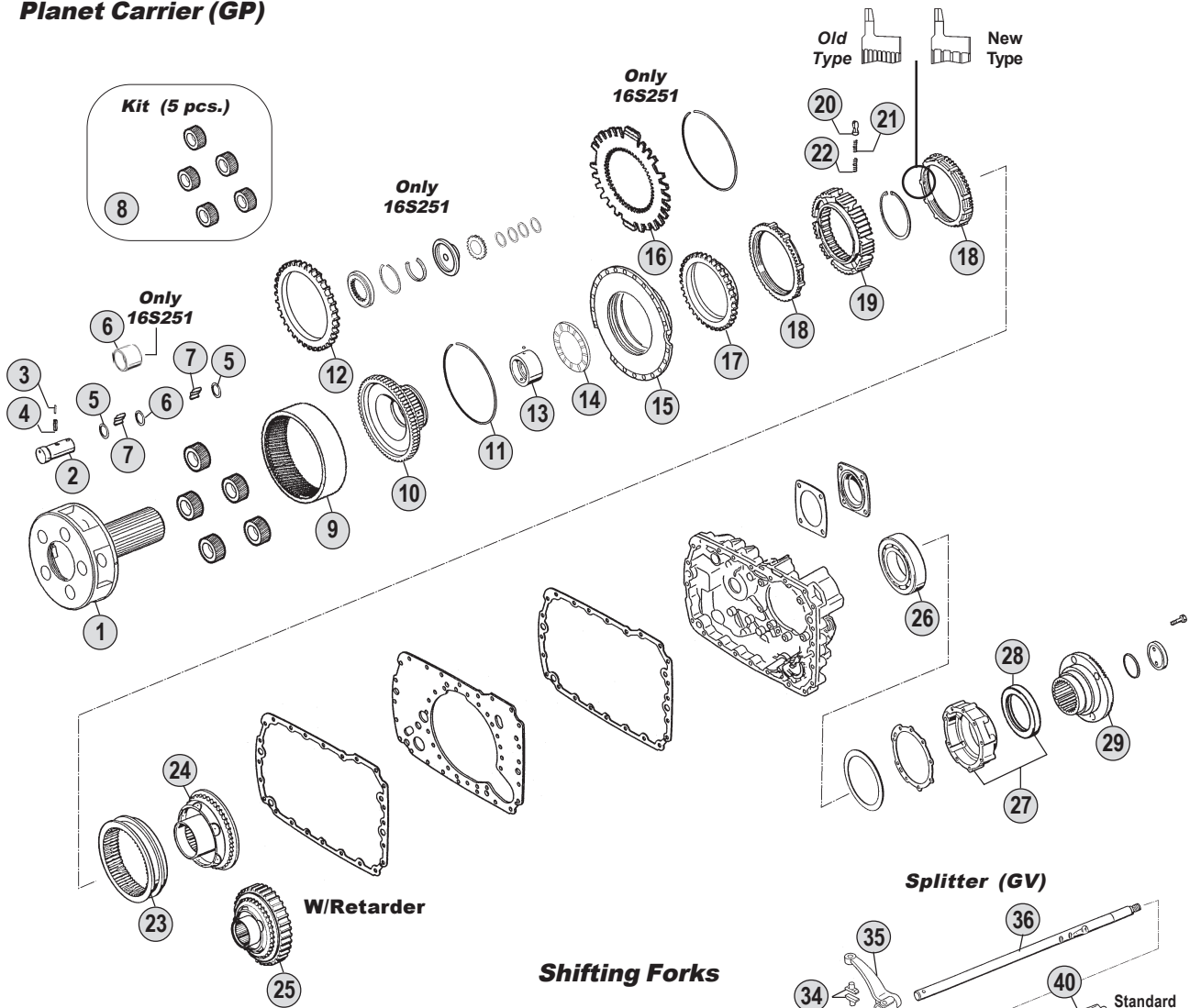
## Table

008 / A

Suitable To : **ZF**

**16S151 - 16S181 - 16S221 - 16S251**

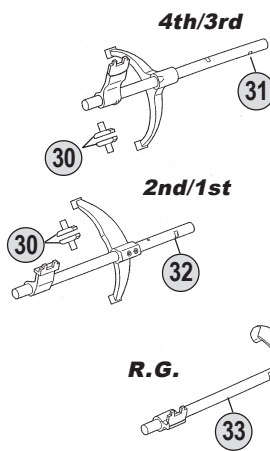
**Planet Carrier (GP)**



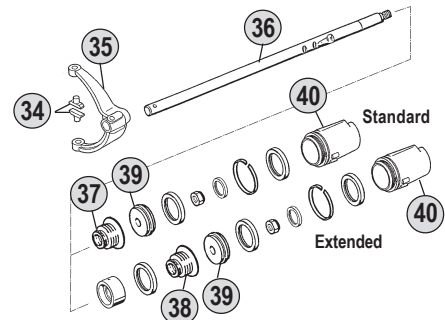
**Springs & Slides Kits**

|               |               |               |
|---------------|---------------|---------------|
| x 3           | x 6           | x 9           |
| x 3           | x 6           | x 9           |
| x 3           | x 6           | x 9           |
| <b>Kit 50</b> | <b>Kit 51</b> | <b>Kit 52</b> |

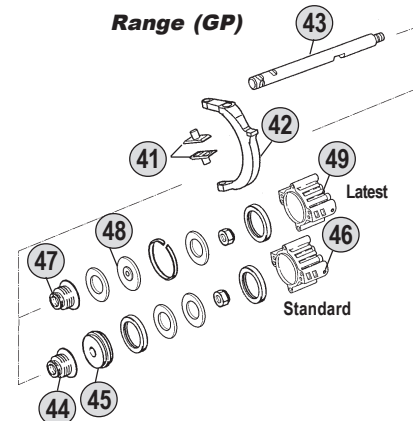
**Kits**



**Splitter (GV)**



**Range (GP)**



**Ratios**

|               |                  |                  |                  |        |        |
|---------------|------------------|------------------|------------------|--------|--------|
| <b>16S151</b> | A : 13,74 - 0,84 | B : 13,80 - 0,84 | C : 16,41 - 1,00 | D : -- | E : -- |
| <b>16S181</b> | A : --           | B : 13,80 - 0,84 | C : 16,41 - 1,00 | D : -- | E : -- |
| <b>16S221</b> | A : 13,74 - 0,84 | B : 13,80 - 0,84 | C : 16,41 - 1,00 | D : -- | E : -- |
| <b>16S251</b> | A : --           | B : 13,80 - 0,84 | C : --           | D : -- | E : -- |



All original equipment manufacturers' numbers, symbols, pictures, models and description used in this catalogue are for reference only, and it is not implied that any part listed is the product of these manufactures. Tutti i nostri particolari non sono originali ma con essi intercambiabili. I riferimenti originali, le figure, i modelli sono esposti a semplice titolo indicativo. La nostra produzione riporta il nostro marchio.

16S151 (1315)  
16S181 (1316)  
16S221 (1316)  
16S251 (1316)

| Fig. | CEI no. | O.E.M. Reference |               | Description                | Q.ty | Note     | Ratio |               |               |               |               |  |
|------|---------|------------------|---------------|----------------------------|------|----------|-------|---------------|---------------|---------------|---------------|--|
|      |         | ZF no.           | M.A.N. no.    |                            |      |          |       | 16S151 (1315) | 16S181 (1316) | 16S221 (1316) | 16S251 (1316) |  |
| 1    | 190.394 | 1315 232 016     | 81 32403 0107 | Planetary Carrier          | 1    |          |       | ●             |               |               |               |  |
| 1    | 190.325 | 1316 232 019     | 81 37501 0041 | Planetary Carrier          | 1    |          |       | ●             |               |               |               |  |
| 1    | 190.394 | 1315 232 016     | 81 32403 0107 | Planetary Carrier          | 1    | (4)      |       | ●             |               |               |               |  |
| 1    | 190.325 | 1316 232 019     | 81 37501 0041 | Planetary Carrier          | 1    |          |       |               | ●             |               |               |  |
| 1    |         | 1316 232 021     | 81 37501 0042 | Planetary Carrier          | 1    |          |       |               |               | ●             |               |  |
| 2    | 107.159 | 1315 332 053     | 81 32523 0205 | Planet Shaft               | 5    |          |       | ●             |               |               |               |  |
| 2    | 107.204 | 1316 332 096     | 81 32523 0210 | Planet Shaft               | 5    |          |       |               | ●             |               |               |  |
| 2    | 107.159 | 1315 332 053     | 81 32523 0205 | Planet Shaft               | 5    | (4)      |       |               | ●             |               |               |  |
| 2    | 107.204 | 1316 332 096     | 81 32523 0210 | Planet Shaft               | 5    |          |       |               |               | ●             |               |  |
| 2    |         | 1316 332 097     | 82 32523 0011 | Planet Shaft               | 5    |          |       |               |               |               | ●             |  |
| 3    | 160.195 | 0631 329 167     | 06 22120 0513 | Lock Pin D.3x26            | 5    |          |       | ●             | ●             | ●             | ●             |  |
| 4    | 160.194 | 0631 329 051     | 06 22120 0913 | Lock Pin D.5x26            | 5    |          |       | ●             | ●             | ●             | ●             |  |
| 5    | 169.744 | 0730 107 168     | 81 32313 0114 | Spacer Ring                | 10   |          |       | ●             |               |               |               |  |
| 5    | 269.009 | 0730 109 323     | 81 90713 0986 | Spacer Ring                | 10   |          |       |               | ●             |               |               |  |
| 5    | 169.744 | 0730 107 168     | 81 32313 0114 | Spacer Ring                | 10   | (4)      |       |               | ●             |               |               |  |
| 5    | 269.009 | 0730 109 323     | 81 90713 0986 | Spacer Ring                | 10   |          |       |               |               | ●             | ●             |  |
| 6    | 169.744 | 0730 107 168     | 81 32313 0114 | Spacer Ring                | 5    |          |       | ●             |               |               |               |  |
| 6    | 269.010 | 0730 109 309     | 81 90714 0147 | Spacer Ring                | 5    |          |       |               | ●             |               |               |  |
| 6    | 169.744 | 0730 107 168     | 81 32313 0114 | Spacer Ring                | 5    | (4)      |       |               | ●             |               |               |  |
| 6    | 269.010 | 0730 109 309     | 81 90714 0147 | Spacer Ring                | 5    |          |       |               |               | ●             |               |  |
| 6    |         | 0730 162 801     | 81 37509 0002 | Bush T.14,90               | 5    |          |       |               |               |               | ●             |  |
| 7    | 171.062 | 0750 119 116     | 81 93403 0023 | Roller D.10x16,8           | 140  |          |       | ●             | ●             | ●             | ●             |  |
| 8    | 198.798 | 1315 232 010     | 81 32301 6016 | Planetary Gear Set (5 pcs) | 1    |          |       | ●             |               |               |               |  |
| 8    | 298.024 | 1316 232 011     | 81 32301 6018 | Planetary Gear Set (5 pcs) | 1    |          |       |               | ●             |               |               |  |
| 8    | 198.798 | 1315 232 010     | 81 32301 6016 | Planetary Gear Set (5 pcs) | 1    | (4)      |       |               | ●             |               |               |  |
| 8    | 298.024 | 1316 232 011     | 81 32301 6018 | Planetary Gear Set (5 pcs) | 1    |          |       |               |               | ●             |               |  |
| 8    |         | 1316 232 017     | 81 37505 6010 | Planetary Gear Set (5 pcs) | 1    |          |       |               |               |               | ●             |  |
| 9    | 123.211 | 1315 332 041     | 81 32301 0984 | Crown Gear                 | 1    |          |       | ●             | ●             | ●             | ●             |  |
| 9    |         | 1316 332 042     | 81 32301 0991 | Crown Gear                 | 1    |          |       |               |               |               | ●             |  |
| 10   | 150.136 | 1316 332 103     | 81 32403 0108 | Carrier Hub                | 1    |          |       | ●             | ●             | ●             | ●             |  |
| 10   |         | 1316 332 073     | 81 32403 0106 | Carrier Hub                | 1    |          |       |               |               |               | ●             |  |
| 11   |         | 0730 513 583     | 81 32240 0022 | Locking Wire               | 1    |          |       | ●             | ●             | ●             | ●             |  |
| 11   |         | 0730 513 639     | 81 90820 0535 | Locking Wire               | 1    |          |       |               |               |               | ●             |  |
| 12   |         | 1316 332 044     | 81 37503 0012 | Ring Gear                  | 1    |          |       |               |               |               | ●             |  |
| 13   |         | 1316 333 014     | 81 32313 0306 | Bush                       | 1    |          |       | ●             | ●             | ●             | ●             |  |
| 14   | 130.312 | 0735 298 169     | 81 93401 0062 | Bearing D.104,50x128,40x10 | 1    |          |       | ●             | ●             | ●             | ●             |  |
| 15   | 135.122 | 1296 333 046     | 81 30301 4861 | Saddle Plate               | 1    |          |       | ●             | ●             | ●             | ●             |  |
| 16   |         | 1316 333 026     | 81 32425 0155 | Saddle Plate               | 1    |          |       |               |               |               | ●             |  |
| 17   | 109.174 | 1296 333 050     | 81 32425 0141 | Synchronizer Cone          | 1    |          |       | ●             | ●             | ●             | ●             |  |
| 18   | 119.085 | 1296 333 022     | 81 32420 0096 | Synchronizer Ring          | 2    | Old Type |       | ●             | ●             | ●             | ●             |  |
| 18   | 119.172 | 1296 333 045     | 81 32420 0236 | Synchronizer Ring          | 2    | New Type |       | ●             | ●             | ●             | ●             |  |
| 19   | 157.182 | 1313 333 001     | 81 32420 0152 | Synchronizer Hub           | 1    |          |       | ●             | ●             | ●             | ●             |  |
| 20   | 160.116 | 1240 304 278     | 81 32510 0005 | Pressure Piece             | 9    |          |       | ●             | ●             | ●             | ●             |  |
| 21   | 156.036 | 0732 040 386     | 81 97601 0758 | Inner Spring De.3x34       | 9    |          |       | ●             | ●             | ●             | ●             |  |
| 22   | 156.037 | 0732 040 385     | 81 97601 0757 | Outer Spring De.6x34       | 9    |          |       | ●             | ●             | ●             | ●             |  |

## Notes

(4) 16S181 Special GP Version. This version use 16S151 GP items.  
For this version use items marked (4) together.

## Date

03 / 2006

## Table

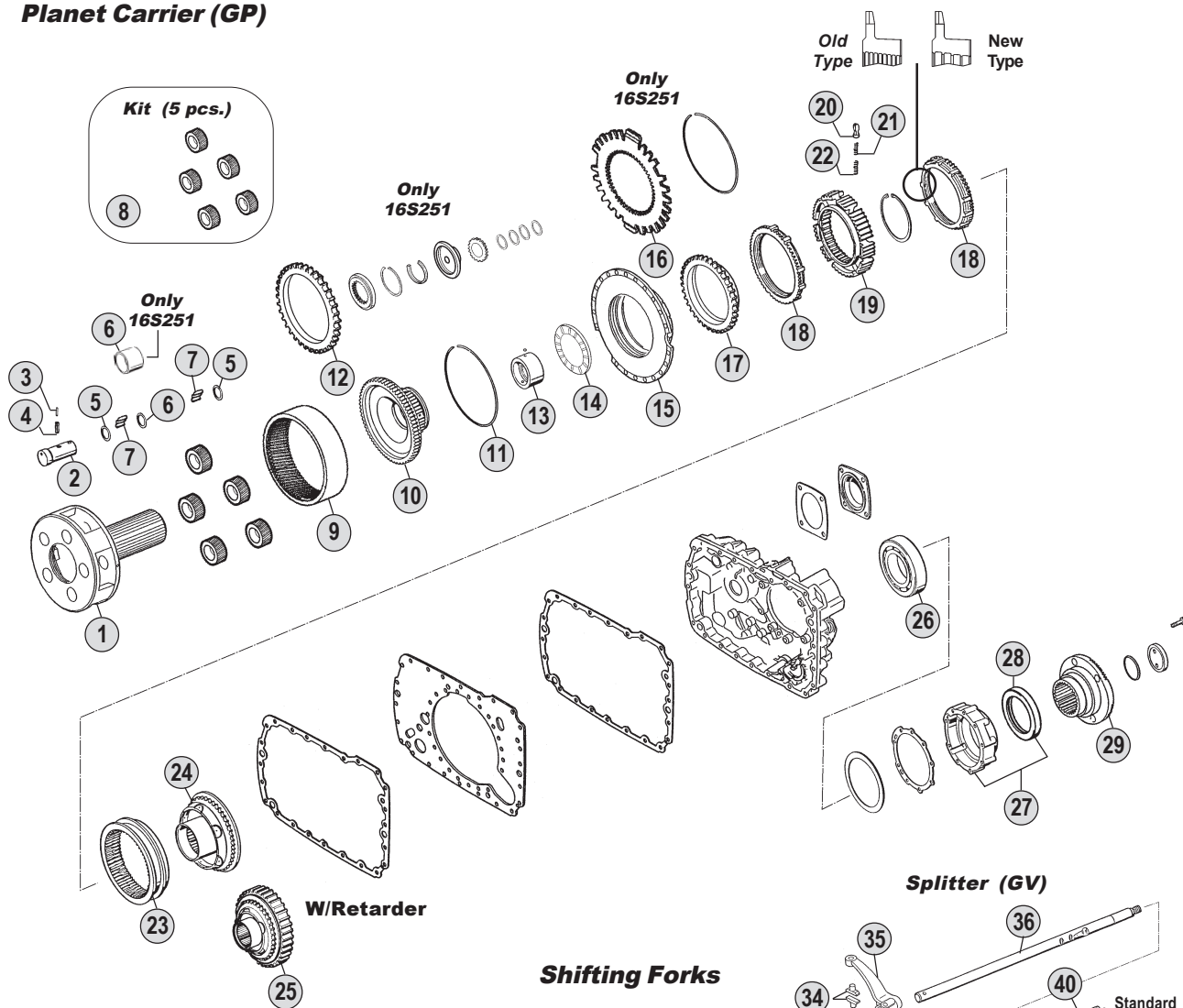
008 / B

All original equipment manufacturers numbers, symbols, pictures, models and description used in this catalogue are for reference only, and it is not implied that any part listed is the product of these manufactures.  
Tutti i nostri particolari non sono originali ma con essi intercambiabili. I riferimenti originali, le figure, i modelli sono esposti a semplice titolo indicativo. La nostra produzione riporta il nostro marchio.

Suitable To : **ZF**

**16S151 - 16S181 - 16S221 - 16S251**

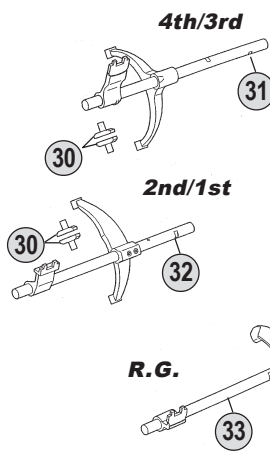
**Planet Carrier (GP)**



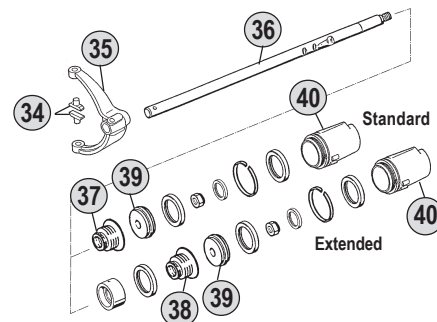
**Springs & Slides Kits**

|               |               |               |
|---------------|---------------|---------------|
| x 3           | x 6           | x 9           |
| x 3           | x 6           | x 9           |
| x 3           | x 6           | x 9           |
| <b>Kit 50</b> | <b>Kit 51</b> | <b>Kit 52</b> |

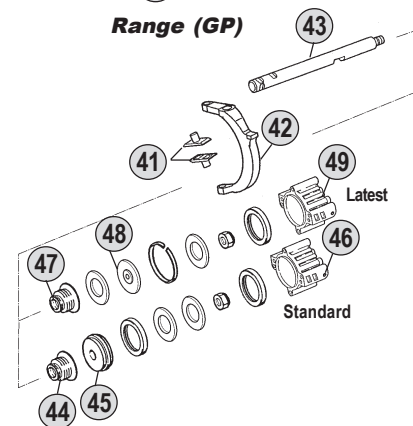
**Kits**



**Splitter (GV)**



**Range (GP)**



**Ratios**

|               |               |                 |                 |       |       |
|---------------|---------------|-----------------|-----------------|-------|-------|
| <b>16S151</b> | A: 13,74-0,84 | B: 13,80 - 0,84 | C: 16,41 - 1,00 | D: -- | E: -- |
| <b>16S181</b> | A: --         | B: 13,80 - 0,84 | C: 16,41 - 1,00 | D: -- | E: -- |
| <b>16S221</b> | A: 13,74-0,84 | B: 13,80 - 0,84 | C: 16,41 - 1,00 | D: -- | E: -- |
| <b>16S251</b> | A: --         | B: 13,80 - 0,84 | C: --           | D: -- | E: -- |



All original equipment manufacturers' numbers, symbols, pictures, models and description used in this catalogue are for reference only, and it is not implied that any part listed is the product of these manufactures. Tutti i nostri particolari non sono originali ma con essi intercambiabili. I riferimenti originali, le figure, i modelli sono esposti a semplice titolo indicativo. La nostra produzione riporta il nostro marchio.

16S151 (1315)  
16S181 (1316)  
16S221 (1316)  
16S251 (1316)

| Fig. | CEI no. | O.E.M. Reference |               | Description                     | Q.ty | Note          | Ratio |               |               |               |               |  |  |
|------|---------|------------------|---------------|---------------------------------|------|---------------|-------|---------------|---------------|---------------|---------------|--|--|
|      |         | ZF no.           | M.A.N. no.    |                                 |      |               |       | 16S151 (1315) | 16S181 (1316) | 16S221 (1316) | 16S251 (1316) |  |  |
| 23   | 154.098 | 1296 333 023     | 81 32402 0111 | Sliding Sleeve                  | 1    |               |       | ●             | ●             | ●             | ●             |  |  |
| 24   | 109.175 | 1316 233 015     | 81 32425 0132 | Synchronizer Cone (44 Spl.)     | 1    |               |       | ●             | ●             | ●             | ●             |  |  |
| 25   | 196.270 | 1316 233 014     | 81 32425 0136 | Synchronizer Cone 59 T (44 Spl) | 1    | With Retarder |       | ●             | ●             | ●             | ●             |  |  |
| 26   | 130.245 | 0750 116 002     | 81 93410 0046 | Bearing D.90x160x30             | 1    |               |       | ●             | ●             | ●             | ●             |  |  |
| 27   |         | 1315 231 004     |               | Cover                           | 1    |               |       | ●             | ●             | ●             | ●             |  |  |
| 28   |         | 0750 111 341     | 81 96503 0236 | Oil Seal 105x130x12             | 1    |               |       | ●             | ●             | ●             | ●             |  |  |
| 29   |         | 1297 333 110     | 81 39115 0289 | Output Flange                   | 1    | D.180-4H.     |       | ●             | ●             | ●             | ●             |  |  |
| 29   |         | 1316 232 028     |               | Output Flange                   | 1    | D.222-4H.     |       | ●             |               |               |               |  |  |
| 29   |         | 1316 338 002     | 81 39115 0381 | Output Flange                   | 1    | D.180-4H.     |       |               |               | ●             |               |  |  |
| 30   | 141.163 | 1297 306 120     | 81 32526 0031 | Slide                           | 2    | Old Type      |       | ●             | ●             | ●             | ●             |  |  |
| 30   | 141.168 | 1316 306 015     | 81 32526 0039 | Slide                           | 2    | New Type      |       | ●             | ●             | ●             | ●             |  |  |
| 31   |         | 1315 206 013     | 81 32518 0186 | Fork                            | 1    | Old Type      |       | ●             |               |               |               |  |  |
| 31   |         | 1315 206 055     |               | Fork                            | 1    | New Type      |       | ●             |               |               |               |  |  |
| 31   |         | 1315 206 024     |               | Fork                            | 1    | Old Type      |       | ●             |               |               |               |  |  |
| 31   |         | 1315 206 056     |               | Fork                            | 1    | New Type      |       | ●             |               |               |               |  |  |
| 31   |         | 1316 206 018     | 81 32518 0193 | Fork                            | 1    | Old Type      |       |               | ●             | ●             | ●             |  |  |
| 31   |         | 1316 206 037     |               | Fork                            | 1    | New Type      |       |               | ●             | ●             | ●             |  |  |
| 31   |         | 1316 206 017     |               | Fork                            | 1    | Old Type      |       |               |               | ●             |               |  |  |
| 31   |         | 1316 206 038     |               | Fork                            | 1    | New Type      |       |               |               | ●             |               |  |  |
| 32   |         | 1315 206 046     | 81 32518 0231 | Fork                            | 1    | Old Type      |       | ●             |               |               |               |  |  |
| 32   |         | 1315 206 052     |               | Fork                            | 1    | New Type      |       | ●             |               |               |               |  |  |
| 32   |         | 1315 206 047     |               | Fork                            | 1    | Old Type      |       | ●             |               |               |               |  |  |
| 32   |         | 1315 206 053     |               | Fork                            | 1    | New Type      |       | ●             |               |               |               |  |  |
| 32   |         | 1316 206 025     | 81 32518 0234 | Fork                            | 1    | Old Type      |       |               | ●             | ●             | ●             |  |  |
| 32   |         | 1316 206 033     |               | Fork                            | 1    | New Type      |       |               | ●             | ●             | ●             |  |  |
| 32   |         | 1316 206 026     |               | Fork                            | 1    | Old Type      |       |               |               | ●             |               |  |  |
| 32   |         | 1316 206 034     |               | Fork                            | 1    | New Type      |       |               |               | ●             |               |  |  |
| 32   |         | 1316 206 027     |               | Fork                            | 1    | Old Type      |       |               |               | ●             |               |  |  |
| 32   |         | 1316 206 035     |               | Fork                            | 1    | New Type      |       |               |               | ●             |               |  |  |
| 33   |         | 1315 206 003     |               | Fork                            | 1    |               |       | ●             |               |               |               |  |  |
| 33   |         | 1315 206 023     | 81 32518 0187 | Fork                            | 1    |               |       | ●             |               |               |               |  |  |
| 33   |         | 1316 206 013     | 81 32518 0191 | Fork                            | 1    |               |       |               | ●             | ●             | ●             |  |  |
| 33   |         | 1316 206 014     |               | Fork                            | 1    |               |       |               |               | ●             |               |  |  |
| 34   | 141.163 | 1297 306 120     | 81 32526 0031 | Slide                           | 2    | Old Type      |       | ●             | ●             | ●             | ●             |  |  |
| 34   | 141.168 | 1316 306 015     | 81 32526 0039 | Slide                           | 2    | New Type      |       | ●             | ●             | ●             | ●             |  |  |
| 35   |         | 1315 312 017     | 81 32516 0125 | Fork                            | 1    | Old Type      |       | ●             | ●             | ●             | ●             |  |  |
| 35   |         | 1315 312 074     |               | Fork                            | 1    | New Type      |       | ●             | ●             | ●             | ●             |  |  |
| 36   |         | 1315 312 049     | 81 32518 0230 | Rod                             | 1    | Standard      |       | ●             |               |               |               |  |  |
| 36   |         | 1315 312 022     | 81 32518 0188 | Rod                             | 1    | Extended      |       | ●             |               |               |               |  |  |
| 36   |         | 1316 312 016     | 82 32518 0010 | Rod                             | 1    | Standard      |       |               | ●             | ●             | ●             |  |  |
| 36   |         | 1316 312 008     | 81 32518 0194 | Rod                             | 1    | Extended      |       |               |               | ●             |               |  |  |
| 37   |         | 0750 112 131     | 81 96401 0163 | Cap Collar D.25x40x15           | 1    | Standard      |       | ●             | ●             | ●             | ●             |  |  |
| 38   | 139.331 | 0750 112 034     | 81 96401 0148 | Cap Collar D.25x38x14,2         | 1    | Extended      |       | ●             |               | ●             |               |  |  |
| 39   |         | 1315 312 020     | 81 32739 0027 | Piston                          | 1    |               |       | ●             | ●             | ●             | ●             |  |  |
| 40   |         | 1315 312 048     | 81 32638 0032 | Cylinder                        | 1    |               |       | ●             |               |               |               |  |  |

## Notes

(4) 16S181 Special GP Version. This version use 16S151 GP items.  
For this version use items marked (4) together.

## Date

03 / 2006

## Table

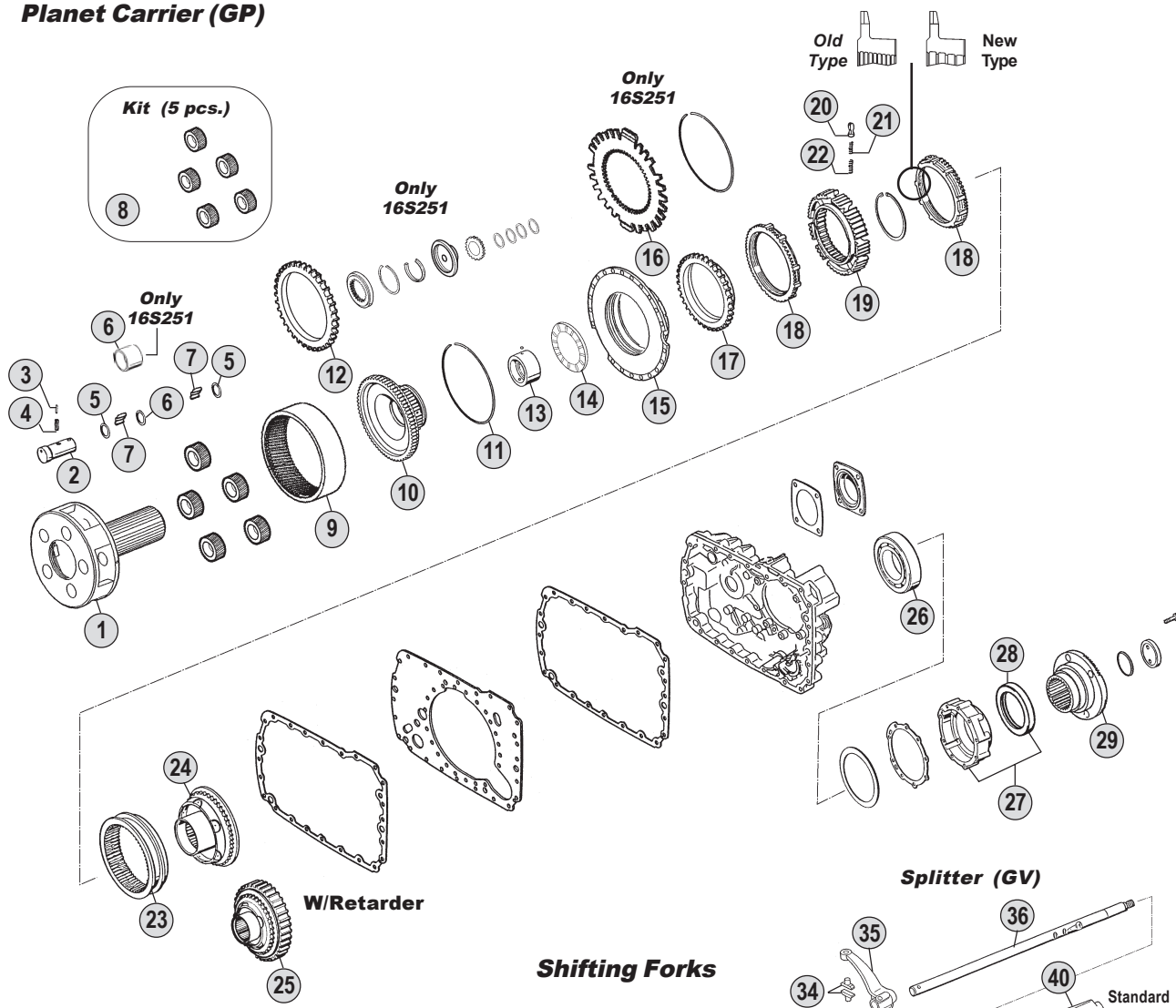
008 / B

ECO III  
From 16S151  
To 16S251

Suitable To : **ZF**

**16S151 - 16S181 - 16S221 - 16S251**

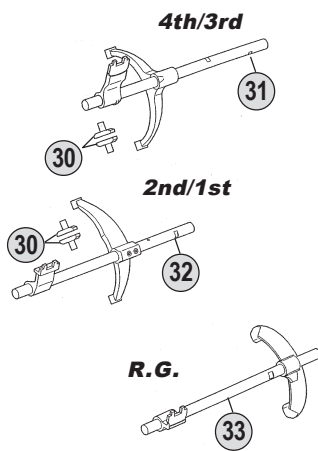
**Planet Carrier (GP)**



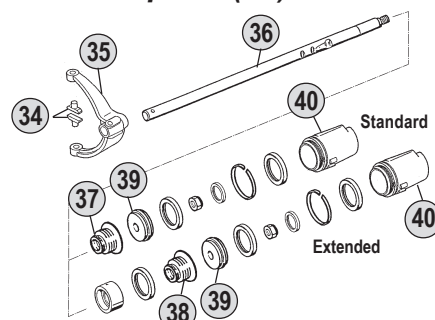
**Springs & Slides Kits**

|               |               |               |
|---------------|---------------|---------------|
| x 3           | x 6           | x 9           |
| x 3           | x 6           | x 9           |
| x 3           | x 6           | x 9           |
| <b>Kit 50</b> | <b>Kit 51</b> | <b>Kit 52</b> |

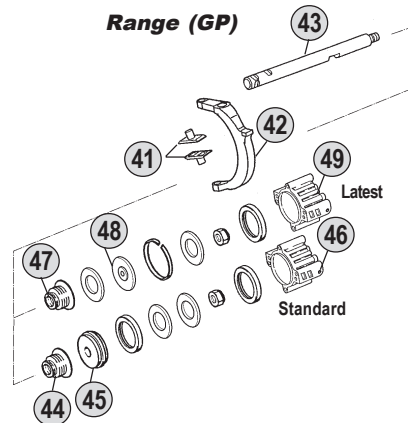
**Shifting Forks**



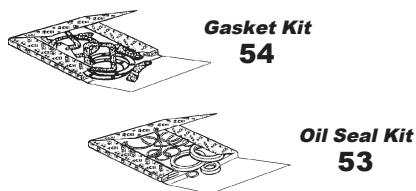
**Splitter (GV)**



**Range (GP)**



**Kits**



**Ratios**

|               |               |                 |                 |       |       |
|---------------|---------------|-----------------|-----------------|-------|-------|
| <b>16S151</b> | A: 13,74-0,84 | B: 13,80 - 0,84 | C: 16,41 - 1,00 | D: -- | E: -- |
| <b>16S181</b> | A: --         | B: 13,80 - 0,84 | C: 16,41 - 1,00 | D: -- | E: -- |
| <b>16S221</b> | A: 13,74-0,84 | B: 13,80 - 0,84 | C: 16,41 - 1,00 | D: -- | E: -- |
| <b>16S251</b> | A: --         | B: 13,80 - 0,84 | C: --           | D: -- | E: -- |

All original equipment manufacturers' numbers, symbols, pictures, models and description used in this catalogue are for reference only, and it is not implied that any part listed is the product of these manufactures. Tutti i nostri particolari non sono originali ma con essi intercambiabili. I riferimenti originali, le figure, i modelli sono esposti a semplice titolo indicativo. La nostra produzione riporta il nostro marchio.

16S151 (1315)  
16S181 (1316)  
16S221 (1316)  
16S251 (1316)

All original equipment manufacturers numbers, symbols, pictures, models and description used in this catalogue are for reference only, and it is not implied that any part listed is the product of these manufactures.  
Tutti i nostri particolari non sono originali ma con essi intercambiabili. I riferimenti originali, le figure, i modelli sono esposti a semplice titolo indicativo. La nostra produzione riporta il nostro marchio.

| Fig. | CEI no. | O.E.M. Reference |               | Description             | Q.ty | Note          | Ratio |               |               |               |               |  |
|------|---------|------------------|---------------|-------------------------|------|---------------|-------|---------------|---------------|---------------|---------------|--|
|      |         | ZF no.           | M.A.N. no.    |                         |      |               |       | 16S151 (1315) | 16S181 (1316) | 16S221 (1316) | 16S251 (1316) |  |
| 40   |         | 1316 312 015     | 81 32638 0037 | Cylinder                | 1    |               |       | ●             | ●             | ●             |               |  |
| 41   | 141.085 | 1296 334 004     | 81 32526 0026 | Bronze Slide            | 2    |               |       | ●             | ●             | ●             | ●             |  |
| 42   |         | 1315 334 039     | 81 32515 0098 | Fork                    | 1    |               |       | ●             | ●             | ●             | ●             |  |
| 43   |         | 1315 334 058     | 81 32518 0250 | Rod                     | 1    |               |       | ●             |               |               |               |  |
| 43   |         | 1316 334 010     | 81 32518 0218 | Rod                     | 1    |               |       |               | ●             | ●             |               |  |
| 43   |         | 1316 334 011     |               | Rod                     | 1    |               |       |               |               |               | ●             |  |
| 44   | 139.331 | 0750 112 034     | 81 96401 0148 | Cap Collar D.25x38x14,2 | 1    | Standard Type |       | ●             |               | ●             |               |  |
| 45   | 189.422 | 1296 334 039     | 81 32639 0019 | Piston                  | 1    | Standard Type |       | ●             |               | ●             |               |  |
| 46   |         | 1315 334 021     | 81 32638 0024 | Cylinder                | 1    | Standard Type |       | ●             |               | ●             |               |  |
| 47   |         | 0750 112 131     | 81 96401 0163 | Cap Collar D.25x40x15   | 1    | Latest Type   |       | ●             | ●             | ●             | ●             |  |
| 48   |         | 1315 334 034     | 81 32639 0056 | Piston                  | 1    | Latest Type   |       | ●             | ●             | ●             | ●             |  |
| 49   |         | 1315 334 056     | 81 32638 0040 | Cylinder                | 1    | Latest Type   |       | ●             | ●             | ●             | ●             |  |
| 50   | 198.339 | 1268 298 938     |               | Spring Slide Set        | 1    |               |       | ●             | ●             | ●             | ●             |  |
| 51   | 198.564 | CEI 198564       |               | Spring Slide Set        | 1    |               |       | ●             | ●             | ●             | ●             |  |
| 52   | 198.842 | 1295 298 933     |               | Spring Slide Set        | 1    |               |       | ●             | ●             | ●             | ●             |  |
| 53   | 198.838 | 1315 298 002     | 81 96502 6086 | Oil Seal Kit            | 1    |               |       | ●             | ●             | ●             | ●             |  |
| 54   | 198.797 | 1315 298 001     | 81 96601 6000 | Gasket Kit              | 1    |               |       | ●             | ●             | ●             | ●             |  |

**ECO III**  
From 16S151  
To 16S251

Notes

(4) 16S181 Special GP Version. This version use 16S151 GP items.  
For this version use items marked (4) together.

Date

03 / 2006

Table

008 / B







Suitable to: **Iveco**

# Gearboxes Index

## EcoSplit I

**16S130****16S160****16S190****16S160/1****16S190/1**

## EcoSplit II

**16S150****16S220**

## EcoSplit III

**16S151****16S181****16S221****IVECO  
INDEX**



suitable to :

**Z.F.****EcoSplit I****From 16S112 to 16S190****Application**

|                 | <b>16S112</b> | <b>16S130</b> | <b>16S160</b> | <b>16S190</b> |
|-----------------|---------------|---------------|---------------|---------------|
|                 | (1296)        | (1295)        | (1297)        | (1297)        |
| <b>MERCEDES</b> |               |               |               |               |
| <b>M.A.N.</b>   |               |               |               |               |
| <b>IVECO</b>    |               |               |               |               |
| <b>R.V.I.</b>   |               |               |               |               |
| <b>DAF</b>      |               |               |               |               |
| <b>VOLVO</b>    |               |               |               |               |

**Ratios**

|               | <b>R.10,14-0,72</b> | <b>R.11,46-0,85</b> | <b>R.13,68-1,00</b> | <b>R.14,29-0,82</b> | <b>R.17,06-1,00</b> |
|---------------|---------------------|---------------------|---------------------|---------------------|---------------------|
|               | <b>A</b>            | <b>B</b>            | <b>C</b>            | <b>D</b>            | <b>E</b>            |
| <b>16S112</b> |                     |                     |                     |                     |                     |
| <b>16S130</b> |                     |                     |                     |                     |                     |
| <b>16S160</b> |                     |                     |                     |                     |                     |
| <b>16S190</b> |                     |                     |                     |                     |                     |

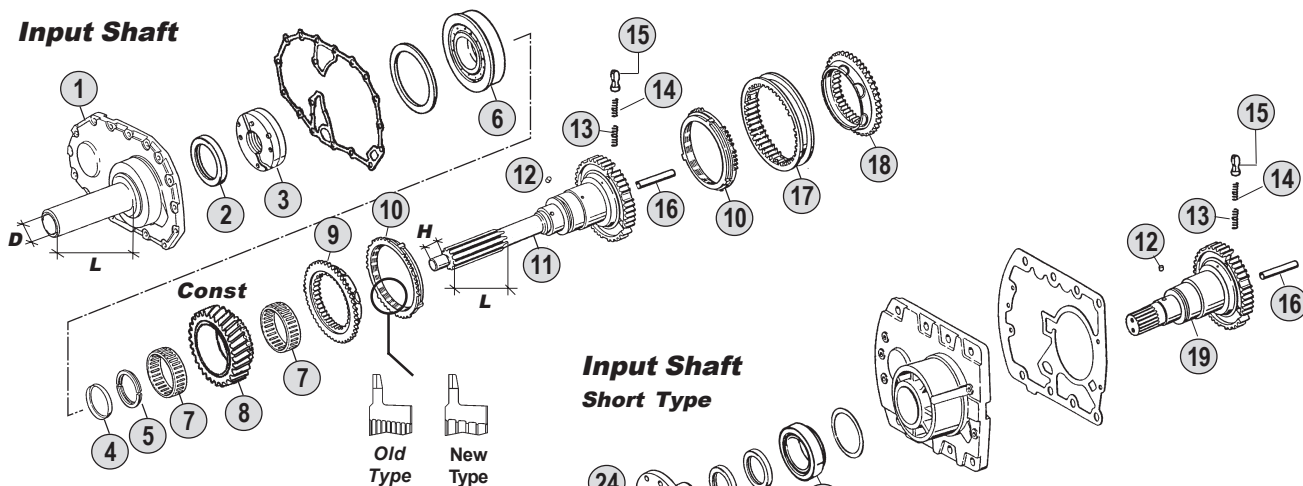
All original equipment manufacturers numbers, symbols, pictures, models and description used in this catalogue are for reference only, and it is not implied that any part listed is the product of these manufactures. Tutti i nostri particolari non sono originali ma con essi intercambiabili. I riferimenti originali, le figure, i modelli sono esposti a semplice titolo indicativo. La nostra produzione riporta il nostro marchio.

**ECO I**  
From 16S130  
To 16S190

Suitable To : **ZF**

**16S130 - 16S160 - 16S190**

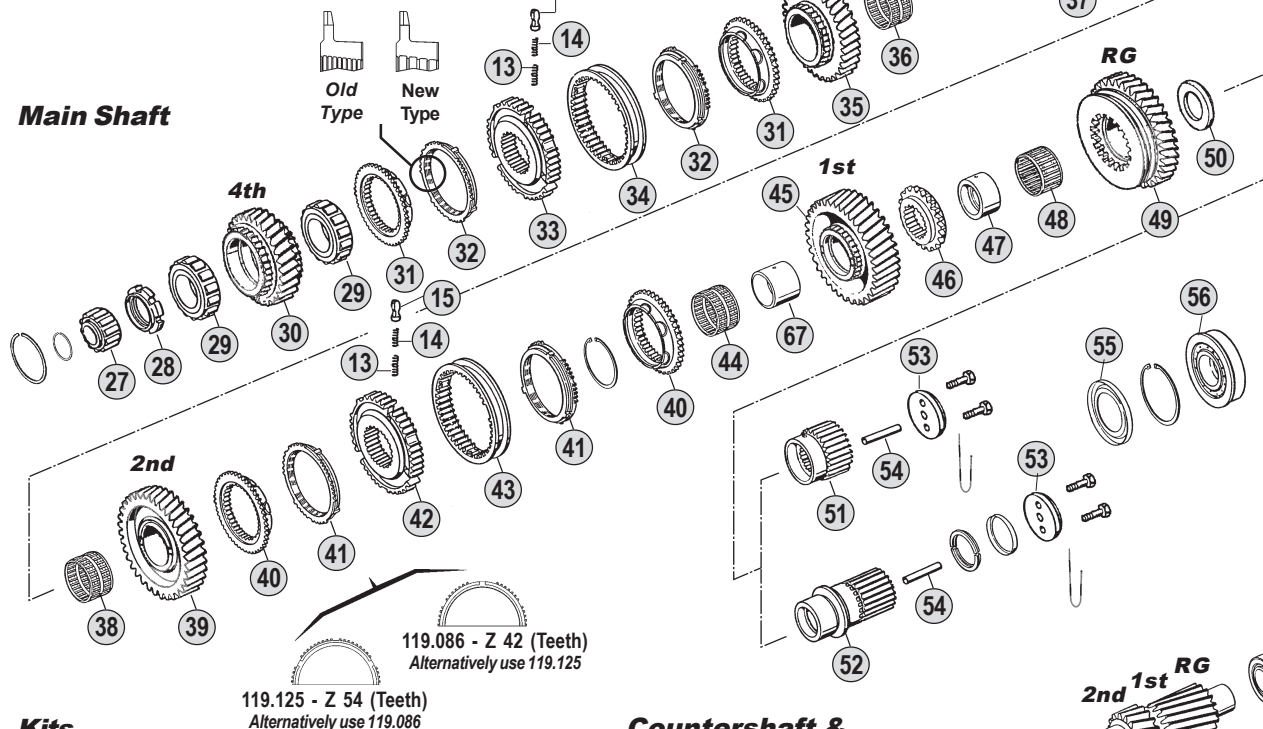
**Input Shaft**



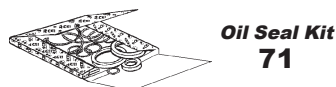
**Springs & Slides Kits**

|               |               |               |
|---------------|---------------|---------------|
| x 3           | x 6           | x 9           |
| x 3           | x 6           | x 9           |
| x 3           | x 6           | x 9           |
| <b>Kit 68</b> | <b>Kit 69</b> | <b>Kit 70</b> |

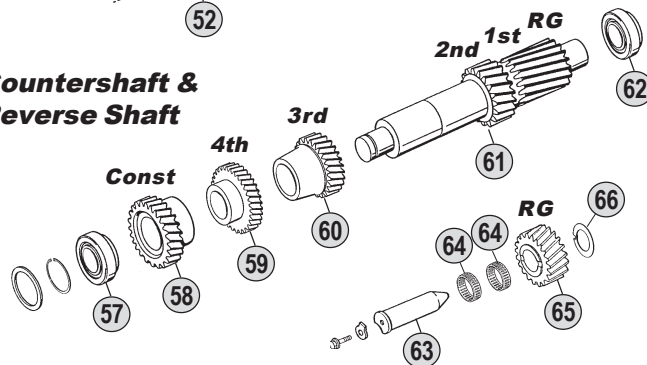
**Main Shaft**



**Kits**



**Countershaft & Reverse Shaft**



**Ratios**

|               |                  |                  |                  |                  |                  |
|---------------|------------------|------------------|------------------|------------------|------------------|
| <b>16S130</b> | A : 10,14 - 0,72 | B : 11,46 - 0,85 | C : 13,68 - 1,00 | D : 14,29 - 0,82 | E : --           |
| <b>16S160</b> | A : --           | B : 11,46 - 0,85 | C : 13,68 - 1,00 | D : 14,29 - 0,82 | E : 17,06 - 1,00 |
| <b>16S190</b> | A : --           | B : 11,46 - 0,85 | C : 13,68 - 1,00 | D : 14,29 - 0,82 | E : 17,06 - 1,00 |



All original equipment manufacturers' numbers, symbols, pictures, models and description used in this catalogue are for reference only, and it is not implied that any part listed is the product of these manufactures. Tutti i nostri particolari non sono originali ma con essi intercambiabili. I riferimenti originali, le figure, i modelli sono esposti a semplice titolo indicativo. La nostra produzione riporta il nostro marchio.

16S130 (1286)  
16S160 (1297)  
16S190 (1297)

| Fig. | O.E.M. Reference |              | Description | Q.ty                      | Note | Ratio               |           |               |               |               |   |   |
|------|------------------|--------------|-------------|---------------------------|------|---------------------|-----------|---------------|---------------|---------------|---|---|
|      | CEI no.          | ZF no.       |             |                           |      |                     | IVECO no. | 16S130 (1286) | 16S160 (1297) | 16S190 (1297) |   |   |
| 1    |                  | 1297 302 013 | 8194490     | Front Cover               | 1    | L=170 -D=57         | ●         | ●             | ●             |               |   |   |
| 1    |                  | 1297 302 108 | 7982249     | Front Cover               | 1    | L=190 -D=57         | ●         |               |               |               |   |   |
| 1    |                  | 1297 302 169 | 8194830     | Front Cover               | 1    | L=190 -D=62,61      | ●         | ●             |               |               |   |   |
| 1    |                  | 1297 302 043 | 8190711     | Front Cover               | 1    | L=170 -D=62,61      |           | ●             | ●             |               |   |   |
| 1    |                  | 1297 302 107 | 7982248     | Front Cover               | 1    | L=160 -D=62,61      |           | ●             |               |               |   |   |
| 2    |                  | 0750 111 002 | 9981327     | Oil Seal 48x75x8          | 1    |                     | ●         |               |               |               |   |   |
| 2    |                  | 0634 310 733 | 8197128     | Oil Seal 90x110x13        | 1    | (1)                 | ●         |               | ●             |               |   |   |
| 2    | 139.754          | 0734 310 386 | 42533218    | Oil Seal 55x75x8          | 1    | (5)                 | ●         | ●             | ●             |               |   |   |
| 3    | <b>280.348</b>   | 1295 202 041 | 8190359     | Oil Pump                  | 1    |                     | ●         | ●             | ●             |               |   |   |
| 4    | 169.754          | 0730 061 816 | 9931723     | Securing Ring             | 1    |                     | ●         | ●             | ●             |               |   |   |
| 4    | 169.755          | 0730 062 579 | 8121935     | Securing Ring             | 1    | S.4,20 mm           | ●         | ●             | ●             |               |   |   |
| 5    |                  | 0730 103 244 | 42480821    | Split Ring T.4,30 mm      | 1    | S.4,30 mm (2)       | ●         | ●             | ●             |               |   |   |
| 5    |                  | 0730 103 935 | 42492467    | Split Ring T.3,80 mm      | 1    | S.3,80 mm (2)       | ●         | ●             | ●             |               |   |   |
| 5    |                  | 0730 105 156 | 8121934     | Split Ring T.4,00 mm      | 1    | S.4,00 mm (3)       | ●         | ●             | ●             |               |   |   |
| 5    |                  | 0730 105 154 | 8121932     | Split Ring T.3,80 mm      | 1    | S.3,80 mm (3)       | ●         | ●             | ●             |               |   |   |
| 6    | 130.305          | 0750 118 131 | 1905088     | Bearing D.80x150x27,50    | 1    |                     | ●         | ●             | ●             |               |   |   |
| 7    | <b>137.082</b>   | 0735 320 786 | 42493968    | Needle Cage D.88x96x24,50 | 2    |                     | ●         |               |               |               |   |   |
| 7    | <b>137.153</b>   | 0735 320 896 | 8123819     | Needle Cage D.88x96x29    | 2    |                     |           | ●             | ●             |               |   |   |
| 8    | <b>145.276</b>   | 1295 302 071 | 8123585     | Constant Gear 28 T        | 1    |                     |           |               |               | AC            |   |   |
| 8    | 145.489          | 1295 302 070 | 42492526    | Constant Gear 30 T        | 1    |                     |           |               |               | B             |   |   |
| 8    | <b>145.541</b>   | 1295 302 122 | 93157443    | Constant Gear 29 T        | 1    |                     |           |               |               | D             |   |   |
| 8    | <b>145.466</b>   | 1297 302 177 | 93157252    | Constant Gear 30 T        | 1    |                     |           |               |               | B             | ● | ● |
| 8    | <b>145.406</b>   | 1297 302 176 | 8190712     | Constant Gear 28 T        | 1    |                     |           |               |               | C             | ● | ● |
| 8    | <b>145.405</b>   | 1297 302 250 | 42536778    | Constant Gear 29 T        | 1    |                     |           |               |               | D             | ● | ● |
| 8    | <b>145.407</b>   | 1297 302 241 | 8198793     | Constant Gear 26 T        | 1    |                     |           |               |               | E             | ● | ● |
| 9    | <b>109.072</b>   | 1295 304 278 | 7982177     | Synchronizer Cone         | 1    |                     | ●         | ●             | ●             |               |   |   |
| 10   | <b>119.084</b>   | 1295 304 004 | 7982165     | Synchronizer Ring         | 2    | Old Type            | ●         | ●             | ●             |               |   |   |
| 10   | <b>119.175</b>   | 1304 304 686 | 42536530    | Synchronizer Ring         | 2    | New Type            | ●         | ●             | ●             |               |   |   |
| 11   | 102.230          | 1295 202 004 | 8194489     | Input Shaft               | 1    | L=115H=32           | ●         |               |               |               |   |   |
| 11   | 102.253          | 1295 202 012 | 7982147     | Input Shaft               | 1    |                     | ●         |               |               |               |   |   |
| 11   |                  | 1295 202 025 |             | Input Shaft               | 1    |                     | ●         |               |               |               |   |   |
| 11   |                  | 1295 221 003 |             | Input Shaft               | 1    | NMV130 (Clutch PTO) | ●         |               |               |               |   |   |
| 11   | 102.236          | 1297 202 009 | 8190709     | Input Shaft               | 1    | L=125H=31,5         |           | ●             | ●             |               |   |   |
| 11   |                  | 1297 221 009 |             | Input Shaft               | 1    | NMV130 (Clutch PTO) |           |               | ●             |               |   |   |
| 12   |                  | 0635 470 012 | 9931670     | Pin                       | 1    |                     | ●         | ●             | ●             |               |   |   |
| 13   | <b>156.037</b>   | 0732 040 385 | 8832940     | Outer Spring De.6x34      | 3    |                     | ●         | ●             | ●             |               |   |   |
| 14   | <b>156.036</b>   | 0732 040 386 | 9931785     | Inner Spring De.3x34      | 3    |                     | ●         | ●             | ●             |               |   |   |
| 15   | <b>160.116</b>   | 1240 304 278 | 2960200     | Pressure piece            | 3    |                     | ●         | ●             | ●             |               |   |   |
| 16   | 188.208          | 0730 062 323 | 93190980    | Oil Tube                  | 1    |                     | ●         | ●             | ●             |               |   |   |
| 17   | <b>154.097</b>   | 1295 304 002 | 7982164     | Sliding Sleeve            | 1    |                     | ●         | ●             | ●             |               |   |   |
| 18   | <b>109.072</b>   | 1295 304 278 | 7982177     | Synchronizer Cone         | 1    |                     | ●         | ●             | ●             |               |   |   |
| 19   | 190.168          | 1295 202 036 | 8190360     | Input shaft               | 1    |                     | ●         |               |               |               |   |   |
| 19   | <b>102.237</b>   | 1297 202 044 | 8123821     | Input Shaft               | 1    |                     |           | ●             | ●             |               |   |   |
| 20   |                  | 0750 117 651 | 1905420     | Bearing 50x90x24,7        | 1    |                     | ●         | ●             | ●             |               |   |   |
| 21   |                  | 0634 310 648 | 7984238     | Oil Seal 70x90x10         | 1    |                     | ●         | ●             | ●             |               |   |   |

## Notes

- (1) Only for input Shaft 1295 221 003 - 1297 221 009
- (2) To be coupled together with Fig. 4 - 0730 061 816
- (3) To be coupled together with Fig. 4 - 0730 062 579
- (5) Only for input Shaft 1295 202 025 - 1297 202 009
- (6) Old Type. Old Syncro Ring Ø 175.5 mm ( Z 57 or 30 ) - Standard Syncro Ring Ø 192 mm ( Z 63 or 54 ) Use items marked (6) together

## Date

03 / 2006

## Table

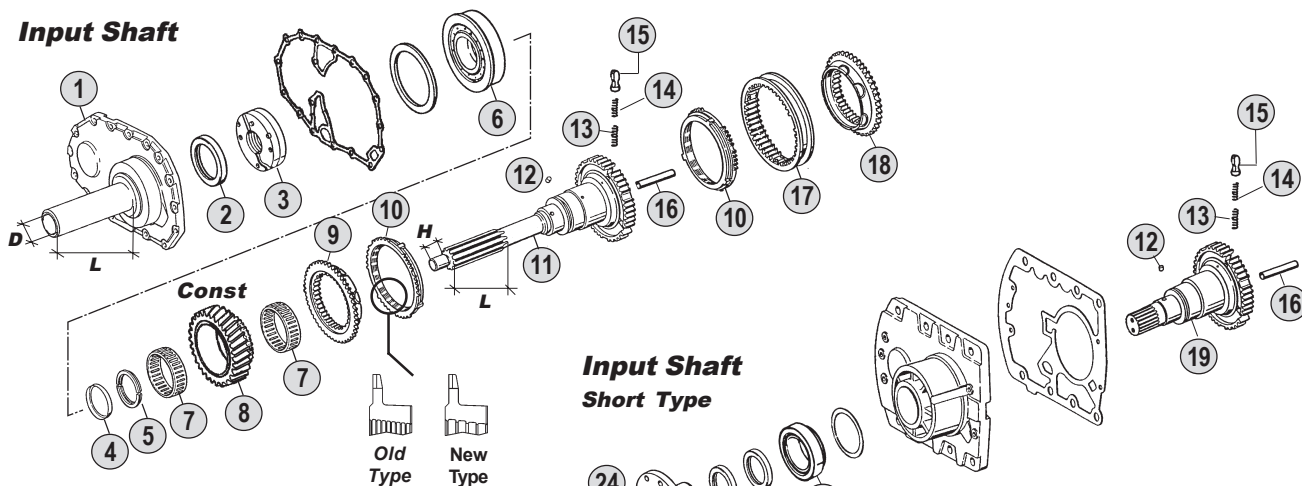
009 / A

All original equipment manufacturers numbers, symbols, pictures, models and description used in this catalogue are for reference only, and it is not implied that any part listed is the product of these manufactures. Tutti i nostri particolari non sono originali ma con essi intercambiabili. I riferimenti originali, le figure, i modelli sono esposti a semplice titolo indicativo. La nostra produzione riporta il nostro marchio.

Suitable To : **ZF**

**16S130 - 16S160 - 16S190**

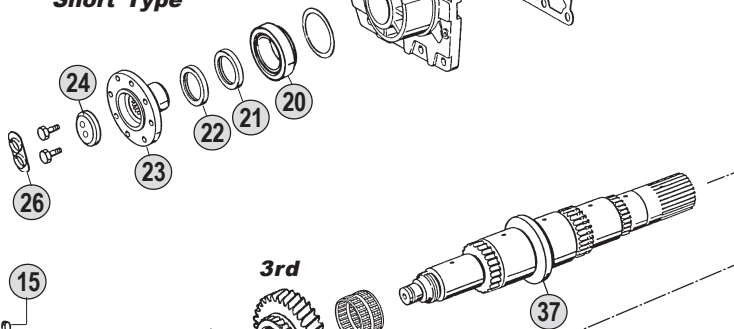
**Input Shaft**



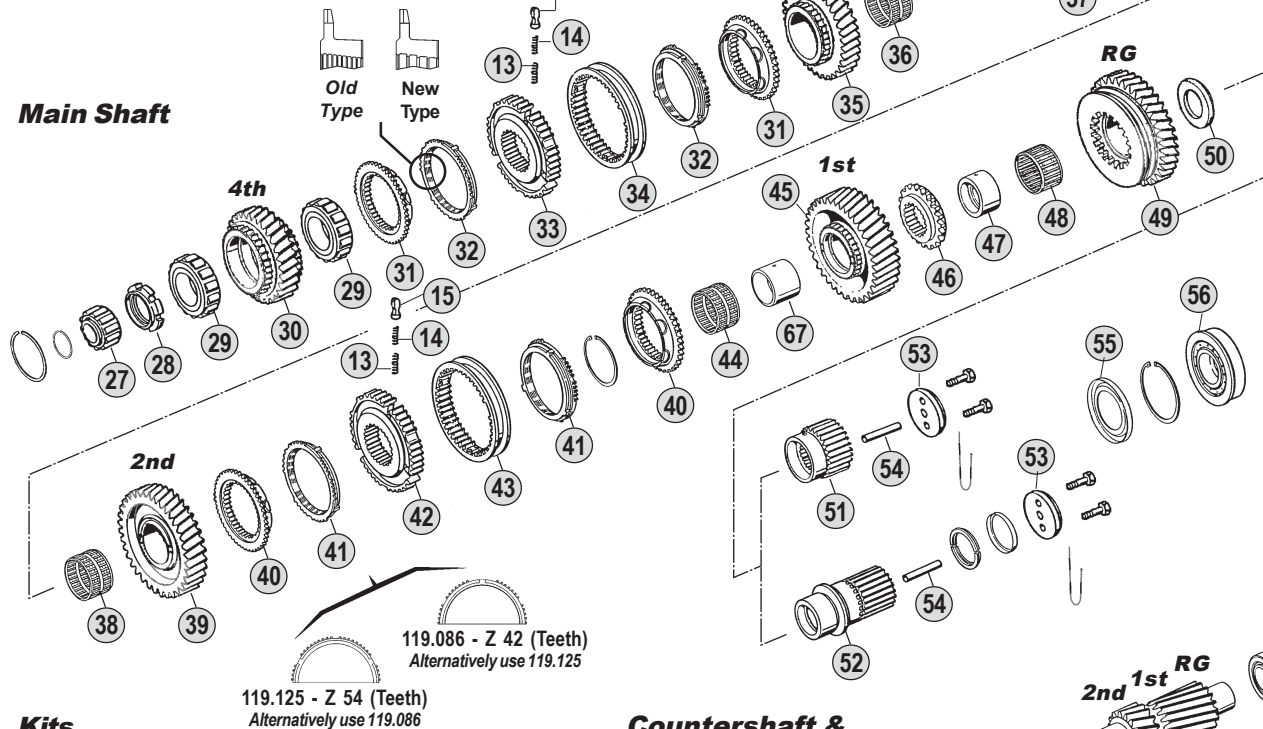
**Springs & Slides Kits**

|               |               |               |
|---------------|---------------|---------------|
| x 3           | x 6           | x 9           |
| x 3           | x 6           | x 9           |
| x 3           | x 6           | x 9           |
| <b>Kit 68</b> | <b>Kit 69</b> | <b>Kit 70</b> |

**Input Shaft Short Type**



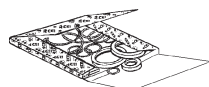
**Main Shaft**



**Kits**

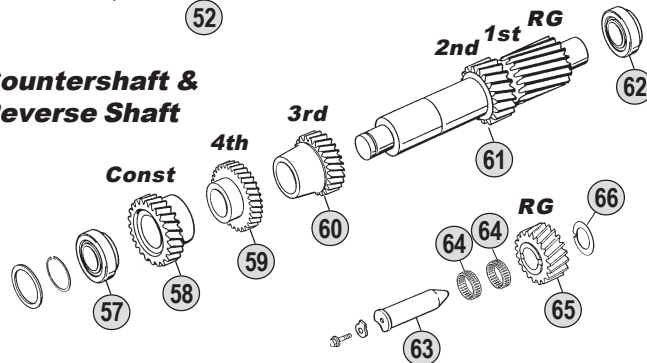


**Gasket Kit 72**



**Oil Seal Kit 71**

**Countershaft & Reverse Shaft**



**Ratios**

|               |                  |                  |                  |                  |                  |
|---------------|------------------|------------------|------------------|------------------|------------------|
| <b>16S130</b> | A : 10,14 - 0,72 | B : 11,46 - 0,85 | C : 13,68 - 1,00 | D : 14,29 - 0,82 | E : --           |
| <b>16S160</b> | A : --           | B : 11,46 - 0,85 | C : 13,68 - 1,00 | D : 14,29 - 0,82 | E : 17,06 - 1,00 |
| <b>16S190</b> | A : --           | B : 11,46 - 0,85 | C : 13,68 - 1,00 | D : 14,29 - 0,82 | E : 17,06 - 1,00 |



All original equipment manufacturers' numbers, symbols, pictures, models and description used in this catalogue are for reference only, and it is not implied that any part listed is the product of these manufactures. Tutti i nostri particolari non sono originali ma con essi intercambiabili. I riferimenti originali, le figure, i modelli sono esposti a semplice titolo indicativo. La nostra produzione riporta il nostro marchio.

16S130 (1286)  
16S160 (1297)  
16S190 (1297)

| Fig. | O.E.M. Reference |              | Description | Q.ty                        | Note | Ratio     |           |               |               |               |  |  |
|------|------------------|--------------|-------------|-----------------------------|------|-----------|-----------|---------------|---------------|---------------|--|--|
|      | CEI no.          | ZF no.       |             |                             |      |           | IVECO no. | 16S130 (1286) | 16S160 (1297) | 16S190 (1297) |  |  |
| 22   |                  | 0734 300 140 | 42493153    | Oil Seal 70x90x10           | 1    |           | ●         | ●             | ●             |               |  |  |
| 23   | 155.135          | 1286 304 026 | 7982145     | Drive Flange                | 1    | D.150-8H. | ●         | ●             | ●             |               |  |  |
| 23   |                  | 1297 302 171 |             | Drive Flange                | 1    | D.150-8H. |           |               | ●             |               |  |  |
| 24   | 188.078          | 1269 302 065 | 9985488     | Stop Washer                 | 1    |           | ●         | ●             | ●             |               |  |  |
| 26   |                  | 1269 302 164 | 73140828    | Stop Washer                 | 1    |           | ●         | ●             | ●             |               |  |  |
| 27   | 137.081          | 0750 118 010 | 7982096     | Roller Cage D.30x60x25,50   | 1    |           | ●         |               |               |               |  |  |
| 27   | 137.113          | 0750 118 038 | 7982073     | Roller Cage D.35x68x27,50   | 1    |           |           | ●             | ●             |               |  |  |
| 28   | 187.412          | 0737 502 092 | 7982081     | Grooved Nut M60x1,5         | 1    |           | ●         | ●             | ●             |               |  |  |
| 29   | 137.083          | 0750 118 005 | 7982094     | Roller Cage D.63x97,5x34,80 | 2    |           | ●         |               |               |               |  |  |
| 29   | 137.157          | 0750 118 220 | 93157137    | Roller Cage D.63x97,5x37,50 | 2    |           |           | ●             | ●             |               |  |  |
| 30   | 146.212          | 1295 304 135 | 8123547     | Gear 4th Speed 30 T         | 1    |           | ●         |               |               |               |  |  |
| 30   | 146.356          | 1295 304 136 | 7982170     | Gear 4th Speed 28 T         | 1    |           |           | ●             |               |               |  |  |
| 30   | 146.454          | 1295 304 236 | 93157447    | Gear 4th Speed 26 T         | 1    |           | ●         |               |               |               |  |  |
| 30   | 146.384          | 1297 304 267 | 42492495    | Gear 4th Speed 28 T         | 1    |           |           | ●             | ●             |               |  |  |
| 30   | 146.318          | 1297 304 260 | 8190720     | Gear 4th Speed 30 T         | 1    |           |           | ●             | ●             |               |  |  |
| 30   | 146.315          | 1297 304 318 | 93157144    | Gear 4th Speed 26 T         | 1    |           |           | ●             | ●             |               |  |  |
| 30   | 146.294          | 1297 304 413 | 8198814     | Gear 4th Speed 29 T         | 1    |           |           | ●             | ●             |               |  |  |
| 31   | 109.072          | 1295 304 278 | 7982177     | Synchronizer Cone           | 2    |           | ●         | ●             | ●             |               |  |  |
| 32   | 119.084          | 1295 304 004 | 7982165     | Synchronizer Ring           | 2    | Old Type  | ●         | ●             | ●             |               |  |  |
| 32   | 119.175          | 1304 304 686 | 42536530    | Synchronizer Ring           | 2    | New Type  | ●         | ●             | ●             |               |  |  |
| 33   | 157.110          | 1297 304 031 | 7982257     | Synchronizer Hub            | 1    |           | ●         | ●             | ●             |               |  |  |
| 34   | 154.097          | 1295 304 002 | 7982164     | Sliding Sleeve              | 1    |           | ●         | ●             | ●             |               |  |  |
| 35   |                  | 1295 304 269 |             | Gear 3rd Speed 25 T         | 1    |           | ●         |               |               |               |  |  |
| 35   | 145.495          | 1295 304 127 | 7982168     | Gear 3rd Speed 32 T         | 1    |           |           | ●             |               |               |  |  |
| 35   | 145.277          | 1295 304 128 | 8123548     | Gear 3rd Speed 34 T         | 1    |           | ●         |               |               |               |  |  |
| 35   | 145.470          | 1297 304 266 | 42492494    | Gear 3rd Speed 32 T         | 1    |           |           | ●             | ●             |               |  |  |
| 35   | 145.450          | 1297 304 261 | 8190719     | Gear 3rd Speed 34 T         | 1    |           |           | ●             | ●             |               |  |  |
| 35   | 145.377          | 1297 304 414 | 8198809     | Gear 3rd Speed 34 T         | 1    |           |           | ●             | ●             |               |  |  |
| 36   | 137.084          | 0735 320 418 | 42492514    | Needle Cage D.82x90x49      | 1    |           | ●         |               |               |               |  |  |
| 36   | 137.112          | 0735 320 451 | 7982067     | Needle Cage D.82x90x60      | 1    |           |           | ●             | ●             |               |  |  |
| 37   |                  | 1295 304 273 | 194473      | Main Shaft                  | 1    |           | ●         |               |               |               |  |  |
| 37   | 103.075          | 1295 304 245 | 7982175     | Main Shaft                  | 1    |           | ●         |               |               |               |  |  |
| 37   | 103.140          | 1295 304 250 | 93157446    | Main Shaft                  | 1    |           | ●         |               |               |               |  |  |
| 37   | 103.132          | 1297 304 181 | 7982265     | Main Shaft                  | 1    |           |           | ●             | ●             |               |  |  |
| 37   | 103.098          | 1297 304 193 | 8198801     | Main Shaft                  | 1    |           |           | ●             | ●             |               |  |  |
| 38   | 137.112          | 0735 320 451 | 7982067     | Needle Cage D.82x90x60      | 1    |           | ●         |               |               |               |  |  |
| 38   | 137.084          | 0735 320 418 | 42492514    | Needle Cage D.82x90x49      | 1    |           | ●         |               |               |               |  |  |
| 38   | 137.109          | 0735 320 452 | 7982068     | Needle Cage D.82x90x55      | 1    |           |           | ●             | ●             |               |  |  |
| 39   |                  | 1295 304 271 |             | Gear 2nd Speed 34 T         | 1    |           | ●         |               |               |               |  |  |
| 39   | 145.501          | 1295 304 120 | 7982167     | Gear 2nd Speed 37 T         | 1    |           | ●         |               |               |               |  |  |
| 39   | 145.278          | 1295 304 121 | 8123549     | Gear 2nd Speed 38 T         | 1    |           | ●         |               |               |               |  |  |
| 39   | 145.500          | 1297 304 269 | 42492493    | Gear 2nd Speed 37 T         | 1    |           |           | ●             | ●             |               |  |  |
| 39   | 145.375          | 1297 304 442 | 93156030    | Gear 2nd Speed 38 T         | 1    |           |           | ●             | ●             |               |  |  |
| 40   | 109.074          | 1297 304 196 | 7982268     | Synchronizer Cone           | 2    |           | ●         | ●             | ●             |               |  |  |
| 40   | 109.072          | 1295 304 278 | 7982177     | Synchronizer Cone           | 2    | (6)       | ●         |               |               |               |  |  |

## Notes

- (1) Only for input Shaft 1295 221 003 - 1297 221 009
- (2) To be coupled together with Fig. 4 - 0730 061 816
- (3) To be coupled together with Fig. 4 - 0730 062 579
- (5) Only for input Shaft 1295 202 025 - 1297 202 009
- (6) Old Type. Old Syncro Ring Ø 175.5 mm ( Z 57 or 30 ) - Standard Syncro Ring Ø 192 mm ( Z 63 or 54 ) Use items marked (6) together

## Date

03 / 2006

## Table

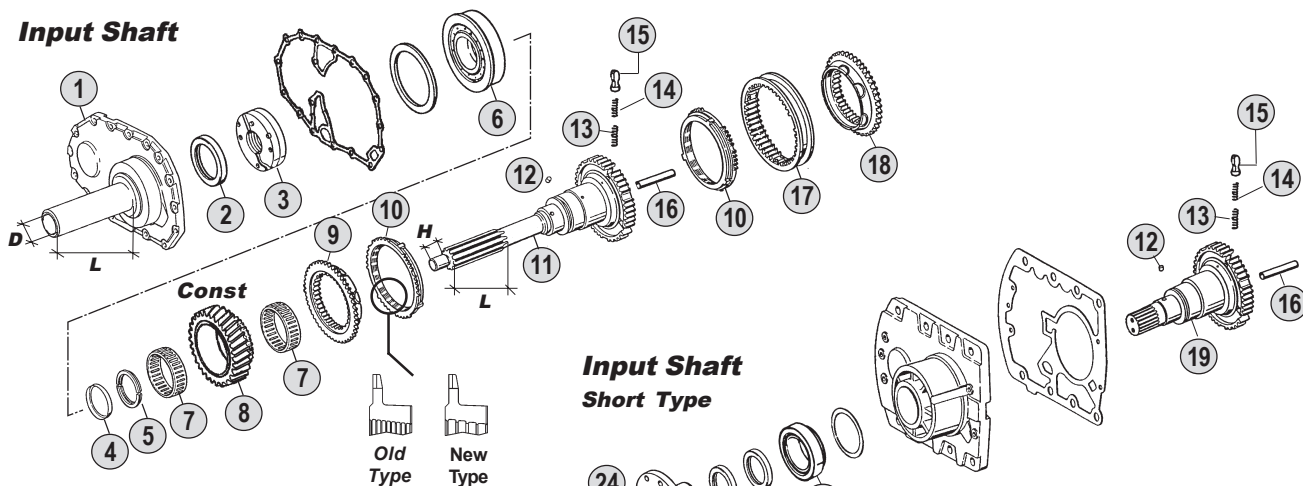
009 / A



Suitable To : **ZF**

**16S130 - 16S160 - 16S190**

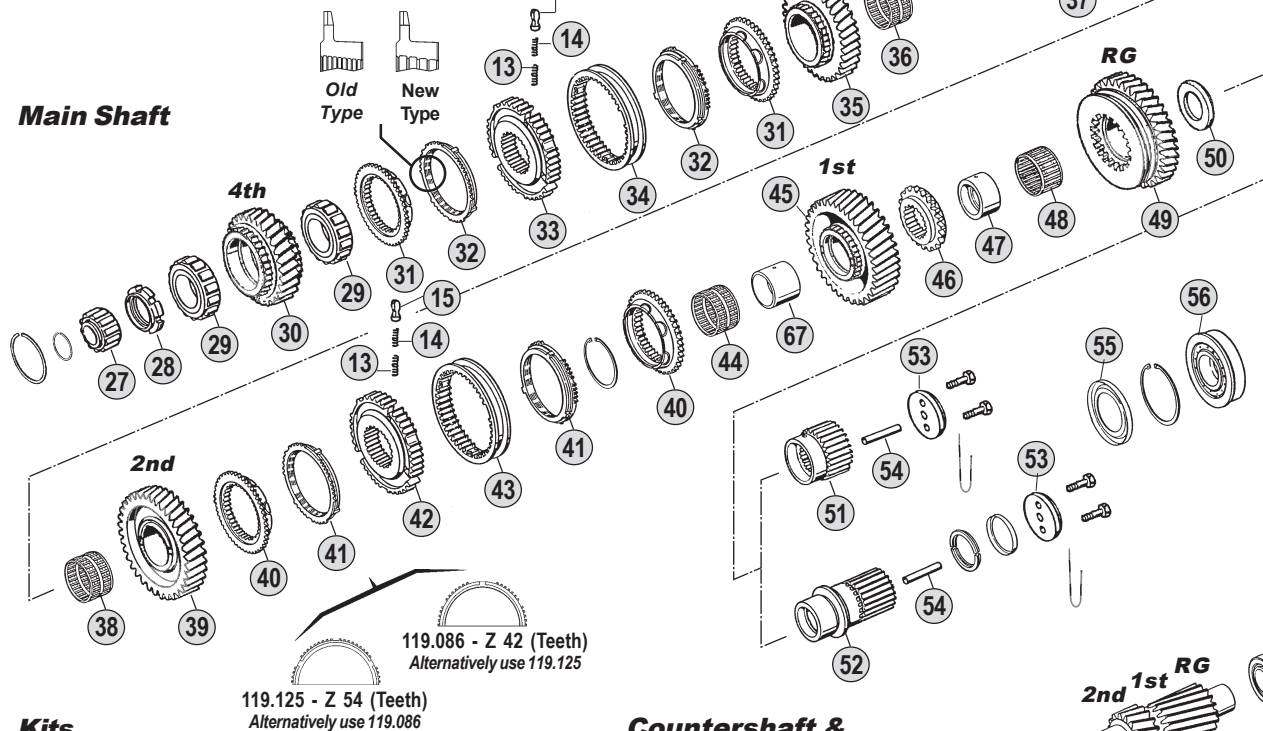
**Input Shaft**



**Springs & Slides Kits**

|               |               |               |
|---------------|---------------|---------------|
| x 3           | x 6           | x 9           |
| x 3           | x 6           | x 9           |
| x 3           | x 6           | x 9           |
| <b>Kit 68</b> | <b>Kit 69</b> | <b>Kit 70</b> |

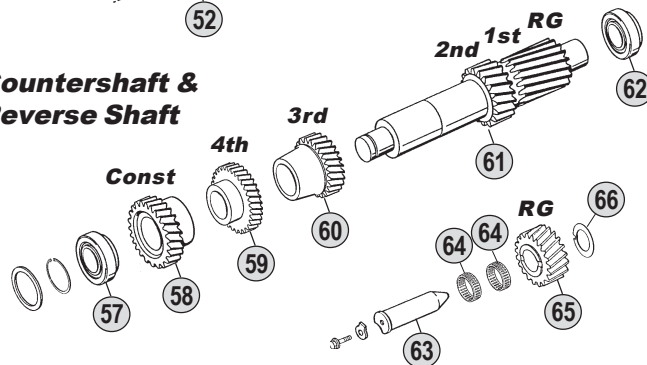
**Main Shaft**



**Kits**



**Countershaft & Reverse Shaft**



**Ratios**

|               |                  |                  |                  |                  |                  |
|---------------|------------------|------------------|------------------|------------------|------------------|
| <b>16S130</b> | A : 10,14 - 0,72 | B : 11,46 - 0,85 | C : 13,68 - 1,00 | D : 14,29 - 0,82 | E : --           |
| <b>16S160</b> | A : --           | B : 11,46 - 0,85 | C : 13,68 - 1,00 | D : 14,29 - 0,82 | E : 17,06 - 1,00 |
| <b>16S190</b> | A : --           | B : 11,46 - 0,85 | C : 13,68 - 1,00 | D : 14,29 - 0,82 | E : 17,06 - 1,00 |



All original equipment manufacturers' numbers, symbols, pictures, models and description used in this catalogue are for reference only, and it is not implied that any part listed is the product of these manufactures. Tutti i nostri particolari non sono originali ma con essi intercambiabili. I riferimenti originali, le figure, i modelli sono esposti a semplice titolo indicativo. La nostra produzione riporta il nostro marchio.

| Fig. | O.E.M. Reference |              | Description | Q.ty                         | Note | Ratio                   |           |               |               |               |  |  |
|------|------------------|--------------|-------------|------------------------------|------|-------------------------|-----------|---------------|---------------|---------------|--|--|
|      | CEI no.          | ZF no.       |             |                              |      |                         | IVECO no. | 16S130 (1286) | 16S160 (1297) | 16S190 (1297) |  |  |
| 41   | 119.125          | 1296 304 135 | 93191133    | Synchronizer Ring            | 2    | Z 54 - Alt. use 119.086 | ●         | ●             | ●             |               |  |  |
| 41   | 119.086          | 1246 304 278 | 7982106     | Synchronizer Ring 42 T       | 2    | Z 42 - Alt. use 119.125 | ●         | ●             | ●             |               |  |  |
| 41   | 119.084          | 1295 304 004 | 7982165     | Synchronizer Ring            | 2    | (6)                     | ●         |               |               |               |  |  |
| 42   | 157.111          | 1297 304 195 | 7982267     | Synchronizer Hub             | 1    |                         | ●         | ●             | ●             |               |  |  |
| 42   | 157.110          | 1297 304 031 | 7982257     | Synchronizer Hub             | 1    | (6)                     | ●         |               |               |               |  |  |
| 43   | 154.051          | 1257 304 020 | 2964159     | Sliding Sleeve 1st-2nd Speed | 1    |                         | ●         | ●             | ●             |               |  |  |
| 43   | 154.097          | 1295 304 002 | 7982164     | Sliding Sleeve               | 1    | (6)                     | ●         |               |               |               |  |  |
| 44   | 137.159          | 0735 320 548 |             | Needle Cage D.70x78x46       | 1    | A                       | ●         |               |               |               |  |  |
| 44   | 137.085          | 0735 320 496 | 7982071     | Needle Cage D.70x78x55       | 1    | BCD                     | ●         |               |               |               |  |  |
| 44   | 137.110          | 0735 320 487 | 42492253    | Needle Cage D.82x90x68       | 1    |                         |           | ●             | ●             |               |  |  |
| 45   |                  | 1295 304 270 |             | Gear 1st Speed 41 T          | 1    | A                       | ●         |               |               |               |  |  |
| 45   | 145.506          | 1295 304 203 | 7982172     | Gear 1st Speed 44 T          | 1    | BD                      | ●         |               |               |               |  |  |
| 45   | 145.279          | 1295 304 202 | 8123550     | Gear 1st Speed 47 T          | 1    | C                       | ●         |               |               |               |  |  |
| 45   | 145.507          | 1297 304 270 | 42492497    | Gear 1st Speed 44 T          | 1    | BD                      |           | ●             | ●             |               |  |  |
| 45   | 145.376          | 1297 304 441 | 93156031    | Gear 1st Speed 47 T          | 1    | CE                      |           | ●             | ●             |               |  |  |
| 46   | 109.184          | 1295 304 024 |             | Engaging Ring                | 1    | A                       | ●         |               |               |               |  |  |
| 46   | 109.075          | 1295 304 206 | 7982173     | Engaging Ring                | 1    | BCD                     | ●         |               |               |               |  |  |
| 46   | 109.178          | 1297 304 154 | 7982263     | Engaging Ring                | 1    |                         |           | ●             | ●             |               |  |  |
| 47   | 117.203          | 1295 304 012 | 7982166     | Bush D.60x75x38              | 1    | ABC                     | ●         |               |               |               |  |  |
| 47   | 117.318          | 1297 304 034 | 42492291    | Bush                         | 1    | BC                      |           | ●             | ●             |               |  |  |
| 48   | 137.086          | 0750 115 059 | 7982087     | Needle Cage D.75x83x40       | 1    |                         | ●         |               |               |               |  |  |
| 48   | 137.111          | 0735 320 486 | 7982069     | Needle Cage D.78x86x44       | 1    |                         |           | ●             | ●             |               |  |  |
| 49   |                  | 1295 304 272 |             | Reverse Gear 39 T            | 1    | A                       | ●         |               |               |               |  |  |
| 49   | 147.138          | 1295 304 201 | 7982171     | Reverse Gear 39 T            | 1    | BD                      | ●         |               |               |               |  |  |
| 49   | 147.093          | 1295 304 200 | 8123551     | Reverse Gear 38 T            | 1    | C                       | ●         |               |               |               |  |  |
| 49   | 147.109          | 1297 304 149 | 42492496    | Reverse Gear 39 T            | 1    | BD                      |           | ●             | ●             |               |  |  |
| 49   | 147.140          | 1297 304 148 | 42492294    | Reverse Gear 38 T            | 1    | CE                      |           | ●             | ●             |               |  |  |
| 50   | 169.409          | 1295 304 240 | 7982174     | Thrust Washer                | 1    | ABC                     | ●         |               |               |               |  |  |
| 50   | 169.757          | 1297 304 381 | 93155824    | Thrust Washer                | 1    | BC                      |           | ●             | ●             |               |  |  |
| 51   | 157.112          | 1295 304 248 | 7982176     | Sun Gear 27 T                | 1    | ABC                     | ●         |               |               |               |  |  |
| 51   | 157.177          | 1297 304 187 | 7982266     | Sun Gear 27 T                | 1    | BC                      |           | ●             | ●             |               |  |  |
| 52   | 157.207          | 1295 304 251 | 93157448    | Sun Gear 24 T                | 1    | D                       | ●         |               |               |               |  |  |
| 52   | 157.198          | 1297 304 439 | 8198815     | Sun Gear 24 T                | 1    | DE                      |           | ●             | ●             |               |  |  |
| 53   | 188.076          | 1272 304 021 | 42480849    | Stop Washer                  | 1    |                         | ●         | ●             | ●             |               |  |  |
| 54   |                  | 0730 061 842 | 2980534     | Oil Tube                     | 1    |                         | ●         | ●             | ●             |               |  |  |
| 55   |                  | 1295 304 129 | 7982169     | Oil Collector                | 1    | ABC                     | ●         |               |               |               |  |  |
| 55   |                  | 1297 301 004 | 7982244     | Oil Collector                | 1    | D                       | ●         |               |               |               |  |  |
| 55   |                  | 1297 301 004 | 7982244     | Oil Collector                | 1    |                         |           | ●             | ●             |               |  |  |
| 56   | 130.240          | 0750 118 153 | 8196977     | Bearing D.60x130x31          | 1    | ABC                     | ●         |               |               |               |  |  |
| 56   |                  | 0750 118 137 | 1905150     | Bearing D.80x140x26          | 1    | D                       | ●         |               |               |               |  |  |
| 56   | 130.702          | 0750 118 006 | 7982095     | Bearing D.65x140x33          | 1    | BC                      |           | ●             | ●             |               |  |  |
| 56   | 130.703          | 0750 118 180 | 1905030     | Bearing D.80x140x33          | 1    | DE                      |           | ●             | ●             |               |  |  |
| 57   | 130.242          | 0750 117 010 | 42492259    | Bearing D.50,80x100x35       | 1    |                         | ●         | ●             | ●             |               |  |  |
| 58   | 146.210          | 1295 303 101 | 42532351    | Constant Gear 34 T           | 1    | AC                      | ●         |               |               |               |  |  |
| 58   | 146.354          | 1295 303 036 | 42492571    | Constant Gear 31 T           | 1    | B                       | ●         |               |               |               |  |  |

## Notes

- (1) Only for input Shaft 1295 221 003 - 1297 221 009
- (2) To be coupled together with Fig. 4 - 0730 061 816
- (3) To be coupled together with Fig. 4 - 0730 062 579
- (5) Only for input Shaft 1295 202 025 - 1297 202 009
- (6) Old Type. Old Syncro Ring Ø 175.5 mm ( Z 57 or 30 ) - Standard Syncro Ring Ø 192 mm ( Z 63 or 54 ) Use items marked (6) together

## Date

03 / 2006

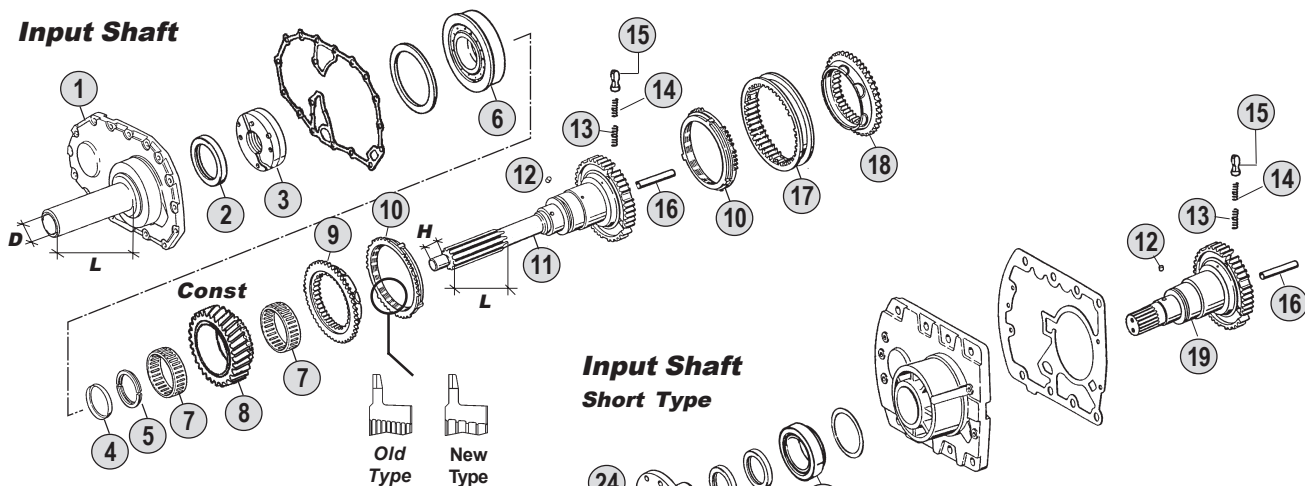
## Table

009 / A

Suitable To : **ZF**

**16S130 - 16S160 - 16S190**

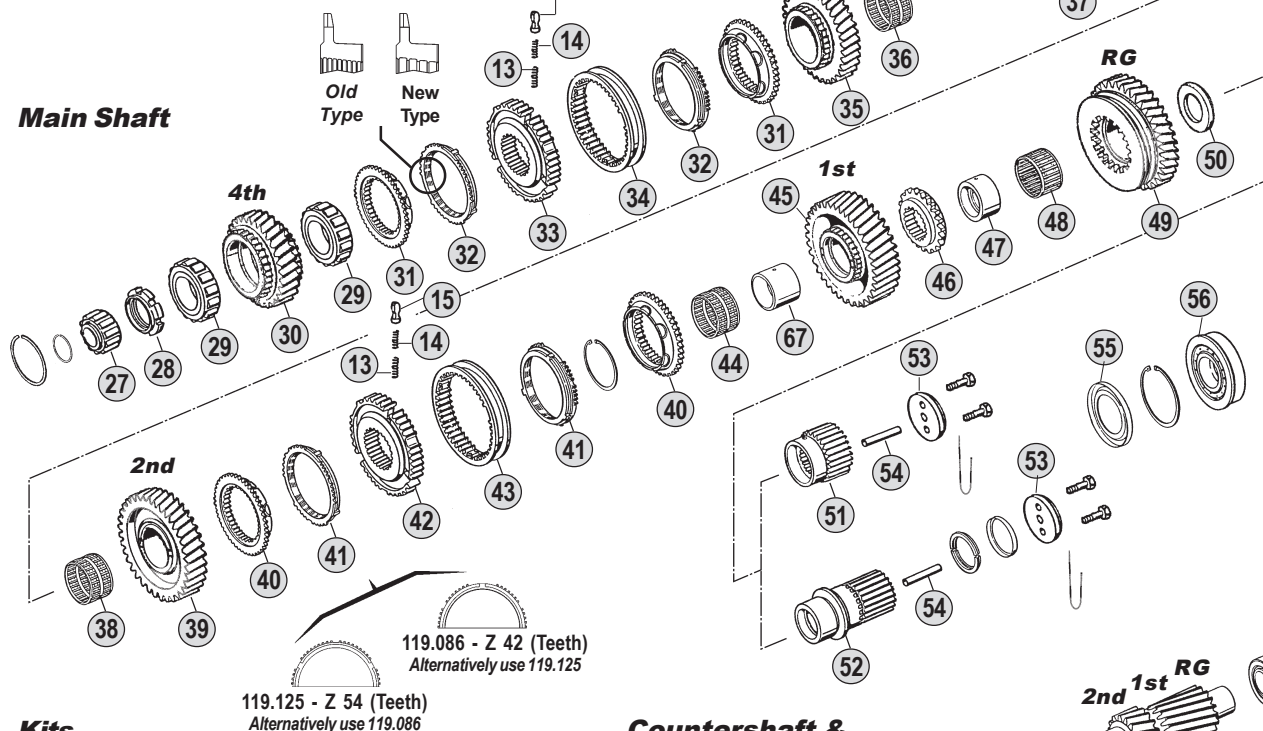
**Input Shaft**



**Springs & Slides Kits**

|               |               |               |
|---------------|---------------|---------------|
| x 3           | x 6           | x 9           |
| x 3           | x 6           | x 9           |
| x 3           | x 6           | x 9           |
| <b>Kit 68</b> | <b>Kit 69</b> | <b>Kit 70</b> |

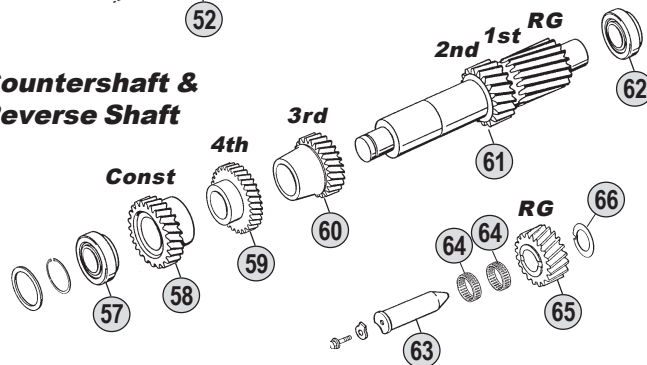
**Main Shaft**



**Kits**



**Countershaft & Reverse Shaft**



**Ratios**

|               |                |                  |                  |                  |                |
|---------------|----------------|------------------|------------------|------------------|----------------|
| <b>16S130</b> | A : 10,14-0,72 | B : 11,46 - 0,85 | C : 13,68 - 1,00 | D : 14,29 - 0,82 | E : --         |
| <b>16S160</b> | A : --         | B : 11,46 - 0,85 | C : 13,68 - 1,00 | D : 14,29 - 0,82 | E : 17,06-1,00 |
| <b>16S190</b> | A : --         | B : 11,46 - 0,85 | C : 13,68 - 1,00 | D : 14,29 - 0,82 | E : 17,06-1,00 |



All original equipment manufacturers' numbers, symbols, pictures, models and description used in this catalogue are for reference only, and it is not implied that any part listed is the product of these manufactures. Tutti i nostri particolari non sono originali ma con essi intercambiabili. I riferimenti originali, le figure, i modelli sono esposti a semplice titolo indicativo. La nostra produzione riporta il nostro marchio.

16S130 (1286)  
16S160 (1297)  
16S190 (1297)

| Fig. | CEI no.        | O.E.M. Reference |           | Description               | Q.ty | Note | Ratio |               |               |               |  |  |  |
|------|----------------|------------------|-----------|---------------------------|------|------|-------|---------------|---------------|---------------|--|--|--|
|      |                | ZF no.           | IVECO no. |                           |      |      |       | 16S130 (1286) | 16S160 (1297) | 16S190 (1297) |  |  |  |
| 58   | 146.457        | 1295 303 060     | 95157444  | Constant Gear 32 T        | 1    |      | D     | ●             |               |               |  |  |  |
| 58   | <b>146.383</b> | 1297 303 074     | 93158425  | Constant Gear 31 T        | 1    |      | B     |               | ●             | ●             |  |  |  |
| 58   | <b>146.322</b> | 1297 303 066     | 8190715   | Constant Gear 34 T        | 1    |      | C     |               | ●             | ●             |  |  |  |
| 58   | <b>146.319</b> | 1297 303 098     | 93157141  | Constant Gear 32 T        | 1    |      | D     |               | ●             | ●             |  |  |  |
| 58   | <b>146.321</b> | 1297 303 086     | 8198799   | Constant Gear 35 T        | 1    |      | E     |               | ●             | ●             |  |  |  |
| 59   | <b>146.209</b> | 1295 303 027     | 8123587   | Gear 4th Speed 31 T       | 1    |      | AC    | ●             |               |               |  |  |  |
| 59   | 146.413        | 1295 303 028     | 7982161   | Gear 4th Speed 34 T       | 1    |      | B     | ●             |               |               |  |  |  |
| 59   | 146.461        | 1295 303 094     | 93157445  | Gear 4th Speed 35 T       | 1    |      | D     | ●             |               |               |  |  |  |
| 59   | <b>146.382</b> | 1297 303 072     | 93158425  | Gear 4th Speed 34 T       | 1    |      | B     |               | ●             | ●             |  |  |  |
| 59   | <b>146.381</b> | 1297 303 065     | 8190716   | Gear 4th Speed 31 T       | 1    |      | C     |               | ●             | ●             |  |  |  |
| 59   | <b>146.415</b> | 1297 303 097     | 42531627  | Gear 4th Speed 35 T       | 1    |      | D     |               | ●             | ●             |  |  |  |
| 59   | <b>146.416</b> | 1297 303 123     | 8198800   | Gear 4th Speed 32 T       | 1    |      | E     |               | ●             | ●             |  |  |  |
| 60   |                | 1295 303 071     | 194470    | Gear 3rd Speed 36 T       | 1    |      | A     | ●             |               |               |  |  |  |
| 60   | 146.355        | 1295 303 025     | 7982160   | Gear 3rd Speed 28 T       | 1    |      | BD    | ●             |               |               |  |  |  |
| 60   | <b>146.211</b> | 1295 303 026     | 8123588   | Gear 3rd Speed 25 T       | 1    |      | C     | ●             |               |               |  |  |  |
| 60   | <b>146.357</b> | 1297 303 073     | 7982250   | Gear 3rd Speed 28 T       | 1    |      | BD    |               | ●             | ●             |  |  |  |
| 60   | <b>146.421</b> | 1297 303 067     | 8190714   | Gear 3rd Speed 25 T       | 1    |      | C     |               | ●             | ●             |  |  |  |
| 60   | <b>146.422</b> | 1297 303 132     | 8198798   | Gear 3rd Speed 26 T       | 1    |      | E     |               | ●             | ●             |  |  |  |
| 61   |                | 1295 303 072     | 194467    | Countershaft              | 1    |      | A     | ●             |               |               |  |  |  |
| 61   | 105.119        | 1295 303 067     | 7982163   | Countershaft 19-23 T      | 1    |      | BD    | ●             |               |               |  |  |  |
| 61   | <b>105.060</b> | 1295 303 066     | 8123589   | Countershaft 17-20 T      | 1    |      | C     | ●             |               |               |  |  |  |
| 61   | <b>105.092</b> | 1297 303 075     | 7982253   | Countershaft 19-23 T      | 1    |      | BD    |               | ●             | ●             |  |  |  |
| 61   | <b>105.093</b> | 1297 303 140     | 8198794   | Countershaft 17-20 T      | 1    |      | CE    |               | ●             | ●             |  |  |  |
| 62   | 130.243        | 0750 117 008     | 42492517  | Bearing D.50x110x42       | 1    |      |       | ●             |               |               |  |  |  |
| 62   | <b>130.308</b> | 0750 117 009     | 7982090   | Bearing D.49,2x103,1x43,6 | 1    |      |       |               | ●             | ●             |  |  |  |
| 63   | 107.108        | 1295 305 056     | 8121930   | Reverse Gear Pin          | 1    |      |       | ●             | ●             | ●             |  |  |  |
| 64   | <b>137.007</b> | 0750 115 011     | 7982086   | Needle Cage D.45x53x21    | 2    |      |       | ●             | ●             | ●             |  |  |  |
| 65   | 147.153        | 1297 305 003     |           | Reverse Gear 21 T         | 1    |      | A     | ●             |               |               |  |  |  |
| 65   | 147.133        | 1295 305 051     | 42492574  | Reverse Gear 21 T         | 1    |      | BD    | ●             |               |               |  |  |  |
| 65   | 147.094        | 1295 305 052     | 42492275  | Reverse Gear 24 T         | 1    |      | C     | ●             |               |               |  |  |  |
| 65   | 147.133        | 1295 305 051     | 42492574  | Reverse Gear 21 T         | 1    |      | BD    |               | ●             | ●             |  |  |  |
| 65   | 147.094        | 1295 305 052     | 42492275  | Reverse Gear 24 T         | 1    |      | CE    |               | ●             | ●             |  |  |  |
| 66   | 169.234        | 0730 150 064     | 1274314   | Thrust Washer             | 1    |      |       | ●             | ●             | ●             |  |  |  |
| 67   | 117.246        | 1297 304 035     | 7982259   | Bush                      | 1    |      |       |               | ●             | ●             |  |  |  |
| 68   | <b>198.339</b> | 1268 298 938     |           | Spring Slide Set          | 1    |      |       | ●             | ●             | ●             |  |  |  |
| 69   | <b>198.564</b> | CEI 198564       |           | Spring Slide Set          | 1    |      |       | ●             | ●             | ●             |  |  |  |
| 70   | <b>198.842</b> | 1295 298 933     |           | Spring Slide Set          | 1    |      |       | ●             | ●             | ●             |  |  |  |
| 71   | <b>198.428</b> | 1295 298 960     | 8124710   | Oil Seal Ring Kit         | 1    |      |       | ●             | ●             | ●             |  |  |  |
| 72   | <b>198.427</b> | 1295 298 915     | 8124709   | Gasket Kit                | 1    |      |       | ●             | ●             | ●             |  |  |  |

ECO I

From 16S130  
To 16S190

## Notes

- (1) Only for input Shaft 1295 221 003 - 1297 221 009
- (2) To be coupled together with Fig. 4 - 0730 061 816
- (3) To be coupled together with Fig. 4 - 0730 062 579
- (5) Only for input Shaft 1295 202 025 - 1297 202 009
- (6) Old Type. Old Syncro Ring Ø 175.5 mm ( Z 57 or 30) - Standard Syncro Ring Ø 192 mm (Z 63 or 54) Use items marked (6) together

## Date

03 / 2006

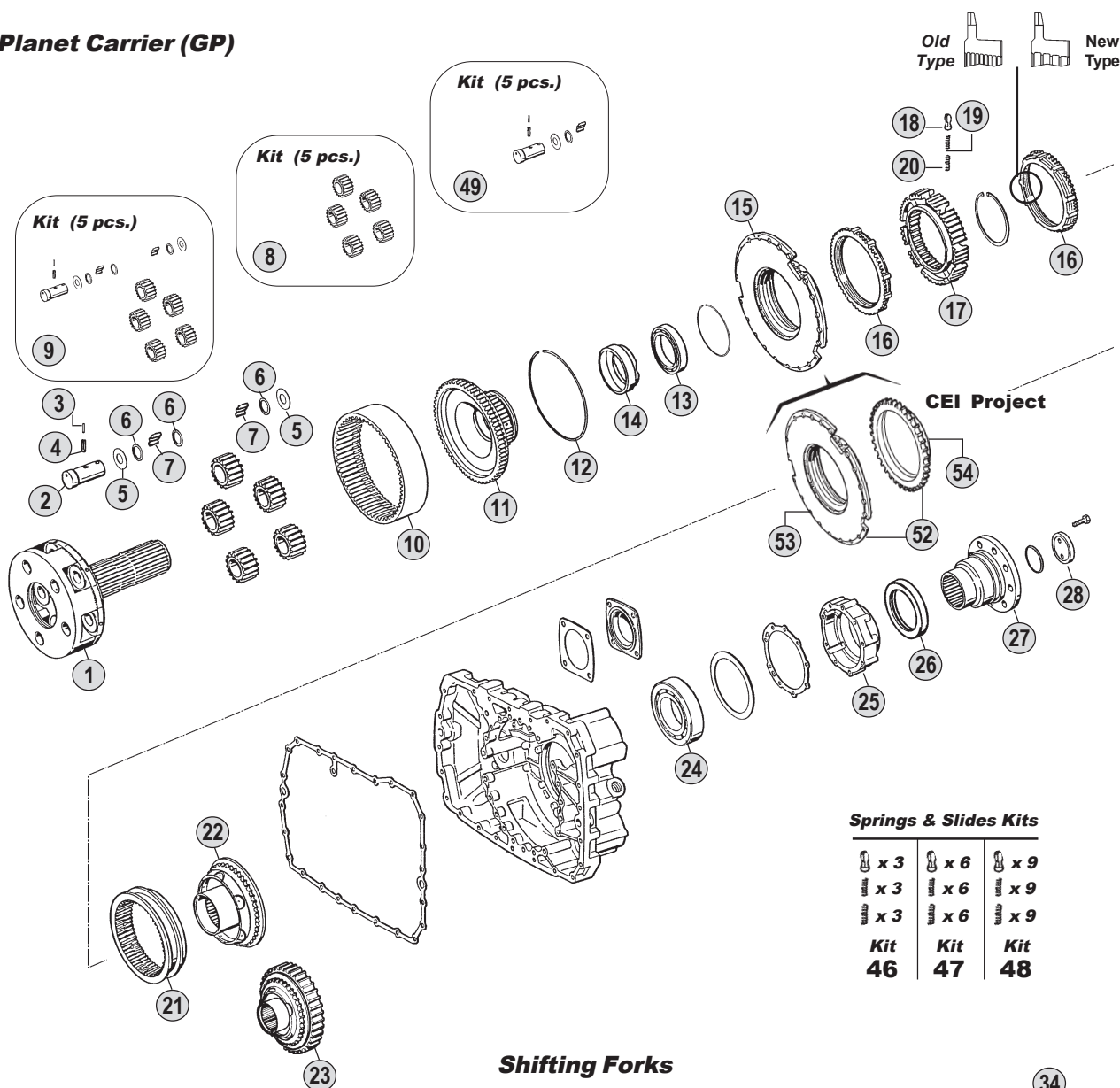
## Table

009 / A

Suitable To : **ZF**

**16S130 - 16S160 - 16S190**

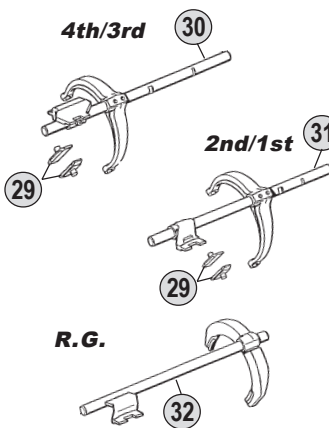
**Planet Carrier (GP)**



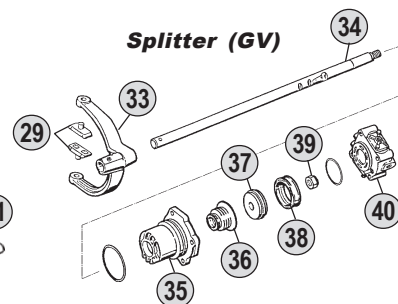
**Springs & Slides Kits**

|               |               |               |
|---------------|---------------|---------------|
| x 3           | x 6           | x 9           |
| x 3           | x 6           | x 9           |
| x 3           | x 6           | x 9           |
| <b>Kit 46</b> | <b>Kit 47</b> | <b>Kit 48</b> |

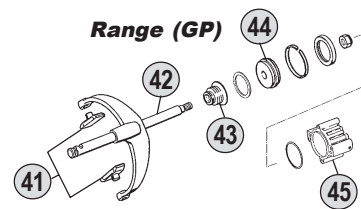
**Shifting Forks**



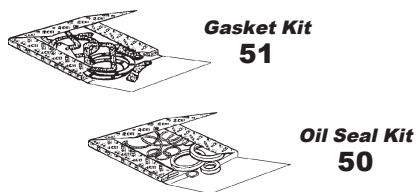
**Splitter (GV)**



**Range (GP)**



**Kits**



**Ratios**

|               |               |                  |                  |                  |              |
|---------------|---------------|------------------|------------------|------------------|--------------|
| <b>16S130</b> | A :10,14-0,72 | B : 11,46 - 0,85 | C : 13,68 - 1,00 | D : 14,29 - 0,82 | E:--         |
| <b>16S160</b> | A :--         | B : 11,46 - 0,85 | C : 13,68 - 1,00 | D : 14,29 - 0,82 | E:17,06-1,00 |
| <b>16S190</b> | A :--         | B : 11,46 - 0,85 | C : 13,68 - 1,00 | D : 14,29 - 0,82 | E:17,06-1,00 |

All original equipment manufacturers' numbers, symbols, pictures, models and description used in this catalogue are for reference only, and it is not implied that any part listed is the product of these manufactures. Tutti i nostri particolari non sono originali ma con essi intercambiabili. I riferimenti originali, le figure, i modelli sono esposti a semplice titolo indicativo. La nostra produzione riporta il nostro marchio.

16S130 (1286)  
16S160 (1297)  
16S190 (1297)

| Fig. | CEI no.        | O.E.M. Reference |           | Description                     | Q.ty | Note | Ratio |               |               |               |  |  |  |
|------|----------------|------------------|-----------|---------------------------------|------|------|-------|---------------|---------------|---------------|--|--|--|
|      |                | ZF no.           | IVECO no. |                                 |      |      |       | 16S130 (1286) | 16S160 (1297) | 16S190 (1297) |  |  |  |
| 1    | 190.169        | 1295 232 044     | 93157136  | Planetary Carrier               | 1    |      | ABC   | ●             |               |               |  |  |  |
| 1    | 190.395        | 1297 232 045     | 93157145  | Planetary Carrier               | 1    |      | D     | ●             |               |               |  |  |  |
| 1    | <b>190.396</b> | 1297 232 039     | 8194344   | Planetary Carrier               | 1    |      | BC    |               | ●             | ●             |  |  |  |
| 1    | 190.395        | 1297 232 045     | 93157145  | Planetary Carrier               | 1    |      | DE    |               | ●             | ●             |  |  |  |
| 1    |                | 1316 232 005     | 42536093  | Planetary Carrier               | 1    | (8)  | E     |               |               | ●             |  |  |  |
| 2    | 107.089        | 1269 332 036     | 7982131   | Planet Shaft                    | 5    |      | ABC   | ●             |               |               |  |  |  |
| 2    | <b>107.163</b> | 1297 332 109     | 8190756   | Planet Shaft                    | 5    |      | D     | ●             |               |               |  |  |  |
| 2    | <b>107.163</b> | 1297 332 109     | 8190756   | Planet Shaft                    | 5    |      |       |               | ●             | ●             |  |  |  |
| 2    | 107.165        | 1312 332 026     | 8198829   | Planet Shaft                    | 5    | (8)  |       |               |               | ●             |  |  |  |
| 3    | <b>160.191</b> | 0631 329 017     | 9920765   | Lock Pin D.3x24                 | 5    |      |       | ●             | ●             | ●             |  |  |  |
| 3    | 160.195        | 0631 329 167     | 93191213  | Lock Pin D.3x26                 | 5    | (8)  |       |               |               | ●             |  |  |  |
| 4    | <b>160.192</b> | 0631 329 050     | 8195251   | Lock Pin D.5x24                 | 5    |      |       | ●             | ●             | ●             |  |  |  |
| 4    | 160.194        | 0631 329 051     | 93191212  | Lock Pin D.5x26                 | 5    | (8)  |       |               |               | ●             |  |  |  |
| 5    | 169.408        | 0501 305 887     | 42484062  | Thrust Washer D.29x57,50x1,50   | 10   |      | ABC   | ●             |               |               |  |  |  |
| 5    | <b>169.753</b> | 0501 306 212     | 7981912   | Thrust Washer D.29x64x1,5       | 10   |      | D     | ●             |               |               |  |  |  |
| 5    | <b>169.753</b> | 0501 306 212     | 7981912   | Thrust Washer D.29x64x1,5       | 10   |      |       |               | ●             | ●             |  |  |  |
| 5    | 169.759        | 0501 308 981     | 93156113  | Thrust Washer                   | 10   | (8)  |       |               |               | ●             |  |  |  |
| 6    | <b>169.410</b> | 0730 103 846     | 42484076  | Spacer Ring D.29x39x1,00        | 15   |      |       | ●             | ●             | ●             |  |  |  |
| 6    | 169.744        | 0730 107 168     | 8198826   | Spacer Ring                     | 15   | (8)  |       |               |               | ●             |  |  |  |
| 7    | <b>171.016</b> | 0735 470 057     | 42484079  | Roller Set D.6x14,75 (180 pcs)  | 180  |      | ABC   | ●             |               |               |  |  |  |
| 7    | <b>171.045</b> | 0750 119 109     | 93157146  | Roller Set D.10x16,80 (120 pcs) | 120  |      | D     | ●             |               |               |  |  |  |
| 7    | <b>171.045</b> | 0750 119 109     | 93157146  | Roller Set D.10x16,80 (120 pcs) | 120  |      |       |               | ●             | ●             |  |  |  |
| 7    | <b>171.062</b> | 0750 119 116     | 93191132  | Roller D.10x16,8                | 140  | (8)  |       |               |               | ●             |  |  |  |
| 8    | <b>198.357</b> | 1295 232 027     | 7982154   | Planetary Gear Set (5 pcs)      | 1    |      | ABC   | ●             |               |               |  |  |  |
| 8    | <b>198.810</b> | 1297 232 024     | 93156046  | Planetary Gear Set (5 pcs)      | 1    |      | D     | ●             |               |               |  |  |  |
| 8    | <b>198.803</b> | 1297 232 023     | 7982241   | Planetary Gear Set (5 pcs)      | 1    |      | BC    |               | ●             | ●             |  |  |  |
| 8    | <b>198.810</b> | 1297 232 024     | 93156046  | Planetary Gear Set (5 pcs)      | 1    |      | DE    |               | ●             | ●             |  |  |  |
| 8    | <b>198.801</b> | 1312 232 014     | 8198825   | Planetary Gear Set (5 pcs)      | 1    | (8)  | E     |               |               | ●             |  |  |  |
| 9    | 198.562        | 1296 298 904     |           | Planetary Gear Set              | 1    |      | ABC   | ●             |               |               |  |  |  |
| 9    | <b>198.704</b> | 1297 298 912     |           | Planetary Gear Set              | 1    |      | BC    |               | ●             | ●             |  |  |  |
| 9    |                | 1297 298 919     |           | Planetary Gear Set              | 1    |      | DE    |               | ●             | ●             |  |  |  |
| 10   | 123.162        | 1295 332 053     | 8123432   | Crown Gear 83 T                 | 1    |      | ABC   | ●             |               |               |  |  |  |
| 10   | <b>123.208</b> | 1295 332 086     | 8198832   | Crown Gear 86 T                 | 1    |      | D     | ●             |               |               |  |  |  |
| 10   | <b>123.217</b> | 1297 332 080     | 8121936   | Crown Gear 83 T                 | 1    |      | BC    |               | ●             | ●             |  |  |  |
| 10   | <b>123.208</b> | 1295 332 086     | 8198832   | Crown Gear 86 T                 | 1    |      | DE    |               | ●             | ●             |  |  |  |
| 11   | 150.112        | 1295 332 021     | 7982205   | Flange Gear 83 T                | 1    |      | ABC   | ●             |               |               |  |  |  |
| 11   | <b>150.137</b> | 1297 332 035     | 93156047  | Flange Gear 86 T                | 1    |      | D     | ●             |               |               |  |  |  |
| 11   | <b>150.138</b> | 1297 332 017     | 7982273   | Flange Gear 83 T                | 1    |      | BC    |               | ●             | ●             |  |  |  |
| 11   | <b>150.137</b> | 1297 332 035     | 93156047  | Flange Gear 86 T                | 1    |      | DE    |               | ●             | ●             |  |  |  |
| 11   | <b>150.134</b> | 1297 332 120     | 8198830   | Flange Gear 86 T                | 1    | (8)  | E     |               |               | ●             |  |  |  |
| 12   | 111.129        | 0730 505 055     | 42492409  | Locking Wire                    | 1    |      | ABC   | ●             |               |               |  |  |  |
| 12   | 111.198        | 0730 505 056     | 8198833   | Locking Wire                    | 1    |      | D     | ●             |               |               |  |  |  |
| 12   | 111.129        | 0730 505 055     | 42492409  | Locking Wire                    | 1    |      | BC    |               | ●             | ●             |  |  |  |
| 12   | 111.198        | 0730 505 056     | 8198833   | Locking Wire                    | 1    |      | DE    |               | ●             | ●             |  |  |  |
| 13   | 130.244        | 0750 116 166     | 7981956   | Bearing D.75x105x16             | 1    |      | ABC   | ●             |               |               |  |  |  |

## Notes

(8) New Reinforced Style. Use items marked (8) together

## Date

03 / 2006

## Table

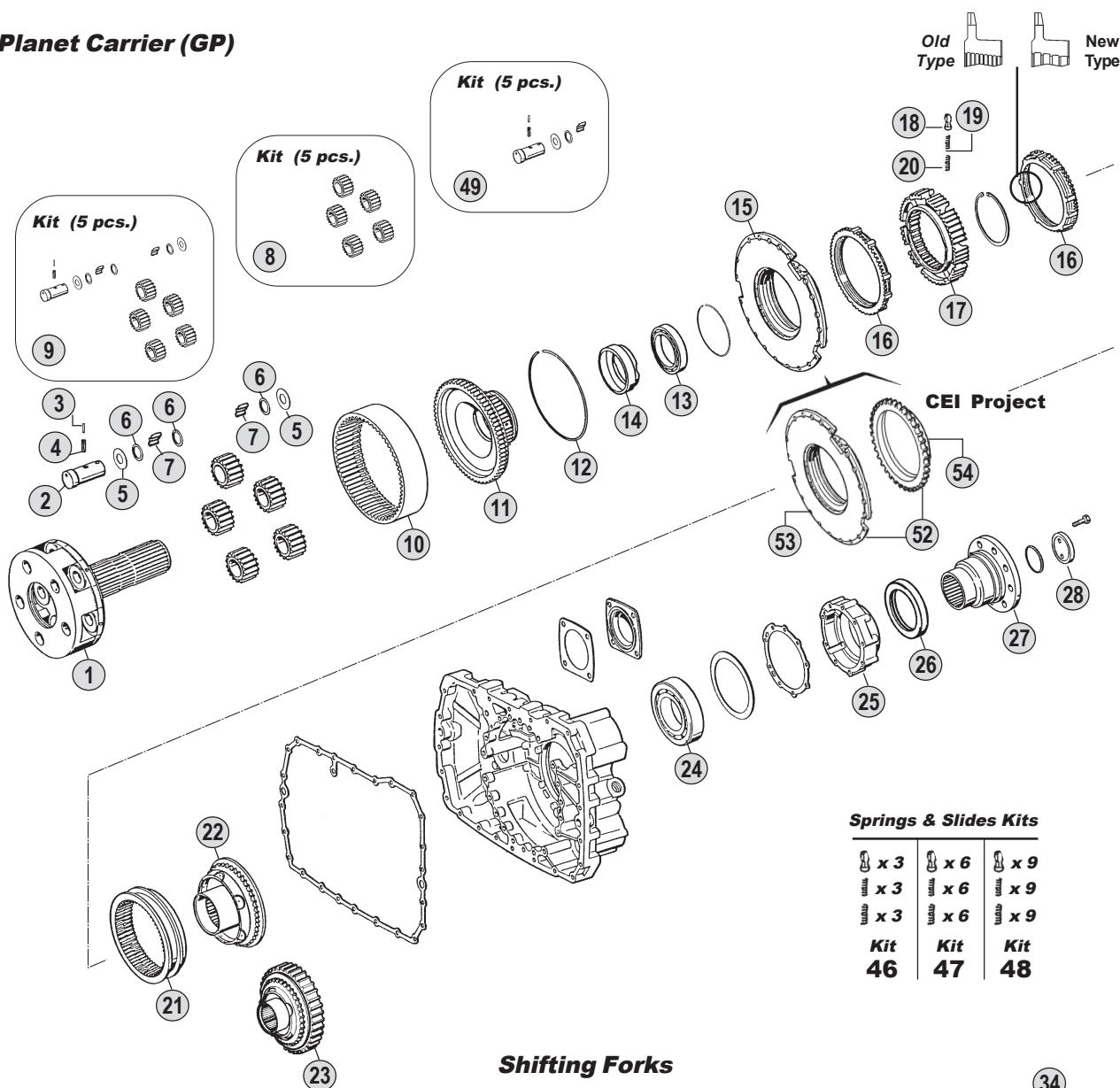
009 / B

All original equipment manufacturers numbers, symbols, pictures, models and description used in this catalogue are for reference only, and it is not implied that any part listed is the product of these manufactures. Tutti i nostri particolari non sono originali ma con essi intercambiabili. I riferimenti originali, le figure, i modelli sono esposti a semplice titolo indicativo. La nostra produzione riporta il nostro marchio.

Suitable To : **ZF**

**16S130 - 16S160 - 16S190**

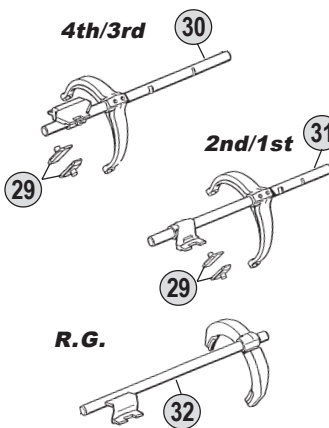
**Planet Carrier (GP)**



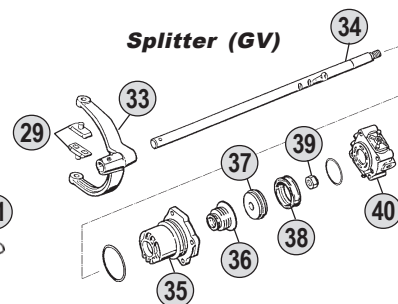
**Springs & Slides Kits**

|               |               |               |
|---------------|---------------|---------------|
| x 3           | x 6           | x 9           |
| x 3           | x 6           | x 9           |
| x 3           | x 6           | x 9           |
| <b>Kit 46</b> | <b>Kit 47</b> | <b>Kit 48</b> |

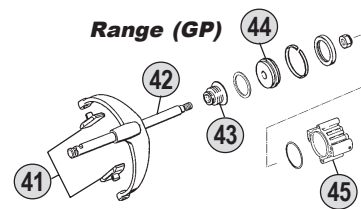
**Shifting Forks**



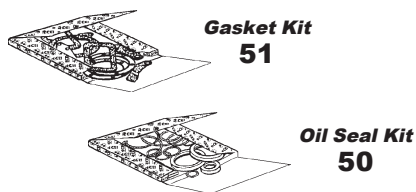
**Splitter (GV)**



**Range (GP)**



**Kits**



**Ratios**

|               |               |                  |                  |                  |               |
|---------------|---------------|------------------|------------------|------------------|---------------|
| <b>16S130</b> | A :10,14-0,72 | B : 11,46 - 0,85 | C : 13,68 - 1,00 | D : 14,29 - 0,82 | E :--         |
| <b>16S160</b> | A :--         | B : 11,46 - 0,85 | C : 13,68 - 1,00 | D : 14,29 - 0,82 | E :17,06-1,00 |
| <b>16S190</b> | A :--         | B : 11,46 - 0,85 | C : 13,68 - 1,00 | D : 14,29 - 0,82 | E :17,06-1,00 |

All original equipment manufacturers' numbers, symbols, pictures, models and description used in this catalogue are for reference only, and it is not implied that any part listed is the product of these manufactures. Tutti i nostri particolari non sono originali ma con essi intercambiabili. I riferimenti originali, le figure, i modelli sono esposti a semplice titolo indicativo. La nostra produzione riporta il nostro marchio.

16S130 (1286)  
16S160 (1297)  
16S190 (1297)

| Fig. | CEI no. | O.E.M. Reference |           | Description                 | Q.ty | Note                   | Ratio |               |               |               |  |  |  |
|------|---------|------------------|-----------|-----------------------------|------|------------------------|-------|---------------|---------------|---------------|--|--|--|
|      |         | ZF no.           | IVECO no. |                             |      |                        |       | 16S130 (1286) | 16S160 (1297) | 16S190 (1297) |  |  |  |
| 13   | 130.310 | 0750 116 165     | 42492449  | Bearing D.80x110x16         | 1    |                        | D     | ●             |               |               |  |  |  |
| 13   | 130.310 | 0750 116 165     | 42492449  | Bearing D.80x110x16         | 1    |                        |       | ●             | ●             |               |  |  |  |
| 13   | 130.311 | 0635 338 035     | 8195468   | Bearing D.100x125x13        | 1    | (8)                    |       |               | ●             |               |  |  |  |
| 14   |         | 1297 332 002     | 42492428  | Ring                        | 1    |                        | D     | ●             |               |               |  |  |  |
| 14   |         | 1297 332 002     | 42492428  | Ring                        | 1    |                        |       | ●             | ●             |               |  |  |  |
| 15   | 198.358 | 1296 233 006     | 7982213   | Synchronizer Cone           | 1    |                        |       | ●             | ●             | ●             |  |  |  |
| 16   | 119.085 | 1296 333 022     | 7982226   | Synchronizer Ring           | 2    | Old Type               |       | ●             | ●             | ●             |  |  |  |
| 16   | 119.172 | 1296 333 045     | 42532826  | Synchronizer Ring           | 2    | New Type               |       | ●             | ●             | ●             |  |  |  |
| 17   | 157.113 | 1296 333 002     | 7982225   | Synchronizer Hub            | 1    |                        |       | ●             | ●             | ●             |  |  |  |
| 17   | 157.183 | 1297 333 115     | 8198839   | Synchronizer Hub            | 1    | (8)                    |       |               |               | ●             |  |  |  |
| 18   | 160.116 | 1240 304 278     | 2960200   | Pressure piece              | 9    |                        |       | ●             | ●             | ●             |  |  |  |
| 19   | 156.036 | 0732 040 386     | 9931785   | Inner Spring De.3x34        | 9    |                        |       | ●             | ●             | ●             |  |  |  |
| 20   | 156.037 | 0732 040 385     | 8832940   | Outer Spring De.6x34        | 9    |                        |       | ●             | ●             | ●             |  |  |  |
| 21   | 154.098 | 1296 333 023     | 7982227   | Sliding Sleeve              | 1    |                        |       | ●             | ●             | ●             |  |  |  |
| 22   | 198.359 | 1295 233 025     | 7982157   | Synchronizer Cone (36 Spl.) | 1    |                        | ABC   | ●             |               |               |  |  |  |
| 22   | 198.374 | 1313 233 001     | 93156049  | Synchronizer Cone (38 Spl.) | 1    |                        | D     | ●             |               |               |  |  |  |
| 22   | 198.374 | 1313 233 001     | 93156049  | Synchronizer Cone (38 Spl.) | 1    |                        |       |               | ●             | ●             |  |  |  |
| 22   | 198.790 | 1297 233 056     | 8198840   | Synchronizer Cone (41 spl.) | 1    | (8)                    |       |               |               | ●             |  |  |  |
| 23   |         | 1297 333 117     |           | Synchronizer Cone           | 1    | With Retarder          | ABC   | ●             |               |               |  |  |  |
| 23   |         | 1297 333 118     |           | Synchronizer Cone           | 1    | With Retarder          | D     | ●             |               |               |  |  |  |
| 23   |         | 1297 333 118     |           | Synchronizer Cone           | 1    | With Retarder          |       |               | ●             | ●             |  |  |  |
| 24   | 130.245 | 0750 116 002     | 7982088   | Bearing D.90x160x30         | 1    |                        |       | ●             | ●             | ●             |  |  |  |
| 25   |         | 1296 301 067     | 7982221   | Cover                       | 1    |                        |       | ●             | ●             |               |  |  |  |
| 25   | 128.098 | 1315 301 220     | 8198822   | Cover                       | 1    |                        |       | ●             | ●             |               |  |  |  |
| 25   |         | 1296 301 067     | 7982221   | Cover                       | 1    |                        |       |               |               | ●             |  |  |  |
| 25   | 128.098 | 1315 301 220     | 8198822   | Cover                       | 1    | (8)                    |       |               |               | ●             |  |  |  |
| 26   |         | 0750 111 341     | 93194330  | Oil Seal 105x130x12         | 1    |                        |       | ●             | ●             | ●             |  |  |  |
| 27   |         | 1295 238 003     |           | Output Flange               | 1    | D.165-8 H.             | ABC   | ●             |               |               |  |  |  |
| 27   |         | 1295 338 061     | 8194837   | Output Flange               | 1    | D.180-4 H.             | ABC   | ●             |               |               |  |  |  |
| 27   | 197.051 | 1295 338 014     | 8123546   | Output Flange               | 1    | D.180-10 H.            | ABC   | ●             |               |               |  |  |  |
| 27   |         | 1295 338 059     |           | Output Flange               | 1    | D.180-10 H.            | ABC   | ●             |               |               |  |  |  |
| 27   | 197.074 | 1295 338 016     | 42492561  | Output flange               | 1    | D.204-4 H.             | ABC   | ●             |               |               |  |  |  |
| 27   |         | 1295 338 028     |           | Output Flange               | 1    | D.204-4 H.             | ABC   | ●             |               |               |  |  |  |
| 27   |         | 1297 338 041     | 93156094  | Output Flange               | 1    | D.180-4 H.             | D     | ●             |               |               |  |  |  |
| 27   |         | 1297 338 010     | 42492434  | Output Flange               | 1    | D.180-10 H.            | D     | ●             |               |               |  |  |  |
| 27   |         | 1297 338 041     | 93156094  | Output Flange               | 1    | D.180-4 H.             |       |               | ●             | ●             |  |  |  |
| 27   |         | 1297 338 038     |           | Output Flange               | 1    | D.180-10 H.            |       |               | ●             | ●             |  |  |  |
| 27   |         | 1297 338 010     | 42492434  | Output Flange               | 1    | D.180-10 H.            |       |               | ●             | ●             |  |  |  |
| 27   |         | 1297 333 110     | 93156114  | Output Flange               | 1    | D.180-4 H. (8)         |       |               |               | ●             |  |  |  |
| 28   | 188.077 | 1295 332 051     | 7982207   | Stop Washer                 | 1    |                        |       | ●             | ●             | ●             |  |  |  |
| 28   |         | 1295 332 064     |           | Stop Washer                 | 1    | Only with 1295 238 003 |       | ●             |               |               |  |  |  |
| 28   |         | 1312 332 028     | 8198837   | Stop Washer                 | 1    | (8)                    |       |               |               | ●             |  |  |  |
| 29   | 141.068 | 1295 306 132     | 8121941   | Bronze Slide                | 2    |                        |       | ●             | ●             | ●             |  |  |  |
| 30   |         | 1295 206 212     | 93159938  | Fork                        | 1    |                        |       | ●             |               |               |  |  |  |
| 30   | 198.362 | 1295 206 213     | 8194833   | Fork                        | 1    |                        |       | ●             |               |               |  |  |  |

## Notes

(8) New Reinforced Style. Use items marked (8) together

## Date

03 / 2006

## Table

009 / B

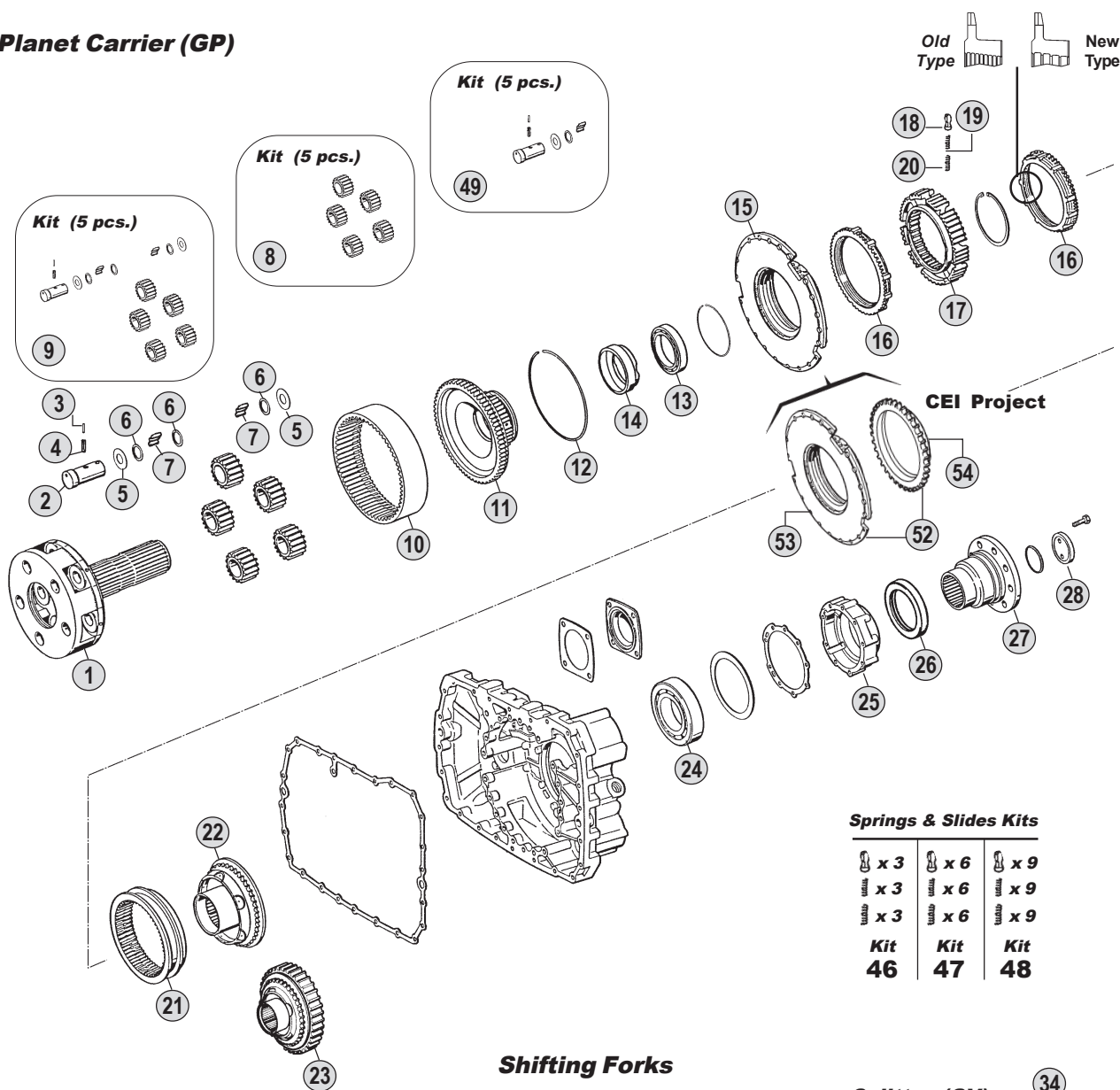
All original equipment manufacturers numbers, symbols, pictures, models and description used in this catalogue are for reference only, and it is not implied that any part listed is the product of these manufactures. Tutti i nostri particolari non sono originali ma con essi intercambiabili. I riferimenti originali, le figure, i modelli sono esposti a semplice titolo indicativo. La nostra produzione riporta il nostro marchio.



Suitable To : **ZF**

**16S130 - 16S160 - 16S190**

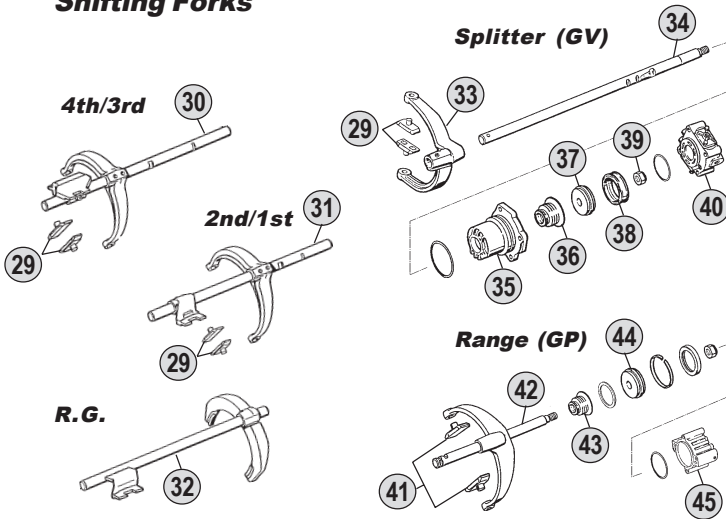
**Planet Carrier (GP)**



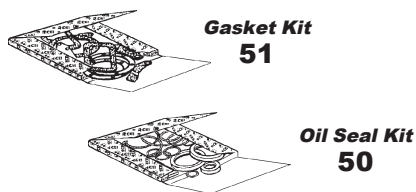
**Springs & Slides Kits**

|               |               |               |
|---------------|---------------|---------------|
| x 3           | x 6           | x 9           |
| x 3           | x 6           | x 9           |
| x 3           | x 6           | x 9           |
| <b>Kit 46</b> | <b>Kit 47</b> | <b>Kit 48</b> |

**Shifting Forks**



**Kits**



**Gasket Kit 51**

**Oil Seal Kit 50**

**Ratios**

|               |                |                  |                  |                  |                |
|---------------|----------------|------------------|------------------|------------------|----------------|
| <b>16S130</b> | A : 10,14-0,72 | B : 11,46 - 0,85 | C : 13,68 - 1,00 | D : 14,29 - 0,82 | E : --         |
| <b>16S160</b> | A : --         | B : 11,46 - 0,85 | C : 13,68 - 1,00 | D : 14,29 - 0,82 | E : 17,06-1,00 |
| <b>16S190</b> | A : --         | B : 11,46 - 0,85 | C : 13,68 - 1,00 | D : 14,29 - 0,82 | E : 17,06-1,00 |

All original equipment manufacturers' numbers, symbols, pictures, models and description used in this catalogue are for reference only, and it is not implied that any part listed is the product of these manufactures. Tutti i nostri particolari non sono originali ma con essi intercambiabili. I riferimenti originali, le figure, i modelli sono esposti a semplice titolo indicativo. La nostra produzione riporta il nostro marchio.

| Fig. | CEI no. | O.E.M. Reference |           | Description             | Q.ty | Note              | Ratio | 16S130 (1286) |   |   |  | 16S160 (1297) |  |  |  | 16S190 (1297) |  |  |  |
|------|---------|------------------|-----------|-------------------------|------|-------------------|-------|---------------|---|---|--|---------------|--|--|--|---------------|--|--|--|
|      |         | ZF no.           | IVECO no. |                         |      |                   |       |               |   |   |  |               |  |  |  |               |  |  |  |
| 30   |         | 1297 206 103     | 8198887   | Fork                    | 1    |                   |       | ●             | ● |   |  |               |  |  |  |               |  |  |  |
| 30   |         | 1297 206 104     | 42531234  | Fork                    | 1    |                   |       | ●             | ● |   |  |               |  |  |  |               |  |  |  |
| 30   |         | 1297 206 192     |           | Fork                    | 1    |                   |       |               | ● |   |  |               |  |  |  |               |  |  |  |
| 31   |         | 1295 206 223     |           | Fork                    | 1    |                   |       | ●             |   |   |  |               |  |  |  |               |  |  |  |
| 31   |         | 1295 206 217     |           | Fork                    | 1    |                   |       | ●             |   |   |  |               |  |  |  |               |  |  |  |
| 31   |         | 1295 206 214     | 8194831   | Fork                    | 1    |                   |       | ●             |   |   |  |               |  |  |  |               |  |  |  |
| 31   |         | 1295 206 215     | 93159281  | Fork                    | 1    |                   |       | ●             |   |   |  |               |  |  |  |               |  |  |  |
| 31   |         | 1297 206 106     | 8195004   | Fork                    | 1    |                   |       |               | ● | ● |  |               |  |  |  |               |  |  |  |
| 31   |         | 1297 206 105     | 42531233  | Fork                    | 1    |                   |       |               | ● | ● |  |               |  |  |  |               |  |  |  |
| 31   |         | 1297 206 191     |           | Fork                    | 1    |                   |       |               |   | ● |  |               |  |  |  |               |  |  |  |
| 32   |         | 1295 206 250     |           | Fork                    | 1    |                   |       | ●             |   |   |  |               |  |  |  |               |  |  |  |
| 32   |         | 1295 206 249     |           | Fork                    | 1    |                   |       | ●             |   |   |  |               |  |  |  |               |  |  |  |
| 32   | 198.360 | 1295 206 255     | 93159282  | Fork                    | 1    |                   |       | ●             |   |   |  |               |  |  |  |               |  |  |  |
| 32   |         | 1295 206 254     | 93155714  | Fork                    | 1    |                   |       | ●             |   |   |  |               |  |  |  |               |  |  |  |
| 32   |         | 1297 206 174     | 93156041  | Fork                    | 1    |                   |       |               | ● | ● |  |               |  |  |  |               |  |  |  |
| 32   |         | 1297 206 175     | 42531235  | Fork                    | 1    |                   |       |               | ● | ● |  |               |  |  |  |               |  |  |  |
| 32   |         | 1297 206 181     |           | Fork                    | 1    |                   |       |               |   | ● |  |               |  |  |  |               |  |  |  |
| 33   |         | 1313 312 002     | 93156532  | Fork                    | 1    |                   |       | ●             | ● | ● |  |               |  |  |  |               |  |  |  |
| 34   | 149.172 | 1295 312 018     | 7982204   | Selector rod            | 1    |                   |       | ●             |   |   |  |               |  |  |  |               |  |  |  |
| 34   |         | 1297 312 008     |           | Selector Rod            | 1    |                   |       |               | ● | ● |  |               |  |  |  |               |  |  |  |
| 35   | 132.046 | 1296 312 042     | 8123433   | Cylinder                | 1    |                   |       | ●             | ● | ● |  |               |  |  |  |               |  |  |  |
| 36   | 139.331 | 0750 112 034     | 8190753   | Cap Collar D.25x38x14,2 | 1    |                   |       | ●             | ● | ● |  |               |  |  |  |               |  |  |  |
| 37   | 189.421 | 1296 312 053     | 8193708   | Piston                  | 1    |                   |       | ●             | ● | ● |  |               |  |  |  |               |  |  |  |
| 38   |         | 0750 112 089     | 8194836   | Ring 53x63x16,2         | 1    |                   |       | ●             | ● | ● |  |               |  |  |  |               |  |  |  |
| 39   |         | 0737 006 095     | 93190550  | Nut                     | 1    |                   |       | ●             | ● | ● |  |               |  |  |  |               |  |  |  |
| 40   |         | 0750 132 032     |           | Cylinder                | 1    |                   |       | ●             | ● | ● |  |               |  |  |  |               |  |  |  |
| 40   |         | 0750 132 033     | 8121938   | Cylinder                | 1    |                   |       | ●             | ● | ● |  |               |  |  |  |               |  |  |  |
| 40   | 280.350 | 1295 212 008     |           | Cylinder                | 1    |                   |       | ●             | ● |   |  |               |  |  |  |               |  |  |  |
| 40   |         | 1295 212 009     | 42492464  | Cylinder                | 1    |                   |       |               | ● |   |  |               |  |  |  |               |  |  |  |
| 41   | 141.085 | 1296 334 004     | 7982228   | Bronze Slide            | 2    |                   |       | ●             | ● | ● |  |               |  |  |  |               |  |  |  |
| 42   | 149.171 | 1312 234 002     | 93190033  | Fork Lever              | 1    |                   |       | ●             | ● | ● |  |               |  |  |  |               |  |  |  |
| 43   | 139.331 | 0750 112 034     | 8190753   | Cap Collar D.25x38x14,2 | 1    |                   |       | ●             | ● | ● |  |               |  |  |  |               |  |  |  |
| 44   | 189.422 | 1296 334 039     | 42492447  | Piston                  | 1    |                   |       | ●             | ● | ● |  |               |  |  |  |               |  |  |  |
| 44   |         | 1297 334 056     | 8198841   | Piston                  | 1    | (8)               |       |               |   | ● |  |               |  |  |  |               |  |  |  |
| 45   | 132.047 | 1295 334 075     | 7982230   | Cylinder                | 1    |                   |       | ●             | ● | ● |  |               |  |  |  |               |  |  |  |
| 45   |         | 1297 334 055     | 8198844   | Cylinder                | 1    | (8)               |       |               |   | ● |  |               |  |  |  |               |  |  |  |
| 46   | 198.339 | 1268 298 938     |           | Spring Slide Set        | 1    |                   |       | ●             | ● | ● |  |               |  |  |  |               |  |  |  |
| 47   | 198.564 | CEI 198564       |           | Spring Slide Set        | 1    |                   |       | ●             | ● | ● |  |               |  |  |  |               |  |  |  |
| 48   | 198.842 | 1295 298 933     |           | Spring Slide Set        | 1    |                   |       | ●             | ● | ● |  |               |  |  |  |               |  |  |  |
| 49   | 198.447 | CEI 198447       |           | Gear Set                | 1    |                   | ABC   | ●             |   |   |  |               |  |  |  |               |  |  |  |
| 50   | 198.428 | 1295 298 960     | 8124710   | Oil Seal Ring Kit       | 1    |                   |       | ●             | ● | ● |  |               |  |  |  |               |  |  |  |
| 51   | 198.427 | 1295 298 915     | 8124709   | Gasket Kit              | 1    |                   |       | ●             | ● | ● |  |               |  |  |  |               |  |  |  |
| 52   | 198.856 | CEI 198856       |           | Synchronizer cone kit   | 1    | Can repl. fig. 15 |       | ●             | ● | ● |  |               |  |  |  |               |  |  |  |
| 53   | 135.128 | CEI 135128       |           | Saddle Plate            | 1    | Use with fig.54   |       | ●             | ● | ● |  |               |  |  |  |               |  |  |  |
| 54   | 109.174 | 1296 333 050     | 42535041  | Synchronizer Cone       | 1    | use with fig. 53  |       | ●             | ● | ● |  |               |  |  |  |               |  |  |  |

## Notes

(8) New Reinforced Style. Use items marked (8) together

## Date

03 / 2006

## Table

009 / B

All original equipment manufacturers numbers, symbols, pictures, models and description used in this catalogue are for reference only, and it is not implied that any part listed is the product of these manufactures.  
 Tutti i nostri particolari non sono originali ma con essi intercambiabili. I riferimenti originali, le figure, i modelli sono esposti a semplice titolo indicativo. La nostra produzione riporta il nostro marchio.



suitable to :

**Z.F.****EcoSplit I****From 16S112/1 to 16S190/1****Application**

|                 | 16S112/1<br>(1296) | 16S130/1<br>(1295) | 16S160/1<br>(1297) | 16S190/1<br>(1297) |
|-----------------|--------------------|--------------------|--------------------|--------------------|
| <b>MERCEDES</b> |                    |                    |                    |                    |
| <b>MAN</b>      |                    |                    |                    |                    |
| <b>IVECO</b>    |                    |                    |                    |                    |
| <b>RVI</b>      |                    |                    |                    |                    |
| <b>DAF</b>      |                    |                    |                    |                    |
| <b>VOLVO</b>    |                    |                    |                    |                    |

**Ratios**

|                 | R.10,14-0,72<br><b>A</b> | R.11,46-0,85<br><b>B</b> | R.13,68-1,00<br><b>C</b> | R.14,29-0,82<br><b>D</b> | R.17,06-1,00<br><b>E</b> |
|-----------------|--------------------------|--------------------------|--------------------------|--------------------------|--------------------------|
| <b>16S112/1</b> |                          |                          |                          |                          |                          |
| <b>16S130/1</b> |                          |                          |                          |                          |                          |
| <b>16S160/1</b> |                          |                          |                          |                          |                          |
| <b>16S190/1</b> |                          |                          |                          |                          |                          |

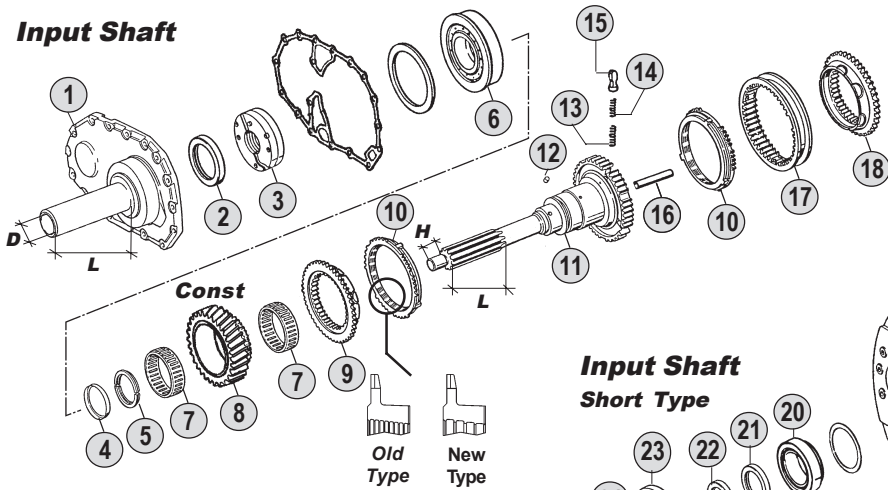
All original equipment manufacturers numbers, symbols, pictures, models and description used in this catalogue are for reference only, and it is not implied that any part listed is the product of these manufacturers. Tutti i nostri particolari non sono originali ma con essi intercambiabili. I riferimenti originali, le figure, i modelli sono esposti a semplice titolo indicativo. La nostra produzione riporta il nostro marchio.

**ECO I**  
From 16S160/1  
To 16S190/1

Suitable To : **ZF**

**16S160/1 - 16S190/1**

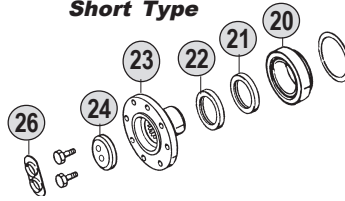
**Input Shaft**



**Springs & Slides Kits**

|               |               |               |                |
|---------------|---------------|---------------|----------------|
| x 3           | x 6           | x 9           | 15<br>14<br>13 |
| x 3           | x 6           | x 9           |                |
| x 3           | x 6           | x 9           |                |
| <b>Kit 70</b> | <b>Kit 71</b> | <b>Kit 72</b> |                |

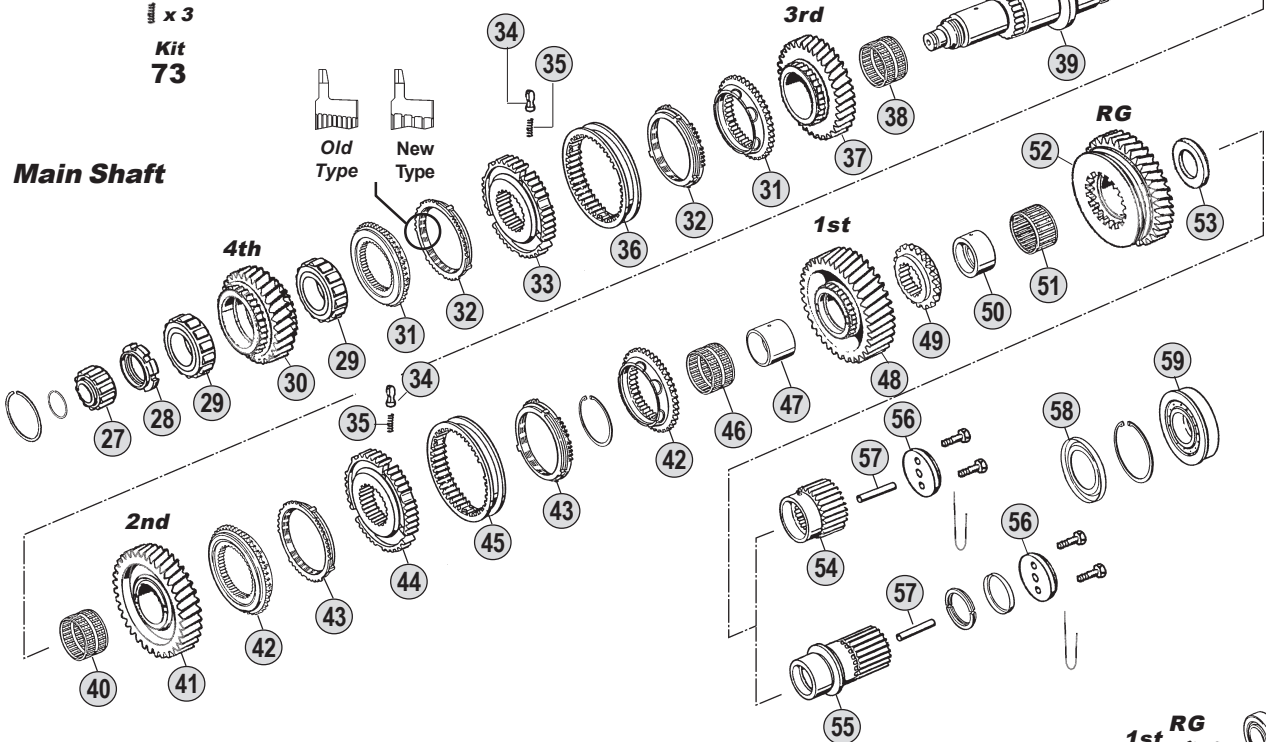
**Input Shaft Short Type**



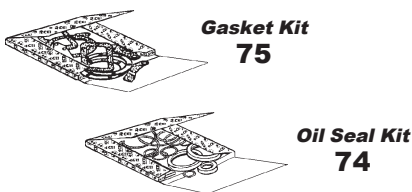
**Springs & Slides Kits**

|               |                      |
|---------------|----------------------|
| x 3           | Old Type<br>New Type |
| x 3           |                      |
| <b>Kit 73</b> |                      |

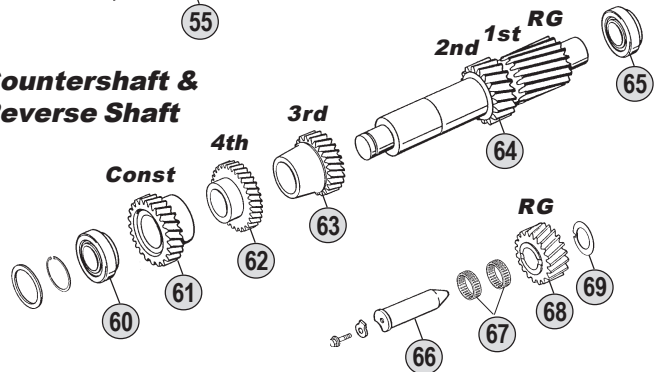
**Main Shaft**



**Kits**



**Countershaft & Reverse Shaft**



**Ratios**

|                      |                  |                  |                  |                |
|----------------------|------------------|------------------|------------------|----------------|
| <b>16S160/1 A:--</b> | B : 11,46 - 0,85 | C : 13,68 - 1,00 | D : 14,29 - 0,82 | E : 17,06-1,00 |
| <b>16S190/1 A:--</b> | B : 11,46 - 0,85 | C : 13,68 - 1,00 | D : 14,29 - 0,82 | E : 17,06-1,00 |

All original equipment manufacturers' numbers, symbols, pictures, models and description used in this catalogue are for reference only, and it is not implied that any part listed is the product of these manufactures. Tutti i nostri particolari non sono originali ma con essi intercambiabili. I riferimenti originali, le figure, i modelli sono esposti a semplice titolo indicativo. La nostra produzione riporta il nostro marchio.

16S160/1 (1297)  
16S190/1 (1297)

| Fig. | CEI no.        | O.E.M. Reference |           | Description                 | Q.ty | Note           | Ratio |   |   |  |  |  |  |  |
|------|----------------|------------------|-----------|-----------------------------|------|----------------|-------|---|---|--|--|--|--|--|
|      |                | ZF no.           | IVECO no. |                             |      |                |       |   |   |  |  |  |  |  |
| 1    |                | 1297 302 025     |           | Front Cover                 | 1    | L=205 -H=68    |       | ● |   |  |  |  |  |  |
| 1    |                | 1297 302 043     | 8190711   | Front Cover                 | 1    | L=170 -H=62,61 |       | ● |   |  |  |  |  |  |
| 2    |                | 0750 111 002     | 9981327   | Oil Seal 48x75x8            | 1    |                |       | ● |   |  |  |  |  |  |
| 2    |                | 0734 310 386     | 42533218  | Oil Seal 55x75x8            | 1    |                |       | ● |   |  |  |  |  |  |
| 3    | <b>280.348</b> | 1295 202 041     | 8190359   | Oil Pump                    | 1    |                |       | ● | ● |  |  |  |  |  |
| 4    | 169.754        | 0730 061 816     | 9931723   | Securing Ring               | 1    |                |       | ● | ● |  |  |  |  |  |
| 4    | 169.755        | 0730 062 579     | 8121935   | Securing Ring               | 1    | S.4,20 mm      |       | ● | ● |  |  |  |  |  |
| 5    |                | 0730 103 244     | 42480821  | Split Ring T.4,30 mm        | 1    | S.4,30 mm (3)  |       | ● | ● |  |  |  |  |  |
| 5    |                | 0730 103 935     | 42492467  | Split Ring T.3,80 mm        | 1    | S.3,80 mm (3)  |       | ● | ● |  |  |  |  |  |
| 5    |                | 0730 105 156     | 8121934   | Split Ring T.4,00 mm        | 1    | S.4,00 mm (4)  |       | ● | ● |  |  |  |  |  |
| 5    |                | 0730 105 154     | 8121932   | Split Ring T.3,80 mm        | 1    | S.3,80 mm (4)  |       | ● | ● |  |  |  |  |  |
| 6    | 130.305        | 0750 118 131     | 1905088   | Bearing D.80x150x27,50      | 1    |                |       | ● | ● |  |  |  |  |  |
| 7    | <b>137.153</b> | 0735 320 896     | 8123819   | Needle Cage D.88x96x29      | 2    |                |       | ● | ● |  |  |  |  |  |
| 8    | <b>145.466</b> | 1297 302 177     | 93157252  | Constant Gear 30 T          | 1    |                | B     | ● | ● |  |  |  |  |  |
| 8    | <b>145.406</b> | 1297 302 176     | 8190712   | Constant Gear 28 T          | 1    |                | C     | ● | ● |  |  |  |  |  |
| 8    | <b>145.405</b> | 1297 302 250     | 42536778  | Constant Gear 29 T          | 1    |                | D     | ● | ● |  |  |  |  |  |
| 8    | <b>145.407</b> | 1297 302 241     | 8198793   | Constant Gear 26 T          | 1    |                | E     | ● | ● |  |  |  |  |  |
| 9    | <b>109.072</b> | 1295 304 278     | 7982177   | Synchronizer Cone           | 1    |                |       | ● | ● |  |  |  |  |  |
| 10   | <b>119.084</b> | 1295 304 004     | 7982165   | Synchronizer Ring           | 2    | Old Type       |       | ● | ● |  |  |  |  |  |
| 10   | <b>119.175</b> | 1304 304 686     | 42536530  | Synchronizer Ring           | 2    | New Type       |       | ● | ● |  |  |  |  |  |
| 11   | 102.236        | 1297 202 009     | 8190709   | Input shaft                 | 1    |                |       | ● | ● |  |  |  |  |  |
| 12   |                | 0635 470 012     | 9931670   | Pin                         | 1    |                |       | ● | ● |  |  |  |  |  |
| 13   | <b>156.037</b> | 0732 040 385     | 8832940   | Outer Spring De.6x34        | 3    |                |       | ● | ● |  |  |  |  |  |
| 14   | <b>156.036</b> | 0732 040 386     | 9931785   | Inner Spring De.3x34        | 3    |                |       | ● | ● |  |  |  |  |  |
| 15   | <b>160.116</b> | 1240 304 278     | 2960200   | Pressure piece              | 3    |                |       | ● | ● |  |  |  |  |  |
| 16   | 188.208        | 0730 062 323     | 93190980  | Oil Tube                    | 1    |                |       | ● | ● |  |  |  |  |  |
| 17   | <b>154.097</b> | 1295 304 002     | 7982164   | Sliding Sleeve              | 1    |                |       | ● | ● |  |  |  |  |  |
| 18   | <b>109.072</b> | 1295 304 278     | 7982177   | Synchronizer Cone           | 1    |                |       | ● | ● |  |  |  |  |  |
| 19   | <b>102.237</b> | 1297 202 044     | 8123821   | Input Shaft                 | 1    |                |       | ● | ● |  |  |  |  |  |
| 20   |                | 0750 117 651     | 1905420   | Bearing 50x90x24,7          | 1    |                |       | ● | ● |  |  |  |  |  |
| 21   |                | 0634 310 648     | 7984238   | Oil Seal 70x90x10           | 1    |                |       | ● | ● |  |  |  |  |  |
| 22   |                | 0734 300 140     | 42493153  | Oil Seal 70x90x10           | 1    |                |       | ● | ● |  |  |  |  |  |
| 23   | 155.135        | 1286 304 026     | 7982145   | Drive Flange                | 1    | D.150-8H.      |       | ● | ● |  |  |  |  |  |
| 24   | 188.078        | 1269 302 065     | 9985488   | Stop Washer                 | 1    |                |       | ● | ● |  |  |  |  |  |
| 26   |                | 1269 302 164     | 73140828  | Stop Washer                 | 1    |                |       | ● | ● |  |  |  |  |  |
| 27   | 137.113        | 0750 118 038     | 7982073   | Roller Cage D.35x68x27,50   | 1    |                |       | ● | ● |  |  |  |  |  |
| 28   | 187.412        | 0737 502 092     | 7982081   | Grooved Nut M60x1,5         | 1    |                |       | ● | ● |  |  |  |  |  |
| 29   | 137.157        | 0750 118 220     | 93157137  | Roller Cage D.63x97,5x37,50 | 2    |                |       | ● | ● |  |  |  |  |  |
| 30   | <b>146.384</b> | 1297 304 267     | 42492495  | Gear 4th Speed 28 T         | 1    |                | B     | ● | ● |  |  |  |  |  |
| 30   | <b>146.318</b> | 1297 304 260     | 8190720   | Gear 4th Speed 30 T         | 1    |                | C     | ● | ● |  |  |  |  |  |
| 30   | <b>146.315</b> | 1297 304 318     | 93157144  | Gear 4th Speed 26 T         | 1    |                | D     | ● | ● |  |  |  |  |  |
| 30   | <b>146.294</b> | 1297 304 413     | 8198814   | Gear 4th Speed 29 T         | 1    |                | E     | ● | ● |  |  |  |  |  |
| 31   | <b>109.114</b> | 1297 304 369     | 8198810   | Synchronizer Cone           | 2    |                |       | ● | ● |  |  |  |  |  |
| 32   | <b>119.119</b> | 1297 304 402     | 93159684  | Synchronizer Ring           | 2    | Old Type       |       | ● | ● |  |  |  |  |  |
| 32   | <b>119.167</b> | 1297 304 484     | 42532487  | Synchronizer Ring           | 2    | New Type       |       | ● | ● |  |  |  |  |  |

## Notes

- (3) To be coupled together with Fig. 4 - 0730 061 816  
 (4) To be coupled together with Fig. 4 - 0730 062 579

## Date

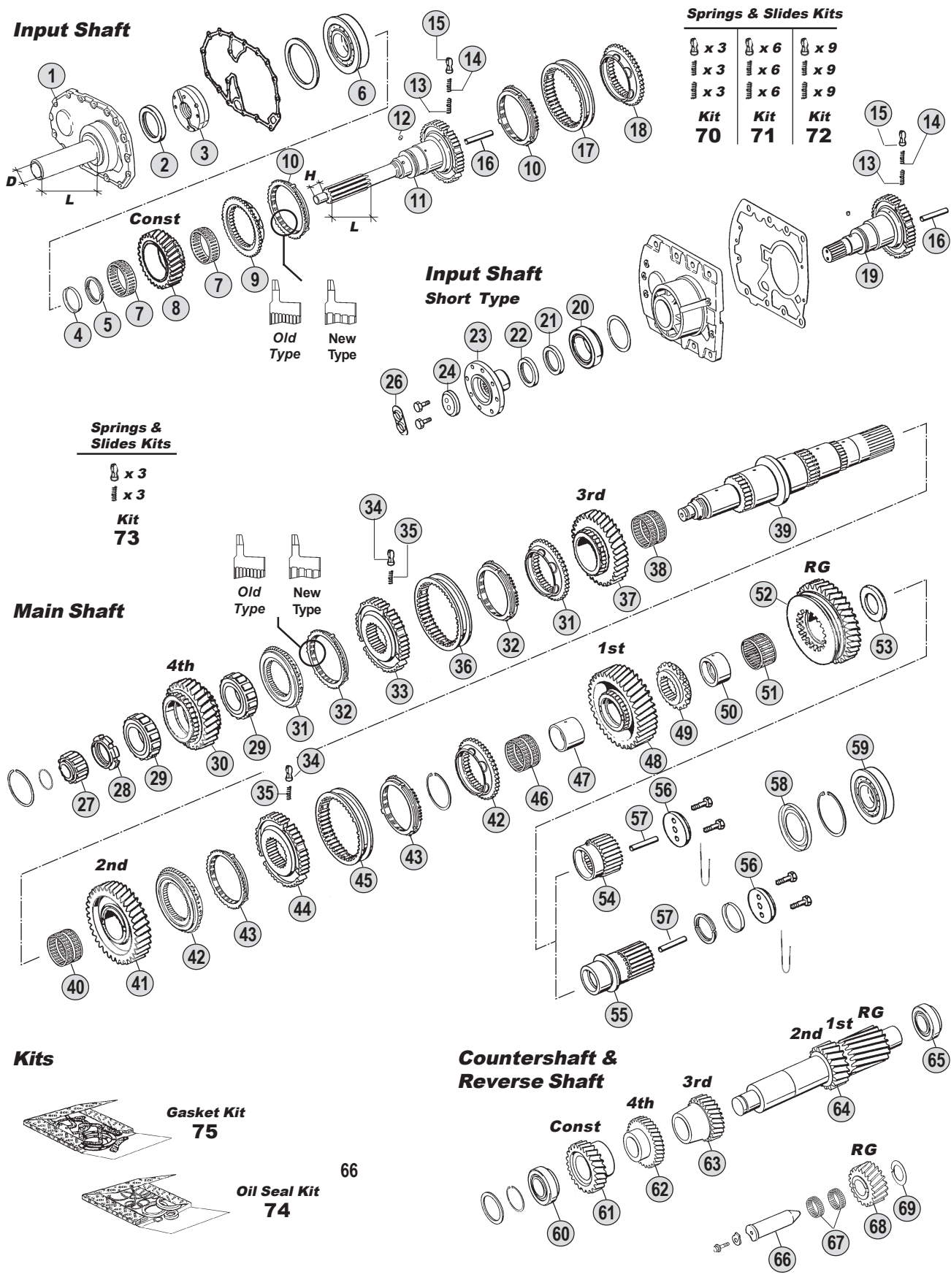
03 / 2006

## Table

010 / A

Suitable To : **ZF**

**16S160/1 - 16S190/1**



All original equipment manufacturers' numbers, symbols, pictures, models and description used in this catalogue are for reference only, and it is not implied that any part listed is the product of these manufactures. Tutti i nostri particolari non sono originali ma con essi intercambiabili. I riferimenti originali, le figure, i modelli sono esposti a semplice titolo indicativo. La nostra produzione riporta il nostro marchio.

**Ratios**

|                       |                         |                         |                         |                         |
|-----------------------|-------------------------|-------------------------|-------------------------|-------------------------|
| <b>16S160/1 A</b> :-- | <b>B</b> : 11,46 - 0,85 | <b>C</b> : 13,68 - 1,00 | <b>D</b> : 14,29 - 0,82 | <b>E</b> : 17,06 - 1,00 |
| <b>16S190/1 A</b> :-- | <b>B</b> : 11,46 - 0,85 | <b>C</b> : 13,68 - 1,00 | <b>D</b> : 14,29 - 0,82 | <b>E</b> : 17,06 - 1,00 |

16S160/1 (1297)  
16S190/1 (1297)

| Fig. | CEI no. | O.E.M. Reference |           | Description            | Q.ty | Note     | Ratio |   |   |  |  |  |  |  |
|------|---------|------------------|-----------|------------------------|------|----------|-------|---|---|--|--|--|--|--|
|      |         | ZF no.           | IVECO no. |                        |      |          |       |   |   |  |  |  |  |  |
| 33   | 157.140 | 1297 304 446     | 93156033  | Synchronizer Hub       | 1    |          |       | ● | ● |  |  |  |  |  |
| 34   | 160.189 | 1297 304 436     | 93156036  | Pressure Piece         | 3    |          |       | ● | ● |  |  |  |  |  |
| 35   | 156.140 | 0732 040 409     | 2967403   | Spring D.6,50x23,50    | 3    |          |       | ● | ● |  |  |  |  |  |
| 36   | 154.135 | 1310 304 202     | 42534465  | Sliding Sleeve         | 1    |          |       | ● | ● |  |  |  |  |  |
| 37   | 145.470 | 1297 304 266     | 42492494  | Gear 3rd Speed 32 T    | 1    |          | BD    | ● | ● |  |  |  |  |  |
| 37   | 145.450 | 1297 304 261     | 8190719   | Gear 3rd Speed 34 T    | 1    |          | C     | ● | ● |  |  |  |  |  |
| 37   | 145.377 | 1297 304 414     | 8198809   | Gear 3rd Speed 34 T    | 1    |          | E     | ● | ● |  |  |  |  |  |
| 38   | 137.112 | 0735 320 451     | 7982067   | Needle Cage D.82x90x60 | 1    |          |       | ● | ● |  |  |  |  |  |
| 39   | 103.132 | 1297 304 181     | 7982265   | Main Shaft             | 1    |          | BC    | ● | ● |  |  |  |  |  |
| 39   | 103.098 | 1297 304 193     | 8198801   | Main Shaft             | 1    |          | DE    | ● | ● |  |  |  |  |  |
| 40   | 137.109 | 0735 320 452     | 7982068   | Needle Cage D.82x90x55 | 1    |          |       | ● | ● |  |  |  |  |  |
| 41   | 145.500 | 1297 304 269     | 42492493  | Gear 2nd Speed 37 T    | 1    |          | BD    | ● | ● |  |  |  |  |  |
| 41   | 145.375 | 1297 304 442     | 93156030  | Gear 2nd Speed 38 T    | 1    |          | CE    | ● | ● |  |  |  |  |  |
| 42   | 109.113 | 1297 304 371     | 8198805   | Synchronizer Cone      | 2    |          |       | ● | ● |  |  |  |  |  |
| 43   | 119.122 | 1297 304 401     | 93160314  | Synchronizer Ring      | 2    | Old Type |       | ● | ● |  |  |  |  |  |
| 43   | 119.166 | 1297 304 485     | 42534634  | Synchronizer Ring      | 2    | New Type |       | ● | ● |  |  |  |  |  |
| 44   | 157.139 | 1297 304 445     | 93156032  | Synchronizer Hub       | 1    |          |       | ● | ● |  |  |  |  |  |
| 45   | 154.136 | 1297 304 450     | 93156034  | Sliding Sleeve         | 1    |          |       | ● | ● |  |  |  |  |  |
| 46   | 137.110 | 0735 320 487     | 42492253  | Needle Cage D.82x90x68 | 1    |          |       | ● | ● |  |  |  |  |  |
| 47   | 117.246 | 1297 304 035     | 7982259   | Bush                   | 1    |          |       | ● | ● |  |  |  |  |  |
| 48   | 145.507 | 1297 304 270     | 42492497  | Gear 1st Speed 44 T    | 1    |          | BD    | ● | ● |  |  |  |  |  |
| 48   | 145.376 | 1297 304 441     | 93156031  | Gear 1st Speed 47 T    | 1    |          | CE    | ● | ● |  |  |  |  |  |
| 49   | 109.178 | 1297 304 154     | 7982263   | Engaging Ring          | 1    |          |       | ● | ● |  |  |  |  |  |
| 50   | 117.318 | 1297 304 034     | 42492291  | Bush                   | 1    |          | BC    | ● | ● |  |  |  |  |  |
| 51   | 137.111 | 0735 320 486     | 7982069   | Needle Cage D.78x86x44 | 1    |          |       | ● | ● |  |  |  |  |  |
| 52   | 147.109 | 1297 304 149     | 42492496  | Reverse Gear 39 T      | 1    |          | BD    | ● | ● |  |  |  |  |  |
| 52   | 147.140 | 1297 304 148     | 42492294  | Reverse Gear 38 T      | 1    |          | CE    | ● | ● |  |  |  |  |  |
| 53   | 169.757 | 1297 304 381     | 93155824  | Thrust Washer          | 1    |          | BC    | ● | ● |  |  |  |  |  |
| 54   | 157.177 | 1297 304 187     | 7982266   | Sun Gear 27 T          | 1    |          | BC    | ● | ● |  |  |  |  |  |
| 55   | 157.198 | 1297 304 439     | 8198815   | Sun Gear 24 T          | 1    |          | DE    | ● | ● |  |  |  |  |  |
| 56   | 188.076 | 1272 304 021     | 42480849  | Stop Washer            | 1    |          |       | ● | ● |  |  |  |  |  |
| 57   |         | 0730 061 842     | 2980534   | Oil Tube               | 1    |          |       | ● | ● |  |  |  |  |  |
| 58   |         | 1297 301 004     | 7982244   | Oil Collector          | 1    |          |       | ● | ● |  |  |  |  |  |
| 59   | 130.702 | 0750 118 006     | 7982095   | Bearing D.65x140x33    | 1    |          | BC    | ● | ● |  |  |  |  |  |
| 59   | 130.703 | 0750 118 180     | 1905030   | Bearing D.80x140x33    | 1    |          | DE    | ● | ● |  |  |  |  |  |
| 60   | 130.242 | 0750 117 010     | 42492259  | Bearing D.50,80x100x35 | 1    |          |       | ● | ● |  |  |  |  |  |
| 61   | 146.383 | 1297 303 074     | 93158425  | Constant Gear 31 T     | 1    |          | B     | ● | ● |  |  |  |  |  |
| 61   | 146.322 | 1297 303 066     | 8190715   | Constant Gear 34 T     | 1    |          | C     | ● | ● |  |  |  |  |  |
| 61   | 146.319 | 1297 303 098     | 93157141  | Constant Gear 32 T     | 1    |          | D     | ● | ● |  |  |  |  |  |
| 61   | 146.321 | 1297 303 086     | 8198799   | Constant Gear 35 T     | 1    |          | E     | ● | ● |  |  |  |  |  |
| 62   | 146.382 | 1297 303 072     | 93158425  | Gear 4th Speed 34 T    | 1    |          | B     | ● | ● |  |  |  |  |  |
| 62   | 146.381 | 1297 303 065     | 8190716   | Gear 4th Speed 31 T    | 1    |          | C     | ● | ● |  |  |  |  |  |
| 62   | 146.415 | 1297 303 097     | 42531627  | Gear 4th Speed 35 T    | 1    |          | D     | ● | ● |  |  |  |  |  |
| 62   | 146.416 | 1297 303 123     | 8198800   | Gear 4th Speed 32 T    | 1    |          | E     | ● | ● |  |  |  |  |  |
| 63   | 146.357 | 1297 303 073     | 7982250   | Gear 3rd Speed 28 T    | 1    |          | BD    | ● | ● |  |  |  |  |  |

## Notes

- (3) To be coupled together with Fig. 4 - 0730 061 816  
 (4) To be coupled together with Fig. 4 - 0730 062 579

## Date

03 / 2006

## Table

010 / A

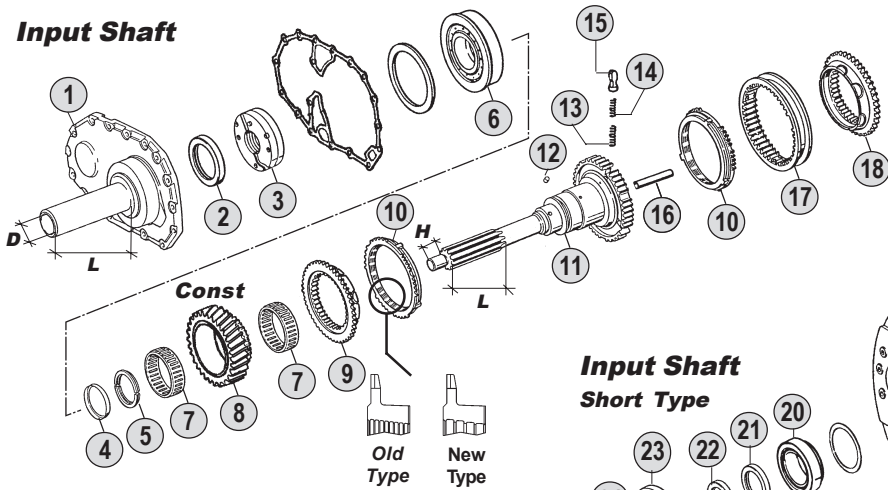
All original equipment manufacturers numbers, symbols, pictures, models and description used in this catalogue are for reference only, and it is not implied that any part listed is the product of these manufactures.  
 Tutti i nostri particolari non sono originali ma con essi intercambiabili. I riferimenti originali, le figure, i modelli sono esposti a semplice titolo indicativo. La nostra produzione riporta il nostro marchio.



Suitable To : **ZF**

**16S160/1 - 16S190/1**

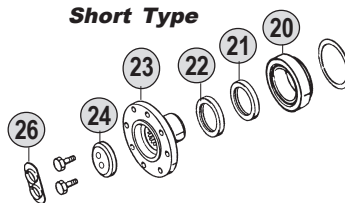
**Input Shaft**



**Springs & Slides Kits**

|               |               |               |
|---------------|---------------|---------------|
| x 3           | x 6           | x 9           |
| x 3           | x 6           | x 9           |
| x 3           | x 6           | x 9           |
| <b>Kit 70</b> | <b>Kit 71</b> | <b>Kit 72</b> |

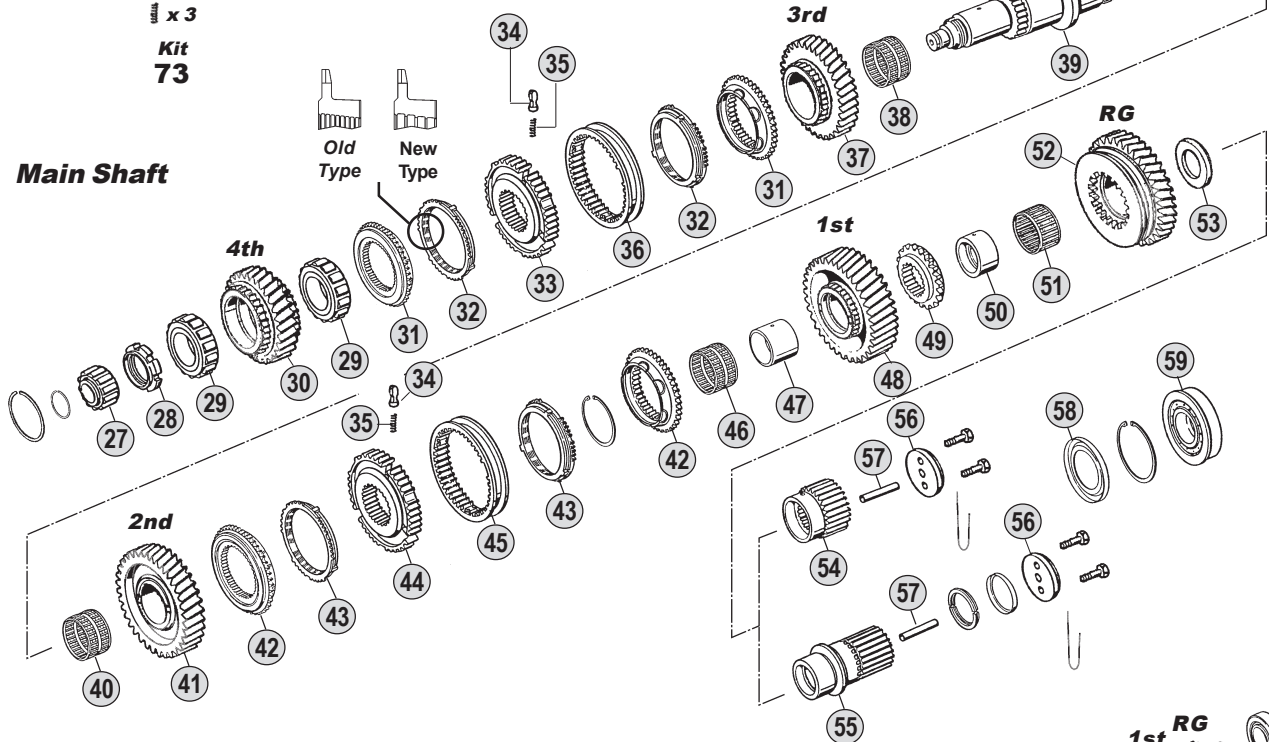
**Input Shaft Short Type**



**Springs & Slides Kits**

|               |
|---------------|
| x 3           |
| x 3           |
| <b>Kit 73</b> |

**Main Shaft**

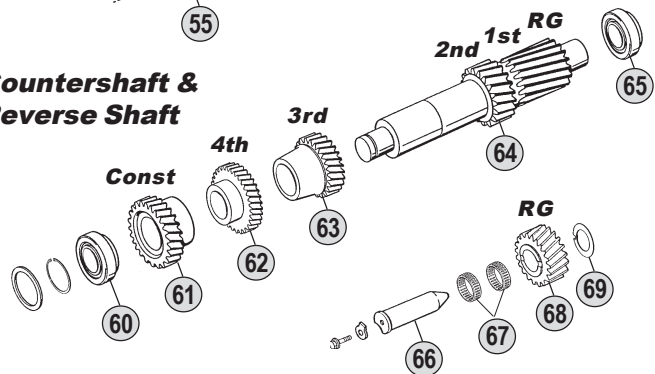


**Kits**



66

**Countershaft & Reverse Shaft**



**Ratios**

|                      |                  |                  |                  |                |
|----------------------|------------------|------------------|------------------|----------------|
| <b>16S160/1 A:--</b> | B : 11,46 - 0,85 | C : 13,68 - 1,00 | D : 14,29 - 0,82 | E : 17,06-1,00 |
| <b>16S190/1 A:--</b> | B : 11,46 - 0,85 | C : 13,68 - 1,00 | D : 14,29 - 0,82 | E : 17,06-1,00 |

All original equipment manufacturers' numbers, symbols, pictures, models and description used in this catalogue are for reference only, and it is not implied that any part listed is the product of these manufactures. Tutti i nostri particolari non sono originali ma con essi intercambiabili. I riferimenti originali, le figure, i modelli sono esposti a semplice titolo indicativo. La nostra produzione riporta il nostro marchio.

| Fig. | CEI no. | O.E.M. Reference |           | Description               | Q.ty | Note | Ratio | 16S160/1 (1297) |   |  |  | 16S190/1 (1297) |  |  |  |  |  |  |  |
|------|---------|------------------|-----------|---------------------------|------|------|-------|-----------------|---|--|--|-----------------|--|--|--|--|--|--|--|
|      |         | ZF no.           | IVECO no. |                           |      |      |       |                 |   |  |  |                 |  |  |  |  |  |  |  |
| 63   | 146.421 | 1297 303 067     | 8190714   | Gear 3rd Speed 25 T       | 1    |      | C     | ●               | ● |  |  |                 |  |  |  |  |  |  |  |
| 63   | 146.422 | 1297 303 132     | 8198798   | Gear 3rd Speed 26 T       | 1    |      | E     | ●               | ● |  |  |                 |  |  |  |  |  |  |  |
| 64   | 105.092 | 1297 303 075     | 7982253   | Countershaft 19-23 T      | 1    |      | BD    | ●               | ● |  |  |                 |  |  |  |  |  |  |  |
| 64   | 105.093 | 1297 303 140     | 8198794   | Countershaft 17-20 T      | 1    |      | CE    | ●               | ● |  |  |                 |  |  |  |  |  |  |  |
| 65   | 130.308 | 0750 117 009     | 7982090   | Bearing D.49,2x103,1x43,6 | 1    |      |       | ●               | ● |  |  |                 |  |  |  |  |  |  |  |
| 66   | 107.108 | 1295 305 056     | 8121930   | Reverse Gear Pin          | 1    |      |       | ●               | ● |  |  |                 |  |  |  |  |  |  |  |
| 67   | 137.007 | 0750 115 011     | 7982086   | Needle Cage D.45x53x21    | 2    |      |       | ●               | ● |  |  |                 |  |  |  |  |  |  |  |
| 68   | 147.133 | 1295 305 051     | 42492574  | Reverse Gear 21 T         | 1    |      | BD    | ●               | ● |  |  |                 |  |  |  |  |  |  |  |
| 68   | 147.094 | 1295 305 052     | 42492275  | Reverse Gear 24 T         | 1    |      | CE    | ●               | ● |  |  |                 |  |  |  |  |  |  |  |
| 69   | 169.234 | 0730 150 064     | 1274314   | Thrust Washer             | 1    |      |       | ●               | ● |  |  |                 |  |  |  |  |  |  |  |
| 70   | 198.339 | 1268 298 938     |           | Spring Slide Set          | 1    |      |       | ●               | ● |  |  |                 |  |  |  |  |  |  |  |
| 71   | 198.564 | CEI 198564       |           | Spring Slide Set          | 1    |      |       | ●               | ● |  |  |                 |  |  |  |  |  |  |  |
| 72   | 198.842 | 1295 298 933     |           | Spring Slide Set          | 1    |      |       | ●               | ● |  |  |                 |  |  |  |  |  |  |  |
| 73   | 198.843 | CEI 198843       |           | Spring Slide Set          | 1    |      |       | ●               | ● |  |  |                 |  |  |  |  |  |  |  |
| 74   | 198.428 | 1295 298 960     | 8124710   | Oil Seal Ring Kit         | 1    |      |       | ●               | ● |  |  |                 |  |  |  |  |  |  |  |
| 75   | 198.427 | 1295 298 915     | 8124709   | Gasket Kit                | 1    |      |       | ●               | ● |  |  |                 |  |  |  |  |  |  |  |

ECO I

From 16S160/1  
To 16S190/1

## Notes

- (3) To be coupled together with Fig. 4 - 0730 061 816  
 (4) To be coupled together with Fig. 4 - 0730 062 579

## Date

03 / 2006

## Table

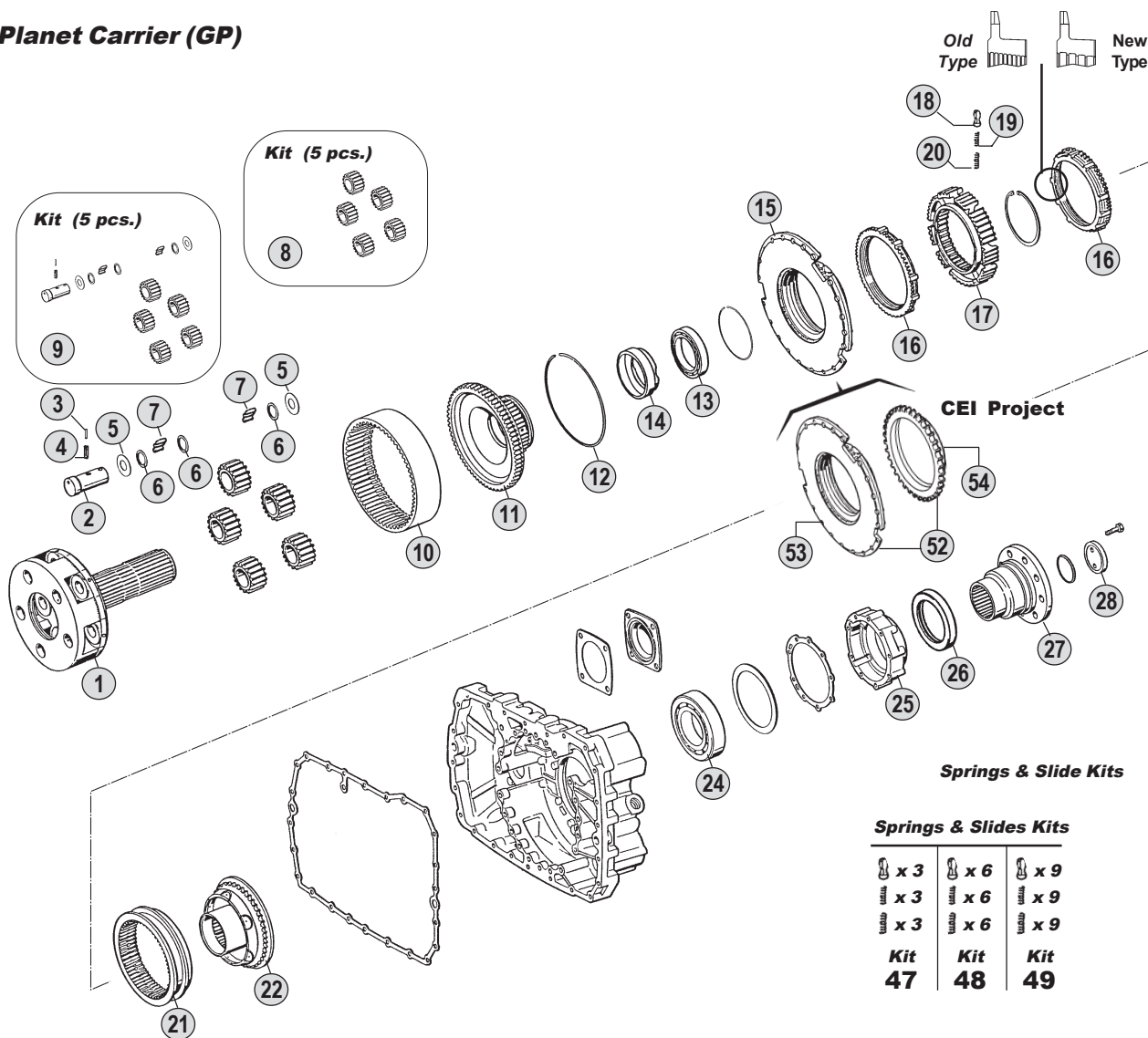
010 / A

All original equipment manufacturers numbers, symbols, pictures, models and description used in this catalogue are for reference only, and it is not implied that any part listed is the product of these manufactures.  
 Tutti i nostri particolari non sono originali ma con essi intercambiabili. I riferimenti originali, le figure, i modelli sono esposti a semplice titolo indicativo. La nostra produzione riporta il nostro marchio.

Suitable To : **ZF**

**16S160/1 - 16S190/1**

**Planet Carrier (GP)**

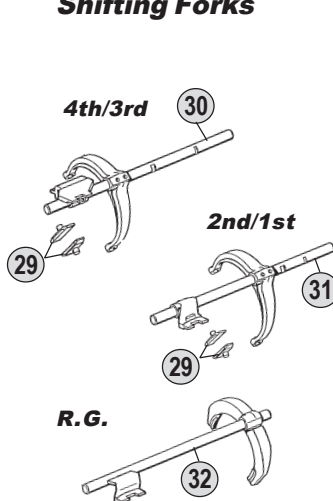


**Sprockets & Slide Kits**

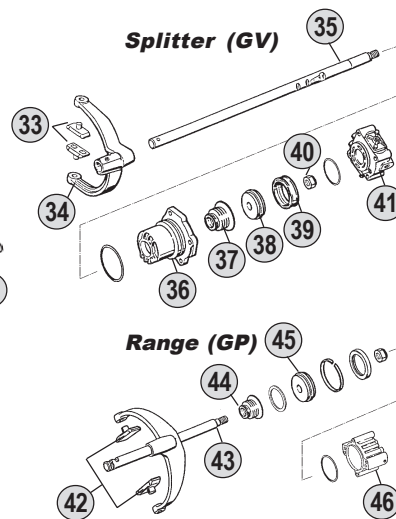
**Sprockets & Slides Kits**

|               |               |               |
|---------------|---------------|---------------|
| x 3           | x 6           | x 9           |
| x 3           | x 6           | x 9           |
| x 3           | x 6           | x 9           |
| <b>Kit 47</b> | <b>Kit 48</b> | <b>Kit 49</b> |

**Shifting Forks**



**Splitter (GV)**



**Kits**



**Ratios**

|                       |                         |                         |                         |                         |
|-----------------------|-------------------------|-------------------------|-------------------------|-------------------------|
| <b>16S160/1 A</b> :-- | <b>B</b> : 11,46 - 0,85 | <b>C</b> : 13,68 - 1,00 | <b>D</b> : 14,29 - 0,82 | <b>E</b> : 17,06 - 1,00 |
| <b>16S190/1 A</b> :-- | <b>B</b> : 11,46 - 0,85 | <b>C</b> : 13,68 - 1,00 | <b>D</b> : 14,29 - 0,82 | <b>E</b> : 17,06 - 1,00 |

All original equipment manufacturers' numbers, symbols, pictures, models and description used in this catalogue are for reference only, and it is not implied that any part listed is the product of these manufactures. Tutti i nostri particolari non sono originali ma con essi intercambiabili. I riferimenti originali, le figure, i modelli sono esposti a semplice titolo indicativo. La nostra produzione riporta il nostro marchio.

| Fig. | O.E.M. Reference |              | Description | Q.ty                            | Note | Ratio    |           |                 |                 |  |  |  |  |
|------|------------------|--------------|-------------|---------------------------------|------|----------|-----------|-----------------|-----------------|--|--|--|--|
|      | CEI no.          | ZF no.       |             |                                 |      |          | IVECO no. | 16S160/1 (1297) | 16S190/1 (1297) |  |  |  |  |
| 1    | 190.396          | 1297 232 039 | 8194344     | Planetary Carrier               | 1    |          | BC        | ●               | ●               |  |  |  |  |
| 1    | 190.395          | 1297 232 045 | 93157145    | Planetary Carrier               | 1    |          | DE        | ●               | ●               |  |  |  |  |
| 1    |                  | 1316 232 005 | 42536093    | Planetary Carrier               | 1    | (5)      | E         |                 | ●               |  |  |  |  |
| 2    | 107.163          | 1297 332 109 | 8190756     | Planet Shaft                    | 5    |          |           | ●               | ●               |  |  |  |  |
| 2    | 107.165          | 1312 332 026 | 8198829     | Planet Shaft                    | 5    | (5)      |           |                 | ●               |  |  |  |  |
| 3    | 160.191          | 0631 329 017 | 9920765     | Lock Pin D.3x24                 | 5    |          |           | ●               | ●               |  |  |  |  |
| 3    | 160.195          | 0631 329 167 | 93191213    | Lock Pin D.3x26                 | 5    | (5)      |           |                 | ●               |  |  |  |  |
| 4    | 160.192          | 0631 329 050 | 8195251     | Lock Pin D.5x24                 | 5    |          |           | ●               | ●               |  |  |  |  |
| 4    | 160.194          | 0631 329 051 | 93191212    | Lock Pin D.5x26                 | 5    | (5)      |           |                 | ●               |  |  |  |  |
| 5    | 169.753          | 0501 306 212 | 7981912     | Thrust Washer D.29x64x1,5       | 10   |          |           | ●               | ●               |  |  |  |  |
| 5    | 169.759          | 0501 308 981 | 93156113    | Thrust Washer                   | 10   | (5)      |           |                 | ●               |  |  |  |  |
| 6    | 169.410          | 0730 103 846 | 42484076    | Spacer Ring D.29x39x1,00        | 15   |          |           | ●               | ●               |  |  |  |  |
| 6    | 169.744          | 0730 107 168 | 8198826     | Spacer Ring                     | 15   | (5)      |           |                 | ●               |  |  |  |  |
| 7    | 171.045          | 0750 119 109 | 93157146    | Roller Set D.10x16,80 (120 pcs) | 120  |          |           | ●               | ●               |  |  |  |  |
| 7    | 171.062          | 0750 119 116 | 93191132    | Roller D.10x16,8                | 140  | (5)      |           |                 | ●               |  |  |  |  |
| 8    | 198.803          | 1297 232 023 | 7982241     | Planetary Gear Set (5 pcs)      | 1    |          | BC        | ●               | ●               |  |  |  |  |
| 8    | 198.810          | 1297 232 024 | 93156046    | Planetary Gear Set (5 pcs)      | 1    |          | DE        | ●               | ●               |  |  |  |  |
| 8    | 198.801          | 1312 232 014 | 8198825     | Planetary Gear Set (5 pcs)      | 1    | (5)      | E         |                 | ●               |  |  |  |  |
| 9    | 198.704          | 1297 298 912 |             | Planetary Gear Set              | 1    |          | BC        | ●               | ●               |  |  |  |  |
| 9    |                  | 1297 298 919 |             | Planetary Gear Set              | 1    |          | DE        | ●               | ●               |  |  |  |  |
| 10   | 123.217          | 1297 332 080 | 8121936     | Crown Gear 83 T                 | 1    |          | BC        | ●               | ●               |  |  |  |  |
| 10   | 123.208          | 1295 332 086 | 8198832     | Crown Gear 86 T                 | 1    |          | DE        | ●               | ●               |  |  |  |  |
| 11   | 150.138          | 1297 332 017 | 7982273     | Flange Gear 83 T                | 1    |          | BC        | ●               | ●               |  |  |  |  |
| 11   | 150.137          | 1297 332 035 | 93156047    | Flange Gear 86 T                | 1    |          | DE        | ●               | ●               |  |  |  |  |
| 11   | 150.134          | 1297 332 120 | 8198830     | Flange Gear 86 T                | 1    | (5)      | E         |                 | ●               |  |  |  |  |
| 12   | 111.129          | 0730 505 055 | 42492409    | Locking Wire                    | 1    |          | BC        | ●               | ●               |  |  |  |  |
| 12   | 111.198          | 0730 505 056 | 8198833     | Locking Wire                    | 1    |          | DE        | ●               | ●               |  |  |  |  |
| 13   | 130.310          | 0750 116 165 | 42492449    | Bearing D.80x110x16             | 1    |          |           | ●               | ●               |  |  |  |  |
| 13   | 130.311          | 0635 338 035 | 8195468     | Bearing D.100x125x13            | 1    | (5)      |           |                 | ●               |  |  |  |  |
| 14   |                  | 1297 332 002 | 42492428    | Ring                            | 1    |          |           | ●               | ●               |  |  |  |  |
| 15   | 198.358          | 1296 233 006 | 7982213     | Synchronizer Cone               | 1    |          |           | ●               | ●               |  |  |  |  |
| 16   | 119.085          | 1296 333 022 | 7982226     | Synchronizer Ring               | 2    | Old Type |           | ●               | ●               |  |  |  |  |
| 16   | 119.172          | 1296 333 045 | 42532826    | Synchronizer Ring               | 2    | New Type |           | ●               | ●               |  |  |  |  |
| 17   | 157.113          | 1296 333 002 | 7982225     | Synchronizer Hub                | 1    |          |           | ●               | ●               |  |  |  |  |
| 17   | 157.183          | 1297 333 115 | 8198839     | Synchronizer Hub                | 1    | (5)      |           |                 | ●               |  |  |  |  |
| 18   | 160.116          | 1240 304 278 | 2960200     | Pressure Piece                  | 9    |          |           | ●               | ●               |  |  |  |  |
| 19   | 156.036          | 0732 040 386 | 9931785     | Inner Spring De.3x34            | 9    |          |           | ●               | ●               |  |  |  |  |
| 20   | 156.037          | 0732 040 385 | 8832940     | Outer Spring De.6x34            | 9    |          |           | ●               | ●               |  |  |  |  |
| 21   | 154.098          | 1296 333 023 | 7982227     | Sliding Sleeve                  | 1    |          |           | ●               | ●               |  |  |  |  |
| 22   | 198.374          | 1313 233 001 | 93156049    | Synchronizer Cone (38 Spl.)     | 1    |          |           | ●               | ●               |  |  |  |  |
| 22   | 198.790          | 1297 233 056 | 8198840     | Synchronizer Cone (41 spl.)     | 1    | (5)      |           |                 | ●               |  |  |  |  |
| 24   | 130.245          | 0750 116 002 | 7982088     | Bearing D.90x160x30             | 1    |          |           | ●               | ●               |  |  |  |  |
| 25   |                  | 1296 301 067 | 7982221     | Cover                           | 1    |          |           | ●               |                 |  |  |  |  |
| 25   | 128.098          | 1315 301 220 | 8198822     | Cover                           | 1    |          |           | ●               |                 |  |  |  |  |
| 25   |                  | 1296 301 067 | 7982221     | Cover                           | 1    |          |           | ●               |                 |  |  |  |  |

## Notes

(5) New Reinforced Style. Use items marked (5) together

## Date

03 / 2006

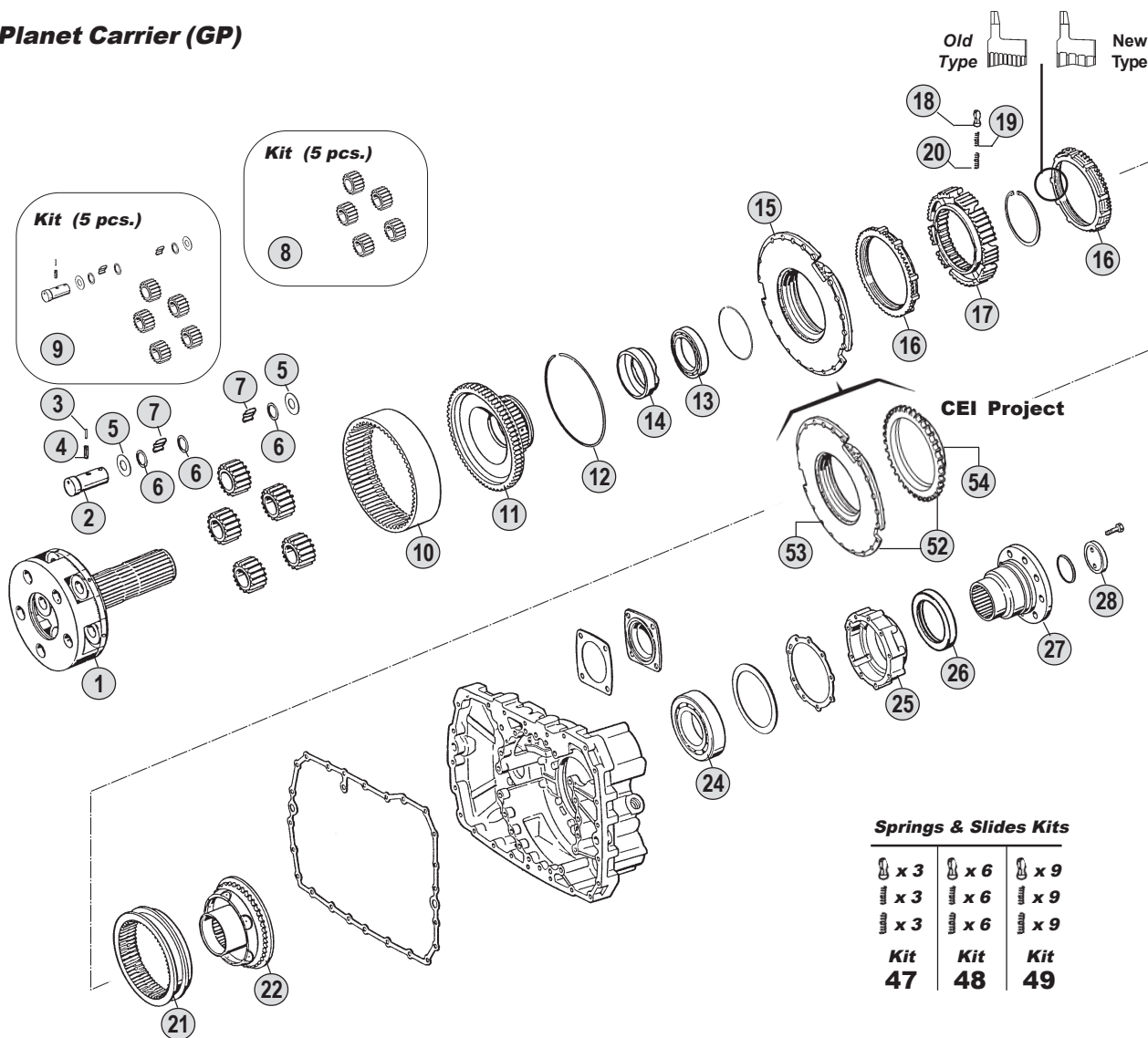
## Table

010 / B

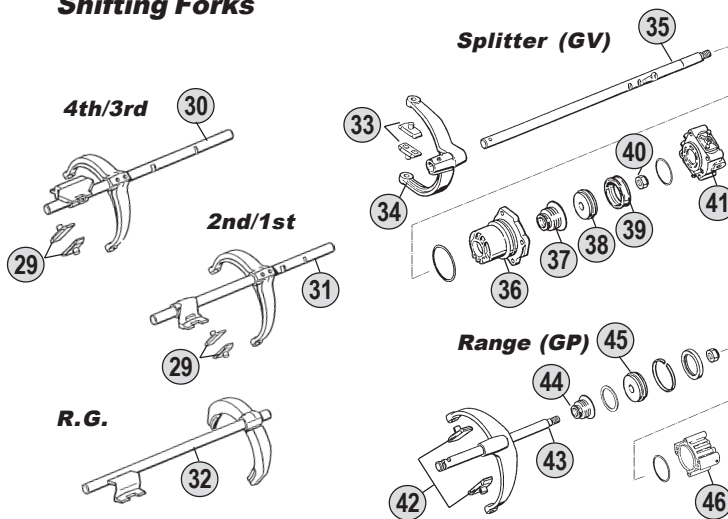
Suitable To : **ZF**

**16S160/1 - 16S190/1**

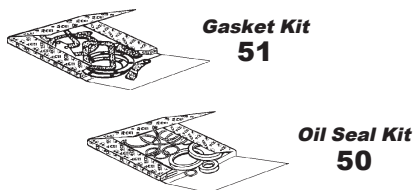
**Planet Carrier (GP)**



**Shifting Forks**



**Kits**



**Ratios**

|                       |                         |                         |                         |                         |
|-----------------------|-------------------------|-------------------------|-------------------------|-------------------------|
| <b>16S160/1 A</b> :-- | <b>B</b> : 11,46 - 0,85 | <b>C</b> : 13,68 - 1,00 | <b>D</b> : 14,29 - 0,82 | <b>E</b> : 17,06 - 1,00 |
| <b>16S190/1 A</b> :-- | <b>B</b> : 11,46 - 0,85 | <b>C</b> : 13,68 - 1,00 | <b>D</b> : 14,29 - 0,82 | <b>E</b> : 17,06 - 1,00 |

All original equipment manufacturers' numbers, symbols, pictures, models and description used in this catalogue are for reference only, and it is not implied that any part listed is the product of these manufactures. Tutti i nostri particolari non sono originali ma con essi intercambiabili. I riferimenti originali, le figure, i modelli sono esposti a semplice titolo indicativo. La nostra produzione riporta il nostro marchio.

| Fig. | CEI no. | O.E.M. Reference |           | Description             | Q.ty | Note              | Ratio |                 |                 |  |  |
|------|---------|------------------|-----------|-------------------------|------|-------------------|-------|-----------------|-----------------|--|--|
|      |         | ZF no.           | IVECO no. |                         |      |                   |       | 16S160/1 (1297) | 16S190/1 (1297) |  |  |
| 25   | 128.098 | 1315 301 220     | 8198822   | Cover                   | 1    | (5)               |       | ●               |                 |  |  |
| 26   |         | 0750 111 341     | 93194330  | Oil Seal 105x130x12     | 1    |                   |       | ●               | ●               |  |  |
| 27   |         | 1297 338 041     | 93156094  | Output Flange           | 1    | D.180-4H.         |       | ●               | ●               |  |  |
| 27   |         | 1297 333 110     | 93156114  | Output Flange           | 1    | D.180-4H. (5)     |       |                 | ●               |  |  |
| 28   | 188.077 | 1295 332 051     | 7982207   | Stop Washer             | 1    |                   |       | ●               | ●               |  |  |
| 28   |         | 1312 332 028     | 8198837   | Stop Washer             | 1    | (5)               |       |                 | ●               |  |  |
| 29   | 141.163 | 1297 306 120     | 8198817   | Slide                   | 2    |                   |       | ●               | ●               |  |  |
| 30   |         | 1297 206 103     | 8198887   | Fork                    | 1    |                   |       | ●               | ●               |  |  |
| 31   |         | 1297 206 106     | 8195004   | Fork                    | 1    |                   |       | ●               | ●               |  |  |
| 32   |         | 1297 206 174     | 93156041  | Fork                    | 1    |                   |       | ●               | ●               |  |  |
| 33   | 141.068 | 1295 306 132     | 8121941   | Bronze Slide            | 2    |                   |       | ●               | ●               |  |  |
| 34   |         | 1313 312 002     | 93156532  | Fork                    | 1    |                   |       | ●               | ●               |  |  |
| 35   |         | 1297 312 008     |           | Selector Rod            | 1    |                   |       | ●               | ●               |  |  |
| 36   | 132.046 | 1296 312 042     | 8123433   | Cylinder                | 1    |                   |       | ●               | ●               |  |  |
| 37   | 139.331 | 0750 112 034     | 8190753   | Cap Collar D.25x38x14,2 | 1    |                   |       | ●               | ●               |  |  |
| 38   | 189.421 | 1296 312 053     | 8193708   | Piston                  | 1    |                   |       | ●               | ●               |  |  |
| 39   |         | 0750 112 089     | 8194836   | Ring 53x63x16,2         | 1    |                   |       | ●               | ●               |  |  |
| 40   |         | 0737 006 095     | 93190550  | Nut                     | 1    |                   |       | ●               | ●               |  |  |
| 41   |         | 0750 132 032     |           | Cylinder                | 1    |                   |       | ●               | ●               |  |  |
| 41   |         | 0750 132 033     | 8121938   | Cylinder                | 1    |                   |       | ●               | ●               |  |  |
| 42   | 141.085 | 1296 334 004     | 7982228   | Bronze Slide            | 2    |                   |       | ●               | ●               |  |  |
| 43   | 149.171 | 1312 234 002     | 93190033  | Fork Lever              | 1    |                   |       | ●               | ●               |  |  |
| 44   | 139.331 | 0750 112 034     | 8190753   | Cap Collar D.25x38x14,2 | 1    |                   |       | ●               | ●               |  |  |
| 45   | 189.422 | 1296 334 039     | 42492447  | Piston                  | 1    |                   |       | ●               | ●               |  |  |
| 45   |         | 1297 334 056     | 8198841   | Piston                  | 1    | (5)               |       |                 | ●               |  |  |
| 46   | 132.047 | 1295 334 075     | 7982230   | Cylinder                | 1    |                   |       | ●               | ●               |  |  |
| 46   |         | 1297 334 055     | 8198844   | Cylinder                | 1    | (5)               |       |                 | ●               |  |  |
| 47   | 198.339 | 1268 298 938     |           | Spring Slide Set        | 1    |                   |       | ●               | ●               |  |  |
| 48   | 198.564 | CEI 198564       |           | Spring Slide Set        | 1    |                   |       | ●               | ●               |  |  |
| 49   | 198.842 | 1295 298 933     |           | Spring Slide Set        | 1    |                   |       | ●               | ●               |  |  |
| 50   | 198.428 | 1295 298 960     | 8124710   | Oil Seal Ring Kit       | 1    |                   |       | ●               | ●               |  |  |
| 51   | 198.427 | 1295 298 915     | 8124709   | Gasket Kit              | 1    |                   |       | ●               | ●               |  |  |
| 52   | 198.856 | CEI 198856       |           | Synchronizer cone kit   | 1    | Can repl. fig. 15 |       | ●               | ●               |  |  |
| 53   | 135.128 | CEI 135128       |           | Saddle Plate            | 1    | Use with fig. 54  |       | ●               | ●               |  |  |
| 54   | 109.174 | 1296 333 050     | 42535041  | Synchronizer Cone       | 1    | Use with fig. 53  |       | ●               | ●               |  |  |

ECO I

From 16S160/1  
To 16S190/1

## Notes

(5) New Reinforced Style. Use items marked (5) together

## Date

03 / 2006

## Table

010 / B



suitable to :

**Z.F.****EcoSplit II****From 16S150 to 16S220****Application**

|                 | 16S150<br>(1313) | 16S220<br>(1312) |  |  |
|-----------------|------------------|------------------|--|--|
| <b>MERCEDES</b> |                  |                  |  |  |
| <b>MAN</b>      |                  |                  |  |  |
| <b>IVECO</b>    |                  |                  |  |  |
| <b>RVI</b>      |                  |                  |  |  |
| <b>DAF</b>      |                  |                  |  |  |
| <b>VOLVO</b>    |                  |                  |  |  |

**Ratios**

|               | R.10,14-0,72<br><b>A</b> | R.13,80-0,84<br><b>B</b> | R.16,47-1,00<br><b>C</b> |  |  |
|---------------|--------------------------|--------------------------|--------------------------|--|--|
| <b>16S150</b> |                          |                          |                          |  |  |
| <b>16S220</b> |                          |                          |                          |  |  |
|               |                          |                          |                          |  |  |
|               |                          |                          |                          |  |  |

All original equipment manufacturers numbers, symbols, pictures, models and description used in this catalogue are for reference only, and it is not implied that any part listed is the product of these manufactures. Tutti i nostri particolari non sono originali ma con essi intercambiabili. I riferimenti originali, le figure, i modelli sono esposti a semplice titolo indicativo. La nostra produzione riporta il nostro marchio.

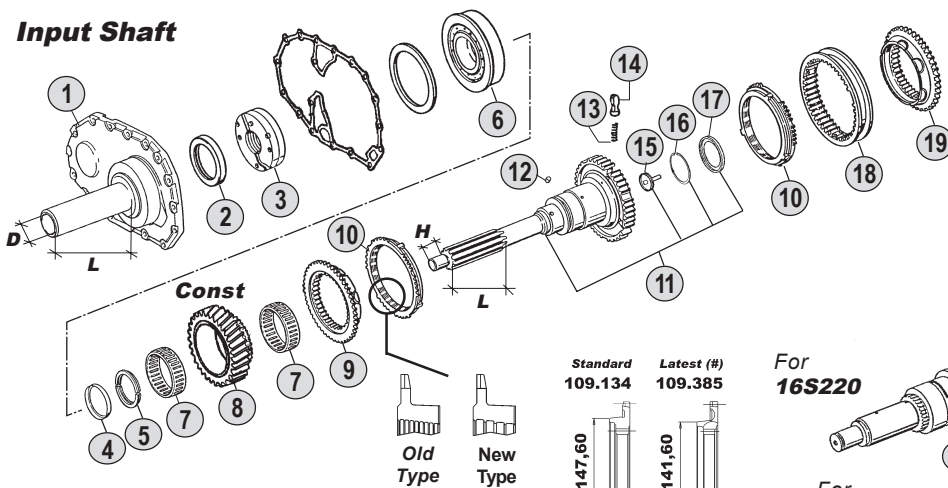
**ECO II**  
From 16S150  
To 16S220



Suitable To : **ZF**

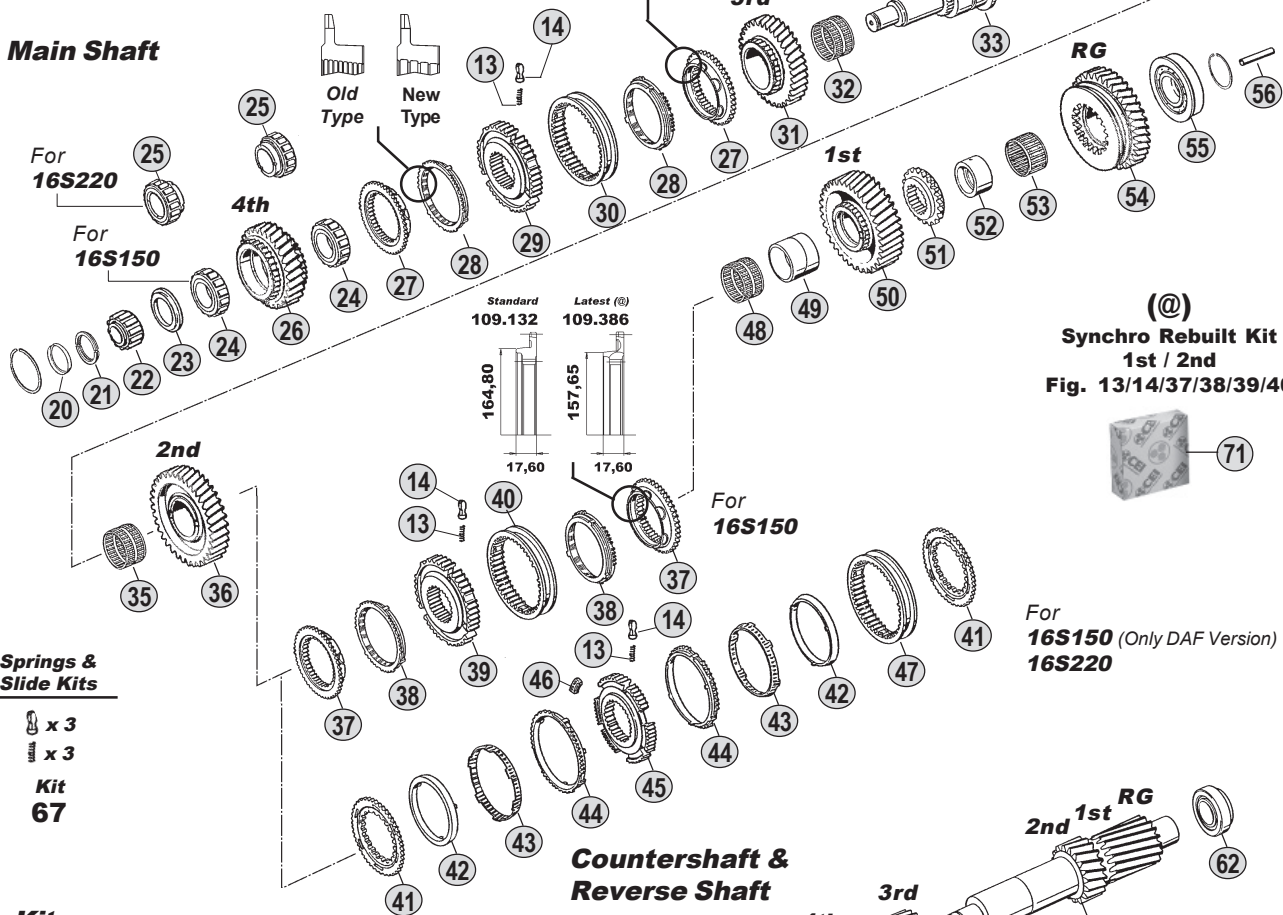
**Gearbox Models**  
**16S150 - 16S220**

**Input Shaft**



**(#)**  
**Synchro Rebuilt Kit**  
**4th / 3rd**  
**Fig. 13/14/27/28/29/30**

**Main Shaft**



**(@)**  
**Synchro Rebuilt Kit**  
**1st / 2nd**  
**Fig. 13/14/37/38/39/40**

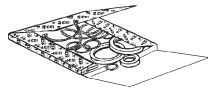
**Springs & Slide Kits**

- x 3
- x 3
- Kit**
- 67**

**Kits**

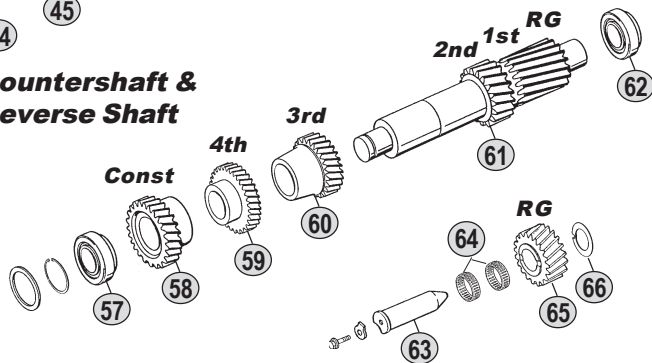


**Gasket Kit**  
**69**



**Oil Seal Kit**  
**68**

**Countershaft & Reverse Shaft**



**Ratios**

|               |                 |                 |                 |
|---------------|-----------------|-----------------|-----------------|
| <b>16S150</b> | A:--            | B: 13,80 - 0,84 | C: 16,47 - 1,00 |
| <b>16S220</b> | A: 10,14 - 0,72 | B: 13,80 - 0,84 | C: 16,47 - 1,00 |

All original equipment manufacturers' numbers, symbols, pictures, models and description used in this catalogue are for reference only, and it is not implied that any part listed is the product of these manufactures. Tutti i nostri particolari non sono originali ma con essi intercambiabili. I riferimenti originali, le figure, i modelli sono esposti a semplice titolo indicativo. La nostra produzione riporta il nostro marchio.

| Fig. | CEI no.        | O.E.M. Reference |           | Description                | Q.ty | Note             | Ratio |               |               |  |  |  |  |  |
|------|----------------|------------------|-----------|----------------------------|------|------------------|-------|---------------|---------------|--|--|--|--|--|
|      |                | ZF no.           | IVECO no. |                            |      |                  |       | 16S150 (1313) | 16S220 (1312) |  |  |  |  |  |
| 1    |                | 1312 302 047     | 93156405  | Front Cover                | 1    | L=170 - D=60     | ●     | ●             |               |  |  |  |  |  |
| 1    |                | 1312 302 054     |           | Front Cover                | 1    | L=190 - D=62     | ●     |               |               |  |  |  |  |  |
| 1    |                | 1312 302 044     | 93163888  | Front Cover                | 1    | L=190 - D=62,611 | ●     | ●             |               |  |  |  |  |  |
| 2    | 139.754        | 0734 310 386     | 42533218  | Oil Seal 55x75x8           | 1    |                  | ●     | ●             |               |  |  |  |  |  |
| 3    | <b>280.348</b> | 1295 202 041     | 8190359   | Oil Pump                   | 1    |                  | ●     | ●             |               |  |  |  |  |  |
| 4    | 169.754        | 0730 061 816     | 9931723   | Securing Ring              | 1    |                  | ●     | ●             |               |  |  |  |  |  |
| 5    |                | 0730 106 168     | 8196975   | Split Ring                 | 1    | S.4,30 mm        | ●     | ●             |               |  |  |  |  |  |
| 5    |                | 0730 106 158     | 8196965   | Split Ring                 | 1    | S.3,80 mm        | ●     | ●             |               |  |  |  |  |  |
| 6    | <b>130.306</b> | 0750 117 431     | 1905101   | Bearing D.75x150x30,50     | 1    |                  | ●     | ●             |               |  |  |  |  |  |
| 7    | 137.148        | 0750 115 310     | 1905327   | Needle Cage D.93x101x25    | 1    |                  | ●     |               |               |  |  |  |  |  |
| 7    | <b>137.134</b> | 0735 321 438     | 1905493   | Needle Cage D.93x101x32,50 | 1    |                  |       | ●             |               |  |  |  |  |  |
| 8    | <b>145.557</b> | 1313 302 036     |           | Constant Gear 34 T         | 1    |                  | ●     |               |               |  |  |  |  |  |
| 8    | 145.525        | 1313 302 035     | 93163889  | Constant Gear 30 T         | 1    |                  | ●     |               |               |  |  |  |  |  |
| 8    |                | 1312 302 077     |           | Constant Gear 28 T         | 1    |                  |       | ●             |               |  |  |  |  |  |
| 8    | <b>145.491</b> | 1312 302 073     |           | Constant Gear 34 T         | 1    |                  |       | ●             |               |  |  |  |  |  |
| 8    | 145.490        | 1312 302 074     | 93160317  | Constant Gear 30 T         | 1    |                  |       | ●             |               |  |  |  |  |  |
| 9    | <b>109.134</b> | 1312 304 027     | 93156419  | Synchronizer Cone          | 1    |                  | ●     | ●             |               |  |  |  |  |  |
| 10   | <b>119.119</b> | 1297 304 402     | 93159684  | Synchronizer Ring          | 2    | Old Type         | ●     | ●             |               |  |  |  |  |  |
| 10   | <b>119.167</b> | 1297 304 484     | 42532487  | Synchronizer Ring          | 2    | New Type         | ●     | ●             |               |  |  |  |  |  |
| 11   | 102.242        | 1313 202 014     | 93163885  | Input Shaft                | 1    |                  | ●     |               |               |  |  |  |  |  |
| 11   | 102.238        | 1312 202 038     | 93190680  | Input Shaft                | 1    |                  |       | ●             |               |  |  |  |  |  |
| 12   |                | 0635 470 012     | 9931670   | Pin                        | 1    |                  | ●     | ●             |               |  |  |  |  |  |
| 13   | <b>156.140</b> | 0732 040 409     | 2967403   | Spring D.6,50x23,50        | 3    |                  | ●     | ●             |               |  |  |  |  |  |
| 14   | <b>160.189</b> | 1297 304 436     | 93156036  | Pressure Piece             | 3    |                  | ●     | ●             |               |  |  |  |  |  |
| 15   |                | 1312 302 095     | 42531659  | Tube                       | 1    |                  | ●     | ●             |               |  |  |  |  |  |
| 16   | 189.631        | 0630 502 027     | 9912558   | Ring                       | 1    |                  | ●     | ●             |               |  |  |  |  |  |
| 17   | 189.632        | 0501 320 435     | 93192003  | Diaphragm                  | 1    |                  | ●     | ●             |               |  |  |  |  |  |
| 18   | <b>154.135</b> | 1310 304 202     | 42534465  | Sliding Sleeve             | 1    |                  | ●     | ●             |               |  |  |  |  |  |
| 19   | <b>109.133</b> | 1312 304 056     | 93156418  | Synchronizer Cone          | 1    |                  | ●     | ●             |               |  |  |  |  |  |
| 20   |                | 0730 062 781     | 93156515  | Ring                       | 1    |                  | ●     | ●             |               |  |  |  |  |  |
| 21   |                | 0730 107 023     | 93156502  | Split Ring                 | 1    | S.5,00 mm        | ●     | ●             |               |  |  |  |  |  |
| 21   |                | 0730 107 019     | 93156506  | Split Ring                 | 1    | S.4,60 mm        | ●     | ●             |               |  |  |  |  |  |
| 22   | <b>137.150</b> | 0750 117 232     | 93156500  | Roller Cage D.42x40,30     | 1    |                  | ●     | ●             |               |  |  |  |  |  |
| 23   |                | 1315 304 051     | 93191192  | Ring                       | 1    | S.8,30 mm        | ●     | ●             |               |  |  |  |  |  |
| 24   | <b>137.156</b> | 0750 118 198     | 1905334   | Roller Cage D.67x101x32    | 1    |                  | ●     |               |               |  |  |  |  |  |
| 25   |                | 0750 118 258     | 1905369   | Roller Cage D.67x101x38    | 1    |                  |       | ●             |               |  |  |  |  |  |
| 26   | <b>146.476</b> | 1313 304 005     |           | Gear 4th Speed 30 T        | 1    |                  | ●     |               |               |  |  |  |  |  |
| 26   | 146.442        | 1296 304 131     | 93163903  | Gear 4th Speed 34 T        | 1    |                  | ●     |               |               |  |  |  |  |  |
| 26   |                | 1312 304 029     |           | Gear 4th Speed 30T         | 1    | (1)              |       | ●             |               |  |  |  |  |  |
| 26   | <b>146.425</b> | 1312 304 032     |           | Gear 4th Speed 30 T        | 1    |                  |       | ●             |               |  |  |  |  |  |
| 26   | 146.317        | 1312 304 031     | 93156492  | Gear 4th Speed 34 T        | 1    |                  |       | ●             |               |  |  |  |  |  |
| 27   | <b>109.134</b> | 1312 304 027     | 93156419  | Synchronizer Cone          | 2    |                  | ●     | ●             |               |  |  |  |  |  |
| 27   | <b>109.385</b> | 1316 304 159     |           | Synchronizer Cone          | 2    |                  | ●     | ●             |               |  |  |  |  |  |
| 28   | <b>119.119</b> | 1297 304 402     | 93159684  | Synchronizer Ring          | 2    | Old Type         | ●     | ●             |               |  |  |  |  |  |
| 28   | <b>119.167</b> | 1297 304 484     | 42532487  | Synchronizer Ring          | 2    | New Type         | ●     | ●             |               |  |  |  |  |  |

## Notes

(1) 16S220 Special Version - Ratio 10,14-0,72. For this version to use :  
4th Speed - Synchro Cone 1312 304 027 / 3rd Speed Synchro - Cone 1312 304 080

## Date

03 / 2006

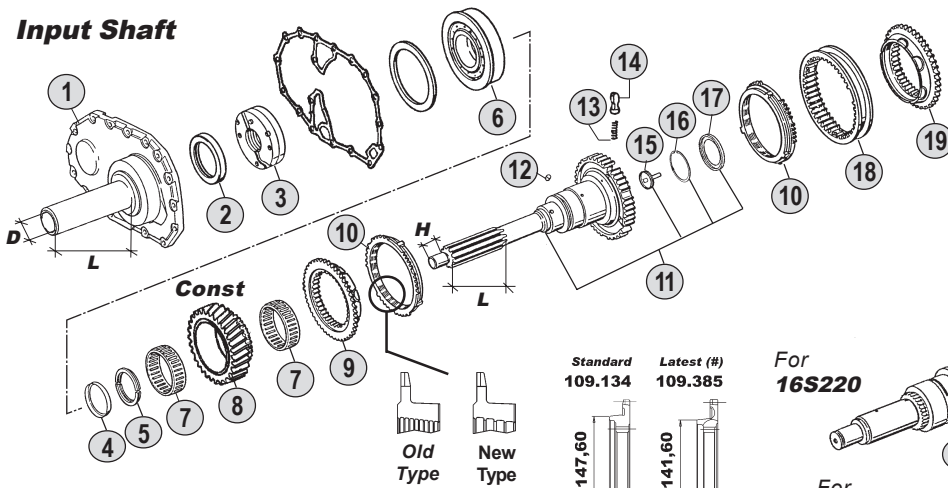
## Table

011 / A

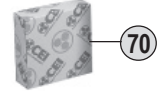
Suitable To : **ZF**

**16S150 - 16S220**

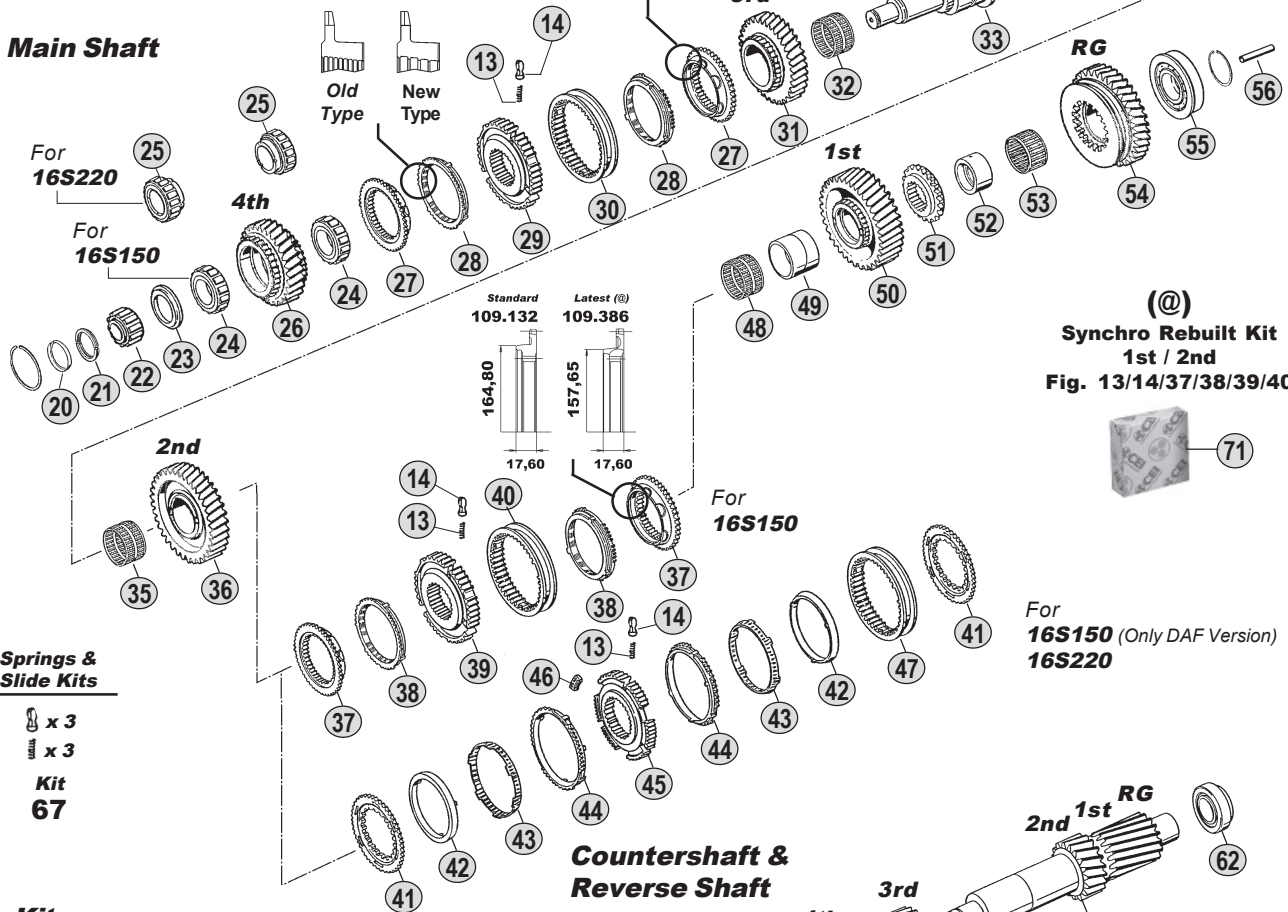
**Input Shaft**



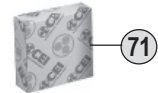
(#)  
**Synchro Rebuilt Kit**  
4th / 3rd  
Fig. 13/14/27/28/29/30



**Main Shaft**



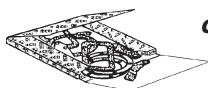
(@)  
**Synchro Rebuilt Kit**  
1st / 2nd  
Fig. 13/14/37/38/39/40



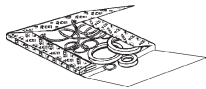
**Springs & Slide Kits**

- x 3
- x 3
- Kit**
- 67**

**Kits**

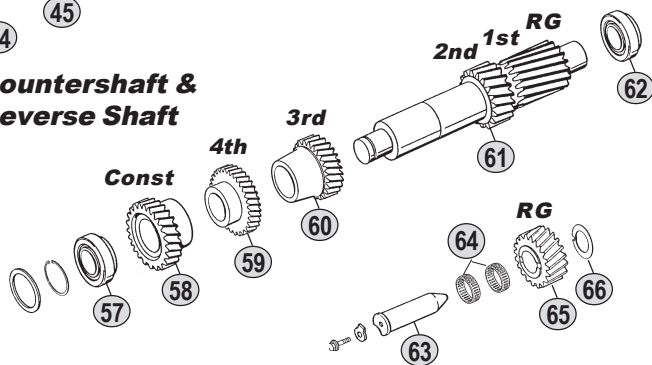


**Gasket Kit**  
**69**



**Oil Seal Kit**  
**68**

**Countershaft & Reverse Shaft**



**Ratios**

|               |              |                 |                 |
|---------------|--------------|-----------------|-----------------|
| <b>16S150</b> | A:--         | B: 13,80 - 0,84 | C: 16,47 - 1,00 |
| <b>16S220</b> | A:10,14-0,72 | B: 13,80 - 0,84 | C: 16,47 - 1,00 |

All original equipment manufacturers' numbers, symbols, pictures, models and description used in this catalogue are for reference only, and it is not implied that any part listed is the product of these manufactures. Tutti i nostri particolari non sono originali ma con essi intercambiabili. I riferimenti originali, le figure, i modelli sono esposti a semplice titolo indicativo. La nostra produzione riporta il nostro marchio.

| Fig. | CEI no. | O.E.M. Reference |           | Description             | Q.ty | Note     | Ratio |               |               |  |  |  |  |
|------|---------|------------------|-----------|-------------------------|------|----------|-------|---------------|---------------|--|--|--|--|
|      |         | ZF no.           | IVECO no. |                         |      |          |       | 16S150 (1313) | 16S220 (1312) |  |  |  |  |
| 28   | 119.217 | 1316 304 149     |           | Synchronizer Ring       | 2    |          | (#)   | ●             | ●             |  |  |  |  |
| 29   | 157.180 | 1312 304 052     | 93156491  | Synchronizer Hub        | 1    |          |       | ●             | ●             |  |  |  |  |
| 29   | 157.227 | 1316 304 162     |           | Synchronizer Hub        | 1    |          | (#)   | ●             | ●             |  |  |  |  |
| 30   | 154.135 | 1310 304 202     | 42534465  | Sliding Sleeve          | 1    |          |       | ●             | ●             |  |  |  |  |
| 30   | 154.357 | 1315 304 135     |           | Sliding Sleeve          | 1    |          | (#)   | ●             | ●             |  |  |  |  |
| 31   | 145.496 | 1313 304 080     |           | Gear 3rd Speed 32 T     | 1    |          | B     | ●             |               |  |  |  |  |
| 31   | 145.526 | 1313 304 081     | 93163902  | Gear 3rd Speed 34 T     | 1    |          | C     | ●             |               |  |  |  |  |
| 31   |         | 1312 304 075     |           | Gear 3rd Speed 25 T     | 1    | (1)      | A     |               | ●             |  |  |  |  |
| 31   | 145.498 | 1312 304 137     |           | Gear 3rd Speed 32 T     | 1    |          | B     |               | ●             |  |  |  |  |
| 31   | 145.497 | 1312 304 136     | 93190462  | Gear 3rd Speed 34 T     | 1    |          | C     |               | ●             |  |  |  |  |
| 32   | 137.137 | 0735 321 087     | 1905329   | Needle Cage D.92x100x53 | 1    |          |       | ●             |               |  |  |  |  |
| 32   | 137.112 | 0735 320 451     | 7982067   | Needle Cage D.82x90x60  | 1    |          | A     |               | ●             |  |  |  |  |
| 32   | 137.138 | 0750 115 303     | 93156451  | Needle Cage D.92x100x63 | 1    |          | BC    |               | ●             |  |  |  |  |
| 33   | 103.135 | 1315 304 130     | 7982067   | Main Shaft              | 1    |          |       | ●             |               |  |  |  |  |
| 34   |         | 1312 304 161     |           | Main Shaft              | 1    |          | A     |               | ●             |  |  |  |  |
| 34   | 103.128 | 1316 304 130     | 42535656  | Main Shaft              | 1    |          | BC    |               | ●             |  |  |  |  |
| 35   | 137.137 | 0735 321 087     | 1905329   | Needle Cage D.92x100x53 | 1    |          |       | ●             |               |  |  |  |  |
| 35   | 137.138 | 0750 115 303     | 93156451  | Needle Cage D.92x100x63 | 1    |          |       |               | ●             |  |  |  |  |
| 36   | 145.502 | 1313 304 078     |           | Gear 2nd Speed 37 T     | 1    |          | B     | ●             |               |  |  |  |  |
| 36   | 145.527 | 1313 304 077     | 93163895  | Gear 2nd Speed 38 T     | 1    |          | C     | ●             |               |  |  |  |  |
| 36   |         | 1312 304 142     |           | Gear 2nd Speed          | 1    |          | A     |               | ●             |  |  |  |  |
| 36   | 145.504 | 1312 304 141     |           | Gear 2nd Speed 37 T     | 1    |          | B     |               | ●             |  |  |  |  |
| 36   | 145.503 | 1312 304 139     | 93190461  | Gear 2nd Speed 38 T     | 1    |          | C     |               | ●             |  |  |  |  |
| 37   | 109.132 | 1313 304 009     | 93163896  | Synchronizer Cone       | 2    |          |       | ●             |               |  |  |  |  |
| 37   | 109.386 | 1316 304 156     |           | Synchronizer Cone       | 2    |          | (@)   | ●             |               |  |  |  |  |
| 38   | 119.122 | 1297 304 401     | 93160314  | Synchronizer Ring       | 2    | Old Type |       | ●             |               |  |  |  |  |
| 38   | 119.166 | 1297 304 485     | 42534634  | Synchronizer Ring       | 2    | New Type |       | ●             |               |  |  |  |  |
| 38   | 119.218 | 1316 304 150     |           | Synchronizer Ring       | 2    |          | (@)   | ●             |               |  |  |  |  |
| 39   | 157.189 | 1313 304 008     | 93160380  | Synchronizer Hub        | 1    |          |       | ●             |               |  |  |  |  |
| 39   | 157.228 | 1316 304 163     |           | Synchronizer Hub        | 1    |          | (@)   | ●             |               |  |  |  |  |
| 40   | 154.202 | 1316 304 078     | 42534633  | Sliding Sleeve          | 1    |          |       | ●             |               |  |  |  |  |
| 40   | 154.358 | 1315 304 136     |           | Sliding Sleeve          | 1    |          | (@)   | ●             |               |  |  |  |  |
| 41   |         | 1312 304 092     |           | Synchronizer Cone       | 2    |          | A     |               | ●             |  |  |  |  |
| 41   | 109.176 | 1312 304 106     | 93156573  | Synchronizer Cone       | 2    |          | BC    |               | ●             |  |  |  |  |
| 42   | 119.152 | 1268 304 424     | 93156454  | Intermediate Ring       | 2    |          |       | ●             |               |  |  |  |  |
| 43   | 119.153 | 1268 304 494     | 42534458  | Intermediate Cone       | 2    |          |       | ●             |               |  |  |  |  |
| 44   | 119.144 | 1268 304 525     | 93156456  | Synchronizer Ring       | 2    |          |       | ●             |               |  |  |  |  |
| 45   | 157.181 | 1312 304 158     | 93163871  | Synchronizer Hub        | 1    |          |       | ●             |               |  |  |  |  |
| 46   | 156.176 | 1312 304 159     | 42531384  | Pad                     | 3    |          |       | ●             |               |  |  |  |  |
| 47   | 154.190 | 1310 304 175     | 42532878  | Sliding Sleeve          | 1    |          |       | ●             |               |  |  |  |  |
| 48   | 137.160 | 0750 115 325     | 1905330   | Needle Cage D.96x104x55 | 1    |          |       | ●             |               |  |  |  |  |
| 48   |         | 0750 115 304     |           | Needle Cage D.92x100x72 | 1    |          | A     |               | ●             |  |  |  |  |
| 48   | 137.151 | 0750 115 327     | 93156462  | Needle Cage D.96x104x72 | 1    |          | BC    |               | ●             |  |  |  |  |
| 49   | 117.294 | 1313 304 038     | 93163897  | Bush                    | 1    |          |       | ●             |               |  |  |  |  |
| 49   |         | 1312 304 008     |           | Bush                    | 1    |          | A     |               | ●             |  |  |  |  |

## Notes

(1) 16S220 Special Version - Ratio 10,14-0,72. For this version to use :  
4th Speed - Synchro Cone 1312 304 027 / 3rd Speed Synchro - Cone 1312 304 080

## Date

03 / 2006

## Table

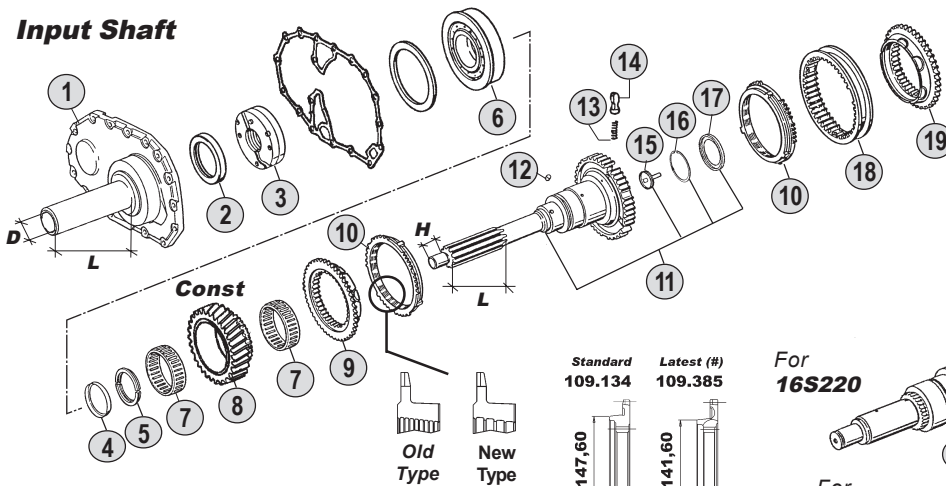
011 / A

All original equipment manufacturers numbers, symbols, pictures, models and description used in this catalogue are for reference only, and it is not implied that any part listed is the product of these manufactures.  
Tutti i nostri particolari non sono originali ma con essi intercambiabili. I riferimenti originali, le figure, i modelli sono esposti a semplice titolo indicativo. La nostra produzione riporta il nostro marchio.

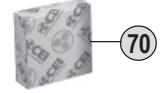
Suitable To : **ZF**

**16S150 - 16S220**

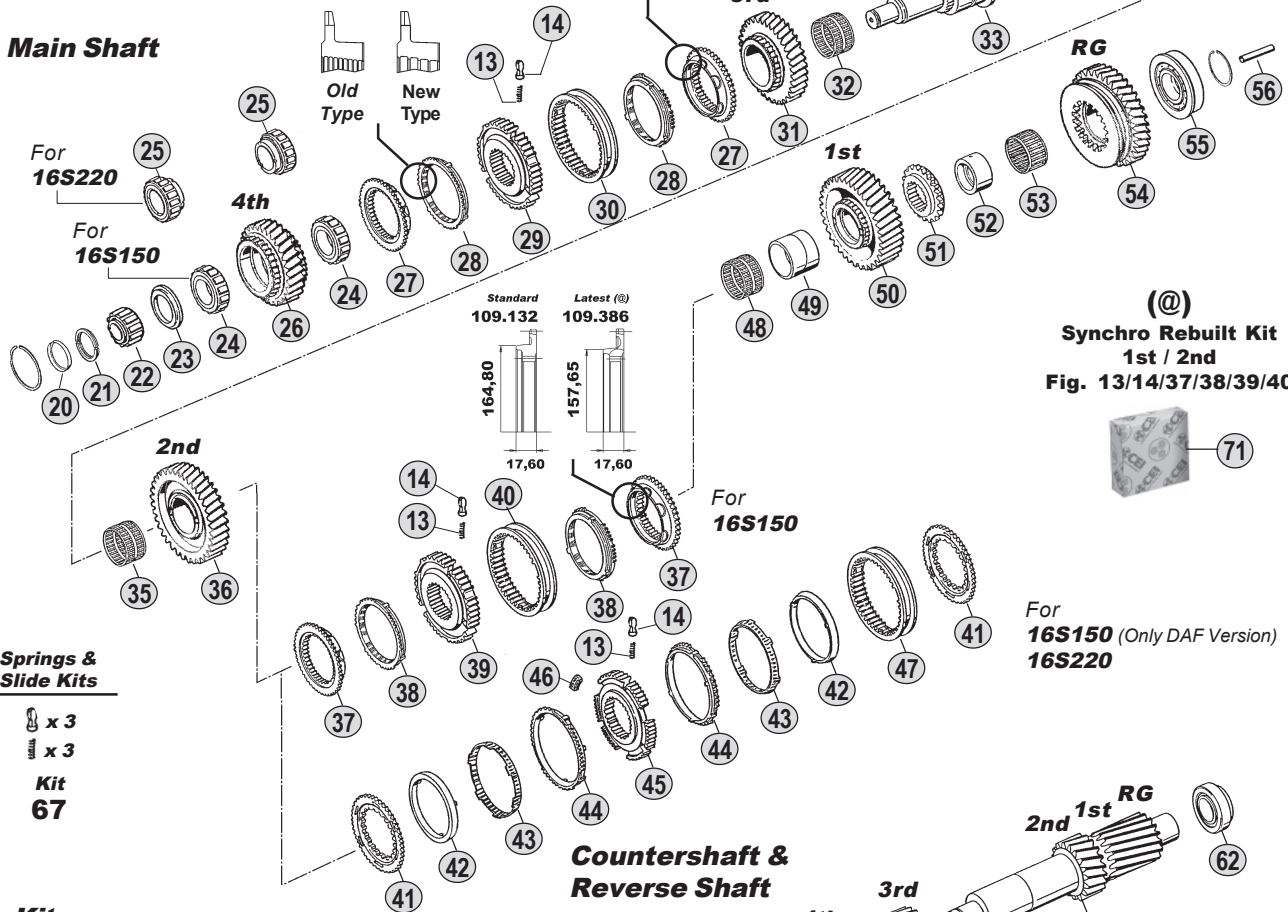
**Input Shaft**



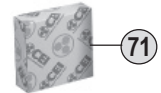
(#)  
**Synchro Rebuilt Kit**  
4th / 3rd  
Fig. 13/14/27/28/29/30



**Main Shaft**



(@)  
**Synchro Rebuilt Kit**  
1st / 2nd  
Fig. 13/14/37/38/39/40



For  
**16S150 (Only DAF Version)**  
**16S220**

**Springs & Slide Kits**

- x 3
- x 3
- Kit**
- 67**

**Kits**

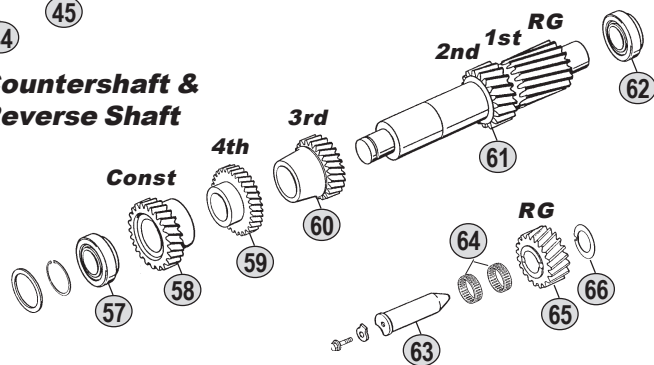


**Gasket Kit**  
**69**



**Oil Seal Kit**  
**68**

**Countershaft & Reverse Shaft**



**Ratios**

|               |              |                 |                 |
|---------------|--------------|-----------------|-----------------|
| <b>16S150</b> | A:--         | B: 13,80 - 0,84 | C: 16,47 - 1,00 |
| <b>16S220</b> | A:10,14-0,72 | B: 13,80 - 0,84 | C: 16,47 - 1,00 |

All original equipment manufacturers' numbers, symbols, pictures, models and description used in this catalogue are for reference only, and it is not implied that any part listed is the product of these manufactures. Tutti i nostri particolari non sono originali ma con essi intercambiabili. I riferimenti originali, le figure, i modelli sono esposti a semplice titolo indicativo. La nostra produzione riporta il nostro marchio.

| Fig. | O.E.M. Reference |              | Description | Q.ty                      | Note | Ratio |           |               |               |  |  |
|------|------------------|--------------|-------------|---------------------------|------|-------|-----------|---------------|---------------|--|--|
|      | CEI no.          | ZF no.       |             |                           |      |       | IVECO no. | 16S150 (1313) | 16S220 (1312) |  |  |
| 49   | 117.310          | 1312 304 084 | 93156461    | Bush D.85x96x72           | 1    | BC    | ●         |               |               |  |  |
| 50   | 145.508          | 1313 304 039 |             | Gear 1st Speed 44 T       | 1    | B     | ●         |               |               |  |  |
| 50   | 145.528          | 1313 304 070 | 93163898    | Gear 1st Speed            | 1    | C     | ●         |               |               |  |  |
| 50   |                  | 1312 304 077 |             | Gear 1st Speed 34 T       | 1    | A     | ●         |               |               |  |  |
| 50   | 145.509          | 1312 304 086 |             | Gear 1st Speed 44 T       | 1    | B     | ●         |               |               |  |  |
| 50   | 145.510          | 1312 304 085 | 93156463    | Gear 1st Speed 47 T       | 1    | C     | ●         |               |               |  |  |
| 51   | 109.177          | 1313 304 037 | 93163899    | Engaging Ring             | 1    |       | ●         |               |               |  |  |
| 51   |                  | 1312 304 037 |             | Engaging Ring             | 1    | A     | ●         |               |               |  |  |
| 51   | 109.181          | 1312 304 083 | 93156464    | Engaging Ring             | 1    | BC    | ●         |               |               |  |  |
| 52   | 117.293          | 1315 304 132 | 42534635    | Bush                      | 1    |       | ●         |               |               |  |  |
| 52   |                  | 1312 304 011 |             | Bush                      | 1    | A     | ●         |               |               |  |  |
| 52   | 117.311          | 1316 304 133 | 42534705    | Bush D.80x90x50           | 1    | BC    | ●         |               |               |  |  |
| 53   | 137.162          | 0750 115 324 | 1905331     | Roller Cage D.90x98x41    | 1    |       | ●         |               |               |  |  |
| 53   |                  | 0735 321 103 |             | Roller Cage D.77x85x50    | 1    | A     | ●         |               |               |  |  |
| 53   | 137.140          | 0750 115 326 | 93156466    | Roller Cage D.90x98x50    | 1    | BC    | ●         |               |               |  |  |
| 54   | 147.137          | 1313 304 042 |             | Reverse Gear 39 T         | 1    | B     | ●         |               |               |  |  |
| 54   | 147.147          | 1313 304 041 | 93163901    | Reverse Gear 38 T         | 1    | C     | ●         |               |               |  |  |
| 54   |                  | 1312 304 078 |             | Reverse Gear 39 T         | 1    | A     | ●         |               |               |  |  |
| 54   | 147.141          | 1312 304 088 |             | Reverse Gear 39 T         | 1    | B     | ●         |               |               |  |  |
| 54   | 147.139          | 1312 304 087 | 93156488    | Reverse Gear 38 T         | 1    | C     | ●         |               |               |  |  |
| 55   | 130.309          | 0750 117 677 | 1905486     | Bearing D.80x130x36       | 1    |       | ●         |               |               |  |  |
| 55   |                  | 0750 117 233 |             | Bearing D.65x140x36,5     | 1    | A     | ●         |               |               |  |  |
| 55   | 130.304          | 0750 117 678 | 1905102     | Bearing D.80x140x36,50    | 1    | BC    | ●         |               |               |  |  |
| 56   | 188.209          | 1312 304 150 | 93193506    | Oil Tube                  | 1    |       | ●         | ●             |               |  |  |
| 57   | 130.242          | 0750 117 010 | 42492259    | Bearing D.50,80x100x35    | 1    |       | ●         |               |               |  |  |
| 57   | 130.308          | 0750 117 009 | 7982090     | Bearing D.49,2x103,1x43,6 | 1    |       | ●         |               |               |  |  |
| 58   | 146.475          | 1313 303 004 |             | Constant Gear 37 T        | 1    | B     | ●         |               |               |  |  |
| 58   | 146.443          | 1296 303 037 | 93163892    | Constant Gear 39 T        | 1    | C     | ●         |               |               |  |  |
| 58   |                  | 1312 303 003 |             | Constant Gear 34 T        | 1    | A     | ●         |               |               |  |  |
| 58   | 146.411          | 1312 303 006 |             | Constant Gear 37 T        | 1    | B     | ●         |               |               |  |  |
| 58   | 146.412          | 1312 303 005 | 93156448    | Constant Gear 39 T        | 1    | C     | ●         |               |               |  |  |
| 59   | 146.414          | 1313 303 003 |             | Gear 4th Speed 39 T       | 1    | B     | ●         |               |               |  |  |
| 59   | 146.444          | 1296 303 036 | 93163893    | Gear 4th Speed 37 T       | 1    | C     | ●         |               |               |  |  |
| 59   |                  | 1312 303 014 |             | Gear 4th Speed 31 T       | 1    | A     | ●         |               |               |  |  |
| 59   | 146.417          | 1312 303 017 |             | Gear 4th Speed 39 T       | 1    | B     | ●         |               |               |  |  |
| 59   | 146.418          | 1312 303 016 | 93158613    | Gear 4th Speed 37 T       | 1    | C     | ●         |               |               |  |  |
| 60   | 146.420          | 1313 303 002 |             | Gear 3rd Speed 28 T       | 1    | B     | ●         |               |               |  |  |
| 60   | 146.445          | 1296 303 035 | 93163891    | Gear 3rd Speed 26 T       | 1    | C     | ●         |               |               |  |  |
| 60   |                  | 1312 303 036 |             | Gear 3rd Speed 36 T       | 1    | A     | ●         |               |               |  |  |
| 60   | 146.423          | 1312 303 020 |             | Gear 3rd Speed 28 T       | 1    | B     | ●         |               |               |  |  |
| 60   | 146.424          | 1312 303 021 | 93156447    | Gear 3rd Speed 26 T       | 1    | C     | ●         |               |               |  |  |
| 61   | 105.106          | 1313 303 010 |             | Countershaft 19-23 T      | 1    | B     | ●         |               |               |  |  |
| 61   | 105.113          | 1313 303 011 | 93163890    | Countershaft 17-20 T      | 1    | C     | ●         |               |               |  |  |
| 61   |                  | 1312 303 037 |             | Countershaft 20-24 T      | 1    | A     | ●         |               |               |  |  |
| 61   | 105.107          | 1312 303 009 |             | Countershaft 19-23 T      | 1    | B     | ●         |               |               |  |  |

## Notes

(1) 16S220 Special Version - Ratio 10,14-0,72. For this version to use :  
4th Speed - Synchro Cone 1312 304 027 / 3rd Speed Synchro - Cone 1312 304 080

## Date

03 / 2006

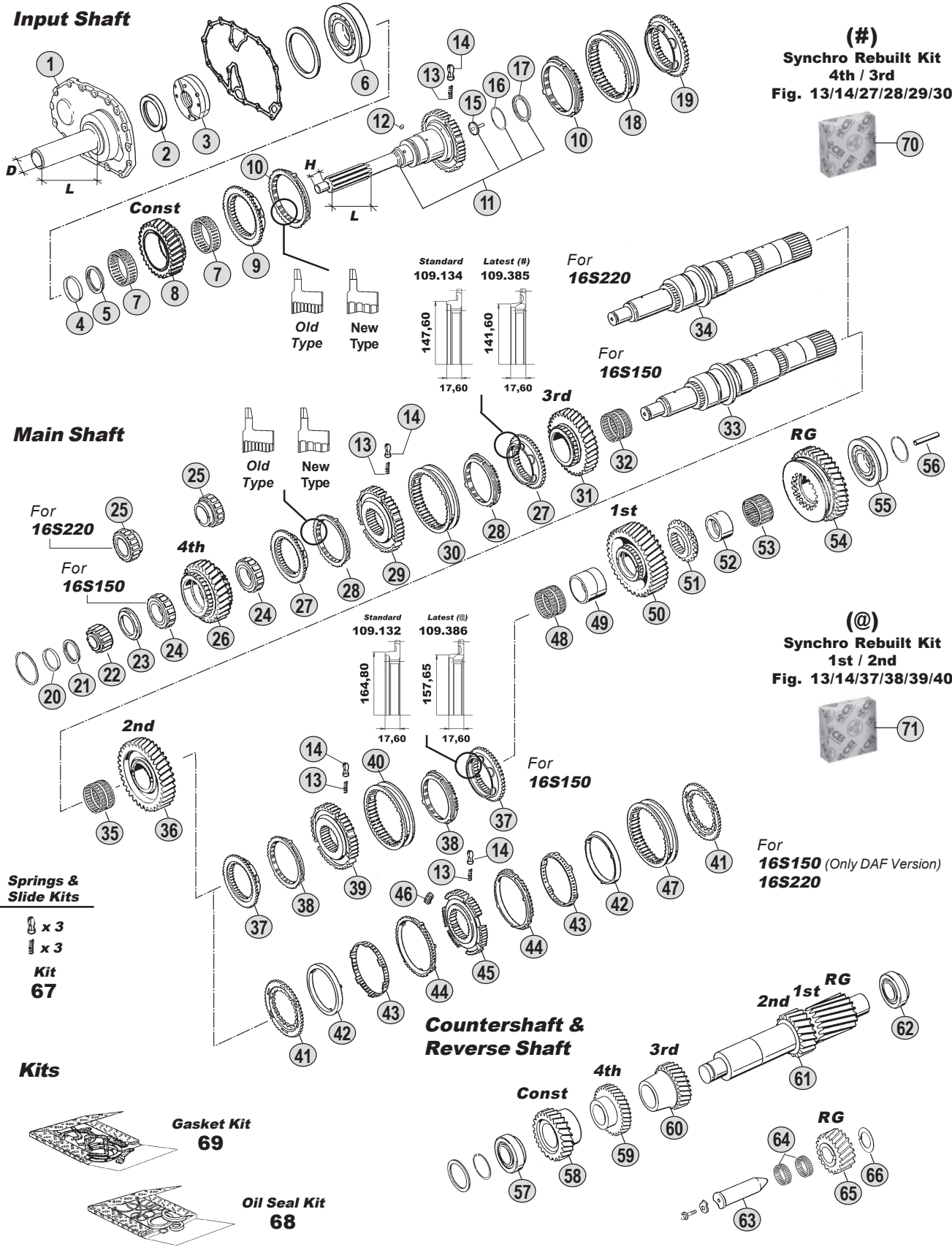
## Table

011 / A

All original equipment manufacturers numbers, symbols, pictures, models and description used in this catalogue are for reference only, and it is not implied that any part listed is the product of these manufactures.  
Tutti i nostri particolari non sono originali ma con essi intercambiabili. I riferimenti originali, le figure, i modelli sono esposti a semplice titolo indicativo. La nostra produzione riporta il nostro marchio.

Suitable To : **ZF**

**16S150 - 16S220**



All original equipment manufacturers' numbers, symbols, pictures, models and description used in this catalogue are for reference only, and it is not implied that any part listed is the product of these manufactures. Tutti i nostri particolari non sono originali ma con essi intercambiabili. I riferimenti originali, le figure, i modelli sono esposti a semplice titolo indicativo. La nostra produzione riporta il nostro marchio.

**Ratios**

|        |              |                 |                 |
|--------|--------------|-----------------|-----------------|
| 16S150 | A:--         | B: 13,80 - 0,84 | C: 16,47 - 1,00 |
| 16S220 | A:10,14-0,72 | B: 13,80 - 0,84 | C: 16,47 - 1,00 |

16S150 (1313)  
16S220 (1312)

| Fig. | CEI no. | O.E.M. Reference |           | Description               | Q.ty | Note | Ratio |               |               |  |  |  |
|------|---------|------------------|-----------|---------------------------|------|------|-------|---------------|---------------|--|--|--|
|      |         | ZF no.           | IVECO no. |                           |      |      |       | 16S150 (1313) | 16S220 (1312) |  |  |  |
| 61   | 105.108 | 1312 303 008     | 93156421  | Countershaft 17-20 T      | 1    |      | C     | ●             |               |  |  |  |
| 62   | 130.307 | 0750 117 011     | 1905328   | Bearing D.50,8x104,7x39,6 | 1    |      |       | ●             |               |  |  |  |
| 62   | 130.308 | 0750 117 009     | 7982090   | Bearing D.49,2x103,1x43,6 | 1    |      |       | ●             |               |  |  |  |
| 63   | 107.108 | 1295 305 056     | 8121930   | Reverse Gear Pin          | 1    |      |       | ●             | ●             |  |  |  |
| 64   | 137.007 | 0750 115 011     | 7982086   | Needle Cage D.45x53x21    | 2    |      |       | ●             |               |  |  |  |
| 64   | 137.154 | 0750 115 255     | 93156402  | Needle Cage D.45x53x25    | 2    |      |       | ●             |               |  |  |  |
| 65   | 147.132 | 1313 305 002     |           | Reverse Gear 21 T         | 1    |      | B     | ●             |               |  |  |  |
| 65   | 147.148 | 1313 305 001     | 93163884  | Reverse Gear 24 T         | 1    |      | C     | ●             |               |  |  |  |
| 65   |         | 1312 305 003     |           | Reverse Gear 21 T         | 1    |      | A     | ●             |               |  |  |  |
| 65   | 147.135 | 1297 305 012     |           | Reverse Gear 21 T         | 1    |      | B     | ●             |               |  |  |  |
| 65   | 147.134 | 1297 305 011     | 93156404  | Reverse Gear 24 T         | 1    |      | C     | ●             |               |  |  |  |
| 66   | 169.234 | 0730 150 064     | 1274314   | Thrust Washer             | 1    |      |       | ●             | ●             |  |  |  |
| 67   | 198.843 | CEI 198843       |           | Spring Slide Set          | 1    |      |       | ●             | ●             |  |  |  |
| 68   |         | 1312 298 902     | 93161018  | Oil Seal Kit              | 1    |      |       | ●             | ●             |  |  |  |
| 69   | 198.427 | 1295 298 915     | 8124709   | Gasket Kit                | 1    |      |       | ●             | ●             |  |  |  |
| 70   | 298.021 | 1315 298 061     |           | Synchro kit 4th/3rd Speed | 1    |      | (#)   | ●             | ●             |  |  |  |
| 71   | 298.020 | 1315 298 060     |           | Synchro kit 1st/2nd Speed | 1    |      | (@)   | ●             |               |  |  |  |

ECO II

From 16S150  
To 16S220

## Notes

(1) 16S220 Special Version - Ratio 10,14-0,72. For this version to use :  
4th Speed - Synchro Cone 1312 304 027 / 3rd Speed Synchro - Cone 1312 304 080

## Date

03 / 2006

## Table

011 / A

All original equipment manufacturers numbers, symbols, pictures, models and description used in this catalogue are for reference only, and it is not implied that any part listed is the product of these manufactures.  
Tutti i nostri particolari non sono originali ma con essi intercambiabili. I riferimenti originali, le figure, i modelli sono esposti a semplice titolo indicativo. La nostra produzione riporta il nostro marchio.



Suitable To : **ZF**

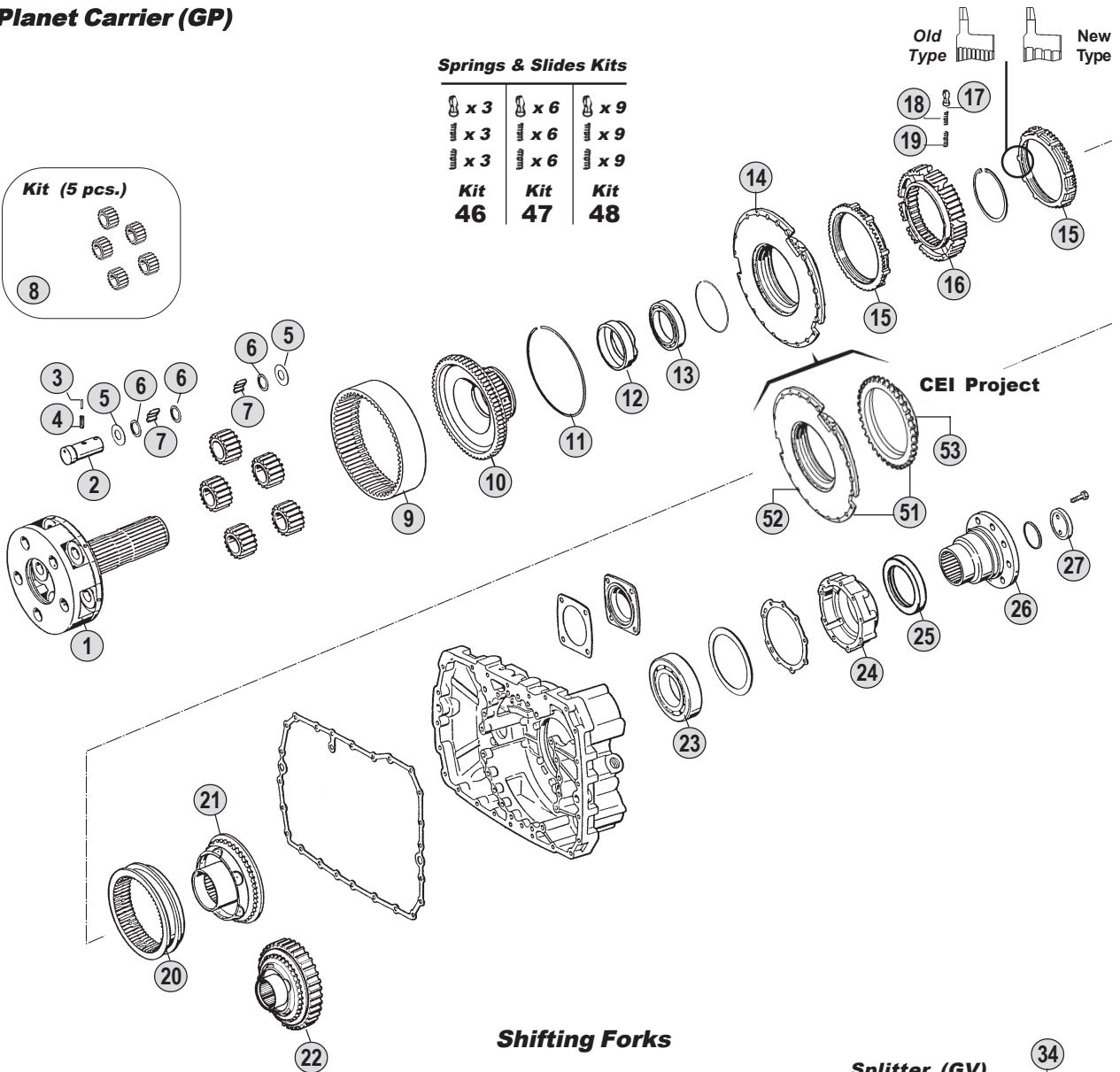
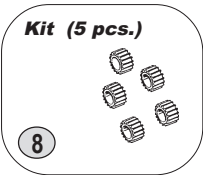
**16S150 - 16S220**

**Planet Carrier (GP)**

**Springs & Slides Kits**

|               |               |               |
|---------------|---------------|---------------|
| x 3           | x 6           | x 9           |
| x 3           | x 6           | x 9           |
| x 3           | x 6           | x 9           |
| <b>Kit 46</b> | <b>Kit 47</b> | <b>Kit 48</b> |

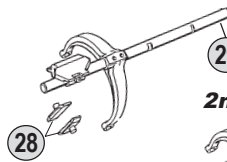
Old Type New Type



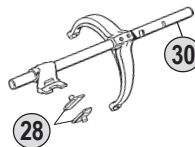
**CEI Project**

**Shifting Forks**

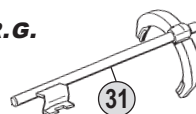
4th/3rd



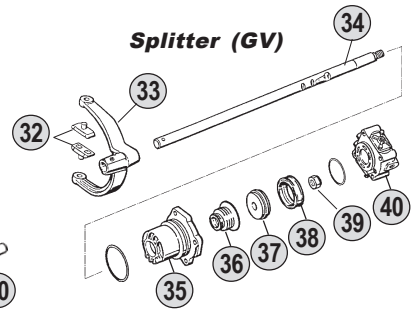
2nd/1st



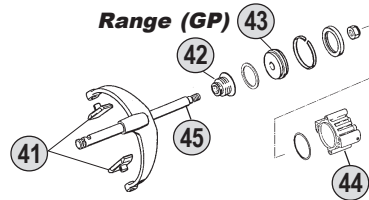
R.G.



**Splitter (GV)**



**Range (GP)**



**Kits**



**Gasket Kit 50**



**Oil Seal Kit 49**

**Ratios**

|               |              |                 |                 |
|---------------|--------------|-----------------|-----------------|
| <b>16S150</b> | A:--         | B: 13,80 - 0,84 | C: 16,47 - 1,00 |
| <b>16S220</b> | A:10,14-0,72 | B: 13,80 - 0,84 | C: 16,47 - 1,00 |

All original equipment manufacturers' numbers, symbols, pictures, models and description used in this catalogue are for reference only, and it is not implied that any part listed is the product of these manufactures. Tutti i nostri particolari non sono originali ma con essi intercambiabili. I riferimenti originali, le figure, i modelli sono esposti a semplice titolo indicativo. La nostra produzione riporta il nostro marchio.

| Fig. | O.E.M. Reference |              | Description | Q.ty                        | Note | Ratio         |           |               |               |  |  |
|------|------------------|--------------|-------------|-----------------------------|------|---------------|-----------|---------------|---------------|--|--|
|      | CEI no.          | ZF no.       |             |                             |      |               | IVECO no. | 16S150 (1313) | 16S220 (1312) |  |  |
| 1    | 190.393          | 1296 232 002 | 93163912    | Planetary carrier           | 1    |               | ●         |               |               |  |  |
| 1    |                  | 1312 232 016 |             | Planetary Carrier           | 1    | A             |           | ●             |               |  |  |
| 1    | 190.392          | 1316 232 006 | 42537518    | Planetary Carrier           | 1    | BC            |           | ●             |               |  |  |
| 2    | 107.164          | 1296 332 005 | 93163915    | Planet Shaft                | 5    |               | ●         |               |               |  |  |
| 2    | <b>107.163</b>   | 1297 332 109 | 8190756     | Planet Shaft                | 5    | A             |           | ●             |               |  |  |
| 2    | 107.165          | 1312 332 026 | 8198829     | Planet Shaft                | 5    | BC            |           | ●             |               |  |  |
| 3    | 160.195          | 0631 329 167 | 93191213    | Lock Pin D.3x26             | 5    |               | ●         | ●             |               |  |  |
| 4    | 160.194          | 0631 329 051 | 93191212    | Lock Pin D.5x26             | 5    |               | ●         | ●             |               |  |  |
| 5    | 169.759          | 0501 308 981 | 93156113    | Thrust Washer               | 10   |               | ●         |               |               |  |  |
| 5    | <b>169.753</b>   | 0501 306 212 | 7981912     | Thrust Washer D.29x64x1,5   | 10   | A             |           | ●             |               |  |  |
| 5    | 169.759          | 0501 308 981 | 93156113    | Thrust Washer               | 10   | BC            |           | ●             |               |  |  |
| 6    | 169.744          | 0730 107 168 | 8198826     | Spacer Ring                 | 15   |               | ●         |               |               |  |  |
| 6    | <b>169.410</b>   | 0730 103 846 | 42484076    | Spacer Ring D.29x39x1,00    | 15   | A             |           | ●             |               |  |  |
| 6    | 169.744          | 0730 107 168 | 8198826     | Spacer Ring                 | 15   | BC            |           | ●             |               |  |  |
| 7    | 171.046          | 0735 470 164 | 93163914    | Roller D.10x15              | 140  |               | ●         |               |               |  |  |
| 7    | <b>171.062</b>   | 0750 119 116 | 93191132    | Roller D.10x16,8            | 120  | A             |           | ●             |               |  |  |
| 7    | <b>171.062</b>   | 0750 119 116 | 93191132    | Roller D.10x16,8            | 140  | BC            |           | ●             |               |  |  |
| 8    | <b>198.800</b>   | 1313 232 003 | 93163913    | Planetary Gear Set (5 pcs)  | 1    |               | ●         |               |               |  |  |
| 8    | <b>198.803</b>   | 1297 232 023 | 7982241     | Planetary Gear Set (5 pcs)  | 1    | A             |           | ●             |               |  |  |
| 8    | <b>198.801</b>   | 1312 232 014 | 8198825     | Planetary Gear Set (5 pcs)  | 1    | BC            |           | ●             |               |  |  |
| 9    | <b>123.208</b>   | 1295 332 086 | 8198832     | Crown Gear 86 T             | 1    |               | ●         |               |               |  |  |
| 9    | <b>123.217</b>   | 1297 332 080 | 8121936     | Crown Gear 83 T             | 1    | A             |           | ●             |               |  |  |
| 9    | <b>123.208</b>   | 1295 332 086 | 8198832     | Crown Gear 86 T             | 1    | BC            |           | ●             |               |  |  |
| 10   | <b>150.133</b>   | 1313 332 020 | 93163916    | Flange Gear 86 T            | 1    |               | ●         |               |               |  |  |
| 10   |                  | 1297 332 108 |             | Flange Gear 83 T            | 1    | A             |           | ●             |               |  |  |
| 10   | <b>150.134</b>   | 1297 332 120 | 8198830     | Flange Gear 86 T            | 1    | BC            |           | ●             |               |  |  |
| 11   | 111.198          | 0730 505 056 | 8198833     | Locking Wire                | 1    |               | ●         |               |               |  |  |
| 11   | 111.129          | 0730 505 055 | 42492409    | Locking Wire                | 1    | A             |           | ●             |               |  |  |
| 11   | 111.198          | 0730 505 056 | 8198833     | Locking Wire                | 1    | BC            |           | ●             |               |  |  |
| 12   |                  | 1297 332 002 | 42492428    | Ring                        | 1    |               | ●         |               |               |  |  |
| 13   | 130.310          | 0750 116 165 | 42492449    | Bearing D.80x110x16         | 1    |               | ●         |               |               |  |  |
| 13   | 130.311          | 0635 338 035 | 8195468     | Bearing D.100x125x13        | 1    |               |           | ●             |               |  |  |
| 14   | <b>198.358</b>   | 1296 233 006 | 7982213     | Synchronizer Cone           | 1    |               | ●         | ●             |               |  |  |
| 15   | <b>119.085</b>   | 1296 333 022 | 7982226     | Synchronizer Ring           | 2    | Old Type      | ●         | ●             |               |  |  |
| 15   | <b>119.172</b>   | 1296 333 045 | 42532826    | Synchronizer Ring           | 2    | New Type      | ●         | ●             |               |  |  |
| 16   | <b>157.182</b>   | 1313 333 001 | 93163920    | Synchronizer Hub            | 1    |               | ●         |               |               |  |  |
| 16   | <b>157.183</b>   | 1297 333 115 | 8198839     | Synchronizer Hub            | 1    |               |           | ●             |               |  |  |
| 17   | <b>160.116</b>   | 1240 304 278 | 2960200     | Pressure Piece              | 9    |               | ●         | ●             |               |  |  |
| 18   | <b>156.036</b>   | 0732 040 386 | 9931785     |                             | 9    |               | ●         | ●             |               |  |  |
| 19   | <b>156.037</b>   | 0732 040 385 | 8832940     | Outer Spring De.6x34        | 9    |               | ●         | ●             |               |  |  |
| 20   | <b>154.098</b>   | 1296 333 023 | 7982227     | Sliding Sleeve              | 1    |               | ●         | ●             |               |  |  |
| 21   | <b>198.374</b>   | 1313 233 001 | 93156049    | Synchronizer Cone (38 Spl.) | 1    |               | ●         |               |               |  |  |
| 21   | <b>198.790</b>   | 1297 233 056 | 8198840     | Synchronizer Cone (41 spl.) | 1    |               |           | ●             |               |  |  |
| 22   |                  | 1297 333 118 |             | Synchronizer Cone           | 1    | With Retarder | ●         |               |               |  |  |
| 22   |                  | 1312 333 014 |             | Synchronizer Cone           | 1    | With Retarder |           | ●             |               |  |  |

## Notes

- (4) Only Pneumatic Version  
 (5) To be coupled Together  
 (6) To be coupled Together

## Date

03 / 2006

## Table

011 / B

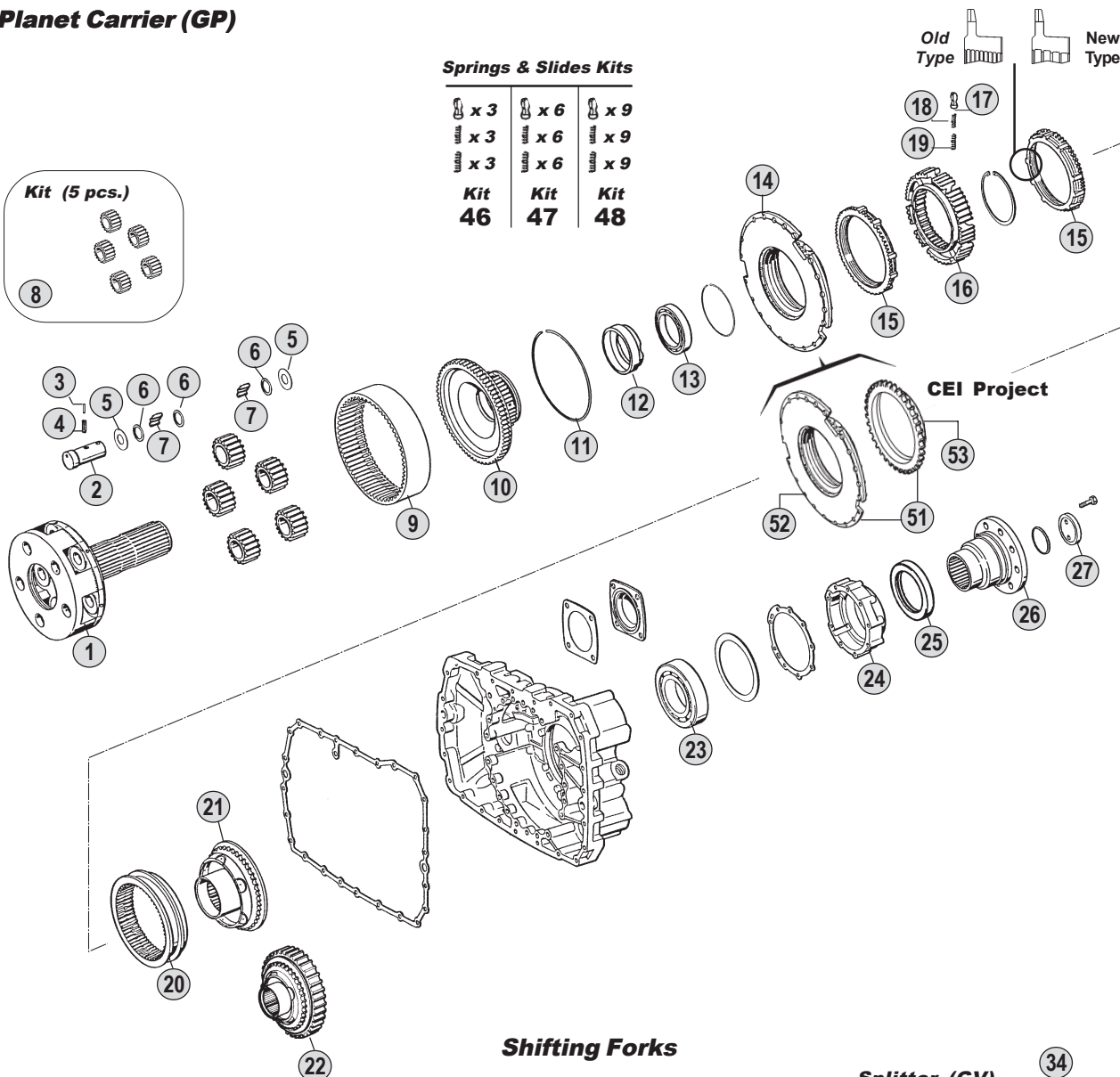
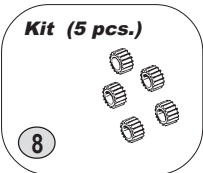
Suitable To : **ZF**

**16S150 - 16S220**

**Planet Carrier (GP)**

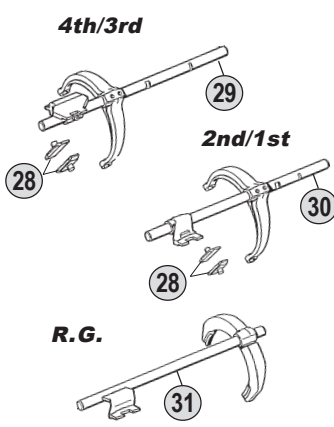
**Springs & Slides Kits**

|               |               |               |
|---------------|---------------|---------------|
| x 3           | x 6           | x 9           |
| x 3           | x 6           | x 9           |
| x 3           | x 6           | x 9           |
| <b>Kit 46</b> | <b>Kit 47</b> | <b>Kit 48</b> |

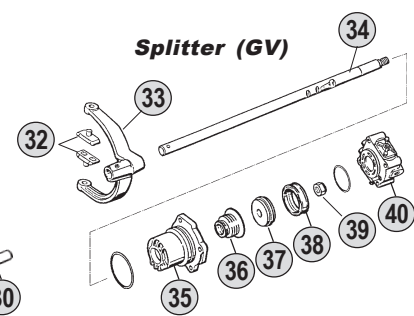


**CEI Project**

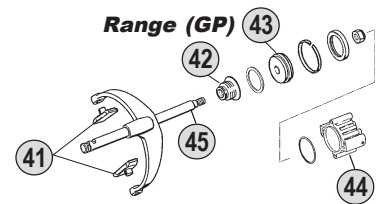
**Shifting Forks**



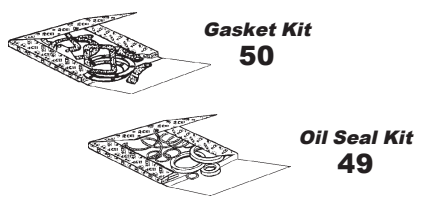
**Splitter (GV)**



**Range (GP)**



**Kits**



**Ratios**

|               |              |                 |                 |
|---------------|--------------|-----------------|-----------------|
| <b>16S150</b> | A:--         | B: 13,80 - 0,84 | C: 16,47 - 1,00 |
| <b>16S220</b> | A:10,14-0,72 | B: 13,80 - 0,84 | C: 16,47 - 1,00 |

All original equipment manufacturers' numbers, symbols, pictures, models and description used in this catalogue are for reference only, and it is not implied that any part listed is the product of these manufactures. Tutti i nostri particolari non sono originali ma con essi intercambiabili. I riferimenti originali, le figure, i modelli sono esposti a semplice titolo indicativo. La nostra produzione riporta il nostro marchio.



| Fig. | O.E.M. Reference |              | Description | Q.ty                    | Note | Ratio       |           |               |               |  |  |  |
|------|------------------|--------------|-------------|-------------------------|------|-------------|-----------|---------------|---------------|--|--|--|
|      | CEI no.          | ZF no.       |             |                         |      |             | IVECO no. | 16S150 (1313) | 16S220 (1312) |  |  |  |
| 23   | 130.245          | 0750 116 002 | 7982088     | Bearing D.90x160x30     | 1    |             | ●         | ●             |               |  |  |  |
| 24   | 128.098          | 1315 301 220 | 8198822     | Cover                   | 1    |             | ●         | ●             |               |  |  |  |
| 25   |                  | 0750 111 341 | 93194330    | Oil Seal 105x130x12     | 1    |             | ●         | ●             |               |  |  |  |
| 26   |                  | 1313 338 002 | 93163919    | Output Flange           | 1    | D.180-4 H.  | ●         |               |               |  |  |  |
| 26   |                  | 1313 338 011 |             | Output Flange           | 1    | D.204-4 H.  | ●         |               |               |  |  |  |
| 26   |                  | 1297 333 110 | 93156114    | Output Flange           | 1    | D.180-10 H. |           | ●             |               |  |  |  |
| 27   | 188.077          | 1295 332 051 | 7982207     | Stop Washer             | 1    |             | ●         |               |               |  |  |  |
| 27   |                  | 1312 332 028 | 8198837     | Stop Washer             | 1    |             |           | ●             |               |  |  |  |
| 28   | 141.163          | 1297 306 120 | 8198817     | Slide                   | 2    |             | ●         | ●             |               |  |  |  |
| 29   |                  | 1313 206 002 | 93163905    | Fork                    | 1    |             | ●         |               |               |  |  |  |
| 29   |                  | 1313 206 005 |             | Fork                    | 1    |             | ●         |               |               |  |  |  |
| 29   |                  | 1313 206 011 |             | Fork                    | 1    | (4)         | ●         |               |               |  |  |  |
| 29   |                  | 1312 206 025 | 93190464    | Fork                    | 1    |             |           | ●             |               |  |  |  |
| 29   |                  | 1312 206 026 | 93156529    | Fork                    | 1    |             |           | ●             |               |  |  |  |
| 29   |                  | 1312 206 045 |             | Fork                    | 1    | (4)         |           | ●             |               |  |  |  |
| 30   |                  | 1313 206 001 | 93163904    | Fork                    | 1    |             | ●         |               |               |  |  |  |
| 30   |                  | 1313 206 004 |             | Fork                    | 1    |             | ●         |               |               |  |  |  |
| 30   |                  | 1313 206 031 |             | Fork                    | 1    | (4)         | ●         |               |               |  |  |  |
| 30   |                  | 1312 206 013 | 93190463    | Fork                    | 1    |             |           | ●             |               |  |  |  |
| 30   |                  | 1312 206 017 | 93157560    | Fork                    | 1    |             |           | ●             |               |  |  |  |
| 30   |                  | 1312 206 043 |             | Fork                    | 1    | (4)         |           | ●             |               |  |  |  |
| 31   |                  | 1313 206 015 | 93163906    | Fork                    | 1    |             | ●         |               |               |  |  |  |
| 31   |                  | 1313 206 016 |             | Fork                    | 1    |             | ●         |               |               |  |  |  |
| 31   |                  | 1313 206 026 |             | Fork                    | 1    | (4)         | ●         |               |               |  |  |  |
| 31   |                  | 1312 206 027 | 93190465    | Fork                    | 1    |             |           | ●             |               |  |  |  |
| 31   |                  | 1312 206 028 | 93156575    | Fork                    | 1    |             |           | ●             |               |  |  |  |
| 31   |                  | 1312 206 033 |             | Fork                    | 1    | (4)         |           | ●             |               |  |  |  |
| 32   | 141.163          | 1297 306 120 | 8198817     | Slide                   | 2    |             | ●         | ●             |               |  |  |  |
| 33   |                  | 1313 312 002 | 93156532    | Fork                    | 1    |             | ●         | ●             |               |  |  |  |
| 34   |                  | 1312 312 002 | 93163909    | Rod                     | 1    |             | ●         |               |               |  |  |  |
| 34   |                  | 1312 312 001 | 93156531    | Rod                     | 1    |             |           | ●             |               |  |  |  |
| 35   | 132.046          | 1296 312 042 | 8123433     | Cylinder                | 1    |             | ●         | ●             |               |  |  |  |
| 36   | 139.331          | 0750 112 034 | 8190753     | Cap Collar D.25x38x14,2 | 1    |             | ●         | ●             |               |  |  |  |
| 37   |                  | 1312 312 003 | 93156534    | Piston                  | 1    |             | ●         | ●             |               |  |  |  |
| 37   |                  | 1312 312 015 |             | Piston                  | 1    | (4)         | ●         | ●             |               |  |  |  |
| 38   |                  | 0750 112 089 | 8194836     | Ring 53x63x16,2         | 1    |             | ●         | ●             |               |  |  |  |
| 38   |                  | 0750 112 048 | 8193163     | Ring 53x63x5            | 1    | (4)         | ●         | ●             |               |  |  |  |
| 39   |                  | 0737 006 095 | 93190550    | Nut                     | 1    |             | ●         | ●             |               |  |  |  |
| 40   |                  | 0750 132 032 |             | Cylinder                | 1    |             | ●         | ●             |               |  |  |  |
| 40   |                  | 0750 132 033 | 8121938     | Cylinder                | 1    |             | ●         | ●             |               |  |  |  |
| 41   | 141.085          | 1296 334 004 | 7982228     | Bronze Slide            | 2    |             | ●         | ●             |               |  |  |  |
| 42   | 139.331          | 0750 112 034 | 8190753     | Cap Collar D.25x38x14,2 | 1    |             | ●         | ●             |               |  |  |  |
| 43   | 189.422          | 1296 334 039 | 42492447    | Piston                  | 1    | (5)         | ●         | ●             |               |  |  |  |
| 43   |                  | 1297 334 056 | 8198841     | Piston                  | 1    | (6)         | ●         | ●             |               |  |  |  |
| 44   | 132.047          | 1295 334 075 | 7982230     | Cylinder                | 1    | (5)         | ●         | ●             |               |  |  |  |

## Notes

- (4) Only Pneumatic Version  
 (5) To be coupled Together  
 (6) To be coupled Together

## Date

03 / 2006

## Table

011 / B

Suitable To : **ZF**

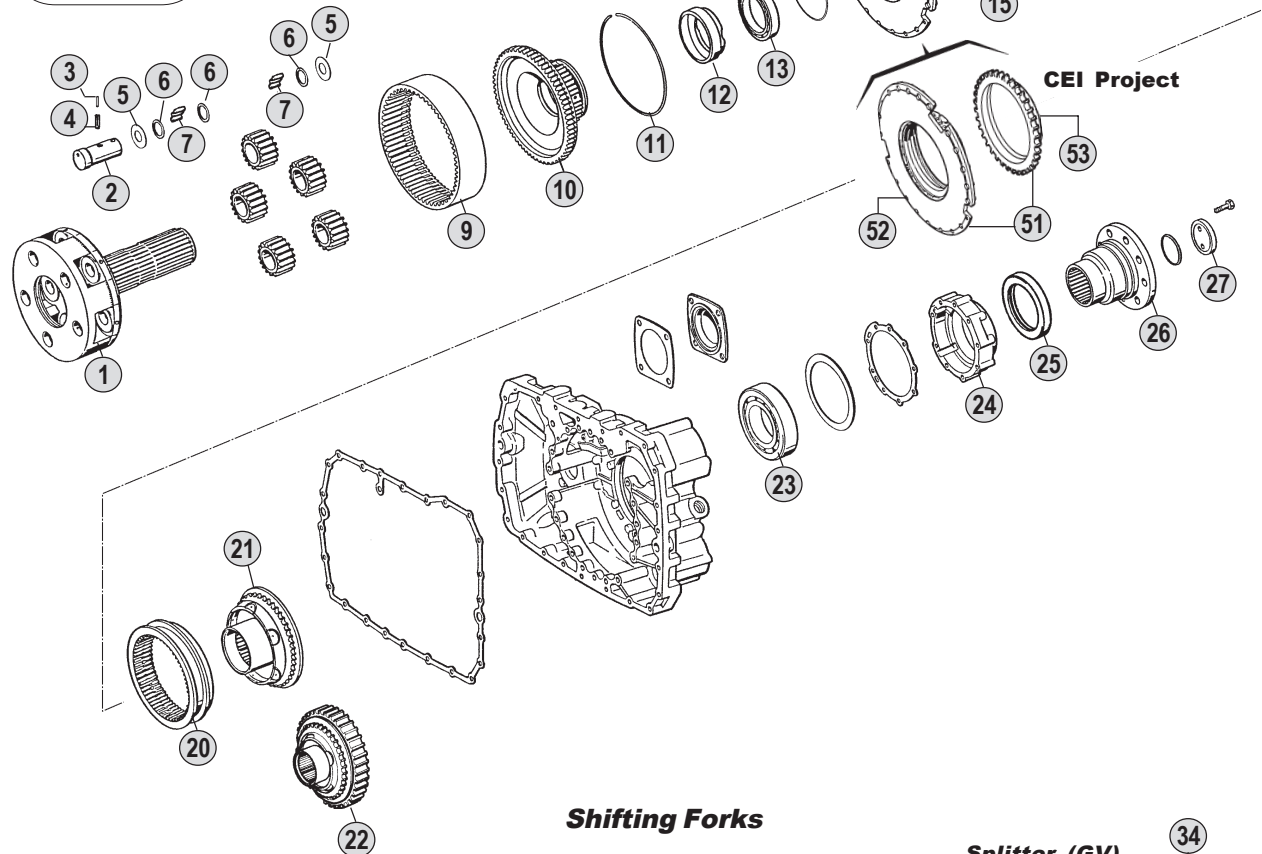
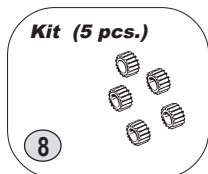
**16S150 - 16S220**

**Planet Carrier (GP)**

**Springs & Slides Kits**

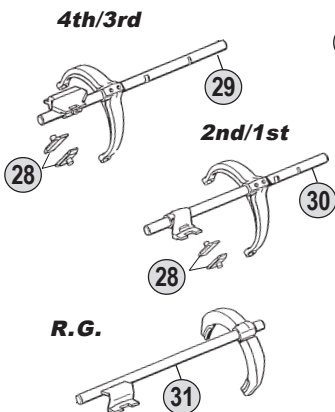
|               |               |               |
|---------------|---------------|---------------|
| x 3           | x 6           | x 9           |
| x 3           | x 6           | x 9           |
| x 3           | x 6           | x 9           |
| <b>Kit 46</b> | <b>Kit 47</b> | <b>Kit 48</b> |

Old Type New Type

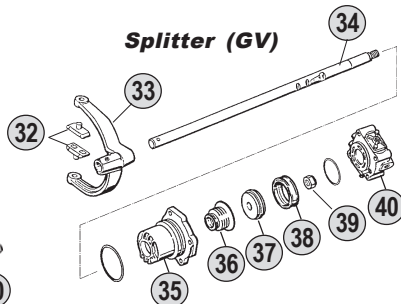


**CEI Project**

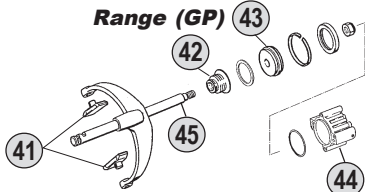
**Shifting Forks**



**Splitter (GV)**



**Range (GP)**



**Kits**



**Gasket Kit 50**



**Oil Seal Kit 49**

**Ratios**

|               |              |                 |                 |
|---------------|--------------|-----------------|-----------------|
| <b>16S150</b> | A:--         | B: 13,80 - 0,84 | C: 16,47 - 1,00 |
| <b>16S220</b> | A:10,14-0,72 | B: 13,80 - 0,84 | C: 16,47 - 1,00 |

All original equipment manufacturers' numbers, symbols, pictures, models and description used in this catalogue are for reference only, and it is not implied that any part listed is the product of these manufactures. Tutti i nostri particolari non sono originali ma con essi intercambiabili. I riferimenti originali, le figure, i modelli sono esposti a semplice titolo indicativo. La nostra produzione riporta il nostro marchio.





suitable to :

**Z.F.****EcoSplit III****From 16S151 to 16S221****Planetary Gear with STRAIGHT TEETH****Application**

|                 | 16S151<br>(1315) | 16S221<br>(1316) |  |  |
|-----------------|------------------|------------------|--|--|
| <b>MERCEDES</b> |                  |                  |  |  |
| <b>M.A.N.</b>   |                  |                  |  |  |
| <b>IVECO</b>    |                  |                  |  |  |
| <b>R.V.I.</b>   |                  |                  |  |  |
| <b>DAF</b>      |                  |                  |  |  |
| <b>VOLVO</b>    |                  |                  |  |  |

**Ratios**

|               | R.13,80-0,84 | R.13,85-0,84 | R.13,86-0,84 | R.16,47-1,00 | R.16,53-1,00 |
|---------------|--------------|--------------|--------------|--------------|--------------|
|               | A            | B            | C            | D            | E            |
| <b>16S151</b> |              |              |              |              |              |
| <b>16S221</b> |              |              |              |              |              |
|               |              |              |              |              |              |
|               |              |              |              |              |              |

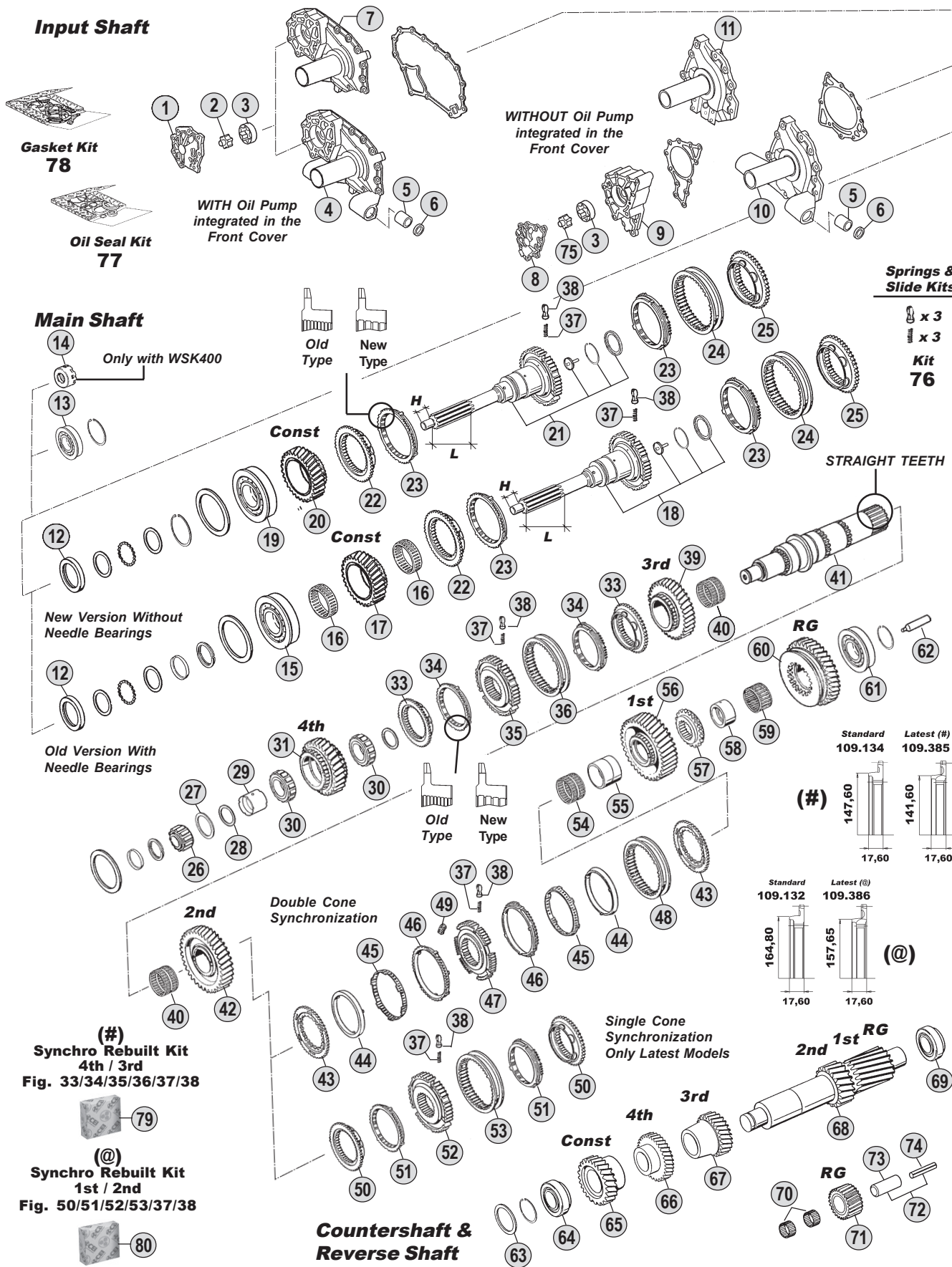
All original equipment manufacturers numbers, symbols, pictures, models and description used in this catalogue are for reference only, and it is not implied that any part listed is the product of these manufactures. Tutti i nostri particolari non sono originali ma con essi intercambiabili. I riferimenti originali, le figure, i modelli sono esposti a semplice titolo indicativo. La nostra produzione riporta il nostro marchio.

**ECO III**  
From 16S151  
To 16S221



Suitable To : **ZF**

**16S151 - 16S221**



All original equipment manufacturers' numbers, symbols, pictures, models and description used in this catalogue are for reference only, and it is not implied that any part listed is the product of these manufactures. Tutti i nostri particolari non sono originali ma con essi intercambiabili. I riferimenti originali, le figure, i modelli sono esposti a semplice titolo indicativo. La nostra produzione riporta il nostro marchio.

**Ratios**

|        |               |                 |                 |                 |               |
|--------|---------------|-----------------|-----------------|-----------------|---------------|
| 16S151 | A: 13,80-0,84 | B: 13,85 - 0,84 | C: 13,86 - 0,84 | D: 16,47 - 1,00 | E: 16,53-1,00 |
| 16S221 | A: 13,80-0,84 | B: --           | C: 13,86 - 0,84 | D: 16,47 - 1,00 | E: -          |



| Fig. | CEI no. | O.E.M. Reference |           | Description                | Q.ty | Note                | Ratio |   |   |  |  |  |  |
|------|---------|------------------|-----------|----------------------------|------|---------------------|-------|---|---|--|--|--|--|
|      |         | ZF no.           | IVECO no. |                            |      |                     |       |   |   |  |  |  |  |
| 1    |         | 1315 302 013     | 93190510  | Cover                      | 1    |                     |       | ● | ● |  |  |  |  |
| 2    |         | 1315 202 014     | 93191178  | Rotor                      | 1    |                     |       | ● | ● |  |  |  |  |
| 3    |         | 1315 303 027     | 93191179  | Oil Pump Housing           | 1    |                     |       | ● | ● |  |  |  |  |
| 4    |         | 1315 302 057     | 93192194  | Front Cover                | 1    |                     |       | ● | ● |  |  |  |  |
| 5    |         | 0730 260 398     | 93190506  | Bush                       | 4    |                     |       | ● | ● |  |  |  |  |
| 6    |         | 0501 312 738     | 93190507  | Oil Seal 30x37x4           | 4    |                     |       | ● | ● |  |  |  |  |
| 7    |         | 1315 302 045     |           | Front Cover                | 1    |                     |       | ● | ● |  |  |  |  |
| 7    |         | 1315 302 047     |           | Front Cover                | 1    |                     |       | ● | ● |  |  |  |  |
| 8    |         | 1315 302 120     | 42530599  | Cover                      | 1    |                     |       | ● | ● |  |  |  |  |
| 9    |         | 1315 302 121     | 42531750  | Housing                    | 1    |                     |       | ● | ● |  |  |  |  |
| 10   |         | 1315 202 055     | 42536234  | Front Cover                | 1    |                     |       | ● | ● |  |  |  |  |
| 10   |         | 1315 202 058     |           | Front Cover                | 1    |                     |       | ● | ● |  |  |  |  |
| 10   |         | 1315 202 061     |           | Front Cover                | 1    |                     |       | ● | ● |  |  |  |  |
| 10   |         | 1315 202 065     |           | Front Cover                | 1    |                     |       | ● | ● |  |  |  |  |
| 10   |         | 1315 202 060     | 42536388  | Front Cover                | 1    | With WSK400         |       | ● | ● |  |  |  |  |
| 11   |         | 1315 302 075     |           | Front Cover                | 1    |                     |       | ● | ● |  |  |  |  |
| 11   |         | 1315 302 136     |           | Front Cover                | 1    |                     |       | ● | ● |  |  |  |  |
| 12   | 139.754 | 0734 310 386     | 42533218  | Oil Seal 55x75x8           | 1    |                     |       | ● | ● |  |  |  |  |
| 12   |         | 0734 310 104     | 42484086  | Oil Seal 52x68x8           | 1    | (1)                 |       | ● | ● |  |  |  |  |
| 12   |         | 0734 319 514     |           | Oil Seal 52x72x8           | 1    | (2)                 |       | ● | ● |  |  |  |  |
| 13   |         | 0635 450 098     | 1905359   | Bearing 52x90x33           | 1    | (2)                 |       | ● | ● |  |  |  |  |
| 14   |         | 4130 309 063     | 42484059  | Disk                       | 1    | (1)                 |       | ● | ● |  |  |  |  |
| 15   | 130.306 | 0750 117 431     | 1905101   | Bearing D.75x150x30,50     | 1    | (3-4-5)             |       | ● | ● |  |  |  |  |
| 16   | 137.133 | 0735 321 437     | 1909494   | Needle Cage D.93x101x25    | 2    | (3)                 |       | ● |   |  |  |  |  |
| 16   | 137.148 | 0750 115 310     | 1905327   | Needle Cage D.93x101x25    | 2    | (4)                 |       | ● |   |  |  |  |  |
| 16   | 137.134 | 0735 321 438     | 1905493   | Needle Cage D.93x101x32,50 | 2    | (5)                 |       |   | ● |  |  |  |  |
| 17   | 145.524 | 1315 302 008     |           | Constant Gear 34 T         | 1    | (3)                 | B     | ● |   |  |  |  |  |
| 17   | 145.451 | 1315 302 007     | 93190490  | Constant Gear 30 T         | 1    | (4)                 | DE    | ● |   |  |  |  |  |
| 17   | 145.472 | 1316 302 001     | 93191176  | Constant Gear 30 T         | 1    | (5)                 | D     |   | ● |  |  |  |  |
| 18   | 190.309 | 1315 202 022     |           | Input Shaft                | 1    | L=125 H=32          |       | ● |   |  |  |  |  |
| 18   | 190.296 | 1315 202 012     | 93190489  | Input Shaft                | 1    |                     |       | ● |   |  |  |  |  |
| 18   | 190.297 | 1316 202 005     | 93191175  | Input Shaft                | 1    |                     |       |   | ● |  |  |  |  |
| 19   | 130.518 | 0750 117 732     | 2991733   | Bearing D.85x150x30,50     | 1    |                     |       | ● | ● |  |  |  |  |
| 20   | 145.513 | 1315 302 173     |           | Constant Gear 34 T         | 1    |                     | A     | ● |   |  |  |  |  |
| 20   | 145.556 | 1315 302 158     | 42534905  | Constant Gear 35 T         | 1    |                     | C     | ● |   |  |  |  |  |
| 20   | 145.553 | 1315 302 157     | 42534629  | Constant Gear 30 T         | 1    |                     | D     | ● |   |  |  |  |  |
| 20   | 145.487 | 1316 302 065     | 42535690  | Constant Gear 34 T         | 1    |                     | A     |   | ● |  |  |  |  |
| 20   | 145.554 | 1316 302 067     | 42534756  | Constant Gear 35 T         | 1    |                     | C     |   | ● |  |  |  |  |
| 20   | 145.483 | 1316 302 066     | 42534644  | Constant Gear 30 T         | 1    |                     | D     |   | ● |  |  |  |  |
| 21   | 190.304 | 1315 202 037     |           | Input Shaft                | 1    | L=125 H=31,5        |       | ● |   |  |  |  |  |
| 21   | 190.315 | 1315 202 040     | 42534440  | Input Shaft                | 1    | L=102 H=32          |       | ● |   |  |  |  |  |
| 21   |         | 1315 202 048     |           | Input Shaft                | 1    |                     |       | ● |   |  |  |  |  |
| 21   | 190.317 | 1315 221 002     |           | Input Shaft                | 1    | NMV221 (Clutch PTO) |       | ● |   |  |  |  |  |
| 21   | 190.303 | 1316 202 025     |           | Input Shaft                | 1    | L=134 H=32          |       |   | ● |  |  |  |  |
| 21   | 190.300 | 1316 202 026     | 42534643  | Input Shaft                | 1    |                     |       |   | ● |  |  |  |  |

## Notes

- (1) Only for Input S. 1315 202 048-1316 202 033  
 (2) Only for Input S. 1315 221 002-1316 221 017  
 (3) Only for Input S. 1315 202 022 - Old Version with Needle B.  
 (4) Only for Input S. 1315 202 012 - Old version with Needle B.  
 (5) Only for Input S. 1316 202 005 - Old version with Needle B.  
 (6) Do not use for Old version with Needle Bearings  
 (7) Old Version. Repl. By 1315 304 089+1315 303 050  
 (8) Old Version. Repl. By 1316 304 103+1316 303 065  
 (9) For model WITH integrated Oil Pump  
 (10) For model WITHOUT integrated Oil Pump  
 (11) Old Version. Use 1316 303 002 with 1316 303 053  
 (12) Old Version. Use 1316 303 001 with 1316 303 052  
 (13) Old Version. Repl. by 1 pc. Fig. 73 + 1 pc. Fig. 74 (\*) New Models only. DO NO MIX Single Cone S. with Double Cone S.  
 (14) Latest Synchro gen. DO NO MIX the two different version. To update the previous one use the synchro rebuilt kit fig. 79  
 (15) Latest Synchro gen. DO NO MIX the two different version. To update the previous one use the synchro rebuilt kit fig. 80

## Date

03 / 2006

## Table

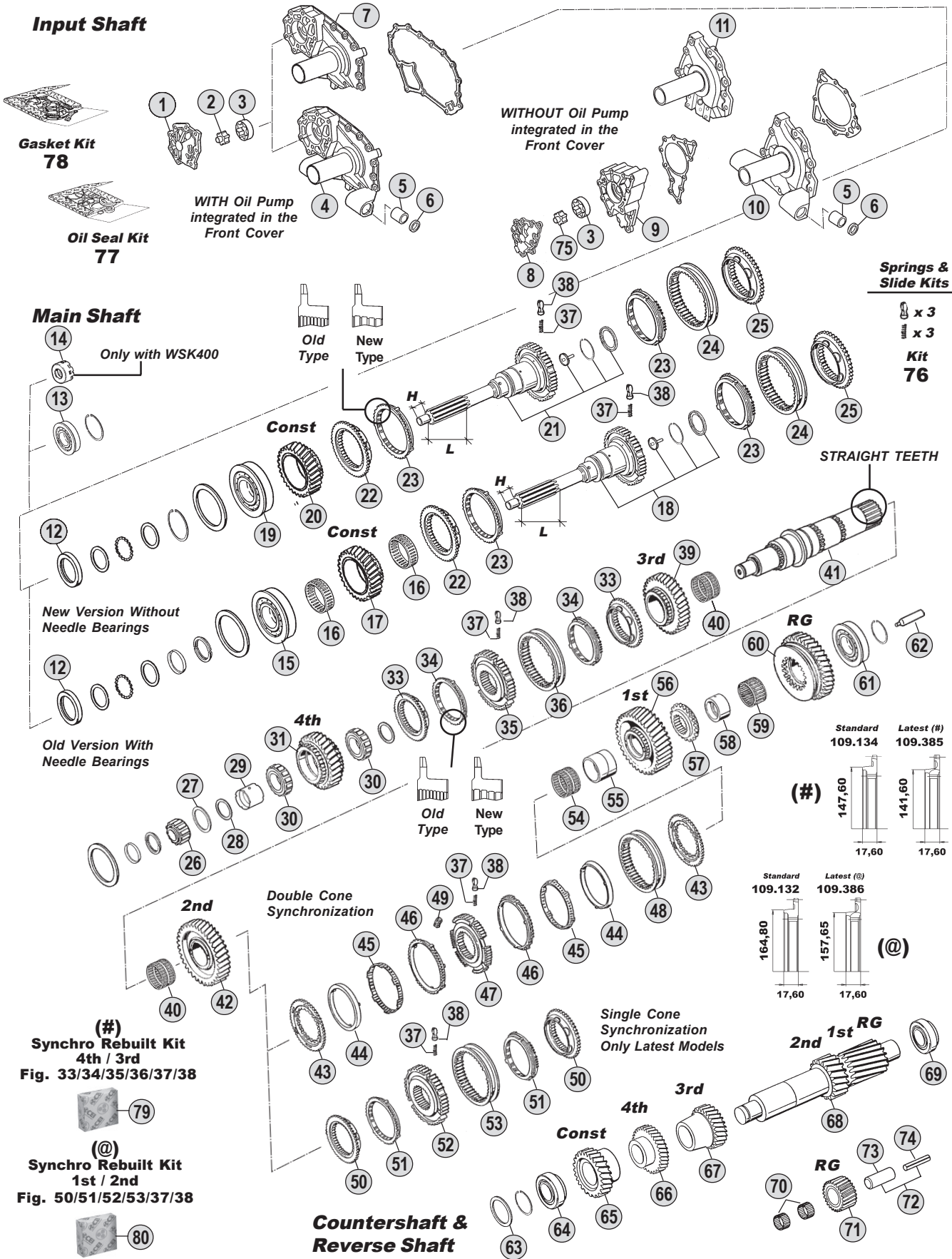
012 / A

ECO III

From 16S151  
To 16S221

Suitable To : **ZF**

**16S151 - 16S221**



All original equipment manufacturers' numbers, symbols, pictures, models and description used in this catalogue are for reference only, and it is not implied that any part listed is the product of these manufactures. Tutti i nostri particolari non sono originali ma con essi intercambiabili. I riferimenti originali, le figure, i modelli sono esposti a semplice titolo indicativo. La nostra produzione riporta il nostro marchio.

**Ratios**

|        |               |                 |                 |                 |               |
|--------|---------------|-----------------|-----------------|-----------------|---------------|
| 16S151 | A: 13,80-0,84 | B: 13,85 - 0,84 | C: 13,86 - 0,84 | D: 16,47 - 1,00 | E: 16,53-1,00 |
| 16S221 | A: 13,80-0,84 | B: --           | C: 13,86 - 0,84 | D: 16,47 - 1,00 | E: -          |



| Fig. | CEI no. | O.E.M. Reference |           | Description             | Q.ty | Note                | Ratio |   |   |  |  |  |
|------|---------|------------------|-----------|-------------------------|------|---------------------|-------|---|---|--|--|--|
|      |         | ZF no.           | IVECO no. |                         |      |                     |       |   |   |  |  |  |
| 21   | 190.310 | 1316 202 033     | 42536387  | Input Shaft             | 1    | L=63 H=46,5         |       | ● |   |  |  |  |
| 21   |         | 1316 202 038     |           | Input Shaft             | 1    |                     |       | ● |   |  |  |  |
| 21   |         | 1316 221 017     |           | Input Shaft             | 1    | NMV221 (Clutch PTO) |       | ● |   |  |  |  |
| 22   | 109.134 | 1312 304 027     | 93156419  | Synchronizer Cone       | 1    |                     |       | ● | ● |  |  |  |
| 23   | 119.119 | 1297 304 402     | 93159684  | Synchronizer Ring       | 2    | Old Type            |       | ● | ● |  |  |  |
| 23   | 119.167 | 1297 304 484     | 42532487  | Synchronizer Ring       | 2    | New Type            |       | ● | ● |  |  |  |
| 24   | 154.135 | 1310 304 202     | 42534465  | Sliding Sleeve          | 1    |                     |       | ● | ● |  |  |  |
| 25   | 109.133 | 1312 304 056     | 93156418  | Synchronizer Cone       | 1    |                     |       | ● | ● |  |  |  |
| 26   | 137.150 | 0750 117 232     | 93156500  | Roller Cage D.42x40,30  | 1    |                     |       | ● | ● |  |  |  |
| 27   |         | 1315 304 048     |           | Ring                    | 1    | S.8,00 mm           |       | ● | ● |  |  |  |
| 27   |         | 1315 304 043     | 93191196  | Ring                    | 1    | S.7,50 mm           |       | ● | ● |  |  |  |
| 28   | 169.776 | 0750 101 158     | 42535316  | Thrust Washer 81,5x5    | 1    | (6)                 |       | ● | ● |  |  |  |
| 29   | 117.321 | 0750 119 125     | 42536245  | Bush 67x77x54,1         | 1    | (6)                 |       | ● |   |  |  |  |
| 29   | 117.320 | 0750 119 124     | 42535317  | Bush D.67x77x66,10      | 1    | (6)                 |       |   | ● |  |  |  |
| 30   | 137.164 | 0750 115 534     | 2992189   | Roller Cage D.77x101x29 | 2    | (6)                 |       | ● |   |  |  |  |
| 30   | 137.156 | 0750 118 198     | 1905334   | Roller Cage D.67x101x32 | 2    | (3-4)               |       | ● |   |  |  |  |
| 30   | 137.136 | 0750 115 531     | 2991925   | Roller Cage D.77x101x29 | 2    | (6)                 |       |   | ● |  |  |  |
| 30   |         | 0750 118 258     | 1905369   | Roller Cage D.67x101x38 | 2    | (5)                 |       |   | ● |  |  |  |
| 31   | 146.431 | 1315 304 017     |           | Gear 4th Speed 30 T     | 1    |                     | AB    | ● |   |  |  |  |
| 31   | 146.320 | 1315 304 089     | 42532887  | Gear 4th Speed 32 T     | 1    |                     | CDE   | ● |   |  |  |  |
| 31   | 145.729 | 1315 304 010     | 93190520  | Gear 4th Speed          | 1    | Old (7)             | D     | ● |   |  |  |  |
| 31   | 146.410 | 1316 304 007     | 93192501  | Gear 4th Speed 30 T     | 1    |                     | A     |   | ● |  |  |  |
| 31   | 146.401 | 1316 304 103     | 42532747  | Gear 4th Speed 32 T     | 1    |                     | CD    |   | ● |  |  |  |
| 31   | 145.730 | 1316 304 006     | 93191189  | Gear 4th Speed          | 1    | Old (8)             | D     |   | ● |  |  |  |
| 33   | 109.134 | 1312 304 027     | 93156419  | Synchronizer Cone       | 2    |                     |       | ● | ● |  |  |  |
| 33   | 109.385 | 1316 304 159     |           | Synchronizer Cone       | 2    |                     | (#)   | ● | ● |  |  |  |
| 34   | 119.119 | 1297 304 402     | 93159684  | Synchronizer Ring       | 2    | Old Type            |       | ● | ● |  |  |  |
| 34   | 119.167 | 1297 304 484     | 42532487  | Synchronizer Ring       | 2    | New Type            |       | ● | ● |  |  |  |
| 34   | 119.217 | 1316 304 149     |           | Synchronizer Ring       | 2    |                     | (#)   | ● | ● |  |  |  |
| 35   | 157.180 | 1312 304 052     | 93156491  | Synchronizer Hub        | 1    |                     |       | ● | ● |  |  |  |
| 35   | 157.227 | 1316 304 162     |           | Synchronizer Hub        | 1    |                     | (#)   | ● | ● |  |  |  |
| 36   | 154.135 | 1310 304 202     | 42534465  | Sliding Sleeve          | 1    |                     |       | ● | ● |  |  |  |
| 34   | 154.357 | 1315 304 135     |           | Sliding Sleeve          | 1    |                     | (#)   | ● | ● |  |  |  |
| 37   | 156.140 | 0732 040 409     | 2967403   | Spring D.6,50x23,50     | 3    |                     |       | ● | ● |  |  |  |
| 38   | 160.189 | 1297 304 436     | 93156036  | Pressure Piece          | 3    |                     |       | ● | ● |  |  |  |
| 39   | 145.514 | 1315 304 028     |           | Gear 3rd Speed 32 T     | 1    |                     | AB    | ● |   |  |  |  |
| 39   | 145.456 | 1315 304 027     | 93190519  | Gear 3rd Speed 34 T     | 1    |                     | CDE   | ● |   |  |  |  |
| 39   | 145.488 | 1316 304 009     | 93192500  | Gear 3rd Speed 32 T     | 1    |                     | A     |   | ● |  |  |  |
| 39   | 145.473 | 1316 304 008     | 93191188  | Gear 3rd Speed 34 T     | 1    |                     | CD    |   | ● |  |  |  |
| 40   | 137.137 | 0735 321 087     | 1905329   | Needle Cage D.92x100x53 | 2    |                     |       | ● |   |  |  |  |
| 40   | 137.138 | 0750 115 303     | 93156451  | Needle Cage D.92x100x63 | 2    |                     |       |   | ● |  |  |  |
| 41   | 103.135 | 1315 304 130     | 93163894  | Main Shaft              | 1    |                     | ACD   | ● |   |  |  |  |
| 41   | 103.127 | 1315 304 029     |           | Main Shaft              | 1    |                     | BE    | ● |   |  |  |  |
| 41   | 103.128 | 1316 304 130     | 42535656  | Main Shaft              | 1    |                     |       |   | ● |  |  |  |
| 42   | 145.455 | 1315 304 026     |           | Gear 2nd Speed 37 T     | 1    |                     | AB    | ● |   |  |  |  |

## Notes

- (1) Only for Input S. 1315 202 048-1316 202 033  
 (2) Only for Input S. 1315 221 002-1316 221 017  
 (3) Only for Input S. 1315 202 022 - Old Version with Needle B.  
 (4) Only for Input S. 1315 202 012 - Old version with Needle B.  
 (5) Only for Input S. 1316 202 005 - Old version with Needle B.  
 (6) Do not use for Old version with Needle Bearings  
 (7) Old Version. Repl. By 1315 304 089+1315 303 050  
 (8) Old Version. Repl. By 1316 304 103+1316 303 065  
 (9) For model WITH integrated Oil Pump  
 (10) For model WITHOUT integrated Oil Pump  
 (11) Old Version. Use 1316 303 002 with 1316 303 053  
 (12) Old Version. Use 1316 303 001 with 1316 303 052  
 (13) Old Version. Repl. by 1 pc. Fig. 73 + 1 pc. Fig. 74 (\*) New Models only. Do NO MIX Single Cone S. with Double Cone S.  
 (#) Latest Synchro gen. DO NO MIX the two different version. To update the previous one use the synchro rebuilt kit fig. 79  
 (®) Latest Synchro gen. DO NO MIX the two different version. To update the previous one use the synchro rebuilt kit fig. 80

## Date

03 / 2006

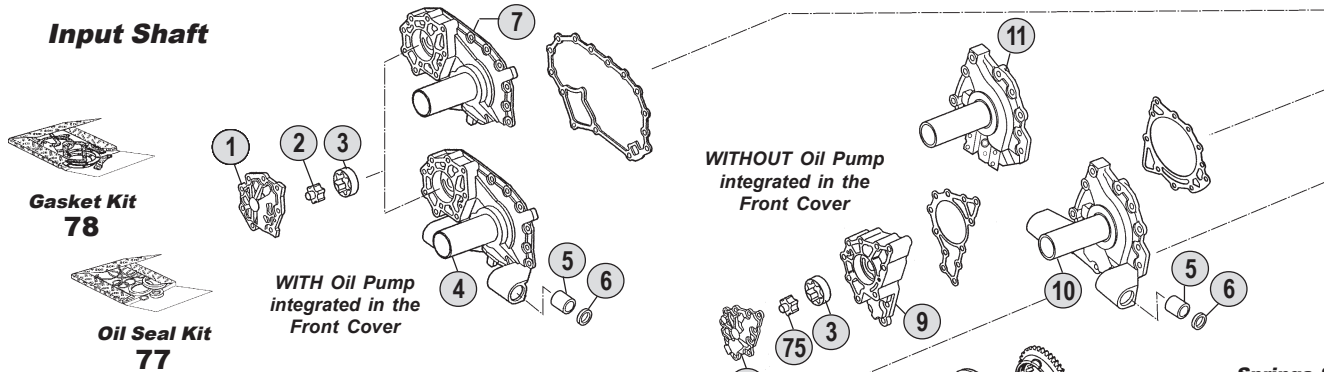
## Table

012 / A

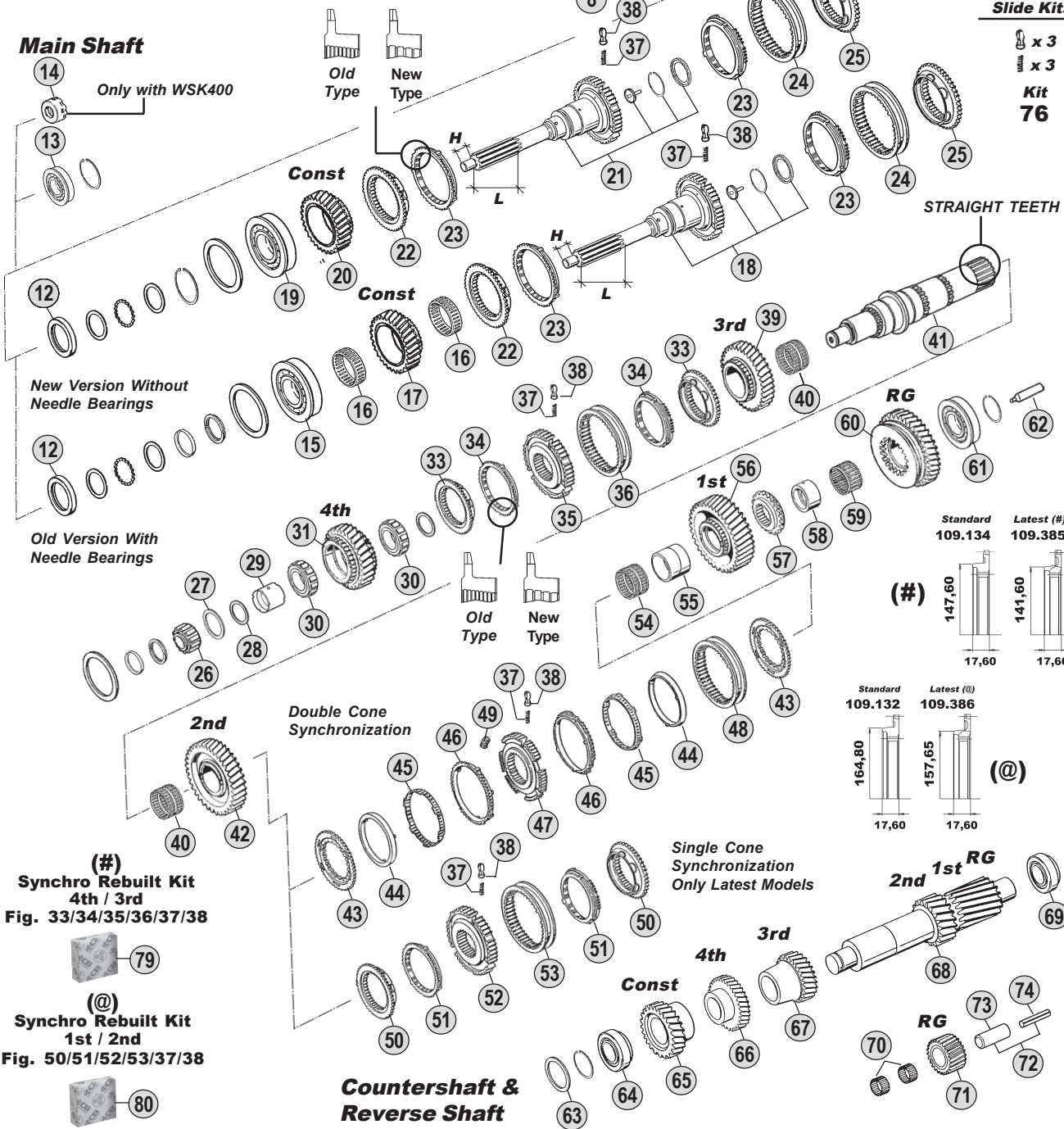
Suitable To : **ZF**

**16S151 - 16S221**

**Input Shaft**



**Main Shaft**



**(#)**  
**Synchro Rebuild Kit**  
4th / 3rd  
Fig. 33/34/35/36/37/38



**(@)**  
**Synchro Rebuild Kit**  
1st / 2nd  
Fig. 50/51/52/53/37/38



**Countershaft & Reverse Shaft**

**Ratios**

|               |               |                 |                 |                 |               |
|---------------|---------------|-----------------|-----------------|-----------------|---------------|
| <b>16S151</b> | A: 13,80-0,84 | B: 13,85 - 0,84 | C: 13,86 - 0,84 | D: 16,47 - 1,00 | E: 16,53-1,00 |
| <b>16S221</b> | A: 13,80-0,84 | B: --           | C: 13,86 - 0,84 | D: 16,47 - 1,00 | E: -          |



All original equipment manufacturers' numbers, symbols, pictures, models and description used in this catalogue are for reference only, and it is not implied that any part listed is the product of these manufacturers. Tutti i nostri particolari non sono originali ma con essi intercambiabili. I riferimenti originali, le figure, i modelli sono esposti a semplice titolo indicativo. La nostra produzione riporta il nostro marchio.

| Fig. | CEI no. | O.E.M. Reference |           | Description             | Q.ty | Note           | Ratio |               |               |  |  |  |  |  |
|------|---------|------------------|-----------|-------------------------|------|----------------|-------|---------------|---------------|--|--|--|--|--|
|      |         | ZF no.           | IVECO no. |                         |      |                |       | 16S151 (1315) | 16S221 (1316) |  |  |  |  |  |
| 42   | 145.454 | 1315 304 025     | 93190515  | Gear 2nd Speed 38 T     | 1    |                | CDE   | ●             |               |  |  |  |  |  |
| 42   | 145.515 | 1316 304 003     | 93192497  | Gear 2nd Speed 37 T     | 1    |                | A     |               | ●             |  |  |  |  |  |
| 42   | 145.474 | 1316 304 002     | 93191184  | Gear 2nd Speed 38 T     | 1    |                | CD    |               | ●             |  |  |  |  |  |
| 43   | 109.176 | 1312 304 106     | 93156573  | Synchronizer Cone       | 2    |                |       | ●             | ●             |  |  |  |  |  |
| 44   | 119.152 | 1268 304 424     | 93156454  | Intermediate Ring       | 2    |                |       | ●             | ●             |  |  |  |  |  |
| 45   | 119.153 | 1268 304 494     | 42534458  | Intermediate Cone       | 2    |                |       | ●             | ●             |  |  |  |  |  |
| 46   | 119.144 | 1268 304 525     | 93156456  | Synchronizer Ring       | 2    |                |       | ●             | ●             |  |  |  |  |  |
| 47   | 157.181 | 1312 304 158     | 93163871  | Synchronizer Hub        | 1    |                |       | ●             | ●             |  |  |  |  |  |
| 48   | 154.190 | 1310 304 175     | 42532878  | Sliding Sleeve          | 1    |                |       | ●             | ●             |  |  |  |  |  |
| 49   | 156.176 | 1312 304 159     | 42531384  | Pad                     | 3    |                |       | ●             | ●             |  |  |  |  |  |
| 50   | 109.132 | 1313 304 009     | 93163896  | Synchronizer Cone       | 2    | (*)            |       | ●             | ●             |  |  |  |  |  |
| 50   | 109.386 | 1316 304 156     |           | Synchronizer Cone       | 2    |                | (@)   | ●             | ●             |  |  |  |  |  |
| 51   | 119.122 | 1297 304 401     | 93160314  | Synchronizer Ring       | 2    | (*) Old Type   |       | ●             | ●             |  |  |  |  |  |
| 51   | 119.166 | 1297 304 485     | 42534634  | Synchronizer Ring       | 2    | (*) New Type   |       | ●             | ●             |  |  |  |  |  |
| 51   | 119.218 | 1316 304 150     |           | Synchronizer Ring       | 2    |                | (@)   | ●             | ●             |  |  |  |  |  |
| 52   | 157.189 | 1313 304 008     | 93160380  | Synchronizer Hub        | 1    | (*)            |       | ●             | ●             |  |  |  |  |  |
| 52   | 157.228 | 1316 304 163     |           | Synchronizer Hub        | 1    |                | (@)   | ●             | ●             |  |  |  |  |  |
| 53   | 154.202 | 1316 304 078     | 42534633  | Sliding Sleeve          | 1    | (*)            |       | ●             | ●             |  |  |  |  |  |
| 53   | 154.358 | 1315 304 136     |           | Sliding Sleeve          | 1    |                | (@)   | ●             | ●             |  |  |  |  |  |
| 54   | 137.160 | 0750 115 325     | 1905330   | Needle Cage D.96x104x55 | 1    |                |       | ●             |               |  |  |  |  |  |
| 54   | 137.151 | 0750 115 327     | 93156462  | Needle Cage D.96x104x72 | 1    |                |       |               | ●             |  |  |  |  |  |
| 55   | 117.294 | 1313 304 038     | 93163897  | Bush                    | 1    |                |       | ●             |               |  |  |  |  |  |
| 55   | 117.310 | 1312 304 084     | 93156461  | Bush D.85x96x72         | 1    |                |       |               | ●             |  |  |  |  |  |
| 56   | 145.453 | 1315 304 014     |           | Gear 1st Speed 44 T     | 1    |                | AB    | ●             |               |  |  |  |  |  |
| 56   | 145.452 | 1315 304 004     | 93190516  | Gear 1st Speed 47 T     | 1    |                | CDE   | ●             |               |  |  |  |  |  |
| 56   | 145.522 | 1316 304 013     | 93192498  | Gear 1st Speed 44 T     | 1    |                | A     |               | ●             |  |  |  |  |  |
| 56   | 145.475 | 1316 304 010     | 93191185  | Gear 1st Speed 47 T     | 1    |                | CD    |               | ●             |  |  |  |  |  |
| 57   | 109.144 | 1315 304 018     | 93190517  | Engaging Ring           | 1    |                |       | ●             |               |  |  |  |  |  |
| 57   | 109.163 | 1312 304 124     | 93191186  | Engaging Ring           | 1    |                |       |               | ●             |  |  |  |  |  |
| 58   | 117.293 | 1315 304 132     | 42534635  | Bush                    | 1    |                |       | ●             |               |  |  |  |  |  |
| 58   | 117.311 | 1316 304 133     | 42534705  | Bush D.80x90x50         | 1    |                |       |               | ●             |  |  |  |  |  |
| 59   | 137.162 | 0750 115 324     | 1905331   | Roller Cage D.90x98x41  | 1    |                |       | ●             |               |  |  |  |  |  |
| 59   | 137.140 | 0750 115 326     | 93156466  | Roller Cage D.90x98x50  | 1    |                |       |               | ●             |  |  |  |  |  |
| 60   | 147.124 | 1315 304 013     |           | Reverse Gear 42 T       | 1    |                | AB    | ●             |               |  |  |  |  |  |
| 60   | 147.123 | 1315 304 006     | 93190518  | Reverse Gear 44 T       | 1    |                | CDE   | ●             |               |  |  |  |  |  |
| 60   | 147.144 | 1316 304 015     | 93192499  | Reverse Gear 42 T       | 1    |                | A     |               | ●             |  |  |  |  |  |
| 60   | 147.128 | 1316 304 012     | 93191187  | Reverse Gear 44 T       | 1    |                | CD    |               | ●             |  |  |  |  |  |
| 61   | 130.309 | 0750 117 677     | 1905486   | Bearing D.80x130x36     | 1    |                |       | ●             |               |  |  |  |  |  |
| 61   | 130.304 | 0750 117 678     | 1905102   | Bearing D.80x140x36,50  | 1    |                |       |               | ●             |  |  |  |  |  |
| 62   | 188.209 | 1312 304 150     | 93193506  | Oil Tube                | 1    |                |       | ●             | ●             |  |  |  |  |  |
| 63   |         | 0730 102 099     | 2968027   | Washer                  | 1    | S.3,00 mm (9)  |       | ●             |               |  |  |  |  |  |
| 63   |         | 0730 102 072     |           | Washer                  | 1    | S.2,00 mm (9)  |       | ●             |               |  |  |  |  |  |
| 63   |         | 0730 106 917     | 93156423  | Washer                  | 1    | S.3,00 mm (10) |       | ●             |               |  |  |  |  |  |
| 63   |         | 0730 101 471     | 93156443  | Washer                  | 1    | S.2,00 mm (10) |       | ●             |               |  |  |  |  |  |
| 63   |         | 0730 106 917     | 93156423  | Washer                  | 1    | S.3,00 mm      |       | ●             |               |  |  |  |  |  |

## Notes

- (1) Only for Input S. 1315 202 048-1316 202 033  
 (2) Only for Input S. 1315 221 002-1316 221 017  
 (3) Only for Input S. 1315 202 022 - Old Version with Needle B.  
 (4) Only for Input S. 1315 202 012 - Old version with Needle B.  
 (5) Only for Input S. 1316 202 005 - Old version with Needle B.  
 (6) Do not use for Old version with Needle Bearings  
 (7) Old Version. Repl. By 1315 304 089+1315 303 050  
 (8) Old Version. Repl. By 1316 304 103+1316 303 065  
 (9) For model WITH integrated Oil Pump  
 (10) For model WITHOUT integrated Oil Pump  
 (11) Old Version. Use 1316 303 002 with 1316 303 053  
 (12) Old Version. Use 1316 303 001 with 1316 303 052  
 (13) Old Version. Repl. by 1 pc. Fig. 73 + 1 pc. Fig. 74  
 (\*) New Models only. **DO NO MIX** Single Cone S. with Double Cone S.  
 @) Latest Synchro gen. **DO NO MIX** the two different version. To update the previous one use the **synchro rebuilt kit fig. 79**  
 @) Latest Synchro gen. **DO NO MIX** the two different version. To update the previous one use the **synchro rebuilt kit fig. 70**

## Date

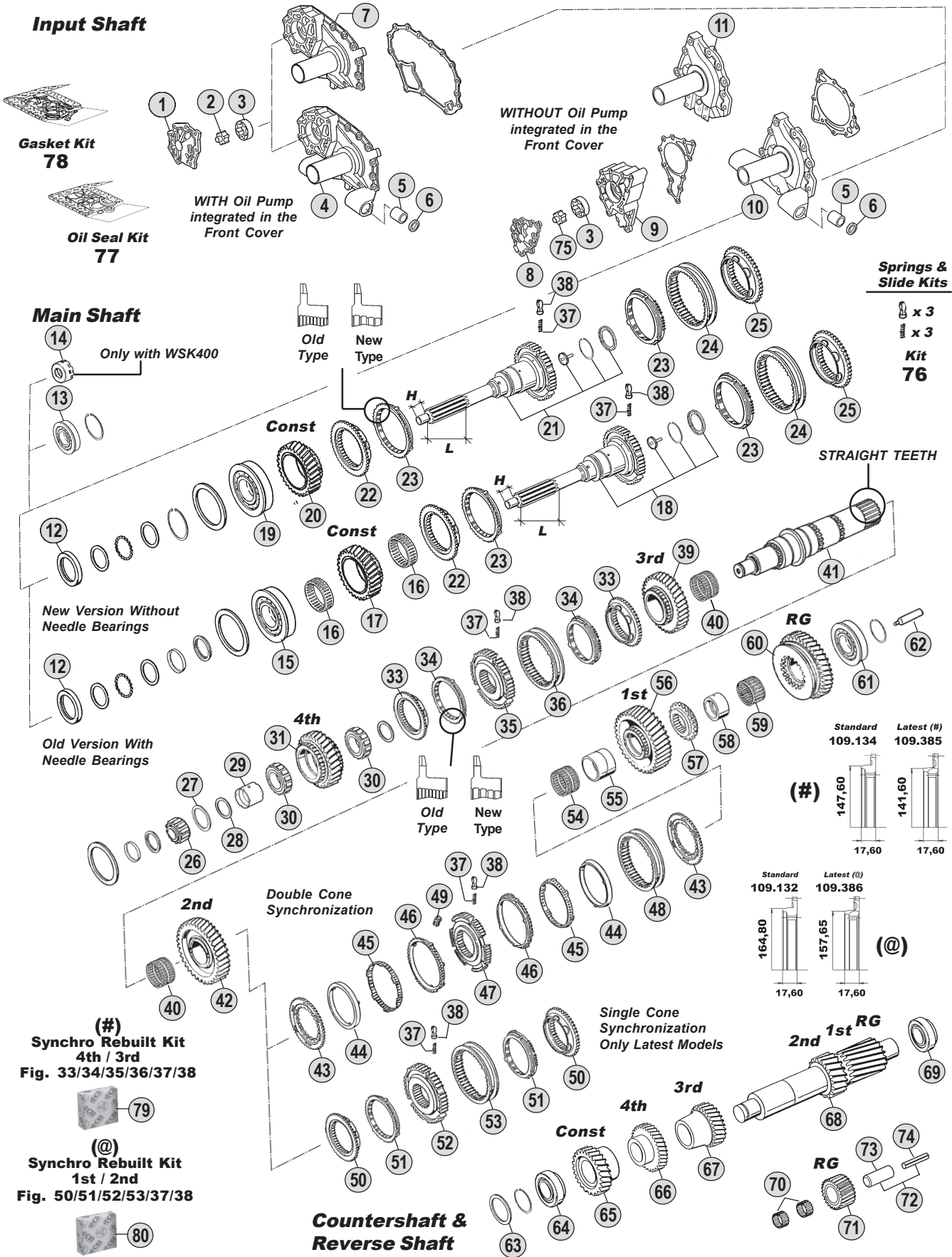
03 / 2006

## Table

012 / A

Suitable To : **ZF**

**16S151 - 16S221**



**Ratios**

|               |               |                 |                 |                 |               |
|---------------|---------------|-----------------|-----------------|-----------------|---------------|
| <b>16S151</b> | A: 13,80-0,84 | B: 13,85 - 0,84 | C: 13,86 - 0,84 | D: 16,47 - 1,00 | E: 16,53-1,00 |
| <b>16S221</b> | A: 13,80-0,84 | B: --           | C: 13,86 - 0,84 | D: 16,47 - 1,00 | E: -          |

All original equipment manufacturers' numbers, symbols, pictures, models and description used in this catalogue are for reference only, and it is not implied that any part listed is the product of these manufactures. Tutti i nostri particolari non sono originali ma con essi intercambiabili. I riferimenti originali, le figure, i modelli sono esposti a semplice titolo indicativo. La nostra produzione riporta il nostro marchio.

| Fig. | O.E.M. Reference |              | Description | Q.ty                      | Note | Ratio     |           |               |               |  |  |  |  |
|------|------------------|--------------|-------------|---------------------------|------|-----------|-----------|---------------|---------------|--|--|--|--|
|      | CEI no.          | ZF no.       |             |                           |      |           | IVECO no. | 16S151 (1315) | 16S221 (1316) |  |  |  |  |
| 63   |                  | 0730 101 471 | 93156443    | Washer                    | 1    | S.2,00 mm | ●         |               |               |  |  |  |  |
| 64   | 130.242          | 0750 117 010 | 42492259    | Bearing D.50,80x100x35    | 1    | (9)       | ●         |               |               |  |  |  |  |
| 64   | 130.308          | 0750 117 009 | 7982090     | Bearing D.49,2x103,1x43,6 | 1    | (10)      | ●         |               |               |  |  |  |  |
| 64   | 130.308          | 0750 117 009 | 7982090     | Bearing D.49,2x103,1x43,6 | 1    |           | ●         |               |               |  |  |  |  |
| 65   | 146.427          | 1315 303 052 |             | Constant Gear 37 T        | 1    |           | ●         | AB            |               |  |  |  |  |
| 65   | 146.473          | 1315 303 051 | 42534908    | Constant Gear 32 T        | 1    |           | ●         | C             |               |  |  |  |  |
| 65   | 146.367          | 1315 303 008 | 93190513    | Constant Gear 39 T        | 1    |           | ●         | DE            |               |  |  |  |  |
| 65   | 146.407          | 1316 303 031 | 93194242    | Constant Gear 37 T        | 1    |           | ●         | A             |               |  |  |  |  |
| 65   | 146.428          | 1316 303 002 | 93192495    | Constant Gear 37 T        | 1    | Old (11)  | ●         | A             |               |  |  |  |  |
| 65   | 146.469          | 1316 303 064 | 42534749    | Constant Gear 32 T        | 1    |           | ●         | C             |               |  |  |  |  |
| 65   | 146.486          | 1316 303 030 | 93194080    | Constant Gear 39 T        | 1    |           | ●         | D             |               |  |  |  |  |
| 65   | 146.388          | 1316 303 001 | 93191182    | Constant Gear 39 T        | 1    | Old (12)  | ●         | D             |               |  |  |  |  |
| 66   | 146.429          | 1315 303 046 |             | Gear 4th Speed 39 T       | 1    |           | ●         | AB            |               |  |  |  |  |
| 66   | 146.474          | 1315 303 050 | 42532886    | Gear 4th Speed 35 T       | 1    |           | ●         | CDE           |               |  |  |  |  |
| 66   | 146.389          | 1315 303 006 | 93190514    | Gear 4th Speed 37 T       | 1    | Old (7)   | ●         | D             |               |  |  |  |  |
| 66   | 146.408          | 1316 303 004 | 93192496    | Gear 4th Speed 39 T       | 1    |           | ●         | A             |               |  |  |  |  |
| 66   | 146.426          | 1316 303 065 | 42532748    | Gear 4th Speed 35 T       | 1    |           | ●         | CD            |               |  |  |  |  |
| 66   | 146.390          | 1316 303 003 | 93191183    | Gear 4th Speed 37 T       | 1    | Old (8)   | ●         | D             |               |  |  |  |  |
| 67   | 146.368          | 1315 303 010 |             | Gear 3rd Speed 28 T       | 1    |           | ●         | AB            |               |  |  |  |  |
| 67   | 146.365          | 1315 303 004 | 93190512    | Gear 3rd Speed 26 T       | 1    |           | ●         | CDE           |               |  |  |  |  |
| 67   | 146.409          | 1316 303 006 | 93192494    | Gear 3rd Speed 28 T       | 1    |           | ●         | A             |               |  |  |  |  |
| 67   | 146.391          | 1316 303 005 | 93191181    | Gear 3rd Speed 26 T       | 1    |           | ●         | CD            |               |  |  |  |  |
| 68   | 105.112          | 1315 303 048 |             | Countershaft 19-23 T      | 1    | (9)       | ●         | AB            |               |  |  |  |  |
| 68   | 105.095          | 1315 303 049 | 42532787    | Countershaft 17-20 T      | 1    | (9)       | ●         | DE            |               |  |  |  |  |
| 68   | 105.109          | 1315 303 041 |             | Countershaft 19-23 T      | 1    | (10)      | ●         | A             |               |  |  |  |  |
| 68   | 105.124          | 1315 303 042 | 93193579    | Countershaft 17-20 T      | 1    | (10)      | ●         | CD            |               |  |  |  |  |
| 68   | 105.103          | 1316 303 034 | 93194241    | Countershaft 19-23 T      | 1    |           | ●         | A             |               |  |  |  |  |
| 68   | 105.110          | 1316 303 053 | 42534435    | Countershaft 19-23 T      | 1    | (11)      | ●         | A             |               |  |  |  |  |
| 68   | 105.100          | 1316 303 033 | 93194079    | Countershaft 17-20 T      | 1    |           | ●         | CD            |               |  |  |  |  |
| 68   | 105.096          | 1316 303 052 | 42532939    | Countershaft 17-20 T      | 1    | (12)      | ●         | D             |               |  |  |  |  |
| 69   | 130.307          | 0750 117 011 | 1905328     | Bearing D.50,8x104,7x39,6 | 1    |           | ●         |               |               |  |  |  |  |
| 69   | 130.308          | 0750 117 009 | 7982090     | Bearing D.49,2x103,1x43,6 | 1    |           | ●         |               |               |  |  |  |  |
| 70   | 137.135          | 0750 115 366 | 1905342     | Needle Cage D.45x57x21    | 2    |           | ●         |               |               |  |  |  |  |
| 70   | 137.149          | 0750 115 369 | 1905368     | Needle Cage D.45x57x25    | 2    |           | ●         |               |               |  |  |  |  |
| 71   | 147.142          | 1315 305 005 |             | Reverse Gear 20 T         | 1    |           | ●         | AB            |               |  |  |  |  |
| 71   | 147.126          | 1315 305 002 | 93190486    | Reverse Gear 22 T         | 1    |           | ●         | CDE           |               |  |  |  |  |
| 71   | 147.143          | 1316 305 002 | 93192488    | Reverse Gear 20 T         | 1    |           | ●         | A             |               |  |  |  |  |
| 71   | 147.127          | 1316 305 001 | 93191173    | Reverse Gear 22 T         | 1    |           | ●         | CD            |               |  |  |  |  |
| 72   |                  | 1315 201 054 |             | Reverse Shaft             | 1    | Old (13)  | ●         | AB            |               |  |  |  |  |
| 72   |                  | 1315 201 053 |             | Reverse Shaft             | 1    | Old (13)  | ●         | CDE           |               |  |  |  |  |
| 72   |                  | 1316 201 030 |             | Reverse Shaft             | 1    | Old (13)  | ●         | A             |               |  |  |  |  |
| 72   | 190.301          | 1316 201 029 | 93191174    | Reverse Shaft             | 1    | Old (13)  | ●         | CD            |               |  |  |  |  |
| 73   | 190.302          | 1315 305 009 | 93191222    | Reverse Shaft             | 1    | New       | ●         |               |               |  |  |  |  |
| 74   |                  | 0631 329 293 |             | Pin                       | 1    | New       | ●         | AB            |               |  |  |  |  |
| 74   |                  | 0631 329 294 | 93191223    | Pin                       | 1    | New       | ●         | CDE           |               |  |  |  |  |

## Notes

- (1) Only for Input S. 1315 202 048-1316 202 033  
 (2) Only for Input S. 1315 221 002-1316 221 017  
 (3) Only for Input S. 1315 202 022 - Old Version with Needle B.  
 (4) Only for Input S. 1315 202 012 - Old version with Needle B.  
 (5) Only for Input S. 1316 202 005 - Old version with Needle B.  
 (6) Do not use for Old version with Needle Bearings  
 (7) Old Version. Repl. By 1315 304 089+ 1315 303 050  
 (8) Old Version. Repl. By 1316 304 103+ 1316 303 065  
 (9) For model WITH integrated Oil Pump  
 (10) For model WITHOUT integrated Oil Pump  
 (11) Old Version. Use 1316 303 002 with 1316 303 053  
 (12) Old Version. Use 1316 303 001 with 1316 303 052  
 (13) Old Version. Repl. by 1 pc. Fig. 73 + 1 pc. fig. 74 (\*) New Models only. DO NO MIX Single Cone S. with Double Cone S.  
 (#) Latest Synchro gen. DO NO MIX the two different version. To update the previous one use the synchro rebuilt kit fig. 79  
 (@) Latest Synchro gen. DO NO MIX the two different version. To update the previous one use the synchro rebuilt kit fig. 80

## Date

03 / 2006

## Table

012 / A



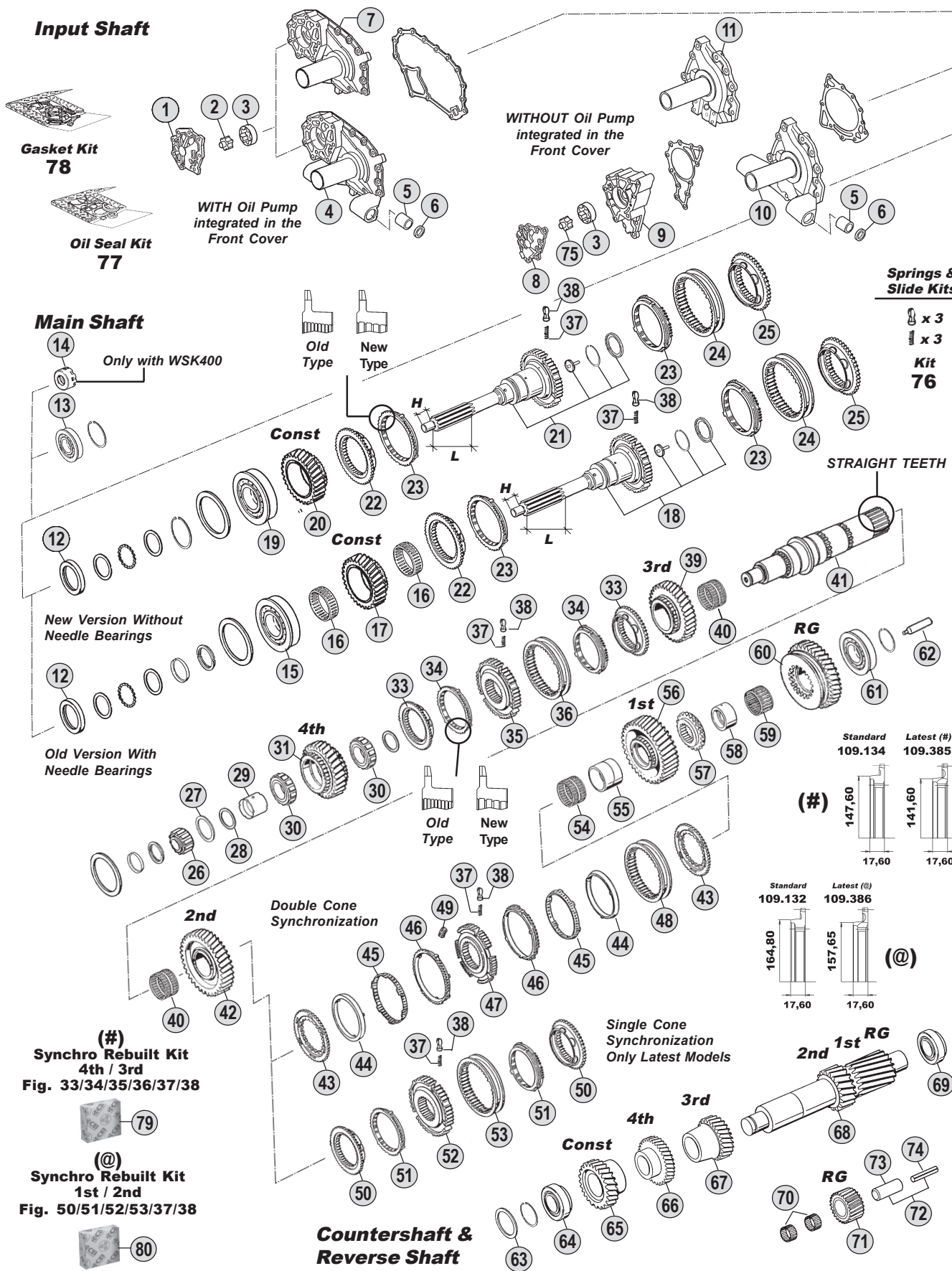
HIGH FIDELITY SPARE PARTS

**ECO III**  
 From 16S151  
 To 16S221



Suitable To : **ZF**

**16S151 - 16S221**



All original equipment manufacturers' numbers, symbols, pictures, models and description used in this catalogue are for reference only, and it is not implied that any part listed is the product of these manufactures. Tutti i nostri particolari non sono originali ma con essi intercambiabili. I riferimenti originali, le figure, i modelli sono esposti a semplice titolo indicativo. La nostra produzione riporta il nostro marchio.

**Ratios**

|               |               |                 |                 |                 |               |
|---------------|---------------|-----------------|-----------------|-----------------|---------------|
| <b>16S151</b> | A: 13,80-0,84 | B: 13,85 - 0,84 | C: 13,86 - 0,84 | D: 16,47 - 1,00 | E: 16,53-1,00 |
| <b>16S221</b> | A: 13,80-0,84 | B: --           | C: 13,86 - 0,84 | D: 16,47 - 1,00 | E: -          |

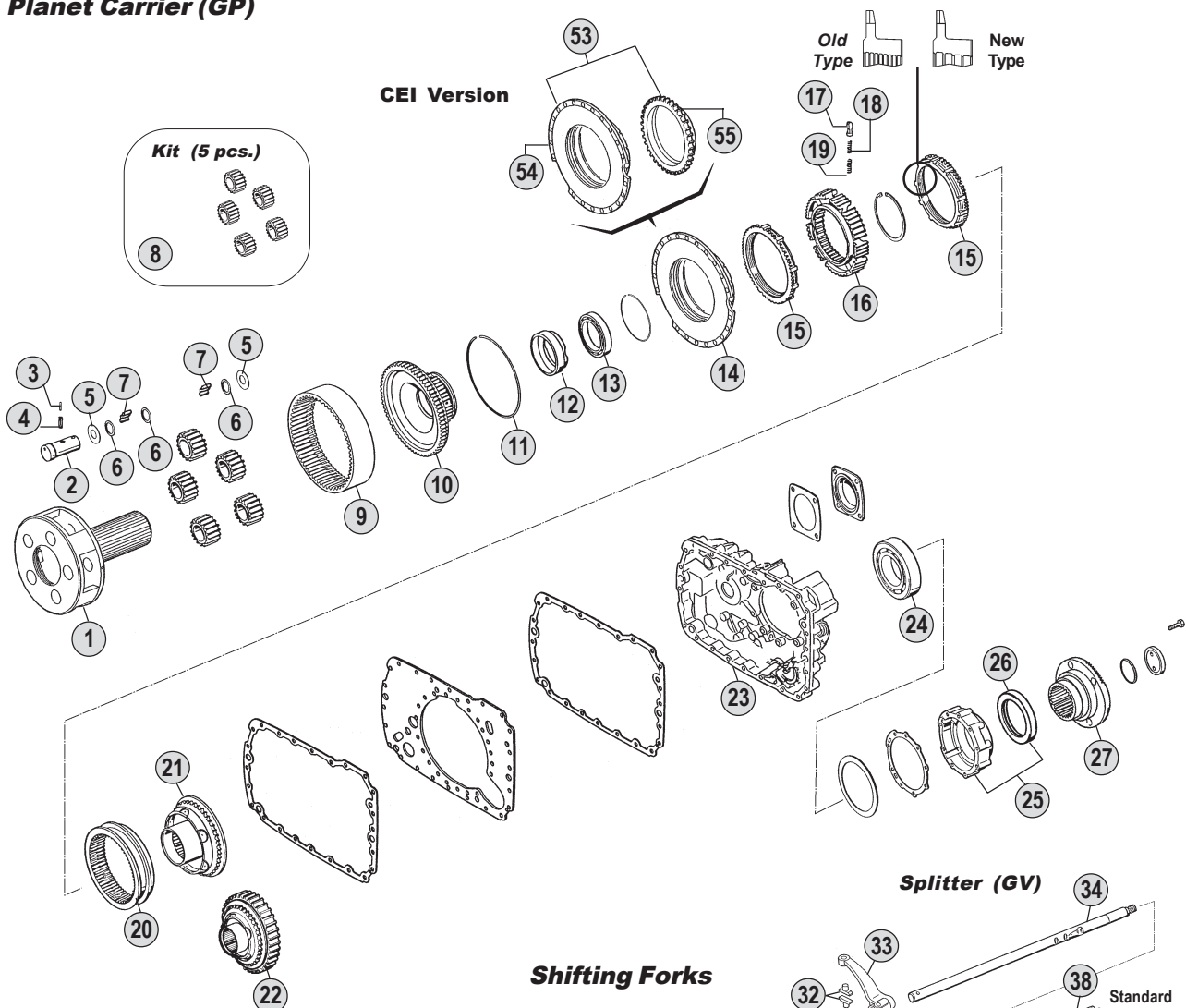




Suitable To : **ZF**

**16S151 - 16S221**

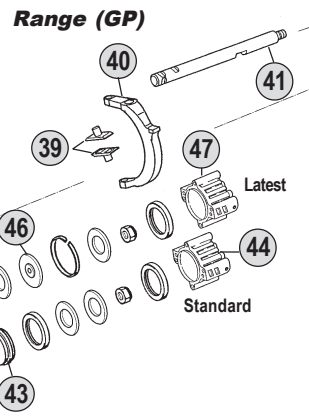
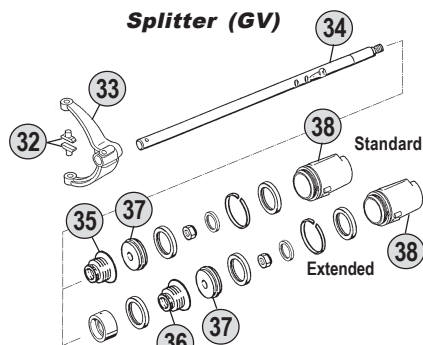
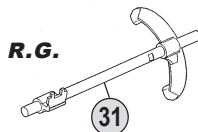
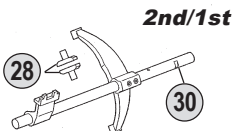
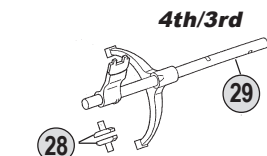
**Planet Carrier (GP)**



**Springs & Slides Kits**

|               |               |               |
|---------------|---------------|---------------|
| x 3           | x 6           | x 9           |
| x 3           | x 6           | x 9           |
| x 3           | x 6           | x 9           |
| <b>Kit 48</b> | <b>Kit 49</b> | <b>Kit 50</b> |

**Kits**



**Ratios**

|               |               |                 |                 |                 |               |
|---------------|---------------|-----------------|-----------------|-----------------|---------------|
| <b>16S151</b> | A: 13,80-0,84 | B: 13,85 - 0,84 | C: 13,86 - 0,84 | D: 16,47 - 1,00 | E: 16,53-1,00 |
| <b>16S221</b> | A: 13,80-0,84 | B: --           | C: 13,86 - 0,84 | D: 16,47 - 1,00 | E: -          |

| Fig. | CEI no. | O.E.M. Reference |           | Description                     | Q.ty | Note          | Ratio |   |   |  |  |  |
|------|---------|------------------|-----------|---------------------------------|------|---------------|-------|---|---|--|--|--|
|      |         | ZF no.           | IVECO no. |                                 |      |               |       |   |   |  |  |  |
| 1    | 190.393 | 1296 232 002     | 93163912  | Planetary Carrier               | 1    |               |       | ● |   |  |  |  |
| 1    | 190.392 | 1316 232 006     | 42537518  | Planetary Carrier               | 1    |               |       | ● |   |  |  |  |
| 2    | 107.164 | 1296 332 005     | 93163915  | Planet Shaft                    | 5    |               |       | ● |   |  |  |  |
| 2    | 107.165 | 1312 332 026     | 8198829   | Planet Shaft                    | 5    |               | BC    | ● |   |  |  |  |
| 3    | 160.195 | 0631 329 167     | 93191213  | Lock Pin D.3x26                 | 5    |               |       | ● | ● |  |  |  |
| 4    | 160.194 | 0631 329 051     | 93191212  | Lock Pin D.5x26                 | 5    |               |       | ● | ● |  |  |  |
| 5    | 169.759 | 0501 308 981     | 93156113  | Thrust Washer                   | 10   |               |       | ● | ● |  |  |  |
| 6    | 169.744 | 0730 107 168     | 8198826   | Spacer Ring                     | 15   |               |       | ● | ● |  |  |  |
| 7    | 171.046 | 0735 470 164     | 93163914  | Roller D.10x15                  | 140  |               |       | ● |   |  |  |  |
| 7    | 171.062 | 0750 119 116     | 93191132  | Roller D.10x16,8                | 140  |               |       |   | ● |  |  |  |
| 8    | 198.800 | 1313 232 003     | 93163913  | Planetary Gear Set (5 pcs)      | 1    |               | ACD   | ● |   |  |  |  |
| 8    | 198.816 | 1315 232 001     |           | Planetary Gear Set (5 pcs)      | 1    |               | BE    | ● |   |  |  |  |
| 8    | 198.801 | 1312 232 014     | 8198825   | Planetary Gear Set (5 pcs)      | 1    |               |       |   | ● |  |  |  |
| 9    | 123.208 | 1295 332 086     | 8198832   | Crown Gear 86 T                 | 1    |               | ACD   | ● |   |  |  |  |
| 9    | 123.221 | 1315 332 003     |           | Crown Gear 90 T                 | 1    |               | BE    | ● |   |  |  |  |
| 9    | 123.208 | 1295 332 086     | 8198832   | Crown Gear 86 T                 | 1    |               |       |   | ● |  |  |  |
| 10   | 150.133 | 1313 332 020     | 93163916  | Flange Gear 86 T                | 1    |               | ACD   | ● |   |  |  |  |
| 10   | 150.140 | 1315 332 002     |           | Flange Gear 90 T                | 1    |               | BE    | ● |   |  |  |  |
| 10   | 150.134 | 1297 332 120     | 8198830   | Flange Gear 86 T                | 1    |               |       |   | ● |  |  |  |
| 11   | 111.198 | 0730 505 056     | 8198833   | Locking Wire                    | 1    |               |       | ● | ● |  |  |  |
| 12   |         | 1297 332 002     | 42492428  | Ring                            | 1    |               |       | ● |   |  |  |  |
| 13   | 130.310 | 0750 116 165     | 42492449  | Bearing D.80x110x16             | 1    |               |       | ● |   |  |  |  |
| 13   | 130.311 | 0635 338 035     | 8195468   | Bearing D.100x125x13            | 1    |               |       |   | ● |  |  |  |
| 14   | 298.017 | 1315 233 006     | 93191215  | Synchronizer Cone               | 1    |               |       | ● | ● |  |  |  |
| 15   | 119.085 | 1296 333 022     | 7982226   | Synchronizer Ring               | 2    | Old Type      |       | ● | ● |  |  |  |
| 15   | 119.172 | 1296 333 045     | 42532826  | Synchronizer Ring               | 2    | New Type      |       | ● | ● |  |  |  |
| 16   | 157.182 | 1313 333 001     | 93163920  | Synchronizer Hub                | 1    |               |       | ● |   |  |  |  |
| 16   | 157.183 | 1297 333 115     | 8198839   | Synchronizer Hub                | 1    |               |       |   | ● |  |  |  |
| 17   | 160.116 | 1240 304 278     | 2960200   | Pressure Piece                  | 9    |               |       | ● | ● |  |  |  |
| 18   | 156.036 | 0732 040 386     | 9931785   | Inner Spring De.3x34            | 9    |               |       | ● | ● |  |  |  |
| 19   | 156.037 | 0732 040 385     | 8832940   | Outer Spring De.6x34            | 9    |               |       | ● | ● |  |  |  |
| 20   | 154.098 | 1296 333 023     | 7982227   | Sliding Sleeve                  | 1    |               |       | ● | ● |  |  |  |
| 21   | 198.374 | 1313 233 001     | 93156049  | Synchronizer Cone (38 Spl.)     | 1    |               |       | ● |   |  |  |  |
| 21   | 198.790 | 1297 233 056     | 8198840   | Synchronizer Cone (41 Spl.)     | 1    |               |       |   | ● |  |  |  |
| 22   | 196.353 | 1315 233 023     | 93193590  | Synchronizer Cone 59 T (38 Spl) | 1    | With Retarder |       | ● |   |  |  |  |
| 22   | 196.352 | 1316 233 010     | 93193369  | Synchronizer Cone 59 T (41 Spl) | 1    | With Retarder |       |   | ● |  |  |  |
| 23   |         | 1315 301 117     | 93192800  | Housing                         | 1    |               |       | ● | ● |  |  |  |
| 23   | 175.242 | 1315 301 223     | 42536600  | Housing                         | 1    |               |       | ● | ● |  |  |  |
| 24   | 130.245 | 0750 116 002     | 7982088   | Bearing D.90x160x30             | 1    |               |       | ● | ● |  |  |  |
| 25   |         | 1315 231 004     |           | Cover                           | 1    |               |       | ● | ● |  |  |  |
| 26   |         | 0750 111 341     | 93194330  | Oil Seal 105x130x12             | 1    |               |       | ● | ● |  |  |  |
| 27   |         | 1315 338 002     | 42534812  | Output Flange                   | 1    | D.180-4 H.    |       | ● |   |  |  |  |
| 27   |         | 1313 338 002     | 93163919  | Output Flange                   | 1    | D.180-4 H.    |       | ● |   |  |  |  |
| 27   |         | 1313 338 011     |           | Output Flange                   | 1    | D.204-4 H.    |       | ● |   |  |  |  |
| 27   |         | 1315 238 001     |           | Output Flange                   | 1    | D.222-4 H.    |       | ● |   |  |  |  |

Notes

Date

03 / 2006

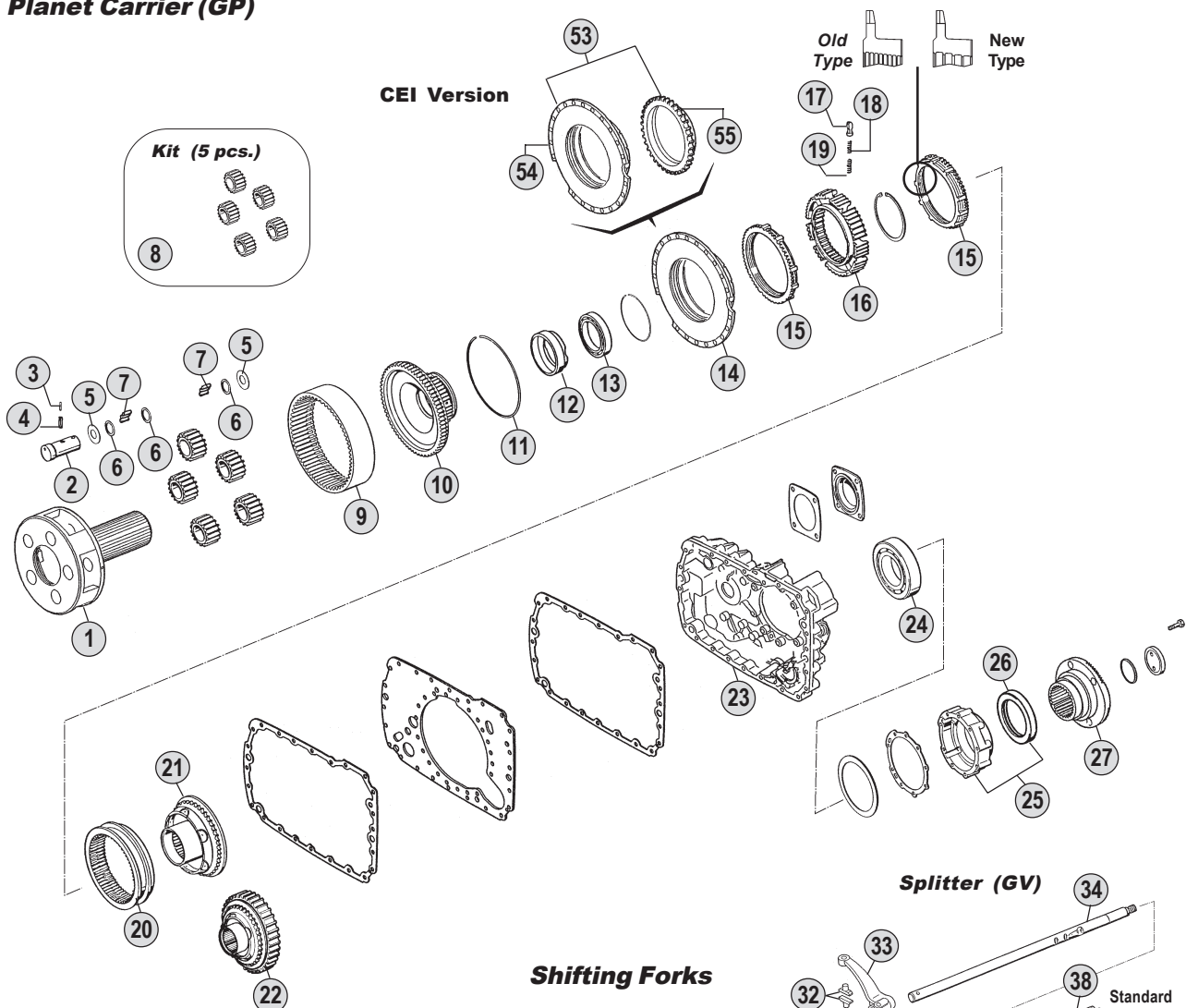
Table

012 / B

Suitable To : **ZF**

**16S151 - 16S221**

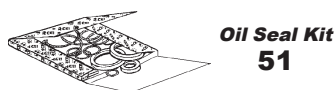
**Planet Carrier (GP)**



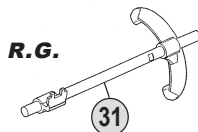
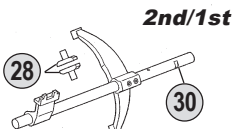
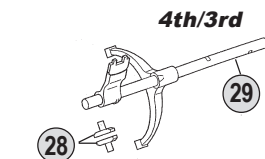
**Springs & Slides Kits**

|               |               |               |
|---------------|---------------|---------------|
| x 3           | x 6           | x 9           |
| x 3           | x 6           | x 9           |
| x 3           | x 6           | x 9           |
| <b>Kit 48</b> | <b>Kit 49</b> | <b>Kit 50</b> |

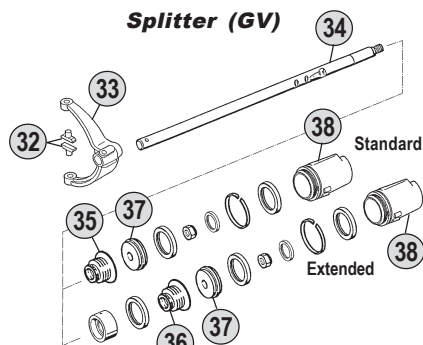
**Kits**



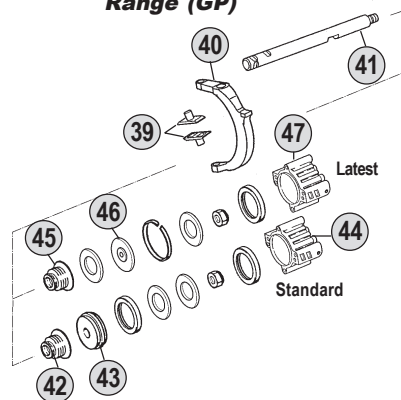
**Shifting Forks**



**Splitter (GV)**



**Range (GP)**



**Ratios**

|               |               |                 |                 |                 |               |
|---------------|---------------|-----------------|-----------------|-----------------|---------------|
| <b>16S151</b> | A: 13,80-0,84 | B: 13,85 - 0,84 | C: 13,86 - 0,84 | D: 16,47 - 1,00 | E: 16,53-1,00 |
| <b>16S221</b> | A: 13,80-0,84 | B: --           | C: 13,86 - 0,84 | D: 16,47 - 1,00 | E: -          |



All original equipment manufacturers' numbers, symbols, pictures, models and description used in this catalogue are for reference only, and it is not implied that any part listed is the product of these manufactures. Tutti i nostri particolari non sono originali ma con essi intercambiabili. I riferimenti originali, le figure, i modelli sono esposti a semplice titolo indicativo. La nostra produzione riporta il nostro marchio.

| Fig. | O.E.M. Reference |              | Description | Q.ty                    | Note | Ratio     |           |               |               |  |  |
|------|------------------|--------------|-------------|-------------------------|------|-----------|-----------|---------------|---------------|--|--|
|      | CEI no.          | ZF no.       |             |                         |      |           | IVECO no. | 16S151 (1315) | 16S221 (1316) |  |  |
| 27   |                  | 1297 333 110 | 93156114    | Output Flange           | 1    | D.180-4H. | ●         |               |               |  |  |
| 27   |                  | 1316 338 002 | 93194088    | Output Flange           | 1    | D.180-4H. | ●         |               |               |  |  |
| 27   |                  | 1312 333 018 |             | Output Flange           | 1    | D.200-4H. | ●         |               |               |  |  |
| 27   |                  | 1316 338 003 |             | Output Flange           | 1    | D.200-4H. | ●         |               |               |  |  |
| 28   | 141.163          | 1297 306 120 | 8198817     | Slide                   | 2    | Old Type  | ●         | ●             |               |  |  |
| 28   | 141.168          | 1316 306 015 | 42537353    | Slide                   | 2    | New Type  | ●         | ●             |               |  |  |
| 29   |                  | 1315 206 013 | 93190522    | Fork                    | 1    | Old Type  | ●         |               |               |  |  |
| 29   |                  | 1315 206 055 | 42537658    | Fork                    | 1    | New Type  | ●         |               |               |  |  |
| 29   |                  | 1315 206 024 | 93192530    | Fork                    | 1    | Old Type  | ●         |               |               |  |  |
| 29   |                  | 1315 206 056 |             | Fork                    | 1    | New Type  | ●         |               |               |  |  |
| 29   |                  | 1316 206 018 | 93191202    | Fork                    | 1    | Old Type  |           | ●             |               |  |  |
| 29   |                  | 1316 206 037 | 42537352    | Fork                    | 1    | New Type  |           | ●             |               |  |  |
| 29   |                  | 1316 206 017 |             | Fork                    | 1    | Old Type  |           | ●             |               |  |  |
| 29   |                  | 1316 206 038 |             | Fork                    | 1    | New Type  |           | ●             |               |  |  |
| 30   |                  | 1315 206 046 | 42532016    | Fork                    | 1    | Old Type  | ●         |               |               |  |  |
| 30   |                  | 1315 206 052 | 42537660    | Fork                    | 1    | New Type  | ●         |               |               |  |  |
| 30   |                  | 1315 206 047 | 42532067    | Fork                    | 1    | Old Type  | ●         |               |               |  |  |
| 30   |                  | 1315 206 053 |             | Fork                    | 1    | New Type  | ●         |               |               |  |  |
| 30   |                  | 1316 206 025 | 42531414    | Fork                    | 1    | Old Type  |           | ●             |               |  |  |
| 30   |                  | 1316 206 033 | 42537351    | Fork                    | 1    | New Type  |           | ●             |               |  |  |
| 30   |                  | 1316 206 026 |             | Fork                    | 1    | Old Type  |           | ●             |               |  |  |
| 30   |                  | 1316 206 034 |             | Fork                    | 1    | New Type  |           | ●             |               |  |  |
| 30   |                  | 1316 206 027 |             | Fork                    | 1    | Old Type  |           | ●             |               |  |  |
| 30   |                  | 1316 206 035 |             | Fork                    | 1    | New Type  |           | ●             |               |  |  |
| 31   |                  | 1315 206 003 | 93192531    | Fork                    | 1    |           | ●         |               |               |  |  |
| 31   |                  | 1315 206 023 | 93190523    | Fork                    | 1    |           | ●         |               |               |  |  |
| 31   |                  | 1316 206 013 | 93191203    | Fork                    | 1    |           |           | ●             |               |  |  |
| 31   |                  | 1316 206 014 |             | Fork                    | 1    |           |           | ●             |               |  |  |
| 32   | 141.163          | 1297 306 120 | 8198817     | Slide                   | 2    | Old Type  | ●         | ●             |               |  |  |
| 32   | 141.168          | 1316 306 015 | 42537353    | Slide                   | 2    | New Type  | ●         | ●             |               |  |  |
| 33   |                  | 1315 312 017 | 93190546    | Fork                    | 1    | Old Type  | ●         | ●             |               |  |  |
| 33   |                  | 1315 312 074 |             | Fork                    | 1    | New Type  | ●         | ●             |               |  |  |
| 34   |                  | 1315 312 049 | 42532017    | Rod                     | 1    | Standard  | ●         |               |               |  |  |
| 34   |                  | 1315 312 022 | 93190545    | Rod                     | 1    | Extended  | ●         |               |               |  |  |
| 34   |                  | 1316 312 016 | 42534711    | Rod                     | 1    | Standard  |           | ●             |               |  |  |
| 34   |                  | 1316 312 008 | 93191206    | Rod                     | 1    | Extended  |           | ●             |               |  |  |
| 35   |                  | 0750 112 131 | 93191207    | Cap Collar D.25x40x15   | 1    | Standard  | ●         | ●             |               |  |  |
| 36   | 139.331          | 0750 112 034 | 8190753     | Cap Collar D.25x38x14,2 | 1    | Extended  | ●         | ●             |               |  |  |
| 37   |                  | 1315 312 020 | 93193406    | Piston                  | 1    |           | ●         | ●             |               |  |  |
| 38   |                  | 1315 312 048 | 42532018    | Cylinder                | 1    |           | ●         |               |               |  |  |
| 38   |                  | 1316 312 015 | 42531413    | Cylinder                | 1    |           |           | ●             |               |  |  |
| 39   | 141.085          | 1296 334 004 | 7982228     | Bronze Slide            | 2    |           | ●         | ●             |               |  |  |
| 40   |                  | 1315 334 039 | 42531416    | Fork                    | 1    |           | ●         | ●             |               |  |  |
| 41   |                  | 1315 334 058 | 42536235    | Rod                     | 1    |           | ●         |               |               |  |  |
| 41   |                  | 1316 334 010 | 42535861    | Rod                     | 1    |           | ●         |               |               |  |  |

Notes

Date

03 / 2006

Table

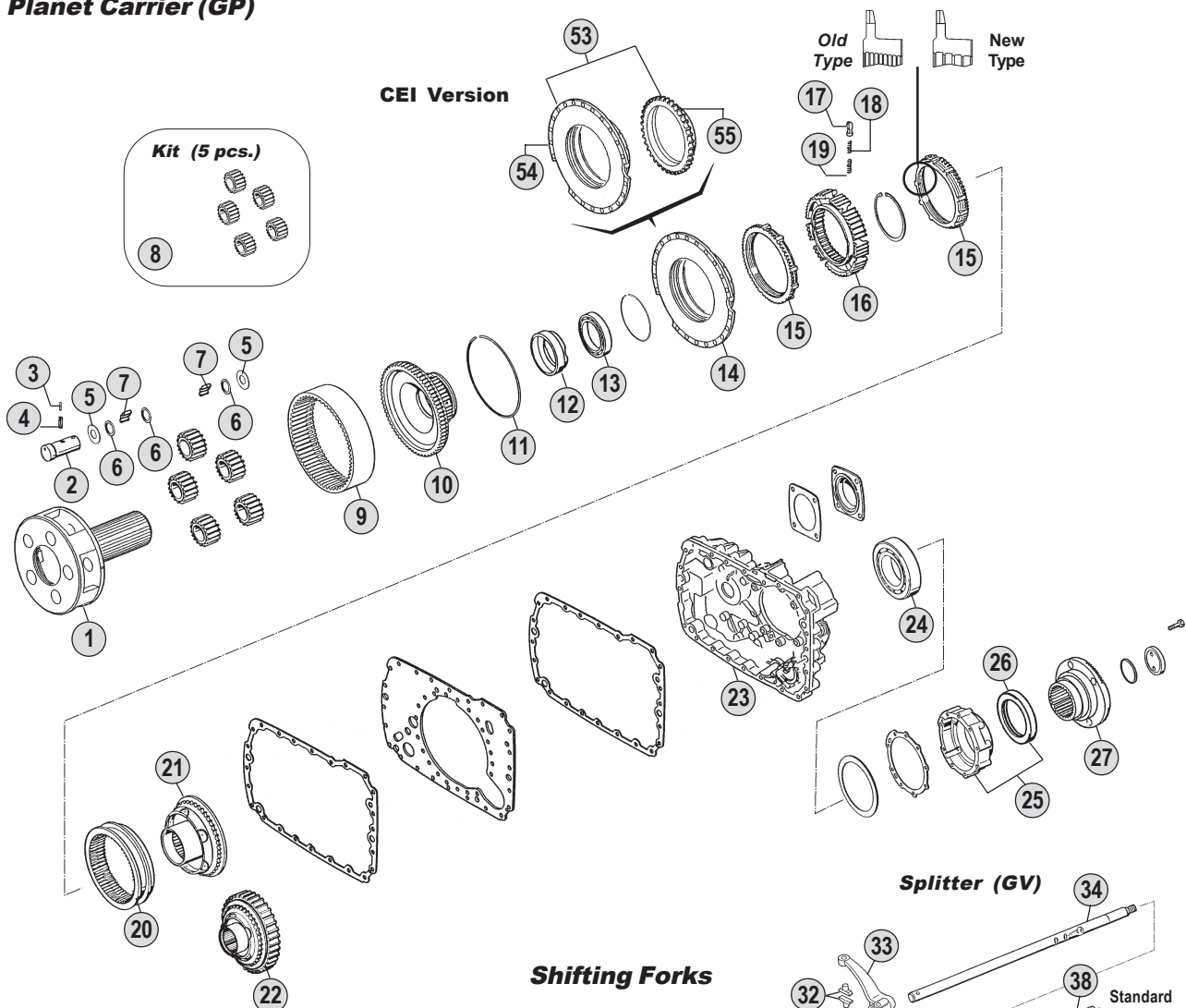
012 / B

All original equipment manufacturers numbers, symbols, pictures, models and description used in this catalogue are for reference only, and it is not implied that any part listed is the product of these manufactures.  
Tutti i nostri particolari non sono originali ma con essi intercambiabili. I riferimenti originali, le figure, i modelli sono esposti a semplice titolo indicativo. La nostra produzione riporta il nostro marchio.

Suitable To : **ZF**

**16S151 - 16S221**

**Planet Carrier (GP)**



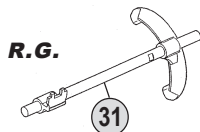
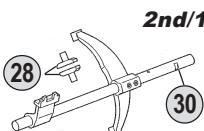
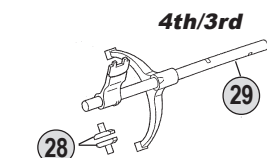
**Springs & Slides Kits**

|               |               |               |
|---------------|---------------|---------------|
| x 3           | x 6           | x 9           |
| x 3           | x 6           | x 9           |
| x 3           | x 6           | x 9           |
| <b>Kit 48</b> | <b>Kit 49</b> | <b>Kit 50</b> |

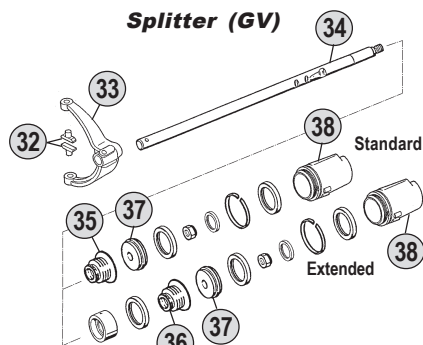
**Kits**



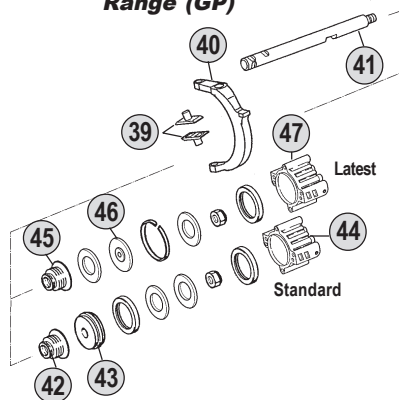
**Shifting Forks**



**Splitter (GV)**



**Range (GP)**



**Ratios**

|               |               |                 |                 |                 |               |
|---------------|---------------|-----------------|-----------------|-----------------|---------------|
| <b>16S151</b> | A: 13,80-0,84 | B: 13,85 - 0,84 | C: 13,86 - 0,84 | D: 16,47 - 1,00 | E: 16,53-1,00 |
| <b>16S221</b> | A: 13,80-0,84 | B: --           | C: 13,86 - 0,84 | D: 16,47 - 1,00 | E: -          |



All original equipment manufacturers' numbers, symbols, pictures, models and description used in this catalogue are for reference only, and it is not implied that any part listed is the product of these manufactures. Tutti i nostri particolari non sono originali ma con essi intercambiabili. I riferimenti originali, le figure, i modelli sono esposti a semplice titolo indicativo. La nostra produzione riporta il nostro marchio.







suitable to :

**Z.F.****EcoSplit III****From 16S151 to 16S251****Planetary Gear with HELICAL TEETH****Application**

|                 | <b>16S151</b> | <b>16S181</b> | <b>16S221</b> | <b>16S251</b> |
|-----------------|---------------|---------------|---------------|---------------|
|                 | (1315)        | (1316)        | (1316)        | (1316)        |
| <b>MERCEDES</b> |               |               |               |               |
| <b>MAN</b>      |               |               |               |               |
| <b>IVECO</b>    |               |               |               |               |
| <b>RVI</b>      |               |               |               |               |
| <b>DAF</b>      |               |               |               |               |
| <b>VOLVO</b>    |               |               |               |               |

**ECO III**  
From 16S151  
To 16S221

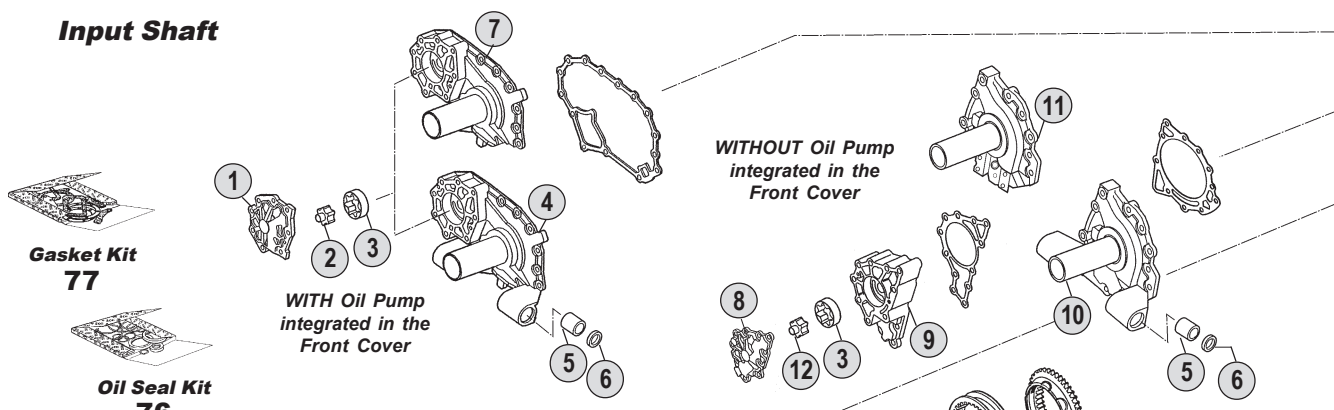
**Ratios**

|               | <b>R.13,74-0,84</b> | <b>R.13,80-0,84</b> | <b>R.16,41-1,00</b> |  |  |
|---------------|---------------------|---------------------|---------------------|--|--|
|               | <b>A</b>            | <b>B</b>            | <b>C</b>            |  |  |
| <b>16S151</b> |                     |                     |                     |  |  |
| <b>16S181</b> |                     |                     |                     |  |  |
| <b>16S221</b> |                     |                     |                     |  |  |
| <b>16S251</b> |                     |                     |                     |  |  |

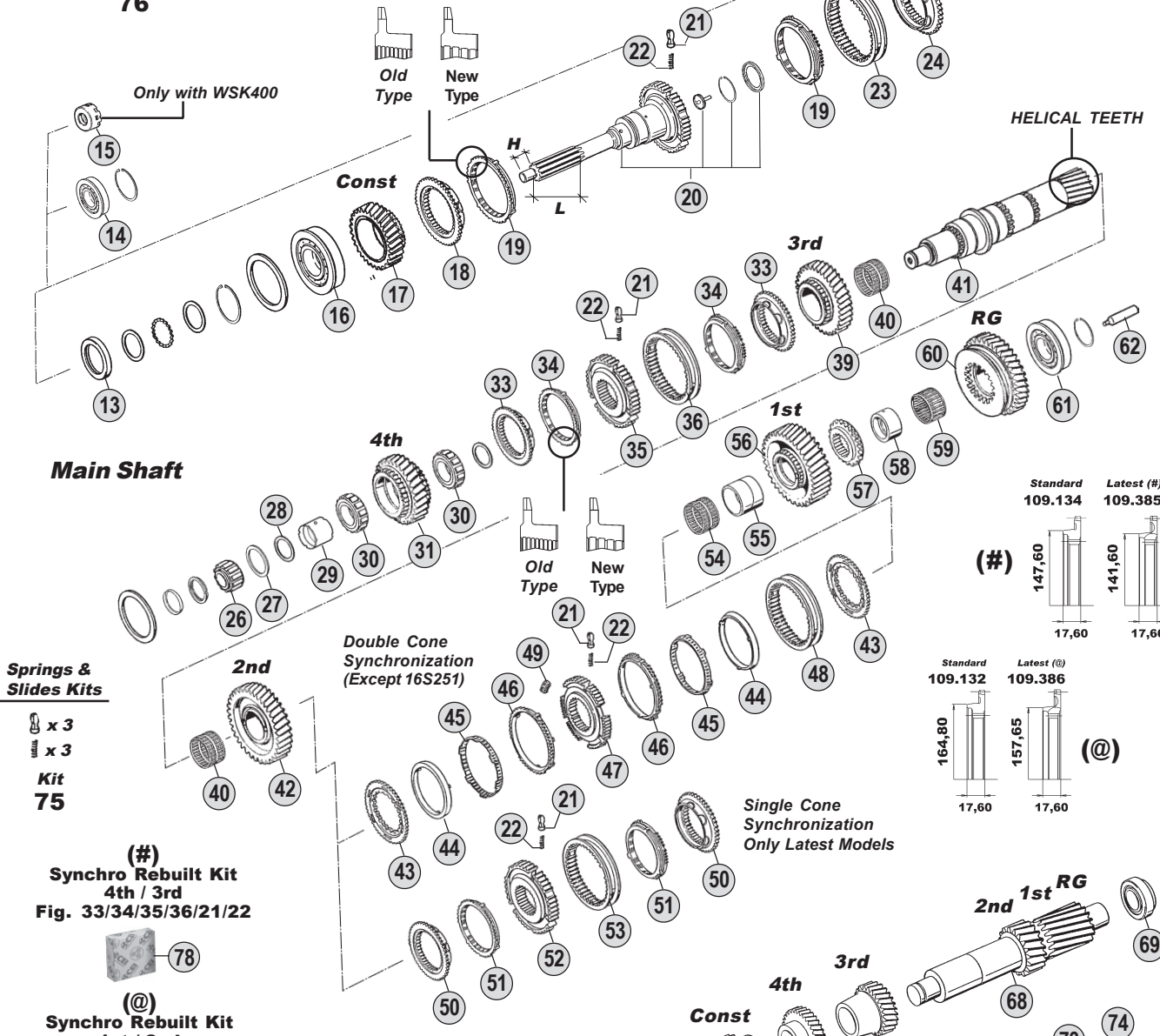
Suitable To : **ZF**

**16S151 - 16S181 - 16S221**

**Input Shaft**



**Main Shaft**



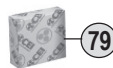
**Springs & Slides Kits**

x 3  
x 3  
**Kit 75**

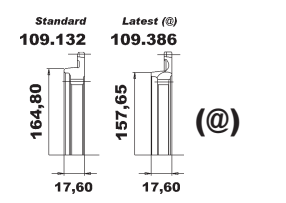
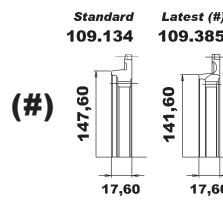
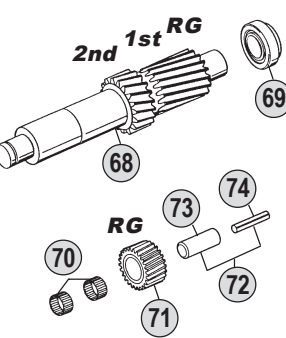
(#)  
**Synchro Rebuilt Kit 4th / 3rd**  
Fig. 33/34/35/36/21/22



(@)  
**Synchro Rebuilt Kit 1st / 2nd**  
Fig. 50/51/52/53/21/22



**Countershaft & Reverse Shaft**



**Ratios**

|        |               |                 |                 |       |       |
|--------|---------------|-----------------|-----------------|-------|-------|
| 16S151 | A: 13,74-0,84 | B: 13,80 - 0,84 | C: 16,41 - 1,00 | D: -- | E: -- |
| 16S181 | A: --         | B: 13,80 - 0,84 | C: 16,41 - 1,00 | D: -- | E: -- |
| 16S221 | A: 13,74-0,84 | B: 13,80 - 0,84 | C: 16,41 - 1,00 | D: -- | E: -- |



All original equipment manufacturers' numbers, symbols, pictures, models and description used in this catalogue are for reference only, and it is not implied that any part listed is the product of these manufactures. Tutti i nostri particolari non sono originali ma con essi intercambiabili. I riferimenti originali, le figure, i modelli sono esposti a semplice titolo indicativo. La nostra produzione riporta il nostro marchio.

| Fig. | CEI no. | O.E.M. Reference |           | Description            | Q.ty | Note                | Ratio |   |   |   |  |  |
|------|---------|------------------|-----------|------------------------|------|---------------------|-------|---|---|---|--|--|
|      |         | ZF no.           | IVECO no. |                        |      |                     |       |   |   |   |  |  |
| 1    |         | 1315 302 013     | 93190510  | Cover                  | 1    |                     |       | ● | ● |   |  |  |
| 2    |         | 1315 202 014     | 93191178  | Rotor                  | 1    |                     |       | ● | ● |   |  |  |
| 3    |         | 1315 303 027     | 93191179  | Oil Pump Housing       | 1    |                     |       | ● | ● | ● |  |  |
| 4    |         | 1315 302 057     | 93192194  | Front Cover            | 1    |                     |       | ● | ● |   |  |  |
| 5    |         | 0730 260 398     | 93190506  | Bush                   | 4    |                     |       | ● | ● | ● |  |  |
| 6    |         | 0501 312 738     | 93190507  | Oil Seal 30x37x4       | 4    |                     |       | ● | ● | ● |  |  |
| 7    |         | 1315 302 045     |           | Front Cover            | 1    |                     |       | ● | ● |   |  |  |
| 7    |         | 1315 302 047     |           | Front Cover            | 1    |                     |       | ● | ● |   |  |  |
| 8    |         | 1315 302 120     | 42530599  | Cover                  | 1    |                     |       | ● | ● | ● |  |  |
| 9    |         | 1315 302 121     | 42531750  | Housing                | 1    |                     |       | ● | ● | ● |  |  |
| 10   |         | 1315 202 055     | 42536234  | Front Cover            | 1    |                     |       | ● | ● | ● |  |  |
| 10   |         | 1315 202 058     |           | Front Cover            | 1    |                     |       | ● | ● |   |  |  |
| 10   |         | 1315 202 061     |           | Front Cover            | 1    |                     |       | ● | ● |   |  |  |
| 10   |         | 1315 202 065     |           | Front Cover            | 1    |                     |       | ● | ● |   |  |  |
| 10   |         | 1315 202 060     | 42536388  | Front Cover            | 1    |                     |       | ● | ● | ● |  |  |
| 11   |         | 1315 302 075     |           | Front Cover            | 1    |                     |       | ● | ● | ● |  |  |
| 11   |         | 1315 302 136     |           | Front Cover            | 1    |                     |       | ● | ● | ● |  |  |
| 12   |         | 1314 202 039     | 42531421  | Rotor                  | 1    |                     |       | ● | ● | ● |  |  |
| 13   | 139.754 | 0734 310 386     | 42533218  | Oil Seal 55x75x8       | 1    |                     |       | ● | ● | ● |  |  |
| 13   |         | 0734 310 104     | 42484086  | Oil Seal 52x68x8       | 13   | (1)                 |       | ● | ● | ● |  |  |
| 13   |         | 0734 319 514     |           | Oil Seal 52x72x8       | 1    | (2)                 |       | ● | ● | ● |  |  |
| 14   |         | 0635 450 098     | 1905359   | Bearing 52x90x33       | 1    | (2)                 |       | ● | ● | ● |  |  |
| 15   |         | 4130 309 063     | 42484059  | Disk                   | 1    | (1)                 |       | ● | ● | ● |  |  |
| 16   | 130.518 | 0750 117 732     | 2991733   | Bearing D.85x150x30,50 | 1    |                     |       | ● | ● | ● |  |  |
| 17   | 145.513 | 1315 302 173     |           | Constant Gear 34 T     | 1    |                     | A     | ● |   |   |  |  |
| 17   | 145.556 | 1315 302 158     | 42534905  | Constant Gear 35 T     | 1    |                     | B     | ● |   |   |  |  |
| 17   | 145.553 | 1315 302 157     | 42534629  | Constant Gear 30 T     | 1    |                     | C     | ● |   |   |  |  |
| 17   | 145.561 | 1316 302 057     | 42535852  | Constant gear 35 T     | 1    |                     | B     |   | ● |   |  |  |
| 17   | 145.483 | 1316 302 066     | 42534644  | Constant Gear 30 T     | 1    |                     | C     |   | ● |   |  |  |
| 17   | 145.487 | 1316 302 065     | 42535690  | Constant Gear 34 T     | 1    |                     | A     |   |   | ● |  |  |
| 17   | 145.554 | 1316 302 067     | 42534756  | Constant Gear 35 T     | 1    |                     | B     |   |   | ● |  |  |
| 17   | 145.483 | 1316 302 066     | 42534644  | Constant Gear 30 T     | 1    |                     | C     |   |   | ● |  |  |
| 18   | 109.134 | 1312 304 027     | 93156419  | Synchronizer Cone      | 1    |                     |       | ● | ● | ● |  |  |
| 19   | 119.119 | 1297 304 402     | 93159684  | Synchronizer Ring      | 2    | Old Type            |       | ● | ● | ● |  |  |
| 19   | 119.167 | 1297 304 484     | 42532487  | Synchronizer Ring      | 2    | New Type            |       | ● | ● | ● |  |  |
| 20   | 190.304 | 1315 202 037     |           | Input Shaft            | 1    | L=125 H=31,5        |       | ● |   |   |  |  |
| 20   | 190.315 | 1315 202 040     | 42534440  | Input Shaft            | 1    | L=102 H=32          |       | ● |   |   |  |  |
| 20   |         | 1315 202 048     |           | Input Shaft            | 1    | WSK400              |       | ● |   |   |  |  |
| 20   | 190.317 | 1315 221 002     |           | Input Shaft            | 1    | NMV221 (clutch pto) |       | ● |   |   |  |  |
| 20   | 190.303 | 1316 202 025     |           | Input Shaft            | 1    | L=134 H=32          |       |   | ● | ● |  |  |
| 20   | 190.300 | 1316 202 026     | 42534643  | Input Shaft            | 1    |                     |       |   | ● | ● |  |  |
| 20   | 190.310 | 1316 202 033     | 42536387  | Input Shaft            | 1    | L=63 H=46,5 WSK400  |       |   |   | ● |  |  |
| 20   |         | 1316 202 038     |           | Input Shaft            | 1    |                     |       |   | ● | ● |  |  |
| 20   |         | 1316 221 017     |           | Input Shaft            | 1    | NMV221 (clutch pto) |       |   | ● | ● |  |  |
| 21   | 160.189 | 1297 304 436     | 93156036  | Pressure Piece         | 3    |                     |       | ● | ● | ● |  |  |

## Notes

- (1) Only for Input S. 1315 202 048-1316 202 033 (2) Only for Input S. 1315 221 002-1316 221 017  
 (3) Old Type. Replaced by 1 pc. fig. 73 + 1 pc. fig. 74  
 (\*) New Models only. **DO NO MIX** Single Cone Synchro. with Double Cone Synchro.  
 (#) Latest Synchro gen. **DO NO MIX** the two different version. To update the previous one use the **synchro rebuilt kit fig. 79**  
 (@) Latest Synchro gen. **DO NO MIX** the two different version. To update the previous one use the **synchro rebuilt kit fig. 80**

## Date

03 / 2006

## Table

013 / A

All original equipment manufacturers' numbers, symbols, pictures, models and description used in this catalogue are for reference only, and it is not implied that any part listed is the product of these manufactures.  
 Tutti i nostri particolari non sono originali ma con essi intercambiabili. I riferimenti originali, le figure, i modelli sono esposti a semplice titolo indicativo. La nostra produzione riporta il nostro marchio.



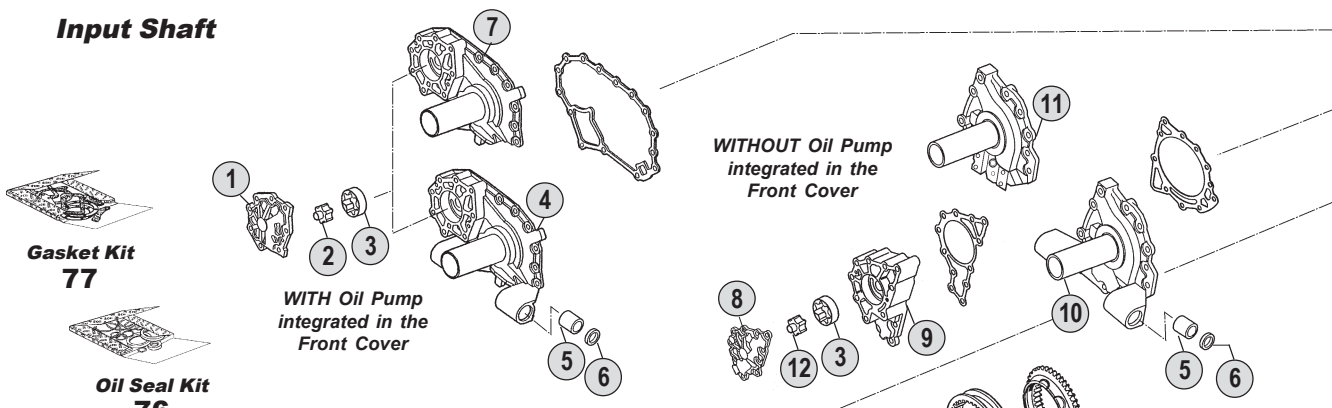
ECO III

From 16S151  
To 16S221

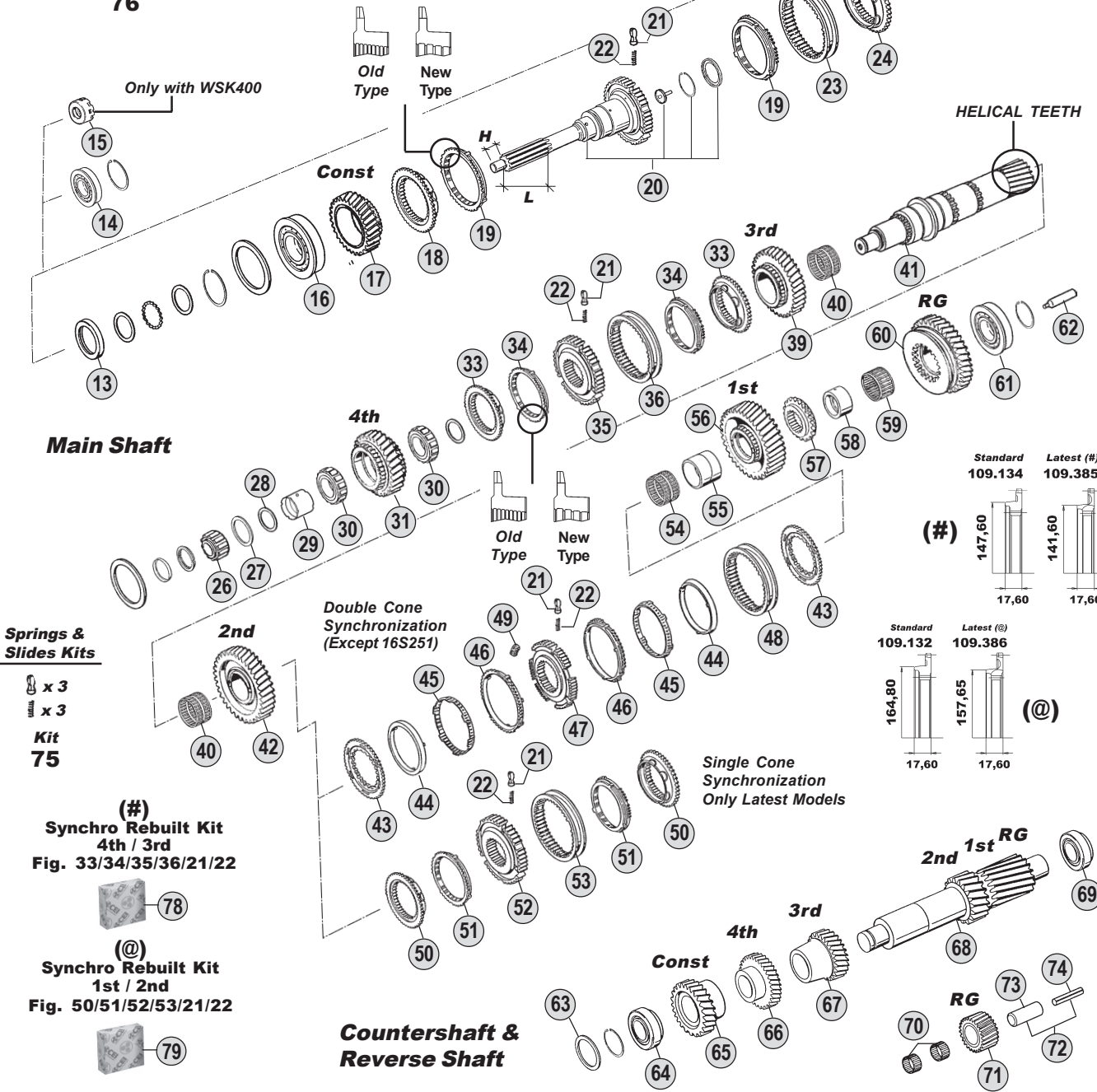
Suitable To : **ZF**

**16S151 - 16S181 - 16S221**

**Input Shaft**



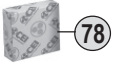
**Main Shaft**



**Springs & Slides Kits**

x 3  
x 3  
**Kit 75**

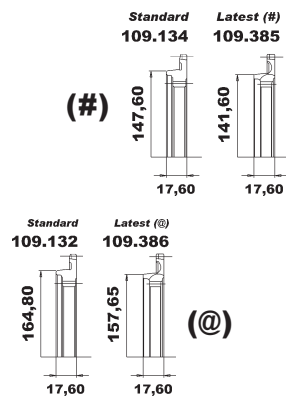
(#)  
**Synchro Rebuilt Kit 4th / 3rd**  
Fig. 33/34/35/36/21/22



(@)  
**Synchro Rebuilt Kit 1st / 2nd**  
Fig. 50/51/52/53/21/22



**Countershaft & Reverse Shaft**



| Ratios |               |                 |                 |       |       |
|--------|---------------|-----------------|-----------------|-------|-------|
| 16S151 | A: 13,74-0,84 | B: 13,80 - 0,84 | C: 16,41 - 1,00 | D: -- | E: -- |
| 16S181 | A: --         | B: 13,80 - 0,84 | C: 16,41 - 1,00 | D: -- | E: -- |
| 16S221 | A: 13,74-0,84 | B: 13,80 - 0,84 | C: 16,41 - 1,00 | D: -- | E: -- |



All original equipment manufacturers' numbers, symbols, pictures, models and description used in this catalogue are for reference only, and it is not implied that any part listed is the product of these manufactures. Tutti i nostri particolari non sono originali ma con essi intercambiabili. I riferimenti originali, le figure, i modelli sono esposti a semplice titolo indicativo. La nostra produzione riporta il nostro marchio.

| Fig. | CEI no. | O.E.M. Reference |           | Description             | Q.ty | Note      | Ratio |               |               |               |  |  |  |
|------|---------|------------------|-----------|-------------------------|------|-----------|-------|---------------|---------------|---------------|--|--|--|
|      |         | ZF no.           | IVECO no. |                         |      |           |       | 16S151 (1315) | 16S181 (1316) | 16S221 (1316) |  |  |  |
| 22   | 156.140 | 0732 040 409     | 2967403   | Spring D.6,50x23,50     | 3    |           |       | ●             | ●             | ●             |  |  |  |
| 23   | 154.135 | 1310 304 202     | 42534465  | Sliding Sleeve          | 1    |           |       | ●             | ●             | ●             |  |  |  |
| 24   | 109.133 | 1312 304 056     | 93156418  | Synchronizer Cone       | 1    |           |       | ●             | ●             | ●             |  |  |  |
| 26   | 137.150 | 0750 117 232     | 93156500  | Roller Cage D.42x40,30  | 1    |           |       | ●             | ●             | ●             |  |  |  |
| 27   |         | 1315 304 048     |           | Ring                    | 1    | S.8,00 mm |       | ●             | ●             | ●             |  |  |  |
| 27   |         | 1315 304 043     | 93191196  | Ring                    | 27   | S.7,50 mm |       | ●             | ●             | ●             |  |  |  |
| 28   | 169.776 | 0750 101 158     | 42535316  | Thrust Washer 81,5x5    | 1    |           |       | ●             | ●             | ●             |  |  |  |
| 29   | 117.321 | 0750 119 125     | 42536245  | Bush D.67x77x54,1       | 1    |           |       | ●             |               |               |  |  |  |
| 29   | 117.320 | 0750 119 124     | 42535317  | Bush D.67x77x66,10      | 1    |           |       |               | ●             | ●             |  |  |  |
| 30   | 137.164 | 0750 115 534     | 2992189   | Roller Cage D.77x101x29 | 2    |           |       | ●             |               |               |  |  |  |
| 30   | 137.136 | 0750 115 531     | 2991925   | Roller Cage D.77x101x29 | 2    |           |       |               | ●             | ●             |  |  |  |
| 31   | 146.431 | 1315 304 017     |           | Gear 4th Speed 30 T     | 1    |           | A     | ●             |               |               |  |  |  |
| 31   | 146.320 | 1315 304 089     | 42532887  | Gear 4th Speed 32 T     | 1    |           | BC    | ●             |               |               |  |  |  |
| 31   | 146.410 | 1316 304 007     | 93192501  | Gear 4th Speed 30 T     | 1    |           | A     |               |               | ●             |  |  |  |
| 31   | 146.401 | 1316 304 103     | 42532747  | Gear 4th Speed 32 T     | 1    |           | BC    |               | ●             | ●             |  |  |  |
| 33   | 109.134 | 1312 304 027     | 93156419  | Synchronizer Cone       | 2    |           |       | ●             | ●             | ●             |  |  |  |
| 33   | 109.385 | 1316 304 159     |           | Synchronizer Cone       | 2    |           | (#)   | ●             | ●             | ●             |  |  |  |
| 34   | 119.119 | 1297 304 402     | 93159684  | Synchronizer Ring       | 2    | Old Type  |       | ●             | ●             | ●             |  |  |  |
| 34   | 119.167 | 1297 304 484     | 42532487  | Synchronizer Ring       | 2    | New Type  |       | ●             | ●             | ●             |  |  |  |
| 34   | 119.217 | 1316 304 149     |           | Synchronizer Ring       | 2    |           | (#)   | ●             | ●             | ●             |  |  |  |
| 35   | 157.180 | 1312 304 052     | 93156491  | Synchronizer Hub        | 1    |           |       | ●             | ●             | ●             |  |  |  |
| 35   | 157.227 | 1316 304 162     |           | Synchronizer Hub        | 1    |           | (#)   | ●             | ●             | ●             |  |  |  |
| 36   | 154.135 | 1310 304 202     | 42534465  | Sliding Sleeve          | 1    |           |       | ●             | ●             | ●             |  |  |  |
| 36   | 154.357 | 1315 304 135     |           | Sliding Sleeve          | 1    |           | (#)   | ●             | ●             | ●             |  |  |  |
| 39   | 145.514 | 1315 304 028     |           | Gear 3rd Speed 32 T     | 1    |           | A     | ●             |               |               |  |  |  |
| 39   | 145.456 | 1315 304 027     | 93190519  | Gear 3rd Speed 34 T     | 1    |           | BC    | ●             |               |               |  |  |  |
| 39   | 145.484 | 1316 304 094     | 42535313  | Gear 3rd Speed 34 T     | 1    |           | BC    |               | ●             |               |  |  |  |
| 39   | 145.488 | 1316 304 009     | 93192500  | Gear 3rd Speed 32 T     | 1    |           | A     |               |               | ●             |  |  |  |
| 39   | 145.473 | 1316 304 008     | 93191188  | Gear 3rd Speed 34 T     | 1    |           | BC    |               |               | ●             |  |  |  |
| 40   | 137.137 | 0735 321 087     | 1905329   | Needle Cage D.92x100x53 | 2    |           |       | ●             |               |               |  |  |  |
| 40   | 137.138 | 0750 115 303     | 93156451  | Needle Cage D.92x100x63 | 2    |           |       |               | ●             | ●             |  |  |  |
| 41   | 103.138 | 1315 304 131     | 42534775  | Main Shaft              | 1    |           |       | ●             |               |               |  |  |  |
| 41   | 103.130 | 1316 304 132     | 42535311  | Main Shaft              | 1    |           |       |               | ●             | ●             |  |  |  |
| 42   | 145.455 | 1315 304 026     |           | Gear 2nd Speed 37 T     | 1    |           | A     | ●             |               |               |  |  |  |
| 42   | 145.454 | 1315 304 025     | 93190515  | Gear 2nd Speed 38 T     | 1    |           | BC    | ●             |               |               |  |  |  |
| 42   | 145.515 | 1316 304 003     | 93192497  | Gear 2nd Speed 37 T     | 1    |           | A     |               |               | ●             |  |  |  |
| 42   | 145.474 | 1316 304 002     | 93191184  | Gear 2nd Speed 38 T     | 1    |           | BC    |               | ●             | ●             |  |  |  |
| 43   | 109.176 | 1312 304 106     | 93156573  | Synchronizer Cone       | 2    |           |       | ●             | ●             | ●             |  |  |  |
| 44   | 119.152 | 1268 304 424     | 93156454  | Intermediate Ring       | 2    |           |       | ●             | ●             | ●             |  |  |  |
| 45   | 119.153 | 1268 304 494     | 42534458  | Intermediate Cone       | 2    |           |       | ●             | ●             | ●             |  |  |  |
| 46   | 119.144 | 1268 304 525     | 93156456  | Synchronizer Ring       | 2    |           |       | ●             | ●             | ●             |  |  |  |
| 47   | 157.181 | 1312 304 158     | 93163871  | Synchronizer Hub        | 1    |           |       | ●             | ●             | ●             |  |  |  |
| 48   | 154.190 | 1310 304 175     | 42532878  | Sliding Sleeve          | 1    |           |       | ●             | ●             | ●             |  |  |  |
| 49   | 156.176 | 1312 304 159     | 42531384  | Pad                     | 3    |           |       | ●             | ●             | ●             |  |  |  |
| 50   | 109.132 | 1313 304 009     | 93163896  | Synchronizer Cone       | 2    | (*)       |       | ●             | ●             | ●             |  |  |  |

## Notes

- (1) Only for Input S. 1315 202 048-1316 202 033 (2) Only for Input S. 1315 221 002-1316 221 017  
 (3) Old Type. Replaced by 1 pc. fig. 73 + 1 pc. fig. 74  
 (\*) New Models only. **DO NO MIX** Single Cone Synchro. with Double Cone Synchro.  
 (#) Latest Synchro gen. **DO NO MIX** the two different version. To update the previous one use the **synchro rebuilt kit fig. 79**  
 (Ⓜ) Latest Synchro gen. **DO NO MIX** the two different version. To update the previous one use the **synchro rebuilt kit fig. 80**

## Date

03 / 2006

## Table

013 / A

All original equipment manufacturers' numbers, symbols, pictures, models and description used in this catalogue are for reference only, and it is not implied that any part listed is the product of these manufactures.  
 Tutti i nostri particolari non sono originali ma con essi intercambiabili. I riferimenti originali, le figure, i modelli sono esposti a semplice titolo indicativo. La nostra produzione riporta il nostro marchio.



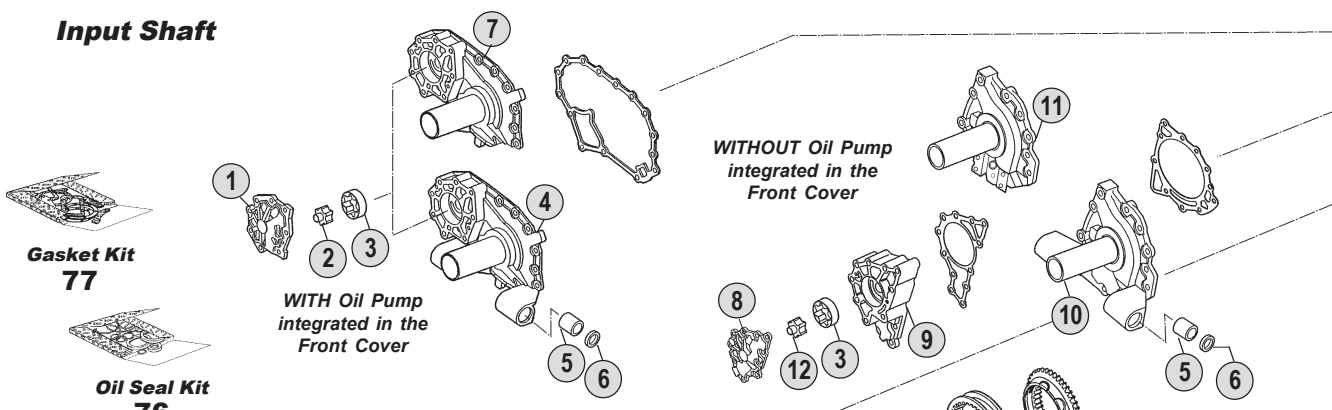
ECO III

From 16S151  
To 16S221

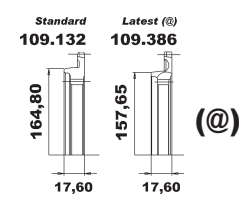
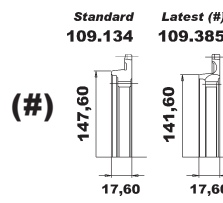
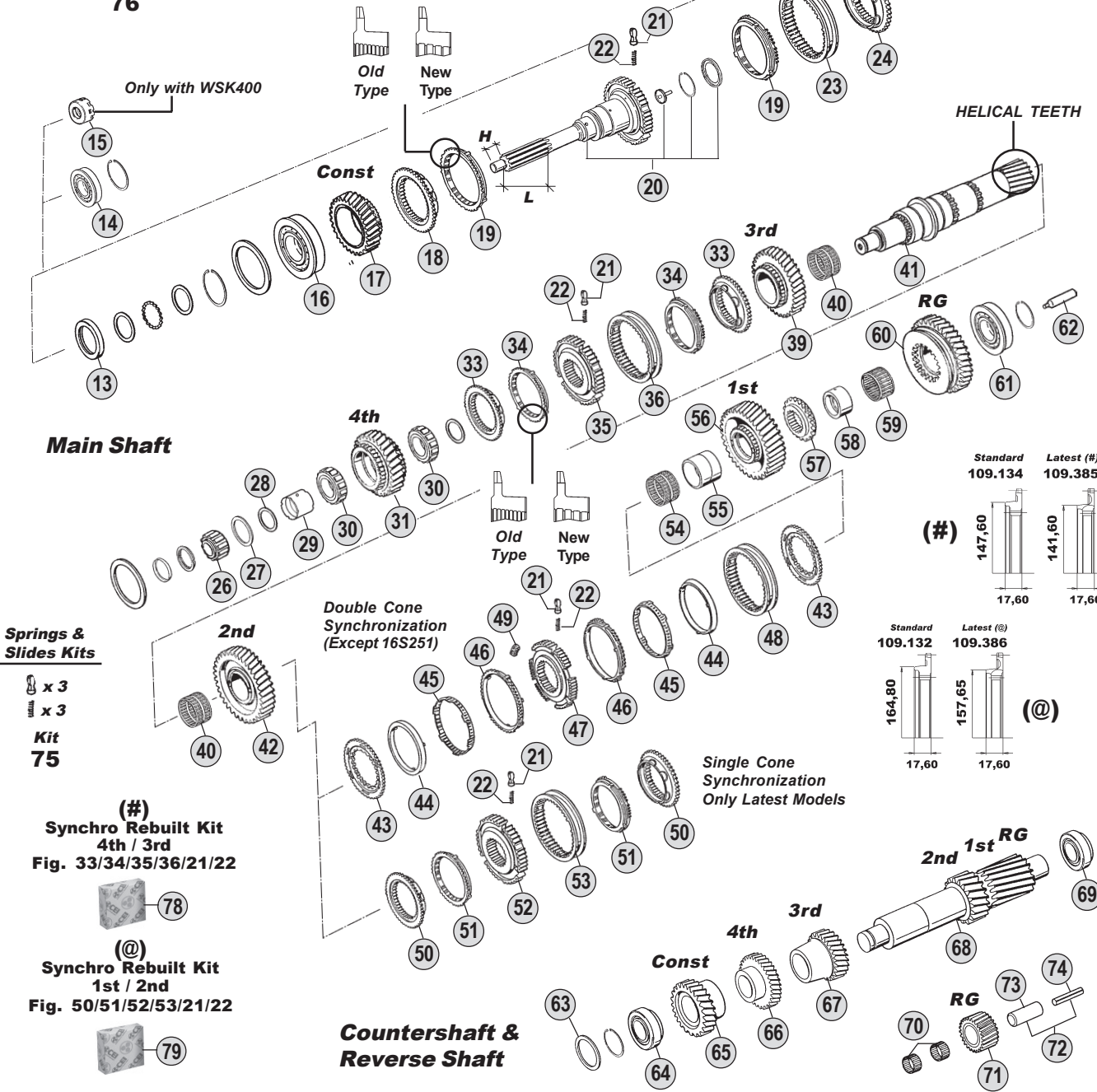
Suitable To : **ZF**

**16S151 - 16S181 - 16S221**

**Input Shaft**



**Main Shaft**



**Springs & Slides Kits**

x 3  
x 3  
**Kit 75**

(#)  
**Synchro Rebuilt Kit 4th / 3rd**  
Fig. 33/34/35/36/21/22



(@)  
**Synchro Rebuilt Kit 1st / 2nd**  
Fig. 50/51/52/53/21/22



**Countershaft & Reverse Shaft**

**Ratios**

|               |               |                 |                 |       |       |
|---------------|---------------|-----------------|-----------------|-------|-------|
| <b>16S151</b> | A: 13,74-0,84 | B: 13,80 - 0,84 | C: 16,41 - 1,00 | D: -- | E: -- |
| <b>16S181</b> | A: --         | B: 13,80 - 0,84 | C: 16,41 - 1,00 | D: -- | E: -- |
| <b>16S221</b> | A: 13,74-0,84 | B: 13,80 - 0,84 | C: 16,41 - 1,00 | D: -- | E: -- |



All original equipment manufacturers' numbers, symbols, pictures, models and description used in this catalogue are for reference only, and it is not implied that any part listed is the product of these manufactures. Tutti i nostri particolari non sono originali ma con essi intercambiabili. I riferimenti originali, le figure, i modelli sono esposti a semplice titolo indicativo. La nostra produzione riporta il nostro marchio.

| Fig. | O.E.M. Reference |              | Description | Q.ty                      | Note | Ratio        |           |               |               |               |  |  |  |
|------|------------------|--------------|-------------|---------------------------|------|--------------|-----------|---------------|---------------|---------------|--|--|--|
|      | CEI no.          | ZF no.       |             |                           |      |              | IVECO no. | 16S151 (1315) | 16S181 (1316) | 16S221 (1316) |  |  |  |
| 50   | 109.386          | 1316 304 156 |             | Synchronizer Cone         | 2    |              | (@)       | ●             | ●             | ●             |  |  |  |
| 51   | 119.122          | 1297 304 401 | 93160314    | Synchronizer Ring         | 2    | (*) Old Type |           | ●             | ●             | ●             |  |  |  |
| 51   | 119.166          | 1297 304 485 | 42534634    | Synchronizer Ring         | 2    | (*) New Type |           | ●             | ●             | ●             |  |  |  |
| 51   | 119.218          | 1316 304 150 |             | Synchronizer Ring         | 2    |              | (@)       | ●             | ●             | ●             |  |  |  |
| 52   | 157.189          | 1313 304 008 | 93160380    | Synchronizer Hub          | 1    | (*)          |           | ●             | ●             | ●             |  |  |  |
| 52   | 157.228          | 1316 304 163 |             | Synchronizer Hub          | 1    |              | (@)       | ●             | ●             | ●             |  |  |  |
| 53   | 154.202          | 1316 304 078 | 42534633    | Sliding Sleeve            | 1    | (*)          |           | ●             | ●             | ●             |  |  |  |
| 53   | 154.358          | 1315 304 136 |             | Sliding Sleeve            | 1    |              | (@)       | ●             | ●             | ●             |  |  |  |
| 54   | 137.160          | 0750 115 325 | 1905330     | Needle Cage D.96x104x55   | 1    |              |           | ●             |               |               |  |  |  |
| 54   | 137.151          | 0750 115 327 | 93156462    | Needle Cage D.96x104x72   | 1    |              |           |               | ●             | ●             |  |  |  |
| 55   | 117.294          | 1313 304 038 | 93163897    | Bush                      | 1    |              |           | ●             |               |               |  |  |  |
| 55   | 117.310          | 1312 304 084 | 93156461    | Bush D.85x96x72           | 1    |              |           |               | ●             | ●             |  |  |  |
| 56   | 145.453          | 1315 304 014 |             | Gear 1st Speed 44 T       | 1    |              | A         | ●             |               |               |  |  |  |
| 56   | 145.452          | 1315 304 004 | 93190516    | Gear 1st Speed 47 T       | 1    |              | BC        | ●             |               |               |  |  |  |
| 56   | 145.522          | 1316 304 013 | 93192498    | Gear 1st Speed 44 T       | 1    |              | A         |               |               | ●             |  |  |  |
| 56   | 145.475          | 1316 304 010 | 93191185    | Gear 1st Speed 47 T       | 1    |              | BC        |               | ●             | ●             |  |  |  |
| 57   | 109.144          | 1315 304 018 | 93190517    | Engaging Ring             | 1    |              |           | ●             |               |               |  |  |  |
| 57   | 109.163          | 1312 304 124 | 93191186    | Engaging Ring             | 57   |              |           |               | ●             | ●             |  |  |  |
| 58   | 117.293          | 1315 304 132 | 42534635    | Bush                      | 1    |              |           | ●             |               |               |  |  |  |
| 58   | 117.311          | 1316 304 133 | 42534705    | Bush D.80x90x50           | 1    |              |           |               | ●             | ●             |  |  |  |
| 59   | 137.162          | 0750 115 324 | 1905331     | Roller Cage D.90x98x41    | 1    |              |           | ●             |               |               |  |  |  |
| 59   | 137.140          | 0750 115 326 | 93156466    | Roller Cage D.90x98x50    | 1    |              |           |               | ●             | ●             |  |  |  |
| 60   | 147.124          | 1315 304 013 |             | Reverse Gear 42 T         | 1    |              | A         | ●             |               |               |  |  |  |
| 60   | 147.123          | 1315 304 006 | 93190518    | Reverse Gear 44 T         | 1    |              | BC        | ●             |               |               |  |  |  |
| 60   | 147.144          | 1316 304 015 | 93192499    | Reverse Gear 42 T         | 1    |              | A         |               |               | ●             |  |  |  |
| 60   | 147.128          | 1316 304 012 | 93191187    | Reverse Gear 44 T         | 1    |              | BC        |               | ●             | ●             |  |  |  |
| 61   | 130.309          | 0750 117 677 | 1905486     | Bearing D.80x130x36       | 1    |              |           | ●             |               |               |  |  |  |
| 61   | 130.304          | 0750 117 678 | 1905102     | Bearing D.80x140x36,50    | 1    |              |           |               | ●             | ●             |  |  |  |
| 62   | 188.209          | 1312 304 150 | 93193506    | Oil Tube                  | 1    |              |           | ●             | ●             | ●             |  |  |  |
| 63   |                  | 0730 106 917 | 93156423    | Washer                    | 1    | S.3,00 mm    |           | ●             | ●             | ●             |  |  |  |
| 63   |                  | 0730 101 471 | 93156443    | Washer                    | 1    | S.2,00 mm    |           | ●             | ●             | ●             |  |  |  |
| 64   | 130.308          | 0750 117 009 | 7982090     | Bearing D.49,2x103,1x43,6 | 1    |              |           | ●             | ●             | ●             |  |  |  |
| 65   | 146.427          | 1315 303 052 |             | Constant Gear 37 T        | 1    |              | A         | ●             |               |               |  |  |  |
| 65   | 146.473          | 1315 303 051 | 42534908    | Constant Gear 32 T        | 1    |              | B         | ●             |               |               |  |  |  |
| 65   | 146.367          | 1315 303 008 | 93190513    | Constant Gear 39 T        | 1    |              | C         | ●             |               |               |  |  |  |
| 65   | 146.485          | 1316 303 056 | 42535853    | Constant Gear 32 T        | 1    |              | B         |               | ●             |               |  |  |  |
| 65   | 146.398          | 1316 303 055 | 42535328    | Constant Gear 39 T        | 1    |              | C         |               | ●             |               |  |  |  |
| 65   | 146.407          | 1316 303 031 | 93194242    | Constant Gear 37 T        | 1    |              | A         |               |               | ●             |  |  |  |
| 65   | 146.469          | 1316 303 064 | 42534749    | Constant Gear 32 T        | 1    |              | B         |               |               | ●             |  |  |  |
| 65   | 146.486          | 1316 303 030 | 93194080    | Constant Gear 39 T        | 1    |              | C         |               |               | ●             |  |  |  |
| 66   | 146.429          | 1315 303 046 |             | Gear 4th Speed 39 T       | 1    |              | A         | ●             |               |               |  |  |  |
| 66   | 146.474          | 1315 303 050 | 42532886    | Gear 4th Speed 35 T       | 1    |              | BC        | ●             |               |               |  |  |  |
| 66   | 146.399          | 1316 303 063 | 42535329    | Gear 4th Speed 35 T       | 1    |              | BC        |               | ●             |               |  |  |  |
| 66   | 146.408          | 1316 303 004 | 93192496    | Gear 4th Speed 39 T       | 1    |              | A         |               |               | ●             |  |  |  |
| 66   | 146.426          | 1316 303 065 | 42532748    | Gear 4th Speed 35 T       | 1    |              | BC        |               |               | ●             |  |  |  |

## Notes

- (1) Only for Input S. 1315 202 048-1316 202 033 (2) Only for Input S. 1315 221 002-1316 221 017  
 (3) Old Type. Replaced by 1 pc. fig. 73 + 1 pc. fig. 74  
 (\*) New Models only. **DO NO MIX** Single Cone Synchro. with Double Cone Synchro.  
 (#) Latest Synchro gen. **DO NO MIX** the two different version. To update the previous one use the **synchro rebuilt kit fig. 79**  
 (@) Latest Synchro gen. **DO NO MIX** the two different version. To update the previous one use the **synchro rebuilt kit fig. 80**

## Date

03 / 2006

## Table

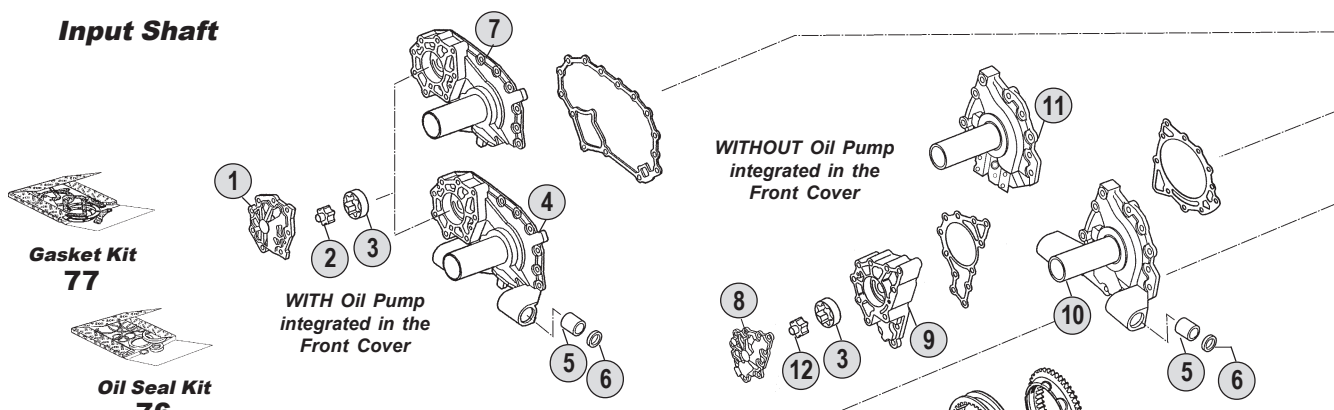
013 / A



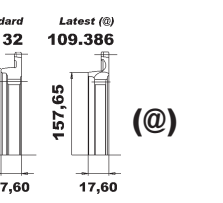
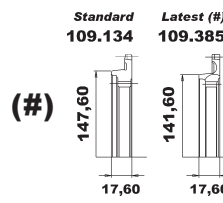
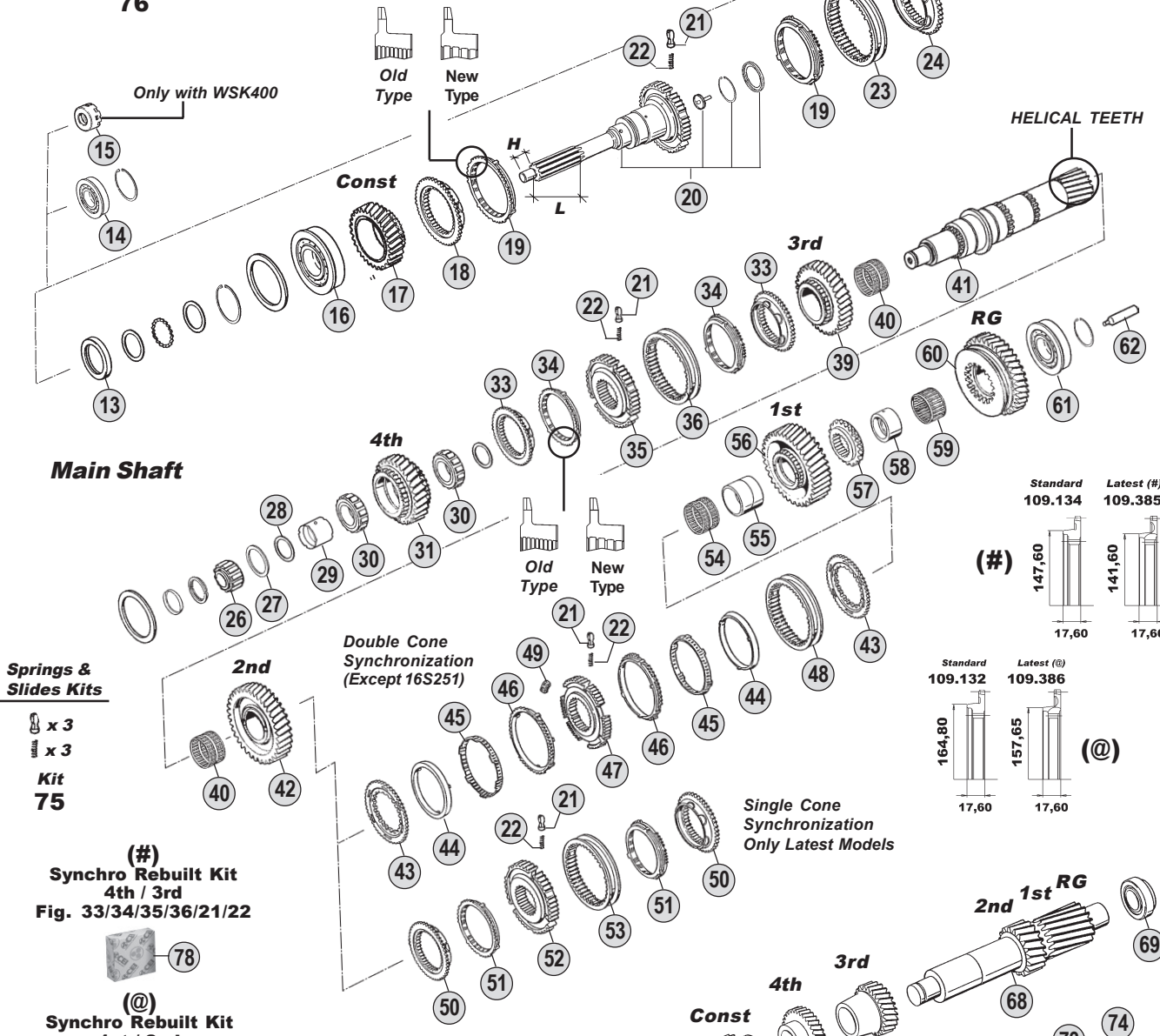
Suitable To : **ZF**

**16S151 - 16S181 - 16S221**

**Input Shaft**



**Main Shaft**



**Countershaft & Reverse Shaft**



**Ratios**

|        |               |                 |                 |       |       |
|--------|---------------|-----------------|-----------------|-------|-------|
| 16S151 | A: 13,74-0,84 | B: 13,80 - 0,84 | C: 16,41 - 1,00 | D: -- | E: -- |
| 16S181 | A: --         | B: 13,80 - 0,84 | C: 16,41 - 1,00 | D: -- | E: -- |
| 16S221 | A: 13,74-0,84 | B: 13,80 - 0,84 | C: 16,41 - 1,00 | D: -- | E: -- |



All original equipment manufacturers' numbers, symbols, pictures, models and description used in this catalogue are for reference only, and it is not implied that any part listed is the product of these manufactures. Tutti i nostri particolari non sono originali ma con essi intercambiabili. I riferimenti originali, le figure, i modelli sono esposti a semplice titolo indicativo. La nostra produzione riporta il nostro marchio.

| Fig. | CEI no. | O.E.M. Reference |           | Description               | Q.ty | Note    | Ratio |               |               |               |  |  |
|------|---------|------------------|-----------|---------------------------|------|---------|-------|---------------|---------------|---------------|--|--|
|      |         | ZF no.           | IVECO no. |                           |      |         |       | 16S151 (1315) | 16S181 (1316) | 16S221 (1316) |  |  |
| 67   | 146.368 | 1315 303 010     |           | Gear 3rd Speed 28 T       | 1    |         | A     | ●             |               |               |  |  |
| 67   | 146.365 | 1315 303 004     | 93190512  | Gear 3rd Speed 26 T       | 1    |         | BC    | ●             |               |               |  |  |
| 67   | 146.400 | 1316 303 058     | 42535327  | Gear 3rd Speed 26 T       | 1    |         | BC    | ●             |               |               |  |  |
| 67   | 146.409 | 1316 303 006     | 93192494  | Gear 3rd Speed 28 T       | 1    |         | A     |               | ●             |               |  |  |
| 67   | 146.391 | 1316 303 005     | 93191181  | Gear 3rd Speed 26 T       | 1    |         | BC    |               | ●             |               |  |  |
| 68   | 105.109 | 1315 303 041     |           | Countershaft 19-23 T      | 1    |         | A     | ●             |               |               |  |  |
| 68   | 105.124 | 1315 303 042     | 93193579  | Countershaft 17-20 T      | 1    |         | BC    | ●             |               |               |  |  |
| 68   | 105.103 | 1316 303 034     | 93194241  | Countershaft 19-23 T      | 1    |         | A     |               | ●             |               |  |  |
| 68   | 105.100 | 1316 303 033     | 93194079  | Countershaft 17-20 T      | 1    |         | BC    | ●             | ●             |               |  |  |
| 69   | 130.307 | 0750 117 011     | 1905328   | Bearing D.50,8x104,7x39,6 | 1    |         |       | ●             |               |               |  |  |
| 69   | 130.308 | 0750 117 009     | 7982090   | Bearing D.49,2x103,1x43,6 | 1    |         |       | ●             | ●             |               |  |  |
| 70   | 137.135 | 0750 115 366     | 1905342   | Needle Cage D.45x57x21    | 2    |         |       | ●             |               |               |  |  |
| 70   | 137.149 | 0750 115 369     | 1905368   | Needle Cage D.45x57x25    | 2    |         |       | ●             | ●             |               |  |  |
| 71   | 147.142 | 1315 305 005     |           | Reverse Gear 20 T         | 1    |         | A     | ●             |               |               |  |  |
| 71   | 147.126 | 1315 305 002     | 93190486  | Reverse Gear 22 T         | 1    |         | BC    | ●             |               |               |  |  |
| 71   | 147.143 | 1316 305 002     | 93192488  | Reverse Gear 20 T         | 1    |         | A     |               | ●             |               |  |  |
| 71   | 147.127 | 1316 305 001     | 93191173  | Reverse Gear 22 T         | 1    |         | BC    | ●             | ●             |               |  |  |
| 72   |         | 1315 201 054     |           | Reverse Shaft             | 1    | Old (3) | A     | ●             |               |               |  |  |
| 72   |         | 1315 201 053     |           | Reverse Shaft             | 1    | Old (3) | BC    | ●             |               |               |  |  |
| 72   |         | 1316 201 030     |           | Reverse Shaft             | 1    | Old (3) | A     |               | ●             |               |  |  |
| 72   | 190.301 | 1316 201 029     | 93191174  | Reverse Shaft             | 1    | Old (3) | BC    |               | ●             | ●             |  |  |
| 73   | 190.302 | 1315 305 009     | 93191222  | Reverse Shaft             | 1    | New     |       | ●             | ●             | ●             |  |  |
| 74   |         | 0631 329 293     |           | Pin                       | 1    | New     | A     | ●             |               |               |  |  |
| 74   |         | 0631 329 294     | 93191223  | Pin                       | 1    | New     | BC    | ●             |               |               |  |  |
| 74   |         | 0631 329 295     | 93192490  | Pin                       | 1    | New     | A     |               | ●             |               |  |  |
| 74   |         | 0631 329 296     | 93191391  | Pin                       | 1    | New     | BC    |               | ●             | ●             |  |  |
| 75   | 198.843 | CEI 198843       |           | Spring Slide Set          | 0    |         |       | ●             | ●             | ●             |  |  |
| 76   | 198.838 | 1315 298 002     | 93161692  | Oil Seal Kit              | 1    |         |       | ●             | ●             | ●             |  |  |
| 77   | 198.797 | 1315 298 001     | 93161691  | Gasket Kit                | 1    |         |       | ●             | ●             | ●             |  |  |
| 78   | 298.021 | 1315 298 061     |           | Synchro kit 4th/3rd Speed | 1    |         | (#)   | ●             | ●             | ●             |  |  |
| 79   | 298.020 | 1315 298 060     |           | Synchro kit 1st/2nd Speed | 1    |         | (@)   | ●             | ●             | ●             |  |  |

ECO III

From 16S151  
To 16S221

## Notes

- (1) Only for Input S. 1315 202 048-1316 202 033 (2) Only for Input S. 1315 221 002-1316 221 017  
 (3) Old Type. Replaced by 1 pc. fig. 73 + 1 pc. fig. 74  
 (\*) New Models only. **DO NO MIX** Single Cone Synchro. with Double Cone Synchro.  
 (#) Latest Synchro gen. **DO NO MIX** the two different version. To update the previous one use the **synchro rebuilt kit fig. 79**  
 (@) Latest Synchro gen. **DO NO MIX** the two different version. To update the previous one use the **synchro rebuilt kit fig. 80**

## Date

03 / 2006

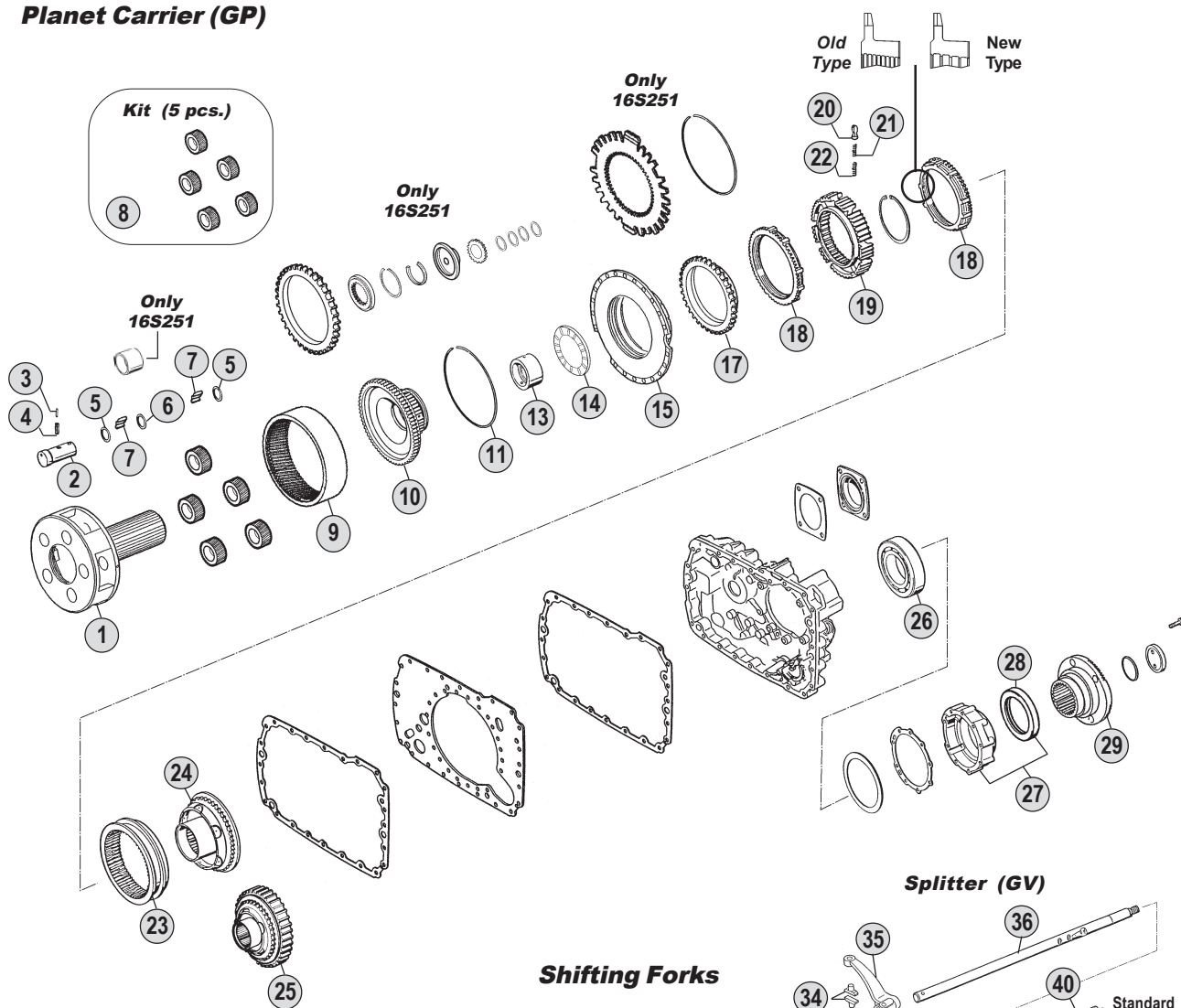
## Table

013 / A

Suitable To : **ZF**

**16S151 - 16S181 - 16S221**

**Planet Carrier (GP)**

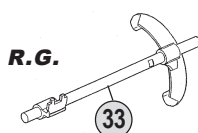
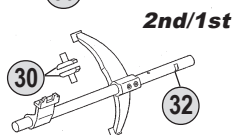
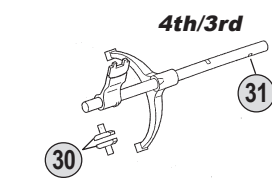


**Shifting Forks**

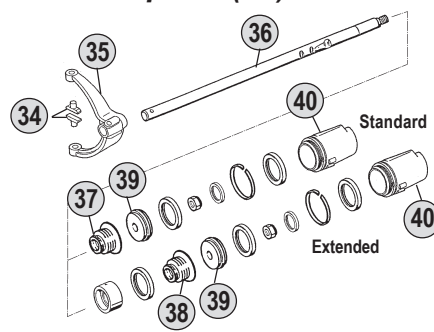
**Springs & Slides Kits**

|               |               |               |
|---------------|---------------|---------------|
| x 3           | x 6           | x 9           |
| x 3           | x 6           | x 9           |
| x 3           | x 6           | x 9           |
| <b>Kit 50</b> | <b>Kit 51</b> | <b>Kit 52</b> |

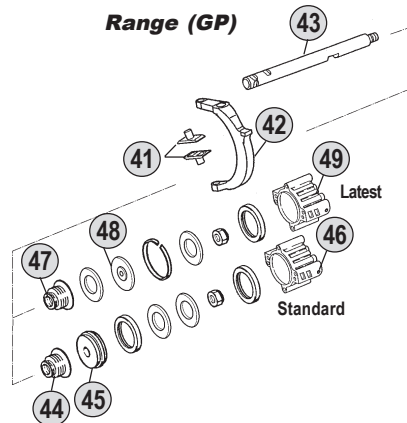
**Kits**



**Splitter (GV)**



**Range (GP)**



**Ratios**

|               |               |                 |                 |       |       |
|---------------|---------------|-----------------|-----------------|-------|-------|
| <b>16S151</b> | A: 13,74-0,84 | B: 13,80 - 0,84 | C: 16,41 - 1,00 | D: -- | E: -- |
| <b>16S181</b> | A: -          | B: 13,80 - 0,84 | C: 16,41 - 1,00 | D: -- | E: -- |
| <b>16S221</b> | A: 13,74-0,84 | B: 13,80 - 0,84 | C: 16,41 - 1,00 | D: -- | E: -- |

| Fig. | O.E.M. Reference |              | Description | Q.ty                            | Note | Ratio         |           |               |               |               |  |  |  |
|------|------------------|--------------|-------------|---------------------------------|------|---------------|-----------|---------------|---------------|---------------|--|--|--|
|      | CEI no.          | ZF no.       |             |                                 |      |               | IVECO no. | 16S151 (1315) | 16S181 (1316) | 16S221 (1316) |  |  |  |
| 1    | 190.394          | 1315 232 016 | 42535031    | Planetary Carrier               | 1    |               | ●         |               |               |               |  |  |  |
| 1    | 190.325          | 1316 232 019 |             | Planetary Carrier               | 1    |               |           | ●             |               |               |  |  |  |
| 1    | 190.394          | 1315 232 016 | 42535031    | Planetary Carrier               | 1    | (4)           |           | ●             |               |               |  |  |  |
| 1    | 190.325          | 1316 232 019 |             | Planetary Carrier               | 1    |               |           |               | ●             |               |  |  |  |
| 2    | 107.159          | 1315 332 053 | 42535032    | Planet Shaft                    | 1    |               | ●         |               |               |               |  |  |  |
| 2    | 107.204          | 1316 332 096 |             | Planet Shaft                    | 5    |               |           |               | ●             |               |  |  |  |
| 2    | 107.159          | 1315 332 053 | 42535032    | Planet Shaft                    | 5    | (4)           |           | ●             |               |               |  |  |  |
| 2    | 107.204          | 1316 332 096 |             | Planet Shaft                    | 5    |               |           |               |               | ●             |  |  |  |
| 3    | 160.195          | 0631 329 167 | 93191213    | Lock Pin D.3x26                 | 5    |               | ●         | ●             | ●             |               |  |  |  |
| 4    | 160.194          | 0631 329 051 | 93191212    | Lock Pin D.5x26                 | 5    |               | ●         | ●             | ●             |               |  |  |  |
| 5    | 169.744          | 0730 107 168 | 8198826     | Spacer Ring                     | 10   |               | ●         |               |               |               |  |  |  |
| 5    | 269.009          | 0730 109 323 | 42471323    | Spacer Ring                     | 10   |               |           |               | ●             |               |  |  |  |
| 5    | 169.744          | 0730 107 168 | 8198826     | Spacer Ring                     | 10   | (4)           |           | ●             |               |               |  |  |  |
| 5    | 269.009          | 0730 109 323 | 42471323    | Spacer Ring                     | 10   |               |           |               |               | ●             |  |  |  |
| 6    | 169.744          | 0730 107 168 | 8198826     | Spacer Ring                     | 5    |               | ●         |               |               |               |  |  |  |
| 6    | 269.010          | 0730 109 309 |             | Spacer Ring                     | 5    |               |           |               | ●             |               |  |  |  |
| 6    | 169.744          | 0730 107 168 | 8198826     | Spacer Ring                     | 5    | (4)           |           | ●             |               |               |  |  |  |
| 6    | 269.010          | 0730 109 309 |             | Spacer Ring                     | 5    |               |           |               |               | ●             |  |  |  |
| 7    | 171.062          | 0750 119 116 | 93191132    | Roller D.10x16,8                | 140  |               | ●         | ●             | ●             |               |  |  |  |
| 8    | 198.798          | 1315 232 010 | 42534776    | Planetary Gear Set (5 pcs)      | 1    |               | ●         |               |               |               |  |  |  |
| 8    | 298.024          | 1316 232 011 |             | Planetary Gear Set (5 pcs)      | 1    |               |           |               | ●             |               |  |  |  |
| 8    | 198.798          | 1315 232 010 | 42534776    | Planetary Gear Set (5 pcs)      | 1    | (4)           |           | ●             |               |               |  |  |  |
| 8    | 298.024          | 1316 232 011 |             | Planetary Gear Set (5 pcs)      | 1    |               |           |               |               | ●             |  |  |  |
| 9    | 123.211          | 1315 332 041 | 42535034    | Crown Gear                      | 1    |               | ●         | ●             | ●             |               |  |  |  |
| 10   | 150.136          | 1316 332 103 | 42535330    | Carrier Hub                     | 1    |               | ●         | ●             | ●             |               |  |  |  |
| 11   |                  | 0730 513 583 | 42535035    | Locking Wire                    | 1    |               | ●         | ●             | ●             |               |  |  |  |
| 13   |                  | 1316 333 014 | 42535036    | Bush                            | 1    |               | ●         | ●             | ●             |               |  |  |  |
| 14   | 130.312          | 0735 298 169 | 2991822     | Bearing D.104,50x128,40x10      | 1    |               | ●         | ●             | ●             |               |  |  |  |
| 15   | 135.122          | 1296 333 046 | 42535040    | Saddle Plate                    | 1    |               | ●         | ●             | ●             |               |  |  |  |
| 17   | 109.174          | 1296 333 050 | 42535041    | Synchronizer Cone               | 1    |               | ●         | ●             | ●             |               |  |  |  |
| 18   | 119.085          | 1296 333 022 | 7982226     | Synchronizer Ring               | 2    | Old Type      | ●         | ●             | ●             |               |  |  |  |
| 18   | 119.172          | 1296 333 045 | 42532826    | Synchronizer Ring               | 2    | New Type      | ●         | ●             | ●             |               |  |  |  |
| 19   | 157.182          | 1313 333 001 | 93163920    | Synchronizer Hub                | 1    |               | ●         | ●             | ●             |               |  |  |  |
| 20   | 160.116          | 1240 304 278 | 2960200     | Pressure Piece                  | 9    |               | ●         | ●             | ●             |               |  |  |  |
| 21   | 156.036          | 0732 040 386 | 9931785     | Inner Spring De.3x34            | 9    |               | ●         | ●             | ●             |               |  |  |  |
| 22   | 156.037          | 0732 040 385 | 8832940     | Outer Spring De.6x34            | 9    |               | ●         | ●             | ●             |               |  |  |  |
| 23   | 154.098          | 1296 333 023 | 7982227     | Sliding Sleeve                  | 1    |               | ●         | ●             | ●             |               |  |  |  |
| 24   | 109.175          | 1316 233 015 | 42535042    | Synchronizer Cone (44 Spl.)     | 1    |               | ●         | ●             | ●             |               |  |  |  |
| 25   | 196.270          | 1316 233 014 | 42535346    | Synchronizer Cone 59 T (44 Spl) | 1    | With Retarder | ●         | ●             | ●             |               |  |  |  |
| 26   | 130.245          | 0750 116 002 | 7982088     | Bearing D.90x160x30             | 1    |               | ●         | ●             | ●             |               |  |  |  |
| 27   |                  | 1315 231 004 |             | Cover                           | 1    |               | ●         | ●             | ●             |               |  |  |  |
| 28   |                  | 0750 111 341 | 93194330    | Oil Seal 105x130x12             | 1    |               | ●         | ●             | ●             |               |  |  |  |
| 29   |                  | 1297 333 110 | 93156114    | Output Flange                   | 1    | D.180-4 H.    | ●         | ●             | ●             |               |  |  |  |
| 29   |                  | 1316 232 028 |             | Output Flange                   | 1    | D.222-4 H.    | ●         |               |               |               |  |  |  |
| 29   |                  | 1316 338 002 | 93194088    | Output Flange                   | 1    | D.180-4 H.    |           |               |               | ●             |  |  |  |

## Notes

(4) 16S181 Special GP Version. This version use 16S151 GP items.  
For this version use items marked (4) together.

## Date

03 / 2006

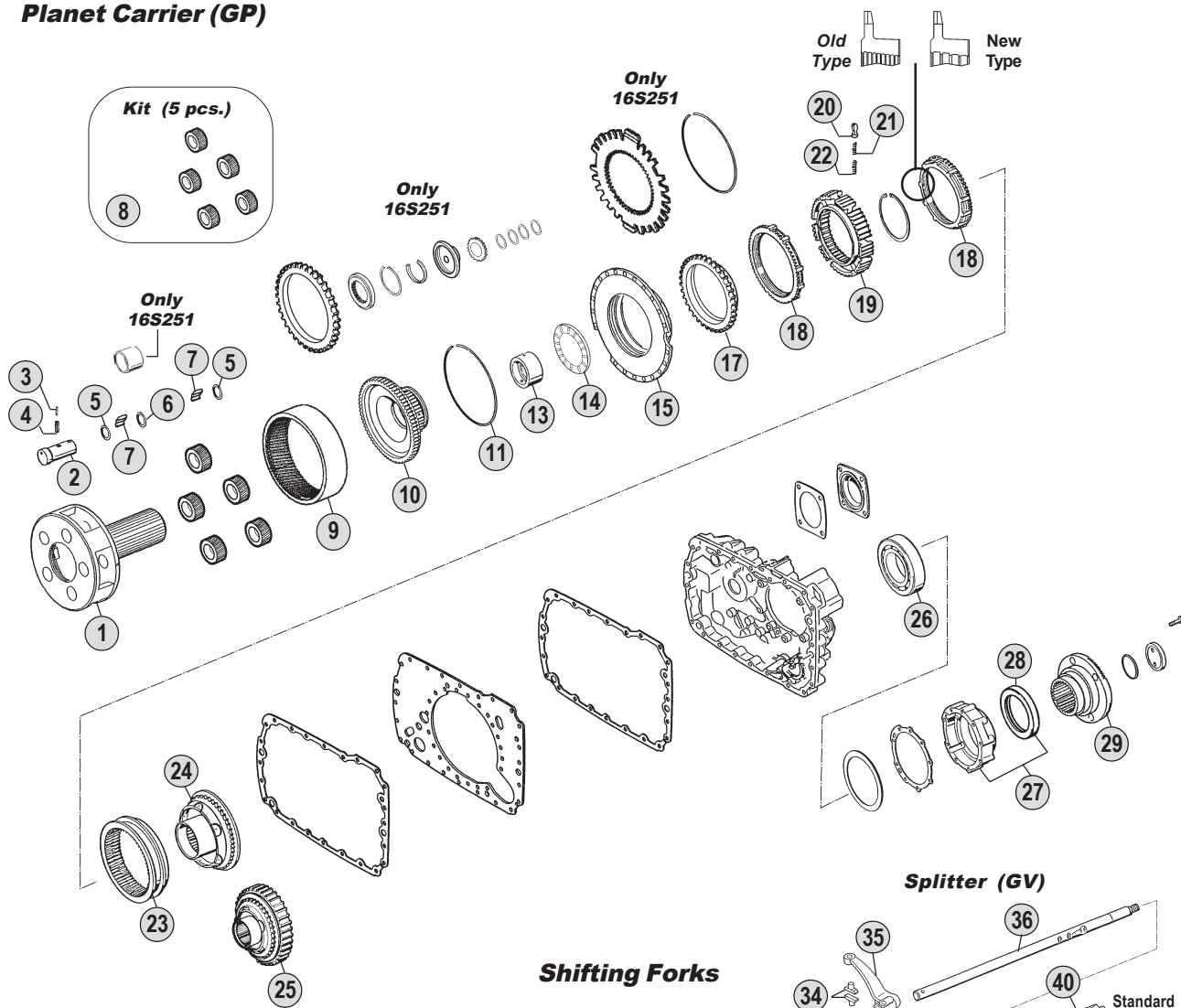
## Table

013 / B

Suitable To : **ZF**

**16S151 - 16S181 - 16S221**

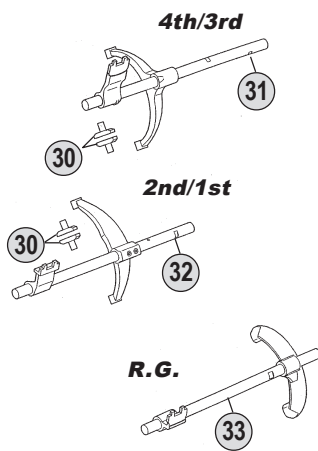
**Planet Carrier (GP)**



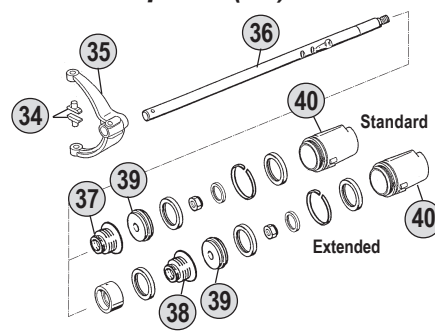
**Shifting Forks**

**Springs & Slides Kits**

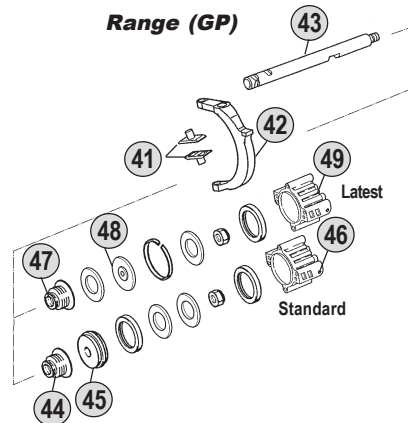
|               |               |               |
|---------------|---------------|---------------|
| x 3           | x 6           | x 9           |
| x 3           | x 6           | x 9           |
| x 3           | x 6           | x 9           |
| <b>Kit 50</b> | <b>Kit 51</b> | <b>Kit 52</b> |



**Splitter (GV)**



**Range (GP)**



**Kits**



**Ratios**

|               |               |                 |                 |       |       |
|---------------|---------------|-----------------|-----------------|-------|-------|
| <b>16S151</b> | A: 13,74-0,84 | B: 13,80 - 0,84 | C: 16,41 - 1,00 | D: -- | E: -- |
| <b>16S181</b> | A: -          | B: 13,80 - 0,84 | C: 16,41 - 1,00 | D: -- | E: -- |
| <b>16S221</b> | A: 13,74-0,84 | B: 13,80 - 0,84 | C: 16,41 - 1,00 | D: -- | E: -- |

All original equipment manufacturers' numbers, symbols, pictures, models and description used in this catalogue are for reference only, and it is not implied that any part listed is the product of these manufactures. Tutti i nostri particolari non sono originali ma con essi intercambiabili. I riferimenti originali, le figure, i modelli sono esposti a semplice titolo indicativo. La nostra produzione riporta il nostro marchio.

16S151 (1315)  
16S181 (1316)  
16S221 (1316)

| Fig. | CEI no.        | O.E.M. Reference |           | Description             | Q.ty | Note          | Ratio |               |               |               |  |  |  |
|------|----------------|------------------|-----------|-------------------------|------|---------------|-------|---------------|---------------|---------------|--|--|--|
|      |                | ZF no.           | IVECO no. |                         |      |               |       | 16S151 (1315) | 16S181 (1316) | 16S221 (1316) |  |  |  |
| 30   | <b>141.163</b> | 1297 306 120     | 8198817   | Slide                   | 2    | Old Type      |       | ●             | ●             | ●             |  |  |  |
| 30   | 141.168        | 1316 306 015     | 42537353  | Slide                   | 2    | New Type      |       | ●             | ●             | ●             |  |  |  |
| 31   |                | 1315 206 013     | 93190522  | Fork                    | 1    | Old Type      |       | ●             |               |               |  |  |  |
| 31   |                | 1315 206 055     | 42537658  | Fork                    | 1    | New Type      |       | ●             |               |               |  |  |  |
| 31   |                | 1315 206 024     | 93192530  | Fork                    | 1    | Old Type      |       | ●             |               |               |  |  |  |
| 31   |                | 1315 206 056     |           | Fork                    | 1    | New Type      |       | ●             |               |               |  |  |  |
| 31   |                | 1316 206 018     | 93191202  | Fork                    | 1    | Old Type      |       |               | ●             | ●             |  |  |  |
| 31   |                | 1316 206 037     | 42537352  | Fork                    | 1    | New Type      |       |               | ●             | ●             |  |  |  |
| 31   |                | 1316 206 017     |           | Fork                    | 1    | Old Type      |       |               |               | ●             |  |  |  |
| 31   |                | 1316 206 038     |           | Fork                    | 1    | New Type      |       |               |               | ●             |  |  |  |
| 32   |                | 1315 206 046     | 42532016  | Fork                    | 1    | Old Type      |       | ●             |               |               |  |  |  |
| 32   |                | 1315 206 052     | 42537660  | Fork                    | 1    | New Type      |       | ●             |               |               |  |  |  |
| 32   |                | 1315 206 047     | 42532067  | Fork                    | 1    | Old Type      |       | ●             |               |               |  |  |  |
| 32   |                | 1315 206 053     |           | Fork                    | 1    | New Type      |       | ●             |               |               |  |  |  |
| 32   |                | 1316 206 025     | 42531414  | Fork                    | 1    | Old Type      |       |               | ●             | ●             |  |  |  |
| 32   |                | 1316 206 033     | 42537351  | Fork                    | 1    | New Type      |       |               | ●             | ●             |  |  |  |
| 32   |                | 1316 206 026     |           | Fork                    | 1    | Old Type      |       |               |               | ●             |  |  |  |
| 32   |                | 1316 206 034     |           | Fork                    | 1    | New Type      |       |               |               | ●             |  |  |  |
| 32   |                | 1316 206 027     |           | Fork                    | 1    | Old Type      |       |               |               | ●             |  |  |  |
| 32   |                | 1316 206 035     |           | Fork                    | 1    | New Type      |       |               |               | ●             |  |  |  |
| 33   |                | 1315 206 003     | 93192531  | Fork                    | 1    |               |       | ●             |               |               |  |  |  |
| 33   |                | 1315 206 023     | 93190523  | Fork                    | 1    |               |       | ●             |               |               |  |  |  |
| 33   |                | 1316 206 013     | 93191203  | Fork                    | 1    |               |       |               | ●             | ●             |  |  |  |
| 33   |                | 1316 206 014     |           | Fork                    | 1    |               |       |               |               | ●             |  |  |  |
| 34   | <b>141.163</b> | 1297 306 120     | 8198817   | Slide                   | 2    | Old Type      |       | ●             | ●             | ●             |  |  |  |
| 34   | 141.168        | 1316 306 015     | 42537353  | Slide                   | 2    | New Type      |       | ●             | ●             | ●             |  |  |  |
| 35   |                | 1315 312 017     | 93190546  | Fork                    | 1    | Old Type      |       | ●             | ●             | ●             |  |  |  |
| 35   |                | 1315 312 074     |           | Fork                    | 1    | New Type      |       | ●             | ●             | ●             |  |  |  |
| 36   |                | 1315 312 049     | 42532017  | Rod                     | 1    | Standard      |       | ●             |               |               |  |  |  |
| 36   |                | 1315 312 022     | 93190545  | Rod                     | 1    | Extended      |       | ●             |               |               |  |  |  |
| 36   |                | 1316 312 016     | 42534711  | Rod                     | 1    | Standard      |       |               | ●             | ●             |  |  |  |
| 36   |                | 1316 312 008     | 93191206  | Rod                     | 1    | Extended      |       |               |               | ●             |  |  |  |
| 37   |                | 0750 112 131     | 93191207  | Cap Collar D.25x40x15   | 1    | Standard      |       | ●             | ●             | ●             |  |  |  |
| 38   | 139.331        | 0750 112 034     | 8190753   | Cap Collar D.25x38x14,2 | 1    | Extended      |       | ●             |               | ●             |  |  |  |
| 39   |                | 1315 312 020     | 93193406  | Piston                  | 1    |               |       | ●             | ●             | ●             |  |  |  |
| 40   |                | 1315 312 048     | 42532018  | Cylinder                | 1    |               |       | ●             |               |               |  |  |  |
| 40   |                | 1316 312 015     | 42531413  | Cylinder                | 1    |               |       |               | ●             | ●             |  |  |  |
| 41   | <b>141.085</b> | 1296 334 004     | 7982228   | Bronze Slide            | 2    |               |       | ●             | ●             | ●             |  |  |  |
| 42   |                | 1315 334 039     | 42531416  | Fork                    | 1    |               |       | ●             | ●             | ●             |  |  |  |
| 43   |                | 1315 334 058     | 42536235  | Rod                     | 1    |               |       | ●             |               |               |  |  |  |
| 43   |                | 1316 334 010     | 42535861  | Rod                     | 1    |               |       |               | ●             | ●             |  |  |  |
| 44   | 139.331        | 0750 112 034     | 8190753   | Cap Collar D.25x38x14,2 | 1    | Standard Type |       | ●             |               | ●             |  |  |  |
| 45   | 189.422        | 1296 334 039     | 42492447  | Piston                  | 1    | Standard Type |       | ●             |               | ●             |  |  |  |
| 46   |                | 1315 334 021     | 93190570  | Cylinder                | 1    | Standard Type |       | ●             |               | ●             |  |  |  |
| 47   |                | 0750 112 131     | 93191207  | Cap Collar D.25x40x15   | 1    | Latest Type   |       | ●             | ●             | ●             |  |  |  |

## Notes

(4) 16S181 Special GP Version. This version use 16S151 GP items.  
For this version use items marked (4) together.

## Date

03 / 2006

## Table

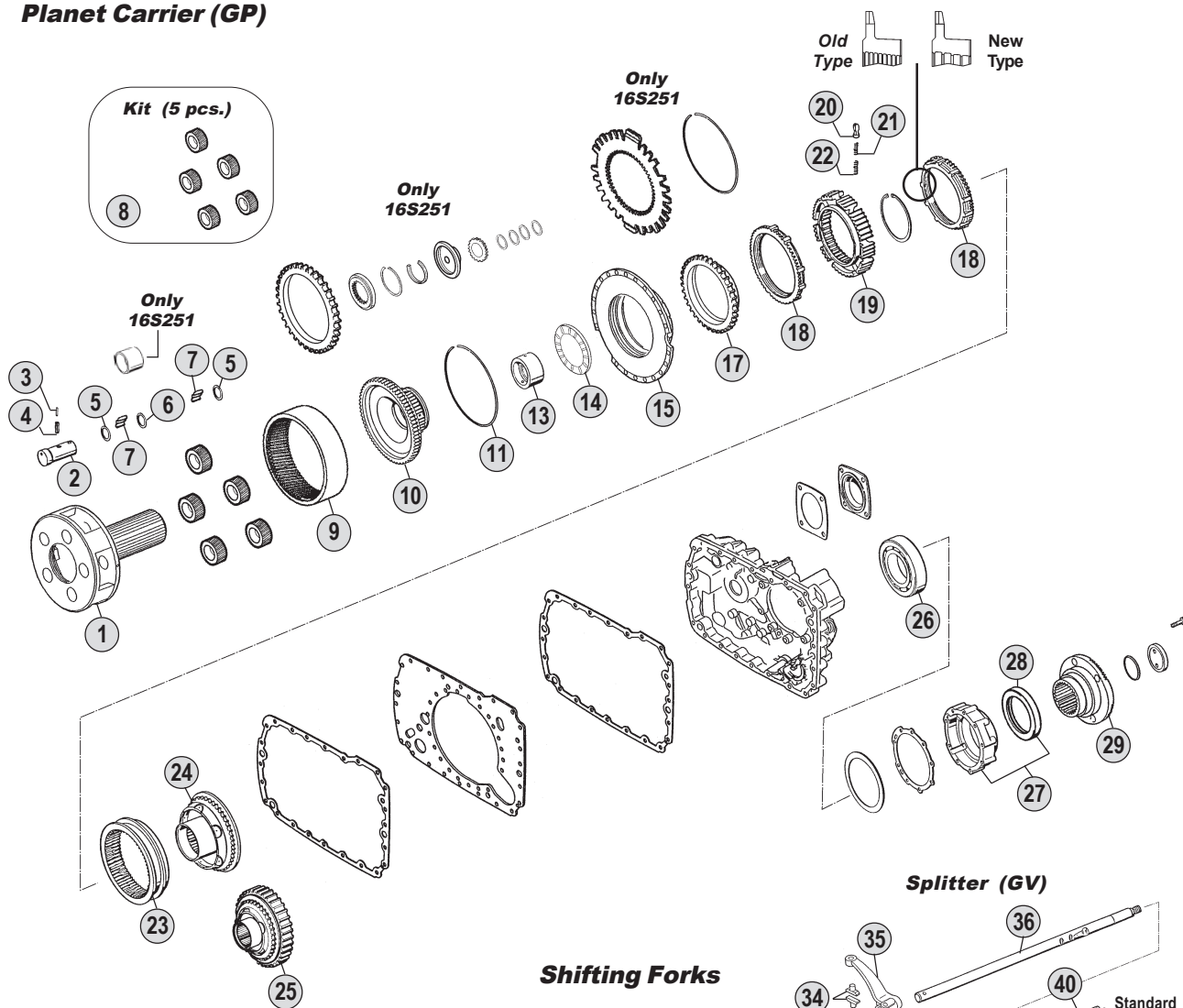
013 / B

All original equipment manufacturers numbers, symbols, pictures, models and description used in this catalogue are for reference only, and it is not implied that any part listed is the product of these manufactures.  
Tutti i nostri particolari non sono originali ma con essi intercambiabili. I riferimenti originali, le figure, i modelli sono esposti a semplice titolo indicativo. La nostra produzione riporta il nostro marchio.

Suitable To : **ZF**

**16S151 - 16S181 - 16S221**

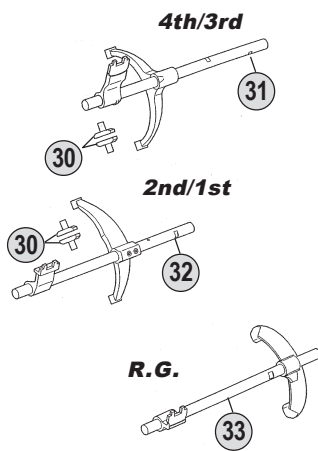
**Planet Carrier (GP)**



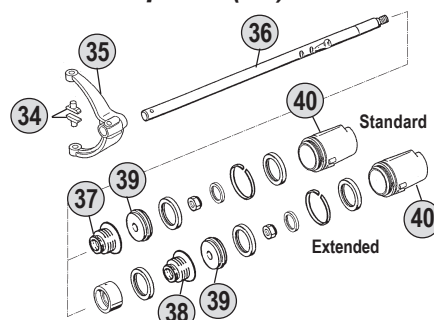
**Shifting Forks**

**Springs & Slides Kits**

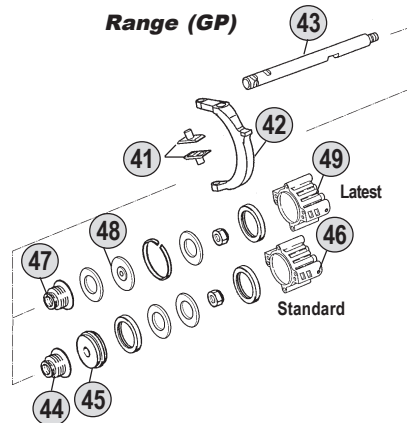
|               |               |               |
|---------------|---------------|---------------|
| x 3           | x 6           | x 9           |
| x 3           | x 6           | x 9           |
| x 3           | x 6           | x 9           |
| <b>Kit 50</b> | <b>Kit 51</b> | <b>Kit 52</b> |



**Splitter (GV)**



**Range (GP)**



**Kits**



**Ratios**

|               |               |                 |                 |       |       |
|---------------|---------------|-----------------|-----------------|-------|-------|
| <b>16S151</b> | A: 13,74-0,84 | B: 13,80 - 0,84 | C: 16,41 - 1,00 | D: -- | E: -- |
| <b>16S181</b> | A: -          | B: 13,80 - 0,84 | C: 16,41 - 1,00 | D: -- | E: -- |
| <b>16S221</b> | A: 13,74-0,84 | B: 13,80 - 0,84 | C: 16,41 - 1,00 | D: -- | E: -- |

All original equipment manufacturers' numbers, symbols, pictures, models and description used in this catalogue are for reference only, and it is not implied that any part listed is the product of these manufactures. Tutti i nostri particolari non sono originali ma con essi intercambiabili. I riferimenti originali, le figure, i modelli sono esposti a semplice titolo indicativo. La nostra produzione riporta il nostro marchio.







Suitable to : **Renault V.I.**

---

# Gearboxes Index

**EcoSplit I**  
**16S130**

**EcoSplit II**  
**16S150**

**EcoSplit III**  
**16S151**  
**16S181**  
**16S221**  
**16S251**

**R.V.I.**  
**INDEX**



suitable to :

**Z.F.****EcoSplit I****From 16S112 to 16S190****Application**

|                 | <b>16S112</b> | <b>16S130</b> | <b>16S160</b> | <b>16S190</b> |
|-----------------|---------------|---------------|---------------|---------------|
|                 | (1296)        | (1295)        | (1297)        | (1297)        |
| <b>MERCEDES</b> |               |               |               |               |
| <b>M.A.N.</b>   |               |               |               |               |
| <b>IVECO</b>    |               |               |               |               |
| <b>R.V.I.</b>   |               |               |               |               |
| <b>DAF</b>      |               |               |               |               |
| <b>VOLVO</b>    |               |               |               |               |

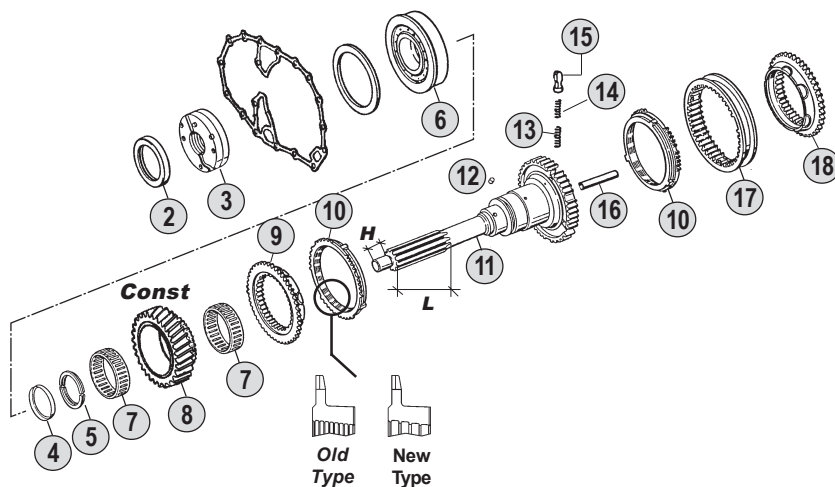
**ECO I**  
16S130**Ratios**

|               | <b>R.10,14-0,72</b> | <b>R.11,46-0,85</b> | <b>R.13,68-1,00</b> | <b>R.14,29-0,82</b> | <b>R.17,06-1,00</b> |
|---------------|---------------------|---------------------|---------------------|---------------------|---------------------|
|               | <b>A</b>            | <b>B</b>            | <b>C</b>            | <b>D</b>            | <b>E</b>            |
| <b>16S112</b> |                     |                     |                     |                     |                     |
| <b>16S130</b> |                     |                     |                     |                     |                     |
| <b>16S160</b> |                     |                     |                     |                     |                     |
| <b>16S190</b> |                     |                     |                     |                     |                     |

Suitable To : **ZF**

**16S130**

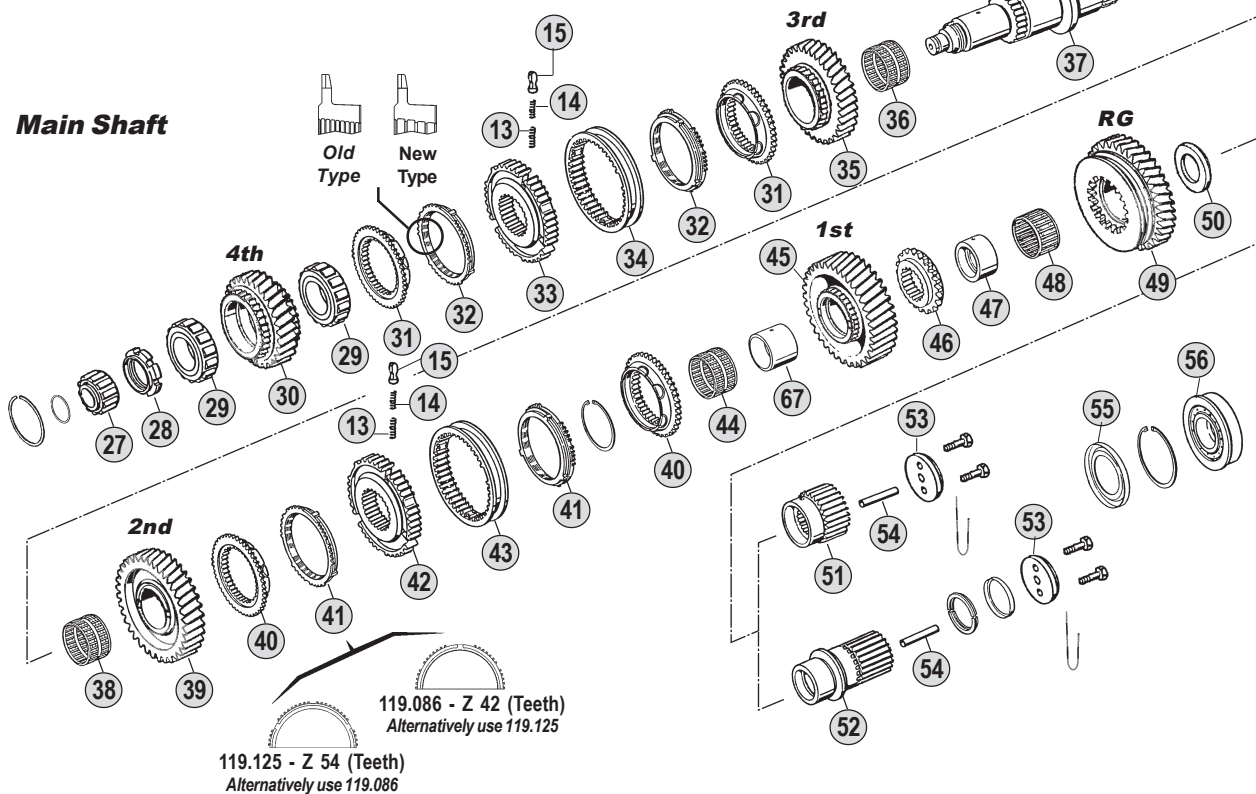
**Input Shaft**



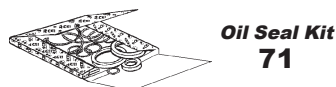
**Springs & Slides Kits**

|               |               |               |
|---------------|---------------|---------------|
| x 3           | x 6           | x 9           |
| x 3           | x 6           | x 9           |
| x 3           | x 6           | x 9           |
| <b>Kit 68</b> | <b>Kit 69</b> | <b>Kit 70</b> |

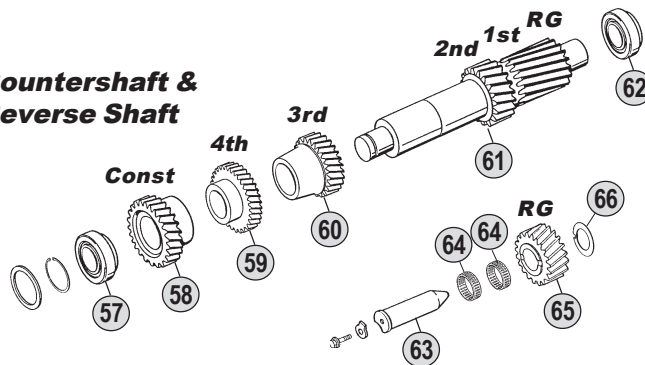
**Main Shaft**



**Kits**



**Countershaft & Reverse Shaft**



**Ratios**

**16S130** A:10,14-0,72 B: 11,46 - 0,85 C: 13,68 - 1,00 D: 14,29 - 0,82 E:--

All original equipment manufacturers' numbers, symbols, pictures, models and description used in this catalogue are for reference only, and it is not implied that any part listed is the product of these manufactures. Tutti i nostri particolari non sono originali ma con essi intercambiabili. I riferimenti originali, le figure, i modelli sono esposti a semplice titolo indicativo. La nostra produzione riporta il nostro marchio.

| Fig. | CEI no.        | O.E.M. Reference |               | Description                 | Q.ty | Note                | Ratio |        |  |  |  |  |  |
|------|----------------|------------------|---------------|-----------------------------|------|---------------------|-------|--------|--|--|--|--|--|
|      |                | ZF no.           | R.V.I. no.    |                             |      |                     |       | 16S130 |  |  |  |  |  |
| 2    |                | 0634 310 733     |               | Oil Seal 90x110x13          | 1    |                     |       | ●      |  |  |  |  |  |
| 3    | <b>280.348</b> | 1295 202 041     | 50 01 831 784 | Oil Pump                    | 1    |                     |       | ●      |  |  |  |  |  |
| 4    | 169.754        | 0730 061 816     | 50 01 821 499 | Securing Ring               | 1    |                     |       | ●      |  |  |  |  |  |
| 4    | 169.755        | 0730 062 579     | 50 01 842 887 | Securing Ring               | 1    | S.4,20 mm           |       | ●      |  |  |  |  |  |
| 5    |                | 0730 103 244     | 50 01 821 494 | Split Ring T.4,30 mm        | 1    | S.4,30 mm (2)       |       | ●      |  |  |  |  |  |
| 5    |                | 0730 103 935     |               | Split Ring T.3,80 mm        | 1    | S.3,80 mm (2)       |       | ●      |  |  |  |  |  |
| 5    |                | 0730 105 156     |               | Split Ring T.4,00 mm        | 1    | S.4,00 mm (3)       |       | ●      |  |  |  |  |  |
| 5    |                | 0730 105 154     |               | Split Ring T.3,80 mm        | 1    | S.3,80 mm (3)       |       | ●      |  |  |  |  |  |
| 6    | 130.305        | 0750 118 131     | 50 00 293 036 | Bearing D.80x150x27,50      | 1    |                     |       | ●      |  |  |  |  |  |
| 7    | <b>137.082</b> | 0735 320 786     | 50 00 293 165 | Needle Cage D.88x96x24,50   | 2    |                     |       | ●      |  |  |  |  |  |
| 8    | <b>145.276</b> | 1295 302 071     |               | Constant Gear 28 T          | 1    |                     | AC    | ●      |  |  |  |  |  |
| 8    | 145.489        | 1295 302 070     | 50 00 289 688 | Constant Gear 30 T          | 1    |                     | B     | ●      |  |  |  |  |  |
| 8    | 145.541        | 1295 302 122     | 50 01 821 431 | Constant Gear 29 T          | 1    |                     | D     | ●      |  |  |  |  |  |
| 9    | <b>109.072</b> | 1295 304 278     | 50 00 289 689 | Synchronizer Cone           | 1    |                     |       | ●      |  |  |  |  |  |
| 10   | <b>119.084</b> | 1295 304 004     | 50 00 289 691 | Synchronizer Ring           | 2    | Old Type            |       | ●      |  |  |  |  |  |
| 10   | <b>119.175</b> | 1304 304 686     |               | Synchronizer Ring           | 2    | New Type            |       | ●      |  |  |  |  |  |
| 11   |                | 1295 221 003     | 50 00 289 686 | Input Shaft                 | 1    | NMV130 (Clutch PTO) |       | ●      |  |  |  |  |  |
| 12   |                | 0635 470 012     | 07 75 150 400 | Pin                         | 1    |                     |       | ●      |  |  |  |  |  |
| 13   | <b>156.037</b> | 0732 040 385     | 77 01 007 805 | Outer Spring De.6x34        | 3    |                     |       | ●      |  |  |  |  |  |
| 14   | <b>156.036</b> | 0732 040 386     | 50 00 255 277 | Inner Spring De.3x34        | 3    |                     |       | ●      |  |  |  |  |  |
| 15   | <b>160.116</b> | 1240 304 278     | 50 00 255 276 | Pressure piece              | 3    |                     |       | ●      |  |  |  |  |  |
| 16   | 188.208        | 0730 062 323     |               | Oil Tube                    | 1    |                     |       | ●      |  |  |  |  |  |
| 17   | <b>154.097</b> | 1295 304 002     | 50 00 289 690 | Sliding Sleeve              | 1    |                     |       | ●      |  |  |  |  |  |
| 18   | <b>109.072</b> | 1295 304 278     | 50 00 289 689 | Synchronizer Cone           | 1    |                     |       | ●      |  |  |  |  |  |
| 27   | 137.081        | 0750 118 010     | 50 00 293 086 | Roller Cage D.30x60x25,50   | 1    |                     |       | ●      |  |  |  |  |  |
| 28   | 187.412        | 0737 502 092     | 50 00 293 038 | Grooved Nut M60x1,5         | 1    |                     |       | ●      |  |  |  |  |  |
| 29   | 137.083        | 0750 118 005     | 50 00 293 043 | Roller Cage D.63x97,5x34,80 | 2    |                     |       | ●      |  |  |  |  |  |
| 30   | <b>146.212</b> | 1295 304 135     |               | Gear 4th Speed 30 T         | 1    |                     | AC    | ●      |  |  |  |  |  |
| 30   | <b>146.356</b> | 1295 304 136     | 50 00 289 176 | Gear 4th Speed 28 T         | 1    |                     | B     | ●      |  |  |  |  |  |
| 30   | <b>146.454</b> | 1295 304 236     | 50 01 821 489 | Gear 4th Speed 26 T         | 1    |                     | D     | ●      |  |  |  |  |  |
| 31   | <b>109.072</b> | 1295 304 278     | 50 00 289 689 | Synchronizer Cone           | 2    |                     |       | ●      |  |  |  |  |  |
| 32   | <b>119.084</b> | 1295 304 004     | 50 00 289 691 | Synchronizer Ring           | 2    | Old Type            |       | ●      |  |  |  |  |  |
| 32   | <b>119.175</b> | 1304 304 686     |               | Synchronizer Ring           | 2    | New Type            |       | ●      |  |  |  |  |  |
| 33   | <b>157.110</b> | 1297 304 031     | 50 00 289 724 | Synchronizer Hub            | 1    |                     |       | ●      |  |  |  |  |  |
| 34   | <b>154.097</b> | 1295 304 002     | 50 00 289 690 | Sliding Sleeve              | 1    |                     |       | ●      |  |  |  |  |  |
| 35   |                | 1295 304 269     |               | Gear 3rd Speed 25 T         | 1    |                     | A     | ●      |  |  |  |  |  |
| 35   | 145.495        | 1295 304 127     | 50 00 289 714 | Gear 3rd Speed 32 T         | 1    |                     | BD    | ●      |  |  |  |  |  |
| 35   | <b>145.277</b> | 1295 304 128     |               | Gear 3rd Speed 34 T         | 1    |                     | C     | ●      |  |  |  |  |  |
| 36   | <b>137.084</b> | 0735 320 418     | 50 00 821 191 | Needle Cage D.82x90x49      | 1    |                     |       | ●      |  |  |  |  |  |
| 37   |                | 1295 304 273     |               | Main Shaft                  | 1    |                     | A     | ●      |  |  |  |  |  |
| 37   | 103.075        | 1295 304 245     | 50 00 289 695 | Main Shaft                  | 1    |                     | BC    | ●      |  |  |  |  |  |
| 37   | 103.140        | 1295 304 250     | 50 01 821 488 | Main Shaft                  | 1    |                     | D     | ●      |  |  |  |  |  |
| 38   | <b>137.112</b> | 0735 320 451     |               | Needle Cage D.82x90x60      | 1    |                     | A     | ●      |  |  |  |  |  |
| 38   | <b>137.084</b> | 0735 320 418     | 50 00 821 191 | Needle Cage D.82x90x49      | 1    |                     | BCD   | ●      |  |  |  |  |  |
| 39   |                | 1295 304 271     |               | Gear 2nd Speed 34 T         | 1    |                     | A     | ●      |  |  |  |  |  |

## Notes

- (2) To be coupled together with Fig. 4 - 0730 061 816  
 (3) To be coupled together with Fig. 4 - 0730 062 579  
 (6) Old Type. Old Syncro Ring Ø 175.5 mm ( Z 57 or 30 ) -  
 Standard Syncro Ring Ø 192 mm ( Z 63 or 54 ) Use items marked (6) together

## Date

03 / 2006

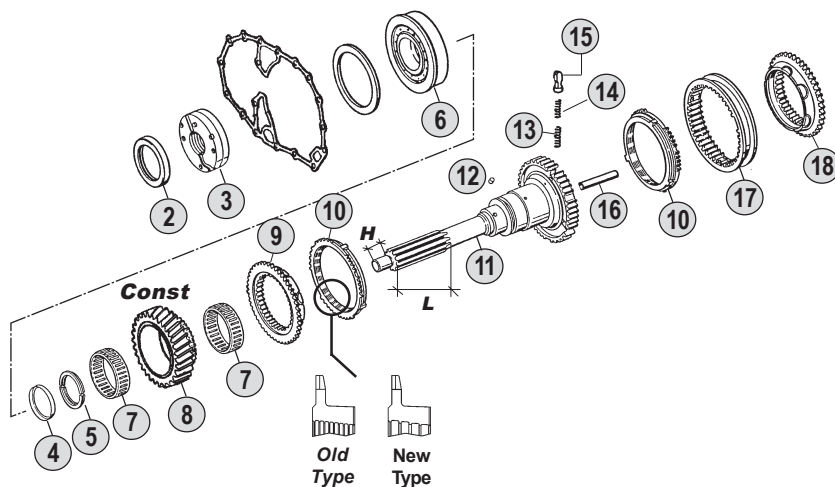
## Table

014 / A

Suitable To : **ZF**

**16S130**

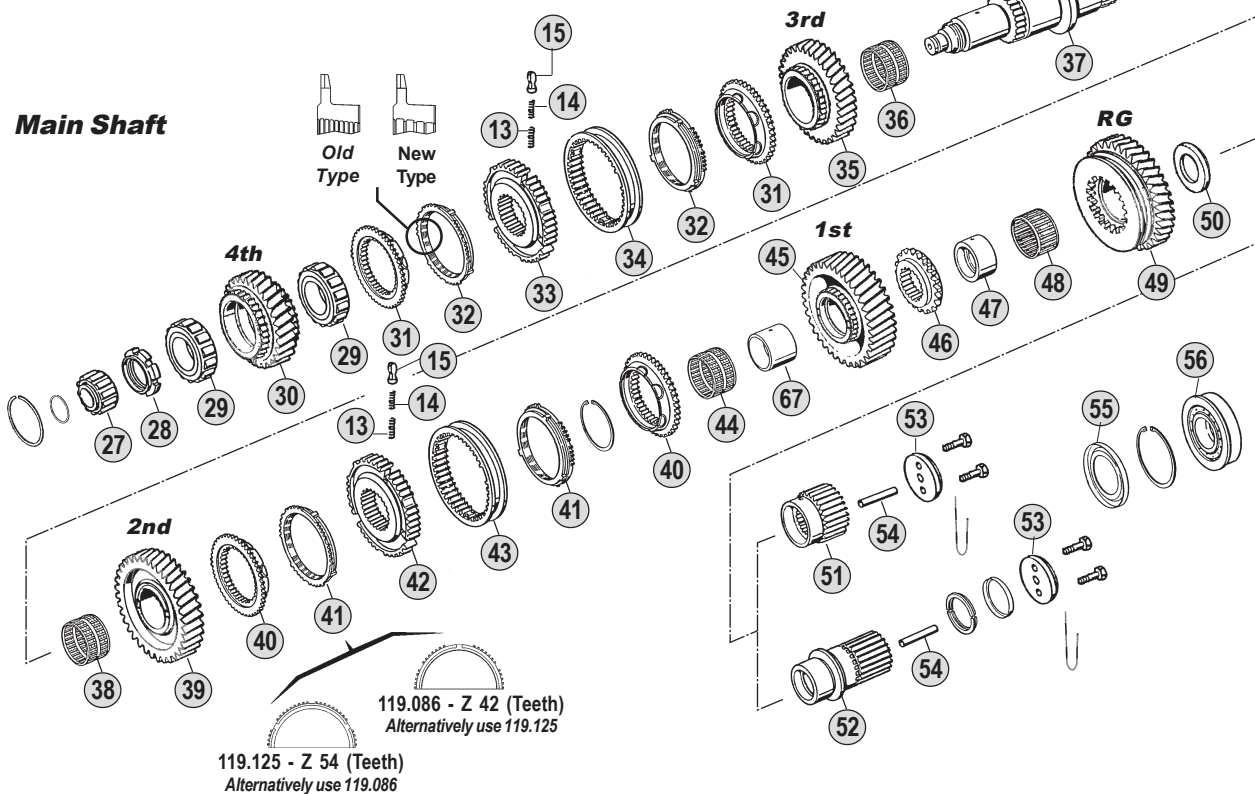
**Input Shaft**



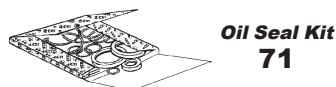
**Springs & Slides Kits**

|               |               |               |
|---------------|---------------|---------------|
| x 3           | x 6           | x 9           |
| x 3           | x 6           | x 9           |
| x 3           | x 6           | x 9           |
| <b>Kit 68</b> | <b>Kit 69</b> | <b>Kit 70</b> |

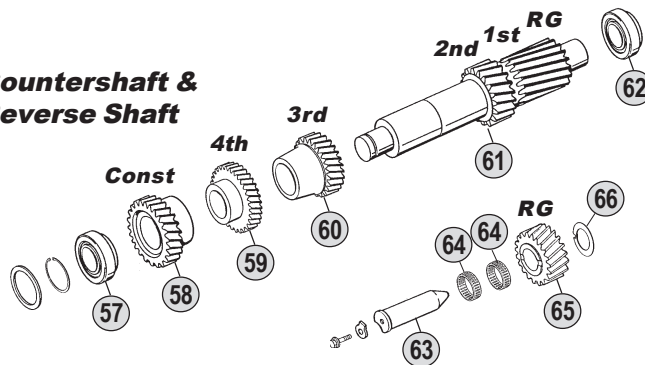
**Main Shaft**



**Kits**



**Countershaft & Reverse Shaft**



**Ratios**

**16S130** A:10,14-0,72 B: 11,46 - 0,85 C: 13,68 - 1,00 D: 14,29 - 0,82 E:--

All original equipment manufacturers' numbers, symbols, pictures, models and description used in this catalogue are for reference only, and it is not implied that any part listed is the product of these manufactures. Tutti i nostri particolari non sono originali ma con essi intercambiabili. I riferimenti originali, le figure, i modelli sono esposti a semplice titolo indicativo. La nostra produzione riporta il nostro marchio.

| Fig. | O.E.M. Reference |              | Description   | Q.ty                         | Note | Ratio                   |            |  |  |  |  |  |  |  |
|------|------------------|--------------|---------------|------------------------------|------|-------------------------|------------|--|--|--|--|--|--|--|
|      | CEI no.          | ZF no.       |               |                              |      |                         | R.V.I. no. |  |  |  |  |  |  |  |
| 39   | 145.501          | 1295 304 120 | 50 00 289 704 | Gear 2nd Speed 37 T          | 1    | BD                      | ●          |  |  |  |  |  |  |  |
| 39   | <b>145.278</b>   | 1295 304 121 |               | Gear 2nd Speed 38 T          | 1    | C                       | ●          |  |  |  |  |  |  |  |
| 40   | <b>109.074</b>   | 1297 304 196 | 50 00 289 709 | Synchronizer Cone            | 2    |                         | ●          |  |  |  |  |  |  |  |
| 40   | <b>109.072</b>   | 1295 304 278 | 50 00 289 689 | Synchronizer Cone            | 2    | (6)                     | ●          |  |  |  |  |  |  |  |
| 41   | <b>119.125</b>   | 1296 304 135 | 50 01 824 949 | Synchronizer Ring            | 2    | Z 54 - Alt. use 119.086 | ●          |  |  |  |  |  |  |  |
| 41   | <b>119.086</b>   | 1246 304 278 | 50 00 289 708 | Synchronizer Ring 42 T       | 2    | Z 42 - Alt. use 119.125 | ●          |  |  |  |  |  |  |  |
| 41   | <b>119.084</b>   | 1295 304 004 | 50 00 289 691 | Synchronizer Ring            | 2    | (6)                     | ●          |  |  |  |  |  |  |  |
| 42   | <b>157.111</b>   | 1297 304 195 | 50 00 289 707 | Synchronizer Hub             | 1    |                         | ●          |  |  |  |  |  |  |  |
| 42   | <b>157.110</b>   | 1297 304 031 | 50 00 289 724 | Synchronizer Hub             | 1    | (6)                     | ●          |  |  |  |  |  |  |  |
| 43   | <b>154.051</b>   | 1257 304 020 | 50 00 559 621 | Sliding Sleeve 1st-2nd Speed | 1    |                         | ●          |  |  |  |  |  |  |  |
| 43   | <b>154.097</b>   | 1295 304 002 | 50 00 289 690 | Sliding Sleeve               | 1    | (6)                     | ●          |  |  |  |  |  |  |  |
| 44   | <b>137.159</b>   | 0735 320 548 |               | Needle Cage D.70x78x46       | 1    | A                       | ●          |  |  |  |  |  |  |  |
| 44   | <b>137.085</b>   | 0735 320 496 | 50 00 293 042 | Needle Cage D.70x78x55       | 1    | BCD                     | ●          |  |  |  |  |  |  |  |
| 45   |                  | 1295 304 270 |               | Gear 1st Speed 41 T          | 1    | A                       | ●          |  |  |  |  |  |  |  |
| 45   | 145.506          | 1295 304 203 | 50 00 289 710 | Gear 1st Speed 44 T          | 1    | BD                      | ●          |  |  |  |  |  |  |  |
| 45   | 145.279          | 1295 304 202 |               | Gear 1st Speed 47 T          | 1    | C                       | ●          |  |  |  |  |  |  |  |
| 46   | 109.184          | 1295 304 024 |               | Engaging Ring                | 1    | A                       | ●          |  |  |  |  |  |  |  |
| 46   | 109.075          | 1295 304 206 | 50 00 289 711 | Engaging Ring                | 1    | BCD                     | ●          |  |  |  |  |  |  |  |
| 47   | 117.203          | 1295 304 012 | 50 00 289 956 | Bush D.60x75x38              | 1    | ABC                     | ●          |  |  |  |  |  |  |  |
| 48   | <b>137.086</b>   | 0750 115 059 | 50 00 293 039 | Needle Cage D.75x83x40       | 1    |                         | ●          |  |  |  |  |  |  |  |
| 49   |                  | 1295 304 272 |               | Reverse Gear 39 T            | 1    | A                       | ●          |  |  |  |  |  |  |  |
| 49   | 147.138          | 1295 304 201 | 50 00 289 712 | Reverse Gear 39 T            | 1    | BD                      | ●          |  |  |  |  |  |  |  |
| 49   | 147.093          | 1295 304 200 |               | Reverse Gear 38 T            | 1    | C                       | ●          |  |  |  |  |  |  |  |
| 50   | 169.409          | 1295 304 240 | 50 00 289 713 | Thrust Washer                | 1    | ABC                     | ●          |  |  |  |  |  |  |  |
| 51   | 157.112          | 1295 304 248 | 50 00 289 728 | Sun Gear 27 T                | 1    | ABC                     | ●          |  |  |  |  |  |  |  |
| 52   | 157.207          | 1295 304 251 | 50 01 821 493 | Sun Gear 24 T                | 1    | D                       | ●          |  |  |  |  |  |  |  |
| 53   | 188.076          | 1272 304 021 | 50 00 289 730 | Stop Washer                  | 1    |                         | ●          |  |  |  |  |  |  |  |
| 54   |                  | 0730 061 842 | 50 00 283 839 | Oil Tube                     | 1    |                         | ●          |  |  |  |  |  |  |  |
| 55   |                  | 1295 304 129 | 50 00 289 666 | Oil Collector                | 1    | ABC                     | ●          |  |  |  |  |  |  |  |
| 55   |                  | 1297 301 004 | 50 01 821 798 | Oil Collector                | 1    | D                       | ●          |  |  |  |  |  |  |  |
| 56   | 130.240          | 0750 118 153 | 50 00 293 032 | Bearing D.60x130x31          | 1    | ABC                     | ●          |  |  |  |  |  |  |  |
| 56   |                  | 0750 118 137 | 50 01 821 796 | Bearing 80x140x26            | 1    | D                       | ●          |  |  |  |  |  |  |  |
| 57   | <b>130.242</b>   | 0750 117 010 | 50 00 808 760 | Bearing D.50,80x100x35       | 1    |                         | ●          |  |  |  |  |  |  |  |
| 58   | <b>146.210</b>   | 1295 303 101 |               | Constant Gear 34 T           | 1    | AC                      | ●          |  |  |  |  |  |  |  |
| 58   | 146.354          | 1295 303 036 | 50 00 289 693 | Constant Gear 31 T           | 1    | B                       | ●          |  |  |  |  |  |  |  |
| 58   | 146.457          | 1295 303 060 | 50 01 821 435 | Constant Gear 32 T           | 1    | D                       | ●          |  |  |  |  |  |  |  |
| 59   | <b>146.209</b>   | 1295 303 027 |               | Gear 4th Speed 31 T          | 1    | AC                      | ●          |  |  |  |  |  |  |  |
| 59   | 146.413          | 1295 303 028 | 50 00 289 694 | Gear 4th Speed 34 T          | 1    | B                       | ●          |  |  |  |  |  |  |  |
| 59   | 146.461          | 1295 303 094 | 50 01 821 436 | Gear 4th Speed 35 T          | 1    | D                       | ●          |  |  |  |  |  |  |  |
| 60   |                  | 1295 303 071 |               | Gear 3rd Speed 36 T          | 1    | A                       | ●          |  |  |  |  |  |  |  |
| 60   | 146.355          | 1295 303 025 | 50 00 289 692 | Gear 3rd Speed 28 T          | 1    | BD                      | ●          |  |  |  |  |  |  |  |
| 60   | <b>146.211</b>   | 1295 303 026 |               | Gear 3rd Speed 25 T          | 1    | C                       | ●          |  |  |  |  |  |  |  |
| 61   |                  | 1295 303 072 |               | Countershaft                 | 1    | A                       | ●          |  |  |  |  |  |  |  |
| 61   | 105.119          | 1295 303 067 | 50 00 289 702 | Countershaft 19-23 T         | 1    | BD                      | ●          |  |  |  |  |  |  |  |
| 61   | <b>105.060</b>   | 1295 303 066 |               | Countershaft 17-20 T         | 1    | C                       | ●          |  |  |  |  |  |  |  |

## Notes

- (2) To be coupled together with Fig. 4 - 0730 061 816  
 (3) To be coupled together with Fig. 4 - 0730 062 579  
 (6) Old Type. Old Syncro Ring Ø 175.5 mm ( Z 57 or 30 ) -  
 Standard Syncro Ring Ø 192 mm ( Z 63 or 54 ) Use items marked (6) together

## Date

03 / 2006

## Table

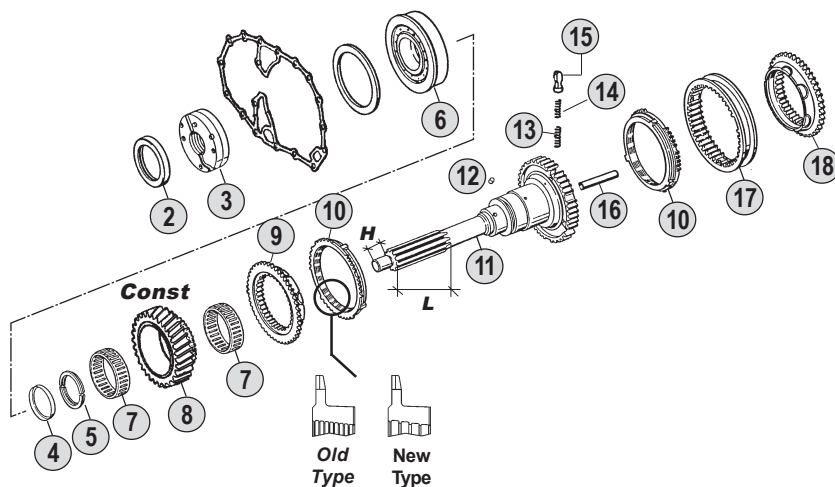
014 / A



Suitable To : **ZF**

**16S130**

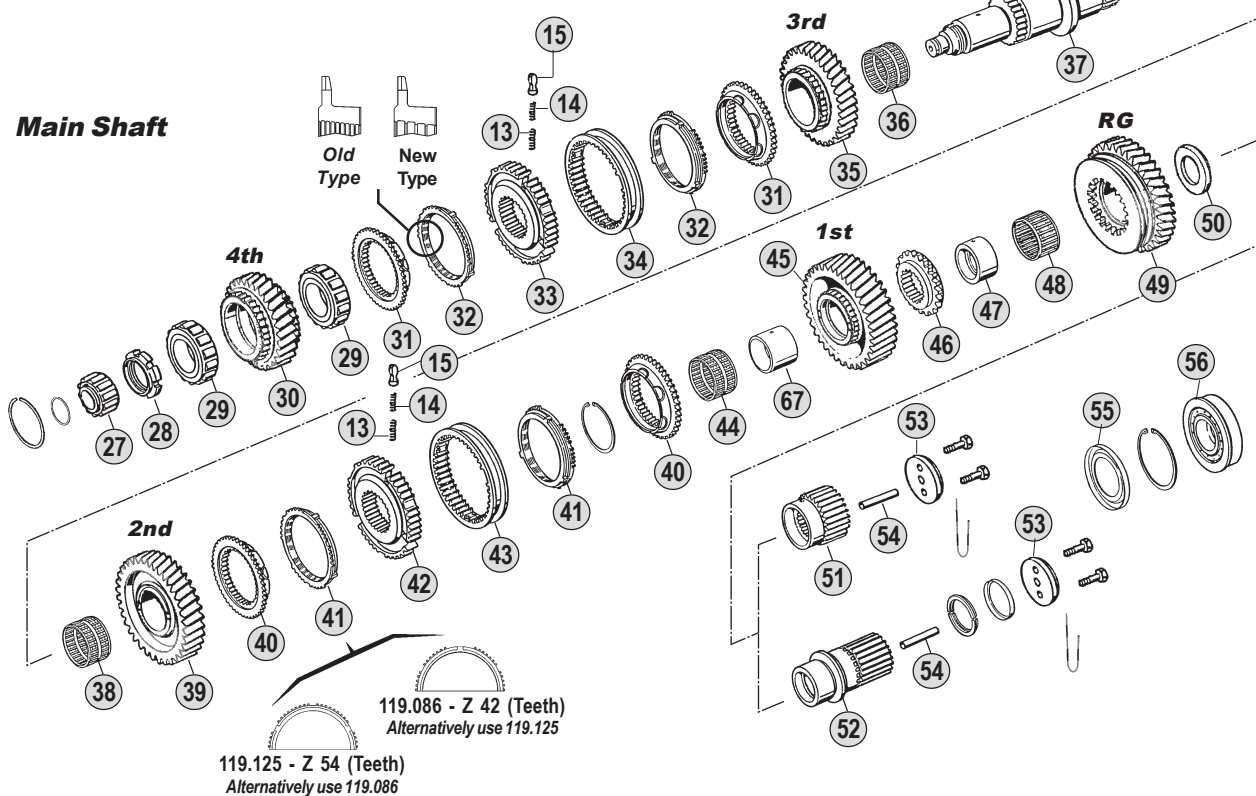
**Input Shaft**



**Springs & Slides Kits**

|               |               |               |
|---------------|---------------|---------------|
| x 3           | x 6           | x 9           |
| x 3           | x 6           | x 9           |
| x 3           | x 6           | x 9           |
| <b>Kit 68</b> | <b>Kit 69</b> | <b>Kit 70</b> |

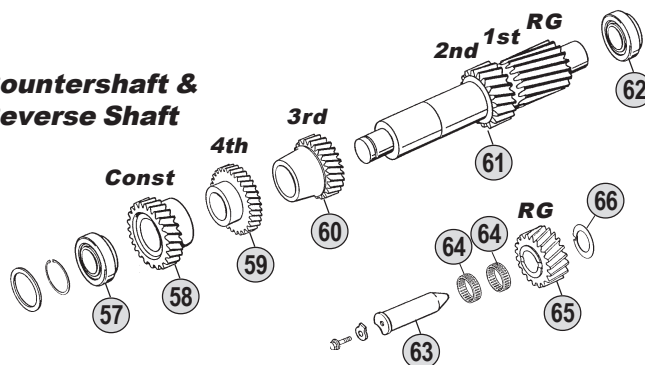
**Main Shaft**



**Kits**



**Countershaft & Reverse Shaft**



**Ratios**

**16S130** A:10,14-0,72 B: 11,46 - 0,85 C: 13,68 - 1,00 D: 14,29 - 0,82 E:--

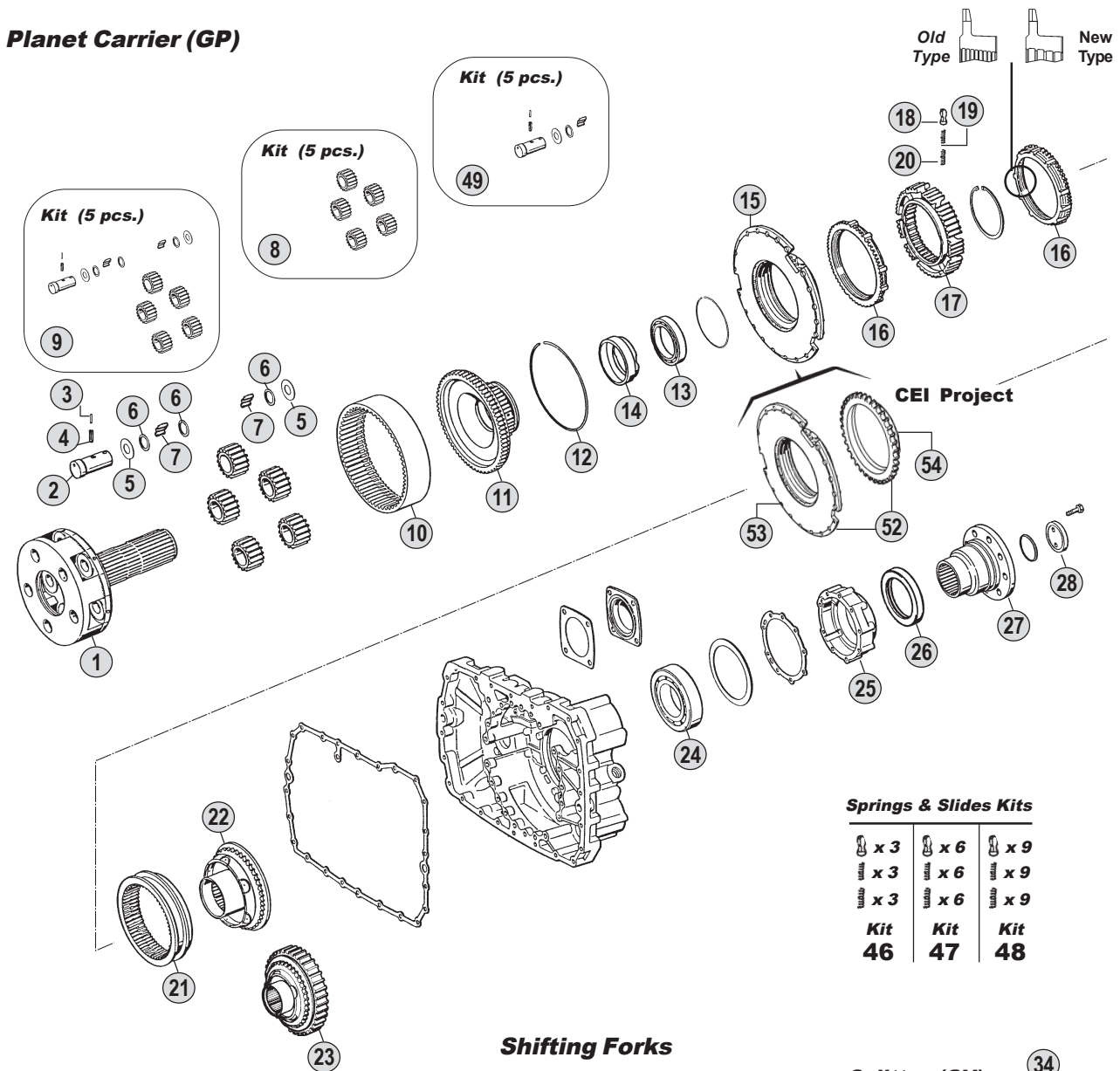
All original equipment manufacturers' numbers, symbols, pictures, models and description used in this catalogue are for reference only, and it is not implied that any part listed is the product of these manufactures. Tutti i nostri particolari non sono originali ma con essi intercambiabili. I riferimenti originali, le figure, i modelli sono esposti a semplice titolo indicativo. La nostra produzione riporta il nostro marchio.



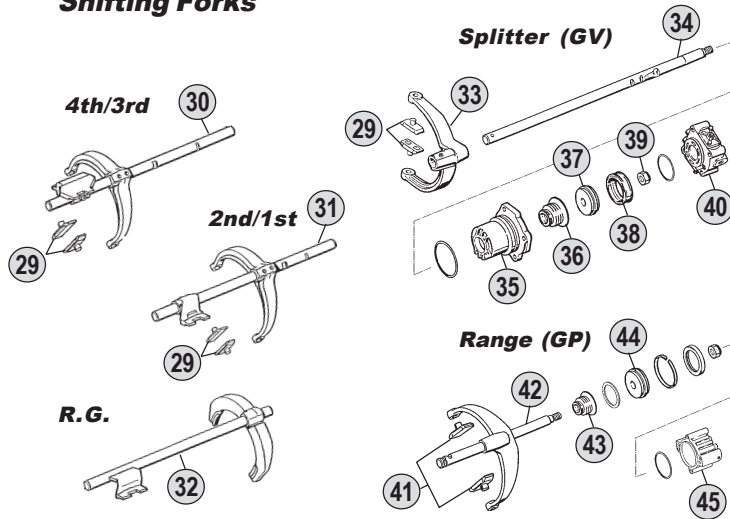
Suitable To : **ZF**

**16S130**

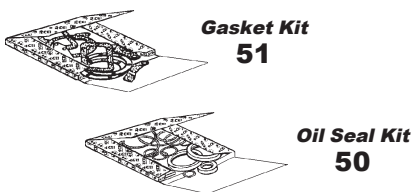
**Planet Carrier (GP)**



**Shifting Forks**



**Kits**



**Ratios**

**16S130** A:10,14-0,72 B: 11,46 - 0,85 C: 13,68 - 1,00 D: 14,29 - 0,82 E:--

All original equipment manufacturers' numbers, symbols, pictures, models and description used in this catalogue are for reference only, and it is not implied that any part listed is the product of these manufactures. Tutti i nostri particolari non sono originali ma con essi intercambiabili. I riferimenti originali, le figure, i modelli sono esposti a semplice titolo indicativo. La nostra produzione riporta il nostro marchio.

| Fig. | O.E.M. Reference |              |               | Description                     | Q.ty | Note          | Ratio |        |  |  |  |  |  |  |
|------|------------------|--------------|---------------|---------------------------------|------|---------------|-------|--------|--|--|--|--|--|--|
|      | CEI no.          | ZF no.       | R.V.I. no.    |                                 |      |               |       | 16S130 |  |  |  |  |  |  |
| 1    | 190.169          | 1295 232 044 | 50 00 289 812 | Planetary Carrier               | 1    |               | ABC   | ●      |  |  |  |  |  |  |
| 1    | 190.395          | 1297 232 045 | 50 01 821 634 | Planetary Carrier               | 1    |               | D     | ●      |  |  |  |  |  |  |
| 2    | <b>107.089</b>   | 1269 332 036 | 00 03 205 269 | Planet Shaft                    | 5    |               | ABC   | ●      |  |  |  |  |  |  |
| 2    | <b>107.163</b>   | 1297 332 109 | 50 01 821 512 | Planet Shaft                    | 5    |               | D     | ●      |  |  |  |  |  |  |
| 3    | <b>160.191</b>   | 0631 329 017 |               | Lock Pin D.3x24                 | 5    |               |       | ●      |  |  |  |  |  |  |
| 4    | <b>160.192</b>   | 0631 329 050 |               | Lock Pin D.5x24                 | 5    |               |       | ●      |  |  |  |  |  |  |
| 5    | 169.408          | 0501 305 887 | 50 00 803 562 | Thrust Washer D.29x57,50x1,50   | 10   |               | ABC   | ●      |  |  |  |  |  |  |
| 5    | <b>169.753</b>   | 0501 306 212 | 50 01 821 510 | Thrust Washer D.29x64x1,5       | 10   |               | D     | ●      |  |  |  |  |  |  |
| 6    | <b>169.410</b>   | 0730 103 846 | 50 00 803 563 | Spacer Ring D.29x39x1,00        | 15   |               |       | ●      |  |  |  |  |  |  |
| 7    | <b>171.016</b>   | 0735 470 057 | 50 00 803 564 | Roller Set D.6x14,75 (180 pcs)  | 180  |               | ABC   | ●      |  |  |  |  |  |  |
| 7    | <b>171.045</b>   | 0750 119 109 | 50 01 821 511 | Roller Set D.10x16,80 (120 pcs) | 120  |               | D     | ●      |  |  |  |  |  |  |
| 8    | <b>198.357</b>   | 1295 232 027 | 50 00 289 814 | Planetary Gear Set (5 pcs)      | 1    |               | ABC   | ●      |  |  |  |  |  |  |
| 8    | <b>198.810</b>   | 1297 232 024 | 50 01 821 509 | Planetary Gear Set (5 pcs)      | 1    |               | D     | ●      |  |  |  |  |  |  |
| 9    | 198.562          | 1296 298 904 |               | Planetary Gear Set              | 1    |               | ABC   | ●      |  |  |  |  |  |  |
| 10   | 123.162          | 1295 332 053 | 50 00 289 816 | Crown Gear 83 T                 | 1    |               | ABC   | ●      |  |  |  |  |  |  |
| 10   | <b>123.208</b>   | 1295 332 086 | 50 01 831 869 | Crown Gear 86 T                 | 1    |               | D     | ●      |  |  |  |  |  |  |
| 11   | 150.112          | 1295 332 021 | 50 00 289 815 | Flange Gear 83 T                | 1    |               | ABC   | ●      |  |  |  |  |  |  |
| 11   | <b>150.137</b>   | 1297 332 035 | 50 01 821 515 | Flange Gear 86 T                | 1    |               | D     | ●      |  |  |  |  |  |  |
| 12   | 111.129          | 0730 505 055 | 50 00 293 034 | Locking Wire                    | 1    |               | ABC   | ●      |  |  |  |  |  |  |
| 12   | 111.198          | 0730 505 056 | 50 01 821 642 | Locking Wire                    | 1    |               | D     | ●      |  |  |  |  |  |  |
| 13   | 130.244          | 0750 116 166 | 50 00 293 033 | Bearing D.75x105x16             | 1    |               | ABC   | ●      |  |  |  |  |  |  |
| 13   | 130.310          | 0750 116 165 | 50 01 821 522 | Bearing D.80x110x16             | 1    |               | D     | ●      |  |  |  |  |  |  |
| 14   |                  | 1297 332 002 |               | Ring                            | 1    |               | D     | ●      |  |  |  |  |  |  |
| 15   | <b>198.358</b>   | 1296 233 006 | 50 00 289 822 | Synchronizer Cone               | 1    |               |       | ●      |  |  |  |  |  |  |
| 16   | <b>119.085</b>   | 1296 333 022 | 50 00 289 824 | Synchronizer Ring               | 2    | Old Type      |       | ●      |  |  |  |  |  |  |
| 16   | <b>119.172</b>   | 1296 333 045 | 50 01 846 736 | Synchronizer Ring               | 2    | New Type      |       | ●      |  |  |  |  |  |  |
| 17   | <b>157.113</b>   | 1296 333 002 | 50 00 289 823 | Synchronizer Hub                | 1    |               |       | ●      |  |  |  |  |  |  |
| 18   | <b>160.116</b>   | 1240 304 278 | 50 00 255 276 | Pressure Piece                  | 9    |               |       | ●      |  |  |  |  |  |  |
| 19   | <b>156.036</b>   | 0732 040 386 | 50 00 255 277 | Inner Spring De.3x34            | 9    |               |       | ●      |  |  |  |  |  |  |
| 20   | <b>156.037</b>   | 0732 040 385 | 77 01 007 805 | Outer Spring De.6x34            | 9    |               |       | ●      |  |  |  |  |  |  |
| 21   | <b>154.098</b>   | 1296 333 023 | 50 00 289 825 | Sliding Sleeve                  | 1    |               |       | ●      |  |  |  |  |  |  |
| 22   | <b>198.359</b>   | 1295 233 025 | 50 00 289 826 | Synchronizer Cone (36 Spl.)     | 1    |               | ABC   | ●      |  |  |  |  |  |  |
| 22   | <b>198.374</b>   | 1313 233 001 | 50 01 821 639 | Synchronizer Cone (38 Spl.)     | 1    |               | D     | ●      |  |  |  |  |  |  |
| 23   |                  | 1297 333 117 |               | Synchronizer Cone               | 1    | With Retarder | ABC   | ●      |  |  |  |  |  |  |
| 23   |                  | 1297 333 118 |               | Synchronizer Cone               | 1    | With Retarder | D     | ●      |  |  |  |  |  |  |
| 24   | 130.245          | 0750 116 002 | 50 01 858 080 | Bearing D.90x160x30             | 1    |               |       | ●      |  |  |  |  |  |  |
| 25   |                  | 1296 301 067 | 50 00 289 809 | Cover                           | 1    |               |       | ●      |  |  |  |  |  |  |
| 25   | 128.098          | 1315 301 220 | 50 01 831 854 | Cover                           | 1    |               |       | ●      |  |  |  |  |  |  |
| 26   |                  | 0750 111 341 | 50 00 289 673 | Oil Seal 105x130x12             | 1    |               |       | ●      |  |  |  |  |  |  |
| 27   |                  | 1295 238 003 |               | Output Flange                   | 1    | D.165-8 H.    | ABC   | ●      |  |  |  |  |  |  |
| 27   |                  | 1295 338 061 |               | Output Flange                   | 1    | D.180-4 H.    | ABC   | ●      |  |  |  |  |  |  |
| 27   | 197.051          | 1295 338 014 |               | Output Flange                   | 1    | D.180-10 H.   | ABC   | ●      |  |  |  |  |  |  |
| 27   |                  | 1295 338 059 |               | Output Flange                   | 1    | D.180-10 H.   | ABC   | ●      |  |  |  |  |  |  |
| 27   | 197.074          | 1295 338 016 | 50 00 289 819 | Output flange                   | 1    | D.204-4 H.    | ABC   | ●      |  |  |  |  |  |  |
| 27   |                  | 1295 338 028 |               | Output Flange                   | 1    | D.204-4 H.    | ABC   | ●      |  |  |  |  |  |  |

Notes

Date

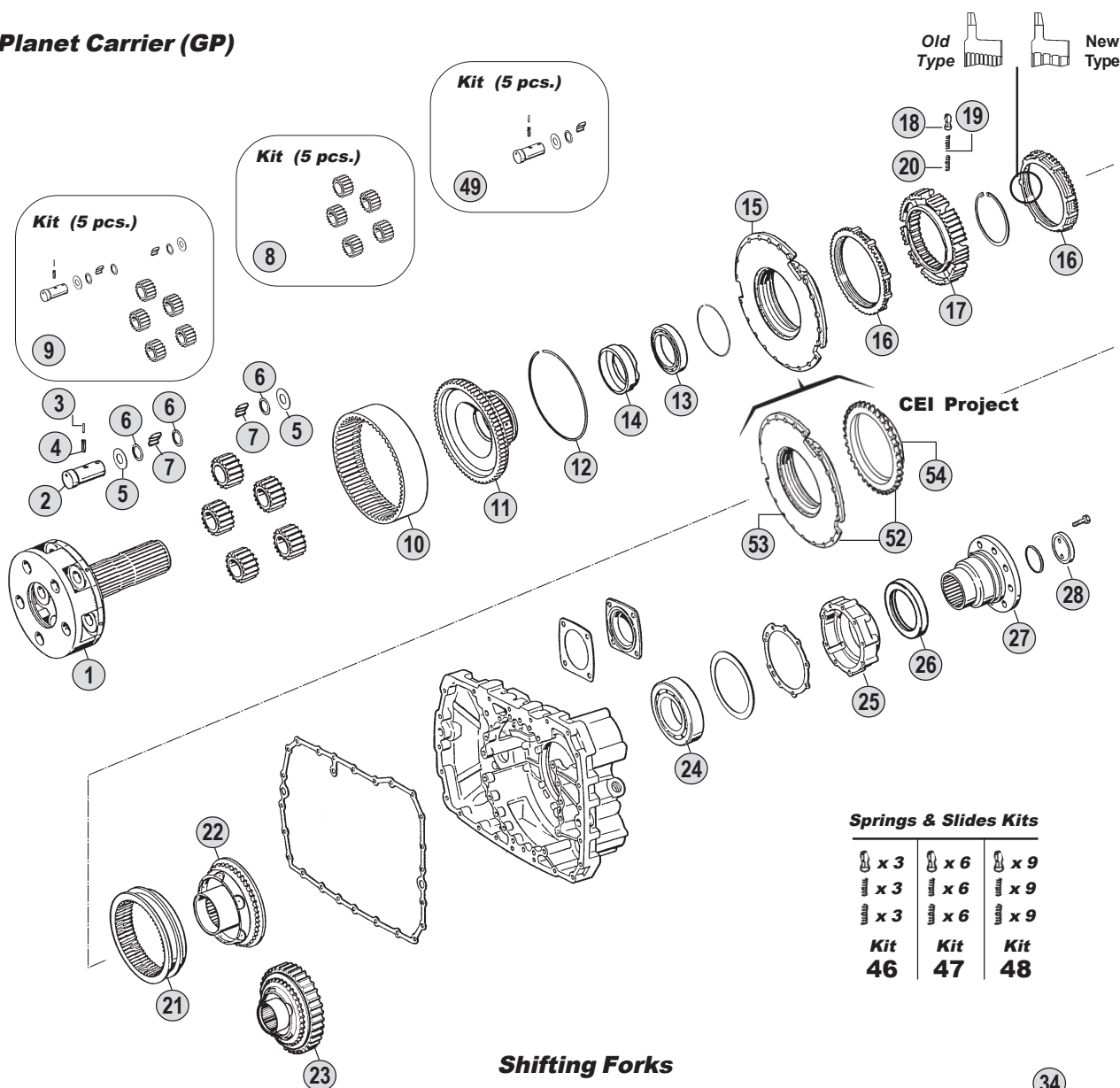
03 / 2006

Table

014 / B

Suitable To : **ZF**

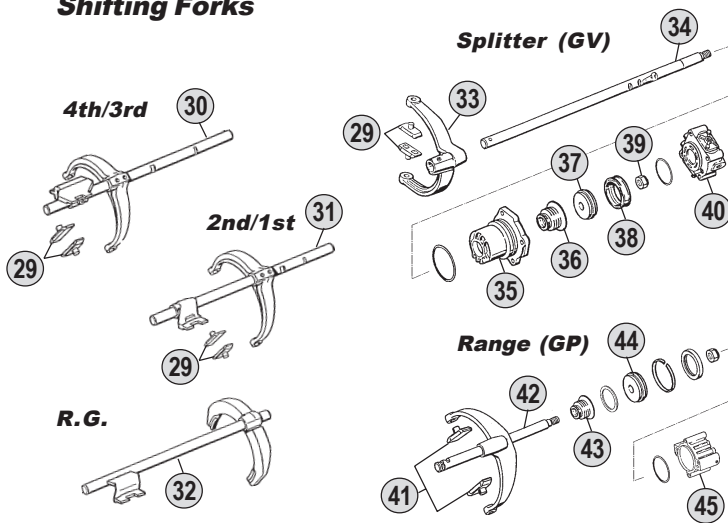
**Planet Carrier (GP)**



**Springs & Slides Kits**

|               |               |               |
|---------------|---------------|---------------|
| x 3           | x 6           | x 9           |
| x 3           | x 6           | x 9           |
| x 3           | x 6           | x 9           |
| <b>Kit 46</b> | <b>Kit 47</b> | <b>Kit 48</b> |

**Shifting Forks**



**Kits**



**Ratios**

16S130 A:10,14-0,72 B: 11,46 - 0,85 C: 13,68 - 1,00 D: 14,29 - 0,82 E:--

All original equipment manufacturers' numbers, symbols, pictures, models and description used in this catalogue are for reference only, and it is not implied that any part listed is the product of these manufactures. Tutti i nostri particolari non sono originali ma con essi intercambiabili. I riferimenti originali, le figure, i modelli sono esposti a semplice titolo indicativo. La nostra produzione riporta il nostro marchio.

| Fig. | O.E.M. Reference |              | Description   | Q.ty                    | Note | Ratio                  |     |   |  |  |            |  |  |
|------|------------------|--------------|---------------|-------------------------|------|------------------------|-----|---|--|--|------------|--|--|
|      | CEI no.          | ZF no.       |               |                         |      |                        |     |   |  |  | R.V.I. no. |  |  |
| 27   |                  | 1297 338 041 |               | Output Flange           | 1    | D.180-4 H.             | D   | ● |  |  |            |  |  |
| 27   |                  | 1297 338 010 |               | Output Flange           | 1    | D.180-10 H.            | D   | ● |  |  |            |  |  |
| 28   | 188.077          | 1295 332 051 | 50 00 289 820 | Stop Washer             | 1    |                        |     | ● |  |  |            |  |  |
| 28   |                  | 1295 332 064 |               | Stop Washer             | 1    | Only with 1295 238 003 |     | ● |  |  |            |  |  |
| 29   | 141.068          | 1295 306 132 | 50 00 821 828 | Bronze Slide            | 2    |                        |     | ● |  |  |            |  |  |
| 30   |                  | 1295 206 219 |               | Fork                    | 1    |                        |     | ● |  |  |            |  |  |
| 30   |                  | 1295 206 212 | 50 00 289 742 | Fork                    | 1    |                        |     | ● |  |  |            |  |  |
| 30   | 198.362          | 1295 206 213 |               | Fork                    | 1    |                        |     | ● |  |  |            |  |  |
| 31   |                  | 1295 206 223 |               | Fork                    | 1    |                        |     | ● |  |  |            |  |  |
| 31   |                  | 1295 206 217 |               | Fork                    | 1    |                        |     | ● |  |  |            |  |  |
| 31   |                  | 1295 206 214 |               | Fork                    | 1    |                        |     | ● |  |  |            |  |  |
| 31   |                  | 1295 206 215 | 50 00 289 741 | Fork                    | 1    |                        |     | ● |  |  |            |  |  |
| 32   |                  | 1295 206 250 |               | Fork                    | 1    |                        |     | ● |  |  |            |  |  |
| 32   |                  | 1295 206 249 |               | Fork                    | 1    |                        |     | ● |  |  |            |  |  |
| 32   | 198.360          | 1295 206 255 |               | Fork                    | 1    |                        |     | ● |  |  |            |  |  |
| 32   |                  | 1295 206 254 | 50 00 289 743 | Fork                    | 1    |                        |     | ● |  |  |            |  |  |
| 33   |                  | 1313 312 002 | 50 00 289 797 | Fork                    | 1    |                        |     | ● |  |  |            |  |  |
| 34   | 149.172          | 1295 312 018 | 50 00 289 796 | Selector rod            | 1    |                        |     | ● |  |  |            |  |  |
| 35   | 132.046          | 1296 312 042 | 50 00 289 800 | Cylinder                | 1    |                        |     | ● |  |  |            |  |  |
| 36   | 139.331          | 0750 112 034 | 50 00 289 801 | Cap Collar D.25x38x14,2 | 1    |                        |     | ● |  |  |            |  |  |
| 37   | 189.421          | 1296 312 053 | 50 01 838 900 | Piston                  | 1    |                        |     | ● |  |  |            |  |  |
| 38   |                  | 0750 112 089 | 50 00 289 803 | Ring 53x63x16,2         | 1    |                        |     | ● |  |  |            |  |  |
| 39   |                  | 0737 006 095 |               | Nut                     | 1    |                        |     | ● |  |  |            |  |  |
| 40   |                  | 0750 132 032 | 50 00 289 804 | Cylinder                | 1    |                        |     | ● |  |  |            |  |  |
| 40   |                  | 0750 132 033 | 50 01 831 943 | Cylinder                | 1    |                        |     | ● |  |  |            |  |  |
| 40   | 280.350          | 1295 212 008 |               | Cylinder                | 1    |                        |     | ● |  |  |            |  |  |
| 41   | 141.085          | 1296 334 004 | 50 00 289 841 | Bronze Slide            | 2    |                        |     | ● |  |  |            |  |  |
| 42   | 149.171          | 1312 234 002 | 50 01 824 950 | Fork Lever              | 1    |                        |     | ● |  |  |            |  |  |
| 43   | 139.331          | 0750 112 034 | 50 00 289 801 | Cap Collar D.25x38x14,2 | 1    |                        |     | ● |  |  |            |  |  |
| 44   | 189.422          | 1296 334 039 | 50 00 289 835 | Piston                  | 1    |                        |     | ● |  |  |            |  |  |
| 45   | 132.047          | 1295 334 075 | 50 01 859 475 | Cylinder                | 1    |                        |     | ● |  |  |            |  |  |
| 46   | 198.339          | 1268 298 938 |               | Spring Slide Set        | 1    |                        |     | ● |  |  |            |  |  |
| 47   | 198.564          | CEI 198564   |               | Spring Slide Set        | 1    |                        |     | ● |  |  |            |  |  |
| 48   | 198.842          | 1295 298 933 |               | Spring Slide Set        | 1    |                        |     | ● |  |  |            |  |  |
| 49   | 198.447          | CEI 198447   |               | Gear Set                | 1    |                        | ABC | ● |  |  |            |  |  |
| 50   | 198.428          | 1295 298 960 | 50 01 849 894 | Oil Seal Ring Kit       | 1    |                        |     | ● |  |  |            |  |  |
| 51   | 198.427          | 1295 298 915 | 50 01 831 982 | Gasket Kit              | 1    |                        |     | ● |  |  |            |  |  |
| 52   | 198.856          | CEI 198856   |               | Synchronizer cone kit   | 1    | Can repl. fig. 15      |     | ● |  |  |            |  |  |
| 53   | 135.128          | CEI 135128   |               | Saddle Plate            | 1    | Use with fig. 54       |     | ● |  |  |            |  |  |
| 54   | 109.174          | 1296 333 050 | 50 01 848 259 | Synchronizer Cone       | 1    | Use with fig. 53       |     | ● |  |  |            |  |  |

Notes

Date

03 / 2006

Table

014 / B

All original equipment manufacturers numbers, symbols, pictures, models and description used in this catalogue are for reference only, and it is not implied that any part listed is the product of these manufactures.  
Tutti i nostri particolari non sono originali ma con essi intercambiabili. I riferimenti originali, le figure, i modelli sono esposti a semplice titolo indicativo. La nostra produzione riporta il nostro marchio.



suitable to :

**Z.F.****EcoSplit II****From 16S150 to 16S220****Application**

|                 | 16S150<br>(1313) | 16S220<br>(1312) |  |  |
|-----------------|------------------|------------------|--|--|
| <b>MERCEDES</b> |                  |                  |  |  |
| <b>MAN</b>      |                  |                  |  |  |
| <b>IVECO</b>    |                  |                  |  |  |
| <b>RVI</b>      |                  |                  |  |  |
| <b>DAF</b>      |                  |                  |  |  |
| <b>VOLVO</b>    |                  |                  |  |  |

**Ratios**

|               | R.10,14-0,72<br><b>A</b> | R.13,80-0,84<br><b>B</b> | R.16,47-1,00<br><b>C</b> |  |  |
|---------------|--------------------------|--------------------------|--------------------------|--|--|
| <b>16S150</b> |                          |                          |                          |  |  |
| <b>16S220</b> |                          |                          |                          |  |  |
|               |                          |                          |                          |  |  |
|               |                          |                          |                          |  |  |

All original equipment manufacturers numbers, symbols, pictures, models and description used in this catalogue are for reference only, and it is not implied that any part listed is the product of these manufacturers. Tutti i nostri particolari non sono originali ma con essi intercambiabili. I riferimenti originali, le figure, i modelli sono esposti a semplice titolo indicativo. La nostra produzione riporta il nostro marchio.

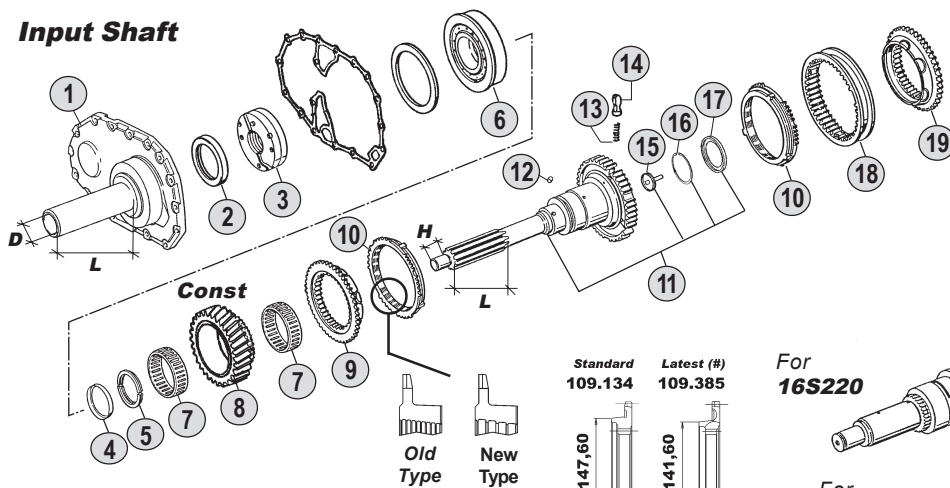
**ECO II**From 16S150  
To 16S220



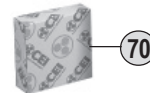
Suitable To : **ZF**

**16S150**

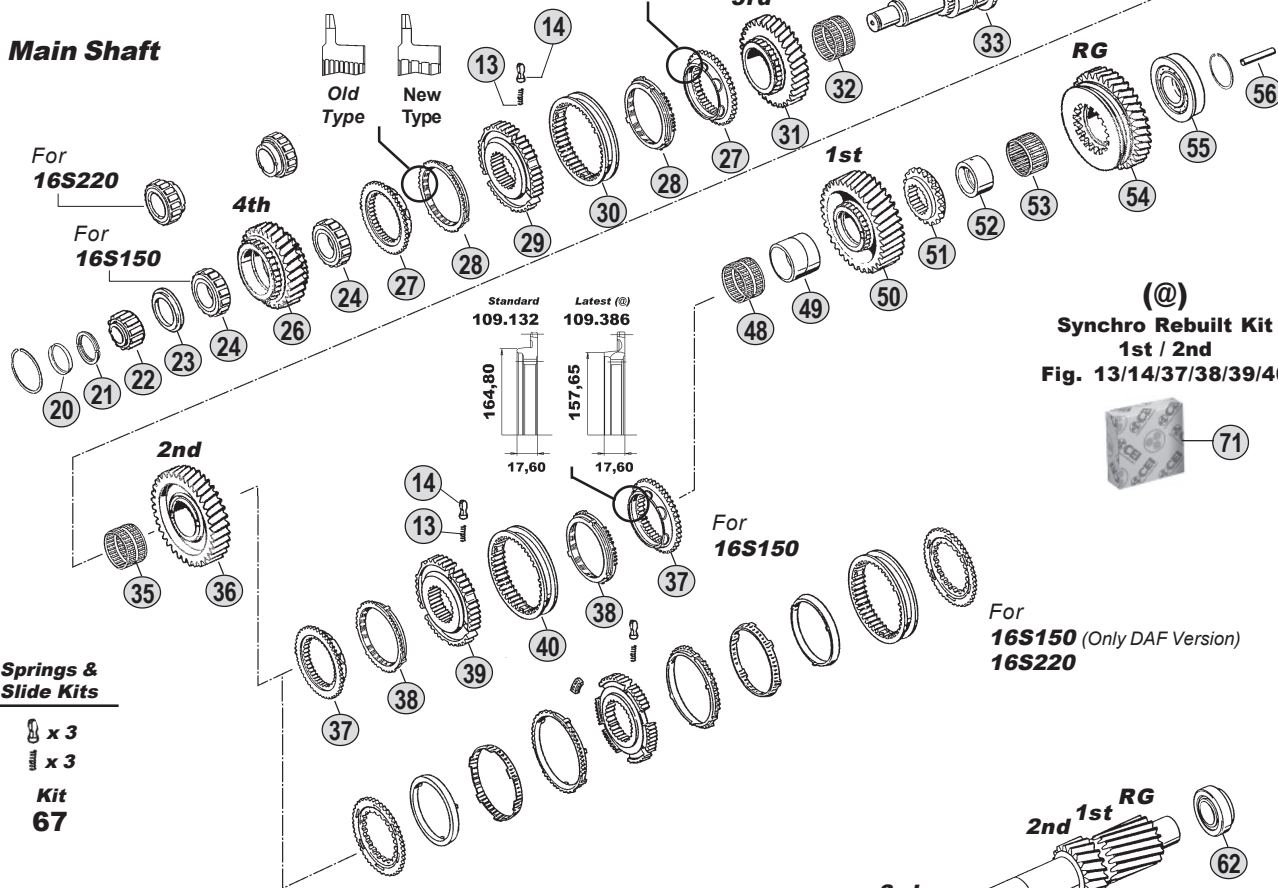
**Input Shaft**



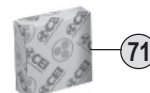
**(#)**  
Synchro Rebuilt Kit  
4th / 3rd  
Fig. 13/14/27/28/29/30



**Main Shaft**



**(@)**  
Synchro Rebuilt Kit  
1st / 2nd  
Fig. 13/14/37/38/39/40



**Springs & Slide Kits**

⌘ x 3  
⌘ x 3  
**Kit 67**

**Kits**

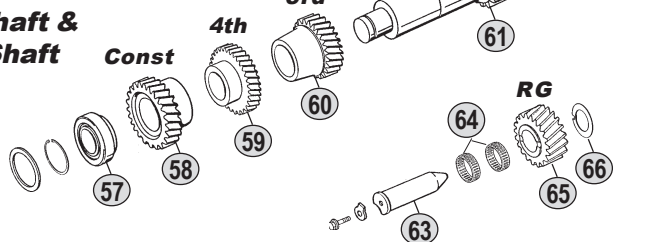


**Gasket Kit 69**



**Oil Seal Kit 68**

**Countershaft & Reverse Shaft**



For  
**16S150 (Only DAF Version)**  
**16S220**

**Ratios**

**16S150** A :-- B : 13,80 - 0,84 C : 16,47 - 1,00

All original equipment manufacturers' numbers, symbols, pictures, models and description used in this catalogue are for reference only, and it is not implied that any part listed is the product of these manufactures. Tutti i nostri particolari non sono originali ma con essi intercambiabili. I riferimenti originali, le figure, i modelli sono esposti a semplice titolo indicativo. La nostra produzione riporta il nostro marchio.

| Fig. | CEI no.        | O.E.M. Reference |               | Description             | Q.ty | Note       | Ratio |   |  |  |  |  |  |
|------|----------------|------------------|---------------|-------------------------|------|------------|-------|---|--|--|--|--|--|
|      |                | ZF no.           | R.V.I. no.    |                         |      |            |       |   |  |  |  |  |  |
| 1    |                | 1313 302 048     | 50 01 831 786 | Front Cover             | 1    | L=153-D=70 | ●     |   |  |  |  |  |  |
| 2    |                | 0734 310 386     | 50 01 847 325 | Oil Seal 55x75x8        | 1    |            | ●     |   |  |  |  |  |  |
| 3    | <b>280.348</b> | 1295 202 041     | 50 01 831 784 | Oil Pump                | 1    |            | ●     |   |  |  |  |  |  |
| 4    | 169.754        | 0730 061 816     | 50 01 821 499 | Securing Ring           | 1    |            | ●     |   |  |  |  |  |  |
| 5    |                | 0730 106 168     | 50 01 831 747 | Split Ring              | 1    | S.4,30 mm  | ●     |   |  |  |  |  |  |
| 5    |                | 0730 106 158     |               | Split Ring              | 1    | S.3,80 mm  | ●     |   |  |  |  |  |  |
| 6    | <b>130.306</b> | 0750 117 431     | 50 01 831 668 | Bearing D.75x150x30,50  | 1    |            | ●     |   |  |  |  |  |  |
| 7    | 137.148        | 0750 115 310     | 50 01 831 791 | Needle Cage D.93x101x25 | 1    |            | ●     |   |  |  |  |  |  |
| 8    | <b>145.557</b> | 1313 302 036     | 50 01 831 790 | Constant Gear 34 T      | 1    |            | B     | ● |  |  |  |  |  |
| 8    | 145.525        | 1313 302 035     |               | Constant Gear 30 T      | 1    |            | C     | ● |  |  |  |  |  |
| 9    | <b>109.134</b> | 1312 304 027     | 50 01 831 793 | Synchronizer Cone       | 1    |            |       | ● |  |  |  |  |  |
| 10   | <b>119.119</b> | 1297 304 402     | 50 01 831 795 | Synchronizer Ring       | 2    | Old Type   |       | ● |  |  |  |  |  |
| 10   | <b>119.167</b> | 1297 304 484     | 50 01 845 809 | Synchronizer Ring       | 2    | New Type   |       | ● |  |  |  |  |  |
| 11   | 102.241        | 1313 202 015     | 50 01 831 659 | Input shaft             | 1    |            |       | ● |  |  |  |  |  |
| 12   |                | 0635 470 012     | 07 75 150 400 | Pin                     | 1    |            |       | ● |  |  |  |  |  |
| 13   | <b>156.140</b> | 0732 040 409     | 50 00 242 857 | Spring D.6,50x23,50     | 3    |            |       | ● |  |  |  |  |  |
| 14   | <b>160.189</b> | 1297 304 436     | 50 00 289 398 | Pressure Piece          | 3    |            |       | ● |  |  |  |  |  |
| 15   |                | 1312 302 095     | 50 01 831 660 | Tube                    | 1    |            |       | ● |  |  |  |  |  |
| 16   | <b>189.631</b> | 0630 502 027     |               | Ring                    | 1    |            |       | ● |  |  |  |  |  |
| 17   | <b>189.632</b> | 0501 320 435     | 50 01 859 927 | Diaphragm               | 1    |            |       | ● |  |  |  |  |  |
| 18   | <b>154.135</b> | 1310 304 202     | 50 01 848 744 | Sliding Sleeve          | 1    |            |       | ● |  |  |  |  |  |
| 19   | <b>109.133</b> | 1312 304 056     | 50 01 831 792 | Synchronizer Cone       | 1    |            |       | ● |  |  |  |  |  |
| 20   |                | 0730 062 781     | 50 01 831 825 | Ring                    | 1    |            |       | ● |  |  |  |  |  |
| 21   |                | 0730 107 023     | 50 01 850 728 | Split Ring              | 1    | S.5,00 mm  |       | ● |  |  |  |  |  |
| 21   |                | 0730 107 019     | 50 01 831 824 | Split Ring              | 1    | S.4,60 mm  |       | ● |  |  |  |  |  |
| 22   | <b>137.150</b> | 0750 117 232     | 50 01 823 861 | Roller Cage D.42x40,30  | 1    |            |       | ● |  |  |  |  |  |
| 23   |                | 1315 304 051     | 50 01 831 820 | Ring                    | 1    | S.8,30 mm  |       | ● |  |  |  |  |  |
| 24   | <b>137.156</b> | 0750 118 198     | 50 01 831 817 | Roller Cage D.67x101x32 | 1    |            |       | ● |  |  |  |  |  |
| 26   | <b>146.476</b> | 1313 304 005     | 50 01 831 819 | Gear 4th Speed 30 T     | 1    |            | B     | ● |  |  |  |  |  |
| 26   | 146.442        | 1296 304 131     |               | Gear 4th Speed 34 T     | 1    |            | C     | ● |  |  |  |  |  |
| 27   | <b>109.134</b> | 1312 304 027     | 50 01 831 793 | Synchronizer Cone       | 2    |            |       | ● |  |  |  |  |  |
| 27   | <b>109.385</b> | 1316 304 159     |               | Synchronizer Cone       | 2    |            | (#)   | ● |  |  |  |  |  |
| 28   | <b>119.119</b> | 1297 304 402     | 50 01 831 795 | Synchronizer Ring       | 2    | Old Type   |       | ● |  |  |  |  |  |
| 28   | <b>119.167</b> | 1297 304 484     | 50 01 845 809 | Synchronizer Ring       | 2    | New Type   |       | ● |  |  |  |  |  |
| 28   | <b>119.217</b> | 1316 304 149     |               | Synchronizer Ring       | 2    |            | (#)   | ● |  |  |  |  |  |
| 29   | <b>157.180</b> | 1312 304 052     | 50 01 831 818 | Synchronizer Hub        | 1    |            |       | ● |  |  |  |  |  |
| 29   | <b>157.227</b> | 1316 304 162     |               | Synchronizer Hub        | 1    |            | (#)   | ● |  |  |  |  |  |
| 30   | <b>154.135</b> | 1310 304 202     | 50 01 848 744 | Sliding Sleeve          | 1    |            |       | ● |  |  |  |  |  |
| 30   | <b>154.357</b> | 1315 304 135     |               | Sliding Sleeve          | 1    |            | (#)   | ● |  |  |  |  |  |
| 31   | <b>145.496</b> | 1313 304 080     | 50 01 831 816 | Gear 3rd Speed 32 T     | 1    |            | B     | ● |  |  |  |  |  |
| 31   | 145.526        | 1313 304 081     |               | Gear 3rd Speed 34 T     | 1    |            | C     | ● |  |  |  |  |  |
| 32   | <b>137.137</b> | 0735 321 087     | 50 01 831 801 | Needle Cage D.92x100x53 | 1    |            |       | ● |  |  |  |  |  |
| 33   | <b>103.135</b> | 1315 304 130     | 50 00 294 040 | Main Shaft              | 1    |            |       | ● |  |  |  |  |  |
| 35   | <b>137.137</b> | 0735 321 087     | 50 01 831 801 | Needle Cage D.92x100x53 | 1    |            |       | ● |  |  |  |  |  |
| 36   | 145.502        | 1313 304 078     | 50 01 831 802 | Gear 2nd Speed 37 T     | 1    |            | B     | ● |  |  |  |  |  |

## Notes

- (#) Latest Synchro generation. DO NOT MIX the two different version. To update the previous one use the synchro rebuilt kit fig. 70  
 (Ⓜ) Latest Synchro generation. DO NOT MIX the two different version. To update the previous one use the synchro rebuilt kit fig. 71

## Date

03 / 2006

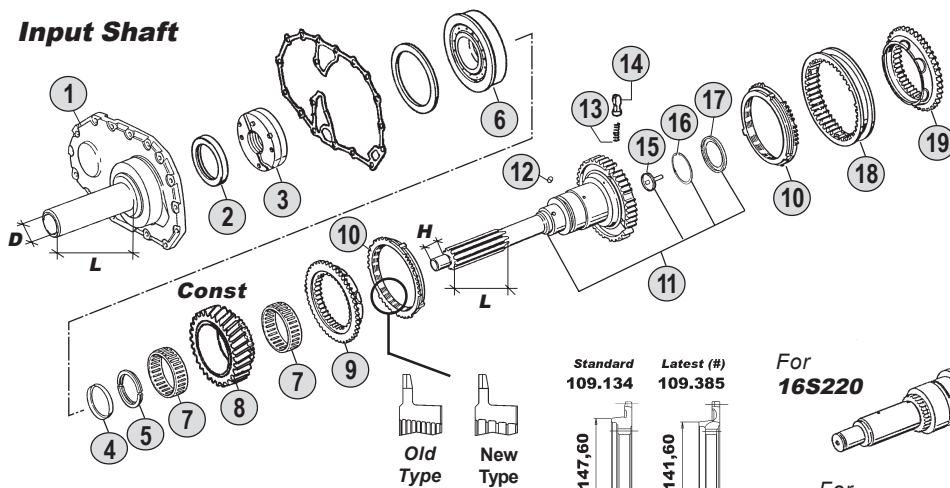
## Table

015 / A

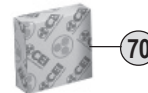
Suitable To : **ZF**

**16S150**

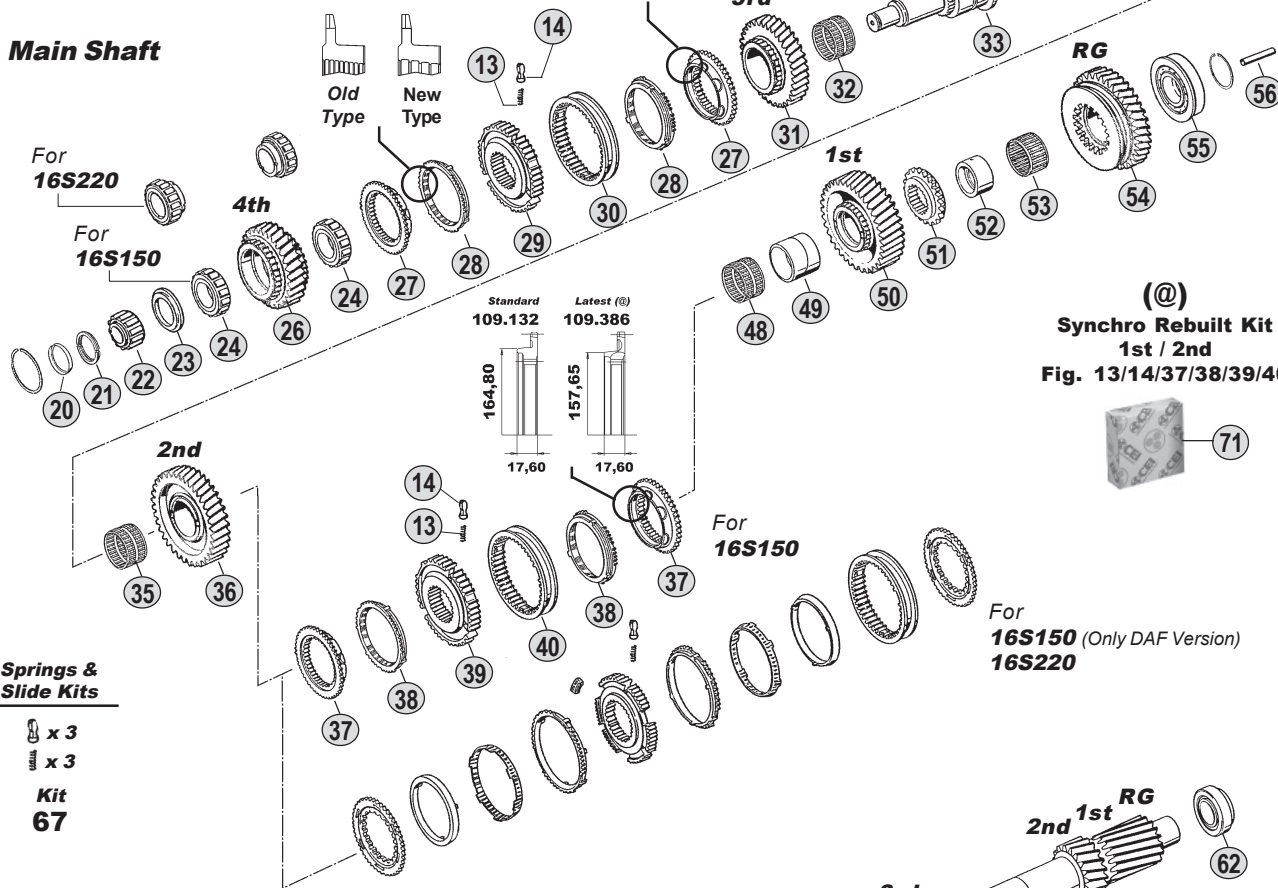
**Input Shaft**



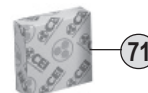
(#)  
**Synchro Rebuilt Kit**  
4th / 3rd  
Fig. 13/14/27/28/29/30



**Main Shaft**



(@)  
**Synchro Rebuilt Kit**  
1st / 2nd  
Fig. 13/14/37/38/39/40



For  
**16S150 (Only DAF Version)**  
**16S220**

**Springs & Slide Kits**

- x 3
- x 3
- Kit 67**

**Kits**

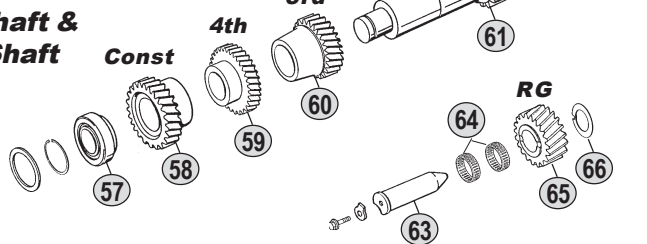


**Gasket Kit 69**



**Oil Seal Kit 68**

**Countershaft & Reverse Shaft**



**Ratios**

16S150 A:-- B: 13,80 - 0,84 C: 16,47 - 1,00

All original equipment manufacturers' numbers, symbols, pictures, models and description used in this catalogue are for reference only, and it is not implied that any part listed is the product of these manufactures. Tutti i nostri particolari non sono originali ma con essi intercambiabili. I riferimenti originali, le figure, i modelli sono esposti a semplice titolo indicativo. La nostra produzione riporta il nostro marchio.

| Fig. | O.E.M. Reference |              | Description   | Q.ty                      | Note | Ratio    |   |  |  |  |  |  |
|------|------------------|--------------|---------------|---------------------------|------|----------|---|--|--|--|--|--|
|      | CEI no.          | ZF no.       |               |                           |      |          |   |  |  |  |  |  |
| 36   | 145.527          | 1313 304 077 |               | Gear 2nd Speed 38 T       | 1    | C        | ● |  |  |  |  |  |
| 37   | 109.132          | 1313 304 009 | 50 01 831 807 | Synchronizer Cone         | 2    |          | ● |  |  |  |  |  |
| 37   | 109.386          | 1316 304 156 |               | Synchronizer Cone         | 2    | (@)      | ● |  |  |  |  |  |
| 38   | 119.122          | 1297 304 401 | 50 01 831 806 | Synchronizer Ring         | 2    | Old Type | ● |  |  |  |  |  |
| 38   | 119.166          | 1297 304 485 | 50 01 853 567 | Synchronizer Ring         | 2    | New Type | ● |  |  |  |  |  |
| 38   | 119.218          | 1316 304 150 |               | Synchronizer Ring         | 2    | (@)      | ● |  |  |  |  |  |
| 39   | 157.189          | 1313 304 008 | 50 01 831 803 | Synchronizer Hub          | 1    |          | ● |  |  |  |  |  |
| 39   | 157.228          | 1316 304 163 |               | Synchronizer Hub          | 1    | (@)      | ● |  |  |  |  |  |
| 40   | 154.202          | 1316 304 078 | 50 01 854 408 | Sliding Sleeve            | 1    |          | ● |  |  |  |  |  |
| 40   | 154.358          | 1315 304 136 |               | Sliding Sleeve            | 1    | (@)      | ● |  |  |  |  |  |
| 48   | 137.160          | 0750 115 325 | 50 01 831 809 | Needle Cage D.96x104x55   | 1    |          | ● |  |  |  |  |  |
| 49   | 117.294          | 1313 304 038 | 50 01 831 808 | Bush                      | 1    |          | ● |  |  |  |  |  |
| 50   | 145.508          | 1313 304 039 | 50 01 831 810 | Gear 1st Speed 44 T       | 1    | B        | ● |  |  |  |  |  |
| 50   | 145.528          | 1313 304 070 |               | Gear 1st Speed            | 1    | C        | ● |  |  |  |  |  |
| 51   | 109.177          | 1313 304 037 | 50 01 831 811 | Engaging Ring             | 1    |          | ● |  |  |  |  |  |
| 52   | 117.293          | 1315 304 132 | 50 01 851 029 | Bush                      | 1    |          | ● |  |  |  |  |  |
| 53   | 137.162          | 0750 115 324 | 50 01 831 813 | Roller Cage D.90x98x41    | 1    |          | ● |  |  |  |  |  |
| 54   | 147.137          | 1313 304 042 | 50 01 831 815 | Reverse Gear 39 T         | 1    | B        | ● |  |  |  |  |  |
| 54   | 147.147          | 1313 304 041 |               | Reverse Gear 38 T         | 1    | C        | ● |  |  |  |  |  |
| 55   | 130.309          | 0750 117 677 | 50 01 842 929 | Bearing D.80x130x36       | 1    |          | ● |  |  |  |  |  |
| 56   | 188.209          | 1312 304 150 | 50 01 823 850 | Oil Tube                  | 1    |          | ● |  |  |  |  |  |
| 57   | 130.242          | 0750 117 010 | 50 00 808 760 | Bearing D.50,80x100x35    | 1    |          | ● |  |  |  |  |  |
| 58   | 146.475          | 1313 303 004 | 50 01 831 798 | Constant Gear 37 T        | 1    | B        | ● |  |  |  |  |  |
| 58   | 146.443          | 1296 303 037 |               | Constant Gear 39 T        | 1    | C        | ● |  |  |  |  |  |
| 59   | 146.414          | 1313 303 003 | 50 01 831 799 | Gear 4th Speed 39 T       | 1    | B        | ● |  |  |  |  |  |
| 59   | 146.444          | 1296 303 036 |               | Gear 4th Speed 37 T       | 1    | C        | ● |  |  |  |  |  |
| 60   | 146.420          | 1313 303 002 | 50 01 831 797 | Gear 3rd Speed 28 T       | 1    | B        | ● |  |  |  |  |  |
| 60   | 146.445          | 1296 303 035 |               | Gear 3rd Speed 26 T       | 1    | C        | ● |  |  |  |  |  |
| 61   | 105.106          | 1313 303 010 | 50 01 831 805 | Countershaft 19-23 T      | 1    | B        | ● |  |  |  |  |  |
| 61   | 105.113          | 1313 303 011 |               | Countershaft 17-20 T      | 1    | C        | ● |  |  |  |  |  |
| 62   | 130.307          | 0750 117 011 | 50 01 831 796 | Bearing D.50,8x104,7x39,6 | 1    |          | ● |  |  |  |  |  |
| 63   | 107.108          | 1295 305 056 | 50 00 289 670 | Reverse Gear Pin          | 1    |          | ● |  |  |  |  |  |
| 64   | 137.007          | 0750 115 011 | 50 00 287 806 | Needle Cage D.45x53x21    | 2    |          | ● |  |  |  |  |  |
| 65   | 147.132          | 1313 305 002 | 50 01 831 658 | Reverse Gear 21 T         | 1    | B        | ● |  |  |  |  |  |
| 65   | 147.148          | 1313 305 001 |               | Reverse Gear 24 T         | 1    | C        | ● |  |  |  |  |  |
| 66   | 169.234          | 0730 150 064 | 50 00 240 306 | Thrust Washer             | 1    |          | ● |  |  |  |  |  |
| 67   | 198.843          | CEI 198843   |               | Spring Slide Set          | 1    |          | ● |  |  |  |  |  |
| 68   |                  | 1312 298 902 | 50 01 831 979 | Oil Seal Kit              | 1    |          | ● |  |  |  |  |  |
| 69   | 198.427          | 1295 298 915 | 50 01 831 982 | Gasket Kit                | 1    |          | ● |  |  |  |  |  |
| 70   | 298.021          | 1315 298 061 |               | Synchro kit 4th/3rd Speed | 1    | (#)      | ● |  |  |  |  |  |
| 71   | 298.020          | 1315 298 060 |               | Synchro kit 1st/2nd Speed | 1    | (@)      | ● |  |  |  |  |  |

## Notes

- (#) Latest Synchro generation. DO NOT MIX the two different version. To update the previous one use the synchro rebuilt kit fig. 70  
 (@) Latest Synchro generation. DO NOT MIX the two different version. To update the previous one use the synchro rebuilt kit fig. 71

## Date

03 / 2006

## Table

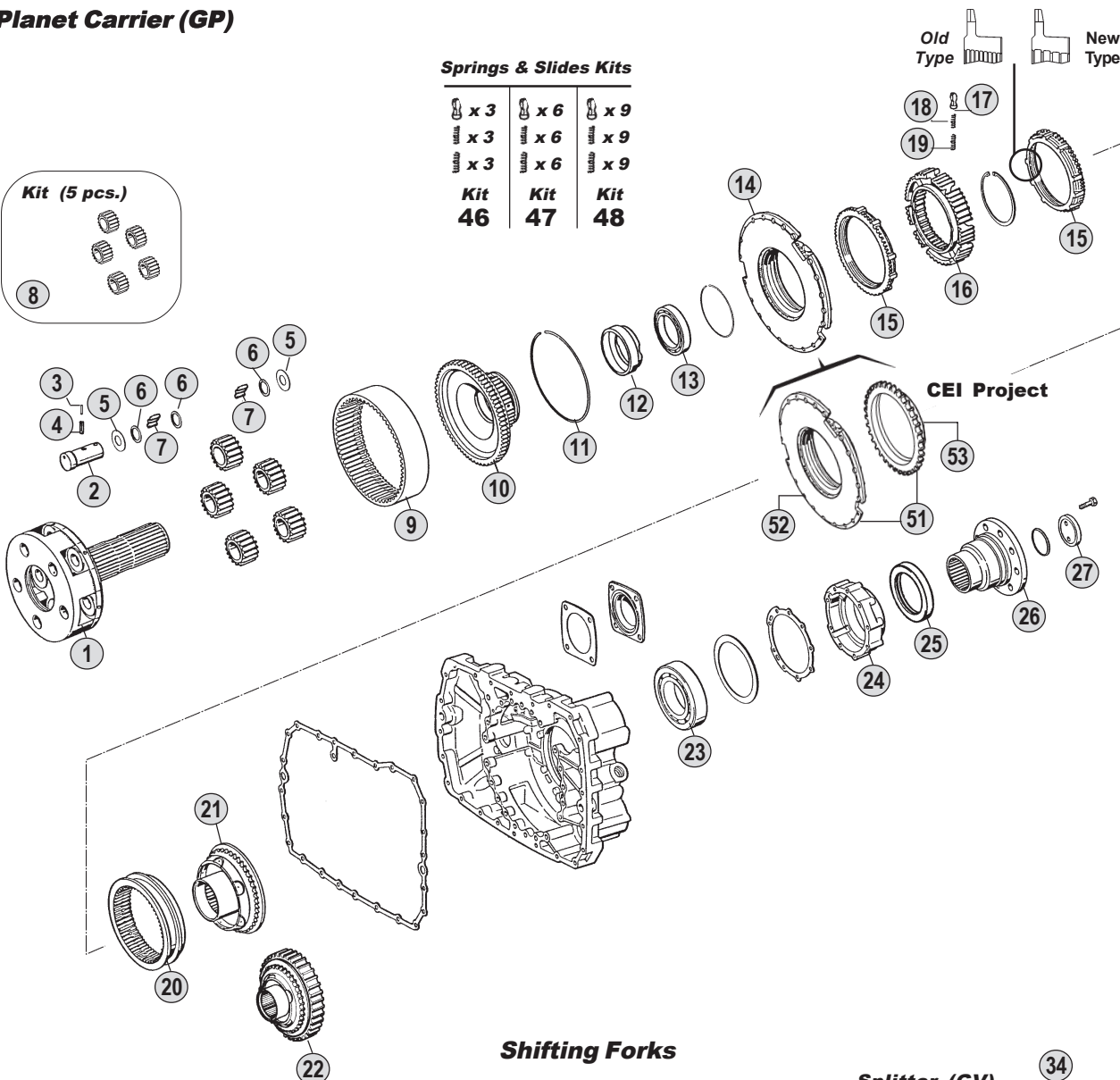
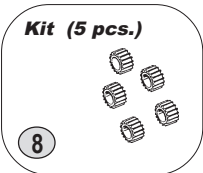
015 / A

Suitable To : **ZF**

**Planet Carrier (GP)**

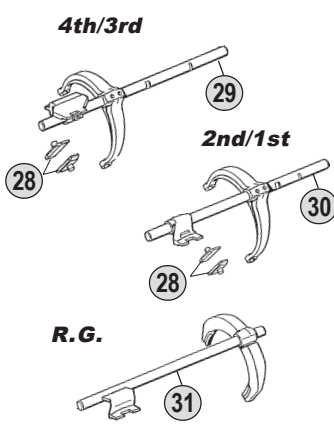
**Springs & Slides Kits**

|               |               |               |
|---------------|---------------|---------------|
| x 3           | x 6           | x 9           |
| x 3           | x 6           | x 9           |
| x 3           | x 6           | x 9           |
| <b>Kit 46</b> | <b>Kit 47</b> | <b>Kit 48</b> |

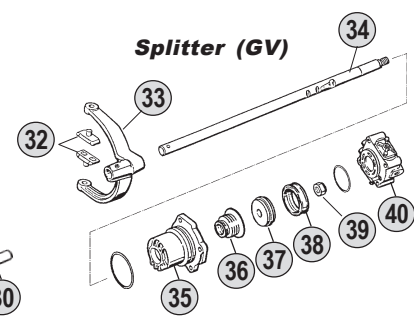


CEI Project

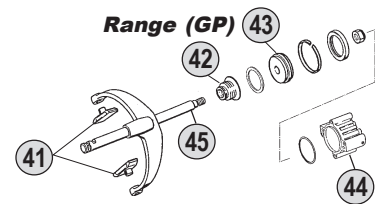
**Shifting Forks**



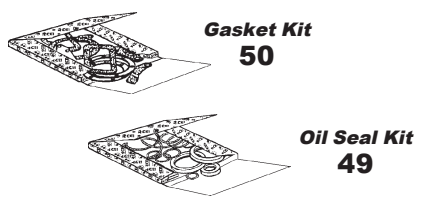
**Splitter (GV)**



**Range (GP)**



**Kits**



**Ratios**

16S150 A:-- B: 13,80 - 0,84 C: 16,47 - 1,00

All original equipment manufacturers' numbers, symbols, pictures, models and description used in this catalogue are for reference only, and it is not implied that any part listed is the product of these manufactures. Tutti i nostri particolari non sono originali ma con essi intercambiabili. I riferimenti originali, le figure, i modelli sono esposti a semplice titolo indicativo. La nostra produzione riporta il nostro marchio.



| Fig. | O.E.M. Reference |              |               | Description                 | Q.ty | Note          | Ratio |  |  |  |  |
|------|------------------|--------------|---------------|-----------------------------|------|---------------|-------|--|--|--|--|
|      | CEI no.          | ZF no.       | R.V.I. no.    |                             |      |               |       |  |  |  |  |
| 1    | 190.393          | 1296 232 002 | 50 01 831 856 | Planetary Carrier           | 1    |               | ●     |  |  |  |  |
| 2    | 107.164          | 1296 332 005 | 50 01 831 862 | Planet Shaft                | 5    |               | ●     |  |  |  |  |
| 3    | 160.195          | 0631 329 167 | 50 01 831 867 | Lock Pin D.3x26             | 5    |               | ●     |  |  |  |  |
| 4    | 160.194          | 0631 329 051 | 77 01 014 081 | Lock Pin D.5x26             | 5    |               | ●     |  |  |  |  |
| 5    | 169.759          | 0501 308 981 | 50 01 831 859 | Thrust Washer               | 10   |               | ●     |  |  |  |  |
| 6    | 169.744          | 0730 107 168 | 50 01 831 858 | Spacer Ring                 | 15   |               | ●     |  |  |  |  |
| 7    | 171.046          | 0735 470 164 | 50 01 831 861 | Roller D.10x15              | 140  |               | ●     |  |  |  |  |
| 8    | 198.800          | 1313 232 003 | 50 01 831 857 | Planetary Gear Set (5 pcs)  | 1    |               | ●     |  |  |  |  |
| 9    | 123.208          | 1295 332 086 | 50 01 831 869 | Crown Gear 86 T             | 1    |               | ●     |  |  |  |  |
| 10   | 150.133          | 1313 332 020 | 50 01 831 868 | Flange Gear 86 T            | 1    |               | ●     |  |  |  |  |
| 11   | 111.198          | 0730 505 056 | 50 01 821 642 | Locking Wire                | 1    |               | ●     |  |  |  |  |
| 12   |                  | 1297 332 002 |               | Ring                        | 1    |               | ●     |  |  |  |  |
| 13   | 130.310          | 0750 116 165 | 50 01 821 522 | Bearing D.80x110x16         | 1    |               | ●     |  |  |  |  |
| 14   | 198.358          | 1296 233 006 | 50 00 289 822 | Synchronizer Cone           | 1    |               | ●     |  |  |  |  |
| 15   | 119.085          | 1296 333 022 | 50 00 289 824 | Synchronizer Ring           | 2    | Old Type      | ●     |  |  |  |  |
| 15   | 119.172          | 1296 333 045 | 50 01 846 736 | Synchronizer Ring           | 2    | New Type      | ●     |  |  |  |  |
| 16   | 157.182          | 1313 333 001 | 50 01 831 875 | Synchronizer Hub            | 1    |               | ●     |  |  |  |  |
| 17   | 160.116          | 1240 304 278 | 50 00 255 276 | Pressure Piece              | 9    |               | ●     |  |  |  |  |
| 18   | 156.036          | 0732 040 386 | 50 00 255 277 | Inner Spring De.3x34        | 9    |               | ●     |  |  |  |  |
| 19   | 156.037          | 0732 040 385 | 77 01 007 805 | Outer Spring De.6x34        | 9    |               | ●     |  |  |  |  |
| 20   | 154.098          | 1296 333 023 | 50 00 289 825 | Sliding Sleeve              | 1    |               | ●     |  |  |  |  |
| 21   | 198.374          | 1313 233 001 | 50 01 821 639 | Synchronizer Cone (38 Spl.) | 1    |               | ●     |  |  |  |  |
| 22   |                  | 1297 333 118 |               | Synchronizer Cone           | 1    | With Retarder | ●     |  |  |  |  |
| 23   | 130.245          | 0750 116 002 | 50 01 858 080 | Bearing D.90x160x30         | 1    |               | ●     |  |  |  |  |
| 24   | 128.098          | 1315 301 220 | 50 01 831 854 | Cover                       | 1    |               | ●     |  |  |  |  |
| 25   |                  | 0750 111 341 | 50 00 289 673 | Oil Seal 105x130x12         | 1    |               | ●     |  |  |  |  |
| 26   |                  | 1313 338 002 |               | Output Flange               | 1    | D.180-4 H.    | ●     |  |  |  |  |
| 26   |                  | 1313 338 011 | 50 01 831 874 | Output Flange               | 1    | D.204-4 H.    | ●     |  |  |  |  |
| 27   | 188.077          | 1295 332 051 | 50 00 289 820 | Stop Washer                 | 1    |               | ●     |  |  |  |  |
| 28   | 141.163          | 1297 306 120 | 50 01 831 828 | Slide                       | 2    |               | ●     |  |  |  |  |
| 29   |                  | 1313 206 002 | 50 01 831 829 | Fork                        | 1    |               | ●     |  |  |  |  |
| 29   |                  | 1313 206 005 |               | Fork                        | 1    |               | ●     |  |  |  |  |
| 29   |                  | 1313 206 011 |               | Fork                        | 1    | (4)           | ●     |  |  |  |  |
| 30   |                  | 1313 206 001 | 50 01 831 827 | Fork                        | 1    |               | ●     |  |  |  |  |
| 30   |                  | 1313 206 004 |               | Fork                        | 1    |               | ●     |  |  |  |  |
| 30   |                  | 1313 206 031 |               | Fork                        | 1    | (4)           | ●     |  |  |  |  |
| 31   |                  | 1313 206 015 | 50 01 831 830 | Fork                        | 1    |               | ●     |  |  |  |  |
| 31   |                  | 1313 206 016 |               | Fork                        | 1    |               | ●     |  |  |  |  |
| 31   |                  | 1313 206 026 |               | Fork                        | 1    | (4)           | ●     |  |  |  |  |
| 32   | 141.163          | 1297 306 120 | 50 01 831 828 | Slide                       | 2    |               | ●     |  |  |  |  |
| 33   |                  | 1313 312 002 | 50 00 289 797 | Fork                        | 1    |               | ●     |  |  |  |  |
| 34   |                  | 1312 312 002 | 50 01 831 840 | Rod                         | 1    |               | ●     |  |  |  |  |
| 35   | 132.046          | 1296 312 042 | 50 00 289 800 | Cylinder                    | 1    |               | ●     |  |  |  |  |
| 36   | 139.331          | 0750 112 034 | 50 00 289 801 | Cap Collar D.25x38x14,2     | 1    |               | ●     |  |  |  |  |
| 37   |                  | 1312 312 003 | 50 01 831 942 | Piston                      | 1    |               | ●     |  |  |  |  |

## Notes

- (4) Only Pneumatic Version  
 (5) To be coupled Together  
 (6) To be coupled Together

## Date

03 / 2006

## Table

015 / B

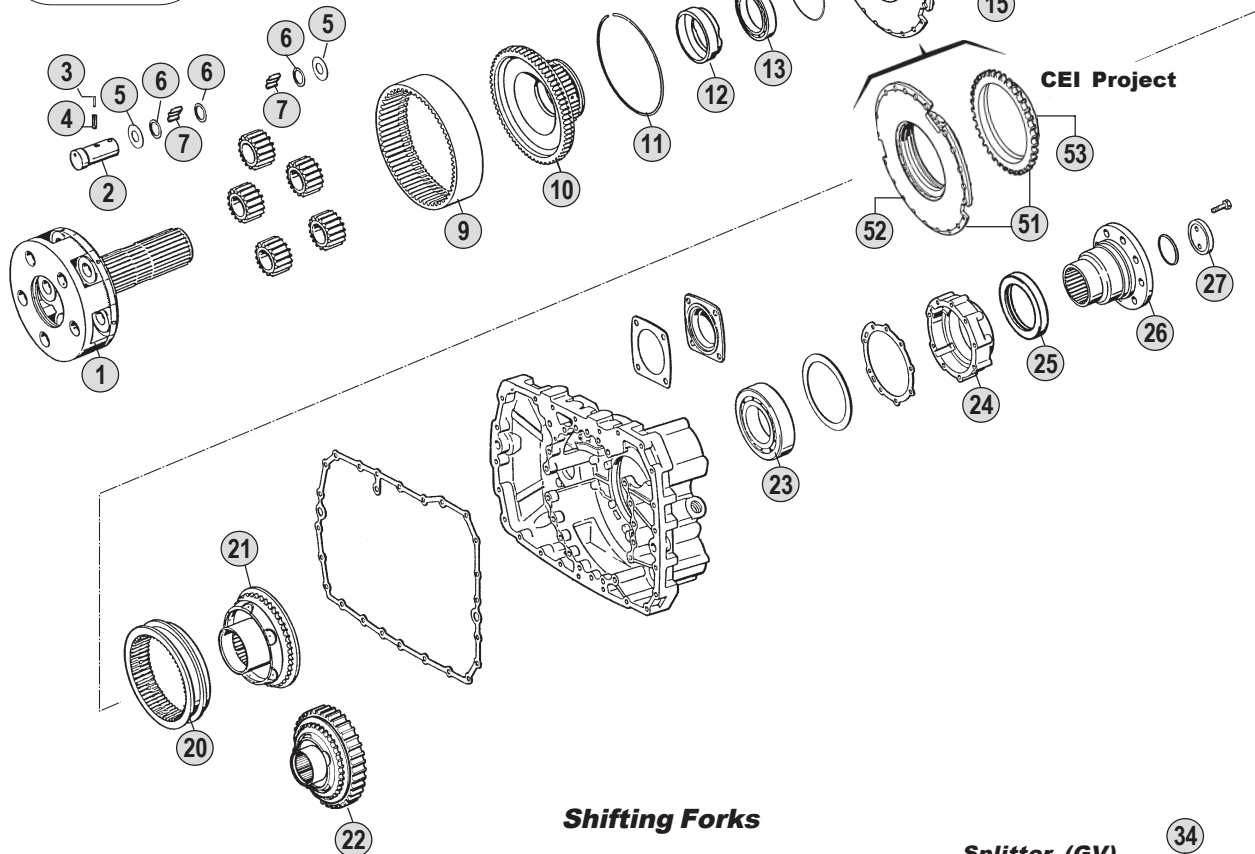
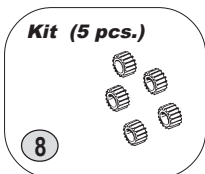
Suitable To : **ZF**

**Planet Carrier (GP)**

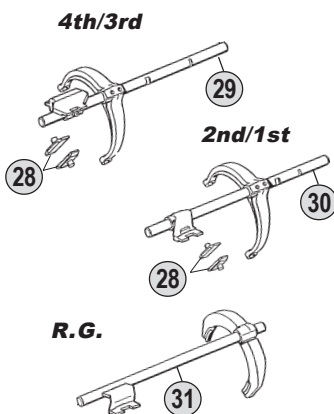
**Springs & Slides Kits**

|               |               |               |
|---------------|---------------|---------------|
| x 3           | x 6           | x 9           |
| x 3           | x 6           | x 9           |
| x 3           | x 6           | x 9           |
| <b>Kit 46</b> | <b>Kit 47</b> | <b>Kit 48</b> |

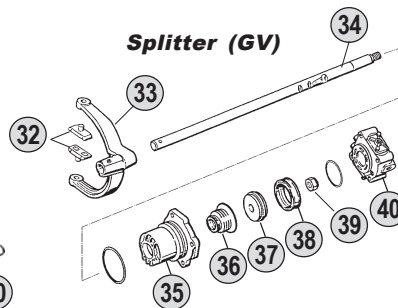
Old Type New Type



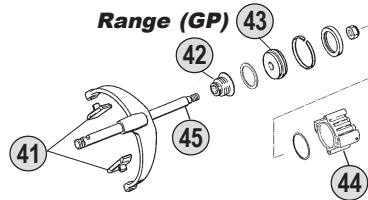
**Shifting Forks**



**Splitter (GV)**



**Range (GP)**



**Kits**



**Gasket Kit 50**



**Oil Seal Kit 49**

**Ratios**

16S150 A:-- B: 13,80 - 0,84 C: 16,47 - 1,00

All original equipment manufacturers' numbers, symbols, pictures, models and description used in this catalogue are for reference only, and it is not implied that any part listed is the product of these manufactures. Tutti i nostri particolari non sono originali ma con essi intercambiabili. I riferimenti originali, le figure, i modelli sono esposti a semplice titolo indicativo. La nostra produzione riporta il nostro marchio.

| Fig. | O.E.M. Reference |              | Description   | Q.ty                    | Note | Ratio             |            |  |  |  |  |  |  |
|------|------------------|--------------|---------------|-------------------------|------|-------------------|------------|--|--|--|--|--|--|
|      | CEI no.          | ZF no.       |               |                         |      |                   | R.V.I. no. |  |  |  |  |  |  |
| 37   |                  | 1312 312 015 |               | Piston                  | 1    | (4)               | ●          |  |  |  |  |  |  |
| 38   |                  | 0750 112 089 | 50 00 289 803 | Ring 53x63x16,2         | 1    |                   | ●          |  |  |  |  |  |  |
| 38   |                  | 0750 112 048 |               | Ring 53x63x5            | 1    | (4)               | ●          |  |  |  |  |  |  |
| 39   |                  | 0737 006 095 |               | Nut                     | 1    |                   | ●          |  |  |  |  |  |  |
| 40   |                  | 0750 132 032 | 50 00 289 804 | Cylinder                | 1    |                   | ●          |  |  |  |  |  |  |
| 40   |                  | 0750 132 033 | 50 01 831 943 | Cylinder                | 1    |                   | ●          |  |  |  |  |  |  |
| 41   | 141.085          | 1296 334 004 | 50 00 289 841 | Bronze Slide            | 2    |                   | ●          |  |  |  |  |  |  |
| 42   | 139.331          | 0750 112 034 | 50 00 289 801 | Cap Collar D.25x38x14,2 | 1    |                   | ●          |  |  |  |  |  |  |
| 43   | 189.422          | 1296 334 039 | 50 00 289 835 | Piston                  | 1    | (5)               | ●          |  |  |  |  |  |  |
| 43   |                  | 1297 334 056 |               | Piston                  | 1    | (6)               | ●          |  |  |  |  |  |  |
| 44   | 132.047          | 1295 334 075 | 50 01 859 475 | Cylinder                | 1    | (5)               | ●          |  |  |  |  |  |  |
| 44   |                  | 1297 334 055 |               | Cylinder                | 1    | (6)               | ●          |  |  |  |  |  |  |
| 45   |                  | 1313 234 011 | 50 01 831 876 | Fork                    | 1    |                   | ●          |  |  |  |  |  |  |
| 45   |                  | 1313 234 012 |               | Fork                    | 1    | (4)               | ●          |  |  |  |  |  |  |
| 46   | 198.339          | 1268 298 938 |               | Spring Slide Set        | 1    |                   | ●          |  |  |  |  |  |  |
| 47   | 198.564          | CEI 198564   |               | Spring Slide Set        | 1    |                   | ●          |  |  |  |  |  |  |
| 48   | 198.842          | 1295 298 933 |               | Spring Slide Set        | 1    |                   | ●          |  |  |  |  |  |  |
| 49   |                  | 1312 298 902 | 50 01 831 979 | Oil Seal Kit            | 1    |                   | ●          |  |  |  |  |  |  |
| 50   | 198.427          | 1295 298 915 | 50 01 831 982 | Gasket Kit              | 1    |                   | ●          |  |  |  |  |  |  |
| 51   | 198.856          | CEI 198856   |               | Synchronizer cone kit   | 1    | Can repl. fig. 14 | ●          |  |  |  |  |  |  |
| 52   | 135.128          | CEI 135128   |               | Saddle Plate            | 1    | Use with fig. 53  | ●          |  |  |  |  |  |  |
| 53   | 109.174          | 1296 333 050 | 50 01 848 259 | Synchronizer Cone       | 1    | Use with fig. 52  | ●          |  |  |  |  |  |  |

## Notes

- (4) Only Pneumatic Version  
 (5) To be coupled Together  
 (6) To be coupled Together

## Date

03 / 2006

## Table

015 / B

All original equipment manufacturers numbers, symbols, pictures, models and description used in this catalogue are for reference only, and it is not implied that any part listed is the product of these manufactures.  
 Tutti i nostri particolari non sono originali ma con essi intercambiabili. I riferimenti originali, le figure, i modelli sono esposti a semplice titolo indicativo. La nostra produzione riporta il nostro marchio.





suitable to :

**Z.F.****EcoSplit III****From 16S151 to 16S221****Planetary Gear with STRAIGHT TEETH****Application**

|                 | 16S151<br>(1315) | 16S221<br>(1316) |  |  |
|-----------------|------------------|------------------|--|--|
| <b>MERCEDES</b> |                  |                  |  |  |
| <b>M.A.N.</b>   |                  |                  |  |  |
| <b>IVECO</b>    |                  |                  |  |  |
| <b>R.V.I.</b>   |                  |                  |  |  |
| <b>DAF</b>      |                  |                  |  |  |
| <b>VOLVO</b>    |                  |                  |  |  |

**Ratios**

|               | R.13,80-0,84<br><b>A</b> | R.13,85-0,84<br><b>B</b> | R.13,86-0,84<br><b>C</b> | R.16,47-1,00<br><b>D</b> | R.16,53-1,00<br><b>E</b> |
|---------------|--------------------------|--------------------------|--------------------------|--------------------------|--------------------------|
| <b>16S151</b> |                          |                          |                          |                          |                          |
| <b>16S221</b> |                          |                          |                          |                          |                          |
|               |                          |                          |                          |                          |                          |
|               |                          |                          |                          |                          |                          |

**ECO III**  
 From 16S151  
 To 16S221



| Fig. | CEI no.        | O.E.M. Reference |               | Description                | Q.ty | Note                | Ratio |   |   |  |  |  |  |  |
|------|----------------|------------------|---------------|----------------------------|------|---------------------|-------|---|---|--|--|--|--|--|
|      |                | ZF no.           | R.V.I. no.    |                            |      |                     |       |   |   |  |  |  |  |  |
| 1    |                | 1315 302 013     |               | Cover                      | 1    |                     |       | ● | ● |  |  |  |  |  |
| 2    |                | 1315 202 014     |               | Rotor                      | 1    |                     |       | ● | ● |  |  |  |  |  |
| 3    |                | 1315 303 027     | 50 01 842 921 | Oil Pump Housing           | 1    |                     |       | ● | ● |  |  |  |  |  |
| 4    |                | 1315 302 057     |               | Front Cover                | 1    |                     |       | ● | ● |  |  |  |  |  |
| 5    |                | 0730 260 398     | 50 01 842 901 | Bush                       | 4    |                     |       | ● | ● |  |  |  |  |  |
| 6    |                | 0501 312 738     | 50 01 842 902 | Oil Seal 30x37x4           | 4    |                     |       | ● | ● |  |  |  |  |  |
| 7    |                | 1315 302 045     |               | Front Cover                | 1    |                     |       | ● | ● |  |  |  |  |  |
| 7    |                | 1315 302 047     |               | Front Cover                | 1    |                     |       | ● | ● |  |  |  |  |  |
| 8    |                | 1315 302 120     | 50 01 842 922 | Cover                      | 1    |                     |       | ● | ● |  |  |  |  |  |
| 9    |                | 1315 302 121     | 50 01 842 919 | Housing                    | 1    |                     |       | ● | ● |  |  |  |  |  |
| 10   |                | 1315 202 055     |               | Front Cover                | 1    |                     |       | ● | ● |  |  |  |  |  |
| 10   |                | 1315 202 058     | 50 01 848 212 | Front Cover                | 1    |                     |       | ● | ● |  |  |  |  |  |
| 10   |                | 1315 202 061     |               | Front Cover                | 1    |                     |       | ● | ● |  |  |  |  |  |
| 10   |                | 1315 202 065     | 50 01 853 290 | Front Cover                | 1    |                     |       | ● | ● |  |  |  |  |  |
| 10   |                | 1315 202 060     | 50 01 850 719 | Front Cover                | 1    | With WSK400         |       | ● | ● |  |  |  |  |  |
| 11   |                | 1315 302 075     |               | Front Cover                | 1    |                     |       | ● | ● |  |  |  |  |  |
| 11   |                | 1315 302 136     | 50 01 851 531 | Front Cover                | 1    |                     |       | ● | ● |  |  |  |  |  |
| 12   |                | 0734 310 386     | 50 01 847 325 | Oil Seal 55x75x8           | 1    |                     |       | ● | ● |  |  |  |  |  |
| 12   |                | 0734 310 104     | 50 00 821 194 | Oil Seal 52x68x8           | 1    | (1)                 |       | ● | ● |  |  |  |  |  |
| 12   |                | 0734 319 514     | 50 01 843 315 | Oil Seal 52x72x8           | 1    | (2)                 |       | ● | ● |  |  |  |  |  |
| 13   |                | 0635 450 098     | 50 00 293 041 | Bearing 52x90x33           | 1    | (2)                 |       | ● | ● |  |  |  |  |  |
| 14   |                | 4130 309 063     |               | Disk                       | 1    | (1)                 |       | ● | ● |  |  |  |  |  |
| 15   | <b>130.306</b> | 0750 117 431     | 50 01 831 668 | Bearing D.75x150x30,50     | 1    | (3-4-5)             |       | ● | ● |  |  |  |  |  |
| 16   | <b>137.133</b> | 0735 321 437     | 50 01 843 169 | Needle Cage D.93x101x25    | 2    | (3)                 |       | ● |   |  |  |  |  |  |
| 16   | <b>137.148</b> | 0750 115 310     | 50 01 831 791 | Needle Cage D.93x101x25    | 2    | (4)                 |       | ● |   |  |  |  |  |  |
| 16   | <b>137.134</b> | 0735 321 438     |               | Needle Cage D.93x101x32,50 | 2    | (5)                 |       | ● |   |  |  |  |  |  |
| 17   | <b>145.524</b> | 1315 302 008     | 50 01 842 880 | Constant Gear 34 T         | 1    | (3)                 | B     | ● |   |  |  |  |  |  |
| 17   | <b>145.451</b> | 1315 302 007     |               | Constant Gear 30 T         | 1    | (4)                 | DE    | ● |   |  |  |  |  |  |
| 17   | <b>145.472</b> | 1316 302 001     |               | Constant Gear 30 T         | 1    | (5)                 | D     | ● |   |  |  |  |  |  |
| 18   | <b>190.309</b> | 1315 202 022     | 50 01 842 879 | Input Shaft                | 1    | L=125 H=32          |       | ● |   |  |  |  |  |  |
| 18   | <b>190.296</b> | 1315 202 012     |               | Input Shaft                | 1    |                     |       | ● |   |  |  |  |  |  |
| 18   | <b>190.297</b> | 1316 202 005     |               | Input Shaft                | 1    |                     |       | ● |   |  |  |  |  |  |
| 19   | <b>130.518</b> | 0750 117 732     | 50 01 848 210 | Bearing D.85x150x30,50     | 1    |                     |       | ● | ● |  |  |  |  |  |
| 20   | <b>145.513</b> | 1315 302 173     | 50 01 855 526 | Constant Gear 34 T         | 1    |                     | A     | ● |   |  |  |  |  |  |
| 20   | <b>145.556</b> | 1315 302 158     | 50 01 848 208 | Constant Gear 35 T         | 1    |                     | C     | ● |   |  |  |  |  |  |
| 20   | <b>145.553</b> | 1315 302 157     | 50 01 856 589 | Constant Gear 30 T         | 1    |                     | D     | ● |   |  |  |  |  |  |
| 20   | <b>145.487</b> | 1316 302 065     |               | Constant Gear 34 T         | 1    |                     | A     | ● |   |  |  |  |  |  |
| 20   | <b>145.554</b> | 1316 302 067     | 50 01 850 725 | Constant Gear 35 T         | 1    |                     | C     | ● |   |  |  |  |  |  |
| 20   | <b>145.483</b> | 1316 302 066     | 50 01 848 728 | Constant Gear 30 T         | 1    |                     | D     | ● |   |  |  |  |  |  |
| 21   | <b>190.304</b> | 1315 202 037     | 50 01 848 274 | Input Shaft                | 1    | L=125 H=31,5        |       | ● |   |  |  |  |  |  |
| 21   | <b>190.315</b> | 1315 202 040     |               | Input Shaft                | 1    | L=102 H=32          |       | ● |   |  |  |  |  |  |
| 21   |                | 1315 202 048     |               | Input Shaft                | 1    | With WSK400         |       | ● |   |  |  |  |  |  |
| 21   | <b>190.317</b> | 1315 221 002     | 50 01 848 275 | Input Shaft                | 1    | NMV221 (Clutch PTO) |       | ● |   |  |  |  |  |  |
| 21   | <b>190.303</b> | 1316 202 025     | 50 01 853 606 | Input Shaft                | 1    | L=134 H=32          |       | ● |   |  |  |  |  |  |
| 21   | <b>190.300</b> | 1316 202 026     |               | Input Shaft                | 1    |                     |       | ● |   |  |  |  |  |  |

## Notes

- (1) Only for Input S. 1315 202 048-1316 202 033  
 (2) Only for Input S. 1315 221 002-1316 221 017  
 (3) Only for Input S. 1315 202 022 - Old Version with Needle B.  
 (4) Only for Input S. 1315 202 012 - Old version with Needle B.  
 (5) Only for Input S. 1316 202 005 - Old version with Needle B.  
 (6) Do not use for Old version with Needle Bearings  
 (7) Old Version. Repl. By 1315 304 089+1315 303 050  
 (8) Old Version. Repl. By 1316 304 103+1316 303 065  
 (9) For model **WITH** integrated Oil Pump  
 (10) For model **WITHOUT** integrated Oil Pump  
 (11) Old Version. Use 1316 303 002 with 1316 303 053  
 (12) Old Version. Use 1316 303 001 with 1316 303 052  
 (13) Old Version. Repl. by 1 pc. Fig. 73 + 1 pc. Fig. 74 (\*) New Models only. **DO NO MIX** Single Cone S. with Double Cone S.  
 (14) Latest Synchro gen. **DO NO MIX** the two different version. To update the previous one use the **synchro rebuilt kit fig. 79**  
 (15) Latest Synchro gen. **DO NO MIX** the two different version. To update the previous one use the **synchro rebuilt kit fig. 80**

## Date

03 / 2006

## Table

016 / A

ECO III

From 16S151  
To 16S221



## O.E.M. Reference

16S151 (1315)  
16S221 (1316)

| Fig. | CEI no. | ZF no.       | R.V.I. no.    | Description             | Q.ty | Note                | Ratio |   |   |  |  |  |  |
|------|---------|--------------|---------------|-------------------------|------|---------------------|-------|---|---|--|--|--|--|
| 21   | 190.310 | 1316 202 033 | 50 01 850 724 | Input Shaft             | 1    | L=63H=46,5 / WSK400 |       | ● |   |  |  |  |  |
| 21   |         | 1316 202 038 | 50 01 848 727 | Input Shaft             | 1    |                     |       | ● |   |  |  |  |  |
| 21   |         | 1316 221 017 |               | Input Shaft             | 1    | NMV221 (Clutch PTO) |       | ● |   |  |  |  |  |
| 22   | 109.134 | 1312 304 027 | 50 01 831 793 | Synchronizer Cone       | 1    |                     |       | ● | ● |  |  |  |  |
| 23   | 119.119 | 1297 304 402 | 50 01 831 795 | Synchronizer Ring       | 2    | Old Type            |       | ● | ● |  |  |  |  |
| 23   | 119.167 | 1297 304 484 | 50 01 845 809 | Synchronizer Ring       | 2    | New Type            |       | ● | ● |  |  |  |  |
| 24   | 154.135 | 1310 304 202 | 50 01 848 744 | Sliding Sleeve          | 1    |                     |       | ● | ● |  |  |  |  |
| 25   | 109.133 | 1312 304 056 | 50 01 831 792 | Synchronizer Cone       | 1    |                     |       | ● | ● |  |  |  |  |
| 26   | 137.150 | 0750 117 232 | 50 01 823 861 | Roller Cage D.42x40,30  | 1    |                     |       | ● | ● |  |  |  |  |
| 27   |         | 1315 304 048 | 50 01 854 418 | Ring                    | 1    | S.8,00 mm           |       | ● | ● |  |  |  |  |
| 27   |         | 1315 304 043 | 50 01 842 940 | Ring                    | 1    | S.7,50 mm           |       | ● | ● |  |  |  |  |
| 28   | 169.776 | 0750 101 158 | 50 01 851 626 | Thrust Washer 81,5x5    | 1    | (6)                 |       | ● | ● |  |  |  |  |
| 29   | 117.321 | 0750 119 125 | 50 01 851 627 | Bush D.67x77x54,1       | 1    | (6)                 |       | ● |   |  |  |  |  |
| 29   | 117.320 | 0750 119 124 | 50 01 853 233 | Bush D.67x77x66,10      | 1    | (6)                 |       |   | ● |  |  |  |  |
| 30   | 137.164 | 0750 115 534 | 50 01 851 628 | Roller Cage D.77x101x29 | 2    | (6)                 |       | ● |   |  |  |  |  |
| 30   | 137.156 | 0750 118 198 | 50 01 831 817 | Roller Cage D.67x101x32 | 2    | (3-4)               |       | ● |   |  |  |  |  |
| 30   | 137.136 | 0750 115 531 | 50 01 853 234 | Roller Cage D.77x101x29 | 2    | (6)                 |       |   | ● |  |  |  |  |
| 30   |         | 0750 118 258 | 50 01 848 864 | Roller Cage D.67x101x38 | 2    | (5)                 |       |   | ● |  |  |  |  |
| 31   | 146.431 | 1315 304 017 | 50 01 842 938 | Gear 4th Speed 30 T     | 1    |                     | AB    | ● |   |  |  |  |  |
| 31   | 146.320 | 1315 304 089 | 50 01 848 238 | Gear 4th Speed 32 T     | 1    |                     | CDE   | ● |   |  |  |  |  |
| 31   | 145.729 | 1315 304 010 |               | Gear 4th Speed          | 1    | Old (7)             | D     | ● |   |  |  |  |  |
| 31   | 146.410 | 1316 304 007 |               | Gear 4th Speed 30 T     | 1    |                     | A     |   | ● |  |  |  |  |
| 31   | 146.401 | 1316 304 103 | 50 01 848 865 | Gear 4th Speed 32 T     | 1    |                     | CD    |   | ● |  |  |  |  |
| 31   | 145.730 | 1316 304 006 |               | Gear 4th Speed          | 1    | Old (8)             | D     |   | ● |  |  |  |  |
| 33   | 109.134 | 1312 304 027 | 50 01 831 793 | Synchronizer Cone       | 2    |                     |       | ● | ● |  |  |  |  |
| 33   | 109.385 | 1316 304 159 |               | Synchronizer Cone       | 2    |                     | (#)   | ● | ● |  |  |  |  |
| 34   | 119.119 | 1297 304 402 | 50 01 831 795 | Synchronizer Ring       | 2    | Old Type            |       | ● | ● |  |  |  |  |
| 34   | 119.167 | 1297 304 484 | 50 01 845 809 | Synchronizer Ring       | 2    | New Type            |       | ● | ● |  |  |  |  |
| 34   | 119.217 | 1316 304 149 |               | Synchronizer Ring       | 2    |                     | (#)   | ● | ● |  |  |  |  |
| 35   | 157.180 | 1312 304 052 | 50 01 831 818 | Synchronizer Hub        | 1    |                     |       | ● | ● |  |  |  |  |
| 35   | 157.227 | 1316 304 162 |               | Synchronizer Hub        | 1    |                     | (#)   | ● | ● |  |  |  |  |
| 36   | 154.135 | 1310 304 202 | 50 01 848 744 | Sliding Sleeve          | 1    |                     |       | ● | ● |  |  |  |  |
| 36   | 154.357 | 1315 304 135 |               | Sliding Sleeve          | 1    |                     | (#)   | ● | ● |  |  |  |  |
| 37   | 156.140 | 0732 040 409 | 50 00 242 857 | Spring D.6,50x23,50     | 3    |                     |       | ● | ● |  |  |  |  |
| 38   | 160.189 | 1297 304 436 | 50 00 289 398 | Pressure Piece          | 3    |                     |       | ● | ● |  |  |  |  |
| 39   | 145.514 | 1315 304 028 | 50 01 842 937 | Gear 3rd Speed 32 T     | 1    |                     | AB    | ● |   |  |  |  |  |
| 39   | 145.456 | 1315 304 027 | 50 01 848 236 | Gear 3rd Speed 34 T     | 1    |                     | CDE   | ● |   |  |  |  |  |
| 39   | 145.488 | 1316 304 009 |               | Gear 3rd Speed 32 T     | 1    |                     | A     |   | ● |  |  |  |  |
| 39   | 145.473 | 1316 304 008 | 50 01 848 863 | Gear 3rd Speed 34 T     | 1    |                     | CD    |   | ● |  |  |  |  |
| 40   | 137.137 | 0735 321 087 | 50 01 831 801 | Needle Cage D.92x100x53 | 2    |                     |       | ● |   |  |  |  |  |
| 40   | 137.138 | 0750 115 303 | 50 01 848 858 | Needle Cage D.92x100x63 | 2    |                     |       |   | ● |  |  |  |  |
| 41   | 103.135 | 1315 304 130 | 50 00 294 040 | Main Shaft              | 1    |                     | ACD   | ● |   |  |  |  |  |
| 41   | 103.127 | 1315 304 029 |               | Main Shaft              | 1    |                     | BE    | ● |   |  |  |  |  |
| 41   | 103.128 | 1316 304 130 | 50 01 854 334 | Main Shaft              | 1    |                     |       |   | ● |  |  |  |  |
| 42   | 145.455 | 1315 304 026 | 50 01 842 924 | Gear 2nd Speed 37 T     | 1    |                     | AB    | ● |   |  |  |  |  |

## Notes

- (1) Only for Input S. 1315 202 048-1316 202 033  
 (2) Only for Input S. 1315 221 002-1316 221 017  
 (3) Only for Input S. 1315 202 022 - Old Version with Needle B.  
 (4) Only for Input S. 1315 202 012 - Old version with Needle B.  
 (5) Only for Input S. 1316 202 005 - Old version with Needle B.  
 (6) Do not use for Old version with Needle Bearings  
 (7) Old Version. Repl. By 1315 304 089+1315 303 050  
 (8) Old Version. Repl. By 1316 304 103+1316 303 065  
 (9) For model WITH integrated Oil Pump  
 (10) For model WITHOUT integrated Oil Pump  
 (11) Old Version. Use 1316 303 002 with 1316 303 053  
 (12) Old Version. Use 1316 303 001 with 1316 303 052  
 (13) Old Version. Repl. by 1 pc. Fig. 73 + 1 pc. Fig. 74 (\*) New Models only. Do NO MIX Single Cone S. with Double Cone S.  
 (#) Latest Synchro gen. DO NO MIX the two different version. To update the previous one use the synchro rebuilt kit fig. 79  
 (@) Latest Synchro gen. DO NO MIX the two different version. To update the previous one use the synchro rebuilt kit fig. 79

## Date

03 / 2006

## Table

016 / A

ECO III

From 16S151  
To 16S221



| Fig. | CEI no. | O.E.M. Reference |               | Description             | Q.ty | Note           | Ratio |               |               |  |  |  |  |  |
|------|---------|------------------|---------------|-------------------------|------|----------------|-------|---------------|---------------|--|--|--|--|--|
|      |         | ZF no.           | R.V.I. no.    |                         |      |                |       | 16S151 (1315) | 16S221 (1316) |  |  |  |  |  |
| 42   | 145.454 | 1315 304 025     | 50 01 848 221 | Gear 2nd Speed 38 T     | 1    |                | CDE   | ●             |               |  |  |  |  |  |
| 42   | 145.515 | 1316 304 003     |               | Gear 2nd Speed 37 T     | 1    |                | A     |               | ●             |  |  |  |  |  |
| 42   | 145.474 | 1316 304 002     | 50 01 848 791 | Gear 2nd Speed 38 T     | 1    |                | CD    |               | ●             |  |  |  |  |  |
| 43   | 109.176 | 1312 304 106     | 50 01 832 906 | Synchronizer Cone       | 2    |                |       | ●             | ●             |  |  |  |  |  |
| 44   | 119.152 | 1268 304 424     | 50 01 832 907 | Intermediate Ring       | 2    |                |       | ●             | ●             |  |  |  |  |  |
| 45   | 119.153 | 1268 304 494     | 50 01 849 668 | Intermediate Cone       | 2    |                |       | ●             | ●             |  |  |  |  |  |
| 46   | 119.144 | 1268 304 525     | 50 01 832 976 | Synchronizer Ring       | 2    |                |       | ●             | ●             |  |  |  |  |  |
| 47   | 157.181 | 1312 304 158     | 50 01 842 925 | Synchronizer Hub        | 1    |                |       | ●             | ●             |  |  |  |  |  |
| 48   | 154.190 | 1310 304 175     | 50 01 847 344 | Sliding Sleeve          | 1    |                |       | ●             | ●             |  |  |  |  |  |
| 49   | 156.176 | 1312 304 159     | 50 01 832 974 | Pad                     | 3    |                |       | ●             | ●             |  |  |  |  |  |
| 50   | 109.132 | 1313 304 009     | 50 01 831 807 | Synchronizer Cone       | 2    | (*)            |       | ●             | ●             |  |  |  |  |  |
| 50   | 109.386 | 1316 304 156     |               | Synchronizer Cone       | 2    |                | (@)   | ●             | ●             |  |  |  |  |  |
| 51   | 119.122 | 1297 304 401     | 50 01 831 806 | Synchronizer Ring       | 2    | Old Type (*)   |       | ●             | ●             |  |  |  |  |  |
| 51   | 119.166 | 1297 304 485     | 50 01 853 567 | Synchronizer Ring       | 2    | New Type (*)   |       | ●             | ●             |  |  |  |  |  |
| 51   | 119.218 | 1316 304 150     |               | Synchronizer Ring       | 2    |                | (@)   | ●             | ●             |  |  |  |  |  |
| 52   | 157.189 | 1313 304 008     | 50 01 831 803 | Synchronizer Hub        | 1    | (*)            |       | ●             | ●             |  |  |  |  |  |
| 52   | 157.228 | 1316 304 163     |               | Synchronizer Hub        | 1    |                | (@)   | ●             | ●             |  |  |  |  |  |
| 53   | 154.202 | 1316 304 078     | 50 01 854 408 | Sliding Sleeve          | 1    | (*)            |       | ●             | ●             |  |  |  |  |  |
| 53   | 154.358 | 1315 304 136     |               | Sliding Sleeve          | 1    |                | (@)   | ●             | ●             |  |  |  |  |  |
| 54   | 137.160 | 0750 115 325     | 50 01 831 809 | Needle Cage D.96x104x55 | 1    |                |       | ●             |               |  |  |  |  |  |
| 54   | 137.151 | 0750 115 327     | 50 01 848 818 | Needle Cage D.96x104x72 | 1    |                |       |               | ●             |  |  |  |  |  |
| 55   | 117.294 | 1313 304 038     | 50 01 831 808 | Bush                    | 1    |                |       | ●             |               |  |  |  |  |  |
| 55   | 117.310 | 1312 304 084     | 50 01 848 815 | Bush D.85x96x72         | 1    |                |       |               | ●             |  |  |  |  |  |
| 56   | 145.453 | 1315 304 014     | 50 01 842 926 | Gear 1st Speed 44 T     | 1    |                | AB    | ●             |               |  |  |  |  |  |
| 56   | 145.452 | 1315 304 004     | 50 01 848 226 | Gear 1st Speed 47 T     | 1    |                | CDE   | ●             |               |  |  |  |  |  |
| 56   | 145.522 | 1316 304 013     |               | Gear 1st Speed 44 T     | 1    |                | A     |               | ●             |  |  |  |  |  |
| 56   | 145.475 | 1316 304 010     | 50 01 848 819 | Gear 1st Speed 47 T     | 1    |                | CD    |               | ●             |  |  |  |  |  |
| 57   | 109.144 | 1315 304 018     | 50 01 842 927 | Engaging Ring           | 1    |                |       | ●             |               |  |  |  |  |  |
| 57   | 109.163 | 1312 304 124     | 50 01 848 822 | Engaging Ring           | 1    |                |       |               | ●             |  |  |  |  |  |
| 58   | 117.293 | 1315 304 132     | 50 01 851 029 | Bush                    | 1    |                |       | ●             |               |  |  |  |  |  |
| 58   | 117.311 | 1316 304 133     | 50 01 854 361 | Bush D.80x90x50         | 1    |                |       |               | ●             |  |  |  |  |  |
| 59   | 137.162 | 0750 115 324     | 50 01 831 813 | Roller Cage D.90x98x41  | 1    |                |       | ●             |               |  |  |  |  |  |
| 59   | 137.140 | 0750 115 326     | 50 01 848 824 | Roller Cage D.90x98x50  | 1    |                |       |               | ●             |  |  |  |  |  |
| 60   | 147.124 | 1315 304 013     | 50 01 842 928 | Reverse Gear 42 T       | 1    |                | AB    | ●             |               |  |  |  |  |  |
| 60   | 147.123 | 1315 304 006     | 50 01 848 227 | Reverse Gear 44 T       | 1    |                | CDE   | ●             |               |  |  |  |  |  |
| 60   | 147.144 | 1316 304 015     |               | Reverse Gear 42 T       | 1    |                | A     |               | ●             |  |  |  |  |  |
| 60   | 147.128 | 1316 304 012     | 50 01 848 825 | Reverse Gear 44 T       | 1    |                | CD    |               | ●             |  |  |  |  |  |
| 61   | 130.309 | 0750 117 677     | 50 01 842 929 | Bearing D.80x130x36     | 1    |                |       | ●             |               |  |  |  |  |  |
| 61   | 130.304 | 0750 117 678     | 50 01 848 849 | Bearing D.80x140x36,50  | 1    |                |       |               | ●             |  |  |  |  |  |
| 62   | 188.209 | 1312 304 150     | 50 01 823 850 | Oil Tube                | 1    |                |       | ●             | ●             |  |  |  |  |  |
| 63   |         | 0730 102 099     | 77 01 014 622 | Washer                  | 1    | S.3,00 mm (9)  |       | ●             |               |  |  |  |  |  |
| 63   |         | 0730 102 072     | 77 01 014 642 | Washer                  | 1    | S.2,00 mm (9)  |       | ●             |               |  |  |  |  |  |
| 63   |         | 0730 106 917     | 50 01 842 904 | Washer                  | 1    | S.3,00 mm (10) |       | ●             |               |  |  |  |  |  |
| 63   |         | 0730 101 471     | 50 01 853 305 | Washer                  | 1    | S.2,00 mm (10) |       | ●             |               |  |  |  |  |  |
| 63   |         | 0730 106 917     | 50 01 842 904 | Washer                  | 1    | S.3,00 mm      |       | ●             |               |  |  |  |  |  |

## Notes

- (1) Only for Input S. 1315 202 048-1316 202 033  
 (2) Only for Input S. 1315 221 002-1316 221 017  
 (3) Only for Input S. 1315 202 022 - Old Version with Needle B.  
 (4) Only for Input S. 1315 202 012 - Old version with Needle B.  
 (5) Only for Input S. 1316 202 005 - Old version with Needle B.  
 (6) Do not use for Old version with Needle Bearings  
 (7) Old Version. Repl. By 1315 304 089+1315 303 050  
 (8) Old Version. Repl. By 1316 304 103+1316 303 065  
 (9) For model WITH integrated Oil Pump  
 (10) For model WITHOUT integrated Oil Pump  
 (11) Old Version. Use 1316 303 002 with 1316 303 053  
 (12) Old Version. Use 1316 303 001 with 1316 303 052  
 (13) Old Version. Repl. by 1 pc. Fig. 73 + 1 pc. Fig. 74  
 (\*) New Models only. Do NO MIX Single Cone S. with Double Cone S.  
 @) Latest Synchro gen. DO NO MIX the two different version. To update the previous one use the synchro rebuilt kit fig. 79  
 @) Latest Synchro gen. DO NO MIX the two different version. To update the previous one use the synchro rebuilt kit fig. 80

## Date

03 / 2006

## Table

016 / A





| Fig. | CEI no. | O.E.M. Reference |               | Description               | Q.ty | Note      | Ratio |               |               |  |  |  |  |
|------|---------|------------------|---------------|---------------------------|------|-----------|-------|---------------|---------------|--|--|--|--|
|      |         | ZF no.           | R.V.I. no.    |                           |      |           |       | 16S151 (1315) | 16S221 (1316) |  |  |  |  |
| 63   |         | 0730 101 471     | 50 01 853 305 | Washer                    | 1    | S.2,00 mm |       | ●             |               |  |  |  |  |
| 64   | 130.242 | 0750 117 010     | 50 00 808 760 | Bearing D.50,80x100x35    | 1    | (9)       |       | ●             |               |  |  |  |  |
| 64   | 130.308 | 0750 117 009     | 50 01 843 170 | Bearing D.49,2x103,1x43,6 | 1    | (10)      |       | ●             |               |  |  |  |  |
| 64   | 130.308 | 0750 117 009     | 50 01 843 170 | Bearing D.49,2x103,1x43,6 | 1    |           |       | ●             |               |  |  |  |  |
| 65   | 146.427 | 1315 303 052     | 50 01 842 916 | Constant Gear 37 T        | 1    |           | AB    | ●             |               |  |  |  |  |
| 65   | 146.473 | 1315 303 051     | 50 01 848 218 | Constant Gear 32 T        | 1    |           | C     | ●             |               |  |  |  |  |
| 65   | 146.367 | 1315 303 008     | 50 01 856 590 | Constant Gear 39 T        | 1    |           | DE    | ●             |               |  |  |  |  |
| 65   | 146.407 | 1316 303 031     |               | Constant Gear 37 T        | 1    |           | A     | ●             |               |  |  |  |  |
| 65   | 146.428 | 1316 303 002     |               | Constant Gear 37 T        | 1    | Old(11)   | A     | ●             |               |  |  |  |  |
| 65   | 146.469 | 1316 303 064     | 50 01 850 731 | Constant Gear 32 T        | 1    |           | C     | ●             |               |  |  |  |  |
| 65   | 146.486 | 1316 303 030     | 50 01 848 761 | Constant Gear 39 T        | 1    |           | D     | ●             |               |  |  |  |  |
| 65   | 146.388 | 1316 303 001     |               | Constant Gear 39 T        | 1    | Old(12)   | D     | ●             |               |  |  |  |  |
| 66   | 146.429 | 1315 303 046     | 50 01 842 917 | Gear 4th Speed 39 T       | 1    |           | AB    | ●             |               |  |  |  |  |
| 66   | 146.474 | 1315 303 050     | 50 01 848 219 | Gear 4th Speed 35 T       | 1    |           | CDE   | ●             |               |  |  |  |  |
| 66   | 146.389 | 1315 303 006     |               | Gear 4th Speed 37 T       | 1    | (7)       | D     | ●             |               |  |  |  |  |
| 66   | 146.408 | 1316 303 004     |               | Gear 4th Speed 39 T       | 1    |           | A     | ●             |               |  |  |  |  |
| 66   | 146.426 | 1316 303 065     | 50 01 848 764 | Gear 4th Speed 35 T       | 1    |           | CD    | ●             |               |  |  |  |  |
| 66   | 146.390 | 1316 303 003     |               | Gear 4th Speed 37 T       | 1    | (8)       | D     | ●             |               |  |  |  |  |
| 67   | 146.368 | 1315 303 010     | 50 01 842 915 | Gear 3rd Speed 28 T       | 1    | 3         | AB    | ●             |               |  |  |  |  |
| 67   | 146.365 | 1315 303 004     | 50 01 848 217 | Gear 3rd Speed 26 T       | 1    |           | CDE   | ●             |               |  |  |  |  |
| 67   | 146.409 | 1316 303 006     |               | Gear 3rd Speed 28 T       | 1    |           | A     | ●             |               |  |  |  |  |
| 67   | 146.391 | 1316 303 005     | 50 01 848 755 | Gear 3rd Speed 26 T       | 1    |           | CD    | ●             |               |  |  |  |  |
| 68   | 105.112 | 1315 303 048     |               | Countershaft 19-23 T      | 1    | (9)       | AB    | ●             |               |  |  |  |  |
| 68   | 105.095 | 1315 303 049     |               | Countershaft 17-20 T      | 1    | (9)       | DE    | ●             |               |  |  |  |  |
| 68   | 105.109 | 1315 303 041     | 50 01 842 903 | Countershaft 19-23 T      | 1    | (10)      | A     | ●             |               |  |  |  |  |
| 68   | 105.124 | 1315 303 042     | 50 01 848 215 | Countershaft 17-20 T      | 1    | (10)      | CD    | ●             |               |  |  |  |  |
| 68   | 105.103 | 1316 303 034     |               | Countershaft 19-23 T      | 1    |           | A     | ●             |               |  |  |  |  |
| 68   | 105.110 | 1316 303 053     |               | Countershaft 19-23 T      | 1    | (11)      | A     | ●             |               |  |  |  |  |
| 68   | 105.100 | 1316 303 033     | 50 01 848 752 | Countershaft 17-20 T      | 1    |           | CD    | ●             |               |  |  |  |  |
| 68   | 105.096 | 1316 303 052     |               | Countershaft 17-20 T      | 1    | (12)      | D     | ●             |               |  |  |  |  |
| 69   | 130.307 | 0750 117 011     | 50 01 831 796 | Bearing D.50,8x104,7x39,6 | 1    |           |       | ●             |               |  |  |  |  |
| 69   | 130.308 | 0750 117 009     | 50 01 843 170 | Bearing D.49,2x103,1x43,6 | 1    |           |       | ●             |               |  |  |  |  |
| 70   | 137.135 | 0750 115 366     | 50 01 842 870 | Needle Cage D.45x57x21    | 2    |           |       | ●             |               |  |  |  |  |
| 70   | 137.149 | 0750 115 369     | 50 01 848 708 | Needle Cage D.45x57x25    | 2    |           |       | ●             |               |  |  |  |  |
| 71   | 147.142 | 1315 305 005     | 50 01 842 865 | Reverse Gear 20 T         | 1    |           | AB    | ●             |               |  |  |  |  |
| 71   | 147.126 | 1315 305 002     | 50 01 848 198 | Reverse Gear 22 T         | 1    |           | CDE   | ●             |               |  |  |  |  |
| 71   | 147.143 | 1316 305 002     |               | Reverse Gear 20 T         | 1    |           | A     | ●             |               |  |  |  |  |
| 71   | 147.127 | 1316 305 001     | 50 01 848 707 | Reverse Gear 22 T         | 1    |           | CD    | ●             |               |  |  |  |  |
| 72   |         | 1315 201 054     |               | Reverse Shaft             | 1    | Old(13)   | AB    | ●             |               |  |  |  |  |
| 72   |         | 1315 201 053     |               | Reverse Shaft             | 1    | Old(13)   | CDE   | ●             |               |  |  |  |  |
| 72   |         | 1316 201 030     |               | Reverse Shaft             | 1    | Old(13)   | A     | ●             |               |  |  |  |  |
| 72   | 190.301 | 1316 201 029     |               | Reverse Shaft             | 1    | Old(13)   | CD    | ●             |               |  |  |  |  |
| 73   | 190.302 | 1315 305 009     | 50 01 843 643 | Reverse Shaft             | 1    | New       |       | ●             | ●             |  |  |  |  |
| 74   |         | 0631 329 293     | 50 01 842 873 | Pin                       | 1    | New       | AB    | ●             |               |  |  |  |  |
| 74   |         | 0631 329 294     | 50 01 848 201 | Pin                       | 1    | New       | CDE   | ●             |               |  |  |  |  |

## Notes

- (1) Only for Input S. 1315 202 048-1316 202 033  
 (2) Only for Input S. 1315 221 002-1316 221 017  
 (3) Only for Input S. 1315 202 022 - Old Version with Needle B.  
 (4) Only for Input S. 1315 202 012 - Old version with Needle B.  
 (5) Only for Input S. 1316 202 005 - Old version with Needle B.  
 (6) Do not use for Old version with Needle Bearings  
 (7) Old Version. Repl. By 1315 304 089+ 1315 303 050  
 (8) Old Version. Repl. By 1316 304 103+ 1316 303 065  
 (9) For model WITH integrated Oil Pump  
 (10) For model WITHOUT integrated Oil Pump  
 (11) Old Version. Use 1316 303 002 with 1316 303 053  
 (12) Old Version. Use 1316 303 001 with 1316 303 052  
 (13) Old Version. Repl. by 1 pc. Fig. 73 + 1 pc. Fig. 74 (\*) New Models only. Do NO MIX Single Cone S. with Double Cone S.  
 (14) Latest Synchro gen. DO NO MIX the two different version. To update the previous one use the synchro rebuilt kit fig. 79  
 (15) Latest Synchro gen. DO NO MIX the two different version. To update the previous one use the synchro rebuilt kit fig. 80

Date

03 / 2006

Table

016 / A

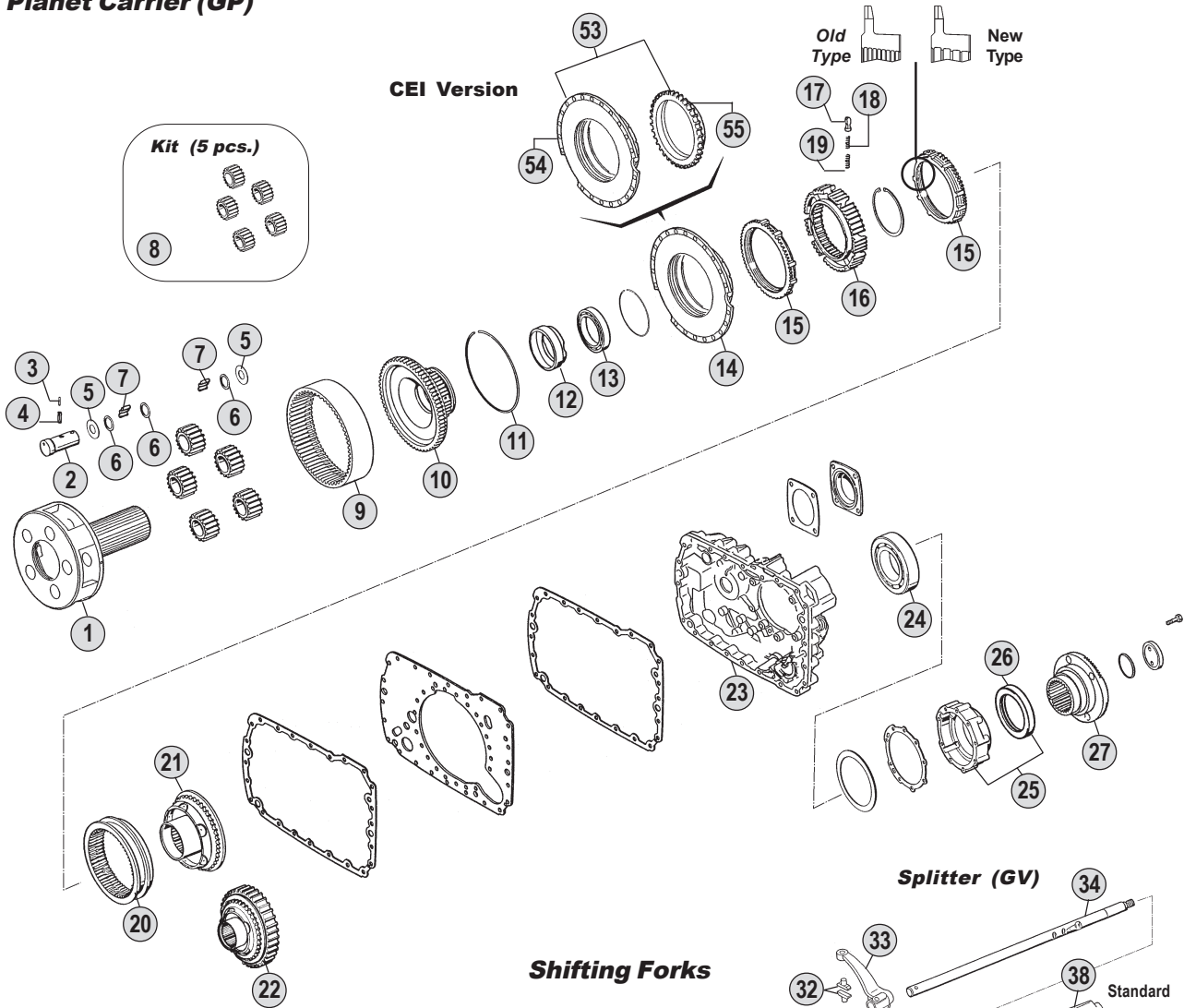




Suitable To : **ZF**

**16S151 - 16S221**

**Planet Carrier (GP)**

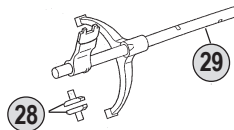


**Springs & Slides Kits**

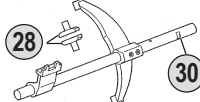
|               |               |               |
|---------------|---------------|---------------|
| x 3           | x 6           | x 9           |
| x 3           | x 6           | x 9           |
| x 3           | x 6           | x 9           |
| <b>Kit 48</b> | <b>Kit 49</b> | <b>Kit 50</b> |

**Shifting Forks**

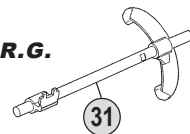
**4th/3rd**



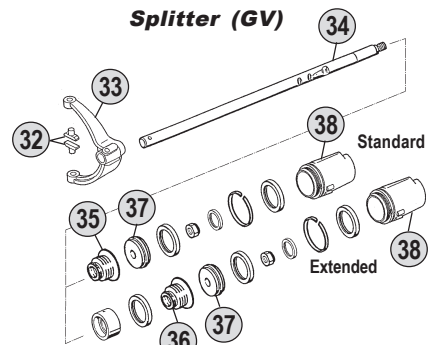
**2nd/1st**



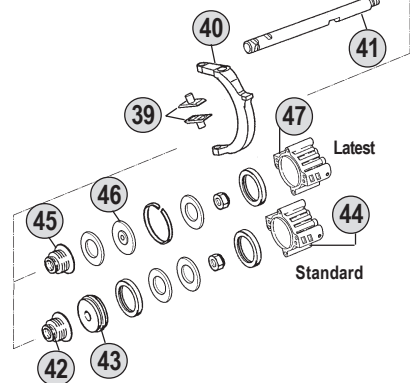
**R.G.**



**Splitter (GV)**



**Range (GP)**



**Kits**



**Ratios**

|               |               |                 |                 |                 |               |
|---------------|---------------|-----------------|-----------------|-----------------|---------------|
| <b>16S151</b> | A: 13,80-0,84 | B: 13,85 - 0,84 | C: 13,86 - 0,84 | D: 16,47 - 1,00 | E: 16,53-1,00 |
| <b>16S221</b> | A: 13,80-0,84 | B: --           | C: 13,86 - 0,84 | D: 16,47 - 1,00 | E: -          |

All original equipment manufacturers' numbers, symbols, pictures, models and description used in this catalogue are for reference only, and it is not implied that any part listed is the product of these manufactures. Tutti i nostri particolari non sono originali ma con essi intercambiabili. I riferimenti originali, le figure, i modelli sono esposti a semplice titolo indicativo. La nostra produzione riporta il nostro marchio.

| Fig. | O.E.M. Reference |              |               | Description                     | Q.ty | Note          | Ratio |               |               |  |  |  |
|------|------------------|--------------|---------------|---------------------------------|------|---------------|-------|---------------|---------------|--|--|--|
|      | CEI no.          | ZF no.       | R.V.I. no.    |                                 |      |               |       | 16S151 (1315) | 16S221 (1316) |  |  |  |
| 1    | 190.393          | 1296 232 002 | 50 01 831 856 | Planetary Carrier               | 1    |               |       | ●             |               |  |  |  |
| 1    | 190.392          | 1316 232 006 | 50 01 850 741 | Planetary Carrier               | 1    |               |       | ●             |               |  |  |  |
| 2    | 107.164          | 1296 332 005 | 50 01 831 862 | Planet Shaft                    | 5    |               |       | ●             |               |  |  |  |
| 2    | 107.165          | 1312 332 026 | 50 01 850 743 | Planet Shaft                    | 5    |               |       | ●             |               |  |  |  |
| 3    | 160.195          | 0631 329 167 | 50 01 831 867 | Lock Pin D.3x26                 | 5    |               |       | ●             | ●             |  |  |  |
| 4    | 160.194          | 0631 329 051 | 77 01 014 081 | Lock Pin D.5x26                 | 5    |               |       | ●             | ●             |  |  |  |
| 5    | 169.759          | 0501 308 981 | 50 01 831 859 | Thrust Washer                   | 10   |               |       | ●             | ●             |  |  |  |
| 6    | 169.744          | 0730 107 168 | 50 01 831 858 | Spacer Ring                     | 15   |               |       | ●             | ●             |  |  |  |
| 7    | 171.046          | 0735 470 164 | 50 01 831 861 | Roller D.10x15                  | 140  |               |       | ●             |               |  |  |  |
| 7    | <b>171.062</b>   | 0750 119 116 | 50 01 848 257 | Roller D.10x16,8                | 140  |               |       |               | ●             |  |  |  |
| 8    | <b>198.800</b>   | 1313 232 003 | 50 01 831 857 | Planetary Gear Set (5 pcs)      | 1    |               | ACD   | ●             |               |  |  |  |
| 8    | <b>198.816</b>   | 1315 232 001 |               | Planetary Gear Set (5 pcs)      | 1    |               | BE    | ●             |               |  |  |  |
| 8    | <b>198.801</b>   | 1312 232 014 | 50 01 850 742 | Planetary Gear Set (5 pcs)      | 1    |               |       |               | ●             |  |  |  |
| 9    | <b>123.208</b>   | 1295 332 086 | 50 01 831 869 | Crown Gear 86 T                 | 1    |               | ACD   | ●             |               |  |  |  |
| 9    | <b>123.221</b>   | 1315 332 003 |               | Crown Gear 90 T                 | 1    |               | BE    | ●             |               |  |  |  |
| 9    | <b>123.208</b>   | 1295 332 086 | 50 01 831 869 | Crown Gear 86 T                 | 1    |               |       |               | ●             |  |  |  |
| 10   | <b>150.133</b>   | 1313 332 020 | 50 01 831 868 | Flange Gear 86 T                | 1    |               | ACD   | ●             |               |  |  |  |
| 10   | <b>150.140</b>   | 1315 332 002 |               | Flange Gear 90 T                | 1    |               | BE    | ●             |               |  |  |  |
| 10   | <b>150.134</b>   | 1297 332 120 | 50 01 850 744 | Flange Gear 86 T                | 1    |               |       |               | ●             |  |  |  |
| 11   | 111.198          | 0730 505 056 | 50 01 821 642 | Locking Wire                    | 1    |               |       | ●             | ●             |  |  |  |
| 12   |                  | 1297 332 002 |               | Ring                            | 1    |               |       | ●             |               |  |  |  |
| 13   | 130.310          | 0750 116 165 | 50 01 821 522 | Bearing D.80x110x16             | 1    |               |       | ●             |               |  |  |  |
| 13   | 130.311          | 0635 338 035 | 50 01 850 745 | Bearing D.100x125x13            | 1    |               |       |               | ●             |  |  |  |
| 14   | <b>298.017</b>   | 1315 233 006 | 50 01 843 126 | Synchronizer Cone               | 1    |               |       | ●             | ●             |  |  |  |
| 15   | <b>119.085</b>   | 1296 333 022 | 50 00 289 824 | Synchronizer Ring               | 2    | Old Type      |       | ●             | ●             |  |  |  |
| 15   | <b>119.172</b>   | 1296 333 045 | 50 01 846 736 | Synchronizer Ring               | 2    | New Type      |       | ●             | ●             |  |  |  |
| 16   | <b>157.182</b>   | 1313 333 001 | 50 01 831 875 | Synchronizer Hub                | 1    |               |       | ●             |               |  |  |  |
| 16   | <b>157.183</b>   | 1297 333 115 | 50 01 850 751 | Synchronizer Hub                | 1    |               |       |               | ●             |  |  |  |
| 17   | <b>160.116</b>   | 1240 304 278 | 50 00 255 276 | Pressure Piece                  | 9    |               |       | ●             | ●             |  |  |  |
| 18   | <b>156.036</b>   | 0732 040 386 | 50 00 255 277 | Inner Spring De.3x34            | 9    |               |       | ●             | ●             |  |  |  |
| 19   | <b>156.037</b>   | 0732 040 385 | 77 01 007 805 | Outer Spring De.6x34            | 9    |               |       | ●             | ●             |  |  |  |
| 20   | <b>154.098</b>   | 1296 333 023 | 50 00 289 825 | Sliding Sleeve                  | 1    |               |       | ●             | ●             |  |  |  |
| 21   | <b>198.374</b>   | 1313 233 001 | 50 01 821 639 | Synchronizer Cone (38 Spl.)     | 1    |               |       | ●             |               |  |  |  |
| 21   | <b>198.790</b>   | 1297 233 056 | 50 01 850 752 | Synchronizer Cone (41 Spl.)     | 1    |               |       |               | ●             |  |  |  |
| 22   | <b>196.353</b>   | 1315 233 023 |               | Synchronizer Cone 59 T (38 Spl) | 1    | With Retarder |       | ●             |               |  |  |  |
| 22   | <b>196.352</b>   | 1316 233 010 |               | Synchronizer Cone 59 T (41 Spl) | 1    | With Retarder |       |               | ●             |  |  |  |
| 23   |                  | 1315 301 117 |               | Housing                         | 1    |               |       | ●             | ●             |  |  |  |
| 23   | 175.242          | 1315 301 223 | 50 01 849 934 | Housing                         | 1    |               |       | ●             | ●             |  |  |  |
| 24   | 130.245          | 0750 116 002 | 50 01 858 080 | Bearing D.90x160x30             | 1    |               |       | ●             | ●             |  |  |  |
| 25   |                  | 1315 231 004 |               | Cover                           | 1    |               |       | ●             | ●             |  |  |  |
| 26   |                  | 0750 111 341 | 50 00 289 673 | Oil Seal 105x130x12             | 1    |               |       | ●             | ●             |  |  |  |
| 27   |                  | 1315 338 002 |               | Output Flange                   | 1    | D.180-4.H.    |       | ●             |               |  |  |  |
| 27   |                  | 1313 338 002 |               | Output Flange                   | 1    | D.180-4.H.    |       | ●             |               |  |  |  |
| 27   |                  | 1313 338 011 | 50 01 831 874 | Output Flange                   | 1    | D.204-4.H.    |       | ●             |               |  |  |  |
| 27   |                  | 1315 238 001 |               | Output Flange                   | 1    | D.222-4.H.    |       | ●             |               |  |  |  |

Notes

Date

03 / 2006

Table

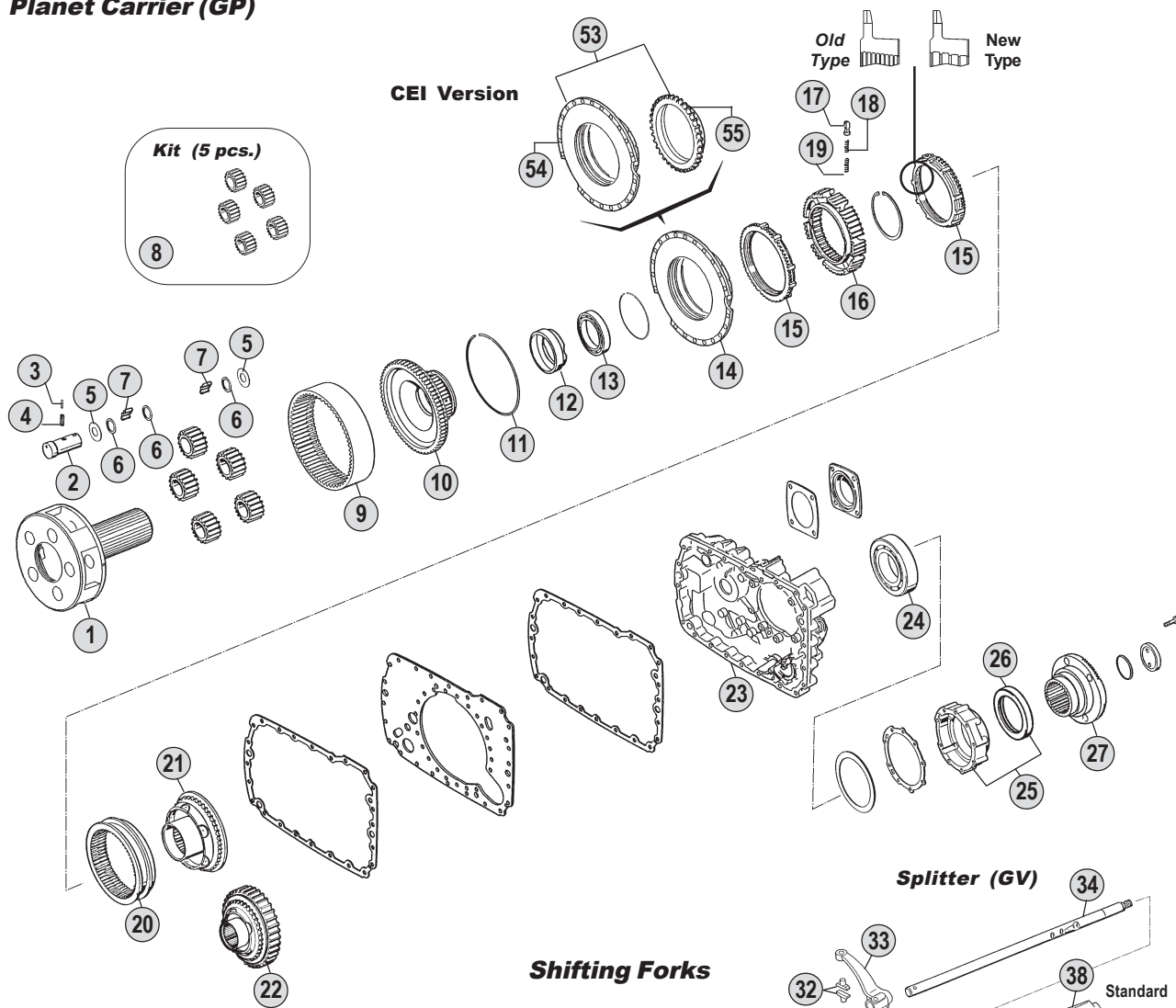
016 / B

All original equipment manufacturers numbers, symbols, pictures, models and description used in this catalogue are for reference only, and it is not implied that any part listed is the product of these manufactures.  
Tutti i nostri particolari non sono originali ma con essi intercambiabili. I riferimenti originali, le figure, i modelli sono esposti a semplice titolo indicativo. La nostra produzione riporta il nostro marchio.

Suitable To : **ZF**

**16S151 - 16S221**

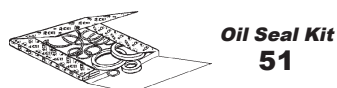
**Planet Carrier (GP)**



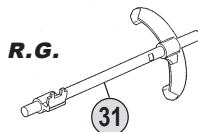
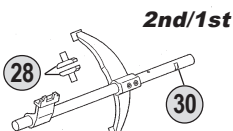
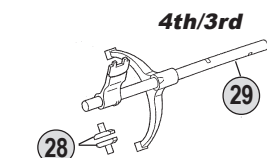
**Springs & Slides Kits**

|               |               |               |
|---------------|---------------|---------------|
| x 3           | x 6           | x 9           |
| x 3           | x 6           | x 9           |
| x 3           | x 6           | x 9           |
| <b>Kit 48</b> | <b>Kit 49</b> | <b>Kit 50</b> |

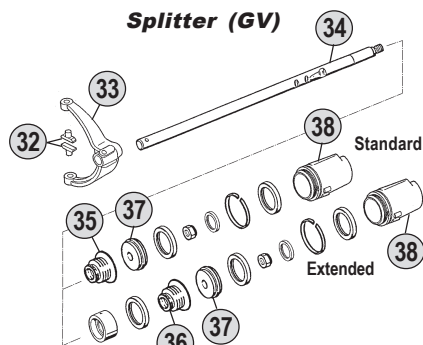
**Kits**



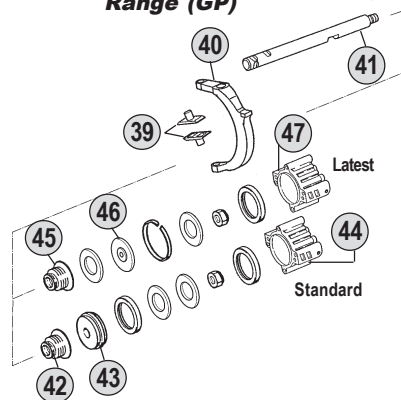
**Shifting Forks**



**Splitter (GV)**



**Range (GP)**



**Ratios**

|               |               |                 |                 |                 |               |
|---------------|---------------|-----------------|-----------------|-----------------|---------------|
| <b>16S151</b> | A: 13,80-0,84 | B: 13,85 - 0,84 | C: 13,86 - 0,84 | D: 16,47 - 1,00 | E: 16,53-1,00 |
| <b>16S221</b> | A: 13,80-0,84 | B: --           | C: 13,86 - 0,84 | D: 16,47 - 1,00 | E: -          |



All original equipment manufacturers' numbers, symbols, pictures, models and description used in this catalogue are for reference only, and it is not implied that any part listed is the product of these manufactures. Tutti i nostri particolari non sono originali ma con essi intercambiabili. I riferimenti originali, le figure, i modelli sono esposti a semplice titolo indicativo. La nostra produzione riporta il nostro marchio.

| Fig. | O.E.M. Reference |              | Description   | Q.ty                    | Note | Ratio      |            |               |               |  |  |
|------|------------------|--------------|---------------|-------------------------|------|------------|------------|---------------|---------------|--|--|
|      | CEI no.          | ZF no.       |               |                         |      |            | R.V.I. no. | 16S151 (1315) | 16S221 (1316) |  |  |
| 27   |                  | 1297 333 110 | 50 01 843 761 | Output Flange           | 1    | D.180-4.H. | ●          |               |               |  |  |
| 27   |                  | 1316 338 002 | 50 01 853 684 | Output Flange           | 1    | D.180-4.H. | ●          |               |               |  |  |
| 27   |                  | 1312 333 018 |               | Output Flange           | 1    | D.200-4.H. | ●          |               |               |  |  |
| 27   |                  | 1316 338 003 |               | Output Flange           | 1    | D.200-4.H. | ●          |               |               |  |  |
| 28   | <b>141.163</b>   | 1297 306 120 | 50 01 831 828 | Slide                   | 2    | Old Type   | ●          | ●             |               |  |  |
| 28   | <i>141.168</i>   | 1316 306 015 | 50 01 859 283 | Slide                   | 2    | New Type   | ●          | ●             |               |  |  |
| 29   |                  | 1315 206 013 | 50 01 842 949 | Fork                    | 1    | Old Type   | ●          |               |               |  |  |
| 29   |                  | 1315 206 055 | 50 01 859 285 | Fork                    | 1    | New Type   | ●          |               |               |  |  |
| 29   |                  | 1315 206 024 |               | Fork                    | 1    | Old Type   | ●          |               |               |  |  |
| 29   |                  | 1315 206 056 |               | Fork                    | 1    | New Type   | ●          |               |               |  |  |
| 29   |                  | 1316 206 018 | 50 01 848 888 | Fork                    | 1    | Old Type   |            | ●             |               |  |  |
| 29   |                  | 1316 206 037 | 50 01 860 002 | Fork                    | 1    | New Type   |            | ●             |               |  |  |
| 29   |                  | 1316 206 017 |               | Fork                    | 1    | Old Type   |            | ●             |               |  |  |
| 29   |                  | 1316 206 038 |               | Fork                    | 1    | New Type   |            | ●             |               |  |  |
| 30   |                  | 1315 206 046 | 50 01 842 947 | Fork                    | 1    | Old Type   | ●          |               |               |  |  |
| 30   |                  | 1315 206 052 | 50 01 859 282 | Fork                    | 1    | New Type   | ●          |               |               |  |  |
| 30   |                  | 1315 206 047 |               | Fork                    | 1    | Old Type   | ●          |               |               |  |  |
| 30   |                  | 1315 206 053 |               | Fork                    | 1    | New Type   | ●          |               |               |  |  |
| 30   |                  | 1316 206 025 | 50 01 849 679 | Fork                    | 1    | Old Type   |            | ●             |               |  |  |
| 30   |                  | 1316 206 033 | 50 01 860 000 | Fork                    | 1    | New Type   |            | ●             |               |  |  |
| 30   |                  | 1316 206 026 |               | Fork                    | 1    | Old type   |            | ●             |               |  |  |
| 30   |                  | 1316 206 034 |               | Fork                    | 1    | New Type   |            | ●             |               |  |  |
| 30   |                  | 1316 206 027 |               | Fork                    | 1    | Old Type   |            | ●             |               |  |  |
| 30   |                  | 1316 206 035 |               | Fork                    | 1    | New Type   |            | ●             |               |  |  |
| 31   |                  | 1315 206 003 |               | Fork                    | 1    |            | ●          |               |               |  |  |
| 31   |                  | 1315 206 023 | 50 01 842 950 | Fork                    | 1    |            | ●          |               |               |  |  |
| 31   |                  | 1316 206 013 | 50 01 848 889 | Fork                    | 1    |            |            | ●             |               |  |  |
| 31   |                  | 1316 206 014 |               | Fork                    | 1    |            |            | ●             |               |  |  |
| 32   | <b>141.163</b>   | 1297 306 120 | 50 01 831 828 | Slide                   | 2    | Old Type   | ●          | ●             |               |  |  |
| 32   | <i>141.168</i>   | 1316 306 015 | 50 01 859 283 | Slide                   | 2    | New Type   | ●          | ●             |               |  |  |
| 33   |                  | 1315 312 017 | 50 01 843 023 | Fork                    | 1    | Old Type   | ●          | ●             |               |  |  |
| 33   |                  | 1315 312 074 |               | Fork                    | 1    | New Type   | ●          | ●             |               |  |  |
| 34   |                  | 1315 312 049 | 50 01 843 022 | Rod                     | 1    | Standard   | ●          |               |               |  |  |
| 34   |                  | 1315 312 022 |               | Rod                     | 1    | Extended   | ●          |               |               |  |  |
| 34   |                  | 1316 312 016 | 50 01 848 894 | Rod                     | 1    | Standard   |            | ●             |               |  |  |
| 34   |                  | 1316 312 008 |               | Rod                     | 1    | Extended   |            | ●             |               |  |  |
| 35   |                  | 0750 112 131 | 50 01 843 024 | Cap Collar D.25x40x15   | 1    | Standard   | ●          | ●             |               |  |  |
| 36   | <i>139.331</i>   | 0750 112 034 | 50 00 289 801 | Cap Collar D.25x38x14,2 | 1    | Extended   | ●          | ●             |               |  |  |
| 37   |                  | 1315 312 020 | 50 01 843 025 | Piston                  | 1    |            | ●          | ●             |               |  |  |
| 38   |                  | 1315 312 048 | 50 01 843 028 | Cylinder                | 1    |            | ●          |               |               |  |  |
| 38   |                  | 1316 312 015 | 50 01 848 895 | Cylinder                | 1    |            |            | ●             |               |  |  |
| 39   | <b>141.085</b>   | 1296 334 004 | 50 00 289 841 | Bronze Slide            | 2    |            | ●          | ●             |               |  |  |
| 40   |                  | 1315 334 039 | 50 01 843 074 | Fork                    | 1    |            | ●          | ●             |               |  |  |
| 41   |                  | 1315 334 058 | 50 01 855 100 | Rod                     | 1    |            | ●          |               |               |  |  |
| 41   |                  | 1316 334 010 | 50 01 855 186 | Rod                     | 1    |            |            | ●             |               |  |  |

Notes

Date

03 / 2006

Table

016 / B

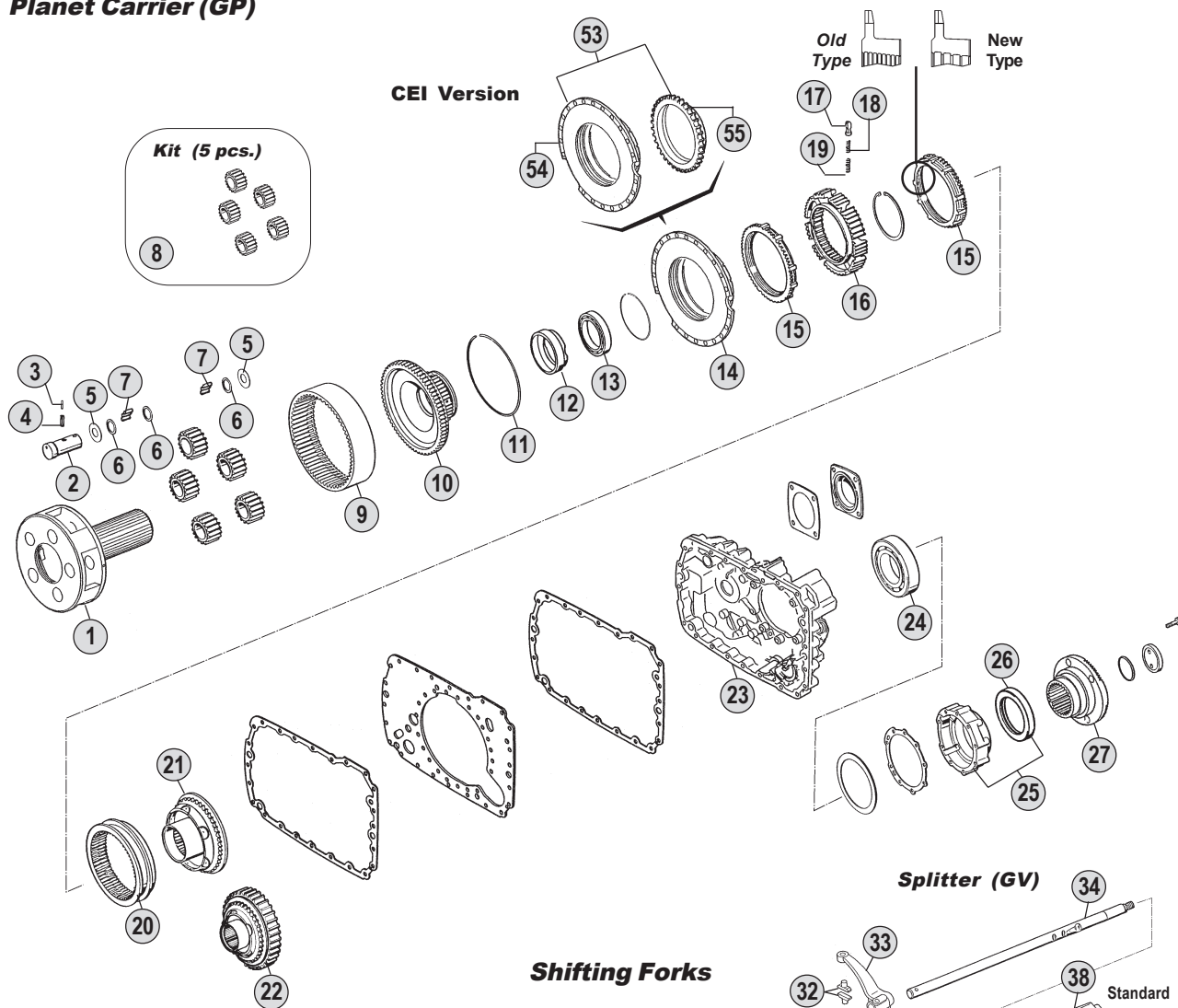
All original equipment manufacturers numbers, symbols, pictures, models and description used in this catalogue are for reference only, and it is not implied that any part listed is the product of these manufactures.  
Tutti i nostri particolari non sono originali ma con essi intercambiabili. I riferimenti originali, le figure, i modelli sono esposti a semplice titolo indicativo. La nostra produzione riporta il nostro marchio.



Suitable To : **ZF**

**16S151 - 16S221**

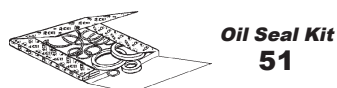
**Planet Carrier (GP)**



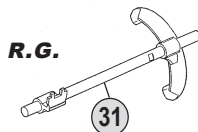
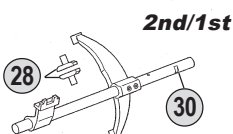
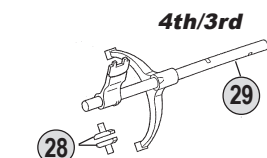
**Springs & Slides Kits**

|               |               |               |
|---------------|---------------|---------------|
| x 3           | x 6           | x 9           |
| x 3           | x 6           | x 9           |
| x 3           | x 6           | x 9           |
| <b>Kit 48</b> | <b>Kit 49</b> | <b>Kit 50</b> |

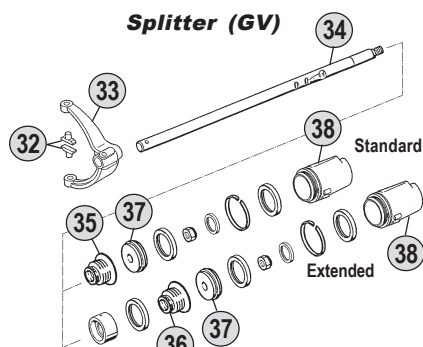
**Kits**



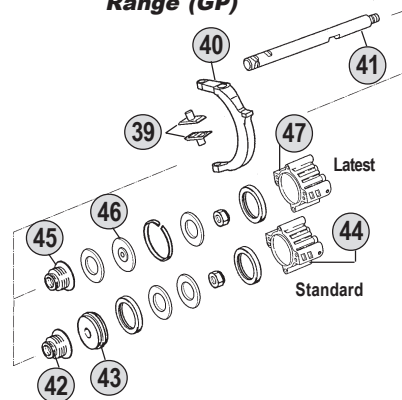
**Shifting Forks**



**Splitter (GV)**



**Range (GP)**



**Ratios**

|               |               |                 |                 |                 |               |
|---------------|---------------|-----------------|-----------------|-----------------|---------------|
| <b>16S151</b> | A: 13,80-0,84 | B: 13,85 - 0,84 | C: 13,86 - 0,84 | D: 16,47 - 1,00 | E: 16,53-1,00 |
| <b>16S221</b> | A: 13,80-0,84 | B: --           | C: 13,86 - 0,84 | D: 16,47 - 1,00 | E: -          |



All original equipment manufacturers' numbers, symbols, pictures, models and description used in this catalogue are for reference only, and it is not implied that any part listed is the product of these manufactures. Tutti i nostri particolari non sono originali ma con essi intercambiabili. I riferimenti originali, le figure, i modelli sono esposti a semplice titolo indicativo. La nostra produzione riporta il nostro marchio.





suitable to :

**Z.F.****EcoSplit III****From 16S151 to 16S251****Planetary Gear with HELICAL TEETH****Application**

|                 | <b>16S151</b> | <b>16S181</b> | <b>16S221</b> | <b>16S251</b> |
|-----------------|---------------|---------------|---------------|---------------|
|                 | (1315)        | (1316)        | (1316)        | (1316)        |
| <b>MERCEDES</b> |               |               |               |               |
| <b>MAN</b>      |               |               |               |               |
| <b>IVECO</b>    |               |               |               |               |
| <b>RVI</b>      |               |               |               |               |
| <b>DAF</b>      |               |               |               |               |
| <b>VOLVO</b>    |               |               |               |               |

**ECO III**  
From 16S151  
To 16S251

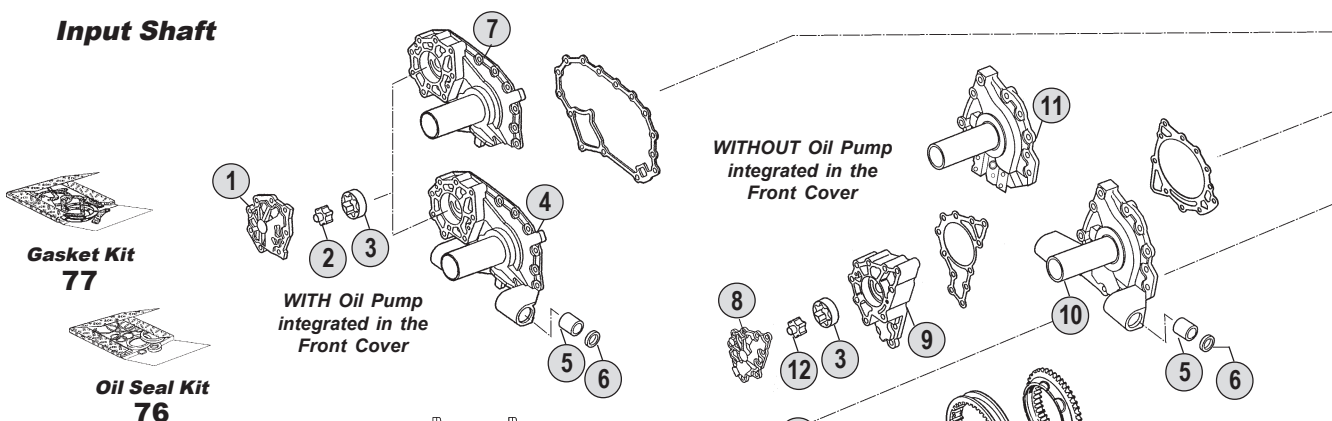
**Ratios**

|               | <b>R.13,74-0,84</b> | <b>R.13,80-0,84</b> | <b>R.16,41-1,00</b> |  |  |
|---------------|---------------------|---------------------|---------------------|--|--|
|               | <b>A</b>            | <b>B</b>            | <b>C</b>            |  |  |
| <b>16S151</b> |                     |                     |                     |  |  |
| <b>16S181</b> |                     |                     |                     |  |  |
| <b>16S221</b> |                     |                     |                     |  |  |
| <b>16S251</b> |                     |                     |                     |  |  |

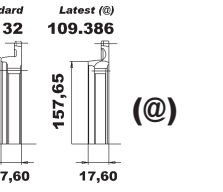
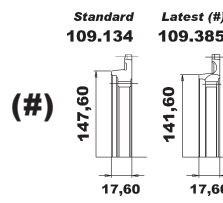
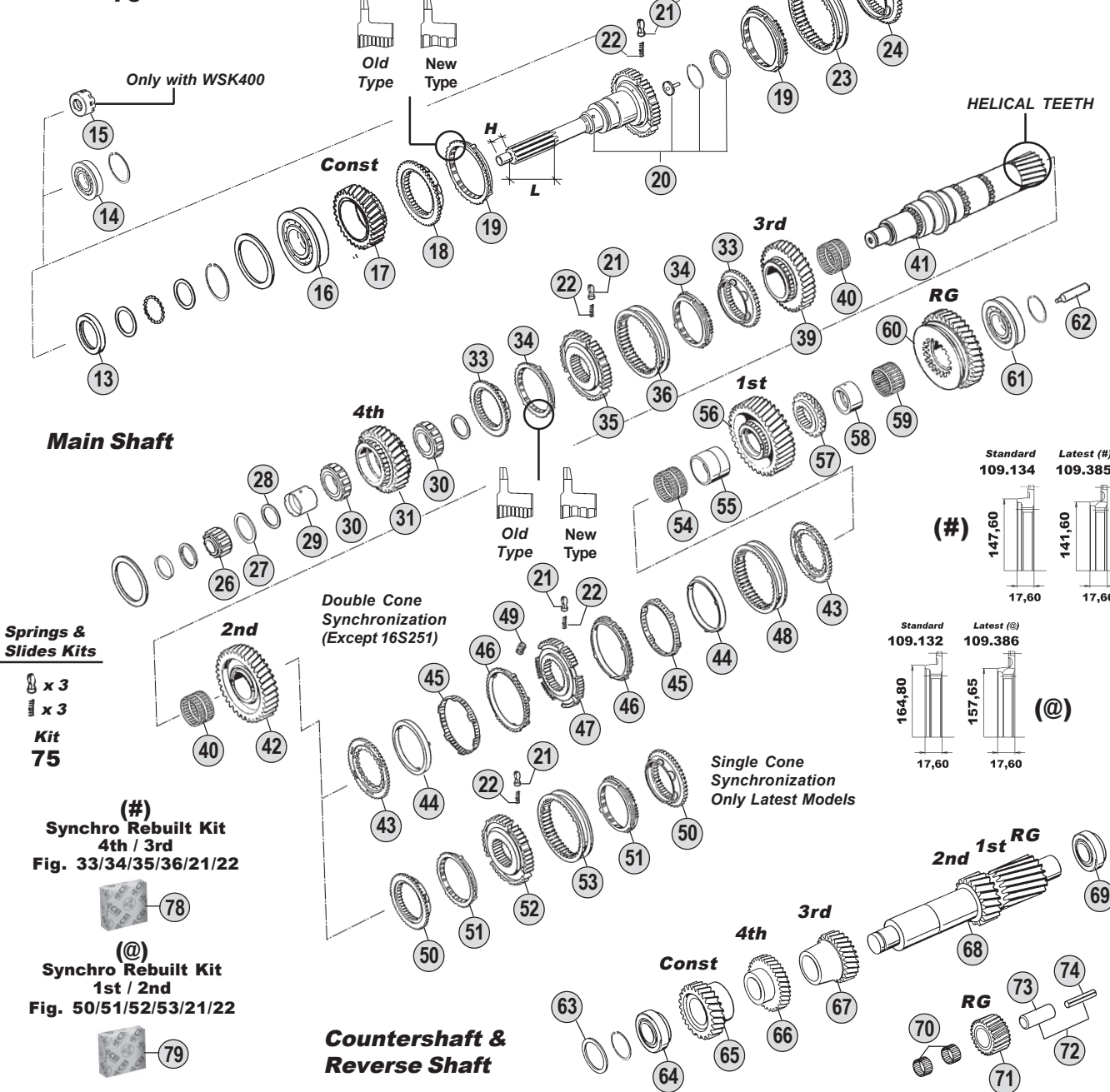
Suitable To : **ZF**

**16S151 - 16S181 - 16S221 - 16S251**

**Input Shaft**



**Main Shaft**



**Ratios**

|        |               |                 |                 |       |       |
|--------|---------------|-----------------|-----------------|-------|-------|
| 16S151 | A: 13,74-0,84 | B: 13,80 - 0,84 | C: 16,41 - 1,00 | D: -- | E: -- |
| 16S181 | A: --         | B: 13,80 - 0,84 | C: 16,41 - 1,00 | D: -- | E: -- |
| 16S221 | A: 13,74-0,84 | B: 13,80 - 0,84 | C: 16,41 - 1,00 | D: -- | E: -- |
| 16S251 | A: --         | B: 13,80 - 0,84 | C: --           | D: -- | E: -- |



All original equipment manufacturers' numbers, symbols, pictures, models and description used in this catalogue are for reference only, and it is not implied that any part listed is the product of these manufactures. Tutti i nostri particolari non sono originali ma con essi intercambiabili. I riferimenti originali, le figure, i modelli sono esposti a semplice titolo indicativo. La nostra produzione riporta il nostro marchio.

16S151 (1315)  
16S181 (1316)  
16S221 (1316)  
16S251 (1316)

| Fig. | CEI no. | O.E.M. Reference |               | Description            | Q.ty | Note                 | Ratio |               |               |               |               |
|------|---------|------------------|---------------|------------------------|------|----------------------|-------|---------------|---------------|---------------|---------------|
|      |         | ZF no.           | R.V.I. no.    |                        |      |                      |       | 16S151 (1315) | 16S181 (1316) | 16S221 (1316) | 16S251 (1316) |
| 1    |         | 1315 302 013     |               | Cover                  | 1    |                      |       | ●             | ●             |               |               |
| 2    |         | 1315 202 014     |               | Rotor                  | 1    |                      |       | ●             | ●             |               |               |
| 3    |         | 1315 303 027     | 50 01 842 921 | Oil Pump Housing       | 1    |                      |       | ●             | ●             | ●             | ●             |
| 4    |         | 1315 302 057     |               | Front Cover            | 1    |                      |       | ●             | ●             |               |               |
| 5    |         | 0730 260 398     | 50 01 842 901 | Bush                   | 4    |                      |       | ●             | ●             | ●             | ●             |
| 6    |         | 0501 312 738     | 50 01 842 902 | Oil Seal 30x37x4       | 4    |                      |       | ●             | ●             | ●             | ●             |
| 7    |         | 1315 302 045     |               | Front Cover            | 1    |                      |       | ●             | ●             |               |               |
| 7    |         | 1315 302 047     |               | Front Cover            | 1    |                      |       | ●             | ●             |               |               |
| 8    |         | 1315 302 120     | 50 01 842 922 | Cover                  | 1    |                      |       | ●             | ●             | ●             | ●             |
| 9    |         | 1315 302 121     | 50 01 842 919 | Housing                | 1    |                      |       | ●             | ●             | ●             | ●             |
| 10   |         | 1315 202 055     |               | Front Cover            | 1    |                      |       | ●             | ●             | ●             |               |
| 10   |         | 1315 202 058     | 50 01 848 212 | Front Cover            | 1    |                      |       | ●             | ●             |               |               |
| 10   |         | 1315 202 061     |               | Front Cover            | 1    |                      |       | ●             | ●             |               |               |
| 10   |         | 1315 202 065     | 50 01 853 290 | Front Cover            | 1    |                      |       | ●             | ●             | ●             |               |
| 10   |         | 1315 202 060     | 50 01 850 719 | Front Cover            | 1    | With WSK400          |       | ●             | ●             |               |               |
| 11   |         | 1315 302 075     |               | Front Cover            | 1    |                      |       | ●             | ●             | ●             |               |
| 11   |         | 1315 302 136     | 50 01 851 531 | Front Cover            | 1    |                      |       | ●             | ●             | ●             |               |
| 12   |         | 1314 202 039     | 50 01 842 920 | Rotor                  | 1    |                      |       | ●             | ●             | ●             | ●             |
| 13   | 139.754 | 0734 310 386     | 50 01 847 325 | Oil Seal 55x75x8       | 1    |                      |       | ●             | ●             | ●             | ●             |
| 13   |         | 0734 310 104     | 50 00 821 194 | Oil Seal 52x68x8       | 1    | (1)                  |       | ●             | ●             |               |               |
| 13   |         | 0734 319 514     | 50 01 843 315 | Oil Seal 52x72x8       | 1    | (2)                  |       | ●             | ●             |               |               |
| 14   |         | 0635 450 098     | 50 00 293 041 | Bearing 52x90x33       | 1    | (2)                  |       | ●             | ●             | ●             |               |
| 15   |         | 4130 309 063     |               | Disk                   | 1    | (1)                  |       | ●             | ●             |               |               |
| 16   | 130.518 | 0750 117 732     | 50 01 848 210 | Bearing D.85x150x30,50 | 1    |                      |       | ●             | ●             | ●             | ●             |
| 17   | 145.513 | 1315 302 173     | 50 01 855 526 | Constant Gear 34 T     | 1    |                      | A     | ●             |               |               |               |
| 17   | 145.556 | 1315 302 158     | 50 01 848 208 | Constant Gear 35 T     | 1    |                      | B     | ●             |               |               |               |
| 17   | 145.553 | 1315 302 157     | 50 01 856 589 | Constant Gear 30 T     | 1    |                      | C     | ●             |               |               |               |
| 17   | 145.561 | 1316 302 057     | 50 01 854 270 | Constant Gear 35 T     | 1    |                      | B     |               | ●             |               |               |
| 17   | 145.483 | 1316 302 066     | 50 01 848 728 | Constant Gear 30 T     | 1    |                      | C     |               | ●             |               |               |
| 17   | 145.487 | 1316 302 065     |               | Constant Gear 34 T     | 1    |                      | A     |               |               | ●             |               |
| 17   | 145.554 | 1316 302 067     | 50 01 850 725 | Constant Gear 35 T     | 1    |                      | B     |               |               | ●             | ●             |
| 17   | 145.483 | 1316 302 066     | 50 01 848 728 | Constant Gear 30 T     | 1    |                      | C     |               |               | ●             |               |
| 18   | 109.134 | 1312 304 027     | 50 01 831 793 | Synchronizer Cone      | 1    |                      |       | ●             | ●             | ●             | ●             |
| 19   | 119.119 | 1297 304 402     | 50 01 831 795 | Synchronizer Ring      | 2    | Old Type             |       | ●             | ●             | ●             | ●             |
| 19   | 119.167 | 1297 304 484     | 50 01 845 809 | Synchronizer Ring      | 2    | New Type             |       | ●             | ●             | ●             | ●             |
| 20   | 190.304 | 1315 202 037     | 50 01 848 274 | Input Shaft            | 1    | L=125 H=31,5         |       | ●             |               |               |               |
| 20   | 190.315 | 1315 202 040     |               | Input Shaft            | 1    | L=102 H=32           |       | ●             |               |               |               |
| 20   |         | 1315 202 048     |               | Input Shaft            | 1    | With WSK400          |       | ●             |               |               |               |
| 20   | 190.317 | 1315 221 002     | 50 01 848 275 | Input Shaft            | 1    | NMV221 (Clutch PTO)  |       | ●             |               |               |               |
| 20   | 190.303 | 1316 202 025     | 50 01 853 606 | Input Shaft            | 1    | L=134 H=32           |       |               | ●             | ●             | ●             |
| 20   | 190.300 | 1316 202 026     |               | Input Shaft            | 1    |                      |       |               | ●             | ●             |               |
| 20   | 190.310 | 1316 202 033     | 50 01 850 724 | Input Shaft            | 1    | L=63 H=46,5 / WSK400 |       |               |               | ●             |               |
| 20   |         | 1316 202 038     | 50 01 848 727 | Input Shaft            | 1    |                      |       |               | ●             | ●             |               |
| 20   |         | 1316 221 017     |               | Input Shaft            | 1    | NMV221 (Clutch PTO)  |       |               | ●             | ●             |               |
| 21   | 160.189 | 1297 304 436     | 50 00 289 398 | Pressure Piece         | 3    |                      |       | ●             | ●             | ●             | ●             |

## Notes

- (1) Only for Input S. 1315 202 048-1316 202 033 (2) Only for Input S. 1315 221 002-1316 221 017  
 (3) Old Type. Replaced by 1 pc. fig. 73 + 1 pc. fig. 74  
 (\*) New Models only. **DO NO MIX** Single Cone Synchro. with Double Cone Synchro.  
 (#) Latest Synchro gen. **DO NO MIX** the two different version. To update the previous one use the **synchro rebuilt kit fig. 79**  
 (@) Latest Synchro gen. **DO NO MIX** the two different version. To update the previous one use the **synchro rebuilt kit fig. 80**

## Date

03 / 2006

## Table

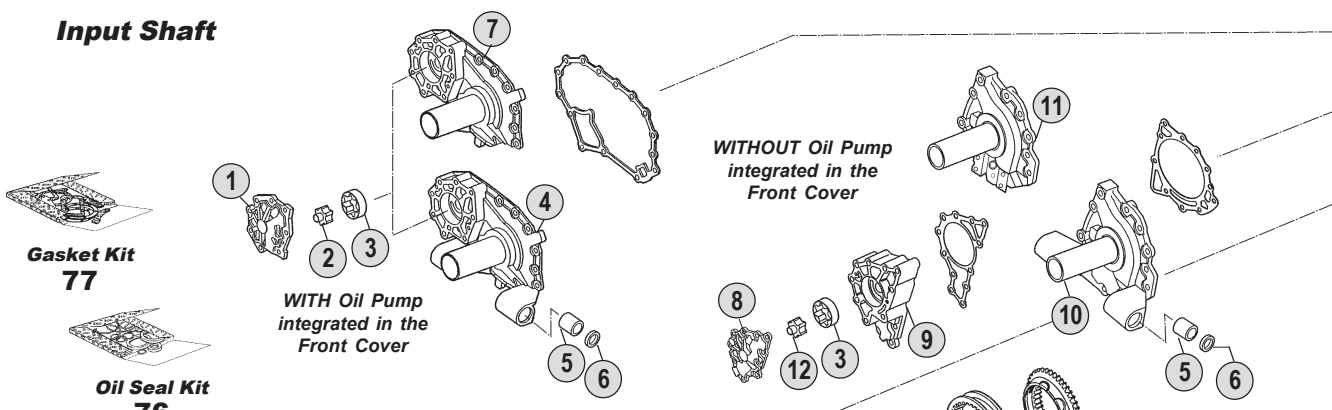
017 / A

**ECO III**  
From 16S151  
To 16S251

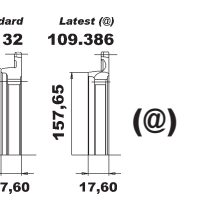
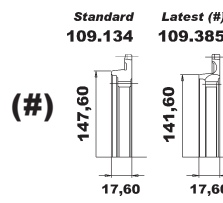
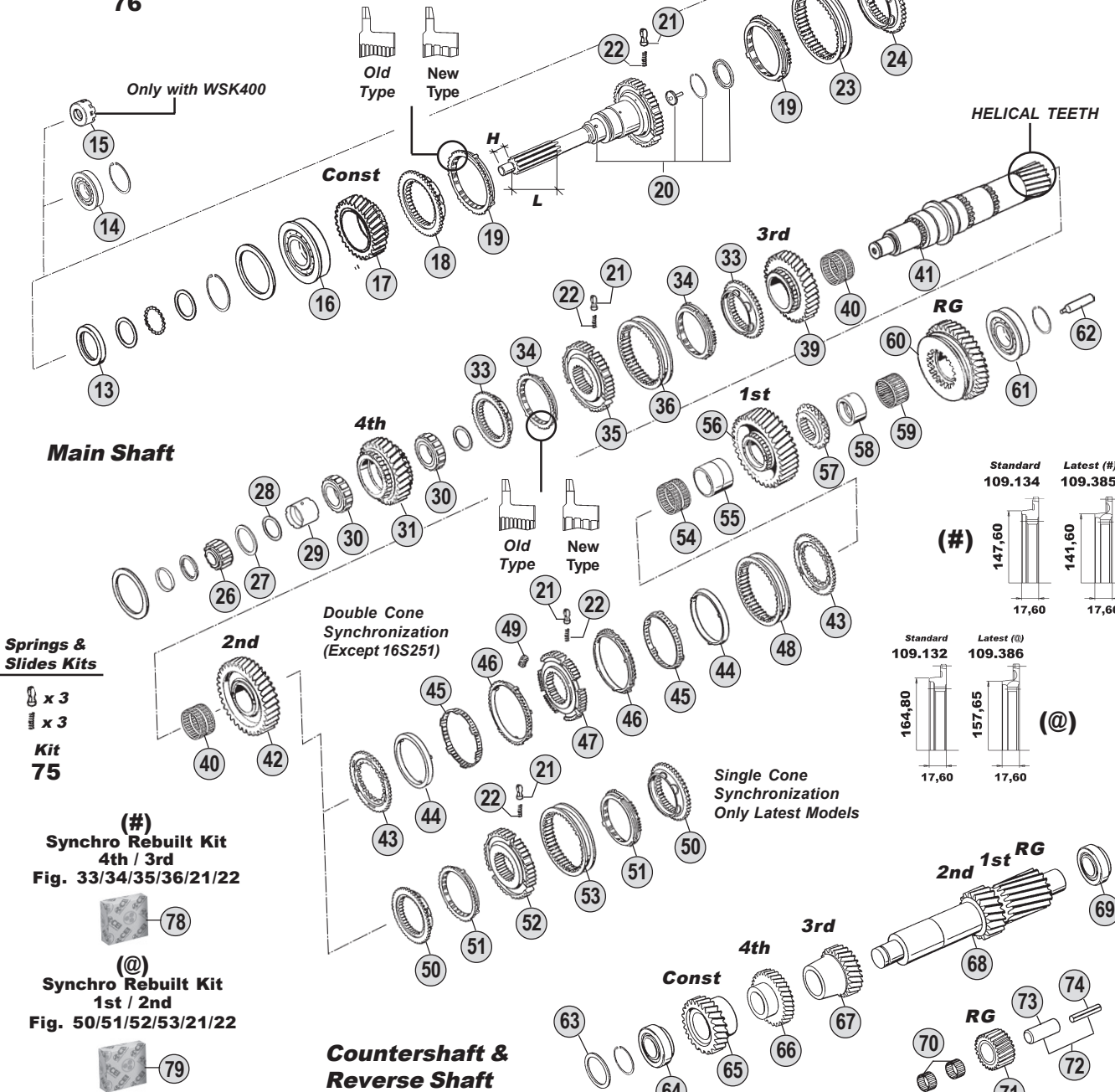
Suitable To : **ZF**

**16S151 - 16S181 - 16S221 - 16S251**

**Input Shaft**



**Main Shaft**



**Springs & Slides Kits**

x 3  
x 3  
**Kit 75**

(#)  
**Syncho Rebuilt Kit**  
4th / 3rd  
Fig. 33/34/35/36/21/22



(@)  
**Syncho Rebuilt Kit**  
1st / 2nd  
Fig. 50/51/52/53/21/22



**Countershaft & Reverse Shaft**

**Ratios**

|               |               |                 |                 |       |       |
|---------------|---------------|-----------------|-----------------|-------|-------|
| <b>16S151</b> | A: 13,74-0,84 | B: 13,80 - 0,84 | C: 16,41 - 1,00 | D: -- | E: -- |
| <b>16S181</b> | A: --         | B: 13,80 - 0,84 | C: 16,41 - 1,00 | D: -- | E: -- |
| <b>16S221</b> | A: 13,74-0,84 | B: 13,80 - 0,84 | C: 16,41 - 1,00 | D: -- | E: -- |
| <b>16S251</b> | A: --         | B: 13,80 - 0,84 | C: --           | D: -- | E: -- |



All original equipment manufacturers' numbers, symbols, pictures, models and description used in this catalogue are for reference only, and it is not implied that any part listed is the product of these manufactures. Tutti i nostri particolari non sono originali ma con essi intercambiabili. I riferimenti originali, le figure, i modelli sono esposti a semplice titolo indicativo. La nostra produzione riporta il nostro marchio.

16S151 (1315)  
16S181 (1316)  
16S221 (1316)  
16S251 (1316)

| Fig. | CEI no. | O.E.M. Reference |               | Description             | Q.ty | Note      | Ratio |               |               |               |               |  |  |
|------|---------|------------------|---------------|-------------------------|------|-----------|-------|---------------|---------------|---------------|---------------|--|--|
|      |         | ZF no.           | R.V.I. no.    |                         |      |           |       | 16S151 (1315) | 16S181 (1316) | 16S221 (1316) | 16S251 (1316) |  |  |
| 22   | 156.140 | 0732 040 409     | 50 00 242 857 | Spring D.6,50x23,50     | 3    |           |       | ●             | ●             | ●             | ●             |  |  |
| 23   | 154.135 | 1310 304 202     | 50 01 848 744 | Sliding Sleeve          | 1    |           |       | ●             | ●             | ●             | ●             |  |  |
| 24   | 109.133 | 1312 304 056     | 50 01 831 792 | Synchronizer Cone       | 1    |           |       | ●             | ●             | ●             | ●             |  |  |
| 26   | 137.150 | 0750 117 232     | 50 01 823 861 | Roller Cage D.42x40,30  | 1    |           |       | ●             | ●             | ●             | ●             |  |  |
| 27   |         | 1315 304 048     | 50 01 854 418 | Ring                    | 1    | S.8,00 mm |       | ●             | ●             | ●             | ●             |  |  |
| 27   |         | 1315 304 043     | 50 01 842 940 | Ring                    | 1    | S.7,50 mm |       | ●             | ●             | ●             | ●             |  |  |
| 28   | 169.776 | 0750 101 158     | 50 01 851 626 | Thrust Washer 81,5x5    | 1    |           |       | ●             | ●             | ●             | ●             |  |  |
| 29   | 117.321 | 0750 119 125     | 50 01 851 627 | Bush D.67x77x54,1       | 1    |           |       | ●             |               |               |               |  |  |
| 29   | 117.320 | 0750 119 124     | 50 01 853 233 | Bush D.67x77x66,10      | 1    |           |       |               | ●             | ●             | ●             |  |  |
| 30   | 137.164 | 0750 115 534     | 50 01 851 628 | Roller Cage D.77x101x29 | 2    |           |       | ●             |               |               |               |  |  |
| 30   | 137.136 | 0750 115 531     | 50 01 853 234 | Roller Cage D.77x101x29 | 2    |           |       |               | ●             | ●             | ●             |  |  |
| 31   | 146.431 | 1315 304 017     | 50 01 842 938 | Gear 4th Speed 30 T     | 1    |           | A     | ●             |               |               |               |  |  |
| 31   | 146.320 | 1315 304 089     | 50 01 848 238 | Gear 4th Speed 32 T     | 1    |           | BC    | ●             |               |               |               |  |  |
| 31   | 146.410 | 1316 304 007     |               | Gear 4th Speed 30 T     | 1    |           | A     |               |               | ●             |               |  |  |
| 31   | 146.401 | 1316 304 103     | 50 01 848 865 | Gear 4th Speed 32 T     | 1    |           | BC    |               | ●             | ●             | ●             |  |  |
| 33   | 109.134 | 1312 304 027     | 50 01 831 793 | Synchronizer Cone       | 2    |           |       | ●             | ●             | ●             | ●             |  |  |
| 33   | 109.385 | 1316 304 159     |               | Synchronizer Cone       | 2    |           | (#)   | ●             | ●             | ●             | ●             |  |  |
| 34   | 119.119 | 1297 304 402     | 50 01 831 795 | Synchronizer Ring       | 2    | Old Type  |       | ●             | ●             | ●             | ●             |  |  |
| 34   | 119.167 | 1297 304 484     | 50 01 845 809 | Synchronizer Ring       | 2    | New Type  |       | ●             | ●             | ●             | ●             |  |  |
| 34   | 119.217 | 1316 304 149     |               | Synchronizer Ring       | 2    |           | (#)   | ●             | ●             | ●             | ●             |  |  |
| 35   | 157.180 | 1312 304 052     | 50 01 831 818 | Synchronizer Hub        | 1    |           |       | ●             | ●             | ●             | ●             |  |  |
| 35   | 157.227 | 1316 304 162     |               | Synchronizer Hub        | 1    |           | (#)   | ●             | ●             | ●             | ●             |  |  |
| 36   | 154.135 | 1310 304 202     | 50 01 848 744 | Sliding Sleeve          | 1    |           |       | ●             | ●             | ●             | ●             |  |  |
| 36   | 154.357 | 1315 304 135     |               | Sliding Sleeve          | 1    |           | (#)   | ●             | ●             | ●             | ●             |  |  |
| 39   | 145.514 | 1315 304 028     | 50 01 842 937 | Gear 3rd Speed 32 T     | 1    |           | A     | ●             |               |               |               |  |  |
| 39   | 145.456 | 1315 304 027     | 50 01 848 236 | Gear 3rd Speed 34 T     | 1    |           | BC    | ●             |               |               |               |  |  |
| 39   | 145.484 | 1316 304 094     | 50 01 853 614 | Gear 3rd Speed 34 T     | 1    |           | BC    |               | ●             |               |               |  |  |
| 39   | 145.488 | 1316 304 009     |               | Gear 3rd Speed 32 T     | 1    |           | A     |               |               | ●             |               |  |  |
| 39   | 145.473 | 1316 304 008     | 50 01 848 863 | Gear 3rd Speed 34 T     | 1    |           | BC    |               |               | ●             |               |  |  |
| 39   | 145.555 | 1316 304 066     | 50 01 854 417 | Gear 3rd Speed 34 T     | 1    |           | B     |               |               |               | ●             |  |  |
| 40   | 137.137 | 0735 321 087     | 50 01 831 801 | Needle Cage D.92x100x53 | 2    |           |       | ●             |               |               |               |  |  |
| 40   | 137.138 | 0750 115 303     | 50 01 848 858 | Needle Cage D.92x100x63 | 2    |           |       |               | ●             | ●             | ●             |  |  |
| 41   | 103.138 | 1315 304 131     | 50 01 851 624 | Main Shaft              | 1    |           |       | ●             |               |               |               |  |  |
| 41   | 103.130 | 1316 304 132     | 50 01 853 190 | Main Shaft              | 1    |           |       |               | ●             | ●             |               |  |  |
| 41   | 103.143 | 1316 304 131     | 50 01 584 403 | Main Shaft              | 1    |           |       |               |               |               | ●             |  |  |
| 42   | 145.455 | 1315 304 026     | 50 01 842 924 | Gear 2nd Speed 37 T     | 1    |           | A     | ●             |               |               |               |  |  |
| 42   | 145.454 | 1315 304 025     | 50 01 848 221 | Gear 2nd Speed 38 T     | 1    |           | BC    | ●             |               |               |               |  |  |
| 42   | 145.515 | 1316 304 003     |               | Gear 2nd Speed 37 T     | 1    |           | A     |               |               | ●             |               |  |  |
| 42   | 145.474 | 1316 304 002     | 50 01 848 791 | Gear 2nd Speed 38 T     | 1    |           | BC    |               | ●             | ●             | ●             |  |  |
| 43   | 109.176 | 1312 304 106     | 50 01 832 906 | Synchronizer Cone       | 2    |           |       | ●             | ●             | ●             | ●             |  |  |
| 44   | 119.152 | 1268 304 424     | 50 01 832 907 | Intermediate Ring       | 2    |           |       | ●             | ●             | ●             | ●             |  |  |
| 45   | 119.153 | 1268 304 494     | 50 01 849 668 | Intermediate Cone       | 2    |           |       | ●             | ●             | ●             | ●             |  |  |
| 46   | 119.144 | 1268 304 525     | 50 01 832 976 | Synchronizer Ring       | 2    |           |       | ●             | ●             | ●             | ●             |  |  |
| 47   | 157.181 | 1312 304 158     | 50 01 842 925 | Synchronizer Hub        | 1    |           |       | ●             | ●             | ●             | ●             |  |  |
| 48   | 154.190 | 1310 304 175     | 50 01 847 344 | Sliding Sleeve          | 1    |           |       | ●             | ●             | ●             | ●             |  |  |

## Notes

- (1) Only for Input S. 1315 202 048-1316 202 033 (2) Only for Input S. 1315 221 002-1316 221 017  
 (3) Old Type. Replaced by 1 pc. fig. 73 + 1 pc. fig. 74  
 (\*) New Models only. **DO NO MIX** Single Cone Synchro. with Double Cone Synchro.  
 (#) Latest Synchro gen. **DO NO MIX** the two different version. To update the previous one use the **synchro rebuilt kit fig. 79**  
 (@) Latest Synchro gen. **DO NO MIX** the two different version. To update the previous one use the **synchro rebuilt kit fig. 80**

## Date

03 / 2006

## Table

017 / A

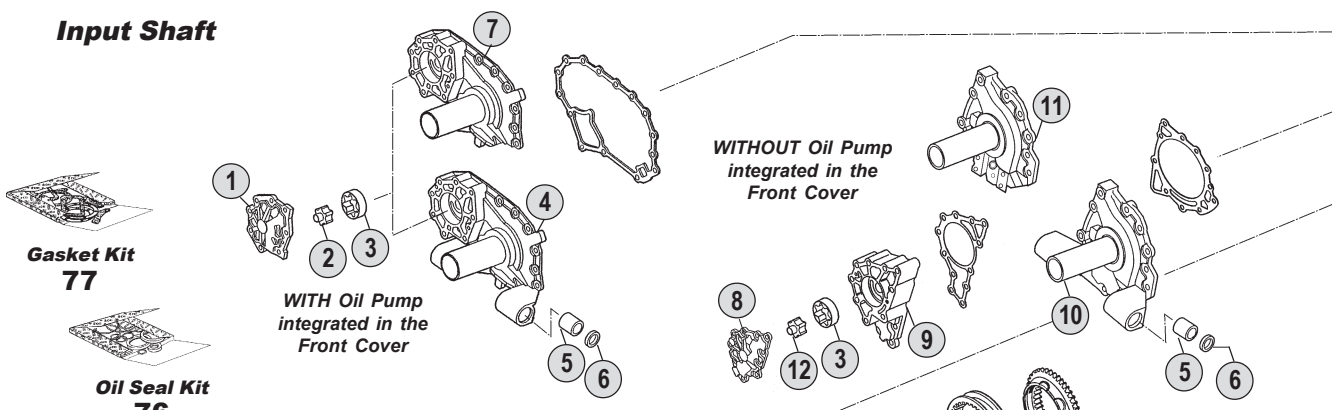
**ECO III**  
From 16S151  
To 16S251



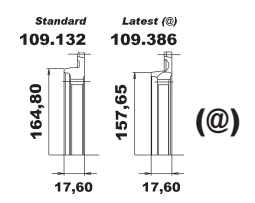
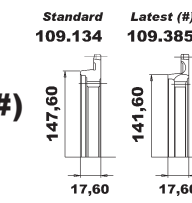
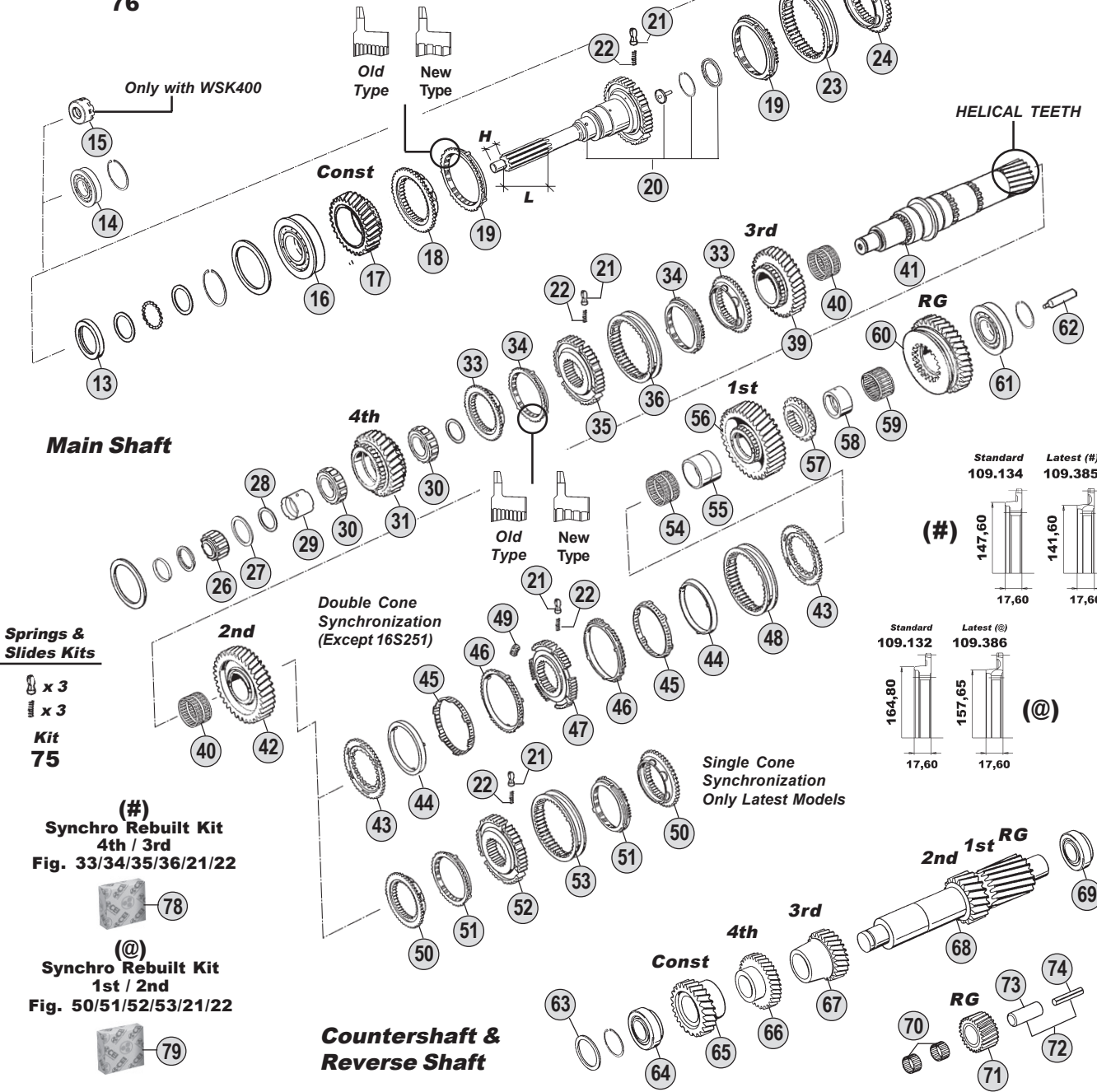
Suitable To : **ZF**

**16S151 - 16S181 - 16S221 - 16S251**

**Input Shaft**



**Main Shaft**



**Springs & Slides Kits**

x 3  
x 3

**Kit 75**

(#)  
**Synchro Rebuilt Kit**  
4th / 3rd  
Fig. 33/34/35/36/21/22



(@)  
**Synchro Rebuilt Kit**  
1st / 2nd  
Fig. 50/51/52/53/21/22



**Countershaft & Reverse Shaft**

**Ratios**

|               |               |                 |                 |       |       |
|---------------|---------------|-----------------|-----------------|-------|-------|
| <b>16S151</b> | A: 13,74-0,84 | B: 13,80 - 0,84 | C: 16,41 - 1,00 | D: -- | E: -- |
| <b>16S181</b> | A: --         | B: 13,80 - 0,84 | C: 16,41 - 1,00 | D: -- | E: -- |
| <b>16S221</b> | A: 13,74-0,84 | B: 13,80 - 0,84 | C: 16,41 - 1,00 | D: -- | E: -- |
| <b>16S251</b> | A: --         | B: 13,80 - 0,84 | C: --           | D: -- | E: -- |



All original equipment manufacturers' numbers, symbols, pictures, models and description used in this catalogue are for reference only, and it is not implied that any part listed is the product of these manufactures. Tutti i nostri particolari non sono originali ma con essi intercambiabili. I riferimenti originali, le figure, i modelli sono esposti a semplice titolo indicativo. La nostra produzione riporta il nostro marchio.

| Fig. | CEI no. | O.E.M. Reference |               | Description               | Q.ty | Note         | Ratio |               |               |               |               |
|------|---------|------------------|---------------|---------------------------|------|--------------|-------|---------------|---------------|---------------|---------------|
|      |         | ZF no.           | R.V.I. no.    |                           |      |              |       | 16S151 (1315) | 16S181 (1316) | 16S221 (1316) | 16S251 (1316) |
| 49   | 156.176 | 1312 304 159     | 50 01 832 974 | Pad                       | 3    |              |       | ●             | ●             | ●             | ●             |
| 50   | 109.132 | 1313 304 009     | 50 01 831 807 | Synchronizer Cone         | 2    | (*)          |       | ●             | ●             | ●             | ●             |
| 50   | 109.386 | 1316 304 156     |               | Synchronizer Cone         | 2    |              | (@)   | ●             | ●             | ●             | ●             |
| 51   | 119.122 | 1297 304 401     | 50 01 831 806 | Synchronizer Ring         | 2    | Old Type (*) |       | ●             | ●             | ●             | ●             |
| 51   | 119.166 | 1297 304 485     | 50 01 853 567 | Synchronizer Ring         | 2    | New Type (*) |       | ●             | ●             | ●             | ●             |
| 51   | 119.218 | 1316 304 150     |               | Synchronizer Ring         | 2    |              | (@)   | ●             | ●             | ●             | ●             |
| 52   | 157.189 | 1313 304 008     | 50 01 831 803 | Synchronizer Hub          | 1    | (*)          |       | ●             | ●             | ●             | ●             |
| 52   | 157.228 | 1316 304 163     |               | Synchronizer Hub          | 1    |              | (@)   | ●             | ●             | ●             | ●             |
| 53   | 154.202 | 1316 304 078     | 50 01 854 408 | Sliding Sleeve            | 1    | (*)          |       | ●             | ●             | ●             | ●             |
| 53   | 154.358 | 1315 304 136     |               | Sliding Sleeve            | 1    |              | (@)   | ●             | ●             | ●             | ●             |
| 54   | 137.160 | 0750 115 325     | 50 01 831 809 | Needle Cage D.96x104x55   | 1    |              |       | ●             |               |               |               |
| 54   | 137.151 | 0750 115 327     | 50 01 848 818 | Needle Cage D.96x104x72   | 1    |              |       |               | ●             | ●             | ●             |
| 55   | 117.294 | 1313 304 038     | 50 01 831 808 | Bush                      | 1    |              |       | ●             |               |               |               |
| 55   | 117.310 | 1312 304 084     | 50 01 848 815 | Bush D.85x96x72           | 1    |              |       |               | ●             | ●             | ●             |
| 56   | 145.453 | 1315 304 014     | 50 01 842 926 | Gear 1st Speed 44 T       | 1    |              | A     | ●             |               |               |               |
| 56   | 145.452 | 1315 304 004     | 50 01 848 226 | Gear 1st Speed 47 T       | 1    |              | BC    | ●             |               |               |               |
| 56   | 145.522 | 1316 304 013     |               | Gear 1st Speed 44 T       | 1    |              | A     |               |               | ●             |               |
| 56   | 145.475 | 1316 304 010     | 50 01 848 819 | Gear 1st Speed 47 T       | 1    |              | BC    |               | ●             | ●             | ●             |
| 57   | 109.144 | 1315 304 018     | 50 01 842 927 | Engaging Ring             | 1    |              |       | ●             |               |               |               |
| 57   | 109.163 | 1312 304 124     | 50 01 848 822 | Engaging Ring             | 1    |              |       |               | ●             | ●             | ●             |
| 58   | 117.293 | 1315 304 132     | 50 01 851 029 | Bush                      | 1    |              |       | ●             |               |               |               |
| 58   | 117.311 | 1316 304 133     | 50 01 854 361 | Bush D.80x90x50           | 1    |              |       |               | ●             | ●             | ●             |
| 59   | 137.162 | 0750 115 324     | 50 01 831 813 | Roller Cage D.90x98x41    | 1    |              |       | ●             |               |               |               |
| 59   | 137.140 | 0750 115 326     | 50 01 848 824 | Roller Cage D.90x98x50    | 1    |              |       |               | ●             | ●             | ●             |
| 60   | 147.124 | 1315 304 013     | 50 01 842 928 | Reverse Gear 42 T         | 1    |              | A     | ●             |               |               |               |
| 60   | 147.123 | 1315 304 006     | 50 01 848 227 | Reverse Gear 44 T         | 1    |              | BC    | ●             |               |               |               |
| 60   | 147.144 | 1316 304 015     |               | Reverse Gear 42 T         | 1    |              | A     |               |               | ●             |               |
| 60   | 147.128 | 1316 304 012     | 50 01 848 825 | Reverse Gear 44 T         | 1    |              | BC    |               | ●             | ●             | ●             |
| 61   | 130.309 | 0750 117 677     | 50 01 842 929 | Bearing D.80x130x36       | 1    |              |       | ●             |               |               |               |
| 61   | 130.304 | 0750 117 678     | 50 01 848 849 | Bearing D.80x140x36,50    | 1    |              |       |               | ●             | ●             | ●             |
| 62   | 188.209 | 1312 304 150     | 50 01 823 850 | Oil Tube                  | 1    |              |       | ●             | ●             | ●             |               |
| 62   |         | 1316 304 093     | 50 01 854 416 | Oil Tube                  | 1    |              |       |               |               |               | ●             |
| 63   |         | 0730 106 917     | 50 01 842 904 | Washer                    | 1    | S.3,00 mm    |       | ●             | ●             | ●             | ●             |
| 63   |         | 0730 101 471     | 50 01 853 305 | Washer                    | 1    | S.2,00 mm    |       | ●             | ●             | ●             | ●             |
| 64   | 130.308 | 0750 117 009     | 50 01 843 170 | Bearing D.49,2x103,1x43,6 | 1    |              |       | ●             | ●             | ●             |               |
| 64   | 130.519 | 0735 371 604     |               | Bearing D.49,2x103,1x43,6 | 1    |              |       |               |               |               | ●             |
| 65   | 146.427 | 1315 303 052     | 50 01 842 916 | Constant Gear 37 T        | 1    |              | A     | ●             |               |               |               |
| 65   | 146.473 | 1315 303 051     | 50 01 848 218 | Constant Gear 32 T        | 1    |              | B     | ●             |               |               |               |
| 65   | 146.367 | 1315 303 008     | 50 01 856 590 | Constant Gear 39 T        | 1    |              | C     | ●             |               |               |               |
| 65   | 146.485 | 1316 303 056     | 50 01 854 274 | Constant Gear 32 T        | 1    |              | B     |               | ●             |               |               |
| 65   | 146.398 | 1316 303 055     | 50 01 853 610 | Constant Gear 39 T        | 1    |              | C     |               | ●             |               |               |
| 65   | 146.407 | 1316 303 031     |               | Constant Gear 37 T        | 1    |              | A     |               |               | ●             |               |
| 65   | 146.469 | 1316 303 064     | 50 01 850 731 | Constant Gear 32 T        | 1    |              | B     |               |               | ●             | ●             |
| 65   | 146.486 | 1316 303 030     | 50 01 848 761 | Constant Gear 39 T        | 1    |              | C     |               |               | ●             |               |
| 66   | 146.429 | 1315 303 046     | 50 01 842 917 | Gear 4th Speed 39 T       | 1    |              | A     | ●             |               |               |               |

## Notes

- (1) Only for Input S. 1315 202 048-1316 202 033 (2) Only for Input S. 1315 221 002-1316 221 017  
 (3) Old Type. Replaced by 1 pc. fig. 73 + 1 pc. fig. 74  
 (\*) New Models only. Do NO MIX Single Cone Synchro. with Double Cone Synchro.  
 (#) Latest Synchro gen. DO NO MIX the two different version. To update the previous one use the synchro rebuilt kit fig. 79  
 (@) Latest Synchro gen. DO NO MIX the two different version. To update the previous one use the synchro rebuilt kit fig. 80

## Date

03 / 2006

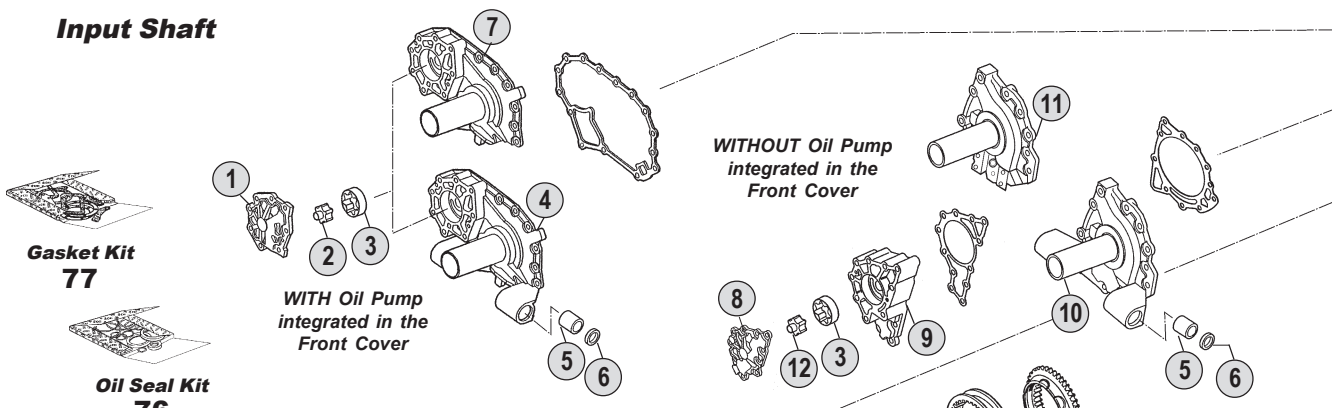
## Table

017 / A

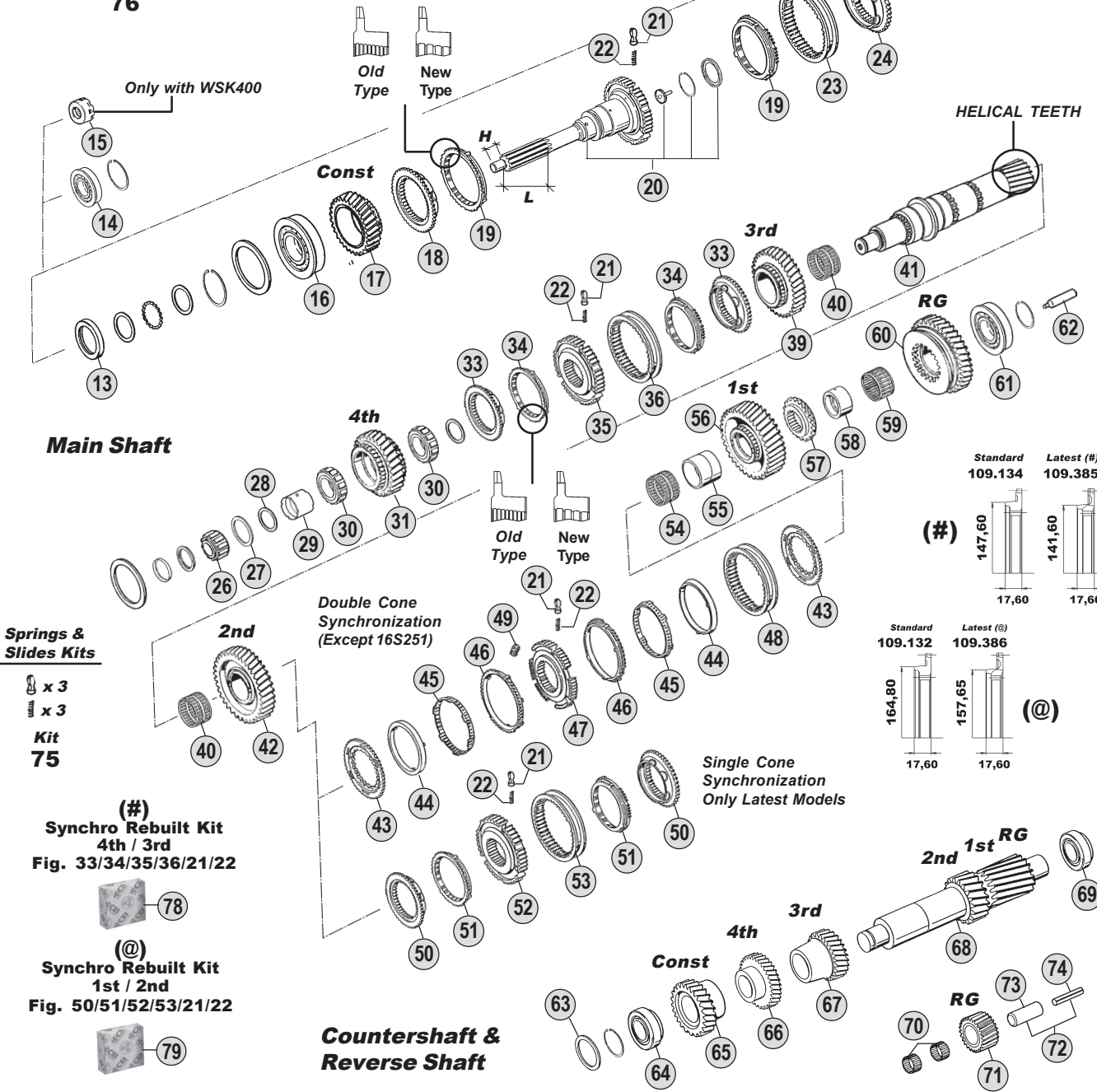
Suitable To : **ZF**

**16S151 - 16S181 - 16S221 - 16S251**

**Input Shaft**



**Main Shaft**



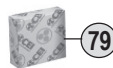
**Springs & Slides Kits**

x 3  
x 3  
**Kit 75**

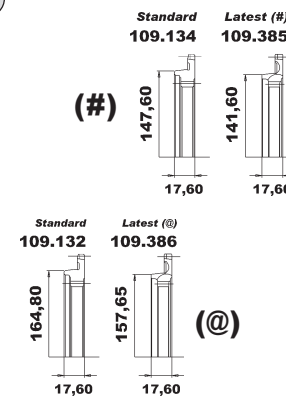
(#)  
**Synchro Rebuilt Kit 4th / 3rd**  
Fig. 33/34/35/36/21/22



(@)  
**Synchro Rebuilt Kit 1st / 2nd**  
Fig. 50/51/52/53/21/22



**Countershaft & Reverse Shaft**



| Ratios |                |                  |                  |        |        |
|--------|----------------|------------------|------------------|--------|--------|
| 16S151 | A : 13,74-0,84 | B : 13,80 - 0,84 | C : 16,41 - 1,00 | D : -- | E : -- |
| 16S181 | A : --         | B : 13,80 - 0,84 | C : 16,41 - 1,00 | D : -- | E : -- |
| 16S221 | A : 13,74-0,84 | B : 13,80 - 0,84 | C : 16,41 - 1,00 | D : -- | E : -- |
| 16S251 | A : --         | B : 13,80 - 0,84 | C : --           | D : -- | E : -- |



All original equipment manufacturers' numbers, symbols, pictures, models and description used in this catalogue are for reference only, and it is not implied that any part listed is the product of these manufactures. Tutti i nostri particolari non sono originali ma con essi intercambiabili. I riferimenti originali, le figure, i modelli sono esposti a semplice titolo indicativo. La nostra produzione riporta il nostro marchio.

16S151 (1315)  
16S181 (1316)  
16S221 (1316)  
16S251 (1316)

| Fig. | O.E.M. Reference |              | Description   | Q.ty                      | Note | Ratio      |            |               |               |               |               |  |  |  |
|------|------------------|--------------|---------------|---------------------------|------|------------|------------|---------------|---------------|---------------|---------------|--|--|--|
|      | CEI no.          | ZF no.       |               |                           |      |            | R.V.I. no. | 16S151 (1315) | 16S181 (1316) | 16S221 (1316) | 16S251 (1316) |  |  |  |
| 66   | 146.474          | 1315 303 050 | 50 01 848 219 | Gear 4th Speed 35 T       | 1    | BC         | ●          |               |               |               |               |  |  |  |
| 66   | 146.399          | 1316 303 063 | 50 01 853 611 | Gear 4th Speed 35 T       | 1    | BC         |            | ●             |               |               |               |  |  |  |
| 66   | 146.408          | 1316 303 004 |               | Gear 4th Speed 39 T       | 1    | A          |            |               | ●             |               |               |  |  |  |
| 66   | 146.426          | 1316 303 065 | 50 01 848 764 | Gear 4th Speed 35 T       | 1    | BC         |            |               | ●             | ●             |               |  |  |  |
| 67   | 146.368          | 1315 303 010 | 50 01 842 915 | Gear 3rd Speed 28 T       | 1    | A          | ●          |               |               |               |               |  |  |  |
| 67   | 146.365          | 1315 303 004 | 50 01 848 217 | Gear 3rd Speed 26 T       | 1    | BC         | ●          |               |               |               |               |  |  |  |
| 67   | 146.400          | 1316 303 058 | 50 01 853 609 | Gear 3rd Speed 26 T       | 1    | BC         |            | ●             |               |               |               |  |  |  |
| 67   | 146.409          | 1316 303 006 |               | Gear 3rd Speed 28 T       | 1    | A          |            |               | ●             |               |               |  |  |  |
| 67   | 146.391          | 1316 303 005 | 50 01 848 755 | Gear 3rd Speed 26 T       | 1    | BC         |            |               | ●             |               |               |  |  |  |
| 67   | 146.470          | 1316 303 040 | 50 01 854 401 | Gear 3rd Speed 26 T       | 1    | B          |            |               |               | ●             |               |  |  |  |
| 68   | 105.109          | 1315 303 041 | 50 01 842 903 | Countershaft 19-23 T      | 1    | A          | ●          |               |               |               |               |  |  |  |
| 68   | 105.124          | 1315 303 042 | 50 01 848 215 | Countershaft 17-20 T      | 1    | BC         | ●          |               |               |               |               |  |  |  |
| 68   | 105.103          | 1316 303 034 |               | Countershaft 19-23 T      | 1    | A          |            |               | ●             |               |               |  |  |  |
| 68   | 105.100          | 1316 303 033 | 50 01 848 752 | Countershaft 17-20 T      | 1    | BC         |            | ●             | ●             |               |               |  |  |  |
| 68   | 105.123          | 1316 303 038 | 50 01 854 397 | Countershaft 17-20 T      | 1    | B          |            |               |               | ●             |               |  |  |  |
| 69   | 130.307          | 0750 117 011 | 50 01 831 796 | Bearing D.50,8x104,7x39,6 | 1    |            | ●          |               |               |               |               |  |  |  |
| 69   | 130.308          | 0750 117 009 | 50 01 843 170 | Bearing D.49,2x103,1x43,6 | 1    |            |            | ●             | ●             |               |               |  |  |  |
| 69   | 130.519          | 0735 371 604 |               | Bearing D.49,2x103,1x43,6 | 1    |            |            |               |               | ●             |               |  |  |  |
| 70   | 137.135          | 0750 115 366 | 50 01 842 870 | Needle Cage D.45x57x21    | 2    |            | ●          |               |               |               |               |  |  |  |
| 70   | 137.149          | 0750 115 369 | 50 01 848 708 | Needle Cage D.45x57x25    | 2    |            |            | ●             | ●             | ●             |               |  |  |  |
| 71   | 147.142          | 1315 305 005 | 50 01 842 865 | Reverse Gear 20 T         | 1    | A          | ●          |               |               |               |               |  |  |  |
| 71   | 147.126          | 1315 305 002 | 50 01 848 198 | Reverse Gear 22 T         | 1    | BC         | ●          |               |               |               |               |  |  |  |
| 71   | 147.143          | 1316 305 002 |               | Reverse Gear 20 T         | 1    | A          |            |               | ●             |               |               |  |  |  |
| 71   | 147.127          | 1316 305 001 | 50 01 848 707 | Reverse Gear 22 T         | 1    | BC         |            | ●             | ●             | ●             |               |  |  |  |
| 72   |                  | 1315 201 054 |               | Reverse Shaft             | 1    | Old (3) A  | ●          |               |               |               |               |  |  |  |
| 72   |                  | 1315 201 053 |               | Reverse Shaft             | 1    | Old (3) BC | ●          |               |               |               |               |  |  |  |
| 72   |                  | 1316 201 030 |               | Reverse Shaft             | 1    | Old (3) A  |            |               | ●             |               |               |  |  |  |
| 72   | 190.301          | 1316 201 029 |               | Reverse Shaft             | 1    | Old (3) BC |            | ●             | ●             |               |               |  |  |  |
| 72   |                  | 1316 201 075 | 50 01 854 388 | Reverse Shaft             | 1    | Old (3) B  |            |               |               | ●             |               |  |  |  |
| 73   | 190.302          | 1315 305 009 | 50 01 843 643 | Reverse Shaft             | 1    | New        | ●          | ●             | ●             | ●             |               |  |  |  |
| 74   |                  | 0631 329 293 | 50 01 842 873 | Pin                       | 1    | New A      | ●          |               |               |               |               |  |  |  |
| 74   |                  | 0631 329 294 | 50 01 848 201 | Pin                       | 1    | New BC     | ●          |               |               |               |               |  |  |  |
| 74   |                  | 0631 329 295 |               | Pin                       | 1    | New A      |            |               | ●             |               |               |  |  |  |
| 74   |                  | 0631 329 296 | 50 01 849 621 | Pin                       | 1    | New BC     |            | ●             | ●             |               |               |  |  |  |
| 74   |                  | 0631 329 305 | 50 01 854 389 | Pin                       | 1    | New B      |            |               |               | ●             |               |  |  |  |
| 75   | 198.843          | CEI 198843   |               | Spring Slide Set          | 1    |            | ●          | ●             | ●             | ●             |               |  |  |  |
| 76   | 198.838          | 1315 298 002 | 50 01 843 156 | Oil Seal Kit              | 1    |            | ●          | ●             | ●             | ●             |               |  |  |  |
| 77   | 198.797          | 1315 298 001 | 50 01 843 157 | Gasket Kit                | 1    |            | ●          | ●             | ●             | ●             |               |  |  |  |
| 78   | 298.021          | 1315 298 061 |               | Synchro kit 4th/3rd Speed | 1    | (#)        | ●          | ●             | ●             | ●             |               |  |  |  |
| 79   | 298.020          | 1315 298 060 |               | Synchro kit 1st/2nd Speed | 1    | (@)        | ●          | ●             | ●             | ●             |               |  |  |  |

## Notes

- (1) Only for Input S. 1315 202 048-1316 202 033 (2) Only for Input S. 1315 221 002-1316 221 017  
 (3) Old Type. Replaced by 1 pc. fig. 73 + 1 pc. fig. 74  
 (\*) New Models only. **DO NO MIX** Single Cone Synchro. with Double Cone Synchro.  
 (#) Latest Synchro gen. **DO NO MIX** the two different version. To update the previous one use the synchro rebuilt kit fig. 79  
 (@) Latest Synchro gen. **DO NO MIX** the two different version. To update the previous one use the synchro rebuilt kit fig. 80

## Date

03 / 2006

## Table

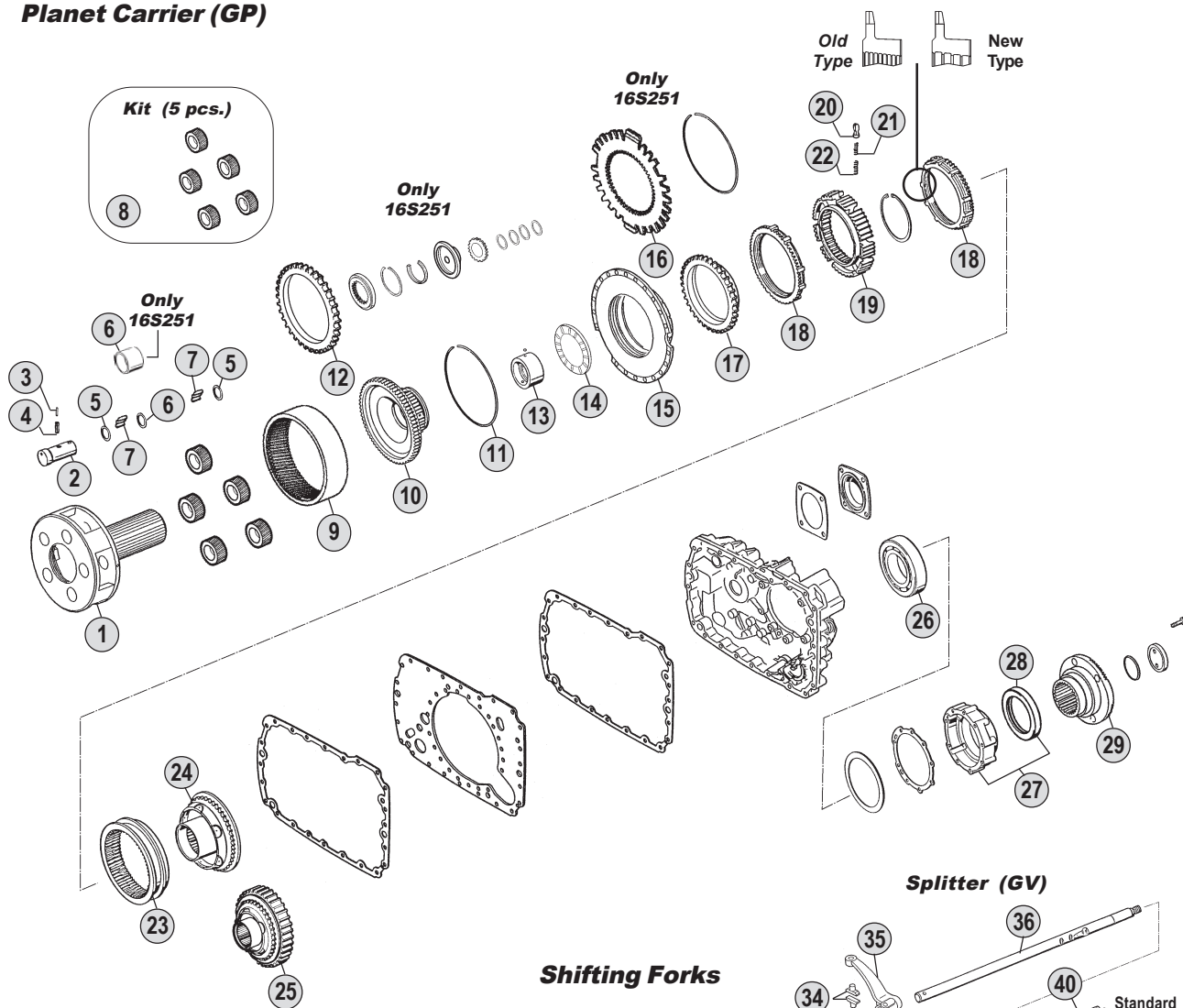
017 / A

All original equipment manufacturers' numbers, symbols, pictures, models and description used in this catalogue are for reference only, and it is not implied that any part listed is the product of these manufactures.  
 Tutti i nostri particolari non sono originali ma con essi intercambiabili. I riferimenti originali, le figure, i modelli sono esposti a semplice titolo indicativo. La nostra produzione riporta il nostro marchio.

Suitable To : **ZF**

**16S151 - 16S181 - 16S221 - 16S251**

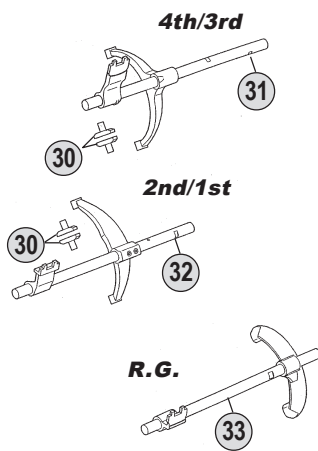
**Planet Carrier (GP)**



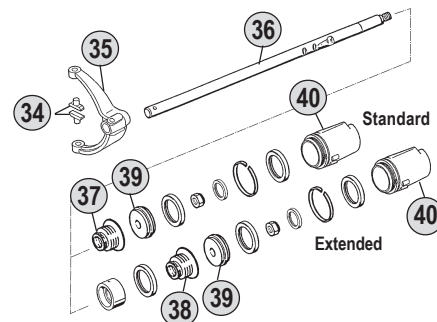
**Shifting Forks**

**Springs & Slides Kits**

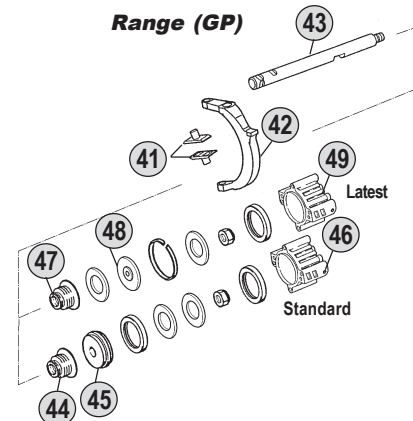
|               |               |               |
|---------------|---------------|---------------|
| x 3           | x 6           | x 9           |
| x 3           | x 6           | x 9           |
| x 3           | x 6           | x 9           |
| <b>Kit 50</b> | <b>Kit 51</b> | <b>Kit 52</b> |



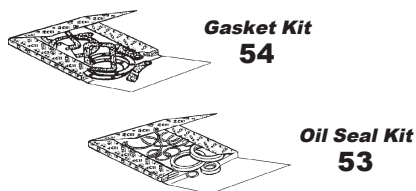
**Splitter (GV)**



**Range (GP)**



**Kits**



**Ratios**

|               |                  |                  |                  |        |        |
|---------------|------------------|------------------|------------------|--------|--------|
| <b>16S151</b> | A : 13,74 - 0,84 | B : 13,80 - 0,84 | C : 16,41 - 1,00 | D : -- | E : -- |
| <b>16S181</b> | A : --           | B : 13,80 - 0,84 | C : 16,41 - 1,00 | D : -- | E : -- |
| <b>16S221</b> | A : 13,74 - 0,84 | B : 13,80 - 0,84 | C : 16,41 - 1,00 | D : -- | E : -- |
| <b>16S251</b> | A : --           | B : 13,80 - 0,84 | C : --           | D : -- | E : -- |

All original equipment manufacturers' numbers, symbols, pictures, models and description used in this catalogue are for reference only, and it is not implied that any part listed is the product of these manufactures. Tutti i nostri particolari non sono originali ma con essi intercambiabili. I riferimenti originali, le figure, i modelli sono esposti a semplice titolo indicativo. La nostra produzione riporta il nostro marchio.

16S151 (1315)  
16S181 (1316)  
16S221 (1316)  
16S251 (1316)

| Fig. | O.E.M. Reference |              | Description   | Q.ty                       | Note | Ratio    |            |               |               |               |               |  |
|------|------------------|--------------|---------------|----------------------------|------|----------|------------|---------------|---------------|---------------|---------------|--|
|      | CEI no.          | ZF no.       |               |                            |      |          | R.V.I. no. | 16S151 (1315) | 16S181 (1316) | 16S221 (1316) | 16S251 (1316) |  |
| 1    | 190.394          | 1315 232 016 | 50 01 843 086 | Planetary Carrier          | 1    |          | ●          |               |               |               |               |  |
| 1    | 190.325          | 1316 232 019 | 50 01 848 900 | Planetary Carrier          | 1    |          |            | ●             |               |               |               |  |
| 1    | 190.394          | 1315 232 016 | 50 01 843 086 | Planetary Carrier          | 1    | (4)      |            | ●             |               |               |               |  |
| 1    | 190.325          | 1316 232 019 | 50 01 848 900 | Planetary Carrier          | 1    |          |            |               | ●             |               |               |  |
| 1    |                  | 1316 232 021 | 50 01 854 433 | Planetary Carrier          | 1    |          |            |               |               | ●             |               |  |
| 2    | 107.159          | 1315 332 053 | 50 01 843 215 | Planet Shaft               | 5    |          | ●          |               |               |               |               |  |
| 2    | 107.204          | 1316 332 096 | 50 01 848 906 | Planet Shaft               | 5    |          |            | ●             |               |               |               |  |
| 2    | 107.159          | 1315 332 053 | 50 01 843 215 | Planet Shaft               | 5    | (4)      |            | ●             |               |               |               |  |
| 2    | 107.204          | 1316 332 096 | 50 01 848 906 | Planet Shaft               | 5    |          |            |               | ●             |               |               |  |
| 2    |                  | 1316 332 097 | 50 01 854 436 | Planet Shaft               | 5    |          |            |               |               | ●             |               |  |
| 3    | 160.195          | 0631 329 167 | 50 01 831 867 | Lock Pin D.3x26            | 5    |          | ●          | ●             | ●             | ●             |               |  |
| 4    | 160.194          | 0631 329 051 | 77 01 014 081 | Lock Pin D.5x26            | 5    |          | ●          | ●             | ●             | ●             |               |  |
| 5    | 169.744          | 0730 107 168 | 50 01 831 858 | Spacer Ring                | 10   |          | ●          |               |               |               |               |  |
| 5    | 269.009          | 0730 109 323 | 50 01 843 092 | Spacer Ring                | 10   |          |            | ●             |               |               |               |  |
| 5    | 169.744          | 0730 107 168 | 50 01 831 858 | Spacer Ring                | 10   | (4)      |            | ●             |               |               |               |  |
| 5    | 269.009          | 0730 109 323 | 50 01 843 092 | Spacer Ring                | 10   |          |            |               | ●             | ●             |               |  |
| 6    | 169.744          | 0730 107 168 | 50 01 831 858 | Spacer Ring                | 5    |          | ●          |               |               |               |               |  |
| 6    | 269.010          | 0730 109 309 | 50 01 848 905 | Spacer Ring                | 5    |          |            | ●             |               |               |               |  |
| 6    | 169.744          | 0730 107 168 | 50 01 831 858 | Spacer Ring                | 5    | (4)      |            | ●             |               |               |               |  |
| 6    | 269.010          | 0730 109 309 | 50 01 848 905 | Spacer Ring                | 5    |          |            |               | ●             |               |               |  |
| 6    |                  | 0730 162 801 | 50 01 854 435 | Bush T.14,90               | 5    |          |            |               |               | ●             |               |  |
| 7    | 171.062          | 0750 119 116 | 50 01 848 257 | Roller D.10x16,8           | 140  |          | ●          | ●             | ●             | ●             |               |  |
| 8    | 198.798          | 1315 232 010 | 50 01 843 089 | Planetary Gear Set (5 pcs) | 1    |          | ●          |               |               |               |               |  |
| 8    | 298.024          | 1316 232 011 | 50 01 848 902 | Planetary Gear Set (5 pcs) | 1    |          |            | ●             |               |               |               |  |
| 8    | 198.798          | 1315 232 010 | 50 01 843 089 | Planetary Gear Set (5 pcs) | 1    | (4)      |            | ●             |               |               |               |  |
| 8    | 298.024          | 1316 232 011 | 50 01 848 902 | Planetary Gear Set (5 pcs) | 1    |          |            |               | ●             |               |               |  |
| 8    |                  | 1316 232 017 | 50 01 854 434 | Planetary Gear Set (5 pcs) | 1    |          |            |               |               | ●             |               |  |
| 9    | 123.211          | 1315 332 041 | 50 01 843 118 | Crown Gear                 | 1    |          | ●          | ●             | ●             | ●             |               |  |
| 9    |                  | 1316 332 042 | 50 01 854 438 | Crown Gear                 | 1    |          |            |               |               | ●             |               |  |
| 10   | 150.136          | 1316 332 103 | 50 01 851 633 | Carrier Hub                | 1    |          | ●          | ●             | ●             | ●             |               |  |
| 10   |                  | 1316 332 073 | 50 01 854 437 | Carrier Hub                | 1    |          |            |               |               | ●             |               |  |
| 11   |                  | 0730 513 583 | 50 01 843 216 | Locking Wire               | 1    |          | ●          | ●             | ●             | ●             |               |  |
| 11   |                  | 0730 513 639 | 50 01 854 439 | Locking Wire               | 1    |          |            |               |               | ●             |               |  |
| 12   |                  | 1316 332 044 | 50 01 854 440 | Ring Gear                  | 1    |          |            |               |               | ●             |               |  |
| 13   |                  | 1316 333 014 | 50 01 843 094 | Bush                       | 1    |          | ●          | ●             | ●             | ●             |               |  |
| 14   | 130.312          | 0735 298 169 | 50 01 843 116 | Bearing D.104,50x128,40x10 | 1    |          | ●          | ●             | ●             | ●             |               |  |
| 15   | 135.122          | 1296 333 046 | 50 01 856 505 | Saddle Plate               | 1    |          | ●          | ●             | ●             | ●             |               |  |
| 16   |                  | 1316 333 026 | 50 01 848 258 | Saddle Plate               | 1    |          |            |               |               | ●             |               |  |
| 17   | 109.174          | 1296 333 050 | 50 01 848 259 | Synchronizer Cone          | 1    |          | ●          | ●             | ●             | ●             |               |  |
| 18   | 119.085          | 1296 333 022 | 50 00 289 824 | Synchronizer Ring          | 2    | Old Type | ●          | ●             | ●             | ●             |               |  |
| 18   | 119.172          | 1296 333 045 | 50 01 846 736 | Synchronizer Ring          | 2    | New Type | ●          | ●             | ●             | ●             |               |  |
| 19   | 157.182          | 1313 333 001 | 50 01 831 875 | Synchronizer Hub           | 1    |          | ●          | ●             | ●             | ●             |               |  |
| 20   | 160.116          | 1240 304 278 | 50 00 255 276 | Pressure Piece             | 9    |          | ●          | ●             | ●             | ●             |               |  |
| 21   | 156.036          | 0732 040 386 | 50 00 255 277 | Inner Spring De.3x34       | 9    |          | ●          | ●             | ●             | ●             |               |  |
| 22   | 156.037          | 0732 040 385 | 77 01 007 805 | Outer Spring De.6x34       | 9    |          | ●          | ●             | ●             | ●             |               |  |

## Notes

(4) 16S181 Special GP Version. This version use 16S151 GP items.  
For this version use items marked (4) together.

## Date

03 / 2006

## Table

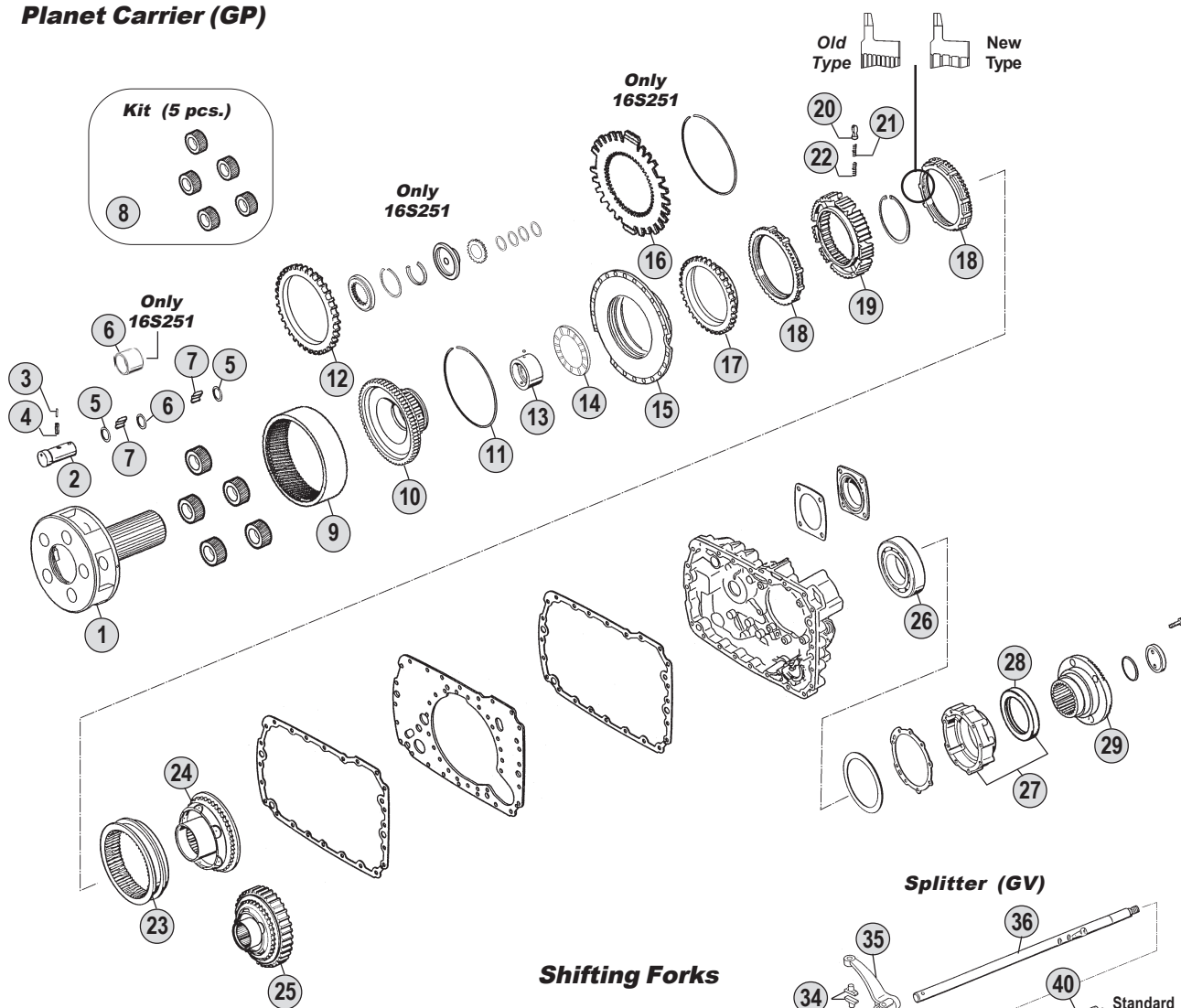
017 / B

All original equipment manufacturers numbers, symbols, pictures, models and description used in this catalogue are for reference only, and it is not implied that any part listed is the product of these manufactures.  
Tutti i nostri particolari non sono originali ma con essi intercambiabili. I riferimenti originali, le figure, i modelli sono esposti a semplice titolo indicativo. La nostra produzione riporta il nostro marchio.

Suitable To : **ZF**

**16S151 - 16S181 - 16S221 - 16S251**

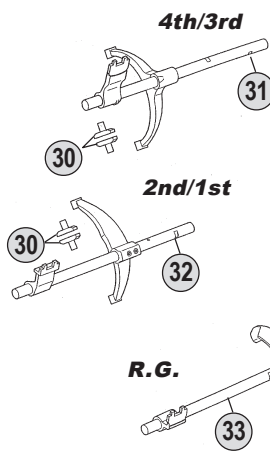
**Planet Carrier (GP)**



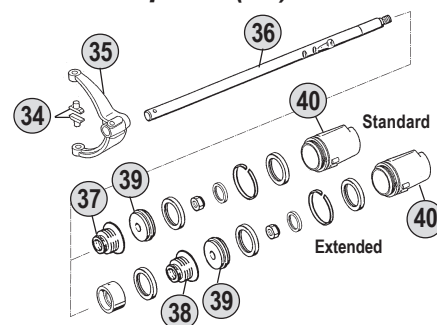
**Springs & Slides Kits**

|               |               |               |
|---------------|---------------|---------------|
| x 3           | x 6           | x 9           |
| x 3           | x 6           | x 9           |
| x 3           | x 6           | x 9           |
| <b>Kit 50</b> | <b>Kit 51</b> | <b>Kit 52</b> |

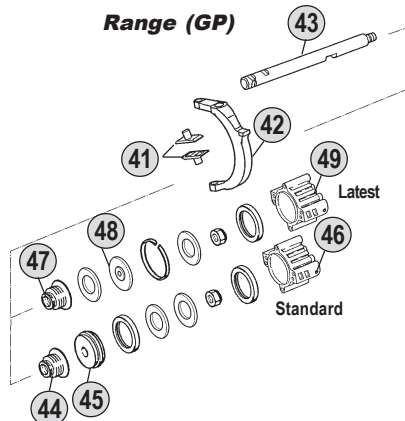
**Shifting Forks**



**Splitter (GV)**



**Range (GP)**



**Kits**



**Ratios**

|               |                  |                  |                  |        |        |
|---------------|------------------|------------------|------------------|--------|--------|
| <b>16S151</b> | A : 13,74 - 0,84 | B : 13,80 - 0,84 | C : 16,41 - 1,00 | D : -- | E : -- |
| <b>16S181</b> | A : --           | B : 13,80 - 0,84 | C : 16,41 - 1,00 | D : -- | E : -- |
| <b>16S221</b> | A : 13,74 - 0,84 | B : 13,80 - 0,84 | C : 16,41 - 1,00 | D : -- | E : -- |
| <b>16S251</b> | A : --           | B : 13,80 - 0,84 | C : --           | D : -- | E : -- |

All original equipment manufacturers' numbers, symbols, pictures, models and description used in this catalogue are for reference only, and it is not implied that any part listed is the product of these manufactures. Tutti i nostri particolari non sono originali ma con essi intercambiabili. I riferimenti originali, le figure, i modelli sono esposti a semplice titolo indicativo. La nostra produzione riporta il nostro marchio.

16S151 (1315)  
16S181 (1316)  
16S221 (1316)  
16S251 (1316)

| Fig. | CEI no. | O.E.M. Reference |               | Description                     | Q.ty | Note          | Ratio |               |               |               |               |
|------|---------|------------------|---------------|---------------------------------|------|---------------|-------|---------------|---------------|---------------|---------------|
|      |         | ZF no.           | R.V.I. no.    |                                 |      |               |       | 16S151 (1315) | 16S181 (1316) | 16S221 (1316) | 16S251 (1316) |
| 23   | 154.098 | 1296 333 023     | 50 00 289 825 | Sliding Sleeve                  | 1    |               |       | ●             | ●             | ●             | ●             |
| 24   | 109.175 | 1316 233 015     | 50 01 843 132 | Synchronizer Cone (44 Spl.)     | 1    |               |       | ●             | ●             | ●             | ●             |
| 25   | 196.270 | 1316 233 014     | 50 01 853 444 | Synchronizer Cone 59 T (44 Spl) | 1    | With Retarder |       | ●             | ●             | ●             | ●             |
| 26   | 130.245 | 0750 116 002     | 50 01 858 080 | Bearing D.90x160x30             | 1    |               |       | ●             | ●             | ●             | ●             |
| 27   |         | 1315 231 004     |               | Cover                           | 1    |               |       | ●             | ●             | ●             | ●             |
| 28   |         | 0750 111 341     | 50 00 289 673 | Oil Seal 105x130x12             | 1    |               |       | ●             | ●             | ●             | ●             |
| 29   |         | 1297 333 110     | 50 01 843 761 | Output Flange                   | 1    | D.180-4.H.    |       | ●             | ●             | ●             | ●             |
| 29   |         | 1316 232 028     |               | Output Flange                   | 1    | D.222-4.H.    |       | ●             |               |               |               |
| 29   |         | 1316 338 002     | 50 01 853 684 | Output Flange                   | 1    | D.180-4.H.    |       |               |               | ●             |               |
| 30   | 141.163 | 1297 306 120     | 50 01 831 828 | Slide                           | 2    | Old Type      |       | ●             | ●             | ●             | ●             |
| 30   | 141.168 | 1316 306 015     | 50 01 859 283 | Slide                           | 2    | New Type      |       | ●             | ●             | ●             | ●             |
| 31   |         | 1315 206 013     | 50 01 842 949 | Fork                            | 1    | Old Type      |       | ●             |               |               |               |
| 31   |         | 1315 206 055     | 50 01 859 285 | Fork                            | 1    | New Type      |       | ●             |               |               |               |
| 31   |         | 1315 206 024     |               | Fork                            | 1    | Old Type      |       | ●             |               |               |               |
| 31   |         | 1315 206 056     |               | Fork                            | 1    | New Type      |       | ●             |               |               |               |
| 31   |         | 1316 206 018     | 50 01 848 888 | Fork                            | 1    | Old Type      |       |               | ●             | ●             | ●             |
| 31   |         | 1316 206 037     | 50 01 860 002 | Fork                            | 1    | New Type      |       |               | ●             | ●             | ●             |
| 31   |         | 1316 206 017     |               | Fork                            | 1    | Old Type      |       |               |               | ●             |               |
| 31   |         | 1316 206 038     |               | Fork                            | 1    | New Type      |       |               |               | ●             |               |
| 32   |         | 1315 206 046     | 50 01 842 947 | Fork                            | 1    | Old Type      |       | ●             |               |               |               |
| 32   |         | 1315 206 052     | 50 01 859 282 | Fork                            | 1    | New Type      |       | ●             |               |               |               |
| 32   |         | 1315 206 047     |               | Fork                            | 1    | Old Type      |       | ●             |               |               |               |
| 32   |         | 1315 206 053     |               | Fork                            | 1    | New Type      |       | ●             |               |               |               |
| 32   |         | 1316 206 025     | 50 01 849 679 | Fork                            | 1    | Old Type      |       |               | ●             | ●             | ●             |
| 32   |         | 1316 206 033     | 50 01 860 000 | Fork                            | 1    | New Type      |       |               | ●             | ●             | ●             |
| 32   |         | 1316 206 026     |               | Fork                            | 1    | Old Type      |       |               |               | ●             |               |
| 32   |         | 1316 206 034     |               | Fork                            | 1    | New Type      |       |               |               | ●             |               |
| 32   |         | 1316 206 027     |               | Fork                            | 1    | Old Type      |       |               |               | ●             |               |
| 32   |         | 1316 206 035     |               | Fork                            | 1    | New Type      |       |               |               | ●             |               |
| 33   |         | 1315 206 003     |               | Fork                            | 1    |               |       | ●             |               |               |               |
| 33   |         | 1315 206 023     | 50 01 842 950 | Fork                            | 1    |               |       | ●             |               |               |               |
| 33   |         | 1316 206 013     | 50 01 848 889 | Fork                            | 1    |               |       |               | ●             | ●             | ●             |
| 33   |         | 1316 206 014     |               | Fork                            | 1    |               |       |               |               | ●             |               |
| 34   | 141.163 | 1297 306 120     | 50 01 831 828 | Slide                           | 2    | Old Type      |       | ●             | ●             | ●             | ●             |
| 34   | 141.168 | 1316 306 015     | 50 01 859 283 | Slide                           | 2    | New Type      |       | ●             | ●             | ●             | ●             |
| 35   |         | 1315 312 017     | 50 01 843 023 | Fork                            | 1    | Old Type      |       | ●             | ●             | ●             | ●             |
| 35   |         | 1315 312 074     |               | Fork                            | 1    | New Type      |       | ●             | ●             | ●             | ●             |
| 36   |         | 1315 312 049     | 50 01 843 022 | Rod                             | 1    | Standard      |       | ●             |               |               |               |
| 36   |         | 1315 312 022     |               | Rod                             | 1    | Extended      |       | ●             |               |               |               |
| 36   |         | 1316 312 016     | 50 01 848 894 | Rod                             | 1    | Standard      |       |               | ●             | ●             | ●             |
| 36   |         | 1316 312 008     |               | Rod                             | 1    | Extended      |       |               |               | ●             |               |
| 37   |         | 0750 112 131     | 50 01 843 024 | Cap Collar D.25x40x15           | 1    | Standard      |       | ●             | ●             | ●             | ●             |
| 38   | 139.331 | 0750 112 034     | 50 00 289 801 | Cap Collar D.25x38x14,2         | 1    | Extended      |       | ●             |               | ●             |               |
| 39   |         | 1315 312 020     | 50 01 843 025 | Piston                          | 1    |               |       | ●             | ●             | ●             | ●             |
| 40   |         | 1315 312 048     | 50 01 843 028 | Cylinder                        | 1    |               |       | ●             |               |               |               |

## Notes

(4) 16S181 Special GP Version. This version use 16S151 GP items.  
For this version use items marked (4) together.

## Date

03 / 2006

## Table

017 / B

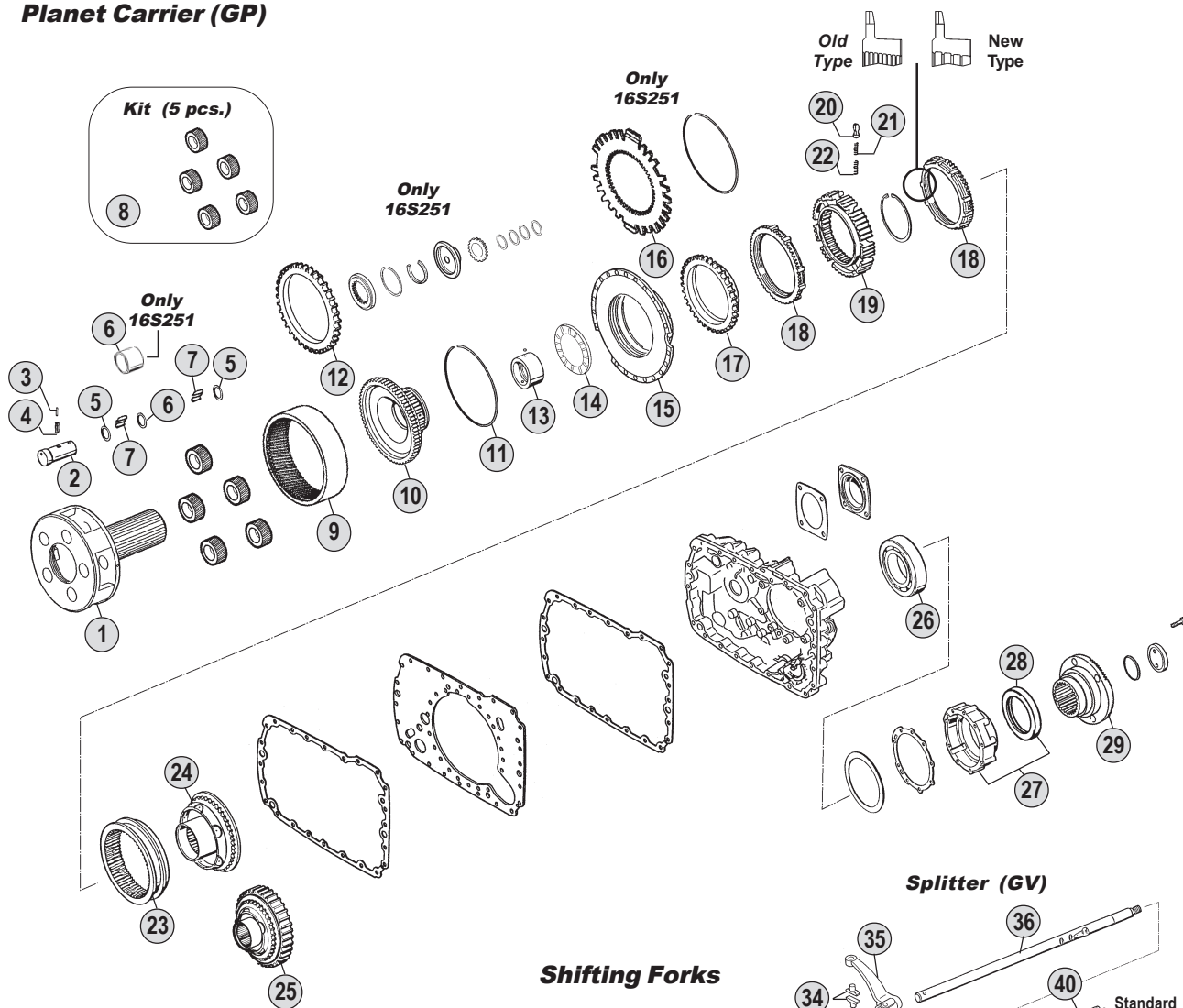
All original equipment manufacturers numbers, symbols, pictures, models and description used in this catalogue are for reference only, and it is not implied that any part listed is the product of these manufactures.  
Tutti i nostri particolari non sono originali ma con essi intercambiabili. I riferimenti originali, le figure, i modelli sono esposti a semplice titolo indicativo. La nostra produzione riporta il nostro marchio.



Suitable To : **ZF**

**16S151 - 16S181 - 16S221 - 16S251**

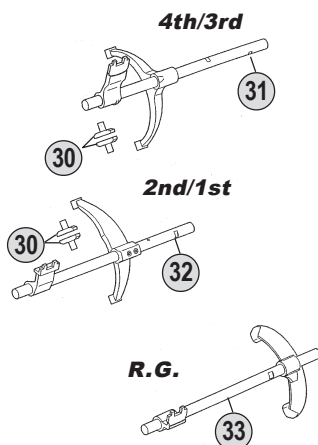
**Planet Carrier (GP)**



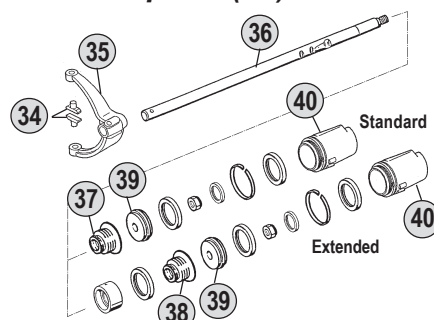
**Springs & Slides Kits**

|               |               |               |
|---------------|---------------|---------------|
| x 3           | x 6           | x 9           |
| x 3           | x 6           | x 9           |
| x 3           | x 6           | x 9           |
| <b>Kit 50</b> | <b>Kit 51</b> | <b>Kit 52</b> |

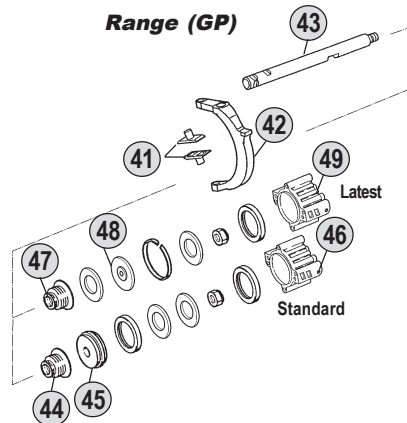
**Shifting Forks**



**Splitter (GV)**



**Range (GP)**



**Kits**



**Ratios**

|               |                  |                  |                  |        |        |
|---------------|------------------|------------------|------------------|--------|--------|
| <b>16S151</b> | A : 13,74 - 0,84 | B : 13,80 - 0,84 | C : 16,41 - 1,00 | D : -- | E : -- |
| <b>16S181</b> | A : --           | B : 13,80 - 0,84 | C : 16,41 - 1,00 | D : -- | E : -- |
| <b>16S221</b> | A : 13,74 - 0,84 | B : 13,80 - 0,84 | C : 16,41 - 1,00 | D : -- | E : -- |
| <b>16S251</b> | A : --           | B : 13,80 - 0,84 | C : --           | D : -- | E : -- |

All original equipment manufacturers' numbers, symbols, pictures, models and description used in this catalogue are for reference only, and it is not implied that any part listed is the product of these manufactures. Tutti i nostri particolari non sono originali ma con essi intercambiabili. I riferimenti originali, le figure, i modelli sono esposti a semplice titolo indicativo. La nostra produzione riporta il nostro marchio.

16S151 (1315)  
16S181 (1316)  
16S221 (1316)  
16S251 (1316)

| Fig. | CEI no. | O.E.M. Reference |               | Description             | Q.ty | Note          | Ratio |               |               |               |               |  |
|------|---------|------------------|---------------|-------------------------|------|---------------|-------|---------------|---------------|---------------|---------------|--|
|      |         | ZF no.           | R.V.I. no.    |                         |      |               |       | 16S151 (1315) | 16S181 (1316) | 16S221 (1316) | 16S251 (1316) |  |
| 40   |         | 1316 312 015     | 50 01 848 895 | Cylinder                | 1    |               |       | ●             | ●             | ●             |               |  |
| 41   | 141.085 | 1296 334 004     | 50 00 289 841 | Bronze Slide            | 2    |               |       | ●             | ●             | ●             | ●             |  |
| 42   |         | 1315 334 039     | 50 01 843 074 | Fork                    | 1    |               |       | ●             | ●             | ●             | ●             |  |
| 43   |         | 1315 334 058     | 50 01 855 100 | Rod                     | 1    |               |       | ●             |               |               |               |  |
| 43   |         | 1316 334 010     | 50 01 855 186 | Rod                     | 1    |               |       |               | ●             | ●             |               |  |
| 43   |         | 1316 334 011     |               | Rod                     | 1    |               |       |               |               |               | ●             |  |
| 44   | 139.331 | 0750 112 034     | 50 00 289 801 | Cap Collar D.25x38x14,2 | 1    | Standard Type |       | ●             |               | ●             |               |  |
| 45   | 189.422 | 1296 334 039     | 50 00 289 835 | Piston                  | 1    | Standard Type |       | ●             |               | ●             |               |  |
| 46   |         | 1315 334 021     |               | Cylinder                | 1    | Standard Type |       | ●             |               | ●             |               |  |
| 47   |         | 0750 112 131     | 50 01 843 024 | Cap Collar D.25x40x15   | 1    | Latest Type   |       | ●             | ●             | ●             | ●             |  |
| 48   |         | 1315 334 034     | 50 01 843 135 | Piston                  | 1    | Latest Type   |       | ●             | ●             | ●             | ●             |  |
| 49   |         | 1315 334 056     | 50 01 849 893 | Cylinder                | 1    | Latest Type   |       | ●             | ●             | ●             | ●             |  |
| 50   | 198.339 | 1268 298 938     |               | Spring Slide Set        | 1    |               |       | ●             | ●             | ●             | ●             |  |
| 51   | 198.564 | CEI 198564       |               | Spring Slide Set        | 1    |               |       | ●             | ●             | ●             | ●             |  |
| 52   | 198.842 | 1295 298 933     |               | Spring Slide Set        | 1    |               |       | ●             | ●             | ●             | ●             |  |
| 53   | 198.838 | 1315 298 002     | 50 01 843 156 | Oil Seal Kit            | 1    |               |       | ●             | ●             | ●             | ●             |  |
| 54   | 198.797 | 1315 298 001     | 50 01 843 157 | Gasket Kit              | 1    |               |       | ●             | ●             | ●             | ●             |  |

All original equipment manufacturers numbers, symbols, pictures, models and description used in this catalogue are for reference only, and it is not implied that any part listed is the product of these manufactures.  
Tutti i nostri particolari non sono originali ma con essi intercambiabili. I riferimenti originali, le figure, i modelli sono esposti a semplice titolo indicativo. La nostra produzione riporta il nostro marchio.

**ECO III**  
From 16S151  
To 16S251

## Notes

(4) 16S181 Special GP Version. This version use 16S151 GP items.  
For this version use items marked (4) together.

## Date

03 / 2006

## Table

017 / B



# Gearboxes Index

## EcoSplit I

**16K160**

**16S112**

**16S130**

**16S160**

**16S190**

**16S112/1**

**16S130/1**

**16S160/1**

## EcoSplit II

**16S150**

**16S220**

## EcoSplit III

**16S151**

**16S181**

**16S221**

**16S251**

DAF  
INDEX



suitable to :

**Z.F.****EcoSplit I****From 16K130 to 16K190****Application**

|                 | 16K130<br>(1295) | 16K160<br>(1297) | 16K190<br>(1297) |
|-----------------|------------------|------------------|------------------|
| <b>MERCEDES</b> |                  |                  |                  |
| <b>M.A.N.</b>   |                  |                  |                  |
| <b>IVECO</b>    |                  |                  |                  |
| <b>R.V.I.</b>   |                  |                  |                  |
| <b>DAF</b>      |                  |                  |                  |
| <b>VOLVO</b>    |                  |                  |                  |

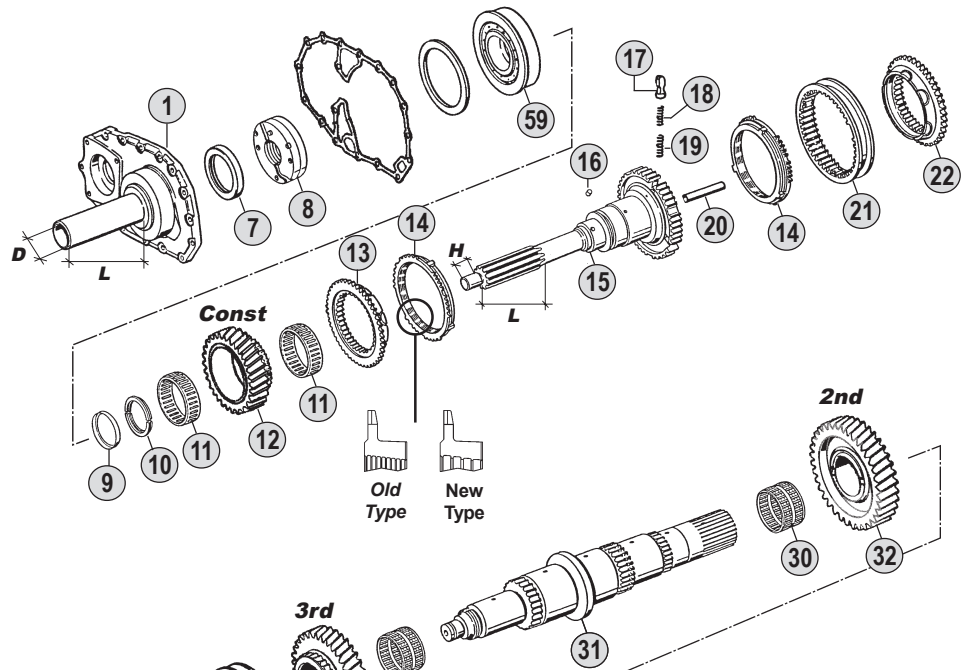
**Ratios**

|               | R.11,46-0,85<br><b>A</b> | R.13,68-1,00<br><b>B</b> | R.14,29-0,82<br><b>C</b> |
|---------------|--------------------------|--------------------------|--------------------------|
| <b>16K130</b> |                          |                          |                          |
| <b>16K160</b> |                          |                          |                          |
| <b>16K190</b> |                          |                          |                          |

All original equipment manufacturers numbers, symbols, pictures, models and description used in this catalogue are for reference only, and it is not implied that any part listed is the product of these manufacturers. Tutti i nostri particolari non sono originali ma con essi intercambiabili. I riferimenti originali, le figure, i modelli sono esposti a semplice titolo indicativo. La nostra produzione riporta il nostro marchio.

**ECO I**  
**16K160**

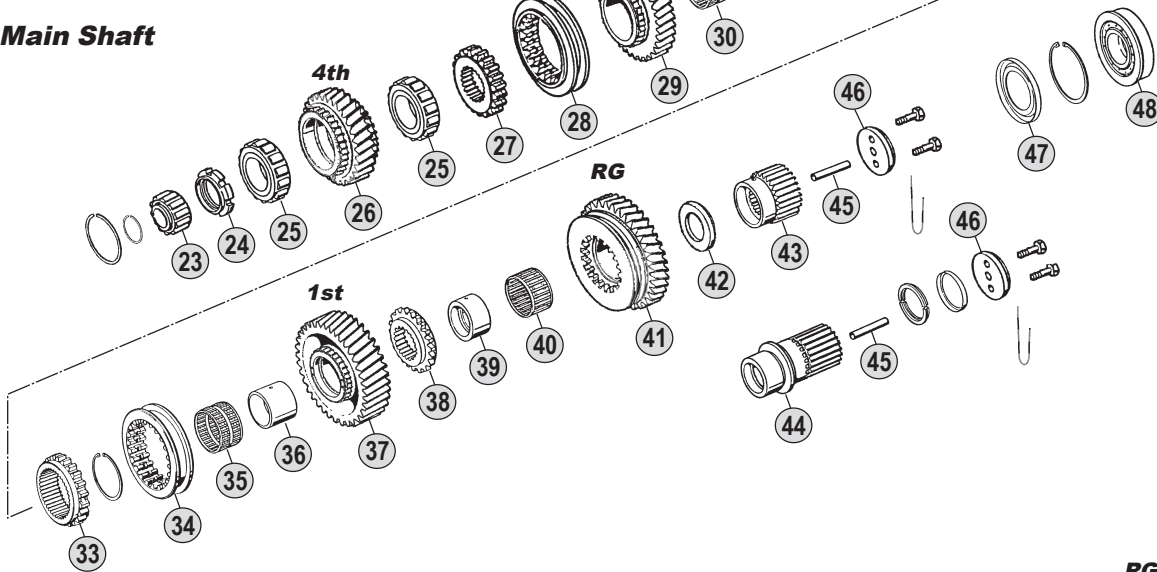
**Input Shaft**



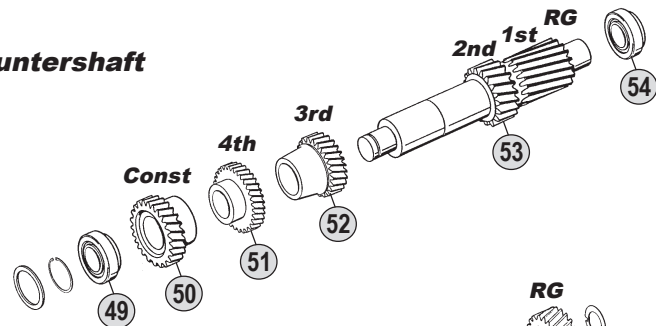
**Springs & Slides Kits**

|               |               |               |
|---------------|---------------|---------------|
| x 3           | x 6           | x 9           |
| x 3           | x 6           | x 9           |
| x 3           | x 6           | x 9           |
| <b>Kit 60</b> | <b>Kit 61</b> | <b>Kit 62</b> |

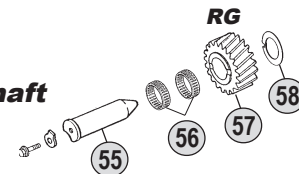
**Main Shaft**



**Countershaft**



**Reverse Shaft**



**Ratios**

16K160 A : 11,46 - 0,85 B : 13,68 - 1,00 C : 14,29 - 0,82 D : -- E : --

All original equipment manufacturers' numbers, symbols, pictures, models and description used in this catalogue are for reference only, and it is not implied that any part listed is the product of these manufactures. Tutti i nostri particolari non sono originali ma con essi intercambiabili. I riferimenti originali, le figure, i modelli sono esposti a semplice titolo indicativo. La nostra produzione riporta il nostro marchio.

| Fig. | O.E.M. Reference |              | Description | Q.ty                        | Note | Ratio         |         |        |        |        |        |        |  |
|------|------------------|--------------|-------------|-----------------------------|------|---------------|---------|--------|--------|--------|--------|--------|--|
|      | CEI no.          | ZF no.       |             |                             |      |               | DAF no. | 16K160 | 16K160 | 16K160 | 16K160 | 16K160 |  |
| 1    |                  | 1297 302 013 | 692071      | Front Cover                 | 1    | L=170 - D=57  | ●       |        |        |        |        |        |  |
| 7    |                  | 0750 111 002 | 609458      | Oil Seal 48x75x8            | 1    |               | ●       |        |        |        |        |        |  |
| 8    | <b>280.348</b>   | 1295 202 041 | 692203      | Oil Pump                    | 1    |               | ●       |        |        |        |        |        |  |
| 9    | 169.754          | 0730 061 816 | 609456      | Securing Ring               | 1    |               | ●       |        |        |        |        |        |  |
| 9    | 169.755          | 0730 062 579 | 698621      | Securing Ring               | 1    | S.4,20 mm     | ●       |        |        |        |        |        |  |
| 10   |                  | 0730 103 244 | 609454      | Split Ring T.4,30 mm        | 1    | S.4,30 mm (4) | ●       |        |        |        |        |        |  |
| 10   |                  | 0730 103 935 | 692202      | Split Ring T.3,80 mm        | 1    | S.3,80 mm (4) | ●       |        |        |        |        |        |  |
| 10   |                  | 0730 105 156 | 698685      | Split Ring T.4,00 mm        | 1    | S.4,00 mm (5) | ●       |        |        |        |        |        |  |
| 10   |                  | 0730 105 154 |             | Split Ring T.3,80 mm        | 1    | S.3,80 mm (5) | ●       |        |        |        |        |        |  |
| 11   | <b>137.153</b>   | 0735 320 896 | 698642      | Needle Cage D.88x96x29      | 2    |               | ●       |        |        |        |        |        |  |
| 12   | <b>145.466</b>   | 1297 302 177 | 67076       | Constant Gear 30 T          | 1    |               | A       | ●      |        |        |        |        |  |
| 12   | <b>145.406</b>   | 1297 302 176 | 66359       | Constant Gear 28 T          | 1    |               | B       | ●      |        |        |        |        |  |
| 12   | <b>145.405</b>   | 1297 302 250 | 1327921     | Constant Gear 29 T          | 1    |               | C       | ●      |        |        |        |        |  |
| 13   | <b>109.072</b>   | 1295 304 278 | 692073      | Synchronizer Cone           | 1    |               |         | ●      |        |        |        |        |  |
| 14   | <b>119.084</b>   | 1295 304 004 | 692075      | Synchronizer Ring           | 2    | Old Type      |         | ●      |        |        |        |        |  |
| 14   | <b>119.175</b>   | 1304 304 686 |             | Synchronizer Ring           | 2    | New Type      |         | ●      |        |        |        |        |  |
| 15   | 102.245          | 1297 202 004 | 691379      | Input Shaft                 | 1    | L=115 H=32    |         | ●      |        |        |        |        |  |
| 16   |                  | 0635 470 012 | 110478      | Pin                         | 1    |               |         | ●      |        |        |        |        |  |
| 17   | <b>160.116</b>   | 1240 304 278 | 326962      | Pressure piece              | 3    |               |         | ●      |        |        |        |        |  |
| 18   | <b>156.036</b>   | 0732 040 386 | 326964      | Inner Spring De.3x34        | 3    |               |         | ●      |        |        |        |        |  |
| 19   | <b>156.037</b>   | 0732 040 385 | 326963      | Outer Spring De.6x34        | 3    |               |         | ●      |        |        |        |        |  |
| 20   | 188.208          | 0730 062 323 |             | Oil Tube                    | 1    |               |         | ●      |        |        |        |        |  |
| 21   | <b>154.097</b>   | 1295 304 002 | 692074      | Sliding Sleeve              | 1    |               |         | ●      |        |        |        |        |  |
| 22   | <b>109.072</b>   | 1295 304 278 | 692073      | Synchronizer Cone           | 1    |               |         | ●      |        |        |        |        |  |
| 23   | 137.113          | 0750 118 038 | 1336466     | Roller Cage D.35x68x27,50   | 1    |               |         | ●      |        |        |        |        |  |
| 24   | 187.412          | 0737 502 092 | 692208      | Grooved Nut M60x1,5         | 1    |               |         | ●      |        |        |        |        |  |
| 25   | 137.083          | 0750 118 005 | 692209      | Roller Cage D.63x97,5x34,80 | 2    |               |         | ●      |        |        |        |        |  |
| 26   | <b>145.529</b>   | 1297 304 128 |             | Gear 4th Speed 28 T         | 1    |               | A       | ●      |        |        |        |        |  |
| 26   | <b>145.420</b>   | 1297 304 127 |             | Gear 4th Speed 30 T         | 1    |               | B       | ●      |        |        |        |        |  |
| 26   | 145.530          | 1297 304 258 | 67568       | Gear 4th Speed 29 T         | 1    |               | C       | ●      |        |        |        |        |  |
| 27   | <b>157.195</b>   | 1297 304 188 | 67566       | Fixed Hub 4th-5th Speed     | 1    |               |         | ●      |        |        |        |        |  |
| 28   | <b>154.189</b>   | 1297 304 120 | 67567       | Sliding Sleeve              | 1    |               |         | ●      |        |        |        |        |  |
| 29   | <b>145.531</b>   | 1297 304 116 | 67565       | Gear 3rd Speed 32 T         | 1    |               | AC      | ●      |        |        |        |        |  |
| 29   | <b>145.468</b>   | 1297 304 115 |             | Gear 3rd Speed 34 T         | 1    |               | B       | ●      |        |        |        |        |  |
| 30   | <b>137.084</b>   | 0735 320 418 | 692205      | Needle Cage D.82x90x49      | 2    |               |         | ●      |        |        |        |        |  |
| 31   | <b>103.134</b>   | 1297 304 179 |             | Main Shaft                  | 1    |               | AB      | ●      |        |        |        |        |  |
| 31   | 103.139          | 1297 304 264 |             | Main Shaft                  | 1    |               | C       | ●      |        |        |        |        |  |
| 32   | <b>145.532</b>   | 1297 304 113 |             | Gear 2nd Speed 37 T         | 1    |               | AC      | ●      |        |        |        |        |  |
| 32   | <b>145.467</b>   | 1297 304 112 |             | Gear 2nd Speed 38 T         | 1    |               | B       | ●      |        |        |        |        |  |
| 33   | <b>157.197</b>   | 1295 304 235 | 67560       | Fixed Hub 1st-2nd Speed     | 1    |               |         | ●      |        |        |        |        |  |
| 34   | <b>154.188</b>   | 1297 304 119 | 67561       | Sliding Sleeve              | 1    |               |         | ●      |        |        |        |        |  |
| 35   | 137.161          | 0735 320 568 | 67563       | Needle Cage D.82x90x53      | 1    |               |         | ●      |        |        |        |        |  |
| 36   | 117.317          | 1297 304 055 |             | Bush                        | 1    |               |         | ●      |        |        |        |        |  |
| 37   | <b>145.534</b>   | 1297 304 151 |             | Gear 1st Speed 44 T         | 1    |               | AC      | ●      |        |        |        |        |  |
| 37   | <b>145.469</b>   | 1297 304 150 |             | Gear 1st Speed 47 T         | 1    |               | B       | ●      |        |        |        |        |  |

## Notes

- (4) To be coupled together with Fig. 9 - 0730 061 816  
 (5) To be coupled together with Fig. 9 - 0730 062 579

## Date

03 / 2006

## Table

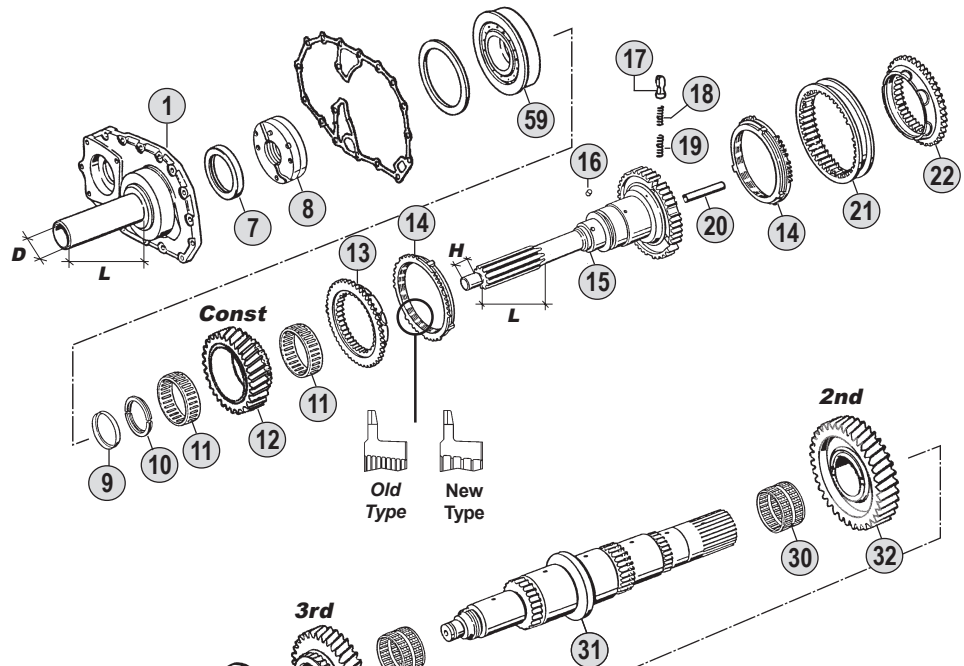
018 / A



Suitable To : **ZF**

**16K160**

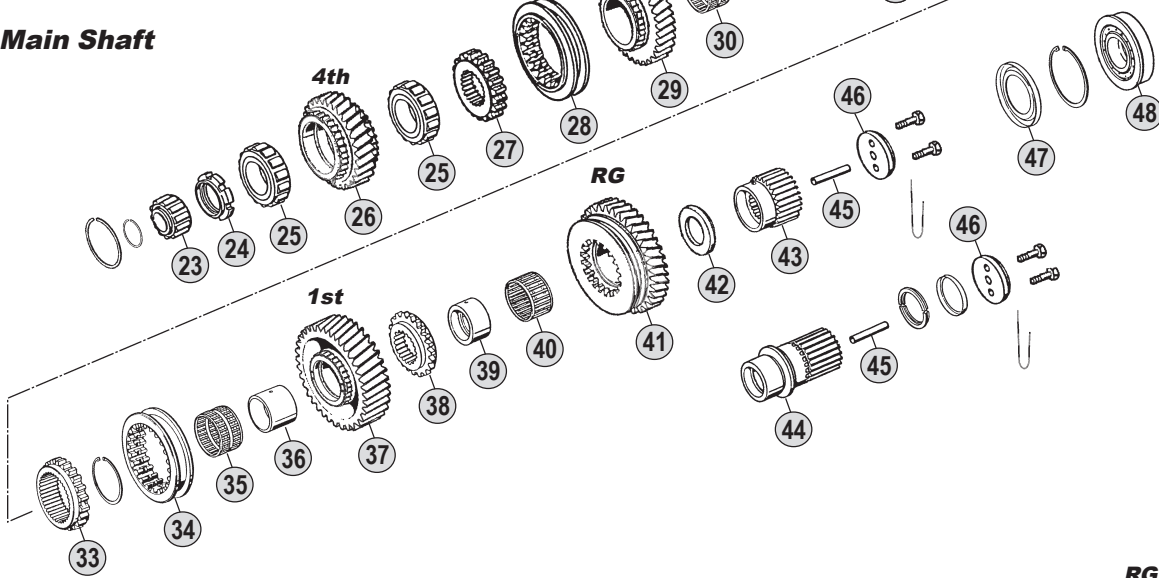
**Input Shaft**



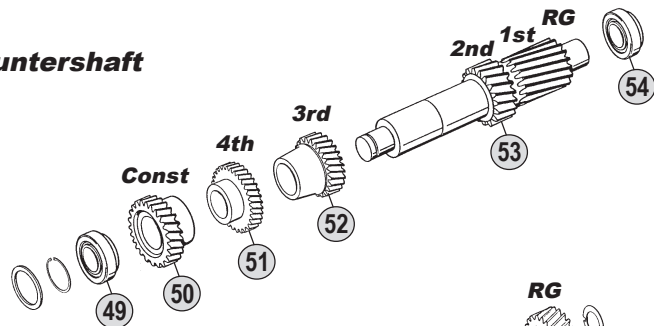
**Springs & Slides Kits**

|               |               |               |
|---------------|---------------|---------------|
| x 3           | x 6           | x 9           |
| x 3           | x 6           | x 9           |
| x 3           | x 6           | x 9           |
| <b>Kit 60</b> | <b>Kit 61</b> | <b>Kit 62</b> |

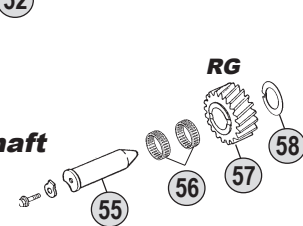
**Main Shaft**



**Countershaft**



**Reverse Shaft**



**Ratios**

16K160 A : 11,46 - 0,85 B : 13,68 - 1,00 C : 14,29 - 0,82 D : -- E : --

All original equipment manufacturers' numbers, symbols, pictures, models and description used in this catalogue are for reference only, and it is not implied that any part listed is the product of these manufactures. Tutti i nostri particolari non sono originali ma con essi intercambiabili. I riferimenti originali, le figure, i modelli sono esposti a semplice titolo indicativo. La nostra produzione riporta il nostro marchio.

| Fig. | O.E.M. Reference |              | Description | Q.ty                   | Note | Ratio |   |  |  |  |  |  |
|------|------------------|--------------|-------------|------------------------|------|-------|---|--|--|--|--|--|
|      | CEI no.          | ZF no.       |             |                        |      |       |   |  |  |  |  |  |
| 38   | 109.178          | 1297 304 154 | 689293      | Engaging Ring          | 1    |       | ● |  |  |  |  |  |
| 39   | 117.318          | 1297 304 034 | 691391      | Bush                   | 1    | AB    | ● |  |  |  |  |  |
| 40   | 137.111          | 0735 320 486 | 691353      | Needle Cage D.78x86x44 | 1    |       | ● |  |  |  |  |  |
| 41   | 147.109          | 1297 304 149 | 67083       | Reverse Gear 39 T      | 1    | AC    | ● |  |  |  |  |  |
| 41   | 147.140          | 1297 304 148 | 689294      | Reverse Gear 38 T      | 1    | B     | ● |  |  |  |  |  |
| 42   | 169.758          | 1297 304 177 |             | Thrust Washer          | 1    | AB    | ● |  |  |  |  |  |
| 43   | 157.177          | 1297 304 187 | 66377       | Sun Gear 27 T          | 1    | AB    | ● |  |  |  |  |  |
| 44   | 157.206          | 1297 304 265 | 67569       | Sun Gear 24 T          | 1    | C     | ● |  |  |  |  |  |
| 45   |                  | 0730 061 842 | 692222      | Oil Tube               | 1    |       | ● |  |  |  |  |  |
| 46   | 188.076          | 1272 304 021 | 609466      | Stop Washer            | 1    |       | ● |  |  |  |  |  |
| 47   |                  | 1295 304 129 | 692066      | Oil Collector          | 1    | AB    | ● |  |  |  |  |  |
| 47   |                  | 1297 301 004 | 691381      | Oil Collector          | 1    | C     | ● |  |  |  |  |  |
| 48   | 130.240          | 0750 118 153 | 69105       | Bearing D.60x130x31    | 1    | AB    | ● |  |  |  |  |  |
| 48   |                  | 0750 118 137 | 67052       | Bearing 80x140x26      | 1    | C     | ● |  |  |  |  |  |
| 49   | 130.242          | 0750 117 010 | 692181      | Bearing D.50,80x100x35 | 1    |       | ● |  |  |  |  |  |
| 50   | 146.383          | 1297 303 074 | 67079       | Constant Gear 31 T     | 1    | A     | ● |  |  |  |  |  |
| 50   | 146.322          | 1297 303 066 | 66361       | Constant Gear 34 T     | 1    | B     | ● |  |  |  |  |  |
| 50   | 146.319          | 1297 303 098 | 1327922     | Constant Gear 32 T     | 1    | C     | ● |  |  |  |  |  |
| 51   | 146.382          | 1297 303 072 | 67080       | Gear 4th Speed 34 T    | 1    | A     | ● |  |  |  |  |  |
| 51   | 146.381          | 1297 303 065 | 66362       | Gear 4th Speed 31 T    | 1    | B     | ● |  |  |  |  |  |
| 51   | 146.447          | 1297 303 114 |             | Gear 4th Speed 39 T    | 1    | C     | ● |  |  |  |  |  |
| 52   | 146.446          | 1297 303 081 | 1360741     | Gear 3rd Speed 28 T    | 1    | AC    | ● |  |  |  |  |  |
| 52   | 146.380          | 1297 303 077 |             | Gear 3rd Speed 25 T    | 1    | B     | ● |  |  |  |  |  |
| 53   | 105.116          | 1297 303 048 | 67554       | Countershaft 19-23 T   | 1    | AC    | ● |  |  |  |  |  |
| 53   | 105.091          | 1297 303 047 |             | Countershaft 17-20 T   | 1    | B     | ● |  |  |  |  |  |
| 54   | 130.243          | 0750 117 008 | 692180      | Bearing D.50x110x42    | 1    |       | ● |  |  |  |  |  |
| 55   | 107.108          | 1295 305 056 | 692068      | Reverse Gear Pin       | 1    |       | ● |  |  |  |  |  |
| 56   | 137.007          | 0750 115 011 | 584385      | Needle Cage D.45x53x21 | 2    |       | ● |  |  |  |  |  |
| 57   | 147.133          | 1295 305 051 | 691719      | Reverse Gear 21 T      | 1    | AC    | ● |  |  |  |  |  |
| 57   | 147.094          | 1295 305 052 | 689290      | Reverse Gear 24 T      | 1    | B     | ● |  |  |  |  |  |
| 58   | 169.234          | 0730 150 064 | 584383      | Thrust Washer          | 1    |       | ● |  |  |  |  |  |
| 59   | 130.305          | 0750 118 131 | 692179      | Bearing D.80x150x27,50 | 1    |       | ● |  |  |  |  |  |
| 60   | 198.339          | 1268 298 938 |             | Spring Slide Set       | 1    |       | ● |  |  |  |  |  |
| 61   | 198.564          | CEI 198564   |             | Spring Slide Set       | 1    |       | ● |  |  |  |  |  |
| 62   | 198.842          | 1295 298 933 |             | Spring Slide Set       | 1    |       | ● |  |  |  |  |  |

## Notes

- (4) To be coupled together with Fig. 9 - 0730 061 816  
 (5) To be coupled together with Fig. 9 - 0730 062 579

## Date

03 / 2006

## Table

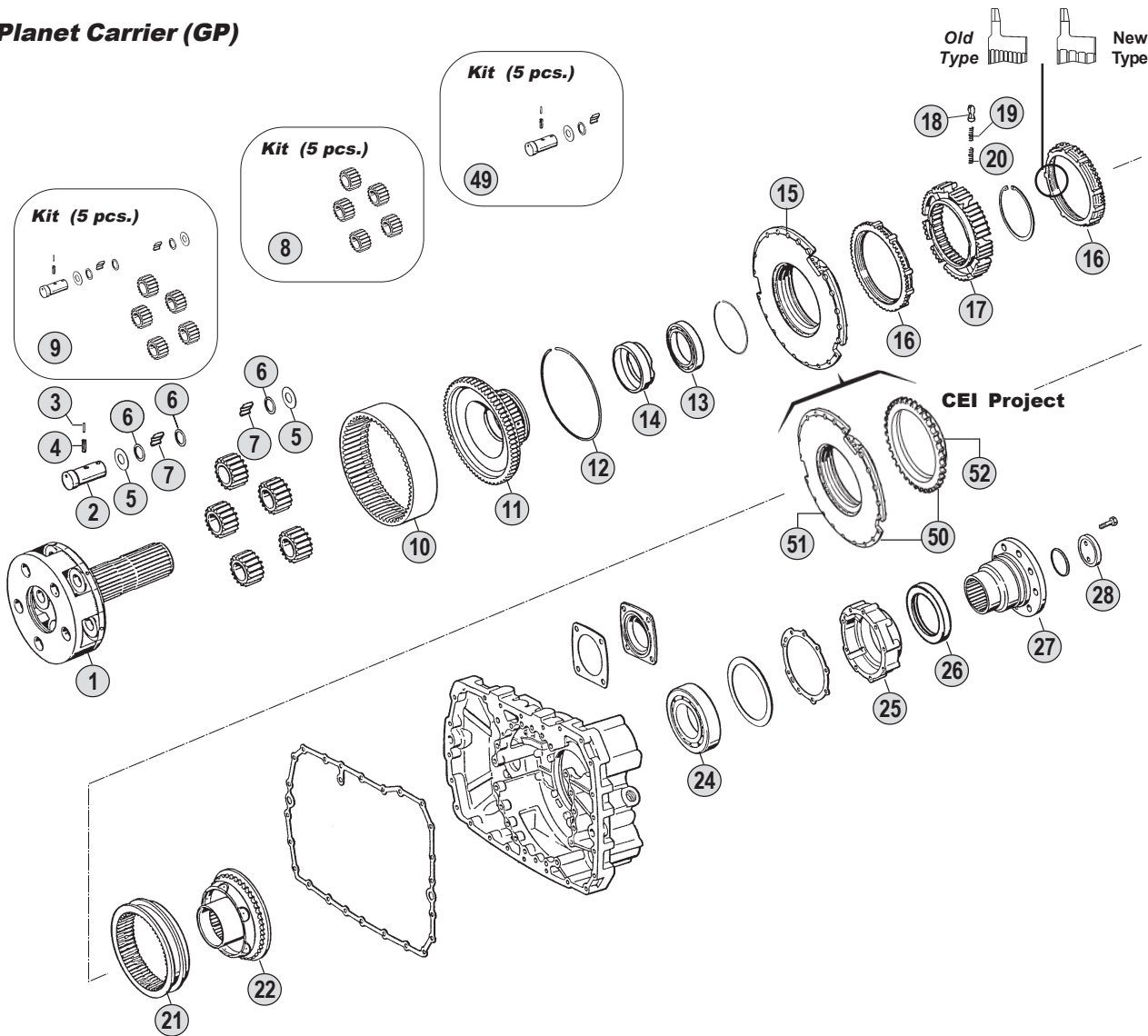
018 / A

All original equipment manufacturers numbers, symbols, pictures, models and description used in this catalogue are for reference only, and it is not implied that any part listed is the product of these manufactures.  
 Tutti i nostri particolari non sono originali ma con essi intercambiabili. I riferimenti originali, le figure, i modelli sono esposti a semplice titolo indicativo. La nostra produzione riporta il nostro marchio.

Suitable To : **ZF**

**16K160**

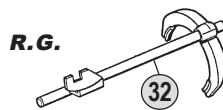
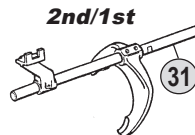
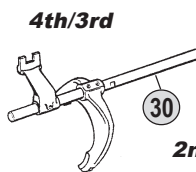
**Planet Carrier (GP)**



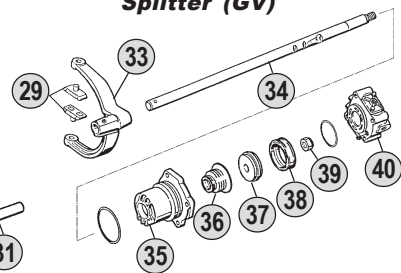
**Shifting Forks**

**Springs & Slide Kits**

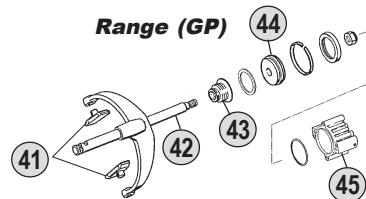
|               |               |               |
|---------------|---------------|---------------|
| x 3           | x 6           | x 9           |
| x 3           | x 6           | x 9           |
| x 3           | x 6           | x 9           |
| <b>Kit 46</b> | <b>Kit 47</b> | <b>Kit 48</b> |



**Splitter (GV)**



**Range (GP)**



**Ratios**

16K160 A:11,46 - 0,85 B: 13,68 - 1,00 C:14,29 - 0,82 D:-- E:--

All original equipment manufacturers' numbers, symbols, pictures, models and description used in this catalogue are for reference only, and it is not implied that any part listed is the product of these manufactures. Tutti i nostri particolari non sono originali ma con essi intercambiabili. I riferimenti originali, le figure, i modelli sono esposti a semplice titolo indicativo. La nostra produzione riporta il nostro marchio.

| Fig. | CEI no. | O.E.M. Reference |         | Description                     | Q.ty | Note        | Ratio |   |  |  |  |  |  |  |
|------|---------|------------------|---------|---------------------------------|------|-------------|-------|---|--|--|--|--|--|--|
|      |         | ZF no.           | DAF no. |                                 |      |             |       |   |  |  |  |  |  |  |
| 1    | 190.396 | 1297 232 039     | 66391   | Planetary Carrier               | 1    |             | AB    | ● |  |  |  |  |  |  |
| 1    | 190.395 | 1297 232 045     | 67062   | Planetary Carrier               | 1    |             | C     | ● |  |  |  |  |  |  |
| 2    | 107.163 | 1297 332 109     | 691407  | Planet Shaft                    | 5    |             |       | ● |  |  |  |  |  |  |
| 3    | 160.191 | 0631 329 017     |         | Lock Pin D.3x24                 | 5    |             |       | ● |  |  |  |  |  |  |
| 4    | 160.192 | 0631 329 050     |         | Lock Pin D.5x24                 | 5    |             |       | ● |  |  |  |  |  |  |
| 5    | 169.753 | 0501 306 212     | 691327  | Thrust Washer D.29x64x1,5       | 10   |             |       | ● |  |  |  |  |  |  |
| 6    | 169.410 | 0730 103 846     | 692246  | Spacer Ring D.29x39x1,00        | 15   |             |       | ● |  |  |  |  |  |  |
| 7    | 171.045 | 0750 119 109     | 691356  | Roller Set D.10x16,80 (120 pcs) | 120  |             |       | ● |  |  |  |  |  |  |
| 8    | 198.803 | 1297 232 023     | 66390   | Planetary Gear Set (5 pcs)      | 1    |             | AB    | ● |  |  |  |  |  |  |
| 8    | 198.810 | 1297 232 024     | 691380  | Planetary Gear Set (5 pcs)      | 1    |             | C     | ● |  |  |  |  |  |  |
| 9    | 198.704 | 1297 298 912     |         | Planetary Gear Set              | 1    |             | AB    | ● |  |  |  |  |  |  |
| 9    |         | 1297 298 919     |         | Planetary Gear Set              | 1    |             | C     | ● |  |  |  |  |  |  |
| 10   | 123.217 | 1297 332 080     | 66393   | Crown Gear 83 T                 | 1    |             | AB    | ● |  |  |  |  |  |  |
| 10   | 123.208 | 1295 332 086     | 69091   | Crown Gear 86 T                 | 1    |             | C     | ● |  |  |  |  |  |  |
| 11   | 150.138 | 1297 332 017     | 66392   | Flange Gear 83 T                | 1    |             | AB    | ● |  |  |  |  |  |  |
| 11   | 150.137 | 1297 332 035     | 691409  | Flange Gear 86 T                | 1    |             | C     | ● |  |  |  |  |  |  |
| 12   | 111.129 | 0730 505 055     | 692259  | Locking Wire                    | 1    |             | AB    | ● |  |  |  |  |  |  |
| 12   | 111.198 | 0730 505 056     | 691340  | Locking Wire                    | 1    |             | C     | ● |  |  |  |  |  |  |
| 13   | 130.310 | 0750 116 165     | 69395   | Bearing D.80x110x16             | 1    |             |       | ● |  |  |  |  |  |  |
| 14   |         | 1297 332 002     | 1300625 | Ring                            | 1    |             |       | ● |  |  |  |  |  |  |
| 15   | 198.358 | 1296 233 006     | 689812  | Synchronizer Cone               | 1    |             |       | ● |  |  |  |  |  |  |
| 16   | 119.085 | 1296 333 022     | 1303708 | Synchronizer Ring               | 2    | Old Type    |       | ● |  |  |  |  |  |  |
| 16   | 119.172 | 1296 333 045     | 1354113 | Synchronizer Ring               | 2    | New Type    |       | ● |  |  |  |  |  |  |
| 17   | 157.113 | 1296 333 002     | 692167  | Synchronizer Hub                | 1    |             |       | ● |  |  |  |  |  |  |
| 18   | 160.116 | 1240 304 278     | 326962  | Pressure Piece                  | 9    |             |       | ● |  |  |  |  |  |  |
| 19   | 156.036 | 0732 040 386     | 326964  | Inner Spring De.3x34            | 9    |             |       | ● |  |  |  |  |  |  |
| 20   | 156.037 | 0732 040 385     | 326963  | Outer Spring De.6x34            | 9    |             |       | ● |  |  |  |  |  |  |
| 21   | 154.098 | 1296 333 023     | 689814  | Sliding Sleeve                  | 1    |             |       | ● |  |  |  |  |  |  |
| 22   | 198.374 | 1313 233 001     | 691378  | Synchronizer Cone (38 Spl.)     | 1    |             |       | ● |  |  |  |  |  |  |
| 24   | 130.245 | 0750 116 002     | 692184  | Bearing D.90x160x30             | 1    |             |       | ● |  |  |  |  |  |  |
| 25   |         | 1296 301 067     | 513935  | Cover                           | 1    |             |       | ● |  |  |  |  |  |  |
| 26   |         | 0750 111 341     | 1304242 | Oil Seal 105x130x12             | 1    |             |       | ● |  |  |  |  |  |  |
| 27   |         | 1297 338 041     | 689335  | Output Flange                   | 1    | D.180-4 H.  |       | ● |  |  |  |  |  |  |
| 27   |         | 1297 338 010     | 691412  | Output Flange                   | 1    | D.180-10 H. |       | ● |  |  |  |  |  |  |
| 28   | 188.077 | 1295 332 051     | 696097  | Stop Washer                     | 1    |             |       | ● |  |  |  |  |  |  |
| 29   | 141.068 | 1295 306 132     | 696445  | Bronze Slide                    | 2    |             |       | ● |  |  |  |  |  |  |
| 30   |         | 1297 206 077     |         | Fork                            | 1    |             |       | ● |  |  |  |  |  |  |
| 30   |         | 1297 206 083     |         | Fork                            | 1    |             |       | ● |  |  |  |  |  |  |
| 31   |         | 1297 206 076     |         | Fork                            | 1    |             |       | ● |  |  |  |  |  |  |
| 31   |         | 1297 206 082     |         | Fork                            | 1    |             |       | ● |  |  |  |  |  |  |
| 32   |         | 1297 206 172     |         | Fork                            | 1    |             |       | ● |  |  |  |  |  |  |
| 32   |         | 1297 206 173     | 67572   | Fork                            | 1    |             |       | ● |  |  |  |  |  |  |
| 32   |         | 1297 206 184     |         | Fork                            | 1    |             |       | ● |  |  |  |  |  |  |
| 33   |         | 1313 312 002     | 689936  | Fork                            | 1    |             |       | ● |  |  |  |  |  |  |
| 34   |         | 1297 312 007     |         | Rod                             | 1    |             |       | ● |  |  |  |  |  |  |

Notes

Date

03 / 2006

Table

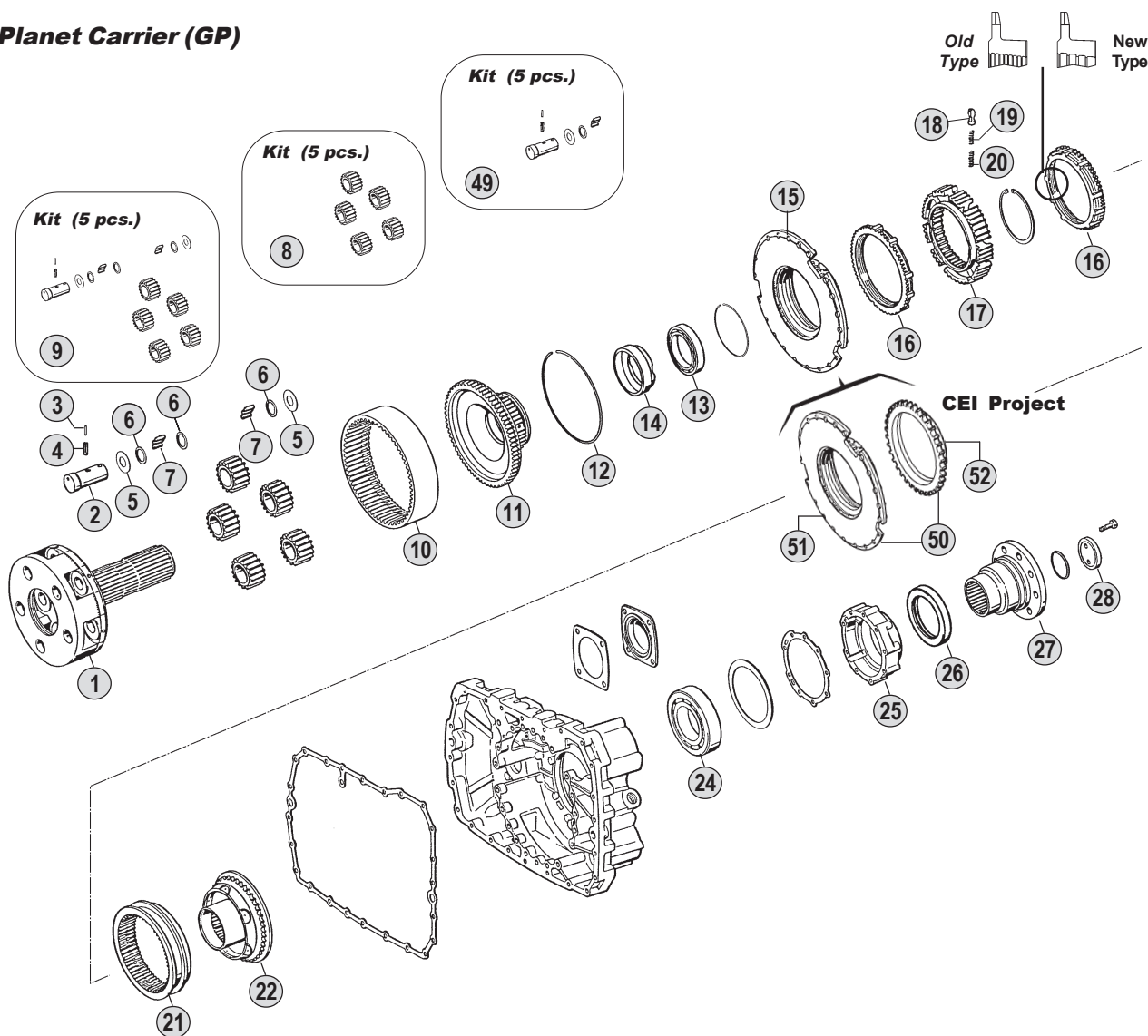
018 / B

All original equipment manufacturers numbers, symbols, pictures, models and description used in this catalogue are for reference only, and it is not implied that any part listed is the product of these manufactures.  
Tutti i nostri particolari non sono originali ma con essi intercambiabili. I riferimenti originali, le figure, i modelli sono esposti a semplice titolo indicativo. La nostra produzione riporta il nostro marchio.

Suitable To : **ZF**

**16K160**

**Planet Carrier (GP)**

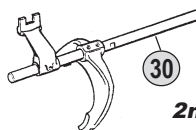


**Shifting Forks**

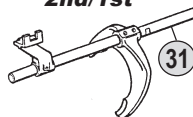
**Springs & Slide Kits**

|               |               |               |
|---------------|---------------|---------------|
| x 3           | x 6           | x 9           |
| x 3           | x 6           | x 9           |
| x 3           | x 6           | x 9           |
| <b>Kit 46</b> | <b>Kit 47</b> | <b>Kit 48</b> |

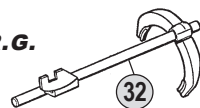
**4th/3rd**



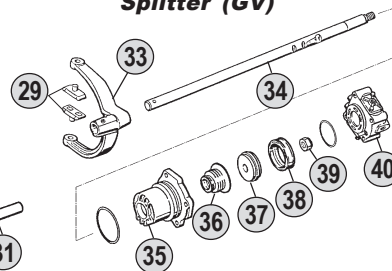
**2nd/1st**



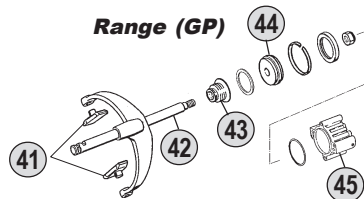
**R.G.**



**Splitter (GV)**



**Range (GP)**



**Ratios**

16K160 A:11,46 - 0,85 B: 13,68 - 1,00 C:14,29 - 0,82 D:-- E:--

All original equipment manufacturers' numbers, symbols, pictures, models and description used in this catalogue are for reference only, and it is not implied that any part listed is the product of these manufactures. Tutti i nostri particolari non sono originali ma con essi intercambiabili. I riferimenti originali, le figure, i modelli sono esposti a semplice titolo indicativo. La nostra produzione riporta il nostro marchio.





suitable to :

**Z.F.****EcoSplit I****From 16S112 to 16S190****Application**

|                 | <b>16S112</b> | <b>16S130</b> | <b>16S160</b> | <b>16S190</b> |
|-----------------|---------------|---------------|---------------|---------------|
|                 | (1296)        | (1295)        | (1297)        | (1297)        |
| <b>MERCEDES</b> |               |               |               |               |
| <b>M.A.N.</b>   |               |               |               |               |
| <b>IVECO</b>    |               |               |               |               |
| <b>R.V.I.</b>   |               |               |               |               |
| <b>DAF</b>      |               |               |               |               |
| <b>VOLVO</b>    |               |               |               |               |

**Ratios**

|               | <b>R.10,14-0,72</b> | <b>R.11,46-0,85</b> | <b>R.13,68-1,00</b> | <b>R.14,29-0,82</b> | <b>R.17,06-1,00</b> |
|---------------|---------------------|---------------------|---------------------|---------------------|---------------------|
|               | <b>A</b>            | <b>B</b>            | <b>C</b>            | <b>D</b>            | <b>E</b>            |
| <b>16S112</b> |                     |                     |                     |                     |                     |
| <b>16S130</b> |                     |                     |                     |                     |                     |
| <b>16S160</b> |                     |                     |                     |                     |                     |
| <b>16S190</b> |                     |                     |                     |                     |                     |

All original equipment manufacturers numbers, symbols, pictures, models and description used in this catalogue are for reference only, and it is not implied that any part listed is the product of these manufacturers. Tutti i nostri particolari non sono originali ma con essi intercambiabili. I riferimenti originali, le figure, i modelli sono esposti a semplice titolo indicativo. La nostra produzione riporta il nostro marchio.

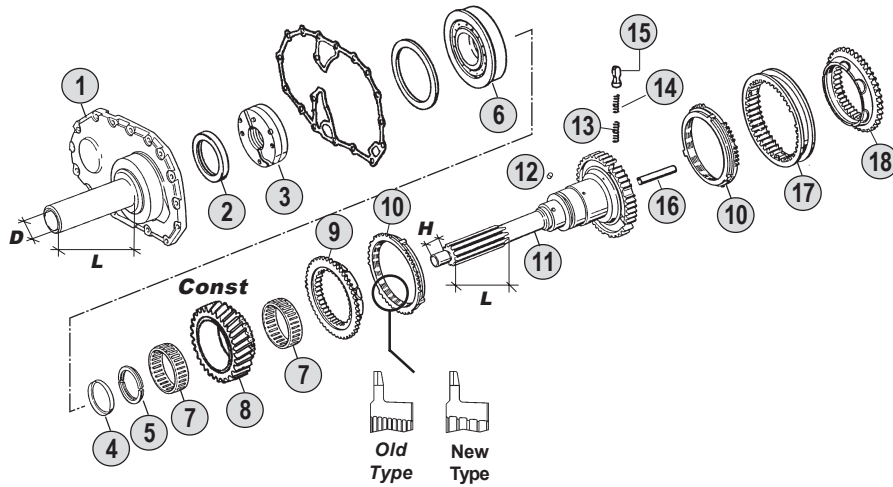
**ECO I**  
From 16S112  
To 16S190



Suitable To : **ZF**

**16S112 - 16S130 - 16S160 - 16S190**

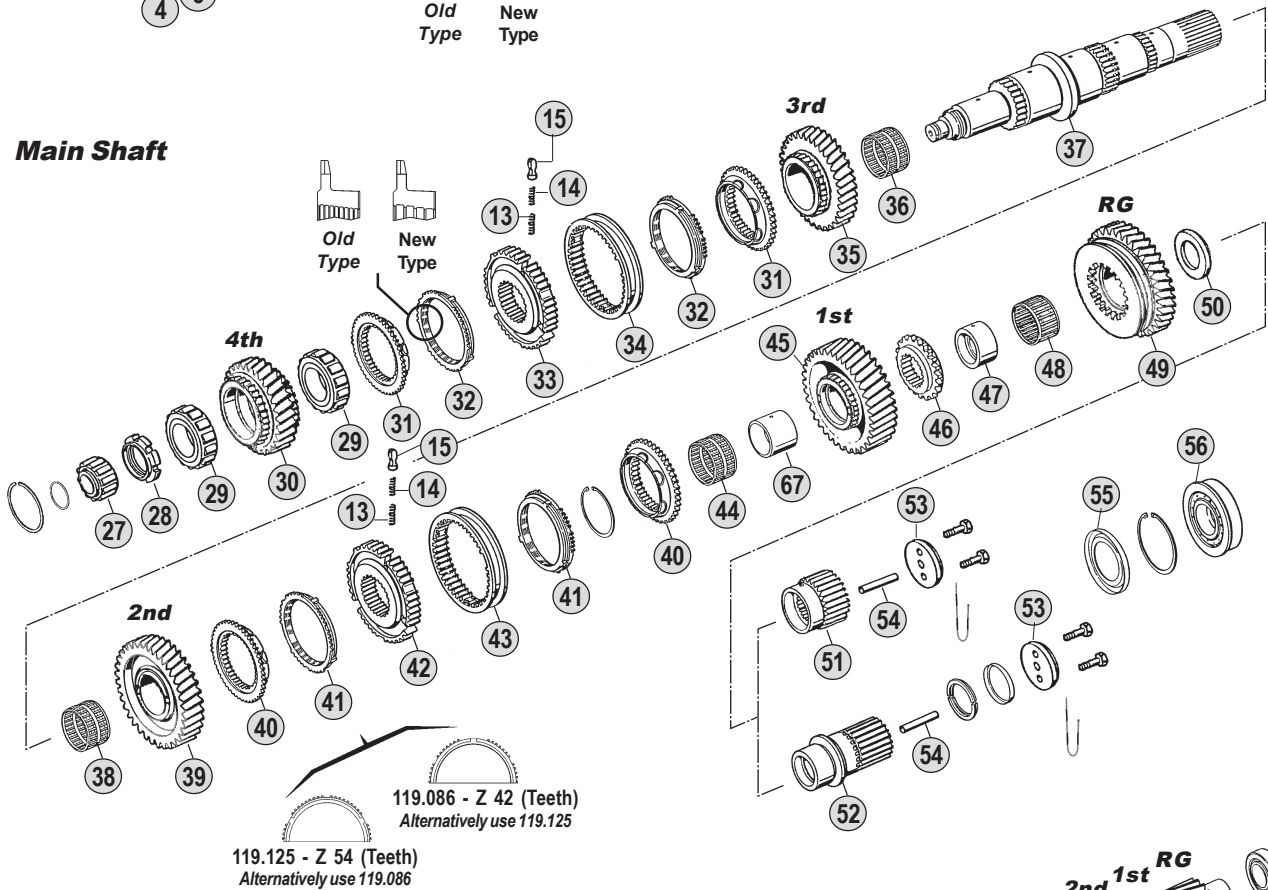
**Input Shaft**



**Springs & Slides Kits**

|               |               |               |
|---------------|---------------|---------------|
| x 3           | x 6           | x 9           |
| x 3           | x 6           | x 9           |
| x 3           | x 6           | x 9           |
| <b>Kit 68</b> | <b>Kit 69</b> | <b>Kit 70</b> |

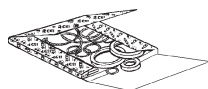
**Main Shaft**



**Kits**

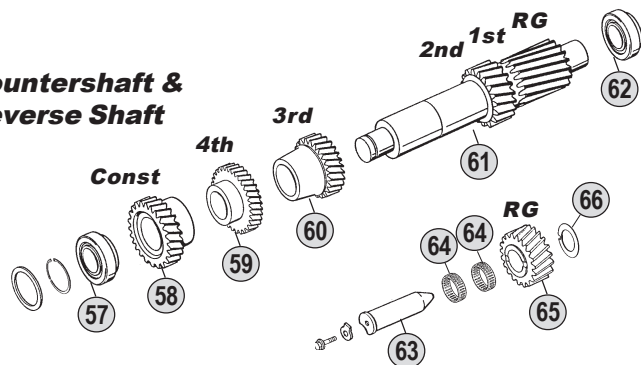


**Gasket Kit 72**



**Oil Seal Kit 71**

**Countershaft & Reverse Shaft**



**Ratios**

|               |              |                 |                 |                 |              |
|---------------|--------------|-----------------|-----------------|-----------------|--------------|
| <b>16S112</b> | A:--         | B: 11,46 - 0,85 | C: 13,68 - 1,00 | D: --           | E:--         |
| <b>16S130</b> | A:10,14-0,72 | B: 11,46 - 0,85 | C: 13,68 - 1,00 | D: 14,29 - 0,82 | E:--         |
| <b>16S160</b> | A:--         | B: 11,46 - 0,85 | C: 13,68 - 1,00 | D: 14,29 - 0,82 | E:17,06-1,00 |
| <b>16S190</b> | A:--         | B: 11,46 - 0,85 | C: 13,68 - 1,00 | D: 14,29 - 0,82 | E:17,06-1,00 |



All original equipment manufacturers' numbers, symbols, pictures, models and description used in this catalogue are for reference only, and it is not implied that any part listed is the product of these manufactures. Tutti i nostri particolari non sono originali ma con essi intercambiabili. I riferimenti originali, le figure, i modelli sono esposti a semplice titolo indicativo. La nostra produzione riporta il nostro marchio.

16S112 (1296)  
16S130 (1295)  
16S160 (1297)  
16S190 (1297)

| Fig. | O.E.M. Reference |              | Description | Q.ty                      | Note | Ratio               |         |               |               |               |               |
|------|------------------|--------------|-------------|---------------------------|------|---------------------|---------|---------------|---------------|---------------|---------------|
|      | CEI no.          | ZF no.       |             |                           |      |                     | DAF no. | 16S112 (1296) | 16S130 (1295) | 16S160 (1297) | 16S190 (1297) |
| 1    |                  | 1297 302 011 | 689901      | Front Cover               | 1    | L=147-D=57          | ●       | ●             | ●             |               |               |
| 1    |                  | 1297 302 013 | 692071      | Front Cover               | 1    | L=170-D=57          | ●       | ●             | ●             | ●             |               |
| 2    |                  | 0750 111 002 | 609458      | Oil Seal 48x75x8          | 1    |                     | ●       | ●             | ●             | ●             |               |
| 2    |                  | 0634 310 733 | 691662      | Oil Seal 90x110x13        | 1    | (1)                 | ●       | ●             |               |               |               |
| 3    | <b>280.348</b>   | 1295 202 041 | 692203      | Oil Pump                  | 1    |                     | ●       | ●             | ●             | ●             |               |
| 4    | 169.754          | 0730 061 816 | 609456      | Securing Ring             | 1    |                     | ●       | ●             | ●             | ●             |               |
| 4    | 169.755          | 0730 062 579 | 698621      | Securing Ring             | 1    | S.4,20 mm           | ●       | ●             | ●             | ●             |               |
| 5    |                  | 0730 103 244 | 609454      | Split Ring T.4,30 mm      | 1    | (2)                 | ●       | ●             | ●             | ●             |               |
| 5    |                  | 0730 103 935 | 692202      | Split Ring T.3,80 mm      | 1    | (2)                 | ●       | ●             | ●             | ●             |               |
| 5    |                  | 0730 105 156 | 698685      | Split Ring T.4,00 mm      | 1    | (3)                 | ●       | ●             | ●             | ●             |               |
| 5    |                  | 0730 105 154 |             | Split Ring T.3,80 mm      | 1    | (3)                 | ●       | ●             | ●             | ●             |               |
| 6    | 130.305          | 0750 118 131 | 692179      | Bearing D.80x150x27,50    | 1    |                     | ●       | ●             | ●             | ●             |               |
| 7    | 137.139          | 0735 320 799 | 696442      | Needle Cage D.88x96x23    | 2    |                     | ●       |               |               |               |               |
| 7    | <b>137.082</b>   | 0735 320 786 | 692204      | Needle Cage D.88x96x24,50 | 2    |                     |         | ●             |               |               |               |
| 7    | <b>137.153</b>   | 0735 320 896 | 698642      | Needle Cage D.88x96x29    | 2    |                     |         |               | ●             | ●             |               |
| 8    | 145.535          | 1296 302 002 | 513774      | Constant Gear 30 T        | 1    |                     | B       | ●             |               |               |               |
| 8    | <b>145.447</b>   | 1296 302 003 | 689902      | Constant Gear 28 T        | 1    |                     | C       | ●             |               |               |               |
| 8    | <b>145.276</b>   | 1295 302 071 | 696921      | Constant Gear 28 T        | 1    |                     | AC      |               | ●             |               |               |
| 8    | 145.489          | 1295 302 070 | 692072      | Constant Gear 30 T        | 1    |                     | B       |               | ●             |               |               |
| 8    | 145.541          | 1295 302 122 | 67054       | Constant Gear 29 T        | 1    |                     | D       |               | ●             |               |               |
| 8    | <b>145.466</b>   | 1297 302 177 | 67076       | Constant Gear 30 T        | 1    |                     | B       |               |               | ●             | ●             |
| 8    | <b>145.406</b>   | 1297 302 176 | 66359       | Constant Gear 28 T        | 1    |                     | C       |               |               | ●             | ●             |
| 8    | <b>145.405</b>   | 1297 302 250 | 1327921     | Constant Gear 29 T        | 1    |                     | D       |               |               | ●             | ●             |
| 8    | <b>145.407</b>   | 1297 302 241 | 1255960     | Constant Gear 26 T        | 1    |                     | E       |               |               | ●             | ●             |
| 9    | <b>109.072</b>   | 1295 304 278 | 692073      | Synchronizer Cone         | 1    |                     |         | ●             | ●             | ●             | ●             |
| 10   | <b>119.084</b>   | 1295 304 004 | 692075      | Synchronizer Ring         | 2    | Old Type            |         | ●             | ●             | ●             | ●             |
| 10   | <b>119.175</b>   | 1304 304 686 |             | Synchronizer Ring         | 2    | New Type            |         | ●             | ●             | ●             | ●             |
| 11   | 102.229          | 1296 202 006 | 689900      | Input Shaft               | 1    |                     |         | ●             |               |               |               |
| 11   |                  | 1296 221 001 | 696441      | Input Shaft               | 1    | NMV130 (Clutch PTO) |         | ●             |               |               |               |
| 11   | 102.230          | 1295 202 004 | 692069      | Input Shaft               | 1    | L=115H=32           |         |               | ●             |               |               |
| 11   | 102.250          | 1295 202 005 | 67053       | Input Shaft               | 1    | L=95H=32            |         |               | ●             |               |               |
| 11   | 102.252          | 1295 202 011 |             | Input Shaft               | 1    |                     |         |               | ●             |               |               |
| 11   |                  | 1295 221 001 | 1339458     | Input Shaft               | 1    | NMV130 (Clutch PTO) |         |               | ●             |               |               |
| 11   | 102.245          | 1297 202 004 | 691379      | Input Shaft               | 1    | L=115H=32           |         |               |               | ●             | ●             |
| 11   | 102.246          | 1297 202 052 | 66358       | Input Shaft               | 1    |                     |         |               |               | ●             |               |
| 12   |                  | 0635 470 012 | 110478      | Pin                       | 1    |                     |         | ●             | ●             | ●             | ●             |
| 13   | <b>156.037</b>   | 0732 040 385 | 326963      | Outer Spring De.6x34      | 3    |                     |         | ●             | ●             | ●             | ●             |
| 14   | <b>156.036</b>   | 0732 040 386 | 326964      | Inner Spring De.3x34      | 3    |                     |         | ●             | ●             | ●             | ●             |
| 15   | <b>160.116</b>   | 1240 304 278 | 326962      | Pressure Piece            | 3    |                     |         | ●             | ●             | ●             | ●             |
| 16   | 188.208          | 0730 062 323 |             | Oil Tube                  | 1    |                     |         | ●             | ●             | ●             | ●             |
| 17   | <b>154.097</b>   | 1295 304 002 | 692074      | Sliding Sleeve            | 1    |                     |         | ●             | ●             | ●             | ●             |
| 18   | <b>109.072</b>   | 1295 304 278 | 692073      | Synchronizer Cone         | 1    |                     |         | ●             | ●             | ●             | ●             |
| 27   | 137.081          | 0750 118 010 | 692182      | Roller Cage D.30x60x25,50 | 1    |                     |         | ●             | ●             |               |               |
| 27   | 137.113          | 0750 118 038 | 1336466     | Roller Cage D.35x68x27,50 | 1    |                     |         |               |               | ●             | ●             |
| 28   | 187.412          | 0737 502 092 | 692208      | Grooved Nut M60x1,5       | 1    |                     |         | ●             | ●             | ●             | ●             |

## Notes

- (1) Only for input Shaft 1295 221 001 - 1296 221 001  
 (2) To be coupled together with Fig. 4 - 0730 061 816  
 (3) To be coupled together with Fig. 4 - 0730 062 579  
 (6) Old Type. Old Syncro Ring Ø 175.5 mm ( Z 57 or 30) - Standard Syncro Ring Ø 192 mm (Z 63 or 54). Use items marked note (6) together  
 (7) Old Type having straight teeth. Use items marked (7) together.

## Date

03 / 2006

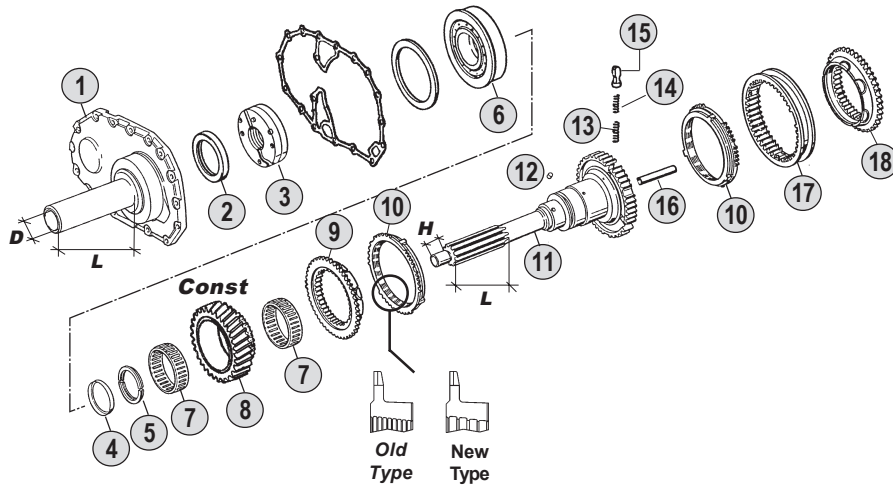
## Table

019 / A

Suitable To : **ZF**

**16S112 - 16S130 - 16S160 - 16S190**

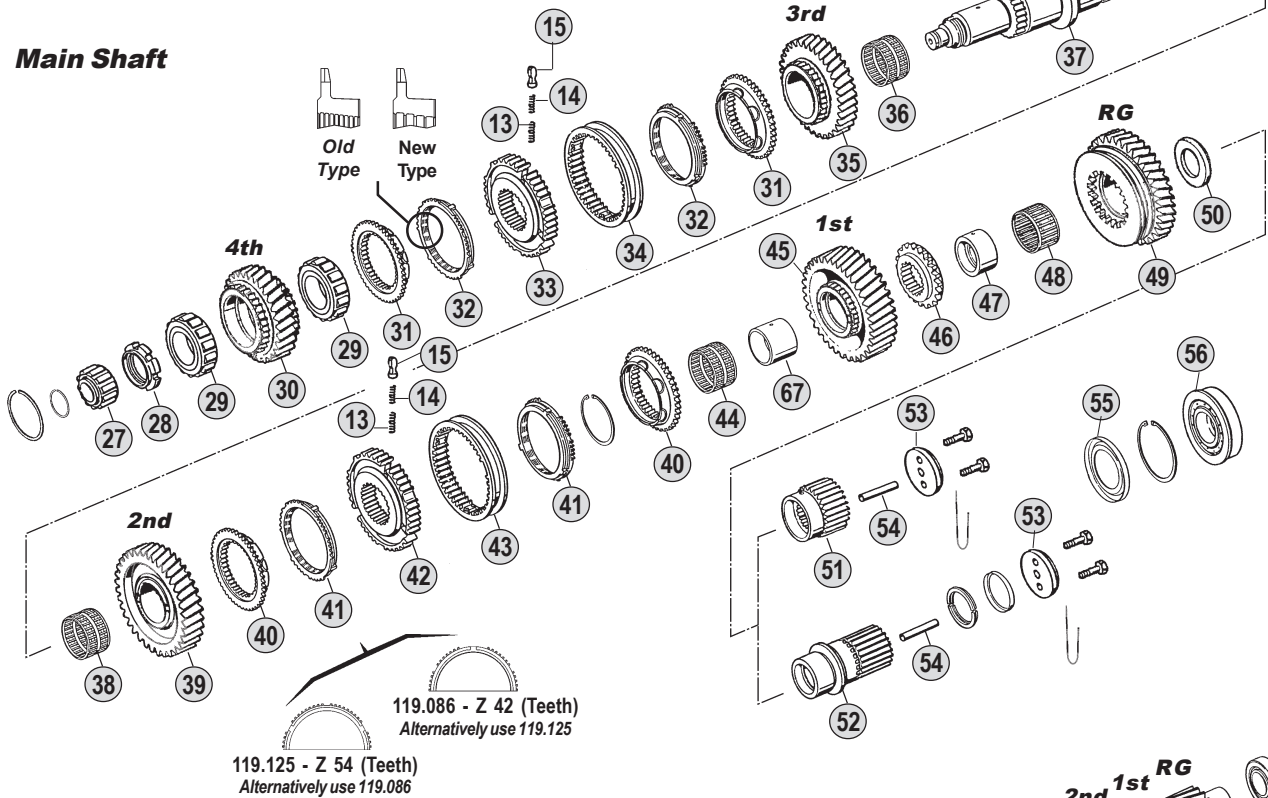
**Input Shaft**



**Springs & Slides Kits**

|               |               |               |
|---------------|---------------|---------------|
| x 3           | x 6           | x 9           |
| x 3           | x 6           | x 9           |
| x 3           | x 6           | x 9           |
| <b>Kit 68</b> | <b>Kit 69</b> | <b>Kit 70</b> |

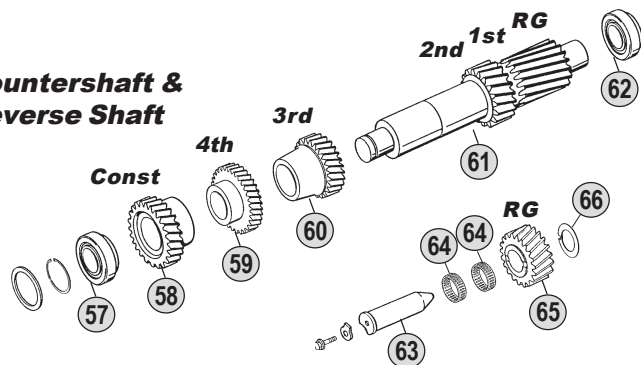
**Main Shaft**



**Kits**



**Countershaft & Reverse Shaft**



**Ratios**

|               |              |                 |                 |                 |              |
|---------------|--------------|-----------------|-----------------|-----------------|--------------|
| <b>16S112</b> | A:--         | B: 11,46 - 0,85 | C: 13,68 - 1,00 | D: --           | E:--         |
| <b>16S130</b> | A:10,14-0,72 | B: 11,46 - 0,85 | C: 13,68 - 1,00 | D: 14,29 - 0,82 | E:--         |
| <b>16S160</b> | A:--         | B: 11,46 - 0,85 | C: 13,68 - 1,00 | D: 14,29 - 0,82 | E:17,06-1,00 |
| <b>16S190</b> | A:--         | B: 11,46 - 0,85 | C: 13,68 - 1,00 | D: 14,29 - 0,82 | E:17,06-1,00 |



All original equipment manufacturers' numbers, symbols, pictures, models and description used in this catalogue are for reference only, and it is not implied that any part listed is the product of these manufactures. Tutti i nostri particolari non sono originali ma con essi intercambiabili. I riferimenti originali, le figure, i modelli sono esposti a semplice titolo indicativo. La nostra produzione riporta il nostro marchio.

## O.E.M. Reference

| Fig. | CEI no. | O.E.M. Reference |         | Description                 | Q.ty | Note     | Ratio |               |               |               |               |  |
|------|---------|------------------|---------|-----------------------------|------|----------|-------|---------------|---------------|---------------|---------------|--|
|      |         | ZF no.           | DAF no. |                             |      |          |       | 16S112 (1296) | 16S130 (1295) | 16S160 (1297) | 16S190 (1297) |  |
| 29   | 137.155 | 0750 118 012     | 689918  | Roller Cage D.63x97,5x31,7  | 2    |          |       | ●             |               |               |               |  |
| 29   | 137.083 | 0750 118 005     | 692209  | Roller Cage D.63x97,5x34,80 | 2    |          |       | ●             |               |               |               |  |
| 29   | 137.157 | 0750 118 220     | 691359  | Roller Cage D.63x97,5x37,50 | 2    |          |       |               | ●             | ●             |               |  |
| 30   | 146.448 | 1296 304 091     | 513784  | Gear 4th Speed 28 T         | 1    |          | B     | ●             |               |               |               |  |
| 30   | 146.362 | 1296 304 090     | 689919  | Gear 4th Speed 30 T         | 1    |          | C     | ●             |               |               |               |  |
| 30   | 146.212 | 1295 304 135     | 696930  | Gear 4th Speed 30 T         | 1    |          | AC    |               | ●             |               |               |  |
| 30   | 146.356 | 1295 304 136     | 692093  | Gear 4th Speed 28 T         | 1    |          | B     |               | ●             |               |               |  |
| 30   | 146.454 | 1295 304 236     | 67059   | Gear 4th Speed 26 T         | 1    |          | D     |               | ●             |               |               |  |
| 30   | 146.384 | 1297 304 267     | 67085   | Gear 4th Speed 28 T         | 1    |          | B     |               |               | ●             | ●             |  |
| 30   | 146.318 | 1297 304 260     | 66376   | Gear 4th Speed 30 T         | 1    |          | C     |               |               | ●             | ●             |  |
| 30   | 146.315 | 1297 304 318     | 1324219 | Gear 4th Speed 26 T         | 1    |          | D     |               |               | ●             | ●             |  |
| 30   | 146.294 | 1297 304 413     | 1255966 | Gear 4th Speed 29 T         | 1    |          | E     |               |               | ●             | ●             |  |
| 31   | 109.072 | 1295 304 278     | 692073  | Synchronizer Cone           | 2    |          |       | ●             | ●             | ●             | ●             |  |
| 32   | 119.084 | 1295 304 004     | 692075  | Synchronizer Ring           | 2    | Old Type |       | ●             | ●             | ●             | ●             |  |
| 32   | 119.175 | 1304 304 686     |         | Synchronizer Ring           | 2    | New Type |       | ●             | ●             | ●             | ●             |  |
| 33   | 157.110 | 1297 304 031     | 692083  | Synchronizer Hub            | 1    |          |       | ●             | ●             | ●             | ●             |  |
| 34   | 154.097 | 1295 304 002     | 692074  | Sliding Sleeve              | 1    |          |       | ●             | ●             | ●             | ●             |  |
| 35   | 145.536 | 1296 304 088     |         | Gear 3rd Speed 32 T         | 1    |          | B     | ●             |               |               |               |  |
| 35   | 145.494 | 1296 304 087     | 689916  | Gear 3rd Speed 34 T         | 1    |          | C     | ●             |               |               |               |  |
| 35   |         | 1295 304 269     | 696931  | Gear 3rd Speed 25 T         | 1    |          | A     |               | ●             |               |               |  |
| 35   | 145.495 | 1295 304 127     | 692092  | Gear 3rd Speed 32 T         | 1    |          | BD    |               | ●             |               |               |  |
| 35   | 145.277 | 1295 304 128     | 698133  | Gear 3rd Speed 34 T         | 1    |          | C     |               | ●             |               |               |  |
| 35   | 145.470 | 1297 304 266     | 67084   | Gear 3rd Speed 32 T         | 1    |          | BD    |               |               | ●             | ●             |  |
| 35   | 145.450 | 1297 304 261     | 66371   | Gear 3rd Speed 34 T         | 1    |          | C     |               |               | ●             | ●             |  |
| 35   | 145.377 | 1297 304 414     | 1255965 | Gear 3rd Speed 34 T         | 1    |          | E     |               |               | ●             | ●             |  |
| 36   | 137.158 | 0735 320 460     | 689910  | Needle Cage D.82x90x46      | 1    |          |       | ●             |               |               |               |  |
| 36   | 137.084 | 0735 320 418     | 692205  | Needle Cage D.82x90x49      | 1    |          |       |               | ●             |               |               |  |
| 36   | 137.112 | 0735 320 451     | 691351  | Needle Cage D.82x90x60      | 1    |          |       |               |               | ●             | ●             |  |
| 37   | 103.131 | 1296 304 119     | 689909  | Main Shaft                  | 1    |          |       | ●             |               |               |               |  |
| 37   |         | 1295 304 273     | 696926  | Main Shaft                  | 1    |          | A     |               | ●             |               |               |  |
| 37   | 103.075 | 1295 304 245     | 692080  | Main Shaft                  | 1    |          | BC    |               | ●             |               |               |  |
| 37   | 103.140 | 1295 304 250     | 67057   | Main Shaft                  | 1    |          | D     |               | ●             |               |               |  |
| 37   | 103.132 | 1297 304 181     | 66363   | Main Shaft                  | 1    |          | BC    |               |               | ●             | ●             |  |
| 37   | 103.098 | 1297 304 193     | 689291  | Main Shaft                  | 1    |          | DE    |               |               | ●             | ●             |  |
| 38   |         | 0735 320 549     | 689917  | Needle Cage D.82x90x42      | 1    |          |       | ●             |               |               |               |  |
| 38   | 137.112 | 0735 320 451     | 691351  | Needle Cage D.82x90x60      | 1    |          | A     |               | ●             |               |               |  |
| 38   | 137.084 | 0735 320 418     | 692205  | Needle Cage D.82x90x49      | 1    |          | BCD   |               | ●             |               |               |  |
| 38   | 137.109 | 0735 320 452     | 691352  | Needle Cage D.82x90x55      | 1    |          |       |               |               | ●             | ●             |  |
| 39   | 145.537 | 1296 304 071     |         | Gear 2nd Speed 37 T         | 1    |          | B     | ●             |               |               |               |  |
| 39   | 145.499 | 1296 304 070     | 689911  | Gear 2nd Speed 38 T         | 1    |          | C     | ●             |               |               |               |  |
| 39   |         | 1295 304 271     | 696927  | Gear 2nd Speed 34 T         | 1    |          | A     |               | ●             |               |               |  |
| 39   | 145.501 | 1295 304 120     | 692081  | Gear 2nd Speed 37 T         | 1    |          | BD    |               | ●             |               |               |  |
| 39   | 145.278 | 1295 304 121     | 698314  | Gear 2nd Speed 38 T         | 1    |          | C     |               | ●             |               |               |  |
| 39   | 145.500 | 1297 304 269     | 67081   | Gear 2nd Speed 37 T         | 1    |          | BD    |               |               | ●             | ●             |  |
| 39   | 145.375 | 1297 304 442     | 691388  | Gear 2nd Speed 38 T         | 1    |          | CE    |               |               | ●             | ●             |  |

## Notes

- (1) Only for input Shaft 1295 221 001 - 1296 221 001
- (2) To be coupled together with Fig. 4 - 0730 061 816
- (3) To be coupled together with Fig. 4 - 0730 062 579
- (6) Old Type. Old Syncro Ring Ø 175.5 mm ( Z 57 or 30) - Standard Syncro Ring Ø 192 mm ( Z 63 or 54). Use items marked note (6) together
- (7) Old Type having straight teeth. Use items marked (7) together.

## Date

03 / 2006

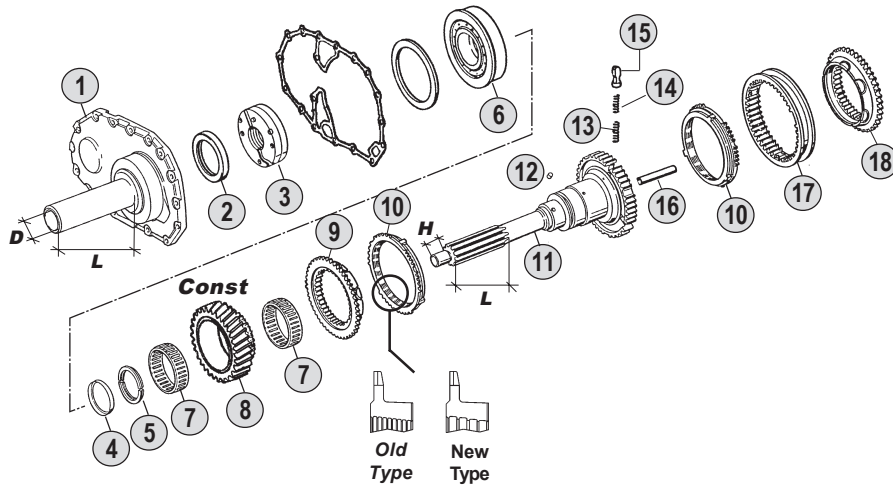
## Table

019 / A

Suitable To : **ZF**

**16S112 - 16S130 - 16S160 - 16S190**

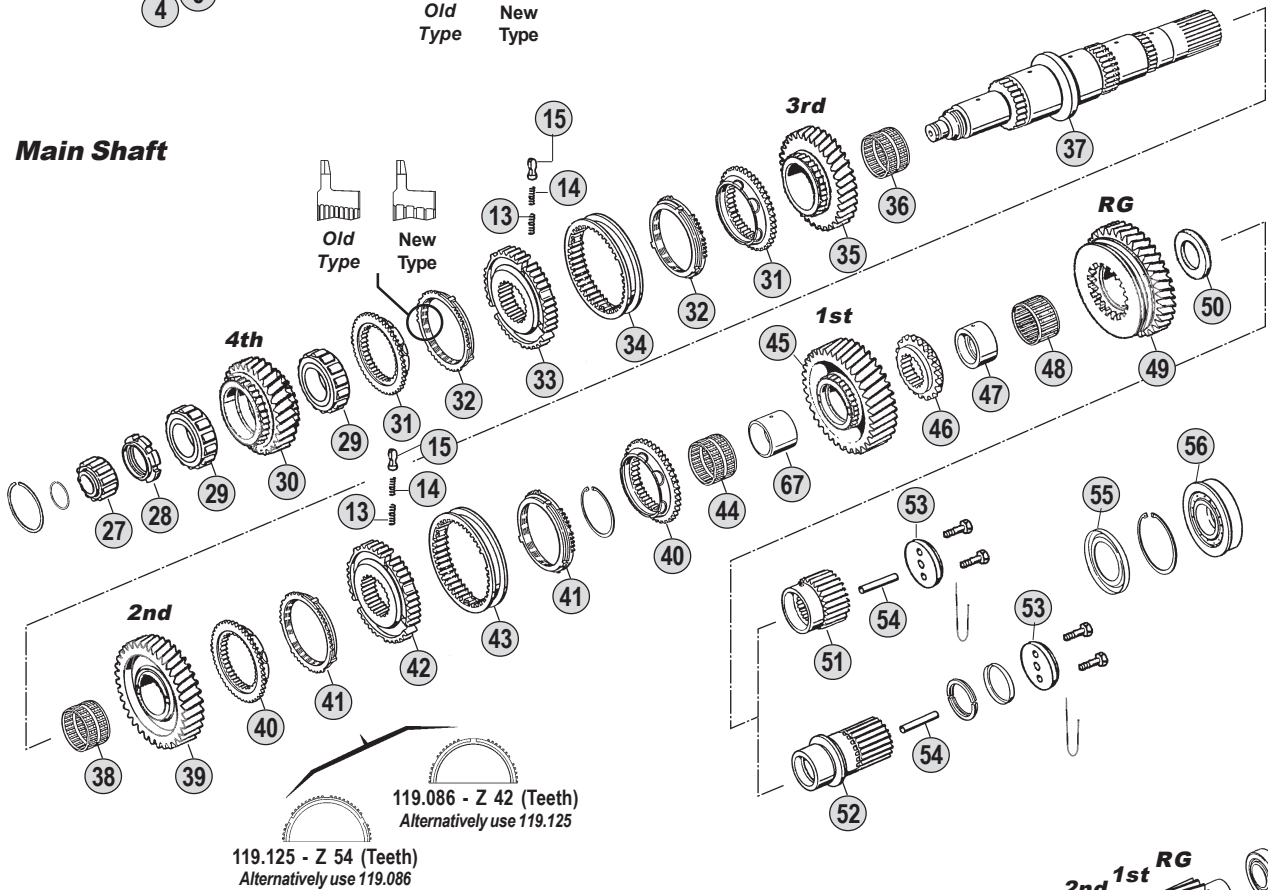
**Input Shaft**



**Springs & Slides Kits**

|               |               |               |
|---------------|---------------|---------------|
| x 3           | x 6           | x 9           |
| x 3           | x 6           | x 9           |
| x 3           | x 6           | x 9           |
| <b>Kit 68</b> | <b>Kit 69</b> | <b>Kit 70</b> |

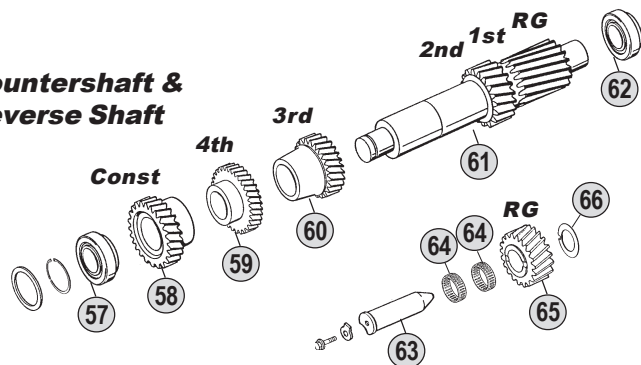
**Main Shaft**



**Kits**



**Countershaft & Reverse Shaft**



**Ratios**

|               |              |                 |                 |                 |              |
|---------------|--------------|-----------------|-----------------|-----------------|--------------|
| <b>16S112</b> | A:--         | B: 11,46 - 0,85 | C: 13,68 - 1,00 | D: --           | E:--         |
| <b>16S130</b> | A:10,14-0,72 | B: 11,46 - 0,85 | C: 13,68 - 1,00 | D: 14,29 - 0,82 | E:--         |
| <b>16S160</b> | A:--         | B: 11,46 - 0,85 | C: 13,68 - 1,00 | D: 14,29 - 0,82 | E:17,06-1,00 |
| <b>16S190</b> | A:--         | B: 11,46 - 0,85 | C: 13,68 - 1,00 | D: 14,29 - 0,82 | E:17,06-1,00 |



All original equipment manufacturers' numbers, symbols, pictures, models and description used in this catalogue are for reference only, and it is not implied that any part listed is the product of these manufactures. Tutti i nostri particolari non sono originali ma con essi intercambiabili. I riferimenti originali, le figure, i modelli sono esposti a semplice titolo indicativo. La nostra produzione riporta il nostro marchio.

16S112 (1296)  
16S130 (1295)  
16S160 (1297)  
16S190 (1297)

| Fig. | CEI no. | O.E.M. Reference |         | Description                  | Q.ty | Note                   | Ratio |               |               |               |               |  |  |
|------|---------|------------------|---------|------------------------------|------|------------------------|-------|---------------|---------------|---------------|---------------|--|--|
|      |         | ZF no.           | DAF no. |                              |      |                        |       | 16S112 (1296) | 16S130 (1295) | 16S160 (1297) | 16S190 (1297) |  |  |
| 40   | 109.074 | 1297 304 196     | 696345  | Synchronizer Cone            | 2    |                        |       | ●             | ●             | ●             | ●             |  |  |
| 40   | 109.072 | 1295 304 278     | 692073  | Synchronizer Cone            | 2    | (6)                    |       | ●             | ●             |               |               |  |  |
| 41   | 119.125 | 1296 304 135     | 1296006 | Synchronizer Ring            | 2    | Z 54 -Alt. use 119.086 |       | ●             | ●             | ●             | ●             |  |  |
| 41   | 119.086 | 1246 304 278     | 696344  | Synchronizer Ring 42 T       | 2    | Z 42 -Alt. use 119.086 |       | ●             | ●             | ●             | ●             |  |  |
| 41   | 119.084 | 1295 304 004     | 692075  | Synchronizer Ring            | 2    | (6)                    |       | ●             | ●             |               |               |  |  |
| 42   | 157.111 | 1297 304 195     | 696343  | Synchronizer Hub             | 1    |                        |       | ●             | ●             | ●             | ●             |  |  |
| 42   | 157.110 | 1297 304 031     | 692083  | Synchronizer Hub             | 1    | (6)                    |       | ●             | ●             |               |               |  |  |
| 43   | 154.051 | 1257 304 020     | 264214  | Sliding Sleeve 1st-2nd Speed | 1    |                        |       | ●             | ●             | ●             | ●             |  |  |
| 43   | 154.097 | 1295 304 002     | 692074  | Sliding Sleeve               | 1    | (6)                    |       | ●             | ●             |               |               |  |  |
| 44   | 137.159 | 0735 320 548     | 689912  | Needle Cage D.70x78x46       | 1    |                        |       | ●             |               |               |               |  |  |
| 44   | 137.159 | 0735 320 548     | 689912  | Needle Cage D.70x78x46       | 1    |                        | A     |               | ●             |               |               |  |  |
| 44   | 137.085 | 0735 320 496     | 692206  | Needle Cage D.70x78x55       | 1    |                        | BCD   |               | ●             |               |               |  |  |
| 44   | 137.110 | 0735 320 487     | 691354  | Needle Cage D.82x90x68       | 1    |                        |       |               |               | ●             | ●             |  |  |
| 45   | 145.538 | 1296 304 100     |         | Gear 1st Speed 44 T          | 1    |                        | B     | ●             |               |               |               |  |  |
| 45   | 145.505 | 1296 304 099     | 689913  | Gear 1st Speed 47 T          | 1    |                        | C     | ●             |               |               |               |  |  |
| 45   |         | 1295 304 270     | 696928  | Gear 1st Speed 41 T          | 1    |                        | A     |               | ●             |               |               |  |  |
| 45   | 145.506 | 1295 304 203     | 691791  | Gear 1st Speed 44 T          | 1    |                        | BD    |               | ●             |               |               |  |  |
| 45   | 145.545 | 1295 304 123     | 692087  | Gear 1st Speed 44 T          | 1    | (7)                    | B     |               | ●             |               |               |  |  |
| 45   | 145.279 | 1295 304 202     | 698135  | Gear 1st Speed 47 T          | 1    |                        | C     |               | ●             |               |               |  |  |
| 45   | 145.507 | 1297 304 270     | 67082   | Gear 1st Speed 44 T          | 1    |                        | BD    |               |               | ●             | ●             |  |  |
| 45   | 145.376 | 1297 304 441     | 689292  | Gear 1st Speed 47 T          | 1    |                        | CE    |               |               | ●             | ●             |  |  |
| 46   | 109.075 | 1295 304 206     | 691792  | Engaging Ring                | 1    |                        |       | ●             |               |               |               |  |  |
| 46   | 109.184 | 1295 304 024     | 692088  | Engaging Ring                | 1    |                        | A     |               | ●             |               |               |  |  |
| 46   | 109.075 | 1295 304 206     | 691792  | Engaging Ring                | 1    |                        | BCD   |               | ●             |               |               |  |  |
| 46   | 109.184 | 1295 304 024     | 692088  | Engaging Ring                | 1    | (7)                    | B     |               | ●             |               |               |  |  |
| 46   | 109.178 | 1297 304 154     | 689293  | Engaging Ring                | 1    |                        |       |               |               | ●             | ●             |  |  |
| 47   | 117.203 | 1295 304 012     | 692089  | Bush D.60x75x38              | 1    |                        |       | ●             |               |               |               |  |  |
| 47   | 117.203 | 1295 304 012     | 692089  | Bush D.60x75x38              | 1    |                        | ABC   |               | ●             |               |               |  |  |
| 47   | 117.318 | 1297 304 034     | 691391  | Bush                         | 1    |                        | BC    |               |               | ●             | ●             |  |  |
| 48   | 137.086 | 0750 115 059     | 692207  | Needle Cage D.75x83x40       | 1    |                        |       | ●             | ●             |               |               |  |  |
| 48   | 137.111 | 0735 320 486     | 691353  | Needle Cage D.78x86x44       | 1    |                        |       |               |               | ●             | ●             |  |  |
| 49   | 147.151 | 1296 304 098     | 513782  | Reverse Gear 39 T            | 1    |                        | B     | ●             |               |               |               |  |  |
| 49   | 147.136 | 1296 304 097     |         | Reverse Gear 38 T            | 1    |                        | C     | ●             |               |               |               |  |  |
| 49   |         | 1295 304 272     | 696929  | Reverse Gear 39 T            | 1    |                        | A     |               | ●             |               |               |  |  |
| 49   | 147.138 | 1295 304 201     | 691793  | Reverse Gear 39 T            | 1    |                        | BD    |               | ●             |               |               |  |  |
| 49   | 147.152 | 1295 304 115     | 692090  | Reverse Gear 39 T            | 1    | (7)                    | B     |               | ●             |               |               |  |  |
| 49   | 147.093 | 1295 304 200     | 698136  | Reverse Gear 38 T            | 1    |                        | C     |               | ●             |               |               |  |  |
| 49   | 147.109 | 1297 304 149     | 67083   | Reverse Gear 39 T            | 1    |                        | BD    |               |               | ●             | ●             |  |  |
| 49   | 147.140 | 1297 304 148     | 689294  | Reverse Gear 38 T            | 1    |                        | CE    |               |               | ●             | ●             |  |  |
| 50   | 169.756 | 1296 304 117     | 689915  | Thrust Washer                | 1    |                        |       | ●             |               |               |               |  |  |
| 50   | 169.409 | 1295 304 240     | 691794  | Thrust Washer                | 1    |                        | ABC   |               | ●             |               |               |  |  |
| 50   |         | 1295 304 125     | 692091  | Thrust Washer                | 1    | (7)                    | B     |               | ●             |               |               |  |  |
| 50   | 169.757 | 1297 304 381     | 66370   | Thrust Washer                | 1    |                        | BC    |               |               | ●             | ●             |  |  |
| 51   | 157.211 | 1295 304 247     | 689920  | Sun Gear 27 T                | 1    |                        |       | ●             |               |               |               |  |  |
| 51   | 157.112 | 1295 304 248     | 692094  | Sun Gear 27 T                | 1    |                        | ABC   |               | ●             |               |               |  |  |

## Notes

- (1) Only for input Shaft 1295 221 001 - 1296 221 001  
 (2) To be coupled together with Fig. 4 - 0730 061 816  
 (3) To be coupled together with Fig. 4 - 0730 062 579  
 (6) Old Type. Old Syncro Ring Ø 175.5 mm ( Z 57 or 30) - Standard Syncro Ring Ø 192 mm (Z 63 or 54). Use items marked note (6) together  
 (7) Old Type having straight teeth. Use items marked (7) together.

## Date

03 / 2006

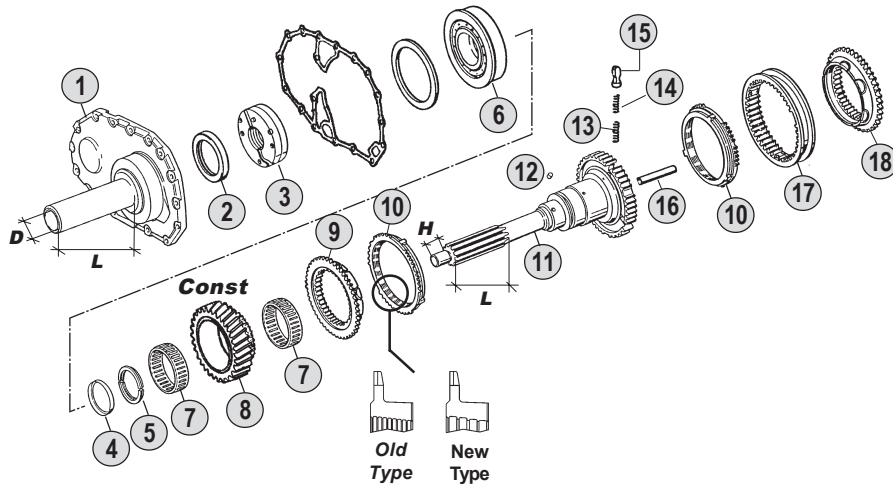
## Table

019 / A

Suitable To : **ZF**

**16S112 - 16S130 - 16S160 - 16S190**

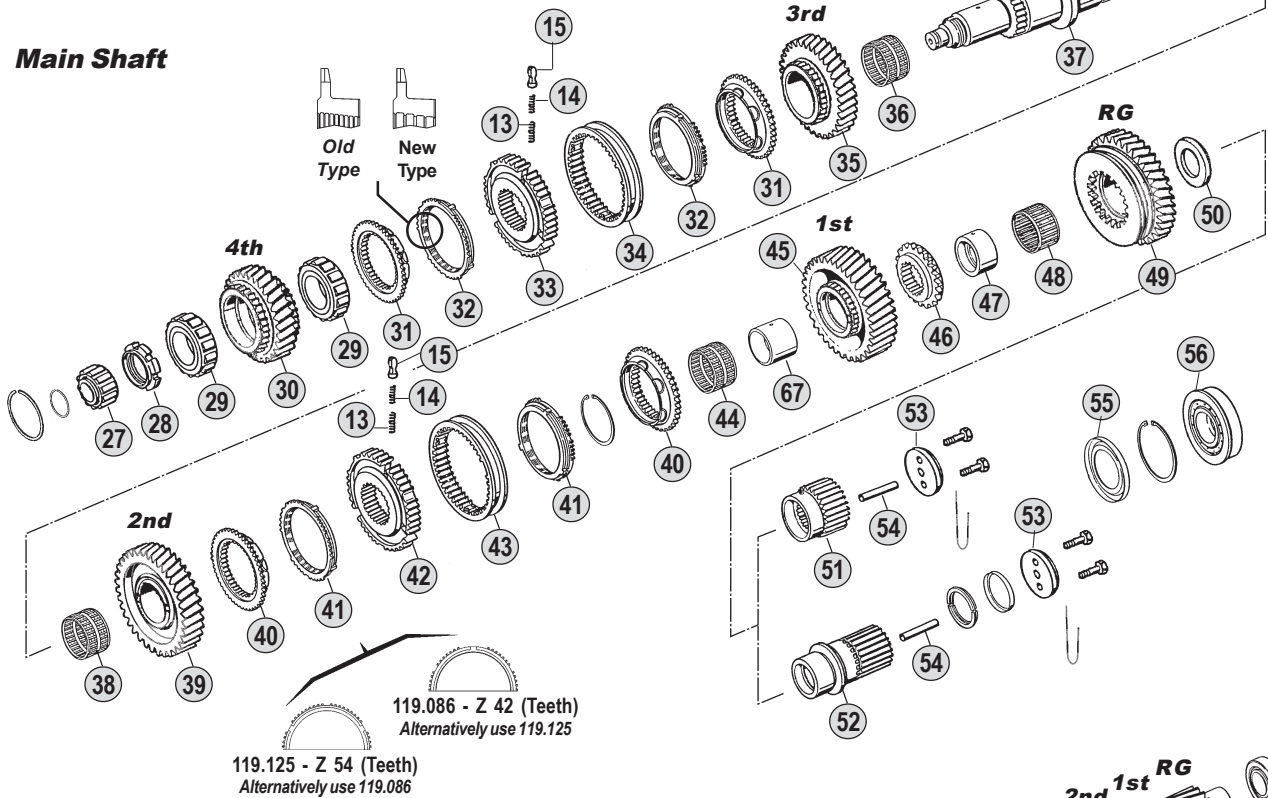
**Input Shaft**



**Springs & Slides Kits**

|               |               |               |
|---------------|---------------|---------------|
| x 3           | x 6           | x 9           |
| x 3           | x 6           | x 9           |
| x 3           | x 6           | x 9           |
| <b>Kit 68</b> | <b>Kit 69</b> | <b>Kit 70</b> |

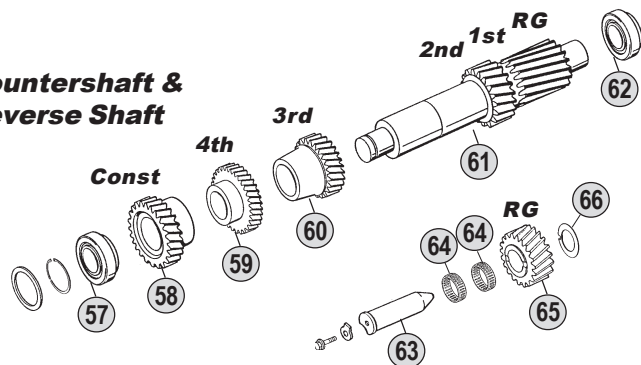
**Main Shaft**



**Kits**



**Countershaft & Reverse Shaft**



**Ratios**

|               |              |                 |                 |                 |              |
|---------------|--------------|-----------------|-----------------|-----------------|--------------|
| <b>16S112</b> | A:--         | B: 11,46 - 0,85 | C: 13,68 - 1,00 | D: --           | E:--         |
| <b>16S130</b> | A:10,14-0,72 | B: 11,46 - 0,85 | C: 13,68 - 1,00 | D: 14,29 - 0,82 | E:--         |
| <b>16S160</b> | A:--         | B: 11,46 - 0,85 | C: 13,68 - 1,00 | D: 14,29 - 0,82 | E:17,06-1,00 |
| <b>16S190</b> | A:--         | B: 11,46 - 0,85 | C: 13,68 - 1,00 | D: 14,29 - 0,82 | E:17,06-1,00 |



All original equipment manufacturers' numbers, symbols, pictures, models and description used in this catalogue are for reference only, and it is not implied that any part listed is the product of these manufactures. Tutti i nostri particolari non sono originali ma con essi intercambiabili. I riferimenti originali, le figure, i modelli sono esposti a semplice titolo indicativo. La nostra produzione riporta il nostro marchio.

16S112 (1296)  
16S130 (1295)  
16S160 (1297)  
16S190 (1297)

| Fig. | O.E.M. Reference |              | Description | Q.ty                   | Note | Ratio |         |               |               |               |               |  |
|------|------------------|--------------|-------------|------------------------|------|-------|---------|---------------|---------------|---------------|---------------|--|
|      | CEI no.          | ZF no.       |             |                        |      |       | DAF no. | 16S112 (1296) | 16S130 (1295) | 16S160 (1297) | 16S190 (1297) |  |
| 51   | 157.177          | 1297 304 187 | 66377       | Sun Gear 27 T          | 1    | BC    |         |               | ●             | ●             |               |  |
| 52   | 157.207          | 1295 304 251 | 67060       | Sun Gear 24 T          | 1    | D     |         | ●             |               |               |               |  |
| 52   | 157.198          | 1297 304 439 | 689295      | Sun Gear 24 T          | 1    | DE    |         |               | ●             | ●             |               |  |
| 53   | 188.076          | 1272 304 021 | 609466      | Stop Washer            | 1    |       | ●       | ●             | ●             | ●             |               |  |
| 54   |                  | 0730 061 842 | 692222      | Oil Tube               | 1    |       | ●       | ●             | ●             | ●             |               |  |
| 55   |                  | 1295 304 129 | 692066      | Oil Collector          | 1    |       | ●       |               |               |               |               |  |
| 55   |                  | 1295 304 129 | 692066      | Oil Collector          | 1    | ABC   |         | ●             |               |               |               |  |
| 55   |                  | 1297 301 004 | 691381      | Oil Collector          | 1    | D     |         | ●             |               |               |               |  |
| 55   |                  | 1297 301 004 | 691381      | Oil Collector          | 1    |       |         |               | ●             | ●             |               |  |
| 56   | 130.240          | 0750 118 153 | 69105       | Bearing D.60x130x31    | 1    |       | ●       |               |               |               |               |  |
| 56   | 130.240          | 0750 118 153 | 69105       | Bearing D.60x130x31    | 1    | ABC   |         | ●             |               |               |               |  |
| 56   |                  | 0750 118 137 | 67052       | Bearing D.80x140x26    | 1    | D     |         | ●             |               |               |               |  |
| 56   |                  | 0750 118 006 | 66357       | Bearing D.65x140x33    | 1    | BC    |         |               | ●             | ●             |               |  |
| 56   |                  | 0750 118 180 | 689289      | Bearing D.80x140x33    | 1    | DE    |         |               | ●             | ●             |               |  |
| 57   | 130.242          | 0750 117 010 | 692181      | Bearing D.50,80x100x35 | 1    |       | ●       | ●             | ●             | ●             |               |  |
| 58   | 146.449          | 1296 303 013 |             | Constant Gear 31 T     | 1    | B     | ●       |               |               |               |               |  |
| 58   | 146.364          | 1296 303 014 | 689907      | Constant Gear 34 T     | 1    | C     | ●       |               |               |               |               |  |
| 58   | 146.210          | 1295 303 101 | 1339401     | Constant Gear 34 T     | 1    | AC    |         | ●             |               |               |               |  |
| 58   | 146.354          | 1295 303 036 | 692078      | Constant Gear 31 T     | 1    | B     |         | ●             |               |               |               |  |
| 58   | 146.457          | 1295 303 060 | 67055       | Constant Gear 32 T     | 1    | D     |         | ●             |               |               |               |  |
| 58   | 146.383          | 1297 303 074 | 67079       | Constant Gear 31 T     | 1    | B     |         |               | ●             | ●             |               |  |
| 58   | 146.322          | 1297 303 066 | 66361       | Constant Gear 34 T     | 1    | C     |         |               | ●             | ●             |               |  |
| 58   | 146.319          | 1297 303 098 | 1327922     | Constant Gear 32 T     | 1    | D     |         |               | ●             | ●             |               |  |
| 58   | 146.321          | 1297 303 086 | 691387      | Constant Gear 35 T     | 1    | E     |         |               | ●             | ●             |               |  |
| 59   | 146.450          | 1296 303 003 |             | Gear 4th Speed 34 T    | 1    | B     | ●       |               |               |               |               |  |
| 59   | 146.363          | 1296 303 002 | 689908      | Gear 4th Speed 31 T    | 1    | C     | ●       |               |               |               |               |  |
| 59   | 146.209          | 1295 303 027 | 696925      | Gear 4th Speed 31 T    | 1    | AC    |         | ●             |               |               |               |  |
| 59   | 146.413          | 1295 303 028 | 692079      | Gear 4th Speed 34 T    | 1    | B     |         | ●             |               |               |               |  |
| 59   | 146.461          | 1295 303 094 | 67056       | Gear 4th Speed 35 T    | 1    | D     |         | ●             |               |               |               |  |
| 59   | 146.382          | 1297 303 072 | 67080       | Gear 4th Speed 34 T    | 1    | B     |         |               | ●             | ●             |               |  |
| 59   | 146.381          | 1297 303 065 | 66362       | Gear 4th Speed 31 T    | 1    | C     |         |               | ●             | ●             |               |  |
| 59   | 146.415          | 1297 303 097 | 1336470     | Gear 4th Speed 35 T    | 1    | D     |         |               | ●             | ●             |               |  |
| 59   | 146.416          | 1297 303 123 | 691385      | Gear 4th Speed 32 T    | 1    | E     |         |               | ●             | ●             |               |  |
| 60   | 146.451          | 1296 303 008 |             | Gear 3rd Speed 28 T    | 1    | B     | ●       |               |               |               |               |  |
| 60   | 146.419          | 1296 303 009 | 689906      | Gear 3rd Speed 25 T    | 1    | C     | ●       |               |               |               |               |  |
| 60   |                  | 1295 303 071 | 696923      | Gear 3rd Speed 36 T    | 1    | A     |         | ●             |               |               |               |  |
| 60   | 146.355          | 1295 303 025 | 692077      | Gear 3rd Speed 28 T    | 1    | BD    |         | ●             |               |               |               |  |
| 60   | 146.211          | 1295 303 026 | 698138      | Gear 3rd Speed 25 T    | 1    | C     |         | ●             |               |               |               |  |
| 60   | 146.357          | 1297 303 073 | 67078       | Gear 3rd Speed 28 T    | 1    | BD    |         |               | ●             | ●             |               |  |
| 60   | 146.421          | 1297 303 067 | 66360       | Gear 3rd Speed 25 T    | 1    | C     |         |               | ●             | ●             |               |  |
| 60   | 146.422          | 1297 303 132 | 691386      | Gear 3rd Speed 26 T    | 1    | E     |         |               | ●             | ●             |               |  |
| 61   | 105.117          | 1296 303 026 | 513779      | Countershaft 19-23 T   | 1    | B     | ●       |               |               |               |               |  |
| 61   | 105.104          | 1296 303 025 | 689904      | Countershaft 17-20 T   | 1    | C     | ●       |               |               |               |               |  |
| 61   |                  | 1295 303 072 | 696622      | Countershaft           | 1    | A     |         | ●             |               |               |               |  |
| 61   | 105.119          | 1295 303 067 | 697068      | Countershaft 19-23 T   | 1    | BD    |         | ●             |               |               |               |  |

## Notes

- (1) Only for input Shaft 1295 221 001 - 1296 221 001
- (2) To be coupled together with Fig. 4 - 0730 061 816
- (3) To be coupled together with Fig. 4 - 0730 062 579
- (6) Old Type. Old Syncro Ring Ø 175.5 mm ( Z 57 or 30) - Standard Syncro Ring Ø 192 mm (Z 63 or 54). Use items marked note (6) together
- (7) Old Type having straight teeth. Use items marked (7) together.

## Date

03 / 2006

## Table

019 / A

All original equipment manufacturers numbers, symbols, pictures, models and description used in this catalogue are for reference only, and it is not implied that any part listed is the product of these manufactures.  
Tutti i nostri particolari non sono originali ma con essi intercambiabili. I riferimenti originali, le figure, i modelli sono esposti a semplice titolo indicativo. La nostra produzione riporta il nostro marchio.



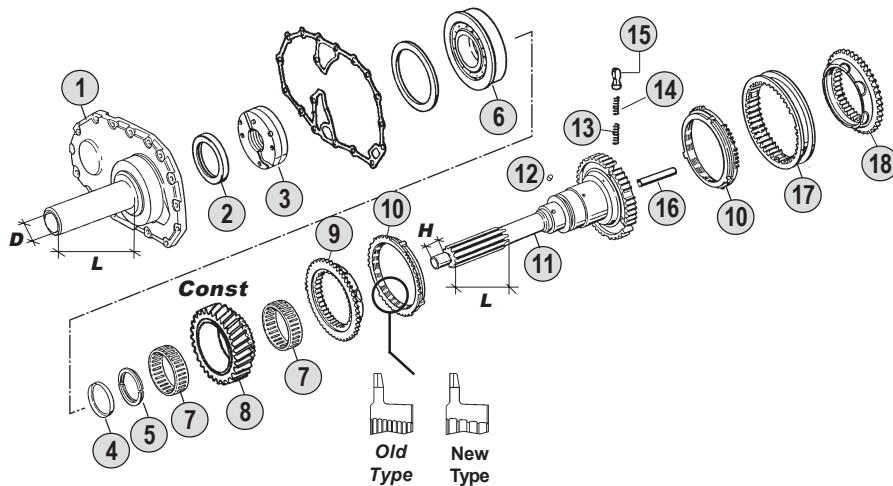
ECO I  
From 16S112  
To 16S190



Suitable To : **ZF**

**16S112 - 16S130 - 16S160 - 16S190**

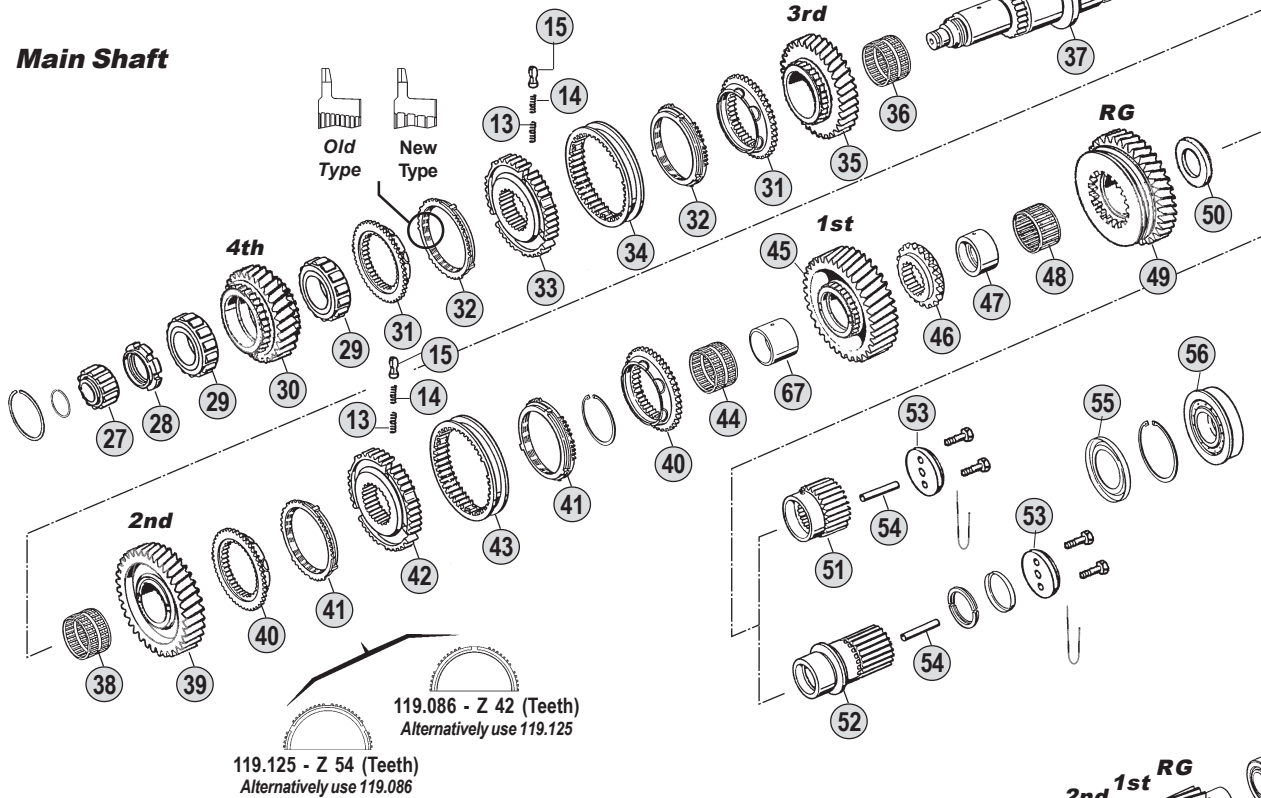
**Input Shaft**



**Springs & Slides Kits**

|               |               |               |
|---------------|---------------|---------------|
| x 3           | x 6           | x 9           |
| x 3           | x 6           | x 9           |
| x 3           | x 6           | x 9           |
| <b>Kit 68</b> | <b>Kit 69</b> | <b>Kit 70</b> |

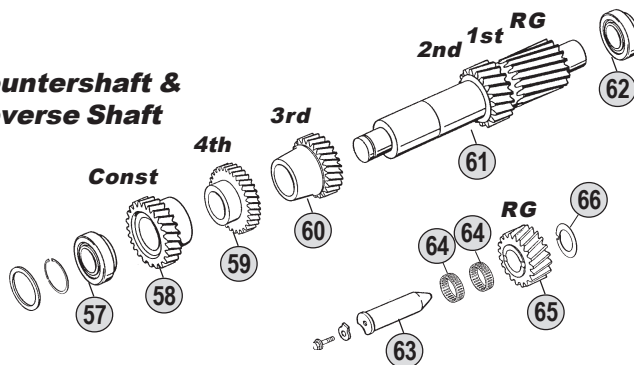
**Main Shaft**



**Kits**



**Countershaft & Reverse Shaft**



**Ratios**

|               |              |                 |                 |                 |              |
|---------------|--------------|-----------------|-----------------|-----------------|--------------|
| <b>16S112</b> | A:--         | B: 11,46 - 0,85 | C: 13,68 - 1,00 | D: --           | E:--         |
| <b>16S130</b> | A:10,14-0,72 | B: 11,46 - 0,85 | C: 13,68 - 1,00 | D: 14,29 - 0,82 | E:--         |
| <b>16S160</b> | A:--         | B: 11,46 - 0,85 | C: 13,68 - 1,00 | D: 14,29 - 0,82 | E:17,06-1,00 |
| <b>16S190</b> | A:--         | B: 11,46 - 0,85 | C: 13,68 - 1,00 | D: 14,29 - 0,82 | E:17,06-1,00 |



All original equipment manufacturers' numbers, symbols, pictures, models and description used in this catalogue are for reference only, and it is not implied that any part listed is the product of these manufactures. Tutti i nostri particolari non sono originali ma con essi intercambiabili. I riferimenti originali, le figure, i modelli sono esposti a semplice titolo indicativo. La nostra produzione riporta il nostro marchio.

| Fig. | CEI no. | O.E.M. Reference |         | Description               | Q.ty | Note | Ratio |               |               |               |               |  |
|------|---------|------------------|---------|---------------------------|------|------|-------|---------------|---------------|---------------|---------------|--|
|      |         | ZF no.           | DAF no. |                           |      |      |       | 16S112 (1296) | 16S130 (1295) | 16S160 (1297) | 16S190 (1297) |  |
| 61   | 105.105 | 1295 303 045     | 692076  | Countershaft 19-23 T      | 1    | (7)  | B     | ●             |               |               |               |  |
| 61   | 105.060 | 1295 303 066     | 698137  | Countershaft 17-20 T      | 1    |      | C     | ●             |               |               |               |  |
| 61   | 105.092 | 1297 303 075     | 67077   | Countershaft 19-23 T      | 1    |      | BD    |               | ●             | ●             |               |  |
| 61   | 105.093 | 1297 303 140     | 689298  | Countershaft 17-20 T      | 1    |      | CE    |               |               | ●             | ●             |  |
| 62   | 130.307 | 0750 117 011     | 689905  | Bearing D.50,8x104,7x39,6 | 1    |      |       | ●             |               |               |               |  |
| 62   | 130.243 | 0750 117 008     | 692180  | Bearing D.50x110x42       | 1    |      |       |               | ●             |               |               |  |
| 62   | 130.308 | 0750 117 009     | 691357  | Bearing D.49,2x103,1x43,6 | 1    |      |       |               |               | ●             | ●             |  |
| 63   | 107.108 | 1295 305 056     | 692068  | Reverse Gear Pin          | 1    |      |       | ●             | ●             | ●             | ●             |  |
| 64   | 137.007 | 0750 115 011     | 584385  | Needle Cage D.45x53x21    | 2    |      |       | ●             | ●             | ●             | ●             |  |
| 65   | 147.133 | 1295 305 051     | 691719  | Reverse Gear 21 T         | 1    |      | B     | ●             |               |               |               |  |
| 65   | 147.094 | 1295 305 052     | 689290  | Reverse Gear 24 T         | 1    |      | C     | ●             |               |               |               |  |
| 65   | 147.153 | 1297 305 003     | 692067  | Reverse Gear 21 T         | 1    |      | A     |               | ●             |               |               |  |
| 65   | 147.133 | 1295 305 051     | 691719  | Reverse Gear 21 T         | 1    |      | BD    |               | ●             |               |               |  |
| 65   | 147.153 | 1297 305 003     | 692067  | Reverse Gear 21 T         | 1    | (7)  | B     |               | ●             |               |               |  |
| 65   | 147.094 | 1295 305 052     | 689290  | Reverse Gear 24 T         | 1    |      | C     |               | ●             |               |               |  |
| 65   | 147.133 | 1295 305 051     | 691719  | Reverse Gear 21 T         | 1    |      | BD    |               |               | ●             | ●             |  |
| 65   | 147.094 | 1295 305 052     | 689290  | Reverse Gear 24 T         | 1    |      | CE    |               |               | ●             | ●             |  |
| 66   | 169.234 | 0730 150 064     | 584383  | Thrust Washer             | 1    |      |       | ●             | ●             | ●             | ●             |  |
| 67   | 117.246 | 1297 304 035     | 691392  | Bush                      | 1    |      |       |               |               | ●             | ●             |  |
| 68   | 198.339 | 1268 298 938     |         | Spring Slide Set          | 1    |      |       | ●             | ●             | ●             | ●             |  |
| 69   | 198.564 | CEI 198564       |         | Spring Slide Set          | 1    |      |       | ●             | ●             | ●             | ●             |  |
| 70   | 198.842 | 1295 298 933     |         | Spring Slide Set          | 1    |      |       | ●             | ●             | ●             | ●             |  |
| 71   | 198.428 | 1295 298 960     | 1360726 | Oil Seal Ring Kit         | 1    |      |       | ●             | ●             | ●             | ●             |  |
| 72   | 198.427 | 1295 298 915     | 1303044 | Gasket Kit                | 1    |      |       | ●             | ●             | ●             | ●             |  |

## Notes

- (1) Only for input Shaft 1295 221 001 - 1296 221 001
- (2) To be coupled together with Fig. 4 - 0730 061 816
- (3) To be coupled together with Fig. 4 - 0730 062 579
- (6) Old Type. Old Syncro Ring Ø 175.5 mm ( Z 57 or 30) - Standard Syncro Ring Ø 192 mm (Z 63 or 54). Use items marked note (6) together
- (7) Old Type having straight teeth. Use items marked (7) together.

## Date

03 / 2006

## Table

019 / A

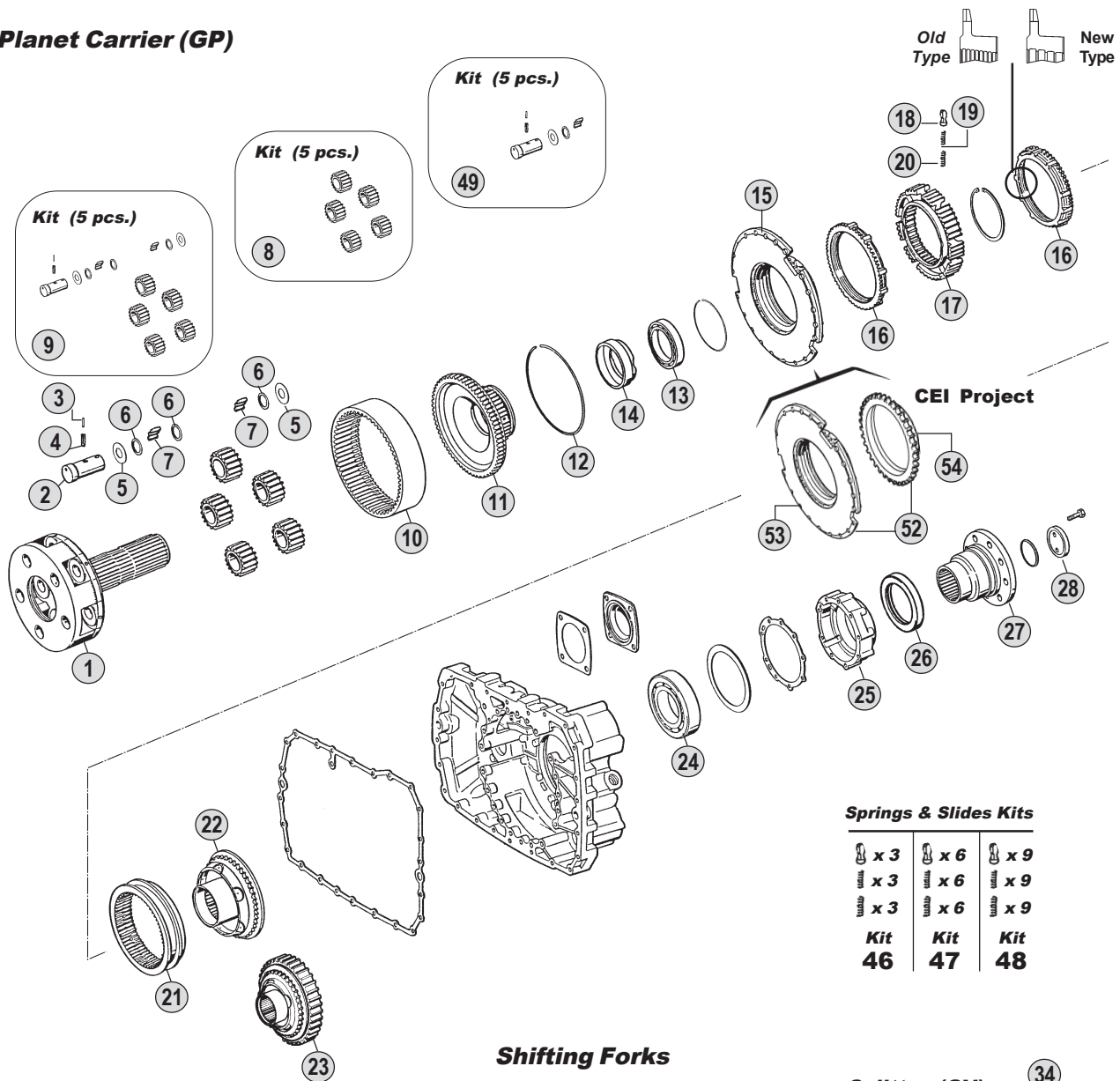
ECO I

From 16S112  
To 16S190

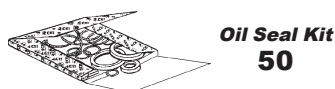
Suitable To : **ZF**

**16S112 - 16S130 - 16S160 - 16S190**

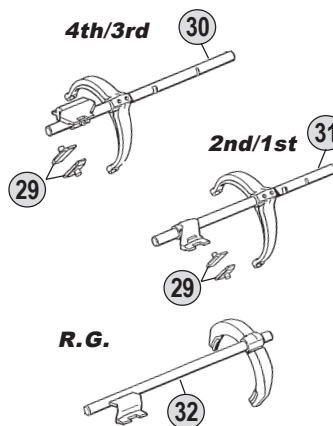
**Planet Carrier (GP)**



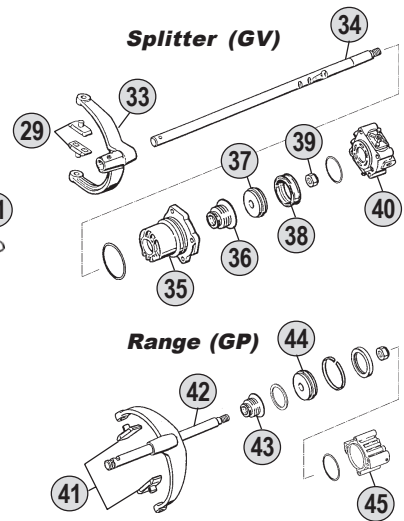
**Kits**



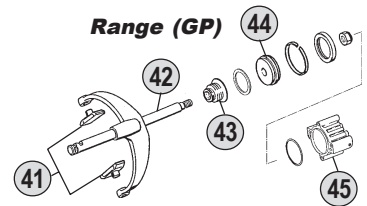
**Shifting Forks**



**Splitter (GV)**



**Range (GP)**



**Ratios**

|               |              |                 |                 |                 |              |
|---------------|--------------|-----------------|-----------------|-----------------|--------------|
| <b>16S112</b> | A:--         | B: 11,46 - 0,85 | C: 13,68 - 1,00 | D: --           | E:--         |
| <b>16S130</b> | A:10,14-0,72 | B: 11,46 - 0,85 | C: 13,68 - 1,00 | D: 14,29 - 0,82 | E:--         |
| <b>16S160</b> | A:--         | B: 11,46 - 0,85 | C: 13,68 - 1,00 | D: 14,29 - 0,82 | E:17,06-1,00 |
| <b>16S190</b> | A:--         | B: 11,46 - 0,85 | C: 13,68 - 1,00 | D: 14,29 - 0,82 | E:17,06-1,00 |



All original equipment manufacturers' numbers, symbols, pictures, models and description used in this catalogue are for reference only, and it is not implied that any part listed is the product of these manufactures. Tutti i nostri particolari non sono originali ma con essi intercambiabili. I riferimenti originali, le figure, i modelli sono esposti a semplice titolo indicativo. La nostra produzione riporta il nostro marchio.

| Fig. | CEI no.        | O.E.M. Reference |         | Description                     | Q.ty | Note | Ratio |               |               |               |               |  |  |
|------|----------------|------------------|---------|---------------------------------|------|------|-------|---------------|---------------|---------------|---------------|--|--|
|      |                | ZF no.           | DAF no. |                                 |      |      |       | 16S112 (1296) | 16S130 (1295) | 16S160 (1297) | 16S190 (1297) |  |  |
| 1    | 190.169        | 1295 232 044     | 696095  | Planetary Carrier               | 1    |      |       | ●             |               |               |               |  |  |
| 1    | 190.169        | 1295 232 044     | 696095  | Planetary Carrier               | 1    |      | ABC   |               | ●             |               |               |  |  |
| 1    | 190.395        | 1297 232 045     | 67062   | Planetary Carrier               | 1    |      | D     |               | ●             |               |               |  |  |
| 1    | <b>190.396</b> | 1297 232 039     | 66391   | Planetary Carrier               | 1    |      | BC    |               |               | ●             | ●             |  |  |
| 1    | 190.395        | 1297 232 045     | 67062   | Planetary Carrier               | 1    |      | DE    |               |               | ●             | ●             |  |  |
| 1    |                | 1316 232 005     |         | Planetary Carrier               | 1    | (8)  | E     |               |               |               | ●             |  |  |
| 2    | 107.089        | 1269 332 036     | 692256  | Planet Shaft                    | 5    |      |       | ●             |               |               |               |  |  |
| 2    | 107.089        | 1269 332 036     | 692256  | Planet Shaft                    | 5    |      | ABC   |               | ●             |               |               |  |  |
| 2    | <b>107.163</b> | 1297 332 109     | 691407  | Planet Shaft                    | 5    |      | D     |               | ●             |               |               |  |  |
| 2    | <b>107.163</b> | 1297 332 109     | 691407  | Planet Shaft                    | 5    |      |       |               |               | ●             | ●             |  |  |
| 2    | 107.165        | 1312 332 026     | 1227034 | Planet Shaft                    | 5    | (8)  |       |               |               |               | ●             |  |  |
| 3    | <b>160.191</b> | 0631 329 017     |         | Lock Pin D.3x24                 | 5    |      |       | ●             | ●             | ●             | ●             |  |  |
| 3    | 160.195        | 0631 329 167     | 1344438 | Lock Pin D.3x26                 | 5    | (8)  |       |               |               |               | ●             |  |  |
| 4    | <b>160.192</b> | 0631 329 050     |         | Lock Pin D.5x24                 | 5    |      |       | ●             | ●             | ●             | ●             |  |  |
| 4    | 160.194        | 0631 329 051     | 1344439 | Lock Pin D.5x26                 | 5    | (8)  |       |               |               |               | ●             |  |  |
| 5    | 169.408        | 0501 305 887     | 692255  | Thrust Washer D.29x57,50x1,50   | 10   |      |       | ●             |               |               |               |  |  |
| 5    | 169.408        | 0501 305 887     | 692255  | Thrust Washer D.29x57,50x1,50   | 10   |      | ABC   |               | ●             |               |               |  |  |
| 5    | <b>169.753</b> | 0501 306 212     | 691327  | Thrust Washer D.29x64x1,5       | 10   |      | D     |               | ●             |               |               |  |  |
| 5    | <b>169.753</b> | 0501 306 212     | 691327  | Thrust Washer D.29x64x1,5       | 10   |      |       |               |               | ●             | ●             |  |  |
| 5    | 169.759        | 0501 308 981     | 69078   | Thrust Washer                   | 10   | (8)  |       |               |               |               | ●             |  |  |
| 6    | <b>169.410</b> | 0730 103 846     | 692246  | Spacer Ring D.29x39x1,00        | 15   |      |       | ●             | ●             | ●             | ●             |  |  |
| 6    | 169.744        | 0730 107 168     | 69077   | Spacer Ring                     | 15   | (8)  |       |               |               |               | ●             |  |  |
| 7    | <b>171.016</b> | 0735 470 057     | 692254  | Roller Set D.6x14,75 (180 pcs)  | 180  |      |       | ●             |               |               |               |  |  |
| 7    | <b>171.016</b> | 0735 470 057     | 692254  | Roller Set D.6x14,75 (180 pcs)  | 180  |      | ABC   |               | ●             |               |               |  |  |
| 7    | <b>171.045</b> | 0750 119 109     | 691356  | Roller Set D.10x16,80 (120 pcs) | 120  |      | D     |               | ●             |               |               |  |  |
| 7    | <b>171.045</b> | 0750 119 109     | 691356  | Roller Set D.10x16,80 (120 pcs) | 120  |      |       |               |               | ●             | ●             |  |  |
| 7    | <b>171.062</b> | 0750 119 116     | 1284246 | Roller D.10x16,8                | 140  | (8)  |       |               |               |               | ●             |  |  |
| 8    | <b>198.357</b> | 1295 232 027     | 692138  | Planetary Gear Set (5 pcs)      | 1    |      |       | ●             |               |               |               |  |  |
| 8    | <b>198.357</b> | 1295 232 027     | 692138  | Planetary Gear Set (5 pcs)      | 1    |      | ABC   |               | ●             |               |               |  |  |
| 8    | <b>198.810</b> | 1297 232 024     | 691380  | Planetary Gear Set (5 pcs)      | 1    |      | D     |               | ●             |               |               |  |  |
| 8    | <b>198.803</b> | 1297 232 023     | 66390   | Planetary Gear Set (5 pcs)      | 1    |      | BC    |               |               | ●             | ●             |  |  |
| 8    | <b>198.810</b> | 1297 232 024     | 691380  | Planetary Gear Set (5 pcs)      | 1    |      | DE    |               |               | ●             | ●             |  |  |
| 8    | <b>198.801</b> | 1312 232 014     | 1227032 | Planetary Gear Set (5 pcs)      | 1    | (8)  | E     |               |               |               | ●             |  |  |
| 9    | 198.562        | 1296 298 904     |         | Planetary Gear Set              | 1    |      |       | ●             |               |               |               |  |  |
| 9    | 198.562        | 1296 298 904     |         | Planetary Gear Set              | 1    |      | ABC   |               | ●             |               |               |  |  |
| 9    | <b>198.704</b> | 1297 298 912     |         | Planetary Gear Set              | 1    |      | BC    |               |               | ●             | ●             |  |  |
| 9    |                | 1297 298 919     |         | Planetary Gear Set              | 1    |      | DE    |               |               | ●             | ●             |  |  |
| 10   | 123.162        | 1295 332 053     | 696457  | Crown Gear 83 T                 | 1    |      |       | ●             |               |               |               |  |  |
| 10   | 123.162        | 1295 332 053     | 696457  | Crown Gear 83 T                 | 1    |      | ABC   |               | ●             |               |               |  |  |
| 10   | <b>123.208</b> | 1295 332 086     | 69091   | Crown Gear 86 T                 | 1    |      | D     |               | ●             |               |               |  |  |
| 10   | <b>123.217</b> | 1297 332 080     | 66393   | Crown Gear 83 T                 | 1    |      | BC    |               |               | ●             | ●             |  |  |
| 10   | <b>123.208</b> | 1295 332 086     | 69091   | Crown Gear 86 T                 | 1    |      | DE    |               |               | ●             | ●             |  |  |
| 11   | 150.112        | 1295 332 021     | 692139  | Flange Gear 83 T                | 1    |      |       | ●             |               |               |               |  |  |
| 11   | 150.112        | 1295 332 021     | 692139  | Flange Gear 83 T                | 1    |      | ABC   |               | ●             |               |               |  |  |
| 11   | <b>150.137</b> | 1297 332 035     | 691409  | Flange Gear 86 T                | 1    |      | D     |               | ●             |               |               |  |  |

## Notes

(8) New Reinforced Style. Use items marked (8) together

## Date

03 / 2006

## Table

019 / B

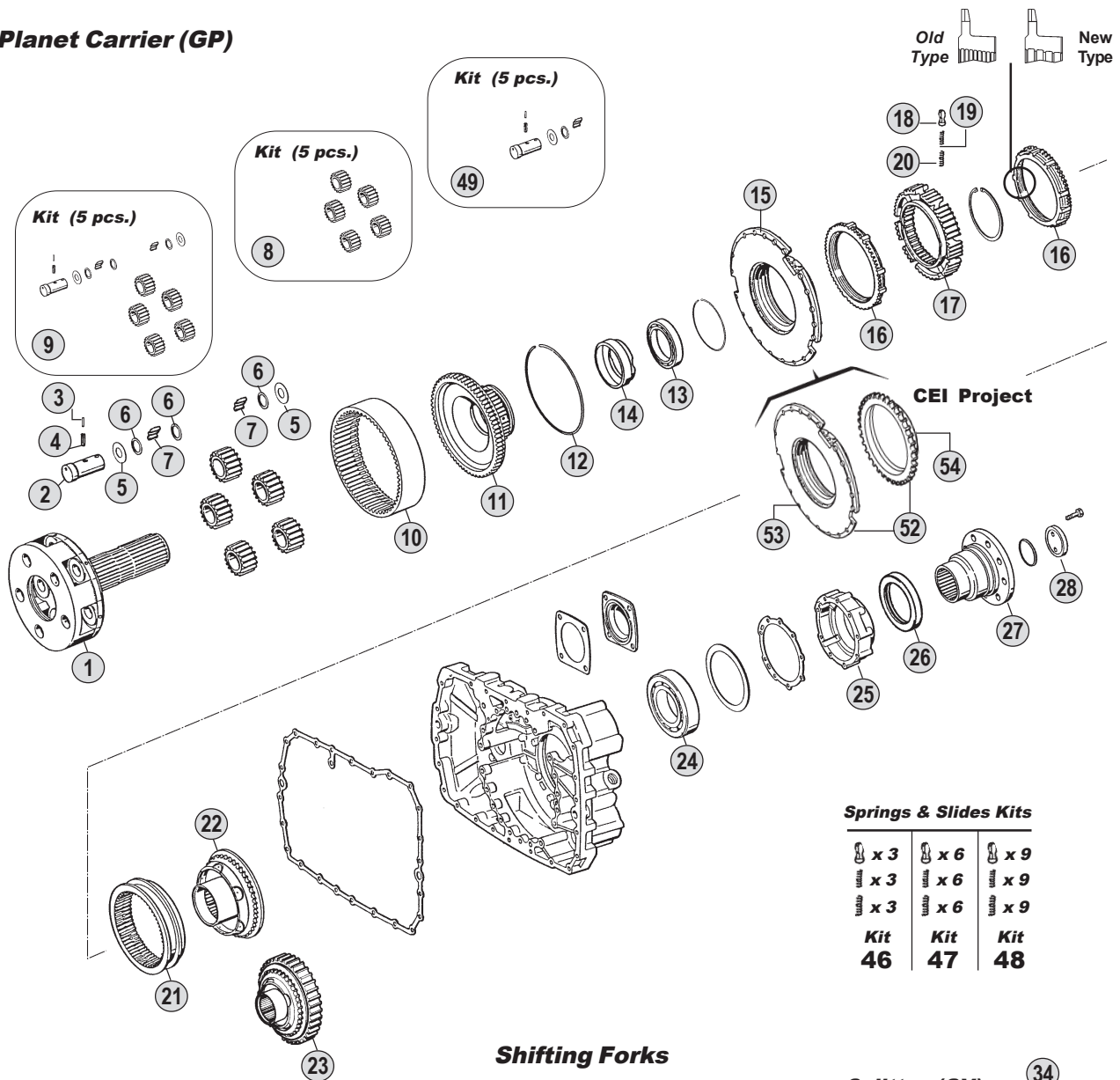
ECO I

From 16S112  
To 16S190

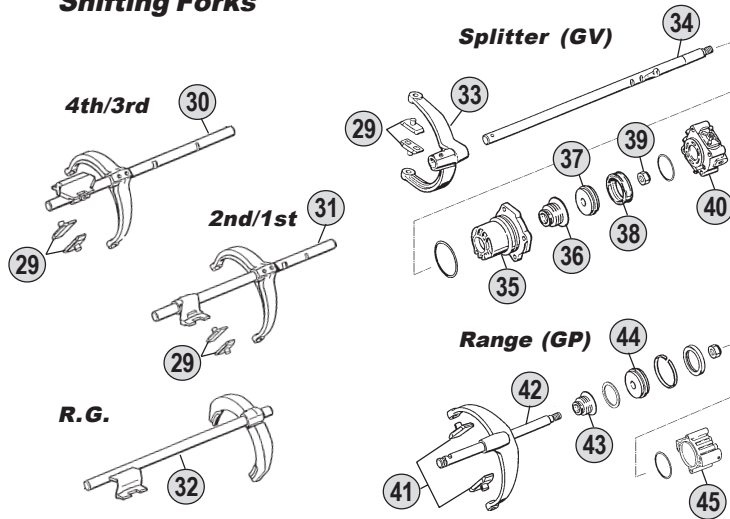
Suitable To : **ZF**

**16S112 - 16S130 - 16S160 - 16S190**

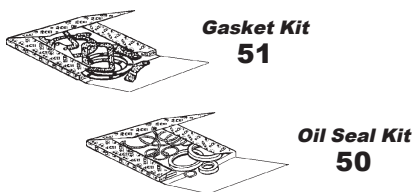
**Planet Carrier (GP)**



**Shifting Forks**



**Kits**



**Ratios**

|               |               |                 |                 |                 |              |
|---------------|---------------|-----------------|-----------------|-----------------|--------------|
| <b>16S112</b> | A:--          | B: 11,46 - 0,85 | C: 13,68 - 1,00 | D: --           | E:--         |
| <b>16S130</b> | A: 10,14-0,72 | B: 11,46 - 0,85 | C: 13,68 - 1,00 | D: 14,29 - 0,82 | E:--         |
| <b>16S160</b> | A:--          | B: 11,46 - 0,85 | C: 13,68 - 1,00 | D: 14,29 - 0,82 | E:17,06-1,00 |
| <b>16S190</b> | A:--          | B: 11,46 - 0,85 | C: 13,68 - 1,00 | D: 14,29 - 0,82 | E:17,06-1,00 |



All original equipment manufacturers' numbers, symbols, pictures, models and description used in this catalogue are for reference only, and it is not implied that any part listed is the product of these manufactures. Tutti i nostri particolari non sono originali ma con essi intercambiabili. I riferimenti originali, le figure, i modelli sono esposti a semplice titolo indicativo. La nostra produzione riporta il nostro marchio.

16S112 (1296)  
16S130 (1295)  
16S160 (1297)  
16S190 (1297)

| Fig. | O.E.M. Reference |              | Description | Q.ty                        | Note | Ratio         |         |               |               |               |               |  |  |
|------|------------------|--------------|-------------|-----------------------------|------|---------------|---------|---------------|---------------|---------------|---------------|--|--|
|      | CEI no.          | ZF no.       |             |                             |      |               | DAF no. | 16S112 (1296) | 16S130 (1295) | 16S160 (1297) | 16S190 (1297) |  |  |
| 11   | 150.138          | 1297 332 017 | 66392       | Flange Gear 83 T            | 1    |               | BC      |               |               | ●             | ●             |  |  |
| 11   | 150.137          | 1297 332 035 | 691409      | Flange Gear 86 T            | 1    |               | DE      |               |               | ●             | ●             |  |  |
| 11   | 150.134          | 1297 332 120 | 1227567     | Flange Gear 86 T            | 1    | (8)           | E       |               |               |               | ●             |  |  |
| 12   | 111.129          | 0730 505 055 | 692259      | Locking Wire                | 1    |               |         | ●             |               |               |               |  |  |
| 12   | 111.129          | 0730 505 055 | 692259      | Locking Wire                | 1    |               | ABC     |               | ●             |               |               |  |  |
| 12   | 111.198          | 0730 505 056 | 691340      | Locking Wire                | 1    |               | D       |               | ●             |               |               |  |  |
| 12   | 111.129          | 0730 505 055 | 692259      | Locking Wire                | 1    |               | BC      |               |               | ●             | ●             |  |  |
| 12   | 111.198          | 0730 505 056 | 691340      | Locking Wire                | 1    |               | DE      |               |               | ●             | ●             |  |  |
| 13   | 130.244          | 0750 116 166 | 692253      | Bearing D.75x105x16         | 1    |               |         | ●             |               |               |               |  |  |
| 13   | 130.244          | 0750 116 166 | 692253      | Bearing D.75x105x16         | 1    |               | ABC     |               | ●             |               |               |  |  |
| 13   | 130.310          | 0750 116 165 | 69395       | Bearing D.80x110x16         | 1    |               | D       |               | ●             |               |               |  |  |
| 13   | 130.310          | 0750 116 165 | 69395       | Bearing D.80x110x16         | 1    |               |         |               |               | ●             | ●             |  |  |
| 13   | 130.311          | 0635 338 035 | 1227592     | Bearing D.100x125x13        | 1    | (8)           |         |               |               |               | ●             |  |  |
| 14   |                  | 1297 332 002 | 1300625     | Ring                        | 1    |               | D       |               | ●             |               |               |  |  |
| 14   |                  | 1297 332 002 | 1300625     | Ring                        | 1    |               |         |               |               | ●             | ●             |  |  |
| 15   | 198.358          | 1296 233 006 | 689812      | Synchronizer Cone           | 1    |               |         | ●             | ●             | ●             | ●             |  |  |
| 16   | 119.085          | 1296 333 022 | 1303708     | Synchronizer Ring           | 2    | Old Type      |         | ●             | ●             | ●             | ●             |  |  |
| 16   | 119.172          | 1296 333 045 | 1354113     | Synchronizer Ring           | 2    | New Type      |         | ●             | ●             | ●             | ●             |  |  |
| 17   | 157.113          | 1296 333 002 | 692167      | Synchronizer Hub            | 1    |               |         | ●             | ●             | ●             | ●             |  |  |
| 17   | 157.183          | 1297 333 115 | 1227600     | Synchronizer Hub            | 1    | (8)           |         |               |               |               | ●             |  |  |
| 18   | 160.116          | 1240 304 278 | 326962      | Pressure Piece              | 9    |               |         | ●             | ●             | ●             | ●             |  |  |
| 19   | 156.036          | 0732 040 386 | 326964      | Inner Spring De.3x34        | 9    |               |         | ●             | ●             | ●             | ●             |  |  |
| 20   | 156.037          | 0732 040 385 | 326963      | Outer Spring De.6x34        | 9    |               |         | ●             | ●             | ●             | ●             |  |  |
| 21   | 154.098          | 1296 333 023 | 689814      | Sliding Sleeve              | 1    |               |         | ●             | ●             | ●             | ●             |  |  |
| 22   | 198.359          | 1295 233 025 | 696096      | Synchronizer Cone (36 Spl.) | 1    |               |         | ●             |               |               |               |  |  |
| 22   | 198.359          | 1295 233 025 | 696096      | Synchronizer Cone (36 Spl.) | 1    |               | ABC     |               | ●             |               |               |  |  |
| 22   | 198.374          | 1313 233 001 | 691378      | Synchronizer Cone (38 Spl.) | 1    |               | D       |               | ●             |               |               |  |  |
| 22   | 198.374          | 1313 233 001 | 691378      | Synchronizer Cone (38 Spl.) | 1    |               |         |               |               | ●             | ●             |  |  |
| 22   | 198.790          | 1297 233 056 | 1228000     | Synchronizer Cone (41 spl.) | 1    | (8)           |         |               |               |               | ●             |  |  |
| 23   |                  | 1297 333 117 |             | Synchronizer Cone           | 1    | With Retarder | ABC     |               | ●             |               |               |  |  |
| 23   |                  | 1297 333 118 | 1235589     | Synchronizer Cone           | 1    | With Retarder | D       |               | ●             |               |               |  |  |
| 23   |                  | 1297 333 118 | 1235589     | Synchronizer Cone           | 1    | With Retarder |         |               |               | ●             | ●             |  |  |
| 24   | 130.245          | 0750 116 002 | 692184      | Bearing D.90x160x30         | 1    |               |         | ●             | ●             | ●             | ●             |  |  |
| 25   |                  | 1296 301 067 | 513935      | Cover                       | 1    |               |         | ●             | ●             | ●             | ●             |  |  |
| 25   | 128.098          | 1315 301 220 | 691805      | Cover                       | 1    |               |         | ●             | ●             | ●             | ●             |  |  |
| 25   |                  | 1296 301 067 | 513935      | Cover                       | 1    |               |         |               |               |               | ●             |  |  |
| 25   | 128.098          | 1315 301 220 | 691805      | Cover                       | 1    | (8)           |         |               |               |               | ●             |  |  |
| 26   |                  | 0750 111 341 | 1304242     | Oil Seal 105x130x12         | 1    |               |         | ●             | ●             | ●             | ●             |  |  |
| 27   |                  | 1295 238 003 |             | Output Flange               | 1    | D.165-8.H.    |         | ●             |               |               |               |  |  |
| 27   |                  | 1295 338 061 | 698639      | Output Flange               | 1    | D.180-4.H.    |         | ●             |               |               |               |  |  |
| 27   | 197.051          | 1295 338 014 | 692165      | Output Flange               | 1    | D.180-10.H.   |         | ●             |               |               |               |  |  |
| 27   |                  | 1295 338 059 |             | Output Flange               | 1    | D.180-10.H.   |         | ●             |               |               |               |  |  |
| 27   |                  | 1295 238 003 |             | Output Flange               | 1    | D.165-8.H.    | ABC     |               | ●             |               |               |  |  |
| 27   |                  | 1295 338 061 | 698639      | Output Flange               | 1    | D.180-4.H.    | ABC     |               | ●             |               |               |  |  |
| 27   | 197.051          | 1295 338 014 | 692165      | Output Flange               | 1    | D.180-10.H.   | ABC     |               | ●             |               |               |  |  |

## Notes

(8) New Reinforced Style. Use items marked (8) together

## Date

03 / 2006

## Table

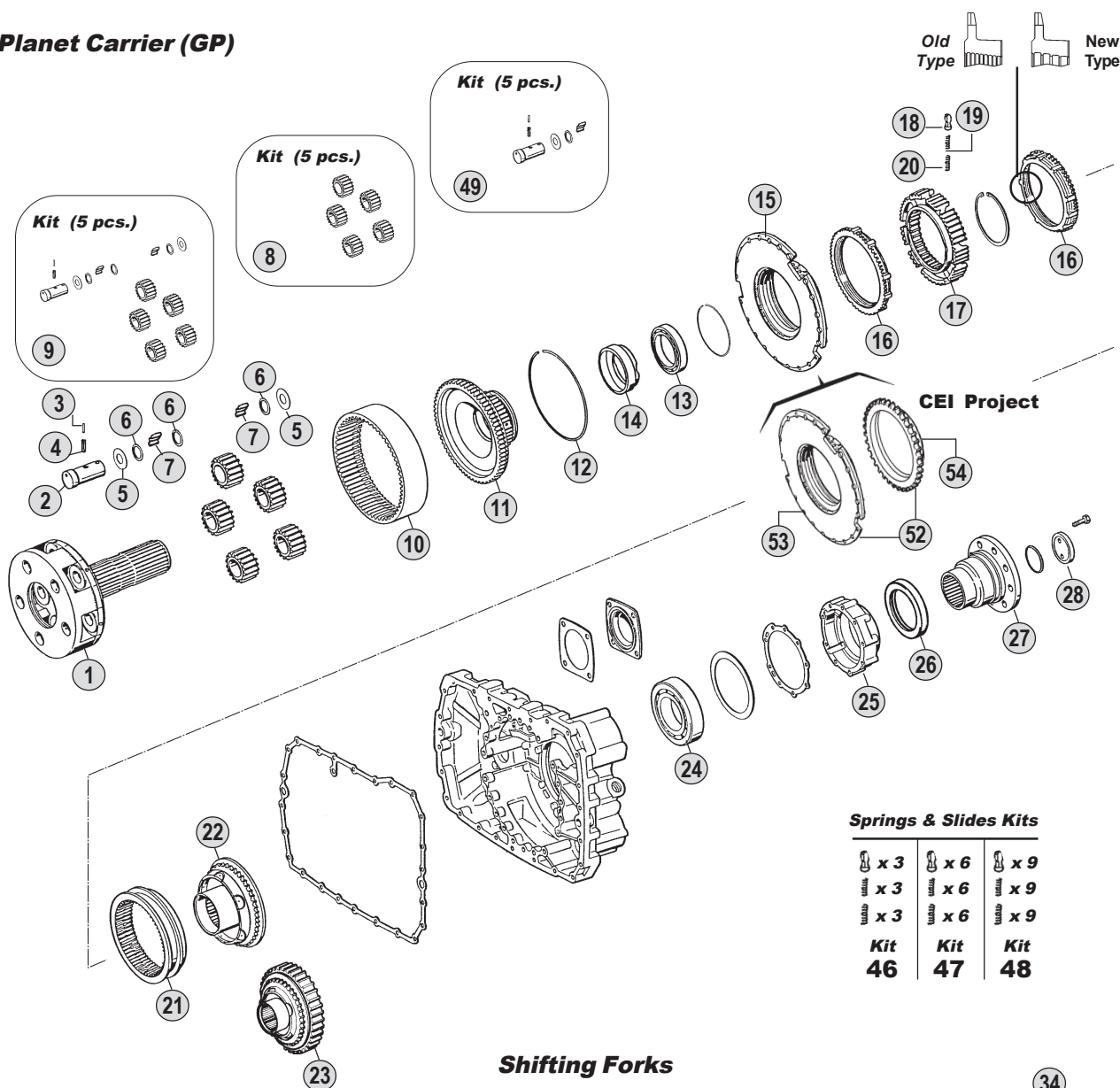
019 / B

All original equipment manufacturers numbers, symbols, pictures, models and description used in this catalogue are for reference only, and it is not implied that any part listed is the product of these manufactures.  
Tutti i nostri particolari non sono originali ma con essi intercambiabili. I riferimenti originali, le figure, i modelli sono esposti a semplice titolo indicativo. La nostra produzione riporta il nostro marchio.

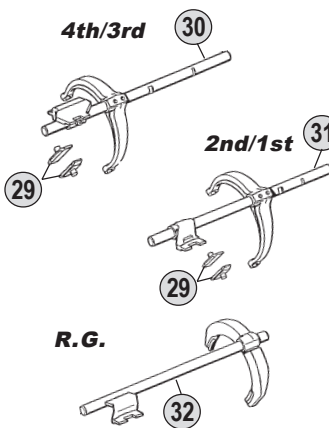
Suitable To : **ZF**

**16S112 - 16S130 - 16S160 - 16S190**

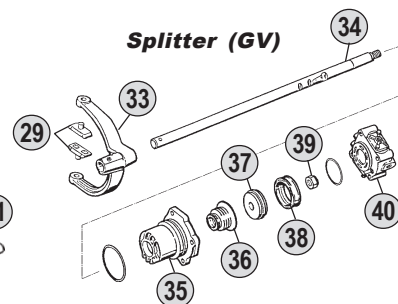
**Planet Carrier (GP)**



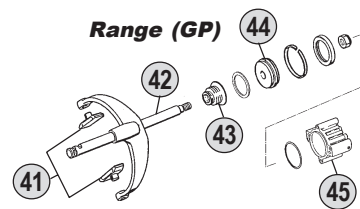
**Shifting Forks**



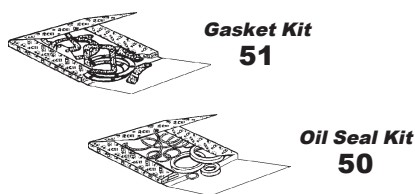
**Splitter (GV)**



**Range (GP)**



**Kits**



**Ratios**

|               |               |                 |                 |                 |              |
|---------------|---------------|-----------------|-----------------|-----------------|--------------|
| <b>16S112</b> | A:--          | B: 11,46 - 0,85 | C: 13,68 - 1,00 | D: --           | E:--         |
| <b>16S130</b> | A: 10,14-0,72 | B: 11,46 - 0,85 | C: 13,68 - 1,00 | D: 14,29 - 0,82 | E:--         |
| <b>16S160</b> | A:--          | B: 11,46 - 0,85 | C: 13,68 - 1,00 | D: 14,29 - 0,82 | E:17,06-1,00 |
| <b>16S190</b> | A:--          | B: 11,46 - 0,85 | C: 13,68 - 1,00 | D: 14,29 - 0,82 | E:17,06-1,00 |

All original equipment manufacturers' numbers, symbols, pictures, models and description used in this catalogue are for reference only, and it is not implied that any part listed is the product of these manufactures. Tutti i nostri particolari non sono originali ma con essi intercambiabili. I riferimenti originali, le figure, i modelli sono esposti a semplice titolo indicativo. La nostra produzione riporta il nostro marchio.

16S112 (1296)  
16S130 (1295)  
16S160 (1297)  
16S190 (1297)

| Fig. | O.E.M. Reference |              | Description | Q.ty                    | Note | Ratio                  |         |               |               |               |               |  |  |
|------|------------------|--------------|-------------|-------------------------|------|------------------------|---------|---------------|---------------|---------------|---------------|--|--|
|      | CEI no.          | ZF no.       |             |                         |      |                        | DAF no. | 16S112 (1296) | 16S130 (1295) | 16S160 (1297) | 16S190 (1297) |  |  |
| 27   |                  | 1295 338 059 |             | Output Flange           | 1    | D.180-10H.             | ABC     |               | ●             |               |               |  |  |
| 27   | 197.074          | 1295 338 016 |             | Output flange           | 1    | D.204-4H.              | ABC     |               | ●             |               |               |  |  |
| 27   |                  | 1295 338 028 |             | Output Flange           | 1    | D.204-4H.              | ABC     |               | ●             |               |               |  |  |
| 27   |                  | 1297 338 041 | 689335      | Output Flange           | 1    | D.180-4H.              | D       |               | ●             |               |               |  |  |
| 27   |                  | 1297 338 010 | 691412      | Output Flange           | 1    | D.180-10H.             | D       |               | ●             |               |               |  |  |
| 27   |                  | 1297 338 041 | 689335      | Output Flange           | 1    | D.180-4H.              |         |               |               | ●             | ●             |  |  |
| 27   |                  | 1297 338 038 | 1284534     | Output Flange           | 1    | D.180-10H.             |         |               |               | ●             | ●             |  |  |
| 27   |                  | 1297 338 010 | 691412      | Output Flange           | 1    | D.180-10H.             |         |               |               | ●             | ●             |  |  |
| 27   |                  | 1297 333 110 | 1227595     | Output Flange           | 1    | D.180-4H. (8)          |         |               |               |               | ●             |  |  |
| 28   | 188.077          | 1295 332 051 | 696097      | Stop Washer             | 1    |                        |         | ●             | ●             | ●             | ●             |  |  |
| 28   |                  | 1295 332 064 |             | Stop Washer             | 1    | Only with 1295 238 003 |         | ●             | ●             |               |               |  |  |
| 28   |                  | 1312 332 028 | 1227597     | Stop Washer             | 1    | (8)                    |         |               |               |               | ●             |  |  |
| 29   | 141.068          | 1295 306 132 | 696445      | Bronze Slide            | 2    |                        |         | ●             | ●             | ●             | ●             |  |  |
| 30   |                  | 1296 206 064 |             | Fork                    | 1    |                        |         | ●             |               |               |               |  |  |
| 30   |                  | 1296 206 061 | 689923      | Fork                    | 1    |                        |         | ●             |               |               |               |  |  |
| 30   |                  | 1295 206 219 | 696933      | Fork                    | 1    |                        |         |               | ●             |               |               |  |  |
| 30   |                  | 1295 206 212 | 513912      | Fork                    | 1    |                        |         |               | ●             |               |               |  |  |
| 30   | 198.362          | 1295 206 213 | 691934      | Fork                    | 1    |                        |         |               | ●             |               |               |  |  |
| 30   |                  | 1297 206 103 | 66380       | Fork                    | 1    |                        |         |               |               | ●             | ●             |  |  |
| 30   |                  | 1297 206 104 | 691937      | Fork                    | 1    |                        |         |               |               | ●             |               |  |  |
| 30   |                  | 1297 206 192 |             | Fork                    | 1    |                        |         |               |               |               | ●             |  |  |
| 31   |                  | 1296 206 063 |             | Fork                    | 1    |                        |         | ●             |               |               |               |  |  |
| 31   |                  | 1296 206 062 | 697691      | Fork                    | 1    |                        |         | ●             |               |               |               |  |  |
| 31   |                  | 1295 206 223 | 696932      | Fork                    | 1    |                        |         |               | ●             |               |               |  |  |
| 31   |                  | 1295 206 217 | 1228199     | Fork                    | 1    |                        |         |               | ●             |               |               |  |  |
| 31   |                  | 1295 206 214 | 698309      | Fork                    | 1    |                        |         |               | ●             |               |               |  |  |
| 31   |                  | 1295 206 215 | 513911      | Fork                    | 1    |                        |         |               | ●             |               |               |  |  |
| 31   |                  | 1297 206 106 |             | Fork                    | 1    |                        |         |               |               | ●             | ●             |  |  |
| 31   |                  | 1297 206 105 | 696346      | Fork                    | 1    |                        |         |               |               | ●             | ●             |  |  |
| 31   |                  | 1297 206 191 |             | Fork                    | 1    |                        |         |               |               |               | ●             |  |  |
| 32   |                  | 1296 206 077 |             | Fork                    | 1    |                        |         | ●             |               |               |               |  |  |
| 32   |                  | 1296 206 078 | 689924      | Fork                    | 1    |                        |         | ●             |               |               |               |  |  |
| 32   |                  | 1295 206 250 |             | Fork                    | 1    |                        |         |               | ●             |               |               |  |  |
| 32   |                  | 1295 206 249 | 1228200     | Fork                    | 1    |                        |         |               | ●             |               |               |  |  |
| 32   | 198.360          | 1295 206 255 | 1212144     | Fork                    | 1    |                        |         |               | ●             |               |               |  |  |
| 32   |                  | 1295 206 254 | 68985       | Fork                    | 1    |                        |         |               | ●             |               |               |  |  |
| 32   |                  | 1297 206 174 | 69703       | Fork                    | 1    |                        |         |               |               | ●             | ●             |  |  |
| 32   |                  | 1297 206 175 | 1242703     | Fork                    | 1    |                        |         |               |               | ●             | ●             |  |  |
| 32   |                  | 1297 206 181 |             | Fork                    | 1    |                        |         |               |               |               | ●             |  |  |
| 33   |                  | 1313 312 002 | 689936      | Fork                    | 1    |                        |         | ●             | ●             | ●             | ●             |  |  |
| 34   |                  | 1296 312 001 | 689935      | Selector Rod            | 1    |                        |         | ●             |               |               |               |  |  |
| 34   | 149.172          | 1295 312 018 | 692131      | Selector rod            | 1    |                        |         |               | ●             |               |               |  |  |
| 34   |                  | 1297 312 008 | 691405      | Selector Rod            | 1    |                        |         |               |               | ●             | ●             |  |  |
| 35   | 132.046          | 1296 312 042 | 692130      | Cylinder                | 1    |                        |         | ●             | ●             | ●             | ●             |  |  |
| 36   | 139.331          | 0750 112 034 | 692237      | Cap Collar D.25x38x14,2 | 1    |                        |         | ●             | ●             | ●             | ●             |  |  |

## Notes

(8) New Reinforced Style. Use items marked (8) together

## Date

03 / 2006

## Table

019 / B

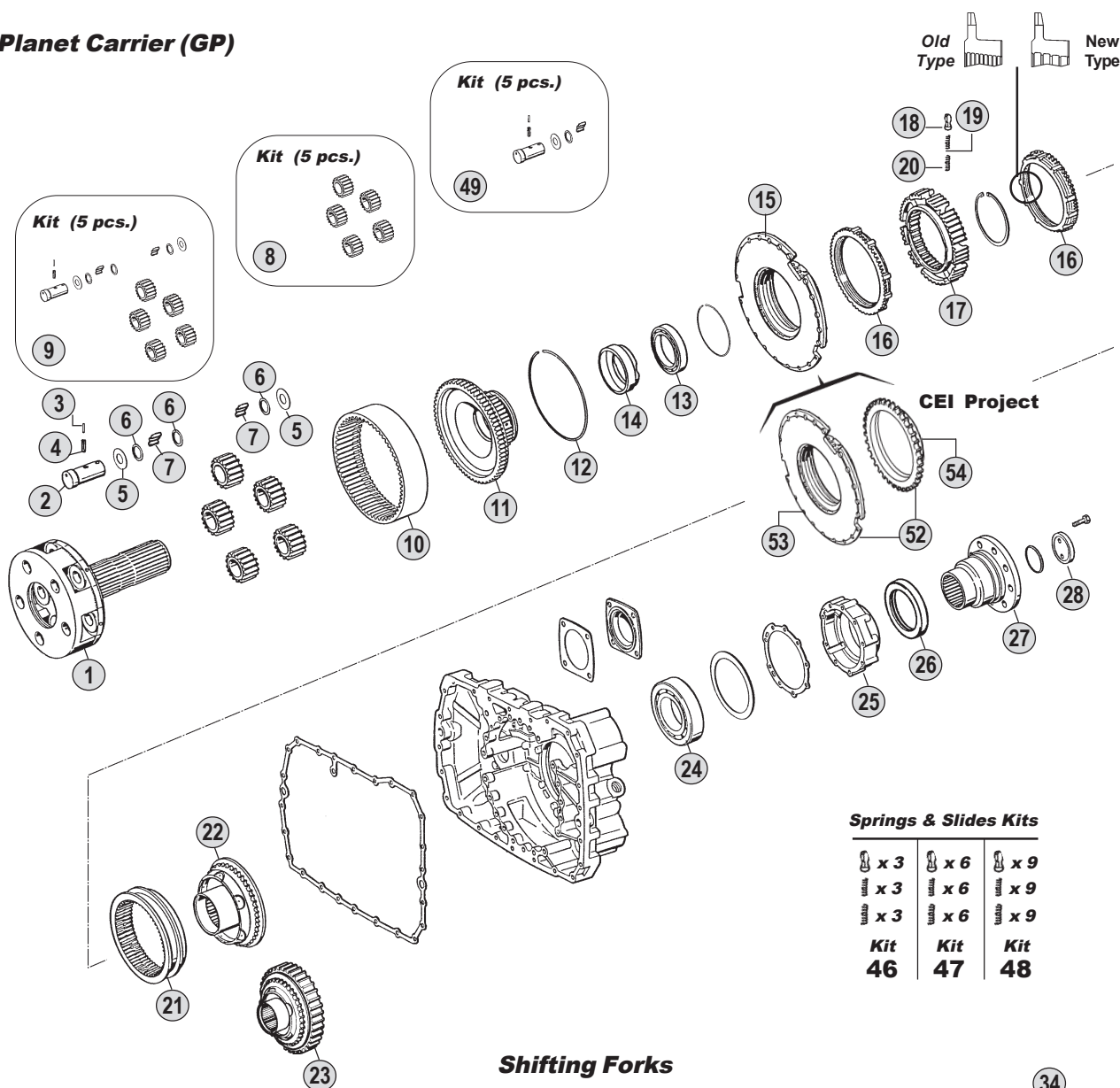
All original equipment manufacturers numbers, symbols, pictures, models and description used in this catalogue are for reference only, and it is not implied that any part listed is the product of these manufactures.  
Tutti i nostri particolari non sono originali ma con essi intercambiabili. I riferimenti originali, le figure, i modelli sono esposti a semplice titolo indicativo. La nostra produzione riporta il nostro marchio.



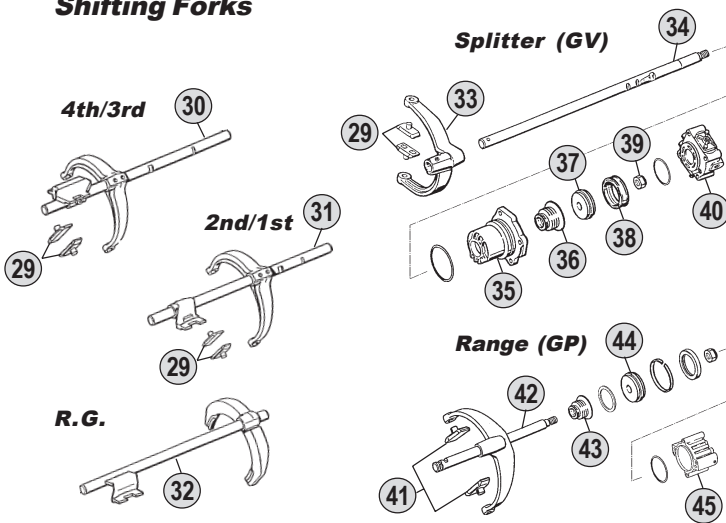
Suitable To : **ZF**

**16S112 - 16S130 - 16S160 - 16S190**

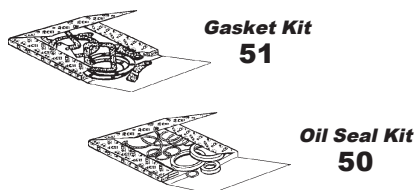
**Planet Carrier (GP)**



**Shifting Forks**



**Kits**



**Ratios**

|               |               |                 |                 |                 |              |
|---------------|---------------|-----------------|-----------------|-----------------|--------------|
| <b>16S112</b> | A:--          | B: 11,46 - 0,85 | C: 13,68 - 1,00 | D: --           | E:--         |
| <b>16S130</b> | A: 10,14-0,72 | B: 11,46 - 0,85 | C: 13,68 - 1,00 | D: 14,29 - 0,82 | E:--         |
| <b>16S160</b> | A:--          | B: 11,46 - 0,85 | C: 13,68 - 1,00 | D: 14,29 - 0,82 | E:17,06-1,00 |
| <b>16S190</b> | A:--          | B: 11,46 - 0,85 | C: 13,68 - 1,00 | D: 14,29 - 0,82 | E:17,06-1,00 |



All original equipment manufacturers' numbers, symbols, pictures, models and description used in this catalogue are for reference only, and it is not implied that any part listed is the product of these manufactures. Tutti i nostri particolari non sono originali ma con essi intercambiabili. I riferimenti originali, le figure, i modelli sono esposti a semplice titolo indicativo. La nostra produzione riporta il nostro marchio.

16S112 (1296)  
16S130 (1295)  
16S160 (1297)  
16S190 (1297)

| Fig. | O.E.M. Reference |              | Description | Q.ty                    | Note | Ratio             |         |               |               |               |               |  |
|------|------------------|--------------|-------------|-------------------------|------|-------------------|---------|---------------|---------------|---------------|---------------|--|
|      | CEI no.          | ZF no.       |             |                         |      |                   | DAF no. | 16S112 (1296) | 16S130 (1295) | 16S160 (1297) | 16S190 (1297) |  |
| 37   | 189.421          | 1296 312 053 | 69363       | Piston                  | 1    |                   | ●       | ●             | ●             | ●             |               |  |
| 38   |                  | 0750 112 089 | 66388       | Ring 53x63x16,2         | 1    |                   | ●       | ●             | ●             | ●             |               |  |
| 39   |                  | 0737 006 095 | 1291087     | Nut                     | 1    |                   | ●       | ●             | ●             | ●             |               |  |
| 40   |                  | 0750 132 032 | 67061       | Cylinder                | 1    |                   | ●       | ●             | ●             | ●             |               |  |
| 40   |                  | 0750 132 033 | 692239      | Cylinder                | 1    |                   | ●       | ●             | ●             | ●             |               |  |
| 40   | 280.350          | 1295 212 008 |             | Cylinder                | 1    |                   | ●       | ●             | ●             | ●             |               |  |
| 40   |                  | 1295 212 009 | 1527454     | Cylinder                | 1    |                   |         |               | ●             |               |               |  |
| 41   | 141.085          | 1296 334 004 | 692175      | Bronze Slide            | 2    |                   | ●       | ●             | ●             | ●             |               |  |
| 42   |                  | 1313 234 011 | 1253527     | Fork                    | 1    |                   | ●       |               |               |               |               |  |
| 42   | 149.171          | 1312 234 002 | 1246847     | Fork Lever              | 1    |                   |         | ●             | ●             | ●             |               |  |
| 43   | 139.331          | 0750 112 034 | 692237      | Cap Collar D.25x38x14,2 | 1    |                   | ●       | ●             | ●             | ●             |               |  |
| 44   | 189.422          | 1296 334 039 | 699798      | Piston                  | 1    |                   | ●       | ●             | ●             | ●             |               |  |
| 44   |                  | 1297 334 056 | 1235359     | Piston                  | 1    | (8)               |         |               |               |               | ●             |  |
| 45   | 132.047          | 1295 334 075 | 68348       | Cylinder                | 1    |                   | ●       | ●             | ●             | ●             |               |  |
| 45   |                  | 1297 334 055 | 1242735     | Cylinder                | 1    | (8)               |         |               |               |               | ●             |  |
| 46   | 198.339          | 1268 298 938 |             | Spring Slide Set        | 1    |                   | ●       | ●             | ●             | ●             |               |  |
| 47   | 198.564          | CEI 198564   |             | Spring Slide Set        | 1    |                   | ●       | ●             | ●             | ●             |               |  |
| 48   | 198.842          | 1295 298 933 |             | Spring Slide Set        | 1    |                   | ●       | ●             | ●             | ●             |               |  |
| 49   | 198.447          | CEI 198447   |             | Gear Set                | 1    |                   |         |               | ●             |               |               |  |
| 50   | 198.428          | 1295 298 960 | 1360726     | Oil Seal Ring Kit       | 1    |                   | ●       | ●             | ●             | ●             |               |  |
| 51   | 198.427          | 1295 298 915 | 1303044     | Gasket Kit              | 1    |                   | ●       | ●             | ●             | ●             |               |  |
| 52   | 198.856          | CEI 198856   |             | Synchronizer cone kit   | 1    | Can repl. fig. 15 | ●       | ●             | ●             | ●             |               |  |
| 53   | 135.128          | CEI 135128   |             | Saddle Plate            | 1    | Use with fig. 54  | ●       | ●             | ●             | ●             |               |  |
| 54   | 109.174          | 1296 333 050 | 1377131     | Synchronizer Cone       | 1    | Use with fig. 53  | ●       | ●             | ●             | ●             |               |  |

## Notes

(8) New Reinforced Style. Use items marked (8) together

## Date

03 / 2006

## Table

019 / B

All original equipment manufacturers numbers, symbols, pictures, models and description used in this catalogue are for reference only, and it is not implied that any part listed is the product of these manufactures.  
Tutti i nostri particolari non sono originali ma con essi intercambiabili. I riferimenti originali, le figure, i modelli sono esposti a semplice titolo indicativo. La nostra produzione riporta il nostro marchio.



suitable to :

**Z.F.****EcoSplit I****From 16S112/1 to 16S190/1****Application**

|                 | 16S112/1<br>(1296) | 16S130/1<br>(1295) | 16S160/1<br>(1297) | 16S190/1<br>(1297) |
|-----------------|--------------------|--------------------|--------------------|--------------------|
| <b>MERCEDES</b> |                    |                    |                    |                    |
| <b>MAN</b>      |                    |                    |                    |                    |
| <b>IVECO</b>    |                    |                    |                    |                    |
| <b>RVI</b>      |                    |                    |                    |                    |
| <b>DAF</b>      |                    |                    |                    |                    |
| <b>VOLVO</b>    |                    |                    |                    |                    |

**Ratios**

|                 | R.10,14-0,72<br><b>A</b> | R.11,46-0,85<br><b>B</b> | R.13,68-1,00<br><b>C</b> | R.14,29-0,82<br><b>D</b> | R.17,06-1,00<br><b>E</b> |
|-----------------|--------------------------|--------------------------|--------------------------|--------------------------|--------------------------|
| <b>16S112/1</b> |                          |                          |                          |                          |                          |
| <b>16S130/1</b> |                          |                          |                          |                          |                          |
| <b>16S160/1</b> |                          |                          |                          |                          |                          |
| <b>16S190/1</b> |                          |                          |                          |                          |                          |

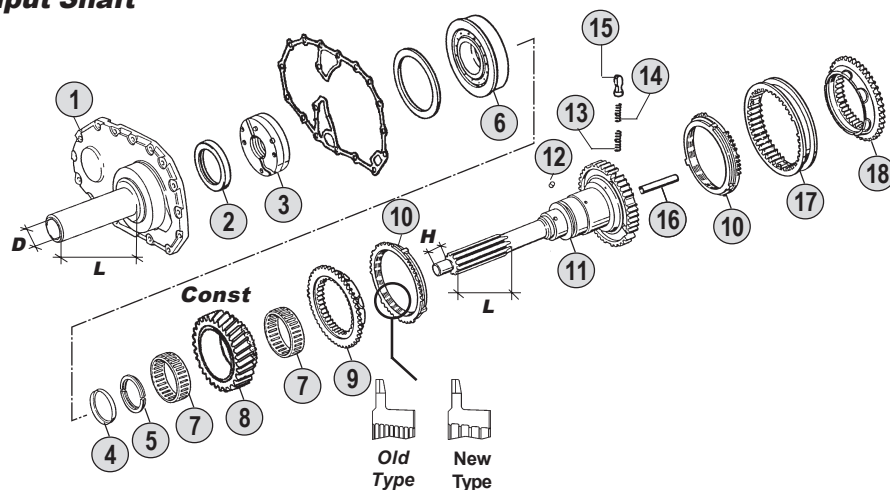
All original equipment manufacturers numbers, symbols, pictures, models and description used in this catalogue are for reference only, and it is not implied that any part listed is the product of these manufacturers. Tutti i nostri particolari non sono originali ma con essi intercambiabili. I riferimenti originali, le figure, i modelli sono esposti a semplice titolo indicativo. La nostra produzione riporta il nostro marchio.

**ECO I**  
From 16S112/1  
To 16S160/1

Suitable To : **ZF**

**16S112/1 - 16S130/1 - 16S160/1**

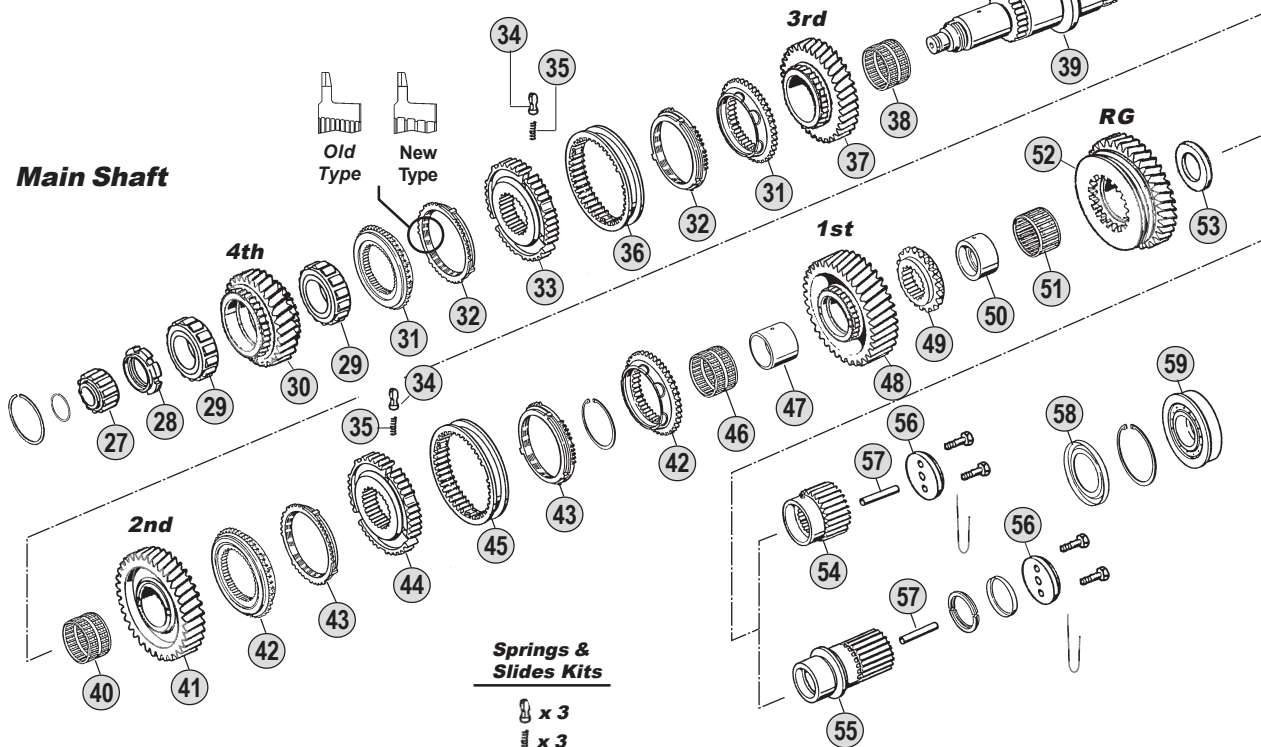
**Input Shaft**



**Springs & Slides Kits**

|               |               |               |
|---------------|---------------|---------------|
| x 3           | x 6           | x 9           |
| x 3           | x 6           | x 9           |
| x 3           | x 6           | x 9           |
| <b>Kit 70</b> | <b>Kit 71</b> | <b>Kit 72</b> |

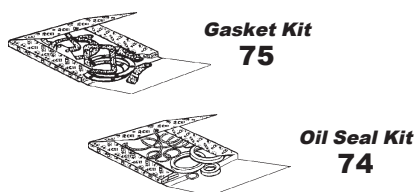
**Main Shaft**



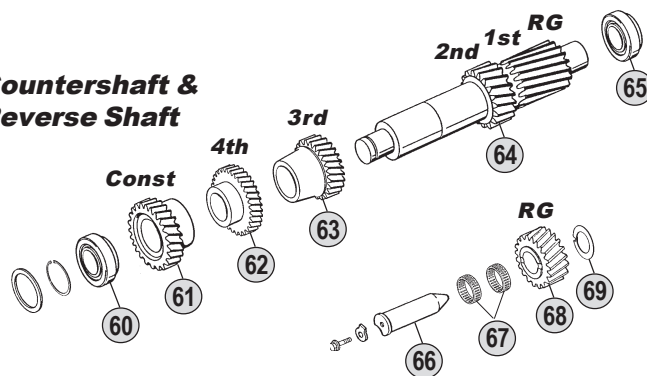
**Springs & Slides Kits**

|               |
|---------------|
| x 3           |
| x 3           |
| <b>Kit 73</b> |

**Kits**



**Countershaft & Reverse Shaft**



**Ratios**

|                                |                  |                  |                  |                |
|--------------------------------|------------------|------------------|------------------|----------------|
| <b>16S112/1</b> A :--          | B :--            | C : 13,68 - 1,00 | D :--            | E :--          |
| <b>16S130/1</b> A : 10,14-0,72 | B : 11,46 - 0,85 | C : 13,68 - 1,00 | D : 14,29 - 0,82 | E :--          |
| <b>16S160/1</b> A :--          | B : 11,46 - 0,85 | C : 13,68 - 1,00 | D : 14,29 - 0,82 | E : 17,06-1,00 |



All original equipment manufacturers' numbers, symbols, models and description used in this catalogue are for reference only, and it is not implied that any part listed is the product of these manufacturers. Tutti i nostri particolari non sono originali ma con essi intercambiabili. I riferimenti originali, le figure, i modelli sono esposti a semplice titolo indicativo. La nostra produzione riporta il nostro marchio.

| Fig. | CEI no.        | O.E.M. Reference |         | Description                 | Q.ty | Note                     | Ratio |                 |                 |                 |  |  |  |
|------|----------------|------------------|---------|-----------------------------|------|--------------------------|-------|-----------------|-----------------|-----------------|--|--|--|
|      |                | ZF no.           | DAF no. |                             |      |                          |       | 16S112/1 (1296) | 16S130/1 (1296) | 16S160/1 (1297) |  |  |  |
| 1    |                | 1297 302 011     | 689901  | Front Cover                 | 1    | L=147-D=57               | ●     | ●               | ●               |                 |  |  |  |
| 2    |                | 0750 111 002     | 609458  | Oil Seal 48x75x8            | 1    |                          | ●     | ●               | ●               |                 |  |  |  |
| 4    | 139.754        | 0730 310 386     | 1360734 | Oil Seal 55x75x8            | 1    | (1)                      |       | ●               |                 |                 |  |  |  |
| 2    |                | 0634 310 733     | 691662  | Oil Seal 90x110x13          | 1    | (2)                      |       | ●               | ●               |                 |  |  |  |
| 3    | <b>280.348</b> | 1295 202 041     | 692203  | Oil Pump                    | 1    |                          | ●     | ●               | ●               |                 |  |  |  |
| 4    | 169.754        | 0730 061 816     | 609456  | Securing Ring               | 1    |                          | ●     | ●               | ●               |                 |  |  |  |
| 4    | 169.755        | 0730 062 579     | 698621  | Securing Ring               | 1    | S.4,20 mm                | ●     | ●               | ●               |                 |  |  |  |
| 5    |                | 0730 103 244     | 609454  | Split Ring T.4,30 mm        | 1    | (3)                      | ●     | ●               | ●               |                 |  |  |  |
| 5    |                | 0730 103 935     | 692202  | Split Ring T.3,80 mm        | 1    | (3)                      | ●     | ●               | ●               |                 |  |  |  |
| 5    |                | 0730 105 156     | 698685  | Split Ring T.4,00 mm        | 1    | (4)                      | ●     | ●               | ●               |                 |  |  |  |
| 5    |                | 0730 105 154     |         | Split Ring T.3,80 mm        | 1    | (4)                      | ●     | ●               | ●               |                 |  |  |  |
| 6    | 130.305        | 0750 118 131     | 692179  | Bearing D.80x150x27,50      | 1    |                          | ●     | ●               | ●               |                 |  |  |  |
| 7    | 137.139        | 0735 320 799     | 696442  | Needle Cage D.88x96x23      | 2    |                          | ●     |                 |                 |                 |  |  |  |
| 7    | <b>137.082</b> | 0735 320 786     | 692204  | Needle Cage D.88x96x24,50   | 2    |                          |       | ●               |                 |                 |  |  |  |
| 7    | <b>137.153</b> | 0735 320 896     | 698642  | Needle Cage D.88x96x29      | 2    |                          |       |                 | ●               |                 |  |  |  |
| 8    | <b>145.447</b> | 1296 302 003     | 689902  | Constant Gear 28 T          | 1    |                          | C     | ●               |                 |                 |  |  |  |
| 8    | <b>145.276</b> | 1295 302 071     | 696921  | Constant Gear 28 T          | 1    |                          | AC    |                 | ●               |                 |  |  |  |
| 8    | 145.489        | 1295 302 070     | 692072  | Constant Gear 30 T          | 1    |                          | B     |                 | ●               |                 |  |  |  |
| 8    | 145.541        | 1295 302 122     | 67054   | Constant Gear 29 T          | 1    |                          | D     |                 | ●               |                 |  |  |  |
| 8    | <b>145.466</b> | 1297 302 177     | 67076   | Constant Gear 30 T          | 1    |                          | B     |                 |                 | ●               |  |  |  |
| 8    | <b>145.406</b> | 1297 302 176     | 66359   | Constant Gear 28 T          | 1    |                          | C     |                 |                 | ●               |  |  |  |
| 8    | <b>145.405</b> | 1297 302 250     | 1327921 | Constant Gear 29 T          | 1    |                          | D     |                 |                 | ●               |  |  |  |
| 8    | <b>145.407</b> | 1297 302 241     | 1255960 | Constant Gear 26 T          | 1    |                          | E     |                 |                 | ●               |  |  |  |
| 9    | <b>109.072</b> | 1295 304 278     | 692073  | Synchronizer Cone           | 1    |                          |       | ●               | ●               | ●               |  |  |  |
| 10   | <b>119.084</b> | 1295 304 004     | 692075  | Synchronizer Ring           | 2    | Old Type                 |       | ●               | ●               | ●               |  |  |  |
| 10   | <b>119.175</b> | 1304 304 686     |         | Synchronizer Ring           | 2    | New Type                 |       | ●               | ●               | ●               |  |  |  |
| 11   | 102.229        | 1296 202 006     | 689900  | Input Shaft                 | 1    |                          |       | ●               |                 |                 |  |  |  |
| 11   | 102.250        | 1295 202 005     | 67053   | Input Shaft                 | 1    | L=95 D=32                |       |                 | ●               |                 |  |  |  |
| 11   |                | 1295 202 052     |         | Input Shaft                 | 1    |                          |       |                 | ●               |                 |  |  |  |
| 11   |                | 1295 221 003     |         | Input Shaft                 | 1    | With NMV130 (Clutch PTO) |       |                 | ●               |                 |  |  |  |
| 11   | 102.246        | 1297 202 052     | 66358   | Input shaft                 | 1    |                          |       |                 |                 | ●               |  |  |  |
| 11   |                | 1297 221 008     |         | Input Shaft                 | 1    | With NMV130 (Clutch PTO) |       |                 |                 | ●               |  |  |  |
| 12   |                | 0635 470 012     | 110478  | Pin                         | 1    |                          |       | ●               | ●               | ●               |  |  |  |
| 13   | <b>156.037</b> | 0732 040 385     | 326963  | Outer Spring De.6x34        | 3    |                          |       | ●               | ●               | ●               |  |  |  |
| 14   | <b>156.036</b> | 0732 040 386     | 326964  | Inner Spring De.3x34        | 3    |                          |       | ●               | ●               | ●               |  |  |  |
| 15   | <b>160.116</b> | 1240 304 278     | 326962  | Pressure piece              | 3    |                          |       | ●               | ●               | ●               |  |  |  |
| 16   | 188.208        | 0730 062 323     |         | Oil Tube                    | 1    |                          |       | ●               | ●               | ●               |  |  |  |
| 17   | <b>154.097</b> | 1295 304 002     | 692074  | Sliding Sleeve              | 1    |                          |       | ●               | ●               | ●               |  |  |  |
| 18   | <b>109.072</b> | 1295 304 278     | 692073  | Synchronizer Cone           | 1    |                          |       | ●               | ●               | ●               |  |  |  |
| 27   | 137.081        | 0750 118 010     | 692182  | Roller Cage D.30x60x25,50   | 1    |                          |       | ●               | ●               |                 |  |  |  |
| 27   | 137.113        | 0750 118 038     | 1336466 | Roller Cage D.35x68x27,50   | 1    |                          |       |                 |                 | ●               |  |  |  |
| 28   | 187.412        | 0737 502 092     | 692208  | Grooved Nut M60x1,5         | 1    |                          |       | ●               | ●               | ●               |  |  |  |
| 29   | 137.155        | 0750 118 012     | 689918  | Roller Cage D.63x97,5x31,7  | 2    |                          |       | ●               |                 |                 |  |  |  |
| 29   | 137.083        | 0750 118 005     | 692209  | Roller Cage D.63x97,5x34,80 | 2    |                          |       |                 | ●               |                 |  |  |  |
| 29   | 137.157        | 0750 118 220     | 691359  | Roller Cage D.63x97,5x37,50 | 2    |                          |       |                 |                 | ●               |  |  |  |

## Notes

- (1) Only for input Shaft 1295 202 052  
 (2) Only for input Shaft 1295 221 003 - 1297 221 008  
 (3) To be coupled together with Fig. 4 - 0730 061 816  
 (4) To be coupled together with Fig. 4 - 0730 062 579

## Date

03 / 2006

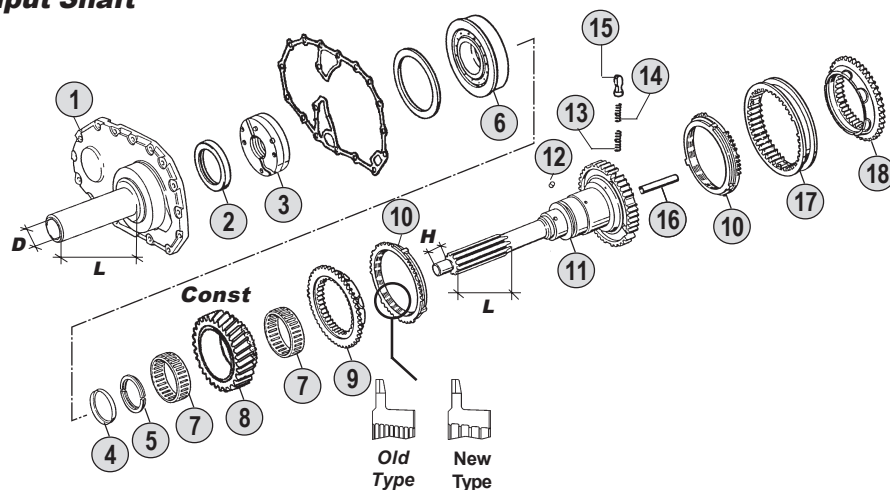
## Table

020 / A

Suitable To : **ZF**

**16S112/1 - 16S130/1 - 16S160/1**

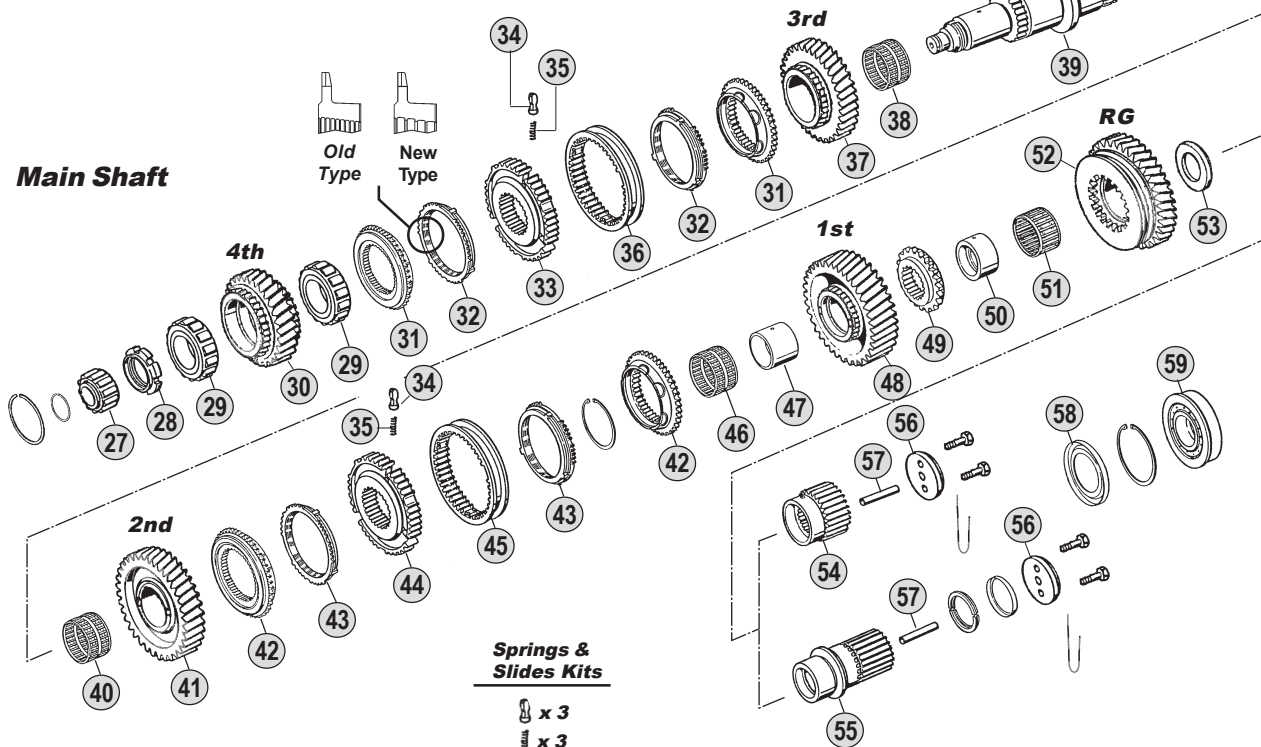
**Input Shaft**



**Springs & Slides Kits**

|               |               |               |
|---------------|---------------|---------------|
| x 3           | x 6           | x 9           |
| x 3           | x 6           | x 9           |
| x 3           | x 6           | x 9           |
| <b>Kit 70</b> | <b>Kit 71</b> | <b>Kit 72</b> |

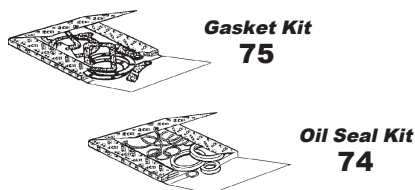
**Main Shaft**



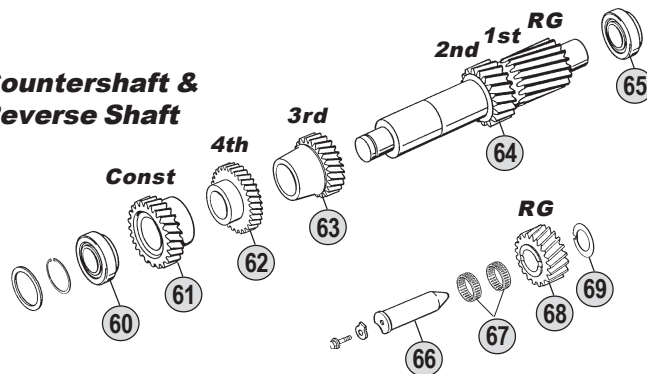
**Springs & Slides Kits**

|               |
|---------------|
| x 3           |
| x 3           |
| <b>Kit 73</b> |

**Kits**



**Countershaft & Reverse Shaft**



**Ratios**

|                         |                  |                  |                  |                |
|-------------------------|------------------|------------------|------------------|----------------|
| 16S112/1 A :--          | B :--            | C : 13,68 - 1,00 | D :--            | E :--          |
| 16S130/1 A : 10,14-0,72 | B : 11,46 - 0,85 | C : 13,68 - 1,00 | D : 14,29 - 0,82 | E :--          |
| 16S160/1 A :--          | B : 11,46 - 0,85 | C : 13,68 - 1,00 | D : 14,29 - 0,82 | E : 17,06-1,00 |

16S112/1 (1296)  
16S130/1 (1296)  
16S160/1 (1297)

| Fig. | CEI no. | O.E.M. Reference |         | Description            | Q.ty | Note     | Ratio |                 |                 |                 |  |  |  |
|------|---------|------------------|---------|------------------------|------|----------|-------|-----------------|-----------------|-----------------|--|--|--|
|      |         | ZF no.           | DAF no. |                        |      |          |       | 16S112/1 (1296) | 16S130/1 (1296) | 16S160/1 (1297) |  |  |  |
| 30   | 146.362 | 1296 304 090     | 689919  | Gear 4th Speed 30 T    | 1    |          | C     | ●               |                 |                 |  |  |  |
| 30   | 146.212 | 1295 304 135     | 696930  | Gear 4th Speed 30 T    | 1    |          | AC    |                 | ●               |                 |  |  |  |
| 30   | 146.356 | 1295 304 136     | 692093  | Gear 4th Speed 28 T    | 1    |          | B     |                 | ●               |                 |  |  |  |
| 30   | 146.454 | 1295 304 236     | 67059   | Gear 4th Speed 26 T    | 1    |          | D     |                 | ●               |                 |  |  |  |
| 30   | 146.384 | 1297 304 267     | 67085   | Gear 4th Speed 28 T    | 1    |          | B     |                 |                 | ●               |  |  |  |
| 30   | 146.318 | 1297 304 260     | 66376   | Gear 4th Speed 30 T    | 1    |          | C     |                 |                 | ●               |  |  |  |
| 30   | 146.315 | 1297 304 318     | 1324219 | Gear 4th Speed 26 T    | 1    |          | D     |                 |                 | ●               |  |  |  |
| 30   | 146.294 | 1297 304 413     | 1255966 | Gear 4th Speed 29 T    | 1    |          | E     |                 |                 | ●               |  |  |  |
| 31   | 109.114 | 1297 304 369     | 66375   | Synchronizer Cone      | 2    |          |       | ●               | ●               | ●               |  |  |  |
| 32   | 119.119 | 1297 304 402     | 66373   | Synchronizer Ring      | 2    | Old Type |       | ●               | ●               | ●               |  |  |  |
| 32   | 119.167 | 1297 304 484     | 1342731 | Synchronizer Ring      | 2    | New Type |       | ●               | ●               | ●               |  |  |  |
| 33   | 157.140 | 1297 304 446     | 68983   | Synchronizer Hub       | 1    |          |       | ●               | ●               | ●               |  |  |  |
| 34   | 160.189 | 1297 304 436     | 68332   | Pressure Piece         | 3    |          |       | ●               | ●               | ●               |  |  |  |
| 35   | 156.140 | 0732 040 409     | 171349  | Spring D.6,50x23,50    | 3    |          |       | ●               | ●               | ●               |  |  |  |
| 36   | 154.135 | 1310 304 202     | 1377181 | Sliding Sleeve         | 1    |          |       | ●               | ●               | ●               |  |  |  |
| 37   | 145.494 | 1296 304 087     | 689916  | Gear 3rd Speed 34 T    | 1    |          | C     | ●               |                 |                 |  |  |  |
| 37   |         | 1295 304 269     | 696931  | Gear 3rd Speed 25 T    | 1    |          | A     |                 | ●               |                 |  |  |  |
| 37   | 145.495 | 1295 304 127     | 692092  | Gear 3rd Speed 32 T    | 1    |          | BD    |                 | ●               |                 |  |  |  |
| 37   | 145.277 | 1295 304 128     | 698133  | Gear 3rd Speed 34 T    | 1    |          | C     |                 | ●               |                 |  |  |  |
| 37   | 145.470 | 1297 304 266     | 67084   | Gear 3rd Speed 32 T    | 1    |          | BD    |                 |                 | ●               |  |  |  |
| 37   | 145.450 | 1297 304 261     | 66371   | Gear 3rd Speed 34 T    | 1    |          | C     |                 |                 | ●               |  |  |  |
| 37   | 145.377 | 1297 304 414     | 1255965 | Gear 3rd Speed 34 T    | 1    |          | E     |                 |                 | ●               |  |  |  |
| 38   | 137.158 | 0735 320 460     | 689910  | Needle Cage D.82x90x46 | 1    |          |       | ●               |                 |                 |  |  |  |
| 38   | 137.084 | 0735 320 418     | 692205  | Needle Cage D.82x90x49 | 1    |          |       |                 | ●               |                 |  |  |  |
| 38   | 137.112 | 0735 320 451     | 691351  | Needle Cage D.82x90x60 | 1    |          |       |                 |                 | ●               |  |  |  |
| 39   | 103.131 | 1296 304 119     | 689909  | Main Shaft             | 1    |          |       | ●               |                 |                 |  |  |  |
| 39   |         | 1295 304 273     | 696926  | Main Shaft             | 1    |          | A     |                 | ●               |                 |  |  |  |
| 39   | 103.075 | 1295 304 245     | 692080  | Main Shaft             | 1    |          | BC    |                 | ●               |                 |  |  |  |
| 39   | 103.140 | 1295 304 250     | 67057   | Main Shaft             | 1    |          | D     |                 | ●               |                 |  |  |  |
| 39   | 103.132 | 1297 304 181     | 66363   | Main Shaft             | 1    |          | BC    |                 |                 | ●               |  |  |  |
| 39   | 103.098 | 1297 304 193     | 689291  | Main Shaft             | 1    |          | DE    |                 |                 | ●               |  |  |  |
| 40   |         | 0735 320 549     | 689917  | Needle Cage D.82x90x42 | 1    |          |       | ●               |                 |                 |  |  |  |
| 40   | 137.112 | 0735 320 451     | 691351  | Needle Cage D.82x90x60 | 1    |          | A     |                 | ●               |                 |  |  |  |
| 40   | 137.084 | 0735 320 418     | 692205  | Needle Cage D.82x90x49 | 1    |          | BCD   |                 | ●               |                 |  |  |  |
| 40   | 137.109 | 0735 320 452     | 691352  | Needle Cage D.82x90x55 | 1    |          |       |                 |                 | ●               |  |  |  |
| 41   | 145.499 | 1296 304 070     | 689911  | Gear 2nd Speed 38 T    | 1    |          | C     | ●               |                 |                 |  |  |  |
| 41   |         | 1295 304 271     | 696927  | Gear 2nd Speed 34 T    | 1    |          | A     |                 | ●               |                 |  |  |  |
| 41   | 145.501 | 1295 304 120     | 692081  | Gear 2nd Speed 37 T    | 1    |          | BD    |                 | ●               |                 |  |  |  |
| 41   | 145.278 | 1295 304 121     | 698314  | Gear 2nd Speed 38 T    | 1    |          | C     |                 | ●               |                 |  |  |  |
| 41   | 145.500 | 1297 304 269     | 67081   | Gear 2nd Speed 37 T    | 1    |          | BD    |                 |                 | ●               |  |  |  |
| 41   | 145.375 | 1297 304 442     | 691388  | Gear 2nd Speed 38 T    | 1    |          | CE    |                 |                 | ●               |  |  |  |
| 42   | 109.113 | 1297 304 371     | 66367   | Synchronizer Cone      | 2    |          |       | ●               | ●               | ●               |  |  |  |
| 43   | 119.122 | 1297 304 401     | 66365   | Synchronizer Ring      | 2    | Old Type |       | ●               | ●               | ●               |  |  |  |
| 43   | 119.166 | 1297 304 485     | 1360740 | Synchronizer Ring      | 2    | New Type |       | ●               | ●               | ●               |  |  |  |
| 44   | 157.139 | 1297 304 445     | 68982   | Synchronizer Hub       | 1    |          |       | ●               | ●               | ●               |  |  |  |

## Notes

- (1) Only for input Shaft 1295 202 052
- (2) Only for input Shaft 1295 221 003 - 1297 221 008
- (3) To be coupled together with Fig. 4 - 0730 061 816
- (4) To be coupled together with Fig. 4 - 0730 062 579

## Date

03 / 2006

## Table

020 / A

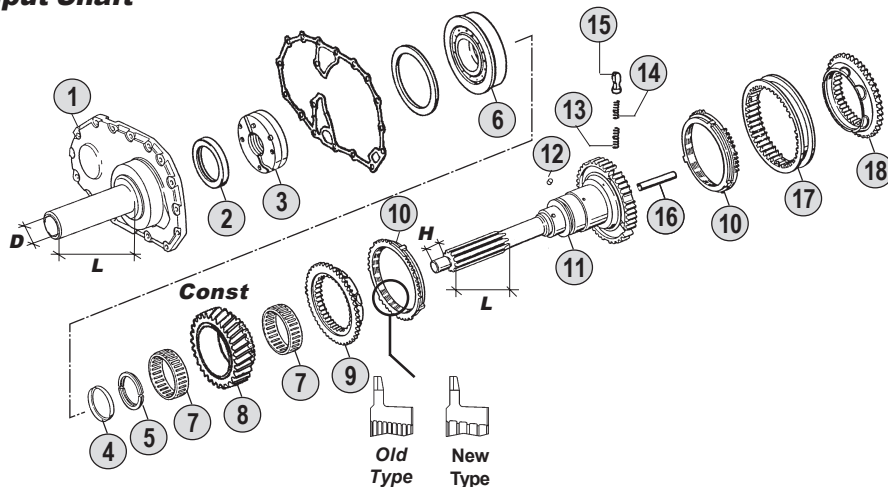
All original equipment manufacturers numbers, symbols, pictures, models and description used in this catalogue are for reference only, and it is not implied that any part listed is the product of these manufacturers. Tutti i nostri particolari non sono originali ma con essi intercambiabili. I riferimenti originali, le figure, i modelli sono esposti a semplice titolo indicativo. La nostra produzione riporta il nostro marchio.



Suitable To : **ZF**

**16S112/1 - 16S130/1 - 16S160/1**

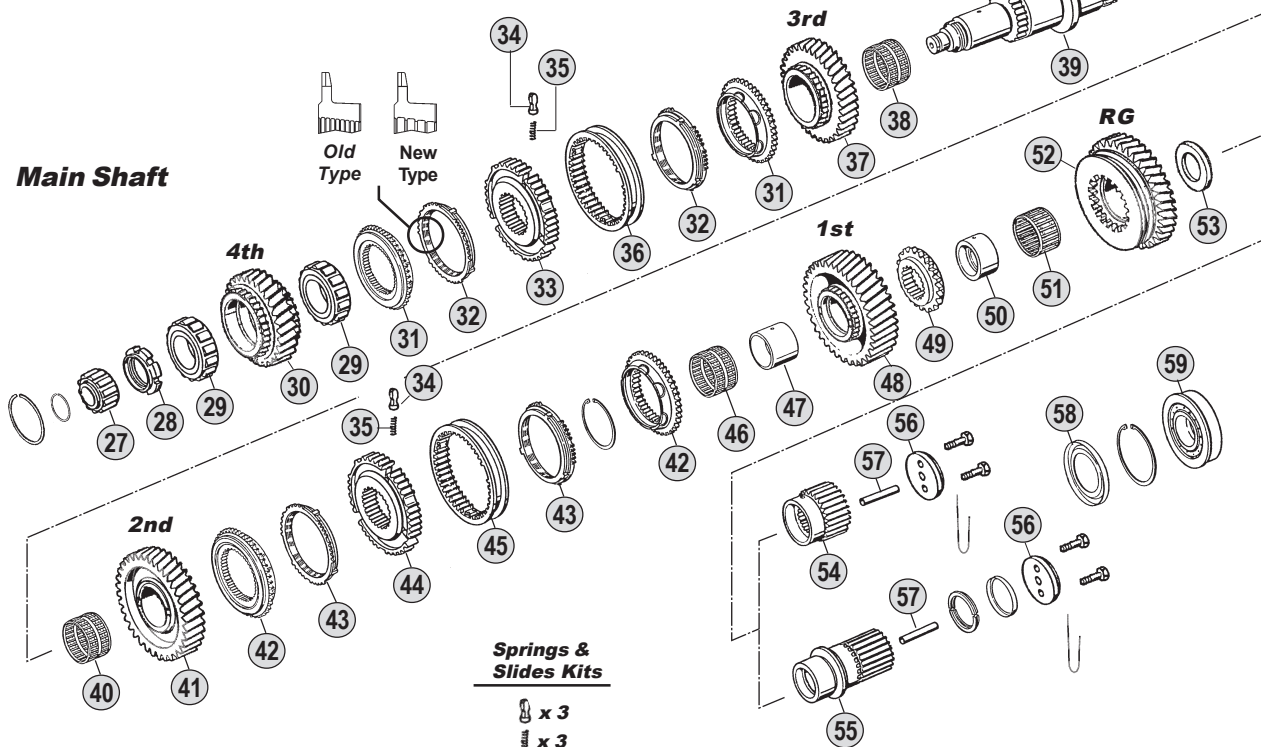
**Input Shaft**



**Springs & Slides Kits**

|               |               |               |
|---------------|---------------|---------------|
| x 3           | x 6           | x 9           |
| x 3           | x 6           | x 9           |
| x 3           | x 6           | x 9           |
| <b>Kit 70</b> | <b>Kit 71</b> | <b>Kit 72</b> |

**Main Shaft**



**Springs & Slides Kits**

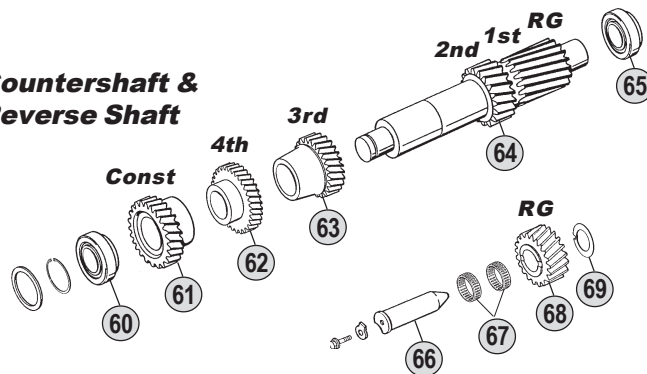
|               |
|---------------|
| x 3           |
| x 3           |
| <b>Kit 73</b> |

**Kits**



66

**Countershaft & Reverse Shaft**



**Ratios**

|                         |                  |                  |                  |                |
|-------------------------|------------------|------------------|------------------|----------------|
| 16S112/1 A :--          | B :--            | C : 13,68 - 1,00 | D :--            | E :--          |
| 16S130/1 A : 10,14-0,72 | B : 11,46 - 0,85 | C : 13,68 - 1,00 | D : 14,29 - 0,82 | E :--          |
| 16S160/1 A :--          | B : 11,46 - 0,85 | C : 13,68 - 1,00 | D : 14,29 - 0,82 | E : 17,06-1,00 |



All original equipment manufacturers' numbers, symbols, pictures, models and description used in this catalogue are for reference only, and it is not implied that any part listed is the product of these manufacturers. Tutti i nostri particolari non sono originali ma con essi intercambiabili. I riferimenti originali, le figure, i modelli sono esposti a semplice titolo indicativo. La nostra produzione riporta il nostro marchio.

| Fig. | CEI no. | O.E.M. Reference |         | Description            | Q.ty | Note | Ratio |                 |                 |                 |  |  |  |
|------|---------|------------------|---------|------------------------|------|------|-------|-----------------|-----------------|-----------------|--|--|--|
|      |         | ZF no.           | DAF no. |                        |      |      |       | 16S112/1 (1296) | 16S130/1 (1296) | 16S160/1 (1297) |  |  |  |
| 45   | 154.136 | 1297 304 450     | 66366   | Sliding Sleeve         | 1    |      |       | ●               |                 |                 |  |  |  |
| 45   |         | 1268 304 570     | 1228194 | Sliding Sleeve         | 1    |      | A     |                 | ●               |                 |  |  |  |
| 45   | 154.136 | 1297 304 450     | 66366   | Sliding sleeve         | 1    |      | BCD   |                 | ●               |                 |  |  |  |
| 45   | 154.136 | 1297 304 450     | 66366   | Sliding sleeve         | 1    |      |       |                 |                 | ●               |  |  |  |
| 46   | 137.159 | 0735 320 548     | 689912  | Needle Cage D.70x78x46 | 1    |      |       | ●               |                 |                 |  |  |  |
| 46   | 137.159 | 0735 320 548     | 689912  | Needle Cage D.70x78x46 | 1    |      | A     |                 | ●               |                 |  |  |  |
| 46   | 137.085 | 0735 320 496     | 692206  | Needle Cage D.70x78x55 | 1    |      | BCD   |                 | ●               |                 |  |  |  |
| 46   | 137.110 | 0735 320 487     | 691354  | Needle Cage D.82x90x68 | 1    |      |       |                 |                 | ●               |  |  |  |
| 47   | 117.246 | 1297 304 035     | 691392  | Bush                   | 1    |      |       |                 |                 | ●               |  |  |  |
| 48   | 145.505 | 1296 304 099     | 689913  | Gear 1st Speed 47 T    | 1    |      | C     | ●               |                 |                 |  |  |  |
| 48   |         | 1295 304 270     | 696928  | Gear 1st Speed 41 T    | 1    |      | A     |                 | ●               |                 |  |  |  |
| 48   | 145.506 | 1295 304 203     | 691791  | Gear 1st Speed 44 T    | 1    |      | BD    |                 | ●               |                 |  |  |  |
| 48   | 145.279 | 1295 304 202     | 698135  | Gear 1st Speed 47 T    | 1    |      | C     |                 | ●               |                 |  |  |  |
| 48   | 145.507 | 1297 304 270     | 67082   | Gear 1st Speed 44 T    | 1    |      | BD    |                 |                 | ●               |  |  |  |
| 48   | 145.376 | 1297 304 441     | 689292  | Gear 1st Speed 47 T    | 1    |      | CE    |                 |                 | ●               |  |  |  |
| 49   | 109.075 | 1295 304 206     | 691792  | Engaging Ring          | 1    |      |       | ●               |                 |                 |  |  |  |
| 49   | 109.184 | 1295 304 024     | 692088  | Engaging Ring          | 1    |      | A     |                 | ●               |                 |  |  |  |
| 49   | 109.075 | 1295 304 206     | 691792  | Engaging Ring          | 1    |      | BCD   |                 | ●               |                 |  |  |  |
| 49   | 109.178 | 1297 304 154     | 689293  | Engaging Ring          | 1    |      |       |                 |                 | ●               |  |  |  |
| 50   | 117.203 | 1295 304 012     | 692089  | Bush D.60x75x38        | 1    |      |       | ●               |                 |                 |  |  |  |
| 50   | 117.203 | 1295 304 012     | 692089  | Bush D.60x75x38        | 1    |      | ABC   |                 | ●               |                 |  |  |  |
| 50   | 117.318 | 1297 304 034     | 691391  | Bush                   | 1    |      | BC    |                 |                 | ●               |  |  |  |
| 51   | 137.086 | 0750 115 059     | 692207  | Needle Cage D.75x83x40 | 1    |      |       | ●               | ●               |                 |  |  |  |
| 51   | 137.111 | 0735 320 486     | 691353  | Needle Cage D.78x86x44 | 1    |      |       |                 |                 | ●               |  |  |  |
| 52   | 147.136 | 1296 304 097     |         | Reverse Gear 38 T      | 1    |      | C     | ●               |                 |                 |  |  |  |
| 52   |         | 1295 304 272     | 696929  | Reverse Gear 39 T      | 1    |      | A     |                 | ●               |                 |  |  |  |
| 52   | 147.138 | 1295 304 201     | 691793  | Reverse Gear 39 T      | 1    |      | BD    |                 | ●               |                 |  |  |  |
| 52   | 147.093 | 1295 304 200     | 698136  | Reverse Gear 38 T      | 1    |      | C     |                 | ●               |                 |  |  |  |
| 52   | 147.109 | 1297 304 149     | 67083   | Reverse Gear 39 T      | 1    |      | BD    |                 |                 | ●               |  |  |  |
| 52   | 147.140 | 1297 304 148     | 689294  | Reverse Gear 38 T      | 1    |      | CE    |                 |                 | ●               |  |  |  |
| 53   | 169.756 | 1296 304 117     | 689915  | Thrust Washer          | 1    |      |       | ●               |                 |                 |  |  |  |
| 53   | 169.409 | 1295 304 240     | 691794  | Thrust Washer          | 1    |      | ABC   |                 | ●               |                 |  |  |  |
| 53   | 169.757 | 1297 304 381     | 66370   | Thrust Washer          | 1    |      | BC    |                 |                 | ●               |  |  |  |
| 54   | 157.211 | 1295 304 247     | 689920  | Sun Gear 27 T          | 1    |      |       | ●               |                 |                 |  |  |  |
| 54   | 157.112 | 1295 304 248     | 692094  | Sun Gear 27 T          | 1    |      | ABC   |                 | ●               |                 |  |  |  |
| 54   | 157.177 | 1297 304 187     | 66377   | Sun Gear 27 T          | 1    |      | BC    |                 |                 | ●               |  |  |  |
| 55   | 157.207 | 1295 304 251     | 67060   | Sun Gear 24 T          | 1    |      | D     |                 | ●               |                 |  |  |  |
| 55   | 157.198 | 1297 304 439     | 689295  | Sun Gear 24 T          | 1    |      | DE    |                 |                 | ●               |  |  |  |
| 56   | 188.076 | 1272 304 021     | 609466  | Stop Washer            | 1    |      |       | ●               | ●               | ●               |  |  |  |
| 57   |         | 0730 061 842     | 692222  | Oil Tube               | 1    |      |       | ●               | ●               | ●               |  |  |  |
| 58   |         | 1295 304 129     | 692066  | Oil Collector          | 1    |      |       | ●               |                 |                 |  |  |  |
| 58   |         | 1295 304 129     | 692066  | Oil Collector          | 1    |      | ABC   |                 | ●               |                 |  |  |  |
| 58   |         | 1297 301 004     | 691381  | Oil Collector          | 1    |      | D     |                 | ●               |                 |  |  |  |
| 58   |         | 1297 301 004     | 691381  | Oil Collector          | 1    |      |       |                 |                 | ●               |  |  |  |
| 59   | 130.240 | 0750 118 153     | 69105   | Bearing D.60x130x31    | 1    |      |       | ●               |                 |                 |  |  |  |

## Notes

- (1) Only for input Shaft 1295 202 052
- (2) Only for input Shaft 1295 221 003 - 1297 221 008
- (3) To be coupled together with Fig. 4 - 0730 061 816
- (4) To be coupled together with Fig. 4 - 0730 062 579

## Date

03 / 2006

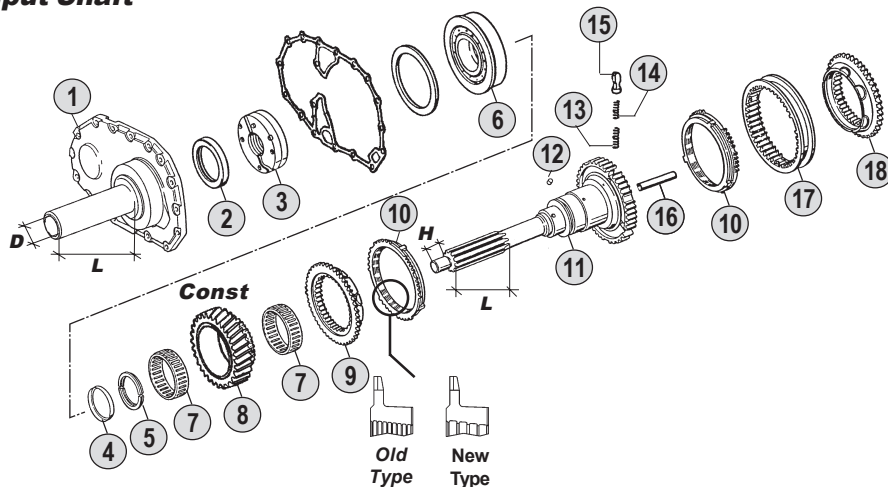
## Table

020 / A

Suitable To : **ZF**

**16S112/1 - 16S130/1 - 16S160/1**

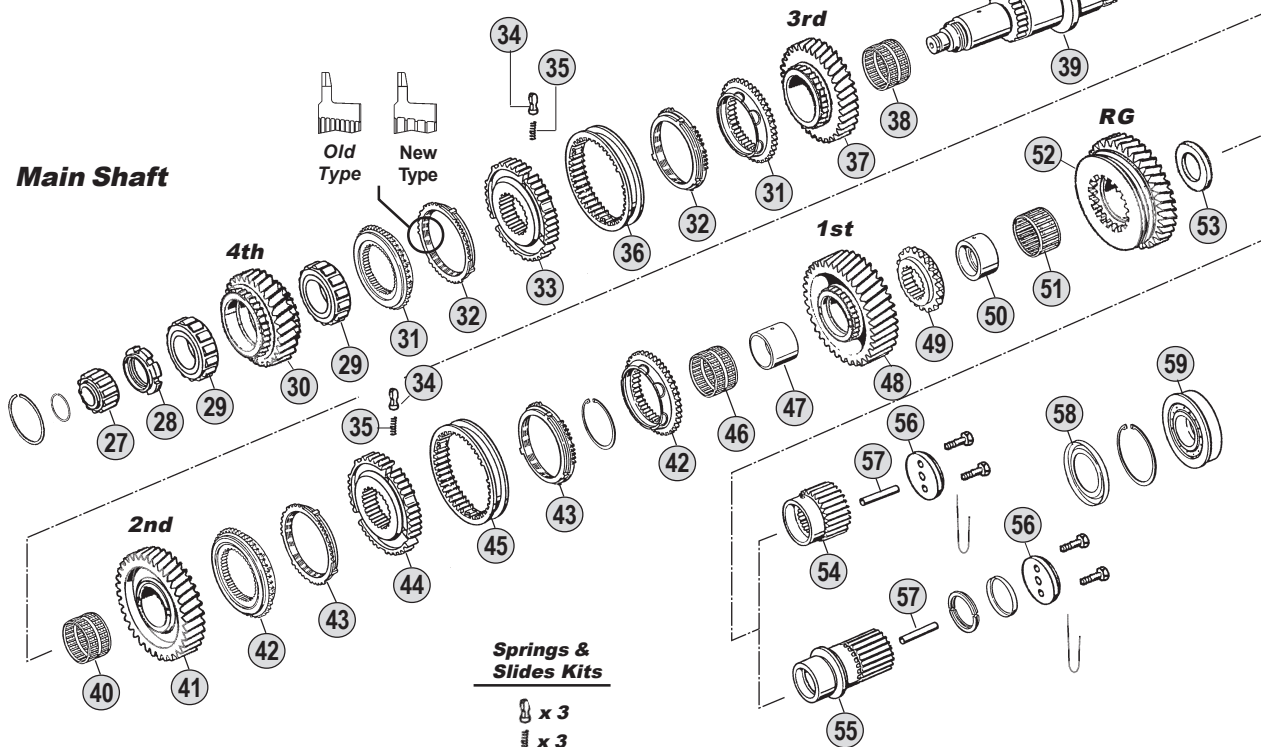
**Input Shaft**



**Springs & Slides Kits**

|               |               |               |
|---------------|---------------|---------------|
| x 3           | x 6           | x 9           |
| x 3           | x 6           | x 9           |
| x 3           | x 6           | x 9           |
| <b>Kit 70</b> | <b>Kit 71</b> | <b>Kit 72</b> |

**Main Shaft**



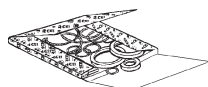
**Springs & Slides Kits**

|               |
|---------------|
| x 3           |
| x 3           |
| <b>Kit 73</b> |

**Kits**



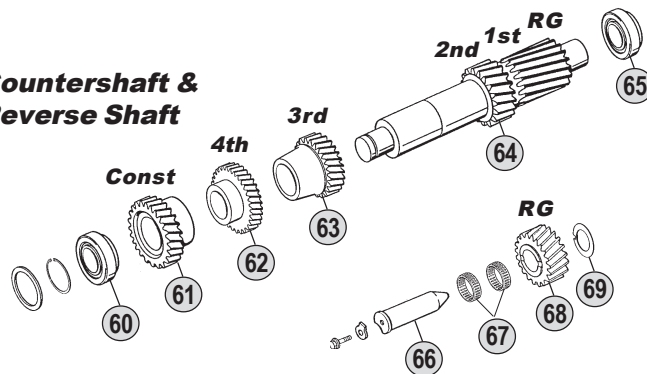
**Gasket Kit 75**



**Oil Seal Kit 74**

66

**Countershaft & Reverse Shaft**



**Ratios**

|                                |                  |                  |                  |                |
|--------------------------------|------------------|------------------|------------------|----------------|
| <b>16S112/1</b> A :--          | B :--            | C : 13,68 - 1,00 | D :--            | E :--          |
| <b>16S130/1</b> A : 10,14-0,72 | B : 11,46 - 0,85 | C : 13,68 - 1,00 | D : 14,29 - 0,82 | E :--          |
| <b>16S160/1</b> A :--          | B : 11,46 - 0,85 | C : 13,68 - 1,00 | D : 14,29 - 0,82 | E : 17,06-1,00 |



All original equipment manufacturers' numbers, symbols, models and description used in this catalogue are for reference only, and it is not implied that any part listed is the product of these manufacturers. Tutti i nostri particolari non sono originali ma con essi intercambiabili. I riferimenti originali, le figure, i modelli sono esposti a semplice titolo indicativo. La nostra produzione riporta il nostro marchio.

16S112/1 (1296)  
16S130/1 (1296)  
16S160/1 (1297)

| Fig. | O.E.M. Reference |              | Description | Q.ty                      | Note | Ratio |         |                 |                 |                 |  |
|------|------------------|--------------|-------------|---------------------------|------|-------|---------|-----------------|-----------------|-----------------|--|
|      | CEI no.          | ZF no.       |             |                           |      |       | DAF no. | 16S112/1 (1296) | 16S130/1 (1296) | 16S160/1 (1297) |  |
| 59   | 130.240          | 0750 118 153 | 69105       | Bearing D.60x130x31       | 1    | ABC   | ●       |                 |                 |                 |  |
| 59   |                  | 0750 118 137 | 67052       | Bearing 80x140x26         | 1    | D     | ●       |                 |                 |                 |  |
| 59   | 130.702          | 0750 118 006 | 66357       | Bearing 65x140x33         | 1    | BC    |         | ●               |                 |                 |  |
| 59   | 130.703          | 0750 118 180 | 689289      | Bearing 80x140x33         | 1    | DE    |         |                 | ●               |                 |  |
| 60   | 130.242          | 0750 117 010 | 692181      | Bearing D.50,80x100x35    | 1    |       | ●       | ●               | ●               |                 |  |
| 61   | 146.364          | 1296 303 014 | 689907      | Constant Gear 34 T        | 1    | C     | ●       |                 |                 |                 |  |
| 61   | 146.210          | 1295 303 101 | 1339401     | Constant Gear 34 T        | 1    | AC    |         | ●               |                 |                 |  |
| 61   | 146.354          | 1295 303 036 | 692078      | Constant Gear 31 T        | 1    | B     |         | ●               |                 |                 |  |
| 61   | 146.457          | 1295 303 060 | 67055       | Constant Gear 32 T        | 1    | D     |         | ●               |                 |                 |  |
| 61   | 146.383          | 1297 303 074 | 67079       | Constant Gear 31 T        | 1    | B     |         |                 | ●               |                 |  |
| 61   | 146.322          | 1297 303 066 | 66361       | Constant Gear 34 T        | 1    | C     |         |                 | ●               |                 |  |
| 61   | 146.319          | 1297 303 098 | 1327922     | Constant Gear 32 T        | 1    | D     |         |                 | ●               |                 |  |
| 61   | 146.321          | 1297 303 086 | 691387      | Constant Gear 35 T        | 1    | E     |         |                 | ●               |                 |  |
| 62   | 146.363          | 1296 303 002 | 689908      | Gear 4th Speed 31 T       | 1    | C     | ●       |                 |                 |                 |  |
| 62   | 146.209          | 1295 303 027 | 696925      | Gear 4th Speed 31 T       | 1    | AC    |         | ●               |                 |                 |  |
| 62   | 146.413          | 1295 303 028 | 692079      | Gear 4th Speed 34 T       | 1    | B     |         | ●               |                 |                 |  |
| 62   | 146.461          | 1295 303 094 | 67056       | Gear 4th Speed 35 T       | 1    | D     |         | ●               |                 |                 |  |
| 62   | 146.382          | 1297 303 072 | 67080       | Gear 4th Speed 34 T       | 1    | B     |         |                 | ●               |                 |  |
| 62   | 146.381          | 1297 303 065 | 66362       | Gear 4th Speed 31 T       | 1    | C     |         |                 | ●               |                 |  |
| 62   | 146.415          | 1297 303 097 | 1336470     | Gear 4th Speed 35 T       | 1    | D     |         |                 | ●               |                 |  |
| 62   | 146.416          | 1297 303 123 | 691385      | Gear 4th Speed 32 T       | 1    | E     |         |                 | ●               |                 |  |
| 63   | 146.419          | 1296 303 009 | 689906      | Gear 3rd Speed 25 T       | 1    | C     | ●       |                 |                 |                 |  |
| 63   |                  | 1295 303 071 | 696923      | Gear 3rd Speed 36 T       | 1    | A     |         | ●               |                 |                 |  |
| 63   | 146.355          | 1295 303 025 | 692077      | Gear 3rd Speed 28 T       | 1    | BD    |         | ●               |                 |                 |  |
| 63   | 146.211          | 1295 303 026 | 698138      | Gear 3rd Speed 25 T       | 1    | C     |         | ●               |                 |                 |  |
| 63   | 146.357          | 1297 303 073 | 67078       | Gear 3rd Speed 28 T       | 1    | BD    |         |                 | ●               |                 |  |
| 63   | 146.421          | 1297 303 067 | 66360       | Gear 3rd Speed 25 T       | 1    | C     |         |                 | ●               |                 |  |
| 63   | 146.422          | 1297 303 132 | 691386      | Gear 3rd Speed 26 T       | 1    | E     |         |                 | ●               |                 |  |
| 64   | 105.104          | 1296 303 025 | 689904      | Countershaft 17-20 T      | 1    | C     | ●       |                 |                 |                 |  |
| 64   |                  | 1295 303 072 | 696622      | Countershaft              | 1    | A     |         | ●               |                 |                 |  |
| 64   | 105.119          | 1295 303 067 | 697068      | Countershaft 19-23 T      | 1    | BD    |         | ●               |                 |                 |  |
| 64   | 105.060          | 1295 303 066 | 698137      | Countershaft 17-20 T      | 1    | C     |         | ●               |                 |                 |  |
| 64   | 105.092          | 1297 303 075 | 67077       | Countershaft 19-23 T      | 1    | BD    |         |                 | ●               |                 |  |
| 64   | 105.093          | 1297 303 140 | 689298      | Countershaft 17-20 T      | 1    | CE    |         |                 | ●               |                 |  |
| 65   | 130.307          | 0750 117 011 | 689905      | Bearing D.50,8x104,7x39,6 | 1    |       | ●       |                 |                 |                 |  |
| 65   | 130.243          | 0750 117 008 | 692180      | Bearing D.50x110x42       | 1    |       |         | ●               |                 |                 |  |
| 65   | 130.308          | 0750 117 009 | 691357      | Bearing D.49,2x103,1x43,6 | 1    |       |         |                 | ●               |                 |  |
| 66   | 107.108          | 1295 305 056 | 692068      | Reverse Gear Pin          | 1    |       | ●       | ●               | ●               |                 |  |
| 67   | 137.007          | 0750 115 011 | 584385      | Needle Cage D.45x53x21    | 2    |       | ●       | ●               | ●               |                 |  |
| 68   | 147.094          | 1295 305 052 | 689290      | Reverse Gear 24 T         | 1    | C     | ●       |                 |                 |                 |  |
| 68   | 147.153          | 1297 305 003 | 692067      | Reverse Gear 21 T         | 1    | A     |         | ●               |                 |                 |  |
| 68   | 147.133          | 1295 305 051 | 691719      | Reverse Gear 21 T         | 1    | BD    |         | ●               |                 |                 |  |
| 68   | 147.094          | 1295 305 052 | 689290      | Reverse Gear 24 T         | 1    | C     |         | ●               |                 |                 |  |
| 68   | 147.133          | 1295 305 051 | 691719      | Reverse Gear 21 T         | 1    | BD    |         |                 | ●               |                 |  |
| 68   | 147.094          | 1295 305 052 | 689290      | Reverse Gear 24 T         | 1    | CE    |         |                 | ●               |                 |  |

## Notes

- (1) Only for input Shaft 1295 202 052
- (2) Only for input Shaft 1295 221 003 - 1297 221 008
- (3) To be coupled together with Fig. 4 - 0730 061 816
- (4) To be coupled together with Fig. 4 - 0730 062 579

## Date

03 / 2006

## Table

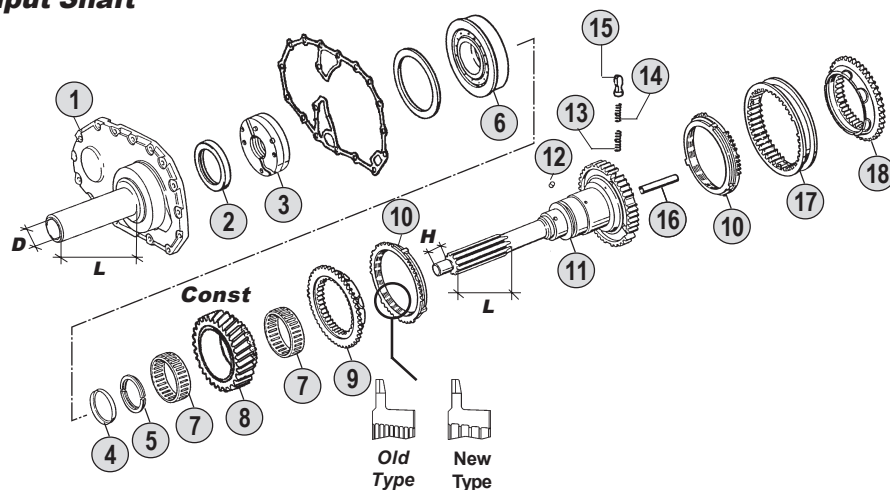
020 / A

All original equipment manufacturers numbers, symbols, pictures, models and description used in this catalogue are for reference only, and it is implied that any part listed is the product of these manufactures.  
Tutti i nostri particolari non sono originali ma con essi intercambiabili. I riferimenti originali, le figure, i modelli sono esposti a semplice titolo indicativo. La nostra produzione riporta il nostro marchio.

Suitable To : **ZF**

**16S112/1 - 16S130/1 - 16S160/1**

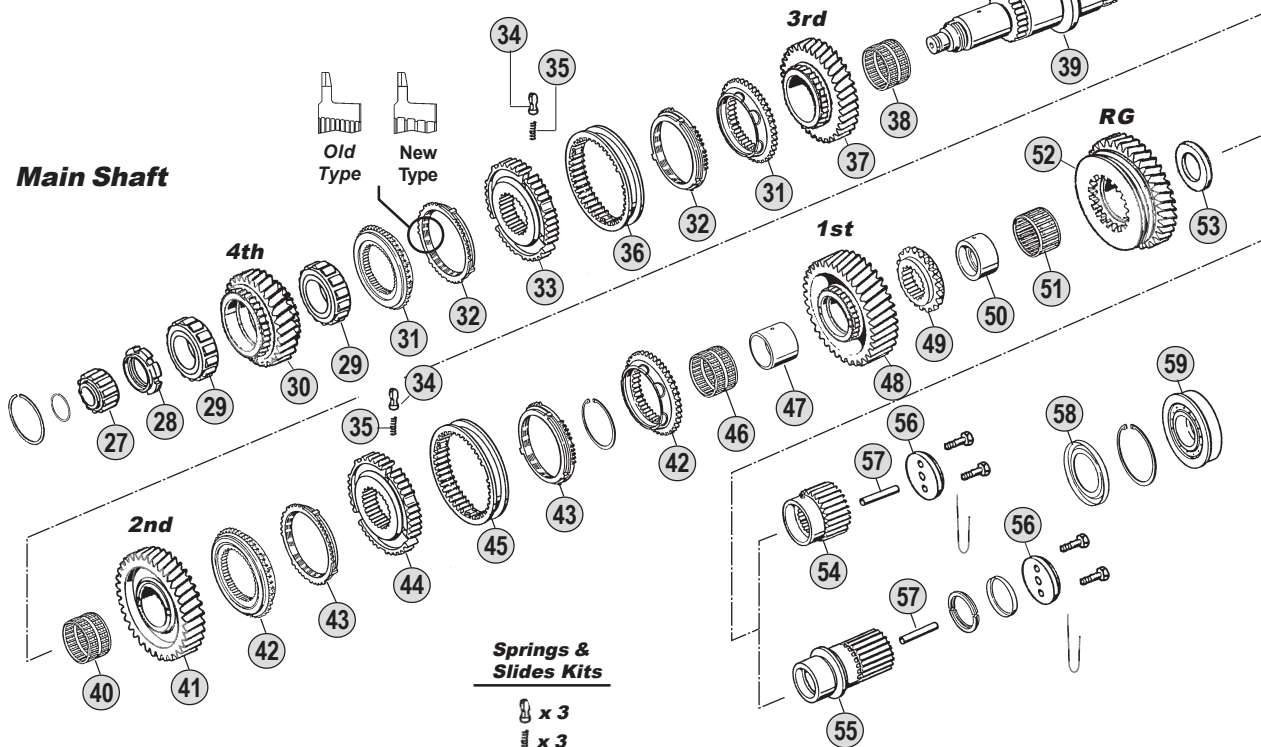
**Input Shaft**



**Springs & Slides Kits**

|               |               |               |
|---------------|---------------|---------------|
| x 3           | x 6           | x 9           |
| x 3           | x 6           | x 9           |
| x 3           | x 6           | x 9           |
| <b>Kit 70</b> | <b>Kit 71</b> | <b>Kit 72</b> |

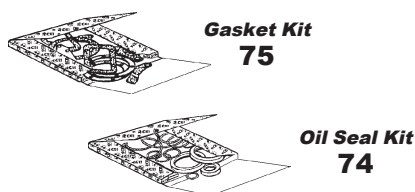
**Main Shaft**



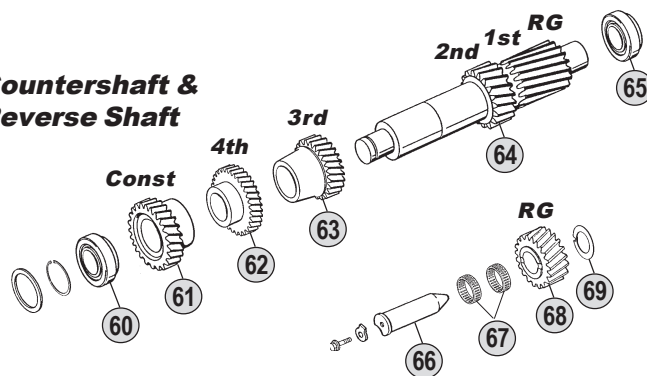
**Springs & Slides Kits**

|               |
|---------------|
| x 3           |
| x 3           |
| <b>Kit 73</b> |

**Kits**



**Countershaft & Reverse Shaft**



**Ratios**

|                         |                  |                  |                  |                |
|-------------------------|------------------|------------------|------------------|----------------|
| 16S112/1 A :--          | B :--            | C : 13,68 - 1,00 | D :--            | E :--          |
| 16S130/1 A : 10,14-0,72 | B : 11,46 - 0,85 | C : 13,68 - 1,00 | D : 14,29 - 0,82 | E :--          |
| 16S160/1 A :--          | B : 11,46 - 0,85 | C : 13,68 - 1,00 | D : 14,29 - 0,82 | E : 17,06-1,00 |



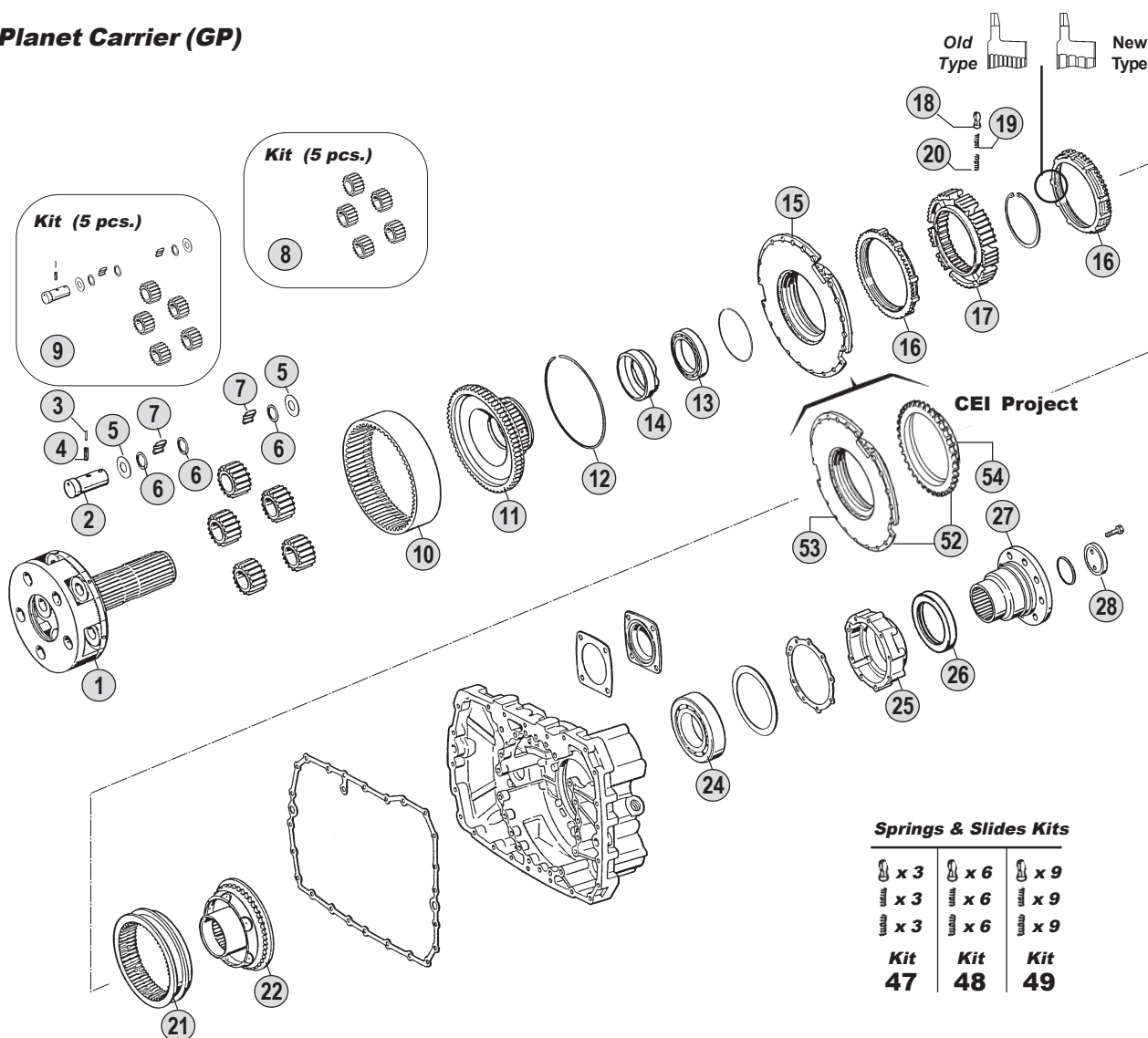
All original equipment manufacturers' numbers, symbols, pictures, models and description used in this catalogue are for reference only, and it is not implied that any part listed is the product of these manufactures. Tutti i nostri particolari non sono originali ma con essi intercambiabili. I riferimenti originali, le figure, i modelli sono esposti a semplice titolo indicativo. La nostra produzione riporta il nostro marchio.



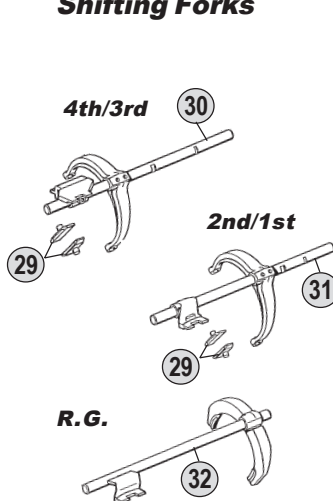
Suitable To : **ZF**

**16S112/1 - 16S130/1 - 16S160/1**

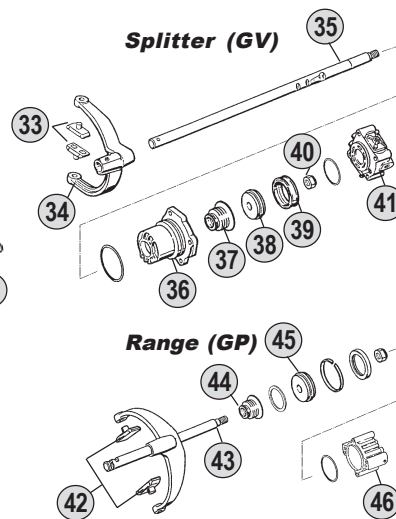
**Planet Carrier (GP)**



**Shifting Forks**



**Splitter (GV)**



**Kits**



**Ratios**

|                         |                  |                  |                  |                |
|-------------------------|------------------|------------------|------------------|----------------|
| 16S112/1 A :--          | B :--            | C : 13,68 - 1,00 | D :--            | E :--          |
| 16S130/1 A : 10,14-0,72 | B : 11,46 - 0,85 | C : 13,68 - 1,00 | D : 14,29 - 0,82 | E :--          |
| 16S160/1 A :--          | B : 11,46 - 0,85 | C : 13,68 - 1,00 | D : 14,29 - 0,82 | E : 17,06-1,00 |

All original equipment manufacturers' numbers, symbols, pictures, models and description used in this catalogue are for reference only, and it is not implied that any part listed is the product of these manufactures. Tutti i nostri particolari non sono originali ma con essi intercambiabili. I riferimenti originali, le figure, i modelli sono esposti a semplice titolo indicativo. La nostra produzione riporta il nostro marchio.

| Fig. | CEI no.        | O.E.M. Reference |         | Description                     | Q.ty | Note | Ratio |                 |                 |                 |  |  |  |
|------|----------------|------------------|---------|---------------------------------|------|------|-------|-----------------|-----------------|-----------------|--|--|--|
|      |                | ZF no.           | DAF no. |                                 |      |      |       | 16S112/1 (1298) | 16S130/1 (1298) | 16S160/1 (1297) |  |  |  |
| 1    | 190.169        | 1295 232 044     | 696095  | Planetary Carrier               | 1    |      |       | ●               |                 |                 |  |  |  |
| 1    | 190.169        | 1295 232 044     | 696095  | Planetary Carrier               | 1    |      | ABC   |                 | ●               |                 |  |  |  |
| 1    | 190.395        | 1297 232 045     | 67062   | Planetary Carrier               | 1    |      | D     |                 | ●               |                 |  |  |  |
| 1    | <b>190.396</b> | 1297 232 039     | 66391   | Planetary Carrier               | 1    |      | BC    |                 |                 | ●               |  |  |  |
| 1    | 190.395        | 1297 232 045     | 67062   | Planetary Carrier               | 1    |      | DE    |                 |                 | ●               |  |  |  |
| 2    | 107.089        | 1269 332 036     | 692256  | Planet Shaft                    | 5    |      |       | ●               |                 |                 |  |  |  |
| 2    | 107.089        | 1269 332 036     | 692256  | Planet Shaft                    | 5    |      | ABC   |                 | ●               |                 |  |  |  |
| 2    | <b>107.163</b> | 1297 332 109     | 691407  | Planet Shaft                    | 5    |      | D     |                 | ●               |                 |  |  |  |
| 2    | <b>107.163</b> | 1297 332 109     | 691407  | Planet Shaft                    | 5    |      |       |                 |                 | ●               |  |  |  |
| 3    | <b>160.191</b> | 0631 329 017     |         | Lock Pin D.3x24                 | 5    |      |       | ●               | ●               | ●               |  |  |  |
| 4    | <b>160.192</b> | 0631 329 050     |         | Lock Pin D.5x24                 | 5    |      |       | ●               | ●               | ●               |  |  |  |
| 5    | 169.408        | 0501 305 887     | 692255  | Thrust Washer D.29x57,50x1,50   | 10   |      |       | ●               |                 |                 |  |  |  |
| 5    | 169.408        | 0501 305 887     | 692255  | Thrust Washer D.29x57,50x1,50   | 10   |      | ABC   |                 | ●               |                 |  |  |  |
| 5    | <b>169.753</b> | 0501 306 212     | 691327  | Thrust Washer D.29x64x1,5       | 10   |      | D     |                 | ●               |                 |  |  |  |
| 5    | <b>169.753</b> | 0501 306 212     | 691327  | Thrust Washer D.29x64x1,5       | 10   |      |       |                 |                 | ●               |  |  |  |
| 6    | <b>169.410</b> | 0730 103 846     | 692246  | Spacer Ring D.29x39x1,00        | 15   |      |       | ●               | ●               | ●               |  |  |  |
| 7    | <b>171.016</b> | 0735 470 057     | 692254  | Roller Set D.6x14,75 (180 pcs)  | 180  |      |       | ●               |                 |                 |  |  |  |
| 7    | <b>171.016</b> | 0735 470 057     | 692254  | Roller Set D.6x14,75 (180 pcs)  | 180  |      | ABC   |                 | ●               |                 |  |  |  |
| 7    | <b>171.045</b> | 0750 119 109     | 691356  | Roller Set D.10x16,80 (120 pcs) | 120  |      | D     |                 | ●               |                 |  |  |  |
| 7    | <b>171.045</b> | 0750 119 109     | 691356  | Roller Set D.10x16,80 (120 pcs) | 120  |      |       |                 |                 | ●               |  |  |  |
| 8    | 198.357        | 1295 232 027     | 692138  | Planetary Gear Set (5 pcs)      | 1    |      |       | ●               |                 |                 |  |  |  |
| 8    | 198.357        | 1295 232 027     | 692138  | Planetary Gear Set (5 pcs)      | 1    |      | ABC   |                 | ●               |                 |  |  |  |
| 8    | <b>198.810</b> | 1297 232 024     | 691380  | Planetary Gear Set (5 pcs)      | 1    |      | D     |                 | ●               |                 |  |  |  |
| 8    | <b>198.803</b> | 1297 232 023     | 66390   | Planetary Gear Set (5 pcs)      | 1    |      | BC    |                 |                 | ●               |  |  |  |
| 8    | <b>198.810</b> | 1297 232 024     | 691380  | Planetary Gear Set (5 pcs)      | 1    |      | DE    |                 |                 | ●               |  |  |  |
| 9    | 198.562        | 1296 298 904     |         | Planetary Gear Set              | 1    |      |       | ●               |                 |                 |  |  |  |
| 9    | 198.562        | 1296 298 904     |         | Planetary Gear Set              | 1    |      | ABC   |                 | ●               |                 |  |  |  |
| 9    | <b>198.704</b> | 1297 298 912     |         | Planetary Gear Set              | 1    |      | BC    |                 |                 | ●               |  |  |  |
| 9    |                | 1297 298 919     |         | Planetary Gear Set              | 1    |      | DE    |                 |                 | ●               |  |  |  |
| 10   | 123.162        | 1295 332 053     | 696457  | Crown Gear 83 T                 | 1    |      |       | ●               |                 |                 |  |  |  |
| 10   | 123.162        | 1295 332 053     | 696457  | Crown Gear 83 T                 | 1    |      | ABC   |                 | ●               |                 |  |  |  |
| 10   | <b>123.208</b> | 1295 332 086     | 69091   | Crown Gear 86 T                 | 1    |      | D     |                 | ●               |                 |  |  |  |
| 10   | <b>123.217</b> | 1297 332 080     | 66393   | Crown Gear 83 T                 | 1    |      | BC    |                 |                 | ●               |  |  |  |
| 10   | <b>123.208</b> | 1295 332 086     | 69091   | Crown Gear 86 T                 | 1    |      | DE    |                 |                 | ●               |  |  |  |
| 11   | 150.112        | 1295 332 021     | 692139  | Flange Gear 83 T                | 1    |      |       | ●               |                 |                 |  |  |  |
| 11   | 150.112        | 1295 332 021     | 692139  | Flange Gear 83 T                | 1    |      | ABC   |                 | ●               |                 |  |  |  |
| 11   | <b>150.137</b> | 1297 332 035     | 691409  | Flange Gear 86 T                | 1    |      | D     |                 | ●               |                 |  |  |  |
| 11   | <b>150.138</b> | 1297 332 017     | 66392   | Flange Gear 83 T                | 1    |      | BC    |                 |                 | ●               |  |  |  |
| 11   | <b>150.137</b> | 1297 332 035     | 691409  | Flange Gear 86 T                | 1    |      | DE    |                 |                 | ●               |  |  |  |
| 12   | 111.129        | 0730 505 055     | 692259  | Locking Wire                    | 1    |      |       | ●               |                 |                 |  |  |  |
| 12   | 111.129        | 0730 505 055     | 692259  | Locking Wire                    | 1    |      | ABC   |                 | ●               |                 |  |  |  |
| 12   | 111.198        | 0730 505 056     | 691340  | Locking Wire                    | 1    |      | D     |                 | ●               |                 |  |  |  |
| 12   | 111.129        | 0730 505 055     | 692259  | Locking Wire                    | 1    |      | BC    |                 |                 | ●               |  |  |  |
| 12   | 111.198        | 0730 505 056     | 691340  | Locking Wire                    | 1    |      | DE    |                 |                 | ●               |  |  |  |
| 13   | 130.244        | 0750 116 166     | 692253  | Bearing D.75x105x16             | 1    |      |       | ●               |                 |                 |  |  |  |

Notes

Date

03 / 2006

Table

020 / B

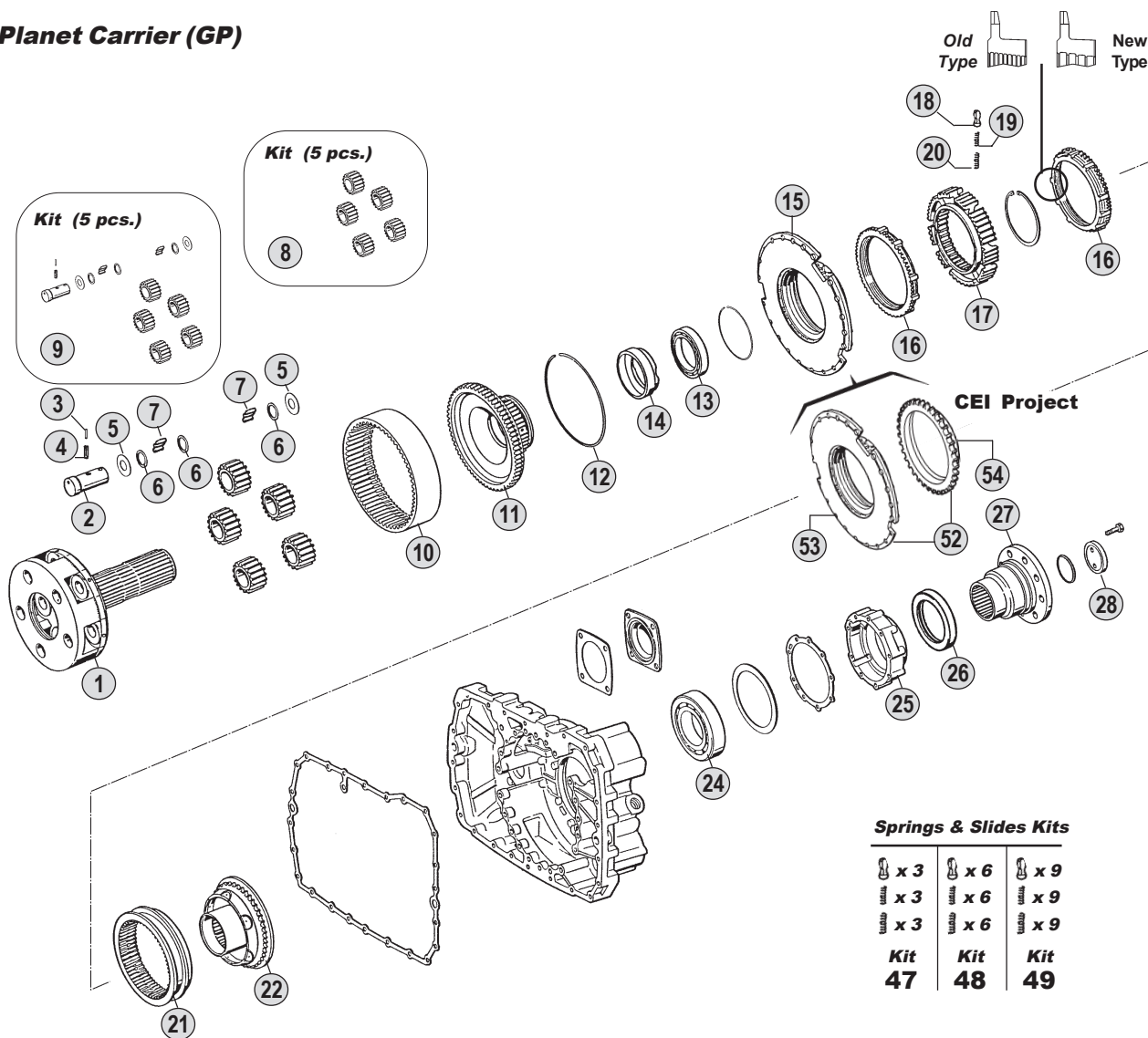
All original equipment manufacturers numbers, symbols, pictures, models and description used in this catalogue are for reference only, and it is not implied that any part listed is the product of these manufactures.  
Tutti i nostri particolari non sono originali ma con essi intercambiabili. I riferimenti originali, le figure, i modelli sono esposti a semplice titolo indicativo. La nostra produzione riporta il nostro marchio.



Suitable To : **ZF**

**16S112/1 - 16S130/1 - 16S160/1**

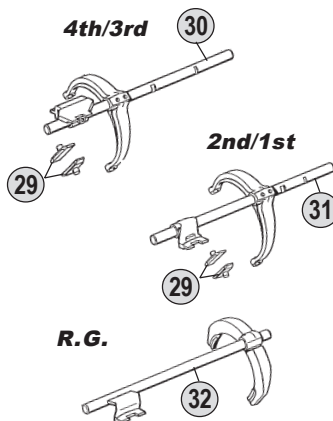
**Planet Carrier (GP)**



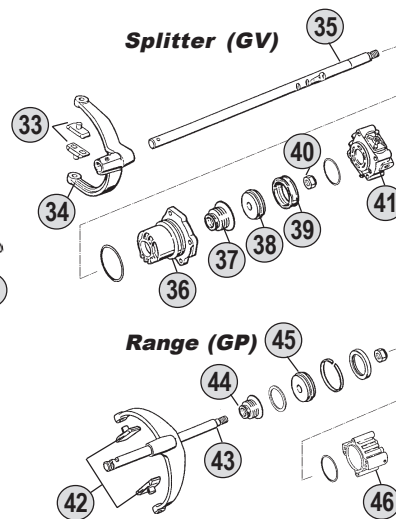
**Springs & Slides Kits**

|               |               |               |
|---------------|---------------|---------------|
| x 3           | x 6           | x 9           |
| x 3           | x 6           | x 9           |
| x 3           | x 6           | x 9           |
| <b>Kit 47</b> | <b>Kit 48</b> | <b>Kit 49</b> |

**Shifting Forks**



**Splitter (GV)**



**Kits**



**Ratios**

|                                |                  |                  |                  |                |
|--------------------------------|------------------|------------------|------------------|----------------|
| <b>16S112/1</b> A :--          | B :--            | C : 13,68 - 1,00 | D :--            | E :--          |
| <b>16S130/1</b> A : 10,14-0,72 | B : 11,46 - 0,85 | C : 13,68 - 1,00 | D : 14,29 - 0,82 | E :--          |
| <b>16S160/1</b> A :--          | B : 11,46 - 0,85 | C : 13,68 - 1,00 | D : 14,29 - 0,82 | E : 17,06-1,00 |



All original equipment manufacturers' numbers, symbols, pictures, models and description used in this catalogue are for reference only, and it is not implied that any part listed is the product of these manufactures. Tutti i nostri particolari non sono originali ma essi intercambiabili. I riferimenti originali, le figure, i modelli sono esposti a semplice titolo indicativo. La nostra produzione riporta il nostro marchio.

16S112/1 (1298)  
16S130/1 (1298)  
16S160/1 (1297)

| Fig. | CEI no. | O.E.M. Reference |         | Description                 | Q.ty | Note        | Ratio |                 |                 |                 |  |  |
|------|---------|------------------|---------|-----------------------------|------|-------------|-------|-----------------|-----------------|-----------------|--|--|
|      |         | ZF no.           | DAF no. |                             |      |             |       | 16S112/1 (1298) | 16S130/1 (1298) | 16S160/1 (1297) |  |  |
| 13   | 130.244 | 0750 116 166     | 692253  | Bearing D.75x105x16         | 1    |             | ABC   | ●               |                 |                 |  |  |
| 13   | 130.310 | 0750 116 165     | 69395   | Bearing D.80x110x16         | 1    |             | D     | ●               |                 |                 |  |  |
| 13   | 130.310 | 0750 116 165     | 69395   | Bearing D.80x110x16         | 1    |             |       |                 | ●               |                 |  |  |
| 14   |         | 1297 332 002     | 1300625 | Ring                        | 1    |             | D     | ●               |                 |                 |  |  |
| 14   |         | 1297 332 002     | 1300625 | Ring                        | 1    |             |       |                 | ●               |                 |  |  |
| 15   | 198.358 | 1296 233 006     | 689812  | Synchronizer Cone           | 1    |             |       | ●               | ●               | ●               |  |  |
| 16   | 119.085 | 1296 333 022     | 1303708 | Synchronizer Ring           | 2    | Old Type    |       | ●               | ●               | ●               |  |  |
| 16   | 119.172 | 1296 333 045     | 1354113 | Synchronizer Ring           | 2    | New Type    |       | ●               | ●               | ●               |  |  |
| 17   | 157.113 | 1296 333 002     | 692167  | Synchronizer Hub            | 1    |             |       | ●               | ●               | ●               |  |  |
| 18   | 160.116 | 1240 304 278     | 326962  | Pressure Piece              | 9    |             |       | ●               | ●               | ●               |  |  |
| 19   | 156.036 | 0732 040 386     | 326964  | Inner Spring De.3x34        | 9    |             |       | ●               | ●               | ●               |  |  |
| 20   | 156.037 | 0732 040 385     | 326963  | Outer Spring De.6x34        | 9    |             |       | ●               | ●               | ●               |  |  |
| 21   | 154.098 | 1296 333 023     | 689814  | Sliding Sleeve              | 1    |             |       | ●               | ●               | ●               |  |  |
| 22   | 198.359 | 1295 233 025     | 696096  | Synchronizer Cone (36 Spl.) | 1    |             |       | ●               |                 |                 |  |  |
| 22   | 198.359 | 1295 233 025     | 696096  | Synchronizer Cone (36 Spl.) | 1    |             | ABC   |                 | ●               |                 |  |  |
| 22   | 198.374 | 1313 233 001     | 691378  | Synchronizer Cone (38 Spl.) | 1    |             | D     |                 | ●               |                 |  |  |
| 22   | 198.374 | 1313 233 001     | 691378  | Synchronizer Cone (38 Spl.) | 1    |             |       |                 |                 | ●               |  |  |
| 24   | 130.245 | 0750 116 002     | 692184  | Bearing D.90x160x30         | 1    |             |       | ●               | ●               | ●               |  |  |
| 25   |         | 1296 301 067     | 513935  | Cover                       | 1    |             |       | ●               | ●               | ●               |  |  |
| 25   | 128.098 | 1315 301 220     | 691805  | Cover                       | 1    |             |       | ●               | ●               | ●               |  |  |
| 26   |         | 0750 111 341     | 1304242 | Oil Seal 105x130x12         | 1    |             |       | ●               | ●               | ●               |  |  |
| 27   | 197.051 | 1295 338 014     | 692165  | Output Flange               | 1    | D.180-10 H. |       | ●               |                 |                 |  |  |
| 27   |         | 1295 338 061     | 698639  | Output Flange               | 1    | D.180-4 H.  | ABC   |                 | ●               |                 |  |  |
| 27   |         | 1297 338 041     | 689335  | Output Flange               | 1    | D.180-4 H.  | D     |                 | ●               |                 |  |  |
| 27   |         | 1297 338 041     | 689335  | Output Flange               | 1    | D.180-4 H.  |       |                 |                 | ●               |  |  |
| 28   | 188.077 | 1295 332 051     | 696097  | Stop Washer                 | 1    |             |       | ●               | ●               | ●               |  |  |
| 29   | 141.163 | 1297 306 120     | 66379   | Slide                       | 2    |             |       | ●               | ●               | ●               |  |  |
| 30   |         | 1296 206 061     | 689923  | Fork                        | 1    |             |       | ●               |                 |                 |  |  |
| 30   |         | 1295 206 212     | 513912  | Fork                        | 1    |             |       |                 | ●               |                 |  |  |
| 30   |         | 1297 206 103     | 66380   | Fork                        | 1    |             |       |                 |                 | ●               |  |  |
| 31   |         | 1296 206 062     | 697691  | Fork                        | 1    |             |       | ●               |                 |                 |  |  |
| 31   |         | 1295 206 217     | 1228199 | Fork                        | 1    |             |       |                 | ●               |                 |  |  |
| 31   |         | 1295 206 215     | 513911  | Fork                        | 1    |             |       |                 | ●               |                 |  |  |
| 31   |         | 1297 206 106     |         | Fork                        | 1    |             |       |                 |                 | ●               |  |  |
| 32   |         | 1296 206 078     | 689924  | Fork                        | 1    |             |       | ●               |                 |                 |  |  |
| 32   |         | 1295 206 249     | 1228200 | Fork                        | 1    |             |       |                 | ●               |                 |  |  |
| 32   |         | 1295 206 254     | 68985   | Fork                        | 1    |             |       |                 | ●               |                 |  |  |
| 32   |         | 1297 206 174     | 69703   | Fork                        | 1    |             |       |                 |                 | ●               |  |  |
| 33   | 141.068 | 1295 306 132     | 696445  | Bronze Slide                | 2    |             |       | ●               | ●               | ●               |  |  |
| 34   |         | 1313 312 002     | 689936  | Fork                        | 1    |             |       | ●               | ●               | ●               |  |  |
| 35   |         | 1296 312 001     | 689935  | Selector Rod                | 1    |             |       | ●               |                 |                 |  |  |
| 35   | 149.172 | 1295 312 018     | 692131  | Selector Rod                | 1    |             |       |                 | ●               |                 |  |  |
| 35   |         | 1297 312 008     | 691405  | Selector Rod                | 1    |             |       |                 |                 | ●               |  |  |
| 36   | 132.046 | 1296 312 042     | 692130  | Cylinder                    | 1    |             |       | ●               | ●               | ●               |  |  |
| 37   | 139.331 | 0750 112 034     | 692237  | Cap Collar D.25x38x14,2     | 1    |             |       | ●               | ●               | ●               |  |  |

Notes

Date

03 / 2006

Table

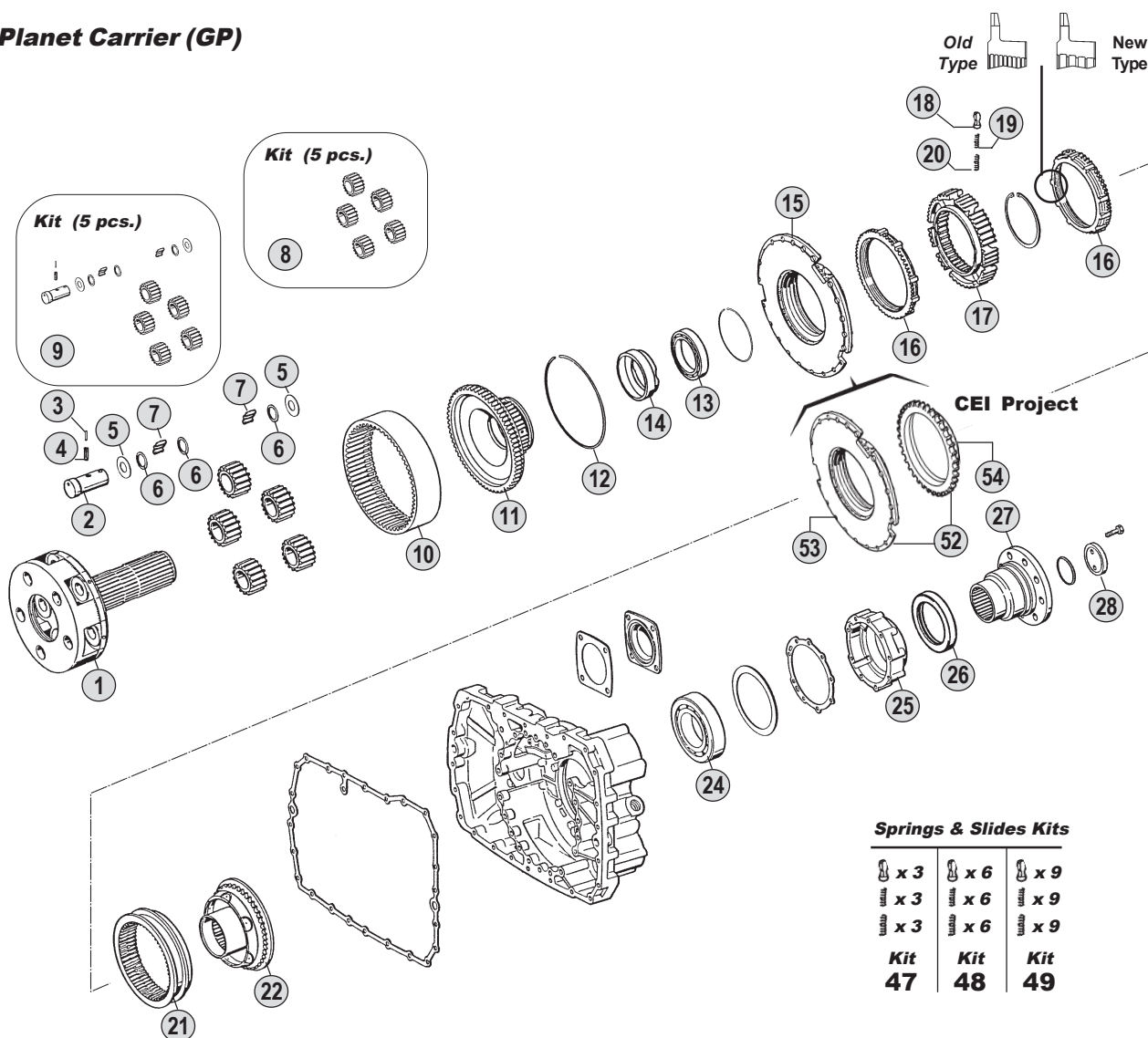
020 / B

All original equipment manufacturers numbers, symbols, pictures, models and description used in this catalogue are for reference only, and it is not implied that any part listed is the product of these manufactures.  
Tutti i nostri particolari non sono originali ma con essi intercambiabili. I riferimenti originali, le figure, i modelli sono esposti a semplice titolo indicativo. La nostra produzione riporta il nostro marchio.

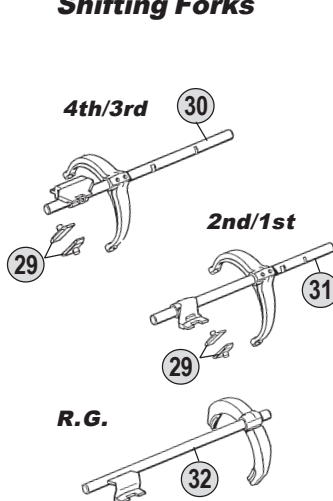
Suitable To : **ZF**

**16S112/1 - 16S130/1 - 16S160/1**

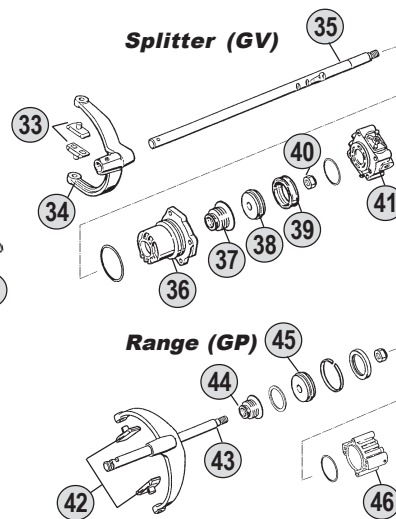
**Planet Carrier (GP)**



**Shifting Forks**



**Splitter (GV)**



**Kits**



**Ratios**

|                                |                  |                  |                  |                |
|--------------------------------|------------------|------------------|------------------|----------------|
| <b>16S112/1</b> A :--          | B :--            | C : 13,68 - 1,00 | D :--            | E :--          |
| <b>16S130/1</b> A : 10,14-0,72 | B : 11,46 - 0,85 | C : 13,68 - 1,00 | D : 14,29 - 0,82 | E :--          |
| <b>16S160/1</b> A :--          | B : 11,46 - 0,85 | C : 13,68 - 1,00 | D : 14,29 - 0,82 | E : 17,06-1,00 |

All original equipment manufacturers' numbers, symbols, pictures, models and description used in this catalogue are for reference only, and it is not implied that any part listed is the product of these manufactures. Tutti i nostri particolari non sono originali ma con essi intercambiabili. I riferimenti originali, le figure, i modelli sono esposti a semplice titolo indicativo. La nostra produzione riporta il nostro marchio.





suitable to :

**Z.F.****EcoSplit II****From 16S150 to 16S220****Application**

|                 | 16S150<br>(1313) | 16S220<br>(1312) |  |  |
|-----------------|------------------|------------------|--|--|
| <b>MERCEDES</b> |                  |                  |  |  |
| <b>MAN</b>      |                  |                  |  |  |
| <b>IVECO</b>    |                  |                  |  |  |
| <b>RVI</b>      |                  |                  |  |  |
| <b>DAF</b>      |                  |                  |  |  |
| <b>VOLVO</b>    |                  |                  |  |  |

**Ratios**

|               | R.10,14-0,72<br><b>A</b> | R.13,80-0,84<br><b>B</b> | R.16,47-1,00<br><b>C</b> |  |  |
|---------------|--------------------------|--------------------------|--------------------------|--|--|
| <b>16S150</b> |                          |                          |                          |  |  |
| <b>16S220</b> |                          |                          |                          |  |  |
|               |                          |                          |                          |  |  |
|               |                          |                          |                          |  |  |

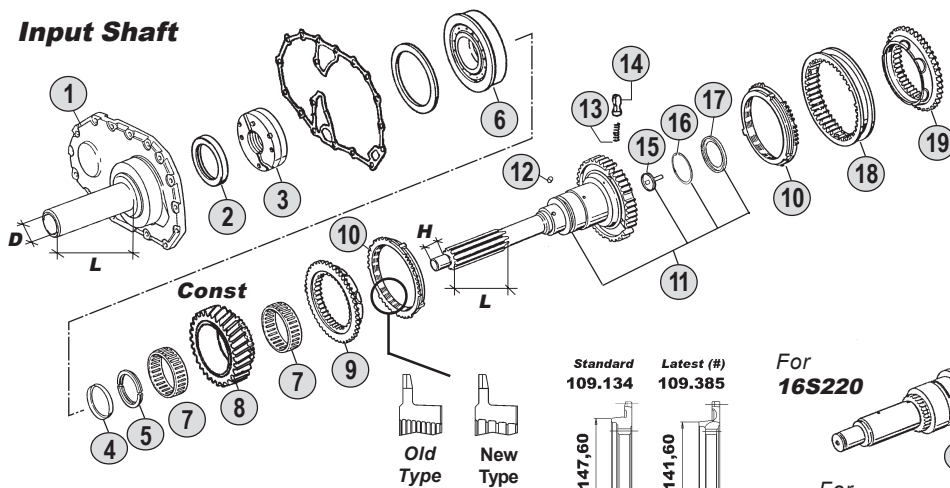
All original equipment manufacturers numbers, symbols, pictures, models and description used in this catalogue are for reference only, and it is not implied that any part listed is the product of these manufactures. Tutti i nostri particolari non sono originali ma con essi intercambiabili. I riferimenti originali, le figure, i modelli sono esposti a semplice titolo indicativo. La nostra produzione riporta il nostro marchio.

**ECO II**From 16S150  
To 16S220

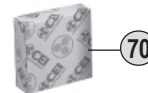
Suitable To : **ZF**

**16S150 - 16S220**

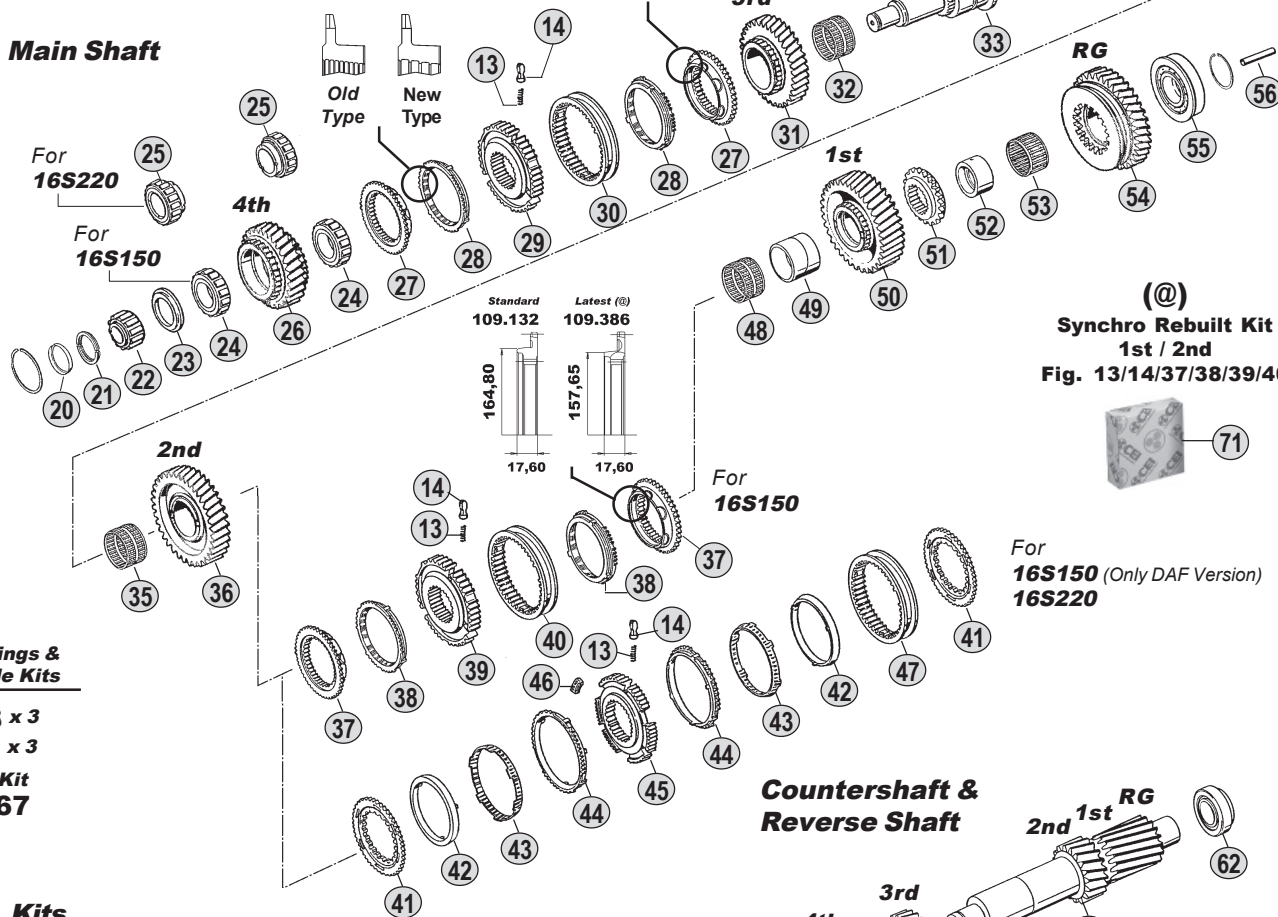
**Input Shaft**



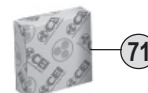
**(#)**  
**Synchro Rebuilt Kit**  
**4th / 3rd**  
**Fig. 13/14/27/28/29/30**



**Main Shaft**



**(@)**  
**Synchro Rebuilt Kit**  
**1st / 2nd**  
**Fig. 13/14/37/38/39/40**



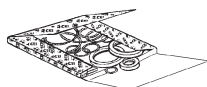
**Springs & Slide Kits**

**x 3**  
**x 3**  
**Kit**  
**67**

**Kits**

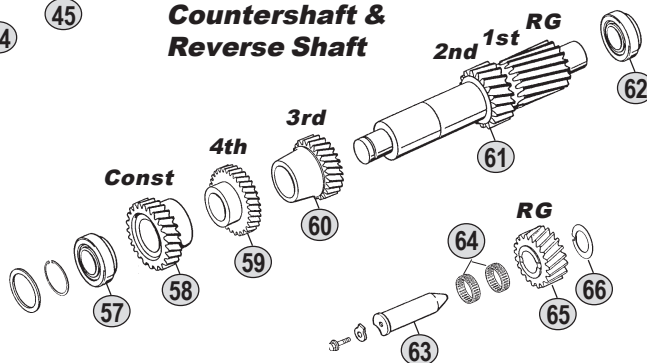


**Gasket Kit**  
**69**



**Oil Seal Kit**  
**68**

**Countershaft & Reverse Shaft**



**Ratios**

|               |              |                 |                 |
|---------------|--------------|-----------------|-----------------|
| <b>16S150</b> | A:--         | B: 13,80 - 0,84 | C: 16,47 - 1,00 |
| <b>16S220</b> | A:10,14-0,72 | B: 13,80 - 0,84 | C: 16,47 - 1,00 |



All original equipment manufacturers' numbers, symbols, models and description used in this catalogue are for reference only, and it is not implied that any part listed is the product of these manufactures. Tutti i nostri particolari non sono originali ma con essi intercambiabili. I riferimenti originali, le figure, i modelli sono esposti a semplice titolo indicativo. La nostra produzione riporta il nostro marchio.

| Fig. | CEI no.        | O.E.M. Reference |         | Description                | Q.ty | Note                | Ratio |               |               |  |  |  |  |  |
|------|----------------|------------------|---------|----------------------------|------|---------------------|-------|---------------|---------------|--|--|--|--|--|
|      |                | ZF no.           | DAF no. |                            |      |                     |       | 16S150 (1313) | 16S220 (1312) |  |  |  |  |  |
| 1    |                | 1312 302 096     | 1294098 | Front Cover                | 1    | L=147-D=60          |       | ●             | ●             |  |  |  |  |  |
| 2    |                | 0734 310 386     | 1360734 | Oil Seal 55x75x8           | 1    |                     |       | ●             | ●             |  |  |  |  |  |
| 2    |                | 0634 310 733     | 691662  | Oil Seal 90x110x13         | 1    | (1)                 |       | ●             | ●             |  |  |  |  |  |
| 3    | <b>280.348</b> | 1295 202 041     | 692203  | Oil Pump                   | 1    |                     |       | ●             | ●             |  |  |  |  |  |
| 4    | 169.754        | 0730 061 816     | 609456  | Securing Ring              | 1    |                     |       | ●             | ●             |  |  |  |  |  |
| 5    |                | 0730 106 168     |         | Split Ring                 | 1    | S.4,30 mm           |       | ●             | ●             |  |  |  |  |  |
| 5    |                | 0730 106 158     |         | Split Ring                 | 1    | S.3,80 mm           |       | ●             | ●             |  |  |  |  |  |
| 6    | <b>130.306</b> | 0750 117 431     | 1212182 | Bearing D.75x150x30,50     | 1    |                     |       | ●             | ●             |  |  |  |  |  |
| 7    | 137.148        | 0750 115 310     | 69560   | Needle Cage D.93x101x25    | 1    |                     |       | ●             | ●             |  |  |  |  |  |
| 7    | <b>137.134</b> | 0735 321 438     | 1330140 | Needle Cage D.93x101x32,50 | 1    |                     |       |               | ●             |  |  |  |  |  |
| 8    | <b>145.557</b> | 1313 302 036     | 69559   | Constant Gear 34 T         | 1    |                     | B     | ●             | ●             |  |  |  |  |  |
| 8    | 145.525        | 1313 302 035     | 1235370 | Constant Gear 30 T         | 1    |                     | C     | ●             | ●             |  |  |  |  |  |
| 8    |                | 1312 302 077     | 1250334 | Constant Gear 28 T         | 1    |                     | A     |               | ●             |  |  |  |  |  |
| 8    | <b>145.491</b> | 1312 302 073     | 1212183 | Constant Gear 34 T         | 1    |                     | B     |               | ●             |  |  |  |  |  |
| 8    | 145.490        | 1312 302 074     | 1212184 | Constant Gear 30 T         | 1    |                     | C     |               | ●             |  |  |  |  |  |
| 9    | <b>109.134</b> | 1312 304 027     | 69584   | Synchronizer Cone          | 1    |                     |       | ●             | ●             |  |  |  |  |  |
| 10   | <b>119.119</b> | 1297 304 402     | 66373   | Synchronizer Ring          | 2    | Old Type            |       | ●             | ●             |  |  |  |  |  |
| 10   | <b>119.167</b> | 1297 304 484     | 1342731 | Synchronizer Ring          | 2    | New Type            |       | ●             | ●             |  |  |  |  |  |
| 11   | <b>102.234</b> | 1313 202 013     | 69554   | Input Shaft                | 1    |                     |       | ●             | ●             |  |  |  |  |  |
| 11   | 102.241        | 1313 202 015     | 1235317 | Input Shaft                | 1    |                     |       | ●             | ●             |  |  |  |  |  |
| 11   |                | 1313 221 004     | 1252269 | Input Shaft                | 1    | NMV130 (Clutch PTO) |       | ●             | ●             |  |  |  |  |  |
| 11   |                | 1312 202 036     | 1250333 | Input Shaft                | 1    |                     |       |               | ●             |  |  |  |  |  |
| 12   |                | 0635 470 012     | 110478  | Pin                        | 1    |                     |       | ●             | ●             |  |  |  |  |  |
| 13   | <b>156.140</b> | 0732 040 409     | 171349  | Spring D.6,50x23,50        | 3    |                     |       | ●             | ●             |  |  |  |  |  |
| 14   | <b>160.189</b> | 1297 304 436     | 68332   | Pressure Piece             | 3    |                     |       | ●             | ●             |  |  |  |  |  |
| 15   |                | 1312 302 095     | 1303880 | Tube                       | 1    |                     |       | ●             | ●             |  |  |  |  |  |
| 16   | <b>189.631</b> | 0630 502 027     |         | Ring                       | 1    |                     |       | ●             | ●             |  |  |  |  |  |
| 17   | <b>189.632</b> | 0501 320 435     | 1609562 | Diaphragm                  | 1    |                     |       | ●             | ●             |  |  |  |  |  |
| 18   | <b>154.135</b> | 1310 304 202     | 1377181 | Sliding Sleeve             | 1    |                     |       | ●             | ●             |  |  |  |  |  |
| 19   | <b>109.133</b> | 1312 304 056     | 69561   | Synchronizer Cone          | 1    |                     |       | ●             | ●             |  |  |  |  |  |
| 20   |                | 0730 062 781     | 69591   | Ring                       | 1    |                     |       | ●             | ●             |  |  |  |  |  |
| 21   |                | 0730 107 023     | 1381161 | Split Ring                 | 1    | S.5,00 mm           |       | ●             | ●             |  |  |  |  |  |
| 21   |                | 0730 107 019     |         | Split Ring                 | 1    | S.4,60 mm           |       | ●             | ●             |  |  |  |  |  |
| 22   | <b>137.150</b> | 0750 117 232     | 69589   | Roller Cage D.42x40,30     | 1    |                     |       | ●             | ●             |  |  |  |  |  |
| 23   |                | 1315 304 051     | 1295204 | Ring                       | 1    | S.8,30 mm           |       | ●             | ●             |  |  |  |  |  |
| 24   | <b>137.156</b> | 0750 118 198     | 69583   | Roller Cage D.67x101x32    | 1    |                     |       | ●             | ●             |  |  |  |  |  |
| 25   |                | 0750 118 258     | 1227024 | Roller Cage D.67x101x38    | 1    |                     |       |               | ●             |  |  |  |  |  |
| 26   | <b>146.476</b> | 1313 304 005     | 69587   | Gear 4th Speed 30 T        | 1    |                     | B     | ●             | ●             |  |  |  |  |  |
| 26   | 146.442        | 1296 304 131     | 1235390 | Gear 4th Speed 34 T        | 1    |                     | C     | ●             | ●             |  |  |  |  |  |
| 26   |                | 1312 304 029     | 1250350 | Gear 4th Speed 30T         | 1    | (2)                 | A     |               | ●             |  |  |  |  |  |
| 26   | <b>146.425</b> | 1312 304 032     | 1227026 | Gear 4th Speed 30 T        | 1    |                     | B     |               | ●             |  |  |  |  |  |
| 26   | 146.317        | 1312 304 031     | 1227025 | Gear 4th Speed 34 T        | 1    |                     | C     |               | ●             |  |  |  |  |  |
| 27   | <b>109.134</b> | 1312 304 027     | 69584   | Synchronizer Cone          | 2    |                     |       | ●             | ●             |  |  |  |  |  |
| 27   | <b>109.385</b> | 1316 304 159     |         | Synchronizer Cone          | 2    |                     | (#)   | ●             | ●             |  |  |  |  |  |
| 28   | <b>119.119</b> | 1297 304 402     | 66373   | Synchronizer Ring          | 2    | Old Type            |       | ●             | ●             |  |  |  |  |  |

## Notes

- (1) Only for input Shaft 1313 221 004  
 (2) 16S220 Special Version - Ratio 10,14-0,72. For this version to use :  
 4th Speed - Synchro Cone 1312 304 027 / 3rd Speed Synchro - Cone 1312 304 080  
 (3) 16S150 Gearboxes fitted on DAF Trucks use alternatively the version with single cone (fig.37 to 40)  
 and the version with double cone (fig.41-47). **DO NOT MIX** the two different version.  
 (#) Latest Synchro generation. **DO NOT MIX** the two different version. To update the previous one use  
 the synchro rebuilt kit fig. 70  
 (@) Latest Synchro generation. **DO NOT MIX** the two different version. To update the previous one use  
 the synchro rebuilt kit fig. 71

## Date

03 / 2006

## Table

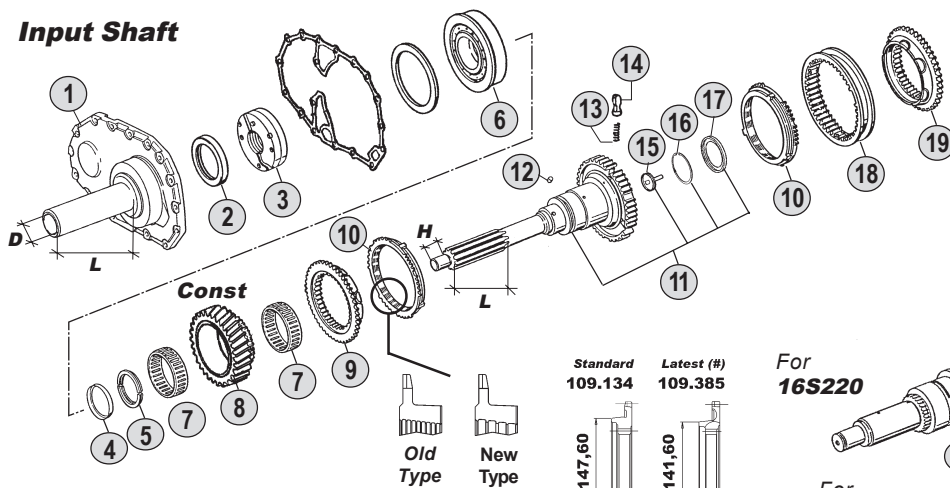
021 / A



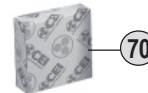
Suitable To : **ZF**

**16S150 - 16S220**

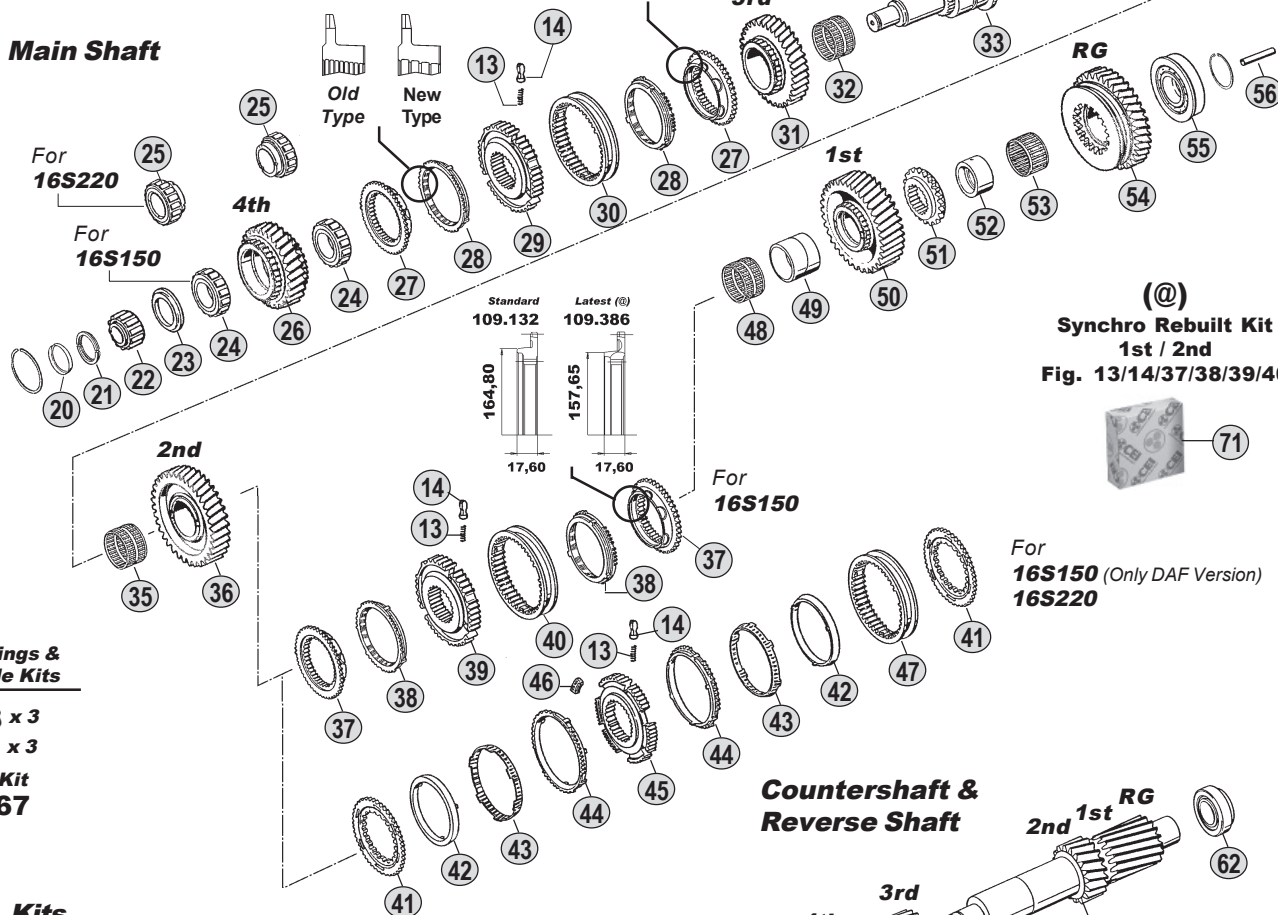
**Input Shaft**



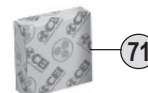
**(#)**  
Synchro Rebuilt Kit  
4th / 3rd  
Fig. 13/14/27/28/29/30



**Main Shaft**



**(@)**  
Synchro Rebuilt Kit  
1st / 2nd  
Fig. 13/14/37/38/39/40



For  
**16S150 (Only DAF Version)**  
**16S220**

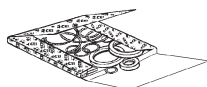
**Springs & Slide Kits**

x 3  
 x 3  
**Kit 67**

**Kits**

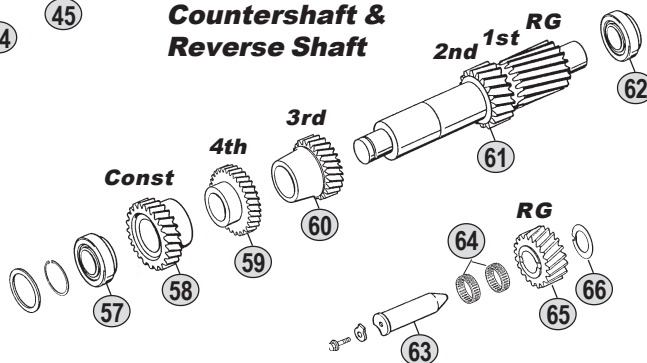


**Gasket Kit 69**



**Oil Seal Kit 68**

**Countershaft & Reverse Shaft**



**Ratios**

|               |              |                 |                 |
|---------------|--------------|-----------------|-----------------|
| <b>16S150</b> | A:--         | B: 13,80 - 0,84 | C: 16,47 - 1,00 |
| <b>16S220</b> | A:10,14-0,72 | B: 13,80 - 0,84 | C: 16,47 - 1,00 |

All original equipment manufacturers' numbers, symbols, pictures, models and description used in this catalogue are for reference only, and it is not implied that any part listed is the product of these manufactures. Tutti i nostri particolari non sono originali ma con essi intercambiabili. I riferimenti originali, le figure, i modelli sono esposti a semplice titolo indicativo. La nostra produzione riporta il nostro marchio.

| Fig. | CEI no. | O.E.M. Reference |         | Description             | Q.ty | Note     | Ratio |               |               |  |  |  |
|------|---------|------------------|---------|-------------------------|------|----------|-------|---------------|---------------|--|--|--|
|      |         | ZF no.           | DAF no. |                         |      |          |       | 16S150 (1313) | 16S220 (1312) |  |  |  |
| 28   | 119.167 | 1297 304 484     | 1342731 | Synchronizer Ring       | 2    | New Type | ●     | ●             |               |  |  |  |
| 28   | 119.217 | 1316 304 149     |         | Synchronizer Ring       | 2    | (#)      | ●     | ●             |               |  |  |  |
| 29   | 157.180 | 1312 304 052     | 69585   | Synchronizer Hub        | 1    |          | ●     | ●             |               |  |  |  |
| 29   | 157.227 | 1316 304 162     |         | Synchronizer Hub        | 1    | (#)      | ●     | ●             |               |  |  |  |
| 30   | 154.135 | 1310 304 202     | 1377181 | Sliding Sleeve          | 1    |          | ●     | ●             |               |  |  |  |
| 30   | 154.357 | 1315 304 135     |         | Sliding Sleeve          | 1    | (#)      | ●     | ●             |               |  |  |  |
| 31   | 145.496 | 1313 304 080     | 69581   | Gear 3rd Speed 32 T     | 1    | B        | ●     |               |               |  |  |  |
| 31   | 145.526 | 1313 304 081     | 1235378 | Gear 3rd Speed 34 T     | 1    | C        | ●     |               |               |  |  |  |
| 31   |         | 1312 304 075     | 1250352 | Gear 3rd Speed 25 T     | 1    | (2) A    |       | ●             |               |  |  |  |
| 31   | 145.498 | 1312 304 137     | 1227022 | Gear 3rd Speed 32 T     | 1    | B        |       | ●             |               |  |  |  |
| 31   | 145.497 | 1312 304 136     | 1227021 | Gear 3rd Speed 34 T     | 1    | C        |       | ●             |               |  |  |  |
| 32   | 137.137 | 0735 321 087     | 69568   | Needle Cage D.92x100x53 | 1    |          | ●     |               |               |  |  |  |
| 32   | 137.112 | 0735 320 451     | 691351  | Needle Cage D.82x90x60  | 1    | A        |       | ●             |               |  |  |  |
| 32   | 137.138 | 0750 115 303     | 1227002 | Needle Cage D.92x100x63 | 1    | BC       |       | ●             |               |  |  |  |
| 33   | 103.135 | 1315 304 130     | 1394573 | Main Shaft              | 1    |          | ●     |               |               |  |  |  |
| 34   |         | 1312 304 161     | 1250339 | Main Shaft              | 1    | A        |       | ●             |               |  |  |  |
| 34   | 103.128 | 1316 304 130     | 1394744 | Main Shaft              | 1    | BC       |       | ●             |               |  |  |  |
| 35   | 137.137 | 0735 321 087     | 69568   | Needle Cage D.92x100x53 | 1    |          | ●     |               |               |  |  |  |
| 35   | 137.138 | 0750 115 303     | 1227002 | Needle Cage D.92x100x63 | 1    |          |       | ●             |               |  |  |  |
| 36   | 145.502 | 1313 304 078     | 69569   | Gear 2nd Speed 37 T     | 1    | B        | ●     |               |               |  |  |  |
| 36   | 145.527 | 1313 304 077     | 1235375 | Gear 2nd Speed 38 T     | 1    | C        | ●     |               |               |  |  |  |
| 36   |         | 1312 304 142     |         | Gear 2nd Speed          | 1    | A        |       | ●             |               |  |  |  |
| 36   | 145.504 | 1312 304 141     | 1227004 | Gear 2nd Speed 37 T     | 1    | B        |       | ●             |               |  |  |  |
| 36   | 145.503 | 1312 304 139     | 1227003 | Gear 2nd Speed 38 T     | 1    | C        |       | ●             |               |  |  |  |
| 37   | 109.132 | 1313 304 009     | 69572   | Synchronizer Cone       | 2    |          | ●     |               |               |  |  |  |
| 37   | 109.386 | 1316 304 156     |         | Synchronizer Cone       | 2    | (@)      | ●     |               |               |  |  |  |
| 38   | 119.122 | 1297 304 401     | 66365   | Synchronizer Ring       | 2    | Old Type | ●     |               |               |  |  |  |
| 38   | 119.166 | 1297 304 485     | 1360740 | Synchronizer Ring       | 2    | New Type | ●     |               |               |  |  |  |
| 38   | 119.218 | 1316 304 150     |         | Synchronizer Ring       | 2    | (@)      | ●     |               |               |  |  |  |
| 39   | 157.189 | 1313 304 008     | 69570   | Synchronizer Hub        | 1    |          | ●     |               |               |  |  |  |
| 39   | 157.228 | 1316 304 163     |         | Synchronizer Hub        | 1    | (@)      | ●     |               |               |  |  |  |
| 40   | 154.202 | 1316 304 078     | 1360725 | Sliding Sleeve          | 1    |          | ●     |               |               |  |  |  |
| 40   | 154.358 | 1315 304 136     |         | Sliding Sleeve          | 1    | (@)      | ●     |               |               |  |  |  |
| 41   | 109.176 | 1312 304 106     | 1227005 | Synchronizer Cone       | 2    | (3)      | ●     |               |               |  |  |  |
| 41   |         | 1312 304 092     | 1250341 | Synchronizer Cone       | 2    | A        |       | ●             |               |  |  |  |
| 41   | 109.176 | 1312 304 106     | 1227005 | Synchronizer Cone       | 2    | BC       |       | ●             |               |  |  |  |
| 42   | 119.152 | 1268 304 424     | 1227006 | Intermediate Ring       | 2    | (3)      | ●     | ●             |               |  |  |  |
| 43   | 119.153 | 1268 304 494     | 1377179 | Intermediate Cone       | 2    | (3)      | ●     | ●             |               |  |  |  |
| 44   | 119.144 | 1268 304 525     | 1227008 | Synchronizer Ring       | 2    | (3)      | ●     | ●             |               |  |  |  |
| 45   | 157.181 | 1312 304 158     | 1250147 | Synchronizer Hub        | 1    | (3)      | ●     | ●             |               |  |  |  |
| 46   | 156.176 | 1312 304 159     | 1300312 | Pad                     | 3    | (3)      | ●     | ●             |               |  |  |  |
| 47   | 154.190 | 1310 304 175     | 1353770 | Sliding Sleeve          | 1    | (3)      | ●     | ●             |               |  |  |  |
| 48   | 137.160 | 0750 115 325     | 69574   | Needle Cage D.96x104x55 | 1    |          | ●     |               |               |  |  |  |
| 48   |         | 0750 115 304     | 1250343 | Needle Cage D.92x100x72 | 1    | A        |       | ●             |               |  |  |  |
| 48   | 137.151 | 0750 115 327     | 1227012 | Needle Cage D.96x104x72 | 1    | BC       |       | ●             |               |  |  |  |

## Notes

- (1) Only for input Shaft 1313221004  
(2) 16S220 Special Version - Ratio 10,14-0,72. For this version to use :  
4th Speed - Synchro Cone 1312304027 / 3rd Speed Synchro - Cone 1312304080  
(3) 16S150 Gearboxes fitted on DAF Trucks use alternatively the version with single cone (fig.37 to 40)  
and the version with double cone (fig.41-47). **DO NOT MIX** the two different version.  
(#) Latest Synchro generation. **DO NOT MIX** the two different version. To update the previous one use  
the synchro rebuilt kit fig. 70  
(@) Latest Synchro generation. **DO NOT MIX** the two different version. To update the previous one use  
the synchro rebuilt kit fig. 71

## Date

03 / 2006

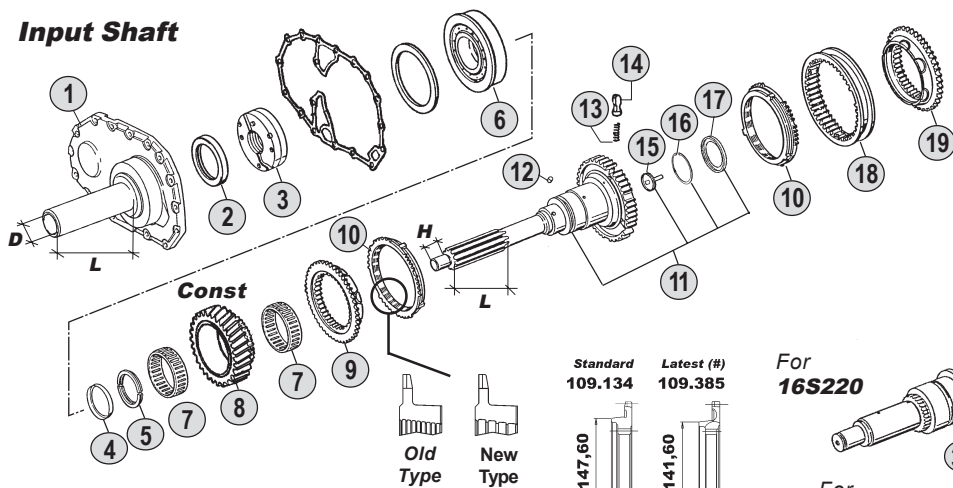
## Table

021 / A

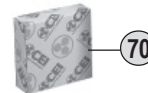
Suitable To : **ZF**

**16S150 - 16S220**

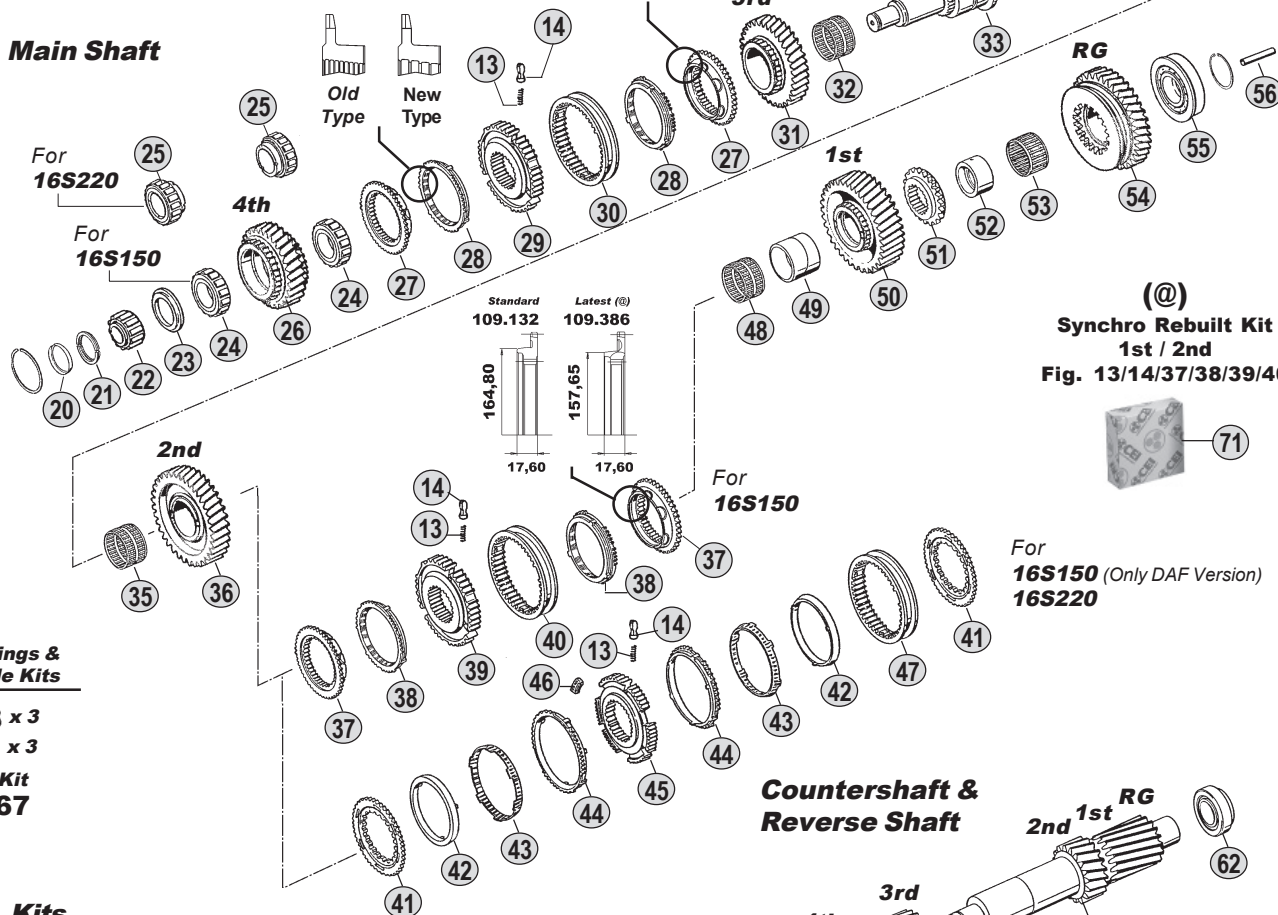
**Input Shaft**



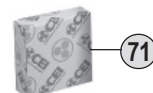
**(#)**  
**Synchro Rebuilt Kit**  
 4th / 3rd  
 Fig. 13/14/27/28/29/30



**Main Shaft**



**(@)**  
**Synchro Rebuilt Kit**  
 1st / 2nd  
 Fig. 13/14/37/38/39/40



For  
**16S150 (Only DAF Version)**  
**16S220**

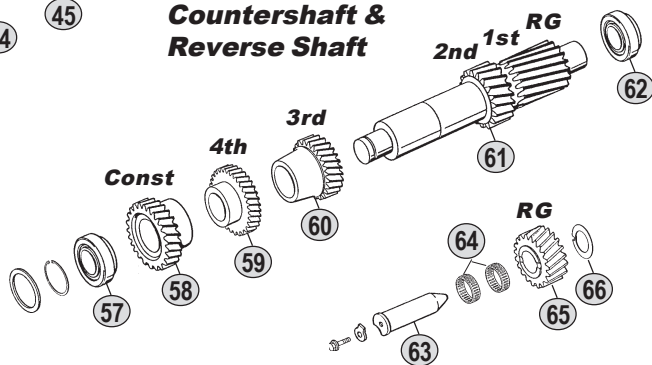
**Springs & Slide Kits**

**x 3**  
**x 3**  
**Kit**  
**67**

**Kits**



**Countershaft & Reverse Shaft**



**Ratios**

|               |              |                 |                 |
|---------------|--------------|-----------------|-----------------|
| <b>16S150</b> | A:--         | B: 13,80 - 0,84 | C: 16,47 - 1,00 |
| <b>16S220</b> | A:10,14-0,72 | B: 13,80 - 0,84 | C: 16,47 - 1,00 |

All original equipment manufacturers' numbers, symbols, pictures, models and description used in this catalogue are for reference only, and it is not implied that any part listed is the product of these manufactures. Tutti i nostri particolari non sono originali ma con essi intercambiabili. I riferimenti originali, le figure, i modelli sono esposti a semplice titolo indicativo. La nostra produzione riporta il nostro marchio.

| Fig. | CEI no. | O.E.M. Reference |         | Description               | Q.ty | Note | Ratio |               |               |   |  |  |  |  |
|------|---------|------------------|---------|---------------------------|------|------|-------|---------------|---------------|---|--|--|--|--|
|      |         | ZF no.           | DAF no. |                           |      |      |       | 16S150 (1313) | 16S220 (1312) |   |  |  |  |  |
| 49   | 117.294 | 1313 304 038     | 69573   | Bush                      | 1    |      |       | ●             |               |   |  |  |  |  |
| 49   |         | 1312 304 008     | 1250342 | Bush                      | 1    |      | A     |               | ●             |   |  |  |  |  |
| 49   | 117.310 | 1312 304 084     | 1227011 | Bush D.85x96x72           | 1    |      | BC    |               | ●             |   |  |  |  |  |
| 50   | 145.508 | 1313 304 039     | 69575   | Gear 1st Speed 44 T       | 1    |      | B     |               | ●             |   |  |  |  |  |
| 50   | 145.528 | 1313 304 070     | 1235376 | Gear 1st Speed            | 1    |      | C     |               | ●             |   |  |  |  |  |
| 50   |         | 1312 304 077     | 1250340 | Gear 1st Speed 34 T       | 1    |      | A     |               |               | ● |  |  |  |  |
| 50   | 145.509 | 1312 304 086     | 1227014 | Gear 1st Speed 44 T       | 1    |      | B     |               |               | ● |  |  |  |  |
| 50   | 145.510 | 1312 304 085     | 1227013 | Gear 1st Speed 47 T       | 1    |      | C     |               |               | ● |  |  |  |  |
| 51   | 109.177 | 1313 304 037     | 69576   | Engaging Ring             | 1    |      |       |               | ●             |   |  |  |  |  |
| 51   |         | 1312 304 037     | 1250345 | Engaging Ring             | 1    |      | A     |               |               | ● |  |  |  |  |
| 51   | 109.181 | 1312 304 083     | 1227015 | Engaging Ring             | 1    |      | BC    |               |               | ● |  |  |  |  |
| 52   | 117.293 | 1315 304 132     | 1381158 | Bush                      | 1    |      |       |               | ●             |   |  |  |  |  |
| 52   |         | 1312 304 011     | 1250346 | Bush                      | 1    |      | A     |               |               | ● |  |  |  |  |
| 52   | 117.311 | 1316 304 133     | 1386223 | Bush D.80x90x50           | 1    |      | BC    |               |               | ● |  |  |  |  |
| 53   | 137.162 | 0750 115 324     | 69578   | Roller Cage D.90x98x41    | 1    |      |       |               | ●             |   |  |  |  |  |
| 53   |         | 0735 321 103     | 1250347 | Roller Cage D.77x85x50    | 1    |      | A     |               |               | ● |  |  |  |  |
| 53   | 137.140 | 0750 115 326     | 1227017 | Roller Cage D.90x98x50    | 1    |      | BC    |               |               | ● |  |  |  |  |
| 54   | 147.137 | 1313 304 042     | 69580   | Reverse Gear 39 T         | 1    |      | B     |               | ●             |   |  |  |  |  |
| 54   | 147.147 | 1313 304 041     | 1235377 | Reverse Gear 38 T         | 1    |      | C     |               | ●             |   |  |  |  |  |
| 54   |         | 1312 304 078     | 1250349 | Reverse Gear 39 T         | 1    |      | A     |               |               | ● |  |  |  |  |
| 54   | 147.141 | 1312 304 088     | 1227020 | Reverse Gear 39 T         | 1    |      | B     |               |               | ● |  |  |  |  |
| 54   | 147.139 | 1312 304 087     | 1227019 | Reverse Gear 38 T         | 1    |      | C     |               |               | ● |  |  |  |  |
| 55   | 130.309 | 0750 117 677     | 1333686 | Bearing D.80x130x36       | 1    |      |       |               | ●             |   |  |  |  |  |
| 55   |         | 0750 117 233     | 1250348 | Bearing D.65x140x36,5     | 1    |      | A     |               |               | ● |  |  |  |  |
| 55   | 130.304 | 0750 117 678     | 1330399 | Bearing D.80x140x36,50    | 1    |      | BC    |               |               | ● |  |  |  |  |
| 56   | 188.209 | 1312 304 150     | 1246838 | Oil Tube                  | 1    |      |       |               | ●             | ● |  |  |  |  |
| 57   | 130.242 | 0750 117 010     | 692181  | Bearing D.50,80x100x35    | 1    |      |       |               | ●             |   |  |  |  |  |
| 57   | 130.308 | 0750 117 009     | 691357  | Bearing D.49,2x103,1x43,6 | 1    |      |       |               |               | ● |  |  |  |  |
| 58   | 146.475 | 1313 303 004     | 69565   | Constant Gear 37 T        | 1    |      | B     |               | ●             |   |  |  |  |  |
| 58   | 146.443 | 1296 303 037     | 1235373 | Constant Gear 39 T        | 1    |      | C     |               | ●             |   |  |  |  |  |
| 58   |         | 1312 303 003     | 1250337 | Constant Gear 34 T        | 1    |      | A     |               |               | ● |  |  |  |  |
| 58   | 146.411 | 1312 303 006     | 1212199 | Constant Gear 37 T        | 1    |      | B     |               |               | ● |  |  |  |  |
| 58   | 146.412 | 1312 303 005     | 1212198 | Constant Gear 39 T        | 1    |      | C     |               |               | ● |  |  |  |  |
| 59   | 146.414 | 1313 303 003     | 69566   | Gear 4th Speed 39 T       | 1    |      | B     |               | ●             |   |  |  |  |  |
| 59   | 146.444 | 1296 303 036     | 1235374 | Gear 4th Speed 37 T       | 1    |      | C     |               | ●             |   |  |  |  |  |
| 59   |         | 1312 303 014     | 1250338 | Gear 4th Speed 31 T       | 1    |      | A     |               |               | ● |  |  |  |  |
| 59   | 146.417 | 1312 303 017     | 1227000 | Gear 4th Speed 39 T       | 1    |      | B     |               |               | ● |  |  |  |  |
| 59   | 146.418 | 1312 303 016     | 1212200 | Gear 4th Speed 37 T       | 1    |      | C     |               |               | ● |  |  |  |  |
| 60   | 146.420 | 1313 303 002     | 69564   | Gear 3rd Speed 28 T       | 1    |      | B     |               | ●             |   |  |  |  |  |
| 60   | 146.445 | 1296 303 035     | 1235372 | Gear 3rd Speed 26 T       | 1    |      | C     |               | ●             |   |  |  |  |  |
| 60   |         | 1312 303 036     |         | Gear 3rd Speed 36 T       | 1    |      | A     |               |               | ● |  |  |  |  |
| 60   | 146.423 | 1312 303 020     | 1212196 | Gear 3rd Speed 28 T       | 1    |      | B     |               |               | ● |  |  |  |  |
| 60   | 146.424 | 1312 303 021     | 1212197 | Gear 3rd Speed 26 T       | 1    |      | C     |               |               | ● |  |  |  |  |
| 61   | 105.106 | 1313 303 010     | 69563   | Countershaft 19-23 T      | 1    |      | B     |               | ●             |   |  |  |  |  |
| 61   | 105.113 | 1313 303 011     | 1235371 | Countershaft 17-20 T      | 1    |      | C     |               | ●             |   |  |  |  |  |

## Notes

- (1) Only for input Shaft 1313221004  
(2) 16S220 Special Version - Ratio 10,14-0,72. For this version to use :  
4th Speed - Synchro Cone 1312304027 / 3rd Speed Synchro - Cone 1312304080  
(3) 16S150 Gearboxes fitted on DAF Trucks use alternatively the version with single cone (fig.37 to 40)  
and the version with double cone (fig.41-47). **DO NO MIX** the two different version.  
(#) Latest Synchro generation. **DO NO MIX** the two different version. To update the previous one use  
the **synchro rebuilt kit fig. 70**  
(®) Latest Synchro generation. **DO NO MIX** the two different version. To update the previous one use  
the **synchro rebuilt kit fig. 71**

## Date

03 / 2006

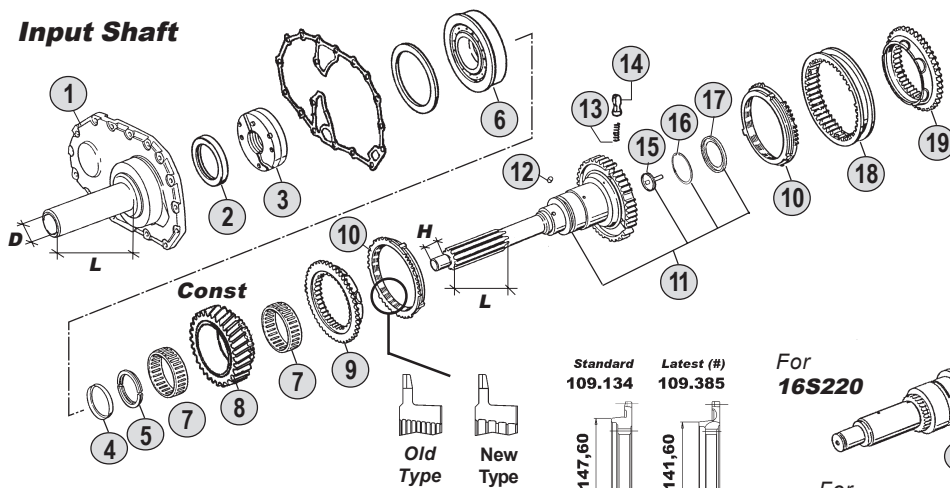
## Table

021 / A

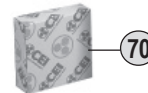
Suitable To : **ZF**

**16S150 - 16S220**

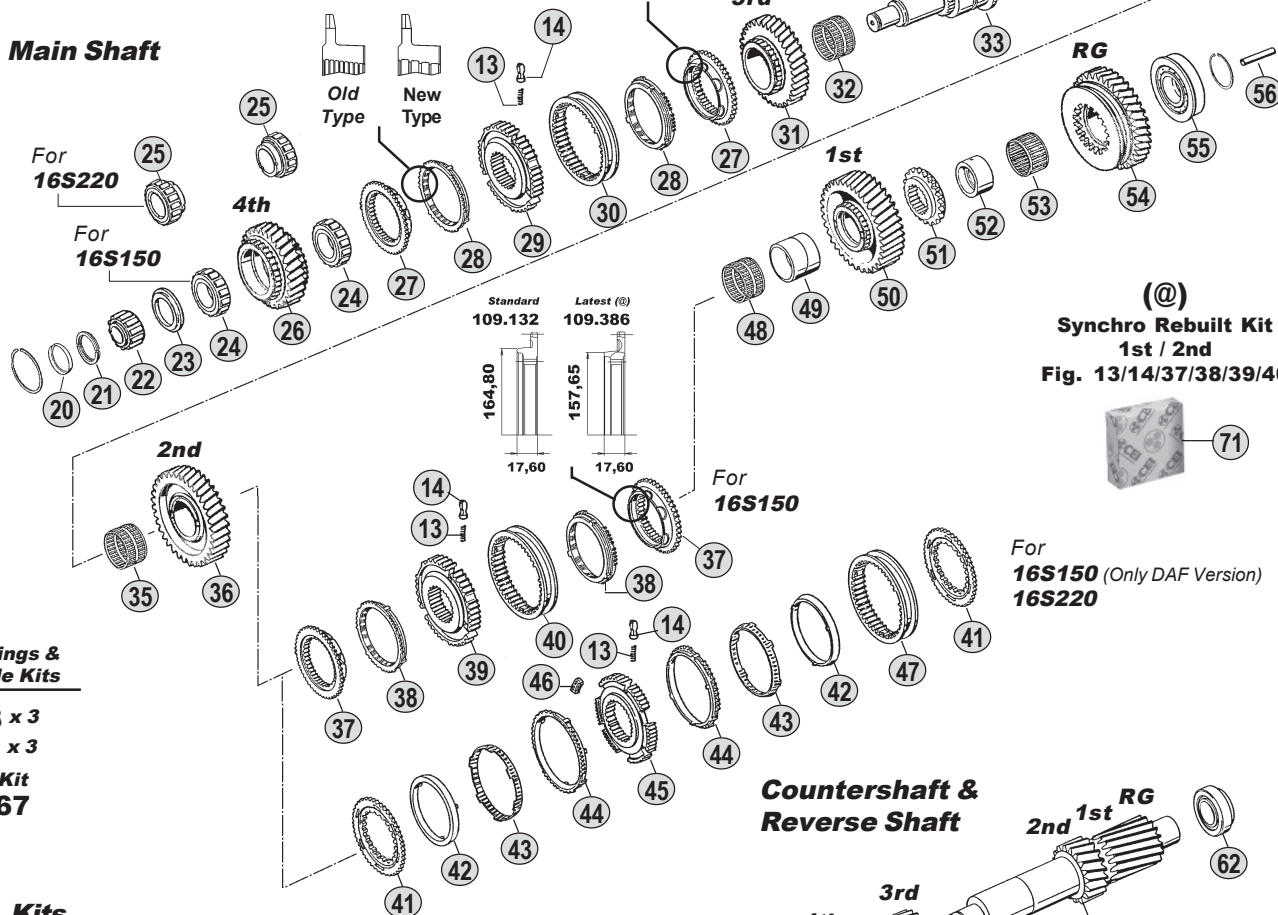
**Input Shaft**



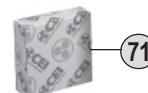
(#)  
**Synchro Rebuilt Kit**  
4th / 3rd  
Fig. 13/14/27/28/29/30



**Main Shaft**



(@)  
**Synchro Rebuilt Kit**  
1st / 2nd  
Fig. 13/14/37/38/39/40



For  
**16S150 (Only DAF Version)**  
**16S220**

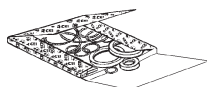
**Springs & Slide Kits**

x 3  
 x 3  
**Kit 67**

**Kits**

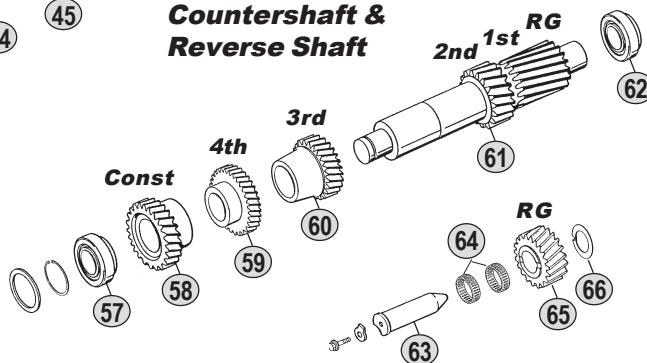


**Gasket Kit 69**



**Oil Seal Kit 68**

**Countershaft & Reverse Shaft**



**Ratios**

|               |              |                 |                 |
|---------------|--------------|-----------------|-----------------|
| <b>16S150</b> | A:--         | B: 13,80 - 0,84 | C: 16,47 - 1,00 |
| <b>16S220</b> | A:10,14-0,72 | B: 13,80 - 0,84 | C: 16,47 - 1,00 |



All original equipment manufacturers' numbers, symbols, pictures, models and description used in this catalogue are for reference only, and it is not implied that any part listed is the product of these manufactures. Tutti i nostri particolari non sono originali ma con essi intercambiabili. I riferimenti originali, le figure, i modelli sono esposti a semplice titolo indicativo. La nostra produzione riporta il nostro marchio.

16S150 (1313)  
16S220 (1312)

| Fig. | CEI no. | O.E.M. Reference |         | Description               | Q.ty | Note | Ratio |               |               |  |  |  |
|------|---------|------------------|---------|---------------------------|------|------|-------|---------------|---------------|--|--|--|
|      |         | ZF no.           | DAF no. |                           |      |      |       | 16S150 (1313) | 16S220 (1312) |  |  |  |
| 61   |         | 1312 303 037     | 1250335 | Countershaft 20-24 T      | 1    |      | A     | ●             |               |  |  |  |
| 61   | 105.107 | 1312 303 009     | 1212188 | Countershaft 19-23 T      | 1    |      | B     | ●             |               |  |  |  |
| 61   | 105.108 | 1312 303 008     | 1212187 | Countershaft 17-20 T      | 1    |      | C     | ●             |               |  |  |  |
| 62   | 130.307 | 0750 117 011     | 689905  | Bearing D.50,8x104,7x39,6 | 1    |      |       | ●             |               |  |  |  |
| 62   | 130.308 | 0750 117 009     | 691357  | Bearing D.49,2x103,1x43,6 | 1    |      |       | ●             |               |  |  |  |
| 63   | 107.108 | 1295 305 056     | 692068  | Reverse Gear Pin          | 1    |      |       | ●             | ●             |  |  |  |
| 64   | 137.007 | 0750 115 011     | 584385  | Needle Cage D.45x53x21    | 2    |      |       | ●             |               |  |  |  |
| 64   | 137.154 | 0750 115 255     | 1212180 | Needle Cage D.45x53x25    | 2    |      |       |               | ●             |  |  |  |
| 65   | 147.132 | 1313 305 002     | 69553   | Reverse Gear 21 T         | 1    |      | B     | ●             |               |  |  |  |
| 65   | 147.148 | 1313 305 001     | 1235369 | Reverse Gear 24 T         | 1    |      | C     | ●             |               |  |  |  |
| 65   |         | 1312 305 003     | 1250332 | Reverse Gear 21 T         | 1    |      | A     |               | ●             |  |  |  |
| 65   | 147.135 | 1297 305 012     | 1212179 | Reverse Gear 21 T         | 1    |      | B     |               | ●             |  |  |  |
| 65   | 147.134 | 1297 305 011     | 1212178 | Reverse Gear 24 T         | 1    |      | C     |               | ●             |  |  |  |
| 66   | 169.234 | 0730 150 064     | 584383  | Thrust Washer             | 1    |      |       | ●             | ●             |  |  |  |
| 67   | 198.843 | CEI 198843       |         | Spring Slide Set          | 1    |      |       | ●             | ●             |  |  |  |
| 68   |         | 1312 298 902     | 1350896 | Oil Seal Kit              | 1    |      |       | ●             | ●             |  |  |  |
| 69   | 198.427 | 1295 298 915     | 1303044 | Gasket Kit                | 1    |      |       | ●             | ●             |  |  |  |
| 70   | 298.021 | 1315 298 061     |         | Synchro kit 4th/3rd Speed | 1    |      | (#)   | ●             | ●             |  |  |  |
| 71   | 298.020 | 1315 298 060     |         | Synchro kit 1st/2nd Speed | 1    |      | (@)   | ●             |               |  |  |  |

All original equipment manufacturers numbers, symbols, pictures, models and description used in this catalogue are for reference only, and it is not implied that any part listed is the product of these manufactures.  
Tutti i nostri particolari non sono originali ma con essi intercambiabili. I riferimenti originali, le figure, i modelli sono esposti a semplice titolo indicativo. La nostra produzione riporta il nostro marchio.

## Notes

- (1) Only for input Shaft 1313221004  
(2) 16S220 Special Version - Ratio 10,14-0,72. For this version to use :  
4th Speed - Synchro Cone 1312304027 / 3rd Speed Synchro - Cone 1312304080  
(3) 16S150 Gearboxes fitted on DAF Trucks use alternatively the version with single cone (fig.37 to 40)  
and the version with double cone (fig.41-47). **DO NO MIX** the two different version.  
(#) Latest Synchro generation. **DO NO MIX** the two different version. To update the previous one use  
the synchro rebuilt kit fig. 70  
(@) Latest Synchro generation. **DO NO MIX** the two different version. To update the previous one use  
the synchro rebuilt kit fig. 71

Date

03 / 2006

Table

021 / A

ECO II

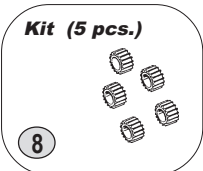
From 16S150  
To 16S220

Suitable To : **ZF**

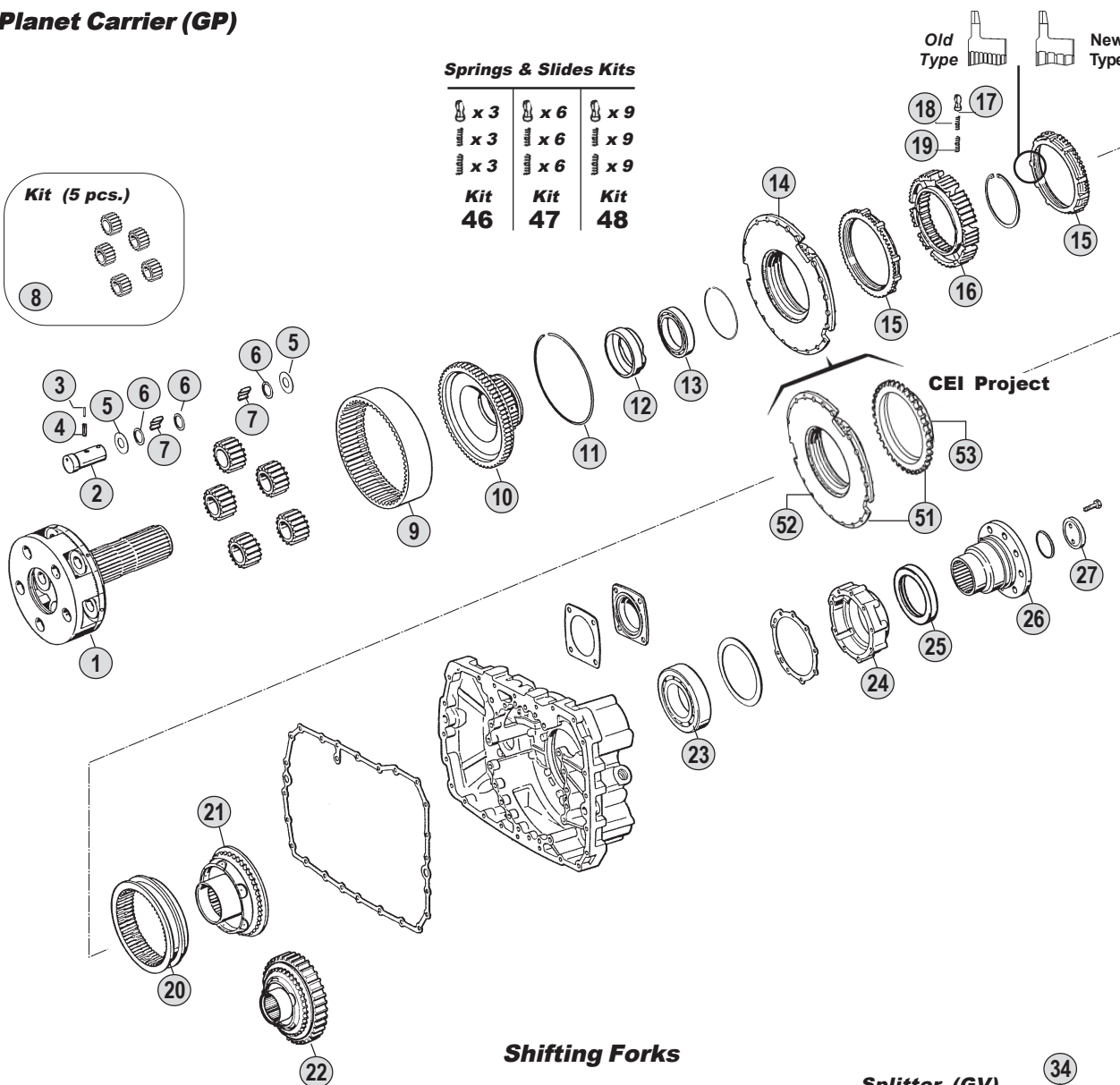
**Planet Carrier (GP)**

**Springs & Slides Kits**

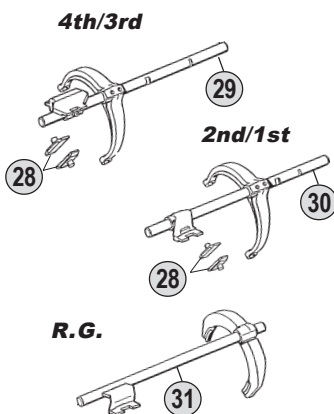
|               |               |               |
|---------------|---------------|---------------|
| x 3           | x 6           | x 9           |
| x 3           | x 6           | x 9           |
| x 3           | x 6           | x 9           |
| <b>Kit 46</b> | <b>Kit 47</b> | <b>Kit 48</b> |



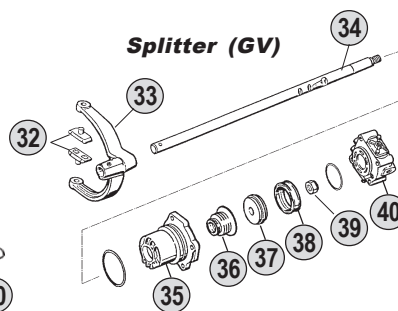
Old Type New Type



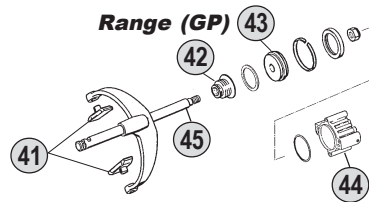
**Shifting Forks**



**Splitter (GV)**



**Range (GP)**



**Kits**



**Gasket Kit 50**



**Oil Seal Kit 49**

**Ratios**

|               |              |                 |                 |
|---------------|--------------|-----------------|-----------------|
| <b>16S150</b> | A:--         | B: 13,80 - 0,84 | C: 16,47 - 1,00 |
| <b>16S220</b> | A:10,14-0,72 | B: 13,80 - 0,84 | C: 16,47 - 1,00 |

All original equipment manufacturers' numbers, symbols, pictures, models and description used in this catalogue are for reference only, and it is not implied that any part listed is the product of these manufactures. Tutti i nostri particolari non sono originali ma con essi intercambiabili. I riferimenti originali, le figure, i modelli sono esposti a semplice titolo indicativo. La nostra produzione riporta il nostro marchio.

| Fig. | CEI no.        | O.E.M. Reference |         | Description                 | Q.ty | Note          | Ratio |               |               |  |  |  |
|------|----------------|------------------|---------|-----------------------------|------|---------------|-------|---------------|---------------|--|--|--|
|      |                | ZF no.           | DAF no. |                             |      |               |       | 16S150 (1313) | 16S220 (1312) |  |  |  |
| 1    | 190.393        | 1296 232 002     | 69079   | Planetary Carrier           | 1    |               |       | ●             |               |  |  |  |
| 1    |                | 1312 232 016     |         | Planetary Carrier           | 1    |               | A     |               | ●             |  |  |  |
| 1    | 190.392        | 1316 232 006     | 1227031 | Planetary Carrier           | 1    |               | BC    |               | ●             |  |  |  |
| 2    | 107.164        | 1296 332 005     | 69082   | Planet Shaft                | 5    |               |       | ●             |               |  |  |  |
| 2    | <b>107.163</b> | 1297 332 109     | 691407  | Planet Shaft                | 5    |               | A     |               | ●             |  |  |  |
| 2    | 107.165        | 1312 332 026     | 1227034 | Planet Shaft                | 5    |               | BC    |               | ●             |  |  |  |
| 3    | 160.195        | 0631 329 167     | 1344438 | Lock Pin D.3x26             | 5    |               |       | ●             | ●             |  |  |  |
| 4    | 160.194        | 0631 329 051     | 1344439 | Lock Pin D.5x26             | 5    |               |       | ●             | ●             |  |  |  |
| 5    | 169.759        | 0501 308 981     | 69078   | Thrust Washer               | 10   |               |       | ●             |               |  |  |  |
| 5    | <b>169.753</b> | 0501 306 212     | 691327  | Thrust Washer D.29x64x1,5   | 10   |               | A     |               | ●             |  |  |  |
| 5    | 169.759        | 0501 308 981     | 69078   | Thrust Washer               | 10   |               | BC    |               | ●             |  |  |  |
| 6    | 169.744        | 0730 107 168     | 69077   | Spacer Ring                 | 15   |               |       | ●             |               |  |  |  |
| 6    | <b>169.410</b> | 0730 103 846     | 692246  | Spacer Ring D.29x39x1,00    | 15   |               | A     |               | ●             |  |  |  |
| 6    | 169.744        | 0730 107 168     | 69077   | Spacer Ring                 | 15   |               | BC    |               | ●             |  |  |  |
| 7    | 171.046        | 0735 470 164     | 69081   | Roller D.10x15              | 140  |               |       | ●             |               |  |  |  |
| 7    | <b>171.062</b> | 0750 119 116     | 1284246 | Roller D.10x16,8            | 120  |               | A     |               | ●             |  |  |  |
| 7    | <b>171.062</b> | 0750 119 116     | 1284246 | Roller D.10x16,8            | 140  |               | BC    |               | ●             |  |  |  |
| 8    | <b>198.800</b> | 1313 232 003     | 69096   | Planetary Gear Set (5 pcs)  | 1    |               |       | ●             |               |  |  |  |
| 8    | <b>198.803</b> | 1297 232 023     | 66390   | Planetary Gear Set (5 pcs)  | 1    |               | A     |               | ●             |  |  |  |
| 8    | <b>198.801</b> | 1312 232 014     | 1227032 | Planetary Gear Set (5 pcs)  | 1    |               | BC    |               | ●             |  |  |  |
| 9    | <b>123.208</b> | 1295 332 086     | 69091   | Crown Gear 86 T             | 1    |               |       | ●             |               |  |  |  |
| 9    | <b>123.217</b> | 1297 332 080     | 66393   | Crown Gear 83 T             | 1    |               | A     |               | ●             |  |  |  |
| 9    | <b>123.208</b> | 1295 332 086     | 69091   | Crown Gear 86 T             | 1    |               | BC    |               | ●             |  |  |  |
| 10   | <b>150.133</b> | 1313 332 020     | 69083   | Flange Gear 86 T            | 1    |               |       | ●             |               |  |  |  |
| 10   |                | 1297 332 108     |         | Flange Gear 83 T            | 1    |               | A     |               | ●             |  |  |  |
| 10   | <b>150.134</b> | 1297 332 120     | 1227567 | Flange Gear 86 T            | 1    |               | BC    |               | ●             |  |  |  |
| 11   | 111.198        | 0730 505 056     | 691340  | Locking Wire                | 1    |               |       | ●             |               |  |  |  |
| 11   | 111.129        | 0730 505 055     | 692259  | Locking Wire                | 1    |               | A     |               | ●             |  |  |  |
| 11   | 111.198        | 0730 505 056     | 691340  | Locking Wire                | 1    |               | BC    |               | ●             |  |  |  |
| 12   |                | 1297 332 002     | 1300625 | Ring                        | 1    |               |       | ●             |               |  |  |  |
| 13   | 130.310        | 0750 116 165     | 69395   | Bearing D.80x110x16         | 1    |               |       | ●             |               |  |  |  |
| 13   | 130.311        | 0635 338 035     | 1227592 | Bearing D.100x125x13        | 1    |               |       |               | ●             |  |  |  |
| 14   | <b>198.358</b> | 1296 233 006     | 689812  | Synchronizer Cone           | 1    |               |       | ●             | ●             |  |  |  |
| 15   | <b>119.085</b> | 1296 333 022     | 1303708 | Synchronizer Ring           | 2    | Old Type      |       | ●             | ●             |  |  |  |
| 15   | <b>119.172</b> | 1296 333 045     | 1354113 | Synchronizer Ring           | 2    | New Type      |       | ●             | ●             |  |  |  |
| 16   | <b>157.182</b> | 1313 333 001     | 69909   | Synchronizer Hub            | 1    |               |       | ●             |               |  |  |  |
| 16   | <b>157.183</b> | 1297 333 115     | 1227600 | Synchronizer Hub            | 1    |               |       |               | ●             |  |  |  |
| 17   | <b>160.116</b> | 1240 304 278     | 326962  | Pressure Piece              | 9    |               |       | ●             | ●             |  |  |  |
| 18   | <b>156.036</b> | 0732 040 386     | 326964  | Inner Spring De.3x34        | 9    |               |       | ●             | ●             |  |  |  |
| 19   | <b>156.037</b> | 0732 040 385     | 326963  | Outer Spring De.6x34        | 9    |               |       | ●             | ●             |  |  |  |
| 20   | <b>154.098</b> | 1296 333 023     | 689814  | Sliding Sleeve              | 1    |               |       | ●             | ●             |  |  |  |
| 21   | <b>198.374</b> | 1313 233 001     | 691378  | Synchronizer Cone (38 Spl.) | 1    |               |       | ●             |               |  |  |  |
| 21   | <b>198.790</b> | 1297 233 056     | 1228000 | Synchronizer Cone (41 Spl.) | 1    |               |       |               | ●             |  |  |  |
| 22   |                | 1297 333 118     | 1235589 | Synchronizer Cone           | 1    | With Retarder |       | ●             |               |  |  |  |
| 22   |                | 1312 333 014     | 1268672 | Synchronizer Cone           | 1    | With Retarder |       | ●             |               |  |  |  |

## Notes

- (4) Only Pneumatic Version  
 (5) To be coupled Together  
 (6) To be coupled Together

## Date

03 / 2006

## Table

021 / B

All original equipment manufacturers numbers, symbols, pictures, models and description used in this catalogue are for reference only, and it is not implied that any part listed is the product of these manufactures.  
 Tutti i nostri particolari non sono originali ma con essi intercambiabili. I riferimenti originali, le figure, i modelli sono esposti a semplice titolo indicativo. La nostra produzione riporta il nostro marchio.

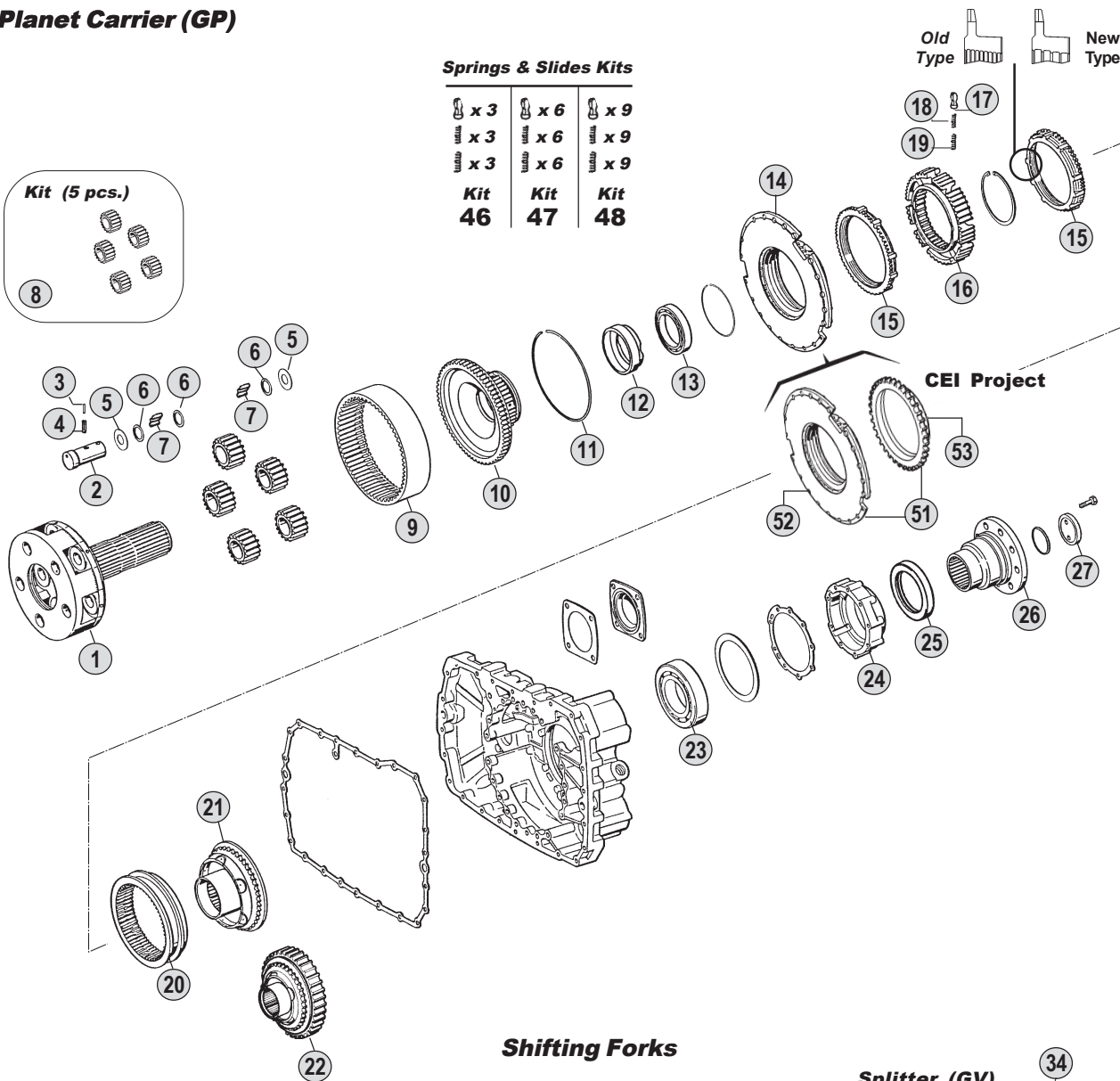
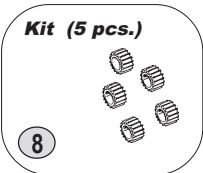


Suitable To : **ZF**

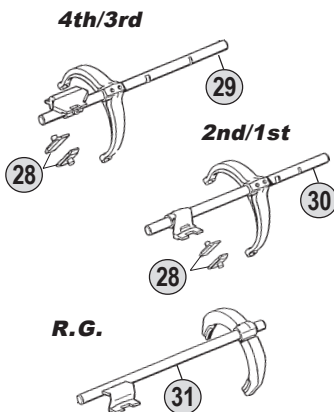
**Planet Carrier (GP)**

**Springs & Slides Kits**

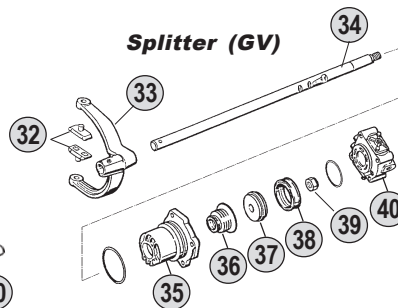
|               |               |               |
|---------------|---------------|---------------|
| x 3           | x 6           | x 9           |
| x 3           | x 6           | x 9           |
| x 3           | x 6           | x 9           |
| <b>Kit 46</b> | <b>Kit 47</b> | <b>Kit 48</b> |



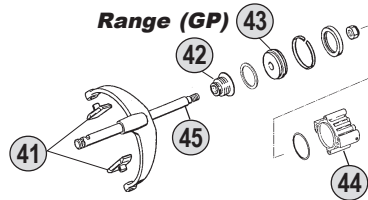
**Shifting Forks**



**Splitter (GV)**



**Range (GP)**



**Kits**



**Ratios**

|               |              |                 |                 |
|---------------|--------------|-----------------|-----------------|
| <b>16S150</b> | A:--         | B: 13,80 - 0,84 | C: 16,47 - 1,00 |
| <b>16S220</b> | A:10,14-0,72 | B: 13,80 - 0,84 | C: 16,47 - 1,00 |

All original equipment manufacturers' numbers, symbols, pictures, models and description used in this catalogue are for reference only, and it is not implied that any part listed is the product of these manufactures. Tutti i nostri particolari non sono originali ma con essi intercambiabili. I riferimenti originali, le figure, i modelli sono esposti a semplice titolo indicativo. La nostra produzione riporta il nostro marchio.

| Fig. | O.E.M. Reference |              | Description | Q.ty                    | Note | Ratio       |         |               |               |  |  |  |
|------|------------------|--------------|-------------|-------------------------|------|-------------|---------|---------------|---------------|--|--|--|
|      | CEI no.          | ZF no.       |             |                         |      |             | DAF no. | 16S150 (1313) | 16S220 (1312) |  |  |  |
| 23   | 130.245          | 0750 116 002 | 692184      | Bearing D.90x160x30     | 1    |             | ●       | ●             |               |  |  |  |
| 24   | 128.098          | 1315 301 220 | 691805      | Cover                   | 1    |             | ●       | ●             |               |  |  |  |
| 25   |                  | 0750 111 341 | 1304242     | Oil Seal 105x130x12     | 1    |             | ●       | ●             |               |  |  |  |
| 26   |                  | 1313 338 002 | 1228127     | Output Flange           | 1    | D.180-4 H.  | ●       |               |               |  |  |  |
| 26   |                  | 1313 338 011 |             | Output Flange           | 1    | D.204-4 H.  | ●       |               |               |  |  |  |
| 26   |                  | 1297 333 110 | 1227595     | Output Flange           | 1    | D.180-10 H. |         | ●             |               |  |  |  |
| 27   | 188.077          | 1295 332 051 | 696097      | Stop Washer             | 1    |             | ●       |               |               |  |  |  |
| 27   |                  | 1312 332 028 | 1227597     | Stop Washer             | 1    |             |         | ●             |               |  |  |  |
| 28   | 141.163          | 1297 306 120 | 66379       | Slide                   | 2    |             | ●       | ●             |               |  |  |  |
| 29   |                  | 1313 206 002 | 69595       | Fork                    | 1    |             | ●       |               |               |  |  |  |
| 29   |                  | 1313 206 005 | 1235380     | Fork                    | 1    |             | ●       |               |               |  |  |  |
| 29   |                  | 1313 206 011 |             | Fork                    | 1    | (4)         | ●       |               |               |  |  |  |
| 29   |                  | 1312 206 025 |             | Fork                    | 1    |             |         | ●             |               |  |  |  |
| 29   |                  | 1312 206 026 | 1227028     | Fork                    | 1    |             |         | ●             |               |  |  |  |
| 29   |                  | 1312 206 045 |             | Fork                    | 1    | (4)         |         | ●             |               |  |  |  |
| 30   |                  | 1313 206 001 | 69594       | Fork                    | 1    |             | ●       |               |               |  |  |  |
| 30   |                  | 1313 206 004 | 1235379     | Fork                    | 1    |             | ●       |               |               |  |  |  |
| 30   |                  | 1313 206 031 |             | Fork                    | 1    | (4)         | ●       |               |               |  |  |  |
| 30   |                  | 1312 206 013 |             | Fork                    | 1    |             |         | ●             |               |  |  |  |
| 30   |                  | 1312 206 017 | 1227027     | Fork                    | 1    |             |         | ●             |               |  |  |  |
| 30   |                  | 1312 206 043 |             | Fork                    | 1    | (4)         |         | ●             |               |  |  |  |
| 31   |                  | 1313 206 015 | 69596       | Fork                    | 1    |             | ●       |               |               |  |  |  |
| 31   |                  | 1313 206 016 | 1235381     | Fork                    | 1    |             | ●       |               |               |  |  |  |
| 31   |                  | 1313 206 026 |             | Fork                    | 1    | (4)         | ●       |               |               |  |  |  |
| 31   |                  | 1312 206 027 |             | Fork                    | 1    |             |         | ●             |               |  |  |  |
| 31   |                  | 1312 206 028 | 1227029     | Fork                    | 1    |             |         | ●             |               |  |  |  |
| 31   |                  | 1312 206 033 | 1250356     | Fork                    | 1    | (4)         |         | ●             |               |  |  |  |
| 32   | 141.163          | 1297 306 120 | 66379       | Slide                   | 2    |             | ●       | ●             |               |  |  |  |
| 33   |                  | 1313 312 002 | 689936      | Fork                    | 1    |             | ●       | ●             |               |  |  |  |
| 34   |                  | 1312 312 002 | 69598       | Rod                     | 1    |             | ●       |               |               |  |  |  |
| 34   |                  | 1312 312 001 | 1227030     | Rod                     | 1    |             |         | ●             |               |  |  |  |
| 35   | 132.046          | 1296 312 042 | 692130      | Cylinder                | 1    |             | ●       | ●             |               |  |  |  |
| 36   | 139.331          | 0750 112 034 | 692237      | Cap Collar D.25x38x14,2 | 1    |             | ●       | ●             |               |  |  |  |
| 37   |                  | 1312 312 003 | 1296903     | Piston                  | 1    |             | ●       | ●             |               |  |  |  |
| 37   |                  | 1312 312 015 |             | Piston                  | 1    | (4)         | ●       | ●             |               |  |  |  |
| 38   |                  | 0750 112 089 | 66388       | Ring 53x63x16,2         | 1    |             | ●       | ●             |               |  |  |  |
| 38   |                  | 0750 112 048 | 1235597     | Ring 53x63x5            | 1    | (4)         | ●       | ●             |               |  |  |  |
| 39   |                  | 0737 006 095 | 1291087     | Nut                     | 1    |             | ●       | ●             |               |  |  |  |
| 40   |                  | 0750 132 032 | 67061       | Cylinder                | 1    |             | ●       | ●             |               |  |  |  |
| 40   |                  | 0750 132 033 | 692239      | Cylinder                | 1    |             | ●       | ●             |               |  |  |  |
| 41   | 141.085          | 1296 334 004 | 692175      | Bronze Slide            | 2    |             | ●       | ●             |               |  |  |  |
| 42   | 139.331          | 0750 112 034 | 692237      | Cap Collar D.25x38x14,2 | 1    |             | ●       | ●             |               |  |  |  |
| 43   | 189.422          | 1296 334 039 | 699798      | Piston                  | 1    | (5)         | ●       | ●             |               |  |  |  |
| 43   |                  | 1297 334 056 | 1235359     | Piston                  | 1    | (6)         | ●       | ●             |               |  |  |  |
| 44   | 132.047          | 1295 334 075 | 68348       | Cylinder                | 1    | (5)         | ●       | ●             |               |  |  |  |

## Notes

- (4) Only Pneumatic Version  
 (5) To be coupled Together  
 (6) To be coupled Together

## Date

03 / 2006

## Table

021 / B

All original equipment manufacturers numbers, symbols, pictures, models and description used in this catalogue are for reference only, and it is not implied that any part listed is the product of these manufactures.  
 Tutti i nostri particolari non sono originali ma con essi intercambiabili. I riferimenti originali, le figure, i modelli sono esposti a semplice titolo indicativo. La nostra produzione riporta il nostro marchio.

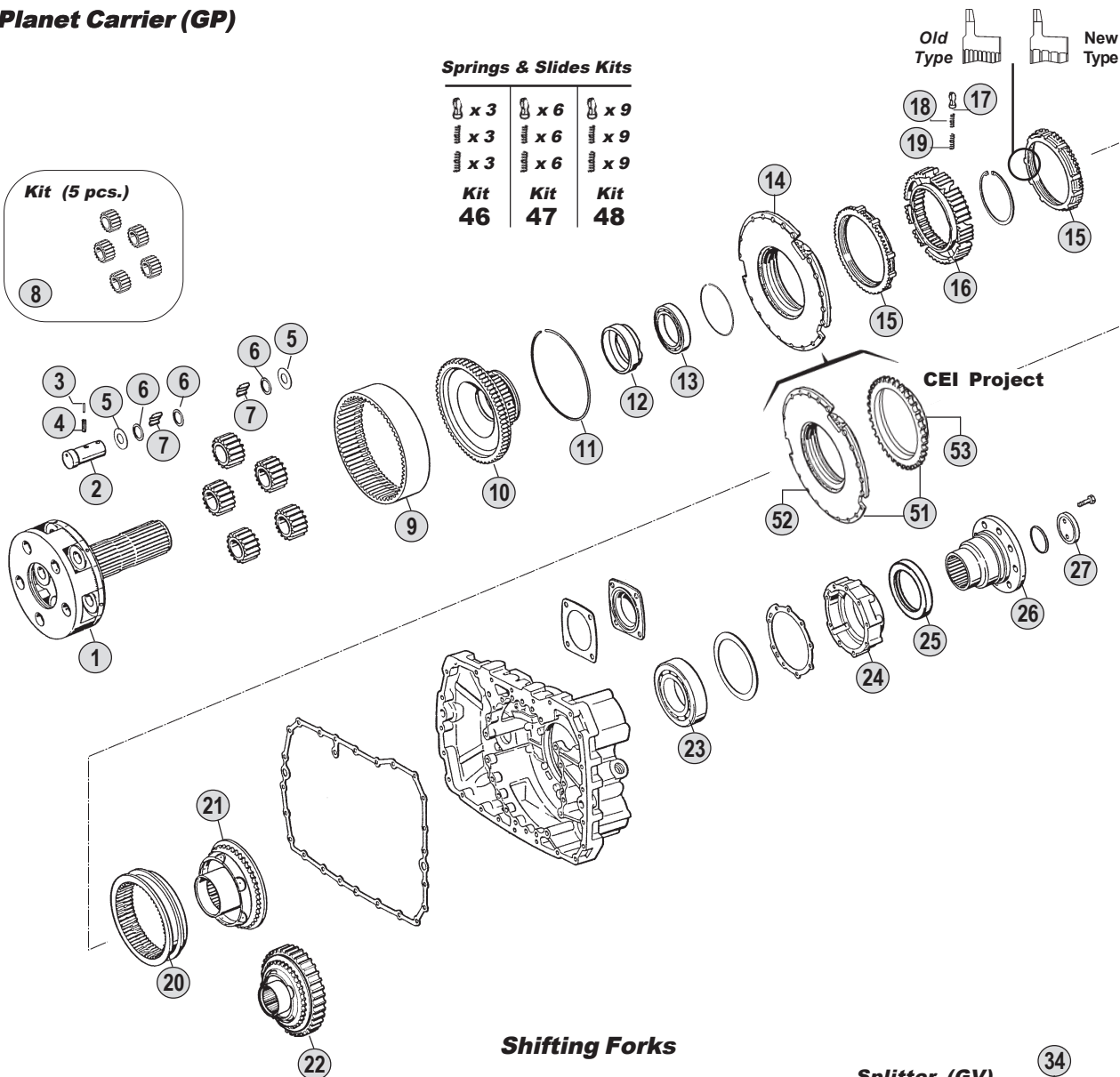
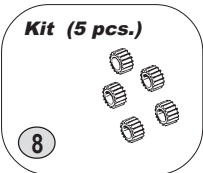
Suitable To : **ZF**

**16S150 - 16S220**

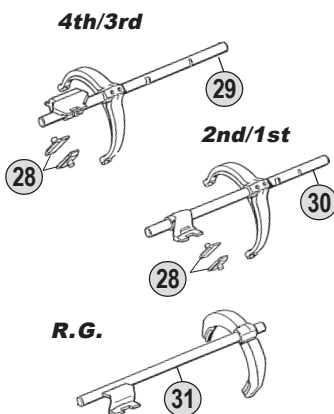
**Planet Carrier (GP)**

**Springs & Slides Kits**

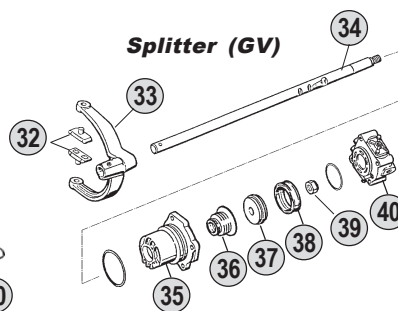
|               |               |               |
|---------------|---------------|---------------|
| x 3           | x 6           | x 9           |
| x 3           | x 6           | x 9           |
| x 3           | x 6           | x 9           |
| <b>Kit 46</b> | <b>Kit 47</b> | <b>Kit 48</b> |



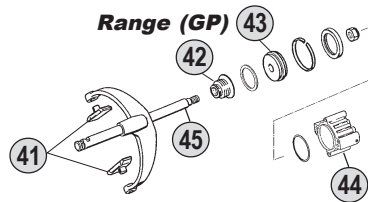
**Shifting Forks**



**Splitter (GV)**



**Range (GP)**



**Kits**



**Gasket Kit 50**



**Oil Seal Kit 49**

**Ratios**

|               |              |                 |                 |
|---------------|--------------|-----------------|-----------------|
| <b>16S150</b> | A:--         | B: 13,80 - 0,84 | C: 16,47 - 1,00 |
| <b>16S220</b> | A:10,14-0,72 | B: 13,80 - 0,84 | C: 16,47 - 1,00 |

All original equipment manufacturers' numbers, symbols, pictures, models and description used in this catalogue are for reference only, and it is not implied that any part listed is the product of these manufactures. Tutti i nostri particolari non sono originali ma con essi intercambiabili. I riferimenti originali, le figure, i modelli sono esposti a semplice titolo indicativo. La nostra produzione riporta il nostro marchio.





suitable to :

**Z.F.****EcoSplit III****From 16S151 to 16S221****Planetary Gear with STRAIGHT TEETH****Application**

|                 | 16S151<br>(1315) | 16S221<br>(1316) |  |  |
|-----------------|------------------|------------------|--|--|
| <b>MERCEDES</b> |                  |                  |  |  |
| <b>M.A.N.</b>   |                  |                  |  |  |
| <b>IVECO</b>    |                  |                  |  |  |
| <b>R.V.I.</b>   |                  |                  |  |  |
| <b>DAF</b>      |                  |                  |  |  |
| <b>VOLVO</b>    |                  |                  |  |  |

**Ratios**

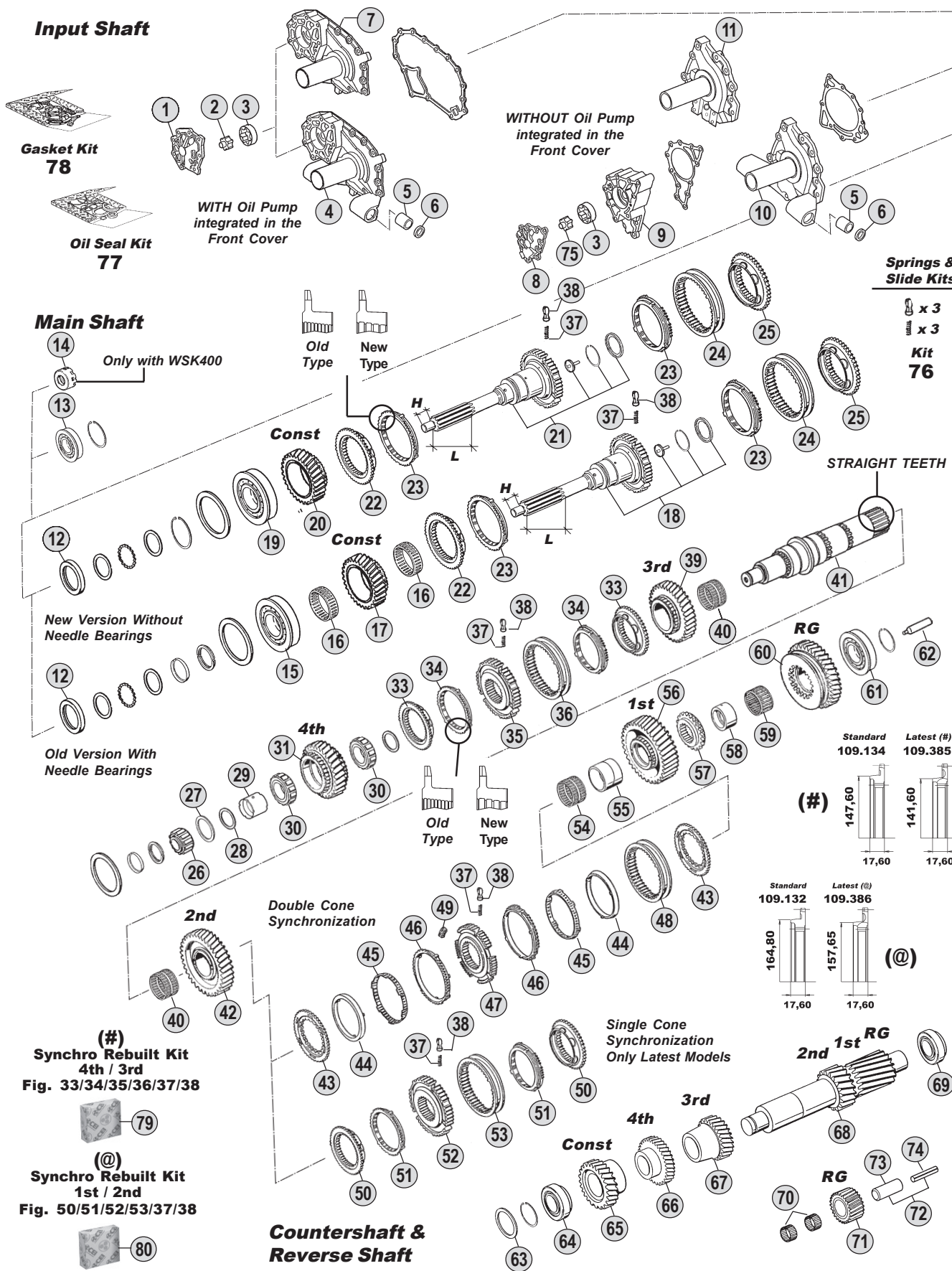
|               | R.13,80-0,84 | R.13,85-0,84 | R.13,86-0,84 | R.16,47-1,00 | R.16,53-1,00 |
|---------------|--------------|--------------|--------------|--------------|--------------|
|               | <b>A</b>     | <b>B</b>     | <b>C</b>     | <b>D</b>     | <b>E</b>     |
| <b>16S151</b> |              |              |              |              |              |
| <b>16S221</b> |              |              |              |              |              |
|               |              |              |              |              |              |
|               |              |              |              |              |              |

All original equipment manufacturers numbers, symbols, pictures, models and description used in this catalogue are for reference only, and it is not implied that any part listed is the product of these manufactures. Tutti i nostri particolari non sono originali ma con essi intercambiabili. I riferimenti originali, le figure, i modelli sono esposti a semplice titolo indicativo. La nostra produzione riporta il nostro marchio.

**ECO III**  
From 16S151  
To 16S221

Suitable To : **ZF**

**16S151 - 16S221**



All original equipment manufacturers' numbers, symbols, pictures, models and description used in this catalogue are for reference only, and it is not implied that any part listed is the product of these manufactures. Tutti i nostri particolari non sono originali ma con essi intercambiabili. I riferimenti originali, le figure, i modelli sono esposti a semplice titolo indicativo. La nostra produzione riporta il nostro marchio.

**Ratios**

|               |               |                 |                 |                 |               |
|---------------|---------------|-----------------|-----------------|-----------------|---------------|
| <b>16S151</b> | A: 13,80-0,84 | B: 13,85 - 0,84 | C: 13,86 - 0,84 | D: 16,47 - 1,00 | E: 16,53-1,00 |
| <b>16S221</b> | A: 13,80-0,84 | B: --           | C: 13,86 - 0,84 | D: 16,47 - 1,00 | E: -          |



| Fig. | O.E.M. Reference |              | Description | Q.ty                       | Note | Ratio               |         |               |               |  |  |  |  |  |
|------|------------------|--------------|-------------|----------------------------|------|---------------------|---------|---------------|---------------|--|--|--|--|--|
|      | CEI no.          | ZF no.       |             |                            |      |                     | DAF no. | 16S151 (1315) | 16S221 (1316) |  |  |  |  |  |
| 1    |                  | 1315 302 013 |             | Cover                      | 1    |                     | ●       | ●             |               |  |  |  |  |  |
| 2    |                  | 1315 202 014 | 1290961     | Rotor                      | 1    |                     | ●       | ●             |               |  |  |  |  |  |
| 3    |                  | 1315 303 027 | 1290962     | Oil Pump Housing           | 1    |                     | ●       | ●             |               |  |  |  |  |  |
| 4    |                  | 1315 302 057 |             | Front Cover                | 1    |                     | ●       | ●             |               |  |  |  |  |  |
| 5    |                  | 0730 260 398 |             | Bush                       | 4    |                     | ●       | ●             |               |  |  |  |  |  |
| 6    |                  | 0501 312 738 |             | Oil Seal 30x37x4           | 4    |                     | ●       | ●             |               |  |  |  |  |  |
| 7    |                  | 1315 302 045 |             | Front Cover                | 1    |                     | ●       | ●             |               |  |  |  |  |  |
| 7    |                  | 1315 302 047 | 1290959     | Front Cover                | 1    |                     | ●       | ●             |               |  |  |  |  |  |
| 8    |                  | 1315 302 120 | 1326337     | Cover                      | 1    |                     | ●       | ●             |               |  |  |  |  |  |
| 9    |                  | 1315 302 121 | 1326911     | Housing                    | 1    |                     | ●       | ●             |               |  |  |  |  |  |
| 10   |                  | 1315 202 055 |             | Front Cover                | 1    |                     | ●       | ●             |               |  |  |  |  |  |
| 10   |                  | 1315 202 058 |             | Front Cover                | 1    |                     | ●       | ●             |               |  |  |  |  |  |
| 10   |                  | 1315 202 061 |             | Front Cover                | 1    |                     | ●       | ●             |               |  |  |  |  |  |
| 10   |                  | 1315 202 065 |             | Front Cover                | 1    |                     | ●       | ●             |               |  |  |  |  |  |
| 10   |                  | 1315 202 060 |             | Front Cover                | 1    | With WSK400         | ●       | ●             |               |  |  |  |  |  |
| 11   |                  | 1315 302 075 | 1295188     | Front Cover                | 1    |                     | ●       | ●             |               |  |  |  |  |  |
| 11   |                  | 1315 302 136 |             | Front Cover                | 1    |                     | ●       | ●             |               |  |  |  |  |  |
| 12   | 139.754          | 0734 310 386 | 1360734     | Oil Seal 55x75x8           | 1    |                     | ●       | ●             |               |  |  |  |  |  |
| 12   |                  | 0734 310 104 | 1296692     | Oil Seal 52x68x8           | 1    | (1)                 | ●       | ●             |               |  |  |  |  |  |
| 12   |                  | 0734 319 514 | 1342789     | Oil Seal 52x72x8           | 1    | (2)                 | ●       | ●             |               |  |  |  |  |  |
| 13   |                  | 0635 450 098 | 69369       | Bearing 52x90x33           | 1    | (2)                 | ●       | ●             |               |  |  |  |  |  |
| 14   |                  | 4130 309 063 |             | Disk                       | 1    | (1)                 | ●       | ●             |               |  |  |  |  |  |
| 15   | 130.306          | 0750 117 431 | 1212182     | Bearing D.75x150x30,50     | 1    | (3-4-5)             | ●       | ●             |               |  |  |  |  |  |
| 16   | 137.133          | 0735 321 437 | 1342736     | Needle Cage D.93x101x25    | 2    | (3)                 | ●       |               |               |  |  |  |  |  |
| 16   | 137.148          | 0750 115 310 | 69560       | Needle Cage D.93x101x25    | 2    | (4)                 | ●       |               |               |  |  |  |  |  |
| 16   | 137.134          | 0735 321 438 | 1330140     | Needle Cage D.93x101x32,50 | 2    | (5)                 |         | ●             |               |  |  |  |  |  |
| 17   | 145.524          | 1315 302 008 | 1291070     | Constant Gear 34 T         | 1    | (3)                 | ●       |               | B             |  |  |  |  |  |
| 17   | 145.451          | 1315 302 007 | 1291071     | Constant Gear 30 T         | 1    | (4)                 | ●       |               | DE            |  |  |  |  |  |
| 17   | 145.472          | 1316 302 001 | 1295186     | Constant Gear 30 T         | 1    | (5)                 | ●       |               | D             |  |  |  |  |  |
| 18   | 190.309          | 1315 202 022 | 1296999     | Input Shaft                | 1    | L=125 H=32          | ●       |               |               |  |  |  |  |  |
| 18   | 190.296          | 1315 202 012 |             | Input Shaft                | 1    |                     | ●       |               |               |  |  |  |  |  |
| 18   | 190.297          | 1316 202 005 |             | Input Shaft                | 1    |                     |         | ●             |               |  |  |  |  |  |
| 19   | 130.518          | 0750 117 732 | 1344264     | Bearing D.85x150x30,50     | 1    |                     | ●       | ●             |               |  |  |  |  |  |
| 20   | 145.513          | 1315 302 173 | 1344263     | Constant Gear 34 T         | 1    |                     | ●       |               | A             |  |  |  |  |  |
| 20   | 145.556          | 1315 302 158 |             | Constant Gear 35 T         | 1    |                     | ●       |               | C             |  |  |  |  |  |
| 20   | 145.553          | 1315 302 157 | 1344262     | Constant Gear 30 T         | 1    |                     | ●       |               | D             |  |  |  |  |  |
| 20   | 145.487          | 1316 302 065 | 1344616     | Constant Gear 34 T         | 1    |                     |         | ●             | A             |  |  |  |  |  |
| 20   | 145.554          | 1316 302 067 | 1394364     | Constant Gear 35 T         | 1    |                     |         | ●             | C             |  |  |  |  |  |
| 20   | 145.483          | 1316 302 066 | 1369642     | Constant Gear 30 T         | 1    |                     |         | ●             | D             |  |  |  |  |  |
| 21   | 190.304          | 1315 202 037 | 1373772     | Input Shaft                | 1    | L=125 H=31,5        | ●       |               |               |  |  |  |  |  |
| 21   | 190.315          | 1315 202 040 |             | Input Shaft                | 1    | L=102 H=32          | ●       |               |               |  |  |  |  |  |
| 21   |                  | 1315 202 048 |             | Input Shaft                | 1    | With WSK400         | ●       |               |               |  |  |  |  |  |
| 21   | 190.317          | 1315 221 002 | 1344258     | Input Shaft                | 1    | NMV221 (Clutch PTO) | ●       |               |               |  |  |  |  |  |
| 21   | 190.303          | 1316 202 025 | 1369129     | Input Shaft                | 1    | L=134 H=32          |         | ●             |               |  |  |  |  |  |
| 21   | 190.300          | 1316 202 026 |             | Input Shaft                | 1    |                     |         | ●             |               |  |  |  |  |  |

## Notes

- (1) Only for Input S. 1315 202 048-1316 202 033  
 (2) Only for Input S. 1315 221 002-1316 221 017  
 (3) Only for Input S. 1315 202 022 - Old Version with Needle B.  
 (4) Only for Input S. 1315 202 012 - Old version with Needle B.  
 (5) Only for Input S. 1316 202 005 - Old version with Needle B.  
 (6) Do not use for Old version with Needle Bearings  
 (7) Old Version. Repl. By 1315 304 089+1315 303 050  
 (8) Old Version. Repl. By 1316 304 103+1316 303 065  
 (9) For model WITH integrated Oil Pump  
 (10) For model WITHOUT integrated Oil Pump  
 (11) Old Version. Use 1316 303 002 with 1316 303 053  
 (12) Old Version. Use 1316 303 001 with 1316 303 052  
 (13) Old Version. Repl. by 1 pc. Fig. 73 + 1 pc. Fig. 74 (\*) New Models only. DO NO MIX Single Cone S. with Double Cone S.  
 (14) Latest Synchro gen. DO NO MIX the two different version. To update the previous one use the synchro rebuilt kit fig. 79  
 (15) Latest Synchro gen. DO NO MIX the two different version. To update the previous one use the synchro rebuilt kit fig. 80

## Date

03 / 2006

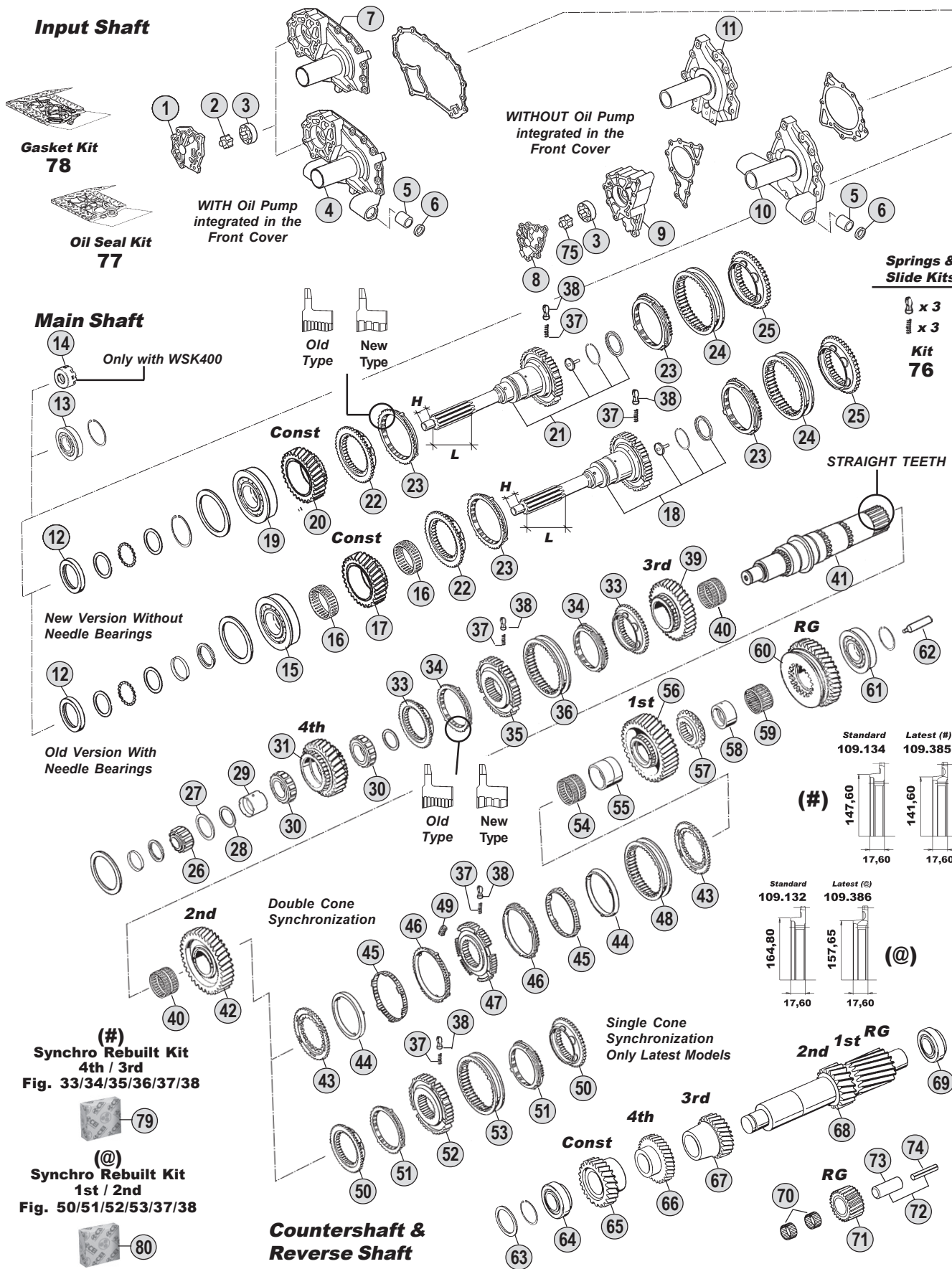
## Table

022 / A



Suitable To : **ZF**

**16S151 - 16S221**



All original equipment manufacturers' numbers, symbols, pictures, models and description used in this catalogue are for reference only, and it is not implied that any part listed is the product of these manufactures. Tutti i nostri particolari non sono originali ma con essi intercambiabili. I riferimenti originali, le figure, i modelli sono esposti a semplice titolo indicativo. La nostra produzione riporta il nostro marchio.

**Ratios**

|               |               |                 |                 |                 |               |
|---------------|---------------|-----------------|-----------------|-----------------|---------------|
| <b>16S151</b> | A: 13,80-0,84 | B: 13,85 - 0,84 | C: 13,86 - 0,84 | D: 16,47 - 1,00 | E: 16,53-1,00 |
| <b>16S221</b> | A: 13,80-0,84 | B: --           | C: 13,86 - 0,84 | D: 16,47 - 1,00 | E: -          |

| Fig. | O.E.M. Reference |              | Description | Q.ty                    | Note | Ratio                |         |               |               |  |  |
|------|------------------|--------------|-------------|-------------------------|------|----------------------|---------|---------------|---------------|--|--|
|      | CEI no.          | ZF no.       |             |                         |      |                      | DAF no. | 16S151 (1315) | 16S221 (1316) |  |  |
| 21   | 190.310          | 1316 202 033 |             | Input Shaft             | 1    | L=63 H=46,5 / WSK400 | ●       |               |               |  |  |
| 21   |                  | 1316 202 038 |             | Input Shaft             | 1    |                      | ●       |               |               |  |  |
| 21   |                  | 1316 221 017 | 1344615     | Input Shaft             | 1    | NMV221 (Clutch PTO)  | ●       |               |               |  |  |
| 22   | 109.134          | 1312 304 027 | 69584       | Synchronizer Cone       | 1    |                      | ●       | ●             |               |  |  |
| 23   | 119.119          | 1297 304 402 | 66373       | Synchronizer Ring       | 2    | Old Type             | ●       | ●             |               |  |  |
| 23   | 119.167          | 1297 304 484 | 1342731     | Synchronizer Ring       | 2    | New Type             | ●       | ●             |               |  |  |
| 24   | 154.135          | 1310 304 202 | 1377181     | Sliding Sleeve          | 1    |                      | ●       | ●             |               |  |  |
| 25   | 109.133          | 1312 304 056 | 69561       | Synchronizer Cone       | 1    |                      | ●       | ●             |               |  |  |
| 26   | 137.150          | 0750 117 232 | 69589       | Roller Cage D.42x40,30  | 1    |                      | ●       | ●             |               |  |  |
| 27   |                  | 1315 304 048 | 1339813     | Ring                    | 1    | S.8,00 mm            | ●       | ●             |               |  |  |
| 27   |                  | 1315 304 043 |             | Ring                    | 1    | S.7,50 mm            | ●       | ●             |               |  |  |
| 28   | 169.776          | 0750 101 158 | 1392338     | Thrust Washer 81,5x5    | 1    | (6)                  | ●       | ●             |               |  |  |
| 29   | 117.321          | 0750 119 125 |             | Bush 67x77x54,1         | 1    | (6)                  | ●       |               |               |  |  |
| 29   | 117.320          | 0750 119 124 | 1394366     | Bush D.67x77x66,10      | 1    | (6)                  | ●       |               |               |  |  |
| 30   | 137.164          | 0750 115 534 | 1394631     | Roller Cage 77x101x29   | 2    | (6)                  | ●       |               |               |  |  |
| 30   | 137.156          | 0750 118 198 | 69583       | Roller Cage D.67x101x32 | 2    | (3-4)                | ●       |               |               |  |  |
| 30   | 137.136          | 0750 115 531 | 1392339     | Roller Cage D.77x101x29 | 2    | (6)                  | ●       |               |               |  |  |
| 30   |                  | 0750 118 258 | 1227024     | Roller Cage D.67x101x38 | 2    | (5)                  | ●       |               |               |  |  |
| 31   | 146.431          | 1315 304 017 | 1291081     | Gear 4th Speed 30 T     | 1    |                      | ●       |               |               |  |  |
| 31   | 146.320          | 1315 304 089 | 1350862     | Gear 4th Speed 32 T     | 1    |                      | ●       |               |               |  |  |
| 31   | 145.729          | 1315 304 010 | 1290373     | Gear 4th Speed          | 1    | Old (7)              | ●       |               |               |  |  |
| 31   | 146.410          | 1316 304 007 | 1300654     | Gear 4th Speed 30 T     | 1    |                      | ●       |               |               |  |  |
| 31   | 146.401          | 1316 304 103 | 1330831     | Gear 4th Speed 32 T     | 1    |                      | ●       |               |               |  |  |
| 31   | 145.730          | 1316 304 006 |             | Gear 4th Speed          | 1    | Old (8)              | ●       |               |               |  |  |
| 33   | 109.134          | 1312 304 027 | 69584       | Synchronizer Cone       | 2    |                      | ●       | ●             |               |  |  |
| 33   | 109.385          | 1316 304 159 |             | Synchronizer Cone       | 2    | (#)                  | ●       | ●             |               |  |  |
| 34   | 119.119          | 1297 304 402 | 66373       | Synchronizer Ring       | 2    | Old Type             | ●       | ●             |               |  |  |
| 34   | 119.167          | 1297 304 484 | 1342731     | Synchronizer Ring       | 2    | New Type             | ●       | ●             |               |  |  |
| 34   | 119.217          | 1316 304 149 |             | Synchronizer Ring       | 2    | (#)                  | ●       | ●             |               |  |  |
| 35   | 157.180          | 1312 304 052 | 69585       | Synchronizer Hub        | 1    |                      | ●       | ●             |               |  |  |
| 35   | 157.227          | 1316 304 162 |             | Synchronizer Hub        | 1    | (#)                  | ●       | ●             |               |  |  |
| 36   | 154.135          | 1310 304 202 | 1377181     | Sliding Sleeve          | 1    |                      | ●       | ●             |               |  |  |
| 36   | 154.357          | 1315 304 135 |             | Sliding Sleeve          | 1    | (#)                  | ●       | ●             |               |  |  |
| 37   | 156.140          | 0732 040 409 | 171349      | Spring D.6,50x23,50     | 3    |                      | ●       | ●             |               |  |  |
| 38   | 160.189          | 1297 304 436 | 68332       | Pressure Piece          | 3    |                      | ●       | ●             |               |  |  |
| 39   | 145.514          | 1315 304 028 | 1291080     | Gear 3rd Speed 32 T     | 1    |                      | ●       |               |               |  |  |
| 39   | 145.456          | 1315 304 027 | 1290972     | Gear 3rd Speed 34 T     | 1    |                      | ●       |               |               |  |  |
| 39   | 145.488          | 1316 304 009 | 1300653     | Gear 3rd Speed 32 T     | 1    |                      | ●       |               |               |  |  |
| 39   | 145.473          | 1316 304 008 | 1295201     | Gear 3rd Speed 34 T     | 1    |                      | ●       |               |               |  |  |
| 40   | 137.137          | 0735 321 087 | 69568       | Needle Cage D.92x100x53 | 2    |                      | ●       |               |               |  |  |
| 40   | 137.138          | 0750 115 303 | 1227002     | Needle Cage D.92x100x63 | 2    |                      | ●       |               |               |  |  |
| 41   | 103.135          | 1315 304 130 | 1394573     | Main Shaft              | 1    |                      | ●       |               |               |  |  |
| 41   | 103.127          | 1315 304 029 |             | Main Shaft              | 1    |                      | ●       |               |               |  |  |
| 41   | 103.128          | 1316 304 130 | 1394744     | Main Shaft              | 1    |                      | ●       |               |               |  |  |
| 42   | 145.455          | 1315 304 026 | 1291077     | Gear 2nd Speed 37 T     | 1    |                      | ●       |               |               |  |  |

## Notes

- (1) Only for Input S. 1315 202 048-1316 202 033  
 (2) Only for Input S. 1315 221 002-1316 221 017  
 (3) Only for Input S. 1315 202 022 - Old Version with Needle B.  
 (4) Only for Input S. 1315 202 012 - Old version with Needle B.  
 (5) Only for Input S. 1316 202 005 - Old version with Needle B.  
 (6) Do not use for Old version with Needle Bearings  
 (7) Old Version. Repl. By 1315 304 089+1315 303 050  
 (8) Old Version. Repl. By 1316 304 103+1316 303 065  
 (9) For model WITH integrated Oil Pump  
 (10) For model WITHOUT integrated Oil Pump  
 (11) Old Version. Use 1316 303 002 with 1316 303 053  
 (12) Old Version. Use 1316 303 001 with 1316 303 052  
 (13) Old Version. Repl. by 1 pc. Fig. 73 + 1 pc. Fig. 74 (\*) New Models only. DO NO MIX Single Cone S. with Double Cone S.  
 (14) Latest Synchro gen. DO NO MIX the two different version. To update the previous one use the synchro rebuilt kit fig. 79  
 (15) Latest Synchro gen. DO NO MIX the two different version. To update the previous one use the synchro rebuilt kit fig. 80

## Date

03 / 2006

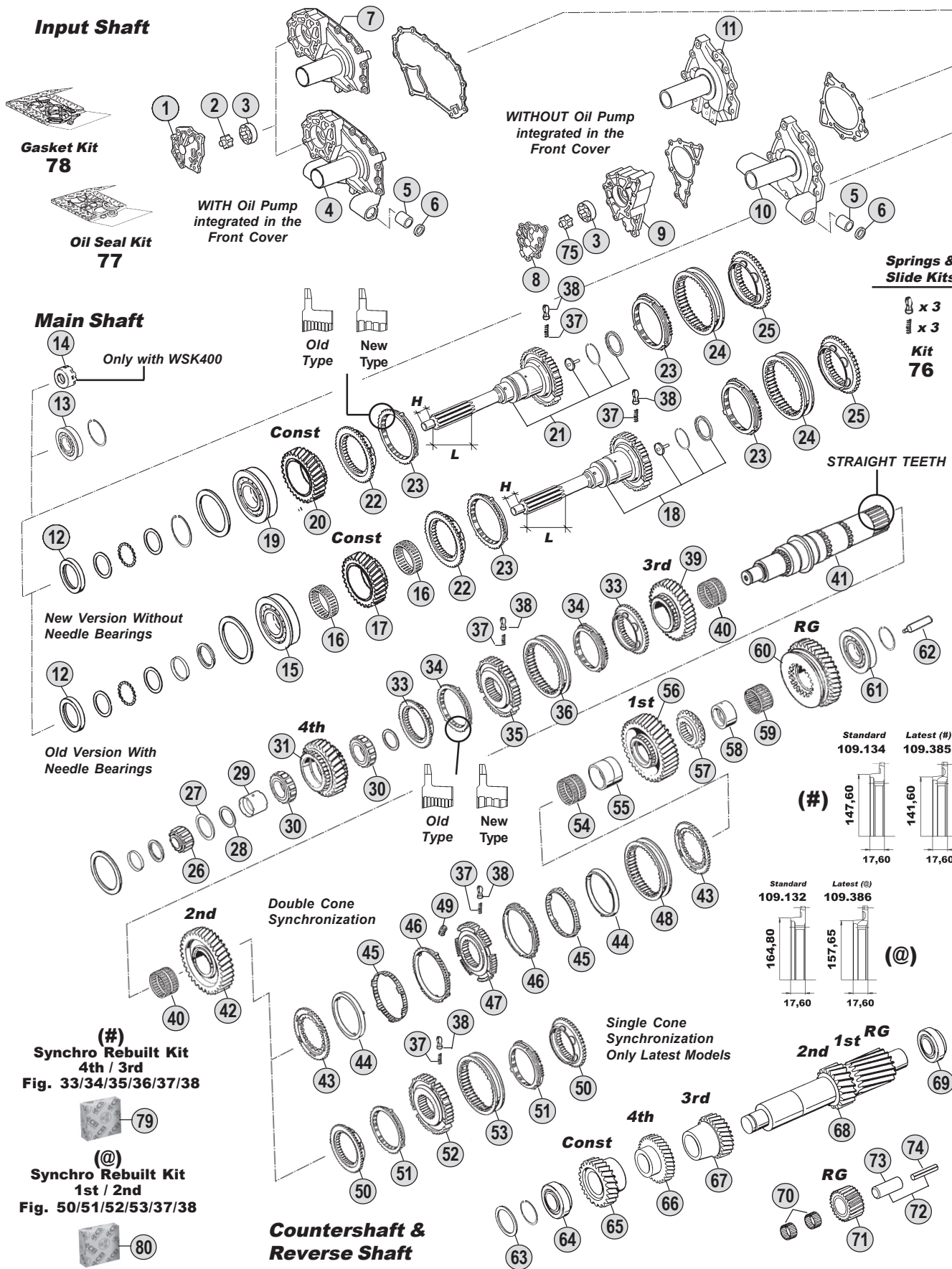
## Table

022 / A

ECO III  
From 16S151  
To 16S221

Suitable To : **ZF**

**16S151 - 16S221**



All original equipment manufacturers' numbers, symbols, pictures, models and description used in this catalogue are for reference only, and it is not implied that any part listed is the product of these manufactures. Tutti i nostri particolari non sono originali ma con essi intercambiabili. I riferimenti originali, le figure, i modelli sono esposti a semplice titolo indicativo. La nostra produzione riporta il nostro marchio.

**Ratios**

|               |               |                 |                 |                 |               |
|---------------|---------------|-----------------|-----------------|-----------------|---------------|
| <b>16S151</b> | A: 13,80-0,84 | B: 13,85 - 0,84 | C: 13,86 - 0,84 | D: 16,47 - 1,00 | E: 16,53-1,00 |
| <b>16S221</b> | A: 13,80-0,84 | B: --           | C: 13,86 - 0,84 | D: 16,47 - 1,00 | E: -          |



## O.E.M. Reference

16S151 (1315)  
16S221 (1316)

| Fig. | CEI no. | ZF no.       | DAF no. | Description             | Q.ty | Note           | Ratio |   |   |  |  |  |  |
|------|---------|--------------|---------|-------------------------|------|----------------|-------|---|---|--|--|--|--|
| 42   | 145.454 | 1315 304 025 | 1290968 | Gear 2nd Speed 38 T     | 1    |                | CDE   | ● |   |  |  |  |  |
| 42   | 145.515 | 1316 304 003 | 1300650 | Gear 2nd Speed 37 T     | 1    |                | A     |   | ● |  |  |  |  |
| 42   | 145.474 | 1316 304 002 | 1295197 | Gear 2nd Speed 38 T     | 1    |                | CD    |   | ● |  |  |  |  |
| 43   | 109.176 | 1312 304 106 | 1227005 | Synchronizer Cone       | 2    |                |       | ● | ● |  |  |  |  |
| 44   | 119.152 | 1268 304 424 | 1227006 | Intermediate Ring       | 2    |                |       | ● | ● |  |  |  |  |
| 45   | 119.153 | 1268 304 494 | 1377179 | Intermediate Cone       | 2    |                |       | ● | ● |  |  |  |  |
| 46   | 119.144 | 1268 304 525 | 1227008 | Synchronizer Ring       | 2    |                |       | ● | ● |  |  |  |  |
| 47   | 157.181 | 1312 304 158 | 1250147 | Synchronizer Hub        | 1    |                |       | ● | ● |  |  |  |  |
| 48   | 154.190 | 1310 304 175 | 1353770 | Sliding Sleeve          | 1    |                |       | ● | ● |  |  |  |  |
| 49   | 156.176 | 1312 304 159 | 1300312 | Pad                     | 3    |                |       | ● | ● |  |  |  |  |
| 50   | 109.132 | 1313 304 009 | 69572   | Synchronizer Cone       | 2    | (*)            |       | ● | ● |  |  |  |  |
| 50   | 109.386 | 1316 304 156 |         | Synchronizer Cone       | 2    |                | (@)   | ● | ● |  |  |  |  |
| 51   | 119.122 | 1297 304 401 | 66365   | Synchronizer Ring       | 2    | Old Type (*)   |       | ● | ● |  |  |  |  |
| 51   | 119.166 | 1297 304 485 | 1360740 | Synchronizer Ring       | 2    | New Type (*)   |       | ● | ● |  |  |  |  |
| 51   | 119.218 | 1316 304 150 |         | Synchronizer Ring       | 2    |                | (@)   | ● | ● |  |  |  |  |
| 52   | 157.189 | 1313 304 008 | 69570   | Synchronizer Hub        | 1    | (*)            |       | ● | ● |  |  |  |  |
| 52   | 157.228 | 1316 304 163 |         | Synchronizer Hub        | 1    |                | (@)   | ● | ● |  |  |  |  |
| 53   | 154.202 | 1316 304 078 | 1360725 | Sliding Sleeve          | 1    | (*)            |       | ● | ● |  |  |  |  |
| 53   | 154.358 | 1315 304 136 |         | Sliding Sleeve          | 1    |                | (@)   | ● | ● |  |  |  |  |
| 54   | 137.160 | 0750 115 325 | 69574   | Needle Cage D.96x104x55 | 1    |                |       | ● |   |  |  |  |  |
| 54   | 137.151 | 0750 115 327 | 1227012 | Needle Cage D.96x104x72 | 1    |                |       |   | ● |  |  |  |  |
| 55   | 117.294 | 1313 304 038 | 69573   | Bush                    | 1    |                |       | ● |   |  |  |  |  |
| 55   | 117.310 | 1312 304 084 | 1227011 | Bush D.85x96x72         | 1    |                |       |   | ● |  |  |  |  |
| 56   | 145.453 | 1315 304 014 | 1291078 | Gear 1st Speed 44 T     | 1    |                | AB    | ● |   |  |  |  |  |
| 56   | 145.452 | 1315 304 004 | 1290969 | Gear 1st Speed 47 T     | 1    |                | CDE   | ● |   |  |  |  |  |
| 56   | 145.522 | 1316 304 013 | 1300651 | Gear 1st Speed 44 T     | 1    |                | A     |   | ● |  |  |  |  |
| 56   | 145.475 | 1316 304 010 | 1295198 | Gear 1st Speed 47 T     | 1    |                | CD    |   | ● |  |  |  |  |
| 57   | 109.144 | 1315 304 018 | 1290970 | Engaging Ring           | 1    |                |       | ● |   |  |  |  |  |
| 57   | 109.163 | 1312 304 124 | 1295199 | Engaging Ring           | 1    |                |       |   | ● |  |  |  |  |
| 58   | 117.293 | 1315 304 132 | 1381158 | Bush                    | 1    |                |       | ● |   |  |  |  |  |
| 58   | 117.311 | 1316 304 133 | 1386223 | Bush D.80x90x50         | 1    |                |       |   | ● |  |  |  |  |
| 59   | 137.162 | 0750 115 324 | 69578   | Roller Cage D.90x98x41  | 1    |                |       | ● |   |  |  |  |  |
| 59   | 137.140 | 0750 115 326 | 1227017 | Roller Cage D.90x98x50  | 1    |                |       |   | ● |  |  |  |  |
| 60   | 147.124 | 1315 304 013 | 1291079 | Reverse Gear 42 T       | 1    |                | AB    | ● |   |  |  |  |  |
| 60   | 147.123 | 1315 304 006 | 1290971 | Reverse Gear 44 T       | 1    |                | CDE   | ● |   |  |  |  |  |
| 60   | 147.144 | 1316 304 015 | 1300652 | Reverse Gear 42 T       | 1    |                | A     |   | ● |  |  |  |  |
| 60   | 147.128 | 1316 304 012 | 1295200 | Reverse Gear 44 T       | 1    |                | CD    |   | ● |  |  |  |  |
| 61   | 130.309 | 0750 117 677 | 1333686 | Bearing D.80x130x36     | 1    |                |       | ● |   |  |  |  |  |
| 61   | 130.304 | 0750 117 678 | 1330399 | Bearing D.80x140x36,50  | 1    |                |       |   | ● |  |  |  |  |
| 62   | 188.209 | 1312 304 150 | 1246838 | Oil Tube                | 1    |                |       | ● | ● |  |  |  |  |
| 63   |         | 0730 102 099 | 140908  | Washer                  | 1    | S.3,00 mm (9)  |       | ● |   |  |  |  |  |
| 63   |         | 0730 102 072 | 140928  | Washer                  | 1    | S.2,00 mm (9)  |       | ● |   |  |  |  |  |
| 63   |         | 0730 106 917 | 1212189 | Washer                  | 1    | S.3,00 mm (10) |       | ● |   |  |  |  |  |
| 63   |         | 0730 101 471 | 1212193 | Washer                  | 1    | S.2,00 mm (10) |       | ● |   |  |  |  |  |
| 63   |         | 0730 106 917 | 1212189 | Washer                  | 1    | S.3,00 mm      |       | ● |   |  |  |  |  |

## Notes

- (1) Only for Input S. 1315 202 048-1316 202 033  
 (2) Only for Input S. 1315 221 002-1316 221 017  
 (3) Only for Input S. 1315 202 022 - Old Version with Needle B.  
 (4) Only for Input S. 1315 202 012 - Old version with Needle B.  
 (5) Only for Input S. 1316 202 005 - Old version with Needle B.  
 (6) Do not use for Old version with Needle Bearings  
 (7) Old Version. Repl. By 1315 304 089+1315 303 050  
 (8) Old Version. Repl. By 1316 304 103+1316 303 065  
 (9) For model WITH integrated Oil Pump  
 (10) For model WITHOUT integrated Oil Pump  
 (11) Old Version. Use 1316 303 002 with 1316 303 053  
 (12) Old Version. Use 1316 303 001 with 1316 303 052  
 (13) Old Version. Repl. by 1 pc. Fig. 73 + 1 pc. Fig. 74 (\*) New Models only. **DO NO MIX** Single Cone S. with Double Cone S.  
 (\*) Latest Synchro gen. **DO NO MIX** the two different version. To update the previous one use the **synchro rebuilt kit fig. 79**  
 (@) Latest Synchro gen. **DO NO MIX** the two different version. To update the previous one use the **synchro rebuilt kit fig. 79**

## Date

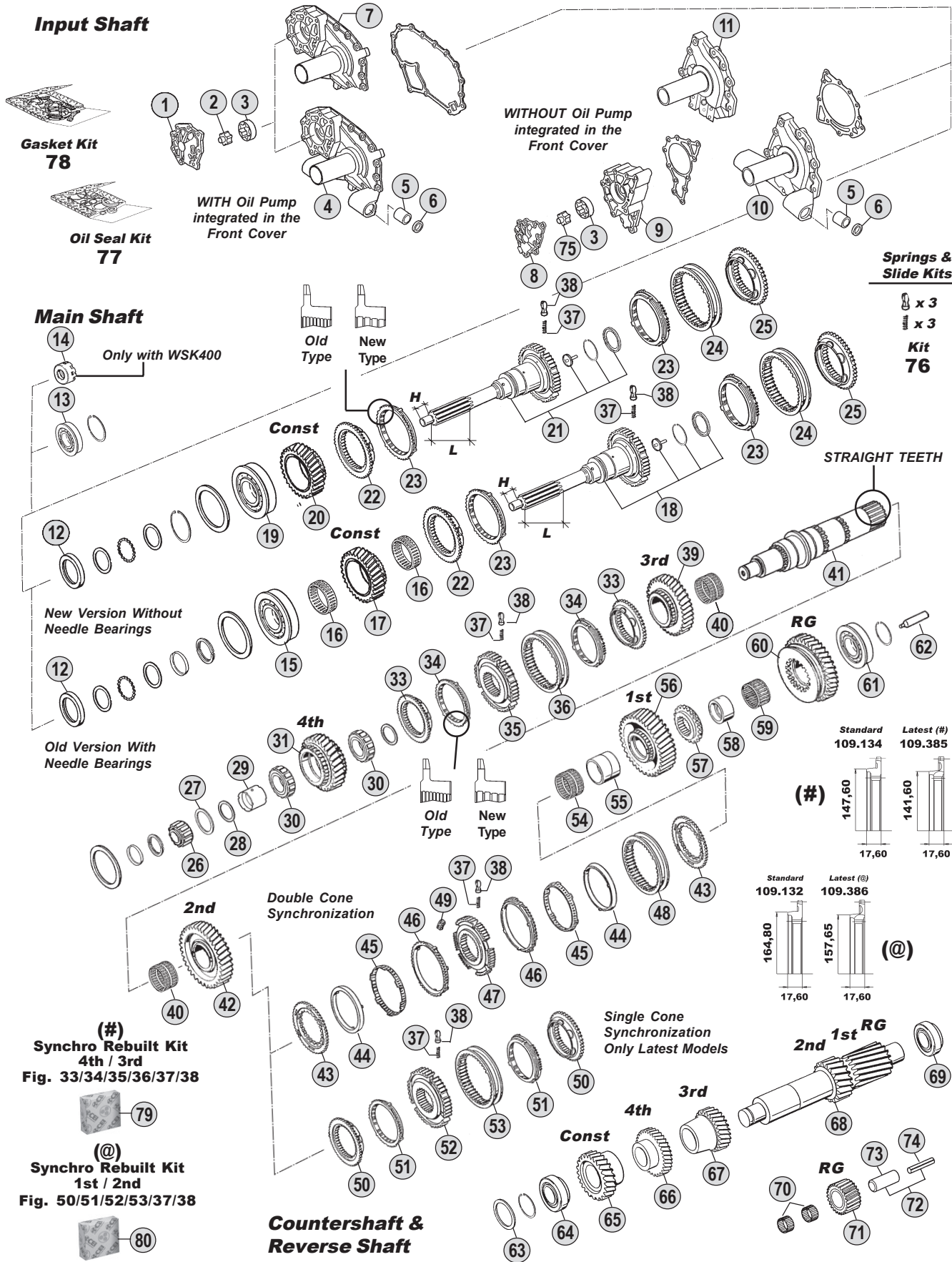
03 / 2006

## Table

022 / A

Suitable To : **ZF**

**16S151 - 16S221**



All original equipment manufacturers' numbers, symbols, pictures, models and description used in this catalogue are for reference only, and it is not implied that any part listed is the product of these manufactures. Tutti i nostri particolari non sono originali ma con essi intercambiabili. I riferimenti originali, le figure, i modelli sono esposti a semplice titolo indicativo. La nostra produzione riporta il nostro marchio.

**Ratios**

|               |                      |                        |                        |                        |                      |
|---------------|----------------------|------------------------|------------------------|------------------------|----------------------|
| <b>16S151</b> | <b>A:</b> 13,80-0,84 | <b>B:</b> 13,85 - 0,84 | <b>C:</b> 13,86 - 0,84 | <b>D:</b> 16,47 - 1,00 | <b>E:</b> 16,53-1,00 |
| <b>16S221</b> | <b>A:</b> 13,80-0,84 | <b>B:</b> --           | <b>C:</b> 13,86 - 0,84 | <b>D:</b> 16,47 - 1,00 | <b>E:</b> -          |



## O.E.M. Reference

16S151 (1315)  
16S221 (1316)

| Fig. | CEI no. | ZF no.       | DAF no. | Description               | Q.ty | Note      | Ratio |   |   |  |  |  |  |
|------|---------|--------------|---------|---------------------------|------|-----------|-------|---|---|--|--|--|--|
| 63   |         | 0730 101 471 | 1212193 | Washer                    | 1    | S.2,00 mm |       | ● |   |  |  |  |  |
| 64   | 130.242 | 0750 117 010 | 692181  | Bearing D.50,80x100x35    | 1    | (9)       |       | ● |   |  |  |  |  |
| 64   | 130.308 | 0750 117 009 | 691357  | Bearing D.49,2x103,1x43,6 | 1    | (10)      |       | ● |   |  |  |  |  |
| 64   | 130.308 | 0750 117 009 | 691357  | Bearing D.49,2x103,1x43,6 | 1    |           |       | ● |   |  |  |  |  |
| 65   | 146.427 | 1315 303 052 | 1342737 | Constant Gear 37 T        | 1    |           | AB    | ● |   |  |  |  |  |
| 65   | 146.473 | 1315 303 051 |         | Constant Gear 32 T        | 1    |           | C     | ● |   |  |  |  |  |
| 65   | 146.367 | 1315 303 008 | 1291075 | Constant Gear 39 T        | 1    |           | DE    | ● |   |  |  |  |  |
| 65   | 146.407 | 1316 303 031 | 1300648 | Constant Gear 37 T        | 1    |           | A     | ● |   |  |  |  |  |
| 65   | 146.428 | 1316 303 002 |         | Constant Gear 37 T        | 1    | Old (11)  | A     | ● |   |  |  |  |  |
| 65   | 146.469 | 1316 303 064 | 1394365 | Constant Gear 32 T        | 1    |           | C     | ● |   |  |  |  |  |
| 65   | 146.486 | 1316 303 030 | 1295191 | Constant Gear 39 T        | 1    |           | D     | ● |   |  |  |  |  |
| 65   | 146.388 | 1316 303 001 |         | Constant Gear 39 T        | 1    | Old (12)  | D     | ● |   |  |  |  |  |
| 66   | 146.429 | 1315 303 046 | 1317303 | Gear 4th Speed 39 T       | 1    |           | AB    | ● |   |  |  |  |  |
| 66   | 146.474 | 1315 303 050 | 1350861 | Gear 4th Speed 35 T       | 1    |           | CDE   | ● |   |  |  |  |  |
| 66   | 146.389 | 1315 303 006 | 1290967 | Gear 4th Speed 37 T       | 1    | (7)       | D     | ● |   |  |  |  |  |
| 66   | 146.408 | 1316 303 004 | 1300649 | Gear 4th Speed 39 T       | 1    |           | A     | ● |   |  |  |  |  |
| 66   | 146.426 | 1316 303 065 | 1360899 | Gear 4th Speed 35 T       | 1    |           | CD    | ● |   |  |  |  |  |
| 66   | 146.390 | 1316 303 003 | 1295192 | Gear 4th Speed 37 T       | 1    | (8)       | D     | ● |   |  |  |  |  |
| 67   | 146.368 | 1315 303 010 | 1291073 | Gear 3rd Speed 28 T       | 1    |           | AB    | ● |   |  |  |  |  |
| 67   | 146.365 | 1315 303 004 | 1290965 | Gear 3rd Speed 26 T       | 1    |           | CDE   | ● |   |  |  |  |  |
| 67   | 146.409 | 1316 303 006 | 1300647 | Gear 3rd Speed 28 T       | 1    |           | A     | ● |   |  |  |  |  |
| 67   | 146.391 | 1316 303 005 | 1295190 | Gear 3rd Speed 26 T       | 1    |           | CD    | ● |   |  |  |  |  |
| 68   | 105.112 | 1315 303 048 | 1291072 | Countershaft 19-23 T      | 1    | (9)       | AB    | ● |   |  |  |  |  |
| 68   | 105.095 | 1315 303 049 | 1290964 | Countershaft 17-20 T      | 1    | (9)       | DE    | ● |   |  |  |  |  |
| 68   | 105.109 | 1315 303 041 | 1300691 | Countershaft 19-23 T      | 1    | (10)      | A     | ● |   |  |  |  |  |
| 68   | 105.124 | 1315 303 042 | 1297001 | Countershaft 17-20 T      | 1    | (10)      | CD    | ● |   |  |  |  |  |
| 68   | 105.103 | 1316 303 034 | 1300646 | Countershaft 19-23 T      | 1    |           | A     | ● |   |  |  |  |  |
| 68   | 105.110 | 1316 303 053 |         | Countershaft 19-23 T      | 1    | (11)      | A     | ● |   |  |  |  |  |
| 68   | 105.100 | 1316 303 033 | 1295189 | Countershaft 17-20 T      | 1    |           | CD    | ● |   |  |  |  |  |
| 68   | 105.096 | 1316 303 052 |         | Countershaft 17-20 T      | 1    | (12)      | D     | ● |   |  |  |  |  |
| 69   | 130.307 | 0750 117 011 | 689905  | Bearing D.50,8x104,7x39,6 | 1    |           |       | ● |   |  |  |  |  |
| 69   | 130.308 | 0750 117 009 | 691357  | Bearing D.49,2x103,1x43,6 | 1    |           |       | ● |   |  |  |  |  |
| 70   | 137.135 | 0750 115 366 | 1290947 | Needle Cage D.45x57x21    | 2    |           |       | ● |   |  |  |  |  |
| 70   | 137.149 | 0750 115 369 | 1295179 | Needle Cage D.45x57x25    | 2    |           |       | ● |   |  |  |  |  |
| 71   | 147.142 | 1315 305 005 | 1291007 | Reverse Gear 20 T         | 1    |           | AB    | ● |   |  |  |  |  |
| 71   | 147.126 | 1315 305 002 | 1290946 | Reverse Gear 22 T         | 1    |           | CDE   | ● |   |  |  |  |  |
| 71   | 147.143 | 1316 305 002 | 1295178 | Reverse Gear 20 T         | 1    |           | A     | ● |   |  |  |  |  |
| 71   | 147.127 | 1316 305 001 | 1295177 | Reverse Gear 22 T         | 1    |           | CD    | ● |   |  |  |  |  |
| 72   |         | 1315 201 054 | 1344257 | Reverse Shaft             | 1    | Old (13)  | AB    | ● |   |  |  |  |  |
| 72   |         | 1315 201 053 | 1344256 | Reverse Shaft             | 1    | Old (13)  | CDE   | ● |   |  |  |  |  |
| 72   |         | 1316 201 030 | 1295182 | Reverse Shaft             | 1    | Old (13)  | A     | ● |   |  |  |  |  |
| 72   | 190.301 | 1316 201 029 | 1344227 | Reverse Shaft             | 1    | Old (13)  | CD    | ● |   |  |  |  |  |
| 73   | 190.302 | 1315 305 009 | 1290948 | Reverse Shaft             | 1    | New       |       | ● | ● |  |  |  |  |
| 74   |         | 0631 329 293 | 1291068 | Pin                       | 1    | New       | AB    | ● |   |  |  |  |  |
| 74   |         | 0631 329 294 |         | Pin                       | 1    | New       | CDE   | ● |   |  |  |  |  |

## Notes

- (1) Only for Input S. 1315 202 048-1316 202 033  
 (2) Only for Input S. 1315 221 002-1316 221 017  
 (3) Only for Input S. 1315 202 022 - Old Version with Needle B.  
 (4) Only for Input S. 1315 202 012 - Old version with Needle B.  
 (5) Only for Input S. 1316 202 005 - Old version with Needle B.  
 (6) Do not use for Old version with Needle Bearings  
 (7) Old Version. Repl. By 1315 304 089+1315 303 050  
 (8) Old Version. Repl. By 1316 304 103+1316 303 065  
 (9) For model WITH integrated Oil Pump  
 (10) For model WITHOUT integrated Oil Pump  
 (11) Old Version. Use 1316 303 002 with 1316 303 053  
 (12) Old Version. Use 1316 303 001 with 1316 303 052  
 (13) Old Version. Repl. by 1 pc. Fig. 73 + 1 pc. Fig. 74 (\*) New Models only. DO NO MIX Single Cone S. with Double Cone S.  
 (14) Latest Synchro gen. DO NO MIX the two different version. To update the previous one use the synchro rebuilt kit fig. 79  
 (15) Latest Synchro gen. DO NO MIX the two different version. To update the previous one use the synchro rebuilt kit fig. 80

## Date

03 / 2006

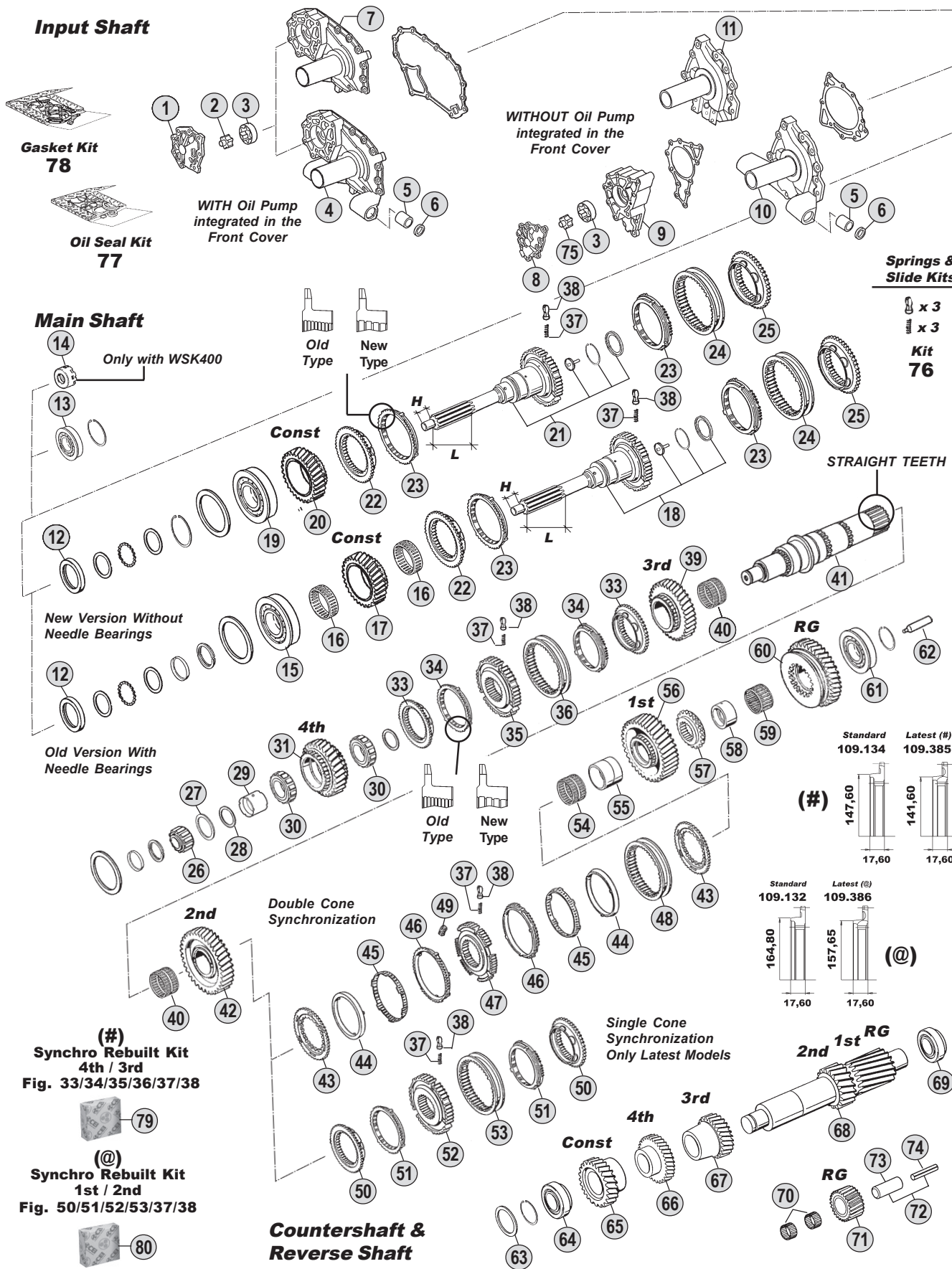
## Table

022 / A

ECO III  
From 16S151  
To 16S221

Suitable To : **ZF**

**16S151 - 16S221**



All original equipment manufacturers' numbers, symbols, pictures, models and description used in this catalogue are for reference only, and it is not implied that any part listed is the product of these manufactures. Tutti i nostri particolari non sono originali ma con essi intercambiabili. I riferimenti originali, le figure, i modelli sono esposti a semplice titolo indicativo. La nostra produzione riporta il nostro marchio.

**Ratios**

|               |                      |                        |                        |                        |                      |
|---------------|----------------------|------------------------|------------------------|------------------------|----------------------|
| <b>16S151</b> | <b>A: 13,80-0,84</b> | <b>B: 13,85 - 0,84</b> | <b>C: 13,86 - 0,84</b> | <b>D: 16,47 - 1,00</b> | <b>E: 16,53-1,00</b> |
| <b>16S221</b> | <b>A: 13,80-0,84</b> | <b>B: --</b>           | <b>C: 13,86 - 0,84</b> | <b>D: 16,47 - 1,00</b> | <b>E: -</b>          |



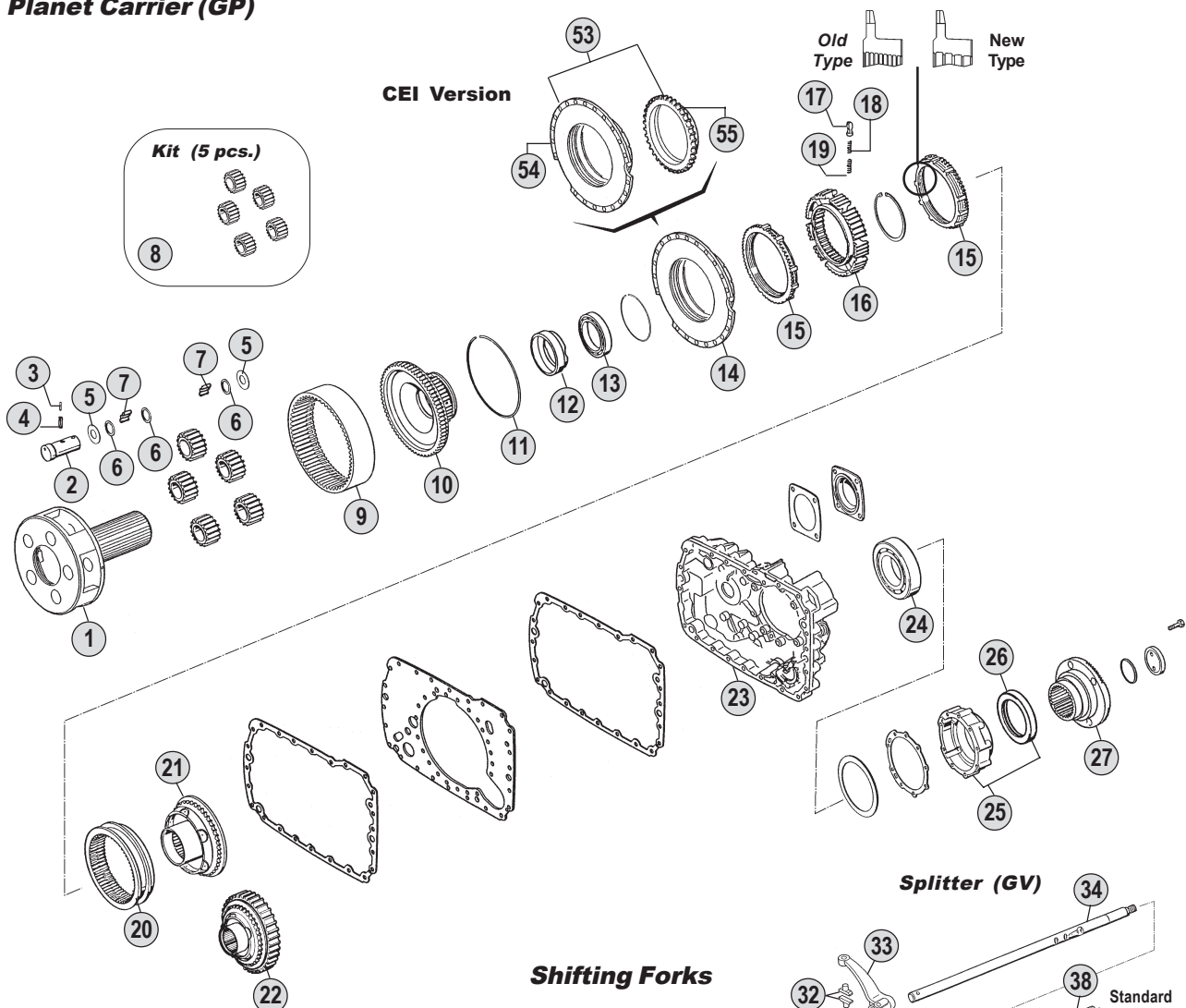




Suitable To : **ZF**

**16S151 - 16S221**

**Planet Carrier (GP)**



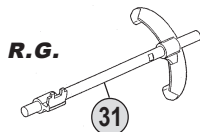
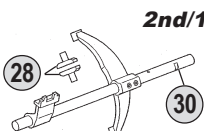
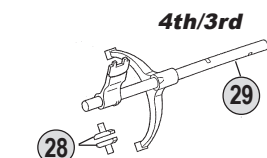
**Springs & Slides Kits**

|               |               |               |
|---------------|---------------|---------------|
| x 3           | x 6           | x 9           |
| x 3           | x 6           | x 9           |
| x 3           | x 6           | x 9           |
| <b>Kit 48</b> | <b>Kit 49</b> | <b>Kit 50</b> |

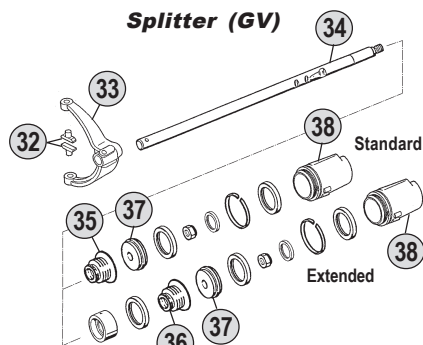
**Kits**



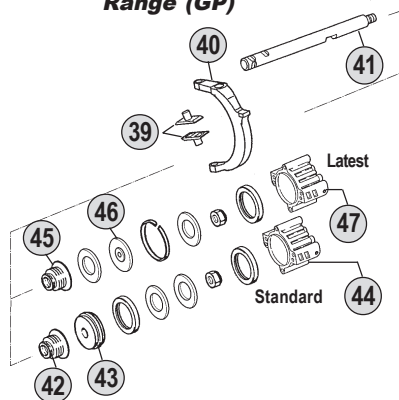
**Shifting Forks**



**Splitter (GV)**



**Range (GP)**



**Ratios**

|               |               |                 |                 |                 |               |
|---------------|---------------|-----------------|-----------------|-----------------|---------------|
| <b>16S151</b> | A: 13,80-0,84 | B: 13,85 - 0,84 | C: 13,86 - 0,84 | D: 16,47 - 1,00 | E: 16,53-1,00 |
| <b>16S221</b> | A: 13,80-0,84 | B: --           | C: 13,86 - 0,84 | D: 16,47 - 1,00 | E: -          |



All original equipment manufacturers' numbers, symbols, pictures, models and description used in this catalogue are for reference only, and it is not implied that any part listed is the product of these manufactures. Tutti i nostri particolari non sono originali ma con essi intercambiabili. I riferimenti originali, le figure, i modelli sono esposti a semplice titolo indicativo. La nostra produzione riporta il nostro marchio.

| Fig. | O.E.M. Reference |              |         | Description                     | Q.ty | Note          | Ratio |               |               |  |  |  |
|------|------------------|--------------|---------|---------------------------------|------|---------------|-------|---------------|---------------|--|--|--|
|      | CEI no.          | ZF no.       | DAF no. |                                 |      |               |       | 16S151 (1315) | 16S221 (1316) |  |  |  |
| 1    | 190.393          | 1296 232 002 | 69079   | Planetary Carrier               | 1    |               | ●     |               |               |  |  |  |
| 1    | 190.392          | 1316 232 006 | 1227031 | Planetary Carrier               | 1    |               | ●     |               |               |  |  |  |
| 2    | 107.164          | 1296 332 005 | 69082   | Planet Shaft                    | 5    |               | ●     |               |               |  |  |  |
| 2    | 107.165          | 1312 332 026 | 1227034 | Planet Shaft                    | 5    |               | ●     |               |               |  |  |  |
| 3    | 160.195          | 0631 329 167 | 1344438 | Lock Pin D.3x26                 | 5    |               | ●     | ●             |               |  |  |  |
| 4    | 160.194          | 0631 329 051 | 1344439 | Lock Pin D.5x26                 | 5    |               | ●     | ●             |               |  |  |  |
| 5    | 169.759          | 0501 308 981 | 69078   | Thrust Washer                   | 10   |               | ●     | ●             |               |  |  |  |
| 6    | 169.744          | 0730 107 168 | 69077   | Spacer Ring                     | 15   |               | ●     | ●             |               |  |  |  |
| 7    | 171.046          | 0735 470 164 | 69081   | Roller D.10x15                  | 140  |               | ●     |               |               |  |  |  |
| 7    | <b>171.062</b>   | 0750 119 116 | 1284246 | Roller D.10x16,8                | 140  |               |       | ●             |               |  |  |  |
| 8    | <b>198.800</b>   | 1313 232 003 | 69096   | Planetary Gear Set (5 pcs)      | 1    |               | ACD   | ●             |               |  |  |  |
| 8    | <b>198.816</b>   | 1315 232 001 |         | Planetary Gear Set (5 pcs)      | 1    |               | BE    | ●             |               |  |  |  |
| 8    | <b>198.801</b>   | 1312 232 014 | 1227032 | Planetary Gear Set (5 pcs)      | 1    |               |       | ●             |               |  |  |  |
| 9    | <b>123.208</b>   | 1295 332 086 | 69091   | Crown Gear 86 T                 | 1    |               | ACD   | ●             |               |  |  |  |
| 9    | <b>123.221</b>   | 1315 332 003 |         | Crown Gear 90 T                 | 1    |               | BE    | ●             |               |  |  |  |
| 9    | <b>123.208</b>   | 1295 332 086 | 69091   | Crown Gear 86 T                 | 1    |               |       | ●             |               |  |  |  |
| 10   | <b>150.133</b>   | 1313 332 020 | 69083   | Flange Gear 86 T                | 1    |               | ACD   | ●             |               |  |  |  |
| 10   | <b>150.140</b>   | 1315 332 002 |         | Flange Gear 90 T                | 1    |               | BE    | ●             |               |  |  |  |
| 10   | <b>150.134</b>   | 1297 332 120 | 1227567 | Flange Gear 86 T                | 1    |               |       | ●             |               |  |  |  |
| 11   | 111.198          | 0730 505 056 | 691340  | Locking Wire                    | 1    |               | ●     | ●             |               |  |  |  |
| 12   |                  | 1297 332 002 | 1300625 | Ring                            | 1    |               | ●     |               |               |  |  |  |
| 13   | 130.310          | 0750 116 165 | 69395   | Bearing D.80x110x16             | 1    |               | ●     |               |               |  |  |  |
| 13   | 130.311          | 0635 338 035 | 1227592 | Bearing D.100x125x13            | 1    |               |       | ●             |               |  |  |  |
| 14   | <b>298.017</b>   | 1315 233 006 | 1307482 | Synchronizer Cone               | 1    |               | ●     | ●             |               |  |  |  |
| 15   | <b>119.085</b>   | 1296 333 022 | 1303708 | Synchronizer Ring               | 2    | Old Type      | ●     | ●             |               |  |  |  |
| 15   | <b>119.172</b>   | 1296 333 045 | 1354113 | Synchronizer Ring               | 2    | New Type      | ●     | ●             |               |  |  |  |
| 16   | <b>157.182</b>   | 1313 333 001 | 69909   | Synchronizer Hub                | 1    |               | ●     |               |               |  |  |  |
| 16   | <b>157.183</b>   | 1297 333 115 | 1227600 | Synchronizer Hub                | 1    |               |       | ●             |               |  |  |  |
| 17   | <b>160.116</b>   | 1240 304 278 | 326962  | Pressure Piece                  | 9    |               | ●     | ●             |               |  |  |  |
| 18   | <b>156.036</b>   | 0732 040 386 | 326964  | Inner Spring De.3x34            | 9    |               | ●     | ●             |               |  |  |  |
| 19   | <b>156.037</b>   | 0732 040 385 | 326963  | Outer Spring De.6x34            | 9    |               | ●     | ●             |               |  |  |  |
| 20   | <b>154.098</b>   | 1296 333 023 | 689814  | Sliding Sleeve                  | 1    |               | ●     | ●             |               |  |  |  |
| 21   | <b>198.374</b>   | 1313 233 001 | 691378  | Synchronizer Cone (38 Spl.)     | 1    |               | ●     |               |               |  |  |  |
| 21   | <b>198.790</b>   | 1297 233 056 | 1228000 | Synchronizer Cone (41 Spl.)     | 1    |               |       | ●             |               |  |  |  |
| 22   | <b>196.353</b>   | 1315 233 023 | 1300629 | Synchronizer Cone 59 T (38 Spl) | 1    | With Retarder | ●     |               |               |  |  |  |
| 22   | <b>196.352</b>   | 1316 233 010 | 1297599 | Synchronizer Cone 59 T (41 Spl) | 1    | With Retarder |       | ●             |               |  |  |  |
| 23   |                  | 1315 301 117 | 1288926 | Housing                         | 1    |               | ●     | ●             |               |  |  |  |
| 23   | 175.242          | 1315 301 223 | 1377421 | Housing                         | 1    |               | ●     | ●             |               |  |  |  |
| 24   | 130.245          | 0750 116 002 | 692184  | Bearing D.90x160x30             | 1    |               | ●     | ●             |               |  |  |  |
| 25   |                  | 1315 231 004 |         | Cover                           | 1    |               | ●     | ●             |               |  |  |  |
| 26   |                  | 0750 111 341 | 1304242 | Oil Seal 105x130x12             | 1    |               | ●     | ●             |               |  |  |  |
| 27   |                  | 1315 338 002 | 1300626 | Output Flange                   | 1    | D.180-4 H.    | ●     |               |               |  |  |  |
| 27   |                  | 1313 338 002 | 1228127 | Output Flange                   | 1    | D.180-4 H.    | ●     |               |               |  |  |  |
| 27   |                  | 1313 338 011 |         | Output Flange                   | 1    | D.204-4 H.    | ●     |               |               |  |  |  |
| 27   |                  | 1315 238 001 |         | Output Flange                   | 1    | D.222-4 H.    | ●     |               |               |  |  |  |

Notes

Date

03 / 2006

Table

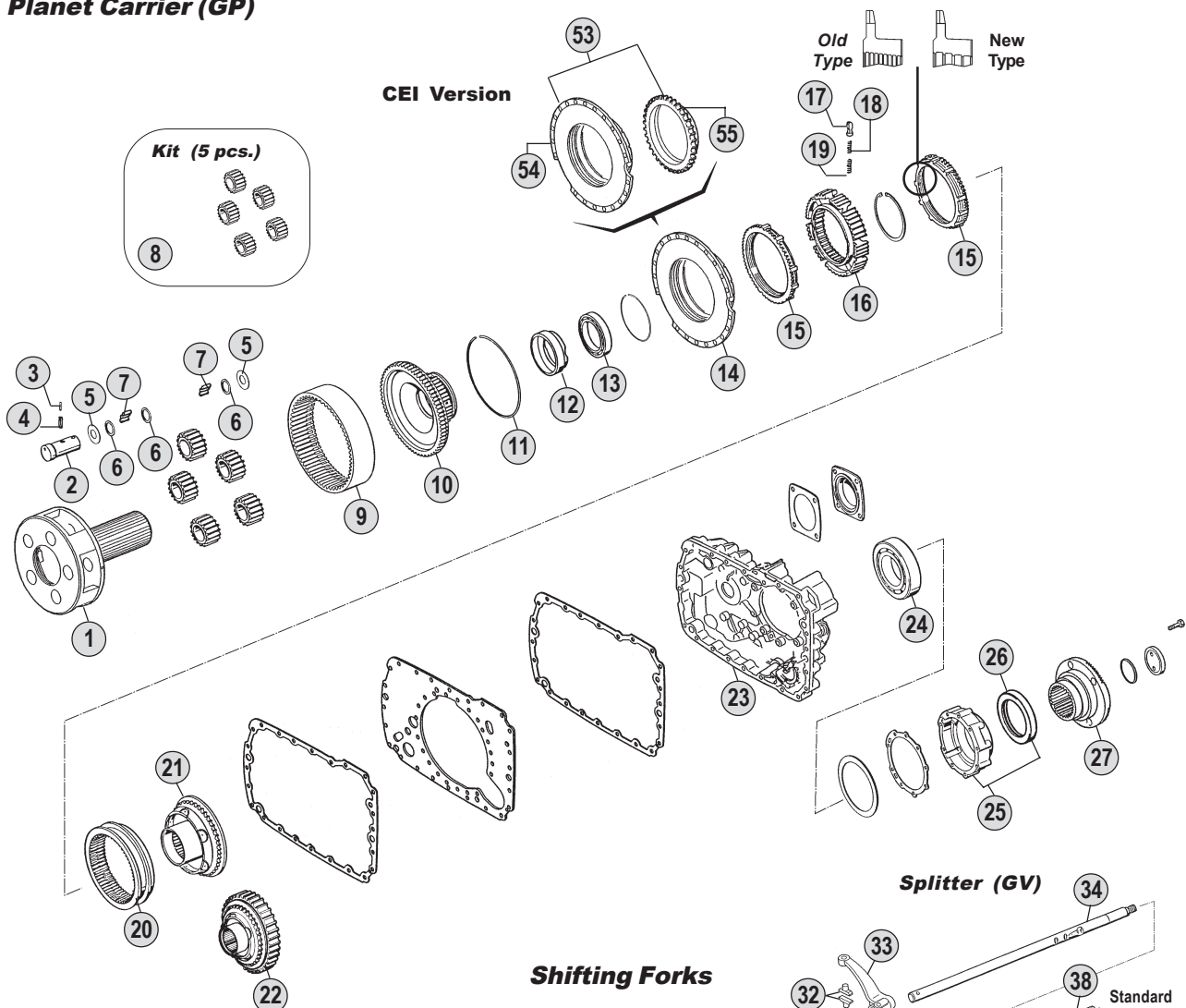
022 / B

All original equipment manufacturers numbers, symbols, pictures, models and description used in this catalogue are for reference only, and it is not implied that any part listed is the product of these manufactures.  
Tutti i nostri particolari non sono originali ma con essi intercambiabili. I riferimenti originali, le figure, i modelli sono esposti a semplice titolo indicativo. La nostra produzione riporta il nostro marchio.

Suitable To : **ZF**

**16S151 - 16S221**

**Planet Carrier (GP)**



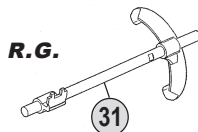
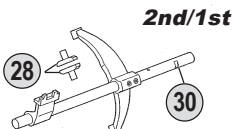
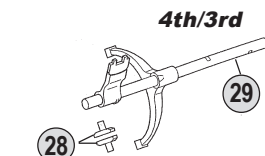
**Springs & Slides Kits**

|               |               |               |
|---------------|---------------|---------------|
| x 3           | x 6           | x 9           |
| x 3           | x 6           | x 9           |
| x 3           | x 6           | x 9           |
| <b>Kit 48</b> | <b>Kit 49</b> | <b>Kit 50</b> |

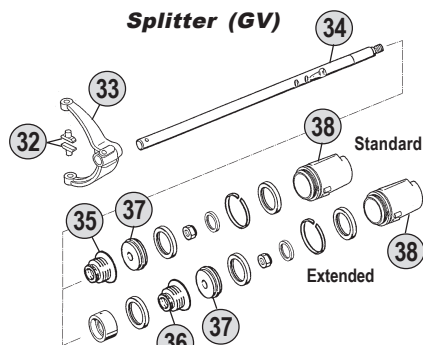
**Kits**



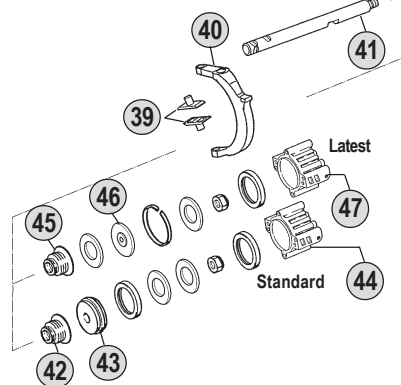
**Shifting Forks**



**Splitter (GV)**



**Range (GP)**



**Ratios**

|               |               |                 |                 |                 |               |
|---------------|---------------|-----------------|-----------------|-----------------|---------------|
| <b>16S151</b> | A: 13,80-0,84 | B: 13,85 - 0,84 | C: 13,86 - 0,84 | D: 16,47 - 1,00 | E: 16,53-1,00 |
| <b>16S221</b> | A: 13,80-0,84 | B: --           | C: 13,86 - 0,84 | D: 16,47 - 1,00 | E: -          |



All original equipment manufacturers' numbers, symbols, pictures, models and description used in this catalogue are for reference only, and it is not implied that any part listed is the product of these manufactures. Tutti i nostri particolari non sono originali ma con essi intercambiabili. I riferimenti originali, le figure, i modelli sono esposti a semplice titolo indicativo. La nostra produzione riporta il nostro marchio.

| Fig. | CEI no. | O.E.M. Reference |         | Description             | Q.ty | Note       | Ratio |   |   |  |  |  |
|------|---------|------------------|---------|-------------------------|------|------------|-------|---|---|--|--|--|
|      |         | ZF no.           | DAF no. |                         |      |            |       |   |   |  |  |  |
| 27   |         | 1297 333 110     | 1227595 | Output Flange           | 1    | D.180-4.H. |       | ● |   |  |  |  |
| 27   |         | 1316 338 002     | 1297598 | Output Flange           | 1    | D.180-4.H. |       | ● |   |  |  |  |
| 27   |         | 1312 333 018     |         | Output Flange           | 1    | D.200-4.H. |       | ● |   |  |  |  |
| 27   |         | 1316 338 003     |         | Output Flange           | 1    | D.200-4.H. |       | ● |   |  |  |  |
| 28   | 141.163 | 1297 306 120     | 66379   | Slide                   | 2    | Old Type   |       | ● | ● |  |  |  |
| 28   | 141.168 | 1316 306 015     | 1604637 | Slide                   | 2    | New Type   |       | ● | ● |  |  |  |
| 29   |         | 1315 206 013     | 1290975 | Fork                    | 1    | Old Type   |       | ● |   |  |  |  |
| 29   |         | 1315 206 055     |         | Fork                    | 1    | New Type   |       | ● |   |  |  |  |
| 29   |         | 1315 206 024     |         | Fork                    | 1    | Old Type   |       | ● |   |  |  |  |
| 29   |         | 1315 206 056     |         | Fork                    | 1    | New Type   |       | ● |   |  |  |  |
| 29   |         | 1316 206 018     | 1295207 | Fork                    | 1    | Old Type   |       |   | ● |  |  |  |
| 29   |         | 1316 206 037     |         | Fork                    | 1    | New Type   |       |   | ● |  |  |  |
| 29   |         | 1316 206 017     |         | Fork                    | 1    | Old Type   |       |   | ● |  |  |  |
| 29   |         | 1316 206 038     |         | Fork                    | 1    | New Type   |       |   | ● |  |  |  |
| 30   |         | 1315 206 046     | 1317301 | Fork                    | 1    | Old Type   |       | ● |   |  |  |  |
| 30   |         | 1315 206 052     |         | Fork                    | 1    | New Type   |       | ● |   |  |  |  |
| 30   |         | 1315 206 047     |         | Fork                    | 1    | Old Type   |       | ● |   |  |  |  |
| 30   |         | 1315 206 053     |         | Fork                    | 1    | New Type   |       | ● |   |  |  |  |
| 30   |         | 1316 206 025     | 1317309 | Fork                    | 1    | Old Type   |       |   | ● |  |  |  |
| 30   |         | 1316 206 033     |         | Fork                    | 1    | New Type   |       |   | ● |  |  |  |
| 30   |         | 1316 206 026     |         | Fork                    | 1    | Old Type   |       |   | ● |  |  |  |
| 30   |         | 1316 206 034     |         | Fork                    | 1    | New Type   |       |   | ● |  |  |  |
| 30   |         | 1316 206 027     |         | Fork                    | 1    | Old Type   |       |   | ● |  |  |  |
| 30   |         | 1316 206 035     |         | Fork                    | 1    | New Type   |       |   | ● |  |  |  |
| 31   |         | 1315 206 003     |         | Fork                    | 1    |            |       | ● |   |  |  |  |
| 31   |         | 1315 206 023     | 1290976 | Fork                    | 1    |            |       | ● |   |  |  |  |
| 31   |         | 1316 206 013     | 1295208 | Fork                    | 1    |            |       |   | ● |  |  |  |
| 31   |         | 1316 206 014     |         | Fork                    | 1    |            |       |   | ● |  |  |  |
| 32   | 141.163 | 1297 306 120     | 66379   | Slide                   | 2    | Old Type   |       | ● | ● |  |  |  |
| 32   | 141.168 | 1316 306 015     | 1604637 | Slide                   | 2    | New Type   |       | ● | ● |  |  |  |
| 33   |         | 1315 312 017     | 1291083 | Fork                    | 1    | Old Type   |       | ● | ● |  |  |  |
| 33   |         | 1315 312 074     |         | Fork                    | 1    | New Type   |       | ● | ● |  |  |  |
| 34   |         | 1315 312 049     | 1313722 | Rod                     | 1    | Standard   |       | ● |   |  |  |  |
| 34   |         | 1315 312 022     | 1291082 | Rod                     | 1    | Extended   |       | ● |   |  |  |  |
| 34   |         | 1316 312 016     | 1343551 | Rod                     | 1    | Standard   |       |   | ● |  |  |  |
| 34   |         | 1316 312 008     | 1295231 | Rod                     | 1    | Extended   |       |   | ● |  |  |  |
| 35   |         | 0750 112 131     | 1295232 | Cap Collar D.25x40x15   | 1    | Standard   |       | ● | ● |  |  |  |
| 36   | 139.331 | 0750 112 034     | 692237  | Cap Collar D.25x38x14,2 | 1    | Extended   |       | ● | ● |  |  |  |
| 37   |         | 1315 312 020     | 1291085 | Piston                  | 1    |            |       | ● | ● |  |  |  |
| 38   |         | 1315 312 048     | 1317307 | Cylinder                | 1    |            |       | ● |   |  |  |  |
| 38   |         | 1316 312 015     | 1317310 | Cylinder                | 1    |            |       |   | ● |  |  |  |
| 39   | 141.085 | 1296 334 004     | 692175  | Bronze Slide            | 2    |            |       | ● | ● |  |  |  |
| 40   |         | 1315 334 039     | 1330407 | Fork                    | 1    |            |       | ● | ● |  |  |  |
| 41   |         | 1315 334 058     | 1291001 | Rod                     | 1    |            |       | ● |   |  |  |  |
| 41   |         | 1316 334 010     | 1442292 | Rod                     | 1    |            |       |   | ● |  |  |  |

Notes

Date

03 / 2006

Table

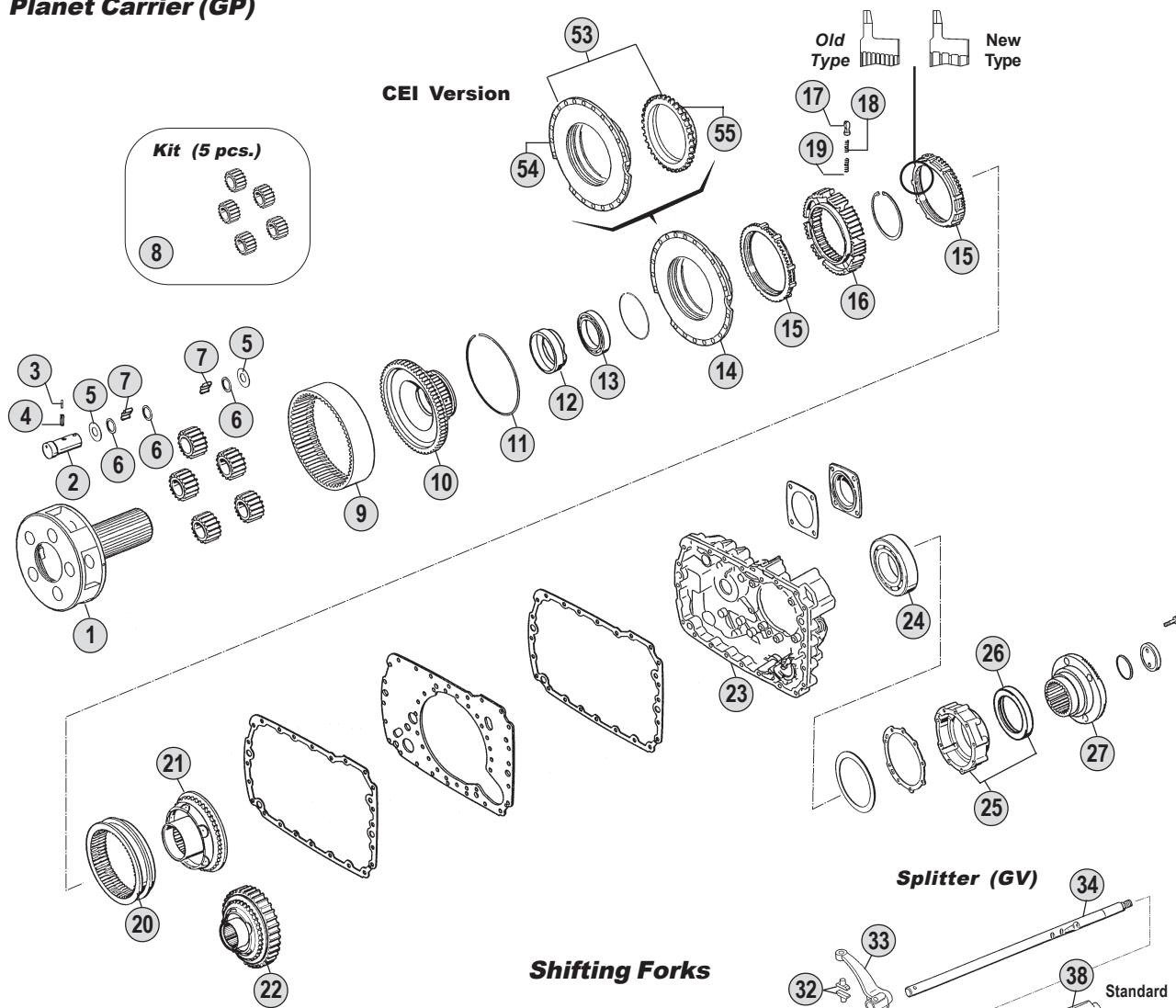
022 / B

All original equipment manufacturers numbers, symbols, pictures, models and description used in this catalogue are for reference only, and it is not implied that any part listed is the product of these manufactures.  
Tutti i nostri particolari non sono originali ma con essi intercambiabili. I riferimenti originali, le figure, i modelli sono esposti a semplice titolo indicativo. La nostra produzione riporta il nostro marchio.

Suitable To : **ZF**

**16S151 - 16S221**

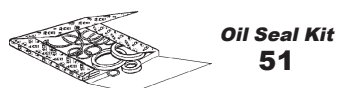
**Planet Carrier (GP)**



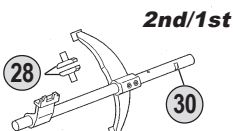
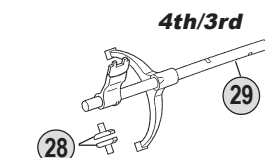
**Springs & Slides Kits**

|               |               |               |
|---------------|---------------|---------------|
| x 3           | x 6           | x 9           |
| x 3           | x 6           | x 9           |
| x 3           | x 6           | x 9           |
| <b>Kit 48</b> | <b>Kit 49</b> | <b>Kit 50</b> |

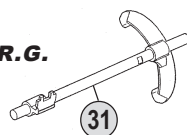
**Kits**



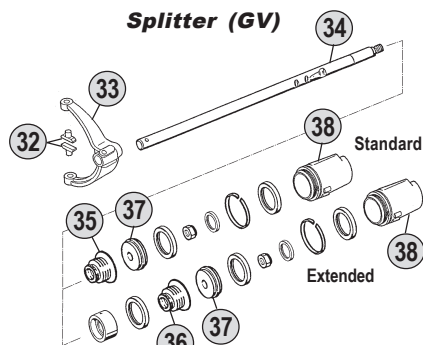
**Shifting Forks**



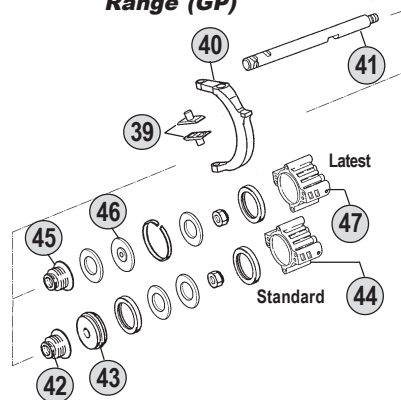
**R.G.**



**Splitter (GV)**



**Range (GP)**



**Ratios**

|               |               |                 |                 |                 |               |
|---------------|---------------|-----------------|-----------------|-----------------|---------------|
| <b>16S151</b> | A: 13,80-0,84 | B: 13,85 - 0,84 | C: 13,86 - 0,84 | D: 16,47 - 1,00 | E: 16,53-1,00 |
| <b>16S221</b> | A: 13,80-0,84 | B: --           | C: 13,86 - 0,84 | D: 16,47 - 1,00 | E: -          |





suitable to :

**Z.F.****EcoSplit III****From 16S151 to 16S251****Planetary Gear with HELICAL TEETH****Application**

|                 | <b>16S151</b> | <b>16S181</b> | <b>16S221</b> | <b>16S251</b> |
|-----------------|---------------|---------------|---------------|---------------|
|                 | (1315)        | (1316)        | (1316)        | (1316)        |
| <b>MERCEDES</b> |               |               |               |               |
| <b>MAN</b>      |               |               |               |               |
| <b>IVECO</b>    |               |               |               |               |
| <b>RVI</b>      |               |               |               |               |
| <b>DAF</b>      |               |               |               |               |
| <b>VOLVO</b>    |               |               |               |               |

**Ratios**

|               | <b>R.13,74-0,84</b> | <b>R.13,80-0,84</b> | <b>R.16,41-1,00</b> |  |  |
|---------------|---------------------|---------------------|---------------------|--|--|
|               | <b>A</b>            | <b>B</b>            | <b>C</b>            |  |  |
| <b>16S151</b> |                     |                     |                     |  |  |
| <b>16S181</b> |                     |                     |                     |  |  |
| <b>16S221</b> |                     |                     |                     |  |  |
| <b>16S251</b> |                     |                     |                     |  |  |

All original equipment manufacturers numbers, symbols, pictures, models and description used in this catalogue are for reference only, and it is not implied that any part listed is the product of these manufactures. Tutti i nostri particolari non sono originali ma con essi intercambiabili. I riferimenti originali, le figure, i modelli sono esposti a semplice titolo indicativo. La nostra produzione riporta il nostro marchio.

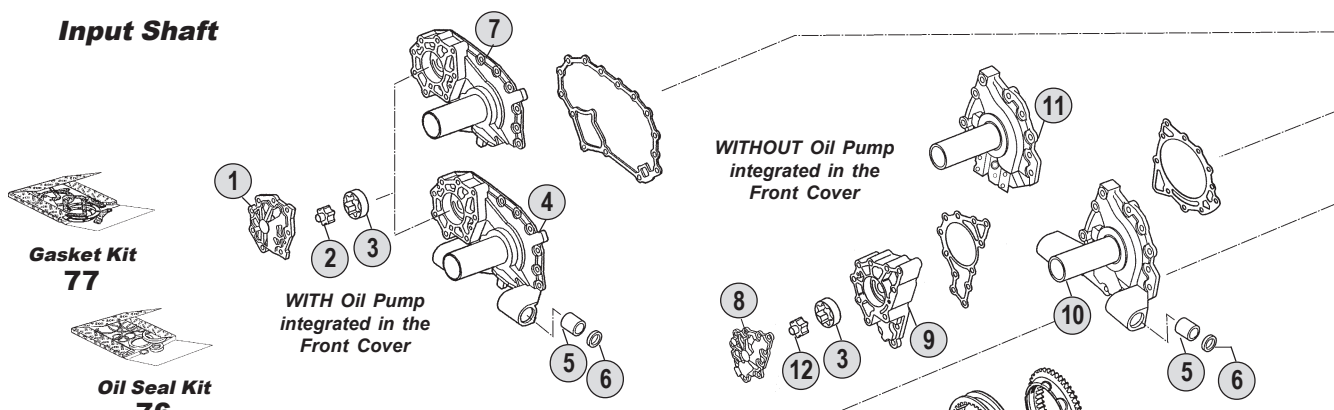
**ECO III**  
From 16S151  
To 16S251



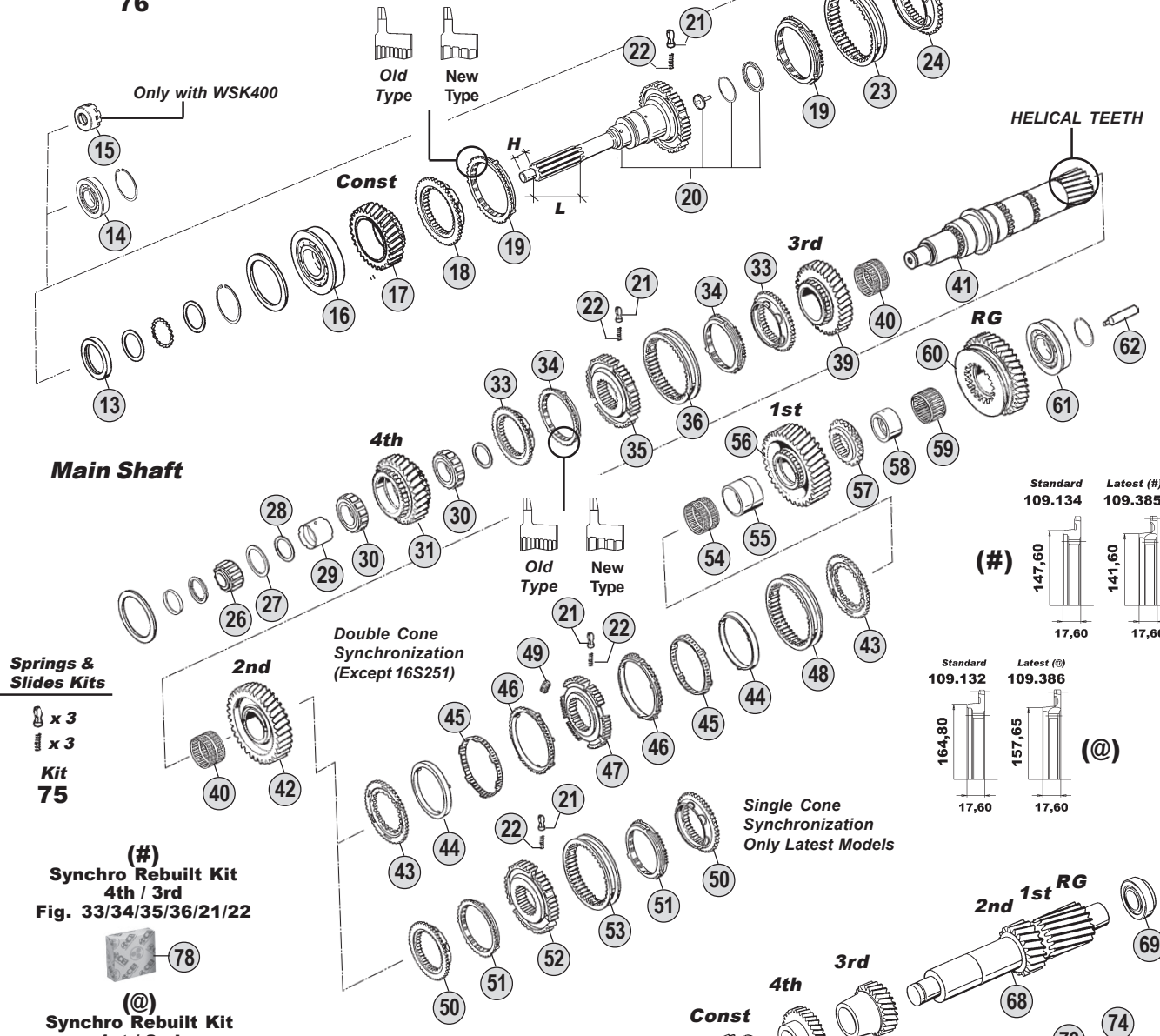
Suitable To : **ZF**

**16S151 - 16S181 - 16S221 - 16S251**

**Input Shaft**



**Main Shaft**

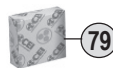


**Springs & Slides Kits**  
 x 3  
 x 3  
**Kit 75**

(#)  
**Synchro Rebuilt Kit**  
 4th / 3rd  
 Fig. 33/34/35/36/21/22



(@)  
**Synchro Rebuilt Kit**  
 1st / 2nd  
 Fig. 50/51/52/53/21/22



**Countershaft & Reverse Shaft**

**Ratios**

|        |               |                 |                 |       |       |
|--------|---------------|-----------------|-----------------|-------|-------|
| 16S151 | A: 13,74-0,84 | B: 13,80 - 0,84 | C: 16,41 - 1,00 | D: -- | E: -- |
| 16S181 | A: --         | B: 13,80 - 0,84 | C: 16,41 - 1,00 | D: -- | E: -- |
| 16S221 | A: 13,74-0,84 | B: 13,80 - 0,84 | C: 16,41 - 1,00 | D: -- | E: -- |
| 16S251 | A: --         | B: 13,80 - 0,84 | C: --           | D: -- | E: -- |



All original equipment manufacturers' numbers, symbols, pictures, models and description used in this catalogue are for reference only, and it is not implied that any part listed is the product of these manufactures. Tutti i nostri particolari non sono originali ma con essi intercambiabili. I riferimenti originali, le figure, i modelli sono esposti a semplice titolo indicativo. La nostra produzione riporta il nostro marchio.

16S151 (1315)  
16S181 (1316)  
16S221 (1316)  
16S251 (1316)

| Fig. | CEI no. | O.E.M. Reference |         | Description            | Q.ty | Note                 | Ratio |               |               |               |               |  |
|------|---------|------------------|---------|------------------------|------|----------------------|-------|---------------|---------------|---------------|---------------|--|
|      |         | ZF no.           | DAF no. |                        |      |                      |       | 16S151 (1315) | 16S181 (1316) | 16S221 (1316) | 16S251 (1316) |  |
| 1    |         | 1315 302 013     |         | Cover                  | 1    |                      |       | ●             | ●             |               |               |  |
| 2    |         | 1315 202 014     | 1290961 | Rotor                  | 1    |                      |       | ●             | ●             |               |               |  |
| 3    |         | 1315 303 027     | 1290962 | Oil Pump Housing       | 1    |                      |       | ●             | ●             | ●             | ●             |  |
| 4    |         | 1315 302 057     |         | Front Cover            | 1    |                      |       | ●             |               | ●             |               |  |
| 5    |         | 0730 260 398     |         | Bush                   | 4    |                      |       | ●             | ●             | ●             | ●             |  |
| 6    |         | 0501 312 738     |         | Oil Seal 30x37x4       | 4    |                      |       | ●             | ●             | ●             | ●             |  |
| 7    |         | 1315 302 045     |         | Front Cover            | 1    |                      |       | ●             |               | ●             |               |  |
| 7    |         | 1315 302 047     | 1290959 | Front Cover            | 1    |                      |       | ●             |               | ●             |               |  |
| 8    |         | 1315 302 120     | 1326337 | Cover                  | 1    |                      |       | ●             | ●             | ●             | ●             |  |
| 9    |         | 1315 302 121     | 1326911 | Housing                | 1    |                      |       | ●             | ●             | ●             | ●             |  |
| 10   |         | 1315 202 055     |         | Front Cover            | 1    |                      |       | ●             | ●             | ●             |               |  |
| 10   |         | 1315 202 058     |         | Front Cover            | 1    |                      |       | ●             |               | ●             |               |  |
| 10   |         | 1315 202 061     |         | Front Cover            | 1    |                      |       | ●             |               | ●             |               |  |
| 10   |         | 1315 202 065     |         | Front Cover            | 1    |                      |       | ●             |               | ●             | ●             |  |
| 10   |         | 1315 202 060     |         | Front Cover            | 1    | With WSK400          |       | ●             |               | ●             |               |  |
| 11   |         | 1315 302 075     | 1295188 | Front Cover            | 1    |                      |       | ●             | ●             | ●             |               |  |
| 11   |         | 1315 302 136     |         | Front Cover            | 1    |                      |       | ●             | ●             | ●             |               |  |
| 12   |         | 1314 202 039     | 1317298 | Rotor                  | 1    |                      |       | ●             | ●             | ●             | ●             |  |
| 13   | 139.754 | 0734 310 386     | 1360734 | Oil Seal 55x75x8       | 1    |                      |       | ●             | ●             | ●             | ●             |  |
| 13   |         | 0734 310 104     | 1296692 | Oil Seal 52x68x8       | 1    | (1)                  |       | ●             |               | ●             |               |  |
| 13   |         | 0734 319 514     | 1342789 | Oil Seal 52x72x8       | 1    | (2)                  |       | ●             | ●             | ●             |               |  |
| 14   |         | 0635 450 098     | 69369   | Bearing 52x90x33       | 1    | (2)                  |       | ●             | ●             | ●             |               |  |
| 15   |         | 4130 309 063     |         | Disk                   | 1    | (1)                  |       | ●             |               | ●             |               |  |
| 16   | 130.518 | 0750 117 732     | 1344264 | Bearing D.85x150x30,50 | 1    |                      |       | ●             | ●             | ●             | ●             |  |
| 17   | 145.513 | 1315 302 173     | 1344263 | Constant Gear 34 T     | 1    |                      | A     | ●             |               |               |               |  |
| 17   | 145.556 | 1315 302 158     |         | Constant Gear 35 T     | 1    |                      | B     | ●             |               |               |               |  |
| 17   | 145.553 | 1315 302 157     | 1344262 | Constant Gear 30 T     | 1    |                      | C     | ●             |               |               |               |  |
| 17   | 145.561 | 1316 302 057     | 1340225 | Constant gear 35 T     | 1    |                      | B     |               | ●             |               |               |  |
| 17   | 145.483 | 1316 302 066     | 1369642 | Constant Gear 30 T     | 1    |                      | C     |               | ●             |               |               |  |
| 17   | 145.487 | 1316 302 065     | 1344616 | Constant Gear 34 T     | 1    |                      | A     |               |               | ●             |               |  |
| 17   | 145.554 | 1316 302 067     | 1394364 | Constant Gear 35 T     | 1    |                      | B     |               |               | ●             | ●             |  |
| 17   | 145.483 | 1316 302 066     | 1369642 | Constant Gear 30 T     | 1    |                      | C     |               |               | ●             | ●             |  |
| 18   | 109.134 | 1312 304 027     | 69584   | Synchronizer Cone      | 1    |                      |       | ●             | ●             | ●             | ●             |  |
| 19   | 119.119 | 1297 304 402     | 66373   | Synchronizer Ring      | 2    | Old Type             |       | ●             | ●             | ●             | ●             |  |
| 19   | 119.167 | 1297 304 484     | 1342731 | Synchronizer Ring      | 2    | New Type             |       | ●             | ●             | ●             | ●             |  |
| 20   | 190.304 | 1315 202 037     | 1373772 | Input Shaft            | 1    | L=125 H=31,5         |       | ●             |               |               |               |  |
| 20   | 190.315 | 1315 202 040     |         | Input Shaft            | 1    | L=102 H=32           |       | ●             |               |               |               |  |
| 20   |         | 1315 202 048     |         | Input Shaft            | 1    | With WSK400          |       | ●             |               |               |               |  |
| 20   | 190.317 | 1315 221 002     | 1344258 | Input Shaft            | 1    | NMV221 (Clutch PTO)  |       | ●             |               |               |               |  |
| 20   | 190.303 | 1316 202 025     | 1369129 | Input Shaft            | 1    | L=134 H=32           |       |               | ●             | ●             | ●             |  |
| 20   | 190.300 | 1316 202 026     |         | Input Shaft            | 1    |                      |       |               | ●             | ●             |               |  |
| 20   | 190.310 | 1316 202 033     |         | Input Shaft            | 1    | L=63 H=46,5 / WSK400 |       |               |               | ●             |               |  |
| 20   |         | 1316 202 038     |         | Input Shaft            | 1    |                      |       |               | ●             | ●             |               |  |
| 20   |         | 1316 221 017     | 1344615 | Input Shaft            | 1    | NMV221 (Clutch PTO)  |       |               | ●             | ●             |               |  |
| 21   | 160.189 | 1297 304 436     | 68332   | Pressure Piece         | 3    |                      |       | ●             | ●             | ●             | ●             |  |

## Notes

- (1) Only for Input S. 1315 202 048-1316 202 033 (2) Only for Input S. 1315 221 002-1316 221 017  
 (3) Old Type. Replaced by 1 pc. fig. 73 + 1 pc. fig. 74  
 (\*) New Models only. Do NO MIX Single Cone Synchro. with Double Cone Synchro.  
 (#) Latest Synchro gen. DO NO MIX the two different version. To update the previous one use the synchro rebuilt kit fig. 79  
 (@) Latest Synchro gen. DO NO MIX the two different version. To update the previous one use the synchro rebuilt kit fig. 80

## Date

03 / 2006

## Table

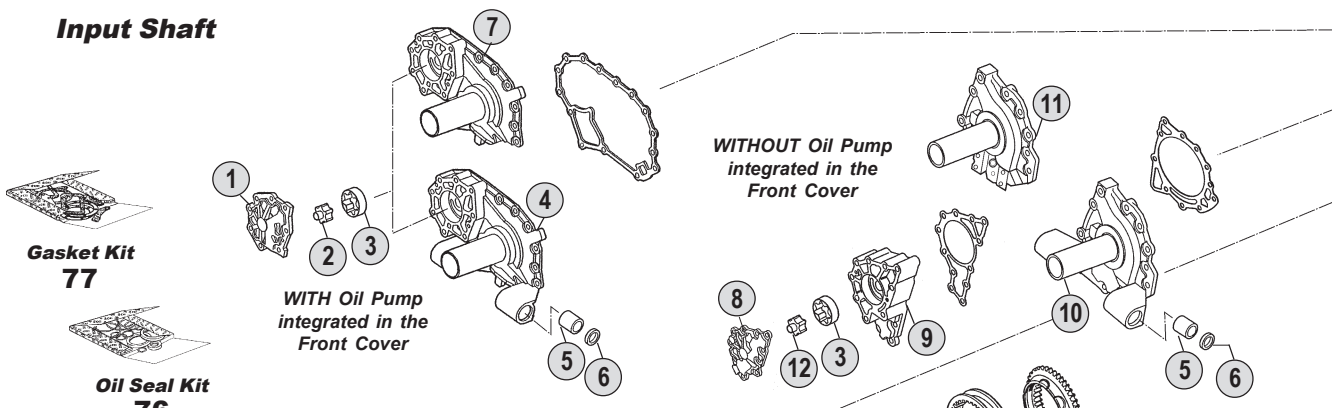
023 / A

All original equipment manufacturers' numbers, symbols, pictures, models and description used in this catalogue are for reference only, and it is not implied that any part listed is the product of these manufacturers.  
 Tutti i nostri particolari non sono originali ma con essi intercambiabili. I riferimenti originali, le figure, i modelli sono esposti a semplice titolo indicativo. La nostra produzione riporta il nostro marchio.

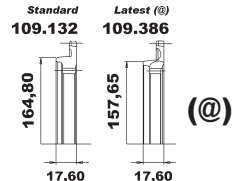
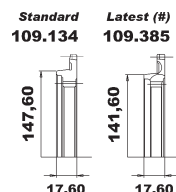
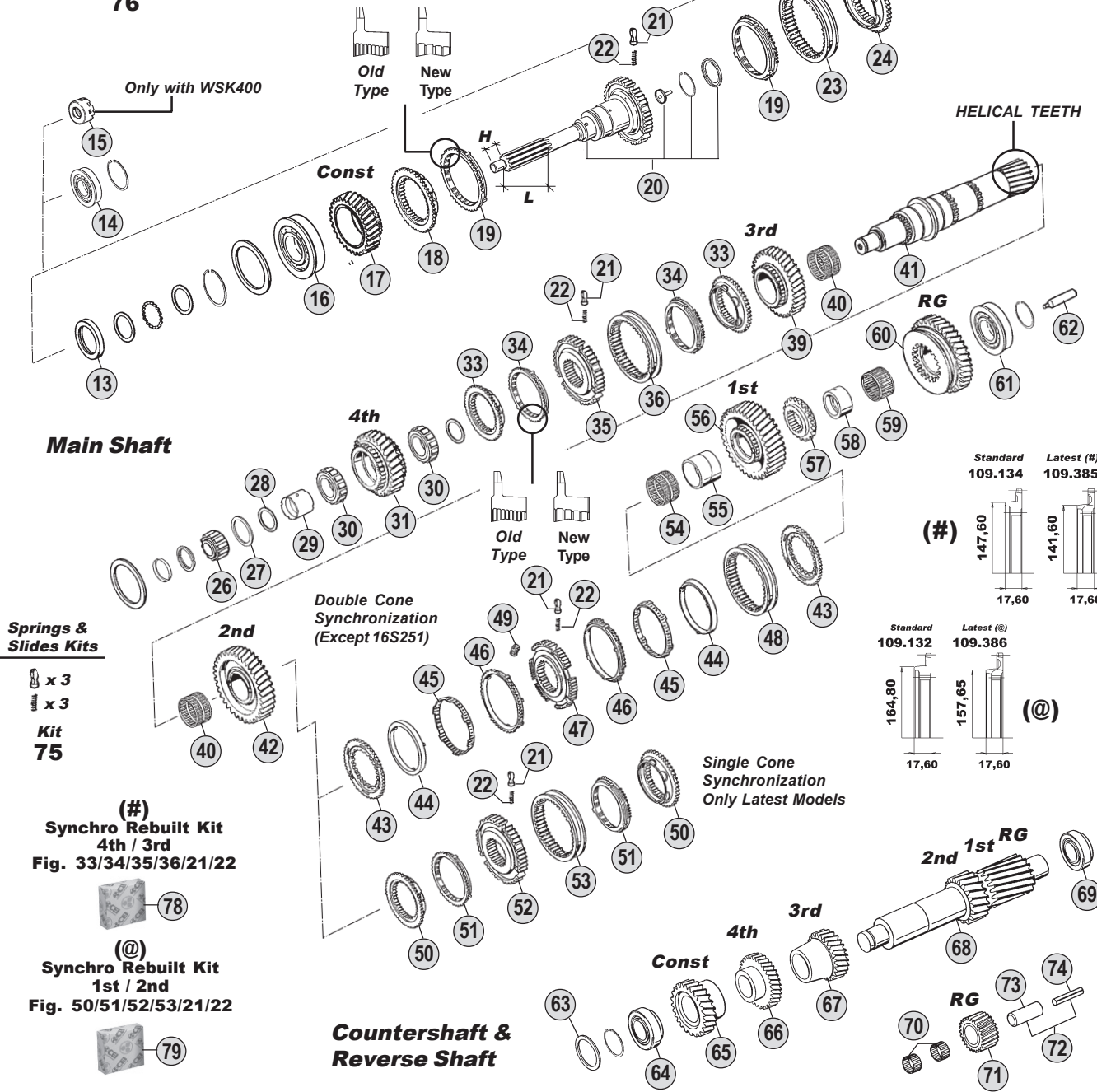
Suitable To : **ZF**

**16S151 - 16S181 - 16S221 - 16S251**

**Input Shaft**



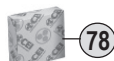
**Main Shaft**



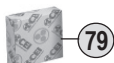
**Springs & Slides Kits**

x 3  
x 3  
**Kit 75**

(#)  
**Synchro Rebuilt Kit**  
4th / 3rd  
Fig. 33/34/35/36/21/22



(@)  
**Synchro Rebuilt Kit**  
1st / 2nd  
Fig. 50/51/52/53/21/22



**Countershaft & Reverse Shaft**

**Ratios**

|        |               |                 |                 |       |       |
|--------|---------------|-----------------|-----------------|-------|-------|
| 16S151 | A: 13,74-0,84 | B: 13,80 - 0,84 | C: 16,41 - 1,00 | D: -- | E: -- |
| 16S181 | A: --         | B: 13,80 - 0,84 | C: 16,41 - 1,00 | D: -- | E: -- |
| 16S221 | A: 13,74-0,84 | B: 13,80 - 0,84 | C: 16,41 - 1,00 | D: -- | E: -- |
| 16S251 | A: --         | B: 13,80 - 0,84 | C: --           | D: -- | E: -- |



All original equipment manufacturers' numbers, symbols, pictures, models and description used in this catalogue are for reference only, and it is not implied that any part listed is the product of these manufactures. Tutti i nostri particolari non sono originali ma con essi intercambiabili. I riferimenti originali, le figure, i modelli sono esposti a semplice titolo indicativo. La nostra produzione riporta il nostro marchio.

16S151 (1315)  
16S181 (1316)  
16S221 (1316)  
16S251 (1316)

| Fig. | CEI no. | O.E.M. Reference |         | Description             | Q.ty | Note      | Ratio |               |               |               |               |  |  |
|------|---------|------------------|---------|-------------------------|------|-----------|-------|---------------|---------------|---------------|---------------|--|--|
|      |         | ZF no.           | DAF no. |                         |      |           |       | 16S151 (1315) | 16S181 (1316) | 16S221 (1316) | 16S251 (1316) |  |  |
| 22   | 156.140 | 0732 040 409     | 171349  | Spring D.6,50x23,50     | 3    |           |       | ●             | ●             | ●             | ●             |  |  |
| 23   | 154.135 | 1310 304 202     | 1377181 | Sliding Sleeve          | 1    |           |       | ●             | ●             | ●             | ●             |  |  |
| 24   | 109.133 | 1312 304 056     | 69561   | Synchronizer Cone       | 1    |           |       | ●             | ●             | ●             | ●             |  |  |
| 26   | 137.150 | 0750 117 232     | 69589   | Roller Cage D.42x40,30  | 1    |           |       | ●             | ●             | ●             | ●             |  |  |
| 27   |         | 1315 304 048     | 1339813 | Ring                    | 1    | S.8,00 mm |       | ●             | ●             | ●             | ●             |  |  |
| 27   |         | 1315 304 043     |         | Ring                    | 1    | S.7,50 mm |       | ●             | ●             | ●             | ●             |  |  |
| 28   | 169.776 | 0750 101 158     | 1392338 | Thrust Washer 81,5x5    | 1    |           |       | ●             | ●             | ●             | ●             |  |  |
| 29   | 117.321 | 0750 119 125     |         | Bush 67x77x54,1         | 1    |           |       | ●             |               |               |               |  |  |
| 29   | 117.320 | 0750 119 124     | 1394366 | Bush D.67x77x66,10      | 1    |           |       |               | ●             | ●             | ●             |  |  |
| 30   | 137.164 | 0750 115 534     | 1394631 | Roller Cage 77x101x29   | 2    |           |       | ●             |               |               |               |  |  |
| 30   | 137.136 | 0750 115 531     | 1392339 | Roller Cage D.77x101x29 | 2    |           |       |               | ●             | ●             | ●             |  |  |
| 31   | 146.431 | 1315 304 017     | 1291081 | Gear 4th Speed 30 T     | 1    |           | A     | ●             |               |               |               |  |  |
| 31   | 146.320 | 1315 304 089     | 1350862 | Gear 4th Speed 32 T     | 1    |           | BC    | ●             |               |               |               |  |  |
| 31   | 146.410 | 1316 304 007     | 1300654 | Gear 4th Speed 30 T     | 1    |           | A     |               |               | ●             |               |  |  |
| 31   | 146.401 | 1316 304 103     | 1330831 | Gear 4th Speed 32 T     | 1    |           | BC    |               | ●             | ●             | ●             |  |  |
| 33   | 109.134 | 1312 304 027     | 69584   | Synchronizer Cone       | 2    |           |       | ●             | ●             | ●             | ●             |  |  |
| 33   | 109.385 | 1316 304 159     |         | Synchronizer Cone       | 2    |           | (#)   | ●             | ●             | ●             | ●             |  |  |
| 34   | 119.119 | 1297 304 402     | 66373   | Synchronizer Ring       | 2    | Old Type  |       | ●             | ●             | ●             | ●             |  |  |
| 34   | 119.167 | 1297 304 484     | 1342731 | Synchronizer Ring       | 2    | New Type  |       | ●             | ●             | ●             | ●             |  |  |
| 34   | 119.217 | 1316 304 149     |         | Synchronizer Ring       | 2    |           | (#)   | ●             | ●             | ●             | ●             |  |  |
| 35   | 157.180 | 1312 304 052     | 69585   | Synchronizer Hub        | 1    |           |       | ●             | ●             | ●             | ●             |  |  |
| 35   | 157.227 | 1316 304 162     |         | Synchronizer Hub        | 1    |           | (#)   | ●             | ●             | ●             | ●             |  |  |
| 36   | 154.135 | 1310 304 202     | 1377181 | Sliding Sleeve          | 1    |           |       | ●             | ●             | ●             | ●             |  |  |
| 36   | 154.357 | 1315 304 135     |         | Sliding Sleeve          | 1    |           | (#)   | ●             | ●             | ●             | ●             |  |  |
| 39   | 145.514 | 1315 304 028     | 1291080 | Gear 3rd Speed 32 T     | 1    |           | A     | ●             |               |               |               |  |  |
| 39   | 145.456 | 1315 304 027     | 1290972 | Gear 3rd Speed 34 T     | 1    |           | BC    | ●             |               |               |               |  |  |
| 39   | 145.484 | 1316 304 094     | 1330830 | Gear 3rd Speed 34 T     | 1    |           | BC    |               | ●             |               |               |  |  |
| 39   | 145.488 | 1316 304 009     | 1300653 | Gear 3rd Speed 32 T     | 1    |           | A     |               |               | ●             |               |  |  |
| 39   | 145.473 | 1316 304 008     | 1295201 | Gear 3rd Speed 34 T     | 1    |           | BC    |               |               | ●             |               |  |  |
| 39   | 145.555 | 1316 304 066     |         | Gear 3rd Speed 34 T     | 1    |           | B     |               |               |               | ●             |  |  |
| 40   | 137.137 | 0735 321 087     | 69568   | Needle Cage D.92x100x53 | 2    |           |       | ●             |               |               |               |  |  |
| 40   | 137.138 | 0750 115 303     | 1227002 | Needle Cage D.92x100x63 | 2    |           |       |               | ●             | ●             | ●             |  |  |
| 41   | 103.138 | 1315 304 131     | 1395354 | Main Shaft              | 1    |           |       | ●             |               |               |               |  |  |
| 41   | 103.130 | 1316 304 132     | 1395314 | Main Shaft              | 1    |           |       |               | ●             | ●             |               |  |  |
| 41   | 103.143 | 1316 304 131     |         | Main Shaft              | 1    |           |       |               |               |               | ●             |  |  |
| 42   | 145.455 | 1315 304 026     | 1291077 | Gear 2nd Speed 37 T     | 1    |           | A     | ●             |               |               |               |  |  |
| 42   | 145.454 | 1315 304 025     | 1290968 | Gear 2nd Speed 38 T     | 1    |           | BC    | ●             |               |               |               |  |  |
| 42   | 145.515 | 1316 304 003     | 1300650 | Gear 2nd Speed 37 T     | 1    |           | A     |               |               | ●             |               |  |  |
| 42   | 145.474 | 1316 304 002     | 1295197 | Gear 2nd Speed 38 T     | 1    |           | BC    |               | ●             | ●             | ●             |  |  |
| 43   | 109.176 | 1312 304 106     | 1227005 | Synchronizer Cone       | 2    |           |       | ●             | ●             | ●             | ●             |  |  |
| 44   | 119.152 | 1268 304 424     | 1227006 | Intermediate Ring       | 2    |           |       | ●             | ●             | ●             | ●             |  |  |
| 45   | 119.153 | 1268 304 494     | 1377179 | Intermediate Cone       | 2    |           |       | ●             | ●             | ●             | ●             |  |  |
| 46   | 119.144 | 1268 304 525     | 1227008 | Synchronizer Ring       | 2    |           |       | ●             | ●             | ●             | ●             |  |  |
| 47   | 157.181 | 1312 304 158     | 1250147 | Synchronizer Hub        | 1    |           |       | ●             | ●             | ●             | ●             |  |  |
| 48   | 154.190 | 1310 304 175     | 1353770 | Sliding Sleeve          | 1    |           |       | ●             | ●             | ●             | ●             |  |  |

## Notes

- (1) Only for Input S. 1315 202 048-1316 202 033 (2) Only for Input S. 1315 221 002-1316 221 017  
 (3) Old Type. Replaced by 1 pc. fig. 73 + 1 pc. fig. 74  
 (\*) New Models only. Do NO MIX Single Cone Synchro. with Double Cone Synchro.  
 (#) Latest Synchro gen. DO NO MIX the two different version. To update the previous one use the synchro rebuilt kit fig. 79  
 (@) Latest Synchro gen. DO NO MIX the two different version. To update the previous one use the synchro rebuilt kit fig. 80

## Date

03 / 2006

## Table

023 / A

All original equipment manufacturers' numbers, symbols, pictures, models and description used in this catalogue are for reference only, and it is not implied that any part listed is the product of these manufacturers.  
 Tutti i nostri particolari non sono originali ma con essi intercambiabili. I riferimenti originali, le figure, i modelli e le descrizioni riportate in questo catalogo sono solo a scopo di riferimento, e non è implicato che qualsiasi parte elencata sia il prodotto di questi produttori. La nostra produzione riporta il nostro marchio.

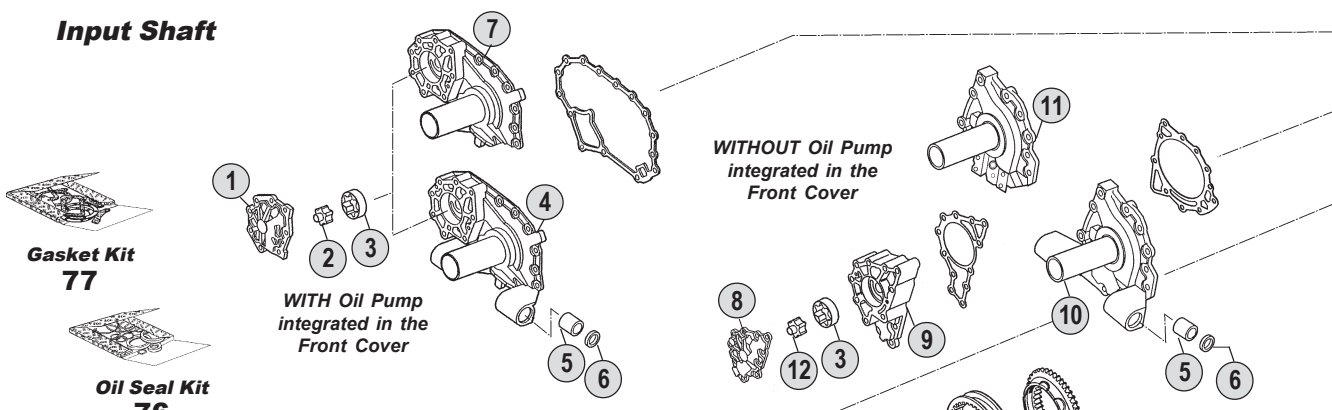


ECO III  
From 16S151  
To 16S251

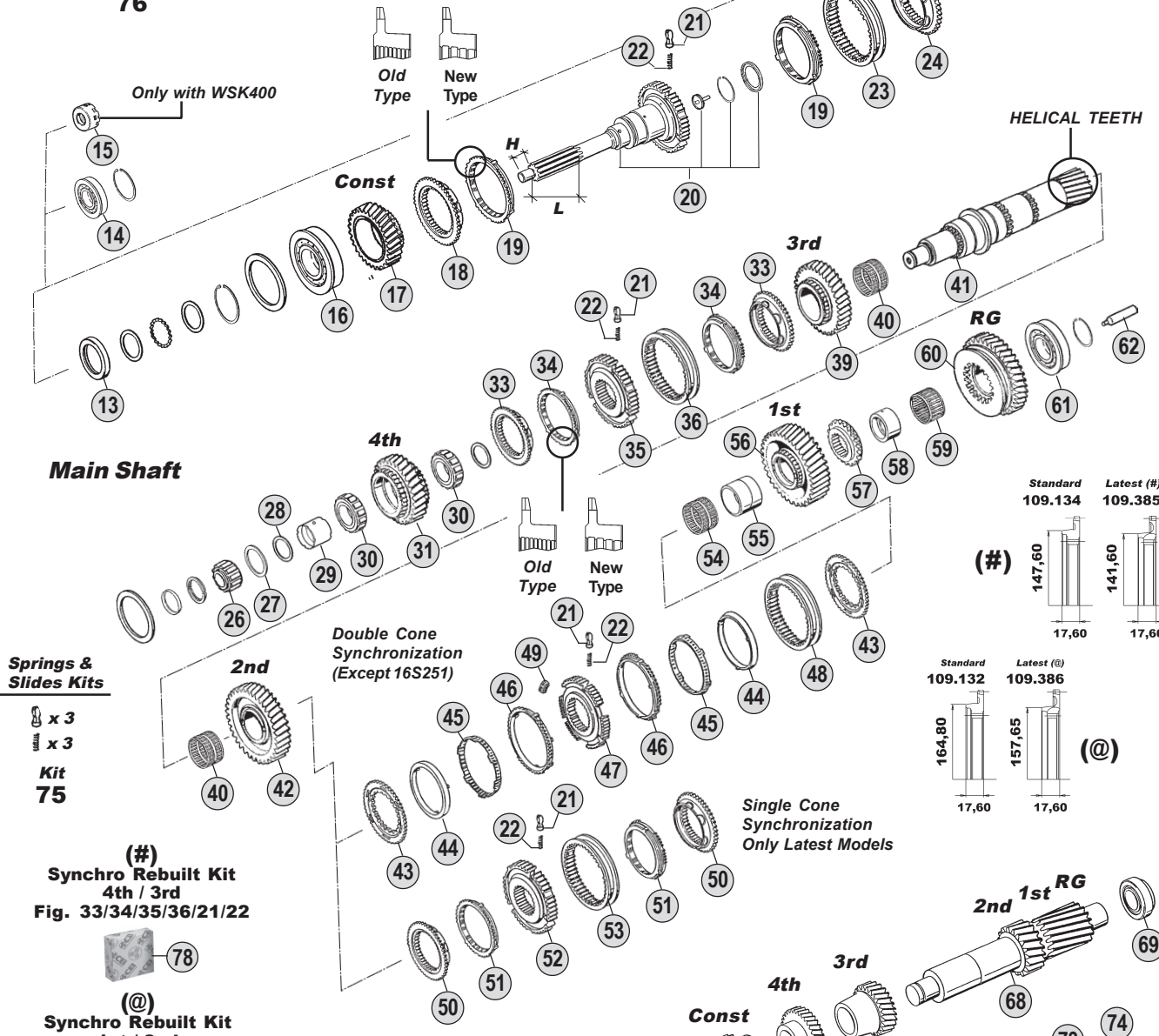
Suitable To : **ZF**

**16S151 - 16S181 - 16S221 - 16S251**

**Input Shaft**



**Main Shaft**



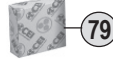
**Springs & Slides Kits**

x 3  
x 3  
**Kit 75**

(#)  
**Synchro Rebuilt Kit 4th / 3rd**  
Fig. 33/34/35/36/21/22



(@)  
**Synchro Rebuilt Kit 1st / 2nd**  
Fig. 50/51/52/53/21/22



**Countershaft & Reverse Shaft**

**Ratios**

|               |               |                 |                 |       |       |
|---------------|---------------|-----------------|-----------------|-------|-------|
| <b>16S151</b> | A: 13,74-0,84 | B: 13,80 - 0,84 | C: 16,41 - 1,00 | D: -- | E: -- |
| <b>16S181</b> | A: --         | B: 13,80 - 0,84 | C: 16,41 - 1,00 | D: -- | E: -- |
| <b>16S221</b> | A: 13,74-0,84 | B: 13,80 - 0,84 | C: 16,41 - 1,00 | D: -- | E: -- |
| <b>16S251</b> | A: --         | B: 13,80 - 0,84 | C: --           | D: -- | E: -- |



All original equipment manufacturers' numbers, symbols, pictures, models and description used in this catalogue are for reference only, and it is not implied that any part listed is the product of these manufactures. Tutti i nostri particolari non sono originali ma con essi intercambiabili. I riferimenti originali, le figure, i modelli sono esposti a semplice titolo indicativo. La nostra produzione riporta il nostro marchio.

| Fig. | CEI no. | O.E.M. Reference |         | Description               | Q.ty | Note         | Ratio |               |               |               |               |
|------|---------|------------------|---------|---------------------------|------|--------------|-------|---------------|---------------|---------------|---------------|
|      |         | ZF no.           | DAF no. |                           |      |              |       | 16S151 (1315) | 16S181 (1316) | 16S221 (1316) | 16S251 (1316) |
| 49   | 156.176 | 1312 304 159     | 1300312 | Pad                       | 3    |              |       | ●             | ●             | ●             | ●             |
| 50   | 109.132 | 1313 304 009     | 69572   | Synchronizer Cone         | 2    | (*)          |       | ●             | ●             | ●             | ●             |
| 50   | 109.386 | 1316 304 156     |         | Synchronizer Cone         | 2    |              | (@)   | ●             | ●             | ●             | ●             |
| 51   | 119.122 | 1297 304 401     | 66365   | Synchronizer Ring         | 2    | (*) Old Type |       | ●             | ●             | ●             | ●             |
| 51   | 119.166 | 1297 304 485     | 1360740 | Synchronizer Ring         | 2    | (*) New Type |       | ●             | ●             | ●             | ●             |
| 51   | 119.218 | 1316 304 150     |         | Synchronizer Ring         | 2    |              | (@)   | ●             | ●             | ●             | ●             |
| 52   | 157.189 | 1313 304 008     | 69570   | Synchronizer Hub          | 1    | (*)          |       | ●             | ●             | ●             | ●             |
| 52   | 157.228 | 1316 304 163     |         | Synchronizer Hub          | 1    |              | (@)   | ●             | ●             | ●             | ●             |
| 53   | 154.202 | 1316 304 078     | 1360725 | Sliding Sleeve            | 1    | (*)          |       | ●             | ●             | ●             | ●             |
| 53   | 154.358 | 1315 304 136     |         | Sliding Sleeve            | 1    |              | (@)   | ●             | ●             | ●             | ●             |
| 54   | 137.160 | 0750 115 325     | 69574   | Needle Cage D.96x104x55   | 1    |              |       | ●             |               |               |               |
| 54   | 137.151 | 0750 115 327     | 1227012 | Needle Cage D.96x104x72   | 1    |              |       |               | ●             | ●             | ●             |
| 55   | 117.294 | 1313 304 038     | 69573   | Bush                      | 1    |              |       | ●             |               |               |               |
| 55   | 117.310 | 1312 304 084     | 1227011 | Bush D.85x96x72           | 1    |              |       |               | ●             | ●             | ●             |
| 56   | 145.453 | 1315 304 014     | 1291078 | Gear 1st Speed 44 T       | 1    |              | A     | ●             |               |               |               |
| 56   | 145.452 | 1315 304 004     | 1290969 | Gear 1st Speed 47 T       | 1    |              | BC    | ●             |               |               |               |
| 56   | 145.522 | 1316 304 013     | 1300651 | Gear 1st Speed 44 T       | 1    |              | A     |               |               | ●             |               |
| 56   | 145.475 | 1316 304 010     | 1295198 | Gear 1st Speed 47 T       | 1    |              | BC    |               | ●             | ●             | ●             |
| 57   | 109.144 | 1315 304 018     | 1290970 | Engaging Ring             | 1    |              |       | ●             |               |               |               |
| 57   | 109.163 | 1312 304 124     | 1295199 | Engaging Ring             | 1    |              |       |               | ●             | ●             | ●             |
| 58   | 117.293 | 1315 304 132     | 1381158 | Bush                      | 1    |              |       | ●             |               |               |               |
| 58   | 117.311 | 1316 304 133     | 1386223 | Bush D.80x90x50           | 1    |              |       |               | ●             | ●             | ●             |
| 59   | 137.162 | 0750 115 324     | 69578   | Roller Cage D.90x98x41    | 1    |              |       | ●             |               |               |               |
| 59   | 137.140 | 0750 115 326     | 1227017 | Roller Cage D.90x98x50    | 1    |              |       |               | ●             | ●             | ●             |
| 60   | 147.124 | 1315 304 013     | 1291079 | Reverse Gear 42 T         | 1    |              | A     | ●             |               |               |               |
| 60   | 147.123 | 1315 304 006     | 1290971 | Reverse Gear 44 T         | 1    |              | BC    | ●             |               |               |               |
| 60   | 147.144 | 1316 304 015     | 1300652 | Reverse Gear 42 T         | 1    |              | A     |               |               | ●             |               |
| 60   | 147.128 | 1316 304 012     | 1295200 | Reverse Gear 44 T         | 1    |              | BC    |               | ●             | ●             | ●             |
| 61   | 130.309 | 0750 117 677     | 1333686 | Bearing D.80x130x36       | 1    |              |       | ●             |               |               |               |
| 61   | 130.304 | 0750 117 678     | 1330399 | Bearing D.80x140x36,50    | 1    |              |       |               | ●             | ●             | ●             |
| 62   | 188.209 | 1312 304 150     | 1246838 | Oil Tube                  | 1    |              |       | ●             | ●             | ●             |               |
| 62   |         | 1316 304 093     |         | Oil Tube                  | 1    |              |       |               |               |               | ●             |
| 63   |         | 0730 106 917     | 1212189 | Washer                    | 1    | S.3,00 mm    |       | ●             | ●             | ●             | ●             |
| 63   |         | 0730 101 471     | 1212193 | Washer                    | 1    | S.2,00 mm    |       | ●             | ●             | ●             | ●             |
| 64   | 130.308 | 0750 117 009     | 691357  | Bearing D.49,2x103,1x43,6 | 1    |              |       | ●             | ●             | ●             |               |
| 64   | 130.519 | 0735 371 604     |         | Bearing D.49,2x103,1x43,6 | 1    |              |       |               |               |               | ●             |
| 65   | 146.427 | 1315 303 052     | 1342737 | Constant Gear 37 T        | 1    |              | A     | ●             |               |               |               |
| 65   | 146.473 | 1315 303 051     |         | Constant Gear 32 T        | 1    |              | B     | ●             |               |               |               |
| 65   | 146.367 | 1315 303 008     | 1291075 | Constant Gear 39 T        | 1    |              | C     | ●             |               |               |               |
| 65   | 146.485 | 1316 303 056     | 1340224 | Constant Gear 32 T        | 1    |              | B     |               | ●             |               |               |
| 65   | 146.398 | 1316 303 055     | 1330827 | Constant Gear 39 T        | 1    |              | C     |               | ●             |               |               |
| 65   | 146.407 | 1316 303 031     | 1300648 | Constant Gear 37 T        | 1    |              | A     |               |               | ●             |               |
| 65   | 146.469 | 1316 303 064     | 1394365 | Constant Gear 32 T        | 1    |              | B     |               |               | ●             | ●             |
| 65   | 146.486 | 1316 303 030     | 1295191 | Constant Gear 39 T        | 1    |              | C     |               |               | ●             |               |
| 66   | 146.429 | 1315 303 046     | 1317303 | Gear 4th Speed 39 T       | 1    |              | A     | ●             |               |               |               |

## Notes

- (1) Only for Input S. 1315 202 048-1316 202 033 (2) Only for Input S. 1315 221 002-1316 221 017  
 (3) Old Type. Replaced by 1 pc. fig. 73 + 1 pc. fig. 74  
 (\*) New Models only. Do NO MIX Single Cone Synchro. with Double Cone Synchro.  
 (#) Latest Synchro gen. DO NO MIX the two different version. To update the previous one use the synchro rebuilt kit fig. 79  
 (@) Latest Synchro gen. DO NO MIX the two different version. To update the previous one use the synchro rebuilt kit fig. 80

## Date

03 / 2006

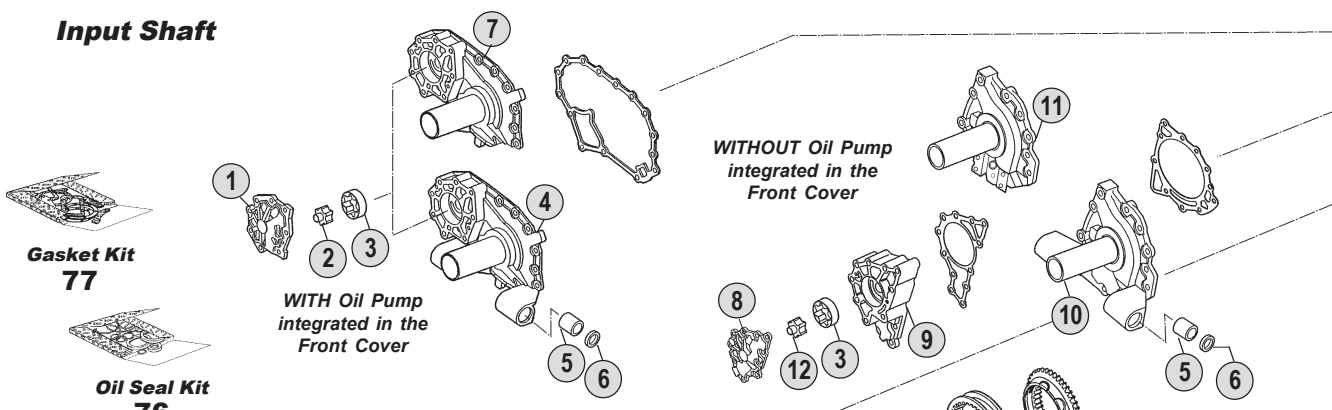
## Table

023 / A

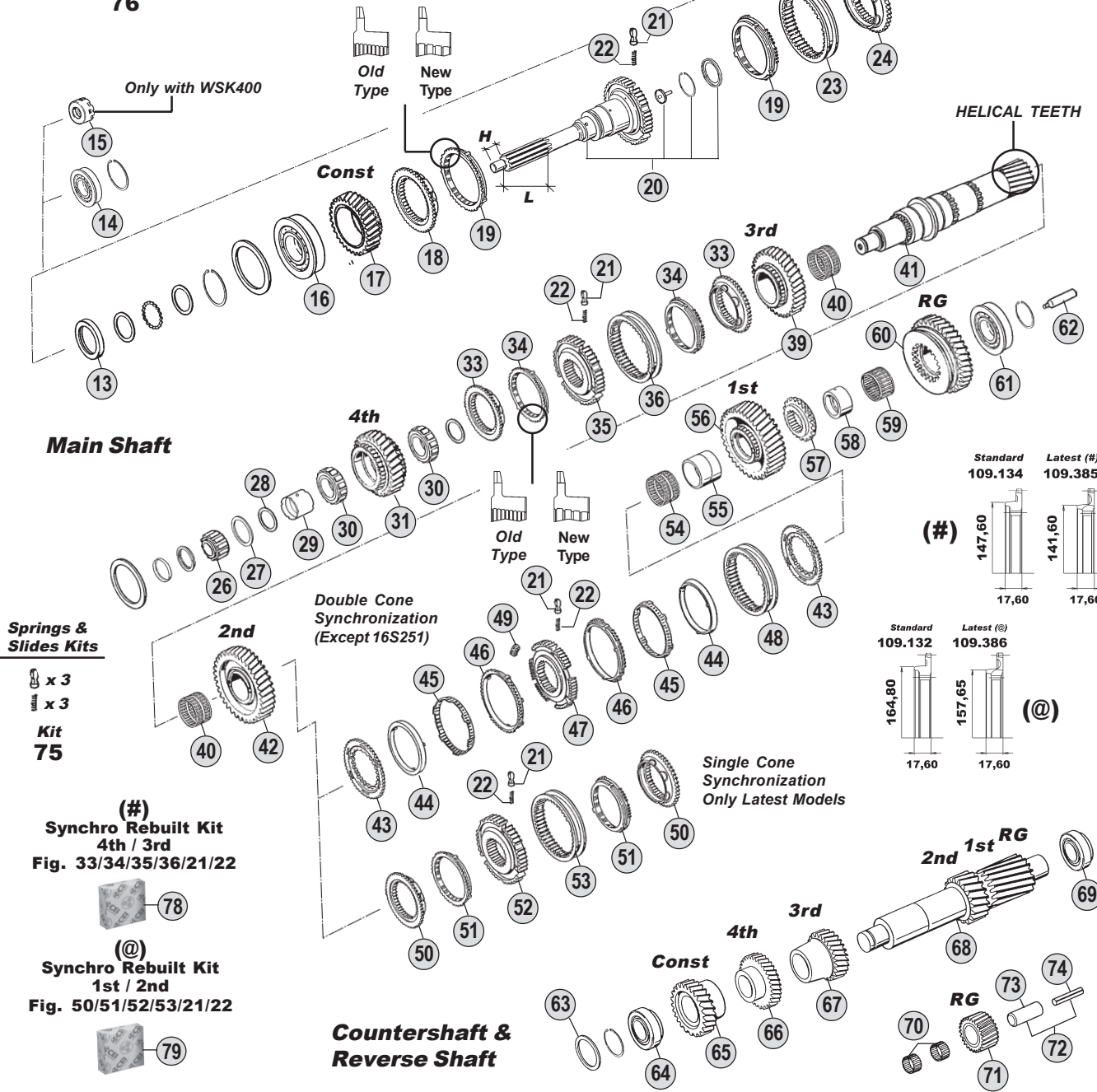
Suitable To : **ZF**

**16S151 - 16S181 - 16S221 - 16S251**

**Input Shaft**



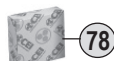
**Main Shaft**



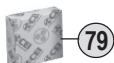
**Springs & Slides Kits**

x 3  
x 3  
**Kit 75**

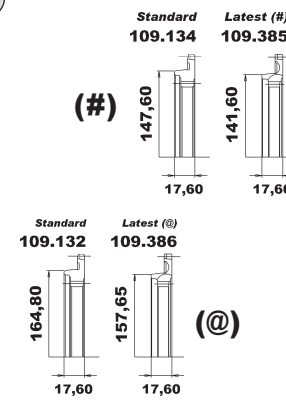
(#)  
**Synchro Rebuilt Kit 4th / 3rd**  
Fig. 33/34/35/36/21/22



(@)  
**Synchro Rebuilt Kit 1st / 2nd**  
Fig. 50/51/52/53/21/22



**Countershaft & Reverse Shaft**



**Ratios**

|               |                |                  |                  |        |        |
|---------------|----------------|------------------|------------------|--------|--------|
| <b>16S151</b> | A : 13,74-0,84 | B : 13,80 - 0,84 | C : 16,41 - 1,00 | D : -- | E : -- |
| <b>16S181</b> | A : --         | B : 13,80 - 0,84 | C : 16,41 - 1,00 | D : -- | E : -- |
| <b>16S221</b> | A : 13,74-0,84 | B : 13,80 - 0,84 | C : 16,41 - 1,00 | D : -- | E : -- |
| <b>16S251</b> | A : --         | B : 13,80 - 0,84 | C : --           | D : -- | E : -- |



All original equipment manufacturers' numbers, symbols, pictures, models and description used in this catalogue are for reference only, and it is not implied that any part listed is the product of these manufactures. Tutti i nostri particolari non sono originali ma con essi intercambiabili. I riferimenti originali, le figure, i modelli sono esposti a semplice titolo indicativo. La nostra produzione riporta il nostro marchio.

16S151 (1315)  
16S181 (1316)  
16S221 (1316)  
16S251 (1316)

| Fig. | O.E.M. Reference |              | Description | Q.ty                      | Note | Ratio      |         |               |               |               |               |  |
|------|------------------|--------------|-------------|---------------------------|------|------------|---------|---------------|---------------|---------------|---------------|--|
|      | CEI no.          | ZF no.       |             |                           |      |            | DAF no. | 16S151 (1315) | 16S181 (1316) | 16S221 (1316) | 16S251 (1316) |  |
| 66   | 146.474          | 1315 303 050 | 1350861     | Gear 4th Speed 35 T       | 1    | BC         | ●       |               |               |               |               |  |
| 66   | 146.399          | 1316 303 063 | 1330828     | Gear 4th Speed 35 T       | 1    | BC         |         | ●             |               |               |               |  |
| 66   | 146.408          | 1316 303 004 | 1300649     | Gear 4th Speed 39 T       | 1    | A          |         |               | ●             |               |               |  |
| 66   | 146.426          | 1316 303 065 | 1360899     | Gear 4th Speed 35 T       | 1    | BC         |         |               | ●             | ●             |               |  |
| 67   | 146.368          | 1315 303 010 | 1291073     | Gear 3rd Speed 28 T       | 1    | A          | ●       |               |               |               |               |  |
| 67   | 146.365          | 1315 303 004 | 1290965     | Gear 3rd Speed 26 T       | 1    | BC         | ●       |               |               |               |               |  |
| 67   | 146.400          | 1316 303 058 | 1330826     | Gear 3rd Speed 26 T       | 1    | BC         |         | ●             |               |               |               |  |
| 67   | 146.409          | 1316 303 006 | 1300647     | Gear 3rd Speed 28 T       | 1    | A          |         |               | ●             |               |               |  |
| 67   | 146.391          | 1316 303 005 | 1295190     | Gear 3rd Speed 26 T       | 1    | BC         |         |               | ●             |               |               |  |
| 67   | 146.470          | 1316 303 040 |             | Gear 3rd Speed 26 T       | 1    | B          |         |               |               | ●             |               |  |
| 68   | 105.109          | 1315 303 041 | 1300691     | Countershaft 19-23 T      | 1    | A          | ●       |               |               |               |               |  |
| 68   | 105.124          | 1315 303 042 | 1297001     | Countershaft 17-20 T      | 1    | BC         | ●       |               |               |               |               |  |
| 68   | 105.103          | 1316 303 034 | 1300646     | Countershaft 19-23 T      | 1    | A          |         |               | ●             |               |               |  |
| 68   | 105.100          | 1316 303 033 | 1295189     | Countershaft 17-20 T      | 1    | BC         |         | ●             | ●             |               |               |  |
| 68   | 105.123          | 1316 303 038 |             | Countershaft 17-20 T      | 1    | B          |         |               |               | ●             |               |  |
| 69   | 130.307          | 0750 117 011 | 689905      | Bearing D.50,8x104,7x39,6 | 1    |            | ●       |               |               |               |               |  |
| 69   | 130.308          | 0750 117 009 | 691357      | Bearing D.49,2x103,1x43,6 | 1    |            |         | ●             | ●             |               |               |  |
| 69   | 130.519          | 0735 371 604 |             | Bearing D.49,2x103,1x43,6 | 1    |            |         |               |               | ●             |               |  |
| 70   | 137.135          | 0750 115 366 | 1290947     | Needle Cage D.45x57x21    | 2    |            | ●       |               |               |               |               |  |
| 70   | 137.149          | 0750 115 369 | 1295179     | Needle Cage D.45x57x25    | 2    |            |         | ●             | ●             | ●             |               |  |
| 71   | 147.142          | 1315 305 005 | 1291007     | Reverse Gear 20 T         | 1    | A          | ●       |               |               |               |               |  |
| 71   | 147.126          | 1315 305 002 | 1290946     | Reverse Gear 22 T         | 1    | BC         | ●       |               |               |               |               |  |
| 71   | 147.143          | 1316 305 002 | 1295178     | Reverse Gear 20 T         | 1    | A          |         |               | ●             |               |               |  |
| 71   | 147.127          | 1316 305 001 | 1295177     | Reverse Gear 22 T         | 1    | BC         |         | ●             | ●             | ●             |               |  |
| 72   |                  | 1315 201 054 | 1344257     | Reverse Shaft             | 1    | Old (3) A  | ●       |               |               |               |               |  |
| 72   |                  | 1315 201 053 | 1344256     | Reverse Shaft             | 1    | Old (3) BC | ●       |               |               |               |               |  |
| 72   |                  | 1316 201 030 | 1295182     | Reverse Shaft             | 1    | Old (3) A  |         |               | ●             |               |               |  |
| 72   | 190.301          | 1316 201 029 | 1344227     | Reverse Shaft             | 1    | Old (3) BC |         | ●             | ●             |               |               |  |
| 72   |                  | 1316 201 075 |             | Reverse Shaft             | 1    | Old (3) B  |         |               |               | ●             |               |  |
| 73   | 190.302          | 1315 305 009 | 1290948     | Reverse Shaft             | 1    | New        | ●       | ●             | ●             | ●             |               |  |
| 74   |                  | 0631 329 293 | 1291068     | Pin                       | 1    | New A      | ●       |               |               |               |               |  |
| 74   |                  | 0631 329 294 |             | Pin                       | 1    | New BC     | ●       |               |               |               |               |  |
| 74   |                  | 0631 329 295 | 1295183     | Pin                       | 1    | New A      |         |               | ●             |               |               |  |
| 74   |                  | 0631 329 296 | 1295181     | Pin                       | 1    | New BC     |         | ●             | ●             |               |               |  |
| 74   |                  | 0631 329 305 |             | Pin                       | 1    | New B      |         |               |               | ●             |               |  |
| 75   | 198.843          | CEI 198843   |             | Spring Slide Set          | 1    |            | ●       | ●             | ●             | ●             |               |  |
| 76   | 198.838          | 1315 298 002 | 1329624     | Oil Seal Kit              | 1    |            | ●       | ●             | ●             | ●             |               |  |
| 77   | 198.797          | 1315 298 001 | 1289527     | Gasket Kit                | 1    |            | ●       | ●             | ●             | ●             |               |  |
| 78   | 298.021          | 1315 298 061 |             | Synchro kit 4th/3rd Speed | 1    | (#)        | ●       | ●             | ●             | ●             |               |  |
| 79   | 298.020          | 1315 298 060 |             | Synchro kit 1st/2nd Speed | 1    | (@)        | ●       | ●             | ●             | ●             |               |  |

## Notes

- (1) Only for Input S. 1315 202 048-1316 202 033 (2) Only for Input S. 1315 221 002-1316 221 017  
 (3) Old Type. Replaced by 1 pc. fig. 73 + 1 pc. fig. 74  
 (\*) New Models only. **DO NO MIX** Single Cone Synchro. with Double Cone Synchro.  
 (#) Latest Synchro gen. **DO NO MIX** the two different version. To update the previous one use the **synchro rebuilt kit fig. 79**  
 (@) Latest Synchro gen. **DO NO MIX** the two different version. To update the previous one use the **synchro rebuilt kit fig. 80**

## Date

03 / 2006

## Table

023 / A

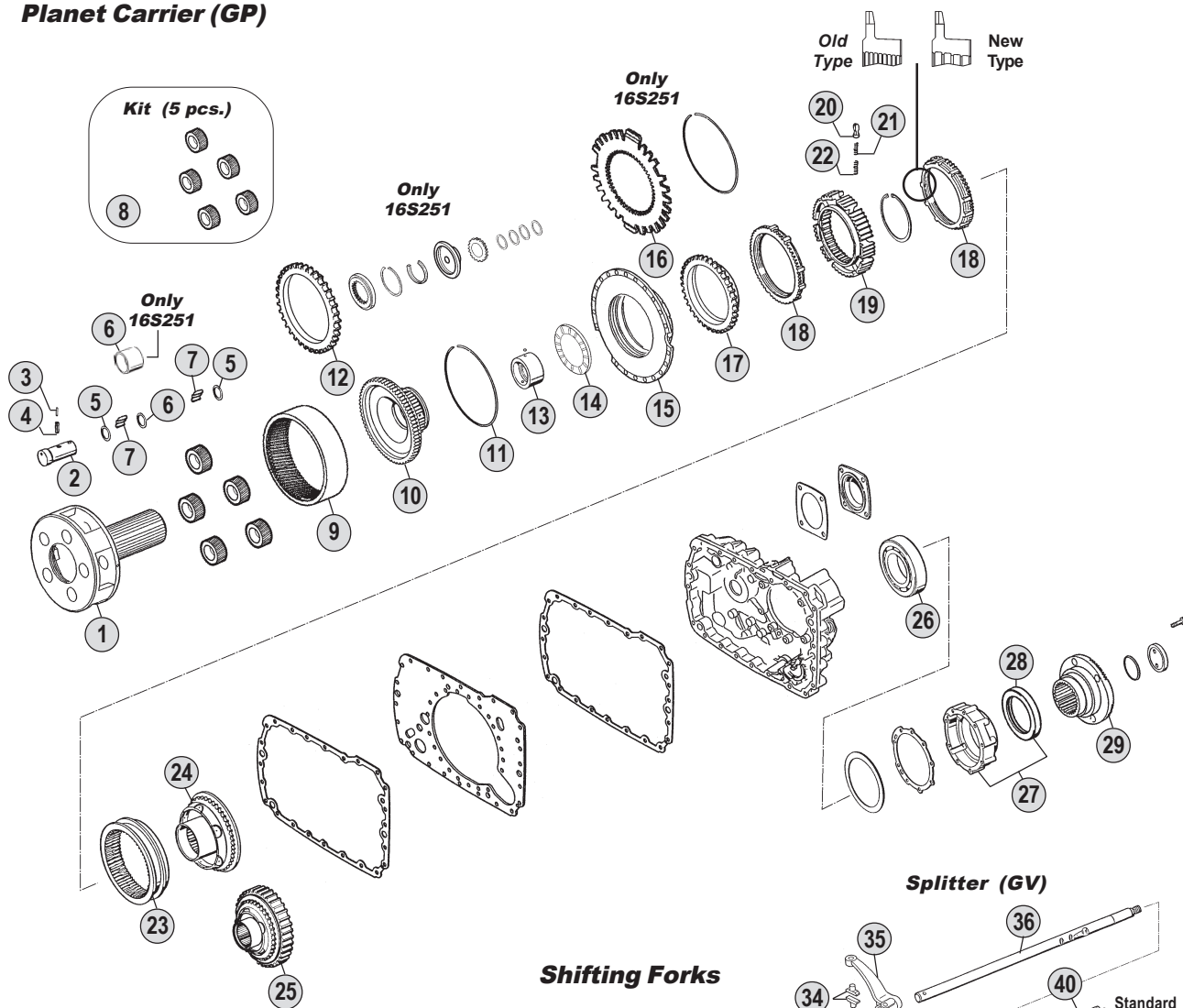
All original equipment manufacturers numbers, symbols, pictures, models and description used in this catalogue are for reference only, and it is not implied that any part listed is the product of these manufactures.  
 Tutti i nostri particolari non sono originali ma con essi intercambiabili. I riferimenti originali, le figure, i modelli sono esposti a semplice titolo indicativo. La nostra produzione riporta il nostro marchio.



Suitable To : **ZF**

**16S151 - 16S181 - 16S221 - 16S251**

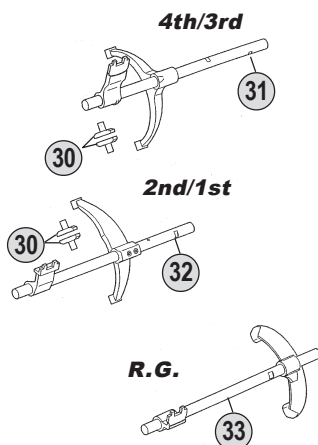
**Planet Carrier (GP)**



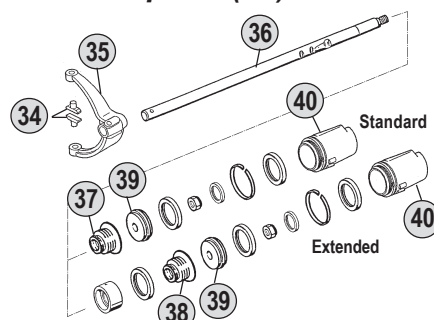
**Springs & Slides Kits**

|               |               |               |
|---------------|---------------|---------------|
| x 3           | x 6           | x 9           |
| x 3           | x 6           | x 9           |
| x 3           | x 6           | x 9           |
| <b>Kit 50</b> | <b>Kit 51</b> | <b>Kit 52</b> |

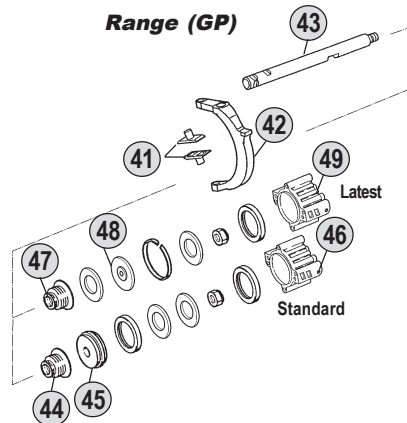
**Shifting Forks**



**Splitter (GV)**



**Range (GP)**



**Kits**



**Ratios**

|               |                  |                  |                  |        |        |
|---------------|------------------|------------------|------------------|--------|--------|
| <b>16S151</b> | A : 13,74 - 0,84 | B : 13,80 - 0,84 | C : 16,41 - 1,00 | D : -- | E : -- |
| <b>16S181</b> | A : --           | B : 13,80 - 0,84 | C : 16,41 - 1,00 | D : -- | E : -- |
| <b>16S221</b> | A : 13,74 - 0,84 | B : 13,80 - 0,84 | C : 16,41 - 1,00 | D : -- | E : -- |
| <b>16S251</b> | A : --           | B : 13,80 - 0,84 | C : --           | D : -- | E : -- |

All original equipment manufacturers' numbers, symbols, pictures, models and description used in this catalogue are for reference only, and it is not implied that any part listed is the product of these manufactures. Tutti i nostri particolari non sono originali ma con essi intercambiabili. I riferimenti originali, le figure, i modelli sono esposti a semplice titolo indicativo. La nostra produzione riporta il nostro marchio.

16S151 (1315)  
16S181 (1316)  
16S221 (1316)  
16S251 (1316)

| Fig. | O.E.M. Reference |              | Description | Q.ty                       | Note | Ratio    |         |               |               |               |               |  |
|------|------------------|--------------|-------------|----------------------------|------|----------|---------|---------------|---------------|---------------|---------------|--|
|      | CEI no.          | ZF no.       |             |                            |      |          | DAF no. | 16S151 (1315) | 16S181 (1316) | 16S221 (1316) | 16S251 (1316) |  |
| 1    | 190.394          | 1315 232 016 | 1342738     | Planetary Carrier          | 1    |          | ●       |               |               |               |               |  |
| 1    | 190.325          | 1316 232 019 | 1330408     | Planetary Carrier          | 1    |          |         | ●             |               |               |               |  |
| 1    | 190.394          | 1315 232 016 | 1342738     | Planetary Carrier          | 1    | (4)      |         | ●             |               |               |               |  |
| 1    | 190.325          | 1316 232 019 | 1330408     | Planetary Carrier          | 1    |          |         |               | ●             |               |               |  |
| 1    |                  | 1316 232 021 |             | Planetary Carrier          | 1    |          |         |               |               | ●             |               |  |
| 2    | 107.159          | 1315 332 053 | 1342739     | Planet Shaft               | 5    |          | ●       |               |               |               |               |  |
| 2    | 107.204          | 1316 332 096 | 1344059     | Planet Shaft               | 5    |          |         | ●             |               |               |               |  |
| 2    | 107.159          | 1315 332 053 | 1342739     | Planet Shaft               | 5    | (4)      |         | ●             |               |               |               |  |
| 2    | 107.204          | 1316 332 096 | 1344059     | Planet Shaft               | 5    |          |         |               | ●             |               |               |  |
| 2    |                  | 1316 332 097 |             | Planet Shaft               | 5    |          |         |               |               | ●             |               |  |
| 3    | 160.195          | 0631 329 167 | 1344438     | Lock Pin D.3x26            | 5    |          | ●       | ●             | ●             | ●             |               |  |
| 4    | 160.194          | 0631 329 051 | 1344439     | Lock Pin D.5x26            | 5    |          | ●       | ●             | ●             | ●             |               |  |
| 5    | 169.744          | 0730 107 168 | 69077       | Spacer Ring                | 10   |          | ●       |               |               |               |               |  |
| 5    | 269.009          | 0730 109 323 | 1330411     | Spacer Ring                | 10   |          |         | ●             |               |               |               |  |
| 5    | 169.744          | 0730 107 168 | 69077       | Spacer Ring                | 10   | (4)      |         | ●             |               |               |               |  |
| 5    | 269.009          | 0730 109 323 | 1330411     | Spacer Ring                | 10   |          |         |               | ●             | ●             |               |  |
| 6    | 169.744          | 0730 107 168 | 69077       | Spacer Ring                | 5    |          | ●       |               |               |               |               |  |
| 6    | 269.010          | 0730 109 309 | 1330410     | Spacer Ring                | 5    |          |         | ●             |               |               |               |  |
| 6    | 169.744          | 0730 107 168 | 69077       | Spacer Ring                | 5    | (4)      |         | ●             |               |               |               |  |
| 6    | 269.010          | 0730 109 309 | 1330410     | Spacer Ring                | 5    |          |         |               | ●             |               |               |  |
| 6    |                  | 0730 162 801 |             | Bush T.14,90               | 5    |          |         |               |               | ●             |               |  |
| 7    | 171.062          | 0750 119 116 | 1284246     | Roller D.10x16,8           | 140  |          | ●       | ●             | ●             | ●             |               |  |
| 8    | 198.798          | 1315 232 010 | 1339875     | Planetary Gear Set (5 pcs) | 1    |          | ●       |               |               |               |               |  |
| 8    | 298.024          | 1316 232 011 | 1330409     | Planetary Gear Set (5 pcs) | 1    |          |         | ●             |               |               |               |  |
| 8    | 198.798          | 1315 232 010 | 1339875     | Planetary Gear Set (5 pcs) | 1    | (4)      |         | ●             |               |               |               |  |
| 8    | 298.024          | 1316 232 011 | 1330409     | Planetary Gear Set (5 pcs) | 1    |          |         |               | ●             |               |               |  |
| 8    |                  | 1316 232 017 |             | Planetary Gear Set (5 pcs) | 1    |          |         |               |               | ●             |               |  |
| 9    | 123.211          | 1315 332 041 | 1339877     | Crown Gear                 | 1    |          | ●       | ●             | ●             | ●             |               |  |
| 9    |                  | 1316 332 042 |             | Crown Gear                 | 1    |          |         |               |               | ●             |               |  |
| 10   | 150.136          | 1316 332 103 | 1395605     | Carrier Hub                | 1    |          | ●       | ●             | ●             | ●             |               |  |
| 10   |                  | 1316 332 073 |             | Carrier Hub                | 1    |          |         |               |               | ●             |               |  |
| 11   |                  | 0730 513 583 |             | Locking Wire               | 1    |          | ●       | ●             | ●             | ●             |               |  |
| 11   |                  | 0730 513 639 |             | Locking Wire               | 1    |          |         |               |               | ●             |               |  |
| 12   |                  | 1316 332 044 |             | Ring Gear                  | 1    |          |         |               |               | ●             |               |  |
| 13   |                  | 1316 333 014 |             | Bush                       | 1    |          | ●       | ●             | ●             | ●             |               |  |
| 14   | 130.312          | 0735 298 169 | 1330415     | Bearing D.104,50x128,40x10 | 1    |          | ●       | ●             | ●             | ●             |               |  |
| 15   | 135.122          | 1296 333 046 | 1450534     | Saddle Plate               | 1    |          | ●       | ●             | ●             | ●             |               |  |
| 16   |                  | 1316 333 026 |             | Saddle Plate               | 1    |          |         |               |               | ●             |               |  |
| 17   | 109.174          | 1296 333 050 | 1377131     | Synchronizer Cone          | 1    |          | ●       | ●             | ●             | ●             |               |  |
| 18   | 119.085          | 1296 333 022 | 1303708     | Synchronizer Ring          | 2    | Old Type | ●       | ●             | ●             | ●             |               |  |
| 18   | 119.172          | 1296 333 045 | 1354113     | Synchronizer Ring          | 2    | New Type | ●       | ●             | ●             | ●             |               |  |
| 19   | 157.182          | 1313 333 001 | 69909       | Synchronizer Hub           | 1    |          | ●       | ●             | ●             | ●             |               |  |
| 20   | 160.116          | 1240 304 278 | 326962      | Pressure Piece             | 9    |          | ●       | ●             | ●             | ●             |               |  |
| 21   | 156.036          | 0732 040 386 | 326964      | Inner Spring De.3x34       | 9    |          | ●       | ●             | ●             | ●             |               |  |
| 22   | 156.037          | 0732 040 385 | 326963      | Outer Spring De.6x34       | 9    |          | ●       | ●             | ●             | ●             |               |  |

## Notes

(4) 16S181 Special GP Version. This version use 16S151 GP items.  
For this version use items marked (4) together.

## Date

03 / 2006

## Table

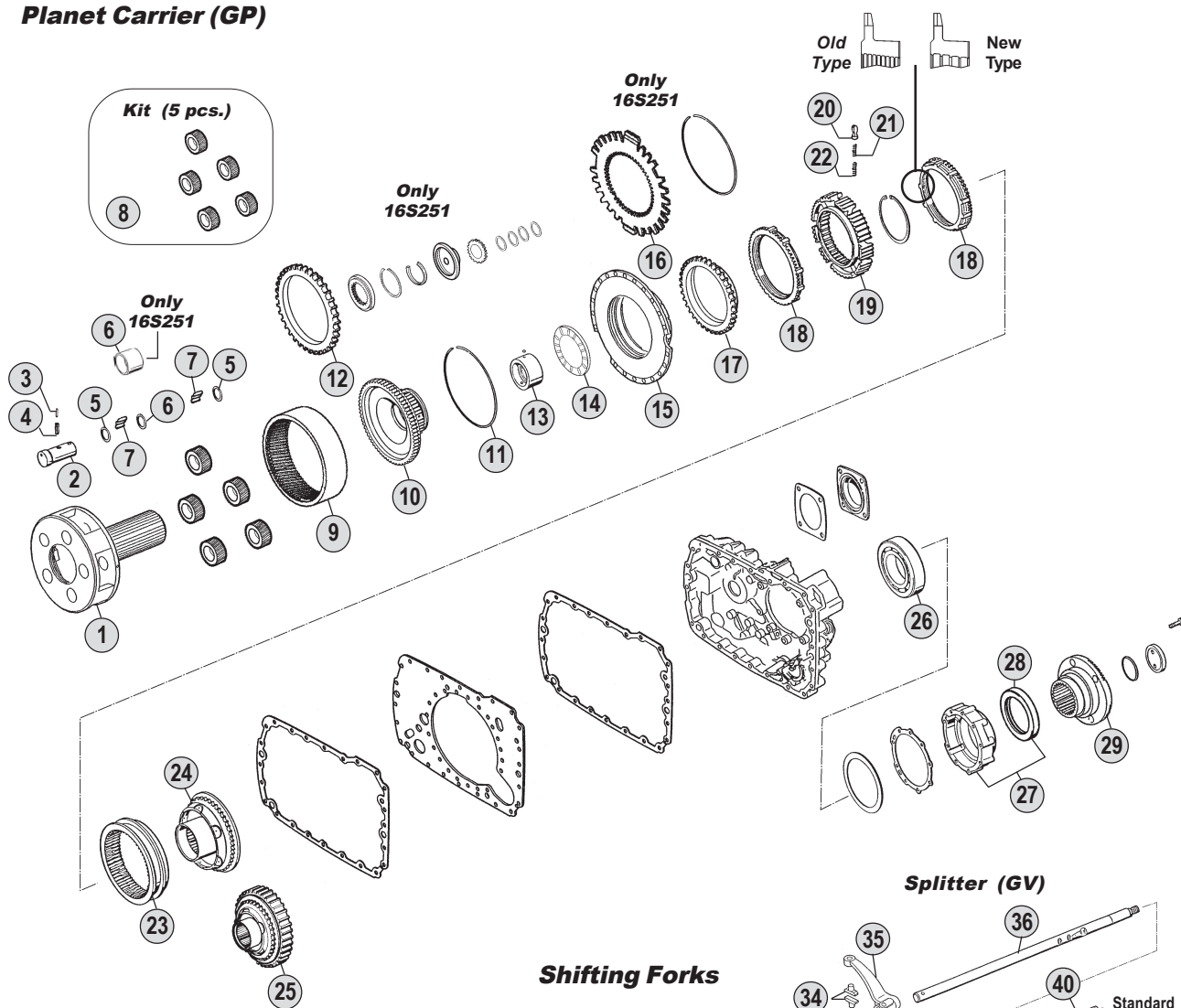
023 / B

All original equipment manufacturers numbers, symbols, pictures, models and description used in this catalogue are for reference only, and it is not implied that any part listed is the product of these manufactures.  
Tutti i nostri particolari non sono originali ma con essi intercambiabili. I riferimenti originali, le figure, i modelli sono esposti a semplice titolo indicativo. La nostra produzione riporta il nostro marchio.

Suitable To : **ZF**

**16S151 - 16S181 - 16S221 - 16S251**

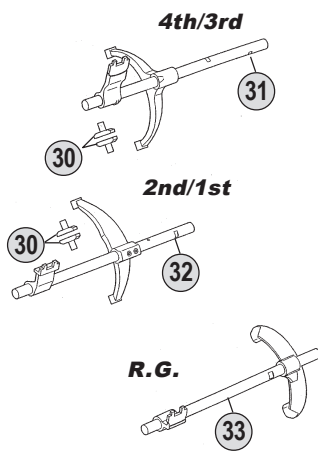
**Planet Carrier (GP)**



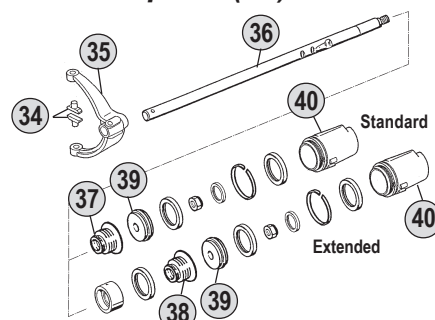
**Springs & Slides Kits**

|               |               |               |
|---------------|---------------|---------------|
| x 3           | x 6           | x 9           |
| x 3           | x 6           | x 9           |
| x 3           | x 6           | x 9           |
| <b>Kit 50</b> | <b>Kit 51</b> | <b>Kit 52</b> |

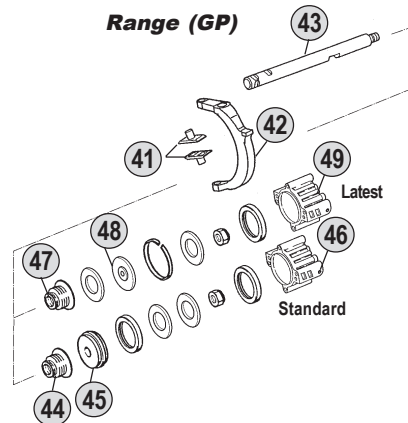
**Shifting Forks**



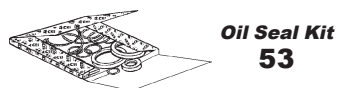
**Splitter (GV)**



**Range (GP)**



**Kits**



**Ratios**

|               |               |                 |                 |       |       |
|---------------|---------------|-----------------|-----------------|-------|-------|
| <b>16S151</b> | A: 13,74-0,84 | B: 13,80 - 0,84 | C: 16,41 - 1,00 | D: -- | E: -- |
| <b>16S181</b> | A: --         | B: 13,80 - 0,84 | C: 16,41 - 1,00 | D: -- | E: -- |
| <b>16S221</b> | A: 13,74-0,84 | B: 13,80 - 0,84 | C: 16,41 - 1,00 | D: -- | E: -- |
| <b>16S251</b> | A: --         | B: 13,80 - 0,84 | C: --           | D: -- | E: -- |

All original equipment manufacturers' numbers, symbols, pictures, models and description used in this catalogue are for reference only, and it is not implied that any part listed is the product of these manufactures. Tutti i nostri particolari non sono originali ma con essi intercambiabili. I riferimenti originali, le figure, i modelli sono esposti a semplice titolo indicativo. La nostra produzione riporta il nostro marchio.

16S151 (1315)  
16S181 (1316)  
16S221 (1316)  
16S251 (1316)

| Fig. | CEI no. | O.E.M. Reference |         | Description                     | Q.ty | Note          | Ratio |               |               |               |               |  |  |
|------|---------|------------------|---------|---------------------------------|------|---------------|-------|---------------|---------------|---------------|---------------|--|--|
|      |         | ZF no.           | DAF no. |                                 |      |               |       | 16S151 (1315) | 16S181 (1316) | 16S221 (1316) | 16S251 (1316) |  |  |
| 23   | 154.098 | 1296 333 023     | 689814  | Sliding Sleeve                  | 1    |               |       | ●             | ●             | ●             | ●             |  |  |
| 24   | 109.175 | 1316 233 015     | 1330419 | Synchronizer Cone (44 Spl.)     | 1    |               |       | ●             | ●             | ●             | ●             |  |  |
| 25   | 196.270 | 1316 233 014     | 1340371 | Synchronizer Cone 59 T (44 Spl) | 1    | With Retarder |       | ●             | ●             | ●             | ●             |  |  |
| 26   | 130.245 | 0750 116 002     | 692184  | Bearing D.90x160x30             | 1    |               |       | ●             | ●             | ●             | ●             |  |  |
| 27   |         | 1315 231 004     |         | Cover                           | 1    |               |       | ●             | ●             | ●             | ●             |  |  |
| 28   |         | 0750 111 341     | 1304242 | Oil Seal 105x130x12             | 1    |               |       | ●             | ●             | ●             | ●             |  |  |
| 29   |         | 1297 333 110     | 1227595 | Output Flange                   | 1    | D.180-4.H.    |       | ●             | ●             | ●             | ●             |  |  |
| 29   |         | 1316 232 028     |         | Output Flange                   | 1    | D.222-4.H.    |       | ●             |               |               |               |  |  |
| 29   |         | 1316 338 002     | 1297598 | Output Flange                   | 1    | D.180-4.H.    |       |               |               | ●             |               |  |  |
| 30   | 141.163 | 1297 306 120     | 66379   | Slide                           | 2    | Old Type      |       | ●             | ●             | ●             | ●             |  |  |
| 30   | 141.168 | 1316 306 015     | 1604637 | Slide                           | 2    | New Type      |       | ●             | ●             | ●             | ●             |  |  |
| 31   |         | 1315 206 013     | 1290975 | Fork                            | 1    | Old Type      |       | ●             |               |               |               |  |  |
| 31   |         | 1315 206 055     |         | Fork                            | 1    | New Type      |       | ●             |               |               |               |  |  |
| 31   |         | 1315 206 024     |         | Fork                            | 1    | Old Type      |       | ●             |               |               |               |  |  |
| 31   |         | 1315 206 056     |         | Fork                            | 1    | New Type      |       | ●             |               |               |               |  |  |
| 31   |         | 1316 206 018     | 1295207 | Fork                            | 1    | Old Type      |       |               | ●             | ●             | ●             |  |  |
| 31   |         | 1316 206 037     |         | Fork                            | 1    | New Type      |       |               | ●             | ●             | ●             |  |  |
| 31   |         | 1316 206 017     |         | Fork                            | 1    | Old Type      |       |               |               | ●             |               |  |  |
| 31   |         | 1316 206 038     |         | Fork                            | 1    | New Type      |       |               |               | ●             |               |  |  |
| 32   |         | 1315 206 046     | 1317301 | Fork                            | 1    | Old Type      |       | ●             |               |               |               |  |  |
| 32   |         | 1315 206 052     |         | Fork                            | 1    | New Type      |       | ●             |               |               |               |  |  |
| 32   |         | 1315 206 047     |         | Fork                            | 1    | Old Type      |       | ●             |               |               |               |  |  |
| 32   |         | 1315 206 053     |         | Fork                            | 1    | New Type      |       | ●             |               |               |               |  |  |
| 32   |         | 1316 206 025     | 1317309 | Fork                            | 1    | Old Type      |       |               | ●             | ●             | ●             |  |  |
| 32   |         | 1316 206 033     |         | Fork                            | 1    | New Type      |       |               | ●             | ●             | ●             |  |  |
| 32   |         | 1316 206 026     |         | Fork                            | 1    | Old Type      |       |               |               | ●             |               |  |  |
| 32   |         | 1316 206 034     |         | Fork                            | 1    | New Type      |       |               |               | ●             |               |  |  |
| 32   |         | 1316 206 027     |         | Fork                            | 1    | Old Type      |       |               |               | ●             |               |  |  |
| 32   |         | 1316 206 035     |         | Fork                            | 1    | New Type      |       |               |               | ●             |               |  |  |
| 33   |         | 1315 206 003     |         | Fork                            | 1    |               |       | ●             |               |               |               |  |  |
| 33   |         | 1315 206 023     | 1290976 | Fork                            | 1    |               |       | ●             |               |               |               |  |  |
| 33   |         | 1316 206 013     | 1295208 | Fork                            | 1    |               |       |               | ●             | ●             | ●             |  |  |
| 33   |         | 1316 206 014     |         | Fork                            | 1    |               |       |               |               | ●             |               |  |  |
| 34   | 141.163 | 1297 306 120     | 66379   | Slide                           | 2    | Old Type      |       | ●             | ●             | ●             | ●             |  |  |
| 34   | 141.168 | 1316 306 015     | 1604637 | Slide                           | 2    | New Type      |       | ●             | ●             | ●             | ●             |  |  |
| 35   |         | 1315 312 017     | 1291083 | Fork                            | 1    | Old Type      |       | ●             | ●             | ●             | ●             |  |  |
| 35   |         | 1315 312 074     |         | Fork                            | 1    | New Type      |       | ●             | ●             | ●             | ●             |  |  |
| 36   |         | 1315 312 049     | 1313722 | Rod                             | 1    | Standard      |       | ●             |               |               |               |  |  |
| 36   |         | 1315 312 022     | 1291082 | Rod                             | 1    | Extended      |       | ●             |               |               |               |  |  |
| 36   |         | 1316 312 016     | 1343551 | Rod                             | 1    | Standard      |       |               | ●             | ●             | ●             |  |  |
| 36   |         | 1316 312 008     | 1295231 | Rod                             | 1    | Extended      |       |               |               | ●             |               |  |  |
| 37   |         | 0750 112 131     | 1295232 | Cap Collar D.25x40x15           | 1    | Standard      |       | ●             | ●             | ●             | ●             |  |  |
| 38   | 139.331 | 0750 112 034     | 692237  | Cap Collar D.25x38x14,2         | 1    | Extended      |       | ●             |               | ●             |               |  |  |
| 39   |         | 1315 312 020     | 1291085 | Piston                          | 1    |               |       | ●             | ●             | ●             | ●             |  |  |
| 40   |         | 1315 312 048     | 1317307 | Cylinder                        | 1    |               |       | ●             |               |               |               |  |  |

## Notes

(4) 16S181 Special GP Version. This version use 16S151 GP items.  
For this version use items marked (4) together.

## Date

03 / 2006

## Table

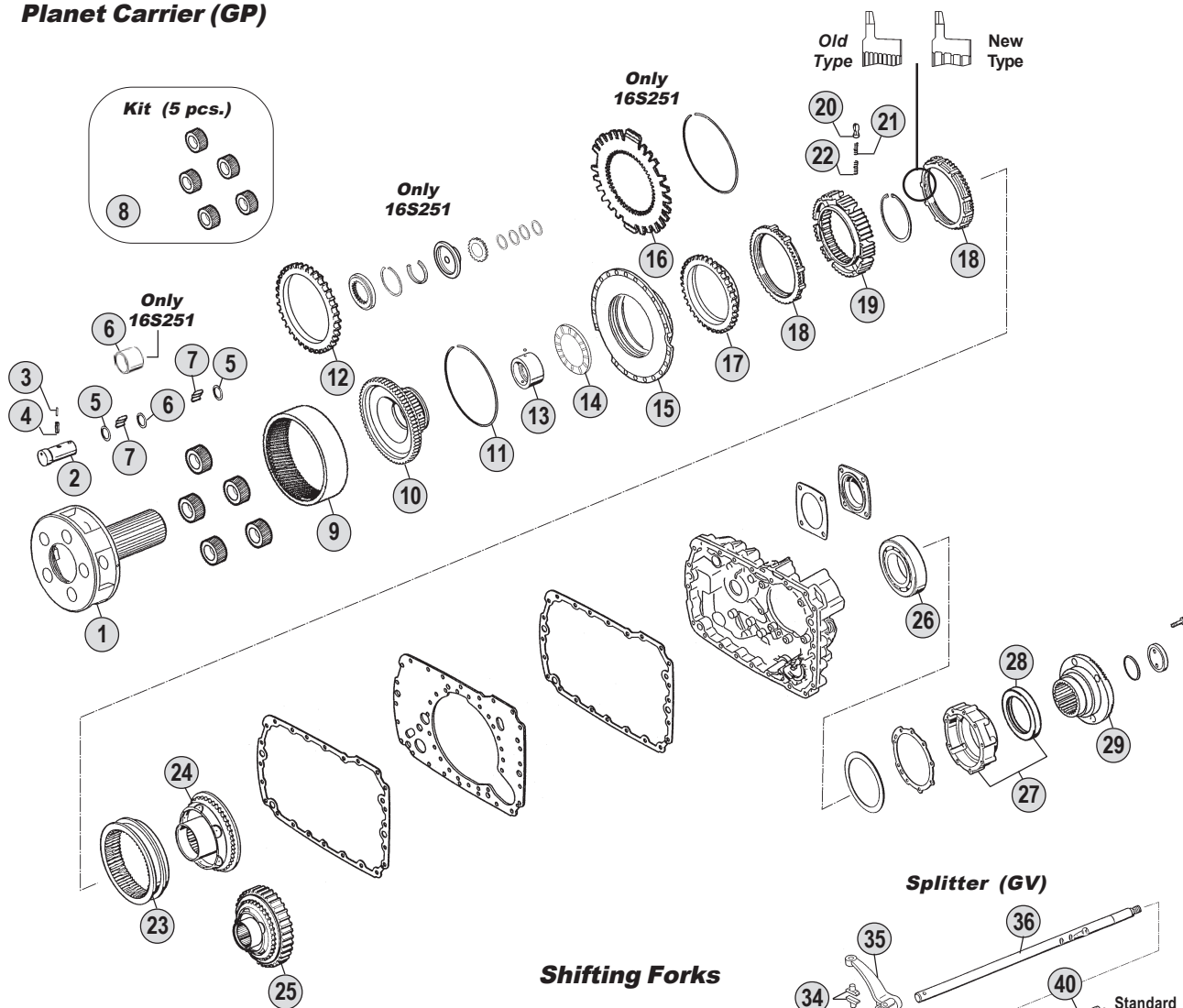
023 / B

All original equipment manufacturers numbers, symbols, pictures, models and description used in this catalogue are for reference only, and it is not implied that any part listed is the product of these manufactures.  
Tutti i nostri particolari non sono originali ma con essi intercambiabili. I riferimenti originali, le figure, i modelli sono esposti a semplice titolo indicativo. La nostra produzione riporta il nostro marchio.

Suitable To : **ZF**

**16S151 - 16S181 - 16S221 - 16S251**

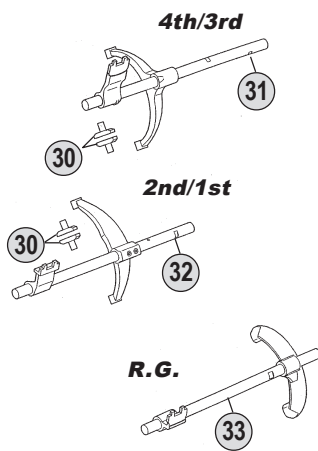
**Planet Carrier (GP)**



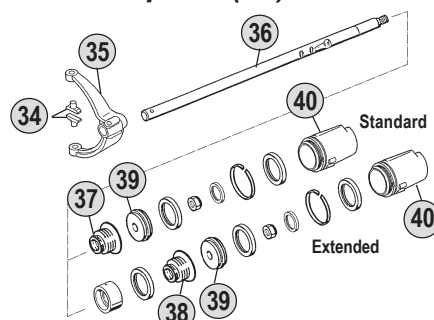
**Springs & Slides Kits**

|               |               |               |
|---------------|---------------|---------------|
| x 3           | x 6           | x 9           |
| x 3           | x 6           | x 9           |
| x 3           | x 6           | x 9           |
| <b>Kit 50</b> | <b>Kit 51</b> | <b>Kit 52</b> |

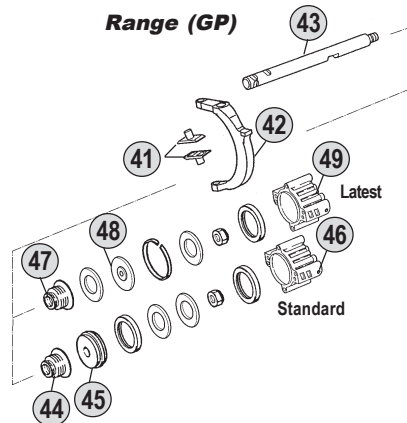
**Shifting Forks**



**Splitter (GV)**



**Range (GP)**



**Kits**



**Ratios**

|               |                  |                  |                  |        |        |
|---------------|------------------|------------------|------------------|--------|--------|
| <b>16S151</b> | A : 13,74 - 0,84 | B : 13,80 - 0,84 | C : 16,41 - 1,00 | D : -- | E : -- |
| <b>16S181</b> | A : --           | B : 13,80 - 0,84 | C : 16,41 - 1,00 | D : -- | E : -- |
| <b>16S221</b> | A : 13,74 - 0,84 | B : 13,80 - 0,84 | C : 16,41 - 1,00 | D : -- | E : -- |
| <b>16S251</b> | A : --           | B : 13,80 - 0,84 | C : --           | D : -- | E : -- |

All original equipment manufacturers' numbers, symbols, pictures, models and description used in this catalogue are for reference only, and it is not implied that any part listed is the product of these manufactures. Tutti i nostri particolari non sono originali ma con essi intercambiabili. I riferimenti originali, le figure, i modelli sono esposti a semplice titolo indicativo. La nostra produzione riporta il nostro marchio.

16S151 (1315)  
16S181 (1316)  
16S221 (1316)  
16S251 (1316)

| Fig. | CEI no. | O.E.M. Reference |         | Description             | Q.ty | Note          | Ratio |               |               |               |               |  |  |
|------|---------|------------------|---------|-------------------------|------|---------------|-------|---------------|---------------|---------------|---------------|--|--|
|      |         | ZF no.           | DAF no. |                         |      |               |       | 16S151 (1315) | 16S181 (1316) | 16S221 (1316) | 16S251 (1316) |  |  |
| 40   |         | 1316 312 015     | 1317310 | Cylinder                | 1    |               |       | ●             | ●             | ●             |               |  |  |
| 41   | 141.085 | 1296 334 004     | 692175  | Bronze Slide            | 2    |               |       | ●             | ●             | ●             | ●             |  |  |
| 42   |         | 1315 334 039     | 1330407 | Fork                    | 1    |               |       | ●             | ●             | ●             | ●             |  |  |
| 43   |         | 1315 334 058     | 1291001 | Rod                     | 1    |               |       | ●             |               |               |               |  |  |
| 43   |         | 1316 334 010     | 1442292 | Rod                     | 1    |               |       |               | ●             | ●             |               |  |  |
| 43   |         | 1316 334 011     |         | Rod                     | 1    |               |       |               |               |               | ●             |  |  |
| 44   | 139.331 | 0750 112 034     | 692237  | Cap Collar D.25x38x14,2 | 1    | Standard Type |       | ●             |               | ●             |               |  |  |
| 45   | 189.422 | 1296 334 039     | 699798  | Piston                  | 1    | Standard Type |       | ●             |               | ●             |               |  |  |
| 46   |         | 1315 334 021     | 1291002 | Cylinder                | 1    | Standard Type |       | ●             |               | ●             |               |  |  |
| 47   |         | 0750 112 131     | 1295232 | Cap Collar D.25x40x15   | 1    | Latest Type   |       | ●             | ●             | ●             | ●             |  |  |
| 48   |         | 1315 334 034     | 1295235 | Piston                  | 1    | Latest Type   |       | ●             | ●             | ●             | ●             |  |  |
| 49   |         | 1315 334 056     | 1377183 | Cylinder                | 1    | Latest Type   |       | ●             | ●             | ●             | ●             |  |  |
| 50   | 198.339 | 1268 298 938     |         | Spring Slide Set        | 1    |               |       | ●             | ●             | ●             | ●             |  |  |
| 51   | 198.564 | CEI 198564       |         | Spring Slide Set        | 1    |               |       | ●             | ●             | ●             | ●             |  |  |
| 52   | 198.842 | 1295 298 933     |         | Spring Slide Set        | 1    |               |       | ●             | ●             | ●             | ●             |  |  |
| 53   | 198.838 | 1315 298 002     | 1329624 | Oil Seal Kit            | 1    |               |       | ●             | ●             | ●             | ●             |  |  |
| 54   | 198.797 | 1315 298 001     | 1289527 | Gasket Kit              | 1    |               |       | ●             | ●             | ●             | ●             |  |  |

All original equipment manufacturers numbers, symbols, pictures, models and description used in this catalogue are for reference only, and it is not implied that any part listed is the product of these manufactures.  
Tutti i nostri particolari non sono originali ma con essi intercambiabili. I riferimenti originali, le figure, i modelli sono esposti a semplice titolo indicativo. La nostra produzione riporta il nostro marchio.

## Notes

(4) 16S181 Special GP Version. This version use 16S151 GP items.  
For this version use items marked (4) together.

## Date

03 / 2006

## Table

023 / B



Suitable to: **Volvo**

# Gearboxes Index

## EcoSplit I

**16S130****16S160****16S190/1**

All original equipment manufacturers numbers, symbols, pictures, models and description used in this catalogue are for reference only, and it is not implied that any part listed is the product of these manufactures.  
Tutti i nostri particolari non sono originali ma con essi intercambiabili. I riferimenti originali, le figure, i modelli sono esposti a semplice titolo indicativo. La nostra produzione riporta il nostro marchio.

**VOLVO**  
**INDEX**





suitable to :

**Z.F.****EcoSplit I****From 16S112 to 16S190****Application**

|                 | <b>16S112</b> | <b>16S130</b> | <b>16S160</b> | <b>16S190</b> |
|-----------------|---------------|---------------|---------------|---------------|
|                 | (1296)        | (1295)        | (1297)        | (1297)        |
| <b>MERCEDES</b> |               |               |               |               |
| <b>M.A.N.</b>   |               |               |               |               |
| <b>IVECO</b>    |               |               |               |               |
| <b>R.V.I.</b>   |               |               |               |               |
| <b>DAF</b>      |               |               |               |               |
| <b>VOLVO</b>    |               |               |               |               |

**Ratios**

|               | <b>R.10,14-0,72</b> | <b>R.11,46-0,85</b> | <b>R.13,68-1,00</b> | <b>R.14,29-0,82</b> | <b>R.17,06-1,00</b> |
|---------------|---------------------|---------------------|---------------------|---------------------|---------------------|
|               | <b>A</b>            | <b>B</b>            | <b>C</b>            | <b>D</b>            | <b>E</b>            |
| <b>16S112</b> |                     |                     |                     |                     |                     |
| <b>16S130</b> |                     |                     |                     |                     |                     |
| <b>16S160</b> |                     |                     |                     |                     |                     |
| <b>16S190</b> |                     |                     |                     |                     |                     |

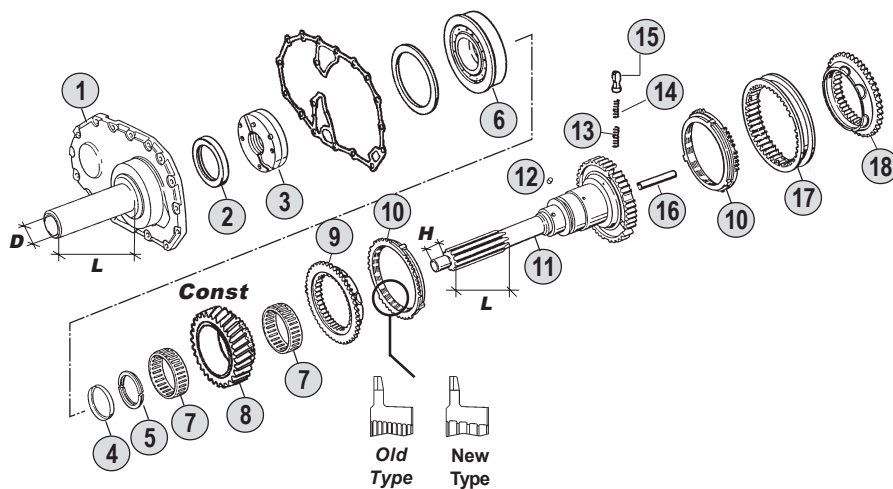
All original equipment manufacturers numbers, symbols, pictures, models and description used in this catalogue are for reference only, and it is not implied that any part listed is the product of these manufacturers. Tutti i nostri particolari non sono originali ma con essi intercambiabili. I riferimenti originali, le figure, i modelli sono esposti a semplice titolo indicativo. La nostra produzione riporta il nostro marchio.

**ECO I**  
From 16S130  
To 16S160

Suitable To : **ZF**

**16S130 - 16S160**

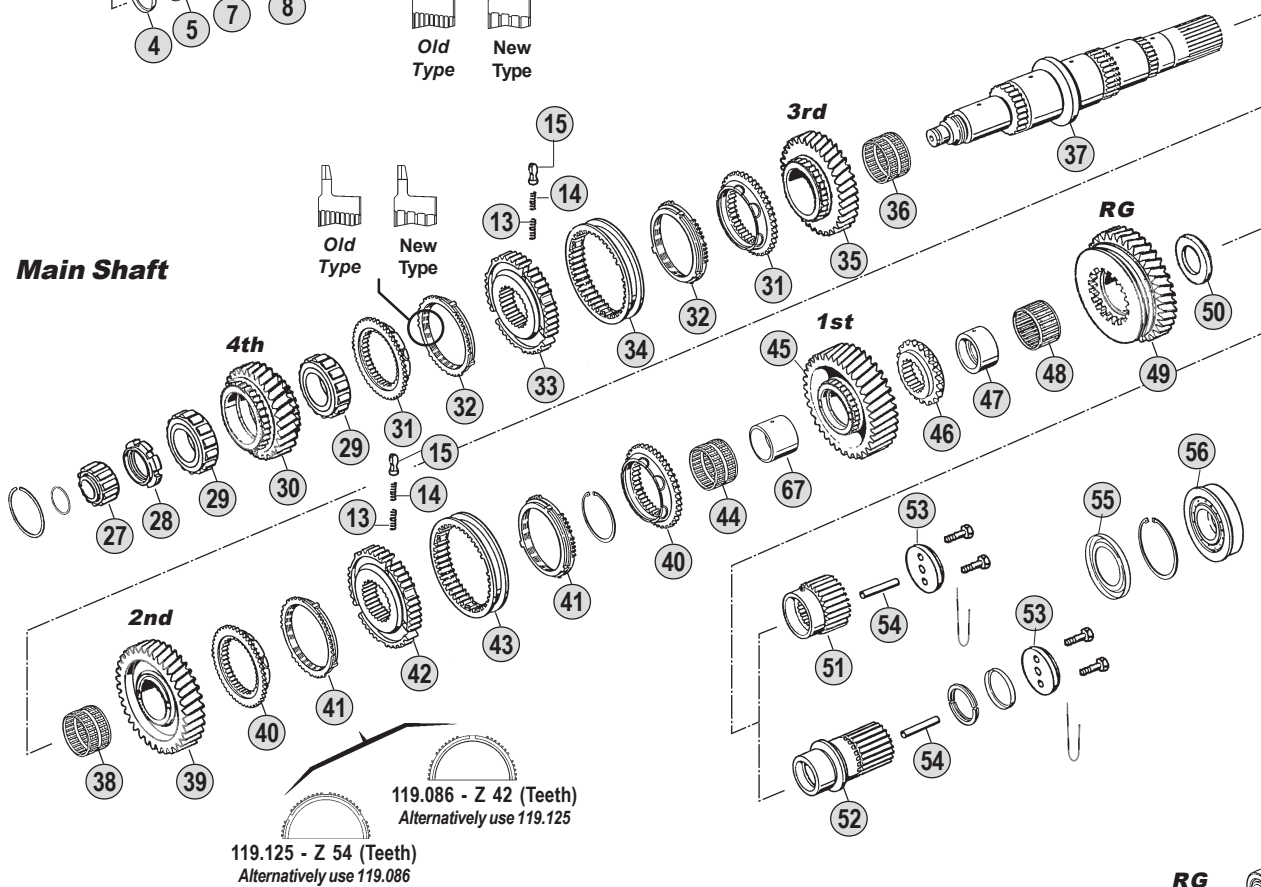
**Input Shaft**



**Springs & Slides Kits**

|               |               |               |
|---------------|---------------|---------------|
| x 3           | x 6           | x 9           |
| x 3           | x 6           | x 9           |
| x 3           | x 6           | x 9           |
| <b>Kit 68</b> | <b>Kit 69</b> | <b>Kit 70</b> |

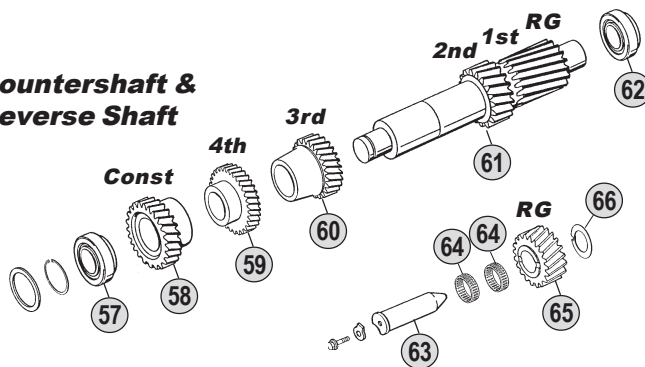
**Main Shaft**



**Kits**



**Countershaft & Reverse Shaft**



**Ratios**

|               |               |                 |                 |                 |               |
|---------------|---------------|-----------------|-----------------|-----------------|---------------|
| <b>16S130</b> | A: 10,14-0,72 | B: 11,46 - 0,85 | C: 13,68 - 1,00 | D: 14,29 - 0,82 | E: --         |
| <b>16S160</b> | A: --         | B: 11,46 - 0,85 | C: 13,68 - 1,00 | D: 14,29 - 0,82 | E: 17,06-1,00 |



All original equipment manufacturers' numbers, symbols, pictures, models and description used in this catalogue are for reference only, and it is not implied that any part listed is the product of these manufacturers. Tutti i nostri particolari non sono originali ma con essi intercambiabili. I riferimenti originali, le figure, i modelli sono esposti a semplice titolo indicativo. La nostra produzione riporta il nostro marchio.

| Fig. | CEI no.        | O.E.M. Reference |           | Description                 | Q.ty | Note          | Ratio |               |               |  |  |  |  |  |
|------|----------------|------------------|-----------|-----------------------------|------|---------------|-------|---------------|---------------|--|--|--|--|--|
|      |                | ZF no.           | VOLVO no. |                             |      |               |       | 16S130 (1286) | 16S160 (1297) |  |  |  |  |  |
| 1    |                | 1297 302 082     | 1526687   | Front Cover                 | 1    | L=190-D=66    |       | ●             | ●             |  |  |  |  |  |
| 2    | 139.754        | 0734 310 386     | 1526688   | Oil Seal 55x75x8            | 1    | 55x75x8       |       | ●             | ●             |  |  |  |  |  |
| 3    | <b>280.348</b> | 1295 202 041     | 1526685   | Oil Pump                    | 1    |               |       | ●             | ●             |  |  |  |  |  |
| 4    | 169.754        | 0730 061 816     | 1526683   | Securing Ring               | 1    |               |       | ●             | ●             |  |  |  |  |  |
| 4    | 169.755        | 0730 062 579     |           | Securing Ring               | 1    | S.4,20 mm     |       | ●             | ●             |  |  |  |  |  |
| 5    |                | 0730 103 244     | 1526673   | Split Ring T.4,30 mm        | 1    | S.4,30 mm (2) |       | ●             | ●             |  |  |  |  |  |
| 5    |                | 0730 103 935     | 1526682   | Split Ring T.3,80 mm        | 1    | S.3,80 mm (2) |       | ●             | ●             |  |  |  |  |  |
| 5    |                | 0730 105 156     |           | Split Ring T.4,00 mm        | 1    | S.4,00 mm (3) |       | ●             | ●             |  |  |  |  |  |
| 5    |                | 0730 105 154     |           | Split Ring T.3,80 mm        | 1    | S.3,80 mm (3) |       | ●             | ●             |  |  |  |  |  |
| 6    | 130.305        | 0750 118 131     | 1526672   | Bearing D.80x150x27,50      | 1    |               |       | ●             | ●             |  |  |  |  |  |
| 7    | <b>137.082</b> | 0735 320 786     | 1526694   | Needle Cage D.88x96x24,50   | 2    |               |       | ●             |               |  |  |  |  |  |
| 7    | <b>137.153</b> | 0735 320 896     | 1662581   | Needle Cage D.88x96x29      | 2    |               |       |               | ●             |  |  |  |  |  |
| 8    | <b>145.276</b> | 1295 302 071     | 1526693   | Constant Gear 28 T          | 1    |               | AC    | ●             |               |  |  |  |  |  |
| 8    | 145.489        | 1295 302 070     |           | Constant Gear 30 T          | 1    |               | B     | ●             |               |  |  |  |  |  |
| 8    | 145.541        | 1295 302 122     |           | Constant Gear 29 T          | 1    |               | D     | ●             |               |  |  |  |  |  |
| 8    | <b>145.466</b> | 1297 302 177     |           | Constant Gear 30 T          | 1    |               | B     |               | ●             |  |  |  |  |  |
| 8    | <b>145.406</b> | 1297 302 176     | 1662513   | Constant Gear 28 T          | 1    |               | C     |               | ●             |  |  |  |  |  |
| 8    | <b>145.405</b> | 1297 302 250     |           | Constant Gear 29 T          | 1    |               | D     |               | ●             |  |  |  |  |  |
| 8    | <b>145.407</b> | 1297 302 241     |           | Constant Gear 26 T          | 1    |               | E     |               | ●             |  |  |  |  |  |
| 9    | <b>109.072</b> | 1295 304 278     | 1527438   | Synchronizer Cone           | 1    |               |       | ●             | ●             |  |  |  |  |  |
| 10   | <b>119.084</b> | 1295 304 004     | 1526697   | Synchronizer Ring           | 2    | Old Type      |       | ●             | ●             |  |  |  |  |  |
| 10   | <b>119.175</b> | 1304 304 686     |           | Synchronizer Ring           | 2    | New Type      |       | ●             | ●             |  |  |  |  |  |
| 11   | 102.251        | 1295 202 008     | 1527331   | Input Shaft                 | 1    |               |       | ●             |               |  |  |  |  |  |
| 11   |                | 1297 202 054     | 1662583   | Input Shaft                 | 1    |               |       |               | ●             |  |  |  |  |  |
| 11   |                | 1297 202 003     |           | Input Shaft                 | 1    |               |       |               | ●             |  |  |  |  |  |
| 12   |                | 0635 470 012     | 1526684   | Pin                         | 1    |               |       | ●             | ●             |  |  |  |  |  |
| 13   | <b>156.037</b> | 0732 040 385     | 6635322   | Outer Spring De.6x34        | 3    |               |       | ●             | ●             |  |  |  |  |  |
| 14   | <b>156.036</b> | 0732 040 386     | 6635323   | Inner Spring De.3x34        | 3    |               |       | ●             | ●             |  |  |  |  |  |
| 15   | <b>160.116</b> | 1240 304 278     | 6635324   | Pressure Piece              | 3    |               |       | ●             | ●             |  |  |  |  |  |
| 16   | 188.208        | 0730 062 323     |           | Oil Tube                    | 1    |               |       | ●             | ●             |  |  |  |  |  |
| 17   | <b>154.097</b> | 1295 304 002     | 1526696   | Sliding Sleeve              | 1    |               |       | ●             | ●             |  |  |  |  |  |
| 18   | <b>109.072</b> | 1295 304 278     | 1527438   | Synchronizer Cone           | 1    |               |       | ●             | ●             |  |  |  |  |  |
| 27   | 137.081        | 0750 118 010     | 1526747   | Roller Cage D.30x60x25,50   | 1    |               |       | ●             |               |  |  |  |  |  |
| 27   | 137.113        | 0750 118 038     | 1662534   | Roller Cage D.35x68x27,50   | 1    |               |       |               | ●             |  |  |  |  |  |
| 28   | 187.412        | 0737 502 092     | 1526746   | Grooved Nut M60x1,5         | 1    |               |       | ●             | ●             |  |  |  |  |  |
| 29   | 137.083        | 0750 118 005     | 1526744   | Roller Cage D.63x97,5x34,80 | 2    |               |       | ●             |               |  |  |  |  |  |
| 29   | 137.157        | 0750 118 220     | 1662532   | Roller Cage D.63x97,5x37,50 | 2    |               |       |               | ●             |  |  |  |  |  |
| 30   | <b>146.212</b> | 1295 304 135     | 1526745   | Gear 4th Speed 30 T         | 1    |               | AC    | ●             |               |  |  |  |  |  |
| 30   | <b>146.356</b> | 1295 304 136     |           | Gear 4th Speed 28 T         | 1    |               | B     | ●             |               |  |  |  |  |  |
| 30   | <b>146.454</b> | 1295 304 236     |           | Gear 4th Speed 26 T         | 1    |               | D     | ●             |               |  |  |  |  |  |
| 30   | <b>146.384</b> | 1297 304 267     |           | Gear 4th Speed 28 T         | 1    |               | B     |               | ●             |  |  |  |  |  |
| 30   | <b>146.318</b> | 1297 304 260     | 1662533   | Gear 4th Speed 30 T         | 1    |               | C     |               | ●             |  |  |  |  |  |
| 30   | <b>146.315</b> | 1297 304 318     |           | Gear 4th Speed 26 T         | 1    |               | D     |               | ●             |  |  |  |  |  |
| 30   | <b>146.294</b> | 1297 304 413     |           | Gear 4th Speed 29 T         | 1    |               | E     |               | ●             |  |  |  |  |  |
| 31   | <b>109.072</b> | 1295 304 278     | 1527438   | Synchronizer Cone           | 2    |               |       | ●             | ●             |  |  |  |  |  |

## Notes

- (2) To be coupled together with Fig. 4 - 0730 061 816  
 (3) To be coupled together with Fig. 4 - 0730 062 579  
 (6) Old Type. Old Syncro Ring Ø 175.5 mm ( Z 57 or 30)  
 Standard Syncro Ring Ø 192 mm ( Z 63 or 54)  
 Use items marked (6) together

## Date

03 / 2006

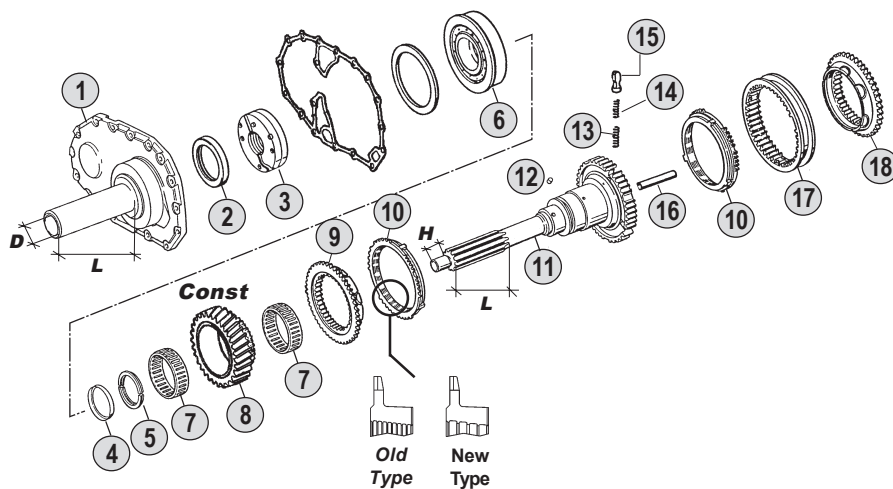
## Table

024 / A

Suitable To : **ZF**

**16S130 - 16S160**

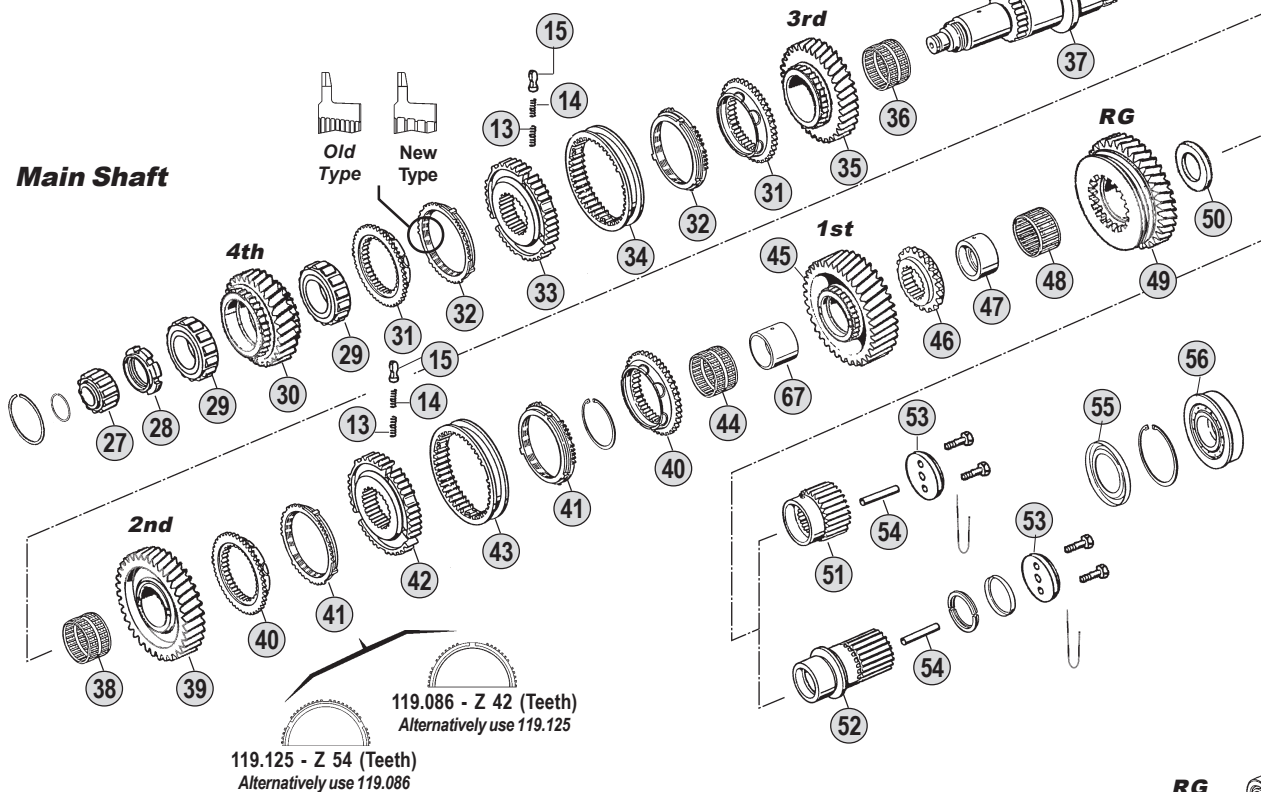
**Input Shaft**



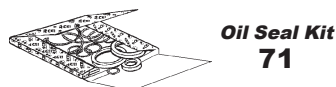
**Springs & Slides Kits**

|               |               |               |
|---------------|---------------|---------------|
| x 3           | x 6           | x 9           |
| x 3           | x 6           | x 9           |
| x 3           | x 6           | x 9           |
| <b>Kit 68</b> | <b>Kit 69</b> | <b>Kit 70</b> |

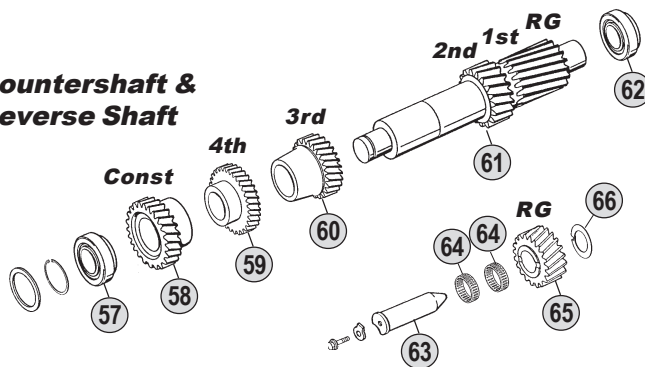
**Main Shaft**



**Kits**



**Countershaft & Reverse Shaft**



**Ratios**

|               |               |                 |                 |                 |              |
|---------------|---------------|-----------------|-----------------|-----------------|--------------|
| <b>16S130</b> | A: 10,14-0,72 | B: 11,46 - 0,85 | C: 13,68 - 1,00 | D: 14,29 - 0,82 | E:--         |
| <b>16S160</b> | A:--          | B: 11,46 - 0,85 | C: 13,68 - 1,00 | D: 14,29 - 0,82 | E:17,06-1,00 |



All original equipment manufacturers' numbers, symbols, pictures, models and description used in this catalogue are for reference only, and it is not implied that any part listed is the product of these manufacturers. Tutti i nostri particolari non sono originali ma con essi intercambiabili. I riferimenti originali, le figure, i modelli sono esposti a semplice titolo indicativo. La nostra produzione riporta il nostro marchio.

| Fig. | O.E.M. Reference |              | Description | Q.ty                         | Note | Ratio                   |           |               |               |  |  |  |
|------|------------------|--------------|-------------|------------------------------|------|-------------------------|-----------|---------------|---------------|--|--|--|
|      | CEI no.          | ZF no.       |             |                              |      |                         | VOLVO no. | 16S130 (1286) | 16S160 (1297) |  |  |  |
| 32   | 119.084          | 1295 304 004 | 1526697     | Synchronizer Ring            | 2    | Old Type                | ●         | ●             |               |  |  |  |
| 32   | 119.175          | 1304 304 686 |             | Synchronizer Ring            | 2    | New Type                | ●         | ●             |               |  |  |  |
| 33   | 157.110          | 1297 304 031 | 1526733     | Synchronizer Hub             | 1    |                         | ●         | ●             |               |  |  |  |
| 34   | 154.097          | 1295 304 002 | 1526696     | Sliding Sleeve               | 1    |                         | ●         | ●             |               |  |  |  |
| 35   |                  | 1295 304 269 |             | Gear 3rd Speed 25 T          | 1    | A                       | ●         |               |               |  |  |  |
| 35   | 145.495          | 1295 304 127 |             | Gear 3rd Speed 32 T          | 1    | BD                      | ●         |               |               |  |  |  |
| 35   | 145.277          | 1295 304 128 | 1526743     | Gear 3rd Speed 34 T          | 1    | C                       | ●         |               |               |  |  |  |
| 35   | 145.470          | 1297 304 266 |             | Gear 3rd Speed 32 T          | 1    | BD                      |           | ●             |               |  |  |  |
| 35   | 145.450          | 1297 304 261 | 1662530     | Gear 3rd Speed 34 T          | 1    | C                       |           | ●             |               |  |  |  |
| 35   | 145.377          | 1297 304 414 |             | Gear 3rd Speed 34 T          | 1    | E                       |           | ●             |               |  |  |  |
| 36   | 137.084          | 0735 320 418 | 1526731     | Needle Cage D.82x90x49       | 1    |                         | ●         |               |               |  |  |  |
| 36   | 137.112          | 0735 320 451 | 1662531     | Needle Cage D.82x90x60       | 1    |                         |           | ●             |               |  |  |  |
| 37   |                  | 1295 304 273 |             | Main Shaft                   | 1    | A                       | ●         |               |               |  |  |  |
| 37   | 103.075          | 1295 304 245 | 1527322     | Main Shaft                   | 1    | BC                      | ●         |               |               |  |  |  |
| 37   | 103.140          | 1295 304 250 |             | Main Shaft                   | 1    | D                       | ●         |               |               |  |  |  |
| 37   | 103.132          | 1297 304 181 | 1662519     | Main Shaft                   | 1    | BC                      |           | ●             |               |  |  |  |
| 37   | 103.098          | 1297 304 193 |             | Main Shaft                   | 1    | DE                      |           | ●             |               |  |  |  |
| 38   | 137.112          | 0735 320 451 | 1662531     | Needle Cage D.82x90x60       | 1    | A                       | ●         |               |               |  |  |  |
| 38   | 137.084          | 0735 320 418 | 1526731     | Needle Cage D.82x90x49       | 1    | BCD                     | ●         |               |               |  |  |  |
| 38   | 137.109          | 0735 320 452 | 1662520     | Needle Cage D.82x90x55       | 1    |                         |           | ●             |               |  |  |  |
| 39   |                  | 1295 304 271 |             | Gear 2nd Speed 34 T          | 1    | A                       | ●         |               |               |  |  |  |
| 39   | 145.501          | 1295 304 120 |             | Gear 2nd Speed 37 T          | 1    | BD                      | ●         |               |               |  |  |  |
| 39   | 145.278          | 1295 304 121 | 1526732     | Gear 2nd Speed 38 T          | 1    | C                       | ●         |               |               |  |  |  |
| 39   | 145.500          | 1297 304 269 |             | Gear 2nd Speed 37 T          | 1    | BD                      |           | ●             |               |  |  |  |
| 39   | 145.375          | 1297 304 442 | 1662521     | Gear 2nd Speed 38 T          | 1    | CE                      |           | ●             |               |  |  |  |
| 40   | 109.074          | 1297 304 196 | 6889868     | Synchronizer Cone            | 2    |                         | ●         | ●             |               |  |  |  |
| 40   | 109.072          | 1295 304 278 | 1527438     | Synchronizer Cone            | 2    | (6)                     | ●         |               |               |  |  |  |
| 41   | 119.125          | 1296 304 135 | 6889866     | Synchronizer Ring            | 2    | Z 54 - Alt. use 119.086 | ●         | ●             |               |  |  |  |
| 41   | 119.086          | 1246 304 278 | 6889866     | Synchronizer Ring 42 T       | 2    | Z 42 - Alt. use 119.125 | ●         | ●             |               |  |  |  |
| 41   | 119.084          | 1295 304 004 | 1526697     | Synchronizer Ring            | 2    | (6)                     | ●         |               |               |  |  |  |
| 42   | 157.111          | 1297 304 195 | 6889865     | Synchronizer Hub             | 1    |                         | ●         | ●             |               |  |  |  |
| 42   | 157.110          | 1297 304 031 | 1526733     | Synchronizer Hub             | 1    | (6)                     | ●         |               |               |  |  |  |
| 43   | 154.051          | 1257 304 020 | 6857262     | Sliding Sleeve 1st-2nd Speed | 1    |                         | ●         | ●             |               |  |  |  |
| 43   | 154.097          | 1295 304 002 | 1526696     | Sliding Sleeve               | 1    | (6)                     | ●         |               |               |  |  |  |
| 44   | 137.159          | 0735 320 548 |             | Needle Cage D.70x78x46       | 1    | A                       | ●         |               |               |  |  |  |
| 44   | 137.085          | 0735 320 496 | 1526736     | Needle Cage D.70x78x55       | 1    | BCD                     | ●         |               |               |  |  |  |
| 44   | 137.110          | 0735 320 487 | 1662523     | Needle Cage D.82x90x68       | 1    |                         |           | ●             |               |  |  |  |
| 45   |                  | 1295 304 270 |             | Gear 1st Speed 41 T          | 1    | A                       | ●         |               |               |  |  |  |
| 45   | 145.506          | 1295 304 203 |             | Gear 1st Speed 44 T          | 1    | BD                      | ●         |               |               |  |  |  |
| 45   | 145.279          | 1295 304 202 | 1527332     | Gear 1st Speed 47 T          | 1    | C                       | ●         |               |               |  |  |  |
| 45   | 145.507          | 1297 304 270 |             | Gear 1st Speed 44 T          | 1    | BD                      |           | ●             |               |  |  |  |
| 45   | 145.376          | 1297 304 441 | 1662524     | Gear 1st Speed 47 T          | 1    | CE                      |           | ●             |               |  |  |  |
| 46   | 109.184          | 1295 304 024 | 1526738     | Engaging Ring                | 1    | A                       | ●         |               |               |  |  |  |
| 46   | 109.075          | 1295 304 206 | 1527323     | Engaging Ring                | 1    | BCD                     | ●         |               |               |  |  |  |
| 46   | 109.178          | 1297 304 154 | 1662525     | Engaging Ring                | 1    |                         | ●         |               |               |  |  |  |

## Notes

- (2) To be coupled together with Fig. 4 - 0730 061 816  
 (3) To be coupled together with Fig. 4 - 0730 062 579  
 (6) Old Type. Old Syncro Ring Ø 175.5 mm ( Z 57 or 30)  
 Standard Syncro Ring Ø 192 mm (Z 63 or 54)  
 Use items marked (6) together

## Date

03 / 2006

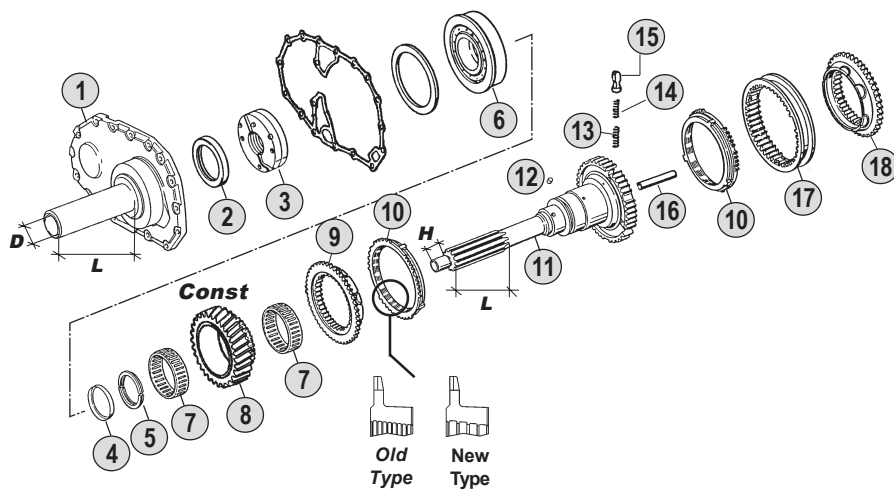
## Table

024 / A

Suitable To : **ZF**

**16S130 - 16S160**

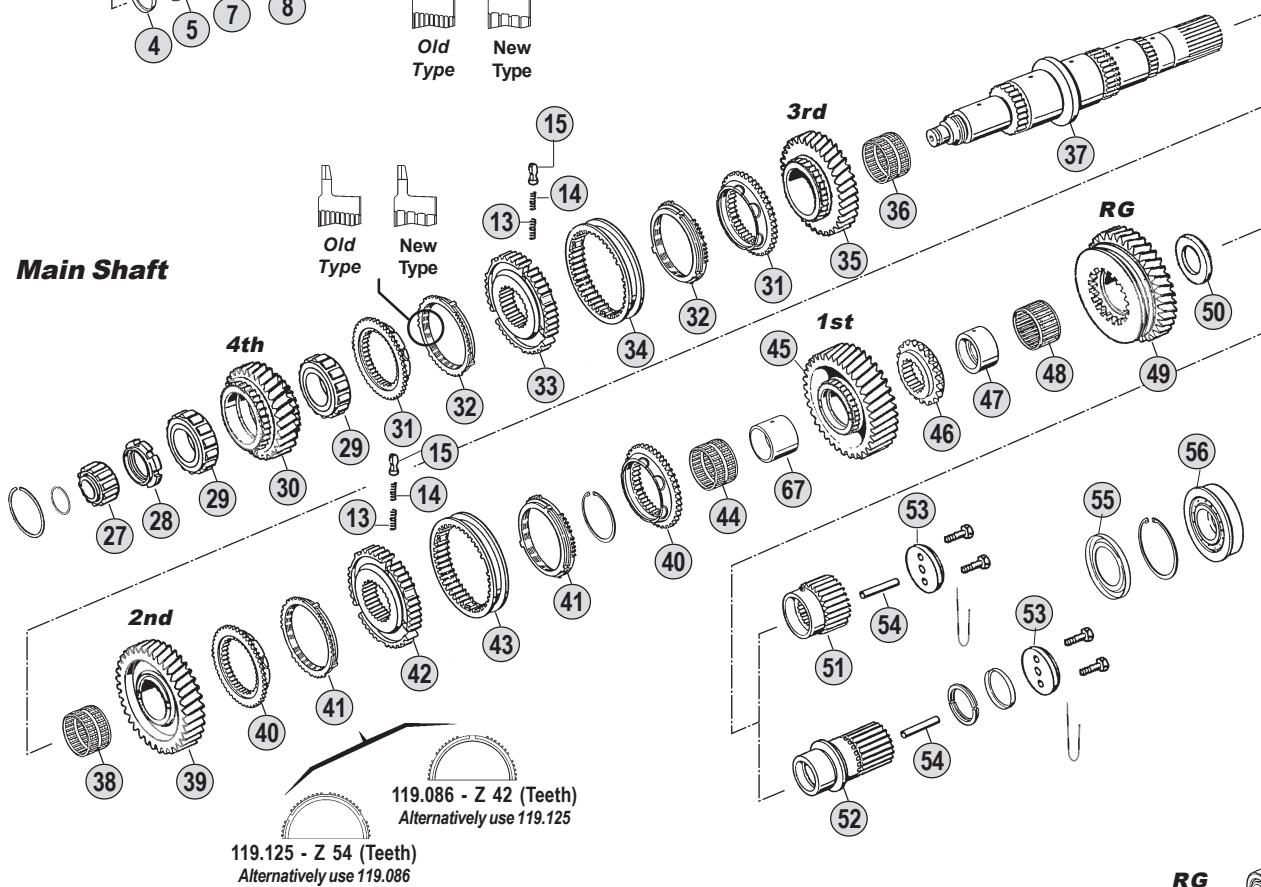
**Input Shaft**



**Springs & Slides Kits**

|               |               |               |
|---------------|---------------|---------------|
| x 3           | x 6           | x 9           |
| x 3           | x 6           | x 9           |
| x 3           | x 6           | x 9           |
| <b>Kit 68</b> | <b>Kit 69</b> | <b>Kit 70</b> |

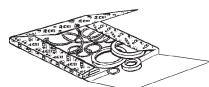
**Main Shaft**



**Kits**

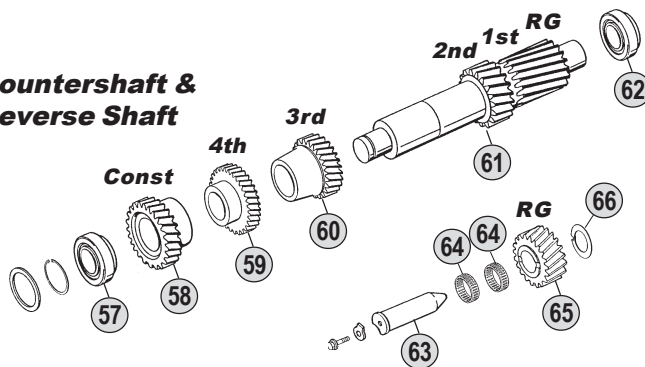


**Gasket Kit 72**



**Oil Seal Kit 71**

**Countershaft & Reverse Shaft**



**Ratios**

|               |               |                 |                 |                 |               |
|---------------|---------------|-----------------|-----------------|-----------------|---------------|
| <b>16S130</b> | A: 10,14-0,72 | B: 11,46 - 0,85 | C: 13,68 - 1,00 | D: 14,29 - 0,82 | E: --         |
| <b>16S160</b> | A: --         | B: 11,46 - 0,85 | C: 13,68 - 1,00 | D: 14,29 - 0,82 | E: 17,06-1,00 |

All original equipment manufacturers' numbers, symbols, pictures, models and description used in this catalogue are for reference only, and it is not implied that any part listed is the product of these manufacturers. Tutti i nostri particolari non sono originali ma con essi intercambiabili. I riferimenti originali, le figure, i modelli sono esposti a semplice titolo indicativo. La nostra produzione riporta il nostro marchio.

| Fig. | CEI no. | O.E.M. Reference |           | Description            | Q.ty | Note | Ratio |               |               |  |  |  |  |  |
|------|---------|------------------|-----------|------------------------|------|------|-------|---------------|---------------|--|--|--|--|--|
|      |         | ZF no.           | VOLVO no. |                        |      |      |       | 16S130 (1286) | 16S160 (1297) |  |  |  |  |  |
| 47   | 117.203 | 1295 304 012     | 1526739   | Bush D.60x75x38        | 1    |      | ABC   | ●             |               |  |  |  |  |  |
| 47   | 117.318 | 1297 304 034     | 1662526   | Bush                   | 1    |      | BC    |               | ●             |  |  |  |  |  |
| 48   | 137.086 | 0750 115 059     | 1526740   | Needle Cage D.75x83x40 | 1    |      |       | ●             |               |  |  |  |  |  |
| 48   | 137.111 | 0735 320 486     | 1662527   | Needle Cage D.78x86x44 | 1    |      |       |               | ●             |  |  |  |  |  |
| 49   |         | 1295 304 272     |           | Reverse Gear 39 T      | 1    |      | A     | ●             |               |  |  |  |  |  |
| 49   | 147.138 | 1295 304 201     |           | Reverse Gear 39 T      | 1    |      | BD    | ●             |               |  |  |  |  |  |
| 49   | 147.093 | 1295 304 200     | 1527434   | Reverse Gear 38 T      | 1    |      | C     | ●             |               |  |  |  |  |  |
| 49   | 147.109 | 1297 304 149     |           | Reverse Gear 39 T      | 1    |      | BD    |               | ●             |  |  |  |  |  |
| 49   | 147.140 | 1297 304 148     | 1662528   | Reverse Gear 38 T      | 1    |      | CE    |               | ●             |  |  |  |  |  |
| 50   | 169.409 | 1295 304 240     | 1527324   | Thrust Washer          | 1    |      | ABC   | ●             |               |  |  |  |  |  |
| 50   | 169.757 | 1297 304 381     | 1662529   | Thrust Washer          | 1    |      | BC    |               | ●             |  |  |  |  |  |
| 51   | 157.112 | 1295 304 248     | 1527334   | Sun Gear 27 T          | 1    |      | ABC   | ●             |               |  |  |  |  |  |
| 51   | 157.177 | 1297 304 187     | 1662539   | Sun Gear 27 T          | 1    |      | BC    |               | ●             |  |  |  |  |  |
| 52   | 157.207 | 1295 304 251     |           | Sun Gear 24 T          | 1    |      | D     | ●             |               |  |  |  |  |  |
| 52   | 157.198 | 1297 304 439     |           | Sun Gear 24 T          | 1    |      | DE    |               | ●             |  |  |  |  |  |
| 53   | 188.076 | 1272 304 021     | 1527325   | Stop Washer            | 1    |      |       | ●             | ●             |  |  |  |  |  |
| 54   |         | 0730 061 842     | 1526762   | Oil Tube               | 1    |      |       | ●             | ●             |  |  |  |  |  |
| 55   |         | 1295 304 129     | 1526665   | Oil Collector          | 1    |      | ABC   | ●             |               |  |  |  |  |  |
| 55   |         | 1297 301 004     | 1662580   | Oil Collector          | 1    |      | D     | ●             |               |  |  |  |  |  |
| 55   |         | 1297 301 004     | 1662580   | Oil Collector          | 1    |      |       |               | ●             |  |  |  |  |  |
| 56   | 130.240 | 0750 118 153     | 1526658   | Bearing D.60x130x31    | 1    |      | ABC   | ●             |               |  |  |  |  |  |
| 56   |         | 0750 118 137     |           | Bearing 80x140x26      | 1    |      | D     | ●             |               |  |  |  |  |  |
| 56   | 130.702 | 0750 118 006     | 1662502   | Bearing 65x140x33      | 1    |      | BC    |               | ●             |  |  |  |  |  |
| 56   | 130.703 | 0750 118 180     |           | Bearing 80x140x33      | 1    |      | DE    |               | ●             |  |  |  |  |  |
| 57   | 130.242 | 0750 117 010     | 1526724   | Bearing D.50,80x100x35 | 1    |      |       | ●             | ●             |  |  |  |  |  |
| 58   | 146.210 | 1295 303 101     | 1526729   | Constant Gear 34 T     | 1    |      | AC    | ●             |               |  |  |  |  |  |
| 58   | 146.354 | 1295 303 036     |           | Constant Gear 31 T     | 1    |      | B     | ●             |               |  |  |  |  |  |
| 58   | 146.457 | 1295 303 060     |           | Constant Gear 32 T     | 1    |      | D     | ●             |               |  |  |  |  |  |
| 58   | 146.383 | 1297 303 074     |           | Constant Gear 31 T     | 1    |      | B     |               | ●             |  |  |  |  |  |
| 58   | 146.322 | 1297 303 066     | 1662517   | Constant Gear 34 T     | 1    |      | C     |               | ●             |  |  |  |  |  |
| 58   | 146.319 | 1297 303 098     |           | Constant Gear 32 T     | 1    |      | D     |               | ●             |  |  |  |  |  |
| 58   | 146.321 | 1297 303 086     |           | Constant Gear 35 T     | 1    |      | E     |               | ●             |  |  |  |  |  |
| 59   | 146.209 | 1295 303 027     | 1526728   | Gear 4th Speed 31 T    | 1    |      | AC    | ●             |               |  |  |  |  |  |
| 59   | 146.413 | 1295 303 028     |           | Gear 4th Speed 34 T    | 1    |      | B     | ●             |               |  |  |  |  |  |
| 59   | 146.461 | 1295 303 094     |           | Gear 4th Speed 35 T    | 1    |      | D     | ●             |               |  |  |  |  |  |
| 59   | 146.382 | 1297 303 072     |           | Gear 4th Speed 34 T    | 1    |      | B     |               | ●             |  |  |  |  |  |
| 59   | 146.381 | 1297 303 065     | 1662518   | Gear 4th Speed 31 T    | 1    |      | C     |               | ●             |  |  |  |  |  |
| 59   | 146.415 | 1297 303 097     |           | Gear 4th Speed 35 T    | 1    |      | D     |               | ●             |  |  |  |  |  |
| 59   | 146.416 | 1297 303 123     |           | Gear 4th Speed 32 T    | 1    |      | E     |               | ●             |  |  |  |  |  |
| 60   |         | 1295 303 071     |           | Gear 3rd Speed 36 T    | 1    |      | A     | ●             |               |  |  |  |  |  |
| 60   | 146.355 | 1295 303 025     |           | Gear 3rd Speed 28 T    | 1    |      | BD    | ●             |               |  |  |  |  |  |
| 60   | 146.211 | 1295 303 026     | 1526727   | Gear 3rd Speed 25 T    | 1    |      | C     | ●             |               |  |  |  |  |  |
| 60   | 146.357 | 1297 303 073     |           | Gear 3rd Speed 28 T    | 1    |      | BD    |               | ●             |  |  |  |  |  |
| 60   | 146.421 | 1297 303 067     | 1662516   | Gear 3rd Speed 25 T    | 1    |      | C     |               | ●             |  |  |  |  |  |
| 60   | 146.422 | 1297 303 132     |           | Gear 3rd Speed 26 T    | 1    |      | E     |               | ●             |  |  |  |  |  |

## Notes

- (2) To be coupled together with Fig. 4 - 0730 061 816  
 (3) To be coupled together with Fig. 4 - 0730 062 579  
 (6) Old Type. Old Syncro Ring Ø 175.5 mm ( Z 57 or 30)  
 Standard Syncro Ring Ø 192 mm ( Z 63 or 54)  
 Use items marked (6) together

## Date

03 / 2006

## Table

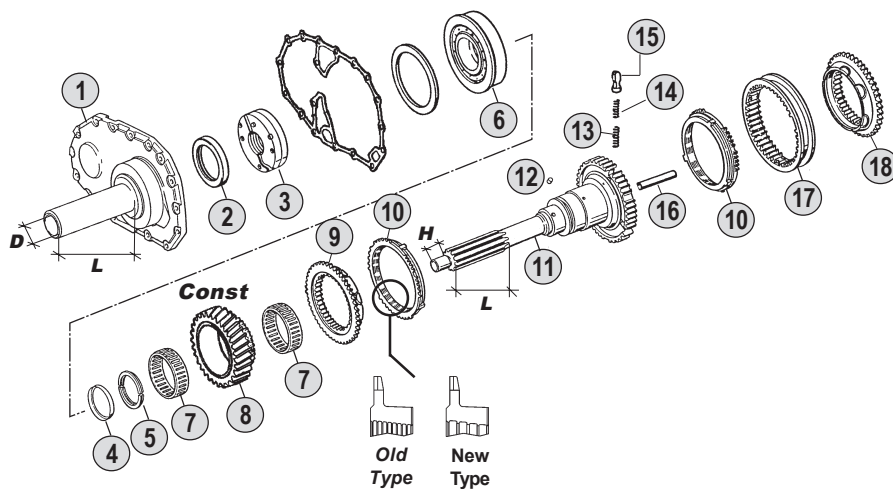
024 / A



Suitable To : **ZF**

**16S130 - 16S160**

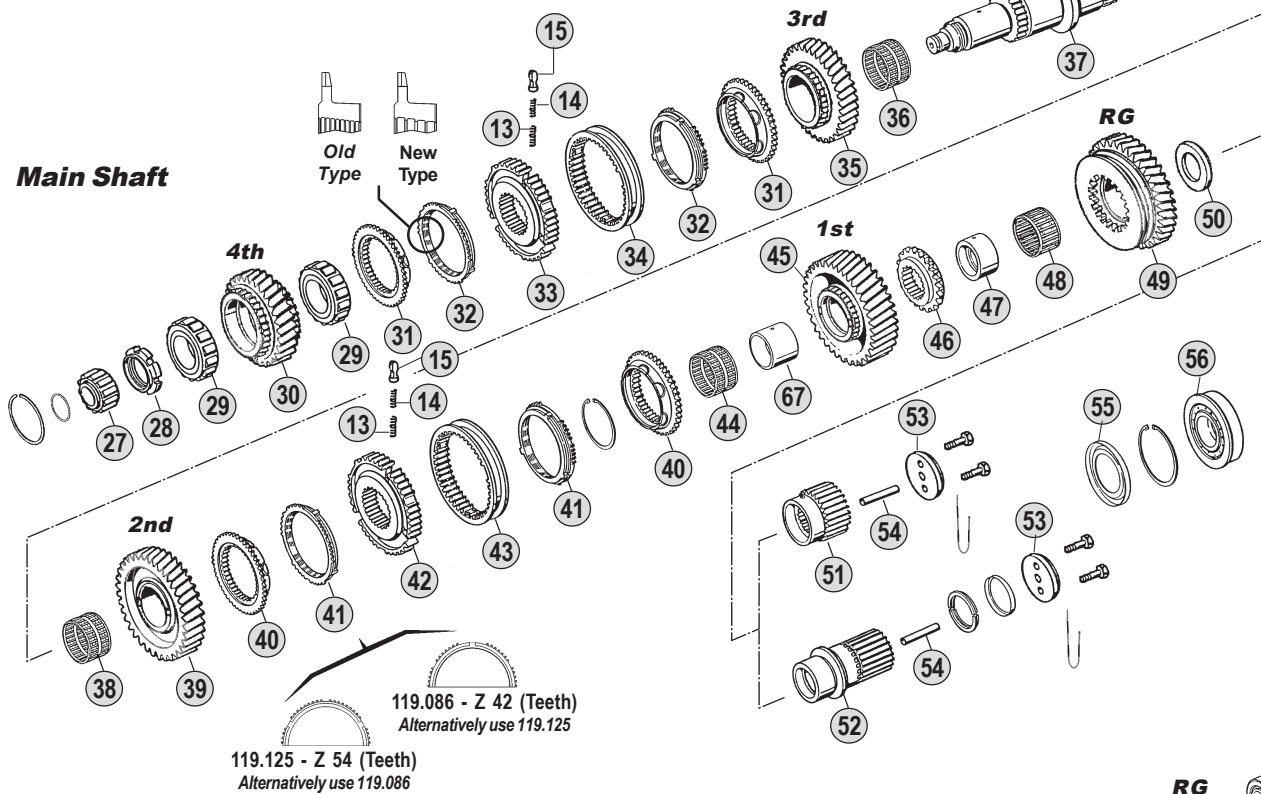
**Input Shaft**



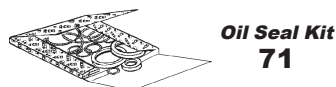
**Springs & Slides Kits**

|               |               |               |
|---------------|---------------|---------------|
| x 3           | x 6           | x 9           |
| x 3           | x 6           | x 9           |
| x 3           | x 6           | x 9           |
| <b>Kit 68</b> | <b>Kit 69</b> | <b>Kit 70</b> |

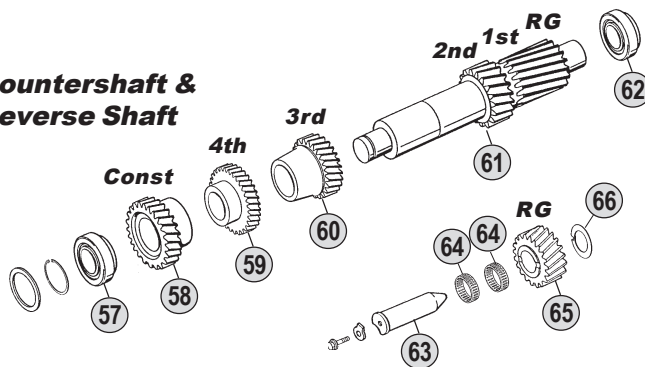
**Main Shaft**



**Kits**



**Countershaft & Reverse Shaft**



**Ratios**

|               |               |                 |                 |                 |               |
|---------------|---------------|-----------------|-----------------|-----------------|---------------|
| <b>16S130</b> | A: 10,14-0,72 | B: 11,46 - 0,85 | C: 13,68 - 1,00 | D: 14,29 - 0,82 | E: --         |
| <b>16S160</b> | A: --         | B: 11,46 - 0,85 | C: 13,68 - 1,00 | D: 14,29 - 0,82 | E: 17,06-1,00 |



All original equipment manufacturers' numbers, symbols, pictures, models and description used in this catalogue are for reference only, and it is not implied that any part listed is the product of these manufacturers. Tutti i nostri particolari non sono originali ma con essi intercambiabili. I riferimenti originali, le figure, i modelli sono esposti a semplice titolo indicativo. La nostra produzione riporta il nostro marchio.

16S130 (1286)  
16S160 (1297)

| Fig. | CEI no. | O.E.M. Reference |           | Description               | Q.ty | Note | Ratio |               |               |  |  |  |
|------|---------|------------------|-----------|---------------------------|------|------|-------|---------------|---------------|--|--|--|
|      |         | ZF no.           | VOLVO no. |                           |      |      |       | 16S130 (1286) | 16S160 (1297) |  |  |  |
| 61   |         | 1295 303 072     |           | Countershaft              | 1    |      | A     | ●             |               |  |  |  |
| 61   | 105.119 | 1295 303 067     |           | Countershaft 19-23 T      | 1    |      | BD    | ●             |               |  |  |  |
| 61   | 105.060 | 1295 303 066     | 1527344   | Countershaft 17-20 T      | 1    |      | C     | ●             |               |  |  |  |
| 61   | 105.092 | 1297 303 075     |           | Countershaft 19-23 T      | 1    |      | BD    |               | ●             |  |  |  |
| 61   | 105.093 | 1297 303 140     | 1662514   | Countershaft 17-20 T      | 1    |      | CE    |               | ●             |  |  |  |
| 62   | 130.243 | 0750 117 008     | 11062     | Bearing D.50x110x42       | 1    |      |       | ●             |               |  |  |  |
| 62   | 130.308 | 0750 117 009     | 1662515   | Bearing D.49,2x103,1x43,6 | 1    |      |       |               | ●             |  |  |  |
| 63   | 107.108 | 1295 305 056     | 1662509   | Reverse Gear Pin          | 1    |      |       | ●             | ●             |  |  |  |
| 64   | 137.007 | 0750 115 011     | 1526667   | Needle Cage D.45x53x21    | 2    |      |       | ●             | ●             |  |  |  |
| 65   | 147.153 | 1297 305 003     |           | Reverse Gear 21 T         | 1    |      | A     | ●             |               |  |  |  |
| 65   | 147.133 | 1295 305 051     |           | Reverse Gear 21 T         | 1    |      | BD    | ●             |               |  |  |  |
| 65   | 147.094 | 1295 305 052     | 1527321   | Reverse Gear 24 T         | 1    |      | C     | ●             |               |  |  |  |
| 65   | 147.133 | 1295 305 051     |           | Reverse Gear 21 T         | 1    |      | BD    |               | ●             |  |  |  |
| 65   | 147.094 | 1295 305 052     | 1527321   | Reverse Gear 24 T         | 1    |      | CE    |               | ●             |  |  |  |
| 66   | 169.234 | 0730 150 064     | 6635283   | Thrust Washer             | 1    |      |       | ●             | ●             |  |  |  |
| 67   | 117.246 | 1297 304 035     | 1662522   | Bush                      | 1    |      |       |               | ●             |  |  |  |
| 68   | 198.339 | 1268 298 938     |           | Spring Slide Set          | 1    |      |       | ●             | ●             |  |  |  |
| 69   | 198.564 | CEI 198564       |           | Spring Slide Set          | 1    |      |       | ●             | ●             |  |  |  |
| 70   | 198.842 | 1295 298 933     |           | Spring Slide Set          | 1    |      |       | ●             | ●             |  |  |  |
| 71   | 198.428 | 1295 298 960     |           | Oil Seal Ring Kit         | 1    |      |       | ●             | ●             |  |  |  |
| 72   | 198.427 | 1295 298 915     |           | Gasket Kit                | 1    |      |       | ●             | ●             |  |  |  |

## Notes

- (2) To be coupled together with Fig. 4 - 0730 061 816  
 (3) To be coupled together with Fig. 4 - 0730 062 579  
 (6) Old Type. Old Syncro Ring Ø 175.5 mm ( Z 57 or 30)  
 Standard Syncro Ring Ø 192 mm (Z 63 or 54)  
 Use items marked (6) together

## Date

03 / 2006

## Table

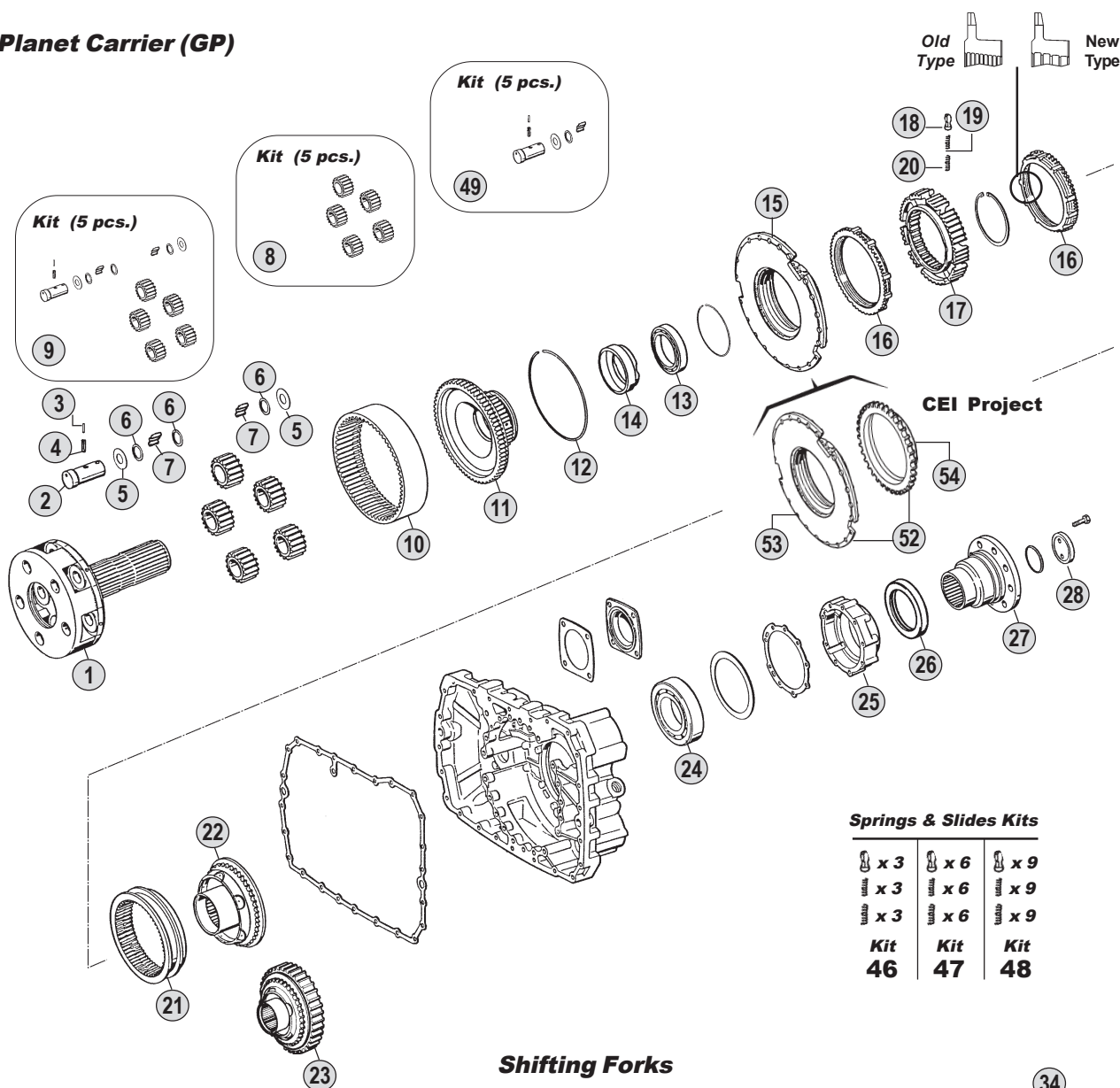
024 / A

All original equipment manufacturers numbers, symbols, pictures, models and description used in this catalogue are for reference only, and it is not implied that any part listed is the product of these manufactures.  
 Tutti i nostri particolari non sono originali ma con essi intercambiabili. I riferimenti originali, le figure, i modelli sono esposti a semplice titolo indicativo. La nostra produzione riporta il nostro marchio.

Suitable To : **ZF**

**16S130 - 16S160**

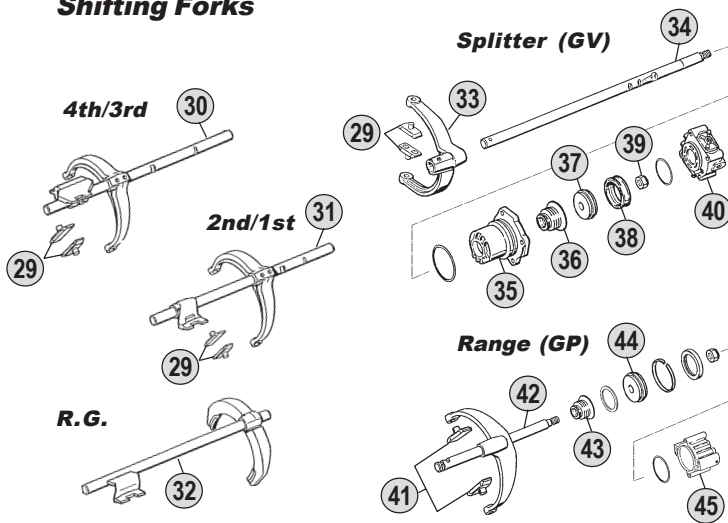
**Planet Carrier (GP)**



**Springs & Slides Kits**

|               |               |               |
|---------------|---------------|---------------|
| x 3           | x 6           | x 9           |
| x 3           | x 6           | x 9           |
| x 3           | x 6           | x 9           |
| <b>Kit 46</b> | <b>Kit 47</b> | <b>Kit 48</b> |

**Shifting Forks**



**Kits**



**Ratios**

|               |               |                 |                 |                 |              |
|---------------|---------------|-----------------|-----------------|-----------------|--------------|
| <b>16S130</b> | A: 10,14-0,72 | B: 11,46 - 0,85 | C: 13,68 - 1,00 | D: 14,29 - 0,82 | E:--         |
| <b>16S160</b> | A:--          | B: 11,46 - 0,85 | C: 13,68 - 1,00 | D: 14,29 - 0,82 | E:17,06-1,00 |

All original equipment manufacturers' numbers, symbols, pictures, models and description used in this catalogue are for reference only, and it is not implied that any part listed is the product of these manufactures. Tutti i nostri particolari non sono originali ma con essi intercambiabili. I riferimenti originali, le figure, i modelli sono esposti a semplice titolo indicativo. La nostra produzione riporta il nostro marchio.

| Fig. | CEI no.        | O.E.M. Reference |           | Description                     | Q.ty | Note     | Ratio |               |               |  |  |  |  |  |
|------|----------------|------------------|-----------|---------------------------------|------|----------|-------|---------------|---------------|--|--|--|--|--|
|      |                | ZF no.           | VOLVO no. |                                 |      |          |       | 16S130 (1286) | 16S160 (1297) |  |  |  |  |  |
| 1    | 190.169        | 1295 232 044     | 1699046   | Planetary Carrier               | 1    |          | ABC   | ●             |               |  |  |  |  |  |
| 1    | 190.395        | 1297 232 045     |           | Planetary Carrier               | 1    |          | D     | ●             |               |  |  |  |  |  |
| 1    | <b>190.396</b> | 1297 232 039     | 1662584   | Planetary Carrier               | 1    |          | BC    | ●             |               |  |  |  |  |  |
| 1    | 190.395        | 1297 232 045     |           | Planetary Carrier               | 1    |          | DE    | ●             |               |  |  |  |  |  |
| 2    | 107.089        | 1269 332 036     | 1526836   | Planet Shaft                    | 5    |          | ABC   | ●             |               |  |  |  |  |  |
| 2    | <b>107.163</b> | 1297 332 109     | 1662558   | Planet Shaft                    | 5    |          | D     | ●             |               |  |  |  |  |  |
| 2    | <b>107.163</b> | 1297 332 109     | 1662558   | Planet Shaft                    | 5    |          |       | ●             |               |  |  |  |  |  |
| 3    | <b>160.191</b> | 0631 329 017     | 1699048   | Lock Pin D.3x24                 | 5    |          |       | ● ●           |               |  |  |  |  |  |
| 4    | <b>160.192</b> | 0631 329 050     | 1699047   | Lock Pin D.5x24                 | 5    |          |       | ● ●           |               |  |  |  |  |  |
| 5    | 169.408        | 0501 305 887     | 1526834   | Thrust Washer D.29x57,50x1,50   | 10   |          | ABC   | ●             |               |  |  |  |  |  |
| 5    | <b>169.753</b> | 0501 306 212     | 1662556   | Thrust Washer D.29x64x1,5       | 10   |          | D     | ●             |               |  |  |  |  |  |
| 5    | <b>169.753</b> | 0501 306 212     | 1662556   | Thrust Washer D.29x64x1,5       | 10   |          |       | ●             |               |  |  |  |  |  |
| 6    | <b>169.410</b> | 0730 103 846     | 1526833   | Spacer Ring D.29x39x1,00        | 15   |          |       | ● ●           |               |  |  |  |  |  |
| 7    | <b>171.016</b> | 0735 470 057     | 1526835   | Roller Set D.6x14,75 (180 pcs)  | 180  |          | ABC   | ●             |               |  |  |  |  |  |
| 7    | <b>171.045</b> | 0750 119 109     | 1662557   | Roller Set D.10x16,80 (120 pcs) | 120  |          | D     | ●             |               |  |  |  |  |  |
| 7    | <b>171.045</b> | 0750 119 109     | 1662557   | Roller Set D.10x16,80 (120 pcs) | 120  |          |       | ●             |               |  |  |  |  |  |
| 8    | 198.357        | 1295 232 027     | 1527358   | Planetary Gear Set (5 pcs)      | 1    |          | ABC   | ●             |               |  |  |  |  |  |
| 8    | <b>198.810</b> | 1297 232 024     |           | Planetary Gear Set (5 pcs)      | 1    |          | D     | ●             |               |  |  |  |  |  |
| 8    | <b>198.803</b> | 1297 232 023     | 1662555   | Planetary Gear Set (5 pcs)      | 1    |          | BC    | ●             |               |  |  |  |  |  |
| 8    | <b>198.810</b> | 1297 232 024     |           | Planetary Gear Set (5 pcs)      | 1    |          | DE    | ●             |               |  |  |  |  |  |
| 9    | 198.562        | 1296 298 904     |           | Planetary Gear Set              | 1    |          | ABC   | ●             |               |  |  |  |  |  |
| 9    | <b>198.704</b> | 1297 298 912     |           | Planetary Gear Set              | 1    |          | BC    | ●             |               |  |  |  |  |  |
| 9    |                | 1297 298 919     |           | Planetary Gear Set              | 1    |          | DE    | ●             |               |  |  |  |  |  |
| 10   | 123.162        | 1295 332 053     | 1526844   | Crown Gear 83 T                 | 1    |          | ABC   | ●             |               |  |  |  |  |  |
| 10   | <b>123.208</b> | 1295 332 086     |           | Crown Gear 86 T                 | 1    |          | D     | ●             |               |  |  |  |  |  |
| 10   | <b>123.217</b> | 1297 332 080     | 1662568   | Crown Gear 83 T                 | 1    |          | BC    | ●             |               |  |  |  |  |  |
| 10   | <b>123.208</b> | 1295 332 086     |           | Crown Gear 86 T                 | 1    |          | DE    | ●             |               |  |  |  |  |  |
| 11   | 150.112        | 1295 332 021     | 1526837   | Flange Gear 83 T                | 1    |          | ABC   | ●             |               |  |  |  |  |  |
| 11   | 150.137        | 1297 332 035     |           | Flange Gear 86 T                | 1    |          | D     | ●             |               |  |  |  |  |  |
| 11   | <b>150.138</b> | 1297 332 017     | 1662559   | Flange Gear 83 T                | 1    |          | BC    | ●             |               |  |  |  |  |  |
| 11   | <b>150.137</b> | 1297 332 035     |           | Flange Gear 86 T                | 1    |          | DE    | ●             |               |  |  |  |  |  |
| 12   | 111.129        | 0730 505 055     | 1526845   | Locking Wire                    | 1    |          | ABC   | ●             |               |  |  |  |  |  |
| 12   | 111.198        | 0730 505 056     |           | Locking Wire                    | 1    |          | D     | ●             |               |  |  |  |  |  |
| 12   | 111.129        | 0730 505 055     | 1526845   | Locking Wire                    | 1    |          | BC    | ●             |               |  |  |  |  |  |
| 12   | 111.198        | 0730 505 056     |           | Locking Wire                    | 1    |          | DE    | ●             |               |  |  |  |  |  |
| 13   | 130.244        | 0750 116 166     | 1526874   | Bearing D.75x105x16             | 1    |          | ABC   | ●             |               |  |  |  |  |  |
| 13   | 130.310        | 0750 116 165     | 1662561   | Bearing D.80x110x16             | 1    |          | D     | ●             |               |  |  |  |  |  |
| 13   | 130.310        | 0750 116 165     | 1662561   | Bearing D.80x110x16             | 1    |          |       | ●             |               |  |  |  |  |  |
| 14   |                | 1297 332 002     | 1662560   | Ring                            | 1    |          | D     | ●             |               |  |  |  |  |  |
| 14   |                | 1297 332 002     | 1662560   | Ring                            | 1    |          |       | ●             |               |  |  |  |  |  |
| 15   | <b>198.358</b> | 1296 233 006     | 1527360   | Synchronizer Cone               | 1    |          |       | ● ●           |               |  |  |  |  |  |
| 16   | <b>119.085</b> | 1296 333 022     |           | Synchronizer Ring               | 2    | Old Type |       | ● ●           |               |  |  |  |  |  |
| 16   | <b>119.172</b> | 1296 333 045     | 1527458   | Synchronizer Ring               | 2    | New Type |       | ● ●           |               |  |  |  |  |  |
| 17   | <b>157.113</b> | 1296 333 002     | 1526457   | Synchronizer Hub                | 1    |          |       | ● ●           |               |  |  |  |  |  |
| 18   | <b>160.116</b> | 1240 304 278     | 6635324   | Pressure Piece                  | 9    |          |       | ● ●           |               |  |  |  |  |  |

Notes

Date

03 / 2006

Table

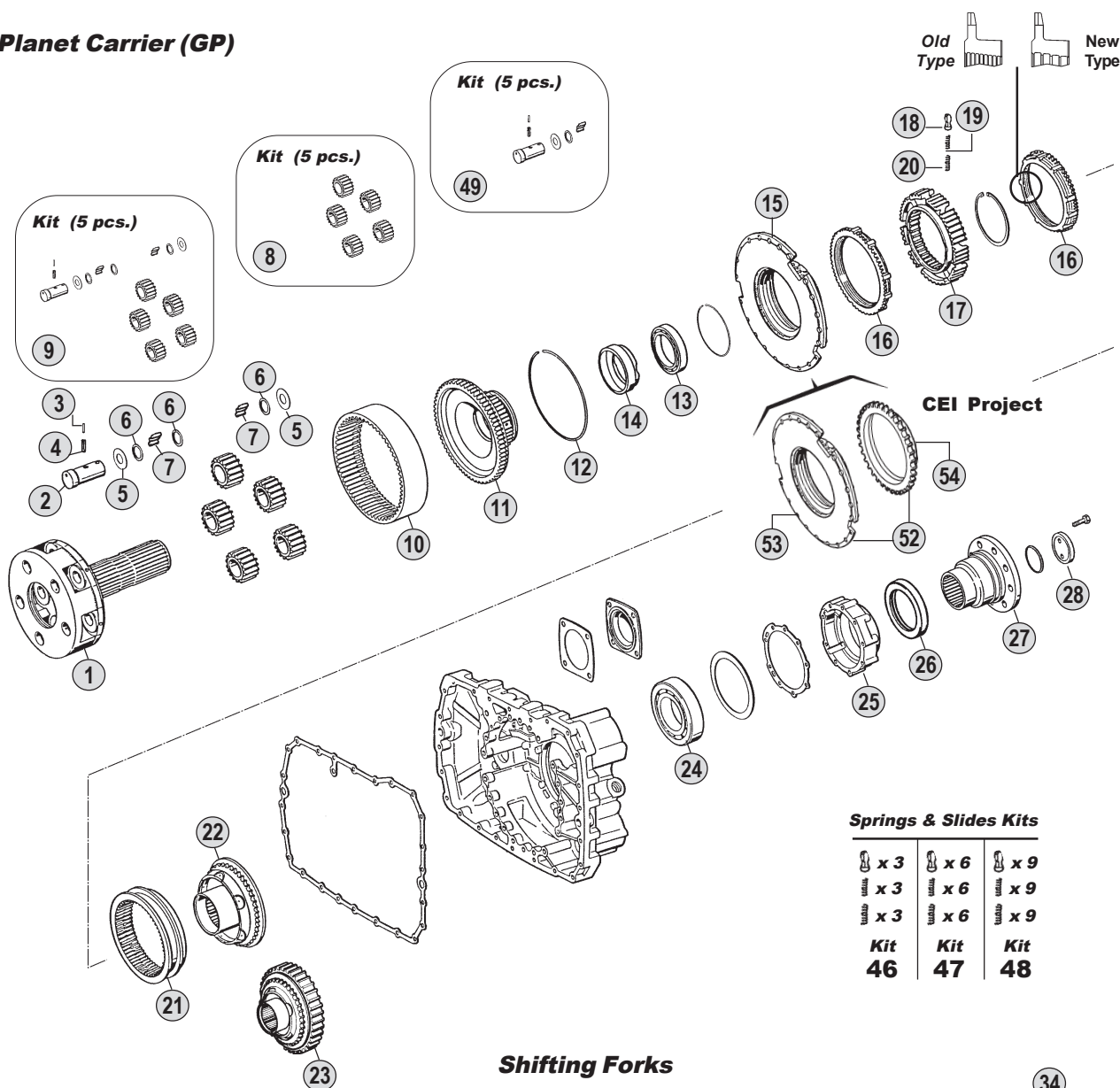
024 / B

All original equipment manufacturers numbers, symbols, pictures, models and description used in this catalogue are for reference only, and it is not implied that any part listed is the product of these manufactures.  
Tutti i nostri particolari non sono originali ma con essi intercambiabili. I riferimenti originali, le figure, i modelli sono esposti a semplice titolo indicativo. La nostra produzione riporta il nostro marchio.

Suitable To : **ZF**

**16S130 - 16S160**

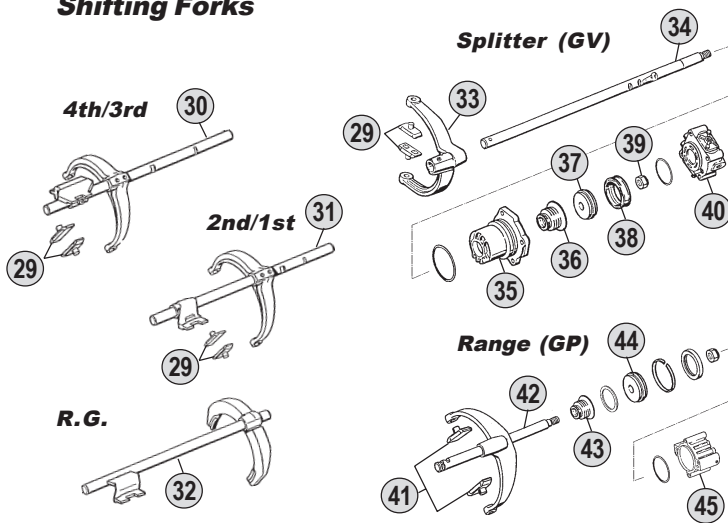
**Planet Carrier (GP)**



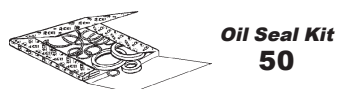
**Springs & Slides Kits**

|               |               |               |
|---------------|---------------|---------------|
| x 3           | x 6           | x 9           |
| x 3           | x 6           | x 9           |
| x 3           | x 6           | x 9           |
| <b>Kit 46</b> | <b>Kit 47</b> | <b>Kit 48</b> |

**Shifting Forks**



**Kits**



**Ratios**

|               |               |                 |                 |                 |              |
|---------------|---------------|-----------------|-----------------|-----------------|--------------|
| <b>16S130</b> | A: 10,14-0,72 | B: 11,46 - 0,85 | C: 13,68 - 1,00 | D: 14,29 - 0,82 | E:--         |
| <b>16S160</b> | A:--          | B: 11,46 - 0,85 | C: 13,68 - 1,00 | D: 14,29 - 0,82 | E:17,06-1,00 |

All original equipment manufacturers' numbers, symbols, pictures, models and description used in this catalogue are for reference only, and it is not implied that any part listed is the product of these manufactures. Tutti i nostri particolari non sono originali ma con essi intercambiabili. I riferimenti originali, le figure, i modelli sono esposti a semplice titolo indicativo. La nostra produzione riporta il nostro marchio.

16S130 (1286)  
16S160 (1297)

| Fig. | O.E.M. Reference |              | Description | Q.ty                        | Note | Ratio                  |           |               |               |  |  |  |  |
|------|------------------|--------------|-------------|-----------------------------|------|------------------------|-----------|---------------|---------------|--|--|--|--|
|      | CEI no.          | ZF no.       |             |                             |      |                        | VOLVO no. | 16S130 (1286) | 16S160 (1297) |  |  |  |  |
| 19   | 156.036          | 0732 040 386 | 6635323     | Inner Spring De.3x34        | 9    |                        | ●         | ●             |               |  |  |  |  |
| 20   | 156.037          | 0732 040 385 | 6635322     | Outer Spring De.6x34        | 9    |                        | ●         | ●             |               |  |  |  |  |
| 21   | 154.098          | 1296 333 023 | 1527459     | Sliding Sleeve              | 1    |                        | ●         | ●             |               |  |  |  |  |
| 22   | 198.359          | 1295 233 025 | 6885660     | Synchronizer Cone (36 Spl.) | 1    |                        | ABC       | ●             |               |  |  |  |  |
| 22   | 198.374          | 1313 233 001 | 1662575     | Synchronizer Cone (38 Spl.) | 1    |                        | D         | ●             |               |  |  |  |  |
| 22   | 198.374          | 1313 233 001 | 1662575     | Synchronizer Cone (38 Spl.) | 1    |                        |           | ●             |               |  |  |  |  |
| 23   |                  | 1297 333 117 |             | Synchronizer Cone           | 1    | With Retarder          | ABC       | ●             |               |  |  |  |  |
| 23   |                  | 1297 333 118 |             | Synchronizer Cone           | 1    | With Retarder          | D         | ●             |               |  |  |  |  |
| 23   |                  | 1297 333 118 |             | Synchronizer Cone           | 1    | With Retarder          |           | ●             |               |  |  |  |  |
| 24   | 130.245          | 0750 116 002 | 19499       | Bearing D.90x160x30         | 1    |                        |           | ●             | ●             |  |  |  |  |
| 25   |                  | 1296 301 067 | 1526826     | Cover                       | 1    |                        |           | ●             | ●             |  |  |  |  |
| 25   | 128.098          | 1315 301 220 | 1662553     | Cover                       | 1    |                        |           | ●             | ●             |  |  |  |  |
| 26   |                  | 0750 111 341 | 1526828     | Oil Seal 105x130x12         | 1    |                        |           | ●             | ●             |  |  |  |  |
| 27   |                  | 1295 238 003 |             | Output Flange               | 1    | D.165-8 H.             | ABC       | ●             |               |  |  |  |  |
| 27   |                  | 1295 338 061 |             | Output Flange               | 1    | D.180-4 H.             | ABC       | ●             |               |  |  |  |  |
| 27   | 197.051          | 1295 338 014 |             | Output Flange               | 1    | D.180-10 H.            | ABC       | ●             |               |  |  |  |  |
| 27   |                  | 1295 338 059 |             | Output Flange               | 1    | D.180-10 H.            | ABC       | ●             |               |  |  |  |  |
| 27   | 197.074          | 1295 338 016 |             | Output flange               | 1    | D.204-4 H.             | ABC       | ●             |               |  |  |  |  |
| 27   |                  | 1295 338 028 | 6885664     | Output Flange               | 1    | D.204-4 H.             | ABC       | ●             |               |  |  |  |  |
| 27   |                  | 1297 338 041 |             | Output Flange               | 1    | D.180-4 H.             | D         | ●             |               |  |  |  |  |
| 27   |                  | 1297 338 010 | 1672060     | Output Flange               | 1    | D.180-10 H.            | D         | ●             |               |  |  |  |  |
| 27   |                  | 1297 338 041 |             | Output Flange               | 1    | D.180-4 H.             |           |               | ●             |  |  |  |  |
| 27   |                  | 1297 338 038 |             | Output Flange               | 1    | D.180-10 H.            |           |               | ●             |  |  |  |  |
| 27   |                  | 1297 338 010 | 1672060     | Output Flange               | 1    | D.180-10 H.            |           |               | ●             |  |  |  |  |
| 28   | 188.077          | 1295 332 051 | 6889862     | Stop Washer                 | 1    |                        |           | ●             | ●             |  |  |  |  |
| 28   |                  | 1295 332 064 |             | Stop Washer                 | 1    | Only with 1295 238 003 |           | ●             |               |  |  |  |  |
| 29   | 141.068          | 1295 306 132 | 1662543     | Bronze Slide                | 2    |                        |           | ●             | ●             |  |  |  |  |
| 30   |                  | 1295 206 219 |             | Fork                        | 1    |                        |           | ●             |               |  |  |  |  |
| 30   |                  | 1295 206 212 |             | Fork                        | 1    |                        |           | ●             |               |  |  |  |  |
| 30   | 198.362          | 1295 206 213 | 1527378     | Fork                        | 1    |                        |           | ●             |               |  |  |  |  |
| 30   |                  | 1297 206 103 |             | Fork                        | 1    |                        |           |               | ●             |  |  |  |  |
| 30   |                  | 1297 206 104 | 1662542     | Fork                        | 1    |                        |           |               | ●             |  |  |  |  |
| 31   |                  | 1295 206 223 |             | Fork                        | 1    |                        |           | ●             |               |  |  |  |  |
| 31   |                  | 1295 206 217 |             | Fork                        | 1    |                        |           | ●             |               |  |  |  |  |
| 31   |                  | 1295 206 214 | 6889867     | Fork                        | 1    |                        |           | ●             |               |  |  |  |  |
| 31   |                  | 1295 206 215 |             | Fork                        | 1    |                        |           | ●             |               |  |  |  |  |
| 31   |                  | 1297 206 106 |             | Fork                        | 1    |                        |           |               | ●             |  |  |  |  |
| 31   |                  | 1297 206 105 | 1662541     | Fork                        | 1    |                        |           |               | ●             |  |  |  |  |
| 32   |                  | 1295 206 250 |             | Fork                        | 1    |                        |           | ●             |               |  |  |  |  |
| 32   |                  | 1295 206 249 |             | Fork                        | 1    |                        |           | ●             |               |  |  |  |  |
| 32   | 198.360          | 1295 206 255 | 1527379     | Fork                        | 1    |                        |           | ●             |               |  |  |  |  |
| 32   |                  | 1295 206 254 |             | Fork                        | 1    |                        |           | ●             |               |  |  |  |  |
| 32   |                  | 1297 206 174 |             | Fork                        | 1    |                        |           |               | ●             |  |  |  |  |
| 32   |                  | 1297 206 175 |             | Fork                        | 1    |                        |           |               | ●             |  |  |  |  |
| 33   |                  | 1313 312 002 | 1662550     | Fork                        | 1    |                        |           | ●             | ●             |  |  |  |  |

Notes

Date

03 / 2006

Table

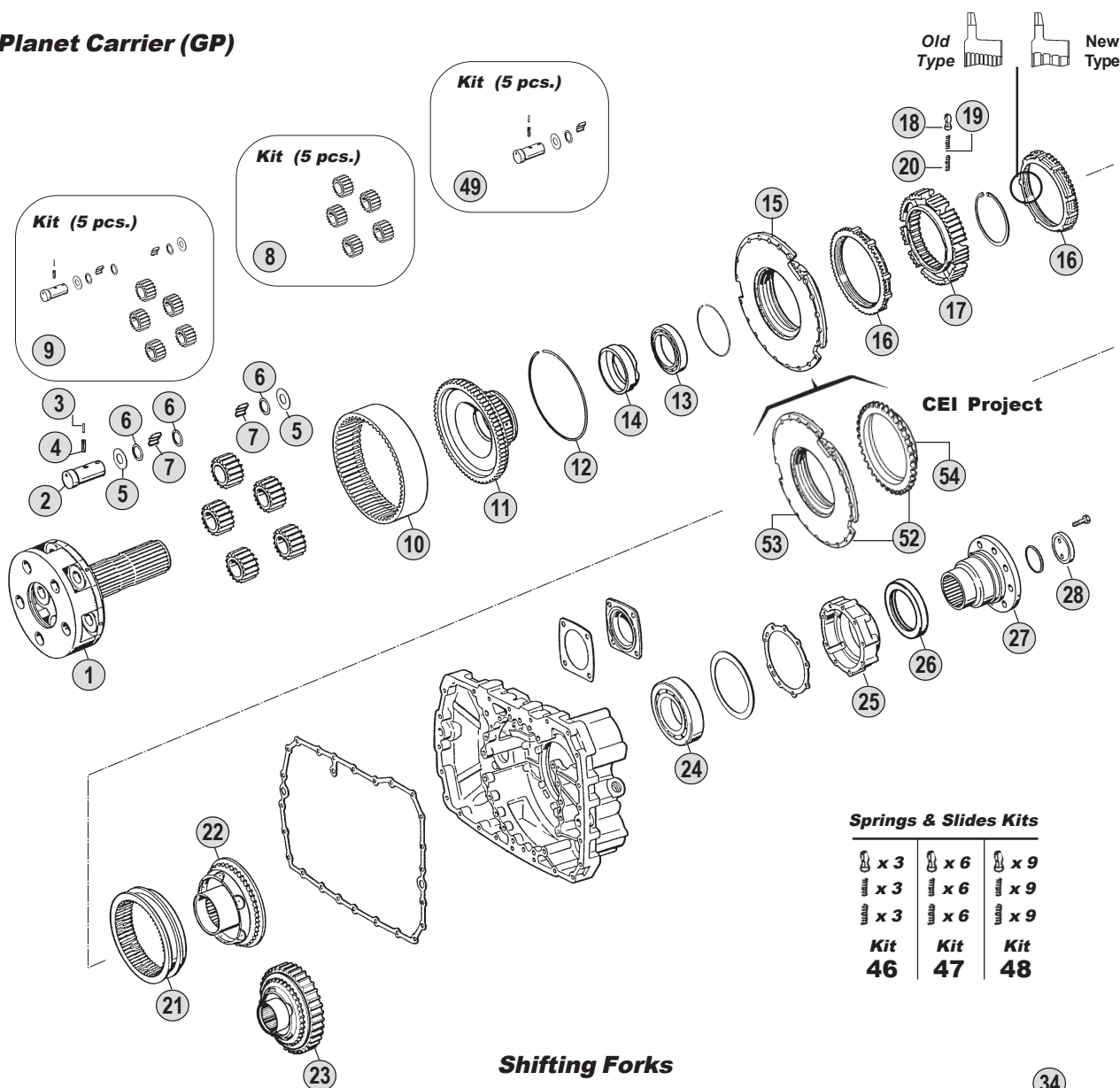
024 / B

All original equipment manufacturers numbers, symbols, pictures and description used in this catalogue are for reference only, and it is not implied that any part listed is the product of these manufactures. Tutti i nostri particolari non sono originali ma con essi intercambiabili. I riferimenti originali, le figure, i modelli sono esposti a semplice titolo indicativo. La nostra produzione riporta il nostro marchio.

Suitable To : **ZF**

**16S130 - 16S160**

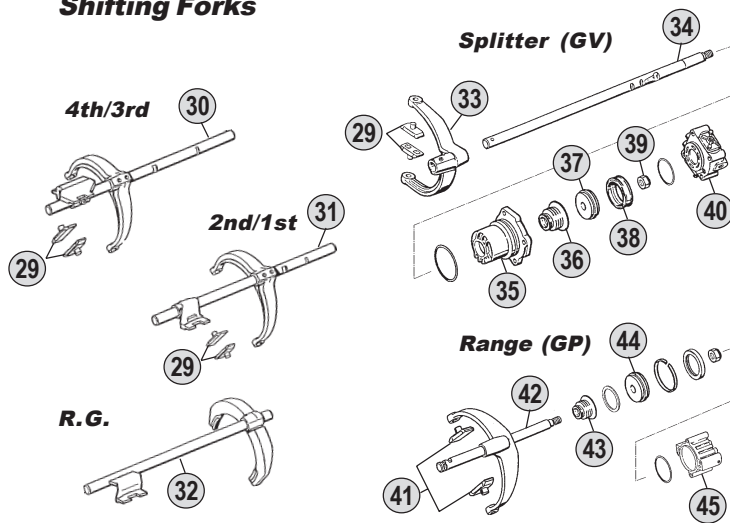
**Planet Carrier (GP)**



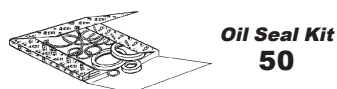
**Springs & Slides Kits**

|               |               |               |
|---------------|---------------|---------------|
| x 3           | x 6           | x 9           |
| x 3           | x 6           | x 9           |
| x 3           | x 6           | x 9           |
| <b>Kit 46</b> | <b>Kit 47</b> | <b>Kit 48</b> |

**Shifting Forks**



**Kits**



**Ratios**

|               |               |                 |                 |                 |              |
|---------------|---------------|-----------------|-----------------|-----------------|--------------|
| <b>16S130</b> | A: 10,14-0,72 | B: 11,46 - 0,85 | C: 13,68 - 1,00 | D: 14,29 - 0,82 | E:--         |
| <b>16S160</b> | A:--          | B: 11,46 - 0,85 | C: 13,68 - 1,00 | D: 14,29 - 0,82 | E:17,06-1,00 |

All original equipment manufacturers' numbers, symbols, pictures, models and description used in this catalogue are for reference only, and it is not implied that any part listed is the product of these manufactures. Tutti i nostri particolari non sono originali ma con essi intercambiabili. I riferimenti originali, le figure, i modelli sono esposti a semplice titolo indicativo. La nostra produzione riporta il nostro marchio.

16S130 (1286)  
16S160 (1297)

| Fig. | CEI no. | O.E.M. Reference |           | Description             | Q.ty | Note              | Ratio |               |               |  |  |  |  |
|------|---------|------------------|-----------|-------------------------|------|-------------------|-------|---------------|---------------|--|--|--|--|
|      |         | ZF no.           | VOLVO no. |                         |      |                   |       | 16S130 (1286) | 16S160 (1297) |  |  |  |  |
| 34   | 149.172 | 1295 312 018     | 1526820   | Selector rod            | 1    |                   |       | ●             |               |  |  |  |  |
| 34   |         | 1297 312 008     | 1662549   | Selector Rod            | 1    |                   |       |               | ●             |  |  |  |  |
| 35   | 132.046 | 1296 312 042     | 1526816   | Cylinder                | 1    |                   |       | ●             | ●             |  |  |  |  |
| 36   | 139.331 | 0750 112 034     | 1526817   | Cap Collar D.25x38x14,2 | 1    |                   |       | ●             | ●             |  |  |  |  |
| 37   | 189.421 | 1296 312 053     | 1526818   | Piston                  | 1    |                   |       | ●             | ●             |  |  |  |  |
| 38   |         | 0750 112 089     | 1527355   | Ring 53x63x16,2         | 1    |                   |       | ●             | ●             |  |  |  |  |
| 39   |         | 0737 006 095     |           | Nut                     | 1    |                   |       | ●             | ●             |  |  |  |  |
| 40   |         | 0750 132 032     | 1662551   | Cylinder                | 1    |                   |       | ●             | ●             |  |  |  |  |
| 40   |         | 0750 132 033     |           | Cylinder                | 1    |                   |       | ●             | ●             |  |  |  |  |
| 40   | 280.350 | 1295 212 008     |           | Cylinder                | 1    |                   |       | ●             | ●             |  |  |  |  |
| 40   |         | 1295 212 009     | 1527454   | Cylinder                | 1    |                   |       |               | ●             |  |  |  |  |
| 41   | 141.085 | 1296 334 004     | 1526864   | Bronze Slide            | 2    |                   |       | ●             | ●             |  |  |  |  |
| 42   | 149.171 | 1312 234 002     | 1662403   | Fork Lever              | 1    |                   |       | ●             | ●             |  |  |  |  |
| 43   | 139.331 | 0750 112 034     | 1526817   | Cap Collar D.25x38x14,2 | 1    |                   |       | ●             | ●             |  |  |  |  |
| 44   | 189.422 | 1296 334 039     | 1527462   | Piston                  | 1    |                   |       | ●             | ●             |  |  |  |  |
| 45   | 132.047 | 1295 334 075     | 1527363   | Cylinder                | 1    |                   |       | ●             | ●             |  |  |  |  |
| 46   | 198.339 | 1268 298 938     |           | Spring Slide Set        | 1    |                   |       | ●             | ●             |  |  |  |  |
| 47   | 198.564 | CEI 198564       |           | Spring Slide Set        | 1    |                   |       | ●             | ●             |  |  |  |  |
| 48   | 198.842 | 1295 298 933     |           | Spring Slide Set        | 1    |                   |       | ●             | ●             |  |  |  |  |
| 49   | 198.447 | CEI 198447       |           | Gear Set                | 1    |                   | ABC   | ●             |               |  |  |  |  |
| 50   | 198.428 | 1295 298 960     |           | Oil Seal Ring Kit       | 1    |                   |       | ●             | ●             |  |  |  |  |
| 51   | 198.427 | 1295 298 915     |           | Gasket Kit              | 1    |                   |       | ●             | ●             |  |  |  |  |
| 52   | 198.856 | CEI 198856       |           | Synchronizer cone kit   | 1    | Can repl. fig. 15 |       | ●             | ●             |  |  |  |  |
| 53   | 135.128 | CEI 135128       |           | Saddle Plate            | 1    | Use with fig. 54  |       | ●             | ●             |  |  |  |  |
| 54   | 109.174 | 1296 333 050     |           | Synchronizer Cone       | 1    | Use with fig. 53  |       | ●             | ●             |  |  |  |  |

Notes

Date

03 / 2006

Table

024 / B

All original equipment manufacturers numbers, symbols, pictures, models and description used in this catalogue are for reference only, and it is not implied that any part listed is the product of these manufactures.  
Tutti i nostri particolari non sono originali ma con essi intercambiabili. I riferimenti originali, le figure, i modelli sono esposti a semplice titolo indicativo. La nostra produzione riporta il nostro marchio.





suitable to :

**Z.F.****EcoSplit I****From 16S112/1 to 16S190/1****Application**

|                 | 16S112/1<br>(1296) | 16S130/1<br>(1295) | 16S160/1<br>(1297) | 16S190/1<br>(1297) |
|-----------------|--------------------|--------------------|--------------------|--------------------|
| <b>MERCEDES</b> |                    |                    |                    |                    |
| <b>MAN</b>      |                    |                    |                    |                    |
| <b>IVECO</b>    |                    |                    |                    |                    |
| <b>RVI</b>      |                    |                    |                    |                    |
| <b>DAF</b>      |                    |                    |                    |                    |
| <b>VOLVO</b>    |                    |                    |                    |                    |

**Ratios**

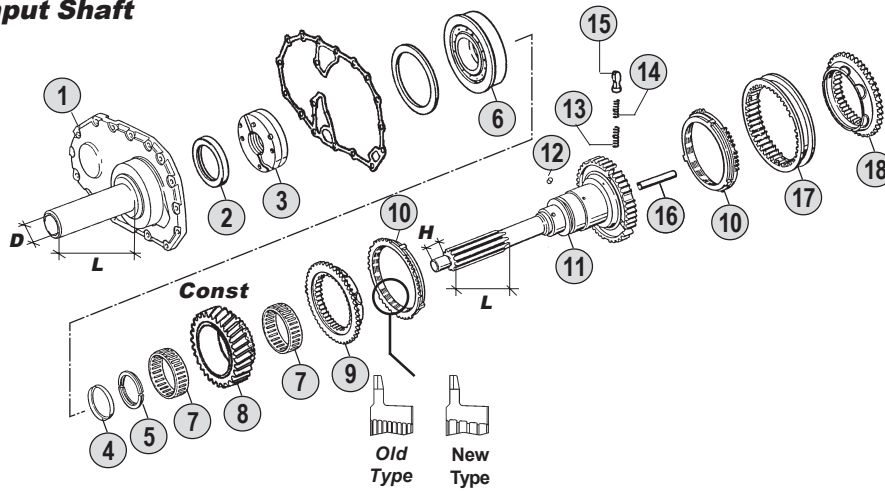
|                 | R.10,14-0,72<br>A | R.11,46-0,85<br>B | R.13,68-1,00<br>C | R.14,29-0,82<br>D | R.17,06-1,00<br>E |
|-----------------|-------------------|-------------------|-------------------|-------------------|-------------------|
| <b>16S112/1</b> |                   |                   |                   |                   |                   |
| <b>16S130/1</b> |                   |                   |                   |                   |                   |
| <b>16S160/1</b> |                   |                   |                   |                   |                   |
| <b>16S190/1</b> |                   |                   |                   |                   |                   |

All original equipment manufacturers numbers, symbols, pictures, models and description used in this catalogue are for reference only, and it is not implied that any part listed is the product of these manufacturers. Tutti i nostri particolari non sono originali ma con essi intercambiabili. I riferimenti originali, le figure, i modelli sono esposti a semplice titolo indicativo. La nostra produzione riporta il nostro marchio.

**ECO I**  
 16S190/1

Suitable To : **ZF**

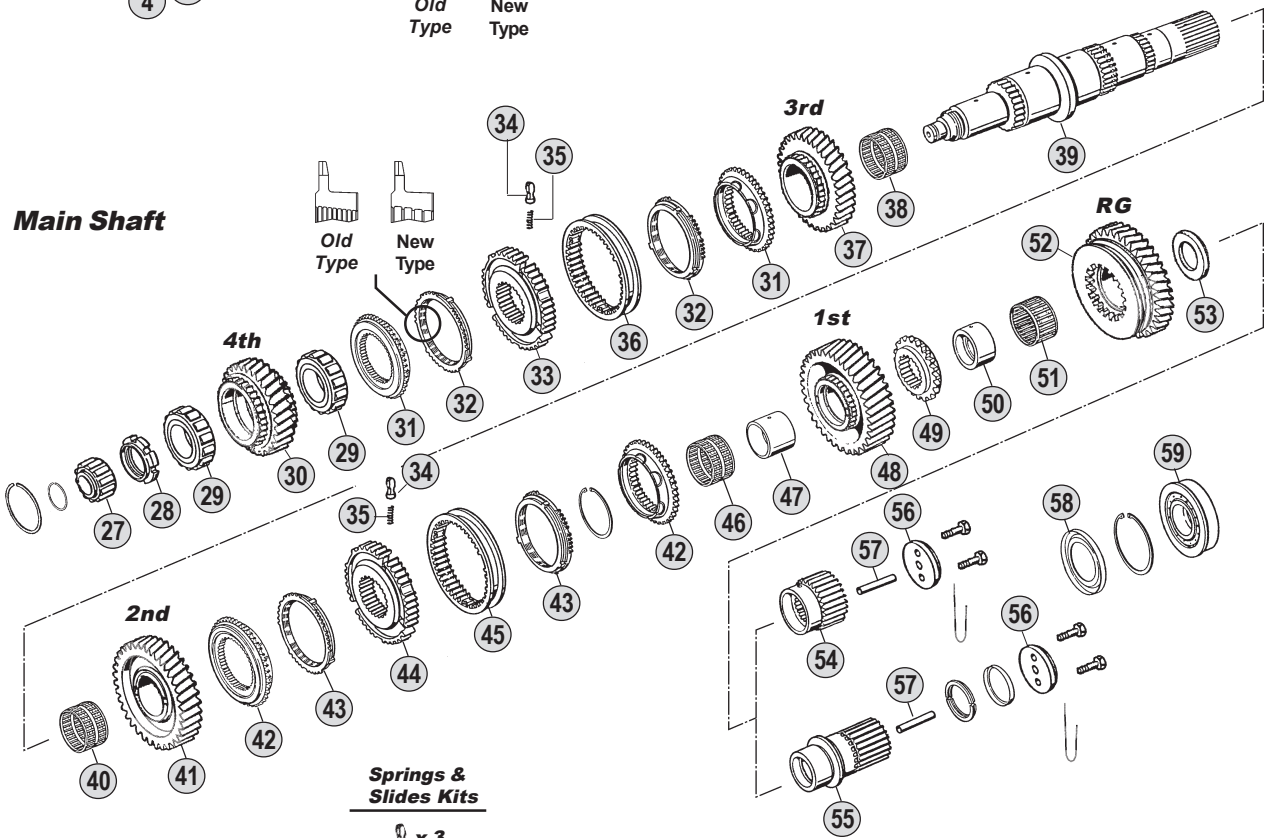
**Input Shaft**



**Springs & Slides Kits**

|               |               |               |
|---------------|---------------|---------------|
| x 3           | x 6           | x 9           |
| x 3           | x 6           | x 9           |
| x 3           | x 6           | x 9           |
| <b>Kit 70</b> | <b>Kit 71</b> | <b>Kit 72</b> |

**Main Shaft**



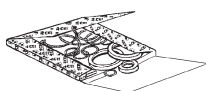
**Springs & Slides Kits**

|               |
|---------------|
| x 3           |
| x 3           |
| <b>Kit 73</b> |

**Kits**



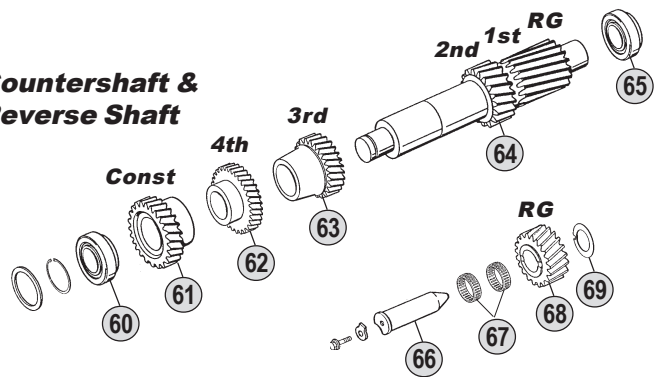
**Gasket Kit 75**



**Oil Seal Kit 74**

66

**Countershaft & Reverse Shaft**



**Ratios**

16S190/1 A :-- B : 11,46 - 0,85 C : 13,68 - 1,00 D : 14,29 - 0,82 E : 17,06 - 1,00

| Fig. | O.E.M. Reference |              | Description | Q.ty                        | Note | Ratio         |           |          |      |  |  |  |  |  |
|------|------------------|--------------|-------------|-----------------------------|------|---------------|-----------|----------|------|--|--|--|--|--|
|      | CEI no.          | ZF no.       |             |                             |      |               | VOLVO no. | 16S190/1 | 1297 |  |  |  |  |  |
| 1    |                  | 1297 302 082 | 1526687     | Front Cover                 | 1    | L=190-D=66    | ●         |          |      |  |  |  |  |  |
| 2    | 139.754          | 0734 310 386 | 1526688     | Oil Seal 55x75x8            | 1    |               | ●         |          |      |  |  |  |  |  |
| 3    | <b>280.348</b>   | 1295 202 041 | 1526685     | Oil Pump                    | 1    |               | ●         |          |      |  |  |  |  |  |
| 4    | 169.754          | 0730 061 816 | 1526683     | Securing Ring               | 1    |               | ●         |          |      |  |  |  |  |  |
| 4    | 169.755          | 0730 062 579 |             | Securing Ring               | 1    | S.4,20 mm     | ●         |          |      |  |  |  |  |  |
| 5    |                  | 0730 103 244 | 1526673     | Split Ring T.4,30 mm        | 1    | S.4,30 mm (3) | ●         |          |      |  |  |  |  |  |
| 5    |                  | 0730 103 935 | 1526682     | Split Ring T.3,80 mm        | 1    | S.3,80 mm (3) | ●         |          |      |  |  |  |  |  |
| 5    |                  | 0730 105 156 |             | Split Ring T.4,00 mm        | 1    | S.4,00 mm (4) | ●         |          |      |  |  |  |  |  |
| 5    |                  | 0730 105 154 |             | Split Ring T.3,80 mm        | 1    | S.3,80 mm (4) | ●         |          |      |  |  |  |  |  |
| 6    | 130.305          | 0750 118 131 | 1526672     | Bearing D.80x150x27,50      | 1    |               | ●         |          |      |  |  |  |  |  |
| 7    | <b>137.153</b>   | 0735 320 896 | 1662581     | Needle Cage D.88x96x29      | 2    |               | ●         |          |      |  |  |  |  |  |
| 8    | <b>145.466</b>   | 1297 302 177 |             | Constant Gear 30 T          | 1    | B             | ●         |          |      |  |  |  |  |  |
| 8    | <b>145.406</b>   | 1297 302 176 | 1662513     | Constant Gear 28 T          | 1    | C             | ●         |          |      |  |  |  |  |  |
| 8    | <b>145.405</b>   | 1297 302 250 |             | Constant Gear 29 T          | 1    | D             | ●         |          |      |  |  |  |  |  |
| 8    | <b>145.407</b>   | 1297 302 241 |             | Constant Gear 26 T          | 1    | E             | ●         |          |      |  |  |  |  |  |
| 9    | <b>109.072</b>   | 1295 304 278 | 1527438     | Synchronizer Cone           | 1    |               | ●         |          |      |  |  |  |  |  |
| 10   | <b>119.084</b>   | 1295 304 004 | 1526697     | Synchronizer Ring           | 2    | Old Type      | ●         |          |      |  |  |  |  |  |
| 10   | <b>119.175</b>   | 1304 304 686 |             | Synchronizer Ring           | 2    | New Type      | ●         |          |      |  |  |  |  |  |
| 11   |                  | 1297 202 054 | 1662583     | Input Shaft                 | 1    |               | ●         |          |      |  |  |  |  |  |
| 12   |                  | 0635 470 012 | 1526684     | Pin                         | 1    |               | ●         |          |      |  |  |  |  |  |
| 13   | <b>156.037</b>   | 0732 040 385 | 6635322     | Outer Spring De.6x34        | 3    |               | ●         |          |      |  |  |  |  |  |
| 14   | <b>156.036</b>   | 0732 040 386 | 6635323     | Inner Spring De.3x34        | 3    |               | ●         |          |      |  |  |  |  |  |
| 15   | <b>160.116</b>   | 1240 304 278 | 6635324     | Pressure Piece              | 3    |               | ●         |          |      |  |  |  |  |  |
| 16   | 188.208          | 0730 062 323 |             | Oil Tube                    | 1    |               | ●         |          |      |  |  |  |  |  |
| 17   | <b>154.097</b>   | 1295 304 002 | 1526696     | Sliding Sleeve              | 1    |               | ●         |          |      |  |  |  |  |  |
| 18   | <b>109.072</b>   | 1295 304 278 | 1527438     | Synchronizer Cone           | 1    |               | ●         |          |      |  |  |  |  |  |
| 27   | 137.113          | 0750 118 038 | 1662534     | Roller Cage D.35x68x27,50   | 1    |               | ●         |          |      |  |  |  |  |  |
| 28   | 187.412          | 0737 502 092 | 1526746     | Grooved Nut M60x1,5         | 1    |               | ●         |          |      |  |  |  |  |  |
| 29   | 137.157          | 0750 118 220 | 1662532     | Roller Cage D.63x97,5x37,50 | 2    |               | ●         |          |      |  |  |  |  |  |
| 30   | <b>146.384</b>   | 1297 304 267 |             | Gear 4th Speed 28 T         | 1    | B             | ●         |          |      |  |  |  |  |  |
| 30   | <b>146.318</b>   | 1297 304 260 | 1662533     | Gear 4th Speed 30 T         | 1    | C             | ●         |          |      |  |  |  |  |  |
| 30   | <b>146.315</b>   | 1297 304 318 |             | Gear 4th Speed 26 T         | 1    | D             | ●         |          |      |  |  |  |  |  |
| 30   | <b>146.294</b>   | 1297 304 413 |             | Gear 4th Speed 29 T         | 1    | E             | ●         |          |      |  |  |  |  |  |
| 31   | <b>109.114</b>   | 1297 304 369 |             | Synchronizer Cone           | 2    |               | ●         |          |      |  |  |  |  |  |
| 32   | <b>119.119</b>   | 1297 304 402 | 3097026     | Synchronizer Ring           | 2    | Old Type      | ●         |          |      |  |  |  |  |  |
| 32   | <b>119.167</b>   | 1297 304 484 | 1662711     | Synchronizer Ring           | 2    | New Type      | ●         |          |      |  |  |  |  |  |
| 33   | 157.140          | 1297 304 446 |             | Synchronizer Hub            | 1    |               | ●         |          |      |  |  |  |  |  |
| 34   | <b>160.189</b>   | 1297 304 436 | 3121706     | Pressure Piece              | 3    |               | ●         |          |      |  |  |  |  |  |
| 35   | <b>156.140</b>   | 0732 040 409 | 266459      | Spring D.6,50x23,50         | 3    |               | ●         |          |      |  |  |  |  |  |
| 36   | <b>154.135</b>   | 1310 304 202 | 3097061     | Sliding Sleeve              | 1    |               | ●         |          |      |  |  |  |  |  |
| 37   | <b>145.470</b>   | 1297 304 266 |             | Gear 3rd Speed 32 T         | 1    | BD            | ●         |          |      |  |  |  |  |  |
| 37   | <b>145.450</b>   | 1297 304 261 | 1662530     | Gear 3rd Speed 34 T         | 1    | C             | ●         |          |      |  |  |  |  |  |
| 37   | <b>145.377</b>   | 1297 304 414 |             | Gear 3rd Speed 34 T         | 1    | E             | ●         |          |      |  |  |  |  |  |
| 38   | <b>137.112</b>   | 0735 320 451 | 1662531     | Needle Cage D.82x90x60      | 1    |               | ●         |          |      |  |  |  |  |  |
| 39   | <b>103.132</b>   | 1297 304 181 | 1662519     | Main Shaft                  | 1    | BC            | ●         |          |      |  |  |  |  |  |

## Notes

- (3) To be coupled together with Fig. 4 - 0730 061 816  
 (4) To be coupled together with Fig. 4 - 0730 062 579

## Date

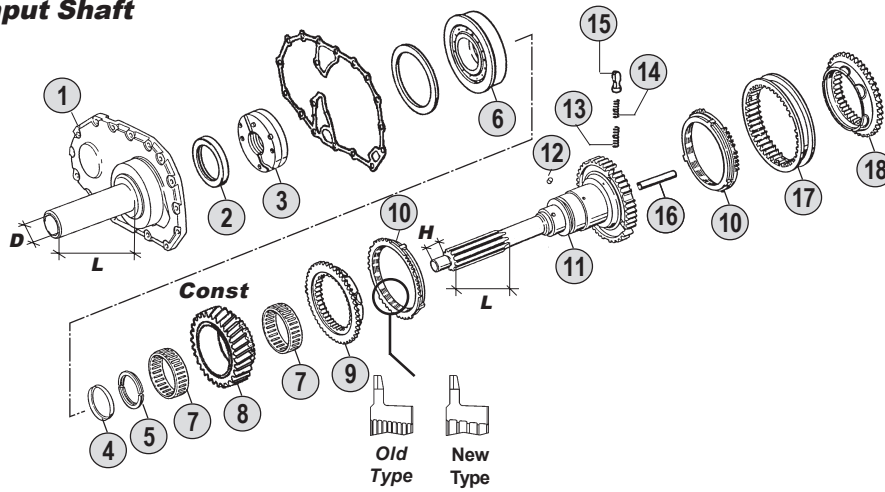
03 / 2006

## Table

025 / A

Suitable To : **ZF**

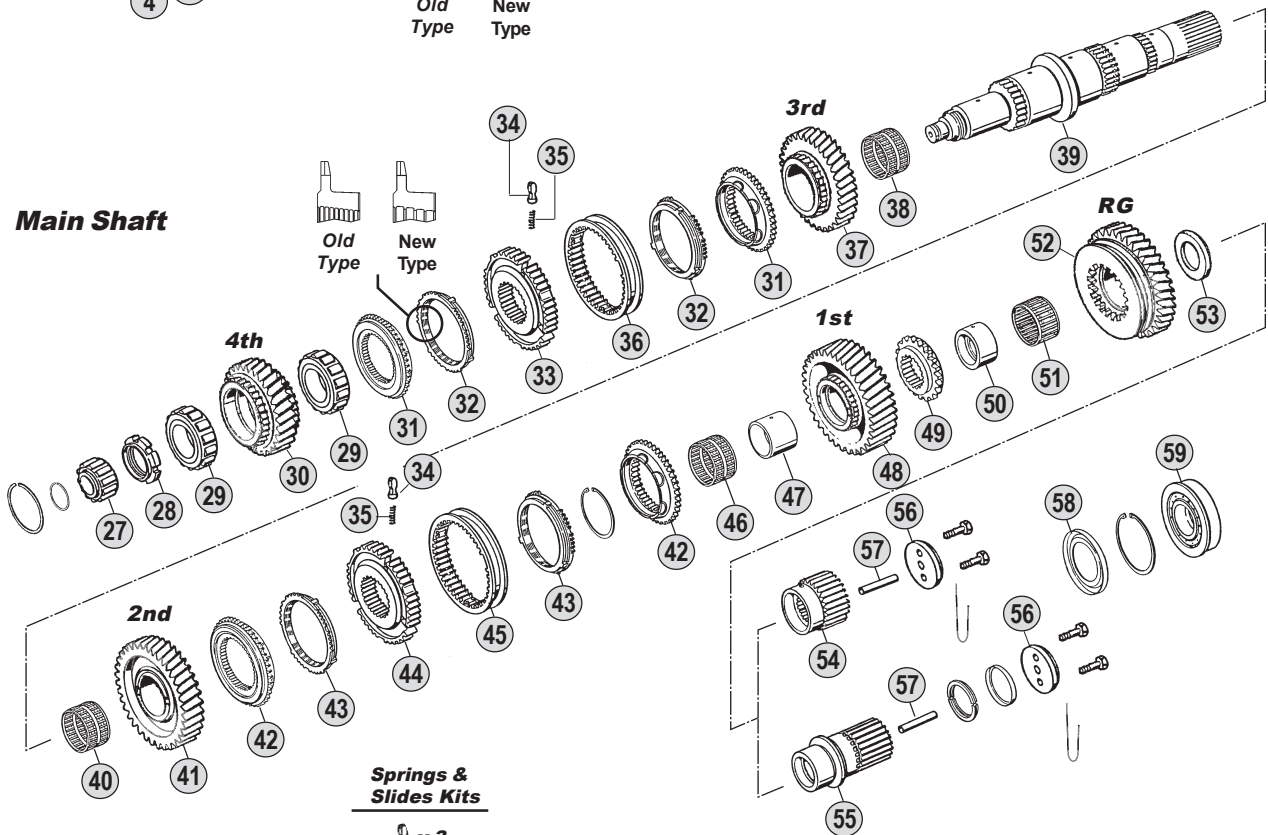
**Input Shaft**



**Springs & Slides Kits**

|               |               |               |
|---------------|---------------|---------------|
| x 3           | x 6           | x 9           |
| x 3           | x 6           | x 9           |
| x 3           | x 6           | x 9           |
| <b>Kit 70</b> | <b>Kit 71</b> | <b>Kit 72</b> |

**Main Shaft**



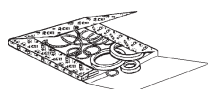
**Springs & Slides Kits**

|               |
|---------------|
| x 3           |
| x 3           |
| <b>Kit 73</b> |

**Kits**



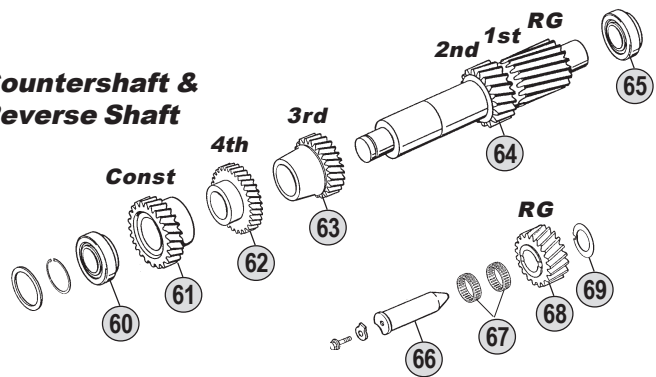
**Gasket Kit 75**



**Oil Seal Kit 74**

66

**Countershaft & Reverse Shaft**



**Ratios**

16S190/1 A :-- B : 11,46 - 0,85 C : 13,68 - 1,00 D : 14,29 - 0,82 E : 17,06 - 1,00

All original equipment manufacturers' numbers, symbols, pictures, models and description used in this catalogue are for reference only, and it is not implied that any part listed is the product of these manufactures. Tutti i nostri particolari non sono originali ma con essi intercambiabili. I riferimenti originali, le figure, i modelli sono esposti a semplice titolo indicativo. La nostra produzione riporta il nostro marchio.

| Fig. | CEI no. | O.E.M. Reference |           | Description               | Q.ty | Note     | Ratio |   |  |  |  |  |  |
|------|---------|------------------|-----------|---------------------------|------|----------|-------|---|--|--|--|--|--|
|      |         | ZF no.           | VOLVO no. |                           |      |          |       |   |  |  |  |  |  |
| 39   | 103.098 | 1297 304 193     |           | Main Shaft                | 1    |          | DE    | ● |  |  |  |  |  |
| 40   | 137.109 | 0735 320 452     | 1662520   | Needle Cage D.82x90x55    | 1    |          |       | ● |  |  |  |  |  |
| 41   | 145.500 | 1297 304 269     |           | Gear 2nd Speed 37 T       | 1    |          | BD    | ● |  |  |  |  |  |
| 41   | 145.375 | 1297 304 442     | 1662521   | Gear 2nd Speed 38 T       | 1    |          | CE    | ● |  |  |  |  |  |
| 42   | 109.113 | 1297 304 371     |           | Synchronizer Cone         | 2    |          |       | ● |  |  |  |  |  |
| 43   | 119.122 | 1297 304 401     |           | Synchronizer Ring         | 2    | Old Type |       | ● |  |  |  |  |  |
| 43   | 119.166 | 1297 304 485     | 3096856   | Synchronizer Ring         | 2    | New Type |       | ● |  |  |  |  |  |
| 44   | 157.139 | 1297 304 445     |           | Synchronizer Hub          | 1    |          |       | ● |  |  |  |  |  |
| 45   | 154.136 | 1297 304 450     |           | Sliding Sleeve            | 1    |          |       | ● |  |  |  |  |  |
| 46   | 137.110 | 0735 320 487     | 1662523   | Needle Cage D.82x90x68    | 1    |          |       | ● |  |  |  |  |  |
| 47   | 117.246 | 1297 304 035     | 1662522   | Bush                      | 1    |          |       | ● |  |  |  |  |  |
| 48   | 145.507 | 1297 304 270     |           | Gear 1st Speed 44 T       | 1    |          | BD    | ● |  |  |  |  |  |
| 48   | 145.376 | 1297 304 441     | 1662524   | Gear 1st Speed 47 T       | 1    |          | CE    | ● |  |  |  |  |  |
| 49   | 109.178 | 1297 304 154     | 1662525   | Engaging Ring             | 1    |          |       | ● |  |  |  |  |  |
| 50   | 117.318 | 1297 304 034     | 1662526   | Bush                      | 1    |          | BC    | ● |  |  |  |  |  |
| 51   | 137.111 | 0735 320 486     | 1662527   | Needle Cage D.78x86x44    | 1    |          |       | ● |  |  |  |  |  |
| 52   | 147.109 | 1297 304 149     |           | Reverse Gear 39 T         | 1    |          | BD    | ● |  |  |  |  |  |
| 52   | 147.140 | 1297 304 148     | 1662528   | Reverse Gear 38 T         | 1    |          | CE    | ● |  |  |  |  |  |
| 53   | 169.757 | 1297 304 381     | 1662529   | Thrust Washer             | 1    |          | BC    | ● |  |  |  |  |  |
| 54   | 157.177 | 1297 304 187     | 1662539   | Sun Gear 27 T             | 1    |          | BC    | ● |  |  |  |  |  |
| 55   | 157.198 | 1297 304 439     |           | Sun Gear 24 T             | 1    |          | DE    | ● |  |  |  |  |  |
| 56   | 188.076 | 1272 304 021     | 1527325   | Stop Washer               | 1    |          |       | ● |  |  |  |  |  |
| 57   |         | 0730 061 842     | 1526762   | Oil Tube                  | 1    |          |       | ● |  |  |  |  |  |
| 58   |         | 1297 301 004     | 1662580   | Oil Collector             | 1    |          |       | ● |  |  |  |  |  |
| 59   | 130.702 | 0750 118 006     | 1662502   | Bearing D.65x140x33       | 1    |          | BC    | ● |  |  |  |  |  |
| 59   | 130.703 | 0750 118 180     |           | Bearing 80x140x33         | 1    |          | DE    | ● |  |  |  |  |  |
| 60   | 130.242 | 0750 117 010     | 1526724   | Bearing D.50,80x100x35    | 1    |          |       | ● |  |  |  |  |  |
| 61   | 146.383 | 1297 303 074     |           | Constant Gear 31 T        | 1    |          | B     | ● |  |  |  |  |  |
| 61   | 146.322 | 1297 303 066     | 1662517   | Constant Gear 34 T        | 1    |          | C     | ● |  |  |  |  |  |
| 61   | 146.319 | 1297 303 098     |           | Constant Gear 32 T        | 1    |          | D     | ● |  |  |  |  |  |
| 61   | 146.321 | 1297 303 086     |           | Constant Gear 35 T        | 1    |          | E     | ● |  |  |  |  |  |
| 62   | 146.382 | 1297 303 072     |           | Gear 4th Speed 34 T       | 1    |          | B     | ● |  |  |  |  |  |
| 62   | 146.381 | 1297 303 065     | 1662518   | Gear 4th Speed 31 T       | 1    |          | C     | ● |  |  |  |  |  |
| 62   | 146.415 | 1297 303 097     |           | Gear 4th Speed 35 T       | 1    |          | D     | ● |  |  |  |  |  |
| 62   | 146.416 | 1297 303 123     |           | Gear 4th Speed 32 T       | 1    |          | E     | ● |  |  |  |  |  |
| 63   | 146.357 | 1297 303 073     |           | Gear 3rd Speed 28 T       | 1    |          | BD    | ● |  |  |  |  |  |
| 63   | 146.421 | 1297 303 067     | 1662516   | Gear 3rd Speed 25 T       | 1    |          | C     | ● |  |  |  |  |  |
| 63   | 146.422 | 1297 303 132     |           | Gear 3rd Speed 26 T       | 1    |          | E     | ● |  |  |  |  |  |
| 64   | 105.092 | 1297 303 075     |           | Countershaft 19-23 T      | 1    |          | BD    | ● |  |  |  |  |  |
| 64   | 105.093 | 1297 303 140     | 1662514   | Countershaft 17-20 T      | 1    |          | CE    | ● |  |  |  |  |  |
| 65   | 130.308 | 0750 117 009     | 1662515   | Bearing D.49,2x103,1x43,6 | 1    |          |       | ● |  |  |  |  |  |
| 66   | 107.108 | 1295 305 056     | 1662509   | Reverse Gear Pin          | 1    |          |       | ● |  |  |  |  |  |
| 67   | 137.007 | 0750 115 011     | 1526667   | Needle Cage D.45x53x21    | 2    |          |       | ● |  |  |  |  |  |
| 68   | 147.133 | 1295 305 051     |           | Reverse Gear 21 T         | 1    |          | BD    | ● |  |  |  |  |  |
| 68   | 147.094 | 1295 305 052     | 1527321   | Reverse Gear 24 T         | 1    |          | CE    | ● |  |  |  |  |  |

## Notes

- (3) To be coupled together with Fig. 4 - 0730 061 816  
 (4) To be coupled together with Fig. 4 - 0730 062 579

## Date

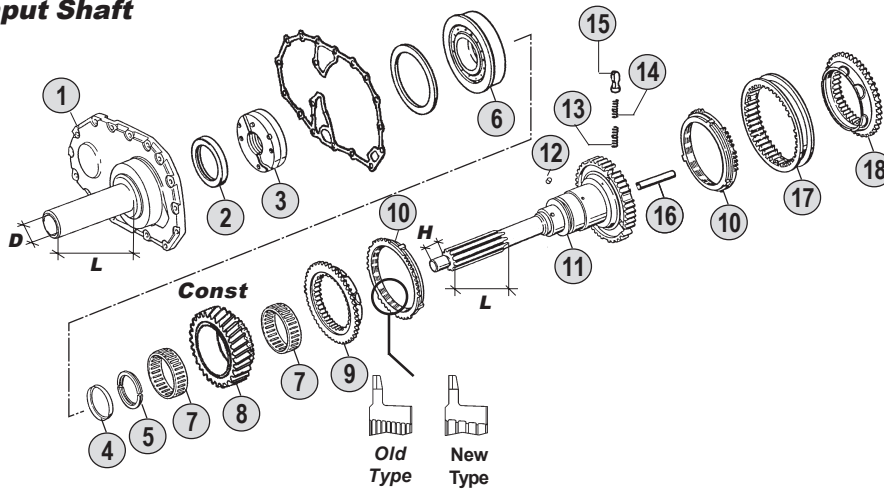
03 / 2006

## Table

025 / A

Suitable To : **ZF**

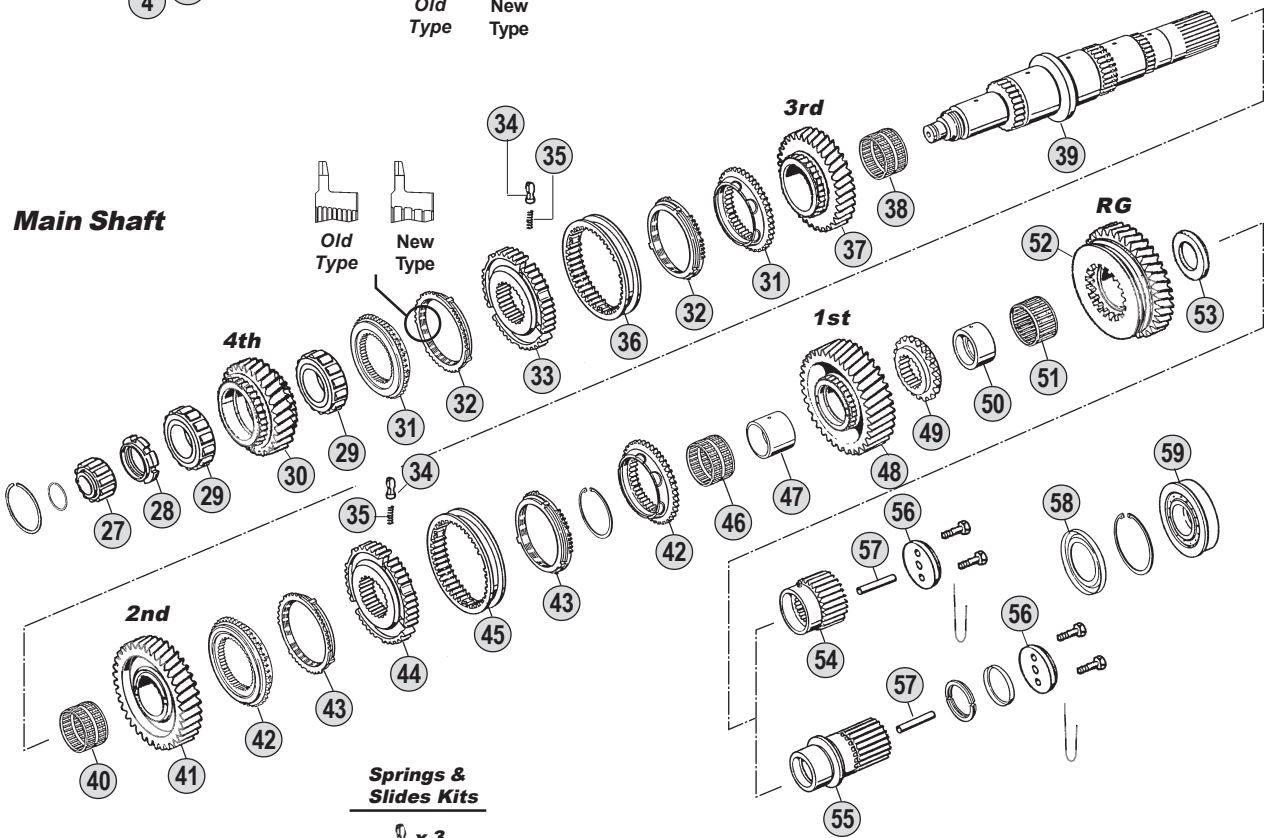
**Input Shaft**



**Springs & Slides Kits**

|               |               |               |
|---------------|---------------|---------------|
| x 3           | x 6           | x 9           |
| x 3           | x 6           | x 9           |
| x 3           | x 6           | x 9           |
| <b>Kit 70</b> | <b>Kit 71</b> | <b>Kit 72</b> |

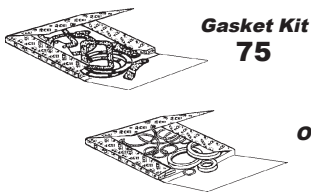
**Main Shaft**



**Springs & Slides Kits**

|               |
|---------------|
| x 3           |
| x 3           |
| <b>Kit 73</b> |

**Kits**

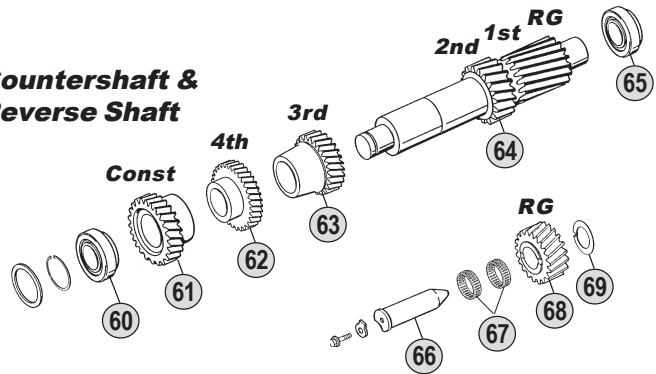


**Gasket Kit 75**

**Oil Seal Kit 74**

66

**Countershaft & Reverse Shaft**



**Ratios**

16S190/1 A :-- B : 11,46 - 0,85 C : 13,68 - 1,00 D : 14,29 - 0,82 E : 17,06 - 1,00

All original equipment manufacturers' numbers, symbols, pictures, models and description used in this catalogue are for reference only, and it is not implied that any part listed is the product of these manufactures. Tutti i nostri particolari non sono originali ma con essi intercambiabili. I riferimenti originali, le figure, i modelli sono esposti a semplice titolo indicativo. La nostra produzione riporta il nostro marchio.

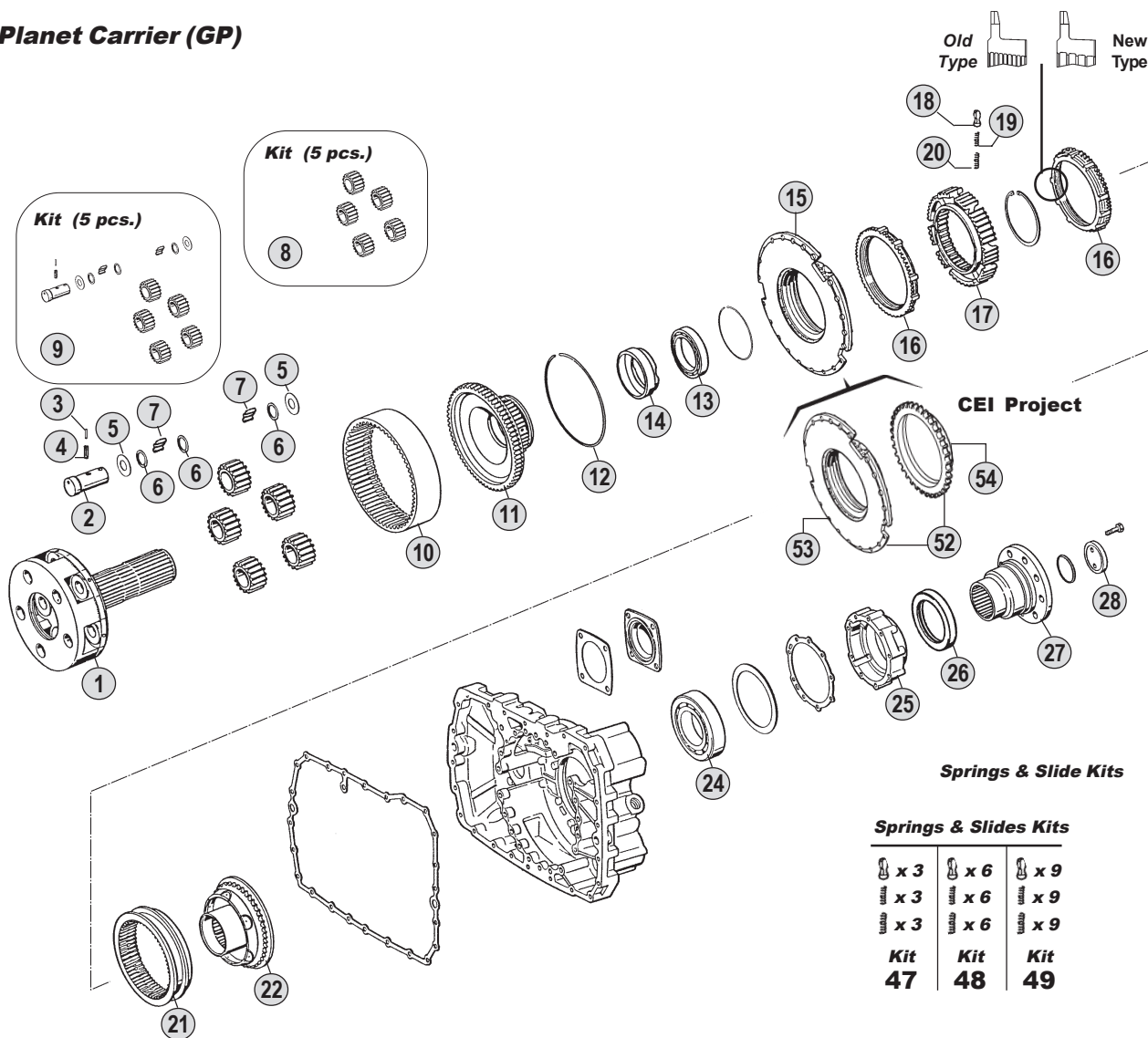




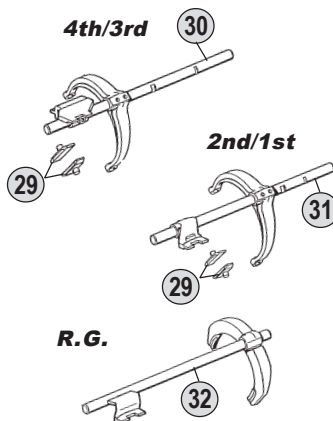
Suitable To : **ZF**

**16S190/1**

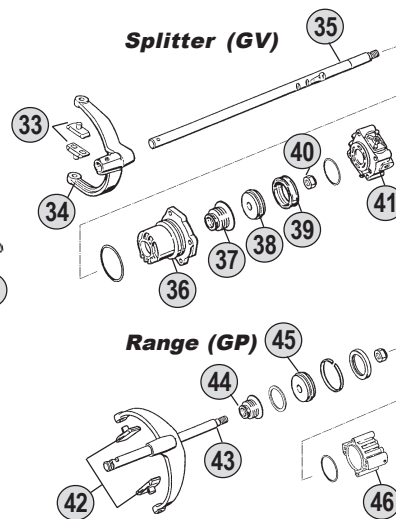
**Planet Carrier (GP)**



**Shifting Forks**



**Splitter (GV)**



**Kits**



**Ratios**

16S190/1 A :-- B : 11,46 - 0,85 C : 13,68 - 1,00 D : 14,29 - 0,82 E : 17,06 - 1,00

All original equipment manufacturers' numbers, symbols, pictures, models and description used in this catalogue are for reference only, and it is not implied that any part listed is the product of these manufactures. Tutti i nostri particolari non sono originali ma con essi intercambiabili. I riferimenti originali, le figure, i modelli sono esposti a semplice titolo indicativo. La nostra produzione riporta il nostro marchio.

| Fig. | O.E.M. Reference |              | Description | Q.ty                            | Note | Ratio       |    |   |  |  |  |           |
|------|------------------|--------------|-------------|---------------------------------|------|-------------|----|---|--|--|--|-----------|
|      | CEI no.          | ZF no.       |             |                                 |      |             |    |   |  |  |  | VOLVO no. |
| 1    | 190.396          | 1297 232 039 | 1662584     | Planetary Carrier               | 1    |             | BC | ● |  |  |  |           |
| 1    | 190.395          | 1297 232 045 |             | Planetary Carrier               | 1    |             | DE | ● |  |  |  |           |
| 2    | 107.163          | 1297 332 109 | 1662558     | Planet Shaft                    | 5    |             |    | ● |  |  |  |           |
| 3    | 160.191          | 0631 329 017 | 1699048     | Lock Pin D.3x24                 | 5    |             |    | ● |  |  |  |           |
| 4    | 160.192          | 0631 329 050 | 1699047     | Lock Pin D.5x24                 | 5    |             |    | ● |  |  |  |           |
| 5    | 169.753          | 0501 306 212 | 1662556     | Thrust Washer D.29x64x1,5       | 10   |             |    | ● |  |  |  |           |
| 6    | 169.410          | 0730 103 846 | 1526833     | Spacer Ring D.29x39x1,00        | 15   |             |    | ● |  |  |  |           |
| 7    | 171.045          | 0750 119 109 | 1662557     | Roller Set D.10x16,80 (120 pcs) | 120  |             |    | ● |  |  |  |           |
| 8    | 198.803          | 1297 232 023 | 1662555     | Planetary Gear Set (5 pcs)      | 1    |             | BC | ● |  |  |  |           |
| 8    | 198.810          | 1297 232 024 |             | Planetary Gear Set (5 pcs)      | 1    |             | DE | ● |  |  |  |           |
| 9    | 198.704          | 1297 298 912 |             | Planetary Gear Set              | 1    |             | BC | ● |  |  |  |           |
| 9    |                  | 1297 298 919 |             | Planetary Gear Set              | 1    |             | DE | ● |  |  |  |           |
| 10   | 123.217          | 1297 332 080 | 1662568     | Crown Gear 83 T                 | 1    |             | BC | ● |  |  |  |           |
| 10   | 123.208          | 1295 332 086 |             | Crown Gear 86 T                 | 1    |             | DE | ● |  |  |  |           |
| 11   | 150.138          | 1297 332 017 | 1662559     | Flange Gear 83 T                | 1    |             | BC | ● |  |  |  |           |
| 11   | 150.137          | 1297 332 035 |             | Flange Gear 86 T                | 1    |             | DE | ● |  |  |  |           |
| 12   | 111.129          | 0730 505 055 | 1526845     | Locking Wire                    | 1    |             | BC | ● |  |  |  |           |
| 12   | 111.198          | 0730 505 056 |             | Locking Wire                    | 1    |             | DE | ● |  |  |  |           |
| 13   | 130.310          | 0750 116 165 | 1662561     | Bearing D.80x110x16             | 1    |             |    | ● |  |  |  |           |
| 14   |                  | 1297 332 002 | 1662560     | Ring                            | 1    |             |    | ● |  |  |  |           |
| 15   | 198.358          | 1296 233 006 | 1527360     | Synchronizer Cone               | 1    |             |    | ● |  |  |  |           |
| 16   | 119.085          | 1296 333 022 |             | Synchronizer Ring               | 2    | Old Type    |    | ● |  |  |  |           |
| 16   | 119.172          | 1296 333 045 | 1527458     | Synchronizer Ring               | 2    | New Type    |    | ● |  |  |  |           |
| 17   | 157.113          | 1296 333 002 | 1526457     | Synchronizer Hub                | 1    |             |    | ● |  |  |  |           |
| 18   | 160.116          | 1240 304 278 | 6635324     | Pressure Piece                  | 9    |             |    | ● |  |  |  |           |
| 19   | 156.036          | 0732 040 386 | 6635323     | Inner Spring De.3x34            | 9    |             |    | ● |  |  |  |           |
| 20   | 156.037          | 0732 040 385 | 6635322     | Outer Spring De.6x34            | 9    |             |    | ● |  |  |  |           |
| 21   | 154.098          | 1296 333 023 | 1527459     | Sliding Sleeve                  | 1    |             |    | ● |  |  |  |           |
| 22   | 198.374          | 1313 233 001 | 1662575     | Synchronizer Cone (38 Spl.)     | 1    |             |    | ● |  |  |  |           |
| 24   | 130.245          | 0750 116 002 | 19499       | Bearing D.90x160x30             | 1    |             |    | ● |  |  |  |           |
| 25   |                  | 1296 301 067 | 1526826     | Cover                           | 1    |             |    | ● |  |  |  |           |
| 25   | 128.098          | 1315 301 220 | 1662553     | Cover                           | 1    |             |    | ● |  |  |  |           |
| 26   |                  | 0750 111 341 | 1526828     | Oil Seal 105x130x12             | 1    |             |    | ● |  |  |  |           |
| 27   |                  | 1297 338 010 | 1672060     | Output Flange                   | 1    | D.180-10.H. |    | ● |  |  |  |           |
| 27   |                  | 1297 338 051 | 1662570     | Output Flange                   | 1    | D.204-4.H.  |    | ● |  |  |  |           |
| 28   | 188.077          | 1295 332 051 | 6889862     | Stop Washer                     | 1    |             |    | ● |  |  |  |           |
| 29   | 141.163          | 1297 306 120 | 3094007     | Slide                           | 2    |             |    | ● |  |  |  |           |
| 30   |                  | 1297 206 103 |             | Fork                            | 1    |             |    | ● |  |  |  |           |
| 31   |                  | 1297 206 106 |             | Fork                            | 1    |             |    | ● |  |  |  |           |
| 32   |                  | 1297 206 174 |             | Fork                            | 1    |             |    | ● |  |  |  |           |
| 33   | 141.068          | 1295 306 132 | 1662543     | Bronze Slide                    | 2    |             |    | ● |  |  |  |           |
| 34   |                  | 1313 312 002 | 1662550     | Fork                            | 1    |             |    | ● |  |  |  |           |
| 35   |                  | 1297 312 008 | 1662549     | Selector Rod                    | 1    |             |    | ● |  |  |  |           |
| 36   | 132.046          | 1296 312 042 | 1526816     | Cylinder                        | 1    |             |    | ● |  |  |  |           |
| 37   | 139.331          | 0750 112 034 | 1526817     | Cap Collar D.25x38x14,2         | 1    |             |    | ● |  |  |  |           |

Notes

Date

03 / 2006

Table

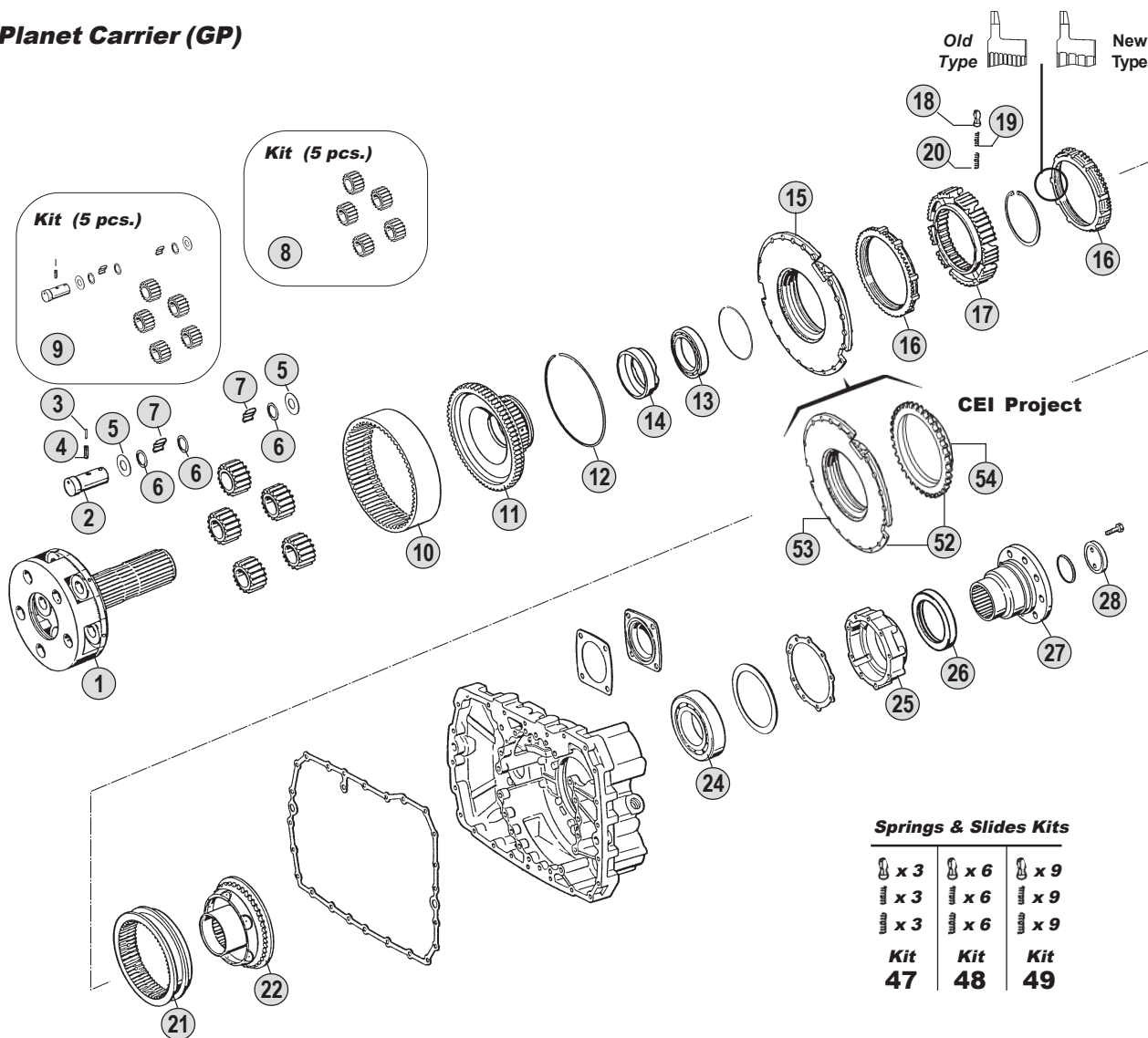
025 / B

All original equipment manufacturers numbers, symbols, pictures, models and description used in this catalogue are for reference only, and it is not implied that any part listed is the product of these manufactures.  
 Tutti i nostri particolari non sono originali ma con essi intercambiabili. I riferimenti originali, le figure, i modelli sono esposti a semplice titolo indicativo. La nostra produzione riporta il nostro marchio.

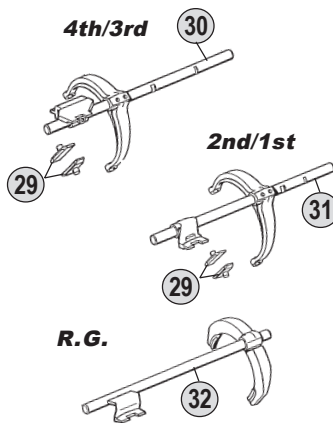
Suitable To : **ZF**

**16S190/1**

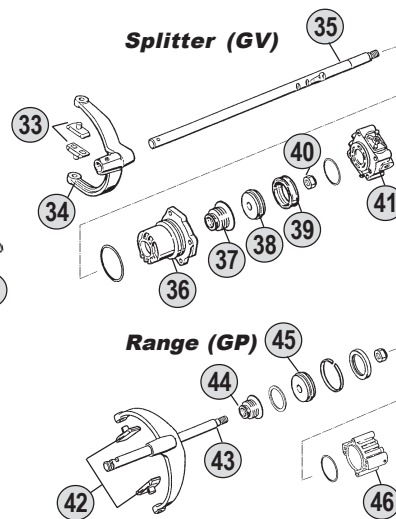
**Planet Carrier (GP)**



**Shifting Forks**



**Splitter (GV)**



**Kits**



**Ratios**

16S190/1 A :-- B : 11,46 - 0,85 C : 13,68 - 1,00 D : 14,29 - 0,82 E : 17,06 - 1,00

All original equipment manufacturers' numbers, symbols, pictures, models and description used in this catalogue are for reference only, and it is not implied that any part listed is the product of these manufactures. Tutti i nostri particolari non sono originali ma con essi intercambiabili. I riferimenti originali, le figure, i modelli sono esposti a semplice titolo indicativo. La nostra produzione riporta il nostro marchio.



| Ref. ZF      | Ref. CEI | OEM          | Tav. | Fig. | Ref. ZF      | Ref. CEI | OEM          | Tav. | Fig. | Ref. ZF      | Ref. CEI | OEM | Tav. | Fig. |
|--------------|----------|--------------|------|------|--------------|----------|--------------|------|------|--------------|----------|-----|------|------|
| 0501 203 683 | See      | 1295 212 008 |      |      | 0501 308 981 | 169.759  | IVE          | 010B | 5    | 0631 329 050 | 160.192  | MAN | 004B | 4    |
| 0501 204 595 | See      | 1295 212 008 |      |      | 0501 308 981 | 169.759  | IVE          | 011B | 5    | 0631 329 050 | 160.192  | MAN | 005B | 4    |
| 0501 305 887 | 169.408  | MB           | 001B | 5    | 0501 308 981 | 169.759  | IVE          | 011B | 5    | 0631 329 050 | 160.192  | IVE | 009B | 4    |
| 0501 305 887 | 169.408  | MB           | 002B | 5    | 0501 308 981 | 169.759  | IVE          | 012B | 5    | 0631 329 050 | 160.192  | IVE | 010B | 4    |
| 0501 305 887 | 169.408  | MB           | 002B | 5    | 0501 308 981 | 169.759  | RVI          | 015B | 5    | 0631 329 050 | 160.192  | RVI | 014B | 4    |
| 0501 305 887 | 169.408  | MAN          | 004B | 5    | 0501 308 981 | 169.759  | RVI          | 016B | 5    | 0631 329 050 | 160.192  | DAF | 018B | 4    |
| 0501 305 887 | 169.408  | MAN          | 005B | 5    | 0501 308 981 | 169.759  | DAF          | 019B | 5    | 0631 329 050 | 160.192  | DAF | 019B | 4    |
| 0501 305 887 | 169.408  | IVE          | 009B | 5    | 0501 308 981 | 169.759  | DAF          | 021B | 5    | 0631 329 050 | 160.192  | DAF | 020B | 4    |
| 0501 305 887 | 169.408  | RVI          | 014B | 5    | 0501 308 981 | 169.759  | DAF          | 021B | 5    | 0631 329 050 | 160.192  | VOL | 024B | 4    |
| 0501 305 887 | 169.408  | DAF          | 019B | 5    | 0501 308 981 | 169.759  | DAF          | 022B | 5    | 0631 329 050 | 160.192  | VOL | 025B | 4    |
| 0501 305 887 | 169.408  | DAF          | 019B | 5    | 0501 309 421 | See      | 0750 112 034 |      |      | 0631 329 051 | 160.194  | MB  | 002B | 4    |
| 0501 305 887 | 169.408  | DAF          | 020B | 5    | 0501 312 738 |          | MAN          | 007A | 6    | 0631 329 051 | 160.194  | MB  | 003B | 4    |
| 0501 305 887 | 169.408  | DAF          | 020B | 5    | 0501 312 738 |          | MAN          | 008A | 6    | 0631 329 051 | 160.194  | MAN | 005B | 4    |
| 0501 305 887 | 169.408  | VOL          | 024B | 5    | 0501 312 738 |          | IVE          | 012A | 6    | 0631 329 051 | 160.194  | MAN | 006B | 4    |
| 0501 306 212 | 169.753  | MB           | 001B | 5    | 0501 312 738 |          | IVE          | 013A | 6    | 0631 329 051 | 160.194  | MAN | 007B | 4    |
| 0501 306 212 | 169.753  | MB           | 002B | 5    | 0501 312 738 |          | RVI          | 016A | 6    | 0631 329 051 | 160.194  | MAN | 008B | 4    |
| 0501 306 212 | 169.753  | MB           | 002B | 5    | 0501 312 738 |          | RVI          | 017A | 6    | 0631 329 051 | 160.194  | IVE | 009B | 4    |
| 0501 306 212 | 169.753  | MB           | 003B | 5    | 0501 312 738 |          | DAF          | 022A | 6    | 0631 329 051 | 160.194  | IVE | 010B | 4    |
| 0501 306 212 | 169.753  | MAN          | 004B | 5    | 0501 312 738 |          | DAF          | 023A | 6    | 0631 329 051 | 160.194  | IVE | 011B | 4    |
| 0501 306 212 | 169.753  | MAN          | 005B | 5    | 0501 320 435 | 189.632  | MB           | 003A | 17   | 0631 329 051 | 160.194  | IVE | 012B | 4    |
| 0501 306 212 | 169.753  | MAN          | 005B | 5    | 0501 320 435 | 189.632  | MAN          | 006A | 17   | 0631 329 051 | 160.194  | IVE | 013B | 4    |
| 0501 306 212 | 169.753  | MAN          | 006B | 5    | 0501 320 435 | 189.632  | IVE          | 011A | 17   | 0631 329 051 | 160.194  | RVI | 015B | 4    |
| 0501 306 212 | 169.753  | IVE          | 009B | 5    | 0501 320 435 | 189.632  | RVI          | 015A | 17   | 0631 329 051 | 160.194  | RVI | 016B | 4    |
| 0501 306 212 | 169.753  | IVE          | 009B | 5    | 0501 320 435 | 189.632  | DAF          | 021A | 17   | 0631 329 051 | 160.194  | RVI | 017B | 4    |
| 0501 306 212 | 169.753  | IVE          | 010B | 5    | 0630 502 027 | 189.631  | MB           | 003A | 16   | 0631 329 051 | 160.194  | DAF | 019B | 4    |
| 0501 306 212 | 169.753  | IVE          | 011B | 5    | 0630 502 027 | 189.631  | MAN          | 006A | 16   | 0631 329 051 | 160.194  | DAF | 021B | 4    |
| 0501 306 212 | 169.753  | RVI          | 014B | 5    | 0630 502 027 | 189.631  | IVE          | 011A | 16   | 0631 329 051 | 160.194  | DAF | 022B | 4    |
| 0501 306 212 | 169.753  | DAF          | 018B | 5    | 0630 502 027 | 189.631  | RVI          | 015A | 16   | 0631 329 051 | 160.194  | DAF | 023B | 4    |
| 0501 306 212 | 169.753  | DAF          | 019B | 5    | 0630 502 027 | 189.631  | DAF          | 021A | 16   | 0631 329 167 | 160.195  | MB  | 002B | 3    |
| 0501 306 212 | 169.753  | DAF          | 019B | 5    | 0631 329 017 | 160.191  | MB           | 001B | 3    | 0631 329 167 | 160.195  | MB  | 003B | 3    |
| 0501 306 212 | 169.753  | DAF          | 020B | 5    | 0631 329 017 | 160.191  | MB           | 002B | 3    | 0631 329 167 | 160.195  | MAN | 005B | 3    |
| 0501 306 212 | 169.753  | DAF          | 020B | 5    | 0631 329 017 | 160.191  | MAN          | 004B | 3    | 0631 329 167 | 160.195  | MAN | 006B | 3    |
| 0501 306 212 | 169.753  | DAF          | 021B | 5    | 0631 329 017 | 160.191  | MAN          | 005B | 3    | 0631 329 167 | 160.195  | MAN | 007B | 3    |
| 0501 306 212 | 169.753  | VOL          | 024B | 5    | 0631 329 017 | 160.191  | IVE          | 009B | 3    | 0631 329 167 | 160.195  | MAN | 008B | 3    |
| 0501 306 212 | 169.753  | VOL          | 024B | 5    | 0631 329 017 | 160.191  | IVE          | 010B | 3    | 0631 329 167 | 160.195  | IVE | 009B | 3    |
| 0501 306 212 | 169.753  | VOL          | 025B | 5    | 0631 329 017 | 160.191  | RVI          | 014B | 3    | 0631 329 167 | 160.195  | IVE | 010B | 3    |
| 0501 308 981 | 169.759  | MB           | 002B | 5    | 0631 329 017 | 160.191  | DAF          | 018B | 3    | 0631 329 167 | 160.195  | IVE | 011B | 3    |
| 0501 308 981 | 169.759  | MB           | 003B | 5    | 0631 329 017 | 160.191  | DAF          | 019B | 3    | 0631 329 167 | 160.195  | IVE | 012B | 3    |
| 0501 308 981 | 169.759  | MAN          | 005B | 5    | 0631 329 017 | 160.191  | DAF          | 020B | 3    | 0631 329 167 | 160.195  | IVE | 013B | 3    |
| 0501 308 981 | 169.759  | MAN          | 006B | 5    | 0631 329 017 | 160.191  | VOL          | 024B | 3    | 0631 329 167 | 160.195  | RVI | 015B | 3    |
| 0501 308 981 | 169.759  | MAN          | 006B | 5    | 0631 329 017 | 160.191  | VOL          | 025B | 3    | 0631 329 167 | 160.195  | RVI | 016B | 3    |
| 0501 308 981 | 169.759  | MAN          | 007B | 5    | 0631 329 050 | 160.192  | MB           | 001B | 4    | 0631 329 167 | 160.195  | RVI | 017B | 3    |
| 0501 308 981 | 169.759  | IVE          | 009B | 5    | 0631 329 050 | 160.192  | MB           | 002B | 4    | 0631 329 167 | 160.195  | DAF | 019B | 3    |

All original equipment manufacturers' numbers, symbols, pictures, models and description used in this catalogue are for reference only, and it is not implied that any part listed is the product of these manufactures. Tutti i nostri particolari non sono originali ma con essi intercambiabili. I riferimenti originali, le figure, i modelli sono esposti a semplice titolo indicativo. La nostra produzione riporta il nostro marchio.

Date

03 / 2006

Table

Index

All original equipment manufacturers numbers, symbols, pictures, models and description used in this catalogue are for reference only, and it is not implied that any part listed is the product of these manufactures.  
Tutti i nostri particolari non sono originali ma con essi intercambiabili. I riferimenti originali, le figure, i modelli sono esposti a semplice titolo indicativo. La nostra produzione riporta il nostro marchio.

| Ref. ZF      | Ref. CEI | OEM Tav. | Fig.    | Ref. ZF      | Ref. CEI | OEM Tav.     | Fig.    | Ref. ZF      | Ref. CEI | OEM Tav. | Fig.    |
|--------------|----------|----------|---------|--------------|----------|--------------|---------|--------------|----------|----------|---------|
| 0631 329 167 | 160.195  | DAF      | 021B 3  | 0634 310 733 |          | MB           | 002A 2  | 0635 470 012 |          | RVI      | 015A 12 |
| 0631 329 167 | 160.195  | DAF      | 022B 3  | 0634 310 733 |          | MAN          | 004A 7  | 0635 470 012 |          | DAF      | 018A 16 |
| 0631 329 167 | 160.195  | DAF      | 023B 3  | 0634 310 733 |          | MAN          | 005A 2  | 0635 470 012 |          | DAF      | 019A 12 |
| 0631 329 293 |          | MAN      | 007A 74 | 0634 310 733 |          | MAN          | 006A 2  | 0635 470 012 |          | DAF      | 020A 12 |
| 0631 329 293 |          | MAN      | 008A 74 | 0634 310 733 |          | IVE          | 009A 2  | 0635 470 012 |          | DAF      | 021A 12 |
| 0631 329 293 |          | IVE      | 012A 74 | 0634 310 733 |          | RVI          | 014A 2  | 0635 470 012 |          | VOL      | 024A 12 |
| 0631 329 293 |          | IVE      | 013A 74 | 0634 310 733 |          | DAF          | 019A 2  | 0635 470 012 |          | VOL      | 025A 12 |
| 0631 329 293 |          | RVI      | 016A 74 | 0634 310 733 |          | DAF          | 020A 2  | 0730 061 816 | 169.754  | MB       | 001A 9  |
| 0631 329 293 |          | RVI      | 017A 74 | 0634 310 733 |          | DAF          | 021A 2  | 0730 061 816 | 169.754  | MB       | 002A 4  |
| 0631 329 293 |          | DAF      | 022A 74 | 0635 304 904 | See      | 0750 116 002 |         | 0730 061 816 | 169.754  | MB       | 003A 4  |
| 0631 329 293 |          | DAF      | 023A 74 | 0635 338 035 | 130.311  | MB           | 002B 13 | 0730 061 816 | 169.754  | MAN      | 004A 9  |
| 0631 329 294 |          | MAN      | 007A 74 | 0635 338 035 | 130.311  | MB           | 003B 13 | 0730 061 816 | 169.754  | MAN      | 005A 4  |
| 0631 329 294 |          | MAN      | 008A 74 | 0635 338 035 | 130.311  | MAN          | 005B 13 | 0730 061 816 | 169.754  | MAN      | 006A 4  |
| 0631 329 294 |          | IVE      | 012A 74 | 0635 338 035 | 130.311  | MAN          | 006B 13 | 0730 061 816 | 169.754  | IVE      | 009A 4  |
| 0631 329 294 |          | IVE      | 013A 74 | 0635 338 035 | 130.311  | MAN          | 007B 13 | 0730 061 816 | 169.754  | IVE      | 010A 4  |
| 0631 329 294 |          | RVI      | 016A 74 | 0635 338 035 | 130.311  | IVE          | 009B 13 | 0730 061 816 | 169.754  | IVE      | 011A 4  |
| 0631 329 294 |          | RVI      | 017A 74 | 0635 338 035 | 130.311  | IVE          | 010B 13 | 0730 061 816 | 169.754  | RVI      | 014A 4  |
| 0631 329 294 |          | DAF      | 022A 74 | 0635 338 035 | 130.311  | IVE          | 011B 13 | 0730 061 816 | 169.754  | RVI      | 015A 4  |
| 0631 329 294 |          | DAF      | 023A 74 | 0635 338 035 | 130.311  | IVE          | 012B 13 | 0730 061 816 | 169.754  | DAF      | 018A 9  |
| 0631 329 295 |          | MAN      | 007A 74 | 0635 338 035 | 130.311  | RVI          | 016B 13 | 0730 061 816 | 169.754  | DAF      | 019A 4  |
| 0631 329 295 |          | MAN      | 008A 74 | 0635 338 035 | 130.311  | DAF          | 019B 13 | 0730 061 816 | 169.754  | DAF      | 020A 4  |
| 0631 329 295 |          | IVE      | 012A 74 | 0635 338 035 | 130.311  | DAF          | 021B 13 | 0730 061 816 | 169.754  | DAF      | 021A 4  |
| 0631 329 295 |          | IVE      | 013A 74 | 0635 338 035 | 130.311  | DAF          | 022B 13 | 0730 061 816 | 169.754  | VOL      | 024A 4  |
| 0631 329 295 |          | RVI      | 016A 74 | 0635 338 048 | See      | 0750 116 166 |         | 0730 061 816 | 169.754  | VOL      | 025A 4  |
| 0631 329 295 |          | RVI      | 017A 74 | 0635 338 049 | See      | 0750 116 165 |         | 0730 061 842 |          | MB       | 001A 45 |
| 0631 329 295 |          | DAF      | 022A 74 | 0635 450 098 |          | MAN          | 007A 13 | 0730 061 842 |          | MB       | 002A 54 |
| 0631 329 295 |          | DAF      | 023A 74 | 0635 450 098 |          | MAN          | 008A 14 | 0730 061 842 |          | MAN      | 004A 45 |
| 0631 329 296 |          | MAN      | 007A 74 | 0635 450 098 |          | IVE          | 012A 13 | 0730 061 842 |          | MAN      | 005A 54 |
| 0631 329 296 |          | MAN      | 008A 74 | 0635 450 098 |          | IVE          | 013A 14 | 0730 061 842 |          | IVE      | 009A 54 |
| 0631 329 296 |          | IVE      | 012A 74 | 0635 450 098 |          | RVI          | 016A 13 | 0730 061 842 |          | IVE      | 010A 57 |
| 0631 329 296 |          | IVE      | 013A 74 | 0635 450 098 |          | RVI          | 017A 14 | 0730 061 842 |          | RVI      | 014A 54 |
| 0631 329 296 |          | RVI      | 016A 74 | 0635 450 098 |          | DAF          | 022A 13 | 0730 061 842 |          | DAF      | 018A 45 |
| 0631 329 296 |          | RVI      | 017A 74 | 0635 450 098 |          | DAF          | 023A 14 | 0730 061 842 |          | DAF      | 019A 54 |
| 0631 329 296 |          | DAF      | 022A 74 | 0635 470 012 |          | MB           | 001A 16 | 0730 061 842 |          | DAF      | 020A 57 |
| 0631 329 296 |          | DAF      | 023A 74 | 0635 470 012 |          | MB           | 002A 12 | 0730 061 842 |          | VOL      | 024A 54 |
| 0631 329 305 |          | MAN      | 008A 74 | 0635 470 012 |          | MB           | 003A 12 | 0730 061 842 |          | VOL      | 025A 57 |
| 0631 329 305 |          | RVI      | 017A 74 | 0635 470 012 |          | MAN          | 004A 16 | 0730 062 323 | 188.208  | MB       | 001A 20 |
| 0631 329 305 |          | DAF      | 023A 74 | 0635 470 012 |          | MAN          | 005A 12 | 0730 062 323 | 188.208  | MB       | 002A 16 |
| 0634 310 648 |          | MB       | 002A 21 | 0635 470 012 |          | MAN          | 006A 12 | 0730 062 323 | 188.208  | MAN      | 004A 20 |
| 0634 310 648 |          | MAN      | 005A 21 | 0635 470 012 |          | IVE          | 009A 12 | 0730 062 323 | 188.208  | MAN      | 005A 16 |
| 0634 310 648 |          | IVE      | 009A 21 | 0635 470 012 |          | IVE          | 010A 12 | 0730 062 323 | 188.208  | IVE      | 009A 16 |
| 0634 310 648 |          | IVE      | 010A 21 | 0635 470 012 |          | IVE          | 011A 12 | 0730 062 323 | 188.208  | IVE      | 010A 16 |
| 0634 310 733 |          | MB       | 001A 7  | 0635 470 012 |          | RVI          | 014A 12 | 0730 062 323 | 188.208  | RVI      | 014A 16 |

Date

03 / 2006

Table

Index

| Ref. ZF      | Ref. CEI | OEM | Tav. | Fig. | Ref. ZF      | Ref. CEI | OEM | Tav. | Fig. | Ref. ZF      | Ref. CEI | OEM | Tav. | Fig. |
|--------------|----------|-----|------|------|--------------|----------|-----|------|------|--------------|----------|-----|------|------|
| 0730 062 323 | 188.208  | DAF | 018A | 20   | 0730 103 244 |          | MB  | 002A | 5    | 0730 105 154 |          | IVE | 010A | 5    |
| 0730 062 323 | 188.208  | DAF | 019A | 16   | 0730 103 244 |          | MAN | 004A | 10   | 0730 105 154 |          | RVI | 014A | 5    |
| 0730 062 323 | 188.208  | DAF | 020A | 16   | 0730 103 244 |          | MAN | 005A | 5    | 0730 105 154 |          | DAF | 018A | 10   |
| 0730 062 323 | 188.208  | VOL | 024A | 16   | 0730 103 244 |          | IVE | 009A | 5    | 0730 105 154 |          | DAF | 019A | 5    |
| 0730 062 323 | 188.208  | VOL | 025A | 16   | 0730 103 244 |          | IVE | 010A | 5    | 0730 105 154 |          | DAF | 020A | 5    |
| 0730 062 579 | 169.755  | MB  | 001A | 9    | 0730 103 244 |          | RVI | 014A | 5    | 0730 105 154 |          | VOL | 024A | 5    |
| 0730 062 579 | 169.755  | MB  | 002A | 4    | 0730 103 244 |          | DAF | 018A | 10   | 0730 105 154 |          | VOL | 025A | 5    |
| 0730 062 579 | 169.755  | MAN | 004A | 9    | 0730 103 244 |          | DAF | 019A | 5    | 0730 105 156 |          | MB  | 001A | 10   |
| 0730 062 579 | 169.755  | MAN | 005A | 4    | 0730 103 244 |          | DAF | 020A | 5    | 0730 105 156 |          | MB  | 002A | 5    |
| 0730 062 579 | 169.755  | IVE | 009A | 4    | 0730 103 244 |          | VOL | 024A | 5    | 0730 105 156 |          | MAN | 004A | 10   |
| 0730 062 579 | 169.755  | IVE | 010A | 4    | 0730 103 244 |          | VOL | 025A | 5    | 0730 105 156 |          | MAN | 005A | 5    |
| 0730 062 579 | 169.755  | RVI | 014A | 4    | 0730 103 846 | 169.410  | MB  | 001B | 6    | 0730 105 156 |          | IVE | 009A | 5    |
| 0730 062 579 | 169.755  | DAF | 018A | 9    | 0730 103 846 | 169.410  | MB  | 002B | 6    | 0730 105 156 |          | IVE | 010A | 5    |
| 0730 062 579 | 169.755  | DAF | 019A | 4    | 0730 103 846 | 169.410  | MB  | 003B | 6    | 0730 105 156 |          | RVI | 014A | 5    |
| 0730 062 579 | 169.755  | DAF | 020A | 4    | 0730 103 846 | 169.410  | MAN | 004B | 6    | 0730 105 156 |          | DAF | 018A | 10   |
| 0730 062 579 | 169.755  | VOL | 024A | 4    | 0730 103 846 | 169.410  | MAN | 005B | 6    | 0730 105 156 |          | DAF | 019A | 5    |
| 0730 062 579 | 169.755  | VOL | 025A | 4    | 0730 103 846 | 169.410  | MAN | 006B | 6    | 0730 105 156 |          | DAF | 020A | 5    |
| 0730 062 781 |          | MB  | 003A | 20   | 0730 103 846 | 169.410  | IVE | 009B | 6    | 0730 105 156 |          | VOL | 024A | 5    |
| 0730 062 781 |          | MAN | 006A | 20   | 0730 103 846 | 169.410  | IVE | 010B | 6    | 0730 105 156 |          | VOL | 025A | 5    |
| 0730 062 781 |          | IVE | 011A | 20   | 0730 103 846 | 169.410  | IVE | 011B | 6    | 0730 106 158 |          | MB  | 003A | 5    |
| 0730 062 781 |          | RVI | 015A | 20   | 0730 103 846 | 169.410  | RVI | 014B | 6    | 0730 106 158 |          | MAN | 006A | 5    |
| 0730 062 781 |          | DAF | 021A | 20   | 0730 103 846 | 169.410  | DAF | 018B | 6    | 0730 106 158 |          | IVE | 011A | 5    |
| 0730 101 471 |          | MAN | 007A | 63   | 0730 103 846 | 169.410  | DAF | 019B | 6    | 0730 106 158 |          | RVI | 015A | 5    |
| 0730 101 471 |          | MAN | 007A | 63   | 0730 103 846 | 169.410  | DAF | 020B | 6    | 0730 106 158 |          | DAF | 021A | 5    |
| 0730 101 471 |          | MAN | 008A | 63   | 0730 103 846 | 169.410  | DAF | 021B | 6    | 0730 106 168 |          | MB  | 003A | 5    |
| 0730 101 471 |          | IVE | 012A | 63   | 0730 103 846 | 169.410  | VOL | 024B | 6    | 0730 106 168 |          | MAN | 006A | 5    |
| 0730 101 471 |          | IVE | 012A | 63   | 0730 103 846 | 169.410  | VOL | 025B | 6    | 0730 106 168 |          | IVE | 011A | 5    |
| 0730 101 471 |          | IVE | 013A | 63   | 0730 103 935 |          | MB  | 001A | 10   | 0730 106 168 |          | RVI | 015A | 5    |
| 0730 101 471 |          | RVI | 016A | 63   | 0730 103 935 |          | MB  | 002A | 5    | 0730 106 168 |          | DAF | 021A | 5    |
| 0730 101 471 |          | RVI | 016A | 63   | 0730 103 935 |          | MAN | 004A | 10   | 0730 106 917 |          | MAN | 007A | 63   |
| 0730 101 471 |          | RVI | 017A | 63   | 0730 103 935 |          | MAN | 005A | 5    | 0730 106 917 |          | MAN | 007A | 63   |
| 0730 101 471 |          | DAF | 022A | 63   | 0730 103 935 |          | IVE | 009A | 5    | 0730 106 917 |          | MAN | 008A | 63   |
| 0730 101 471 |          | DAF | 022A | 63   | 0730 103 935 |          | IVE | 010A | 5    | 0730 106 917 |          | IVE | 012A | 63   |
| 0730 101 471 |          | DAF | 023A | 63   | 0730 103 935 |          | RVI | 014A | 5    | 0730 106 917 |          | IVE | 012A | 63   |
| 0730 102 072 |          | MAN | 007A | 63   | 0730 103 935 |          | DAF | 018A | 10   | 0730 106 917 |          | IVE | 013A | 63   |
| 0730 102 072 |          | IVE | 012A | 63   | 0730 103 935 |          | DAF | 019A | 5    | 0730 106 917 |          | RVI | 016A | 63   |
| 0730 102 072 |          | RVI | 016A | 63   | 0730 103 935 |          | DAF | 020A | 5    | 0730 106 917 |          | RVI | 016A | 63   |
| 0730 102 072 |          | DAF | 022A | 63   | 0730 103 935 |          | VOL | 024A | 5    | 0730 106 917 |          | RVI | 017A | 63   |
| 0730 102 099 |          | MAN | 007A | 63   | 0730 103 935 |          | VOL | 025A | 5    | 0730 106 917 |          | DAF | 022A | 63   |
| 0730 102 099 |          | IVE | 012A | 63   | 0730 105 154 |          | MB  | 001A | 10   | 0730 106 917 |          | DAF | 022A | 63   |
| 0730 102 099 |          | RVI | 016A | 63   | 0730 105 154 |          | MB  | 002A | 5    | 0730 106 917 |          | DAF | 023A | 63   |
| 0730 102 099 |          | DAF | 022A | 63   | 0730 105 154 |          | MAN | 004A | 10   | 0730 107 019 |          | MB  | 003A | 21   |
| 0730 103 244 |          | MB  | 001A | 10   | 0730 105 154 |          | IVE | 009A | 5    | 0730 107 019 |          | MAN | 006A | 21   |

## Date

03 / 2006

## Table

## Index

| Ref. ZF      | Ref. CEI | OEM Tav. | Fig.    | Ref. ZF      | Ref. CEI | OEM Tav. | Fig.    | Ref. ZF      | Ref. CEI | OEM Tav. | Fig.    |
|--------------|----------|----------|---------|--------------|----------|----------|---------|--------------|----------|----------|---------|
| 0730 107 019 |          | IVE      | 011A 21 | 0730 109 309 | 269.010  | IVE      | 013B 6  | 0730 505 055 | 111.129  | MB       | 002B 12 |
| 0730 107 019 |          | RVI      | 015A 21 | 0730 109 309 | 269.010  | IVE      | 013B 6  | 0730 505 055 | 111.129  | MB       | 002B 12 |
| 0730 107 019 |          | DAF      | 021A 21 | 0730 109 309 | 269.010  | RVI      | 017B 6  | 0730 505 055 | 111.129  | MB       | 002B 12 |
| 0730 107 023 |          | MB       | 003A 21 | 0730 109 309 | 269.010  | RVI      | 017B 6  | 0730 505 055 | 111.129  | MB       | 003B 11 |
| 0730 107 023 |          | MAN      | 006A 21 | 0730 109 309 | 269.010  | DAF      | 023B 6  | 0730 505 055 | 111.129  | MAN      | 004B 12 |
| 0730 107 023 |          | IVE      | 011A 21 | 0730 109 309 | 269.010  | DAF      | 023B 6  | 0730 505 055 | 111.129  | MAN      | 005B 12 |
| 0730 107 023 |          | RVI      | 015A 21 | 0730 109 323 | 269.009  | MAN      | 008B 5  | 0730 505 055 | 111.129  | MAN      | 005B 12 |
| 0730 107 023 |          | DAF      | 021A 21 | 0730 109 323 | 269.009  | MAN      | 008B 5  | 0730 505 055 | 111.129  | MAN      | 006B 11 |
| 0730 107 168 | 169.744  | MB       | 002B 6  | 0730 109 323 | 269.009  | IVE      | 013B 5  | 0730 505 055 | 111.129  | IVE      | 009B 12 |
| 0730 107 168 | 169.744  | MB       | 003B 6  | 0730 109 323 | 269.009  | IVE      | 013B 5  | 0730 505 055 | 111.129  | IVE      | 009B 12 |
| 0730 107 168 | 169.744  | MAN      | 005B 6  | 0730 109 323 | 269.009  | RVI      | 017B 5  | 0730 505 055 | 111.129  | IVE      | 010B 12 |
| 0730 107 168 | 169.744  | MAN      | 006B 6  | 0730 109 323 | 269.009  | RVI      | 017B 5  | 0730 505 055 | 111.129  | IVE      | 011B 11 |
| 0730 107 168 | 169.744  | MAN      | 006B 6  | 0730 109 323 | 269.009  | DAF      | 023B 5  | 0730 505 055 | 111.129  | RVI      | 014B 12 |
| 0730 107 168 | 169.744  | MAN      | 007B 6  | 0730 109 323 | 269.009  | DAF      | 023B 5  | 0730 505 055 | 111.129  | DAF      | 018B 12 |
| 0730 107 168 | 169.744  | MAN      | 008B 5  | 0730 150 064 | 169.234  | MB       | 001A 58 | 0730 505 055 | 111.129  | DAF      | 019B 12 |
| 0730 107 168 | 169.744  | MAN      | 008B 5  | 0730 150 064 | 169.234  | MB       | 002A 66 | 0730 505 055 | 111.129  | DAF      | 019B 12 |
| 0730 107 168 | 169.744  | MAN      | 008B 6  | 0730 150 064 | 169.234  | MB       | 003A 66 | 0730 505 055 | 111.129  | DAF      | 019B 12 |
| 0730 107 168 | 169.744  | MAN      | 008B 6  | 0730 150 064 | 169.234  | MAN      | 004A 58 | 0730 505 055 | 111.129  | DAF      | 020B 12 |
| 0730 107 168 | 169.744  | IVE      | 009B 6  | 0730 150 064 | 169.234  | MAN      | 005A 66 | 0730 505 055 | 111.129  | DAF      | 020B 12 |
| 0730 107 168 | 169.744  | IVE      | 010B 6  | 0730 150 064 | 169.234  | MAN      | 006A 66 | 0730 505 055 | 111.129  | DAF      | 020B 12 |
| 0730 107 168 | 169.744  | IVE      | 011B 6  | 0730 150 064 | 169.234  | IVE      | 009A 66 | 0730 505 055 | 111.129  | DAF      | 021B 11 |
| 0730 107 168 | 169.744  | IVE      | 011B 6  | 0730 150 064 | 169.234  | IVE      | 010A 69 | 0730 505 055 | 111.129  | VOL      | 024B 12 |
| 0730 107 168 | 169.744  | IVE      | 012B 6  | 0730 150 064 | 169.234  | IVE      | 011A 66 | 0730 505 055 | 111.129  | VOL      | 024B 12 |
| 0730 107 168 | 169.744  | IVE      | 013B 5  | 0730 150 064 | 169.234  | RVI      | 014A 66 | 0730 505 055 | 111.129  | VOL      | 025B 12 |
| 0730 107 168 | 169.744  | IVE      | 013B 5  | 0730 150 064 | 169.234  | RVI      | 015A 66 | 0730 505 056 | 111.198  | MB       | 001B 12 |
| 0730 107 168 | 169.744  | IVE      | 013B 6  | 0730 150 064 | 169.234  | DAF      | 018A 58 | 0730 505 056 | 111.198  | MB       | 002B 12 |
| 0730 107 168 | 169.744  | IVE      | 013B 6  | 0730 150 064 | 169.234  | DAF      | 019A 66 | 0730 505 056 | 111.198  | MB       | 002B 12 |
| 0730 107 168 | 169.744  | RVI      | 015B 6  | 0730 150 064 | 169.234  | DAF      | 020A 69 | 0730 505 056 | 111.198  | MB       | 003B 11 |
| 0730 107 168 | 169.744  | RVI      | 016B 6  | 0730 150 064 | 169.234  | DAF      | 021A 66 | 0730 505 056 | 111.198  | MAN      | 004B 12 |
| 0730 107 168 | 169.744  | RVI      | 017B 5  | 0730 150 064 | 169.234  | VOL      | 024A 66 | 0730 505 056 | 111.198  | MAN      | 005B 12 |
| 0730 107 168 | 169.744  | RVI      | 017B 5  | 0730 150 064 | 169.234  | VOL      | 025A 69 | 0730 505 056 | 111.198  | MAN      | 005B 12 |
| 0730 107 168 | 169.744  | RVI      | 017B 6  | 0730 162 801 |          | MAN      | 008B 6  | 0730 505 056 | 111.198  | MAN      | 006B 11 |
| 0730 107 168 | 169.744  | RVI      | 017B 6  | 0730 162 801 |          | RVI      | 017B 6  | 0730 505 056 | 111.198  | MAN      | 006B 11 |
| 0730 107 168 | 169.744  | DAF      | 019B 6  | 0730 162 801 |          | DAF      | 023B 6  | 0730 505 056 | 111.198  | MAN      | 007B 11 |
| 0730 107 168 | 169.744  | DAF      | 021B 6  | 0730 260 398 |          | MAN      | 007A 5  | 0730 505 056 | 111.198  | IVE      | 009B 12 |
| 0730 107 168 | 169.744  | DAF      | 021B 6  | 0730 260 398 |          | MAN      | 008A 5  | 0730 505 056 | 111.198  | IVE      | 009B 12 |
| 0730 107 168 | 169.744  | DAF      | 022B 6  | 0730 260 398 |          | IVE      | 012A 5  | 0730 505 056 | 111.198  | IVE      | 010B 12 |
| 0730 107 168 | 169.744  | DAF      | 023B 5  | 0730 260 398 |          | IVE      | 013A 5  | 0730 505 056 | 111.198  | IVE      | 011B 11 |
| 0730 107 168 | 169.744  | DAF      | 023B 5  | 0730 260 398 |          | RVI      | 016A 5  | 0730 505 056 | 111.198  | IVE      | 011B 11 |
| 0730 107 168 | 169.744  | DAF      | 023B 6  | 0730 260 398 |          | RVI      | 017A 5  | 0730 505 056 | 111.198  | IVE      | 012B 11 |
| 0730 107 168 | 169.744  | DAF      | 023B 6  | 0730 260 398 |          | DAF      | 022A 5  | 0730 505 056 | 111.198  | RVI      | 014B 12 |
| 0730 109 309 | 269.010  | MAN      | 008B 6  | 0730 260 398 |          | DAF      | 023A 5  | 0730 505 056 | 111.198  | RVI      | 015B 11 |
| 0730 109 309 | 269.010  | MAN      | 008B 6  | 0730 505 055 | 111.129  | MB       | 001B 12 | 0730 505 056 | 111.198  | RVI      | 016B 11 |

All original equipment manufacturers numbers, symbols, pictures, models and description used in this catalogue are for reference only, and it is not implied that any part listed is the product of these manufactures.  
Tutti i nostri particolari non sono originali ma con essi intercambiabili. I riferimenti originali, le figure, i modelli sono esposti a semplice titolo indicativo. La nostra produzione riporta il nostro marchio.

ZF references index  
Indice riferimenti ZF

Date

03 / 2006

Table

Index



| Ref. ZF      | Ref. CEI | OEM | Tav. | Fig. | Ref. ZF      | Ref. CEI | OEM | Tav. | Fig. | Ref. ZF      | Ref. CEI | OEM | Tav. | Fig. |
|--------------|----------|-----|------|------|--------------|----------|-----|------|------|--------------|----------|-----|------|------|
| 0730 505 056 | 111.198  | DAF | 018B | 12   | 0732 040 385 | 156.037  | RVI | 017B | 22   | 0732 040 386 | 156.036  | DAF | 020B | 19   |
| 0730 505 056 | 111.198  | DAF | 019B | 12   | 0732 040 385 | 156.037  | DAF | 018A | 19   | 0732 040 386 | 156.036  | DAF | 021B | 18   |
| 0730 505 056 | 111.198  | DAF | 019B | 12   | 0732 040 385 | 156.037  | DAF | 018B | 20   | 0732 040 386 | 156.036  | DAF | 022B | 18   |
| 0730 505 056 | 111.198  | DAF | 020B | 12   | 0732 040 385 | 156.037  | DAF | 019A | 13   | 0732 040 386 | 156.036  | DAF | 023B | 21   |
| 0730 505 056 | 111.198  | DAF | 020B | 12   | 0732 040 385 | 156.037  | DAF | 019B | 20   | 0732 040 386 | 156.036  | VOL | 024A | 14   |
| 0730 505 056 | 111.198  | DAF | 021B | 11   | 0732 040 385 | 156.037  | DAF | 020A | 13   | 0732 040 386 | 156.036  | VOL | 024B | 19   |
| 0730 505 056 | 111.198  | DAF | 021B | 11   | 0732 040 385 | 156.037  | DAF | 020B | 20   | 0732 040 386 | 156.036  | VOL | 025A | 14   |
| 0730 505 056 | 111.198  | DAF | 022B | 11   | 0732 040 385 | 156.037  | DAF | 021B | 19   | 0732 040 386 | 156.036  | VOL | 025B | 19   |
| 0730 505 056 | 111.198  | VOL | 024B | 12   | 0732 040 385 | 156.037  | DAF | 022B | 19   | 0732 040 409 | 156.140  | MB  | 003A | 13   |
| 0730 505 056 | 111.198  | VOL | 024B | 12   | 0732 040 385 | 156.037  | DAF | 023B | 22   | 0732 040 409 | 156.140  | MAN | 006A | 13   |
| 0730 505 056 | 111.198  | VOL | 025B | 12   | 0732 040 385 | 156.037  | VOL | 024A | 13   | 0732 040 409 | 156.140  | MAN | 007A | 37   |
| 0730 513 583 |          | MAN | 008B | 11   | 0732 040 385 | 156.037  | VOL | 024B | 20   | 0732 040 409 | 156.140  | MAN | 008A | 22   |
| 0730 513 583 |          | IVE | 013B | 11   | 0732 040 385 | 156.037  | VOL | 025A | 13   | 0732 040 409 | 156.140  | IVE | 010A | 35   |
| 0730 513 583 |          | RVI | 017B | 11   | 0732 040 385 | 156.037  | VOL | 025B | 20   | 0732 040 409 | 156.140  | IVE | 011A | 13   |
| 0730 513 583 |          | DAF | 023B | 11   | 0732 040 386 | 156.036  | MB  | 001A | 18   | 0732 040 409 | 156.140  | IVE | 012A | 37   |
| 0730 513 639 |          | MAN | 008B | 11   | 0732 040 386 | 156.036  | MB  | 001B | 19   | 0732 040 409 | 156.140  | IVE | 013A | 22   |
| 0730 513 639 |          | RVI | 017B | 11   | 0732 040 386 | 156.036  | MB  | 002A | 14   | 0732 040 409 | 156.140  | RVI | 015A | 13   |
| 0730 513 639 |          | DAF | 023B | 11   | 0732 040 386 | 156.036  | MB  | 002B | 19   | 0732 040 409 | 156.140  | RVI | 016A | 37   |
| 0731 302 032 |          | MB  | 001A | 5    | 0732 040 386 | 156.036  | MB  | 003B | 18   | 0732 040 409 | 156.140  | RVI | 017A | 22   |
| 0731 302 032 |          | MAN | 004A | 5    | 0732 040 386 | 156.036  | MAN | 004A | 18   | 0732 040 409 | 156.140  | DAF | 020A | 35   |
| 0732 040 385 | 156.037  | MB  | 001A | 19   | 0732 040 386 | 156.036  | MAN | 004B | 19   | 0732 040 409 | 156.140  | DAF | 021A | 13   |
| 0732 040 385 | 156.037  | MB  | 001B | 20   | 0732 040 386 | 156.036  | MAN | 005A | 14   | 0732 040 409 | 156.140  | DAF | 022A | 37   |
| 0732 040 385 | 156.037  | MB  | 002A | 13   | 0732 040 386 | 156.036  | MAN | 005B | 19   | 0732 040 409 | 156.140  | DAF | 023A | 22   |
| 0732 040 385 | 156.037  | MB  | 002B | 20   | 0732 040 386 | 156.036  | MAN | 006B | 18   | 0732 040 409 | 156.140  | VOL | 025A | 35   |
| 0732 040 385 | 156.037  | MB  | 003B | 19   | 0732 040 386 | 156.036  | MAN | 007B | 18   | 0734 300 140 |          | MB  | 002A | 22   |
| 0732 040 385 | 156.037  | MAN | 004A | 19   | 0732 040 386 | 156.036  | MAN | 008B | 21   | 0734 300 140 |          | MAN | 005A | 22   |
| 0732 040 385 | 156.037  | MAN | 004B | 20   | 0732 040 386 | 156.036  | IVE | 009A | 14   | 0734 300 140 |          | IVE | 009A | 22   |
| 0732 040 385 | 156.037  | MAN | 005A | 13   | 0732 040 386 | 156.036  | IVE | 009B | 19   | 0734 300 140 |          | IVE | 010A | 22   |
| 0732 040 385 | 156.037  | MAN | 005B | 20   | 0732 040 386 | 156.036  | IVE | 010A | 14   | 0734 310 104 |          | MAN | 007A | 12   |
| 0732 040 385 | 156.037  | MAN | 006B | 19   | 0732 040 386 | 156.036  | IVE | 010B | 19   | 0734 310 104 |          | MAN | 008A | 13   |
| 0732 040 385 | 156.037  | MAN | 007B | 19   | 0732 040 386 | 156.036  | IVE | 011B | 18   | 0734 310 104 |          | IVE | 012A | 12   |
| 0732 040 385 | 156.037  | MAN | 008B | 22   | 0732 040 386 | 156.036  | IVE | 012B | 18   | 0734 310 104 |          | IVE | 013A | 13   |
| 0732 040 385 | 156.037  | IVE | 009A | 13   | 0732 040 386 | 156.036  | IVE | 013B | 21   | 0734 310 104 |          | RVI | 016A | 12   |
| 0732 040 385 | 156.037  | IVE | 009B | 20   | 0732 040 386 | 156.036  | RVI | 014A | 14   | 0734 310 104 |          | RVI | 017A | 13   |
| 0732 040 385 | 156.037  | IVE | 010A | 13   | 0732 040 386 | 156.036  | RVI | 014B | 19   | 0734 310 104 |          | DAF | 022A | 12   |
| 0732 040 385 | 156.037  | IVE | 010B | 20   | 0732 040 386 | 156.036  | RVI | 015B | 18   | 0734 310 104 |          | DAF | 023A | 13   |
| 0732 040 385 | 156.037  | IVE | 011B | 19   | 0732 040 386 | 156.036  | RVI | 016B | 18   | 0734 310 386 | 139.754  | MB  | 001A | 7    |
| 0732 040 385 | 156.037  | IVE | 012B | 19   | 0732 040 386 | 156.036  | RVI | 017B | 21   | 0734 310 386 | 139.754  | MB  | 002A | 2    |
| 0732 040 385 | 156.037  | IVE | 013B | 22   | 0732 040 386 | 156.036  | DAF | 018A | 18   | 0734 310 386 | 139.754  | MB  | 003A | 2    |
| 0732 040 385 | 156.037  | RVI | 014A | 13   | 0732 040 386 | 156.036  | DAF | 018B | 19   | 0734 310 386 | 139.754  | MAN | 004A | 7    |
| 0732 040 385 | 156.037  | RVI | 014B | 20   | 0732 040 386 | 156.036  | DAF | 019A | 14   | 0734 310 386 | 139.754  | MAN | 005A | 2    |
| 0732 040 385 | 156.037  | RVI | 015B | 19   | 0732 040 386 | 156.036  | DAF | 019B | 19   | 0734 310 386 | 139.754  | MAN | 006A | 2    |
| 0732 040 385 | 156.037  | RVI | 016B | 19   | 0732 040 386 | 156.036  | DAF | 020A | 14   | 0734 310 386 | 139.754  | MAN | 007A | 12   |

Date

03 / 2006

Table

Index

| Ref. ZF      | Ref. CEI | OEM Tav.     | Fig.    | Ref. ZF      | Ref. CEI | OEM Tav.     | Fig.    | Ref. ZF      | Ref. CEI | OEM Tav. | Fig.    |
|--------------|----------|--------------|---------|--------------|----------|--------------|---------|--------------|----------|----------|---------|
| 0734 310 386 | 139.754  | MAN          | 008A 13 | 0735 320 418 | 137.084  | DAF          | 020A 40 | 0735 320 486 | 137.111  | DAF      | 020A 51 |
| 0734 310 386 | 139.754  | IVE          | 009A 2  | 0735 320 418 | 137.084  | VOL          | 024A 36 | 0735 320 486 | 137.111  | VOL      | 024A 48 |
| 0734 310 386 | 139.754  | IVE          | 010A 2  | 0735 320 418 | 137.084  | VOL          | 024A 38 | 0735 320 486 | 137.111  | VOL      | 025A 51 |
| 0734 310 386 | 139.754  | IVE          | 011A 2  | 0735 320 451 | 137.112  | MB           | 002A 36 | 0735 320 487 | 137.110  | MB       | 002A 44 |
| 0734 310 386 | 139.754  | IVE          | 012A 12 | 0735 320 451 | 137.112  | MB           | 002A 38 | 0735 320 487 | 137.110  | MAN      | 005A 44 |
| 0734 310 386 | 139.754  | IVE          | 013A 13 | 0735 320 451 | 137.112  | MAN          | 005A 36 | 0735 320 487 | 137.110  | IVE      | 009A 44 |
| 0734 310 386 | 139.754  | RVI          | 015A 2  | 0735 320 451 | 137.112  | MAN          | 005A 38 | 0735 320 487 | 137.110  | IVE      | 010A 46 |
| 0734 310 386 | 139.754  | RVI          | 016A 12 | 0735 320 451 | 137.112  | MAN          | 006A 32 | 0735 320 487 | 137.110  | DAF      | 019A 44 |
| 0734 310 386 | 139.754  | RVI          | 017A 13 | 0735 320 451 | 137.112  | IVE          | 009A 36 | 0735 320 487 | 137.110  | DAF      | 020A 46 |
| 0734 310 386 | 139.754  | DAF          | 020A 2  | 0735 320 451 | 137.112  | IVE          | 009A 38 | 0735 320 487 | 137.110  | VOL      | 024A 44 |
| 0734 310 386 | 139.754  | DAF          | 021A 2  | 0735 320 451 | 137.112  | IVE          | 010A 38 | 0735 320 487 | 137.110  | VOL      | 025A 46 |
| 0734 310 386 | 139.754  | DAF          | 022A 12 | 0735 320 451 | 137.112  | RVI          | 014A 38 | 0735 320 496 | 137.085  | MB       | 002A 44 |
| 0734 310 386 | 139.754  | DAF          | 023A 13 | 0735 320 451 | 137.112  | DAF          | 019A 36 | 0735 320 496 | 137.085  | MAN      | 005A 44 |
| 0734 310 386 | 139.754  | VOL          | 024A 2  | 0735 320 451 | 137.112  | DAF          | 019A 38 | 0735 320 496 | 137.085  | IVE      | 009A 44 |
| 0734 310 386 | 139.754  | VOL          | 025A 2  | 0735 320 451 | 137.112  | DAF          | 020A 38 | 0735 320 496 | 137.085  | RVI      | 014A 44 |
| 0734 317 025 | See      | 0750 112 089 |         | 0735 320 451 | 137.112  | DAF          | 020A 40 | 0735 320 496 | 137.085  | DAF      | 019A 44 |
| 0734 319 514 |          | MAN          | 007A 12 | 0735 320 451 | 137.112  | VOL          | 024A 36 | 0735 320 496 | 137.085  | DAF      | 020A 46 |
| 0734 319 514 |          | MAN          | 008A 13 | 0735 320 451 | 137.112  | VOL          | 024A 38 | 0735 320 496 | 137.085  | VOL      | 024A 44 |
| 0734 319 514 |          | IVE          | 012A 12 | 0735 320 451 | 137.112  | VOL          | 025A 38 | 0735 320 548 | 137.159  | MB       | 002A 44 |
| 0734 319 514 |          | IVE          | 013A 13 | 0735 320 452 | 137.109  | MB           | 002A 38 | 0735 320 548 | 137.159  | MB       | 002A 44 |
| 0734 319 514 |          | RVI          | 016A 12 | 0735 320 452 | 137.109  | MAN          | 005A 38 | 0735 320 548 | 137.159  | MAN      | 005A 44 |
| 0734 319 514 |          | RVI          | 017A 13 | 0735 320 452 | 137.109  | IVE          | 009A 38 | 0735 320 548 | 137.159  | IVE      | 009A 44 |
| 0734 319 514 |          | DAF          | 022A 12 | 0735 320 452 | 137.109  | IVE          | 010A 40 | 0735 320 548 | 137.159  | RVI      | 014A 44 |
| 0734 319 514 |          | DAF          | 023A 13 | 0735 320 452 | 137.109  | DAF          | 019A 38 | 0735 320 548 | 137.159  | DAF      | 019A 44 |
| 0735 298 169 | 130.312  | MAN          | 008B 14 | 0735 320 452 | 137.109  | DAF          | 020A 40 | 0735 320 548 | 137.159  | DAF      | 019A 44 |
| 0735 298 169 | 130.312  | IVE          | 013B 14 | 0735 320 452 | 137.109  | VOL          | 024A 38 | 0735 320 548 | 137.159  | DAF      | 020A 46 |
| 0735 298 169 | 130.312  | RVI          | 017B 14 | 0735 320 452 | 137.109  | VOL          | 025A 40 | 0735 320 548 | 137.159  | DAF      | 020A 46 |
| 0735 298 169 | 130.312  | DAF          | 023B 14 | 0735 320 460 | 137.158  | MB           | 001A 30 | 0735 320 548 | 137.159  | VOL      | 024A 44 |
| 0735 320 042 | See      | 0750 115 011 |         | 0735 320 460 | 137.158  | MB           | 002A 36 | 0735 320 549 |          | MB       | 002A 38 |
| 0735 320 418 | 137.084  | MB           | 001A 30 | 0735 320 460 | 137.158  | MAN          | 004A 30 | 0735 320 549 |          | DAF      | 019A 38 |
| 0735 320 418 | 137.084  | MB           | 002A 36 | 0735 320 460 | 137.158  | DAF          | 019A 36 | 0735 320 549 |          | DAF      | 020A 40 |
| 0735 320 418 | 137.084  | MB           | 002A 38 | 0735 320 460 | 137.158  | DAF          | 020A 38 | 0735 320 568 | 137.161  | MB       | 001A 35 |
| 0735 320 418 | 137.084  | MAN          | 004A 30 | 0735 320 461 |          | MB           | 001A 35 | 0735 320 568 | 137.161  | MAN      | 004A 35 |
| 0735 320 418 | 137.084  | MAN          | 005A 36 | 0735 320 461 |          | MAN          | 004A 35 | 0735 320 568 | 137.161  | DAF      | 018A 35 |
| 0735 320 418 | 137.084  | MAN          | 005A 38 | 0735 320 462 | See      | 0750 115 059 |         | 0735 320 786 | 137.082  | MB       | 001A 11 |
| 0735 320 418 | 137.084  | IVE          | 009A 36 | 0735 320 486 | 137.111  | MB           | 001A 40 | 0735 320 786 | 137.082  | MB       | 002A 7  |
| 0735 320 418 | 137.084  | IVE          | 009A 38 | 0735 320 486 | 137.111  | MB           | 002A 48 | 0735 320 786 | 137.082  | MAN      | 004A 11 |
| 0735 320 418 | 137.084  | RVI          | 014A 36 | 0735 320 486 | 137.111  | MAN          | 004A 40 | 0735 320 786 | 137.082  | MAN      | 005A 7  |
| 0735 320 418 | 137.084  | RVI          | 014A 38 | 0735 320 486 | 137.111  | MAN          | 005A 48 | 0735 320 786 | 137.082  | IVE      | 009A 7  |
| 0735 320 418 | 137.084  | DAF          | 018A 30 | 0735 320 486 | 137.111  | IVE          | 009A 48 | 0735 320 786 | 137.082  | RVI      | 014A 7  |
| 0735 320 418 | 137.084  | DAF          | 019A 36 | 0735 320 486 | 137.111  | IVE          | 010A 51 | 0735 320 786 | 137.082  | DAF      | 019A 7  |
| 0735 320 418 | 137.084  | DAF          | 019A 38 | 0735 320 486 | 137.111  | DAF          | 018A 40 | 0735 320 786 | 137.082  | DAF      | 020A 7  |
| 0735 320 418 | 137.084  | DAF          | 020A 38 | 0735 320 486 | 137.111  | DAF          | 019A 48 | 0735 320 786 | 137.082  | VOL      | 024A 7  |

Date

03 / 2006

Table

Index

ZF references index  
Indice riferimenti ZF

# ZF Index

| Ref. ZF      | Ref. CEI | OEM | Tav. | Fig. | Ref. ZF      | Ref. CEI | OEM          | Tav. | Fig. | Ref. ZF      | Ref. CEI | OEM | Tav. | Fig. |
|--------------|----------|-----|------|------|--------------|----------|--------------|------|------|--------------|----------|-----|------|------|
| 0735 320 799 | 137.139  | MB  | 002A | 7    | 0735 321 438 | 137.134  | RVI          | 016A | 16   | 0737 006 095 |          | MB  | 001B | 39   |
| 0735 320 799 | 137.139  | DAF | 019A | 7    | 0735 321 438 | 137.134  | DAF          | 021A | 7    | 0737 006 095 |          | MB  | 002B | 39   |
| 0735 320 799 | 137.139  | DAF | 020A | 7    | 0735 321 438 | 137.134  | DAF          | 022A | 16   | 0737 006 095 |          | MB  | 003B | 39   |
| 0735 320 896 | 137.153  | MB  | 001A | 11   | 0735 321 451 |          | MB           | 003A | 32   | 0737 006 095 |          | MAN | 004B | 39   |
| 0735 320 896 | 137.153  | MB  | 002A | 7    | 0735 321 451 |          | IVE          | 011A | 32   | 0737 006 095 |          | MAN | 005B | 39   |
| 0735 320 896 | 137.153  | MAN | 004A | 11   | 0735 321 451 |          | DAF          | 021A | 32   | 0737 006 095 |          | MAN | 006B | 39   |
| 0735 320 896 | 137.153  | MAN | 005A | 7    | 0735 358 155 | 137.163  | MB           | 002A | 7    | 0737 006 095 |          | IVE | 009B | 39   |
| 0735 320 896 | 137.153  | IVE | 009A | 7    | 0735 370 055 | See      | 0750 117 010 |      |      | 0737 006 095 |          | IVE | 010B | 40   |
| 0735 320 896 | 137.153  | IVE | 010A | 7    | 0735 370 059 | See      | 0750 117 011 |      |      | 0737 006 095 |          | IVE | 011B | 39   |
| 0735 320 896 | 137.153  | DAF | 018A | 11   | 0735 370 063 | See      | 0750 117 008 |      |      | 0737 006 095 |          | RVI | 014B | 39   |
| 0735 320 896 | 137.153  | DAF | 019A | 7    | 0735 371 604 | 130.519  | MAN          | 008A | 64   | 0737 006 095 |          | RVI | 015B | 39   |
| 0735 320 896 | 137.153  | DAF | 020A | 7    | 0735 371 604 | 130.519  | MAN          | 008A | 69   | 0737 006 095 |          | DAF | 018B | 39   |
| 0735 320 896 | 137.153  | VOL | 024A | 7    | 0735 371 604 | 130.519  | RVI          | 017A | 64   | 0737 006 095 |          | DAF | 019B | 39   |
| 0735 320 896 | 137.153  | VOL | 025A | 7    | 0735 371 604 | 130.519  | RVI          | 017A | 69   | 0737 006 095 |          | DAF | 020B | 40   |
| 0735 321 087 | 137.137  | MAN | 006A | 32   | 0735 371 604 | 130.519  | DAF          | 023A | 64   | 0737 006 095 |          | DAF | 021B | 39   |
| 0735 321 087 | 137.137  | MAN | 006A | 35   | 0735 371 604 | 130.519  | DAF          | 023A | 69   | 0737 006 095 |          | VOL | 024B | 39   |
| 0735 321 087 | 137.137  | MAN | 007A | 40   | 0735 410 057 | See      | 0750 118 153 |      |      | 0737 006 095 |          | VOL | 025B | 40   |
| 0735 321 087 | 137.137  | MAN | 008A | 40   | 0735 410 137 | See      | 0750 118 137 |      |      | 0737 502 092 | 187.412  | MB  | 001A | 24   |
| 0735 321 087 | 137.137  | IVE | 011A | 32   | 0735 455 023 | See      | 0750 118 010 |      |      | 0737 502 092 | 187.412  | MB  | 002A | 28   |
| 0735 321 087 | 137.137  | IVE | 011A | 35   | 0735 455 040 | See      | 0750 118 038 |      |      | 0737 502 092 | 187.412  | MAN | 004A | 24   |
| 0735 321 087 | 137.137  | IVE | 012A | 40   | 0735 455 248 | See      | 0750 118 220 |      |      | 0737 502 092 | 187.412  | MAN | 005A | 28   |
| 0735 321 087 | 137.137  | IVE | 013A | 40   | 0735 470 057 | 171.016  | MB           | 001B | 7    | 0737 502 092 | 187.412  | IVE | 009A | 28   |
| 0735 321 087 | 137.137  | RVI | 015A | 32   | 0735 470 057 | 171.016  | MB           | 002B | 7    | 0737 502 092 | 187.412  | IVE | 010A | 28   |
| 0735 321 087 | 137.137  | RVI | 015A | 35   | 0735 470 057 | 171.016  | MB           | 002B | 7    | 0737 502 092 | 187.412  | RVI | 014A | 28   |
| 0735 321 087 | 137.137  | RVI | 016A | 40   | 0735 470 057 | 171.016  | MAN          | 004B | 7    | 0737 502 092 | 187.412  | DAF | 018A | 24   |
| 0735 321 087 | 137.137  | RVI | 017A | 40   | 0735 470 057 | 171.016  | MAN          | 005B | 7    | 0737 502 092 | 187.412  | DAF | 019A | 28   |
| 0735 321 087 | 137.137  | DAF | 021A | 32   | 0735 470 057 | 171.016  | IVE          | 009B | 7    | 0737 502 092 | 187.412  | DAF | 020A | 28   |
| 0735 321 087 | 137.137  | DAF | 021A | 35   | 0735 470 057 | 171.016  | RVI          | 014B | 7    | 0737 502 092 | 187.412  | VOL | 024A | 28   |
| 0735 321 087 | 137.137  | DAF | 022A | 40   | 0735 470 057 | 171.016  | DAF          | 019B | 7    | 0737 502 092 | 187.412  | VOL | 025A | 28   |
| 0735 321 087 | 137.137  | DAF | 023A | 40   | 0735 470 057 | 171.016  | DAF          | 019B | 7    | 0750 101 158 | 169.776  | MAN | 007A | 28   |
| 0735 321 103 |          | MB  | 003A | 53   | 0735 470 057 | 171.016  | DAF          | 020B | 7    | 0750 101 158 | 169.776  | MAN | 008A | 28   |
| 0735 321 103 |          | MAN | 006A | 53   | 0735 470 057 | 171.016  | DAF          | 020B | 7    | 0750 101 158 | 169.776  | IVE | 012A | 28   |
| 0735 321 103 |          | IVE | 011A | 53   | 0735 470 057 | 171.016  | VOL          | 024B | 7    | 0750 101 158 | 169.776  | IVE | 013A | 28   |
| 0735 321 103 |          | DAF | 021A | 53   | 0735 470 074 | See      | 0750 119 109 |      |      | 0750 101 158 | 169.776  | RVI | 016A | 28   |
| 0735 321 437 | 137.133  | MAN | 007A | 16   | 0735 470 163 | See      | 0750 119 116 |      |      | 0750 101 158 | 169.776  | RVI | 017A | 28   |
| 0735 321 437 | 137.133  | IVE | 012A | 16   | 0735 470 164 | 171.046  | MAN          | 006B | 7    | 0750 101 158 | 169.776  | DAF | 022A | 28   |
| 0735 321 437 | 137.133  | RVI | 016A | 16   | 0735 470 164 | 171.046  | MAN          | 007B | 7    | 0750 101 158 | 169.776  | DAF | 023A | 28   |
| 0735 321 437 | 137.133  | DAF | 022A | 16   | 0735 470 164 | 171.046  | IVE          | 011B | 7    | 0750 111 002 |          | MB  | 001A | 7    |
| 0735 321 438 | 137.134  | MB  | 003A | 7    | 0735 470 164 | 171.046  | IVE          | 012B | 7    | 0750 111 002 |          | MB  | 002A | 2    |
| 0735 321 438 | 137.134  | MAN | 006A | 7    | 0735 470 164 | 171.046  | RVI          | 015B | 7    | 0750 111 002 |          | MAN | 004A | 7    |
| 0735 321 438 | 137.134  | MAN | 007A | 16   | 0735 470 164 | 171.046  | RVI          | 016B | 7    | 0750 111 002 |          | MAN | 004A | 7    |
| 0735 321 438 | 137.134  | IVE | 011A | 7    | 0735 470 164 | 171.046  | DAF          | 021B | 7    | 0750 111 002 |          | MAN | 005A | 2    |
| 0735 321 438 | 137.134  | IVE | 012A | 16   | 0735 470 164 | 171.046  | DAF          | 022B | 7    | 0750 111 002 |          | IVE | 009A | 2    |

Date

03 / 2006

Table

Index

| Ref. ZF      | Ref. CEI | OEM Tav.     | Fig. | Ref. ZF      | Ref. CEI | OEM Tav. | Fig. | Ref. ZF      | Ref. CEI | OEM Tav. | Fig. |
|--------------|----------|--------------|------|--------------|----------|----------|------|--------------|----------|----------|------|
| 0750 111 002 |          | IVE 010A     | 2    | 0750 112 034 | 139.331  | MAN 007B | 42   | 0750 112 089 |          | MB 002B  | 38   |
| 0750 111 002 |          | DAF 018A     | 7    | 0750 112 034 | 139.331  | MAN 008B | 38   | 0750 112 089 |          | MB 003B  | 38   |
| 0750 111 002 |          | DAF 019A     | 2    | 0750 112 034 | 139.331  | MAN 008B | 44   | 0750 112 089 |          | MAN 004B | 38   |
| 0750 111 002 |          | DAF 020A     | 2    | 0750 112 034 | 139.331  | IVE 009B | 36   | 0750 112 089 |          | MAN 005B | 38   |
| 0750 111 341 |          | MB 001B      | 26   | 0750 112 034 | 139.331  | IVE 009B | 43   | 0750 112 089 |          | MAN 006B | 38   |
| 0750 111 341 |          | MB 002B      | 26   | 0750 112 034 | 139.331  | IVE 010B | 37   | 0750 112 089 |          | IVE 009B | 38   |
| 0750 111 341 |          | MB 003B      | 25   | 0750 112 034 | 139.331  | IVE 010B | 44   | 0750 112 089 |          | IVE 010B | 39   |
| 0750 111 341 |          | MAN 004B     | 26   | 0750 112 034 | 139.331  | IVE 011B | 36   | 0750 112 089 |          | IVE 011B | 38   |
| 0750 111 341 |          | MAN 005B     | 26   | 0750 112 034 | 139.331  | IVE 011B | 42   | 0750 112 089 |          | RVI 014B | 38   |
| 0750 111 341 |          | MAN 006B     | 25   | 0750 112 034 | 139.331  | IVE 012B | 36   | 0750 112 089 |          | RVI 015B | 38   |
| 0750 111 341 |          | MAN 007B     | 26   | 0750 112 034 | 139.331  | IVE 012B | 42   | 0750 112 089 |          | DAF 018B | 38   |
| 0750 111 341 |          | MAN 008B     | 28   | 0750 112 034 | 139.331  | IVE 013B | 38   | 0750 112 089 |          | DAF 019B | 38   |
| 0750 111 341 |          | IVE 009B     | 26   | 0750 112 034 | 139.331  | IVE 013B | 44   | 0750 112 089 |          | DAF 020B | 39   |
| 0750 111 341 |          | IVE 010B     | 26   | 0750 112 034 | 139.331  | RVI 014B | 36   | 0750 112 089 |          | DAF 021B | 38   |
| 0750 111 341 |          | IVE 011B     | 25   | 0750 112 034 | 139.331  | RVI 014B | 43   | 0750 112 089 |          | VOL 024B | 38   |
| 0750 111 341 |          | IVE 012B     | 26   | 0750 112 034 | 139.331  | RVI 015B | 36   | 0750 112 089 |          | VOL 025B | 39   |
| 0750 111 341 |          | IVE 013B     | 28   | 0750 112 034 | 139.331  | RVI 015B | 42   | 0750 112 131 |          | MAN 007B | 35   |
| 0750 111 341 |          | RVI 014B     | 26   | 0750 112 034 | 139.331  | RVI 016B | 36   | 0750 112 131 |          | MAN 007B | 45   |
| 0750 111 341 |          | RVI 015B     | 25   | 0750 112 034 | 139.331  | RVI 016B | 42   | 0750 112 131 |          | MAN 008B | 37   |
| 0750 111 341 |          | RVI 016B     | 26   | 0750 112 034 | 139.331  | RVI 017B | 38   | 0750 112 131 |          | MAN 008B | 47   |
| 0750 111 341 |          | RVI 017B     | 28   | 0750 112 034 | 139.331  | RVI 017B | 44   | 0750 112 131 |          | IVE 012B | 35   |
| 0750 111 341 |          | DAF 018B     | 26   | 0750 112 034 | 139.331  | DAF 018B | 36   | 0750 112 131 |          | IVE 012B | 45   |
| 0750 111 341 |          | DAF 019B     | 26   | 0750 112 034 | 139.331  | DAF 018B | 43   | 0750 112 131 |          | IVE 013B | 37   |
| 0750 111 341 |          | DAF 020B     | 26   | 0750 112 034 | 139.331  | DAF 019B | 36   | 0750 112 131 |          | IVE 013B | 47   |
| 0750 111 341 |          | DAF 021B     | 25   | 0750 112 034 | 139.331  | DAF 019B | 43   | 0750 112 131 |          | RVI 016B | 35   |
| 0750 111 341 |          | DAF 022B     | 26   | 0750 112 034 | 139.331  | DAF 020B | 37   | 0750 112 131 |          | RVI 016B | 45   |
| 0750 111 341 |          | DAF 023B     | 28   | 0750 112 034 | 139.331  | DAF 020B | 44   | 0750 112 131 |          | RVI 017B | 37   |
| 0750 111 341 |          | VOL 024B     | 26   | 0750 112 034 | 139.331  | DAF 021B | 36   | 0750 112 131 |          | RVI 017B | 47   |
| 0750 111 341 |          | VOL 025B     | 26   | 0750 112 034 | 139.331  | DAF 021B | 42   | 0750 112 131 |          | DAF 022B | 35   |
| 0750 112 018 | See      | 0750 112 034 |      | 0750 112 034 | 139.331  | DAF 022B | 36   | 0750 112 131 |          | DAF 022B | 45   |
| 0750 112 034 | 139.331  | MB 001B      | 36   | 0750 112 034 | 139.331  | DAF 022B | 42   | 0750 112 131 |          | DAF 023B | 37   |
| 0750 112 034 | 139.331  | MB 001B      | 43   | 0750 112 034 | 139.331  | DAF 023B | 38   | 0750 112 131 |          | DAF 023B | 47   |
| 0750 112 034 | 139.331  | MB 002B      | 36   | 0750 112 034 | 139.331  | DAF 023B | 44   | 0750 115 011 | 137.007  | MB 001A  | 56   |
| 0750 112 034 | 139.331  | MB 002B      | 43   | 0750 112 034 | 139.331  | VOL 024B | 36   | 0750 115 011 | 137.007  | MB 002A  | 64   |
| 0750 112 034 | 139.331  | MB 003B      | 36   | 0750 112 034 | 139.331  | VOL 024B | 43   | 0750 115 011 | 137.007  | MAN 004A | 56   |
| 0750 112 034 | 139.331  | MB 003B      | 42   | 0750 112 034 | 139.331  | VOL 025B | 37   | 0750 115 011 | 137.007  | MAN 005A | 64   |
| 0750 112 034 | 139.331  | MAN 004B     | 36   | 0750 112 034 | 139.331  | VOL 025B | 44   | 0750 115 011 | 137.007  | MAN 006A | 64   |
| 0750 112 034 | 139.331  | MAN 004B     | 43   | 0750 112 048 |          | MB 003B  | 38   | 0750 115 011 | 137.007  | IVE 009A | 64   |
| 0750 112 034 | 139.331  | MAN 005B     | 36   | 0750 112 048 |          | MAN 006B | 38   | 0750 115 011 | 137.007  | IVE 010A | 67   |
| 0750 112 034 | 139.331  | MAN 005B     | 43   | 0750 112 048 |          | IVE 011B | 38   | 0750 115 011 | 137.007  | IVE 011A | 64   |
| 0750 112 034 | 139.331  | MAN 006B     | 36   | 0750 112 048 |          | RVI 015B | 38   | 0750 115 011 | 137.007  | RVI 014A | 64   |
| 0750 112 034 | 139.331  | MAN 006B     | 42   | 0750 112 048 |          | DAF 021B | 38   | 0750 115 011 | 137.007  | RVI 015A | 64   |
| 0750 112 034 | 139.331  | MAN 007B     | 36   | 0750 112 089 |          | MB 001B  | 38   | 0750 115 011 | 137.007  | DAF 018A | 56   |

Date

03 / 2006

Table

Index

ZF references index  
Indice riferimenti ZF

| Ref. ZF      | Ref. CEI       | OEM | Tav. | Fig. | Ref. ZF      | Ref. CEI       | OEM | Tav. | Fig. | Ref. ZF      | Ref. CEI       | OEM | Tav. | Fig. |
|--------------|----------------|-----|------|------|--------------|----------------|-----|------|------|--------------|----------------|-----|------|------|
| 0750 115 011 | <b>137.007</b> | DAF | 019A | 64   | 0750 115 310 | 137.148        | RVI | 016A | 16   | 0750 115 327 | <b>137.151</b> | IVE | 011A | 48   |
| 0750 115 011 | <b>137.007</b> | DAF | 020A | 67   | 0750 115 310 | 137.148        | DAF | 021A | 7    | 0750 115 327 | <b>137.151</b> | IVE | 012A | 54   |
| 0750 115 011 | <b>137.007</b> | DAF | 021A | 64   | 0750 115 310 | 137.148        | DAF | 022A | 16   | 0750 115 327 | <b>137.151</b> | IVE | 013A | 54   |
| 0750 115 011 | <b>137.007</b> | VOL | 024A | 64   | 0750 115 324 | <b>137.162</b> | MAN | 006A | 53   | 0750 115 327 | <b>137.151</b> | RVI | 016A | 54   |
| 0750 115 011 | <b>137.007</b> | VOL | 025A | 67   | 0750 115 324 | <b>137.162</b> | MAN | 007A | 59   | 0750 115 327 | <b>137.151</b> | RVI | 017A | 54   |
| 0750 115 059 | <b>137.086</b> | MB  | 001A | 40   | 0750 115 324 | <b>137.162</b> | MAN | 008A | 59   | 0750 115 327 | <b>137.151</b> | DAF | 021A | 48   |
| 0750 115 059 | <b>137.086</b> | MB  | 002A | 48   | 0750 115 324 | <b>137.162</b> | IVE | 011A | 53   | 0750 115 327 | <b>137.151</b> | DAF | 022A | 54   |
| 0750 115 059 | <b>137.086</b> | MAN | 004A | 40   | 0750 115 324 | <b>137.162</b> | IVE | 012A | 59   | 0750 115 327 | <b>137.151</b> | DAF | 023A | 54   |
| 0750 115 059 | <b>137.086</b> | MAN | 005A | 48   | 0750 115 324 | <b>137.162</b> | IVE | 013A | 59   | 0750 115 366 | <b>137.135</b> | MAN | 007A | 70   |
| 0750 115 059 | <b>137.086</b> | IVE | 009A | 48   | 0750 115 324 | <b>137.162</b> | RVI | 015A | 53   | 0750 115 366 | <b>137.135</b> | MAN | 008A | 70   |
| 0750 115 059 | <b>137.086</b> | RVI | 014A | 48   | 0750 115 324 | <b>137.162</b> | RVI | 016A | 59   | 0750 115 366 | <b>137.135</b> | IVE | 012A | 70   |
| 0750 115 059 | <b>137.086</b> | DAF | 019A | 48   | 0750 115 324 | <b>137.162</b> | RVI | 017A | 59   | 0750 115 366 | <b>137.135</b> | IVE | 013A | 70   |
| 0750 115 059 | <b>137.086</b> | DAF | 020A | 51   | 0750 115 324 | <b>137.162</b> | DAF | 021A | 53   | 0750 115 366 | <b>137.135</b> | RVI | 016A | 70   |
| 0750 115 059 | <b>137.086</b> | VOL | 024A | 48   | 0750 115 324 | <b>137.162</b> | DAF | 022A | 59   | 0750 115 366 | <b>137.135</b> | RVI | 017A | 70   |
| 0750 115 255 | 137.154        | MB  | 003A | 64   | 0750 115 324 | <b>137.162</b> | DAF | 023A | 59   | 0750 115 366 | <b>137.135</b> | DAF | 022A | 70   |
| 0750 115 255 | 137.154        | MAN | 006A | 64   | 0750 115 325 | <b>137.160</b> | MAN | 006A | 48   | 0750 115 366 | <b>137.135</b> | DAF | 023A | 70   |
| 0750 115 255 | 137.154        | IVE | 011A | 64   | 0750 115 325 | <b>137.160</b> | MAN | 007A | 54   | 0750 115 369 | <b>137.149</b> | MAN | 007A | 70   |
| 0750 115 255 | 137.154        | DAF | 021A | 64   | 0750 115 325 | <b>137.160</b> | MAN | 008A | 54   | 0750 115 369 | <b>137.149</b> | MAN | 008A | 70   |
| 0750 115 303 | <b>137.138</b> | MB  | 003A | 32   | 0750 115 325 | <b>137.160</b> | IVE | 011A | 48   | 0750 115 369 | <b>137.149</b> | IVE | 012A | 70   |
| 0750 115 303 | <b>137.138</b> | MB  | 003A | 35   | 0750 115 325 | <b>137.160</b> | IVE | 012A | 54   | 0750 115 369 | <b>137.149</b> | IVE | 013A | 70   |
| 0750 115 303 | <b>137.138</b> | MAN | 006A | 32   | 0750 115 325 | <b>137.160</b> | IVE | 013A | 54   | 0750 115 369 | <b>137.149</b> | RVI | 016A | 70   |
| 0750 115 303 | <b>137.138</b> | MAN | 006A | 35   | 0750 115 325 | <b>137.160</b> | RVI | 015A | 48   | 0750 115 369 | <b>137.149</b> | RVI | 017A | 70   |
| 0750 115 303 | <b>137.138</b> | MAN | 007A | 40   | 0750 115 325 | <b>137.160</b> | RVI | 016A | 54   | 0750 115 369 | <b>137.149</b> | DAF | 022A | 70   |
| 0750 115 303 | <b>137.138</b> | MAN | 008A | 40   | 0750 115 325 | <b>137.160</b> | RVI | 017A | 54   | 0750 115 369 | <b>137.149</b> | DAF | 023A | 70   |
| 0750 115 303 | <b>137.138</b> | IVE | 011A | 32   | 0750 115 325 | <b>137.160</b> | DAF | 021A | 48   | 0750 115 531 | <b>137.136</b> | MAN | 007A | 30   |
| 0750 115 303 | <b>137.138</b> | IVE | 011A | 35   | 0750 115 325 | <b>137.160</b> | DAF | 022A | 54   | 0750 115 531 | <b>137.136</b> | MAN | 008A | 30   |
| 0750 115 303 | <b>137.138</b> | IVE | 012A | 40   | 0750 115 325 | <b>137.160</b> | DAF | 023A | 54   | 0750 115 531 | <b>137.136</b> | IVE | 012A | 30   |
| 0750 115 303 | <b>137.138</b> | IVE | 013A | 40   | 0750 115 326 | <b>137.140</b> | MB  | 003A | 53   | 0750 115 531 | <b>137.136</b> | IVE | 013A | 30   |
| 0750 115 303 | <b>137.138</b> | RVI | 016A | 40   | 0750 115 326 | <b>137.140</b> | MAN | 006A | 53   | 0750 115 531 | <b>137.136</b> | RVI | 016A | 30   |
| 0750 115 303 | <b>137.138</b> | RVI | 017A | 40   | 0750 115 326 | <b>137.140</b> | MAN | 007A | 59   | 0750 115 531 | <b>137.136</b> | RVI | 017A | 30   |
| 0750 115 303 | <b>137.138</b> | DAF | 021A | 32   | 0750 115 326 | <b>137.140</b> | MAN | 008A | 59   | 0750 115 531 | <b>137.136</b> | DAF | 022A | 30   |
| 0750 115 303 | <b>137.138</b> | DAF | 021A | 35   | 0750 115 326 | <b>137.140</b> | IVE | 011A | 53   | 0750 115 531 | <b>137.136</b> | DAF | 023A | 30   |
| 0750 115 303 | <b>137.138</b> | DAF | 022A | 40   | 0750 115 326 | <b>137.140</b> | IVE | 012A | 59   | 0750 115 534 | 137.164        | MAN | 007A | 30   |
| 0750 115 303 | <b>137.138</b> | DAF | 023A | 40   | 0750 115 326 | <b>137.140</b> | IVE | 013A | 59   | 0750 115 534 | 137.164        | MAN | 008A | 30   |
| 0750 115 304 |                | MB  | 003A | 48   | 0750 115 326 | <b>137.140</b> | RVI | 016A | 59   | 0750 115 534 | 137.164        | IVE | 012A | 30   |
| 0750 115 304 |                | MAN | 006A | 48   | 0750 115 326 | <b>137.140</b> | RVI | 017A | 59   | 0750 115 534 | 137.164        | IVE | 013A | 30   |
| 0750 115 304 |                | IVE | 011A | 48   | 0750 115 326 | <b>137.140</b> | DAF | 021A | 53   | 0750 115 534 | 137.164        | RVI | 016A | 30   |
| 0750 115 304 |                | DAF | 021A | 48   | 0750 115 326 | <b>137.140</b> | DAF | 022A | 59   | 0750 115 534 | 137.164        | RVI | 017A | 30   |
| 0750 115 310 | 137.148        | MAN | 006A | 7    | 0750 115 326 | <b>137.140</b> | DAF | 023A | 59   | 0750 115 534 | 137.164        | DAF | 022A | 30   |
| 0750 115 310 | 137.148        | MAN | 007A | 16   | 0750 115 327 | <b>137.151</b> | MB  | 003A | 48   | 0750 115 534 | 137.164        | DAF | 023A | 30   |
| 0750 115 310 | 137.148        | IVE | 011A | 7    | 0750 115 327 | <b>137.151</b> | MAN | 006A | 48   | 0750 116 002 | 130.245        | MB  | 001B | 24   |
| 0750 115 310 | 137.148        | IVE | 012A | 16   | 0750 115 327 | <b>137.151</b> | MAN | 007A | 54   | 0750 116 002 | 130.245        | MB  | 002B | 24   |
| 0750 115 310 | 137.148        | RVI | 015A | 7    | 0750 115 327 | <b>137.151</b> | MAN | 008A | 54   | 0750 116 002 | 130.245        | MB  | 003B | 23   |

Date

03 / 2006

Table

Index

| Ref. ZF      | Ref. CEI | OEM Tav. | Fig.    | Ref. ZF      | Ref. CEI | OEM Tav. | Fig.    | Ref. ZF      | Ref. CEI | OEM Tav. | Fig.    |
|--------------|----------|----------|---------|--------------|----------|----------|---------|--------------|----------|----------|---------|
| 0750 116 002 | 130.245  | MAN      | 004B 24 | 0750 116 165 | 130.310  | DAF      | 021B 13 | 0750 117 009 | 130.308  | IVE      | 012A 64 |
| 0750 116 002 | 130.245  | MAN      | 005B 24 | 0750 116 165 | 130.310  | DAF      | 022B 13 | 0750 117 009 | 130.308  | IVE      | 012A 69 |
| 0750 116 002 | 130.245  | MAN      | 006B 23 | 0750 116 165 | 130.310  | VOL      | 024B 13 | 0750 117 009 | 130.308  | IVE      | 013A 64 |
| 0750 116 002 | 130.245  | MAN      | 007B 24 | 0750 116 165 | 130.310  | VOL      | 024B 13 | 0750 117 009 | 130.308  | IVE      | 013A 69 |
| 0750 116 002 | 130.245  | MAN      | 008B 26 | 0750 116 165 | 130.310  | VOL      | 025B 13 | 0750 117 009 | 130.308  | RVI      | 016A 64 |
| 0750 116 002 | 130.245  | IVE      | 009B 24 | 0750 116 166 | 130.244  | MB       | 001B 13 | 0750 117 009 | 130.308  | RVI      | 016A 64 |
| 0750 116 002 | 130.245  | IVE      | 010B 24 | 0750 116 166 | 130.244  | MB       | 002B 13 | 0750 117 009 | 130.308  | RVI      | 016A 69 |
| 0750 116 002 | 130.245  | IVE      | 011B 23 | 0750 116 166 | 130.244  | MB       | 002B 13 | 0750 117 009 | 130.308  | RVI      | 017A 64 |
| 0750 116 002 | 130.245  | IVE      | 012B 24 | 0750 116 166 | 130.244  | MAN      | 004B 13 | 0750 117 009 | 130.308  | RVI      | 017A 69 |
| 0750 116 002 | 130.245  | IVE      | 013B 26 | 0750 116 166 | 130.244  | MAN      | 005B 13 | 0750 117 009 | 130.308  | DAF      | 019A 62 |
| 0750 116 002 | 130.245  | RVI      | 014B 24 | 0750 116 166 | 130.244  | IVE      | 009B 13 | 0750 117 009 | 130.308  | DAF      | 020A 65 |
| 0750 116 002 | 130.245  | RVI      | 015B 23 | 0750 116 166 | 130.244  | RVI      | 014B 13 | 0750 117 009 | 130.308  | DAF      | 021A 57 |
| 0750 116 002 | 130.245  | RVI      | 016B 24 | 0750 116 166 | 130.244  | DAF      | 019B 13 | 0750 117 009 | 130.308  | DAF      | 021A 62 |
| 0750 116 002 | 130.245  | RVI      | 017B 26 | 0750 116 166 | 130.244  | DAF      | 019B 13 | 0750 117 009 | 130.308  | DAF      | 022A 64 |
| 0750 116 002 | 130.245  | DAF      | 018B 24 | 0750 116 166 | 130.244  | DAF      | 020B 13 | 0750 117 009 | 130.308  | DAF      | 022A 64 |
| 0750 116 002 | 130.245  | DAF      | 019B 24 | 0750 116 166 | 130.244  | DAF      | 020B 13 | 0750 117 009 | 130.308  | DAF      | 022A 69 |
| 0750 116 002 | 130.245  | DAF      | 020B 24 | 0750 116 166 | 130.244  | VOL      | 024B 13 | 0750 117 009 | 130.308  | DAF      | 023A 64 |
| 0750 116 002 | 130.245  | DAF      | 021B 23 | 0750 117 008 | 130.243  | MB       | 001A 54 | 0750 117 009 | 130.308  | DAF      | 023A 69 |
| 0750 116 002 | 130.245  | DAF      | 022B 24 | 0750 117 008 | 130.243  | MB       | 002A 62 | 0750 117 009 | 130.308  | VOL      | 024A 62 |
| 0750 116 002 | 130.245  | DAF      | 023B 26 | 0750 117 008 | 130.243  | MAN      | 004A 54 | 0750 117 009 | 130.308  | VOL      | 025A 65 |
| 0750 116 002 | 130.245  | VOL      | 024B 24 | 0750 117 008 | 130.243  | MAN      | 005A 62 | 0750 117 010 | 130.242  | MB       | 001A 49 |
| 0750 116 002 | 130.245  | VOL      | 025B 24 | 0750 117 008 | 130.243  | IVE      | 009A 62 | 0750 117 010 | 130.242  | MB       | 002A 57 |
| 0750 116 165 | 130.310  | MB       | 001B 13 | 0750 117 008 | 130.243  | RVI      | 014A 62 | 0750 117 010 | 130.242  | MAN      | 004A 49 |
| 0750 116 165 | 130.310  | MB       | 002B 13 | 0750 117 008 | 130.243  | DAF      | 018A 54 | 0750 117 010 | 130.242  | MAN      | 005A 57 |
| 0750 116 165 | 130.310  | MAN      | 004B 13 | 0750 117 008 | 130.243  | DAF      | 019A 62 | 0750 117 010 | 130.242  | MAN      | 006A 57 |
| 0750 116 165 | 130.310  | MAN      | 005B 13 | 0750 117 008 | 130.243  | DAF      | 020A 65 | 0750 117 010 | 130.242  | MAN      | 007A 64 |
| 0750 116 165 | 130.310  | MAN      | 005B 13 | 0750 117 008 | 130.243  | VOL      | 024A 62 | 0750 117 010 | 130.242  | IVE      | 009A 57 |
| 0750 116 165 | 130.310  | MAN      | 006B 13 | 0750 117 009 | 130.308  | MB       | 002A 62 | 0750 117 010 | 130.242  | IVE      | 010A 60 |
| 0750 116 165 | 130.310  | MAN      | 007B 13 | 0750 117 009 | 130.308  | MB       | 003A 57 | 0750 117 010 | 130.242  | IVE      | 011A 57 |
| 0750 116 165 | 130.310  | IVE      | 009B 13 | 0750 117 009 | 130.308  | MB       | 003A 62 | 0750 117 010 | 130.242  | IVE      | 012A 64 |
| 0750 116 165 | 130.310  | IVE      | 009B 13 | 0750 117 009 | 130.308  | MAN      | 005A 62 | 0750 117 010 | 130.242  | RVI      | 014A 57 |
| 0750 116 165 | 130.310  | IVE      | 010B 13 | 0750 117 009 | 130.308  | MAN      | 006A 57 | 0750 117 010 | 130.242  | RVI      | 015A 57 |
| 0750 116 165 | 130.310  | IVE      | 011B 13 | 0750 117 009 | 130.308  | MAN      | 006A 62 | 0750 117 010 | 130.242  | RVI      | 016A 64 |
| 0750 116 165 | 130.310  | IVE      | 012B 13 | 0750 117 009 | 130.308  | MAN      | 007A 64 | 0750 117 010 | 130.242  | DAF      | 018A 49 |
| 0750 116 165 | 130.310  | RVI      | 014B 13 | 0750 117 009 | 130.308  | MAN      | 007A 64 | 0750 117 010 | 130.242  | DAF      | 019A 57 |
| 0750 116 165 | 130.310  | RVI      | 015B 13 | 0750 117 009 | 130.308  | MAN      | 007A 69 | 0750 117 010 | 130.242  | DAF      | 020A 60 |
| 0750 116 165 | 130.310  | RVI      | 016B 13 | 0750 117 009 | 130.308  | MAN      | 008A 64 | 0750 117 010 | 130.242  | DAF      | 021A 57 |
| 0750 116 165 | 130.310  | DAF      | 018B 13 | 0750 117 009 | 130.308  | MAN      | 008A 69 | 0750 117 010 | 130.242  | DAF      | 022A 64 |
| 0750 116 165 | 130.310  | DAF      | 019B 13 | 0750 117 009 | 130.308  | IVE      | 009A 62 | 0750 117 010 | 130.242  | VOL      | 024A 57 |
| 0750 116 165 | 130.310  | DAF      | 019B 13 | 0750 117 009 | 130.308  | IVE      | 010A 65 | 0750 117 010 | 130.242  | VOL      | 025A 60 |
| 0750 116 165 | 130.310  | DAF      | 019B 13 | 0750 117 009 | 130.308  | IVE      | 011A 57 | 0750 117 011 | 130.307  | MB       | 001A 54 |
| 0750 116 165 | 130.310  | DAF      | 020B 13 | 0750 117 009 | 130.308  | IVE      | 011A 62 | 0750 117 011 | 130.307  | MB       | 002A 62 |
| 0750 116 165 | 130.310  | DAF      | 020B 13 | 0750 117 009 | 130.308  | IVE      | 012A 64 | 0750 117 011 | 130.307  | MAN      | 004A 54 |

All original equipment manufacturers numbers, symbols, pictures, models and description used in this catalogue are for reference only, and it is not implied that any part listed is the product of these manufactures.  
Tutti i nostri particolari non sono originali ma con essi intercambiabili. I riferimenti originali, le figure, i modelli sono esposti a semplice titolo indicativo. La nostra produzione riporta il nostro marchio.

ZF references index  
Indice riferimenti ZF

Date

03 / 2006

Table

Index

| Ref. ZF      | Ref. CEI       | OEM          | Tav. | Fig. | Ref. ZF      | Ref. CEI       | OEM          | Tav. | Fig. | Ref. ZF      | Ref. CEI | OEM          | Tav. | Fig. |
|--------------|----------------|--------------|------|------|--------------|----------------|--------------|------|------|--------------|----------|--------------|------|------|
| 0750 117 011 | <b>130.307</b> | MAN          | 006A | 62   | 0750 117 651 |                | MAN          | 005A | 20   | 0750 118 005 | 137.083  | DAF          | 019A | 29   |
| 0750 117 011 | <b>130.307</b> | MAN          | 007A | 69   | 0750 117 651 |                | IVE          | 009A | 20   | 0750 118 005 | 137.083  | DAF          | 020A | 29   |
| 0750 117 011 | <b>130.307</b> | MAN          | 008A | 69   | 0750 117 651 |                | IVE          | 010A | 20   | 0750 118 005 | 137.083  | VOL          | 024A | 29   |
| 0750 117 011 | <b>130.307</b> | IVE          | 011A | 62   | 0750 117 677 | <b>130.309</b> | MAN          | 006A | 55   | 0750 118 006 | 137.702  | MB           | 002A | 56   |
| 0750 117 011 | <b>130.307</b> | IVE          | 012A | 69   | 0750 117 677 | <b>130.309</b> | MAN          | 007A | 61   | 0750 118 006 | 137.702  | MAN          | 005A | 56   |
| 0750 117 011 | <b>130.307</b> | IVE          | 013A | 69   | 0750 117 677 | <b>130.309</b> | MAN          | 008A | 61   | 0750 118 006 | 137.702  | IVE          | 009A | 56   |
| 0750 117 011 | <b>130.307</b> | RVI          | 015A | 62   | 0750 117 677 | <b>130.309</b> | IVE          | 011A | 55   | 0750 118 006 | 137.702  | IVE          | 010A | 59   |
| 0750 117 011 | <b>130.307</b> | RVI          | 016A | 69   | 0750 117 677 | <b>130.309</b> | IVE          | 012A | 61   | 0750 118 006 | 137.702  | DAF          | 019A | 56   |
| 0750 117 011 | <b>130.307</b> | RVI          | 017A | 69   | 0750 117 677 | <b>130.309</b> | IVE          | 013A | 61   | 0750 118 006 | 137.702  | DAF          | 020A | 59   |
| 0750 117 011 | <b>130.307</b> | DAF          | 019A | 62   | 0750 117 677 | <b>130.309</b> | RVI          | 015A | 55   | 0750 118 006 | 137.702  | VOL          | 024A | 56   |
| 0750 117 011 | <b>130.307</b> | DAF          | 020A | 65   | 0750 117 677 | <b>130.309</b> | RVI          | 016A | 61   | 0750 118 006 | 137.702  | VOL          | 025A | 59   |
| 0750 117 011 | <b>130.307</b> | DAF          | 021A | 62   | 0750 117 677 | <b>130.309</b> | RVI          | 017A | 61   | 0750 118 007 | 130.517  | MB           | 002A | 6    |
| 0750 117 011 | <b>130.307</b> | DAF          | 022A | 69   | 0750 117 677 | <b>130.309</b> | DAF          | 021A | 55   | 0750 118 010 | 137.081  | MB           | 001A | 23   |
| 0750 117 011 | <b>130.307</b> | DAF          | 023A | 69   | 0750 117 677 | <b>130.309</b> | DAF          | 022A | 61   | 0750 118 010 | 137.081  | MB           | 002A | 27   |
| 0750 117 232 | <b>137.150</b> | MB           | 003A | 22   | 0750 117 677 | <b>130.309</b> | DAF          | 023A | 61   | 0750 118 010 | 137.081  | MAN          | 004A | 23   |
| 0750 117 232 | <b>137.150</b> | MAN          | 006A | 22   | 0750 117 678 | <b>130.304</b> | MB           | 003A | 55   | 0750 118 010 | 137.081  | MAN          | 005A | 27   |
| 0750 117 232 | <b>137.150</b> | MAN          | 007A | 26   | 0750 117 678 | <b>130.304</b> | MAN          | 006A | 55   | 0750 118 010 | 137.081  | IVE          | 009A | 27   |
| 0750 117 232 | <b>137.150</b> | MAN          | 008A | 26   | 0750 117 678 | <b>130.304</b> | MAN          | 007A | 61   | 0750 118 010 | 137.081  | RVI          | 014A | 27   |
| 0750 117 232 | <b>137.150</b> | IVE          | 011A | 22   | 0750 117 678 | <b>130.304</b> | MAN          | 008A | 61   | 0750 118 010 | 137.081  | DAF          | 019A | 27   |
| 0750 117 232 | <b>137.150</b> | IVE          | 012A | 26   | 0750 117 678 | <b>130.304</b> | IVE          | 011A | 55   | 0750 118 010 | 137.081  | DAF          | 020A | 27   |
| 0750 117 232 | <b>137.150</b> | IVE          | 013A | 26   | 0750 117 678 | <b>130.304</b> | IVE          | 012A | 61   | 0750 118 010 | 137.081  | VOL          | 024A | 27   |
| 0750 117 232 | <b>137.150</b> | RVI          | 015A | 22   | 0750 117 678 | <b>130.304</b> | IVE          | 013A | 61   | 0750 118 012 | 137.155  | MB           | 002A | 29   |
| 0750 117 232 | <b>137.150</b> | RVI          | 016A | 26   | 0750 117 678 | <b>130.304</b> | RVI          | 016A | 61   | 0750 118 012 | 137.155  | DAF          | 019A | 29   |
| 0750 117 232 | <b>137.150</b> | RVI          | 017A | 26   | 0750 117 678 | <b>130.304</b> | RVI          | 017A | 61   | 0750 118 012 | 137.155  | DAF          | 020A | 29   |
| 0750 117 232 | <b>137.150</b> | DAF          | 021A | 22   | 0750 117 678 | <b>130.304</b> | DAF          | 021A | 55   | 0750 118 017 |          | MB           | 001A | 25   |
| 0750 117 232 | <b>137.150</b> | DAF          | 022A | 26   | 0750 117 678 | <b>130.304</b> | DAF          | 022A | 61   | 0750 118 017 |          | MAN          | 004A | 25   |
| 0750 117 232 | <b>137.150</b> | DAF          | 023A | 26   | 0750 117 678 | <b>130.304</b> | DAF          | 023A | 61   | 0750 118 030 | See      | 0750 118 220 |      |      |
| 0750 117 233 |                | MB           | 003A | 55   | 0750 117 732 | <b>130.518</b> | MAN          | 007A | 19   | 0750 118 038 | 137.113  | MB           | 001A | 23   |
| 0750 117 233 |                | MAN          | 006A | 55   | 0750 117 732 | <b>130.518</b> | MAN          | 008A | 16   | 0750 118 038 | 137.113  | MB           | 002A | 27   |
| 0750 117 233 |                | IVE          | 011A | 55   | 0750 117 732 | <b>130.518</b> | IVE          | 012A | 19   | 0750 118 038 | 137.113  | MAN          | 004A | 23   |
| 0750 117 233 |                | DAF          | 021A | 55   | 0750 117 732 | <b>130.518</b> | IVE          | 013A | 16   | 0750 118 038 | 137.113  | MAN          | 005A | 27   |
| 0750 117 402 | See            | 0750 117 678 |      |      | 0750 117 732 | <b>130.518</b> | RVI          | 016A | 19   | 0750 118 038 | 137.113  | IVE          | 009A | 27   |
| 0750 117 403 | See            | 0750 117 677 |      |      | 0750 117 732 | <b>130.518</b> | RVI          | 017A | 16   | 0750 118 038 | 137.113  | IVE          | 010A | 27   |
| 0750 117 431 | <b>130.306</b> | MB           | 003A | 6    | 0750 117 732 | <b>130.518</b> | DAF          | 022A | 19   | 0750 118 038 | 137.113  | DAF          | 018A | 23   |
| 0750 117 431 | <b>130.306</b> | MAN          | 006A | 6    | 0750 117 732 | <b>130.518</b> | DAF          | 023A | 16   | 0750 118 038 | 137.113  | DAF          | 019A | 27   |
| 0750 117 431 | <b>130.306</b> | MAN          | 007A | 15   | 0750 118 004 | See            | 0750 118 131 |      |      | 0750 118 038 | 137.113  | DAF          | 020A | 27   |
| 0750 117 431 | <b>130.306</b> | IVE          | 011A | 6    | 0750 118 005 | 137.083        | MB           | 001A | 25   | 0750 118 038 | 137.113  | VOL          | 024A | 27   |
| 0750 117 431 | <b>130.306</b> | IVE          | 012A | 15   | 0750 118 005 | 137.083        | MB           | 002A | 29   | 0750 118 038 | 137.113  | VOL          | 025A | 27   |
| 0750 117 431 | <b>130.306</b> | RVI          | 015A | 6    | 0750 118 005 | 137.083        | MAN          | 004A | 25   | 0750 118 067 | See      | 0750 118 153 |      |      |
| 0750 117 431 | <b>130.306</b> | RVI          | 016A | 15   | 0750 118 005 | 137.083        | MAN          | 005A | 29   | 0750 118 126 | See      | 0750 118 131 |      |      |
| 0750 117 431 | <b>130.306</b> | DAF          | 021A | 6    | 0750 118 005 | 137.083        | IVE          | 009A | 29   | 0750 118 130 | See      | 0750 118 131 |      |      |
| 0750 117 431 | <b>130.306</b> | DAF          | 022A | 15   | 0750 118 005 | 137.083        | RVI          | 014A | 29   | 0750 118 131 | 130.305  | MB           | 001A | 59   |
| 0750 117 651 |                | MB           | 002A | 20   | 0750 118 005 | 137.083        | DAF          | 018A | 25   | 0750 118 131 | 130.305  | MB           | 002A | 6    |

## Date

03 / 2006

## Table

## Index

All original equipment manufacturers numbers, symbols, pictures, models and description used in this catalogue are for reference only, and it is not implied that any part listed is the product of these manufactures.  
Tutti i nostri particolari non sono originali ma con essi intercambiabili. I riferimenti originali, le figure, i modelli sono esposti a semplice titolo indicativo. La nostra produzione riporta il nostro marchio.

| Ref. ZF      | Ref. CEI | OEM Tav.     | Fig.    | Ref. ZF      | Ref. CEI       | OEM Tav.     | Fig.    | Ref. ZF      | Ref. CEI       | OEM Tav. | Fig.    |
|--------------|----------|--------------|---------|--------------|----------------|--------------|---------|--------------|----------------|----------|---------|
| 0750 118 131 | 130.305  | MAN          | 004A 59 | 0750 118 181 |                | MB           | 001A 48 | 0750 119 109 | <b>171.045</b> | VOL      | 025B 7  |
| 0750 118 131 | 130.305  | MAN          | 005A 6  | 0750 118 191 | See            | 0750 118 258 |         | 0750 119 116 | <b>171.062</b> | MB       | 002B 7  |
| 0750 118 131 | 130.305  | IVE          | 009A 6  | 0750 118 198 | <b>137.156</b> | MAN          | 006A 24 | 0750 119 116 | <b>171.062</b> | MB       | 003B 7  |
| 0750 118 131 | 130.305  | IVE          | 010A 6  | 0750 118 198 | <b>137.156</b> | MAN          | 007A 30 | 0750 119 116 | <b>171.062</b> | MB       | 003B 7  |
| 0750 118 131 | 130.305  | RVI          | 014A 6  | 0750 118 198 | <b>137.156</b> | IVE          | 011A 24 | 0750 119 116 | <b>171.062</b> | MAN      | 005B 7  |
| 0750 118 131 | 130.305  | DAF          | 018A 59 | 0750 118 198 | <b>137.156</b> | IVE          | 012A 30 | 0750 119 116 | <b>171.062</b> | MAN      | 006B 7  |
| 0750 118 131 | 130.305  | DAF          | 019A 6  | 0750 118 198 | <b>137.156</b> | RVI          | 015A 24 | 0750 119 116 | <b>171.062</b> | MAN      | 006B 7  |
| 0750 118 131 | 130.305  | DAF          | 020A 6  | 0750 118 198 | <b>137.156</b> | RVI          | 016A 30 | 0750 119 116 | <b>171.062</b> | MAN      | 007B 7  |
| 0750 118 131 | 130.305  | VOL          | 024A 6  | 0750 118 198 | <b>137.156</b> | DAF          | 021A 24 | 0750 119 116 | <b>171.062</b> | MAN      | 008B 7  |
| 0750 118 131 | 130.305  | VOL          | 025A 6  | 0750 118 198 | <b>137.156</b> | DAF          | 022A 30 | 0750 119 116 | <b>171.062</b> | IVE      | 009B 7  |
| 0750 118 136 | See      | 0750 118 180 |         | 0750 118 220 | 137.157        | MB           | 002A 29 | 0750 119 116 | <b>171.062</b> | IVE      | 010B 7  |
| 0750 118 137 |          | MB           | 001A 48 | 0750 118 220 | 137.157        | MAN          | 005A 29 | 0750 119 116 | <b>171.062</b> | IVE      | 011B 7  |
| 0750 118 137 |          | MB           | 002A 56 | 0750 118 220 | 137.157        | IVE          | 009A 29 | 0750 119 116 | <b>171.062</b> | IVE      | 011B 7  |
| 0750 118 137 |          | MAN          | 004A 48 | 0750 118 220 | 137.157        | IVE          | 010A 29 | 0750 119 116 | <b>171.062</b> | IVE      | 012B 7  |
| 0750 118 137 |          | MAN          | 005A 56 | 0750 118 220 | 137.157        | DAF          | 019A 29 | 0750 119 116 | <b>171.062</b> | IVE      | 013B 7  |
| 0750 118 137 |          | IVE          | 009A 56 | 0750 118 220 | 137.157        | DAF          | 020A 29 | 0750 119 116 | <b>171.062</b> | RVI      | 016B 7  |
| 0750 118 137 |          | RVI          | 014A 56 | 0750 118 220 | 137.157        | VOL          | 024A 29 | 0750 119 116 | <b>171.062</b> | RVI      | 017B 7  |
| 0750 118 137 |          | DAF          | 018A 48 | 0750 118 220 | 137.157        | VOL          | 025A 29 | 0750 119 116 | <b>171.062</b> | DAF      | 019B 7  |
| 0750 118 137 |          | DAF          | 019A 56 | 0750 118 258 |                | MB           | 003A 25 | 0750 119 116 | <b>171.062</b> | DAF      | 021B 7  |
| 0750 118 137 |          | DAF          | 020A 59 | 0750 118 258 |                | MAN          | 006A 25 | 0750 119 116 | <b>171.062</b> | DAF      | 021B 7  |
| 0750 118 137 |          | VOL          | 024A 56 | 0750 118 258 |                | MAN          | 007A 30 | 0750 119 116 | <b>171.062</b> | DAF      | 022B 7  |
| 0750 118 153 | 130.240  | MB           | 001A 48 | 0750 118 258 |                | IVE          | 011A 25 | 0750 119 116 | <b>171.062</b> | DAF      | 023B 7  |
| 0750 118 153 | 130.240  | MB           | 001A 48 | 0750 118 258 |                | IVE          | 012A 30 | 0750 119 124 | <b>117.320</b> | MAN      | 007A 29 |
| 0750 118 153 | 130.240  | MB           | 002A 56 | 0750 118 258 |                | RVI          | 016A 30 | 0750 119 124 | <b>117.320</b> | MAN      | 008A 29 |
| 0750 118 153 | 130.240  | MB           | 002A 56 | 0750 118 258 |                | DAF          | 021A 25 | 0750 119 124 | <b>117.320</b> | IVE      | 012A 29 |
| 0750 118 153 | 130.240  | MAN          | 004A 48 | 0750 118 258 |                | DAF          | 022A 30 | 0750 119 124 | <b>117.320</b> | IVE      | 013A 29 |
| 0750 118 153 | 130.240  | MAN          | 005A 56 | 0750 119 109 | <b>171.045</b> | MB           | 001B 7  | 0750 119 124 | <b>117.320</b> | RVI      | 016A 29 |
| 0750 118 153 | 130.240  | IVE          | 009A 56 | 0750 119 109 | <b>171.045</b> | MB           | 002B 7  | 0750 119 124 | <b>117.320</b> | RVI      | 017A 29 |
| 0750 118 153 | 130.240  | RVI          | 014A 56 | 0750 119 109 | <b>171.045</b> | MB           | 002B 7  | 0750 119 124 | <b>117.320</b> | DAF      | 022A 29 |
| 0750 118 153 | 130.240  | DAF          | 018A 48 | 0750 119 109 | <b>171.045</b> | MAN          | 004B 7  | 0750 119 124 | <b>117.320</b> | DAF      | 023A 29 |
| 0750 118 153 | 130.240  | DAF          | 019A 56 | 0750 119 109 | <b>171.045</b> | MAN          | 005B 7  | 0750 119 125 | <b>117.321</b> | MAN      | 007A 29 |
| 0750 118 153 | 130.240  | DAF          | 019A 56 | 0750 119 109 | <b>171.045</b> | MAN          | 005B 7  | 0750 119 125 | <b>117.321</b> | MAN      | 008A 29 |
| 0750 118 153 | 130.240  | DAF          | 020A 59 | 0750 119 109 | <b>171.045</b> | IVE          | 009B 7  | 0750 119 125 | <b>117.321</b> | IVE      | 012A 29 |
| 0750 118 153 | 130.240  | DAF          | 020A 59 | 0750 119 109 | <b>171.045</b> | IVE          | 009B 7  | 0750 119 125 | <b>117.321</b> | IVE      | 013A 29 |
| 0750 118 153 | 130.240  | VOL          | 024A 56 | 0750 119 109 | <b>171.045</b> | IVE          | 010B 7  | 0750 119 125 | <b>117.321</b> | RVI      | 016A 29 |
| 0750 118 180 | 130.703  | MB           | 002A 56 | 0750 119 109 | <b>171.045</b> | RVI          | 014B 7  | 0750 119 125 | <b>117.321</b> | RVI      | 017A 29 |
| 0750 118 180 | 130.703  | MAN          | 005A 56 | 0750 119 109 | <b>171.045</b> | DAF          | 018B 7  | 0750 119 125 | <b>117.321</b> | DAF      | 022A 29 |
| 0750 118 180 | 130.703  | IVE          | 009A 56 | 0750 119 109 | <b>171.045</b> | DAF          | 019B 7  | 0750 119 125 | <b>117.321</b> | DAF      | 023A 29 |
| 0750 118 180 | 130.703  | IVE          | 010A 59 | 0750 119 109 | <b>171.045</b> | DAF          | 019B 7  | 0750 132 032 |                | MB       | 001B 40 |
| 0750 118 180 | 130.703  | DAF          | 019A 56 | 0750 119 109 | <b>171.045</b> | DAF          | 020B 7  | 0750 132 032 |                | MB       | 002B 40 |
| 0750 118 180 | 130.703  | DAF          | 020A 59 | 0750 119 109 | <b>171.045</b> | DAF          | 020B 7  | 0750 132 032 |                | MB       | 003B 40 |
| 0750 118 180 | 130.703  | VOL          | 024A 56 | 0750 119 109 | <b>171.045</b> | VOL          | 024B 7  | 0750 132 032 |                | MAN      | 004B 40 |
| 0750 118 180 | 130.703  | VOL          | 025A 59 | 0750 119 109 | <b>171.045</b> | VOL          | 024B 7  | 0750 132 032 |                | MAN      | 005B 40 |

Date

03 / 2006

Table

Index



| Ref. ZF      | Ref. CEI       | OEM | Tav. | Fig. | Ref. ZF      | Ref. CEI       | OEM          | Tav. | Fig. | Ref. ZF      | Ref. CEI       | OEM | Tav. | Fig. |
|--------------|----------------|-----|------|------|--------------|----------------|--------------|------|------|--------------|----------------|-----|------|------|
| 0750 132 032 |                | MAN | 006B | 40   | 1240 304 278 | <b>160.116</b> | IVE          | 009A | 15   | 1268 298 938 | <b>198.339</b> | MB  | 002B | 46   |
| 0750 132 032 |                | IVE | 009B | 40   | 1240 304 278 | <b>160.116</b> | IVE          | 009B | 18   | 1268 298 938 | <b>198.339</b> | MB  | 003B | 46   |
| 0750 132 032 |                | IVE | 010B | 41   | 1240 304 278 | <b>160.116</b> | IVE          | 010A | 15   | 1268 298 938 | <b>198.339</b> | MAN | 004A | 60   |
| 0750 132 032 |                | IVE | 011B | 40   | 1240 304 278 | <b>160.116</b> | IVE          | 010B | 18   | 1268 298 938 | <b>198.339</b> | MAN | 004B | 46   |
| 0750 132 032 |                | RVI | 014B | 40   | 1240 304 278 | <b>160.116</b> | IVE          | 011B | 17   | 1268 298 938 | <b>198.339</b> | MAN | 005A | 68   |
| 0750 132 032 |                | RVI | 015B | 40   | 1240 304 278 | <b>160.116</b> | IVE          | 012B | 17   | 1268 298 938 | <b>198.339</b> | MAN | 005B | 46   |
| 0750 132 032 |                | DAF | 018B | 40   | 1240 304 278 | <b>160.116</b> | IVE          | 013B | 20   | 1268 298 938 | <b>198.339</b> | MAN | 006B | 46   |
| 0750 132 032 |                | DAF | 019B | 40   | 1240 304 278 | <b>160.116</b> | RVI          | 014A | 15   | 1268 298 938 | <b>198.339</b> | MAN | 007B | 48   |
| 0750 132 032 |                | DAF | 020B | 41   | 1240 304 278 | <b>160.116</b> | RVI          | 014B | 18   | 1268 298 938 | <b>198.339</b> | MAN | 008B | 50   |
| 0750 132 032 |                | DAF | 021B | 40   | 1240 304 278 | <b>160.116</b> | RVI          | 015B | 17   | 1268 298 938 | <b>198.339</b> | IVE | 009A | 68   |
| 0750 132 032 |                | VOL | 024B | 40   | 1240 304 278 | <b>160.116</b> | RVI          | 016B | 17   | 1268 298 938 | <b>198.339</b> | IVE | 009B | 46   |
| 0750 132 032 |                | VOL | 025B | 41   | 1240 304 278 | <b>160.116</b> | RVI          | 017B | 20   | 1268 298 938 | <b>198.339</b> | IVE | 010A | 70   |
| 0750 132 033 |                | MB  | 001B | 40   | 1240 304 278 | <b>160.116</b> | DAF          | 018A | 17   | 1268 298 938 | <b>198.339</b> | IVE | 010B | 47   |
| 0750 132 033 |                | MB  | 002B | 40   | 1240 304 278 | <b>160.116</b> | DAF          | 018B | 18   | 1268 298 938 | <b>198.339</b> | IVE | 011B | 46   |
| 0750 132 033 |                | MB  | 003B | 40   | 1240 304 278 | <b>160.116</b> | DAF          | 019A | 15   | 1268 298 938 | <b>198.339</b> | IVE | 012B | 48   |
| 0750 132 033 |                | MAN | 004B | 40   | 1240 304 278 | <b>160.116</b> | DAF          | 019B | 18   | 1268 298 938 | <b>198.339</b> | IVE | 013B | 50   |
| 0750 132 033 |                | MAN | 005B | 40   | 1240 304 278 | <b>160.116</b> | DAF          | 020A | 15   | 1268 298 938 | <b>198.339</b> | RVI | 014A | 68   |
| 0750 132 033 |                | MAN | 006B | 40   | 1240 304 278 | <b>160.116</b> | DAF          | 020B | 18   | 1268 298 938 | <b>198.339</b> | RVI | 014B | 46   |
| 0750 132 033 |                | IVE | 009B | 40   | 1240 304 278 | <b>160.116</b> | DAF          | 021B | 17   | 1268 298 938 | <b>198.339</b> | RVI | 015B | 46   |
| 0750 132 033 |                | IVE | 010B | 41   | 1240 304 278 | <b>160.116</b> | DAF          | 022B | 17   | 1268 298 938 | <b>198.339</b> | RVI | 016B | 48   |
| 0750 132 033 |                | IVE | 011B | 40   | 1240 304 278 | <b>160.116</b> | DAF          | 023B | 20   | 1268 298 938 | <b>198.339</b> | RVI | 017B | 50   |
| 0750 132 033 |                | RVI | 014B | 40   | 1240 304 278 | <b>160.116</b> | VOL          | 024A | 15   | 1268 298 938 | <b>198.339</b> | DAF | 018A | 60   |
| 0750 132 033 |                | RVI | 015B | 40   | 1240 304 278 | <b>160.116</b> | VOL          | 024B | 18   | 1268 298 938 | <b>198.339</b> | DAF | 018B | 46   |
| 0750 132 033 |                | DAF | 018B | 40   | 1240 304 278 | <b>160.116</b> | VOL          | 025A | 15   | 1268 298 938 | <b>198.339</b> | DAF | 019A | 68   |
| 0750 132 033 |                | DAF | 019B | 40   | 1240 304 278 | <b>160.116</b> | VOL          | 025B | 18   | 1268 298 938 | <b>198.339</b> | DAF | 019B | 46   |
| 0750 132 033 |                | DAF | 020B | 41   | 1246 304 278 | <b>119.086</b> | MB           | 002A | 41   | 1268 298 938 | <b>198.339</b> | DAF | 020A | 70   |
| 0750 132 033 |                | DAF | 021B | 40   | 1246 304 278 | <b>119.086</b> | MAN          | 005A | 41   | 1268 298 938 | <b>198.339</b> | DAF | 020B | 47   |
| 0750 132 033 |                | VOL | 024B | 40   | 1246 304 278 | <b>119.086</b> | IVE          | 009A | 41   | 1268 298 938 | <b>198.339</b> | DAF | 021B | 46   |
| 0750 132 033 |                | VOL | 025B | 41   | 1246 304 278 | <b>119.086</b> | RVI          | 014A | 41   | 1268 298 938 | <b>198.339</b> | DAF | 022B | 48   |
| 0750 190 012 |                | MB  | 001A | 3    | 1246 304 278 | <b>119.086</b> | DAF          | 019A | 41   | 1268 298 938 | <b>198.339</b> | DAF | 023B | 50   |
| 0750 190 012 |                | MAN | 004A | 3    | 1246 304 278 | <b>119.086</b> | VOL          | 024A | 41   | 1268 298 938 | <b>198.339</b> | VOL | 024A | 68   |
| 1240 304 278 | <b>160.116</b> | MB  | 001A | 17   | 1250 304 160 | See            | 1257 304 020 |      |      | 1268 298 938 | <b>198.339</b> | VOL | 024B | 46   |
| 1240 304 278 | <b>160.116</b> | MB  | 001B | 18   | 1257 304 020 | <b>154.051</b> | MB           | 002A | 43   | 1268 298 938 | <b>198.339</b> | VOL | 025A | 70   |
| 1240 304 278 | <b>160.116</b> | MB  | 002A | 15   | 1257 304 020 | <b>154.051</b> | MAN          | 005A | 43   | 1268 298 938 | <b>198.339</b> | VOL | 025B | 47   |
| 1240 304 278 | <b>160.116</b> | MB  | 002B | 18   | 1257 304 020 | <b>154.051</b> | IVE          | 009A | 43   | 1268 303 062 |                | MB  | 001A | 4    |
| 1240 304 278 | <b>160.116</b> | MB  | 003B | 17   | 1257 304 020 | <b>154.051</b> | RVI          | 014A | 43   | 1268 303 062 |                | MAN | 004A | 4    |
| 1240 304 278 | <b>160.116</b> | MAN | 004A | 17   | 1257 304 020 | <b>154.051</b> | DAF          | 019A | 43   | 1268 304 424 | <b>119.152</b> | MB  | 003A | 42   |
| 1240 304 278 | <b>160.116</b> | MAN | 004B | 18   | 1257 304 020 | <b>154.051</b> | VOL          | 024A | 43   | 1268 304 424 | <b>119.152</b> | MAN | 006A | 42   |
| 1240 304 278 | <b>160.116</b> | MAN | 005A | 15   | 1268 203 059 |                | MB           | 001A | 6    | 1268 304 424 | <b>119.152</b> | MAN | 007A | 44   |
| 1240 304 278 | <b>160.116</b> | MAN | 005B | 18   | 1268 203 059 |                | MAN          | 004A | 6    | 1268 304 424 | <b>119.152</b> | MAN | 008A | 44   |
| 1240 304 278 | <b>160.116</b> | MAN | 006B | 17   | 1268 298 938 | <b>198.339</b> | MB           | 001A | 60   | 1268 304 424 | <b>119.152</b> | IVE | 011A | 42   |
| 1240 304 278 | <b>160.116</b> | MAN | 007B | 17   | 1268 298 938 | <b>198.339</b> | MB           | 001B | 46   | 1268 304 424 | <b>119.152</b> | IVE | 012A | 44   |
| 1240 304 278 | <b>160.116</b> | MAN | 008B | 20   | 1268 298 938 | <b>198.339</b> | MB           | 002A | 68   | 1268 304 424 | <b>119.152</b> | IVE | 013A | 44   |

Date

03 / 2006

Table

Index

| Ref. ZF      | Ref. CEI       | OEM Tav.     | Fig.    | Ref. ZF      | Ref. CEI       | OEM Tav. | Fig.    | Ref. ZF      | Ref. CEI       | OEM Tav.     | Fig.    |
|--------------|----------------|--------------|---------|--------------|----------------|----------|---------|--------------|----------------|--------------|---------|
| 1268 304 424 | <b>119.152</b> | RVI          | 016A 44 | 1269 332 036 | 107.089        | MB       | 001B 2  | 1295 202 036 | 190.168        | IVE          | 009A 19 |
| 1268 304 424 | <b>119.152</b> | RVI          | 017A 44 | 1269 332 036 | 107.089        | MB       | 002B 2  | 1295 202 039 | 102.254        | MAN          | 004A 15 |
| 1268 304 424 | <b>119.152</b> | DAF          | 021A 42 | 1269 332 036 | 107.089        | MB       | 002B 2  | 1295 202 039 | 102.254        | MAN          | 005A 11 |
| 1268 304 424 | <b>119.152</b> | DAF          | 022A 44 | 1269 332 036 | 107.089        | MAN      | 004B 2  | 1295 202 041 | <b>280.348</b> | MB           | 001A 8  |
| 1268 304 424 | <b>119.152</b> | DAF          | 023A 44 | 1269 332 036 | 107.089        | MAN      | 005B 2  | 1295 202 041 | <b>280.348</b> | MB           | 002A 3  |
| 1268 304 476 | See            | 1312 304 159 |         | 1269 332 036 | 107.089        | IVE      | 009B 2  | 1295 202 041 | <b>280.348</b> | MB           | 003A 3  |
| 1268 304 491 | See            | 1268 304 494 |         | 1269 332 036 | 107.089        | RVI      | 014B 2  | 1295 202 041 | <b>280.348</b> | MAN          | 004A 8  |
| 1268 304 494 | <b>119.153</b> | MB           | 003A 43 | 1269 332 036 | 107.089        | DAF      | 019B 2  | 1295 202 041 | <b>280.348</b> | MAN          | 005A 3  |
| 1268 304 494 | <b>119.153</b> | MAN          | 006A 43 | 1269 332 036 | 107.089        | DAF      | 019B 2  | 1295 202 041 | <b>280.348</b> | MAN          | 006A 3  |
| 1268 304 494 | <b>119.153</b> | MAN          | 007A 45 | 1269 332 036 | 107.089        | DAF      | 020B 2  | 1295 202 041 | <b>280.348</b> | IVE          | 009A 3  |
| 1268 304 494 | <b>119.153</b> | MAN          | 008A 45 | 1269 332 036 | 107.089        | DAF      | 020B 2  | 1295 202 041 | <b>280.348</b> | IVE          | 010A 3  |
| 1268 304 494 | <b>119.153</b> | IVE          | 011A 43 | 1269 332 036 | 107.089        | VOL      | 024B 2  | 1295 202 041 | <b>280.348</b> | IVE          | 011A 3  |
| 1268 304 494 | <b>119.153</b> | IVE          | 012A 45 | 1272 304 021 | 188.076        | MB       | 001A 46 | 1295 202 041 | <b>280.348</b> | RVI          | 014A 3  |
| 1268 304 494 | <b>119.153</b> | IVE          | 013A 45 | 1272 304 021 | 188.076        | MB       | 002A 53 | 1295 202 041 | <b>280.348</b> | RVI          | 015A 3  |
| 1268 304 494 | <b>119.153</b> | RVI          | 016A 45 | 1272 304 021 | 188.076        | MAN      | 004A 46 | 1295 202 041 | <b>280.348</b> | DAF          | 018A 8  |
| 1268 304 494 | <b>119.153</b> | RVI          | 017A 45 | 1272 304 021 | 188.076        | MAN      | 005A 53 | 1295 202 041 | <b>280.348</b> | DAF          | 019A 3  |
| 1268 304 494 | <b>119.153</b> | DAF          | 021A 43 | 1272 304 021 | 188.076        | IVE      | 009A 53 | 1295 202 041 | <b>280.348</b> | DAF          | 020A 3  |
| 1268 304 494 | <b>119.153</b> | DAF          | 022A 45 | 1272 304 021 | 188.076        | IVE      | 010A 56 | 1295 202 041 | <b>280.348</b> | DAF          | 021A 3  |
| 1268 304 494 | <b>119.153</b> | DAF          | 023A 45 | 1272 304 021 | 188.076        | RVI      | 014A 53 | 1295 202 041 | <b>280.348</b> | VOL          | 024A 3  |
| 1268 304 510 | See            | 1297 304 436 |         | 1272 304 021 | 188.076        | DAF      | 018A 46 | 1295 202 041 | <b>280.348</b> | VOL          | 025A 3  |
| 1268 304 525 | <b>119.144</b> | MB           | 003A 44 | 1272 304 021 | 188.076        | DAF      | 019A 53 | 1295 202 052 |                | DAF          | 020A 11 |
| 1268 304 525 | <b>119.144</b> | MAN          | 006A 44 | 1272 304 021 | 188.076        | DAF      | 020A 56 | 1295 202 054 | See            | 1295 202 041 |         |
| 1268 304 525 | <b>119.144</b> | MAN          | 007A 46 | 1272 304 021 | 188.076        | VOL      | 024A 53 | 1295 206 047 | See            | 1295 206 213 |         |
| 1268 304 525 | <b>119.144</b> | MAN          | 008A 46 | 1272 304 021 | 188.076        | VOL      | 025A 56 | 1295 206 053 | See            | 1295 206 255 |         |
| 1268 304 525 | <b>119.144</b> | IVE          | 011A 44 | 1286 304 026 | 155.135        | MB       | 002A 23 | 1295 206 059 |                | MAN          | 005B 32 |
| 1268 304 525 | <b>119.144</b> | IVE          | 012A 46 | 1286 304 026 | 155.135        | MAN      | 005A 23 | 1295 206 065 | See            | 1295 206 213 |         |
| 1268 304 525 | <b>119.144</b> | IVE          | 013A 46 | 1286 304 026 | 155.135        | IVE      | 009A 23 | 1295 206 182 |                | MB           | 001B 31 |
| 1268 304 525 | <b>119.144</b> | RVI          | 016A 46 | 1286 304 026 | 155.135        | IVE      | 010A 23 | 1295 206 182 |                | MAN          | 004B 31 |
| 1268 304 525 | <b>119.144</b> | RVI          | 017A 46 | 1295 202 004 | 102.230        | MB       | 001A 15 | 1295 206 184 |                | MB           | 001B 30 |
| 1268 304 525 | <b>119.144</b> | DAF          | 021A 44 | 1295 202 004 | 102.230        | MB       | 002A 11 | 1295 206 184 |                | MAN          | 004B 30 |
| 1268 304 525 | <b>119.144</b> | DAF          | 022A 46 | 1295 202 004 | 102.230        | MAN      | 005A 11 | 1295 206 188 |                | MB           | 001B 31 |
| 1268 304 525 | <b>119.144</b> | DAF          | 023A 46 | 1295 202 004 | 102.230        | IVE      | 009A 11 | 1295 206 188 |                | MAN          | 004B 31 |
| 1268 304 570 |                | DAF          | 020A 45 | 1295 202 004 | 102.230        | DAF      | 019A 11 | 1295 206 189 |                | MB           | 001B 30 |
| 1269 202 087 | See            | 1295 202 041 |         | 1295 202 005 | 102.250        | DAF      | 019A 11 | 1295 206 189 |                | MAN          | 004B 30 |
| 1269 302 065 | 188.078        | MB           | 002A 24 | 1295 202 005 | 102.250        | DAF      | 020A 11 | 1295 206 201 | See            | 1295 206 255 |         |
| 1269 302 065 | 188.078        | MAN          | 005A 24 | 1295 202 007 | 102.232        | MAN      | 004A 15 | 1295 206 212 |                | MB           | 002B 30 |
| 1269 302 065 | 188.078        | IVE          | 009A 24 | 1295 202 007 | 102.232        | MAN      | 005A 11 | 1295 206 212 |                | MAN          | 005B 30 |
| 1269 302 065 | 188.078        | IVE          | 010A 24 | 1295 202 008 | 102.251        | VOL      | 024A 11 | 1295 206 212 |                | IVE          | 009B 30 |
| 1269 302 164 |                | MB           | 002A 26 | 1295 202 011 | 102.252        | DAF      | 019A 11 | 1295 206 212 |                | RVI          | 014B 30 |
| 1269 302 164 |                | MAN          | 005A 26 | 1295 202 012 | 102.253        | IVE      | 009A 11 | 1295 206 212 |                | DAF          | 019B 30 |
| 1269 302 164 |                | IVE          | 009A 26 | 1295 202 019 |                | MB       | 002A 11 | 1295 206 212 |                | DAF          | 020B 30 |
| 1269 302 164 |                | IVE          | 010A 26 | 1295 202 025 |                | IVE      | 009A 11 | 1295 206 212 |                | VOL          | 024B 30 |
| 1269 332 025 | See            | 1269 332 036 |         | 1295 202 028 | <b>102.221</b> | MB       | 002A 11 | 1295 206 213 | 198.362        | MB           | 002B 30 |

Date

03 / 2006

Table

Index

| Ref. ZF      | Ref. CEI | OEM          | Tav. | Fig. | Ref. ZF      | Ref. CEI | OEM | Tav. | Fig. | Ref. ZF      | Ref. CEI | OEM          | Tav. | Fig. |
|--------------|----------|--------------|------|------|--------------|----------|-----|------|------|--------------|----------|--------------|------|------|
| 1295 206 213 | 198.362  | MAN          | 005B | 30   | 1295 206 249 |          | VOL | 024B | 32   | 1295 221 003 |          | MB           | 002A | 11   |
| 1295 206 213 | 198.362  | IVE          | 009B | 30   | 1295 206 250 |          | MB  | 002B | 32   | 1295 221 003 |          | IVE          | 009A | 11   |
| 1295 206 213 | 198.362  | RVI          | 014B | 30   | 1295 206 250 |          | MAN | 005B | 32   | 1295 221 003 |          | RVI          | 014A | 11   |
| 1295 206 213 | 198.362  | DAF          | 019B | 30   | 1295 206 250 |          | IVE | 009B | 32   | 1295 221 003 |          | DAF          | 020A | 11   |
| 1295 206 213 | 198.362  | VOL          | 024B | 30   | 1295 206 250 |          | RVI | 014B | 32   | 1295 232 027 | 198.357  | MB           | 001B | 8    |
| 1295 206 214 |          | MB           | 002B | 31   | 1295 206 250 |          | DAF | 019B | 32   | 1295 232 027 | 198.357  | MB           | 002B | 8    |
| 1295 206 214 |          | MAN          | 005B | 31   | 1295 206 250 |          | VOL | 024B | 32   | 1295 232 027 | 198.357  | MAN          | 004B | 8    |
| 1295 206 214 |          | IVE          | 009B | 31   | 1295 206 252 |          | MB  | 001B | 32   | 1295 232 027 | 198.357  | MAN          | 005B | 8    |
| 1295 206 214 |          | RVI          | 014B | 31   | 1295 206 252 |          | MAN | 004B | 32   | 1295 232 027 | 198.357  | IVE          | 009B | 8    |
| 1295 206 214 |          | DAF          | 019B | 31   | 1295 206 253 |          | MB  | 001B | 32   | 1295 232 027 | 198.357  | RVI          | 014B | 8    |
| 1295 206 214 |          | VOL          | 024B | 31   | 1295 206 253 |          | MAN | 004B | 32   | 1295 232 027 | 198.357  | DAF          | 019B | 8    |
| 1295 206 215 |          | MB           | 002B | 31   | 1295 206 254 |          | MB  | 002B | 32   | 1295 232 027 | 198.357  | DAF          | 019B | 8    |
| 1295 206 215 |          | MAN          | 005B | 31   | 1295 206 254 |          | MAN | 005B | 32   | 1295 232 027 | 198.357  | DAF          | 020B | 8    |
| 1295 206 215 |          | IVE          | 009B | 31   | 1295 206 254 |          | IVE | 009B | 32   | 1295 232 027 | 198.357  | DAF          | 020B | 8    |
| 1295 206 215 |          | RVI          | 014B | 31   | 1295 206 254 |          | RVI | 014B | 32   | 1295 232 027 | 198.357  | DAF          | 020B | 8    |
| 1295 206 215 |          | DAF          | 019B | 31   | 1295 206 254 |          | DAF | 019B | 32   | 1295 232 027 | 198.357  | VOL          | 024B | 8    |
| 1295 206 215 |          | DAF          | 020B | 31   | 1295 206 254 |          | DAF | 020B | 32   | 1295 232 028 | See      | 1295 232 044 |      |      |
| 1295 206 215 |          | VOL          | 024B | 31   | 1295 206 254 |          | VOL | 024B | 32   | 1295 232 032 | See      | 1295 232 027 |      |      |
| 1295 206 217 |          | MB           | 002B | 31   | 1295 206 255 | 198.360  | MB  | 002B | 32   | 1295 232 038 | 198.437  | MB           | 001B | 8    |
| 1295 206 217 |          | MAN          | 005B | 31   | 1295 206 255 | 198.360  | MAN | 005B | 32   | 1295 232 038 | 198.437  | MAN          | 004B | 8    |
| 1295 206 217 |          | IVE          | 009B | 31   | 1295 206 255 | 198.360  | IVE | 009B | 32   | 1295 232 044 | 190.169  | MB           | 001B | 1    |
| 1295 206 217 |          | RVI          | 014B | 31   | 1295 206 255 | 198.360  | RVI | 014B | 32   | 1295 232 044 | 190.169  | MB           | 002B | 1    |
| 1295 206 217 |          | DAF          | 019B | 31   | 1295 206 255 | 198.360  | DAF | 019B | 32   | 1295 232 044 | 190.169  | MB           | 002B | 1    |
| 1295 206 217 |          | DAF          | 020B | 31   | 1295 206 255 | 198.360  | VOL | 024B | 32   | 1295 232 044 | 190.169  | MAN          | 004B | 1    |
| 1295 206 217 |          | VOL          | 024B | 31   | 1295 212 008 | 280.350  | MB  | 001B | 40   | 1295 232 044 | 190.169  | MAN          | 005B | 1    |
| 1295 206 219 |          | MB           | 002B | 30   | 1295 212 008 | 280.350  | MB  | 002B | 40   | 1295 232 044 | 190.169  | IVE          | 009B | 1    |
| 1295 206 219 |          | MAN          | 005B | 30   | 1295 212 008 | 280.350  | MAN | 004B | 40   | 1295 232 044 | 190.169  | RVI          | 014B | 1    |
| 1295 206 219 |          | RVI          | 014B | 30   | 1295 212 008 | 280.350  | MAN | 005B | 40   | 1295 232 044 | 190.169  | DAF          | 019B | 1    |
| 1295 206 219 |          | DAF          | 019B | 30   | 1295 212 008 | 280.350  | IVE | 009B | 40   | 1295 232 044 | 190.169  | DAF          | 019B | 1    |
| 1295 206 219 |          | VOL          | 024B | 30   | 1295 212 008 | 280.350  | RVI | 014B | 40   | 1295 232 044 | 190.169  | DAF          | 020B | 1    |
| 1295 206 223 |          | MB           | 002B | 31   | 1295 212 008 | 280.350  | DAF | 018B | 40   | 1295 232 044 | 190.169  | DAF          | 020B | 1    |
| 1295 206 223 |          | MAN          | 005B | 31   | 1295 212 008 | 280.350  | DAF | 019B | 40   | 1295 232 044 | 190.169  | VOL          | 024B | 1    |
| 1295 206 223 |          | IVE          | 009B | 31   | 1295 212 008 | 280.350  | VOL | 024B | 40   | 1295 232 045 |          | MB           | 001B | 1    |
| 1295 206 223 |          | RVI          | 014B | 31   | 1295 212 009 |          | MB  | 002B | 40   | 1295 232 045 |          | MAN          | 004B | 1    |
| 1295 206 223 |          | DAF          | 019B | 31   | 1295 212 009 |          | MAN | 005B | 40   | 1295 232 048 | See      | 1295 232 044 |      |      |
| 1295 206 223 |          | VOL          | 024B | 31   | 1295 212 009 |          | IVE | 009B | 40   | 1295 233 018 | See      | 1295 233 025 |      |      |
| 1295 206 244 | See      | 1295 206 255 |      |      | 1295 212 009 |          | DAF | 019B | 40   | 1295 233 024 | See      | 1295 233 025 |      |      |
| 1295 206 249 |          | MB           | 002B | 32   | 1295 212 009 |          | VOL | 024B | 40   | 1295 233 025 | 198.359  | MB           | 001B | 22   |
| 1295 206 249 |          | MAN          | 005B | 32   | 1295 221 001 |          | MB  | 001A | 15   | 1295 233 025 | 198.359  | MB           | 002B | 22   |
| 1295 206 249 |          | IVE          | 009B | 32   | 1295 221 001 |          | MB  | 002A | 11   | 1295 233 025 | 198.359  | MB           | 002B | 22   |
| 1295 206 249 |          | RVI          | 014B | 32   | 1295 221 001 |          | MAN | 004A | 15   | 1295 233 025 | 198.359  | MAN          | 004B | 22   |
| 1295 206 249 |          | DAF          | 019B | 32   | 1295 221 001 |          | MAN | 005A | 11   | 1295 233 025 | 198.359  | MAN          | 005B | 22   |
| 1295 206 249 |          | DAF          | 020B | 32   | 1295 221 001 |          | DAF | 019A | 11   | 1295 233 025 | 198.359  | IVE          | 009B | 22   |

## Date

03 / 2006

## Table

## Index

| Ref. ZF      | Ref. CEI       | OEM Tav.     | Fig.    | Ref. ZF      | Ref. CEI       | OEM Tav.     | Fig.    | Ref. ZF      | Ref. CEI       | OEM Tav.     | Fig.    |
|--------------|----------------|--------------|---------|--------------|----------------|--------------|---------|--------------|----------------|--------------|---------|
| 1295 233 025 | <b>198.359</b> | RVI          | 014B 22 | 1295 298 917 | See            | 1295 298 960 |         | 1295 298 960 | <b>198.428</b> | IVE          | 009B 50 |
| 1295 233 025 | <b>198.359</b> | DAF          | 019B 22 | 1295 298 933 | <b>198.842</b> | MB           | 001A 62 | 1295 298 960 | <b>198.428</b> | IVE          | 010A 74 |
| 1295 233 025 | <b>198.359</b> | DAF          | 019B 22 | 1295 298 933 | <b>198.842</b> | MB           | 001B 48 | 1295 298 960 | <b>198.428</b> | IVE          | 010B 50 |
| 1295 233 025 | <b>198.359</b> | DAF          | 020B 22 | 1295 298 933 | <b>198.842</b> | MB           | 002A 70 | 1295 298 960 | <b>198.428</b> | RVI          | 014A 71 |
| 1295 233 025 | <b>198.359</b> | DAF          | 020B 22 | 1295 298 933 | <b>198.842</b> | MB           | 002B 48 | 1295 298 960 | <b>198.428</b> | RVI          | 014B 50 |
| 1295 233 025 | <b>198.359</b> | VOL          | 024B 22 | 1295 298 933 | <b>198.842</b> | MB           | 003B 48 | 1295 298 960 | <b>198.428</b> | DAF          | 019A 71 |
| 1295 234 031 | See            | 1312 234 002 |         | 1295 298 933 | <b>198.842</b> | MAN          | 004A 62 | 1295 298 960 | <b>198.428</b> | DAF          | 019B 50 |
| 1295 238 003 |                | MB           | 002B 27 | 1295 298 933 | <b>198.842</b> | MAN          | 004B 48 | 1295 298 960 | <b>198.428</b> | DAF          | 020A 74 |
| 1295 238 003 |                | MB           | 002B 27 | 1295 298 933 | <b>198.842</b> | MAN          | 005A 70 | 1295 298 960 | <b>198.428</b> | DAF          | 020B 50 |
| 1295 238 003 |                | MAN          | 005B 27 | 1295 298 933 | <b>198.842</b> | MAN          | 005B 48 | 1295 298 960 | <b>198.428</b> | VOL          | 024A 71 |
| 1295 238 003 |                | IVE          | 009B 27 | 1295 298 933 | <b>198.842</b> | MAN          | 006B 48 | 1295 298 960 | <b>198.428</b> | VOL          | 024B 50 |
| 1295 238 003 |                | RVI          | 014B 27 | 1295 298 933 | <b>198.842</b> | MAN          | 007B 50 | 1295 298 960 | <b>198.428</b> | VOL          | 025A 74 |
| 1295 238 003 |                | DAF          | 019B 27 | 1295 298 933 | <b>198.842</b> | MAN          | 008B 52 | 1295 298 960 | <b>198.428</b> | VOL          | 025B 50 |
| 1295 238 003 |                | DAF          | 019B 27 | 1295 298 933 | <b>198.842</b> | IVE          | 009A 70 | 1295 302 070 | 145.489        | MB           | 001A 12 |
| 1295 238 003 |                | VOL          | 024B 27 | 1295 298 933 | <b>198.842</b> | IVE          | 009B 48 | 1295 302 070 | 145.489        | MB           | 002A 8  |
| 1295 298 915 | <b>198.427</b> | MB           | 002A 72 | 1295 298 933 | <b>198.842</b> | IVE          | 010A 72 | 1295 302 070 | 145.489        | MAN          | 004A 12 |
| 1295 298 915 | <b>198.427</b> | MB           | 002B 51 | 1295 298 933 | <b>198.842</b> | IVE          | 010B 49 | 1295 302 070 | 145.489        | MAN          | 005A 8  |
| 1295 298 915 | <b>198.427</b> | MB           | 003A 69 | 1295 298 933 | <b>198.842</b> | IVE          | 011B 48 | 1295 302 070 | 145.489        | IVE          | 009A 8  |
| 1295 298 915 | <b>198.427</b> | MB           | 003B 50 | 1295 298 933 | <b>198.842</b> | IVE          | 012B 50 | 1295 302 070 | 145.489        | RVI          | 014A 8  |
| 1295 298 915 | <b>198.427</b> | MAN          | 005A 72 | 1295 298 933 | <b>198.842</b> | IVE          | 013B 52 | 1295 302 070 | 145.489        | DAF          | 019A 8  |
| 1295 298 915 | <b>198.427</b> | MAN          | 005B 51 | 1295 298 933 | <b>198.842</b> | RVI          | 014A 70 | 1295 302 070 | 145.489        | DAF          | 020A 8  |
| 1295 298 915 | <b>198.427</b> | MAN          | 006A 69 | 1295 298 933 | <b>198.842</b> | RVI          | 014B 48 | 1295 302 070 | 145.489        | VOL          | 024A 8  |
| 1295 298 915 | <b>198.427</b> | MAN          | 006B 50 | 1295 298 933 | <b>198.842</b> | RVI          | 015B 48 | 1295 302 071 | <b>145.276</b> | MB           | 001A 12 |
| 1295 298 915 | <b>198.427</b> | IVE          | 009A 72 | 1295 298 933 | <b>198.842</b> | RVI          | 016B 50 | 1295 302 071 | <b>145.276</b> | MB           | 002A 8  |
| 1295 298 915 | <b>198.427</b> | IVE          | 009B 51 | 1295 298 933 | <b>198.842</b> | RVI          | 017B 52 | 1295 302 071 | <b>145.276</b> | MAN          | 004A 12 |
| 1295 298 915 | <b>198.427</b> | IVE          | 010A 75 | 1295 298 933 | <b>198.842</b> | DAF          | 018A 62 | 1295 302 071 | <b>145.276</b> | MAN          | 005A 8  |
| 1295 298 915 | <b>198.427</b> | IVE          | 010B 51 | 1295 298 933 | <b>198.842</b> | DAF          | 018B 48 | 1295 302 071 | <b>145.276</b> | IVE          | 009A 8  |
| 1295 298 915 | <b>198.427</b> | IVE          | 011A 69 | 1295 298 933 | <b>198.842</b> | DAF          | 019A 70 | 1295 302 071 | <b>145.276</b> | RVI          | 014A 8  |
| 1295 298 915 | <b>198.427</b> | IVE          | 011B 50 | 1295 298 933 | <b>198.842</b> | DAF          | 019B 48 | 1295 302 071 | <b>145.276</b> | DAF          | 019A 8  |
| 1295 298 915 | <b>198.427</b> | RVI          | 014A 72 | 1295 298 933 | <b>198.842</b> | DAF          | 020A 72 | 1295 302 071 | <b>145.276</b> | DAF          | 020A 8  |
| 1295 298 915 | <b>198.427</b> | RVI          | 014B 51 | 1295 298 933 | <b>198.842</b> | DAF          | 020B 49 | 1295 302 071 | <b>145.276</b> | VOL          | 024A 8  |
| 1295 298 915 | <b>198.427</b> | RVI          | 015A 69 | 1295 298 933 | <b>198.842</b> | DAF          | 021B 48 | 1295 302 074 | <b>145.408</b> | MB           | 002A 8  |
| 1295 298 915 | <b>198.427</b> | RVI          | 015B 50 | 1295 298 933 | <b>198.842</b> | DAF          | 022B 50 | 1295 302 086 | See            | 1295 202 004 |         |
| 1295 298 915 | <b>198.427</b> | DAF          | 019A 72 | 1295 298 933 | <b>198.842</b> | DAF          | 023B 52 | 1295 302 087 | See            | 1295 202 005 |         |
| 1295 298 915 | <b>198.427</b> | DAF          | 019B 51 | 1295 298 933 | <b>198.842</b> | VOL          | 024A 70 | 1295 302 122 | 145.541        | MB           | 001A 12 |
| 1295 298 915 | <b>198.427</b> | DAF          | 020A 75 | 1295 298 933 | <b>198.842</b> | VOL          | 024B 48 | 1295 302 122 | 145.541        | MB           | 002A 8  |
| 1295 298 915 | <b>198.427</b> | DAF          | 020B 51 | 1295 298 933 | <b>198.842</b> | VOL          | 025A 72 | 1295 302 122 | 145.541        | MAN          | 004A 12 |
| 1295 298 915 | <b>198.427</b> | DAF          | 021A 69 | 1295 298 933 | <b>198.842</b> | VOL          | 025B 49 | 1295 302 122 | 145.541        | MAN          | 005A 8  |
| 1295 298 915 | <b>198.427</b> | DAF          | 021B 50 | 1295 298 960 | <b>198.428</b> | MB           | 002A 71 | 1295 302 122 | 145.541        | IVE          | 009A 8  |
| 1295 298 915 | <b>198.427</b> | VOL          | 024A 72 | 1295 298 960 | <b>198.428</b> | MB           | 002B 50 | 1295 302 122 | 145.541        | RVI          | 014A 8  |
| 1295 298 915 | <b>198.427</b> | VOL          | 024B 51 | 1295 298 960 | <b>198.428</b> | MAN          | 005A 71 | 1295 302 122 | 145.541        | DAF          | 019A 8  |
| 1295 298 915 | <b>198.427</b> | VOL          | 025A 75 | 1295 298 960 | <b>198.428</b> | MAN          | 005B 50 | 1295 302 122 | 145.541        | DAF          | 020A 8  |
| 1295 298 915 | <b>198.427</b> | VOL          | 025B 51 | 1295 298 960 | <b>198.428</b> | IVE          | 009A 71 | 1295 302 122 | 145.541        | VOL          | 024A 8  |

Date

03 / 2006

Table

Index

ZF references index  
Indice riferimenti ZF

| Ref. ZF      | Ref. CEI | OEM          | Tav. | Fig. | Ref. ZF      | Ref. CEI | OEM          | Tav. | Fig. | Ref. ZF      | Ref. CEI | OEM | Tav. | Fig. |
|--------------|----------|--------------|------|------|--------------|----------|--------------|------|------|--------------|----------|-----|------|------|
| 1295 302 173 | See      | 1295 302 071 |      |      | 1295 303 036 | 146.354  | IVE          | 009A | 58   | 1295 303 071 |          | DAF | 019A | 60   |
| 1295 303 005 | 146.467  | MB           | 001A | 52   | 1295 303 036 | 146.354  | RVI          | 014A | 58   | 1295 303 071 |          | DAF | 020A | 63   |
| 1295 303 005 | 146.467  | MAN          | 004A | 52   | 1295 303 036 | 146.354  | DAF          | 019A | 58   | 1295 303 071 |          | VOL | 024A | 60   |
| 1295 303 006 | 146.468  | MB           | 001A | 52   | 1295 303 036 | 146.354  | DAF          | 020A | 61   | 1295 303 072 |          | MB  | 002A | 61   |
| 1295 303 006 | 146.468  | MAN          | 004A | 52   | 1295 303 036 | 146.354  | VOL          | 024A | 58   | 1295 303 072 |          | MAN | 005A | 61   |
| 1295 303 025 | 146.355  | MB           | 002A | 60   | 1295 303 037 | See      | 1295 303 101 |      |      | 1295 303 072 |          | IVE | 009A | 61   |
| 1295 303 025 | 146.355  | MAN          | 005A | 60   | 1295 303 042 | 105.121  | MAN          | 004A | 53   | 1295 303 072 |          | RVI | 014A | 61   |
| 1295 303 025 | 146.355  | IVE          | 009A | 60   | 1295 303 045 | 105.105  | MAN          | 005A | 61   | 1295 303 072 |          | DAF | 019A | 61   |
| 1295 303 025 | 146.355  | RVI          | 014A | 60   | 1295 303 045 | 105.105  | DAF          | 019A | 61   | 1295 303 072 |          | DAF | 020A | 64   |
| 1295 303 025 | 146.355  | DAF          | 019A | 60   | 1295 303 053 | See      | 1295 303 066 |      |      | 1295 303 072 |          | VOL | 024A | 61   |
| 1295 303 025 | 146.355  | DAF          | 020A | 63   | 1295 303 054 | See      | 1295 303 067 |      |      | 1295 303 089 |          | MB  | 001A | 53   |
| 1295 303 025 | 146.355  | VOL          | 024A | 60   | 1295 303 055 | 105.122  | MB           | 001A | 53   | 1295 303 089 |          | MAN | 004A | 53   |
| 1295 303 026 | 146.211  | MB           | 002A | 60   | 1295 303 055 | 105.122  | MAN          | 004A | 53   | 1295 303 094 | 146.461  | MB  | 001A | 51   |
| 1295 303 026 | 146.211  | MAN          | 005A | 60   | 1295 303 056 | 105.120  | MB           | 001A | 53   | 1295 303 094 | 146.461  | MB  | 002A | 59   |
| 1295 303 026 | 146.211  | IVE          | 009A | 60   | 1295 303 056 | 105.120  | MAN          | 004A | 53   | 1295 303 094 | 146.461  | MAN | 004A | 51   |
| 1295 303 026 | 146.211  | RVI          | 014A | 60   | 1295 303 060 | 146.457  | MB           | 001A | 50   | 1295 303 094 | 146.461  | MAN | 005A | 59   |
| 1295 303 026 | 146.211  | DAF          | 019A | 60   | 1295 303 060 | 146.457  | MB           | 002A | 58   | 1295 303 094 | 146.461  | IVE | 009A | 59   |
| 1295 303 026 | 146.211  | DAF          | 020A | 63   | 1295 303 060 | 146.457  | MAN          | 004A | 50   | 1295 303 094 | 146.461  | RVI | 014A | 59   |
| 1295 303 026 | 146.211  | VOL          | 024A | 60   | 1295 303 060 | 146.457  | MAN          | 005A | 58   | 1295 303 094 | 146.461  | DAF | 019A | 59   |
| 1295 303 027 | 146.209  | MB           | 001A | 51   | 1295 303 060 | 146.457  | IVE          | 009A | 58   | 1295 303 094 | 146.461  | DAF | 020A | 62   |
| 1295 303 027 | 146.209  | MB           | 002A | 59   | 1295 303 060 | 146.457  | RVI          | 014A | 58   | 1295 303 094 | 146.461  | VOL | 024A | 59   |
| 1295 303 027 | 146.209  | MAN          | 004A | 51   | 1295 303 060 | 146.457  | DAF          | 019A | 58   | 1295 303 101 | 146.210  | MB  | 001A | 50   |
| 1295 303 027 | 146.209  | MAN          | 005A | 59   | 1295 303 060 | 146.457  | DAF          | 020A | 61   | 1295 303 101 | 146.210  | MB  | 002A | 58   |
| 1295 303 027 | 146.209  | IVE          | 009A | 59   | 1295 303 060 | 146.457  | VOL          | 024A | 58   | 1295 303 101 | 146.210  | MAN | 004A | 50   |
| 1295 303 027 | 146.209  | RVI          | 014A | 59   | 1295 303 061 | See      | 1295 303 094 |      |      | 1295 303 101 | 146.210  | MAN | 005A | 58   |
| 1295 303 027 | 146.209  | DAF          | 019A | 59   | 1295 303 066 | 105.060  | MB           | 002A | 61   | 1295 303 101 | 146.210  | IVE | 009A | 58   |
| 1295 303 027 | 146.209  | DAF          | 020A | 62   | 1295 303 066 | 105.060  | MAN          | 005A | 61   | 1295 303 101 | 146.210  | RVI | 014A | 58   |
| 1295 303 027 | 146.209  | VOL          | 024A | 59   | 1295 303 066 | 105.060  | IVE          | 009A | 61   | 1295 303 101 | 146.210  | DAF | 019A | 58   |
| 1295 303 028 | 146.413  | MB           | 001A | 51   | 1295 303 066 | 105.060  | RVI          | 014A | 61   | 1295 303 101 | 146.210  | DAF | 020A | 61   |
| 1295 303 028 | 146.413  | MB           | 002A | 59   | 1295 303 066 | 105.060  | DAF          | 019A | 61   | 1295 303 101 | 146.210  | VOL | 024A | 58   |
| 1295 303 028 | 146.413  | MAN          | 004A | 51   | 1295 303 066 | 105.060  | DAF          | 020A | 64   | 1295 304 002 | 154.097  | MB  | 001A | 21   |
| 1295 303 028 | 146.413  | MAN          | 005A | 59   | 1295 303 066 | 105.060  | VOL          | 024A | 61   | 1295 304 002 | 154.097  | MB  | 002A | 17   |
| 1295 303 028 | 146.413  | IVE          | 009A | 59   | 1295 303 067 | 105.119  | MB           | 002A | 61   | 1295 304 002 | 154.097  | MB  | 002A | 34   |
| 1295 303 028 | 146.413  | RVI          | 014A | 59   | 1295 303 067 | 105.119  | MAN          | 005A | 61   | 1295 304 002 | 154.097  | MB  | 002A | 43   |
| 1295 303 028 | 146.413  | DAF          | 019A | 59   | 1295 303 067 | 105.119  | IVE          | 009A | 61   | 1295 304 002 | 154.097  | MAN | 004A | 21   |
| 1295 303 028 | 146.413  | DAF          | 020A | 62   | 1295 303 067 | 105.119  | RVI          | 014A | 61   | 1295 304 002 | 154.097  | MAN | 005A | 17   |
| 1295 303 028 | 146.413  | VOL          | 024A | 59   | 1295 303 067 | 105.119  | DAF          | 019A | 61   | 1295 304 002 | 154.097  | MAN | 005A | 34   |
| 1295 303 030 |          | MB           | 001A | 2    | 1295 303 067 | 105.119  | DAF          | 020A | 64   | 1295 304 002 | 154.097  | MAN | 005A | 43   |
| 1295 303 031 |          | MAN          | 004A | 2    | 1295 303 067 | 105.119  | VOL          | 024A | 61   | 1295 304 002 | 154.097  | IVE | 009A | 17   |
| 1295 303 036 | 146.354  | MB           | 001A | 50   | 1295 303 071 |          | MB           | 002A | 60   | 1295 304 002 | 154.097  | IVE | 009A | 34   |
| 1295 303 036 | 146.354  | MB           | 002A | 58   | 1295 303 071 |          | MAN          | 005A | 60   | 1295 304 002 | 154.097  | IVE | 009A | 43   |
| 1295 303 036 | 146.354  | MAN          | 004A | 50   | 1295 303 071 |          | IVE          | 009A | 60   | 1295 304 002 | 154.097  | IVE | 010A | 17   |
| 1295 303 036 | 146.354  | MAN          | 005A | 58   | 1295 303 071 |          | RVI          | 014A | 60   | 1295 304 002 | 154.097  | RVI | 014A | 17   |

Date

03 / 2006

Table

Index

| Ref. ZF      | Ref. CEI       | OEM Tav.     | Fig.    | Ref. ZF      | Ref. CEI       | OEM Tav. | Fig.    | Ref. ZF      | Ref. CEI       | OEM Tav. | Fig.    |
|--------------|----------------|--------------|---------|--------------|----------------|----------|---------|--------------|----------------|----------|---------|
| 1295 304 002 | <b>154.097</b> | RVI          | 014A 34 | 1295 304 012 | 117.203        | DAF      | 019A 47 | 1295 304 128 | <b>145.277</b> | MB       | 002A 35 |
| 1295 304 002 | <b>154.097</b> | RVI          | 014A 43 | 1295 304 012 | 117.203        | DAF      | 019A 47 | 1295 304 128 | <b>145.277</b> | MAN      | 005A 35 |
| 1295 304 002 | <b>154.097</b> | DAF          | 018A 21 | 1295 304 012 | 117.203        | DAF      | 020A 50 | 1295 304 128 | <b>145.277</b> | IVE      | 009A 35 |
| 1295 304 002 | <b>154.097</b> | DAF          | 019A 17 | 1295 304 012 | 117.203        | DAF      | 020A 50 | 1295 304 128 | <b>145.277</b> | RVI      | 014A 35 |
| 1295 304 002 | <b>154.097</b> | DAF          | 019A 34 | 1295 304 012 | 117.203        | VOL      | 024A 47 | 1295 304 128 | <b>145.277</b> | DAF      | 019A 35 |
| 1295 304 002 | <b>154.097</b> | DAF          | 019A 43 | 1295 304 024 | 109.184        | MB       | 002A 46 | 1295 304 128 | <b>145.277</b> | DAF      | 020A 37 |
| 1295 304 002 | <b>154.097</b> | DAF          | 020A 17 | 1295 304 024 | 109.184        | MAN      | 004A 38 | 1295 304 128 | <b>145.277</b> | VOL      | 024A 35 |
| 1295 304 002 | <b>154.097</b> | VOL          | 024A 17 | 1295 304 024 | 109.184        | MAN      | 005A 46 | 1295 304 129 |                | MB       | 001A 47 |
| 1295 304 002 | <b>154.097</b> | VOL          | 024A 34 | 1295 304 024 | 109.184        | MAN      | 005A 46 | 1295 304 129 |                | MB       | 002A 55 |
| 1295 304 002 | <b>154.097</b> | VOL          | 024A 43 | 1295 304 024 | 109.184        | IVE      | 009A 46 | 1295 304 129 |                | MB       | 002A 55 |
| 1295 304 002 | <b>154.097</b> | VOL          | 025A 17 | 1295 304 024 | 109.184        | RVI      | 014A 46 | 1295 304 129 |                | MAN      | 004A 47 |
| 1295 304 004 | <b>119.084</b> | MB           | 001A 14 | 1295 304 024 | 109.184        | DAF      | 019A 46 | 1295 304 129 |                | MAN      | 005A 55 |
| 1295 304 004 | <b>119.084</b> | MB           | 002A 10 | 1295 304 024 | 109.184        | DAF      | 019A 46 | 1295 304 129 |                | IVE      | 009A 55 |
| 1295 304 004 | <b>119.084</b> | MB           | 002A 32 | 1295 304 024 | 109.184        | DAF      | 020A 49 | 1295 304 129 |                | RVI      | 014A 55 |
| 1295 304 004 | <b>119.084</b> | MB           | 002A 41 | 1295 304 024 | 109.184        | VOL      | 024A 46 | 1295 304 129 |                | DAF      | 018A 47 |
| 1295 304 004 | <b>119.084</b> | MAN          | 004A 14 | 1295 304 115 | 147.152        | MAN      | 004A 41 | 1295 304 129 |                | DAF      | 019A 55 |
| 1295 304 004 | <b>119.084</b> | MAN          | 005A 10 | 1295 304 115 | 147.152        | MAN      | 005A 49 | 1295 304 129 |                | DAF      | 019A 55 |
| 1295 304 004 | <b>119.084</b> | MAN          | 005A 32 | 1295 304 115 | 147.152        | DAF      | 019A 49 | 1295 304 129 |                | DAF      | 020A 58 |
| 1295 304 004 | <b>119.084</b> | MAN          | 005A 41 | 1295 304 120 | 145.501        | MB       | 002A 39 | 1295 304 129 |                | DAF      | 020A 58 |
| 1295 304 004 | <b>119.084</b> | IVE          | 009A 10 | 1295 304 120 | 145.501        | MAN      | 005A 39 | 1295 304 129 |                | VOL      | 024A 55 |
| 1295 304 004 | <b>119.084</b> | IVE          | 009A 32 | 1295 304 120 | 145.501        | IVE      | 009A 39 | 1295 304 135 | <b>146.212</b> | MB       | 002A 30 |
| 1295 304 004 | <b>119.084</b> | IVE          | 009A 41 | 1295 304 120 | 145.501        | RVI      | 014A 39 | 1295 304 135 | <b>146.212</b> | MAN      | 005A 30 |
| 1295 304 004 | <b>119.084</b> | IVE          | 010A 10 | 1295 304 120 | 145.501        | DAF      | 019A 39 | 1295 304 135 | <b>146.212</b> | IVE      | 009A 30 |
| 1295 304 004 | <b>119.084</b> | RVI          | 014A 10 | 1295 304 120 | 145.501        | DAF      | 020A 41 | 1295 304 135 | <b>146.212</b> | RVI      | 014A 30 |
| 1295 304 004 | <b>119.084</b> | RVI          | 014A 32 | 1295 304 120 | 145.501        | VOL      | 024A 39 | 1295 304 135 | <b>146.212</b> | DAF      | 019A 30 |
| 1295 304 004 | <b>119.084</b> | RVI          | 014A 41 | 1295 304 121 | <b>145.278</b> | MB       | 002A 39 | 1295 304 135 | <b>146.212</b> | DAF      | 020A 30 |
| 1295 304 004 | <b>119.084</b> | DAF          | 018A 14 | 1295 304 121 | <b>145.278</b> | MAN      | 005A 39 | 1295 304 135 | <b>146.212</b> | VOL      | 024A 30 |
| 1295 304 004 | <b>119.084</b> | DAF          | 019A 10 | 1295 304 121 | <b>145.278</b> | IVE      | 009A 39 | 1295 304 136 | <b>146.356</b> | MB       | 002A 30 |
| 1295 304 004 | <b>119.084</b> | DAF          | 019A 32 | 1295 304 121 | <b>145.278</b> | RVI      | 014A 39 | 1295 304 136 | <b>146.356</b> | MAN      | 005A 30 |
| 1295 304 004 | <b>119.084</b> | DAF          | 019A 41 | 1295 304 121 | <b>145.278</b> | DAF      | 019A 39 | 1295 304 136 | <b>146.356</b> | IVE      | 009A 30 |
| 1295 304 004 | <b>119.084</b> | DAF          | 020A 10 | 1295 304 121 | <b>145.278</b> | DAF      | 020A 41 | 1295 304 136 | <b>146.356</b> | RVI      | 014A 30 |
| 1295 304 004 | <b>119.084</b> | VOL          | 024A 10 | 1295 304 121 | <b>145.278</b> | VOL      | 024A 39 | 1295 304 136 | <b>146.356</b> | DAF      | 019A 30 |
| 1295 304 004 | <b>119.084</b> | VOL          | 024A 32 | 1295 304 123 | 145.545        | MAN      | 005A 45 | 1295 304 136 | <b>146.356</b> | DAF      | 020A 30 |
| 1295 304 004 | <b>119.084</b> | VOL          | 024A 41 | 1295 304 123 | 145.545        | DAF      | 019A 45 | 1295 304 136 | <b>146.356</b> | VOL      | 024A 30 |
| 1295 304 004 | <b>119.084</b> | VOL          | 025A 10 | 1295 304 125 |                | MAN      | 005A 50 | 1295 304 165 | <b>109.083</b> | MB       | 002A 9  |
| 1295 304 008 | See            | 1295 304 235 |         | 1295 304 125 |                | DAF      | 019A 50 | 1295 304 176 |                | MAN      | 004A 42 |
| 1295 304 012 | 117.203        | MB           | 001A 39 | 1295 304 127 | 145.495        | MB       | 002A 35 | 1295 304 178 | 154.212        | MB       | 001A 34 |
| 1295 304 012 | 117.203        | MB           | 002A 47 | 1295 304 127 | 145.495        | MAN      | 005A 35 | 1295 304 178 | 154.212        | MAN      | 004A 34 |
| 1295 304 012 | 117.203        | MB           | 002A 47 | 1295 304 127 | 145.495        | IVE      | 009A 35 | 1295 304 179 | 154.211        | MB       | 001A 28 |
| 1295 304 012 | 117.203        | MAN          | 004A 39 | 1295 304 127 | 145.495        | RVI      | 014A 35 | 1295 304 179 | 154.211        | MAN      | 004A 28 |
| 1295 304 012 | 117.203        | MAN          | 005A 47 | 1295 304 127 | 145.495        | DAF      | 019A 35 | 1295 304 181 | 146.464        | MB       | 001A 26 |
| 1295 304 012 | 117.203        | IVE          | 009A 47 | 1295 304 127 | 145.495        | DAF      | 020A 37 | 1295 304 181 | 146.464        | MAN      | 004A 26 |
| 1295 304 012 | 117.203        | RVI          | 014A 47 | 1295 304 127 | 145.495        | VOL      | 024A 35 | 1295 304 182 | 146.465        | MB       | 001A 26 |

Date

03 / 2006

Table

Index

ZF references index  
Indice riferimenti ZF

| Ref. ZF      | Ref. CEI | OEM | Tav. | Fig. | Ref. ZF      | Ref. CEI | OEM | Tav. | Fig. | Ref. ZF      | Ref. CEI | OEM | Tav. | Fig. |
|--------------|----------|-----|------|------|--------------|----------|-----|------|------|--------------|----------|-----|------|------|
| 1295 304 182 | 146.465  | MAN | 004A | 26   | 1295 304 204 | 145.548  | MAN | 004A | 37   | 1295 304 245 | 103.075  | DAF | 020A | 39   |
| 1295 304 184 | 145.546  | MB  | 001A | 32   | 1295 304 205 | 145.550  | MB  | 001A | 37   | 1295 304 245 | 103.075  | VOL | 024A | 37   |
| 1295 304 184 | 145.546  | MAN | 004A | 32   | 1295 304 205 | 145.550  | MAN | 004A | 37   | 1295 304 247 | 157.211  | MB  | 001A | 43   |
| 1295 304 185 | 145.547  | MB  | 001A | 32   | 1295 304 206 | 109.075  | MB  | 001A | 38   | 1295 304 247 | 157.211  | MB  | 002A | 51   |
| 1295 304 185 | 145.547  | MAN | 004A | 32   | 1295 304 206 | 109.075  | MB  | 002A | 46   | 1295 304 247 | 157.211  | MAN | 004A | 43   |
| 1295 304 187 | 145.552  | MB  | 001A | 29   | 1295 304 206 | 109.075  | MB  | 002A | 46   | 1295 304 247 | 157.211  | DAF | 019A | 51   |
| 1295 304 187 | 145.552  | MAN | 004A | 29   | 1295 304 206 | 109.075  | MAN | 004A | 38   | 1295 304 247 | 157.211  | DAF | 020A | 54   |
| 1295 304 188 | 145.551  | MB  | 001A | 29   | 1295 304 206 | 109.075  | MAN | 005A | 46   | 1295 304 248 | 157.112  | MB  | 002A | 51   |
| 1295 304 188 | 145.551  | MAN | 004A | 29   | 1295 304 206 | 109.075  | IVE | 009A | 46   | 1295 304 248 | 157.112  | MAN | 005A | 51   |
| 1295 304 194 | 145.549  | MAN | 004A | 37   | 1295 304 206 | 109.075  | RVI | 014A | 46   | 1295 304 248 | 157.112  | IVE | 009A | 51   |
| 1295 304 200 | 147.093  | MB  | 001A | 41   | 1295 304 206 | 109.075  | DAF | 019A | 46   | 1295 304 248 | 157.112  | RVI | 014A | 51   |
| 1295 304 200 | 147.093  | MB  | 002A | 49   | 1295 304 206 | 109.075  | DAF | 019A | 46   | 1295 304 248 | 157.112  | DAF | 019A | 51   |
| 1295 304 200 | 147.093  | MAN | 004A | 41   | 1295 304 206 | 109.075  | DAF | 020A | 49   | 1295 304 248 | 157.112  | DAF | 020A | 54   |
| 1295 304 200 | 147.093  | MAN | 005A | 49   | 1295 304 206 | 109.075  | DAF | 020A | 49   | 1295 304 248 | 157.112  | VOL | 024A | 51   |
| 1295 304 200 | 147.093  | IVE | 009A | 49   | 1295 304 206 | 109.075  | VOL | 024A | 46   | 1295 304 250 | 103.140  | MB  | 002A | 37   |
| 1295 304 200 | 147.093  | RVI | 014A | 49   | 1295 304 234 | 157.208  | MB  | 001A | 27   | 1295 304 250 | 103.140  | MAN | 005A | 37   |
| 1295 304 200 | 147.093  | DAF | 019A | 49   | 1295 304 234 | 157.208  | MAN | 004A | 27   | 1295 304 250 | 103.140  | IVE | 009A | 37   |
| 1295 304 200 | 147.093  | DAF | 020A | 52   | 1295 304 235 | 157.197  | MB  | 001A | 33   | 1295 304 250 | 103.140  | RVI | 014A | 37   |
| 1295 304 200 | 147.093  | VOL | 024A | 49   | 1295 304 235 | 157.197  | MAN | 004A | 33   | 1295 304 250 | 103.140  | DAF | 019A | 37   |
| 1295 304 201 | 147.138  | MB  | 001A | 41   | 1295 304 235 | 157.197  | DAF | 018A | 33   | 1295 304 250 | 103.140  | DAF | 020A | 39   |
| 1295 304 201 | 147.138  | MB  | 002A | 49   | 1295 304 236 | 146.454  | MB  | 002A | 30   | 1295 304 250 | 103.140  | VOL | 024A | 37   |
| 1295 304 201 | 147.138  | MAN | 004A | 41   | 1295 304 236 | 146.454  | MAN | 005A | 30   | 1295 304 251 | 157.207  | MB  | 001A | 44   |
| 1295 304 201 | 147.138  | MAN | 005A | 49   | 1295 304 236 | 146.454  | IVE | 009A | 30   | 1295 304 251 | 157.207  | MB  | 002A | 52   |
| 1295 304 201 | 147.138  | IVE | 009A | 49   | 1295 304 236 | 146.454  | RVI | 014A | 30   | 1295 304 251 | 157.207  | MAN | 004A | 44   |
| 1295 304 201 | 147.138  | RVI | 014A | 49   | 1295 304 236 | 146.454  | DAF | 019A | 30   | 1295 304 251 | 157.207  | MAN | 005A | 52   |
| 1295 304 201 | 147.138  | DAF | 019A | 49   | 1295 304 236 | 146.454  | DAF | 020A | 30   | 1295 304 251 | 157.207  | IVE | 009A | 52   |
| 1295 304 201 | 147.138  | DAF | 020A | 52   | 1295 304 236 | 146.454  | VOL | 024A | 30   | 1295 304 251 | 157.207  | RVI | 014A | 52   |
| 1295 304 201 | 147.138  | VOL | 024A | 49   | 1295 304 240 | 169.409  | MB  | 002A | 50   | 1295 304 251 | 157.207  | DAF | 019A | 52   |
| 1295 304 202 | 145.279  | MB  | 002A | 45   | 1295 304 240 | 169.409  | MAN | 005A | 50   | 1295 304 251 | 157.207  | DAF | 020A | 55   |
| 1295 304 202 | 145.279  | MAN | 005A | 45   | 1295 304 240 | 169.409  | IVE | 009A | 50   | 1295 304 251 | 157.207  | VOL | 024A | 52   |
| 1295 304 202 | 145.279  | IVE | 009A | 45   | 1295 304 240 | 169.409  | RVI | 014A | 50   | 1295 304 269 |          | MB  | 002A | 35   |
| 1295 304 202 | 145.279  | RVI | 014A | 45   | 1295 304 240 | 169.409  | DAF | 019A | 50   | 1295 304 269 |          | MAN | 005A | 35   |
| 1295 304 202 | 145.279  | DAF | 019A | 45   | 1295 304 240 | 169.409  | DAF | 020A | 53   | 1295 304 269 |          | IVE | 009A | 35   |
| 1295 304 202 | 145.279  | DAF | 020A | 48   | 1295 304 240 | 169.409  | VOL | 024A | 50   | 1295 304 269 |          | RVI | 014A | 35   |
| 1295 304 202 | 145.279  | VOL | 024A | 45   | 1295 304 241 |          | MB  | 001A | 42   | 1295 304 269 |          | DAF | 019A | 35   |
| 1295 304 203 | 145.506  | MB  | 002A | 45   | 1295 304 241 |          | MAN | 004A | 42   | 1295 304 269 |          | DAF | 020A | 37   |
| 1295 304 203 | 145.506  | MAN | 005A | 45   | 1295 304 243 | 103.141  | MB  | 001A | 31   | 1295 304 269 |          | VOL | 024A | 35   |
| 1295 304 203 | 145.506  | IVE | 009A | 45   | 1295 304 243 | 103.141  | MAN | 004A | 31   | 1295 304 270 |          | MB  | 002A | 45   |
| 1295 304 203 | 145.506  | RVI | 014A | 45   | 1295 304 245 | 103.075  | MB  | 002A | 37   | 1295 304 270 |          | MAN | 005A | 45   |
| 1295 304 203 | 145.506  | DAF | 019A | 45   | 1295 304 245 | 103.075  | MAN | 005A | 37   | 1295 304 270 |          | IVE | 009A | 45   |
| 1295 304 203 | 145.506  | DAF | 020A | 48   | 1295 304 245 | 103.075  | IVE | 009A | 37   | 1295 304 270 |          | RVI | 014A | 45   |
| 1295 304 203 | 145.506  | VOL | 024A | 45   | 1295 304 245 | 103.075  | RVI | 014A | 37   | 1295 304 270 |          | DAF | 019A | 45   |
| 1295 304 204 | 145.548  | MB  | 001A | 37   | 1295 304 245 | 103.075  | DAF | 019A | 37   | 1295 304 270 |          | DAF | 020A | 48   |

Date

03 / 2006

Table

Index

| Ref. ZF      | Ref. CEI       | OEM Tav. Fig. | Ref. ZF      | Ref. CEI       | OEM Tav. Fig. | Ref. ZF      | Ref. CEI       | OEM Tav. Fig. |
|--------------|----------------|---------------|--------------|----------------|---------------|--------------|----------------|---------------|
| 1295 304 270 |                | VOL 024A 45   | 1295 304 278 | <b>109.072</b> | RVI 014A 40   | 1295 305 052 | 147.094        | MB 002A 65    |
| 1295 304 271 |                | MB 002A 39    | 1295 304 278 | <b>109.072</b> | DAF 018A 13   | 1295 305 052 | 147.094        | MAN 004A 57   |
| 1295 304 271 |                | MAN 005A 39   | 1295 304 278 | <b>109.072</b> | DAF 018A 22   | 1295 305 052 | 147.094        | MAN 005A 65   |
| 1295 304 271 |                | IVE 009A 39   | 1295 304 278 | <b>109.072</b> | DAF 019A 9    | 1295 305 052 | 147.094        | MAN 005A 65   |
| 1295 304 271 |                | RVI 014A 39   | 1295 304 278 | <b>109.072</b> | DAF 019A 18   | 1295 305 052 | 147.094        | IVE 009A 65   |
| 1295 304 271 |                | DAF 019A 39   | 1295 304 278 | <b>109.072</b> | DAF 019A 31   | 1295 305 052 | 147.094        | IVE 009A 65   |
| 1295 304 271 |                | DAF 020A 41   | 1295 304 278 | <b>109.072</b> | DAF 019A 40   | 1295 305 052 | 147.094        | IVE 010A 68   |
| 1295 304 271 |                | VOL 024A 39   | 1295 304 278 | <b>109.072</b> | DAF 020A 9    | 1295 305 052 | 147.094        | RVI 014A 65   |
| 1295 304 272 |                | MB 002A 49    | 1295 304 278 | <b>109.072</b> | DAF 020A 18   | 1295 305 052 | 147.094        | DAF 018A 57   |
| 1295 304 272 |                | MAN 005A 49   | 1295 304 278 | <b>109.072</b> | VOL 024A 9    | 1295 305 052 | 147.094        | DAF 019A 65   |
| 1295 304 272 |                | IVE 009A 49   | 1295 304 278 | <b>109.072</b> | VOL 024A 18   | 1295 305 052 | 147.094        | DAF 019A 65   |
| 1295 304 272 |                | RVI 014A 49   | 1295 304 278 | <b>109.072</b> | VOL 024A 31   | 1295 305 052 | 147.094        | DAF 019A 65   |
| 1295 304 272 |                | DAF 019A 49   | 1295 304 278 | <b>109.072</b> | VOL 024A 40   | 1295 305 052 | 147.094        | DAF 020A 68   |
| 1295 304 272 |                | DAF 020A 52   | 1295 304 278 | <b>109.072</b> | VOL 025A 9    | 1295 305 052 | 147.094        | DAF 020A 68   |
| 1295 304 272 |                | VOL 024A 49   | 1295 304 278 | <b>109.072</b> | VOL 025A 18   | 1295 305 052 | 147.094        | DAF 020A 68   |
| 1295 304 273 |                | MB 002A 37    | 1295 304 303 | 146.466        | MB 001A 26    | 1295 305 052 | 147.094        | VOL 024A 65   |
| 1295 304 273 |                | MAN 005A 37   | 1295 304 303 | 146.466        | MAN 004A 26   | 1295 305 052 | 147.094        | VOL 024A 65   |
| 1295 304 273 |                | IVE 009A 37   | 1295 304 304 | 103.142        | MB 001A 31    | 1295 305 052 | 147.094        | VOL 025A 68   |
| 1295 304 273 |                | RVI 014A 37   | 1295 304 304 | 103.142        | MAN 004A 31   | 1295 305 056 | 107.108        | MB 001A 55    |
| 1295 304 273 |                | DAF 019A 37   | 1295 305 008 | See            | 1295 305 056  | 1295 305 056 | 107.108        | MB 002A 63    |
| 1295 304 273 |                | DAF 020A 39   | 1295 305 051 | 147.133        | MB 001A 57    | 1295 305 056 | 107.108        | MB 003A 63    |
| 1295 304 273 |                | VOL 024A 37   | 1295 305 051 | 147.133        | MB 002A 65    | 1295 305 056 | 107.108        | MAN 004A 55   |
| 1295 304 278 | <b>109.072</b> | MB 001A 13    | 1295 305 051 | 147.133        | MB 002A 65    | 1295 305 056 | 107.108        | MAN 005A 63   |
| 1295 304 278 | <b>109.072</b> | MB 001A 22    | 1295 305 051 | 147.133        | MB 002A 65    | 1295 305 056 | 107.108        | MAN 006A 63   |
| 1295 304 278 | <b>109.072</b> | MB 002A 9     | 1295 305 051 | 147.133        | MAN 004A 57   | 1295 305 056 | 107.108        | IVE 009A 63   |
| 1295 304 278 | <b>109.072</b> | MB 002A 18    | 1295 305 051 | 147.133        | MAN 005A 65   | 1295 305 056 | 107.108        | IVE 010A 66   |
| 1295 304 278 | <b>109.072</b> | MB 002A 31    | 1295 305 051 | 147.133        | MAN 005A 65   | 1295 305 056 | 107.108        | IVE 011A 63   |
| 1295 304 278 | <b>109.072</b> | MB 002A 40    | 1295 305 051 | 147.133        | IVE 009A 65   | 1295 305 056 | 107.108        | RVI 014A 63   |
| 1295 304 278 | <b>109.072</b> | MAN 004A 13   | 1295 305 051 | 147.133        | IVE 009A 65   | 1295 305 056 | 107.108        | RVI 015A 63   |
| 1295 304 278 | <b>109.072</b> | MAN 004A 22   | 1295 305 051 | 147.133        | IVE 010A 68   | 1295 305 056 | 107.108        | DAF 018A 55   |
| 1295 304 278 | <b>109.072</b> | MAN 005A 9    | 1295 305 051 | 147.133        | RVI 014A 65   | 1295 305 056 | 107.108        | DAF 019A 63   |
| 1295 304 278 | <b>109.072</b> | MAN 005A 18   | 1295 305 051 | 147.133        | DAF 018A 57   | 1295 305 056 | 107.108        | DAF 020A 66   |
| 1295 304 278 | <b>109.072</b> | MAN 005A 31   | 1295 305 051 | 147.133        | DAF 019A 65   | 1295 305 056 | 107.108        | DAF 021A 63   |
| 1295 304 278 | <b>109.072</b> | MAN 005A 40   | 1295 305 051 | 147.133        | DAF 019A 65   | 1295 305 056 | 107.108        | VOL 024A 63   |
| 1295 304 278 | <b>109.072</b> | IVE 009A 9    | 1295 305 051 | 147.133        | DAF 019A 65   | 1295 305 056 | 107.108        | VOL 025A 66   |
| 1295 304 278 | <b>109.072</b> | IVE 009A 18   | 1295 305 051 | 147.133        | DAF 020A 68   | 1295 306 132 | <b>141.068</b> | MB 001B 29    |
| 1295 304 278 | <b>109.072</b> | IVE 009A 31   | 1295 305 051 | 147.133        | DAF 020A 68   | 1295 306 132 | <b>141.068</b> | MB 002B 29    |
| 1295 304 278 | <b>109.072</b> | IVE 009A 40   | 1295 305 051 | 147.133        | VOL 024A 65   | 1295 306 132 | <b>141.068</b> | MAN 004B 29   |
| 1295 304 278 | <b>109.072</b> | IVE 010A 9    | 1295 305 051 | 147.133        | VOL 024A 65   | 1295 306 132 | <b>141.068</b> | MAN 005B 29   |
| 1295 304 278 | <b>109.072</b> | IVE 010A 18   | 1295 305 051 | 147.133        | VOL 025A 68   | 1295 306 132 | <b>141.068</b> | IVE 009B 29   |
| 1295 304 278 | <b>109.072</b> | RVI 014A 9    | 1295 305 052 | 147.094        | MB 001A 57    | 1295 306 132 | <b>141.068</b> | IVE 010B 33   |
| 1295 304 278 | <b>109.072</b> | RVI 014A 18   | 1295 305 052 | 147.094        | MB 002A 65    | 1295 306 132 | <b>141.068</b> | RVI 014B 29   |
| 1295 304 278 | <b>109.072</b> | RVI 014A 31   | 1295 305 052 | 147.094        | MB 002A 65    | 1295 306 132 | <b>141.068</b> | DAF 018B 29   |

Date

03 / 2006

Table

Index

ZF references index  
Indice riferimenti ZF



| Ref. ZF      | Ref. CEI       | OEM          | Tav. | Fig. | Ref. ZF      | Ref. CEI       | OEM | Tav. | Fig. | Ref. ZF      | Ref. CEI       | OEM | Tav. | Fig. |
|--------------|----------------|--------------|------|------|--------------|----------------|-----|------|------|--------------|----------------|-----|------|------|
| 1295 306 132 | <b>141.068</b> | DAF          | 019B | 29   | 1295 332 051 | 188.077        | VOL | 025B | 28   | 1295 332 086 | <b>123.208</b> | RVI | 016B | 9    |
| 1295 306 132 | <b>141.068</b> | DAF          | 020B | 33   | 1295 332 053 | 123.162        | MB  | 001B | 10   | 1295 332 086 | <b>123.208</b> | RVI | 016B | 9    |
| 1295 306 132 | <b>141.068</b> | VOL          | 024B | 29   | 1295 332 053 | 123.162        | MB  | 002B | 10   | 1295 332 086 | <b>123.208</b> | DAF | 018B | 10   |
| 1295 306 132 | <b>141.068</b> | VOL          | 025B | 33   | 1295 332 053 | 123.162        | MB  | 002B | 10   | 1295 332 086 | <b>123.208</b> | DAF | 019B | 10   |
| 1295 306 143 | See            | 1295 206 213 |      |      | 1295 332 053 | 123.162        | MAN | 004B | 10   | 1295 332 086 | <b>123.208</b> | DAF | 019B | 10   |
| 1295 312 017 |                | MB           | 001B | 34   | 1295 332 053 | 123.162        | MAN | 005B | 10   | 1295 332 086 | <b>123.208</b> | DAF | 020B | 10   |
| 1295 312 017 |                | MAN          | 004B | 34   | 1295 332 053 | 123.162        | IVE | 009B | 10   | 1295 332 086 | <b>123.208</b> | DAF | 020B | 10   |
| 1295 312 018 | 149.172        | MB           | 002B | 34   | 1295 332 053 | 123.162        | RVI | 014B | 10   | 1295 332 086 | <b>123.208</b> | DAF | 021B | 9    |
| 1295 312 018 | 149.172        | MAN          | 005B | 34   | 1295 332 053 | 123.162        | DAF | 019B | 10   | 1295 332 086 | <b>123.208</b> | DAF | 021B | 9    |
| 1295 312 018 | 149.172        | IVE          | 009B | 34   | 1295 332 053 | 123.162        | DAF | 019B | 10   | 1295 332 086 | <b>123.208</b> | DAF | 022B | 9    |
| 1295 312 018 | 149.172        | RVI          | 014B | 34   | 1295 332 053 | 123.162        | DAF | 020B | 10   | 1295 332 086 | <b>123.208</b> | DAF | 022B | 9    |
| 1295 312 018 | 149.172        | DAF          | 019B | 34   | 1295 332 053 | 123.162        | DAF | 020B | 10   | 1295 332 086 | <b>123.208</b> | VOL | 024B | 10   |
| 1295 312 018 | 149.172        | DAF          | 020B | 35   | 1295 332 053 | 123.162        | VOL | 024B | 10   | 1295 332 086 | <b>123.208</b> | VOL | 024B | 10   |
| 1295 312 018 | 149.172        | VOL          | 024B | 34   | 1295 332 064 |                | MB  | 002B | 28   | 1295 332 086 | <b>123.208</b> | VOL | 025B | 10   |
| 1295 332 016 | See            | 1295 232 027 |      |      | 1295 332 064 |                | MAN | 005B | 28   | 1295 334 075 | <b>132.047</b> | MB  | 001B | 45   |
| 1295 332 021 | 150.112        | MB           | 001B | 11   | 1295 332 064 |                | IVE | 009B | 28   | 1295 334 075 | <b>132.047</b> | MB  | 002B | 45   |
| 1295 332 021 | 150.112        | MB           | 002B | 11   | 1295 332 064 |                | RVI | 014B | 28   | 1295 334 075 | <b>132.047</b> | MB  | 003B | 44   |
| 1295 332 021 | 150.112        | MB           | 002B | 11   | 1295 332 064 |                | DAF | 019B | 28   | 1295 334 075 | <b>132.047</b> | MAN | 004B | 45   |
| 1295 332 021 | 150.112        | MAN          | 004B | 11   | 1295 332 064 |                | VOL | 024B | 28   | 1295 334 075 | <b>132.047</b> | MAN | 005B | 45   |
| 1295 332 021 | 150.112        | MAN          | 005B | 11   | 1295 332 084 | 150.142        | MB  | 001B | 11   | 1295 334 075 | <b>132.047</b> | MAN | 006B | 44   |
| 1295 332 021 | 150.112        | IVE          | 009B | 11   | 1295 332 084 | 150.142        | MAN | 004B | 11   | 1295 334 075 | <b>132.047</b> | IVE | 009B | 45   |
| 1295 332 021 | 150.112        | RVI          | 014B | 11   | 1295 332 086 | <b>123.208</b> | MB  | 001B | 10   | 1295 334 075 | <b>132.047</b> | IVE | 010B | 46   |
| 1295 332 021 | 150.112        | DAF          | 019B | 11   | 1295 332 086 | <b>123.208</b> | MB  | 001B | 10   | 1295 334 075 | <b>132.047</b> | IVE | 011B | 44   |
| 1295 332 021 | 150.112        | DAF          | 019B | 11   | 1295 332 086 | <b>123.208</b> | MB  | 002B | 10   | 1295 334 075 | <b>132.047</b> | RVI | 014B | 45   |
| 1295 332 021 | 150.112        | DAF          | 020B | 11   | 1295 332 086 | <b>123.208</b> | MB  | 002B | 10   | 1295 334 075 | <b>132.047</b> | RVI | 015B | 44   |
| 1295 332 021 | 150.112        | DAF          | 020B | 11   | 1295 332 086 | <b>123.208</b> | MB  | 003B | 9    | 1295 334 075 | <b>132.047</b> | DAF | 018B | 45   |
| 1295 332 021 | 150.112        | VOL          | 024B | 11   | 1295 332 086 | <b>123.208</b> | MAN | 004B | 10   | 1295 334 075 | <b>132.047</b> | DAF | 019B | 45   |
| 1295 332 028 | See            | 1295 332 053 |      |      | 1295 332 086 | <b>123.208</b> | MAN | 004B | 10   | 1295 334 075 | <b>132.047</b> | DAF | 020B | 46   |
| 1295 332 051 | 188.077        | MB           | 001B | 28   | 1295 332 086 | <b>123.208</b> | MAN | 005B | 10   | 1295 334 075 | <b>132.047</b> | DAF | 021B | 44   |
| 1295 332 051 | 188.077        | MB           | 002B | 28   | 1295 332 086 | <b>123.208</b> | MAN | 005B | 10   | 1295 334 075 | <b>132.047</b> | VOL | 024B | 45   |
| 1295 332 051 | 188.077        | MAN          | 004B | 28   | 1295 332 086 | <b>123.208</b> | MAN | 006B | 9    | 1295 334 075 | <b>132.047</b> | VOL | 025B | 46   |
| 1295 332 051 | 188.077        | MAN          | 005B | 28   | 1295 332 086 | <b>123.208</b> | MAN | 006B | 9    | 1295 338 014 | 197.051        | MB  | 001B | 27   |
| 1295 332 051 | 188.077        | MAN          | 006B | 27   | 1295 332 086 | <b>123.208</b> | MAN | 007B | 9    | 1295 338 014 | 197.051        | MB  | 002B | 27   |
| 1295 332 051 | 188.077        | IVE          | 009B | 28   | 1295 332 086 | <b>123.208</b> | MAN | 007B | 9    | 1295 338 014 | 197.051        | MB  | 002B | 27   |
| 1295 332 051 | 188.077        | IVE          | 010B | 28   | 1295 332 086 | <b>123.208</b> | IVE | 009B | 10   | 1295 338 014 | 197.051        | MAN | 004B | 27   |
| 1295 332 051 | 188.077        | IVE          | 011B | 27   | 1295 332 086 | <b>123.208</b> | IVE | 009B | 10   | 1295 338 014 | 197.051        | MAN | 005B | 27   |
| 1295 332 051 | 188.077        | RVI          | 014B | 28   | 1295 332 086 | <b>123.208</b> | IVE | 010B | 10   | 1295 338 014 | 197.051        | IVE | 009B | 27   |
| 1295 332 051 | 188.077        | RVI          | 015B | 27   | 1295 332 086 | <b>123.208</b> | IVE | 011B | 9    | 1295 338 014 | 197.051        | RVI | 014B | 27   |
| 1295 332 051 | 188.077        | DAF          | 018B | 28   | 1295 332 086 | <b>123.208</b> | IVE | 011B | 9    | 1295 338 014 | 197.051        | DAF | 019B | 27   |
| 1295 332 051 | 188.077        | DAF          | 019B | 28   | 1295 332 086 | <b>123.208</b> | IVE | 012B | 9    | 1295 338 014 | 197.051        | DAF | 019B | 27   |
| 1295 332 051 | 188.077        | DAF          | 020B | 28   | 1295 332 086 | <b>123.208</b> | IVE | 012B | 9    | 1295 338 014 | 197.051        | DAF | 020B | 27   |
| 1295 332 051 | 188.077        | DAF          | 021B | 27   | 1295 332 086 | <b>123.208</b> | RVI | 014B | 10   | 1295 338 014 | 197.051        | VOL | 024B | 27   |
| 1295 332 051 | 188.077        | VOL          | 024B | 28   | 1295 332 086 | <b>123.208</b> | RVI | 015B | 9    | 1295 338 016 | 197.074        | MB  | 002B | 27   |

## Date

03 / 2006

## Table

## Index

| Ref. ZF      | Ref. CEI       | OEM Tav. | Fig.    | Ref. ZF      | Ref. CEI       | OEM Tav.     | Fig.    | Ref. ZF      | Ref. CEI       | OEM Tav.     | Fig.    |
|--------------|----------------|----------|---------|--------------|----------------|--------------|---------|--------------|----------------|--------------|---------|
| 1295 338 016 | 197.074        | MAN      | 005B 27 | 1296 206 064 |                | DAF          | 019B 30 | 1296 298 904 | 198.562        | DAF          | 019B 9  |
| 1295 338 016 | 197.074        | IVE      | 009B 27 | 1296 206 077 |                | MB           | 002B 32 | 1296 298 904 | 198.562        | DAF          | 020B 9  |
| 1295 338 016 | 197.074        | RVI      | 014B 27 | 1296 206 077 |                | DAF          | 019B 32 | 1296 298 904 | 198.562        | DAF          | 020B 9  |
| 1295 338 016 | 197.074        | DAF      | 019B 27 | 1296 206 078 |                | MB           | 002B 32 | 1296 298 904 | 198.562        | VOL          | 024B 9  |
| 1295 338 016 | 197.074        | VOL      | 024B 27 | 1296 206 078 |                | DAF          | 019B 32 | 1296 301 006 | See            | 1296 301 067 |         |
| 1295 338 028 |                | MB       | 002B 27 | 1296 206 078 |                | DAF          | 020B 32 | 1296 301 038 | See            | 1315 301 220 |         |
| 1295 338 028 |                | MAN      | 005B 27 | 1296 221 001 |                | MB           | 002A 11 | 1296 301 067 |                | MB           | 002B 25 |
| 1295 338 028 |                | IVE      | 009B 27 | 1296 221 001 |                | DAF          | 019A 11 | 1296 301 067 |                | MB           | 002B 25 |
| 1295 338 028 |                | RVI      | 014B 27 | 1296 221 002 |                | MB           | 002A 11 | 1296 301 067 |                | MAN          | 004B 25 |
| 1295 338 028 |                | DAF      | 019B 27 | 1296 232 002 | 190.393        | MAN          | 006B 1  | 1296 301 067 |                | MAN          | 005B 25 |
| 1295 338 028 |                | VOL      | 024B 27 | 1296 232 002 | 190.393        | MAN          | 007B 1  | 1296 301 067 |                | MAN          | 005B 25 |
| 1295 338 059 |                | MB       | 002B 27 | 1296 232 002 | 190.393        | IVE          | 011B 1  | 1296 301 067 |                | IVE          | 009B 25 |
| 1295 338 059 |                | MB       | 002B 27 | 1296 232 002 | 190.393        | IVE          | 012B 1  | 1296 301 067 |                | IVE          | 009B 25 |
| 1295 338 059 |                | MAN      | 005B 27 | 1296 232 002 | 190.393        | RVI          | 015B 1  | 1296 301 067 |                | IVE          | 010B 25 |
| 1295 338 059 |                | IVE      | 009B 27 | 1296 232 002 | 190.393        | RVI          | 016B 1  | 1296 301 067 |                | IVE          | 010B 25 |
| 1295 338 059 |                | RVI      | 014B 27 | 1296 232 002 | 190.393        | DAF          | 021B 1  | 1296 301 067 |                | RVI          | 014B 25 |
| 1295 338 059 |                | DAF      | 019B 27 | 1296 232 002 | 190.393        | DAF          | 022B 1  | 1296 301 067 |                | DAF          | 018B 25 |
| 1295 338 059 |                | DAF      | 019B 27 | 1296 233 005 | See            | 1296 233 006 |         | 1296 301 067 |                | DAF          | 019B 25 |
| 1295 338 059 |                | VOL      | 024B 27 | 1296 233 006 | <b>198.358</b> | MB           | 001B 15 | 1296 301 067 |                | DAF          | 019B 25 |
| 1295 338 061 |                | MB       | 001B 27 | 1296 233 006 | <b>198.358</b> | MB           | 002B 15 | 1296 301 067 |                | DAF          | 020B 25 |
| 1295 338 061 |                | MB       | 002B 27 | 1296 233 006 | <b>198.358</b> | MB           | 003B 14 | 1296 301 067 |                | VOL          | 024B 25 |
| 1295 338 061 |                | MB       | 002B 27 | 1296 233 006 | <b>198.358</b> | MAN          | 004B 15 | 1296 301 067 |                | VOL          | 025B 25 |
| 1295 338 061 |                | MAN      | 004B 27 | 1296 233 006 | <b>198.358</b> | MAN          | 005B 15 | 1296 301 140 | See            | 1315 301 220 |         |
| 1295 338 061 |                | MAN      | 005B 27 | 1296 233 006 | <b>198.358</b> | MAN          | 006B 14 | 1296 302 002 | 145.535        | MB           | 002A 8  |
| 1295 338 061 |                | IVE      | 009B 27 | 1296 233 006 | <b>198.358</b> | IVE          | 009B 15 | 1296 302 002 | 145.535        | DAF          | 019A 8  |
| 1295 338 061 |                | RVI      | 014B 27 | 1296 233 006 | <b>198.358</b> | IVE          | 010B 15 | 1296 302 003 | <b>145.447</b> | MB           | 002A 8  |
| 1295 338 061 |                | DAF      | 019B 27 | 1296 233 006 | <b>198.358</b> | IVE          | 011B 14 | 1296 302 003 | <b>145.447</b> | DAF          | 019A 8  |
| 1295 338 061 |                | DAF      | 019B 27 | 1296 233 006 | <b>198.358</b> | RVI          | 014B 15 | 1296 302 003 | <b>145.447</b> | DAF          | 020A 8  |
| 1295 338 061 |                | DAF      | 020B 27 | 1296 233 006 | <b>198.358</b> | RVI          | 015B 14 | 1296 302 023 | <b>145.448</b> | MB           | 002A 8  |
| 1295 338 061 |                | VOL      | 024B 27 | 1296 233 006 | <b>198.358</b> | DAF          | 018B 15 | 1296 303 002 | 146.363        | MB           | 002A 59 |
| 1296 202 001 | <b>102.222</b> | MB       | 002A 11 | 1296 233 006 | <b>198.358</b> | DAF          | 019B 15 | 1296 303 002 | 146.363        | DAF          | 019A 59 |
| 1296 202 004 | 102.248        | MB       | 002A 11 | 1296 233 006 | <b>198.358</b> | DAF          | 020B 15 | 1296 303 002 | 146.363        | DAF          | 020A 62 |
| 1296 202 006 | 102.229        | DAF      | 019A 11 | 1296 233 006 | <b>198.358</b> | DAF          | 021B 14 | 1296 303 003 | 146.450        | MB           | 002A 59 |
| 1296 202 006 | 102.229        | DAF      | 020A 11 | 1296 233 006 | <b>198.358</b> | VOL          | 024B 15 | 1296 303 003 | 146.450        | DAF          | 019A 59 |
| 1296 206 061 |                | MB       | 002B 30 | 1296 233 006 | <b>198.358</b> | VOL          | 025B 15 | 1296 303 008 | 146.451        | MB           | 002A 60 |
| 1296 206 061 |                | DAF      | 019B 30 | 1296 298 904 | 198.562        | MB           | 001B 9  | 1296 303 008 | 146.451        | DAF          | 019A 60 |
| 1296 206 061 |                | DAF      | 020B 30 | 1296 298 904 | 198.562        | MB           | 002B 9  | 1296 303 009 | <b>146.419</b> | MB           | 002A 60 |
| 1296 206 062 |                | MB       | 002B 31 | 1296 298 904 | 198.562        | MB           | 002B 9  | 1296 303 009 | <b>146.419</b> | DAF          | 019A 60 |
| 1296 206 062 |                | DAF      | 019B 31 | 1296 298 904 | 198.562        | MAN          | 004B 9  | 1296 303 009 | <b>146.419</b> | DAF          | 020A 63 |
| 1296 206 062 |                | DAF      | 020B 31 | 1296 298 904 | 198.562        | MAN          | 005B 9  | 1296 303 013 | 146.449        | MB           | 002A 58 |
| 1296 206 063 |                | MB       | 002B 31 | 1296 298 904 | 198.562        | IVE          | 009B 9  | 1296 303 013 | 146.449        | DAF          | 019A 58 |
| 1296 206 063 |                | DAF      | 019B 31 | 1296 298 904 | 198.562        | RVI          | 014B 9  | 1296 303 014 | <b>146.364</b> | MB           | 002A 58 |
| 1296 206 064 |                | MB       | 002B 30 | 1296 298 904 | 198.562        | DAF          | 019B 9  | 1296 303 014 | <b>146.364</b> | DAF          | 019A 58 |

Date

03 / 2006

Table

Index

ZF references index  
Indice riferimenti ZF

# ZF Index

| Ref. ZF      | Ref. CEI       | OEM          | Tav. | Fig. | Ref. ZF      | Ref. CEI       | OEM          | Tav. | Fig. | Ref. ZF      | Ref. CEI       | OEM          | Tav. | Fig. |
|--------------|----------------|--------------|------|------|--------------|----------------|--------------|------|------|--------------|----------------|--------------|------|------|
| 1296 303 014 | <b>146.364</b> | DAF          | 020A | 61   | 1296 304 100 | 145.538        | MB           | 002A | 45   | 1296 312 053 | 189.421        | MAN          | 004B | 37   |
| 1296 303 020 | See            | 1296 303 025 |      |      | 1296 304 100 | 145.538        | DAF          | 019A | 45   | 1296 312 053 | 189.421        | MAN          | 005B | 37   |
| 1296 303 021 | See            | 1296 303 026 |      |      | 1296 304 117 | 169.756        | MB           | 002A | 50   | 1296 312 053 | 189.421        | IVE          | 009B | 37   |
| 1296 303 025 | <b>105.104</b> | MB           | 002A | 61   | 1296 304 117 | 169.756        | DAF          | 019A | 50   | 1296 312 053 | 189.421        | IVE          | 010B | 38   |
| 1296 303 025 | <b>105.104</b> | DAF          | 019A | 61   | 1296 304 117 | 169.756        | DAF          | 020A | 53   | 1296 312 053 | 189.421        | RVI          | 014B | 37   |
| 1296 303 025 | <b>105.104</b> | DAF          | 020A | 64   | 1296 304 119 | 103.131        | MB           | 002A | 37   | 1296 312 053 | 189.421        | DAF          | 018B | 37   |
| 1296 303 026 | 105.117        | MB           | 002A | 61   | 1296 304 119 | 103.131        | DAF          | 019A | 37   | 1296 312 053 | 189.421        | DAF          | 019B | 37   |
| 1296 303 026 | 105.117        | DAF          | 019A | 61   | 1296 304 119 | 103.131        | DAF          | 020A | 39   | 1296 312 053 | 189.421        | DAF          | 020B | 38   |
| 1296 303 035 | 146.445        | MAN          | 006A | 60   | 1296 304 131 | 146.442        | MAN          | 006A | 26   | 1296 312 053 | 189.421        | VOL          | 024B | 37   |
| 1296 303 035 | 146.445        | IVE          | 011A | 60   | 1296 304 131 | 146.442        | IVE          | 011A | 26   | 1296 312 053 | 189.421        | VOL          | 025B | 38   |
| 1296 303 035 | 146.445        | RVI          | 015A | 60   | 1296 304 131 | 146.442        | RVI          | 015A | 26   | 1296 328 001 | See            | 1296 333 022 |      |      |
| 1296 303 035 | 146.445        | DAF          | 021A | 60   | 1296 304 131 | 146.442        | DAF          | 021A | 26   | 1296 328 002 | See            | 1296 333 022 |      |      |
| 1296 303 036 | 146.444        | MAN          | 006A | 59   | 1296 304 135 | <b>119.125</b> | MB           | 002A | 41   | 1296 332 005 | 107.164        | MAN          | 006B | 2    |
| 1296 303 036 | 146.444        | IVE          | 011A | 59   | 1296 304 135 | <b>119.125</b> | MAN          | 005A | 41   | 1296 332 005 | 107.164        | MAN          | 007B | 2    |
| 1296 303 036 | 146.444        | RVI          | 015A | 59   | 1296 304 135 | <b>119.125</b> | IVE          | 009A | 41   | 1296 332 005 | 107.164        | IVE          | 011B | 2    |
| 1296 303 036 | 146.444        | DAF          | 021A | 59   | 1296 304 135 | <b>119.125</b> | RVI          | 014A | 41   | 1296 332 005 | 107.164        | IVE          | 012B | 2    |
| 1296 303 037 | 146.443        | MAN          | 006A | 58   | 1296 304 135 | <b>119.125</b> | DAF          | 019A | 41   | 1296 332 005 | 107.164        | RVI          | 015B | 2    |
| 1296 303 037 | 146.443        | IVE          | 011A | 58   | 1296 304 135 | <b>119.125</b> | VOL          | 024A | 41   | 1296 332 005 | 107.164        | RVI          | 016B | 2    |
| 1296 303 037 | 146.443        | RVI          | 015A | 58   | 1296 312 001 |                | MB           | 002B | 34   | 1296 332 005 | 107.164        | DAF          | 021B | 2    |
| 1296 303 037 | 146.443        | DAF          | 021A | 58   | 1296 312 001 |                | DAF          | 019B | 34   | 1296 332 005 | 107.164        | DAF          | 022B | 2    |
| 1296 304 070 | 145.499        | MB           | 002A | 39   | 1296 312 001 |                | DAF          | 020B | 35   | 1296 333 002 | <b>157.113</b> | MB           | 001B | 17   |
| 1296 304 070 | 145.499        | DAF          | 019A | 39   | 1296 312 005 | See            | 1296 312 053 |      |      | 1296 333 002 | <b>157.113</b> | MB           | 002B | 17   |
| 1296 304 070 | 145.499        | DAF          | 020A | 41   | 1296 312 016 | See            | 1296 312 042 |      |      | 1296 333 002 | <b>157.113</b> | MAN          | 004B | 17   |
| 1296 304 071 | 145.537        | MB           | 002A | 39   | 1296 312 042 | 132.046        | MB           | 001B | 35   | 1296 333 002 | <b>157.113</b> | MAN          | 005B | 17   |
| 1296 304 071 | 145.537        | DAF          | 019A | 39   | 1296 312 042 | 132.046        | MB           | 002B | 35   | 1296 333 002 | <b>157.113</b> | IVE          | 009B | 17   |
| 1296 304 087 | <b>145.494</b> | MB           | 002A | 35   | 1296 312 042 | 132.046        | MB           | 003B | 35   | 1296 333 002 | <b>157.113</b> | IVE          | 010B | 17   |
| 1296 304 087 | <b>145.494</b> | DAF          | 019A | 35   | 1296 312 042 | 132.046        | MAN          | 004B | 35   | 1296 333 002 | <b>157.113</b> | RVI          | 014B | 17   |
| 1296 304 087 | <b>145.494</b> | DAF          | 020A | 37   | 1296 312 042 | 132.046        | MAN          | 005B | 35   | 1296 333 002 | <b>157.113</b> | DAF          | 018B | 17   |
| 1296 304 088 | 145.536        | MB           | 002A | 35   | 1296 312 042 | 132.046        | MAN          | 006B | 35   | 1296 333 002 | <b>157.113</b> | DAF          | 019B | 17   |
| 1296 304 088 | 145.536        | DAF          | 019A | 35   | 1296 312 042 | 132.046        | IVE          | 009B | 35   | 1296 333 002 | <b>157.113</b> | DAF          | 020B | 17   |
| 1296 304 090 | <b>146.362</b> | MB           | 002A | 30   | 1296 312 042 | 132.046        | IVE          | 010B | 36   | 1296 333 002 | <b>157.113</b> | VOL          | 024B | 17   |
| 1296 304 090 | <b>146.362</b> | DAF          | 019A | 30   | 1296 312 042 | 132.046        | IVE          | 011B | 35   | 1296 333 002 | <b>157.113</b> | VOL          | 025B | 17   |
| 1296 304 090 | <b>146.362</b> | DAF          | 020A | 30   | 1296 312 042 | 132.046        | RVI          | 014B | 35   | 1296 333 011 | See            | 1296 333 023 |      |      |
| 1296 304 091 | 146.448        | MB           | 002A | 30   | 1296 312 042 | 132.046        | RVI          | 015B | 35   | 1296 333 015 | See            | 1296 333 002 |      |      |
| 1296 304 091 | 146.448        | DAF          | 019A | 30   | 1296 312 042 | 132.046        | DAF          | 018B | 35   | 1296 333 022 | <b>119.085</b> | MB           | 001B | 16   |
| 1296 304 097 | 147.136        | MB           | 002A | 49   | 1296 312 042 | 132.046        | DAF          | 019B | 35   | 1296 333 022 | <b>119.085</b> | MB           | 002B | 16   |
| 1296 304 097 | 147.136        | DAF          | 019A | 49   | 1296 312 042 | 132.046        | DAF          | 020B | 36   | 1296 333 022 | <b>119.085</b> | MB           | 003B | 15   |
| 1296 304 097 | 147.136        | DAF          | 020A | 52   | 1296 312 042 | 132.046        | DAF          | 021B | 35   | 1296 333 022 | <b>119.085</b> | MAN          | 004B | 16   |
| 1296 304 098 | 147.151        | MB           | 002A | 49   | 1296 312 042 | 132.046        | VOL          | 024B | 35   | 1296 333 022 | <b>119.085</b> | MAN          | 005B | 16   |
| 1296 304 098 | 147.151        | DAF          | 019A | 49   | 1296 312 042 | 132.046        | VOL          | 025B | 36   | 1296 333 022 | <b>119.085</b> | MAN          | 006B | 15   |
| 1296 304 099 | 145.505        | MB           | 002A | 45   | 1296 312 047 | See            | 1296 312 053 |      |      | 1296 333 022 | <b>119.085</b> | MAN          | 007B | 15   |
| 1296 304 099 | 145.505        | DAF          | 019A | 45   | 1296 312 053 | 189.421        | MB           | 001B | 37   | 1296 333 022 | <b>119.085</b> | MAN          | 008B | 18   |
| 1296 304 099 | 145.505        | DAF          | 020A | 48   | 1296 312 053 | 189.421        | MB           | 002B | 37   | 1296 333 022 | <b>119.085</b> | IVE          | 009B | 16   |

Date

03 / 2006

Table

Index

| Ref. ZF      | Ref. CEI | OEM Tav.     | Fig.    | Ref. ZF      | Ref. CEI | OEM Tav. | Fig.    | Ref. ZF      | Ref. CEI | OEM Tav. | Fig.    |
|--------------|----------|--------------|---------|--------------|----------|----------|---------|--------------|----------|----------|---------|
| 1296 333 022 | 119.085  | VE           | 010B 16 | 1296 333 045 | 119.172  | MB       | 001B 16 | 1296 333 050 | 109.174  | VE       | 011B 53 |
| 1296 333 022 | 119.085  | VE           | 011B 15 | 1296 333 045 | 119.172  | MB       | 002B 16 | 1296 333 050 | 109.174  | VE       | 012B 55 |
| 1296 333 022 | 119.085  | VE           | 012B 15 | 1296 333 045 | 119.172  | MB       | 003B 15 | 1296 333 050 | 109.174  | VE       | 013B 17 |
| 1296 333 022 | 119.085  | VE           | 013B 18 | 1296 333 045 | 119.172  | MAN      | 004B 16 | 1296 333 050 | 109.174  | RVI      | 014B 54 |
| 1296 333 022 | 119.085  | RVI          | 014B 16 | 1296 333 045 | 119.172  | MAN      | 005B 16 | 1296 333 050 | 109.174  | RVI      | 015B 53 |
| 1296 333 022 | 119.085  | RVI          | 015B 15 | 1296 333 045 | 119.172  | MAN      | 006B 15 | 1296 333 050 | 109.174  | RVI      | 016B 55 |
| 1296 333 022 | 119.085  | RVI          | 016B 15 | 1296 333 045 | 119.172  | MAN      | 007B 15 | 1296 333 050 | 109.174  | RVI      | 017B 17 |
| 1296 333 022 | 119.085  | RVI          | 017B 18 | 1296 333 045 | 119.172  | MAN      | 008B 18 | 1296 333 050 | 109.174  | DAF      | 018B 52 |
| 1296 333 022 | 119.085  | DAF          | 018B 16 | 1296 333 045 | 119.172  | VE       | 009B 16 | 1296 333 050 | 109.174  | DAF      | 019B 54 |
| 1296 333 022 | 119.085  | DAF          | 019B 16 | 1296 333 045 | 119.172  | VE       | 010B 16 | 1296 333 050 | 109.174  | DAF      | 020B 54 |
| 1296 333 022 | 119.085  | DAF          | 020B 16 | 1296 333 045 | 119.172  | VE       | 011B 15 | 1296 333 050 | 109.174  | DAF      | 021B 53 |
| 1296 333 022 | 119.085  | DAF          | 021B 15 | 1296 333 045 | 119.172  | VE       | 012B 15 | 1296 333 050 | 109.174  | DAF      | 022B 55 |
| 1296 333 022 | 119.085  | DAF          | 022B 15 | 1296 333 045 | 119.172  | VE       | 013B 18 | 1296 333 050 | 109.174  | DAF      | 023B 17 |
| 1296 333 022 | 119.085  | DAF          | 023B 18 | 1296 333 045 | 119.172  | RVI      | 014B 16 | 1296 333 050 | 109.174  | VOL      | 024B 54 |
| 1296 333 022 | 119.085  | VOL          | 024B 16 | 1296 333 045 | 119.172  | RVI      | 015B 15 | 1296 333 050 | 109.174  | VOL      | 025B 54 |
| 1296 333 022 | 119.085  | VOL          | 025B 16 | 1296 333 045 | 119.172  | RVI      | 016B 15 | 1296 334 004 | 141.085  | MB       | 001B 41 |
| 1296 333 023 | 154.098  | MB           | 001B 21 | 1296 333 045 | 119.172  | RVI      | 017B 18 | 1296 334 004 | 141.085  | MB       | 002B 41 |
| 1296 333 023 | 154.098  | MB           | 002B 21 | 1296 333 045 | 119.172  | DAF      | 018B 16 | 1296 334 004 | 141.085  | MB       | 003B 41 |
| 1296 333 023 | 154.098  | MB           | 003B 20 | 1296 333 045 | 119.172  | DAF      | 019B 16 | 1296 334 004 | 141.085  | MAN      | 004B 41 |
| 1296 333 023 | 154.098  | MAN          | 004B 21 | 1296 333 045 | 119.172  | DAF      | 020B 16 | 1296 334 004 | 141.085  | MAN      | 005B 41 |
| 1296 333 023 | 154.098  | MAN          | 005B 21 | 1296 333 045 | 119.172  | DAF      | 021B 15 | 1296 334 004 | 141.085  | MAN      | 006B 41 |
| 1296 333 023 | 154.098  | MAN          | 006B 20 | 1296 333 045 | 119.172  | DAF      | 022B 15 | 1296 334 004 | 141.085  | MAN      | 007B 39 |
| 1296 333 023 | 154.098  | MAN          | 007B 20 | 1296 333 045 | 119.172  | DAF      | 023B 18 | 1296 334 004 | 141.085  | MAN      | 008B 41 |
| 1296 333 023 | 154.098  | MAN          | 008B 23 | 1296 333 045 | 119.172  | VOL      | 024B 16 | 1296 334 004 | 141.085  | VE       | 009B 41 |
| 1296 333 023 | 154.098  | VE           | 009B 21 | 1296 333 045 | 119.172  | VOL      | 025B 16 | 1296 334 004 | 141.085  | VE       | 010B 42 |
| 1296 333 023 | 154.098  | VE           | 010B 21 | 1296 333 046 | 135.122  | MAN      | 007B 54 | 1296 334 004 | 141.085  | VE       | 011B 41 |
| 1296 333 023 | 154.098  | VE           | 011B 20 | 1296 333 046 | 135.122  | MAN      | 008B 15 | 1296 334 004 | 141.085  | VE       | 012B 39 |
| 1296 333 023 | 154.098  | VE           | 012B 20 | 1296 333 046 | 135.122  | VE       | 012B 54 | 1296 334 004 | 141.085  | VE       | 013B 41 |
| 1296 333 023 | 154.098  | VE           | 013B 23 | 1296 333 046 | 135.122  | VE       | 013B 15 | 1296 334 004 | 141.085  | RVI      | 014B 41 |
| 1296 333 023 | 154.098  | RVI          | 014B 21 | 1296 333 046 | 135.122  | RVI      | 016B 54 | 1296 334 004 | 141.085  | RVI      | 015B 41 |
| 1296 333 023 | 154.098  | RVI          | 015B 20 | 1296 333 046 | 135.122  | RVI      | 017B 15 | 1296 334 004 | 141.085  | RVI      | 016B 39 |
| 1296 333 023 | 154.098  | RVI          | 016B 20 | 1296 333 046 | 135.122  | DAF      | 022B 54 | 1296 334 004 | 141.085  | RVI      | 017B 41 |
| 1296 333 023 | 154.098  | RVI          | 017B 23 | 1296 333 046 | 135.122  | DAF      | 023B 15 | 1296 334 004 | 141.085  | DAF      | 018B 41 |
| 1296 333 023 | 154.098  | DAF          | 018B 21 | 1296 333 050 | 109.174  | MB       | 001B 52 | 1296 334 004 | 141.085  | DAF      | 019B 41 |
| 1296 333 023 | 154.098  | DAF          | 019B 21 | 1296 333 050 | 109.174  | MB       | 002B 54 | 1296 334 004 | 141.085  | DAF      | 020B 42 |
| 1296 333 023 | 154.098  | DAF          | 020B 21 | 1296 333 050 | 109.174  | MB       | 003B 53 | 1296 334 004 | 141.085  | DAF      | 021B 41 |
| 1296 333 023 | 154.098  | DAF          | 021B 20 | 1296 333 050 | 109.174  | MAN      | 004B 52 | 1296 334 004 | 141.085  | DAF      | 022B 39 |
| 1296 333 023 | 154.098  | DAF          | 022B 20 | 1296 333 050 | 109.174  | MAN      | 005B 54 | 1296 334 004 | 141.085  | DAF      | 023B 41 |
| 1296 333 023 | 154.098  | DAF          | 023B 23 | 1296 333 050 | 109.174  | MAN      | 006B 53 | 1296 334 004 | 141.085  | VOL      | 024B 41 |
| 1296 333 023 | 154.098  | VOL          | 024B 21 | 1296 333 050 | 109.174  | MAN      | 007B 55 | 1296 334 004 | 141.085  | VOL      | 025B 42 |
| 1296 333 023 | 154.098  | VOL          | 025B 21 | 1296 333 050 | 109.174  | MAN      | 008B 17 | 1296 334 039 | 189.422  | MB       | 001B 44 |
| 1296 333 039 | See      | 1296 333 046 |         | 1296 333 050 | 109.174  | VE       | 009B 54 | 1296 334 039 | 189.422  | MB       | 002B 44 |
| 1296 333 044 | See      | 1296 333 045 |         | 1296 333 050 | 109.174  | VE       | 010B 54 | 1296 334 039 | 189.422  | MB       | 003B 43 |

All original equipment manufacturers numbers, symbols, pictures, models and description used in this catalogue are for reference only, and it is not implied that any part listed is the product of these manufacturers.  
Tutti i nostri particolari non sono originali ma con essi intercambiabili. I riferimenti originali, le figure, i modelli sono esposti a semplice titolo indicativo. La nostra produzione riporta il nostro marchio.

ZF references index  
Indice riferimenti ZF

Date

03 / 2006

Table

Index

# ZF Index

| Ref. ZF      | Ref. CEI | OEM          | Tav. | Fig. | Ref. ZF      | Ref. CEI | OEM | Tav. | Fig. | Ref. ZF      | Ref. CEI | OEM | Tav. | Fig. |
|--------------|----------|--------------|------|------|--------------|----------|-----|------|------|--------------|----------|-----|------|------|
| 1296 334 039 | 189.422  | MAN          | 004B | 44   | 1297 202 053 | 102.223  | MB  | 002A | 11   | 1297 206 172 |          | MB  | 001B | 32   |
| 1296 334 039 | 189.422  | MAN          | 005B | 44   | 1297 202 054 |          | VOL | 024A | 11   | 1297 206 172 |          | MAN | 004B | 32   |
| 1296 334 039 | 189.422  | MAN          | 006B | 43   | 1297 202 054 |          | VOL | 025A | 11   | 1297 206 172 |          | DAF | 018B | 32   |
| 1296 334 039 | 189.422  | MAN          | 007B | 43   | 1297 202 061 |          | MB  | 002A | 11   | 1297 206 173 |          | MB  | 001B | 32   |
| 1296 334 039 | 189.422  | MAN          | 008B | 45   | 1297 202 061 |          | MAN | 005A | 11   | 1297 206 173 |          | MAN | 004B | 32   |
| 1296 334 039 | 189.422  | IVE          | 009B | 44   | 1297 206 076 |          | MB  | 001B | 31   | 1297 206 173 |          | DAF | 018B | 32   |
| 1296 334 039 | 189.422  | IVE          | 010B | 45   | 1297 206 076 |          | MAN | 004B | 31   | 1297 206 174 |          | MB  | 002B | 32   |
| 1296 334 039 | 189.422  | IVE          | 011B | 43   | 1297 206 076 |          | DAF | 018B | 31   | 1297 206 174 |          | MAN | 005B | 32   |
| 1296 334 039 | 189.422  | IVE          | 012B | 43   | 1297 206 077 |          | MB  | 001B | 30   | 1297 206 174 |          | IVE | 009B | 32   |
| 1296 334 039 | 189.422  | IVE          | 013B | 45   | 1297 206 077 |          | MAN | 004B | 30   | 1297 206 174 |          | IVE | 010B | 32   |
| 1296 334 039 | 189.422  | RVI          | 014B | 44   | 1297 206 077 |          | DAF | 018B | 30   | 1297 206 174 |          | DAF | 019B | 32   |
| 1296 334 039 | 189.422  | RVI          | 015B | 43   | 1297 206 082 |          | MB  | 001B | 31   | 1297 206 174 |          | DAF | 020B | 32   |
| 1296 334 039 | 189.422  | RVI          | 016B | 43   | 1297 206 082 |          | MAN | 004B | 31   | 1297 206 174 |          | VOL | 024B | 32   |
| 1296 334 039 | 189.422  | RVI          | 017B | 45   | 1297 206 082 |          | DAF | 018B | 31   | 1297 206 174 |          | VOL | 025B | 32   |
| 1296 334 039 | 189.422  | DAF          | 018B | 44   | 1297 206 083 |          | MB  | 001B | 30   | 1297 206 175 |          | MB  | 002B | 32   |
| 1296 334 039 | 189.422  | DAF          | 019B | 44   | 1297 206 083 |          | MAN | 004B | 30   | 1297 206 175 |          | MAN | 005B | 32   |
| 1296 334 039 | 189.422  | DAF          | 020B | 45   | 1297 206 083 |          | DAF | 018B | 30   | 1297 206 175 |          | IVE | 009B | 32   |
| 1296 334 039 | 189.422  | DAF          | 021B | 43   | 1297 206 103 |          | MB  | 002B | 30   | 1297 206 175 |          | DAF | 019B | 32   |
| 1296 334 039 | 189.422  | DAF          | 022B | 43   | 1297 206 103 |          | MAN | 005B | 30   | 1297 206 175 |          | VOL | 024B | 32   |
| 1296 334 039 | 189.422  | DAF          | 023B | 45   | 1297 206 103 |          | IVE | 009B | 30   | 1297 206 181 |          | MB  | 002B | 32   |
| 1296 334 039 | 189.422  | VOL          | 024B | 44   | 1297 206 103 |          | IVE | 010B | 30   | 1297 206 181 |          | MAN | 005B | 32   |
| 1296 334 039 | 189.422  | VOL          | 025B | 45   | 1297 206 103 |          | DAF | 019B | 30   | 1297 206 181 |          | IVE | 009B | 32   |
| 1296 334 046 | See      | 1295 334 075 |      |      | 1297 206 103 |          | DAF | 020B | 30   | 1297 206 181 |          | DAF | 019B | 32   |
| 1297 202 003 |          | VOL          | 024A | 11   | 1297 206 103 |          | VOL | 024B | 30   | 1297 206 184 |          | MB  | 001B | 32   |
| 1297 202 004 | 102.245  | DAF          | 018A | 15   | 1297 206 103 |          | VOL | 025B | 30   | 1297 206 184 |          | MAN | 004B | 32   |
| 1297 202 004 | 102.245  | DAF          | 019A | 11   | 1297 206 104 |          | MB  | 002B | 30   | 1297 206 184 |          | DAF | 018B | 32   |
| 1297 202 008 | 102.247  | MAN          | 004A | 15   | 1297 206 104 |          | MAN | 005B | 30   | 1297 206 191 |          | MB  | 002B | 31   |
| 1297 202 008 | 102.247  | MAN          | 005A | 11   | 1297 206 104 |          | IVE | 009B | 30   | 1297 206 191 |          | MAN | 005B | 31   |
| 1297 202 009 | 102.236  | IVE          | 009A | 11   | 1297 206 104 |          | DAF | 019B | 30   | 1297 206 191 |          | IVE | 009B | 31   |
| 1297 202 009 | 102.236  | IVE          | 010A | 11   | 1297 206 104 |          | VOL | 024B | 30   | 1297 206 191 |          | DAF | 019B | 31   |
| 1297 202 011 | 102.235  | MAN          | 004A | 15   | 1297 206 105 |          | MB  | 002B | 31   | 1297 206 192 |          | MB  | 002B | 30   |
| 1297 202 011 | 102.235  | MAN          | 005A | 11   | 1297 206 105 |          | MAN | 005B | 31   | 1297 206 192 |          | MAN | 005B | 30   |
| 1297 202 024 | See      | 1297 202 004 |      |      | 1297 206 105 |          | IVE | 009B | 31   | 1297 206 192 |          | IVE | 009B | 30   |
| 1297 202 030 | 102.233  | MB           | 002A | 11   | 1297 206 105 |          | DAF | 019B | 31   | 1297 206 192 |          | DAF | 019B | 30   |
| 1297 202 044 | 102.237  | MB           | 002A | 19   | 1297 206 105 |          | VOL | 024B | 31   | 1297 221 005 |          | MB  | 002A | 11   |
| 1297 202 044 | 102.237  | MAN          | 005A | 19   | 1297 206 106 |          | MB  | 002B | 31   | 1297 221 006 |          | MB  | 002A | 11   |
| 1297 202 044 | 102.237  | IVE          | 009A | 19   | 1297 206 106 |          | MAN | 005B | 31   | 1297 221 006 |          | MAN | 005A | 11   |
| 1297 202 044 | 102.237  | IVE          | 010A | 19   | 1297 206 106 |          | IVE | 009B | 31   | 1297 221 008 |          | MAN | 005A | 11   |
| 1297 202 045 |          | MAN          | 004A | 15   | 1297 206 106 |          | IVE | 010B | 31   | 1297 221 008 |          | DAF | 020A | 11   |
| 1297 202 045 |          | MAN          | 005A | 11   | 1297 206 106 |          | DAF | 019B | 31   | 1297 221 009 |          | MB  | 002A | 11   |
| 1297 202 052 | 102.246  | DAF          | 019A | 11   | 1297 206 106 |          | DAF | 020B | 31   | 1297 221 009 |          | IVE | 009A | 11   |
| 1297 202 052 | 102.246  | DAF          | 020A | 11   | 1297 206 106 |          | VOL | 024B | 31   | 1297 221 010 |          | MAN | 005A | 11   |
| 1297 202 053 | 102.223  | MB           | 001A | 15   | 1297 206 106 |          | VOL | 025B | 31   | 1297 232 023 | 198.803  | MB  | 001B | 8    |

All original equipment manufacturers' numbers, symbols, pictures, models and description used in this catalogue are for reference only, and it is not implied that any part listed is the product of these manufactures. Tutti i nostri particolari non sono originali ma con essi intercambiabili. I riferimenti originali, le figure, i modelli sono esposti a semplice titolo indicativo. La nostra produzione riporta il nostro marchio.

Date

03 / 2006

Table

Index

| Ref. ZF      | Ref. CEI       | OEM Tav.     | Fig. | Ref. ZF | Ref. CEI     | OEM Tav.       | Fig.         | Ref. ZF | Ref. CEI | OEM Tav.     | Fig.           |     |      |    |
|--------------|----------------|--------------|------|---------|--------------|----------------|--------------|---------|----------|--------------|----------------|-----|------|----|
| 1297 232 023 | <b>198.803</b> | MB           | 002B | 8       | 1297 232 039 | <b>190.396</b> | VOL          | 024B    | 1        | 1297 298 912 | <b>198.704</b> | DAF | 019B | 9  |
| 1297 232 023 | <b>198.803</b> | MB           | 003B | 8       | 1297 232 039 | <b>190.396</b> | VOL          | 025B    | 1        | 1297 298 912 | <b>198.704</b> | DAF | 020B | 9  |
| 1297 232 023 | <b>198.803</b> | MAN          | 004B | 8       | 1297 232 045 | <i>190.395</i> | MB           | 001B    | 1        | 1297 298 912 | <b>198.704</b> | VOL | 024B | 9  |
| 1297 232 023 | <b>198.803</b> | MAN          | 005B | 8       | 1297 232 045 | <i>190.395</i> | MB           | 002B    | 1        | 1297 298 912 | <b>198.704</b> | VOL | 025B | 9  |
| 1297 232 023 | <b>198.803</b> | MAN          | 006B | 8       | 1297 232 045 | <i>190.395</i> | MB           | 002B    | 1        | 1297 298 919 |                | MB  | 001B | 9  |
| 1297 232 023 | <b>198.803</b> | IVE          | 009B | 8       | 1297 232 045 | <i>190.395</i> | MAN          | 004B    | 1        | 1297 298 919 |                | MB  | 002B | 9  |
| 1297 232 023 | <b>198.803</b> | IVE          | 010B | 8       | 1297 232 045 | <i>190.395</i> | MAN          | 005B    | 1        | 1297 298 919 |                | MAN | 004B | 9  |
| 1297 232 023 | <b>198.803</b> | IVE          | 011B | 8       | 1297 232 045 | <i>190.395</i> | MAN          | 005B    | 1        | 1297 298 919 |                | MAN | 005B | 9  |
| 1297 232 023 | <b>198.803</b> | DAF          | 018B | 8       | 1297 232 045 | <i>190.395</i> | IVE          | 009B    | 1        | 1297 298 919 |                | IVE | 009B | 9  |
| 1297 232 023 | <b>198.803</b> | DAF          | 019B | 8       | 1297 232 045 | <i>190.395</i> | IVE          | 009B    | 1        | 1297 298 919 |                | IVE | 010B | 9  |
| 1297 232 023 | <b>198.803</b> | DAF          | 020B | 8       | 1297 232 045 | <i>190.395</i> | IVE          | 010B    | 1        | 1297 298 919 |                | DAF | 018B | 9  |
| 1297 232 023 | <b>198.803</b> | DAF          | 021B | 8       | 1297 232 045 | <i>190.395</i> | RVI          | 014B    | 1        | 1297 298 919 |                | DAF | 019B | 9  |
| 1297 232 023 | <b>198.803</b> | VOL          | 024B | 8       | 1297 232 045 | <i>190.395</i> | DAF          | 018B    | 1        | 1297 298 919 |                | DAF | 020B | 9  |
| 1297 232 023 | <b>198.803</b> | VOL          | 025B | 8       | 1297 232 045 | <i>190.395</i> | DAF          | 019B    | 1        | 1297 298 919 |                | VOL | 024B | 9  |
| 1297 232 024 | <b>198.810</b> | MB           | 001B | 8       | 1297 232 045 | <i>190.395</i> | DAF          | 019B    | 1        | 1297 298 919 |                | VOL | 025B | 9  |
| 1297 232 024 | <b>198.810</b> | MB           | 002B | 8       | 1297 232 045 | <i>190.395</i> | DAF          | 020B    | 1        | 1297 301 004 |                | MB  | 001A | 47 |
| 1297 232 024 | <b>198.810</b> | MB           | 002B | 8       | 1297 232 045 | <i>190.395</i> | DAF          | 020B    | 1        | 1297 301 004 |                | MB  | 002A | 55 |
| 1297 232 024 | <b>198.810</b> | MAN          | 004B | 8       | 1297 232 045 | <i>190.395</i> | VOL          | 024B    | 1        | 1297 301 004 |                | MB  | 002A | 55 |
| 1297 232 024 | <b>198.810</b> | MAN          | 005B | 8       | 1297 232 045 | <i>190.395</i> | VOL          | 024B    | 1        | 1297 301 004 |                | MAN | 004A | 47 |
| 1297 232 024 | <b>198.810</b> | MAN          | 005B | 8       | 1297 232 045 | <i>190.395</i> | VOL          | 025B    | 1        | 1297 301 004 |                | MAN | 005A | 55 |
| 1297 232 024 | <b>198.810</b> | IVE          | 009B | 8       | 1297 233 018 | See            | 1313 233 001 |         |          | 1297 301 004 |                | MAN | 005A | 55 |
| 1297 232 024 | <b>198.810</b> | IVE          | 009B | 8       | 1297 233 056 | <b>198.790</b> | MB           | 002B    | 22       | 1297 301 004 |                | IVE | 009A | 55 |
| 1297 232 024 | <b>198.810</b> | IVE          | 010B | 8       | 1297 233 056 | <b>198.790</b> | MB           | 003B    | 21       | 1297 301 004 |                | IVE | 009A | 55 |
| 1297 232 024 | <b>198.810</b> | RVI          | 014B | 8       | 1297 233 056 | <b>198.790</b> | MAN          | 005B    | 22       | 1297 301 004 |                | IVE | 010A | 58 |
| 1297 232 024 | <b>198.810</b> | DAF          | 018B | 8       | 1297 233 056 | <b>198.790</b> | MAN          | 006B    | 21       | 1297 301 004 |                | RVI | 014A | 55 |
| 1297 232 024 | <b>198.810</b> | DAF          | 019B | 8       | 1297 233 056 | <b>198.790</b> | MAN          | 007B    | 21       | 1297 301 004 |                | DAF | 018A | 47 |
| 1297 232 024 | <b>198.810</b> | DAF          | 019B | 8       | 1297 233 056 | <b>198.790</b> | IVE          | 009B    | 22       | 1297 301 004 |                | DAF | 019A | 55 |
| 1297 232 024 | <b>198.810</b> | DAF          | 020B | 8       | 1297 233 056 | <b>198.790</b> | IVE          | 010B    | 22       | 1297 301 004 |                | DAF | 019A | 55 |
| 1297 232 024 | <b>198.810</b> | DAF          | 020B | 8       | 1297 233 056 | <b>198.790</b> | IVE          | 011B    | 21       | 1297 301 004 |                | DAF | 020A | 58 |
| 1297 232 024 | <b>198.810</b> | VOL          | 024B | 8       | 1297 233 056 | <b>198.790</b> | IVE          | 012B    | 21       | 1297 301 004 |                | DAF | 020A | 58 |
| 1297 232 024 | <b>198.810</b> | VOL          | 024B | 8       | 1297 233 056 | <b>198.790</b> | RVI          | 016B    | 21       | 1297 301 004 |                | VOL | 024A | 55 |
| 1297 232 024 | <b>198.810</b> | VOL          | 025B | 8       | 1297 233 056 | <b>198.790</b> | DAF          | 019B    | 22       | 1297 301 004 |                | VOL | 024A | 55 |
| 1297 232 026 | See            | 1297 232 045 |      |         | 1297 233 056 | <b>198.790</b> | DAF          | 021B    | 21       | 1297 301 004 |                | VOL | 025A | 58 |
| 1297 232 027 | See            | 1297 232 039 |      |         | 1297 233 056 | <b>198.790</b> | DAF          | 022B    | 21       | 1297 302 011 |                | DAF | 019A | 1  |
| 1297 232 039 | <b>190.396</b> | MB           | 001B | 1       | 1297 234 014 | See            | 1295 334 075 |         |          | 1297 302 011 |                | DAF | 020A | 1  |
| 1297 232 039 | <b>190.396</b> | MB           | 002B | 1       | 1297 234 017 | See            | 1295 334 075 |         |          | 1297 302 012 |                | MB  | 002A | 1  |
| 1297 232 039 | <b>190.396</b> | MAN          | 004B | 1       | 1297 298 912 | <b>198.704</b> | MB           | 001B    | 9        | 1297 302 013 |                | MAN | 005A | 1  |
| 1297 232 039 | <b>190.396</b> | MAN          | 005B | 1       | 1297 298 912 | <b>198.704</b> | MB           | 002B    | 9        | 1297 302 013 |                | IVE | 009A | 1  |
| 1297 232 039 | <b>190.396</b> | IVE          | 009B | 1       | 1297 298 912 | <b>198.704</b> | MAN          | 004B    | 9        | 1297 302 013 |                | DAF | 018A | 1  |
| 1297 232 039 | <b>190.396</b> | IVE          | 010B | 1       | 1297 298 912 | <b>198.704</b> | MAN          | 005B    | 9        | 1297 302 013 |                | DAF | 019A | 1  |
| 1297 232 039 | <b>190.396</b> | DAF          | 018B | 1       | 1297 298 912 | <b>198.704</b> | IVE          | 009B    | 9        | 1297 302 018 |                | MB  | 001A | 1  |
| 1297 232 039 | <b>190.396</b> | DAF          | 019B | 1       | 1297 298 912 | <b>198.704</b> | IVE          | 010B    | 9        | 1297 302 019 |                | MAN | 004A | 1  |
| 1297 232 039 | <b>190.396</b> | DAF          | 020B | 1       | 1297 298 912 | <b>198.704</b> | DAF          | 018B    | 9        | 1297 302 025 |                | IVE | 010A | 1  |

All original equipment manufacturers numbers, symbols, pictures, models and description used in this catalogue are for reference only, and it is not implied that any part listed is the product of these manufacturers. Tutti i nostri particolari non sono originali ma con essi intercambiabili. I riferimenti originali, le figure, i modelli sono esposti a semplice titolo indicativo. La nostra produzione riporta il nostro marchio.

ZF references index  
Indice riferimenti ZF

Date

03 / 2006

Table

Index

# ZF Index

| Ref. ZF      | Ref. CEI       | OEM          | Tav. | Fig. | Ref. ZF      | Ref. CEI       | OEM          | Tav. | Fig. | Ref. ZF      | Ref. CEI       | OEM          | Tav. | Fig. |
|--------------|----------------|--------------|------|------|--------------|----------------|--------------|------|------|--------------|----------------|--------------|------|------|
| 1297 302 042 |                | MB           | 002A | 1    | 1297 302 241 | <b>145.407</b> | IVE          | 009A | 8    | 1297 303 065 | <b>146.381</b> | MAN          | 005A | 59   |
| 1297 302 042 |                | MAN          | 005A | 1    | 1297 302 241 | <b>145.407</b> | IVE          | 010A | 8    | 1297 303 065 | <b>146.381</b> | IVE          | 009A | 59   |
| 1297 302 043 |                | IVE          | 009A | 1    | 1297 302 241 | <b>145.407</b> | DAF          | 019A | 8    | 1297 303 065 | <b>146.381</b> | IVE          | 010A | 62   |
| 1297 302 043 |                | IVE          | 010A | 1    | 1297 302 241 | <b>145.407</b> | DAF          | 020A | 8    | 1297 303 065 | <b>146.381</b> | DAF          | 018A | 51   |
| 1297 302 053 |                | MB           | 001A | 1    | 1297 302 241 | <b>145.407</b> | VOL          | 024A | 8    | 1297 303 065 | <b>146.381</b> | DAF          | 019A | 59   |
| 1297 302 070 | See            | 1297 302 177 |      |      | 1297 302 241 | <b>145.407</b> | VOL          | 025A | 8    | 1297 303 065 | <b>146.381</b> | DAF          | 020A | 62   |
| 1297 302 071 | See            | 1297 302 176 |      |      | 1297 302 250 | <b>145.405</b> | MB           | 001A | 12   | 1297 303 065 | <b>146.381</b> | VOL          | 024A | 59   |
| 1297 302 074 | <b>145.449</b> | MB           | 002A | 8    | 1297 302 250 | <b>145.405</b> | MB           | 002A | 8    | 1297 303 065 | <b>146.381</b> | VOL          | 025A | 62   |
| 1297 302 079 | See            | 1297 302 241 |      |      | 1297 302 250 | <b>145.405</b> | MAN          | 004A | 12   | 1297 303 066 | <b>146.322</b> | MB           | 001A | 50   |
| 1297 302 082 |                | VOL          | 024A | 1    | 1297 302 250 | <b>145.405</b> | MAN          | 005A | 8    | 1297 303 066 | <b>146.322</b> | MB           | 002A | 58   |
| 1297 302 082 |                | VOL          | 025A | 1    | 1297 302 250 | <b>145.405</b> | IVE          | 009A | 8    | 1297 303 066 | <b>146.322</b> | MAN          | 004A | 50   |
| 1297 302 107 |                | IVE          | 009A | 1    | 1297 302 250 | <b>145.405</b> | IVE          | 010A | 8    | 1297 303 066 | <b>146.322</b> | MAN          | 005A | 58   |
| 1297 302 108 |                | IVE          | 009A | 1    | 1297 302 250 | <b>145.405</b> | DAF          | 018A | 12   | 1297 303 066 | <b>146.322</b> | IVE          | 009A | 58   |
| 1297 302 111 | See            | 1297 302 250 |      |      | 1297 302 250 | <b>145.405</b> | DAF          | 019A | 8    | 1297 303 066 | <b>146.322</b> | IVE          | 010A | 61   |
| 1297 302 169 |                | IVE          | 009A | 1    | 1297 302 250 | <b>145.405</b> | DAF          | 020A | 8    | 1297 303 066 | <b>146.322</b> | DAF          | 018A | 50   |
| 1297 302 171 |                | MB           | 002A | 23   | 1297 302 250 | <b>145.405</b> | VOL          | 024A | 8    | 1297 303 066 | <b>146.322</b> | DAF          | 019A | 58   |
| 1297 302 171 |                | IVE          | 009A | 23   | 1297 302 250 | <b>145.405</b> | VOL          | 025A | 8    | 1297 303 066 | <b>146.322</b> | DAF          | 020A | 61   |
| 1297 302 176 | <b>145.406</b> | MB           | 001A | 12   | 1297 303 009 | See            | 1297 303 067 |      |      | 1297 303 066 | <b>146.322</b> | VOL          | 024A | 58   |
| 1297 302 176 | <b>145.406</b> | MB           | 002A | 8    | 1297 303 010 | See            | 1297 303 073 |      |      | 1297 303 066 | <b>146.322</b> | VOL          | 025A | 61   |
| 1297 302 176 | <b>145.406</b> | MAN          | 004A | 12   | 1297 303 021 | See            | 1297 303 077 |      |      | 1297 303 067 | <b>146.421</b> | MB           | 002A | 60   |
| 1297 302 176 | <b>145.406</b> | MAN          | 005A | 8    | 1297 303 022 | See            | 1297 303 077 |      |      | 1297 303 067 | <b>146.421</b> | MAN          | 005A | 60   |
| 1297 302 176 | <b>145.406</b> | IVE          | 009A | 8    | 1297 303 023 | See            | 1297 303 081 |      |      | 1297 303 067 | <b>146.421</b> | IVE          | 009A | 60   |
| 1297 302 176 | <b>145.406</b> | IVE          | 010A | 8    | 1297 303 025 | See            | 1297 303 072 |      |      | 1297 303 067 | <b>146.421</b> | IVE          | 010A | 63   |
| 1297 302 176 | <b>145.406</b> | DAF          | 018A | 12   | 1297 303 026 | See            | 1297 303 065 |      |      | 1297 303 067 | <b>146.421</b> | DAF          | 019A | 60   |
| 1297 302 176 | <b>145.406</b> | DAF          | 019A | 8    | 1297 303 039 | See            | 1297 303 066 |      |      | 1297 303 067 | <b>146.421</b> | DAF          | 020A | 63   |
| 1297 302 176 | <b>145.406</b> | DAF          | 020A | 8    | 1297 303 040 | See            | 1297 303 074 |      |      | 1297 303 067 | <b>146.421</b> | VOL          | 024A | 60   |
| 1297 302 176 | <b>145.406</b> | VOL          | 024A | 8    | 1297 303 041 | See            | 1297 303 123 |      |      | 1297 303 067 | <b>146.421</b> | VOL          | 025A | 63   |
| 1297 302 176 | <b>145.406</b> | VOL          | 025A | 8    | 1297 303 042 | See            | 1297 303 132 |      |      | 1297 303 070 |                | MB           | 001A | 53   |
| 1297 302 177 | <b>145.466</b> | MB           | 001A | 12   | 1297 303 043 | See            | 1297 303 086 |      |      | 1297 303 070 |                | MAN          | 004A | 53   |
| 1297 302 177 | <b>145.466</b> | MB           | 002A | 8    | 1297 303 047 | <b>105.091</b> | MB           | 001A | 53   | 1297 303 071 | See            | 1297 303 114 |      |      |
| 1297 302 177 | <b>145.466</b> | MAN          | 004A | 12   | 1297 303 047 | <b>105.091</b> | MAN          | 004A | 53   | 1297 303 072 | <b>146.382</b> | MB           | 001A | 51   |
| 1297 302 177 | <b>145.466</b> | MAN          | 005A | 8    | 1297 303 047 | <b>105.091</b> | DAF          | 018A | 53   | 1297 303 072 | <b>146.382</b> | MB           | 002A | 59   |
| 1297 302 177 | <b>145.466</b> | IVE          | 009A | 8    | 1297 303 048 | <b>105.116</b> | MB           | 001A | 53   | 1297 303 072 | <b>146.382</b> | MAN          | 004A | 51   |
| 1297 302 177 | <b>145.466</b> | IVE          | 010A | 8    | 1297 303 048 | <b>105.116</b> | MAN          | 004A | 53   | 1297 303 072 | <b>146.382</b> | MAN          | 005A | 59   |
| 1297 302 177 | <b>145.466</b> | DAF          | 018A | 12   | 1297 303 048 | <b>105.116</b> | DAF          | 018A | 53   | 1297 303 072 | <b>146.382</b> | IVE          | 009A | 59   |
| 1297 302 177 | <b>145.466</b> | DAF          | 019A | 8    | 1297 303 050 | See            | 1297 303 097 |      |      | 1297 303 072 | <b>146.382</b> | IVE          | 010A | 62   |
| 1297 302 177 | <b>145.466</b> | DAF          | 020A | 8    | 1297 303 051 | See            | 1297 303 098 |      |      | 1297 303 072 | <b>146.382</b> | DAF          | 018A | 51   |
| 1297 302 177 | <b>145.466</b> | VOL          | 024A | 8    | 1297 303 053 | See            | 1297 303 140 |      |      | 1297 303 072 | <b>146.382</b> | DAF          | 019A | 59   |
| 1297 302 177 | <b>145.466</b> | VOL          | 025A | 8    | 1297 303 054 | See            | 1297 303 075 |      |      | 1297 303 072 | <b>146.382</b> | DAF          | 020A | 62   |
| 1297 302 238 |                | MAN          | 004A | 1    | 1297 303 064 | See            | 1297 303 140 |      |      | 1297 303 072 | <b>146.382</b> | VOL          | 024A | 59   |
| 1297 302 239 |                | MAN          | 005A | 1    | 1297 303 065 | <b>146.381</b> | MB           | 001A | 51   | 1297 303 072 | <b>146.382</b> | VOL          | 025A | 62   |
| 1297 302 241 | <b>145.407</b> | MB           | 002A | 8    | 1297 303 065 | <b>146.381</b> | MB           | 002A | 59   | 1297 303 073 | <b>146.357</b> | MB           | 002A | 60   |
| 1297 302 241 | <b>145.407</b> | MAN          | 005A | 8    | 1297 303 065 | <b>146.381</b> | MAN          | 004A | 51   | 1297 303 073 | <b>146.357</b> | MAN          | 005A | 60   |

Date

03 / 2006

Table

Index

| Ref. ZF      | Ref. CEI       | OEM Tav. Fig. | Ref. ZF      | Ref. CEI       | OEM Tav. Fig. | Ref. ZF      | Ref. CEI       | OEM Tav. Fig. |
|--------------|----------------|---------------|--------------|----------------|---------------|--------------|----------------|---------------|
| 1297 303 073 | <b>146.357</b> | IVE 009A 60   | 1297 303 097 | <b>146.415</b> | IVE 009A 59   | 1297 303 140 | <b>105.093</b> | VOL 025A 64   |
| 1297 303 073 | <b>146.357</b> | IVE 010A 63   | 1297 303 097 | <b>146.415</b> | IVE 010A 62   | 1297 304 016 | See            | 1297 304 269  |
| 1297 303 073 | <b>146.357</b> | DAF 019A 60   | 1297 303 097 | <b>146.415</b> | DAF 019A 59   | 1297 304 017 | See            | 1297 304 442  |
| 1297 303 073 | <b>146.357</b> | DAF 020A 63   | 1297 303 097 | <b>146.415</b> | DAF 020A 62   | 1297 304 019 | See            | 1297 304 266  |
| 1297 303 073 | <b>146.357</b> | VOL 024A 60   | 1297 303 097 | <b>146.415</b> | VOL 024A 59   | 1297 304 020 | See            | 1297 304 261  |
| 1297 303 073 | <b>146.357</b> | VOL 025A 63   | 1297 303 097 | <b>146.415</b> | VOL 025A 62   | 1297 304 025 | See            | 1297 304 267  |
| 1297 303 074 | <b>146.383</b> | MB 001A 50    | 1297 303 098 | <b>146.319</b> | MB 001A 50    | 1297 304 026 | See            | 1297 304 260  |
| 1297 303 074 | <b>146.383</b> | MB 002A 58    | 1297 303 098 | <b>146.319</b> | MB 002A 58    | 1297 304 031 | <b>157.110</b> | MB 002A 33    |
| 1297 303 074 | <b>146.383</b> | MAN 004A 50   | 1297 303 098 | <b>146.319</b> | MAN 004A 50   | 1297 304 031 | <b>157.110</b> | MB 002A 42    |
| 1297 303 074 | <b>146.383</b> | MAN 005A 58   | 1297 303 098 | <b>146.319</b> | MAN 005A 58   | 1297 304 031 | <b>157.110</b> | MAN 005A 33   |
| 1297 303 074 | <b>146.383</b> | IVE 009A 58   | 1297 303 098 | <b>146.319</b> | IVE 009A 58   | 1297 304 031 | <b>157.110</b> | MAN 005A 42   |
| 1297 303 074 | <b>146.383</b> | IVE 010A 61   | 1297 303 098 | <b>146.319</b> | IVE 010A 61   | 1297 304 031 | <b>157.110</b> | IVE 009A 33   |
| 1297 303 074 | <b>146.383</b> | DAF 018A 50   | 1297 303 098 | <b>146.319</b> | DAF 018A 50   | 1297 304 031 | <b>157.110</b> | IVE 009A 42   |
| 1297 303 074 | <b>146.383</b> | DAF 019A 58   | 1297 303 098 | <b>146.319</b> | DAF 019A 58   | 1297 304 031 | <b>157.110</b> | RVI 014A 33   |
| 1297 303 074 | <b>146.383</b> | DAF 020A 61   | 1297 303 098 | <b>146.319</b> | DAF 020A 61   | 1297 304 031 | <b>157.110</b> | RVI 014A 42   |
| 1297 303 074 | <b>146.383</b> | VOL 024A 58   | 1297 303 098 | <b>146.319</b> | VOL 024A 58   | 1297 304 031 | <b>157.110</b> | DAF 019A 33   |
| 1297 303 074 | <b>146.383</b> | VOL 025A 61   | 1297 303 098 | <b>146.319</b> | VOL 025A 61   | 1297 304 031 | <b>157.110</b> | DAF 019A 42   |
| 1297 303 075 | <b>105.092</b> | MB 002A 61    | 1297 303 114 | <b>146.447</b> | MB 001A 51    | 1297 304 031 | <b>157.110</b> | VOL 024A 33   |
| 1297 303 075 | <b>105.092</b> | MAN 005A 61   | 1297 303 114 | <b>146.447</b> | MAN 004A 51   | 1297 304 031 | <b>157.110</b> | VOL 024A 42   |
| 1297 303 075 | <b>105.092</b> | IVE 009A 61   | 1297 303 114 | <b>146.447</b> | DAF 018A 51   | 1297 304 034 | <i>117.318</i> | MB 001A 39    |
| 1297 303 075 | <b>105.092</b> | IVE 010A 64   | 1297 303 123 | <b>146.416</b> | MB 002A 59    | 1297 304 034 | <i>117.318</i> | MB 002A 47    |
| 1297 303 075 | <b>105.092</b> | DAF 019A 61   | 1297 303 123 | <b>146.416</b> | MAN 005A 59   | 1297 304 034 | <i>117.318</i> | MAN 004A 39   |
| 1297 303 075 | <b>105.092</b> | DAF 020A 64   | 1297 303 123 | <b>146.416</b> | IVE 009A 59   | 1297 304 034 | <i>117.318</i> | MAN 005A 47   |
| 1297 303 075 | <b>105.092</b> | VOL 024A 61   | 1297 303 123 | <b>146.416</b> | IVE 010A 62   | 1297 304 034 | <i>117.318</i> | IVE 009A 47   |
| 1297 303 075 | <b>105.092</b> | VOL 025A 64   | 1297 303 123 | <b>146.416</b> | DAF 019A 59   | 1297 304 034 | <i>117.318</i> | IVE 010A 50   |
| 1297 303 076 |                | MB 001A 53    | 1297 303 123 | <b>146.416</b> | DAF 020A 62   | 1297 304 034 | <i>117.318</i> | DAF 018A 39   |
| 1297 303 077 | <b>146.380</b> | MB 001A 52    | 1297 303 123 | <b>146.416</b> | VOL 024A 59   | 1297 304 034 | <i>117.318</i> | DAF 019A 47   |
| 1297 303 077 | <b>146.380</b> | MAN 004A 52   | 1297 303 123 | <b>146.416</b> | VOL 025A 62   | 1297 304 034 | <i>117.318</i> | DAF 020A 50   |
| 1297 303 077 | <b>146.380</b> | DAF 018A 52   | 1297 303 132 | <b>146.422</b> | MB 002A 60    | 1297 304 034 | <i>117.318</i> | VOL 024A 47   |
| 1297 303 080 |                | MB 001A 53    | 1297 303 132 | <b>146.422</b> | MAN 005A 60   | 1297 304 034 | <i>117.318</i> | VOL 025A 50   |
| 1297 303 081 | <b>146.446</b> | MB 001A 52    | 1297 303 132 | <b>146.422</b> | IVE 009A 60   | 1297 304 035 | <i>117.246</i> | MB 002A 67    |
| 1297 303 081 | <b>146.446</b> | MAN 004A 52   | 1297 303 132 | <b>146.422</b> | IVE 010A 63   | 1297 304 035 | <i>117.246</i> | MAN 005A 67   |
| 1297 303 081 | <b>146.446</b> | DAF 018A 52   | 1297 303 132 | <b>146.422</b> | DAF 019A 60   | 1297 304 035 | <i>117.246</i> | IVE 009A 67   |
| 1297 303 086 | <b>146.321</b> | MB 002A 58    | 1297 303 132 | <b>146.422</b> | DAF 020A 63   | 1297 304 035 | <i>117.246</i> | IVE 010A 47   |
| 1297 303 086 | <b>146.321</b> | MAN 005A 58   | 1297 303 132 | <b>146.422</b> | VOL 024A 60   | 1297 304 035 | <i>117.246</i> | DAF 019A 67   |
| 1297 303 086 | <b>146.321</b> | IVE 009A 58   | 1297 303 132 | <b>146.422</b> | VOL 025A 63   | 1297 304 035 | <i>117.246</i> | DAF 020A 47   |
| 1297 303 086 | <b>146.321</b> | IVE 010A 61   | 1297 303 140 | <b>105.093</b> | MB 002A 61    | 1297 304 035 | <i>117.246</i> | VOL 024A 67   |
| 1297 303 086 | <b>146.321</b> | DAF 019A 58   | 1297 303 140 | <b>105.093</b> | MAN 005A 61   | 1297 304 035 | <i>117.246</i> | VOL 025A 47   |
| 1297 303 086 | <b>146.321</b> | DAF 020A 61   | 1297 303 140 | <b>105.093</b> | IVE 009A 61   | 1297 304 044 | See            | 1297 304 188  |
| 1297 303 086 | <b>146.321</b> | VOL 024A 58   | 1297 303 140 | <b>105.093</b> | IVE 010A 64   | 1297 304 055 | <i>117.317</i> | MB 001A 36    |
| 1297 303 086 | <b>146.321</b> | VOL 025A 61   | 1297 303 140 | <b>105.093</b> | DAF 019A 61   | 1297 304 055 | <i>117.317</i> | MAN 004A 36   |
| 1297 303 097 | <b>146.415</b> | MB 002A 59    | 1297 303 140 | <b>105.093</b> | DAF 020A 64   | 1297 304 055 | <i>117.317</i> | DAF 018A 36   |
| 1297 303 097 | <b>146.415</b> | MAN 005A 59   | 1297 303 140 | <b>105.093</b> | VOL 024A 61   | 1297 304 112 | <b>145.467</b> | MB 001A 32    |

All original equipment manufacturers numbers, symbols, pictures, models and description used in this catalogue are for reference only, and it is not implied that any part listed is the product of these manufacturers. Tutti i nostri particolari non sono originali ma con essi intercambiabili. I riferimenti originali, le figure, i modelli sono esposti a semplice titolo indicativo. La nostra produzione riporta il nostro marchio.

ZF references index  
Indice riferimenti ZF

Date

03 / 2006

Table

Index



| Ref. ZF      | Ref. CEI | OEM          | Tav. | Fig. | Ref. ZF      | Ref. CEI | OEM          | Tav. | Fig. | Ref. ZF      | Ref. CEI | OEM          | Tav. | Fig. |
|--------------|----------|--------------|------|------|--------------|----------|--------------|------|------|--------------|----------|--------------|------|------|
| 1297 304 112 | 145.467  | MAN          | 004A | 32   | 1297 304 149 | 147.109  | DAF          | 019A | 49   | 1297 304 187 | 157.177  | IVE          | 009A | 51   |
| 1297 304 112 | 145.467  | DAF          | 018A | 32   | 1297 304 149 | 147.109  | DAF          | 020A | 52   | 1297 304 187 | 157.177  | IVE          | 010A | 54   |
| 1297 304 113 | 145.532  | MB           | 001A | 32   | 1297 304 149 | 147.109  | VOL          | 024A | 49   | 1297 304 187 | 157.177  | DAF          | 018A | 43   |
| 1297 304 113 | 145.532  | MAN          | 004A | 32   | 1297 304 149 | 147.109  | VOL          | 025A | 52   | 1297 304 187 | 157.177  | DAF          | 019A | 51   |
| 1297 304 113 | 145.532  | DAF          | 018A | 32   | 1297 304 150 | 145.469  | MB           | 001A | 37   | 1297 304 187 | 157.177  | DAF          | 020A | 54   |
| 1297 304 115 | 145.468  | MB           | 001A | 29   | 1297 304 150 | 145.469  | MAN          | 004A | 37   | 1297 304 187 | 157.177  | VOL          | 024A | 51   |
| 1297 304 115 | 145.468  | MAN          | 004A | 29   | 1297 304 150 | 145.469  | DAF          | 018A | 37   | 1297 304 187 | 157.177  | VOL          | 025A | 54   |
| 1297 304 115 | 145.468  | DAF          | 018A | 29   | 1297 304 151 | 145.534  | MB           | 001A | 37   | 1297 304 188 | 157.195  | MB           | 001A | 27   |
| 1297 304 116 | 145.531  | MB           | 001A | 29   | 1297 304 151 | 145.534  | MAN          | 004A | 37   | 1297 304 188 | 157.195  | MAN          | 004A | 27   |
| 1297 304 116 | 145.531  | MAN          | 004A | 29   | 1297 304 151 | 145.534  | DAF          | 018A | 37   | 1297 304 188 | 157.195  | DAF          | 018A | 27   |
| 1297 304 116 | 145.531  | DAF          | 018A | 29   | 1297 304 152 | See      | 1297 304 441 |      |      | 1297 304 192 | See      | 1297 304 439 |      |      |
| 1297 304 119 | 154.188  | MB           | 001A | 34   | 1297 304 153 | See      | 1297 304 270 |      |      | 1297 304 193 | 103.098  | MB           | 002A | 37   |
| 1297 304 119 | 154.188  | MAN          | 004A | 34   | 1297 304 154 | 109.178  | MB           | 001A | 38   | 1297 304 193 | 103.098  | MAN          | 005A | 37   |
| 1297 304 119 | 154.188  | DAF          | 018A | 34   | 1297 304 154 | 109.178  | MB           | 002A | 46   | 1297 304 193 | 103.098  | IVE          | 009A | 37   |
| 1297 304 120 | 154.189  | MB           | 001A | 28   | 1297 304 154 | 109.178  | MAN          | 004A | 38   | 1297 304 193 | 103.098  | IVE          | 010A | 39   |
| 1297 304 120 | 154.189  | MAN          | 004A | 28   | 1297 304 154 | 109.178  | MAN          | 005A | 46   | 1297 304 193 | 103.098  | DAF          | 019A | 37   |
| 1297 304 120 | 154.189  | DAF          | 018A | 28   | 1297 304 154 | 109.178  | IVE          | 009A | 46   | 1297 304 193 | 103.098  | DAF          | 020A | 39   |
| 1297 304 122 | See      | 1297 304 414 |      |      | 1297 304 154 | 109.178  | IVE          | 010A | 49   | 1297 304 193 | 103.098  | VOL          | 024A | 37   |
| 1297 304 123 | See      | 1297 304 413 |      |      | 1297 304 154 | 109.178  | DAF          | 018A | 38   | 1297 304 193 | 103.098  | VOL          | 025A | 39   |
| 1297 304 127 | 145.420  | MB           | 001A | 26   | 1297 304 154 | 109.178  | DAF          | 019A | 46   | 1297 304 195 | 157.111  | MB           | 002A | 42   |
| 1297 304 127 | 145.420  | MAN          | 004A | 26   | 1297 304 154 | 109.178  | DAF          | 020A | 49   | 1297 304 195 | 157.111  | MAN          | 005A | 42   |
| 1297 304 127 | 145.420  | DAF          | 018A | 26   | 1297 304 154 | 109.178  | VOL          | 024A | 46   | 1297 304 195 | 157.111  | IVE          | 009A | 42   |
| 1297 304 128 | 145.529  | MB           | 001A | 26   | 1297 304 154 | 109.178  | VOL          | 025A | 49   | 1297 304 195 | 157.111  | RVI          | 014A | 42   |
| 1297 304 128 | 145.529  | MAN          | 004A | 26   | 1297 304 175 | See      | 1297 304 318 |      |      | 1297 304 195 | 157.111  | DAF          | 019A | 42   |
| 1297 304 128 | 145.529  | DAF          | 018A | 26   | 1297 304 176 | See      | 1297 304 381 |      |      | 1297 304 195 | 157.111  | VOL          | 024A | 42   |
| 1297 304 148 | 147.140  | MB           | 001A | 41   | 1297 304 177 | 169.758  | MB           | 001A | 42   | 1297 304 196 | 109.074  | MB           | 002A | 40   |
| 1297 304 148 | 147.140  | MB           | 002A | 49   | 1297 304 177 | 169.758  | MAN          | 004A | 42   | 1297 304 196 | 109.074  | MAN          | 005A | 40   |
| 1297 304 148 | 147.140  | MAN          | 004A | 41   | 1297 304 177 | 169.758  | DAF          | 018A | 42   | 1297 304 196 | 109.074  | IVE          | 009A | 40   |
| 1297 304 148 | 147.140  | MAN          | 005A | 49   | 1297 304 179 | 103.134  | MB           | 001A | 31   | 1297 304 196 | 109.074  | RVI          | 014A | 40   |
| 1297 304 148 | 147.140  | IVE          | 009A | 49   | 1297 304 179 | 103.134  | MAN          | 004A | 31   | 1297 304 196 | 109.074  | DAF          | 019A | 40   |
| 1297 304 148 | 147.140  | IVE          | 010A | 52   | 1297 304 179 | 103.134  | DAF          | 018A | 31   | 1297 304 196 | 109.074  | VOL          | 024A | 40   |
| 1297 304 148 | 147.140  | DAF          | 018A | 41   | 1297 304 181 | 103.132  | MB           | 002A | 37   | 1297 304 258 | 145.530  | MB           | 001A | 26   |
| 1297 304 148 | 147.140  | DAF          | 019A | 49   | 1297 304 181 | 103.132  | MAN          | 005A | 37   | 1297 304 258 | 145.530  | MAN          | 004A | 26   |
| 1297 304 148 | 147.140  | DAF          | 020A | 52   | 1297 304 181 | 103.132  | IVE          | 009A | 37   | 1297 304 258 | 145.530  | DAF          | 018A | 26   |
| 1297 304 148 | 147.140  | VOL          | 024A | 49   | 1297 304 181 | 103.132  | IVE          | 010A | 39   | 1297 304 260 | 146.318  | MB           | 002A | 30   |
| 1297 304 148 | 147.140  | VOL          | 025A | 52   | 1297 304 181 | 103.132  | DAF          | 019A | 37   | 1297 304 260 | 146.318  | MAN          | 005A | 30   |
| 1297 304 149 | 147.109  | MB           | 001A | 41   | 1297 304 181 | 103.132  | DAF          | 020A | 39   | 1297 304 260 | 146.318  | IVE          | 009A | 30   |
| 1297 304 149 | 147.109  | MB           | 002A | 49   | 1297 304 181 | 103.132  | VOL          | 024A | 37   | 1297 304 260 | 146.318  | IVE          | 010A | 30   |
| 1297 304 149 | 147.109  | MAN          | 004A | 41   | 1297 304 181 | 103.132  | VOL          | 025A | 39   | 1297 304 260 | 146.318  | DAF          | 019A | 30   |
| 1297 304 149 | 147.109  | MAN          | 005A | 49   | 1297 304 187 | 157.177  | MB           | 001A | 43   | 1297 304 260 | 146.318  | DAF          | 020A | 30   |
| 1297 304 149 | 147.109  | IVE          | 009A | 49   | 1297 304 187 | 157.177  | MB           | 002A | 51   | 1297 304 260 | 146.318  | VOL          | 024A | 30   |
| 1297 304 149 | 147.109  | IVE          | 010A | 52   | 1297 304 187 | 157.177  | MAN          | 004A | 43   | 1297 304 260 | 146.318  | VOL          | 025A | 30   |
| 1297 304 149 | 147.109  | DAF          | 018A | 41   | 1297 304 187 | 157.177  | MAN          | 005A | 51   | 1297 304 261 | 145.450  | MB           | 002A | 35   |

## Date

03 / 2006

## Table

## Index

All original equipment manufacturers numbers, symbols, pictures, models and description used in this catalogue are for reference only, and it is not implied that any part listed is the product of these manufacturers.  
Tutti i nostri particolari non sono originali ma con essi intercambiabili. I riferimenti originali, le figure, i modelli sono esposti a semplice titolo indicativo. La nostra produzione riporta il nostro marchio.

| Ref. ZF      | Ref. CEI       | OEM Tav.     | Fig.    | Ref. ZF      | Ref. CEI       | OEM Tav.     | Fig.    | Ref. ZF      | Ref. CEI       | OEM Tav. | Fig.    |
|--------------|----------------|--------------|---------|--------------|----------------|--------------|---------|--------------|----------------|----------|---------|
| 1297 304 261 | <b>145.450</b> | MAN          | 005A 35 | 1297 304 270 | <b>145.507</b> | DAF          | 019A 45 | 1297 304 401 | <b>119.122</b> | RVI      | 015A 38 |
| 1297 304 261 | <b>145.450</b> | IVE          | 009A 35 | 1297 304 270 | <b>145.507</b> | DAF          | 020A 48 | 1297 304 401 | <b>119.122</b> | RVI      | 016A 51 |
| 1297 304 261 | <b>145.450</b> | IVE          | 010A 37 | 1297 304 270 | <b>145.507</b> | VOL          | 024A 45 | 1297 304 401 | <b>119.122</b> | RVI      | 017A 51 |
| 1297 304 261 | <b>145.450</b> | DAF          | 019A 35 | 1297 304 270 | <b>145.507</b> | VOL          | 025A 48 | 1297 304 401 | <b>119.122</b> | DAF      | 020A 43 |
| 1297 304 261 | <b>145.450</b> | DAF          | 020A 37 | 1297 304 271 |                | MB           | 001A 32 | 1297 304 401 | <b>119.122</b> | DAF      | 021A 38 |
| 1297 304 261 | <b>145.450</b> | VOL          | 024A 35 | 1297 304 272 |                | MB           | 001A 37 | 1297 304 401 | <b>119.122</b> | DAF      | 022A 51 |
| 1297 304 261 | <b>145.450</b> | VOL          | 025A 37 | 1297 304 273 |                | MB           | 001A 29 | 1297 304 401 | <b>119.122</b> | DAF      | 023A 51 |
| 1297 304 262 | See            | 1297 304 441 |         | 1297 304 274 |                | MB           | 001A 26 | 1297 304 401 | <b>119.122</b> | VOL      | 025A 43 |
| 1297 304 263 | See            | 1297 304 442 |         | 1297 304 277 |                | MB           | 001A 37 | 1297 304 402 | <b>119.119</b> | MB       | 003A 10 |
| 1297 304 264 | 103.139        | MB           | 001A 31 | 1297 304 278 |                | MB           | 001A 32 | 1297 304 402 | <b>119.119</b> | MB       | 003A 28 |
| 1297 304 264 | 103.139        | MAN          | 004A 31 | 1297 304 279 |                | MB           | 001A 29 | 1297 304 402 | <b>119.119</b> | MAN      | 006A 10 |
| 1297 304 264 | 103.139        | DAF          | 018A 31 | 1297 304 285 | See            | 1297 304 413 |         | 1297 304 402 | <b>119.119</b> | MAN      | 006A 28 |
| 1297 304 265 | 157.206        | MB           | 001A 44 | 1297 304 308 |                | MB           | 001A 26 | 1297 304 402 | <b>119.119</b> | MAN      | 007A 23 |
| 1297 304 265 | 157.206        | MAN          | 004A 44 | 1297 304 318 | <b>146.315</b> | MB           | 002A 30 | 1297 304 402 | <b>119.119</b> | MAN      | 007A 34 |
| 1297 304 265 | 157.206        | DAF          | 018A 44 | 1297 304 318 | <b>146.315</b> | MAN          | 005A 30 | 1297 304 402 | <b>119.119</b> | MAN      | 008A 19 |
| 1297 304 266 | <b>145.470</b> | MB           | 002A 35 | 1297 304 318 | <b>146.315</b> | IVE          | 009A 30 | 1297 304 402 | <b>119.119</b> | MAN      | 008A 34 |
| 1297 304 266 | <b>145.470</b> | MAN          | 005A 35 | 1297 304 318 | <b>146.315</b> | IVE          | 010A 30 | 1297 304 402 | <b>119.119</b> | IVE      | 010A 32 |
| 1297 304 266 | <b>145.470</b> | IVE          | 009A 35 | 1297 304 318 | <b>146.315</b> | DAF          | 019A 30 | 1297 304 402 | <b>119.119</b> | IVE      | 011A 10 |
| 1297 304 266 | <b>145.470</b> | IVE          | 010A 37 | 1297 304 318 | <b>146.315</b> | DAF          | 020A 30 | 1297 304 402 | <b>119.119</b> | IVE      | 011A 28 |
| 1297 304 266 | <b>145.470</b> | DAF          | 019A 35 | 1297 304 318 | <b>146.315</b> | VOL          | 024A 30 | 1297 304 402 | <b>119.119</b> | IVE      | 012A 23 |
| 1297 304 266 | <b>145.470</b> | DAF          | 020A 37 | 1297 304 318 | <b>146.315</b> | VOL          | 025A 30 | 1297 304 402 | <b>119.119</b> | IVE      | 012A 34 |
| 1297 304 266 | <b>145.470</b> | VOL          | 024A 35 | 1297 304 369 | <b>109.114</b> | IVE          | 010A 31 | 1297 304 402 | <b>119.119</b> | IVE      | 013A 19 |
| 1297 304 266 | <b>145.470</b> | VOL          | 025A 37 | 1297 304 369 | <b>109.114</b> | DAF          | 020A 31 | 1297 304 402 | <b>119.119</b> | IVE      | 013A 34 |
| 1297 304 267 | <b>146.384</b> | MB           | 002A 30 | 1297 304 369 | <b>109.114</b> | VOL          | 025A 31 | 1297 304 402 | <b>119.119</b> | RVI      | 015A 10 |
| 1297 304 267 | <b>146.384</b> | MAN          | 005A 30 | 1297 304 371 | <b>109.113</b> | IVE          | 010A 42 | 1297 304 402 | <b>119.119</b> | RVI      | 015A 28 |
| 1297 304 267 | <b>146.384</b> | IVE          | 009A 30 | 1297 304 371 | <b>109.113</b> | DAF          | 020A 42 | 1297 304 402 | <b>119.119</b> | RVI      | 016A 23 |
| 1297 304 267 | <b>146.384</b> | IVE          | 010A 30 | 1297 304 371 | <b>109.113</b> | VOL          | 025A 42 | 1297 304 402 | <b>119.119</b> | RVI      | 016A 34 |
| 1297 304 267 | <b>146.384</b> | DAF          | 019A 30 | 1297 304 380 |                | MB           | 001A 26 | 1297 304 402 | <b>119.119</b> | RVI      | 017A 19 |
| 1297 304 267 | <b>146.384</b> | DAF          | 020A 30 | 1297 304 381 | 169.757        | MB           | 002A 50 | 1297 304 402 | <b>119.119</b> | RVI      | 017A 34 |
| 1297 304 267 | <b>146.384</b> | VOL          | 024A 30 | 1297 304 381 | 169.757        | MAN          | 005A 50 | 1297 304 402 | <b>119.119</b> | DAF      | 020A 32 |
| 1297 304 267 | <b>146.384</b> | VOL          | 025A 30 | 1297 304 381 | 169.757        | IVE          | 009A 50 | 1297 304 402 | <b>119.119</b> | DAF      | 021A 10 |
| 1297 304 269 | <b>145.500</b> | MB           | 002A 39 | 1297 304 381 | 169.757        | IVE          | 010A 53 | 1297 304 402 | <b>119.119</b> | DAF      | 021A 28 |
| 1297 304 269 | <b>145.500</b> | MAN          | 005A 39 | 1297 304 381 | 169.757        | DAF          | 019A 50 | 1297 304 402 | <b>119.119</b> | DAF      | 022A 23 |
| 1297 304 269 | <b>145.500</b> | IVE          | 009A 39 | 1297 304 381 | 169.757        | DAF          | 020A 53 | 1297 304 402 | <b>119.119</b> | DAF      | 022A 34 |
| 1297 304 269 | <b>145.500</b> | IVE          | 010A 41 | 1297 304 381 | 169.757        | VOL          | 024A 50 | 1297 304 402 | <b>119.119</b> | DAF      | 023A 19 |
| 1297 304 269 | <b>145.500</b> | DAF          | 019A 39 | 1297 304 381 | 169.757        | VOL          | 025A 53 | 1297 304 402 | <b>119.119</b> | DAF      | 023A 34 |
| 1297 304 269 | <b>145.500</b> | DAF          | 020A 41 | 1297 304 401 | <b>119.122</b> | MAN          | 006A 38 | 1297 304 402 | <b>119.119</b> | VOL      | 025A 32 |
| 1297 304 269 | <b>145.500</b> | VOL          | 024A 39 | 1297 304 401 | <b>119.122</b> | MAN          | 007A 51 | 1297 304 413 | <b>146.294</b> | MB       | 002A 30 |
| 1297 304 269 | <b>145.500</b> | VOL          | 025A 41 | 1297 304 401 | <b>119.122</b> | MAN          | 008A 51 | 1297 304 413 | <b>146.294</b> | MAN      | 005A 30 |
| 1297 304 270 | <b>145.507</b> | MB           | 002A 45 | 1297 304 401 | <b>119.122</b> | IVE          | 010A 43 | 1297 304 413 | <b>146.294</b> | IVE      | 009A 30 |
| 1297 304 270 | <b>145.507</b> | MAN          | 005A 45 | 1297 304 401 | <b>119.122</b> | IVE          | 011A 38 | 1297 304 413 | <b>146.294</b> | IVE      | 010A 30 |
| 1297 304 270 | <b>145.507</b> | IVE          | 009A 45 | 1297 304 401 | <b>119.122</b> | IVE          | 012A 51 | 1297 304 413 | <b>146.294</b> | DAF      | 019A 30 |
| 1297 304 270 | <b>145.507</b> | IVE          | 010A 48 | 1297 304 401 | <b>119.122</b> | IVE          | 013A 51 | 1297 304 413 | <b>146.294</b> | DAF      | 020A 30 |

Date

03 / 2006

Table

Index

| Ref. ZF      | Ref. CEI       | OEM          | Tav. | Fig. | Ref. ZF      | Ref. CEI       | OEM          | Tav. | Fig. | Ref. ZF      | Ref. CEI       | OEM          | Tav. | Fig. |
|--------------|----------------|--------------|------|------|--------------|----------------|--------------|------|------|--------------|----------------|--------------|------|------|
| 1297 304 413 | <b>146.294</b> | VOL          | 024A | 30   | 1297 304 441 | <b>145.376</b> | VOL          | 024A | 45   | 1297 304 484 | <b>119.167</b> | DAF          | 020A | 32   |
| 1297 304 413 | <b>146.294</b> | VOL          | 025A | 30   | 1297 304 441 | <b>145.376</b> | VOL          | 025A | 48   | 1297 304 484 | <b>119.167</b> | DAF          | 021A | 10   |
| 1297 304 414 | <b>145.377</b> | MB           | 002A | 35   | 1297 304 442 | <b>145.375</b> | MB           | 002A | 39   | 1297 304 484 | <b>119.167</b> | DAF          | 021A | 28   |
| 1297 304 414 | <b>145.377</b> | MAN          | 005A | 35   | 1297 304 442 | <b>145.375</b> | MAN          | 005A | 39   | 1297 304 484 | <b>119.167</b> | DAF          | 022A | 23   |
| 1297 304 414 | <b>145.377</b> | IVE          | 009A | 35   | 1297 304 442 | <b>145.375</b> | IVE          | 009A | 39   | 1297 304 484 | <b>119.167</b> | DAF          | 022A | 34   |
| 1297 304 414 | <b>145.377</b> | IVE          | 010A | 37   | 1297 304 442 | <b>145.375</b> | IVE          | 010A | 41   | 1297 304 484 | <b>119.167</b> | DAF          | 023A | 19   |
| 1297 304 414 | <b>145.377</b> | DAF          | 019A | 35   | 1297 304 442 | <b>145.375</b> | DAF          | 019A | 39   | 1297 304 484 | <b>119.167</b> | DAF          | 023A | 34   |
| 1297 304 414 | <b>145.377</b> | DAF          | 020A | 37   | 1297 304 442 | <b>145.375</b> | DAF          | 020A | 41   | 1297 304 484 | <b>119.167</b> | VOL          | 025A | 32   |
| 1297 304 414 | <b>145.377</b> | VOL          | 024A | 35   | 1297 304 442 | <b>145.375</b> | VOL          | 024A | 39   | 1297 304 485 | <b>119.166</b> | MAN          | 006A | 38   |
| 1297 304 414 | <b>145.377</b> | VOL          | 025A | 37   | 1297 304 442 | <b>145.375</b> | VOL          | 025A | 41   | 1297 304 485 | <b>119.166</b> | MAN          | 007A | 51   |
| 1297 304 415 | See            | 1297 304 450 |      |      | 1297 304 445 | 157.139        | IVE          | 010A | 44   | 1297 304 485 | <b>119.166</b> | MAN          | 008A | 51   |
| 1297 304 431 | See            | 1310 304 202 |      |      | 1297 304 445 | 157.139        | DAF          | 020A | 44   | 1297 304 485 | <b>119.166</b> | IVE          | 010A | 43   |
| 1297 304 433 | See            | 1297 304 402 |      |      | 1297 304 445 | 157.139        | VOL          | 025A | 44   | 1297 304 485 | <b>119.166</b> | IVE          | 011A | 38   |
| 1297 304 436 | <b>160.189</b> | MB           | 003A | 14   | 1297 304 446 | 157.140        | IVE          | 010A | 33   | 1297 304 485 | <b>119.166</b> | IVE          | 012A | 51   |
| 1297 304 436 | <b>160.189</b> | MAN          | 006A | 14   | 1297 304 446 | 157.140        | DAF          | 020A | 33   | 1297 304 485 | <b>119.166</b> | IVE          | 013A | 51   |
| 1297 304 436 | <b>160.189</b> | MAN          | 007A | 38   | 1297 304 446 | 157.140        | VOL          | 025A | 33   | 1297 304 485 | <b>119.166</b> | RVI          | 015A | 38   |
| 1297 304 436 | <b>160.189</b> | MAN          | 008A | 21   | 1297 304 448 | See            | 1310 304 202 |      |      | 1297 304 485 | <b>119.166</b> | RVI          | 016A | 51   |
| 1297 304 436 | <b>160.189</b> | IVE          | 010A | 34   | 1297 304 450 | <b>154.136</b> | IVE          | 010A | 45   | 1297 304 485 | <b>119.166</b> | RVI          | 017A | 51   |
| 1297 304 436 | <b>160.189</b> | IVE          | 011A | 14   | 1297 304 450 | <b>154.136</b> | DAF          | 020A | 45   | 1297 304 485 | <b>119.166</b> | DAF          | 020A | 43   |
| 1297 304 436 | <b>160.189</b> | IVE          | 012A | 38   | 1297 304 450 | <b>154.136</b> | DAF          | 020A | 45   | 1297 304 485 | <b>119.166</b> | DAF          | 021A | 38   |
| 1297 304 436 | <b>160.189</b> | IVE          | 013A | 21   | 1297 304 450 | <b>154.136</b> | DAF          | 020A | 45   | 1297 304 485 | <b>119.166</b> | DAF          | 022A | 51   |
| 1297 304 436 | <b>160.189</b> | RVI          | 015A | 14   | 1297 304 450 | <b>154.136</b> | VOL          | 025A | 45   | 1297 304 485 | <b>119.166</b> | DAF          | 023A | 51   |
| 1297 304 436 | <b>160.189</b> | RVI          | 016A | 38   | 1297 304 484 | <b>119.167</b> | MB           | 003A | 10   | 1297 304 485 | <b>119.166</b> | VOL          | 025A | 43   |
| 1297 304 436 | <b>160.189</b> | RVI          | 017A | 21   | 1297 304 484 | <b>119.167</b> | MB           | 003A | 28   | 1297 305 003 | 147.153        | MB           | 002A | 65   |
| 1297 304 436 | <b>160.189</b> | DAF          | 020A | 34   | 1297 304 484 | <b>119.167</b> | MAN          | 006A | 10   | 1297 305 003 | 147.153        | MAN          | 004A | 57   |
| 1297 304 436 | <b>160.189</b> | DAF          | 021A | 14   | 1297 304 484 | <b>119.167</b> | MAN          | 006A | 28   | 1297 305 003 | 147.153        | MAN          | 005A | 65   |
| 1297 304 436 | <b>160.189</b> | DAF          | 022A | 38   | 1297 304 484 | <b>119.167</b> | MAN          | 007A | 23   | 1297 305 003 | 147.153        | MAN          | 005A | 65   |
| 1297 304 436 | <b>160.189</b> | DAF          | 023A | 21   | 1297 304 484 | <b>119.167</b> | MAN          | 007A | 34   | 1297 305 003 | 147.153        | IVE          | 009A | 65   |
| 1297 304 436 | <b>160.189</b> | VOL          | 025A | 34   | 1297 304 484 | <b>119.167</b> | MAN          | 008A | 19   | 1297 305 003 | 147.153        | RVI          | 014A | 65   |
| 1297 304 439 | 157.198        | MB           | 002A | 52   | 1297 304 484 | <b>119.167</b> | MAN          | 008A | 34   | 1297 305 003 | 147.153        | DAF          | 019A | 65   |
| 1297 304 439 | 157.198        | MAN          | 005A | 52   | 1297 304 484 | <b>119.167</b> | IVE          | 010A | 32   | 1297 305 003 | 147.153        | DAF          | 019A | 65   |
| 1297 304 439 | 157.198        | IVE          | 009A | 52   | 1297 304 484 | <b>119.167</b> | IVE          | 011A | 10   | 1297 305 003 | 147.153        | DAF          | 020A | 68   |
| 1297 304 439 | 157.198        | IVE          | 010A | 55   | 1297 304 484 | <b>119.167</b> | IVE          | 011A | 28   | 1297 305 003 | 147.153        | VOL          | 024A | 65   |
| 1297 304 439 | 157.198        | DAF          | 019A | 52   | 1297 304 484 | <b>119.167</b> | IVE          | 012A | 23   | 1297 305 011 | 147.134        | MB           | 003A | 65   |
| 1297 304 439 | 157.198        | DAF          | 020A | 55   | 1297 304 484 | <b>119.167</b> | IVE          | 012A | 34   | 1297 305 011 | 147.134        | MAN          | 006A | 65   |
| 1297 304 439 | 157.198        | VOL          | 024A | 52   | 1297 304 484 | <b>119.167</b> | IVE          | 013A | 19   | 1297 305 011 | 147.134        | IVE          | 011A | 65   |
| 1297 304 439 | 157.198        | VOL          | 025A | 55   | 1297 304 484 | <b>119.167</b> | IVE          | 013A | 34   | 1297 305 011 | 147.134        | DAF          | 021A | 65   |
| 1297 304 441 | <b>145.376</b> | MB           | 002A | 45   | 1297 304 484 | <b>119.167</b> | RVI          | 015A | 10   | 1297 305 012 | 147.135        | MB           | 003A | 65   |
| 1297 304 441 | <b>145.376</b> | MAN          | 005A | 45   | 1297 304 484 | <b>119.167</b> | RVI          | 015A | 28   | 1297 305 012 | 147.135        | MAN          | 006A | 65   |
| 1297 304 441 | <b>145.376</b> | IVE          | 009A | 45   | 1297 304 484 | <b>119.167</b> | RVI          | 016A | 23   | 1297 305 012 | 147.135        | IVE          | 011A | 65   |
| 1297 304 441 | <b>145.376</b> | IVE          | 010A | 48   | 1297 304 484 | <b>119.167</b> | RVI          | 016A | 34   | 1297 305 012 | 147.135        | DAF          | 021A | 65   |
| 1297 304 441 | <b>145.376</b> | DAF          | 019A | 45   | 1297 304 484 | <b>119.167</b> | RVI          | 017A | 19   | 1297 306 028 | See            | 1295 306 132 |      |      |
| 1297 304 441 | <b>145.376</b> | DAF          | 020A | 48   | 1297 304 484 | <b>119.167</b> | RVI          | 017A | 34   | 1297 306 120 | <b>141.163</b> | MB           | 003B | 28   |

Date

03 / 2006

Table

Index

| Ref. ZF      | Ref. CEI       | OEM Tav. | Fig.    | Ref. ZF      | Ref. CEI       | OEM Tav.     | Fig.    | Ref. ZF      | Ref. CEI       | OEM Tav.     | Fig.    |
|--------------|----------------|----------|---------|--------------|----------------|--------------|---------|--------------|----------------|--------------|---------|
| 1297 306 120 | <b>141.163</b> | MB       | 003B 32 | 1297 332 002 |                | MAN          | 005B 14 | 1297 332 035 | <b>150.137</b> | IVE          | 009B 11 |
| 1297 306 120 | <b>141.163</b> | MAN      | 006B 28 | 1297 332 002 |                | MAN          | 005B 14 | 1297 332 035 | <b>150.137</b> | IVE          | 009B 11 |
| 1297 306 120 | <b>141.163</b> | MAN      | 006B 32 | 1297 332 002 |                | MAN          | 006B 12 | 1297 332 035 | <b>150.137</b> | IVE          | 010B 11 |
| 1297 306 120 | <b>141.163</b> | MAN      | 007B 28 | 1297 332 002 |                | MAN          | 007B 12 | 1297 332 035 | <b>150.137</b> | RVI          | 014B 11 |
| 1297 306 120 | <b>141.163</b> | MAN      | 007B 32 | 1297 332 002 |                | IVE          | 009B 14 | 1297 332 035 | <b>150.137</b> | DAF          | 018B 11 |
| 1297 306 120 | <b>141.163</b> | MAN      | 008B 30 | 1297 332 002 |                | IVE          | 009B 14 | 1297 332 035 | <b>150.137</b> | DAF          | 019B 11 |
| 1297 306 120 | <b>141.163</b> | MAN      | 008B 34 | 1297 332 002 |                | IVE          | 010B 14 | 1297 332 035 | <b>150.137</b> | DAF          | 019B 11 |
| 1297 306 120 | <b>141.163</b> | IVE      | 010B 29 | 1297 332 002 |                | IVE          | 011B 12 | 1297 332 035 | <b>150.137</b> | DAF          | 020B 11 |
| 1297 306 120 | <b>141.163</b> | IVE      | 011B 28 | 1297 332 002 |                | IVE          | 012B 12 | 1297 332 035 | <b>150.137</b> | DAF          | 020B 11 |
| 1297 306 120 | <b>141.163</b> | IVE      | 011B 32 | 1297 332 002 |                | RVI          | 014B 14 | 1297 332 035 | <b>150.137</b> | VOL          | 024B 11 |
| 1297 306 120 | <b>141.163</b> | IVE      | 012B 28 | 1297 332 002 |                | RVI          | 015B 12 | 1297 332 035 | <b>150.137</b> | VOL          | 024B 11 |
| 1297 306 120 | <b>141.163</b> | IVE      | 012B 32 | 1297 332 002 |                | RVI          | 016B 12 | 1297 332 035 | <b>150.137</b> | VOL          | 025B 11 |
| 1297 306 120 | <b>141.163</b> | IVE      | 013B 30 | 1297 332 002 |                | DAF          | 018B 14 | 1297 332 036 | See            | 1297 332 080 |         |
| 1297 306 120 | <b>141.163</b> | IVE      | 013B 34 | 1297 332 002 |                | DAF          | 019B 14 | 1297 332 080 | <b>123.217</b> | MB           | 001B 10 |
| 1297 306 120 | <b>141.163</b> | RVI      | 015B 28 | 1297 332 002 |                | DAF          | 019B 14 | 1297 332 080 | <b>123.217</b> | MB           | 002B 10 |
| 1297 306 120 | <b>141.163</b> | RVI      | 015B 32 | 1297 332 002 |                | DAF          | 020B 14 | 1297 332 080 | <b>123.217</b> | MB           | 003B 9  |
| 1297 306 120 | <b>141.163</b> | RVI      | 016B 28 | 1297 332 002 |                | DAF          | 020B 14 | 1297 332 080 | <b>123.217</b> | MAN          | 004B 10 |
| 1297 306 120 | <b>141.163</b> | RVI      | 016B 32 | 1297 332 002 |                | DAF          | 021B 12 | 1297 332 080 | <b>123.217</b> | MAN          | 005B 10 |
| 1297 306 120 | <b>141.163</b> | RVI      | 017B 30 | 1297 332 002 |                | DAF          | 022B 12 | 1297 332 080 | <b>123.217</b> | MAN          | 006B 9  |
| 1297 306 120 | <b>141.163</b> | RVI      | 017B 34 | 1297 332 002 |                | VOL          | 024B 14 | 1297 332 080 | <b>123.217</b> | IVE          | 009B 10 |
| 1297 306 120 | <b>141.163</b> | DAF      | 020B 29 | 1297 332 002 |                | VOL          | 024B 14 | 1297 332 080 | <b>123.217</b> | IVE          | 010B 10 |
| 1297 306 120 | <b>141.163</b> | DAF      | 021B 28 | 1297 332 002 |                | VOL          | 025B 14 | 1297 332 080 | <b>123.217</b> | IVE          | 011B 9  |
| 1297 306 120 | <b>141.163</b> | DAF      | 021B 32 | 1297 332 005 | See            | 1297 332 109 |         | 1297 332 080 | <b>123.217</b> | DAF          | 018B 10 |
| 1297 306 120 | <b>141.163</b> | DAF      | 022B 28 | 1297 332 017 | <b>150.138</b> | MB           | 001B 11 | 1297 332 080 | <b>123.217</b> | DAF          | 019B 10 |
| 1297 306 120 | <b>141.163</b> | DAF      | 022B 32 | 1297 332 017 | <b>150.138</b> | MB           | 002B 11 | 1297 332 080 | <b>123.217</b> | DAF          | 020B 10 |
| 1297 306 120 | <b>141.163</b> | DAF      | 023B 30 | 1297 332 017 | <b>150.138</b> | MAN          | 004B 11 | 1297 332 080 | <b>123.217</b> | DAF          | 021B 9  |
| 1297 306 120 | <b>141.163</b> | DAF      | 023B 34 | 1297 332 017 | <b>150.138</b> | MAN          | 005B 11 | 1297 332 080 | <b>123.217</b> | VOL          | 024B 10 |
| 1297 306 120 | <b>141.163</b> | VOL      | 025B 29 | 1297 332 017 | <b>150.138</b> | IVE          | 009B 11 | 1297 332 080 | <b>123.217</b> | VOL          | 025B 10 |
| 1297 312 007 |                | MB       | 001B 34 | 1297 332 017 | <b>150.138</b> | IVE          | 010B 11 | 1297 332 108 |                | MB           | 003B 10 |
| 1297 312 007 |                | MAN      | 004B 34 | 1297 332 017 | <b>150.138</b> | DAF          | 018B 11 | 1297 332 108 |                | MAN          | 006B 10 |
| 1297 312 007 |                | DAF      | 018B 34 | 1297 332 017 | <b>150.138</b> | DAF          | 019B 11 | 1297 332 108 |                | IVE          | 011B 10 |
| 1297 312 008 |                | MB       | 002B 34 | 1297 332 017 | <b>150.138</b> | DAF          | 020B 11 | 1297 332 108 |                | DAF          | 021B 10 |
| 1297 312 008 |                | MAN      | 005B 34 | 1297 332 017 | <b>150.138</b> | VOL          | 024B 11 | 1297 332 109 | <b>107.163</b> | MB           | 001B 2  |
| 1297 312 008 |                | IVE      | 009B 34 | 1297 332 017 | <b>150.138</b> | VOL          | 025B 11 | 1297 332 109 | <b>107.163</b> | MB           | 002B 2  |
| 1297 312 008 |                | IVE      | 010B 35 | 1297 332 022 | See            | 1297 232 023 |         | 1297 332 109 | <b>107.163</b> | MB           | 002B 2  |
| 1297 312 008 |                | DAF      | 019B 34 | 1297 332 028 | See            | 1297 232 024 |         | 1297 332 109 | <b>107.163</b> | MB           | 003B 2  |
| 1297 312 008 |                | DAF      | 020B 35 | 1297 332 033 | See            | 1295 332 086 |         | 1297 332 109 | <b>107.163</b> | MAN          | 004B 2  |
| 1297 312 008 |                | VOL      | 024B 34 | 1297 332 035 | <b>150.137</b> | MB           | 001B 11 | 1297 332 109 | <b>107.163</b> | MAN          | 005B 2  |
| 1297 312 008 |                | VOL      | 025B 35 | 1297 332 035 | <b>150.137</b> | MB           | 002B 11 | 1297 332 109 | <b>107.163</b> | MAN          | 005B 2  |
| 1297 332 002 |                | MB       | 001B 14 | 1297 332 035 | <b>150.137</b> | MB           | 002B 11 | 1297 332 109 | <b>107.163</b> | MAN          | 006B 2  |
| 1297 332 002 |                | MB       | 002B 14 | 1297 332 035 | <b>150.137</b> | MAN          | 004B 11 | 1297 332 109 | <b>107.163</b> | IVE          | 009B 2  |
| 1297 332 002 |                | MB       | 002B 14 | 1297 332 035 | <b>150.137</b> | MAN          | 005B 11 | 1297 332 109 | <b>107.163</b> | IVE          | 009B 2  |
| 1297 332 002 |                | MAN      | 004B 14 | 1297 332 035 | <b>150.137</b> | MAN          | 005B 11 | 1297 332 109 | <b>107.163</b> | IVE          | 010B 2  |

Date

03 / 2006

Table

Index

ZF references index  
Indice riferimenti ZF

| Ref. ZF      | Ref. CEI | OEM | Tav. | Fig. | Ref. ZF      | Ref. CEI | OEM | Tav. | Fig. | Ref. ZF      | Ref. CEI | OEM | Tav. | Fig. |
|--------------|----------|-----|------|------|--------------|----------|-----|------|------|--------------|----------|-----|------|------|
| 1297 332 109 | 107.163  | IVE | 011B | 2    | 1297 333 115 | 157.183  | MAN | 005B | 17   | 1297 334 056 |          | MB  | 003B | 43   |
| 1297 332 109 | 107.163  | RVI | 014B | 2    | 1297 333 115 | 157.183  | MAN | 006B | 16   | 1297 334 056 |          | MAN | 005B | 44   |
| 1297 332 109 | 107.163  | DAF | 018B | 2    | 1297 333 115 | 157.183  | MAN | 007B | 16   | 1297 334 056 |          | MAN | 006B | 43   |
| 1297 332 109 | 107.163  | DAF | 019B | 2    | 1297 333 115 | 157.183  | IVE | 009B | 17   | 1297 334 056 |          | IVE | 009B | 44   |
| 1297 332 109 | 107.163  | DAF | 019B | 2    | 1297 333 115 | 157.183  | IVE | 010B | 17   | 1297 334 056 |          | IVE | 010B | 45   |
| 1297 332 109 | 107.163  | DAF | 020B | 2    | 1297 333 115 | 157.183  | IVE | 011B | 16   | 1297 334 056 |          | IVE | 011B | 43   |
| 1297 332 109 | 107.163  | DAF | 020B | 2    | 1297 333 115 | 157.183  | IVE | 012B | 16   | 1297 334 056 |          | RVI | 015B | 43   |
| 1297 332 109 | 107.163  | DAF | 021B | 2    | 1297 333 115 | 157.183  | RVI | 016B | 16   | 1297 334 056 |          | DAF | 019B | 44   |
| 1297 332 109 | 107.163  | VOL | 024B | 2    | 1297 333 115 | 157.183  | DAF | 019B | 17   | 1297 334 056 |          | DAF | 021B | 43   |
| 1297 332 109 | 107.163  | VOL | 024B | 2    | 1297 333 115 | 157.183  | DAF | 021B | 16   | 1297 338 010 |          | MB  | 001B | 27   |
| 1297 332 109 | 107.163  | VOL | 025B | 2    | 1297 333 115 | 157.183  | DAF | 022B | 16   | 1297 338 010 |          | MB  | 002B | 27   |
| 1297 332 120 | 150.134  | MB  | 002B | 11   | 1297 333 117 |          | MB  | 002B | 23   | 1297 338 010 |          | MB  | 002B | 27   |
| 1297 332 120 | 150.134  | MB  | 003B | 10   | 1297 333 117 |          | MAN | 005B | 23   | 1297 338 010 |          | MAN | 004B | 27   |
| 1297 332 120 | 150.134  | MAN | 005B | 11   | 1297 333 117 |          | IVE | 009B | 23   | 1297 338 010 |          | MAN | 005B | 27   |
| 1297 332 120 | 150.134  | MAN | 006B | 10   | 1297 333 117 |          | RVI | 014B | 23   | 1297 338 010 |          | MAN | 005B | 27   |
| 1297 332 120 | 150.134  | MAN | 007B | 10   | 1297 333 117 |          | DAF | 019B | 23   | 1297 338 010 |          | IVE | 009B | 27   |
| 1297 332 120 | 150.134  | IVE | 009B | 11   | 1297 333 117 |          | VOL | 024B | 23   | 1297 338 010 |          | IVE | 009B | 27   |
| 1297 332 120 | 150.134  | IVE | 010B | 11   | 1297 333 118 |          | MB  | 002B | 23   | 1297 338 010 |          | RVI | 014B | 27   |
| 1297 332 120 | 150.134  | IVE | 011B | 10   | 1297 333 118 |          | MB  | 002B | 23   | 1297 338 010 |          | DAF | 018B | 27   |
| 1297 332 120 | 150.134  | IVE | 012B | 10   | 1297 333 118 |          | MAN | 005B | 23   | 1297 338 010 |          | DAF | 019B | 27   |
| 1297 332 120 | 150.134  | RVI | 016B | 10   | 1297 333 118 |          | MAN | 005B | 23   | 1297 338 010 |          | DAF | 019B | 27   |
| 1297 332 120 | 150.134  | DAF | 019B | 11   | 1297 333 118 |          | MAN | 006B | 22   | 1297 338 010 |          | VOL | 024B | 27   |
| 1297 332 120 | 150.134  | DAF | 021B | 10   | 1297 333 118 |          | IVE | 009B | 23   | 1297 338 010 |          | VOL | 024B | 27   |
| 1297 332 120 | 150.134  | DAF | 022B | 10   | 1297 333 118 |          | IVE | 009B | 23   | 1297 338 010 |          | VOL | 025B | 27   |
| 1297 333 110 |          | MB  | 002B | 27   | 1297 333 118 |          | IVE | 011B | 22   | 1297 338 038 |          | MB  | 001B | 27   |
| 1297 333 110 |          | MB  | 003B | 26   | 1297 333 118 |          | RVI | 014B | 23   | 1297 338 038 |          | MB  | 002B | 27   |
| 1297 333 110 |          | MAN | 005B | 27   | 1297 333 118 |          | RVI | 015B | 22   | 1297 338 038 |          | MAN | 005B | 27   |
| 1297 333 110 |          | MAN | 006B | 26   | 1297 333 118 |          | DAF | 019B | 23   | 1297 338 038 |          | IVE | 009B | 27   |
| 1297 333 110 |          | MAN | 007B | 27   | 1297 333 118 |          | DAF | 019B | 23   | 1297 338 038 |          | DAF | 019B | 27   |
| 1297 333 110 |          | MAN | 008B | 29   | 1297 333 118 |          | DAF | 021B | 22   | 1297 338 038 |          | VOL | 024B | 27   |
| 1297 333 110 |          | IVE | 009B | 27   | 1297 333 118 |          | VOL | 024B | 23   | 1297 338 041 |          | MB  | 001B | 27   |
| 1297 333 110 |          | IVE | 010B | 27   | 1297 333 118 |          | VOL | 024B | 23   | 1297 338 041 |          | MB  | 002B | 27   |
| 1297 333 110 |          | IVE | 011B | 26   | 1297 334 055 |          | MB  | 002B | 45   | 1297 338 041 |          | MB  | 002B | 27   |
| 1297 333 110 |          | IVE | 012B | 27   | 1297 334 055 |          | MB  | 003B | 44   | 1297 338 041 |          | MAN | 004B | 27   |
| 1297 333 110 |          | IVE | 013B | 29   | 1297 334 055 |          | MAN | 005B | 45   | 1297 338 041 |          | MAN | 005B | 27   |
| 1297 333 110 |          | RVI | 016B | 27   | 1297 334 055 |          | MAN | 006B | 44   | 1297 338 041 |          | MAN | 005B | 27   |
| 1297 333 110 |          | RVI | 017B | 29   | 1297 334 055 |          | IVE | 009B | 45   | 1297 338 041 |          | IVE | 009B | 27   |
| 1297 333 110 |          | DAF | 019B | 27   | 1297 334 055 |          | IVE | 010B | 46   | 1297 338 041 |          | IVE | 009B | 27   |
| 1297 333 110 |          | DAF | 021B | 26   | 1297 334 055 |          | IVE | 011B | 44   | 1297 338 041 |          | IVE | 010B | 27   |
| 1297 333 110 |          | DAF | 022B | 27   | 1297 334 055 |          | RVI | 015B | 44   | 1297 338 041 |          | RVI | 014B | 27   |
| 1297 333 110 |          | DAF | 023B | 29   | 1297 334 055 |          | DAF | 019B | 45   | 1297 338 041 |          | DAF | 018B | 27   |
| 1297 333 115 | 157.183  | MB  | 002B | 17   | 1297 334 055 |          | DAF | 021B | 44   | 1297 338 041 |          | DAF | 019B | 27   |
| 1297 333 115 | 157.183  | MB  | 003B | 16   | 1297 334 056 |          | MB  | 002B | 44   | 1297 338 041 |          | DAF | 019B | 27   |

Date

03 / 2006

Table

Index

| Ref. ZF      | Ref. CEI       | OEM Tav.     | Fig.    | Ref. ZF      | Ref. CEI       | OEM Tav.     | Fig.    | Ref. ZF      | Ref. CEI       | OEM Tav.     | Fig.    |
|--------------|----------------|--------------|---------|--------------|----------------|--------------|---------|--------------|----------------|--------------|---------|
| 1297 338 041 |                | DAF          | 020B 27 | 1310 304 202 | <b>154.135</b> | MAN          | 007A 24 | 1312 206 026 |                | MB           | 003B 29 |
| 1297 338 041 |                | DAF          | 020B 27 | 1310 304 202 | <b>154.135</b> | MAN          | 007A 36 | 1312 206 026 |                | MAN          | 006B 29 |
| 1297 338 041 |                | VOL          | 024B 27 | 1310 304 202 | <b>154.135</b> | MAN          | 008A 23 | 1312 206 026 |                | IVE          | 011B 29 |
| 1297 338 041 |                | VOL          | 024B 27 | 1310 304 202 | <b>154.135</b> | MAN          | 008A 36 | 1312 206 026 |                | DAF          | 021B 29 |
| 1297 338 051 |                | VOL          | 025B 27 | 1310 304 202 | <b>154.135</b> | IVE          | 010A 36 | 1312 206 027 |                | MB           | 003B 31 |
| 1304 304 134 | See            | 1295 304 004 |         | 1310 304 202 | <b>154.135</b> | IVE          | 011A 18 | 1312 206 027 |                | MAN          | 006B 31 |
| 1304 304 686 | <b>119.175</b> | MB           | 001A 14 | 1310 304 202 | <b>154.135</b> | IVE          | 011A 30 | 1312 206 027 |                | IVE          | 011B 31 |
| 1304 304 686 | <b>119.175</b> | MB           | 002A 10 | 1310 304 202 | <b>154.135</b> | IVE          | 012A 24 | 1312 206 027 |                | DAF          | 021B 31 |
| 1304 304 686 | <b>119.175</b> | MB           | 002A 32 | 1310 304 202 | <b>154.135</b> | IVE          | 012A 36 | 1312 206 028 |                | MB           | 003B 31 |
| 1304 304 686 | <b>119.175</b> | MAN          | 004A 14 | 1310 304 202 | <b>154.135</b> | IVE          | 013A 23 | 1312 206 028 |                | MAN          | 006B 31 |
| 1304 304 686 | <b>119.175</b> | MAN          | 005A 10 | 1310 304 202 | <b>154.135</b> | IVE          | 013A 36 | 1312 206 028 |                | IVE          | 011B 31 |
| 1304 304 686 | <b>119.175</b> | MAN          | 005A 32 | 1310 304 202 | <b>154.135</b> | RVI          | 015A 18 | 1312 206 028 |                | DAF          | 021B 31 |
| 1304 304 686 | <b>119.175</b> | IVE          | 009A 10 | 1310 304 202 | <b>154.135</b> | RVI          | 015A 30 | 1312 206 033 |                | MB           | 003B 31 |
| 1304 304 686 | <b>119.175</b> | IVE          | 009A 32 | 1310 304 202 | <b>154.135</b> | RVI          | 016A 24 | 1312 206 033 |                | MAN          | 006B 31 |
| 1304 304 686 | <b>119.175</b> | IVE          | 010A 10 | 1310 304 202 | <b>154.135</b> | RVI          | 016A 36 | 1312 206 033 |                | IVE          | 011B 31 |
| 1304 304 686 | <b>119.175</b> | RVI          | 014A 10 | 1310 304 202 | <b>154.135</b> | RVI          | 017A 23 | 1312 206 033 |                | DAF          | 021B 31 |
| 1304 304 686 | <b>119.175</b> | RVI          | 014A 32 | 1310 304 202 | <b>154.135</b> | RVI          | 017A 36 | 1312 206 043 |                | MB           | 003B 30 |
| 1304 304 686 | <b>119.175</b> | DAF          | 018A 14 | 1310 304 202 | <b>154.135</b> | DAF          | 020A 36 | 1312 206 043 |                | MAN          | 006B 30 |
| 1304 304 686 | <b>119.175</b> | DAF          | 019A 10 | 1310 304 202 | <b>154.135</b> | DAF          | 021A 18 | 1312 206 043 |                | IVE          | 011B 30 |
| 1304 304 686 | <b>119.175</b> | DAF          | 019A 32 | 1310 304 202 | <b>154.135</b> | DAF          | 021A 30 | 1312 206 043 |                | DAF          | 021B 30 |
| 1304 304 686 | <b>119.175</b> | DAF          | 020A 10 | 1310 304 202 | <b>154.135</b> | DAF          | 022A 24 | 1312 206 045 |                | MB           | 003B 29 |
| 1304 304 686 | <b>119.175</b> | VOL          | 024A 10 | 1310 304 202 | <b>154.135</b> | DAF          | 022A 36 | 1312 206 045 |                | MAN          | 006B 29 |
| 1304 304 686 | <b>119.175</b> | VOL          | 024A 32 | 1310 304 202 | <b>154.135</b> | DAF          | 023A 23 | 1312 206 045 |                | IVE          | 011B 29 |
| 1304 304 686 | <b>119.175</b> | VOL          | 025A 10 | 1310 304 202 | <b>154.135</b> | DAF          | 023A 36 | 1312 206 045 |                | DAF          | 021B 29 |
| 1305 203 001 | See            | 1315 202 014 |         | 1310 304 202 | <b>154.135</b> | VOL          | 025A 36 | 1312 232 013 | See            | 1316 232 005 |         |
| 1310 304 067 | See            | 1316 304 078 |         | 1312 202 017 | See            | 1312 302 095 |         | 1312 232 014 | <b>198.801</b> | MB           | 002B 8  |
| 1310 304 174 | See            | 1310 304 202 |         | 1312 202 036 |                | DAF          | 021A 11 | 1312 232 014 | <b>198.801</b> | MB           | 003B 8  |
| 1310 304 175 | <b>154.190</b> | MB           | 003A 47 | 1312 202 037 | 102.244        | MB           | 003A 11 | 1312 232 014 | <b>198.801</b> | MAN          | 005B 8  |
| 1310 304 175 | <b>154.190</b> | MAN          | 006A 47 | 1312 202 037 | 102.244        | MAN          | 006A 11 | 1312 232 014 | <b>198.801</b> | MAN          | 006B 8  |
| 1310 304 175 | <b>154.190</b> | MAN          | 007A 48 | 1312 202 038 | 102.238        | IVE          | 011A 11 | 1312 232 014 | <b>198.801</b> | MAN          | 007B 8  |
| 1310 304 175 | <b>154.190</b> | MAN          | 008A 48 | 1312 202 039 | 102.243        | MAN          | 006A 11 | 1312 232 014 | <b>198.801</b> | IVE          | 009B 8  |
| 1310 304 175 | <b>154.190</b> | IVE          | 011A 47 | 1312 206 013 |                | MB           | 003B 30 | 1312 232 014 | <b>198.801</b> | IVE          | 010B 8  |
| 1310 304 175 | <b>154.190</b> | IVE          | 012A 48 | 1312 206 013 |                | MAN          | 006B 30 | 1312 232 014 | <b>198.801</b> | IVE          | 011B 8  |
| 1310 304 175 | <b>154.190</b> | IVE          | 013A 48 | 1312 206 013 |                | IVE          | 011B 30 | 1312 232 014 | <b>198.801</b> | IVE          | 012B 8  |
| 1310 304 175 | <b>154.190</b> | RVI          | 016A 48 | 1312 206 013 |                | DAF          | 021B 30 | 1312 232 014 | <b>198.801</b> | RVI          | 016B 8  |
| 1310 304 175 | <b>154.190</b> | RVI          | 017A 48 | 1312 206 017 |                | MB           | 003B 30 | 1312 232 014 | <b>198.801</b> | DAF          | 019B 8  |
| 1310 304 175 | <b>154.190</b> | DAF          | 021A 47 | 1312 206 017 |                | MAN          | 006B 30 | 1312 232 014 | <b>198.801</b> | DAF          | 021B 8  |
| 1310 304 175 | <b>154.190</b> | DAF          | 022A 48 | 1312 206 017 |                | IVE          | 011B 30 | 1312 232 014 | <b>198.801</b> | DAF          | 022B 8  |
| 1310 304 175 | <b>154.190</b> | DAF          | 023A 48 | 1312 206 017 |                | DAF          | 021B 30 | 1312 232 015 | See            | 1316 232 006 |         |
| 1310 304 202 | <b>154.135</b> | MB           | 003A 18 | 1312 206 025 |                | MB           | 003B 29 | 1312 232 016 |                | MB           | 003B 1  |
| 1310 304 202 | <b>154.135</b> | MB           | 003A 30 | 1312 206 025 |                | MAN          | 006B 29 | 1312 232 016 |                | MAN          | 006B 1  |
| 1310 304 202 | <b>154.135</b> | MAN          | 006A 18 | 1312 206 025 |                | IVE          | 011B 29 | 1312 232 016 |                | IVE          | 011B 1  |
| 1310 304 202 | <b>154.135</b> | MAN          | 006A 30 | 1312 206 025 |                | DAF          | 021B 29 | 1312 232 016 |                | DAF          | 021B 1  |

Date

03 / 2006

Table

Index

| Ref. ZF      | Ref. CEI | OEM          | Tav. | Fig. | Ref. ZF      | Ref. CEI | OEM | Tav. | Fig. | Ref. ZF      | Ref. CEI | OEM          | Tav. | Fig. |
|--------------|----------|--------------|------|------|--------------|----------|-----|------|------|--------------|----------|--------------|------|------|
| 1312 234 002 | 149.171  | MB           | 001B | 42   | 1312 302 074 | 145.490  | IVE | 011A | 8    | 1312 303 017 | 146.417  | IVE          | 011A | 59   |
| 1312 234 002 | 149.171  | MB           | 002B | 42   | 1312 302 074 | 145.490  | DAF | 021A | 8    | 1312 303 017 | 146.417  | DAF          | 021A | 59   |
| 1312 234 002 | 149.171  | MB           | 003B | 45   | 1312 302 077 |          | MB  | 003A | 8    | 1312 303 020 | 146.423  | MB           | 003A | 60   |
| 1312 234 002 | 149.171  | MAN          | 004B | 42   | 1312 302 077 |          | MAN | 006A | 8    | 1312 303 020 | 146.423  | MAN          | 006A | 60   |
| 1312 234 002 | 149.171  | MAN          | 005B | 42   | 1312 302 077 |          | IVE | 011A | 8    | 1312 303 020 | 146.423  | IVE          | 011A | 60   |
| 1312 234 002 | 149.171  | MAN          | 006B | 45   | 1312 302 077 |          | DAF | 021A | 8    | 1312 303 020 | 146.423  | DAF          | 021A | 60   |
| 1312 234 002 | 149.171  | IVE          | 009B | 42   | 1312 302 095 |          | MB  | 003A | 15   | 1312 303 021 | 146.424  | MB           | 003A | 60   |
| 1312 234 002 | 149.171  | IVE          | 010B | 43   | 1312 302 095 |          | MAN | 006A | 15   | 1312 303 021 | 146.424  | MAN          | 006A | 60   |
| 1312 234 002 | 149.171  | IVE          | 011B | 45   | 1312 302 095 |          | IVE | 011A | 15   | 1312 303 021 | 146.424  | IVE          | 011A | 60   |
| 1312 234 002 | 149.171  | RVI          | 014B | 42   | 1312 302 095 |          | RVI | 015A | 15   | 1312 303 021 | 146.424  | DAF          | 021A | 60   |
| 1312 234 002 | 149.171  | DAF          | 018B | 42   | 1312 302 095 |          | DAF | 021A | 15   | 1312 303 036 |          | MB           | 003A | 60   |
| 1312 234 002 | 149.171  | DAF          | 019B | 42   | 1312 302 096 |          | MAN | 006A | 1    | 1312 303 036 |          | MAN          | 006A | 60   |
| 1312 234 002 | 149.171  | DAF          | 020B | 43   | 1312 302 096 |          | DAF | 021A | 1    | 1312 303 036 |          | IVE          | 011A | 60   |
| 1312 234 002 | 149.171  | DAF          | 021B | 45   | 1312 303 003 |          | MB  | 003A | 58   | 1312 303 036 |          | DAF          | 021A | 60   |
| 1312 234 002 | 149.171  | VOL          | 024B | 42   | 1312 303 003 |          | MAN | 006A | 58   | 1312 303 037 |          | MB           | 003A | 61   |
| 1312 234 002 | 149.171  | VOL          | 025B | 43   | 1312 303 003 |          | IVE | 011A | 58   | 1312 303 037 |          | MAN          | 006A | 61   |
| 1312 234 004 |          | MB           | 003B | 45   | 1312 303 003 |          | DAF | 021A | 58   | 1312 303 037 |          | IVE          | 011A | 61   |
| 1312 234 004 |          | MAN          | 006B | 45   | 1312 303 005 | 146.412  | MB  | 003A | 58   | 1312 303 037 |          | DAF          | 021A | 61   |
| 1312 234 004 |          | IVE          | 011B | 45   | 1312 303 005 | 146.412  | MAN | 006A | 58   | 1312 304 008 |          | MB           | 003A | 49   |
| 1312 234 004 |          | DAF          | 021B | 45   | 1312 303 005 | 146.412  | IVE | 011A | 58   | 1312 304 008 |          | MAN          | 006A | 49   |
| 1312 298 902 |          | MB           | 003A | 68   | 1312 303 005 | 146.412  | DAF | 021A | 58   | 1312 304 008 |          | IVE          | 011A | 49   |
| 1312 298 902 |          | MB           | 003B | 49   | 1312 303 006 | 146.411  | MB  | 003A | 58   | 1312 304 008 |          | DAF          | 021A | 49   |
| 1312 298 902 |          | MAN          | 006A | 68   | 1312 303 006 | 146.411  | MAN | 006A | 58   | 1312 304 011 |          | MB           | 003A | 52   |
| 1312 298 902 |          | MAN          | 006B | 49   | 1312 303 006 | 146.411  | IVE | 011A | 58   | 1312 304 011 |          | MAN          | 006A | 52   |
| 1312 298 902 |          | IVE          | 011A | 68   | 1312 303 006 | 146.411  | DAF | 021A | 58   | 1312 304 011 |          | IVE          | 011A | 52   |
| 1312 298 902 |          | IVE          | 011B | 49   | 1312 303 008 | 105.108  | MB  | 003A | 61   | 1312 304 011 |          | DAF          | 021A | 52   |
| 1312 298 902 |          | RVI          | 015A | 68   | 1312 303 008 | 105.108  | MAN | 006A | 61   | 1312 304 024 | See      | 1312 304 136 |      |      |
| 1312 298 902 |          | RVI          | 015B | 49   | 1312 303 008 | 105.108  | IVE | 011A | 61   | 1312 304 027 | 109.134  | MB           | 003A | 9    |
| 1312 298 902 |          | DAF          | 021A | 68   | 1312 303 008 | 105.108  | DAF | 021A | 61   | 1312 304 027 | 109.134  | MB           | 003A | 27   |
| 1312 298 902 |          | DAF          | 021B | 49   | 1312 303 009 | 105.107  | MB  | 003A | 61   | 1312 304 027 | 109.134  | MAN          | 006A | 9    |
| 1312 302 036 |          | MB           | 003A | 1    | 1312 303 009 | 105.107  | MAN | 006A | 61   | 1312 304 027 | 109.134  | MAN          | 006A | 27   |
| 1312 302 036 |          | MAN          | 006A | 1    | 1312 303 009 | 105.107  | IVE | 011A | 61   | 1312 304 027 | 109.134  | MAN          | 007A | 22   |
| 1312 302 044 |          | IVE          | 011A | 1    | 1312 303 009 | 105.107  | DAF | 021A | 61   | 1312 304 027 | 109.134  | MAN          | 007A | 33   |
| 1312 302 047 |          | IVE          | 011A | 1    | 1312 303 014 |          | MB  | 003A | 59   | 1312 304 027 | 109.134  | MAN          | 008A | 18   |
| 1312 302 054 |          | IVE          | 011A | 1    | 1312 303 014 |          | MAN | 006A | 59   | 1312 304 027 | 109.134  | MAN          | 008A | 33   |
| 1312 302 055 | See      | 1310 304 202 |      |      | 1312 303 014 |          | IVE | 011A | 59   | 1312 304 027 | 109.134  | IVE          | 011A | 9    |
| 1312 302 057 | See      | 1310 304 202 |      |      | 1312 303 014 |          | DAF | 021A | 59   | 1312 304 027 | 109.134  | IVE          | 011A | 27   |
| 1312 302 073 | 145.491  | MB           | 003A | 8    | 1312 303 016 | 146.418  | MB  | 003A | 59   | 1312 304 027 | 109.134  | IVE          | 012A | 22   |
| 1312 302 073 | 145.491  | MAN          | 006A | 8    | 1312 303 016 | 146.418  | MAN | 006A | 59   | 1312 304 027 | 109.134  | IVE          | 012A | 33   |
| 1312 302 073 | 145.491  | IVE          | 011A | 8    | 1312 303 016 | 146.418  | IVE | 011A | 59   | 1312 304 027 | 109.134  | IVE          | 013A | 18   |
| 1312 302 073 | 145.491  | DAF          | 021A | 8    | 1312 303 016 | 146.418  | DAF | 021A | 59   | 1312 304 027 | 109.134  | IVE          | 013A | 33   |
| 1312 302 074 | 145.490  | MB           | 003A | 8    | 1312 303 017 | 146.417  | MB  | 003A | 59   | 1312 304 027 | 109.134  | RVI          | 015A | 9    |
| 1312 302 074 | 145.490  | MAN          | 006A | 8    | 1312 303 017 | 146.417  | MAN | 006A | 59   | 1312 304 027 | 109.134  | RVI          | 015A | 27   |

Date

03 / 2006

Table

Index

| Ref. ZF      | Ref. CEI       | OEM Tav.     | Fig.    | Ref. ZF      | Ref. CEI       | OEM Tav.     | Fig.    | Ref. ZF      | Ref. CEI       | OEM Tav.     | Fig.    |
|--------------|----------------|--------------|---------|--------------|----------------|--------------|---------|--------------|----------------|--------------|---------|
| 1312 304 027 | <b>109.134</b> | RVI          | 016A 22 | 1312 304 056 | <b>109.133</b> | MAN          | 008A 24 | 1312 304 086 | <i>145.509</i> | MB           | 003A 50 |
| 1312 304 027 | <b>109.134</b> | RVI          | 016A 33 | 1312 304 056 | <b>109.133</b> | IVE          | 011A 19 | 1312 304 086 | <i>145.509</i> | MAN          | 006A 50 |
| 1312 304 027 | <b>109.134</b> | RVI          | 017A 18 | 1312 304 056 | <b>109.133</b> | IVE          | 012A 25 | 1312 304 086 | <i>145.509</i> | IVE          | 011A 50 |
| 1312 304 027 | <b>109.134</b> | RVI          | 017A 33 | 1312 304 056 | <b>109.133</b> | IVE          | 013A 24 | 1312 304 086 | <i>145.509</i> | DAF          | 021A 50 |
| 1312 304 027 | <b>109.134</b> | DAF          | 021A 9  | 1312 304 056 | <b>109.133</b> | RVI          | 015A 19 | 1312 304 087 | <i>147.139</i> | MB           | 003A 54 |
| 1312 304 027 | <b>109.134</b> | DAF          | 021A 27 | 1312 304 056 | <b>109.133</b> | RVI          | 016A 25 | 1312 304 087 | <i>147.139</i> | MAN          | 006A 54 |
| 1312 304 027 | <b>109.134</b> | DAF          | 022A 22 | 1312 304 056 | <b>109.133</b> | RVI          | 017A 24 | 1312 304 087 | <i>147.139</i> | IVE          | 011A 54 |
| 1312 304 027 | <b>109.134</b> | DAF          | 022A 33 | 1312 304 056 | <b>109.133</b> | DAF          | 021A 19 | 1312 304 087 | <i>147.139</i> | DAF          | 021A 54 |
| 1312 304 027 | <b>109.134</b> | DAF          | 023A 18 | 1312 304 056 | <b>109.133</b> | DAF          | 022A 25 | 1312 304 088 | <i>147.141</i> | MB           | 003A 54 |
| 1312 304 027 | <b>109.134</b> | DAF          | 023A 33 | 1312 304 056 | <b>109.133</b> | DAF          | 023A 24 | 1312 304 088 | <i>147.141</i> | MAN          | 006A 54 |
| 1312 304 029 |                | MB           | 003A 26 | 1312 304 075 |                | MB           | 003A 31 | 1312 304 088 | <i>147.141</i> | IVE          | 011A 54 |
| 1312 304 029 |                | MAN          | 006A 26 | 1312 304 075 |                | MAN          | 006A 31 | 1312 304 088 | <i>147.141</i> | DAF          | 021A 54 |
| 1312 304 029 |                | IVE          | 011A 26 | 1312 304 075 |                | IVE          | 011A 31 | 1312 304 092 |                | MB           | 003A 41 |
| 1312 304 029 |                | DAF          | 021A 26 | 1312 304 075 |                | DAF          | 021A 31 | 1312 304 092 |                | MAN          | 006A 41 |
| 1312 304 031 | <i>146.317</i> | MB           | 003A 26 | 1312 304 077 |                | MB           | 003A 50 | 1312 304 092 |                | IVE          | 011A 41 |
| 1312 304 031 | <i>146.317</i> | MAN          | 006A 26 | 1312 304 077 |                | MAN          | 006A 50 | 1312 304 092 |                | DAF          | 021A 41 |
| 1312 304 031 | <i>146.317</i> | IVE          | 011A 26 | 1312 304 077 |                | IVE          | 011A 50 | 1312 304 097 | <i>See</i>     | 1312 304 150 |         |
| 1312 304 031 | <i>146.317</i> | DAF          | 021A 26 | 1312 304 077 |                | DAF          | 021A 50 | 1312 304 106 | <b>109.176</b> | MB           | 003A 41 |
| 1312 304 032 | <b>146.425</b> | MB           | 003A 26 | 1312 304 078 |                | MB           | 003A 54 | 1312 304 106 | <b>109.176</b> | MAN          | 006A 41 |
| 1312 304 032 | <b>146.425</b> | MAN          | 006A 26 | 1312 304 078 |                | MAN          | 006A 54 | 1312 304 106 | <b>109.176</b> | MAN          | 007A 43 |
| 1312 304 032 | <b>146.425</b> | IVE          | 011A 26 | 1312 304 078 |                | IVE          | 011A 54 | 1312 304 106 | <b>109.176</b> | MAN          | 008A 43 |
| 1312 304 032 | <b>146.425</b> | DAF          | 021A 26 | 1312 304 078 |                | DAF          | 021A 54 | 1312 304 106 | <b>109.176</b> | IVE          | 011A 41 |
| 1312 304 037 |                | MB           | 003A 51 | 1312 304 082 | <i>See</i>     | 1316 304 133 |         | 1312 304 106 | <b>109.176</b> | IVE          | 012A 43 |
| 1312 304 037 |                | MAN          | 006A 51 | 1312 304 083 | <i>109.181</i> | MB           | 003A 51 | 1312 304 106 | <b>109.176</b> | IVE          | 013A 43 |
| 1312 304 037 |                | IVE          | 011A 51 | 1312 304 083 | <i>109.181</i> | MAN          | 006A 51 | 1312 304 106 | <b>109.176</b> | RVI          | 016A 43 |
| 1312 304 037 |                | DAF          | 021A 51 | 1312 304 083 | <i>109.181</i> | IVE          | 011A 51 | 1312 304 106 | <b>109.176</b> | RVI          | 017A 43 |
| 1312 304 044 | <i>See</i>     | 1312 304 139 |         | 1312 304 083 | <i>109.181</i> | DAF          | 021A 51 | 1312 304 106 | <b>109.176</b> | DAF          | 021A 41 |
| 1312 304 052 | <b>157.180</b> | MB           | 003A 29 | 1312 304 084 | <b>117.310</b> | MB           | 003A 49 | 1312 304 106 | <b>109.176</b> | DAF          | 021A 41 |
| 1312 304 052 | <b>157.180</b> | MAN          | 006A 29 | 1312 304 084 | <b>117.310</b> | MAN          | 006A 49 | 1312 304 106 | <b>109.176</b> | DAF          | 022A 43 |
| 1312 304 052 | <b>157.180</b> | MAN          | 007A 35 | 1312 304 084 | <b>117.310</b> | MAN          | 007A 55 | 1312 304 106 | <b>109.176</b> | DAF          | 023A 43 |
| 1312 304 052 | <b>157.180</b> | MAN          | 008A 35 | 1312 304 084 | <b>117.310</b> | MAN          | 008A 55 | 1312 304 124 | <b>109.163</b> | MAN          | 007A 57 |
| 1312 304 052 | <b>157.180</b> | IVE          | 011A 29 | 1312 304 084 | <b>117.310</b> | IVE          | 011A 49 | 1312 304 124 | <b>109.163</b> | MAN          | 008A 57 |
| 1312 304 052 | <b>157.180</b> | IVE          | 012A 35 | 1312 304 084 | <b>117.310</b> | IVE          | 012A 55 | 1312 304 124 | <b>109.163</b> | IVE          | 012A 57 |
| 1312 304 052 | <b>157.180</b> | IVE          | 013A 35 | 1312 304 084 | <b>117.310</b> | IVE          | 013A 55 | 1312 304 124 | <b>109.163</b> | IVE          | 013A 57 |
| 1312 304 052 | <b>157.180</b> | RVI          | 015A 29 | 1312 304 084 | <b>117.310</b> | RVI          | 016A 55 | 1312 304 124 | <b>109.163</b> | RVI          | 016A 57 |
| 1312 304 052 | <b>157.180</b> | RVI          | 016A 35 | 1312 304 084 | <b>117.310</b> | RVI          | 017A 55 | 1312 304 124 | <b>109.163</b> | RVI          | 017A 57 |
| 1312 304 052 | <b>157.180</b> | RVI          | 017A 35 | 1312 304 084 | <b>117.310</b> | DAF          | 021A 49 | 1312 304 124 | <b>109.163</b> | DAF          | 022A 57 |
| 1312 304 052 | <b>157.180</b> | DAF          | 021A 29 | 1312 304 084 | <b>117.310</b> | DAF          | 022A 55 | 1312 304 124 | <b>109.163</b> | DAF          | 023A 57 |
| 1312 304 052 | <b>157.180</b> | DAF          | 022A 35 | 1312 304 084 | <b>117.310</b> | DAF          | 023A 55 | 1312 304 134 | <i>See</i>     | 1316 304 130 |         |
| 1312 304 052 | <b>157.180</b> | DAF          | 023A 35 | 1312 304 085 | <i>145.510</i> | MB           | 003A 50 | 1312 304 136 | <i>145.497</i> | MB           | 003A 31 |
| 1312 304 056 | <b>109.133</b> | MB           | 003A 19 | 1312 304 085 | <i>145.510</i> | MAN          | 006A 50 | 1312 304 136 | <i>145.497</i> | MAN          | 006A 31 |
| 1312 304 056 | <b>109.133</b> | MAN          | 006A 19 | 1312 304 085 | <i>145.510</i> | IVE          | 011A 50 | 1312 304 136 | <i>145.497</i> | IVE          | 011A 31 |
| 1312 304 056 | <b>109.133</b> | MAN          | 007A 25 | 1312 304 085 | <i>145.510</i> | DAF          | 021A 50 | 1312 304 136 | <i>145.497</i> | DAF          | 021A 31 |

Date

03 / 2006

Table

Index

ZF references index  
Indice riferimenti ZF



| Ref. ZF      | Ref. CEI | OEM          | Tav. | Fig. | Ref. ZF      | Ref. CEI | OEM | Tav. | Fig. | Ref. ZF      | Ref. CEI | OEM | Tav. | Fig. |
|--------------|----------|--------------|------|------|--------------|----------|-----|------|------|--------------|----------|-----|------|------|
| 1312 304 137 | 145.498  | MB           | 003A | 31   | 1312 304 159 | 156.176  | MAN | 006A | 46   | 1312 332 026 | 107.165  | IVE | 010B | 2    |
| 1312 304 137 | 145.498  | MAN          | 006A | 31   | 1312 304 159 | 156.176  | MAN | 007A | 49   | 1312 332 026 | 107.165  | IVE | 011B | 2    |
| 1312 304 137 | 145.498  | IVE          | 011A | 31   | 1312 304 159 | 156.176  | MAN | 008A | 49   | 1312 332 026 | 107.165  | IVE | 012B | 2    |
| 1312 304 137 | 145.498  | DAF          | 021A | 31   | 1312 304 159 | 156.176  | IVE | 011A | 46   | 1312 332 026 | 107.165  | RVI | 016B | 2    |
| 1312 304 139 | 145.503  | MB           | 003A | 36   | 1312 304 159 | 156.176  | IVE | 012A | 49   | 1312 332 026 | 107.165  | DAF | 019B | 2    |
| 1312 304 139 | 145.503  | MAN          | 006A | 36   | 1312 304 159 | 156.176  | IVE | 013A | 49   | 1312 332 026 | 107.165  | DAF | 021B | 2    |
| 1312 304 139 | 145.503  | IVE          | 011A | 36   | 1312 304 159 | 156.176  | RVI | 016A | 49   | 1312 332 026 | 107.165  | DAF | 022B | 2    |
| 1312 304 139 | 145.503  | DAF          | 021A | 36   | 1312 304 159 | 156.176  | RVI | 017A | 49   | 1312 332 028 |          | MB  | 002B | 28   |
| 1312 304 141 | 145.504  | MB           | 003A | 36   | 1312 304 159 | 156.176  | DAF | 021A | 46   | 1312 332 028 |          | MB  | 003B | 27   |
| 1312 304 141 | 145.504  | MAN          | 006A | 36   | 1312 304 159 | 156.176  | DAF | 022A | 49   | 1312 332 028 |          | MAN | 005B | 28   |
| 1312 304 141 | 145.504  | IVE          | 011A | 36   | 1312 304 159 | 156.176  | DAF | 023A | 49   | 1312 332 028 |          | MAN | 006B | 27   |
| 1312 304 141 | 145.504  | DAF          | 021A | 36   | 1312 304 161 |          | MB  | 003A | 34   | 1312 332 028 |          | IVE | 009B | 28   |
| 1312 304 142 |          | MB           | 003A | 36   | 1312 304 161 |          | MAN | 006A | 34   | 1312 332 028 |          | IVE | 010B | 28   |
| 1312 304 142 |          | MAN          | 006A | 36   | 1312 304 161 |          | IVE | 011A | 34   | 1312 332 028 |          | IVE | 011B | 27   |
| 1312 304 142 |          | IVE          | 011A | 36   | 1312 304 161 |          | DAF | 021A | 34   | 1312 332 028 |          | DAF | 019B | 28   |
| 1312 304 142 |          | DAF          | 021A | 36   | 1312 305 003 |          | MB  | 003A | 65   | 1312 332 028 |          | DAF | 021B | 27   |
| 1312 304 150 | 188.209  | MB           | 003A | 56   | 1312 305 003 |          | MAN | 006A | 65   | 1312 333 014 |          | MB  | 003B | 22   |
| 1312 304 150 | 188.209  | MAN          | 006A | 56   | 1312 305 003 |          | IVE | 011A | 65   | 1312 333 014 |          | MAN | 006B | 22   |
| 1312 304 150 | 188.209  | MAN          | 007A | 62   | 1312 305 003 |          | DAF | 021A | 65   | 1312 333 014 |          | IVE | 011B | 22   |
| 1312 304 150 | 188.209  | MAN          | 008A | 62   | 1312 312 001 |          | MB  | 003B | 34   | 1312 333 014 |          | DAF | 021B | 22   |
| 1312 304 150 | 188.209  | IVE          | 011A | 56   | 1312 312 001 |          | MAN | 006B | 34   | 1312 333 018 |          | MAN | 007B | 27   |
| 1312 304 150 | 188.209  | IVE          | 012A | 62   | 1312 312 001 |          | IVE | 011B | 34   | 1312 333 018 |          | IVE | 012B | 27   |
| 1312 304 150 | 188.209  | IVE          | 013A | 62   | 1312 312 001 |          | DAF | 021B | 34   | 1312 333 018 |          | RVI | 016B | 27   |
| 1312 304 150 | 188.209  | RVI          | 015A | 56   | 1312 312 002 |          | MAN | 006B | 34   | 1312 333 018 |          | DAF | 022B | 27   |
| 1312 304 150 | 188.209  | RVI          | 016A | 62   | 1312 312 002 |          | IVE | 011B | 34   | 1313 202 013 | 102.234  | MAN | 006A | 11   |
| 1312 304 150 | 188.209  | RVI          | 017A | 62   | 1312 312 002 |          | RVI | 015B | 34   | 1313 202 013 | 102.234  | DAF | 021A | 11   |
| 1312 304 150 | 188.209  | DAF          | 021A | 56   | 1312 312 002 |          | DAF | 021B | 34   | 1313 202 014 | 102.242  | IVE | 011A | 11   |
| 1312 304 150 | 188.209  | DAF          | 022A | 62   | 1312 312 003 |          | MB  | 003B | 37   | 1313 202 015 | 102.241  | RVI | 015A | 11   |
| 1312 304 150 | 188.209  | DAF          | 023A | 62   | 1312 312 003 |          | MAN | 006B | 37   | 1313 202 015 | 102.241  | DAF | 021A | 11   |
| 1312 304 157 | See      | 1310 304 175 |      |      | 1312 312 003 |          | IVE | 011B | 37   | 1313 202 016 |          | MAN | 006A | 11   |
| 1312 304 158 | 157.181  | MB           | 003A | 45   | 1312 312 003 |          | RVI | 015B | 37   | 1313 206 001 |          | MAN | 006B | 30   |
| 1312 304 158 | 157.181  | MAN          | 006A | 45   | 1312 312 003 |          | DAF | 021B | 37   | 1313 206 001 |          | IVE | 011B | 30   |
| 1312 304 158 | 157.181  | MAN          | 007A | 47   | 1312 312 015 |          | MB  | 003B | 37   | 1313 206 001 |          | RVI | 015B | 30   |
| 1312 304 158 | 157.181  | MAN          | 008A | 47   | 1312 312 015 |          | MAN | 006B | 37   | 1313 206 001 |          | DAF | 021B | 30   |
| 1312 304 158 | 157.181  | IVE          | 011A | 45   | 1312 312 015 |          | IVE | 011B | 37   | 1313 206 002 |          | MAN | 006B | 29   |
| 1312 304 158 | 157.181  | IVE          | 012A | 47   | 1312 312 015 |          | RVI | 015B | 37   | 1313 206 002 |          | IVE | 011B | 29   |
| 1312 304 158 | 157.181  | IVE          | 013A | 47   | 1312 312 015 |          | DAF | 021B | 37   | 1313 206 002 |          | RVI | 015B | 29   |
| 1312 304 158 | 157.181  | RVI          | 016A | 47   | 1312 332 026 | 107.165  | MB  | 002B | 2    | 1313 206 002 |          | DAF | 021B | 29   |
| 1312 304 158 | 157.181  | RVI          | 017A | 47   | 1312 332 026 | 107.165  | MB  | 003B | 2    | 1313 206 004 |          | MAN | 006B | 30   |
| 1312 304 158 | 157.181  | DAF          | 021A | 45   | 1312 332 026 | 107.165  | MAN | 005B | 2    | 1313 206 004 |          | IVE | 011B | 30   |
| 1312 304 158 | 157.181  | DAF          | 022A | 47   | 1312 332 026 | 107.165  | MAN | 006B | 2    | 1313 206 004 |          | RVI | 015B | 30   |
| 1312 304 158 | 157.181  | DAF          | 023A | 47   | 1312 332 026 | 107.165  | MAN | 007B | 2    | 1313 206 004 |          | DAF | 021B | 30   |
| 1312 304 159 | 156.176  | MB           | 003A | 46   | 1312 332 026 | 107.165  | IVE | 009B | 2    | 1313 206 005 |          | MAN | 006B | 29   |

Date

03 / 2006

Table

Index

| Ref. ZF      | Ref. CEI       | OEM Tav. | Fig.    | Ref. ZF      | Ref. CEI       | OEM Tav.     | Fig.    | Ref. ZF      | Ref. CEI       | OEM Tav. | Fig.    |
|--------------|----------------|----------|---------|--------------|----------------|--------------|---------|--------------|----------------|----------|---------|
| 1313 206 005 |                | IVE      | 011B 29 | 1313 233 001 | <b>198.374</b> | IVE          | 010B 22 | 1313 303 003 | <b>146.414</b> | MAN      | 006A 59 |
| 1313 206 005 |                | RVI      | 015B 29 | 1313 233 001 | <b>198.374</b> | IVE          | 011B 21 | 1313 303 003 | <b>146.414</b> | IVE      | 011A 59 |
| 1313 206 005 |                | DAF      | 021B 29 | 1313 233 001 | <b>198.374</b> | IVE          | 012B 21 | 1313 303 003 | <b>146.414</b> | RVI      | 015A 59 |
| 1313 206 011 |                | MAN      | 006B 29 | 1313 233 001 | <b>198.374</b> | RVI          | 014B 22 | 1313 303 003 | <b>146.414</b> | DAF      | 021A 59 |
| 1313 206 011 |                | IVE      | 011B 29 | 1313 233 001 | <b>198.374</b> | RVI          | 015B 21 | 1313 303 004 | <b>146.475</b> | MAN      | 006A 58 |
| 1313 206 011 |                | RVI      | 015B 29 | 1313 233 001 | <b>198.374</b> | RVI          | 016B 21 | 1313 303 004 | <b>146.475</b> | IVE      | 011A 58 |
| 1313 206 011 |                | DAF      | 021B 29 | 1313 233 001 | <b>198.374</b> | DAF          | 018B 22 | 1313 303 004 | <b>146.475</b> | RVI      | 015A 58 |
| 1313 206 015 |                | MAN      | 006B 31 | 1313 233 001 | <b>198.374</b> | DAF          | 019B 22 | 1313 303 004 | <b>146.475</b> | DAF      | 021A 58 |
| 1313 206 015 |                | IVE      | 011B 31 | 1313 233 001 | <b>198.374</b> | DAF          | 019B 22 | 1313 303 010 | <b>105.106</b> | MAN      | 006A 61 |
| 1313 206 015 |                | RVI      | 015B 31 | 1313 233 001 | <b>198.374</b> | DAF          | 020B 22 | 1313 303 010 | <b>105.106</b> | IVE      | 011A 61 |
| 1313 206 015 |                | DAF      | 021B 31 | 1313 233 001 | <b>198.374</b> | DAF          | 020B 22 | 1313 303 010 | <b>105.106</b> | RVI      | 015A 61 |
| 1313 206 016 |                | MAN      | 006B 31 | 1313 233 001 | <b>198.374</b> | DAF          | 021B 21 | 1313 303 010 | <b>105.106</b> | DAF      | 021A 61 |
| 1313 206 016 |                | IVE      | 011B 31 | 1313 233 001 | <b>198.374</b> | DAF          | 022B 21 | 1313 303 011 | <i>105.113</i> | MAN      | 006A 61 |
| 1313 206 016 |                | RVI      | 015B 31 | 1313 233 001 | <b>198.374</b> | VOL          | 024B 22 | 1313 303 011 | <i>105.113</i> | IVE      | 011A 61 |
| 1313 206 016 |                | DAF      | 021B 31 | 1313 233 001 | <b>198.374</b> | VOL          | 024B 22 | 1313 303 011 | <i>105.113</i> | RVI      | 015A 61 |
| 1313 206 026 |                | MAN      | 006B 31 | 1313 233 001 | <b>198.374</b> | VOL          | 025B 22 | 1313 303 011 | <i>105.113</i> | DAF      | 021A 61 |
| 1313 206 026 |                | IVE      | 011B 31 | 1313 234 011 |                | MB           | 001B 42 | 1313 304 005 | <b>146.476</b> | MAN      | 006A 26 |
| 1313 206 026 |                | RVI      | 015B 31 | 1313 234 011 |                | MB           | 002B 42 | 1313 304 005 | <b>146.476</b> | IVE      | 011A 26 |
| 1313 206 026 |                | DAF      | 021B 31 | 1313 234 011 |                | MAN          | 004B 42 | 1313 304 005 | <b>146.476</b> | RVI      | 015A 26 |
| 1313 206 031 |                | MAN      | 006B 30 | 1313 234 011 |                | MAN          | 006B 45 | 1313 304 005 | <b>146.476</b> | DAF      | 021A 26 |
| 1313 206 031 |                | IVE      | 011B 30 | 1313 234 011 |                | IVE          | 011B 45 | 1313 304 008 | <b>157.189</b> | MAN      | 006A 39 |
| 1313 206 031 |                | RVI      | 015B 30 | 1313 234 011 |                | RVI          | 015B 45 | 1313 304 008 | <b>157.189</b> | MAN      | 007A 52 |
| 1313 206 031 |                | DAF      | 021B 30 | 1313 234 011 |                | DAF          | 019B 42 | 1313 304 008 | <b>157.189</b> | MAN      | 008A 52 |
| 1313 221 004 |                | MAN      | 006A 11 | 1313 234 011 |                | DAF          | 020B 43 | 1313 304 008 | <b>157.189</b> | IVE      | 011A 39 |
| 1313 221 004 |                | DAF      | 021A 11 | 1313 234 011 |                | DAF          | 021B 45 | 1313 304 008 | <b>157.189</b> | IVE      | 012A 52 |
| 1313 232 003 | <b>198.800</b> | MAN      | 006B 8  | 1313 234 012 |                | MAN          | 006B 45 | 1313 304 008 | <b>157.189</b> | IVE      | 013A 52 |
| 1313 232 003 | <b>198.800</b> | MAN      | 007B 8  | 1313 234 012 |                | IVE          | 011B 45 | 1313 304 008 | <b>157.189</b> | RVI      | 015A 39 |
| 1313 232 003 | <b>198.800</b> | IVE      | 011B 8  | 1313 234 012 |                | RVI          | 015B 45 | 1313 304 008 | <b>157.189</b> | RVI      | 016A 52 |
| 1313 232 003 | <b>198.800</b> | IVE      | 012B 8  | 1313 234 012 |                | DAF          | 021B 45 | 1313 304 008 | <b>157.189</b> | RVI      | 017A 52 |
| 1313 232 003 | <b>198.800</b> | RVI      | 015B 8  | 1313 302 030 | See            | 1313 202 013 |         | 1313 304 008 | <b>157.189</b> | DAF      | 021A 39 |
| 1313 232 003 | <b>198.800</b> | RVI      | 016B 8  | 1313 302 035 | <i>145.525</i> | MAN          | 006A 8  | 1313 304 008 | <b>157.189</b> | DAF      | 022A 52 |
| 1313 232 003 | <b>198.800</b> | DAF      | 021B 8  | 1313 302 035 | <i>145.525</i> | IVE          | 011A 8  | 1313 304 008 | <b>157.189</b> | DAF      | 023A 52 |
| 1313 232 003 | <b>198.800</b> | DAF      | 022B 8  | 1313 302 035 | <i>145.525</i> | RVI          | 015A 8  | 1313 304 009 | <b>109.132</b> | MAN      | 006A 37 |
| 1313 233 001 | <b>198.374</b> | MB       | 001B 22 | 1313 302 035 | <i>145.525</i> | DAF          | 021A 8  | 1313 304 009 | <b>109.132</b> | MAN      | 007A 50 |
| 1313 233 001 | <b>198.374</b> | MB       | 002B 22 | 1313 302 036 | <b>145.557</b> | MAN          | 006A 8  | 1313 304 009 | <b>109.132</b> | MAN      | 008A 50 |
| 1313 233 001 | <b>198.374</b> | MB       | 002B 22 | 1313 302 036 | <b>145.557</b> | IVE          | 011A 8  | 1313 304 009 | <b>109.132</b> | IVE      | 011A 37 |
| 1313 233 001 | <b>198.374</b> | MAN      | 004B 22 | 1313 302 036 | <b>145.557</b> | RVI          | 015A 8  | 1313 304 009 | <b>109.132</b> | IVE      | 012A 50 |
| 1313 233 001 | <b>198.374</b> | MAN      | 005B 22 | 1313 302 036 | <b>145.557</b> | DAF          | 021A 8  | 1313 304 009 | <b>109.132</b> | IVE      | 013A 50 |
| 1313 233 001 | <b>198.374</b> | MAN      | 005B 22 | 1313 302 048 |                | RVI          | 015A 1  | 1313 304 009 | <b>109.132</b> | RVI      | 015A 37 |
| 1313 233 001 | <b>198.374</b> | MAN      | 006B 21 | 1313 303 002 | <b>146.420</b> | MAN          | 006A 60 | 1313 304 009 | <b>109.132</b> | RVI      | 016A 50 |
| 1313 233 001 | <b>198.374</b> | MAN      | 007B 21 | 1313 303 002 | <b>146.420</b> | IVE          | 011A 60 | 1313 304 009 | <b>109.132</b> | RVI      | 017A 50 |
| 1313 233 001 | <b>198.374</b> | IVE      | 009B 22 | 1313 303 002 | <b>146.420</b> | RVI          | 015A 60 | 1313 304 009 | <b>109.132</b> | DAF      | 021A 37 |
| 1313 233 001 | <b>198.374</b> | IVE      | 009B 22 | 1313 303 002 | <b>146.420</b> | DAF          | 021A 60 | 1313 304 009 | <b>109.132</b> | DAF      | 022A 50 |

Date

03 / 2006

Table

Index

ZF references index  
Indice riferimenti ZF

| Ref. ZF      | Ref. CEI       | OEM          | Tav. | Fig. | Ref. ZF      | Ref. CEI       | OEM | Tav. | Fig. | Ref. ZF      | Ref. CEI       | OEM | Tav. | Fig. |
|--------------|----------------|--------------|------|------|--------------|----------------|-----|------|------|--------------|----------------|-----|------|------|
| 1313 304 009 | <b>109.132</b> | DAF          | 023A | 50   | 1313 304 078 | 145.502        | DAF | 021A | 36   | 1313 333 001 | <b>157.182</b> | MAN | 007B | 16   |
| 1313 304 036 | See            | 1315 304 132 |      |      | 1313 304 080 | <b>145.496</b> | MAN | 006A | 31   | 1313 333 001 | <b>157.182</b> | MAN | 008B | 19   |
| 1313 304 037 | 109.177        | MAN          | 006A | 51   | 1313 304 080 | <b>145.496</b> | IVE | 011A | 31   | 1313 333 001 | <b>157.182</b> | IVE | 011B | 16   |
| 1313 304 037 | 109.177        | IVE          | 011A | 51   | 1313 304 080 | <b>145.496</b> | RVI | 015A | 31   | 1313 333 001 | <b>157.182</b> | IVE | 012B | 16   |
| 1313 304 037 | 109.177        | RVI          | 015A | 51   | 1313 304 080 | <b>145.496</b> | DAF | 021A | 31   | 1313 333 001 | <b>157.182</b> | IVE | 013B | 19   |
| 1313 304 037 | 109.177        | DAF          | 021A | 51   | 1313 304 081 | 145.526        | MAN | 006A | 31   | 1313 333 001 | <b>157.182</b> | RVI | 015B | 16   |
| 1313 304 038 | <b>117.294</b> | MAN          | 006A | 49   | 1313 304 081 | 145.526        | IVE | 011A | 31   | 1313 333 001 | <b>157.182</b> | RVI | 016B | 16   |
| 1313 304 038 | <b>117.294</b> | MAN          | 007A | 55   | 1313 304 081 | 145.526        | RVI | 015A | 31   | 1313 333 001 | <b>157.182</b> | RVI | 017B | 19   |
| 1313 304 038 | <b>117.294</b> | MAN          | 008A | 55   | 1313 304 081 | 145.526        | DAF | 021A | 31   | 1313 333 001 | <b>157.182</b> | DAF | 021B | 16   |
| 1313 304 038 | <b>117.294</b> | IVE          | 011A | 49   | 1313 305 001 | 147.148        | MAN | 006A | 65   | 1313 333 001 | <b>157.182</b> | DAF | 022B | 16   |
| 1313 304 038 | <b>117.294</b> | IVE          | 012A | 55   | 1313 305 001 | 147.148        | IVE | 011A | 65   | 1313 333 001 | <b>157.182</b> | DAF | 023B | 19   |
| 1313 304 038 | <b>117.294</b> | IVE          | 013A | 55   | 1313 305 001 | 147.148        | RVI | 015A | 65   | 1313 338 002 |                | MAN | 006B | 26   |
| 1313 304 038 | <b>117.294</b> | RVI          | 015A | 49   | 1313 305 001 | 147.148        | DAF | 021A | 65   | 1313 338 002 |                | MAN | 007B | 27   |
| 1313 304 038 | <b>117.294</b> | RVI          | 016A | 55   | 1313 305 002 | 147.132        | MAN | 006A | 65   | 1313 338 002 |                | IVE | 011B | 26   |
| 1313 304 038 | <b>117.294</b> | RVI          | 017A | 55   | 1313 305 002 | 147.132        | IVE | 011A | 65   | 1313 338 002 |                | IVE | 012B | 27   |
| 1313 304 038 | <b>117.294</b> | DAF          | 021A | 49   | 1313 305 002 | 147.132        | RVI | 015A | 65   | 1313 338 002 |                | RVI | 015B | 26   |
| 1313 304 038 | <b>117.294</b> | DAF          | 022A | 55   | 1313 305 002 | 147.132        | DAF | 021A | 65   | 1313 338 002 |                | RVI | 016B | 27   |
| 1313 304 038 | <b>117.294</b> | DAF          | 023A | 55   | 1313 312 002 |                | MB  | 001B | 33   | 1313 338 002 |                | DAF | 021B | 26   |
| 1313 304 039 | 145.508        | MAN          | 006A | 50   | 1313 312 002 |                | MB  | 002B | 33   | 1313 338 002 |                | DAF | 022B | 27   |
| 1313 304 039 | 145.508        | IVE          | 011A | 50   | 1313 312 002 |                | MB  | 003B | 33   | 1313 338 011 |                | MAN | 006B | 26   |
| 1313 304 039 | 145.508        | RVI          | 015A | 50   | 1313 312 002 |                | MAN | 004B | 33   | 1313 338 011 |                | MAN | 007B | 27   |
| 1313 304 039 | 145.508        | DAF          | 021A | 50   | 1313 312 002 |                | MAN | 005B | 33   | 1313 338 011 |                | IVE | 011B | 26   |
| 1313 304 040 | See            | 1313 304 070 |      |      | 1313 312 002 |                | MAN | 006B | 33   | 1313 338 011 |                | IVE | 012B | 27   |
| 1313 304 041 | 147.147        | MAN          | 006A | 54   | 1313 312 002 |                | IVE | 009B | 33   | 1313 338 011 |                | RVI | 015B | 26   |
| 1313 304 041 | 147.147        | IVE          | 011A | 54   | 1313 312 002 |                | IVE | 010B | 34   | 1313 338 011 |                | RVI | 016B | 27   |
| 1313 304 041 | 147.147        | RVI          | 015A | 54   | 1313 312 002 |                | IVE | 011B | 33   | 1313 338 011 |                | DAF | 021B | 26   |
| 1313 304 041 | 147.147        | DAF          | 021A | 54   | 1313 312 002 |                | RVI | 014B | 33   | 1313 338 011 |                | DAF | 022B | 27   |
| 1313 304 042 | 147.137        | MAN          | 006A | 54   | 1313 312 002 |                | RVI | 015B | 33   | 1314 202 039 |                | MAN | 007A | 75   |
| 1313 304 042 | 147.137        | IVE          | 011A | 54   | 1313 312 002 |                | DAF | 018B | 33   | 1314 202 039 |                | MAN | 008A | 12   |
| 1313 304 042 | 147.137        | RVI          | 015A | 54   | 1313 312 002 |                | DAF | 019B | 33   | 1314 202 039 |                | IVE | 012A | 75   |
| 1313 304 042 | 147.137        | DAF          | 021A | 54   | 1313 312 002 |                | DAF | 020B | 34   | 1314 202 039 |                | IVE | 013A | 12   |
| 1313 304 070 | 145.528        | MAN          | 006A | 50   | 1313 312 002 |                | DAF | 021B | 33   | 1314 202 039 |                | RVI | 016A | 75   |
| 1313 304 070 | 145.528        | IVE          | 011A | 50   | 1313 312 002 |                | VOL | 024B | 33   | 1314 202 039 |                | RVI | 017A | 12   |
| 1313 304 070 | 145.528        | RVI          | 015A | 50   | 1313 312 002 |                | VOL | 025B | 34   | 1314 202 039 |                | DAF | 022A | 75   |
| 1313 304 070 | 145.528        | DAF          | 021A | 50   | 1313 332 020 | <b>150.133</b> | MAN | 006B | 10   | 1314 202 039 |                | DAF | 023A | 12   |
| 1313 304 072 | See            | 1315 304 130 |      |      | 1313 332 020 | <b>150.133</b> | MAN | 007B | 10   | 1315 201 053 |                | MAN | 007A | 72   |
| 1313 304 077 | 145.527        | MAN          | 006A | 36   | 1313 332 020 | <b>150.133</b> | IVE | 011B | 10   | 1315 201 053 |                | MAN | 008A | 72   |
| 1313 304 077 | 145.527        | IVE          | 011A | 36   | 1313 332 020 | <b>150.133</b> | IVE | 012B | 10   | 1315 201 053 |                | IVE | 012A | 72   |
| 1313 304 077 | 145.527        | RVI          | 015A | 36   | 1313 332 020 | <b>150.133</b> | RVI | 015B | 10   | 1315 201 053 |                | IVE | 013A | 72   |
| 1313 304 077 | 145.527        | DAF          | 021A | 36   | 1313 332 020 | <b>150.133</b> | RVI | 016B | 10   | 1315 201 053 |                | RVI | 016A | 72   |
| 1313 304 078 | 145.502        | MAN          | 006A | 36   | 1313 332 020 | <b>150.133</b> | DAF | 021B | 10   | 1315 201 053 |                | RVI | 017A | 72   |
| 1313 304 078 | 145.502        | IVE          | 011A | 36   | 1313 332 020 | <b>150.133</b> | DAF | 022B | 10   | 1315 201 053 |                | DAF | 022A | 72   |
| 1313 304 078 | 145.502        | RVI          | 015A | 36   | 1313 333 001 | <b>157.182</b> | MAN | 006B | 16   | 1315 201 053 |                | DAF | 023A | 72   |

Date

03 / 2006

Table

Index

All original equipment manufacturers numbers, symbols, pictures, models and description used in this catalogue are for reference only, and it is not implied that any part listed is the product of these manufacturers.  
Tutti i nostri particolari non sono originali ma con essi intercambiabili. I riferimenti originali, le figure, i modelli sono esposti a semplice titolo indicativo. La nostra produzione riporta il nostro marchio.

| Ref. ZF      | Ref. CEI | OEM Tav. Fig. | Ref. ZF      | Ref. CEI | OEM Tav. Fig. | Ref. ZF      | Ref. CEI | OEM Tav. Fig. |
|--------------|----------|---------------|--------------|----------|---------------|--------------|----------|---------------|
| 1315 201 054 |          | MAN 007A 72   | 1315 202 048 |          | MAN 008A 20   | 1315 202 065 |          | RVI 016A 10   |
| 1315 201 054 |          | MAN 008A 72   | 1315 202 048 |          | IVE 012A 21   | 1315 202 065 |          | RVI 017A 10   |
| 1315 201 054 |          | IVE 012A 72   | 1315 202 048 |          | IVE 013A 20   | 1315 202 065 |          | DAF 022A 10   |
| 1315 201 054 |          | IVE 013A 72   | 1315 202 048 |          | RVI 016A 21   | 1315 202 065 |          | DAF 023A 10   |
| 1315 201 054 |          | RVI 016A 72   | 1315 202 048 |          | RVI 017A 20   | 1315 206 003 |          | MAN 007B 31   |
| 1315 201 054 |          | RVI 017A 72   | 1315 202 048 |          | DAF 022A 21   | 1315 206 003 |          | MAN 008B 33   |
| 1315 201 054 |          | DAF 022A 72   | 1315 202 048 |          | DAF 023A 20   | 1315 206 003 |          | IVE 012B 31   |
| 1315 201 054 |          | DAF 023A 72   | 1315 202 055 |          | MAN 007A 10   | 1315 206 003 |          | IVE 013B 33   |
| 1315 202 011 | See      | 1315 202 022  | 1315 202 055 |          | MAN 008A 10   | 1315 206 003 |          | RVI 016B 31   |
| 1315 202 012 | 190.296  | MAN 007A 18   | 1315 202 055 |          | IVE 012A 10   | 1315 206 003 |          | RVI 017B 33   |
| 1315 202 012 | 190.296  | IVE 012A 18   | 1315 202 055 |          | IVE 013A 10   | 1315 206 003 |          | DAF 022B 31   |
| 1315 202 012 | 190.296  | RVI 016A 18   | 1315 202 055 |          | RVI 016A 10   | 1315 206 003 |          | DAF 023B 33   |
| 1315 202 012 | 190.296  | DAF 022A 18   | 1315 202 055 |          | RVI 017A 10   | 1315 206 013 |          | MAN 007B 29   |
| 1315 202 014 |          | MAN 007A 2    | 1315 202 055 |          | DAF 022A 10   | 1315 206 013 |          | MAN 008B 31   |
| 1315 202 014 |          | MAN 008A 2    | 1315 202 055 |          | DAF 023A 10   | 1315 206 013 |          | IVE 012B 29   |
| 1315 202 014 |          | IVE 012A 2    | 1315 202 058 |          | MAN 007A 10   | 1315 206 013 |          | IVE 013B 31   |
| 1315 202 014 |          | IVE 013A 2    | 1315 202 058 |          | MAN 008A 10   | 1315 206 013 |          | RVI 016B 29   |
| 1315 202 014 |          | RVI 016A 2    | 1315 202 058 |          | IVE 012A 10   | 1315 206 013 |          | RVI 017B 31   |
| 1315 202 014 |          | RVI 017A 2    | 1315 202 058 |          | IVE 013A 10   | 1315 206 013 |          | DAF 022B 29   |
| 1315 202 014 |          | DAF 022A 2    | 1315 202 058 |          | RVI 016A 10   | 1315 206 013 |          | DAF 023B 31   |
| 1315 202 014 |          | DAF 023A 2    | 1315 202 058 |          | RVI 017A 10   | 1315 206 023 |          | MAN 007B 31   |
| 1315 202 018 | See      | 1314 202 039  | 1315 202 058 |          | DAF 022A 10   | 1315 206 023 |          | MAN 008B 33   |
| 1315 202 022 | 190.309  | MAN 007A 18   | 1315 202 058 |          | DAF 023A 10   | 1315 206 023 |          | IVE 012B 31   |
| 1315 202 022 | 190.309  | IVE 012A 18   | 1315 202 060 |          | MAN 007A 10   | 1315 206 023 |          | IVE 013B 33   |
| 1315 202 022 | 190.309  | RVI 016A 18   | 1315 202 060 |          | MAN 008A 10   | 1315 206 023 |          | RVI 016B 31   |
| 1315 202 022 | 190.309  | DAF 022A 18   | 1315 202 060 |          | IVE 012A 10   | 1315 206 023 |          | RVI 017B 33   |
| 1315 202 037 | 190.304  | MAN 007A 21   | 1315 202 060 |          | IVE 013A 10   | 1315 206 023 |          | DAF 022B 31   |
| 1315 202 037 | 190.304  | MAN 008A 20   | 1315 202 060 |          | RVI 016A 10   | 1315 206 023 |          | DAF 023B 33   |
| 1315 202 037 | 190.304  | IVE 012A 21   | 1315 202 060 |          | RVI 017A 10   | 1315 206 024 |          | MAN 007B 29   |
| 1315 202 037 | 190.304  | IVE 013A 20   | 1315 202 060 |          | DAF 022A 10   | 1315 206 024 |          | MAN 008B 31   |
| 1315 202 037 | 190.304  | RVI 016A 21   | 1315 202 060 |          | DAF 023A 10   | 1315 206 024 |          | IVE 012B 29   |
| 1315 202 037 | 190.304  | RVI 017A 20   | 1315 202 061 |          | MAN 007A 10   | 1315 206 024 |          | IVE 013B 31   |
| 1315 202 037 | 190.304  | DAF 022A 21   | 1315 202 061 |          | MAN 008A 10   | 1315 206 024 |          | RVI 016B 29   |
| 1315 202 037 | 190.304  | DAF 023A 20   | 1315 202 061 |          | IVE 012A 10   | 1315 206 024 |          | RVI 017B 31   |
| 1315 202 040 | 190.315  | MAN 007A 21   | 1315 202 061 |          | IVE 013A 10   | 1315 206 024 |          | DAF 022B 29   |
| 1315 202 040 | 190.315  | MAN 008A 20   | 1315 202 061 |          | RVI 016A 10   | 1315 206 024 |          | DAF 023B 31   |
| 1315 202 040 | 190.315  | IVE 012A 21   | 1315 202 061 |          | RVI 017A 10   | 1315 206 046 |          | MAN 007B 30   |
| 1315 202 040 | 190.315  | IVE 013A 20   | 1315 202 061 |          | DAF 022A 10   | 1315 206 046 |          | MAN 008B 32   |
| 1315 202 040 | 190.315  | RVI 016A 21   | 1315 202 061 |          | DAF 023A 10   | 1315 206 046 |          | IVE 012B 30   |
| 1315 202 040 | 190.315  | RVI 017A 20   | 1315 202 065 |          | MAN 007A 10   | 1315 206 046 |          | IVE 013B 32   |
| 1315 202 040 | 190.315  | DAF 022A 21   | 1315 202 065 |          | MAN 008A 10   | 1315 206 046 |          | RVI 016B 30   |
| 1315 202 040 | 190.315  | DAF 023A 20   | 1315 202 065 |          | IVE 012A 10   | 1315 206 046 |          | RVI 017B 32   |
| 1315 202 048 |          | MAN 007A 21   | 1315 202 065 |          | IVE 013A 10   | 1315 206 046 |          | DAF 022B 30   |

Date

03 / 2006

Table

Index

| Ref. ZF      | Ref. CEI | OEM | Tav. | Fig. | Ref. ZF      | Ref. CEI | OEM          | Tav. | Fig. | Ref. ZF      | Ref. CEI | OEM          | Tav. | Fig. |
|--------------|----------|-----|------|------|--------------|----------|--------------|------|------|--------------|----------|--------------|------|------|
| 1315 206 046 |          | DAF | 023B | 32   | 1315 221 002 | 190.317  | IVE          | 012A | 21   | 1315 233 023 | 196.353  | RVI          | 016B | 22   |
| 1315 206 047 |          | MAN | 007B | 30   | 1315 221 002 | 190.317  | IVE          | 013A | 20   | 1315 233 023 | 196.353  | DAF          | 022B | 22   |
| 1315 206 047 |          | MAN | 008B | 32   | 1315 221 002 | 190.317  | RVI          | 016A | 21   | 1315 238 001 |          | MAN          | 007B | 27   |
| 1315 206 047 |          | IVE | 012B | 30   | 1315 221 002 | 190.317  | RVI          | 017A | 20   | 1315 238 001 |          | IVE          | 012B | 27   |
| 1315 206 047 |          | IVE | 013B | 32   | 1315 221 002 | 190.317  | DAF          | 022A | 21   | 1315 238 001 |          | RVI          | 016B | 27   |
| 1315 206 047 |          | RVI | 016B | 30   | 1315 221 002 | 190.317  | DAF          | 023A | 20   | 1315 238 001 |          | DAF          | 022B | 27   |
| 1315 206 047 |          | RVI | 017B | 32   | 1315 231 004 |          | MAN          | 007B | 25   | 1315 298 001 | 198.797  | MAN          | 007A | 78   |
| 1315 206 047 |          | DAF | 022B | 30   | 1315 231 004 |          | MAN          | 008B | 27   | 1315 298 001 | 198.797  | MAN          | 007B | 52   |
| 1315 206 047 |          | DAF | 023B | 32   | 1315 231 004 |          | IVE          | 012B | 25   | 1315 298 001 | 198.797  | MAN          | 008A | 77   |
| 1315 206 052 |          | MAN | 007B | 30   | 1315 231 004 |          | IVE          | 013B | 27   | 1315 298 001 | 198.797  | MAN          | 008B | 54   |
| 1315 206 052 |          | MAN | 008B | 32   | 1315 231 004 |          | RVI          | 016B | 25   | 1315 298 001 | 198.797  | IVE          | 012A | 78   |
| 1315 206 052 |          | IVE | 012B | 30   | 1315 231 004 |          | RVI          | 017B | 27   | 1315 298 001 | 198.797  | IVE          | 012B | 52   |
| 1315 206 052 |          | IVE | 013B | 32   | 1315 231 004 |          | DAF          | 022B | 25   | 1315 298 001 | 198.797  | IVE          | 013A | 77   |
| 1315 206 052 |          | RVI | 016B | 30   | 1315 231 004 |          | DAF          | 023B | 27   | 1315 298 001 | 198.797  | IVE          | 013B | 54   |
| 1315 206 052 |          | RVI | 017B | 32   | 1315 232 001 | 198.816  | MAN          | 007B | 8    | 1315 298 001 | 198.797  | RVI          | 016A | 78   |
| 1315 206 052 |          | DAF | 022B | 30   | 1315 232 001 | 198.816  | IVE          | 012B | 8    | 1315 298 001 | 198.797  | RVI          | 016B | 52   |
| 1315 206 052 |          | DAF | 023B | 32   | 1315 232 001 | 198.816  | RVI          | 016B | 8    | 1315 298 001 | 198.797  | RVI          | 017A | 77   |
| 1315 206 053 |          | MAN | 007B | 30   | 1315 232 001 | 198.816  | DAF          | 022B | 8    | 1315 298 001 | 198.797  | RVI          | 017B | 54   |
| 1315 206 053 |          | MAN | 008B | 32   | 1315 232 010 | 198.798  | MAN          | 008B | 8    | 1315 298 001 | 198.797  | DAF          | 022A | 78   |
| 1315 206 053 |          | IVE | 012B | 30   | 1315 232 010 | 198.798  | MAN          | 008B | 8    | 1315 298 001 | 198.797  | DAF          | 022B | 52   |
| 1315 206 053 |          | IVE | 013B | 32   | 1315 232 010 | 198.798  | IVE          | 013B | 8    | 1315 298 001 | 198.797  | DAF          | 023A | 77   |
| 1315 206 053 |          | RVI | 016B | 30   | 1315 232 010 | 198.798  | IVE          | 013B | 8    | 1315 298 001 | 198.797  | DAF          | 023B | 54   |
| 1315 206 053 |          | RVI | 017B | 32   | 1315 232 010 | 198.798  | RVI          | 017B | 8    | 1315 298 002 | 198.838  | MAN          | 007A | 77   |
| 1315 206 053 |          | DAF | 022B | 30   | 1315 232 010 | 198.798  | RVI          | 017B | 8    | 1315 298 002 | 198.838  | MAN          | 007B | 51   |
| 1315 206 053 |          | DAF | 023B | 32   | 1315 232 010 | 198.798  | DAF          | 023B | 8    | 1315 298 002 | 198.838  | MAN          | 008A | 76   |
| 1315 206 055 |          | MAN | 007B | 29   | 1315 232 010 | 198.798  | DAF          | 023B | 8    | 1315 298 002 | 198.838  | MAN          | 008B | 53   |
| 1315 206 055 |          | MAN | 008B | 31   | 1315 232 013 | See      | 1315 232 016 |      |      | 1315 298 002 | 198.838  | IVE          | 012A | 77   |
| 1315 206 055 |          | IVE | 012B | 29   | 1315 232 016 | 190.394  | MAN          | 008B | 1    | 1315 298 002 | 198.838  | IVE          | 012B | 51   |
| 1315 206 055 |          | IVE | 013B | 31   | 1315 232 016 | 190.394  | MAN          | 008B | 1    | 1315 298 002 | 198.838  | IVE          | 013A | 76   |
| 1315 206 055 |          | RVI | 016B | 29   | 1315 232 016 | 190.394  | IVE          | 013B | 1    | 1315 298 002 | 198.838  | IVE          | 013B | 53   |
| 1315 206 055 |          | RVI | 017B | 31   | 1315 232 016 | 190.394  | IVE          | 013B | 1    | 1315 298 002 | 198.838  | RVI          | 016A | 77   |
| 1315 206 055 |          | DAF | 022B | 29   | 1315 232 016 | 190.394  | RVI          | 017B | 1    | 1315 298 002 | 198.838  | RVI          | 016B | 51   |
| 1315 206 055 |          | DAF | 023B | 31   | 1315 232 016 | 190.394  | RVI          | 017B | 1    | 1315 298 002 | 198.838  | RVI          | 017A | 76   |
| 1315 206 056 |          | MAN | 007B | 29   | 1315 232 016 | 190.394  | DAF          | 023B | 1    | 1315 298 002 | 198.838  | RVI          | 017B | 53   |
| 1315 206 056 |          | MAN | 008B | 31   | 1315 232 016 | 190.394  | DAF          | 023B | 1    | 1315 298 002 | 198.838  | DAF          | 022A | 77   |
| 1315 206 056 |          | IVE | 012B | 29   | 1315 232 017 | See      | 1315 232 016 |      |      | 1315 298 002 | 198.838  | DAF          | 022B | 51   |
| 1315 206 056 |          | IVE | 013B | 31   | 1315 232 023 | See      | 1296 232 002 |      |      | 1315 298 002 | 198.838  | DAF          | 023A | 76   |
| 1315 206 056 |          | RVI | 016B | 29   | 1315 233 006 | 298.017  | MAN          | 007B | 14   | 1315 298 002 | 198.838  | DAF          | 023B | 53   |
| 1315 206 056 |          | RVI | 017B | 31   | 1315 233 006 | 298.017  | IVE          | 012B | 14   | 1315 298 054 | See      | 1315 298 060 |      |      |
| 1315 206 056 |          | DAF | 022B | 29   | 1315 233 006 | 298.017  | RVI          | 016B | 14   | 1315 298 055 | See      | 1315 298 061 |      |      |
| 1315 206 056 |          | DAF | 023B | 31   | 1315 233 006 | 298.017  | DAF          | 022B | 14   | 1315 298 060 | 298.020  | MAN          | 006A | 71   |
| 1315 221 002 | 190.317  | MAN | 007A | 21   | 1315 233 023 | 196.353  | MAN          | 007B | 22   | 1315 298 060 | 298.020  | MAN          | 007A | 80   |
| 1315 221 002 | 190.317  | MAN | 008A | 20   | 1315 233 023 | 196.353  | IVE          | 012B | 22   | 1315 298 060 | 298.020  | MAN          | 008A | 79   |

Date

03 / 2006

Table

Index

| Ref. ZF      | Ref. CEI       | OEM Tav. | Fig.    | Ref. ZF      | Ref. CEI       | OEM Tav.     | Fig.    | Ref. ZF      | Ref. CEI       | OEM Tav.     | Fig.    |
|--------------|----------------|----------|---------|--------------|----------------|--------------|---------|--------------|----------------|--------------|---------|
| 1315 298 060 | <b>298.020</b> | IVE      | 011A 71 | 1315 301 220 | 128.098        | DAF          | 020B 25 | 1315 302 057 |                | IVE          | 012A 4  |
| 1315 298 060 | <b>298.020</b> | IVE      | 012A 80 | 1315 301 220 | 128.098        | DAF          | 021B 24 | 1315 302 057 |                | IVE          | 013A 4  |
| 1315 298 060 | <b>298.020</b> | IVE      | 013A 79 | 1315 301 220 | 128.098        | VOL          | 024B 25 | 1315 302 057 |                | RVI          | 016A 4  |
| 1315 298 060 | <b>298.020</b> | RVI      | 015A 71 | 1315 301 220 | 128.098        | VOL          | 025B 25 | 1315 302 057 |                | RVI          | 017A 4  |
| 1315 298 060 | <b>298.020</b> | RVI      | 016A 80 | 1315 301 223 | 175.242        | MAN          | 007B 23 | 1315 302 057 |                | DAF          | 022A 4  |
| 1315 298 060 | <b>298.020</b> | RVI      | 017A 79 | 1315 301 223 | 175.242        | IVE          | 012B 23 | 1315 302 057 |                | DAF          | 023A 4  |
| 1315 298 060 | <b>298.020</b> | DAF      | 021A 71 | 1315 301 223 | 175.242        | RVI          | 016B 23 | 1315 302 072 | See            | 1315 202 055 |         |
| 1315 298 060 | <b>298.020</b> | DAF      | 022A 80 | 1315 301 223 | 175.242        | DAF          | 022B 23 | 1315 302 075 |                | MAN          | 007A 11 |
| 1315 298 060 | <b>298.020</b> | DAF      | 023A 79 | 1315 301 224 | See            | 1315 301 223 |         | 1315 302 075 |                | MAN          | 008A 11 |
| 1315 298 061 | <b>298.021</b> | MB       | 003A 70 | 1315 302 007 | <b>145.451</b> | MAN          | 007A 17 | 1315 302 075 |                | IVE          | 012A 11 |
| 1315 298 061 | <b>298.021</b> | MAN      | 006A 70 | 1315 302 007 | <b>145.451</b> | IVE          | 012A 17 | 1315 302 075 |                | IVE          | 013A 11 |
| 1315 298 061 | <b>298.021</b> | MAN      | 007A 79 | 1315 302 007 | <b>145.451</b> | RVI          | 016A 17 | 1315 302 075 |                | RVI          | 016A 11 |
| 1315 298 061 | <b>298.021</b> | MAN      | 008A 78 | 1315 302 007 | <b>145.451</b> | DAF          | 022A 17 | 1315 302 075 |                | RVI          | 017A 11 |
| 1315 298 061 | <b>298.021</b> | IVE      | 011A 70 | 1315 302 008 | <b>145.524</b> | MAN          | 007A 17 | 1315 302 075 |                | DAF          | 022A 11 |
| 1315 298 061 | <b>298.021</b> | IVE      | 012A 79 | 1315 302 008 | <b>145.524</b> | IVE          | 012A 17 | 1315 302 075 |                | DAF          | 023A 11 |
| 1315 298 061 | <b>298.021</b> | IVE      | 013A 78 | 1315 302 008 | <b>145.524</b> | RVI          | 016A 17 | 1315 302 116 | See            | 1315 302 120 |         |
| 1315 298 061 | <b>298.021</b> | RVI      | 015A 70 | 1315 302 008 | <b>145.524</b> | DAF          | 022A 17 | 1315 302 117 | See            | 1315 302 121 |         |
| 1315 298 061 | <b>298.021</b> | RVI      | 016A 79 | 1315 302 013 |                | MAN          | 007A 1  | 1315 302 120 |                | MAN          | 007A 8  |
| 1315 298 061 | <b>298.021</b> | RVI      | 017A 78 | 1315 302 013 |                | MAN          | 008A 1  | 1315 302 120 |                | MAN          | 008A 8  |
| 1315 298 061 | <b>298.021</b> | DAF      | 021A 70 | 1315 302 013 |                | IVE          | 012A 1  | 1315 302 120 |                | IVE          | 012A 8  |
| 1315 298 061 | <b>298.021</b> | DAF      | 022A 79 | 1315 302 013 |                | IVE          | 013A 1  | 1315 302 120 |                | IVE          | 013A 8  |
| 1315 298 061 | <b>298.021</b> | DAF      | 023A 78 | 1315 302 013 |                | RVI          | 016A 1  | 1315 302 120 |                | RVI          | 016A 8  |
| 1315 301 117 |                | MAN      | 007B 23 | 1315 302 013 |                | RVI          | 017A 1  | 1315 302 120 |                | RVI          | 017A 8  |
| 1315 301 117 |                | IVE      | 012B 23 | 1315 302 013 |                | DAF          | 022A 1  | 1315 302 120 |                | DAF          | 022A 8  |
| 1315 301 117 |                | RVI      | 016B 23 | 1315 302 013 |                | DAF          | 023A 1  | 1315 302 120 |                | DAF          | 023A 8  |
| 1315 301 117 |                | DAF      | 022B 23 | 1315 302 045 |                | MAN          | 007A 7  | 1315 302 121 |                | MAN          | 007A 9  |
| 1315 301 220 | 128.098        | MB       | 001B 25 | 1315 302 045 |                | MAN          | 008A 7  | 1315 302 121 |                | MAN          | 008A 9  |
| 1315 301 220 | 128.098        | MB       | 002B 25 | 1315 302 045 |                | IVE          | 012A 7  | 1315 302 121 |                | IVE          | 012A 9  |
| 1315 301 220 | 128.098        | MB       | 002B 25 | 1315 302 045 |                | IVE          | 013A 7  | 1315 302 121 |                | IVE          | 013A 9  |
| 1315 301 220 | 128.098        | MB       | 003B 24 | 1315 302 045 |                | RVI          | 016A 7  | 1315 302 121 |                | RVI          | 016A 9  |
| 1315 301 220 | 128.098        | MAN      | 004B 25 | 1315 302 045 |                | RVI          | 017A 7  | 1315 302 121 |                | RVI          | 017A 9  |
| 1315 301 220 | 128.098        | MAN      | 005B 25 | 1315 302 045 |                | DAF          | 022A 7  | 1315 302 121 |                | DAF          | 022A 9  |
| 1315 301 220 | 128.098        | MAN      | 005B 25 | 1315 302 045 |                | DAF          | 023A 7  | 1315 302 121 |                | DAF          | 023A 9  |
| 1315 301 220 | 128.098        | MAN      | 006B 24 | 1315 302 047 |                | MAN          | 007A 7  | 1315 302 136 |                | MAN          | 007A 11 |
| 1315 301 220 | 128.098        | IVE      | 009B 25 | 1315 302 047 |                | MAN          | 008A 7  | 1315 302 136 |                | MAN          | 008A 11 |
| 1315 301 220 | 128.098        | IVE      | 009B 25 | 1315 302 047 |                | IVE          | 012A 7  | 1315 302 136 |                | IVE          | 012A 11 |
| 1315 301 220 | 128.098        | IVE      | 010B 25 | 1315 302 047 |                | IVE          | 013A 7  | 1315 302 136 |                | IVE          | 013A 11 |
| 1315 301 220 | 128.098        | IVE      | 010B 25 | 1315 302 047 |                | RVI          | 016A 7  | 1315 302 136 |                | RVI          | 016A 11 |
| 1315 301 220 | 128.098        | IVE      | 011B 24 | 1315 302 047 |                | RVI          | 017A 7  | 1315 302 136 |                | RVI          | 017A 11 |
| 1315 301 220 | 128.098        | RVI      | 014B 25 | 1315 302 047 |                | DAF          | 022A 7  | 1315 302 136 |                | DAF          | 022A 11 |
| 1315 301 220 | 128.098        | RVI      | 015B 24 | 1315 302 047 |                | DAF          | 023A 7  | 1315 302 136 |                | DAF          | 023A 11 |
| 1315 301 220 | 128.098        | DAF      | 019B 25 | 1315 302 057 |                | MAN          | 007A 4  | 1315 302 157 | <b>145.553</b> | MAN          | 007A 20 |
| 1315 301 220 | 128.098        | DAF      | 019B 25 | 1315 302 057 |                | MAN          | 008A 4  | 1315 302 157 | <b>145.553</b> | MAN          | 008A 17 |

Date

03 / 2006

Table

Index

ZF references index  
Indice riferimenti ZF

| Ref. ZF      | Ref. CEI | OEM | Tav. | Fig. | Ref. ZF      | Ref. CEI | OEM          | Tav. | Fig. | Ref. ZF      | Ref. CEI | OEM | Tav. | Fig. |
|--------------|----------|-----|------|------|--------------|----------|--------------|------|------|--------------|----------|-----|------|------|
| 1315 302 157 | 145.553  | IVE | 012A | 20   | 1315 303 010 | 146.368  | MAN          | 008A | 67   | 1315 303 048 | 105.112  | IVE | 012A | 68   |
| 1315 302 157 | 145.553  | IVE | 013A | 17   | 1315 303 010 | 146.368  | IVE          | 012A | 67   | 1315 303 048 | 105.112  | RVI | 016A | 68   |
| 1315 302 157 | 145.553  | RVI | 016A | 20   | 1315 303 010 | 146.368  | IVE          | 013A | 67   | 1315 303 048 | 105.112  | DAF | 022A | 68   |
| 1315 302 157 | 145.553  | RVI | 017A | 17   | 1315 303 010 | 146.368  | RVI          | 016A | 67   | 1315 303 049 | 105.095  | MAN | 007A | 68   |
| 1315 302 157 | 145.553  | DAF | 022A | 20   | 1315 303 010 | 146.368  | RVI          | 017A | 67   | 1315 303 049 | 105.095  | IVE | 012A | 68   |
| 1315 302 157 | 145.553  | DAF | 023A | 17   | 1315 303 010 | 146.368  | DAF          | 022A | 67   | 1315 303 049 | 105.095  | RVI | 016A | 68   |
| 1315 302 158 | 145.556  | MAN | 007A | 20   | 1315 303 010 | 146.368  | DAF          | 023A | 67   | 1315 303 049 | 105.095  | DAF | 022A | 68   |
| 1315 302 158 | 145.556  | MAN | 008A | 17   | 1315 303 011 | See      | 1315 303 046 |      |      | 1315 303 050 | 146.474  | MAN | 007A | 66   |
| 1315 302 158 | 145.556  | IVE | 012A | 20   | 1315 303 012 | See      | 1315 303 052 |      |      | 1315 303 050 | 146.474  | MAN | 008A | 66   |
| 1315 302 158 | 145.556  | IVE | 013A | 17   | 1315 303 027 |          | MAN          | 007A | 3    | 1315 303 050 | 146.474  | IVE | 012A | 66   |
| 1315 302 158 | 145.556  | RVI | 016A | 20   | 1315 303 027 |          | MAN          | 008A | 3    | 1315 303 050 | 146.474  | IVE | 013A | 66   |
| 1315 302 158 | 145.556  | RVI | 017A | 17   | 1315 303 027 |          | IVE          | 012A | 3    | 1315 303 050 | 146.474  | RVI | 016A | 66   |
| 1315 302 158 | 145.556  | DAF | 022A | 20   | 1315 303 027 |          | IVE          | 013A | 3    | 1315 303 050 | 146.474  | RVI | 017A | 66   |
| 1315 302 158 | 145.556  | DAF | 023A | 17   | 1315 303 027 |          | RVI          | 016A | 3    | 1315 303 050 | 146.474  | DAF | 022A | 66   |
| 1315 302 173 | 145.513  | MAN | 007A | 20   | 1315 303 027 |          | RVI          | 017A | 3    | 1315 303 050 | 146.474  | DAF | 023A | 66   |
| 1315 302 173 | 145.513  | MAN | 008A | 17   | 1315 303 027 |          | DAF          | 022A | 3    | 1315 303 051 | 146.473  | MAN | 007A | 65   |
| 1315 302 173 | 145.513  | IVE | 012A | 20   | 1315 303 027 |          | DAF          | 023A | 3    | 1315 303 051 | 146.473  | MAN | 008A | 65   |
| 1315 302 173 | 145.513  | IVE | 013A | 17   | 1315 303 041 | 105.109  | MAN          | 007A | 68   | 1315 303 051 | 146.473  | IVE | 012A | 65   |
| 1315 302 173 | 145.513  | RVI | 016A | 20   | 1315 303 041 | 105.109  | MAN          | 008A | 68   | 1315 303 051 | 146.473  | IVE | 013A | 65   |
| 1315 302 173 | 145.513  | RVI | 017A | 17   | 1315 303 041 | 105.109  | IVE          | 012A | 68   | 1315 303 051 | 146.473  | RVI | 016A | 65   |
| 1315 302 173 | 145.513  | DAF | 022A | 20   | 1315 303 041 | 105.109  | IVE          | 013A | 68   | 1315 303 051 | 146.473  | RVI | 017A | 65   |
| 1315 302 173 | 145.513  | DAF | 023A | 17   | 1315 303 041 | 105.109  | RVI          | 016A | 68   | 1315 303 051 | 146.473  | DAF | 022A | 65   |
| 1315 303 004 | 146.365  | MAN | 007A | 67   | 1315 303 041 | 105.109  | RVI          | 017A | 68   | 1315 303 051 | 146.473  | DAF | 023A | 65   |
| 1315 303 004 | 146.365  | MAN | 008A | 67   | 1315 303 041 | 105.109  | DAF          | 022A | 68   | 1315 303 052 | 146.427  | MAN | 007A | 65   |
| 1315 303 004 | 146.365  | IVE | 012A | 67   | 1315 303 041 | 105.109  | DAF          | 023A | 68   | 1315 303 052 | 146.427  | MAN | 008A | 65   |
| 1315 303 004 | 146.365  | IVE | 013A | 67   | 1315 303 042 | 105.124  | MAN          | 007A | 68   | 1315 303 052 | 146.427  | IVE | 012A | 65   |
| 1315 303 004 | 146.365  | RVI | 016A | 67   | 1315 303 042 | 105.124  | MAN          | 008A | 68   | 1315 303 052 | 146.427  | IVE | 013A | 65   |
| 1315 303 004 | 146.365  | RVI | 017A | 67   | 1315 303 042 | 105.124  | IVE          | 012A | 68   | 1315 303 052 | 146.427  | RVI | 016A | 65   |
| 1315 303 004 | 146.365  | DAF | 022A | 67   | 1315 303 042 | 105.124  | IVE          | 013A | 68   | 1315 303 052 | 146.427  | RVI | 017A | 65   |
| 1315 303 004 | 146.365  | DAF | 023A | 67   | 1315 303 042 | 105.124  | RVI          | 016A | 68   | 1315 303 052 | 146.427  | DAF | 022A | 65   |
| 1315 303 006 | 146.389  | MAN | 007A | 66   | 1315 303 042 | 105.124  | RVI          | 017A | 68   | 1315 303 052 | 146.427  | DAF | 023A | 65   |
| 1315 303 006 | 146.389  | IVE | 012A | 66   | 1315 303 042 | 105.124  | DAF          | 022A | 68   | 1315 304 004 | 145.452  | MAN | 007A | 56   |
| 1315 303 006 | 146.389  | RVI | 016A | 66   | 1315 303 042 | 105.124  | DAF          | 023A | 68   | 1315 304 004 | 145.452  | MAN | 008A | 56   |
| 1315 303 006 | 146.389  | DAF | 022A | 66   | 1315 303 042 | See      | 1315 303 063 |      |      | 1315 304 004 | 145.452  | IVE | 012A | 56   |
| 1315 303 008 | 146.367  | MAN | 007A | 65   | 1315 303 046 | 146.429  | MAN          | 007A | 66   | 1315 304 004 | 145.452  | IVE | 013A | 56   |
| 1315 303 008 | 146.367  | MAN | 008A | 65   | 1315 303 046 | 146.429  | MAN          | 008A | 66   | 1315 304 004 | 145.452  | RVI | 016A | 56   |
| 1315 303 008 | 146.367  | IVE | 012A | 65   | 1315 303 046 | 146.429  | IVE          | 012A | 66   | 1315 304 004 | 145.452  | RVI | 017A | 56   |
| 1315 303 008 | 146.367  | IVE | 013A | 65   | 1315 303 046 | 146.429  | IVE          | 013A | 66   | 1315 304 004 | 145.452  | DAF | 022A | 56   |
| 1315 303 008 | 146.367  | RVI | 016A | 65   | 1315 303 046 | 146.429  | RVI          | 016A | 66   | 1315 304 004 | 145.452  | DAF | 023A | 56   |
| 1315 303 008 | 146.367  | RVI | 017A | 65   | 1315 303 046 | 146.429  | RVI          | 017A | 66   | 1315 304 006 | 147.123  | MAN | 007A | 60   |
| 1315 303 008 | 146.367  | DAF | 022A | 65   | 1315 303 046 | 146.429  | DAF          | 022A | 66   | 1315 304 006 | 147.123  | MAN | 008A | 60   |
| 1315 303 008 | 146.367  | DAF | 023A | 65   | 1315 303 046 | 146.429  | DAF          | 023A | 66   | 1315 304 006 | 147.123  | IVE | 012A | 60   |
| 1315 303 010 | 146.368  | MAN | 007A | 67   | 1315 303 048 | 105.112  | MAN          | 007A | 68   | 1315 304 006 | 147.123  | IVE | 013A | 60   |

Date

03 / 2006

Table

Index

| Ref. ZF      | Ref. CEI       | OEM Tav. | Fig.    | Ref. ZF      | Ref. CEI       | OEM Tav. | Fig.    | Ref. ZF      | Ref. CEI       | OEM Tav.     | Fig.    |
|--------------|----------------|----------|---------|--------------|----------------|----------|---------|--------------|----------------|--------------|---------|
| 1315 304 006 | <b>147.123</b> | RVI      | 016A 60 | 1315 304 025 | <b>145.454</b> | IVE      | 013A 42 | 1315 304 048 |                | IVE          | 012A 27 |
| 1315 304 006 | <b>147.123</b> | RVI      | 017A 60 | 1315 304 025 | <b>145.454</b> | RVI      | 016A 42 | 1315 304 048 |                | IVE          | 013A 27 |
| 1315 304 006 | <b>147.123</b> | DAF      | 022A 60 | 1315 304 025 | <b>145.454</b> | RVI      | 017A 42 | 1315 304 048 |                | RVI          | 016A 27 |
| 1315 304 006 | <b>147.123</b> | DAF      | 023A 60 | 1315 304 025 | <b>145.454</b> | DAF      | 022A 42 | 1315 304 048 |                | RVI          | 017A 27 |
| 1315 304 010 | <i>145.729</i> | MAN      | 007A 31 | 1315 304 025 | <b>145.454</b> | DAF      | 023A 42 | 1315 304 048 |                | DAF          | 022A 27 |
| 1315 304 010 | <i>145.729</i> | IVE      | 012A 31 | 1315 304 026 | <b>145.455</b> | MAN      | 007A 42 | 1315 304 048 |                | DAF          | 023A 27 |
| 1315 304 010 | <i>145.729</i> | RVI      | 016A 31 | 1315 304 026 | <b>145.455</b> | MAN      | 008A 42 | 1315 304 051 |                | MB           | 003A 23 |
| 1315 304 010 | <i>145.729</i> | DAF      | 022A 31 | 1315 304 026 | <b>145.455</b> | IVE      | 012A 42 | 1315 304 051 |                | MAN          | 006A 23 |
| 1315 304 013 | <b>147.124</b> | MAN      | 007A 60 | 1315 304 026 | <b>145.455</b> | IVE      | 013A 42 | 1315 304 051 |                | IVE          | 011A 23 |
| 1315 304 013 | <b>147.124</b> | MAN      | 008A 60 | 1315 304 026 | <b>145.455</b> | RVI      | 016A 42 | 1315 304 051 |                | RVI          | 015A 23 |
| 1315 304 013 | <b>147.124</b> | IVE      | 012A 60 | 1315 304 026 | <b>145.455</b> | RVI      | 017A 42 | 1315 304 051 |                | DAF          | 021A 23 |
| 1315 304 013 | <b>147.124</b> | IVE      | 013A 60 | 1315 304 026 | <b>145.455</b> | DAF      | 022A 42 | 1315 304 084 | See            | 1315 304 131 |         |
| 1315 304 013 | <b>147.124</b> | RVI      | 016A 60 | 1315 304 026 | <b>145.455</b> | DAF      | 023A 42 | 1315 304 089 | <b>146.320</b> | MAN          | 007A 31 |
| 1315 304 013 | <b>147.124</b> | RVI      | 017A 60 | 1315 304 027 | <b>145.456</b> | MAN      | 007A 39 | 1315 304 089 | <b>146.320</b> | MAN          | 008A 31 |
| 1315 304 013 | <b>147.124</b> | DAF      | 022A 60 | 1315 304 027 | <b>145.456</b> | MAN      | 008A 39 | 1315 304 089 | <b>146.320</b> | IVE          | 012A 31 |
| 1315 304 013 | <b>147.124</b> | DAF      | 023A 60 | 1315 304 027 | <b>145.456</b> | IVE      | 012A 39 | 1315 304 089 | <b>146.320</b> | IVE          | 013A 31 |
| 1315 304 014 | <b>145.453</b> | MAN      | 007A 56 | 1315 304 027 | <b>145.456</b> | IVE      | 013A 39 | 1315 304 089 | <b>146.320</b> | RVI          | 016A 31 |
| 1315 304 014 | <b>145.453</b> | MAN      | 008A 56 | 1315 304 027 | <b>145.456</b> | RVI      | 016A 39 | 1315 304 089 | <b>146.320</b> | RVI          | 017A 31 |
| 1315 304 014 | <b>145.453</b> | IVE      | 012A 56 | 1315 304 027 | <b>145.456</b> | RVI      | 017A 39 | 1315 304 089 | <b>146.320</b> | DAF          | 022A 31 |
| 1315 304 014 | <b>145.453</b> | IVE      | 013A 56 | 1315 304 027 | <b>145.456</b> | DAF      | 022A 39 | 1315 304 089 | <b>146.320</b> | DAF          | 023A 31 |
| 1315 304 014 | <b>145.453</b> | RVI      | 016A 56 | 1315 304 027 | <b>145.456</b> | DAF      | 023A 39 | 1315 304 130 | <b>103.135</b> | MAN          | 006A 33 |
| 1315 304 014 | <b>145.453</b> | RVI      | 017A 56 | 1315 304 028 | <b>145.514</b> | MAN      | 007A 39 | 1315 304 130 | <b>103.135</b> | MAN          | 007A 41 |
| 1315 304 014 | <b>145.453</b> | DAF      | 022A 56 | 1315 304 028 | <b>145.514</b> | MAN      | 008A 39 | 1315 304 130 | <b>103.135</b> | IVE          | 011A 33 |
| 1315 304 014 | <b>145.453</b> | DAF      | 023A 56 | 1315 304 028 | <b>145.514</b> | IVE      | 012A 39 | 1315 304 130 | <b>103.135</b> | IVE          | 012A 41 |
| 1315 304 017 | <b>146.431</b> | MAN      | 007A 31 | 1315 304 028 | <b>145.514</b> | IVE      | 013A 39 | 1315 304 130 | <b>103.135</b> | RVI          | 015A 33 |
| 1315 304 017 | <b>146.431</b> | MAN      | 008A 31 | 1315 304 028 | <b>145.514</b> | RVI      | 016A 39 | 1315 304 130 | <b>103.135</b> | RVI          | 016A 41 |
| 1315 304 017 | <b>146.431</b> | IVE      | 012A 31 | 1315 304 028 | <b>145.514</b> | RVI      | 017A 39 | 1315 304 130 | <b>103.135</b> | DAF          | 021A 33 |
| 1315 304 017 | <b>146.431</b> | IVE      | 013A 31 | 1315 304 028 | <b>145.514</b> | DAF      | 022A 39 | 1315 304 130 | <b>103.135</b> | DAF          | 022A 41 |
| 1315 304 017 | <b>146.431</b> | RVI      | 016A 31 | 1315 304 028 | <b>145.514</b> | DAF      | 023A 39 | 1315 304 131 | <b>103.138</b> | MAN          | 008A 41 |
| 1315 304 017 | <b>146.431</b> | RVI      | 017A 31 | 1315 304 029 | <b>103.127</b> | MAN      | 007A 41 | 1315 304 131 | <b>103.138</b> | IVE          | 013A 41 |
| 1315 304 017 | <b>146.431</b> | DAF      | 022A 31 | 1315 304 029 | <b>103.127</b> | IVE      | 012A 41 | 1315 304 131 | <b>103.138</b> | RVI          | 017A 41 |
| 1315 304 017 | <b>146.431</b> | DAF      | 023A 31 | 1315 304 029 | <b>103.127</b> | RVI      | 016A 41 | 1315 304 131 | <b>103.138</b> | DAF          | 023A 41 |
| 1315 304 018 | <b>109.144</b> | MAN      | 007A 57 | 1315 304 029 | <b>103.127</b> | DAF      | 022A 41 | 1315 304 132 | <b>117.293</b> | MAN          | 006A 52 |
| 1315 304 018 | <b>109.144</b> | MAN      | 008A 57 | 1315 304 043 |                | MAN      | 007A 27 | 1315 304 132 | <b>117.293</b> | MAN          | 007A 58 |
| 1315 304 018 | <b>109.144</b> | IVE      | 012A 57 | 1315 304 043 |                | MAN      | 008A 27 | 1315 304 132 | <b>117.293</b> | MAN          | 008A 58 |
| 1315 304 018 | <b>109.144</b> | IVE      | 013A 57 | 1315 304 043 |                | IVE      | 012A 27 | 1315 304 132 | <b>117.293</b> | IVE          | 011A 52 |
| 1315 304 018 | <b>109.144</b> | RVI      | 016A 57 | 1315 304 043 |                | IVE      | 013A 27 | 1315 304 132 | <b>117.293</b> | IVE          | 012A 58 |
| 1315 304 018 | <b>109.144</b> | RVI      | 017A 57 | 1315 304 043 |                | RVI      | 016A 27 | 1315 304 132 | <b>117.293</b> | IVE          | 013A 58 |
| 1315 304 018 | <b>109.144</b> | DAF      | 022A 57 | 1315 304 043 |                | RVI      | 017A 27 | 1315 304 132 | <b>117.293</b> | RVI          | 015A 52 |
| 1315 304 018 | <b>109.144</b> | DAF      | 023A 57 | 1315 304 043 |                | DAF      | 022A 27 | 1315 304 132 | <b>117.293</b> | RVI          | 016A 58 |
| 1315 304 025 | <b>145.454</b> | MAN      | 007A 42 | 1315 304 043 |                | DAF      | 023A 27 | 1315 304 132 | <b>117.293</b> | RVI          | 017A 58 |
| 1315 304 025 | <b>145.454</b> | MAN      | 008A 42 | 1315 304 048 |                | MAN      | 007A 27 | 1315 304 132 | <b>117.293</b> | DAF          | 021A 52 |
| 1315 304 025 | <b>145.454</b> | IVE      | 012A 42 | 1315 304 048 |                | MAN      | 008A 27 | 1315 304 132 | <b>117.293</b> | DAF          | 022A 58 |

Date

03 / 2006

Table

Index

ZF references index  
Indice riferimenti ZF



| Ref. ZF      | Ref. CEI       | OEM | Tav. | Fig. | Ref. ZF      | Ref. CEI | OEM | Tav. | Fig. | Ref. ZF      | Ref. CEI       | OEM          | Tav. | Fig. |
|--------------|----------------|-----|------|------|--------------|----------|-----|------|------|--------------|----------------|--------------|------|------|
| 1315 304 132 | <b>117.293</b> | DAF | 023A | 58   | 1315 305 009 | 190.302  | MAN | 008A | 73   | 1315 312 049 |                | RVI          | 016B | 34   |
| 1315 304 135 | <b>154.357</b> | MB  | 003A | 30   | 1315 305 009 | 190.302  | IVE | 012A | 73   | 1315 312 049 |                | RVI          | 017B | 36   |
| 1315 304 135 | <b>154.357</b> | MAN | 006A | 30   | 1315 305 009 | 190.302  | IVE | 013A | 73   | 1315 312 049 |                | DAF          | 022B | 34   |
| 1315 304 135 | <b>154.357</b> | MAN | 007A | 36   | 1315 305 009 | 190.302  | RVI | 016A | 73   | 1315 312 049 |                | DAF          | 023B | 36   |
| 1315 304 135 | <b>154.357</b> | MAN | 008A | 36   | 1315 305 009 | 190.302  | RVI | 017A | 73   | 1315 312 074 |                | MAN          | 007B | 33   |
| 1315 304 135 | <b>154.357</b> | IVE | 011A | 30   | 1315 305 009 | 190.302  | DAF | 022A | 73   | 1315 312 074 |                | MAN          | 008B | 35   |
| 1315 304 135 | <b>154.357</b> | IVE | 012A | 34   | 1315 305 009 | 190.302  | DAF | 023A | 73   | 1315 312 074 |                | IVE          | 012B | 33   |
| 1315 304 135 | <b>154.357</b> | IVE | 013A | 36   | 1315 312 017 |          | MAN | 007B | 33   | 1315 312 074 |                | IVE          | 013B | 35   |
| 1315 304 135 | <b>154.357</b> | RVI | 015A | 30   | 1315 312 017 |          | MAN | 008B | 35   | 1315 312 074 |                | RVI          | 016B | 33   |
| 1315 304 135 | <b>154.357</b> | RVI | 016A | 36   | 1315 312 017 |          | IVE | 012B | 33   | 1315 312 074 |                | RVI          | 017B | 35   |
| 1315 304 135 | <b>154.357</b> | RVI | 017A | 36   | 1315 312 017 |          | IVE | 013B | 35   | 1315 312 074 |                | DAF          | 022B | 33   |
| 1315 304 135 | <b>154.357</b> | DAF | 021A | 30   | 1315 312 017 |          | RVI | 016B | 33   | 1315 312 074 |                | DAF          | 023B | 35   |
| 1315 304 135 | <b>154.357</b> | DAF | 022A | 36   | 1315 312 017 |          | RVI | 017B | 35   | 1315 332 002 | <b>150.140</b> | MAN          | 007B | 10   |
| 1315 304 135 | <b>154.357</b> | DAF | 023A | 36   | 1315 312 017 |          | DAF | 022B | 33   | 1315 332 002 | <b>150.140</b> | IVE          | 012B | 10   |
| 1315 304 136 | <b>154.358</b> | MAN | 006A | 40   | 1315 312 017 |          | DAF | 023B | 35   | 1315 332 002 | <b>150.140</b> | RVI          | 016B | 10   |
| 1315 304 136 | <b>154.358</b> | MAN | 007A | 53   | 1315 312 020 |          | MAN | 007B | 37   | 1315 332 002 | <b>150.140</b> | DAF          | 022B | 10   |
| 1315 304 136 | <b>154.358</b> | MAN | 008A | 53   | 1315 312 020 |          | MAN | 008B | 39   | 1315 332 003 | <b>123.221</b> | MAN          | 007B | 9    |
| 1315 304 136 | <b>154.358</b> | IVE | 011A | 40   | 1315 312 020 |          | IVE | 012B | 37   | 1315 332 003 | <b>123.221</b> | IVE          | 012B | 9    |
| 1315 304 136 | <b>154.358</b> | IVE | 012A | 53   | 1315 312 020 |          | IVE | 013B | 39   | 1315 332 003 | <b>123.221</b> | RVI          | 016B | 9    |
| 1315 304 136 | <b>154.358</b> | IVE | 013A | 53   | 1315 312 020 |          | RVI | 016B | 37   | 1315 332 003 | <b>123.221</b> | DAF          | 022B | 9    |
| 1315 304 136 | <b>154.358</b> | RVI | 015A | 40   | 1315 312 020 |          | RVI | 017B | 39   | 1315 332 041 | <b>123.211</b> | MAN          | 008B | 9    |
| 1315 304 136 | <b>154.358</b> | RVI | 016A | 53   | 1315 312 020 |          | DAF | 022B | 37   | 1315 332 041 | <b>123.211</b> | IVE          | 013B | 9    |
| 1315 304 136 | <b>154.358</b> | RVI | 017A | 53   | 1315 312 020 |          | DAF | 023B | 39   | 1315 332 041 | <b>123.211</b> | RVI          | 017B | 9    |
| 1315 304 136 | <b>154.358</b> | DAF | 021A | 40   | 1315 312 022 |          | MAN | 007B | 34   | 1315 332 041 | <b>123.211</b> | DAF          | 023B | 9    |
| 1315 304 136 | <b>154.358</b> | DAF | 022A | 53   | 1315 312 022 |          | MAN | 008B | 36   | 1315 332 044 | See            | 1315 332 053 |      |      |
| 1315 304 136 | <b>154.358</b> | DAF | 023A | 53   | 1315 312 022 |          | IVE | 012B | 34   | 1315 332 053 | 107.159        | MAN          | 008B | 2    |
| 1315 305 002 | 147.126        | MAN | 007A | 71   | 1315 312 022 |          | IVE | 013B | 36   | 1315 332 053 | 107.159        | MAN          | 008B | 2    |
| 1315 305 002 | 147.126        | MAN | 008A | 71   | 1315 312 022 |          | RVI | 016B | 34   | 1315 332 053 | 107.159        | IVE          | 013B | 2    |
| 1315 305 002 | 147.126        | IVE | 012A | 71   | 1315 312 022 |          | RVI | 017B | 36   | 1315 332 053 | 107.159        | IVE          | 013B | 2    |
| 1315 305 002 | 147.126        | IVE | 013A | 71   | 1315 312 022 |          | DAF | 022B | 34   | 1315 332 053 | 107.159        | RVI          | 017B | 2    |
| 1315 305 002 | 147.126        | RVI | 016A | 71   | 1315 312 022 |          | DAF | 023B | 36   | 1315 332 053 | 107.159        | RVI          | 017B | 2    |
| 1315 305 002 | 147.126        | RVI | 017A | 71   | 1315 312 048 |          | MAN | 007B | 38   | 1315 332 053 | 107.159        | DAF          | 023B | 2    |
| 1315 305 002 | 147.126        | DAF | 022A | 71   | 1315 312 048 |          | MAN | 008B | 40   | 1315 332 053 | 107.159        | DAF          | 023B | 2    |
| 1315 305 002 | 147.126        | DAF | 023A | 71   | 1315 312 048 |          | IVE | 012B | 38   | 1315 334 021 |                | MAN          | 007B | 44   |
| 1315 305 005 | 147.142        | MAN | 007A | 71   | 1315 312 048 |          | IVE | 013B | 40   | 1315 334 021 |                | MAN          | 008B | 46   |
| 1315 305 005 | 147.142        | MAN | 008A | 71   | 1315 312 048 |          | RVI | 016B | 38   | 1315 334 021 |                | IVE          | 012B | 44   |
| 1315 305 005 | 147.142        | IVE | 012A | 71   | 1315 312 048 |          | RVI | 017B | 40   | 1315 334 021 |                | IVE          | 013B | 46   |
| 1315 305 005 | 147.142        | IVE | 013A | 71   | 1315 312 048 |          | DAF | 022B | 38   | 1315 334 021 |                | RVI          | 016B | 44   |
| 1315 305 005 | 147.142        | RVI | 016A | 71   | 1315 312 048 |          | DAF | 023B | 40   | 1315 334 021 |                | RVI          | 017B | 46   |
| 1315 305 005 | 147.142        | RVI | 017A | 71   | 1315 312 049 |          | MAN | 007B | 34   | 1315 334 021 |                | DAF          | 022B | 44   |
| 1315 305 005 | 147.142        | DAF | 022A | 71   | 1315 312 049 |          | MAN | 008B | 36   | 1315 334 021 |                | DAF          | 023B | 46   |
| 1315 305 005 | 147.142        | DAF | 023A | 71   | 1315 312 049 |          | IVE | 012B | 34   | 1315 334 034 |                | MAN          | 007B | 46   |
| 1315 305 009 | 190.302        | MAN | 007A | 73   | 1315 312 049 |          | IVE | 013B | 36   | 1315 334 034 |                | MAN          | 008B | 48   |

Date

03 / 2006

Table

Index

| Ref. ZF      | Ref. CEI | OEM Tav. Fig. | Ref. ZF      | Ref. CEI | OEM Tav. Fig. | Ref. ZF      | Ref. CEI | OEM Tav. Fig. |
|--------------|----------|---------------|--------------|----------|---------------|--------------|----------|---------------|
| 1315 334 034 |          | IVE 012B 46   | 1316 201 030 |          | MAN 008A 72   | 1316 202 038 |          | RVI 017A 20   |
| 1315 334 034 |          | IVE 013B 48   | 1316 201 030 |          | IVE 012A 72   | 1316 202 038 |          | DAF 022A 21   |
| 1315 334 034 |          | RVI 016B 46   | 1316 201 030 |          | IVE 013A 72   | 1316 202 038 |          | DAF 023A 20   |
| 1315 334 034 |          | RVI 017B 48   | 1316 201 030 |          | RVI 016A 72   | 1316 206 013 |          | MAN 007B 31   |
| 1315 334 034 |          | DAF 022B 46   | 1316 201 030 |          | RVI 017A 72   | 1316 206 013 |          | MAN 008B 33   |
| 1315 334 034 |          | DAF 023B 48   | 1316 201 030 |          | DAF 022A 72   | 1316 206 013 |          | IVE 012B 31   |
| 1315 334 039 |          | MAN 007B 40   | 1316 201 030 |          | DAF 023A 72   | 1316 206 013 |          | IVE 013B 33   |
| 1315 334 039 |          | MAN 008B 42   | 1316 201 075 |          | MAN 008A 72   | 1316 206 013 |          | RVI 016B 31   |
| 1315 334 039 |          | IVE 012B 40   | 1316 201 075 |          | RVI 017A 72   | 1316 206 013 |          | RVI 017B 33   |
| 1315 334 039 |          | IVE 013B 42   | 1316 201 075 |          | DAF 023A 72   | 1316 206 013 |          | DAF 022B 31   |
| 1315 334 039 |          | RVI 016B 40   | 1316 202 005 | 190.297  | MAN 007A 18   | 1316 206 013 |          | DAF 023B 33   |
| 1315 334 039 |          | RVI 017B 42   | 1316 202 005 | 190.297  | IVE 012A 18   | 1316 206 014 |          | MAN 007B 31   |
| 1315 334 039 |          | DAF 022B 40   | 1316 202 005 | 190.297  | RVI 016A 18   | 1316 206 014 |          | MAN 008B 33   |
| 1315 334 039 |          | DAF 023B 42   | 1316 202 005 | 190.297  | DAF 022A 18   | 1316 206 014 |          | IVE 012B 31   |
| 1315 334 056 |          | MAN 007B 47   | 1316 202 025 | 190.303  | MAN 007A 21   | 1316 206 014 |          | IVE 013B 33   |
| 1315 334 056 |          | MAN 008B 49   | 1316 202 025 | 190.303  | MAN 008A 20   | 1316 206 014 |          | RVI 016B 31   |
| 1315 334 056 |          | IVE 012B 47   | 1316 202 025 | 190.303  | IVE 012A 21   | 1316 206 014 |          | RVI 017B 33   |
| 1315 334 056 |          | IVE 013B 49   | 1316 202 025 | 190.303  | IVE 013A 20   | 1316 206 014 |          | DAF 022B 31   |
| 1315 334 056 |          | RVI 016B 47   | 1316 202 025 | 190.303  | RVI 016A 21   | 1316 206 014 |          | DAF 023B 33   |
| 1315 334 056 |          | RVI 017B 49   | 1316 202 025 | 190.303  | RVI 017A 20   | 1316 206 017 |          | MAN 007B 29   |
| 1315 334 056 |          | DAF 022B 47   | 1316 202 025 | 190.303  | DAF 022A 21   | 1316 206 017 |          | MAN 008B 31   |
| 1315 334 056 |          | DAF 023B 49   | 1316 202 025 | 190.303  | DAF 023A 20   | 1316 206 017 |          | IVE 012B 29   |
| 1315 334 058 |          | MAN 007B 41   | 1316 202 026 | 190.300  | MAN 007A 21   | 1316 206 017 |          | IVE 013B 31   |
| 1315 334 058 |          | MAN 008B 43   | 1316 202 026 | 190.300  | MAN 008A 20   | 1316 206 017 |          | RVI 016B 29   |
| 1315 334 058 |          | IVE 012B 41   | 1316 202 026 | 190.300  | IVE 012A 21   | 1316 206 017 |          | RVI 017B 31   |
| 1315 334 058 |          | IVE 013B 43   | 1316 202 026 | 190.300  | IVE 013A 20   | 1316 206 017 |          | DAF 022B 29   |
| 1315 334 058 |          | RVI 016B 41   | 1316 202 026 | 190.300  | RVI 016A 21   | 1316 206 017 |          | DAF 023B 31   |
| 1315 334 058 |          | RVI 017B 43   | 1316 202 026 | 190.300  | RVI 017A 20   | 1316 206 018 |          | MAN 007B 29   |
| 1315 334 058 |          | DAF 022B 41   | 1316 202 026 | 190.300  | DAF 022A 21   | 1316 206 018 |          | MAN 008B 31   |
| 1315 334 058 |          | DAF 023B 43   | 1316 202 026 | 190.300  | DAF 023A 20   | 1316 206 018 |          | IVE 012B 29   |
| 1315 338 002 |          | MAN 007B 27   | 1316 202 033 | 190.310  | MAN 007A 21   | 1316 206 018 |          | IVE 013B 31   |
| 1315 338 002 |          | IVE 012B 27   | 1316 202 033 | 190.310  | MAN 008A 20   | 1316 206 018 |          | RVI 016B 29   |
| 1315 338 002 |          | RVI 016B 27   | 1316 202 033 | 190.310  | IVE 012A 21   | 1316 206 018 |          | RVI 017B 31   |
| 1315 338 002 |          | DAF 022B 27   | 1316 202 033 | 190.310  | IVE 013A 20   | 1316 206 018 |          | DAF 022B 29   |
| 1316 201 029 | 190.301  | MAN 007A 72   | 1316 202 033 | 190.310  | RVI 016A 21   | 1316 206 018 |          | DAF 023B 31   |
| 1316 201 029 | 190.301  | MAN 008A 72   | 1316 202 033 | 190.310  | RVI 017A 20   | 1316 206 025 |          | MAN 007B 30   |
| 1316 201 029 | 190.301  | IVE 012A 72   | 1316 202 033 | 190.310  | DAF 022A 21   | 1316 206 025 |          | MAN 008B 32   |
| 1316 201 029 | 190.301  | IVE 013A 72   | 1316 202 033 | 190.310  | DAF 023A 20   | 1316 206 025 |          | IVE 012B 30   |
| 1316 201 029 | 190.301  | RVI 016A 72   | 1316 202 038 |          | MAN 007A 21   | 1316 206 025 |          | IVE 013B 32   |
| 1316 201 029 | 190.301  | RVI 017A 72   | 1316 202 038 |          | MAN 008A 20   | 1316 206 025 |          | RVI 016B 30   |
| 1316 201 029 | 190.301  | DAF 022A 72   | 1316 202 038 |          | IVE 012A 21   | 1316 206 025 |          | RVI 017B 32   |
| 1316 201 029 | 190.301  | DAF 023A 72   | 1316 202 038 |          | IVE 013A 20   | 1316 206 025 |          | DAF 022B 30   |
| 1316 201 030 |          | MAN 007A 72   | 1316 202 038 |          | RVI 016A 21   | 1316 206 025 |          | DAF 023B 32   |

All original equipment manufacturers numbers, symbols, pictures, models and description used in this catalogue are for reference only, and it is not implied that any part listed is the product of these manufactures.  
Tutti i nostri particolari non sono originali ma con essi intercambiabili. I riferimenti originali, le figure, i modelli sono esposti a semplice titolo indicativo. La nostra produzione riporta il nostro marchio.

ZF references index  
Indice riferimenti ZF

Date

03 / 2006

Table

Index

| Ref. ZF      | Ref. CEI | OEM | Tav. | Fig. | Ref. ZF      | Ref. CEI       | OEM | Tav. | Fig. | Ref. ZF      | Ref. CEI       | OEM | Tav. | Fig. |
|--------------|----------|-----|------|------|--------------|----------------|-----|------|------|--------------|----------------|-----|------|------|
| 1316 206 026 |          | MAN | 007B | 30   | 1316 206 037 |                | IVE | 013B | 31   | 1316 232 017 |                | RVI | 017B | 8    |
| 1316 206 026 |          | MAN | 008B | 32   | 1316 206 037 |                | RVI | 016B | 29   | 1316 232 017 |                | DAF | 023B | 8    |
| 1316 206 026 |          | IVE | 012B | 30   | 1316 206 037 |                | RVI | 017B | 31   | 1316 232 019 | 190.325        | MAN | 008B | 1    |
| 1316 206 026 |          | IVE | 013B | 32   | 1316 206 037 |                | DAF | 022B | 29   | 1316 232 019 | 190.325        | MAN | 008B | 1    |
| 1316 206 026 |          | RVI | 016B | 30   | 1316 206 037 |                | DAF | 023B | 31   | 1316 232 019 | 190.325        | IVE | 013B | 1    |
| 1316 206 026 |          | RVI | 017B | 32   | 1316 206 038 |                | MAN | 007B | 29   | 1316 232 019 | 190.325        | IVE | 013B | 1    |
| 1316 206 026 |          | DAF | 022B | 30   | 1316 206 038 |                | MAN | 008B | 31   | 1316 232 019 | 190.325        | RVI | 017B | 1    |
| 1316 206 026 |          | DAF | 023B | 32   | 1316 206 038 |                | IVE | 012B | 29   | 1316 232 019 | 190.325        | RVI | 017B | 1    |
| 1316 206 027 |          | MAN | 007B | 30   | 1316 206 038 |                | IVE | 013B | 31   | 1316 232 019 | 190.325        | DAF | 023B | 1    |
| 1316 206 027 |          | MAN | 008B | 32   | 1316 206 038 |                | RVI | 016B | 29   | 1316 232 019 | 190.325        | DAF | 023B | 1    |
| 1316 206 027 |          | IVE | 012B | 30   | 1316 206 038 |                | RVI | 017B | 31   | 1316 232 021 |                | MAN | 008B | 1    |
| 1316 206 027 |          | IVE | 013B | 32   | 1316 206 038 |                | DAF | 022B | 29   | 1316 232 021 |                | RVI | 017B | 1    |
| 1316 206 027 |          | RVI | 016B | 30   | 1316 206 038 |                | DAF | 023B | 31   | 1316 232 021 |                | DAF | 023B | 1    |
| 1316 206 027 |          | RVI | 017B | 32   | 1316 221 017 |                | MAN | 007A | 21   | 1316 232 028 |                | MAN | 008B | 29   |
| 1316 206 027 |          | DAF | 022B | 30   | 1316 221 017 |                | MAN | 008A | 20   | 1316 232 028 |                | IVE | 013B | 29   |
| 1316 206 027 |          | DAF | 023B | 32   | 1316 221 017 |                | IVE | 012A | 21   | 1316 232 028 |                | RVI | 017B | 29   |
| 1316 206 033 |          | MAN | 007B | 30   | 1316 221 017 |                | IVE | 013A | 20   | 1316 232 028 |                | DAF | 023B | 29   |
| 1316 206 033 |          | MAN | 008B | 32   | 1316 221 017 |                | RVI | 016A | 21   | 1316 233 010 | <b>196.352</b> | MAN | 007B | 22   |
| 1316 206 033 |          | IVE | 012B | 30   | 1316 221 017 |                | RVI | 017A | 20   | 1316 233 010 | <b>196.352</b> | IVE | 012B | 22   |
| 1316 206 033 |          | IVE | 013B | 32   | 1316 221 017 |                | DAF | 022A | 21   | 1316 233 010 | <b>196.352</b> | RVI | 016B | 22   |
| 1316 206 033 |          | RVI | 016B | 30   | 1316 221 017 |                | DAF | 023A | 20   | 1316 233 010 | <b>196.352</b> | DAF | 022B | 22   |
| 1316 206 033 |          | RVI | 017B | 32   | 1316 232 005 |                | MB  | 002B | 1    | 1316 233 014 | <b>196.270</b> | MAN | 008B | 25   |
| 1316 206 033 |          | DAF | 022B | 30   | 1316 232 005 |                | MAN | 005B | 1    | 1316 233 014 | <b>196.270</b> | IVE | 013B | 25   |
| 1316 206 033 |          | DAF | 023B | 32   | 1316 232 005 |                | IVE | 009B | 1    | 1316 233 014 | <b>196.270</b> | RVI | 017B | 25   |
| 1316 206 034 |          | MAN | 007B | 30   | 1316 232 005 |                | IVE | 010B | 1    | 1316 233 014 | <b>196.270</b> | DAF | 023B | 25   |
| 1316 206 034 |          | MAN | 008B | 32   | 1316 232 005 |                | DAF | 019B | 1    | 1316 233 015 | <b>109.175</b> | MAN | 008B | 24   |
| 1316 206 034 |          | IVE | 012B | 30   | 1316 232 006 | 190.392        | MB  | 003B | 1    | 1316 233 015 | <b>109.175</b> | IVE | 013B | 24   |
| 1316 206 034 |          | IVE | 013B | 32   | 1316 232 006 | 190.392        | MAN | 006B | 1    | 1316 233 015 | <b>109.175</b> | RVI | 017B | 24   |
| 1316 206 034 |          | RVI | 016B | 30   | 1316 232 006 | 190.392        | MAN | 007B | 1    | 1316 233 015 | <b>109.175</b> | DAF | 023B | 24   |
| 1316 206 034 |          | RVI | 017B | 32   | 1316 232 006 | 190.392        | IVE | 011B | 1    | 1316 302 001 | <b>145.472</b> | MAN | 007A | 17   |
| 1316 206 034 |          | DAF | 022B | 30   | 1316 232 006 | 190.392        | IVE | 012B | 1    | 1316 302 001 | <b>145.472</b> | IVE | 012A | 17   |
| 1316 206 034 |          | DAF | 023B | 32   | 1316 232 006 | 190.392        | RVI | 016B | 1    | 1316 302 001 | <b>145.472</b> | RVI | 016A | 17   |
| 1316 206 035 |          | MAN | 007B | 30   | 1316 232 006 | 190.392        | DAF | 021B | 1    | 1316 302 001 | <b>145.472</b> | DAF | 022A | 17   |
| 1316 206 035 |          | MAN | 008B | 32   | 1316 232 006 | 190.392        | DAF | 022B | 1    | 1316 302 057 | <b>145.561</b> | MAN | 008A | 17   |
| 1316 206 035 |          | IVE | 012B | 30   | 1316 232 011 | <b>298.024</b> | MAN | 008B | 8    | 1316 302 057 | <b>145.561</b> | IVE | 013A | 17   |
| 1316 206 035 |          | IVE | 013B | 32   | 1316 232 011 | <b>298.024</b> | MAN | 008B | 8    | 1316 302 057 | <b>145.561</b> | RVI | 017A | 17   |
| 1316 206 035 |          | RVI | 016B | 30   | 1316 232 011 | <b>298.024</b> | IVE | 013B | 8    | 1316 302 057 | <b>145.561</b> | DAF | 023A | 17   |
| 1316 206 035 |          | RVI | 017B | 32   | 1316 232 011 | <b>298.024</b> | IVE | 013B | 8    | 1316 302 065 | <b>145.487</b> | MAN | 007A | 20   |
| 1316 206 035 |          | DAF | 022B | 30   | 1316 232 011 | <b>298.024</b> | RVI | 017B | 8    | 1316 302 065 | <b>145.487</b> | MAN | 008A | 17   |
| 1316 206 035 |          | DAF | 023B | 32   | 1316 232 011 | <b>298.024</b> | RVI | 017B | 8    | 1316 302 065 | <b>145.487</b> | IVE | 012A | 20   |
| 1316 206 037 |          | MAN | 007B | 29   | 1316 232 011 | <b>298.024</b> | DAF | 023B | 8    | 1316 302 065 | <b>145.487</b> | IVE | 013A | 17   |
| 1316 206 037 |          | MAN | 008B | 31   | 1316 232 011 | <b>298.024</b> | DAF | 023B | 8    | 1316 302 065 | <b>145.487</b> | RVI | 016A | 20   |
| 1316 206 037 |          | IVE | 012B | 29   | 1316 232 017 |                | MAN | 008B | 8    | 1316 302 065 | <b>145.487</b> | RVI | 017A | 17   |

All original equipment manufacturers' numbers, symbols, pictures, models and description used in this catalogue are for reference only, and it is not implied that any part listed is the product of these manufactures. Tutti i nostri particolari non sono originali ma con essi intercambiabili. I riferimenti originali, le figure, i modelli sono esposti a semplice titolo indicativo. La nostra produzione riporta il nostro marchio.

Date

03 / 2006

Table

Index

| Ref. ZF      | Ref. CEI       | OEM Tav. | Fig.    | Ref. ZF      | Ref. CEI       | OEM Tav.     | Fig.    | Ref. ZF      | Ref. CEI       | OEM Tav. | Fig.    |
|--------------|----------------|----------|---------|--------------|----------------|--------------|---------|--------------|----------------|----------|---------|
| 1316 302 065 | <b>145.487</b> | DAF      | 022A 20 | 1316 303 005 | <b>146.391</b> | MAN          | 008A 67 | 1316 303 034 | <b>105.103</b> | IVE      | 012A 68 |
| 1316 302 065 | <b>145.487</b> | DAF      | 023A 17 | 1316 303 005 | <b>146.391</b> | IVE          | 012A 67 | 1316 303 034 | <b>105.103</b> | IVE      | 013A 68 |
| 1316 302 066 | <b>145.483</b> | MAN      | 007A 20 | 1316 303 005 | <b>146.391</b> | IVE          | 013A 67 | 1316 303 034 | <b>105.103</b> | RVI      | 016A 68 |
| 1316 302 066 | <b>145.483</b> | MAN      | 008A 17 | 1316 303 005 | <b>146.391</b> | RVI          | 016A 67 | 1316 303 034 | <b>105.103</b> | RVI      | 017A 68 |
| 1316 302 066 | <b>145.483</b> | MAN      | 008A 17 | 1316 303 005 | <b>146.391</b> | RVI          | 017A 67 | 1316 303 034 | <b>105.103</b> | DAF      | 022A 68 |
| 1316 302 066 | <b>145.483</b> | IVE      | 012A 20 | 1316 303 005 | <b>146.391</b> | DAF          | 022A 67 | 1316 303 034 | <b>105.103</b> | DAF      | 023A 68 |
| 1316 302 066 | <b>145.483</b> | IVE      | 013A 17 | 1316 303 005 | <b>146.391</b> | DAF          | 023A 67 | 1316 303 038 | <i>105.123</i> | MAN      | 008A 68 |
| 1316 302 066 | <b>145.483</b> | IVE      | 013A 17 | 1316 303 006 | <b>146.409</b> | MAN          | 007A 67 | 1316 303 038 | <i>105.123</i> | RVI      | 017A 68 |
| 1316 302 066 | <b>145.483</b> | RVI      | 016A 20 | 1316 303 006 | <b>146.409</b> | MAN          | 008A 67 | 1316 303 038 | <i>105.123</i> | DAF      | 023A 68 |
| 1316 302 066 | <b>145.483</b> | RVI      | 017A 17 | 1316 303 006 | <b>146.409</b> | IVE          | 012A 67 | 1316 303 040 | <i>146.470</i> | MAN      | 008A 67 |
| 1316 302 066 | <b>145.483</b> | RVI      | 017A 17 | 1316 303 006 | <b>146.409</b> | IVE          | 013A 67 | 1316 303 040 | <i>146.470</i> | RVI      | 017A 67 |
| 1316 302 066 | <b>145.483</b> | DAF      | 022A 20 | 1316 303 006 | <b>146.409</b> | RVI          | 016A 67 | 1316 303 040 | <i>146.470</i> | DAF      | 023A 67 |
| 1316 302 066 | <b>145.483</b> | DAF      | 023A 17 | 1316 303 006 | <b>146.409</b> | RVI          | 017A 67 | 1316 303 052 | <i>105.096</i> | MAN      | 007A 68 |
| 1316 302 066 | <b>145.483</b> | DAF      | 023A 17 | 1316 303 006 | <b>146.409</b> | DAF          | 022A 67 | 1316 303 052 | <i>105.096</i> | IVE      | 012A 68 |
| 1316 302 067 | <b>145.554</b> | MAN      | 007A 20 | 1316 303 006 | <b>146.409</b> | DAF          | 023A 67 | 1316 303 052 | <i>105.096</i> | RVI      | 016A 68 |
| 1316 302 067 | <b>145.554</b> | MAN      | 008A 17 | 1316 303 007 | See            | 1316 303 052 |         | 1316 303 052 | <i>105.096</i> | DAF      | 022A 68 |
| 1316 302 067 | <b>145.554</b> | IVE      | 012A 20 | 1316 303 008 | See            | 1316 303 053 |         | 1316 303 053 | <i>105.110</i> | MAN      | 007A 68 |
| 1316 302 067 | <b>145.554</b> | IVE      | 013A 17 | 1316 303 030 | <b>146.486</b> | MAN          | 007A 65 | 1316 303 053 | <i>105.110</i> | IVE      | 012A 68 |
| 1316 302 067 | <b>145.554</b> | RVI      | 016A 20 | 1316 303 030 | <b>146.486</b> | MAN          | 008A 65 | 1316 303 053 | <i>105.110</i> | RVI      | 016A 68 |
| 1316 302 067 | <b>145.554</b> | RVI      | 017A 17 | 1316 303 030 | <b>146.486</b> | IVE          | 012A 65 | 1316 303 053 | <i>105.110</i> | DAF      | 022A 68 |
| 1316 302 067 | <b>145.554</b> | DAF      | 022A 20 | 1316 303 030 | <b>146.486</b> | IVE          | 013A 65 | 1316 303 055 | <b>146.398</b> | MAN      | 008A 65 |
| 1316 302 067 | <b>145.554</b> | DAF      | 023A 17 | 1316 303 030 | <b>146.486</b> | RVI          | 016A 65 | 1316 303 055 | <b>146.398</b> | IVE      | 013A 65 |
| 1316 303 001 | <b>146.388</b> | MAN      | 007A 65 | 1316 303 030 | <b>146.486</b> | RVI          | 017A 65 | 1316 303 055 | <b>146.398</b> | RVI      | 017A 65 |
| 1316 303 001 | <b>146.388</b> | IVE      | 012A 65 | 1316 303 030 | <b>146.486</b> | DAF          | 022A 65 | 1316 303 055 | <b>146.398</b> | DAF      | 023A 65 |
| 1316 303 001 | <b>146.388</b> | RVI      | 016A 65 | 1316 303 030 | <b>146.486</b> | DAF          | 023A 65 | 1316 303 056 | <b>146.485</b> | MAN      | 008A 65 |
| 1316 303 001 | <b>146.388</b> | DAF      | 022A 65 | 1316 303 031 | <b>146.407</b> | MAN          | 007A 65 | 1316 303 056 | <b>146.485</b> | IVE      | 013A 65 |
| 1316 303 002 | <b>146.428</b> | MAN      | 007A 65 | 1316 303 031 | <b>146.407</b> | MAN          | 008A 65 | 1316 303 056 | <b>146.485</b> | RVI      | 017A 65 |
| 1316 303 002 | <b>146.428</b> | IVE      | 012A 65 | 1316 303 031 | <b>146.407</b> | IVE          | 012A 65 | 1316 303 056 | <b>146.485</b> | DAF      | 023A 65 |
| 1316 303 002 | <b>146.428</b> | RVI      | 016A 65 | 1316 303 031 | <b>146.407</b> | IVE          | 013A 65 | 1316 303 058 | <b>146.400</b> | MAN      | 008A 67 |
| 1316 303 002 | <b>146.428</b> | DAF      | 022A 65 | 1316 303 031 | <b>146.407</b> | RVI          | 016A 65 | 1316 303 058 | <b>146.400</b> | IVE      | 013A 67 |
| 1316 303 003 | <b>146.390</b> | MAN      | 007A 66 | 1316 303 031 | <b>146.407</b> | RVI          | 017A 65 | 1316 303 058 | <b>146.400</b> | RVI      | 017A 67 |
| 1316 303 003 | <b>146.390</b> | IVE      | 012A 66 | 1316 303 031 | <b>146.407</b> | DAF          | 022A 65 | 1316 303 058 | <b>146.400</b> | DAF      | 023A 67 |
| 1316 303 003 | <b>146.390</b> | RVI      | 016A 66 | 1316 303 031 | <b>146.407</b> | DAF          | 023A 65 | 1316 303 063 | <b>146.399</b> | MAN      | 008A 66 |
| 1316 303 003 | <b>146.390</b> | DAF      | 022A 66 | 1316 303 033 | <b>105.100</b> | MAN          | 007A 68 | 1316 303 063 | <b>146.399</b> | IVE      | 013A 66 |
| 1316 303 004 | <b>146.408</b> | MAN      | 007A 66 | 1316 303 033 | <b>105.100</b> | MAN          | 008A 68 | 1316 303 063 | <b>146.399</b> | RVI      | 017A 66 |
| 1316 303 004 | <b>146.408</b> | MAN      | 008A 66 | 1316 303 033 | <b>105.100</b> | IVE          | 012A 68 | 1316 303 063 | <b>146.399</b> | DAF      | 023A 66 |
| 1316 303 004 | <b>146.408</b> | IVE      | 012A 66 | 1316 303 033 | <b>105.100</b> | IVE          | 013A 68 | 1316 303 064 | <b>146.469</b> | MAN      | 007A 65 |
| 1316 303 004 | <b>146.408</b> | IVE      | 013A 66 | 1316 303 033 | <b>105.100</b> | RVI          | 016A 68 | 1316 303 064 | <b>146.469</b> | MAN      | 008A 65 |
| 1316 303 004 | <b>146.408</b> | RVI      | 016A 66 | 1316 303 033 | <b>105.100</b> | RVI          | 017A 68 | 1316 303 064 | <b>146.469</b> | IVE      | 012A 65 |
| 1316 303 004 | <b>146.408</b> | RVI      | 017A 66 | 1316 303 033 | <b>105.100</b> | DAF          | 022A 68 | 1316 303 064 | <b>146.469</b> | IVE      | 013A 65 |
| 1316 303 004 | <b>146.408</b> | DAF      | 022A 66 | 1316 303 033 | <b>105.100</b> | DAF          | 023A 68 | 1316 303 064 | <b>146.469</b> | RVI      | 016A 65 |
| 1316 303 004 | <b>146.408</b> | DAF      | 023A 66 | 1316 303 034 | <b>105.103</b> | MAN          | 007A 68 | 1316 303 064 | <b>146.469</b> | RVI      | 017A 65 |
| 1316 303 005 | <b>146.391</b> | MAN      | 007A 67 | 1316 303 034 | <b>105.103</b> | MAN          | 008A 68 | 1316 303 064 | <b>146.469</b> | DAF      | 022A 65 |

Date

03 / 2006

Table

Index

ZF references index  
Indice riferimenti ZF

# ZF Index

| Ref. ZF      | Ref. CEI       | OEM | Tav. | Fig. | Ref. ZF      | Ref. CEI       | OEM | Tav. | Fig. | Ref. ZF      | Ref. CEI       | OEM          | Tav. | Fig. |
|--------------|----------------|-----|------|------|--------------|----------------|-----|------|------|--------------|----------------|--------------|------|------|
| 1316 303 064 | <b>146.469</b> | DAF | 023A | 65   | 1316 304 008 | <b>145.473</b> | DAF | 022A | 39   | 1316 304 066 | 145.555        | RVI          | 017A | 39   |
| 1316 303 065 | <b>146.426</b> | MAN | 007A | 66   | 1316 304 008 | <b>145.473</b> | DAF | 023A | 39   | 1316 304 066 | 145.555        | DAF          | 023A | 39   |
| 1316 303 065 | <b>146.426</b> | MAN | 008A | 66   | 1316 304 009 | <b>145.488</b> | MAN | 007A | 39   | 1316 304 078 | <b>154.202</b> | MAN          | 006A | 40   |
| 1316 303 065 | <b>146.426</b> | IVE | 012A | 66   | 1316 304 009 | <b>145.488</b> | MAN | 008A | 39   | 1316 304 078 | <b>154.202</b> | MAN          | 007A | 53   |
| 1316 303 065 | <b>146.426</b> | IVE | 013A | 66   | 1316 304 009 | <b>145.488</b> | IVE | 012A | 39   | 1316 304 078 | <b>154.202</b> | MAN          | 008A | 53   |
| 1316 303 065 | <b>146.426</b> | RVI | 016A | 66   | 1316 304 009 | <b>145.488</b> | IVE | 013A | 39   | 1316 304 078 | <b>154.202</b> | IVE          | 011A | 40   |
| 1316 303 065 | <b>146.426</b> | RVI | 017A | 66   | 1316 304 009 | <b>145.488</b> | RVI | 016A | 39   | 1316 304 078 | <b>154.202</b> | IVE          | 012A | 53   |
| 1316 303 065 | <b>146.426</b> | DAF | 022A | 66   | 1316 304 009 | <b>145.488</b> | RVI | 017A | 39   | 1316 304 078 | <b>154.202</b> | IVE          | 013A | 53   |
| 1316 303 065 | <b>146.426</b> | DAF | 023A | 66   | 1316 304 009 | <b>145.488</b> | DAF | 022A | 39   | 1316 304 078 | <b>154.202</b> | RVI          | 015A | 40   |
| 1316 304 002 | <b>145.474</b> | MAN | 007A | 42   | 1316 304 009 | <b>145.488</b> | DAF | 023A | 39   | 1316 304 078 | <b>154.202</b> | RVI          | 016A | 53   |
| 1316 304 002 | <b>145.474</b> | MAN | 008A | 42   | 1316 304 010 | <b>145.475</b> | MAN | 007A | 56   | 1316 304 078 | <b>154.202</b> | RVI          | 017A | 53   |
| 1316 304 002 | <b>145.474</b> | IVE | 012A | 42   | 1316 304 010 | <b>145.475</b> | MAN | 008A | 56   | 1316 304 078 | <b>154.202</b> | DAF          | 021A | 40   |
| 1316 304 002 | <b>145.474</b> | IVE | 013A | 42   | 1316 304 010 | <b>145.475</b> | IVE | 012A | 56   | 1316 304 078 | <b>154.202</b> | DAF          | 022A | 53   |
| 1316 304 002 | <b>145.474</b> | RVI | 016A | 42   | 1316 304 010 | <b>145.475</b> | IVE | 013A | 56   | 1316 304 078 | <b>154.202</b> | DAF          | 023A | 53   |
| 1316 304 002 | <b>145.474</b> | RVI | 017A | 42   | 1316 304 010 | <b>145.475</b> | RVI | 016A | 56   | 1316 304 079 | See            | 1316 304 132 |      |      |
| 1316 304 002 | <b>145.474</b> | DAF | 022A | 42   | 1316 304 010 | <b>145.475</b> | RVI | 017A | 56   | 1316 304 091 | See            | 1316 304 131 |      |      |
| 1316 304 002 | <b>145.474</b> | DAF | 023A | 42   | 1316 304 010 | <b>145.475</b> | DAF | 022A | 56   | 1316 304 093 |                | MAN          | 008A | 62   |
| 1316 304 003 | <b>145.515</b> | MAN | 007A | 42   | 1316 304 010 | <b>145.475</b> | DAF | 023A | 56   | 1316 304 093 |                | RVI          | 017A | 62   |
| 1316 304 003 | <b>145.515</b> | MAN | 008A | 42   | 1316 304 012 | <b>147.128</b> | MAN | 007A | 60   | 1316 304 093 |                | DAF          | 023A | 62   |
| 1316 304 003 | <b>145.515</b> | IVE | 012A | 42   | 1316 304 012 | <b>147.128</b> | MAN | 008A | 60   | 1316 304 094 | <b>145.484</b> | MAN          | 008A | 39   |
| 1316 304 003 | <b>145.515</b> | IVE | 013A | 42   | 1316 304 012 | <b>147.128</b> | IVE | 012A | 60   | 1316 304 094 | <b>145.484</b> | IVE          | 013A | 39   |
| 1316 304 003 | <b>145.515</b> | RVI | 016A | 42   | 1316 304 012 | <b>147.128</b> | IVE | 013A | 60   | 1316 304 094 | <b>145.484</b> | RVI          | 017A | 39   |
| 1316 304 003 | <b>145.515</b> | RVI | 017A | 42   | 1316 304 012 | <b>147.128</b> | RVI | 016A | 60   | 1316 304 094 | <b>145.484</b> | DAF          | 023A | 39   |
| 1316 304 003 | <b>145.515</b> | DAF | 022A | 42   | 1316 304 012 | <b>147.128</b> | RVI | 017A | 60   | 1316 304 103 | <b>146.401</b> | MAN          | 007A | 31   |
| 1316 304 003 | <b>145.515</b> | DAF | 023A | 42   | 1316 304 012 | <b>147.128</b> | DAF | 022A | 60   | 1316 304 103 | <b>146.401</b> | MAN          | 008A | 31   |
| 1316 304 006 | 145.730        | MAN | 007A | 31   | 1316 304 012 | <b>147.128</b> | DAF | 023A | 60   | 1316 304 103 | <b>146.401</b> | IVE          | 012A | 31   |
| 1316 304 006 | 145.730        | IVE | 012A | 31   | 1316 304 013 | <b>145.522</b> | MAN | 007A | 56   | 1316 304 103 | <b>146.401</b> | IVE          | 013A | 31   |
| 1316 304 006 | 145.730        | RVI | 016A | 31   | 1316 304 013 | <b>145.522</b> | MAN | 008A | 56   | 1316 304 103 | <b>146.401</b> | RVI          | 016A | 31   |
| 1316 304 006 | 145.730        | DAF | 022A | 31   | 1316 304 013 | <b>145.522</b> | IVE | 012A | 56   | 1316 304 103 | <b>146.401</b> | RVI          | 017A | 31   |
| 1316 304 007 | <b>146.410</b> | MAN | 007A | 31   | 1316 304 013 | <b>145.522</b> | IVE | 013A | 56   | 1316 304 103 | <b>146.401</b> | DAF          | 022A | 31   |
| 1316 304 007 | <b>146.410</b> | MAN | 008A | 31   | 1316 304 013 | <b>145.522</b> | RVI | 016A | 56   | 1316 304 103 | <b>146.401</b> | DAF          | 023A | 31   |
| 1316 304 007 | <b>146.410</b> | IVE | 012A | 31   | 1316 304 013 | <b>145.522</b> | RVI | 017A | 56   | 1316 304 130 | <b>103.128</b> | MB           | 003A | 34   |
| 1316 304 007 | <b>146.410</b> | IVE | 013A | 31   | 1316 304 013 | <b>145.522</b> | DAF | 022A | 56   | 1316 304 130 | <b>103.128</b> | MAN          | 006A | 34   |
| 1316 304 007 | <b>146.410</b> | RVI | 016A | 31   | 1316 304 013 | <b>145.522</b> | DAF | 023A | 56   | 1316 304 130 | <b>103.128</b> | MAN          | 007A | 41   |
| 1316 304 007 | <b>146.410</b> | RVI | 017A | 31   | 1316 304 015 | <b>147.144</b> | MAN | 007A | 60   | 1316 304 130 | <b>103.128</b> | IVE          | 011A | 34   |
| 1316 304 007 | <b>146.410</b> | DAF | 022A | 31   | 1316 304 015 | <b>147.144</b> | MAN | 008A | 60   | 1316 304 130 | <b>103.128</b> | IVE          | 012A | 41   |
| 1316 304 007 | <b>146.410</b> | DAF | 023A | 31   | 1316 304 015 | <b>147.144</b> | IVE | 012A | 60   | 1316 304 130 | <b>103.128</b> | RVI          | 016A | 41   |
| 1316 304 008 | <b>145.473</b> | MAN | 007A | 39   | 1316 304 015 | <b>147.144</b> | IVE | 013A | 60   | 1316 304 130 | <b>103.128</b> | DAF          | 021A | 34   |
| 1316 304 008 | <b>145.473</b> | MAN | 008A | 39   | 1316 304 015 | <b>147.144</b> | RVI | 016A | 60   | 1316 304 130 | <b>103.128</b> | DAF          | 022A | 41   |
| 1316 304 008 | <b>145.473</b> | IVE | 012A | 39   | 1316 304 015 | <b>147.144</b> | RVI | 017A | 60   | 1316 304 131 | 103.143        | MAN          | 008A | 41   |
| 1316 304 008 | <b>145.473</b> | IVE | 013A | 39   | 1316 304 015 | <b>147.144</b> | DAF | 022A | 60   | 1316 304 131 | 103.143        | RVI          | 017A | 41   |
| 1316 304 008 | <b>145.473</b> | RVI | 016A | 39   | 1316 304 015 | <b>147.144</b> | DAF | 023A | 60   | 1316 304 131 | 103.143        | DAF          | 023A | 41   |
| 1316 304 008 | <b>145.473</b> | RVI | 017A | 39   | 1316 304 066 | 145.555        | MAN | 008A | 39   | 1316 304 132 | <b>103.130</b> | MAN          | 008A | 41   |

All original equipment manufacturers' numbers, symbols, pictures, models and description used in this catalogue are for reference only, and it is not implied that any part listed is the product of these manufacturers. Tutti i nostri particolari non sono originali ma con essi intercambiabili. I riferimenti originali, le figure, i modelli sono esposti a semplice titolo indicativo. La nostra produzione riporta il nostro marchio.

Date

03 / 2006

Table

Index

| Ref. ZF      | Ref. CEI       | OEM Tav.     | Fig.    | Ref. ZF      | Ref. CEI       | OEM Tav. | Fig.    | Ref. ZF      | Ref. CEI       | OEM Tav. | Fig.    |
|--------------|----------------|--------------|---------|--------------|----------------|----------|---------|--------------|----------------|----------|---------|
| 1316 304 132 | <b>103.130</b> | VE           | 013A 41 | 1316 304 150 | <b>119.218</b> | DAF      | 023A 51 | 1316 304 163 | <b>157.228</b> | VE       | 012A 52 |
| 1316 304 132 | <b>103.130</b> | RVI          | 017A 41 | 1316 304 156 | <b>109.386</b> | MAN      | 006A 37 | 1316 304 163 | <b>157.228</b> | VE       | 013A 52 |
| 1316 304 132 | <b>103.130</b> | DAF          | 023A 41 | 1316 304 156 | <b>109.386</b> | MAN      | 007A 50 | 1316 304 163 | <b>157.228</b> | RVI      | 015A 39 |
| 1316 304 133 | <b>117.311</b> | MB           | 003A 52 | 1316 304 156 | <b>109.386</b> | MAN      | 008A 50 | 1316 304 163 | <b>157.228</b> | RVI      | 016A 52 |
| 1316 304 133 | <b>117.311</b> | MAN          | 006A 52 | 1316 304 156 | <b>109.386</b> | VE       | 011A 37 | 1316 304 163 | <b>157.228</b> | RVI      | 017A 52 |
| 1316 304 133 | <b>117.311</b> | MAN          | 007A 58 | 1316 304 156 | <b>109.386</b> | VE       | 012A 50 | 1316 304 163 | <b>157.228</b> | DAF      | 021A 39 |
| 1316 304 133 | <b>117.311</b> | MAN          | 008A 58 | 1316 304 156 | <b>109.386</b> | VE       | 013A 50 | 1316 304 163 | <b>157.228</b> | DAF      | 022A 52 |
| 1316 304 133 | <b>117.311</b> | VE           | 011A 52 | 1316 304 156 | <b>109.386</b> | RVI      | 015A 37 | 1316 304 163 | <b>157.228</b> | DAF      | 023A 52 |
| 1316 304 133 | <b>117.311</b> | VE           | 012A 58 | 1316 304 156 | <b>109.386</b> | RVI      | 016A 50 | 1316 305 001 | <i>147.127</i> | MAN      | 007A 71 |
| 1316 304 133 | <b>117.311</b> | VE           | 013A 58 | 1316 304 156 | <b>109.386</b> | RVI      | 017A 50 | 1316 305 001 | <i>147.127</i> | MAN      | 008A 71 |
| 1316 304 133 | <b>117.311</b> | RVI          | 016A 58 | 1316 304 156 | <b>109.386</b> | DAF      | 021A 37 | 1316 305 001 | <i>147.127</i> | VE       | 012A 71 |
| 1316 304 133 | <b>117.311</b> | RVI          | 017A 58 | 1316 304 156 | <b>109.386</b> | DAF      | 022A 50 | 1316 305 001 | <i>147.127</i> | VE       | 013A 71 |
| 1316 304 133 | <b>117.311</b> | DAF          | 021A 52 | 1316 304 156 | <b>109.386</b> | DAF      | 023A 50 | 1316 305 001 | <i>147.127</i> | RVI      | 016A 71 |
| 1316 304 133 | <b>117.311</b> | DAF          | 022A 58 | 1316 304 159 | <b>109.385</b> | MB       | 003A 27 | 1316 305 001 | <i>147.127</i> | RVI      | 017A 71 |
| 1316 304 133 | <b>117.311</b> | DAF          | 023A 58 | 1316 304 159 | <b>109.385</b> | MAN      | 006A 27 | 1316 305 001 | <i>147.127</i> | DAF      | 022A 71 |
| 1316 304 145 | See            | 1316 304 159 |         | 1316 304 159 | <b>109.385</b> | MAN      | 007A 33 | 1316 305 001 | <i>147.127</i> | DAF      | 023A 71 |
| 1316 304 146 | See            | 1316 304 156 |         | 1316 304 159 | <b>109.385</b> | MAN      | 008A 33 | 1316 305 002 | <i>147.143</i> | MAN      | 007A 71 |
| 1316 304 147 | See            | 1316 304 162 |         | 1316 304 159 | <b>109.385</b> | VE       | 011A 27 | 1316 305 002 | <i>147.143</i> | MAN      | 008A 71 |
| 1316 304 148 | See            | 1316 304 163 |         | 1316 304 159 | <b>109.385</b> | VE       | 012A 33 | 1316 305 002 | <i>147.143</i> | VE       | 012A 71 |
| 1316 304 149 | <b>119.217</b> | MB           | 003A 28 | 1316 304 159 | <b>109.385</b> | VE       | 013A 33 | 1316 305 002 | <i>147.143</i> | VE       | 013A 71 |
| 1316 304 149 | <b>119.217</b> | MAN          | 006A 28 | 1316 304 159 | <b>109.385</b> | RVI      | 015A 27 | 1316 305 002 | <i>147.143</i> | RVI      | 016A 71 |
| 1316 304 149 | <b>119.217</b> | MAN          | 007A 34 | 1316 304 159 | <b>109.385</b> | RVI      | 016A 33 | 1316 305 002 | <i>147.143</i> | RVI      | 017A 71 |
| 1316 304 149 | <b>119.217</b> | MAN          | 008A 34 | 1316 304 159 | <b>109.385</b> | RVI      | 017A 33 | 1316 305 002 | <i>147.143</i> | DAF      | 022A 71 |
| 1316 304 149 | <b>119.217</b> | VE           | 011A 28 | 1316 304 159 | <b>109.385</b> | DAF      | 021A 27 | 1316 305 002 | <i>147.143</i> | DAF      | 023A 71 |
| 1316 304 149 | <b>119.217</b> | VE           | 012A 34 | 1316 304 159 | <b>109.385</b> | DAF      | 022A 33 | 1316 306 015 | <i>141.168</i> | MAN      | 007B 28 |
| 1316 304 149 | <b>119.217</b> | VE           | 013A 34 | 1316 304 159 | <b>109.385</b> | DAF      | 023A 33 | 1316 306 015 | <i>141.168</i> | MAN      | 007B 32 |
| 1316 304 149 | <b>119.217</b> | RVI          | 015A 28 | 1316 304 162 | <b>157.227</b> | MB       | 003A 29 | 1316 306 015 | <i>141.168</i> | MAN      | 008B 30 |
| 1316 304 149 | <b>119.217</b> | RVI          | 016A 34 | 1316 304 162 | <b>157.227</b> | MAN      | 006A 29 | 1316 306 015 | <i>141.168</i> | MAN      | 008B 34 |
| 1316 304 149 | <b>119.217</b> | RVI          | 017A 34 | 1316 304 162 | <b>157.227</b> | MAN      | 007A 35 | 1316 306 015 | <i>141.168</i> | VE       | 012B 28 |
| 1316 304 149 | <b>119.217</b> | DAF          | 021A 28 | 1316 304 162 | <b>157.227</b> | MAN      | 008A 35 | 1316 306 015 | <i>141.168</i> | VE       | 012B 32 |
| 1316 304 149 | <b>119.217</b> | DAF          | 022A 34 | 1316 304 162 | <b>157.227</b> | VE       | 011A 29 | 1316 306 015 | <i>141.168</i> | VE       | 013B 30 |
| 1316 304 149 | <b>119.217</b> | DAF          | 023A 34 | 1316 304 162 | <b>157.227</b> | VE       | 012A 35 | 1316 306 015 | <i>141.168</i> | VE       | 013B 34 |
| 1316 304 150 | <b>119.218</b> | MAN          | 006A 38 | 1316 304 162 | <b>157.227</b> | VE       | 013A 35 | 1316 306 015 | <i>141.168</i> | RVI      | 016B 28 |
| 1316 304 150 | <b>119.218</b> | MAN          | 007A 51 | 1316 304 162 | <b>157.227</b> | RVI      | 015A 29 | 1316 306 015 | <i>141.168</i> | RVI      | 016B 32 |
| 1316 304 150 | <b>119.218</b> | MAN          | 008A 51 | 1316 304 162 | <b>157.227</b> | RVI      | 016A 35 | 1316 306 015 | <i>141.168</i> | RVI      | 017B 30 |
| 1316 304 150 | <b>119.218</b> | VE           | 011A 38 | 1316 304 162 | <b>157.227</b> | RVI      | 017A 35 | 1316 306 015 | <i>141.168</i> | RVI      | 017B 34 |
| 1316 304 150 | <b>119.218</b> | VE           | 012A 51 | 1316 304 162 | <b>157.227</b> | DAF      | 021A 29 | 1316 306 015 | <i>141.168</i> | DAF      | 022B 28 |
| 1316 304 150 | <b>119.218</b> | VE           | 013A 51 | 1316 304 162 | <b>157.227</b> | DAF      | 022A 35 | 1316 306 015 | <i>141.168</i> | DAF      | 022B 32 |
| 1316 304 150 | <b>119.218</b> | RVI          | 015A 38 | 1316 304 162 | <b>157.227</b> | DAF      | 023A 35 | 1316 306 015 | <i>141.168</i> | DAF      | 023B 30 |
| 1316 304 150 | <b>119.218</b> | RVI          | 016A 51 | 1316 304 163 | <b>157.228</b> | MAN      | 006A 39 | 1316 306 015 | <i>141.168</i> | DAF      | 023B 34 |
| 1316 304 150 | <b>119.218</b> | RVI          | 017A 51 | 1316 304 163 | <b>157.228</b> | MAN      | 007A 52 | 1316 312 008 |                | MAN      | 007B 34 |
| 1316 304 150 | <b>119.218</b> | DAF          | 021A 38 | 1316 304 163 | <b>157.228</b> | MAN      | 008A 52 | 1316 312 008 |                | MAN      | 008B 36 |
| 1316 304 150 | <b>119.218</b> | DAF          | 022A 51 | 1316 304 163 | <b>157.228</b> | VE       | 011A 39 | 1316 312 008 |                | VE       | 012B 34 |

Date

03 / 2006

Table

Index

ZF references index  
Indice riferimenti ZF

| Ref. ZF      | Ref. CEI | OEM          | Tav. | Fig. | Ref. ZF      | Ref. CEI | OEM          | Tav. | Fig. | Ref. ZF      | Ref. CEI | OEM | Tav. | Fig. |
|--------------|----------|--------------|------|------|--------------|----------|--------------|------|------|--------------|----------|-----|------|------|
| 1316 312 008 |          | IVE          | 013B | 36   | 1316 332 103 | 150.136  | MAN          | 008B | 10   | 4130 309 063 |          | DAF | 022A | 14   |
| 1316 312 008 |          | RVI          | 016B | 34   | 1316 332 103 | 150.136  | IVE          | 013B | 10   | 4130 309 063 |          | DAF | 023A | 15   |
| 1316 312 008 |          | RVI          | 017B | 36   | 1316 332 103 | 150.136  | RVI          | 017B | 10   |              |          |     |      |      |
| 1316 312 008 |          | DAF          | 022B | 34   | 1316 332 103 | 150.136  | DAF          | 023B | 10   |              |          |     |      |      |
| 1316 312 008 |          | DAF          | 023B | 36   | 1316 333 010 | See      | 1316 333 026 |      |      |              |          |     |      |      |
| 1316 312 015 |          | MAN          | 007B | 38   | 1316 333 014 |          | MAN          | 008B | 13   |              |          |     |      |      |
| 1316 312 015 |          | MAN          | 008B | 40   | 1316 333 014 |          | IVE          | 013B | 13   |              |          |     |      |      |
| 1316 312 015 |          | IVE          | 012B | 38   | 1316 333 014 |          | RVI          | 017B | 13   |              |          |     |      |      |
| 1316 312 015 |          | IVE          | 013B | 40   | 1316 333 014 |          | DAF          | 023B | 13   |              |          |     |      |      |
| 1316 312 015 |          | RVI          | 016B | 38   | 1316 333 026 |          | MAN          | 008B | 16   |              |          |     |      |      |
| 1316 312 015 |          | RVI          | 017B | 40   | 1316 333 026 |          | RVI          | 017B | 16   |              |          |     |      |      |
| 1316 312 015 |          | DAF          | 022B | 38   | 1316 333 026 |          | DAF          | 023B | 16   |              |          |     |      |      |
| 1316 312 015 |          | DAF          | 023B | 40   | 1316 334 010 |          | MAN          | 007B | 41   |              |          |     |      |      |
| 1316 312 016 |          | MAN          | 007B | 34   | 1316 334 010 |          | MAN          | 008B | 43   |              |          |     |      |      |
| 1316 312 016 |          | MAN          | 008B | 36   | 1316 334 010 |          | IVE          | 012B | 41   |              |          |     |      |      |
| 1316 312 016 |          | IVE          | 012B | 34   | 1316 334 010 |          | IVE          | 013B | 43   |              |          |     |      |      |
| 1316 312 016 |          | IVE          | 013B | 36   | 1316 334 010 |          | RVI          | 016B | 41   |              |          |     |      |      |
| 1316 312 016 |          | RVI          | 016B | 34   | 1316 334 010 |          | RVI          | 017B | 43   |              |          |     |      |      |
| 1316 312 016 |          | RVI          | 017B | 36   | 1316 334 010 |          | DAF          | 022B | 41   |              |          |     |      |      |
| 1316 312 016 |          | DAF          | 022B | 34   | 1316 334 010 |          | DAF          | 023B | 43   |              |          |     |      |      |
| 1316 312 016 |          | DAF          | 023B | 36   | 1316 334 011 |          | MAN          | 008B | 43   |              |          |     |      |      |
| 1316 332 038 | See      | 1316 332 096 |      |      | 1316 334 011 |          | RVI          | 017B | 43   |              |          |     |      |      |
| 1316 332 042 |          | MAN          | 008B | 9    | 1316 334 011 |          | DAF          | 023B | 43   |              |          |     |      |      |
| 1316 332 042 |          | RVI          | 017B | 9    | 1316 338 002 |          | MAN          | 007B | 27   |              |          |     |      |      |
| 1316 332 042 |          | DAF          | 023B | 9    | 1316 338 002 |          | MAN          | 008B | 29   |              |          |     |      |      |
| 1316 332 044 |          | MAN          | 008B | 12   | 1316 338 002 |          | IVE          | 012B | 27   |              |          |     |      |      |
| 1316 332 044 |          | RVI          | 017B | 12   | 1316 338 002 |          | IVE          | 013B | 29   |              |          |     |      |      |
| 1316 332 044 |          | DAF          | 023B | 12   | 1316 338 002 |          | RVI          | 016B | 27   |              |          |     |      |      |
| 1316 332 070 | See      | 1316 332 097 |      |      | 1316 338 002 |          | RVI          | 017B | 29   |              |          |     |      |      |
| 1316 332 073 |          | MAN          | 008B | 10   | 1316 338 002 |          | DAF          | 022B | 27   |              |          |     |      |      |
| 1316 332 073 |          | RVI          | 017B | 10   | 1316 338 002 |          | DAF          | 023B | 29   |              |          |     |      |      |
| 1316 332 073 |          | DAF          | 023B | 10   | 1316 338 003 |          | MAN          | 007B | 27   |              |          |     |      |      |
| 1316 332 096 | 107.204  | MAN          | 008B | 2    | 1316 338 003 |          | IVE          | 012B | 27   |              |          |     |      |      |
| 1316 332 096 | 107.204  | MAN          | 008B | 2    | 1316 338 003 |          | RVI          | 016B | 27   |              |          |     |      |      |
| 1316 332 096 | 107.204  | IVE          | 013B | 2    | 1316 338 003 |          | DAF          | 022B | 27   |              |          |     |      |      |
| 1316 332 096 | 107.204  | IVE          | 013B | 2    | 3081 303 063 | 187.588  | MB           | 001A | 24   |              |          |     |      |      |
| 1316 332 096 | 107.204  | RVI          | 017B | 2    | 3081 303 063 | 187.588  | MAN          | 004A | 24   |              |          |     |      |      |
| 1316 332 096 | 107.204  | RVI          | 017B | 2    | 4130 309 063 |          | MAN          | 007A | 14   |              |          |     |      |      |
| 1316 332 096 | 107.204  | DAF          | 023B | 2    | 4130 309 063 |          | MAN          | 008A | 15   |              |          |     |      |      |
| 1316 332 096 | 107.204  | DAF          | 023B | 2    | 4130 309 063 |          | IVE          | 012A | 14   |              |          |     |      |      |
| 1316 332 097 |          | MAN          | 008B | 2    | 4130 309 063 |          | IVE          | 013A | 15   |              |          |     |      |      |
| 1316 332 097 |          | RVI          | 017B | 2    | 4130 309 063 |          | RVI          | 016A | 14   |              |          |     |      |      |
| 1316 332 097 |          | DAF          | 023B | 2    | 4130 309 063 |          | RVI          | 017A | 15   |              |          |     |      |      |

Date

03 / 2006

Table

Index

| Ref. CEI | Ref. ZF      | OEM | Tav. | Fig. | Ref. CEI | Ref. ZF      | OEM | Tav. | Fig. | Ref. CEI | Ref. ZF      | OEM | Tav. | Fig. |
|----------|--------------|-----|------|------|----------|--------------|-----|------|------|----------|--------------|-----|------|------|
| 102.221  | 1295 202 028 | MB  | 002A | 11   | 102.254  | 1295 202 039 | MAN | 004A | 15   | 103.132  | 1297 304 181 | VOL | 025A | 39   |
| 102.222  | 1296 202 001 | MB  | 002A | 11   | 102.254  | 1295 202 039 | MAN | 005A | 11   | 103.134  | 1297 304 179 | MB  | 001A | 31   |
| 102.223  | 1297 202 053 | MB  | 001A | 15   | 103.075  | 1295 304 245 | MB  | 002A | 37   | 103.134  | 1297 304 179 | MAN | 004A | 31   |
| 102.223  | 1297 202 053 | MB  | 002A | 11   | 103.075  | 1295 304 245 | MAN | 005A | 37   | 103.134  | 1297 304 179 | DAF | 018A | 31   |
| 102.229  | 1296 202 006 | DAF | 019A | 11   | 103.075  | 1295 304 245 | IVE | 009A | 37   | 103.135  | 1315 304 130 | MAN | 006A | 33   |
| 102.229  | 1296 202 006 | DAF | 020A | 11   | 103.075  | 1295 304 245 | RVI | 014A | 37   | 103.135  | 1315 304 130 | MAN | 007A | 41   |
| 102.230  | 1295 202 004 | MB  | 001A | 15   | 103.075  | 1295 304 245 | DAF | 019A | 37   | 103.135  | 1315 304 130 | IVE | 011A | 33   |
| 102.230  | 1295 202 004 | MB  | 002A | 11   | 103.075  | 1295 304 245 | DAF | 020A | 39   | 103.135  | 1315 304 130 | IVE | 012A | 41   |
| 102.230  | 1295 202 004 | MAN | 005A | 11   | 103.075  | 1295 304 245 | VOL | 024A | 37   | 103.135  | 1315 304 130 | RVI | 015A | 33   |
| 102.230  | 1295 202 004 | IVE | 009A | 11   | 103.098  | 1297 304 193 | MB  | 002A | 37   | 103.135  | 1315 304 130 | RVI | 016A | 41   |
| 102.230  | 1295 202 004 | DAF | 019A | 11   | 103.098  | 1297 304 193 | MAN | 005A | 37   | 103.135  | 1315 304 130 | DAF | 021A | 33   |
| 102.232  | 1295 202 007 | MAN | 004A | 15   | 103.098  | 1297 304 193 | IVE | 009A | 37   | 103.135  | 1315 304 130 | DAF | 022A | 41   |
| 102.232  | 1295 202 007 | MAN | 005A | 11   | 103.098  | 1297 304 193 | IVE | 010A | 39   | 103.138  | 1315 304 131 | MAN | 008A | 41   |
| 102.233  | 1297 202 030 | MB  | 002A | 11   | 103.098  | 1297 304 193 | DAF | 019A | 37   | 103.138  | 1315 304 131 | IVE | 013A | 41   |
| 102.234  | 1313 202 013 | MAN | 006A | 11   | 103.098  | 1297 304 193 | DAF | 020A | 39   | 103.138  | 1315 304 131 | RVI | 017A | 41   |
| 102.234  | 1313 202 013 | DAF | 021A | 11   | 103.098  | 1297 304 193 | VOL | 024A | 37   | 103.138  | 1315 304 131 | DAF | 023A | 41   |
| 102.235  | 1297 202 011 | MAN | 004A | 15   | 103.098  | 1297 304 193 | VOL | 025A | 39   | 103.139  | 1297 304 264 | MB  | 001A | 31   |
| 102.235  | 1297 202 011 | MAN | 005A | 11   | 103.127  | 1315 304 029 | MAN | 007A | 41   | 103.139  | 1297 304 264 | MAN | 004A | 31   |
| 102.236  | 1297 202 009 | IVE | 009A | 11   | 103.127  | 1315 304 029 | IVE | 012A | 41   | 103.139  | 1297 304 264 | DAF | 018A | 31   |
| 102.236  | 1297 202 009 | IVE | 010A | 11   | 103.127  | 1315 304 029 | RVI | 016A | 41   | 103.140  | 1295 304 250 | MB  | 002A | 37   |
| 102.237  | 1297 202 044 | MB  | 002A | 19   | 103.127  | 1315 304 029 | DAF | 022A | 41   | 103.140  | 1295 304 250 | MAN | 005A | 37   |
| 102.237  | 1297 202 044 | MAN | 005A | 19   | 103.128  | 1316 304 130 | MB  | 003A | 34   | 103.140  | 1295 304 250 | IVE | 009A | 37   |
| 102.237  | 1297 202 044 | IVE | 009A | 19   | 103.128  | 1316 304 130 | MAN | 006A | 34   | 103.140  | 1295 304 250 | RVI | 014A | 37   |
| 102.237  | 1297 202 044 | IVE | 010A | 19   | 103.128  | 1316 304 130 | MAN | 007A | 41   | 103.140  | 1295 304 250 | DAF | 019A | 37   |
| 102.238  | 1312 202 038 | IVE | 011A | 11   | 103.128  | 1316 304 130 | IVE | 011A | 34   | 103.140  | 1295 304 250 | DAF | 020A | 39   |
| 102.241  | 1313 202 015 | RVI | 015A | 11   | 103.128  | 1316 304 130 | IVE | 012A | 41   | 103.140  | 1295 304 250 | VOL | 024A | 37   |
| 102.241  | 1313 202 015 | DAF | 021A | 11   | 103.128  | 1316 304 130 | RVI | 016A | 41   | 103.141  | 1295 304 243 | MB  | 001A | 31   |
| 102.242  | 1313 202 014 | IVE | 011A | 11   | 103.128  | 1316 304 130 | DAF | 021A | 34   | 103.141  | 1295 304 243 | MAN | 004A | 31   |
| 102.243  | 1312 202 039 | MAN | 006A | 11   | 103.128  | 1316 304 130 | DAF | 022A | 41   | 103.142  | 1295 304 304 | MB  | 001A | 31   |
| 102.244  | 1312 202 037 | MB  | 003A | 11   | 103.130  | 1316 304 132 | MAN | 008A | 41   | 103.142  | 1295 304 304 | MAN | 004A | 31   |
| 102.244  | 1312 202 037 | MAN | 006A | 11   | 103.130  | 1316 304 132 | IVE | 013A | 41   | 103.143  | 1316 304 131 | MAN | 008A | 41   |
| 102.245  | 1297 202 004 | DAF | 018A | 15   | 103.130  | 1316 304 132 | RVI | 017A | 41   | 103.143  | 1316 304 131 | RVI | 017A | 41   |
| 102.245  | 1297 202 004 | DAF | 019A | 11   | 103.130  | 1316 304 132 | DAF | 023A | 41   | 103.143  | 1316 304 131 | DAF | 023A | 41   |
| 102.246  | 1297 202 052 | DAF | 019A | 11   | 103.131  | 1296 304 119 | MB  | 002A | 37   | 105.060  | 1295 303 066 | MB  | 002A | 61   |
| 102.246  | 1297 202 052 | DAF | 020A | 11   | 103.131  | 1296 304 119 | DAF | 019A | 37   | 105.060  | 1295 303 066 | MAN | 005A | 61   |
| 102.247  | 1297 202 008 | MAN | 004A | 15   | 103.131  | 1296 304 119 | DAF | 020A | 39   | 105.060  | 1295 303 066 | IVE | 009A | 61   |
| 102.247  | 1297 202 008 | MAN | 005A | 11   | 103.132  | 1297 304 181 | MB  | 002A | 37   | 105.060  | 1295 303 066 | RVI | 014A | 61   |
| 102.248  | 1296 202 004 | MB  | 002A | 11   | 103.132  | 1297 304 181 | MAN | 005A | 37   | 105.060  | 1295 303 066 | DAF | 019A | 61   |
| 102.250  | 1295 202 005 | DAF | 019A | 11   | 103.132  | 1297 304 181 | IVE | 009A | 37   | 105.060  | 1295 303 066 | DAF | 020A | 64   |
| 102.250  | 1295 202 005 | DAF | 020A | 11   | 103.132  | 1297 304 181 | IVE | 010A | 39   | 105.060  | 1295 303 066 | VOL | 024A | 61   |
| 102.251  | 1295 202 008 | VOL | 024A | 11   | 103.132  | 1297 304 181 | DAF | 019A | 37   | 105.091  | 1297 303 047 | MB  | 001A | 53   |
| 102.252  | 1295 202 011 | DAF | 019A | 11   | 103.132  | 1297 304 181 | DAF | 020A | 39   | 105.091  | 1297 303 047 | MAN | 004A | 53   |
| 102.253  | 1295 202 012 | IVE | 009A | 11   | 103.132  | 1297 304 181 | VOL | 024A | 37   | 105.091  | 1297 303 047 | DAF | 018A | 53   |

All original equipment manufacturers numbers, symbols, pictures, models and description used in this catalogue are for reference only, and it is not implied that any part listed is the product of these manufactures.  
Tutti i nostri particolari non sono originali ma con essi intercambiabili. I riferimenti originali, le figure, i modelli sono esposti a semplice titolo indicativo. La nostra produzione riporta il nostro marchio.



# CEI Index

| Ref. CEI | Ref. ZF      | OEM | Tav. Fig. | Ref. CEI | Ref. ZF      | OEM | Tav. Fig. | Ref. CEI | Ref. ZF      | OEM | Tav. Fig. |
|----------|--------------|-----|-----------|----------|--------------|-----|-----------|----------|--------------|-----|-----------|
| 105.092  | 1297 303 075 | MB  | 002A 61   | 105.105  | 1295 303 045 | MAN | 005A 61   | 105.119  | 1295 303 067 | DAF | 019A 61   |
| 105.092  | 1297 303 075 | MAN | 005A 61   | 105.105  | 1295 303 045 | DAF | 019A 61   | 105.119  | 1295 303 067 | DAF | 020A 64   |
| 105.092  | 1297 303 075 | IVE | 009A 61   | 105.106  | 1313 303 010 | MAN | 006A 61   | 105.119  | 1295 303 067 | VOL | 024A 61   |
| 105.092  | 1297 303 075 | IVE | 010A 64   | 105.106  | 1313 303 010 | IVE | 011A 61   | 105.120  | 1295 303 056 | MB  | 001A 53   |
| 105.092  | 1297 303 075 | DAF | 019A 61   | 105.106  | 1313 303 010 | RVI | 015A 61   | 105.120  | 1295 303 056 | MAN | 004A 53   |
| 105.092  | 1297 303 075 | DAF | 020A 64   | 105.106  | 1313 303 010 | DAF | 021A 61   | 105.121  | 1295 303 042 | MAN | 004A 53   |
| 105.092  | 1297 303 075 | VOL | 024A 61   | 105.107  | 1312 303 009 | MB  | 003A 61   | 105.122  | 1295 303 055 | MB  | 001A 53   |
| 105.092  | 1297 303 075 | VOL | 025A 64   | 105.107  | 1312 303 009 | MAN | 006A 61   | 105.122  | 1295 303 055 | MAN | 004A 53   |
| 105.093  | 1297 303 140 | MB  | 002A 61   | 105.107  | 1312 303 009 | IVE | 011A 61   | 105.123  | 1316 303 038 | MAN | 008A 68   |
| 105.093  | 1297 303 140 | MAN | 005A 61   | 105.107  | 1312 303 009 | DAF | 021A 61   | 105.123  | 1316 303 038 | RVI | 017A 68   |
| 105.093  | 1297 303 140 | IVE | 009A 61   | 105.108  | 1312 303 008 | MB  | 003A 61   | 105.123  | 1316 303 038 | DAF | 023A 68   |
| 105.093  | 1297 303 140 | IVE | 010A 64   | 105.108  | 1312 303 008 | MAN | 006A 61   | 105.124  | 1315 303 042 | MAN | 007A 68   |
| 105.093  | 1297 303 140 | DAF | 019A 61   | 105.108  | 1312 303 008 | IVE | 011A 61   | 105.124  | 1315 303 042 | MAN | 008A 68   |
| 105.093  | 1297 303 140 | DAF | 020A 64   | 105.108  | 1312 303 008 | DAF | 021A 61   | 105.124  | 1315 303 042 | IVE | 012A 68   |
| 105.093  | 1297 303 140 | VOL | 024A 61   | 105.109  | 1315 303 041 | MAN | 007A 68   | 105.124  | 1315 303 042 | IVE | 013A 68   |
| 105.093  | 1297 303 140 | VOL | 025A 64   | 105.109  | 1315 303 041 | MAN | 008A 68   | 105.124  | 1315 303 042 | RVI | 016A 68   |
| 105.095  | 1315 303 049 | MAN | 007A 68   | 105.109  | 1315 303 041 | IVE | 012A 68   | 105.124  | 1315 303 042 | RVI | 017A 68   |
| 105.095  | 1315 303 049 | IVE | 012A 68   | 105.109  | 1315 303 041 | IVE | 013A 68   | 105.124  | 1315 303 042 | DAF | 022A 68   |
| 105.095  | 1315 303 049 | RVI | 016A 68   | 105.109  | 1315 303 041 | RVI | 016A 68   | 105.124  | 1315 303 042 | DAF | 023A 68   |
| 105.095  | 1315 303 049 | DAF | 022A 68   | 105.109  | 1315 303 041 | RVI | 017A 68   | 107.089  | 1269 332 036 | MB  | 001B 2    |
| 105.096  | 1316 303 052 | MAN | 007A 68   | 105.109  | 1315 303 041 | DAF | 022A 68   | 107.089  | 1269 332 036 | MB  | 002B 2    |
| 105.096  | 1316 303 052 | IVE | 012A 68   | 105.109  | 1315 303 041 | DAF | 023A 68   | 107.089  | 1269 332 036 | MB  | 002B 2    |
| 105.096  | 1316 303 052 | RVI | 016A 68   | 105.110  | 1316 303 053 | MAN | 007A 68   | 107.089  | 1269 332 036 | MAN | 004B 2    |
| 105.096  | 1316 303 052 | DAF | 022A 68   | 105.110  | 1316 303 053 | IVE | 012A 68   | 107.089  | 1269 332 036 | MAN | 005B 2    |
| 105.100  | 1316 303 033 | MAN | 007A 68   | 105.110  | 1316 303 053 | RVI | 016A 68   | 107.089  | 1269 332 036 | MAN | 005B 2    |
| 105.100  | 1316 303 033 | MAN | 008A 68   | 105.110  | 1316 303 053 | DAF | 022A 68   | 107.089  | 1269 332 036 | IVE | 009B 2    |
| 105.100  | 1316 303 033 | IVE | 012A 68   | 105.112  | 1315 303 048 | MAN | 007A 68   | 107.089  | 1269 332 036 | RVI | 014B 2    |
| 105.100  | 1316 303 033 | IVE | 013A 68   | 105.112  | 1315 303 048 | IVE | 012A 68   | 107.089  | 1269 332 036 | DAF | 019B 2    |
| 105.100  | 1316 303 033 | RVI | 016A 68   | 105.112  | 1315 303 048 | RVI | 016A 68   | 107.089  | 1269 332 036 | DAF | 019B 2    |
| 105.100  | 1316 303 033 | RVI | 017A 68   | 105.112  | 1315 303 048 | DAF | 022A 68   | 107.089  | 1269 332 036 | DAF | 020B 2    |
| 105.100  | 1316 303 033 | DAF | 022A 68   | 105.113  | 1313 303 011 | MAN | 006A 61   | 107.089  | 1269 332 036 | DAF | 020B 2    |
| 105.100  | 1316 303 033 | DAF | 023A 68   | 105.113  | 1313 303 011 | IVE | 011A 61   | 107.089  | 1269 332 036 | VOL | 024B 2    |
| 105.103  | 1316 303 034 | MAN | 007A 68   | 105.113  | 1313 303 011 | RVI | 015A 61   | 107.108  | 1295 305 056 | MB  | 001A 55   |
| 105.103  | 1316 303 034 | MAN | 008A 68   | 105.113  | 1313 303 011 | DAF | 021A 61   | 107.108  | 1295 305 056 | MB  | 002A 63   |
| 105.103  | 1316 303 034 | IVE | 012A 68   | 105.116  | 1297 303 048 | MB  | 001A 53   | 107.108  | 1295 305 056 | MB  | 003A 63   |
| 105.103  | 1316 303 034 | IVE | 013A 68   | 105.116  | 1297 303 048 | MAN | 004A 53   | 107.108  | 1295 305 056 | MAN | 004A 55   |
| 105.103  | 1316 303 034 | RVI | 016A 68   | 105.116  | 1297 303 048 | DAF | 018A 53   | 107.108  | 1295 305 056 | MAN | 005A 63   |
| 105.103  | 1316 303 034 | RVI | 017A 68   | 105.117  | 1296 303 026 | MB  | 002A 61   | 107.108  | 1295 305 056 | MAN | 006A 63   |
| 105.103  | 1316 303 034 | DAF | 022A 68   | 105.117  | 1296 303 026 | DAF | 019A 61   | 107.108  | 1295 305 056 | IVE | 009A 63   |
| 105.103  | 1316 303 034 | DAF | 023A 68   | 105.119  | 1295 303 067 | MB  | 002A 61   | 107.108  | 1295 305 056 | IVE | 010A 66   |
| 105.104  | 1296 303 025 | MB  | 002A 61   | 105.119  | 1295 303 067 | MAN | 005A 61   | 107.108  | 1295 305 056 | IVE | 011A 63   |
| 105.104  | 1296 303 025 | DAF | 019A 61   | 105.119  | 1295 303 067 | IVE | 009A 61   | 107.108  | 1295 305 056 | RVI | 014A 63   |
| 105.104  | 1296 303 025 | DAF | 020A 64   | 105.119  | 1295 303 067 | RVI | 014A 61   | 107.108  | 1295 305 056 | RVI | 015A 63   |
|          |              |     |           |          |              |     |           | 107.108  | 1295 305 056 | DAF | 018A 55   |

Date

03 / 2006

Table

Index

| Ref. CEI | Ref. ZF      | OEM | Tav. | Fig. | Ref. CEI | Ref. ZF      | OEM | Tav. | Fig. | Ref. CEI | Ref. ZF      | OEM | Tav. | Fig. |
|----------|--------------|-----|------|------|----------|--------------|-----|------|------|----------|--------------|-----|------|------|
| 107.108  | 1295 305 056 | DAF | 019A | 63   | 107.165  | 1312 332 026 | MB  | 002B | 2    | 109.072  | 1295 304 278 | DAF | 018A | 13   |
| 107.108  | 1295 305 056 | DAF | 020A | 66   | 107.165  | 1312 332 026 | MB  | 003B | 2    | 109.072  | 1295 304 278 | DAF | 018A | 22   |
| 107.108  | 1295 305 056 | DAF | 021A | 63   | 107.165  | 1312 332 026 | MAN | 005B | 2    | 109.072  | 1295 304 278 | DAF | 019A | 9    |
| 107.108  | 1295 305 056 | VOL | 024A | 63   | 107.165  | 1312 332 026 | MAN | 006B | 2    | 109.072  | 1295 304 278 | DAF | 019A | 18   |
| 107.108  | 1295 305 056 | VOL | 025A | 66   | 107.165  | 1312 332 026 | MAN | 007B | 2    | 109.072  | 1295 304 278 | DAF | 019A | 31   |
| 107.159  | 1315 332 053 | MAN | 008B | 2    | 107.165  | 1312 332 026 | IVE | 009B | 2    | 109.072  | 1295 304 278 | DAF | 019A | 40   |
| 107.159  | 1315 332 053 | MAN | 008B | 2    | 107.165  | 1312 332 026 | IVE | 010B | 2    | 109.072  | 1295 304 278 | DAF | 020A | 9    |
| 107.159  | 1315 332 053 | IVE | 013B | 2    | 107.165  | 1312 332 026 | IVE | 011B | 2    | 109.072  | 1295 304 278 | DAF | 020A | 18   |
| 107.159  | 1315 332 053 | IVE | 013B | 2    | 107.165  | 1312 332 026 | IVE | 012B | 2    | 109.072  | 1295 304 278 | VOL | 024A | 9    |
| 107.159  | 1315 332 053 | RVI | 017B | 2    | 107.165  | 1312 332 026 | RVI | 016B | 2    | 109.072  | 1295 304 278 | VOL | 024A | 18   |
| 107.159  | 1315 332 053 | RVI | 017B | 2    | 107.165  | 1312 332 026 | DAF | 019B | 2    | 109.072  | 1295 304 278 | VOL | 024A | 31   |
| 107.159  | 1315 332 053 | DAF | 023B | 2    | 107.165  | 1312 332 026 | DAF | 021B | 2    | 109.072  | 1295 304 278 | VOL | 024A | 40   |
| 107.159  | 1315 332 053 | DAF | 023B | 2    | 107.165  | 1312 332 026 | DAF | 022B | 2    | 109.072  | 1295 304 278 | VOL | 025A | 9    |
| 107.163  | 1297 332 109 | MB  | 001B | 2    | 107.204  | 1316 332 096 | MAN | 008B | 2    | 109.072  | 1295 304 278 | VOL | 025A | 18   |
| 107.163  | 1297 332 109 | MB  | 002B | 2    | 107.204  | 1316 332 096 | MAN | 008B | 2    | 109.074  | 1297 304 196 | MB  | 002A | 40   |
| 107.163  | 1297 332 109 | MB  | 002B | 2    | 107.204  | 1316 332 096 | IVE | 013B | 2    | 109.074  | 1297 304 196 | MAN | 005A | 40   |
| 107.163  | 1297 332 109 | MB  | 003B | 2    | 107.204  | 1316 332 096 | IVE | 013B | 2    | 109.074  | 1297 304 196 | IVE | 009A | 40   |
| 107.163  | 1297 332 109 | MAN | 004B | 2    | 107.204  | 1316 332 096 | RVI | 017B | 2    | 109.074  | 1297 304 196 | RVI | 014A | 40   |
| 107.163  | 1297 332 109 | MAN | 005B | 2    | 107.204  | 1316 332 096 | RVI | 017B | 2    | 109.074  | 1297 304 196 | DAF | 019A | 40   |
| 107.163  | 1297 332 109 | MAN | 005B | 2    | 107.204  | 1316 332 096 | DAF | 023B | 2    | 109.074  | 1297 304 196 | VOL | 024A | 40   |
| 107.163  | 1297 332 109 | MAN | 006B | 2    | 107.204  | 1316 332 096 | DAF | 023B | 2    | 109.075  | 1295 304 206 | MB  | 001A | 38   |
| 107.163  | 1297 332 109 | IVE | 009B | 2    | 109.072  | 1295 304 278 | MB  | 001A | 13   | 109.075  | 1295 304 206 | MB  | 002A | 46   |
| 107.163  | 1297 332 109 | IVE | 009B | 2    | 109.072  | 1295 304 278 | MB  | 001A | 22   | 109.075  | 1295 304 206 | MB  | 002A | 46   |
| 107.163  | 1297 332 109 | IVE | 010B | 2    | 109.072  | 1295 304 278 | MB  | 002A | 9    | 109.075  | 1295 304 206 | MAN | 004A | 38   |
| 107.163  | 1297 332 109 | IVE | 011B | 2    | 109.072  | 1295 304 278 | MB  | 002A | 18   | 109.075  | 1295 304 206 | MAN | 005A | 46   |
| 107.163  | 1297 332 109 | RVI | 014B | 2    | 109.072  | 1295 304 278 | MB  | 002A | 31   | 109.075  | 1295 304 206 | IVE | 009A | 46   |
| 107.163  | 1297 332 109 | DAF | 018B | 2    | 109.072  | 1295 304 278 | MB  | 002A | 40   | 109.075  | 1295 304 206 | RVI | 014A | 46   |
| 107.163  | 1297 332 109 | DAF | 019B | 2    | 109.072  | 1295 304 278 | MAN | 004A | 13   | 109.075  | 1295 304 206 | DAF | 019A | 46   |
| 107.163  | 1297 332 109 | DAF | 019B | 2    | 109.072  | 1295 304 278 | MAN | 004A | 22   | 109.075  | 1295 304 206 | DAF | 019A | 46   |
| 107.163  | 1297 332 109 | DAF | 020B | 2    | 109.072  | 1295 304 278 | MAN | 005A | 9    | 109.075  | 1295 304 206 | DAF | 020A | 49   |
| 107.163  | 1297 332 109 | DAF | 020B | 2    | 109.072  | 1295 304 278 | MAN | 005A | 18   | 109.075  | 1295 304 206 | DAF | 020A | 49   |
| 107.163  | 1297 332 109 | DAF | 021B | 2    | 109.072  | 1295 304 278 | MAN | 005A | 31   | 109.075  | 1295 304 206 | VOL | 024A | 46   |
| 107.163  | 1297 332 109 | VOL | 024B | 2    | 109.072  | 1295 304 278 | MAN | 005A | 40   | 109.083  | 1295 304 165 | MB  | 002A | 9    |
| 107.163  | 1297 332 109 | VOL | 024B | 2    | 109.072  | 1295 304 278 | IVE | 009A | 9    | 109.113  | 1297 304 371 | IVE | 010A | 42   |
| 107.163  | 1297 332 109 | VOL | 025B | 2    | 109.072  | 1295 304 278 | IVE | 009A | 18   | 109.113  | 1297 304 371 | DAF | 020A | 42   |
| 107.164  | 1296 332 005 | MAN | 006B | 2    | 109.072  | 1295 304 278 | IVE | 009A | 31   | 109.113  | 1297 304 371 | VOL | 025A | 42   |
| 107.164  | 1296 332 005 | MAN | 007B | 2    | 109.072  | 1295 304 278 | IVE | 009A | 40   | 109.114  | 1297 304 369 | IVE | 010A | 31   |
| 107.164  | 1296 332 005 | IVE | 011B | 2    | 109.072  | 1295 304 278 | IVE | 010A | 9    | 109.114  | 1297 304 369 | DAF | 020A | 31   |
| 107.164  | 1296 332 005 | IVE | 012B | 2    | 109.072  | 1295 304 278 | IVE | 010A | 18   | 109.114  | 1297 304 369 | VOL | 025A | 31   |
| 107.164  | 1296 332 005 | RVI | 015B | 2    | 109.072  | 1295 304 278 | RVI | 014A | 9    | 109.132  | 1313 304 009 | MAN | 006A | 37   |
| 107.164  | 1296 332 005 | RVI | 016B | 2    | 109.072  | 1295 304 278 | RVI | 014A | 18   | 109.132  | 1313 304 009 | MAN | 007A | 50   |
| 107.164  | 1296 332 005 | DAF | 021B | 2    | 109.072  | 1295 304 278 | RVI | 014A | 31   | 109.132  | 1313 304 009 | MAN | 008A | 50   |
| 107.164  | 1296 332 005 | DAF | 022B | 2    | 109.072  | 1295 304 278 | RVI | 014A | 40   | 109.132  | 1313 304 009 | IVE | 011A | 37   |

All original equipment manufacturers numbers, symbols, pictures, models and description used in this catalogue are for reference only, and it is not implied that any part listed is the product of these manufacturers. Tutti i nostri particolari non sono originali ma con essi intercambiabili. I riferimenti originali, le figure, i modelli sono esposti a semplice titolo indicativo. La nostra produzione riporta il nostro marchio.

CEI references index  
Indice riferimenti CEI

Date

03 / 2006

Table

Index

# CEI Index

| Ref. CEI | Ref. ZF      | OEM | Tav. | Fig. | Ref. CEI | Ref. ZF      | OEM | Tav. | Fig. | Ref. CEI | Ref. ZF      | OEM | Tav. | Fig. |
|----------|--------------|-----|------|------|----------|--------------|-----|------|------|----------|--------------|-----|------|------|
| 109.132  | 1313 304 009 | IVE | 012A | 50   | 109.134  | 1312 304 027 | DAF | 022A | 22   | 109.174  | 1296 333 050 | VOL | 024B | 54   |
| 109.132  | 1313 304 009 | IVE | 013A | 50   | 109.134  | 1312 304 027 | DAF | 022A | 33   | 109.174  | 1296 333 050 | VOL | 025B | 54   |
| 109.132  | 1313 304 009 | RVI | 015A | 37   | 109.134  | 1312 304 027 | DAF | 023A | 18   | 109.175  | 1316 233 015 | MAN | 008B | 24   |
| 109.132  | 1313 304 009 | RVI | 016A | 50   | 109.134  | 1312 304 027 | DAF | 023A | 33   | 109.175  | 1316 233 015 | IVE | 013B | 24   |
| 109.132  | 1313 304 009 | RVI | 017A | 50   | 109.144  | 1315 304 018 | MAN | 007A | 57   | 109.175  | 1316 233 015 | RVI | 017B | 24   |
| 109.132  | 1313 304 009 | DAF | 021A | 37   | 109.144  | 1315 304 018 | MAN | 008A | 57   | 109.175  | 1316 233 015 | DAF | 023B | 24   |
| 109.132  | 1313 304 009 | DAF | 022A | 50   | 109.144  | 1315 304 018 | IVE | 012A | 57   | 109.176  | 1312 304 106 | MB  | 003A | 41   |
| 109.132  | 1313 304 009 | DAF | 023A | 50   | 109.144  | 1315 304 018 | IVE | 013A | 57   | 109.176  | 1312 304 106 | MAN | 006A | 41   |
| 109.133  | 1312 304 056 | MB  | 003A | 19   | 109.144  | 1315 304 018 | RVI | 016A | 57   | 109.176  | 1312 304 106 | MAN | 007A | 43   |
| 109.133  | 1312 304 056 | MAN | 006A | 19   | 109.144  | 1315 304 018 | RVI | 017A | 57   | 109.176  | 1312 304 106 | MAN | 008A | 43   |
| 109.133  | 1312 304 056 | MAN | 007A | 25   | 109.144  | 1315 304 018 | DAF | 022A | 57   | 109.176  | 1312 304 106 | IVE | 011A | 41   |
| 109.133  | 1312 304 056 | MAN | 008A | 24   | 109.144  | 1315 304 018 | DAF | 023A | 57   | 109.176  | 1312 304 106 | IVE | 012A | 43   |
| 109.133  | 1312 304 056 | IVE | 011A | 19   | 109.163  | 1312 304 124 | MAN | 007A | 57   | 109.176  | 1312 304 106 | IVE | 013A | 43   |
| 109.133  | 1312 304 056 | IVE | 012A | 25   | 109.163  | 1312 304 124 | MAN | 008A | 57   | 109.176  | 1312 304 106 | RVI | 016A | 43   |
| 109.133  | 1312 304 056 | IVE | 013A | 24   | 109.163  | 1312 304 124 | IVE | 012A | 57   | 109.176  | 1312 304 106 | RVI | 017A | 43   |
| 109.133  | 1312 304 056 | RVI | 015A | 19   | 109.163  | 1312 304 124 | IVE | 013A | 57   | 109.176  | 1312 304 106 | DAF | 021A | 41   |
| 109.133  | 1312 304 056 | RVI | 016A | 25   | 109.163  | 1312 304 124 | RVI | 016A | 57   | 109.176  | 1312 304 106 | DAF | 021A | 41   |
| 109.133  | 1312 304 056 | RVI | 017A | 24   | 109.163  | 1312 304 124 | RVI | 017A | 57   | 109.176  | 1312 304 106 | DAF | 022A | 43   |
| 109.133  | 1312 304 056 | DAF | 021A | 19   | 109.163  | 1312 304 124 | DAF | 022A | 57   | 109.176  | 1312 304 106 | DAF | 023A | 43   |
| 109.133  | 1312 304 056 | DAF | 022A | 25   | 109.163  | 1312 304 124 | DAF | 023A | 57   | 109.177  | 1313 304 037 | MAN | 006A | 51   |
| 109.133  | 1312 304 056 | DAF | 023A | 24   | 109.174  | 1296 333 050 | MB  | 001B | 52   | 109.177  | 1313 304 037 | IVE | 011A | 51   |
| 109.134  | 1312 304 027 | MB  | 003A | 9    | 109.174  | 1296 333 050 | MB  | 002B | 54   | 109.177  | 1313 304 037 | RVI | 015A | 51   |
| 109.134  | 1312 304 027 | MB  | 003A | 27   | 109.174  | 1296 333 050 | MB  | 003B | 53   | 109.177  | 1313 304 037 | DAF | 021A | 51   |
| 109.134  | 1312 304 027 | MAN | 006A | 9    | 109.174  | 1296 333 050 | MAN | 004B | 52   | 109.178  | 1297 304 154 | MB  | 001A | 38   |
| 109.134  | 1312 304 027 | MAN | 006A | 27   | 109.174  | 1296 333 050 | MAN | 005B | 54   | 109.178  | 1297 304 154 | MB  | 002A | 46   |
| 109.134  | 1312 304 027 | MAN | 007A | 22   | 109.174  | 1296 333 050 | MAN | 006B | 53   | 109.178  | 1297 304 154 | MAN | 004A | 38   |
| 109.134  | 1312 304 027 | MAN | 007A | 33   | 109.174  | 1296 333 050 | MAN | 007B | 55   | 109.178  | 1297 304 154 | MAN | 005A | 46   |
| 109.134  | 1312 304 027 | MAN | 008A | 18   | 109.174  | 1296 333 050 | MAN | 008B | 17   | 109.178  | 1297 304 154 | IVE | 009A | 46   |
| 109.134  | 1312 304 027 | MAN | 008A | 33   | 109.174  | 1296 333 050 | IVE | 009B | 54   | 109.178  | 1297 304 154 | IVE | 010A | 49   |
| 109.134  | 1312 304 027 | IVE | 011A | 9    | 109.174  | 1296 333 050 | IVE | 010B | 54   | 109.178  | 1297 304 154 | DAF | 018A | 38   |
| 109.134  | 1312 304 027 | IVE | 011A | 27   | 109.174  | 1296 333 050 | IVE | 011B | 53   | 109.178  | 1297 304 154 | DAF | 019A | 46   |
| 109.134  | 1312 304 027 | IVE | 012A | 22   | 109.174  | 1296 333 050 | IVE | 012B | 55   | 109.178  | 1297 304 154 | DAF | 020A | 49   |
| 109.134  | 1312 304 027 | IVE | 012A | 33   | 109.174  | 1296 333 050 | IVE | 013B | 17   | 109.178  | 1297 304 154 | DAF | 020A | 49   |
| 109.134  | 1312 304 027 | IVE | 013A | 18   | 109.174  | 1296 333 050 | IVE | 013B | 17   | 109.178  | 1297 304 154 | VOL | 024A | 46   |
| 109.134  | 1312 304 027 | IVE | 013A | 33   | 109.174  | 1296 333 050 | RVI | 014B | 54   | 109.178  | 1297 304 154 | VOL | 025A | 49   |
| 109.134  | 1312 304 027 | RVI | 015A | 9    | 109.174  | 1296 333 050 | RVI | 015B | 53   | 109.181  | 1312 304 083 | MB  | 003A | 51   |
| 109.134  | 1312 304 027 | RVI | 015A | 27   | 109.174  | 1296 333 050 | RVI | 016B | 55   | 109.181  | 1312 304 083 | MAN | 006A | 51   |
| 109.134  | 1312 304 027 | RVI | 016A | 22   | 109.174  | 1296 333 050 | RVI | 017B | 17   | 109.181  | 1312 304 083 | IVE | 011A | 51   |
| 109.134  | 1312 304 027 | RVI | 016A | 33   | 109.174  | 1296 333 050 | DAF | 018B | 52   | 109.181  | 1312 304 083 | DAF | 021A | 51   |
| 109.134  | 1312 304 027 | RVI | 017A | 18   | 109.174  | 1296 333 050 | DAF | 019B | 54   | 109.184  | 1295 304 024 | MB  | 002A | 46   |
| 109.134  | 1312 304 027 | RVI | 017A | 33   | 109.174  | 1296 333 050 | DAF | 020B | 54   | 109.184  | 1295 304 024 | MAN | 004A | 38   |
| 109.134  | 1312 304 027 | RVI | 017A | 33   | 109.174  | 1296 333 050 | DAF | 021B | 53   | 109.184  | 1295 304 024 | MAN | 005A | 46   |
| 109.134  | 1312 304 027 | DAF | 021A | 9    | 109.174  | 1296 333 050 | DAF | 021B | 53   | 109.184  | 1295 304 024 | MAN | 005A | 46   |
| 109.134  | 1312 304 027 | DAF | 021A | 27   | 109.174  | 1296 333 050 | DAF | 022B | 55   | 109.184  | 1295 304 024 | MAN | 005A | 46   |
|          |              |     |      |      | 109.174  | 1296 333 050 | DAF | 023B | 17   | 109.184  | 1295 304 024 | IVE | 009A | 46   |

Date

03 / 2006

Table

Index

| Ref. CEI | Ref. ZF      | OEM | Tav. Fig. | Ref. CEI | Ref. ZF      | OEM | Tav. Fig. | Ref. CEI | Ref. ZF      | OEM | Tav. Fig. |
|----------|--------------|-----|-----------|----------|--------------|-----|-----------|----------|--------------|-----|-----------|
| 109.184  | 1295 304 024 | RVI | 014A 46   | 111.129  | 0730 505 055 | RVI | 014B 12   | 117.203  | 1295 304 012 | MB  | 002A 47   |
| 109.184  | 1295 304 024 | DAF | 019A 46   | 111.129  | 0730 505 055 | DAF | 018B 12   | 117.203  | 1295 304 012 | MB  | 002A 47   |
| 109.184  | 1295 304 024 | DAF | 019A 46   | 111.129  | 0730 505 055 | DAF | 019B 12   | 117.203  | 1295 304 012 | MAN | 004A 39   |
| 109.184  | 1295 304 024 | DAF | 020A 49   | 111.129  | 0730 505 055 | DAF | 019B 12   | 117.203  | 1295 304 012 | MAN | 005A 47   |
| 109.184  | 1295 304 024 | VOL | 024A 46   | 111.129  | 0730 505 055 | DAF | 019B 12   | 117.203  | 1295 304 012 | IVE | 009A 47   |
| 109.385  | 1316 304 159 | MB  | 003A 27   | 111.129  | 0730 505 055 | DAF | 020B 12   | 117.203  | 1295 304 012 | RVI | 014A 47   |
| 109.385  | 1316 304 159 | MAN | 006A 27   | 111.129  | 0730 505 055 | DAF | 020B 12   | 117.203  | 1295 304 012 | DAF | 019A 47   |
| 109.385  | 1316 304 159 | MAN | 007A 33   | 111.129  | 0730 505 055 | DAF | 020B 12   | 117.203  | 1295 304 012 | DAF | 019A 47   |
| 109.385  | 1316 304 159 | MAN | 008A 33   | 111.129  | 0730 505 055 | DAF | 021B 11   | 117.203  | 1295 304 012 | DAF | 020A 50   |
| 109.385  | 1316 304 159 | IVE | 011A 27   | 111.129  | 0730 505 055 | VOL | 024B 12   | 117.203  | 1295 304 012 | DAF | 020A 50   |
| 109.385  | 1316 304 159 | IVE | 012A 33   | 111.129  | 0730 505 055 | VOL | 024B 12   | 117.203  | 1295 304 012 | VOL | 024A 47   |
| 109.385  | 1316 304 159 | IVE | 013A 33   | 111.129  | 0730 505 055 | VOL | 025B 12   | 117.246  | 1297 304 035 | MB  | 002A 67   |
| 109.385  | 1316 304 159 | RVI | 015A 27   | 111.198  | 0730 505 056 | MB  | 001B 12   | 117.246  | 1297 304 035 | MAN | 005A 67   |
| 109.385  | 1316 304 159 | RVI | 016A 33   | 111.198  | 0730 505 056 | MB  | 002B 12   | 117.246  | 1297 304 035 | IVE | 009A 67   |
| 109.385  | 1316 304 159 | RVI | 017A 33   | 111.198  | 0730 505 056 | MB  | 002B 12   | 117.246  | 1297 304 035 | IVE | 010A 47   |
| 109.385  | 1316 304 159 | DAF | 021A 27   | 111.198  | 0730 505 056 | MB  | 003B 11   | 117.246  | 1297 304 035 | DAF | 019A 67   |
| 109.385  | 1316 304 159 | DAF | 022A 33   | 111.198  | 0730 505 056 | MAN | 004B 12   | 117.246  | 1297 304 035 | DAF | 020A 47   |
| 109.385  | 1316 304 159 | DAF | 023A 33   | 111.198  | 0730 505 056 | MAN | 005B 12   | 117.246  | 1297 304 035 | VOL | 024A 67   |
| 109.386  | 1316 304 156 | MAN | 006A 37   | 111.198  | 0730 505 056 | MAN | 005B 12   | 117.246  | 1297 304 035 | VOL | 025A 47   |
| 109.386  | 1316 304 156 | MAN | 007A 50   | 111.198  | 0730 505 056 | MAN | 006B 11   | 117.293  | 1315 304 132 | MAN | 006A 52   |
| 109.386  | 1316 304 156 | MAN | 008A 50   | 111.198  | 0730 505 056 | MAN | 006B 11   | 117.293  | 1315 304 132 | MAN | 007A 58   |
| 109.386  | 1316 304 156 | IVE | 011A 37   | 111.198  | 0730 505 056 | MAN | 007B 11   | 117.293  | 1315 304 132 | MAN | 008A 58   |
| 109.386  | 1316 304 156 | IVE | 012A 50   | 111.198  | 0730 505 056 | IVE | 009B 12   | 117.293  | 1315 304 132 | IVE | 011A 52   |
| 109.386  | 1316 304 156 | IVE | 013A 50   | 111.198  | 0730 505 056 | IVE | 009B 12   | 117.293  | 1315 304 132 | IVE | 012A 58   |
| 109.386  | 1316 304 156 | RVI | 015A 37   | 111.198  | 0730 505 056 | IVE | 010B 12   | 117.293  | 1315 304 132 | IVE | 013A 58   |
| 109.386  | 1316 304 156 | RVI | 016A 50   | 111.198  | 0730 505 056 | IVE | 011B 11   | 117.293  | 1315 304 132 | RVI | 015A 52   |
| 109.386  | 1316 304 156 | RVI | 017A 50   | 111.198  | 0730 505 056 | IVE | 011B 11   | 117.293  | 1315 304 132 | RVI | 016A 58   |
| 109.386  | 1316 304 156 | DAF | 021A 37   | 111.198  | 0730 505 056 | IVE | 012B 11   | 117.293  | 1315 304 132 | RVI | 017A 58   |
| 109.386  | 1316 304 156 | DAF | 022A 50   | 111.198  | 0730 505 056 | RVI | 014B 12   | 117.293  | 1315 304 132 | DAF | 021A 52   |
| 109.386  | 1316 304 156 | DAF | 023A 50   | 111.198  | 0730 505 056 | RVI | 015B 11   | 117.293  | 1315 304 132 | DAF | 022A 58   |
| 111.129  | 0730 505 055 | MB  | 001B 12   | 111.198  | 0730 505 056 | RVI | 016B 11   | 117.293  | 1315 304 132 | DAF | 023A 58   |
| 111.129  | 0730 505 055 | MB  | 002B 12   | 111.198  | 0730 505 056 | DAF | 018B 12   | 117.294  | 1313 304 038 | MAN | 006A 49   |
| 111.129  | 0730 505 055 | MB  | 002B 12   | 111.198  | 0730 505 056 | DAF | 019B 12   | 117.294  | 1313 304 038 | MAN | 007A 55   |
| 111.129  | 0730 505 055 | MB  | 002B 12   | 111.198  | 0730 505 056 | DAF | 019B 12   | 117.294  | 1313 304 038 | MAN | 008A 55   |
| 111.129  | 0730 505 055 | MB  | 003B 11   | 111.198  | 0730 505 056 | DAF | 020B 12   | 117.294  | 1313 304 038 | IVE | 011A 49   |
| 111.129  | 0730 505 055 | MAN | 004B 12   | 111.198  | 0730 505 056 | DAF | 020B 12   | 117.294  | 1313 304 038 | IVE | 012A 55   |
| 111.129  | 0730 505 055 | MAN | 005B 12   | 111.198  | 0730 505 056 | DAF | 021B 11   | 117.294  | 1313 304 038 | IVE | 013A 55   |
| 111.129  | 0730 505 055 | MAN | 005B 12   | 111.198  | 0730 505 056 | DAF | 021B 11   | 117.294  | 1313 304 038 | RVI | 015A 49   |
| 111.129  | 0730 505 055 | MAN | 006B 11   | 111.198  | 0730 505 056 | DAF | 022B 11   | 117.294  | 1313 304 038 | RVI | 016A 55   |
| 111.129  | 0730 505 055 | IVE | 009B 12   | 111.198  | 0730 505 056 | VOL | 024B 12   | 117.294  | 1313 304 038 | RVI | 017A 55   |
| 111.129  | 0730 505 055 | IVE | 009B 12   | 111.198  | 0730 505 056 | VOL | 024B 12   | 117.294  | 1313 304 038 | DAF | 021A 49   |
| 111.129  | 0730 505 055 | IVE | 010B 12   | 111.198  | 0730 505 056 | VOL | 025B 12   | 117.294  | 1313 304 038 | DAF | 022A 55   |
| 111.129  | 0730 505 055 | IVE | 011B 11   | 117.203  | 1295 304 012 | MB  | 001A 39   | 117.294  | 1313 304 038 | DAF | 023A 55   |

Date

03 / 2006

Table

Index

All original equipment manufacturers numbers, symbols, pictures, models and description used in this catalogue are for reference only, and it is not implied that any part listed is the product of these manufacturers. Tutti i nostri particolari non sono originali ma con essi intercambiabili. I riferimenti originali, le figure, i modelli sono esposti a semplice titolo indicativo. La nostra produzione riporta il nostro marchio.

# CEI Index

| Ref. CEI | Ref. ZF      | OEM | Tav. Fig. | Ref. CEI | Ref. ZF      | OEM | Tav. Fig. | Ref. CEI | Ref. ZF      | OEM | Tav. Fig. |
|----------|--------------|-----|-----------|----------|--------------|-----|-----------|----------|--------------|-----|-----------|
| 117.310  | 1312 304 084 | MB  | 003A 49   | 117.320  | 0750 119 124 | RVI | 017A 29   | 119.085  | 1296 333 022 | IVE | 009B 16   |
| 117.310  | 1312 304 084 | MAN | 006A 49   | 117.320  | 0750 119 124 | DAF | 022A 29   | 119.085  | 1296 333 022 | IVE | 010B 16   |
| 117.310  | 1312 304 084 | MAN | 007A 55   | 117.320  | 0750 119 124 | DAF | 023A 29   | 119.085  | 1296 333 022 | IVE | 011B 15   |
| 117.310  | 1312 304 084 | MAN | 008A 55   | 117.321  | 0750 119 125 | MAN | 007A 29   | 119.085  | 1296 333 022 | IVE | 012B 15   |
| 117.310  | 1312 304 084 | IVE | 011A 49   | 117.321  | 0750 119 125 | MAN | 008A 29   | 119.085  | 1296 333 022 | IVE | 013B 18   |
| 117.310  | 1312 304 084 | IVE | 012A 55   | 117.321  | 0750 119 125 | IVE | 012A 29   | 119.085  | 1296 333 022 | RVI | 014B 16   |
| 117.310  | 1312 304 084 | IVE | 013A 55   | 117.321  | 0750 119 125 | IVE | 013A 29   | 119.085  | 1296 333 022 | RVI | 015B 15   |
| 117.310  | 1312 304 084 | RVI | 016A 55   | 117.321  | 0750 119 125 | RVI | 016A 29   | 119.085  | 1296 333 022 | RVI | 016B 15   |
| 117.310  | 1312 304 084 | RVI | 017A 55   | 117.321  | 0750 119 125 | RVI | 017A 29   | 119.085  | 1296 333 022 | RVI | 017B 18   |
| 117.310  | 1312 304 084 | DAF | 021A 49   | 117.321  | 0750 119 125 | DAF | 022A 29   | 119.085  | 1296 333 022 | DAF | 018B 16   |
| 117.310  | 1312 304 084 | DAF | 022A 55   | 117.321  | 0750 119 125 | DAF | 023A 29   | 119.085  | 1296 333 022 | DAF | 019B 16   |
| 117.310  | 1312 304 084 | DAF | 023A 55   | 119.084  | 1295 304 004 | MB  | 001A 14   | 119.085  | 1296 333 022 | DAF | 020B 16   |
| 117.311  | 1316 304 133 | MB  | 003A 52   | 119.084  | 1295 304 004 | MB  | 002A 10   | 119.085  | 1296 333 022 | DAF | 021B 15   |
| 117.311  | 1316 304 133 | MAN | 006A 52   | 119.084  | 1295 304 004 | MB  | 002A 32   | 119.085  | 1296 333 022 | DAF | 022B 15   |
| 117.311  | 1316 304 133 | MAN | 007A 58   | 119.084  | 1295 304 004 | MB  | 002A 41   | 119.085  | 1296 333 022 | DAF | 023B 18   |
| 117.311  | 1316 304 133 | MAN | 008A 58   | 119.084  | 1295 304 004 | MAN | 004A 14   | 119.085  | 1296 333 022 | VOL | 024B 16   |
| 117.311  | 1316 304 133 | IVE | 011A 52   | 119.084  | 1295 304 004 | MAN | 005A 10   | 119.085  | 1296 333 022 | VOL | 025B 16   |
| 117.311  | 1316 304 133 | IVE | 012A 58   | 119.084  | 1295 304 004 | MAN | 005A 32   | 119.086  | 1246 304 278 | MB  | 002A 41   |
| 117.311  | 1316 304 133 | IVE | 013A 58   | 119.084  | 1295 304 004 | MAN | 005A 41   | 119.086  | 1246 304 278 | MAN | 005A 41   |
| 117.311  | 1316 304 133 | RVI | 016A 58   | 119.084  | 1295 304 004 | IVE | 009A 10   | 119.086  | 1246 304 278 | IVE | 009A 41   |
| 117.311  | 1316 304 133 | RVI | 017A 58   | 119.084  | 1295 304 004 | IVE | 009A 32   | 119.086  | 1246 304 278 | RVI | 014A 41   |
| 117.311  | 1316 304 133 | DAF | 021A 52   | 119.084  | 1295 304 004 | IVE | 009A 41   | 119.086  | 1246 304 278 | DAF | 019A 41   |
| 117.311  | 1316 304 133 | DAF | 022A 58   | 119.084  | 1295 304 004 | IVE | 010A 10   | 119.086  | 1246 304 278 | VOL | 024A 41   |
| 117.311  | 1316 304 133 | DAF | 023A 58   | 119.084  | 1295 304 004 | RVI | 014A 10   | 119.119  | 1297 304 402 | MB  | 003A 10   |
| 117.317  | 1297 304 055 | MB  | 001A 36   | 119.084  | 1295 304 004 | RVI | 014A 32   | 119.119  | 1297 304 402 | MB  | 003A 28   |
| 117.317  | 1297 304 055 | MAN | 004A 36   | 119.084  | 1295 304 004 | RVI | 014A 41   | 119.119  | 1297 304 402 | MAN | 006A 10   |
| 117.317  | 1297 304 055 | DAF | 018A 36   | 119.084  | 1295 304 004 | DAF | 018A 14   | 119.119  | 1297 304 402 | MAN | 006A 28   |
| 117.318  | 1297 304 034 | MB  | 001A 39   | 119.084  | 1295 304 004 | DAF | 019A 10   | 119.119  | 1297 304 402 | MAN | 007A 23   |
| 117.318  | 1297 304 034 | MB  | 002A 47   | 119.084  | 1295 304 004 | DAF | 019A 32   | 119.119  | 1297 304 402 | MAN | 007A 34   |
| 117.318  | 1297 304 034 | MAN | 004A 39   | 119.084  | 1295 304 004 | DAF | 019A 41   | 119.119  | 1297 304 402 | MAN | 008A 19   |
| 117.318  | 1297 304 034 | MAN | 005A 47   | 119.084  | 1295 304 004 | DAF | 020A 10   | 119.119  | 1297 304 402 | MAN | 008A 34   |
| 117.318  | 1297 304 034 | IVE | 009A 47   | 119.084  | 1295 304 004 | VOL | 024A 10   | 119.119  | 1297 304 402 | IVE | 010A 32   |
| 117.318  | 1297 304 034 | IVE | 010A 50   | 119.084  | 1295 304 004 | VOL | 024A 32   | 119.119  | 1297 304 402 | IVE | 011A 10   |
| 117.318  | 1297 304 034 | DAF | 018A 39   | 119.084  | 1295 304 004 | VOL | 024A 41   | 119.119  | 1297 304 402 | IVE | 011A 28   |
| 117.318  | 1297 304 034 | DAF | 019A 47   | 119.084  | 1295 304 004 | VOL | 025A 10   | 119.119  | 1297 304 402 | IVE | 012A 23   |
| 117.318  | 1297 304 034 | DAF | 020A 50   | 119.085  | 1296 333 022 | MB  | 001B 16   | 119.119  | 1297 304 402 | IVE | 012A 34   |
| 117.318  | 1297 304 034 | VOL | 024A 47   | 119.085  | 1296 333 022 | MB  | 002B 16   | 119.119  | 1297 304 402 | IVE | 013A 19   |
| 117.318  | 1297 304 034 | VOL | 025A 50   | 119.085  | 1296 333 022 | MB  | 003B 15   | 119.119  | 1297 304 402 | IVE | 013A 34   |
| 117.320  | 0750 119 124 | MAN | 007A 29   | 119.085  | 1296 333 022 | MAN | 004B 16   | 119.119  | 1297 304 402 | RVI | 015A 10   |
| 117.320  | 0750 119 124 | MAN | 008A 29   | 119.085  | 1296 333 022 | MAN | 005B 16   | 119.119  | 1297 304 402 | RVI | 015A 28   |
| 117.320  | 0750 119 124 | IVE | 012A 29   | 119.085  | 1296 333 022 | MAN | 006B 15   | 119.119  | 1297 304 402 | RVI | 016A 23   |
| 117.320  | 0750 119 124 | IVE | 013A 29   | 119.085  | 1296 333 022 | MAN | 007B 15   | 119.119  | 1297 304 402 | RVI | 016A 34   |
| 117.320  | 0750 119 124 | RVI | 016A 29   | 119.085  | 1296 333 022 | MAN | 008B 18   | 119.119  | 1297 304 402 | RVI | 017A 19   |

Date

03 / 2006

Table

Index

| Ref. CEI | Ref. ZF      | OEM | Tav. Fig. | Ref. CEI | Ref. ZF      | OEM | Tav. Fig. | Ref. CEI | Ref. ZF      | OEM | Tav. Fig. |
|----------|--------------|-----|-----------|----------|--------------|-----|-----------|----------|--------------|-----|-----------|
| 119.119  | 1297 304 402 | RVI | 017A 34   | 119.152  | 1268 304 424 | MAN | 006A 42   | 119.167  | 1297 304 484 | MAN | 007A 34   |
| 119.119  | 1297 304 402 | DAF | 020A 32   | 119.152  | 1268 304 424 | MAN | 007A 44   | 119.167  | 1297 304 484 | MAN | 008A 19   |
| 119.119  | 1297 304 402 | DAF | 021A 10   | 119.152  | 1268 304 424 | MAN | 008A 44   | 119.167  | 1297 304 484 | MAN | 008A 34   |
| 119.119  | 1297 304 402 | DAF | 021A 28   | 119.152  | 1268 304 424 | IVE | 011A 42   | 119.167  | 1297 304 484 | IVE | 010A 32   |
| 119.119  | 1297 304 402 | DAF | 022A 23   | 119.152  | 1268 304 424 | IVE | 012A 44   | 119.167  | 1297 304 484 | IVE | 011A 10   |
| 119.119  | 1297 304 402 | DAF | 022A 34   | 119.152  | 1268 304 424 | IVE | 013A 44   | 119.167  | 1297 304 484 | IVE | 011A 28   |
| 119.119  | 1297 304 402 | DAF | 023A 19   | 119.152  | 1268 304 424 | RVI | 016A 44   | 119.167  | 1297 304 484 | IVE | 012A 23   |
| 119.119  | 1297 304 402 | DAF | 023A 34   | 119.152  | 1268 304 424 | RVI | 017A 44   | 119.167  | 1297 304 484 | IVE | 012A 34   |
| 119.119  | 1297 304 402 | VOL | 025A 32   | 119.152  | 1268 304 424 | DAF | 021A 42   | 119.167  | 1297 304 484 | IVE | 013A 19   |
| 119.122  | 1297 304 401 | MAN | 006A 38   | 119.152  | 1268 304 424 | DAF | 022A 44   | 119.167  | 1297 304 484 | IVE | 013A 34   |
| 119.122  | 1297 304 401 | MAN | 007A 51   | 119.152  | 1268 304 424 | DAF | 023A 44   | 119.167  | 1297 304 484 | RVI | 015A 10   |
| 119.122  | 1297 304 401 | MAN | 008A 51   | 119.153  | 1268 304 494 | MB  | 003A 43   | 119.167  | 1297 304 484 | RVI | 015A 28   |
| 119.122  | 1297 304 401 | IVE | 010A 43   | 119.153  | 1268 304 494 | MAN | 006A 43   | 119.167  | 1297 304 484 | RVI | 016A 23   |
| 119.122  | 1297 304 401 | IVE | 011A 38   | 119.153  | 1268 304 494 | MAN | 007A 45   | 119.167  | 1297 304 484 | RVI | 016A 34   |
| 119.122  | 1297 304 401 | IVE | 012A 51   | 119.153  | 1268 304 494 | MAN | 008A 45   | 119.167  | 1297 304 484 | RVI | 017A 19   |
| 119.122  | 1297 304 401 | IVE | 013A 51   | 119.153  | 1268 304 494 | IVE | 011A 43   | 119.167  | 1297 304 484 | RVI | 017A 34   |
| 119.122  | 1297 304 401 | RVI | 015A 38   | 119.153  | 1268 304 494 | IVE | 012A 45   | 119.167  | 1297 304 484 | DAF | 020A 32   |
| 119.122  | 1297 304 401 | RVI | 016A 51   | 119.153  | 1268 304 494 | IVE | 013A 45   | 119.167  | 1297 304 484 | DAF | 021A 10   |
| 119.122  | 1297 304 401 | RVI | 017A 51   | 119.153  | 1268 304 494 | RVI | 016A 45   | 119.167  | 1297 304 484 | DAF | 021A 28   |
| 119.122  | 1297 304 401 | DAF | 020A 43   | 119.153  | 1268 304 494 | RVI | 017A 45   | 119.167  | 1297 304 484 | DAF | 022A 23   |
| 119.122  | 1297 304 401 | DAF | 021A 38   | 119.153  | 1268 304 494 | DAF | 021A 43   | 119.167  | 1297 304 484 | DAF | 022A 34   |
| 119.122  | 1297 304 401 | DAF | 022A 51   | 119.153  | 1268 304 494 | DAF | 022A 45   | 119.167  | 1297 304 484 | DAF | 023A 19   |
| 119.122  | 1297 304 401 | DAF | 023A 51   | 119.153  | 1268 304 494 | DAF | 023A 45   | 119.167  | 1297 304 484 | DAF | 023A 34   |
| 119.122  | 1297 304 401 | VOL | 025A 43   | 119.166  | 1297 304 485 | MAN | 006A 38   | 119.167  | 1297 304 484 | VOL | 025A 32   |
| 119.125  | 1296 304 135 | MB  | 002A 41   | 119.166  | 1297 304 485 | MAN | 007A 51   | 119.172  | 1296 333 045 | MB  | 001B 16   |
| 119.125  | 1296 304 135 | MAN | 005A 41   | 119.166  | 1297 304 485 | MAN | 008A 51   | 119.172  | 1296 333 045 | MB  | 002B 16   |
| 119.125  | 1296 304 135 | IVE | 009A 41   | 119.166  | 1297 304 485 | IVE | 010A 43   | 119.172  | 1296 333 045 | MB  | 003B 15   |
| 119.125  | 1296 304 135 | RVI | 014A 41   | 119.166  | 1297 304 485 | IVE | 011A 38   | 119.172  | 1296 333 045 | MAN | 004B 16   |
| 119.125  | 1296 304 135 | DAF | 019A 41   | 119.166  | 1297 304 485 | IVE | 012A 51   | 119.172  | 1296 333 045 | MAN | 005B 16   |
| 119.125  | 1296 304 135 | VOL | 024A 41   | 119.166  | 1297 304 485 | IVE | 013A 51   | 119.172  | 1296 333 045 | MAN | 006B 15   |
| 119.144  | 1268 304 525 | MB  | 003A 44   | 119.166  | 1297 304 485 | RVI | 015A 38   | 119.172  | 1296 333 045 | MAN | 007B 15   |
| 119.144  | 1268 304 525 | MAN | 006A 44   | 119.166  | 1297 304 485 | RVI | 016A 51   | 119.172  | 1296 333 045 | MAN | 008B 18   |
| 119.144  | 1268 304 525 | MAN | 007A 46   | 119.166  | 1297 304 485 | RVI | 017A 51   | 119.172  | 1296 333 045 | IVE | 009B 16   |
| 119.144  | 1268 304 525 | MAN | 008A 46   | 119.166  | 1297 304 485 | DAF | 020A 43   | 119.172  | 1296 333 045 | IVE | 010B 16   |
| 119.144  | 1268 304 525 | IVE | 011A 44   | 119.166  | 1297 304 485 | DAF | 021A 38   | 119.172  | 1296 333 045 | IVE | 011B 15   |
| 119.144  | 1268 304 525 | IVE | 012A 46   | 119.166  | 1297 304 485 | DAF | 022A 51   | 119.172  | 1296 333 045 | IVE | 012B 15   |
| 119.144  | 1268 304 525 | IVE | 013A 46   | 119.166  | 1297 304 485 | DAF | 023A 51   | 119.172  | 1296 333 045 | IVE | 013B 18   |
| 119.144  | 1268 304 525 | RVI | 016A 46   | 119.166  | 1297 304 485 | VOL | 025A 43   | 119.172  | 1296 333 045 | RVI | 014B 16   |
| 119.144  | 1268 304 525 | RVI | 017A 46   | 119.167  | 1297 304 484 | MB  | 003A 10   | 119.172  | 1296 333 045 | RVI | 015B 15   |
| 119.144  | 1268 304 525 | DAF | 021A 44   | 119.167  | 1297 304 484 | MB  | 003A 28   | 119.172  | 1296 333 045 | RVI | 016B 15   |
| 119.144  | 1268 304 525 | DAF | 022A 46   | 119.167  | 1297 304 484 | MAN | 006A 10   | 119.172  | 1296 333 045 | RVI | 017B 18   |
| 119.144  | 1268 304 525 | DAF | 023A 46   | 119.167  | 1297 304 484 | MAN | 006A 28   | 119.172  | 1296 333 045 | DAF | 018B 16   |
| 119.152  | 1268 304 424 | MB  | 003A 42   | 119.167  | 1297 304 484 | MAN | 007A 23   | 119.172  | 1296 333 045 | DAF | 019B 16   |

All original equipment manufacturers numbers, symbols, pictures, models and description used in this catalogue are for reference only, and it is not implied that any part listed is the product of these manufactures. Tutti i nostri particolari non sono originali ma con essi intercambiabili. I riferimenti originali, le figure, i modelli sono esposti a semplice titolo indicativo. La nostra produzione riporta il nostro marchio.

CEI references index  
Indice riferimenti CEI

Date

03 / 2006

Table

Index

# CEI Index

| Ref. CEI | Ref. ZF      | OEM | Tav. | Fig. | Ref. CEI | Ref. ZF      | OEM | Tav. | Fig. | Ref. CEI | Ref. ZF      | OEM | Tav. | Fig. |
|----------|--------------|-----|------|------|----------|--------------|-----|------|------|----------|--------------|-----|------|------|
| 119.172  | 1296 333 045 | DAF | 020B | 16   | 119.218  | 1316 304 150 | RVI | 015A | 38   | 123.208  | 1295 332 086 | DAF | 019B | 10   |
| 119.172  | 1296 333 045 | DAF | 021B | 15   | 119.218  | 1316 304 150 | RVI | 016A | 51   | 123.208  | 1295 332 086 | DAF | 019B | 10   |
| 119.172  | 1296 333 045 | DAF | 022B | 15   | 119.218  | 1316 304 150 | RVI | 017A | 51   | 123.208  | 1295 332 086 | DAF | 020B | 10   |
| 119.172  | 1296 333 045 | DAF | 023B | 18   | 119.218  | 1316 304 150 | DAF | 021A | 38   | 123.208  | 1295 332 086 | DAF | 020B | 10   |
| 119.172  | 1296 333 045 | VOL | 024B | 16   | 119.218  | 1316 304 150 | DAF | 022A | 51   | 123.208  | 1295 332 086 | DAF | 021B | 9    |
| 119.172  | 1296 333 045 | VOL | 025B | 16   | 119.218  | 1316 304 150 | DAF | 023A | 51   | 123.208  | 1295 332 086 | DAF | 021B | 9    |
| 119.175  | 1304 304 686 | MB  | 001A | 14   | 123.162  | 1295 332 053 | MB  | 001B | 10   | 123.208  | 1295 332 086 | DAF | 022B | 9    |
| 119.175  | 1304 304 686 | MB  | 002A | 10   | 123.162  | 1295 332 053 | MB  | 002B | 10   | 123.208  | 1295 332 086 | DAF | 022B | 9    |
| 119.175  | 1304 304 686 | MB  | 002A | 32   | 123.162  | 1295 332 053 | MB  | 002B | 10   | 123.208  | 1295 332 086 | VOL | 024B | 10   |
| 119.175  | 1304 304 686 | MAN | 004A | 14   | 123.162  | 1295 332 053 | MAN | 004B | 10   | 123.208  | 1295 332 086 | VOL | 024B | 10   |
| 119.175  | 1304 304 686 | MAN | 005A | 10   | 123.162  | 1295 332 053 | MAN | 005B | 10   | 123.208  | 1295 332 086 | VOL | 025B | 10   |
| 119.175  | 1304 304 686 | MAN | 005A | 32   | 123.162  | 1295 332 053 | IVE | 009B | 10   | 123.211  | 1315 332 041 | MAN | 008B | 9    |
| 119.175  | 1304 304 686 | IVE | 009A | 10   | 123.162  | 1295 332 053 | RVI | 014B | 10   | 123.211  | 1315 332 041 | IVE | 013B | 9    |
| 119.175  | 1304 304 686 | IVE | 009A | 32   | 123.162  | 1295 332 053 | DAF | 019B | 10   | 123.211  | 1315 332 041 | RVI | 017B | 9    |
| 119.175  | 1304 304 686 | IVE | 010A | 10   | 123.162  | 1295 332 053 | DAF | 019B | 10   | 123.211  | 1315 332 041 | DAF | 023B | 9    |
| 119.175  | 1304 304 686 | RVI | 014A | 10   | 123.162  | 1295 332 053 | DAF | 020B | 10   | 123.217  | 1297 332 080 | MB  | 001B | 10   |
| 119.175  | 1304 304 686 | RVI | 014A | 32   | 123.162  | 1295 332 053 | DAF | 020B | 10   | 123.217  | 1297 332 080 | MB  | 002B | 10   |
| 119.175  | 1304 304 686 | DAF | 018A | 14   | 123.162  | 1295 332 053 | VOL | 024B | 10   | 123.217  | 1297 332 080 | MB  | 003B | 9    |
| 119.175  | 1304 304 686 | DAF | 019A | 10   | 123.162  | 1295 332 053 | VOL | 024B | 10   | 123.217  | 1297 332 080 | MAN | 004B | 10   |
| 119.175  | 1304 304 686 | DAF | 019A | 32   | 123.208  | 1295 332 086 | MB  | 001B | 10   | 123.217  | 1297 332 080 | MAN | 005B | 10   |
| 119.175  | 1304 304 686 | DAF | 020A | 10   | 123.208  | 1295 332 086 | MB  | 002B | 10   | 123.217  | 1297 332 080 | MAN | 006B | 9    |
| 119.175  | 1304 304 686 | VOL | 024A | 10   | 123.208  | 1295 332 086 | MB  | 002B | 10   | 123.217  | 1297 332 080 | IVE | 009B | 10   |
| 119.175  | 1304 304 686 | VOL | 024A | 32   | 123.208  | 1295 332 086 | MB  | 003B | 9    | 123.217  | 1297 332 080 | IVE | 010B | 10   |
| 119.175  | 1304 304 686 | VOL | 025A | 10   | 123.208  | 1295 332 086 | MAN | 004B | 10   | 123.217  | 1297 332 080 | IVE | 011B | 9    |
| 119.217  | 1316 304 149 | MB  | 003A | 28   | 123.208  | 1295 332 086 | MAN | 004B | 10   | 123.217  | 1297 332 080 | DAF | 018B | 10   |
| 119.217  | 1316 304 149 | MAN | 006A | 28   | 123.208  | 1295 332 086 | MAN | 004B | 10   | 123.217  | 1297 332 080 | DAF | 019B | 10   |
| 119.217  | 1316 304 149 | MAN | 007A | 34   | 123.208  | 1295 332 086 | MAN | 005B | 10   | 123.217  | 1297 332 080 | DAF | 020B | 10   |
| 119.217  | 1316 304 149 | MAN | 008A | 34   | 123.208  | 1295 332 086 | MAN | 006B | 9    | 123.217  | 1297 332 080 | DAF | 021B | 9    |
| 119.217  | 1316 304 149 | IVE | 011A | 28   | 123.208  | 1295 332 086 | MAN | 006B | 9    | 123.217  | 1297 332 080 | VOL | 024B | 10   |
| 119.217  | 1316 304 149 | IVE | 012A | 34   | 123.208  | 1295 332 086 | MAN | 007B | 9    | 123.217  | 1297 332 080 | VOL | 025B | 10   |
| 119.217  | 1316 304 149 | IVE | 013A | 34   | 123.208  | 1295 332 086 | MAN | 007B | 9    | 123.221  | 1315 332 003 | MAN | 007B | 9    |
| 119.217  | 1316 304 149 | RVI | 015A | 28   | 123.208  | 1295 332 086 | IVE | 009B | 10   | 123.221  | 1315 332 003 | IVE | 012B | 9    |
| 119.217  | 1316 304 149 | RVI | 016A | 34   | 123.208  | 1295 332 086 | IVE | 009B | 10   | 123.221  | 1315 332 003 | RVI | 016B | 9    |
| 119.217  | 1316 304 149 | RVI | 017A | 34   | 123.208  | 1295 332 086 | IVE | 010B | 10   | 123.221  | 1315 332 003 | DAF | 022B | 9    |
| 119.217  | 1316 304 149 | DAF | 021A | 28   | 123.208  | 1295 332 086 | IVE | 011B | 9    | 128.098  | 1315 301 220 | MB  | 001B | 25   |
| 119.217  | 1316 304 149 | DAF | 022A | 34   | 123.208  | 1295 332 086 | IVE | 011B | 9    | 128.098  | 1315 301 220 | MB  | 002B | 25   |
| 119.217  | 1316 304 149 | DAF | 023A | 34   | 123.208  | 1295 332 086 | IVE | 012B | 9    | 128.098  | 1315 301 220 | MB  | 002B | 25   |
| 119.218  | 1316 304 150 | MAN | 006A | 38   | 123.208  | 1295 332 086 | IVE | 012B | 9    | 128.098  | 1315 301 220 | MB  | 003B | 24   |
| 119.218  | 1316 304 150 | MAN | 007A | 51   | 123.208  | 1295 332 086 | RVI | 014B | 10   | 128.098  | 1315 301 220 | MAN | 004B | 25   |
| 119.218  | 1316 304 150 | MAN | 008A | 51   | 123.208  | 1295 332 086 | RVI | 015B | 9    | 128.098  | 1315 301 220 | MAN | 005B | 25   |
| 119.218  | 1316 304 150 | IVE | 011A | 38   | 123.208  | 1295 332 086 | RVI | 016B | 9    | 128.098  | 1315 301 220 | MAN | 005B | 25   |
| 119.218  | 1316 304 150 | IVE | 012A | 51   | 123.208  | 1295 332 086 | RVI | 016B | 9    | 128.098  | 1315 301 220 | MAN | 006B | 24   |
| 119.218  | 1316 304 150 | IVE | 013A | 51   | 123.208  | 1295 332 086 | DAF | 018B | 10   | 128.098  | 1315 301 220 | IVE | 009B | 25   |

Date

03 / 2006

Table

Index

| Ref. CEI       | Ref. ZF      | OEM | Tav. Fig. | Ref. CEI       | Ref. ZF      | OEM | Tav. Fig. | Ref. CEI       | Ref. ZF      | OEM | Tav. Fig. |
|----------------|--------------|-----|-----------|----------------|--------------|-----|-----------|----------------|--------------|-----|-----------|
| 128.098        | 1315 301 220 | IVE | 009B 25   | <b>130.242</b> | 0750 117 010 | DAF | 022A 64   | 130.245        | 0750 116 002 | DAF | 019B 24   |
| 128.098        | 1315 301 220 | IVE | 010B 25   | <b>130.242</b> | 0750 117 010 | VOL | 024A 57   | 130.245        | 0750 116 002 | DAF | 020B 24   |
| 128.098        | 1315 301 220 | IVE | 010B 25   | <b>130.242</b> | 0750 117 010 | VOL | 025A 60   | 130.245        | 0750 116 002 | DAF | 021B 23   |
| 128.098        | 1315 301 220 | IVE | 011B 24   | 130.243        | 0750 117 008 | MB  | 001A 54   | 130.245        | 0750 116 002 | DAF | 022B 24   |
| 128.098        | 1315 301 220 | RVI | 014B 25   | 130.243        | 0750 117 008 | MB  | 002A 62   | 130.245        | 0750 116 002 | DAF | 023B 26   |
| 128.098        | 1315 301 220 | RVI | 015B 24   | 130.243        | 0750 117 008 | MAN | 004A 54   | 130.245        | 0750 116 002 | VOL | 024B 24   |
| 128.098        | 1315 301 220 | DAF | 019B 25   | 130.243        | 0750 117 008 | MAN | 005A 62   | 130.245        | 0750 116 002 | VOL | 025B 24   |
| 128.098        | 1315 301 220 | DAF | 019B 25   | 130.243        | 0750 117 008 | IVE | 009A 62   | <b>130.304</b> | 0750 117 678 | MB  | 003A 55   |
| 128.098        | 1315 301 220 | DAF | 020B 25   | 130.243        | 0750 117 008 | RVI | 014A 62   | <b>130.304</b> | 0750 117 678 | MAN | 006A 55   |
| 128.098        | 1315 301 220 | DAF | 021B 24   | 130.243        | 0750 117 008 | DAF | 018A 54   | <b>130.304</b> | 0750 117 678 | MAN | 007A 61   |
| 128.098        | 1315 301 220 | VOL | 024B 25   | 130.243        | 0750 117 008 | DAF | 019A 62   | <b>130.304</b> | 0750 117 678 | MAN | 008A 61   |
| 128.098        | 1315 301 220 | VOL | 025B 25   | 130.243        | 0750 117 008 | DAF | 020A 65   | <b>130.304</b> | 0750 117 678 | IVE | 011A 55   |
| 130.240        | 0750 118 153 | MB  | 001A 48   | 130.243        | 0750 117 008 | VOL | 024A 62   | <b>130.304</b> | 0750 117 678 | IVE | 012A 61   |
| 130.240        | 0750 118 153 | MB  | 001A 48   | 130.244        | 0750 116 166 | MB  | 001B 13   | <b>130.304</b> | 0750 117 678 | IVE | 013A 61   |
| 130.240        | 0750 118 153 | MB  | 002A 56   | 130.244        | 0750 116 166 | MB  | 002B 13   | <b>130.304</b> | 0750 117 678 | RVI | 016A 61   |
| 130.240        | 0750 118 153 | MB  | 002A 56   | 130.244        | 0750 116 166 | MB  | 002B 13   | <b>130.304</b> | 0750 117 678 | RVI | 017A 61   |
| 130.240        | 0750 118 153 | MAN | 004A 48   | 130.244        | 0750 116 166 | MAN | 004B 13   | <b>130.304</b> | 0750 117 678 | DAF | 021A 55   |
| 130.240        | 0750 118 153 | MAN | 005A 56   | 130.244        | 0750 116 166 | MAN | 005B 13   | <b>130.304</b> | 0750 117 678 | DAF | 022A 61   |
| 130.240        | 0750 118 153 | IVE | 009A 56   | 130.244        | 0750 116 166 | IVE | 009B 13   | <b>130.304</b> | 0750 117 678 | DAF | 023A 61   |
| 130.240        | 0750 118 153 | RVI | 014A 56   | 130.244        | 0750 116 166 | RVI | 014B 13   | 130.305        | 0750 118 131 | MB  | 001A 59   |
| 130.240        | 0750 118 153 | DAF | 018A 48   | 130.244        | 0750 116 166 | DAF | 019B 13   | 130.305        | 0750 118 131 | MB  | 002A 6    |
| 130.240        | 0750 118 153 | DAF | 019A 56   | 130.244        | 0750 116 166 | DAF | 019B 13   | 130.305        | 0750 118 131 | MAN | 004A 59   |
| 130.240        | 0750 118 153 | DAF | 019A 56   | 130.244        | 0750 116 166 | DAF | 020B 13   | 130.305        | 0750 118 131 | MAN | 005A 6    |
| 130.240        | 0750 118 153 | DAF | 020A 59   | 130.244        | 0750 116 166 | DAF | 020B 13   | 130.305        | 0750 118 131 | IVE | 009A 6    |
| 130.240        | 0750 118 153 | DAF | 020A 59   | 130.244        | 0750 116 166 | VOL | 024B 13   | 130.305        | 0750 118 131 | IVE | 010A 6    |
| 130.240        | 0750 118 153 | VOL | 024A 56   | 130.245        | 0750 116 002 | MB  | 001B 24   | 130.305        | 0750 118 131 | RVI | 014A 6    |
| <b>130.242</b> | 0750 117 010 | MB  | 001A 49   | 130.245        | 0750 116 002 | MB  | 002B 24   | 130.305        | 0750 118 131 | DAF | 018A 59   |
| <b>130.242</b> | 0750 117 010 | MB  | 002A 57   | 130.245        | 0750 116 002 | MB  | 003B 23   | 130.305        | 0750 118 131 | DAF | 019A 6    |
| <b>130.242</b> | 0750 117 010 | MAN | 004A 49   | 130.245        | 0750 116 002 | MAN | 004B 24   | 130.305        | 0750 118 131 | DAF | 020A 6    |
| <b>130.242</b> | 0750 117 010 | MAN | 005A 57   | 130.245        | 0750 116 002 | MAN | 005B 24   | 130.305        | 0750 118 131 | VOL | 024A 6    |
| <b>130.242</b> | 0750 117 010 | MAN | 006A 57   | 130.245        | 0750 116 002 | MAN | 006B 23   | 130.305        | 0750 118 131 | VOL | 025A 6    |
| <b>130.242</b> | 0750 117 010 | MAN | 007A 64   | 130.245        | 0750 116 002 | MAN | 007B 24   | <b>130.306</b> | 0750 117 431 | MB  | 003A 6    |
| <b>130.242</b> | 0750 117 010 | IVE | 009A 57   | 130.245        | 0750 116 002 | MAN | 008B 26   | <b>130.306</b> | 0750 117 431 | MAN | 006A 6    |
| <b>130.242</b> | 0750 117 010 | IVE | 010A 60   | 130.245        | 0750 116 002 | IVE | 009B 24   | <b>130.306</b> | 0750 117 431 | MAN | 007A 15   |
| <b>130.242</b> | 0750 117 010 | IVE | 011A 57   | 130.245        | 0750 116 002 | IVE | 010B 24   | <b>130.306</b> | 0750 117 431 | IVE | 011A 6    |
| <b>130.242</b> | 0750 117 010 | IVE | 012A 64   | 130.245        | 0750 116 002 | IVE | 011B 23   | <b>130.306</b> | 0750 117 431 | IVE | 012A 15   |
| <b>130.242</b> | 0750 117 010 | RVI | 014A 57   | 130.245        | 0750 116 002 | IVE | 012B 24   | <b>130.306</b> | 0750 117 431 | RVI | 015A 6    |
| <b>130.242</b> | 0750 117 010 | RVI | 015A 57   | 130.245        | 0750 116 002 | IVE | 013B 26   | <b>130.306</b> | 0750 117 431 | RVI | 016A 15   |
| <b>130.242</b> | 0750 117 010 | RVI | 016A 64   | 130.245        | 0750 116 002 | RVI | 014B 24   | <b>130.306</b> | 0750 117 431 | DAF | 021A 6    |
| <b>130.242</b> | 0750 117 010 | DAF | 018A 49   | 130.245        | 0750 116 002 | RVI | 015B 23   | <b>130.306</b> | 0750 117 431 | DAF | 022A 15   |
| <b>130.242</b> | 0750 117 010 | DAF | 019A 57   | 130.245        | 0750 116 002 | RVI | 016B 24   | <b>130.307</b> | 0750 117 011 | MB  | 001A 54   |
| <b>130.242</b> | 0750 117 010 | DAF | 020A 60   | 130.245        | 0750 116 002 | RVI | 017B 26   | <b>130.307</b> | 0750 117 011 | MB  | 002A 62   |
| <b>130.242</b> | 0750 117 010 | DAF | 021A 57   | 130.245        | 0750 116 002 | DAF | 018B 24   | <b>130.307</b> | 0750 117 011 | MAN | 004A 54   |

All original equipment manufacturers numbers, symbols, pictures, models and description used in this catalogue are for reference only, and it is not implied that any part listed is the product of these manufacturers. Tutti i nostri particolari non sono originali ma con essi intercambiabili. I riferimenti originali, le figure, i modelli sono esposti a semplice titolo indicativo. La nostra produzione riporta il nostro marchio.



# CEI Index

| Ref. CEI | Ref. ZF      | OEM | Tav. Fig. | Ref. CEI | Ref. ZF      | OEM | Tav. Fig. | Ref. CEI | Ref. ZF      | OEM | Tav. Fig. |
|----------|--------------|-----|-----------|----------|--------------|-----|-----------|----------|--------------|-----|-----------|
| 130.307  | 0750 117 011 | MAN | 006A 62   | 130.308  | 0750 117 009 | DAF | 022A 64   | 130.310  | 0750 116 165 | VOL | 024B 13   |
| 130.307  | 0750 117 011 | MAN | 007A 69   | 130.308  | 0750 117 009 | DAF | 022A 64   | 130.310  | 0750 116 165 | VOL | 025B 13   |
| 130.307  | 0750 117 011 | MAN | 008A 69   | 130.308  | 0750 117 009 | DAF | 022A 69   | 130.311  | 0635 338 035 | MB  | 002B 13   |
| 130.307  | 0750 117 011 | IVE | 011A 62   | 130.308  | 0750 117 009 | DAF | 023A 64   | 130.311  | 0635 338 035 | MB  | 003B 13   |
| 130.307  | 0750 117 011 | IVE | 012A 69   | 130.308  | 0750 117 009 | DAF | 023A 69   | 130.311  | 0635 338 035 | MAN | 005B 13   |
| 130.307  | 0750 117 011 | IVE | 013A 69   | 130.308  | 0750 117 009 | VOL | 024A 62   | 130.311  | 0635 338 035 | MAN | 006B 13   |
| 130.307  | 0750 117 011 | RVI | 015A 62   | 130.308  | 0750 117 009 | VOL | 025A 65   | 130.311  | 0635 338 035 | MAN | 007B 13   |
| 130.307  | 0750 117 011 | RVI | 016A 69   | 130.309  | 0750 117 677 | MAN | 006A 55   | 130.311  | 0635 338 035 | IVE | 009B 13   |
| 130.307  | 0750 117 011 | RVI | 017A 69   | 130.309  | 0750 117 677 | MAN | 007A 61   | 130.311  | 0635 338 035 | IVE | 010B 13   |
| 130.307  | 0750 117 011 | DAF | 019A 62   | 130.309  | 0750 117 677 | MAN | 008A 61   | 130.311  | 0635 338 035 | IVE | 011B 13   |
| 130.307  | 0750 117 011 | DAF | 020A 65   | 130.309  | 0750 117 677 | IVE | 011A 55   | 130.311  | 0635 338 035 | IVE | 012B 13   |
| 130.307  | 0750 117 011 | DAF | 021A 62   | 130.309  | 0750 117 677 | IVE | 012A 61   | 130.311  | 0635 338 035 | RVI | 016B 13   |
| 130.307  | 0750 117 011 | DAF | 022A 69   | 130.309  | 0750 117 677 | IVE | 013A 61   | 130.311  | 0635 338 035 | DAF | 019B 13   |
| 130.307  | 0750 117 011 | DAF | 023A 69   | 130.309  | 0750 117 677 | RVI | 015A 55   | 130.311  | 0635 338 035 | DAF | 021B 13   |
| 130.308  | 0750 117 009 | MB  | 002A 62   | 130.309  | 0750 117 677 | RVI | 016A 61   | 130.311  | 0635 338 035 | DAF | 022B 13   |
| 130.308  | 0750 117 009 | MB  | 003A 57   | 130.309  | 0750 117 677 | RVI | 017A 61   | 130.312  | 0735 298 169 | MAN | 008B 14   |
| 130.308  | 0750 117 009 | MB  | 003A 62   | 130.309  | 0750 117 677 | DAF | 021A 55   | 130.312  | 0735 298 169 | IVE | 013B 14   |
| 130.308  | 0750 117 009 | MAN | 005A 62   | 130.309  | 0750 117 677 | DAF | 022A 61   | 130.312  | 0735 298 169 | RVI | 017B 14   |
| 130.308  | 0750 117 009 | MAN | 006A 57   | 130.309  | 0750 117 677 | DAF | 023A 61   | 130.312  | 0735 298 169 | DAF | 023B 14   |
| 130.308  | 0750 117 009 | MAN | 006A 62   | 130.310  | 0750 116 165 | MB  | 001B 13   | 130.517  | 0750 118 007 | MB  | 002A 6    |
| 130.308  | 0750 117 009 | MAN | 007A 64   | 130.310  | 0750 116 165 | MB  | 002B 13   | 130.518  | 0750 117 732 | MAN | 007A 19   |
| 130.308  | 0750 117 009 | MAN | 007A 64   | 130.310  | 0750 116 165 | MB  | 002B 13   | 130.518  | 0750 117 732 | MAN | 008A 16   |
| 130.308  | 0750 117 009 | MAN | 007A 69   | 130.310  | 0750 116 165 | MAN | 004B 13   | 130.518  | 0750 117 732 | IVE | 012A 19   |
| 130.308  | 0750 117 009 | MAN | 008A 64   | 130.310  | 0750 116 165 | MAN | 005B 13   | 130.518  | 0750 117 732 | IVE | 013A 16   |
| 130.308  | 0750 117 009 | MAN | 008A 69   | 130.310  | 0750 116 165 | MAN | 005B 13   | 130.518  | 0750 117 732 | IVE | 013A 16   |
| 130.308  | 0750 117 009 | MAN | 008A 69   | 130.310  | 0750 116 165 | MAN | 005B 13   | 130.518  | 0750 117 732 | RVI | 016A 19   |
| 130.308  | 0750 117 009 | IVE | 009A 62   | 130.310  | 0750 116 165 | MAN | 006B 13   | 130.518  | 0750 117 732 | RVI | 017A 16   |
| 130.308  | 0750 117 009 | IVE | 010A 65   | 130.310  | 0750 116 165 | MAN | 007B 13   | 130.518  | 0750 117 732 | DAF | 022A 19   |
| 130.308  | 0750 117 009 | IVE | 011A 57   | 130.310  | 0750 116 165 | IVE | 009B 13   | 130.518  | 0750 117 732 | DAF | 023A 16   |
| 130.308  | 0750 117 009 | IVE | 011A 62   | 130.310  | 0750 116 165 | IVE | 009B 13   | 130.519  | 0735 371 604 | MAN | 008A 64   |
| 130.308  | 0750 117 009 | IVE | 012A 64   | 130.310  | 0750 116 165 | IVE | 010B 13   | 130.519  | 0735 371 604 | MAN | 008A 69   |
| 130.308  | 0750 117 009 | IVE | 012A 64   | 130.310  | 0750 116 165 | IVE | 011B 13   | 130.519  | 0735 371 604 | RVI | 017A 64   |
| 130.308  | 0750 117 009 | IVE | 012A 69   | 130.310  | 0750 116 165 | IVE | 012B 13   | 130.519  | 0735 371 604 | RVI | 017A 69   |
| 130.308  | 0750 117 009 | IVE | 013A 64   | 130.310  | 0750 116 165 | IVE | 012B 13   | 130.519  | 0735 371 604 | RVI | 017A 69   |
| 130.308  | 0750 117 009 | IVE | 013A 69   | 130.310  | 0750 116 165 | RVI | 014B 13   | 130.519  | 0735 371 604 | DAF | 023A 64   |
| 130.308  | 0750 117 009 | RVI | 016A 64   | 130.310  | 0750 116 165 | RVI | 015B 13   | 130.519  | 0735 371 604 | DAF | 023A 69   |
| 130.308  | 0750 117 009 | RVI | 016A 64   | 130.310  | 0750 116 165 | RVI | 016B 13   | 132.046  | 1296 312 042 | MB  | 001B 35   |
| 130.308  | 0750 117 009 | RVI | 016A 69   | 130.310  | 0750 116 165 | DAF | 018B 13   | 132.046  | 1296 312 042 | MB  | 002B 35   |
| 130.308  | 0750 117 009 | RVI | 017A 64   | 130.310  | 0750 116 165 | DAF | 019B 13   | 132.046  | 1296 312 042 | MB  | 003B 35   |
| 130.308  | 0750 117 009 | RVI | 017A 69   | 130.310  | 0750 116 165 | DAF | 019B 13   | 132.046  | 1296 312 042 | MAN | 004B 35   |
| 130.308  | 0750 117 009 | RVI | 017A 69   | 130.310  | 0750 116 165 | DAF | 020B 13   | 132.046  | 1296 312 042 | MAN | 005B 35   |
| 130.308  | 0750 117 009 | DAF | 019A 62   | 130.310  | 0750 116 165 | DAF | 020B 13   | 132.046  | 1296 312 042 | MAN | 006B 35   |
| 130.308  | 0750 117 009 | DAF | 020A 65   | 130.310  | 0750 116 165 | DAF | 020B 13   | 132.046  | 1296 312 042 | MAN | 006B 35   |
| 130.308  | 0750 117 009 | DAF | 021A 57   | 130.310  | 0750 116 165 | DAF | 021B 13   | 132.046  | 1296 312 042 | IVE | 009B 35   |
| 130.308  | 0750 117 009 | DAF | 021A 62   | 130.310  | 0750 116 165 | DAF | 022B 13   | 132.046  | 1296 312 042 | IVE | 010B 36   |
| 130.310  | 0750 116 165 | MB  | 001B 13   | 130.310  | 0750 116 165 | VOL | 024B 13   | 132.046  | 1296 312 042 | IVE | 011B 35   |
| 130.310  | 0750 116 165 | MB  | 002B 13   |          |              |     |           |          |              |     |           |
| 130.310  | 0750 116 165 | MAN | 004B 13   |          |              |     |           |          |              |     |           |
| 130.310  | 0750 116 165 | MAN | 005B 13   |          |              |     |           |          |              |     |           |
| 130.310  | 0750 116 165 | MAN | 005B 13   |          |              |     |           |          |              |     |           |
| 130.310  | 0750 116 165 | MAN | 006B 13   |          |              |     |           |          |              |     |           |
| 130.310  | 0750 116 165 | MAN | 007B 13   |          |              |     |           |          |              |     |           |
| 130.310  | 0750 116 165 | IVE | 009B 13   |          |              |     |           |          |              |     |           |
| 130.310  | 0750 116 165 | IVE | 009B 13   |          |              |     |           |          |              |     |           |
| 130.310  | 0750 116 165 | IVE | 010B 13   |          |              |     |           |          |              |     |           |
| 130.310  | 0750 116 165 | IVE | 011B 13   |          |              |     |           |          |              |     |           |
| 130.310  | 0750 116 165 | IVE | 012B 13   |          |              |     |           |          |              |     |           |
| 130.310  | 0750 116 165 | RVI | 014B 13   |          |              |     |           |          |              |     |           |
| 130.310  | 0750 116 165 | RVI | 015B 13   |          |              |     |           |          |              |     |           |
| 130.310  | 0750 116 165 | RVI | 016B 13   |          |              |     |           |          |              |     |           |
| 130.310  | 0750 116 165 | DAF | 018B 13   |          |              |     |           |          |              |     |           |
| 130.310  | 0750 116 165 | DAF | 019B 13   |          |              |     |           |          |              |     |           |
| 130.310  | 0750 116 165 | DAF | 019B 13   |          |              |     |           |          |              |     |           |
| 130.310  | 0750 116 165 | DAF | 020B 13   |          |              |     |           |          |              |     |           |
| 130.310  | 0750 116 165 | DAF | 020B 13   |          |              |     |           |          |              |     |           |
| 130.310  | 0750 116 165 | DAF | 021B 13   |          |              |     |           |          |              |     |           |
| 130.310  | 0750 116 165 | DAF | 021B 13   |          |              |     |           |          |              |     |           |
| 130.310  | 0750 116 165 | DAF | 022B 13   |          |              |     |           |          |              |     |           |
| 130.310  | 0750 116 165 | DAF | 022B 13   |          |              |     |           |          |              |     |           |
| 130.310  | 0750 116 165 | VOL | 024B 13   |          |              |     |           |          |              |     |           |

Date

03 / 2006

Table

Index

| Ref. CEI       | Ref. ZF      | OEM | Tav. | Fig. | Ref. CEI       | Ref. ZF      | OEM | Tav. | Fig. | Ref. CEI       | Ref. ZF      | OEM | Tav. | Fig. |
|----------------|--------------|-----|------|------|----------------|--------------|-----|------|------|----------------|--------------|-----|------|------|
| 132.046        | 1296 312 042 | RVI | 014B | 35   | 135.128        | CEI 135128   | RVI | 015B | 52   | 137.083        | 0750 118 005 | MAN | 004A | 25   |
| 132.046        | 1296 312 042 | RVI | 015B | 35   | 135.128        | CEI 135128   | DAF | 018B | 51   | 137.083        | 0750 118 005 | MAN | 005A | 29   |
| 132.046        | 1296 312 042 | DAF | 018B | 35   | 135.128        | CEI 135128   | DAF | 019B | 53   | 137.083        | 0750 118 005 | IVE | 009A | 29   |
| 132.046        | 1296 312 042 | DAF | 019B | 35   | 135.128        | CEI 135128   | DAF | 020B | 53   | 137.083        | 0750 118 005 | RVI | 014A | 29   |
| 132.046        | 1296 312 042 | DAF | 020B | 36   | 135.128        | CEI 135128   | DAF | 021B | 52   | 137.083        | 0750 118 005 | DAF | 018A | 25   |
| 132.046        | 1296 312 042 | DAF | 021B | 35   | 135.128        | CEI 135128   | VOL | 024B | 53   | 137.083        | 0750 118 005 | DAF | 019A | 29   |
| 132.046        | 1296 312 042 | VOL | 024B | 35   | 135.128        | CEI 135128   | VOL | 025B | 53   | 137.083        | 0750 118 005 | DAF | 020A | 29   |
| 132.046        | 1296 312 042 | VOL | 025B | 36   | <b>137.007</b> | 0750 115 011 | MB  | 001A | 56   | 137.083        | 0750 118 005 | VOL | 024A | 29   |
| <b>132.047</b> | 1295 334 075 | MB  | 001B | 45   | <b>137.007</b> | 0750 115 011 | MB  | 002A | 64   | <b>137.084</b> | 0735 320 418 | MB  | 001A | 30   |
| <b>132.047</b> | 1295 334 075 | MB  | 002B | 45   | <b>137.007</b> | 0750 115 011 | MAN | 004A | 56   | <b>137.084</b> | 0735 320 418 | MB  | 002A | 36   |
| <b>132.047</b> | 1295 334 075 | MB  | 003B | 44   | <b>137.007</b> | 0750 115 011 | MAN | 005A | 64   | <b>137.084</b> | 0735 320 418 | MB  | 002A | 38   |
| <b>132.047</b> | 1295 334 075 | MAN | 004B | 45   | <b>137.007</b> | 0750 115 011 | MAN | 006A | 64   | <b>137.084</b> | 0735 320 418 | MAN | 004A | 30   |
| <b>132.047</b> | 1295 334 075 | MAN | 005B | 45   | <b>137.007</b> | 0750 115 011 | IVE | 009A | 64   | <b>137.084</b> | 0735 320 418 | MAN | 005A | 36   |
| <b>132.047</b> | 1295 334 075 | MAN | 006B | 44   | <b>137.007</b> | 0750 115 011 | IVE | 010A | 67   | <b>137.084</b> | 0735 320 418 | MAN | 005A | 38   |
| <b>132.047</b> | 1295 334 075 | IVE | 009B | 45   | <b>137.007</b> | 0750 115 011 | IVE | 011A | 64   | <b>137.084</b> | 0735 320 418 | IVE | 009A | 36   |
| <b>132.047</b> | 1295 334 075 | IVE | 010B | 46   | <b>137.007</b> | 0750 115 011 | RVI | 014A | 64   | <b>137.084</b> | 0735 320 418 | IVE | 009A | 38   |
| <b>132.047</b> | 1295 334 075 | IVE | 011B | 44   | <b>137.007</b> | 0750 115 011 | RVI | 015A | 64   | <b>137.084</b> | 0735 320 418 | RVI | 014A | 36   |
| <b>132.047</b> | 1295 334 075 | RVI | 014B | 45   | <b>137.007</b> | 0750 115 011 | DAF | 018A | 56   | <b>137.084</b> | 0735 320 418 | RVI | 014A | 38   |
| <b>132.047</b> | 1295 334 075 | RVI | 015B | 44   | <b>137.007</b> | 0750 115 011 | DAF | 019A | 64   | <b>137.084</b> | 0735 320 418 | DAF | 018A | 30   |
| <b>132.047</b> | 1295 334 075 | DAF | 018B | 45   | <b>137.007</b> | 0750 115 011 | DAF | 020A | 67   | <b>137.084</b> | 0735 320 418 | DAF | 019A | 36   |
| <b>132.047</b> | 1295 334 075 | DAF | 019B | 45   | <b>137.007</b> | 0750 115 011 | DAF | 021A | 64   | <b>137.084</b> | 0735 320 418 | DAF | 019A | 38   |
| <b>132.047</b> | 1295 334 075 | DAF | 020B | 46   | <b>137.007</b> | 0750 115 011 | VOL | 024A | 64   | <b>137.084</b> | 0735 320 418 | DAF | 020A | 38   |
| <b>132.047</b> | 1295 334 075 | DAF | 021B | 44   | <b>137.007</b> | 0750 115 011 | VOL | 025A | 67   | <b>137.084</b> | 0735 320 418 | DAF | 020A | 40   |
| <b>132.047</b> | 1295 334 075 | VOL | 024B | 45   | 137.081        | 0750 118 010 | MB  | 001A | 23   | <b>137.084</b> | 0735 320 418 | VOL | 024A | 36   |
| <b>132.047</b> | 1295 334 075 | VOL | 025B | 46   | 137.081        | 0750 118 010 | MB  | 002A | 27   | <b>137.084</b> | 0735 320 418 | VOL | 024A | 38   |
| <b>135.122</b> | 1296 333 046 | MAN | 007B | 54   | 137.081        | 0750 118 010 | MAN | 004A | 23   | <b>137.085</b> | 0735 320 496 | MB  | 002A | 44   |
| <b>135.122</b> | 1296 333 046 | MAN | 008B | 15   | 137.081        | 0750 118 010 | MAN | 005A | 27   | <b>137.085</b> | 0735 320 496 | MAN | 005A | 44   |
| <b>135.122</b> | 1296 333 046 | IVE | 012B | 54   | 137.081        | 0750 118 010 | IVE | 009A | 27   | <b>137.085</b> | 0735 320 496 | IVE | 009A | 44   |
| <b>135.122</b> | 1296 333 046 | IVE | 013B | 15   | 137.081        | 0750 118 010 | RVI | 014A | 27   | <b>137.085</b> | 0735 320 496 | RVI | 014A | 44   |
| <b>135.122</b> | 1296 333 046 | RVI | 016B | 54   | 137.081        | 0750 118 010 | DAF | 019A | 27   | <b>137.085</b> | 0735 320 496 | DAF | 019A | 44   |
| <b>135.122</b> | 1296 333 046 | RVI | 017B | 15   | 137.081        | 0750 118 010 | DAF | 020A | 27   | <b>137.085</b> | 0735 320 496 | DAF | 020A | 46   |
| <b>135.122</b> | 1296 333 046 | DAF | 022B | 54   | 137.081        | 0750 118 010 | VOL | 024A | 27   | <b>137.085</b> | 0735 320 496 | VOL | 024A | 44   |
| <b>135.122</b> | 1296 333 046 | DAF | 023B | 15   | <b>137.082</b> | 0735 320 786 | MB  | 001A | 11   | <b>137.086</b> | 0750 115 059 | MB  | 001A | 40   |
| 135.128        | CEI 135128   | MB  | 001B | 51   | <b>137.082</b> | 0735 320 786 | MB  | 002A | 7    | <b>137.086</b> | 0750 115 059 | MB  | 002A | 48   |
| 135.128        | CEI 135128   | MB  | 002B | 53   | <b>137.082</b> | 0735 320 786 | MAN | 004A | 11   | <b>137.086</b> | 0750 115 059 | MAN | 004A | 40   |
| 135.128        | CEI 135128   | MB  | 003B | 52   | <b>137.082</b> | 0735 320 786 | MAN | 005A | 7    | <b>137.086</b> | 0750 115 059 | MAN | 005A | 48   |
| 135.128        | CEI 135128   | MAN | 004B | 51   | <b>137.082</b> | 0735 320 786 | IVE | 009A | 7    | <b>137.086</b> | 0750 115 059 | IVE | 009A | 48   |
| 135.128        | CEI 135128   | MAN | 005B | 53   | <b>137.082</b> | 0735 320 786 | RVI | 014A | 7    | <b>137.086</b> | 0750 115 059 | RVI | 014A | 48   |
| 135.128        | CEI 135128   | MAN | 006B | 52   | <b>137.082</b> | 0735 320 786 | DAF | 019A | 7    | <b>137.086</b> | 0750 115 059 | DAF | 019A | 48   |
| 135.128        | CEI 135128   | IVE | 009B | 53   | <b>137.082</b> | 0735 320 786 | DAF | 020A | 7    | <b>137.086</b> | 0750 115 059 | DAF | 020A | 51   |
| 135.128        | CEI 135128   | IVE | 010B | 53   | <b>137.082</b> | 0735 320 786 | VOL | 024A | 7    | <b>137.086</b> | 0750 115 059 | VOL | 024A | 48   |
| 135.128        | CEI 135128   | IVE | 011B | 52   | 137.083        | 0750 118 005 | MB  | 001A | 25   | <b>137.109</b> | 0735 320 452 | MB  | 002A | 38   |
| 135.128        | CEI 135128   | RVI | 014B | 53   | 137.083        | 0750 118 005 | MB  | 002A | 29   | <b>137.109</b> | 0735 320 452 | MAN | 005A | 38   |

Date

03 / 2006

Table

Index

# CEI Index

| Ref. CEI | Ref. ZF      | OEM | Tav. Fig. | Ref. CEI | Ref. ZF      | OEM | Tav. Fig. | Ref. CEI | Ref. ZF      | OEM | Tav. Fig. |
|----------|--------------|-----|-----------|----------|--------------|-----|-----------|----------|--------------|-----|-----------|
| 137.109  | 0735 320 452 | IVE | 009A 38   | 137.113  | 0750 118 038 | MAN | 004A 23   | 137.137  | 0735 321 087 | IVE | 012A 40   |
| 137.109  | 0735 320 452 | IVE | 010A 40   | 137.113  | 0750 118 038 | MAN | 005A 27   | 137.137  | 0735 321 087 | IVE | 013A 40   |
| 137.109  | 0735 320 452 | DAF | 019A 38   | 137.113  | 0750 118 038 | IVE | 009A 27   | 137.137  | 0735 321 087 | RVI | 015A 32   |
| 137.109  | 0735 320 452 | DAF | 020A 40   | 137.113  | 0750 118 038 | IVE | 010A 27   | 137.137  | 0735 321 087 | RVI | 015A 35   |
| 137.109  | 0735 320 452 | VOL | 024A 38   | 137.113  | 0750 118 038 | DAF | 018A 23   | 137.137  | 0735 321 087 | RVI | 016A 40   |
| 137.109  | 0735 320 452 | VOL | 025A 40   | 137.113  | 0750 118 038 | DAF | 019A 27   | 137.137  | 0735 321 087 | RVI | 017A 40   |
| 137.110  | 0735 320 487 | MB  | 002A 44   | 137.113  | 0750 118 038 | DAF | 020A 27   | 137.137  | 0735 321 087 | DAF | 021A 32   |
| 137.110  | 0735 320 487 | MAN | 005A 44   | 137.113  | 0750 118 038 | VOL | 024A 27   | 137.137  | 0735 321 087 | DAF | 021A 35   |
| 137.110  | 0735 320 487 | IVE | 009A 44   | 137.113  | 0750 118 038 | VOL | 025A 27   | 137.137  | 0735 321 087 | DAF | 022A 40   |
| 137.110  | 0735 320 487 | IVE | 010A 46   | 137.133  | 0735 321 437 | MAN | 007A 16   | 137.137  | 0735 321 087 | DAF | 023A 40   |
| 137.110  | 0735 320 487 | DAF | 019A 44   | 137.133  | 0735 321 437 | IVE | 012A 16   | 137.138  | 0750 115 303 | MB  | 003A 32   |
| 137.110  | 0735 320 487 | DAF | 020A 46   | 137.133  | 0735 321 437 | RVI | 016A 16   | 137.138  | 0750 115 303 | MB  | 003A 35   |
| 137.110  | 0735 320 487 | VOL | 024A 44   | 137.133  | 0735 321 437 | DAF | 022A 16   | 137.138  | 0750 115 303 | MAN | 006A 32   |
| 137.110  | 0735 320 487 | VOL | 025A 46   | 137.134  | 0735 321 438 | MB  | 003A 7    | 137.138  | 0750 115 303 | MAN | 006A 35   |
| 137.111  | 0735 320 486 | MB  | 001A 40   | 137.134  | 0735 321 438 | MAN | 006A 7    | 137.138  | 0750 115 303 | MAN | 007A 40   |
| 137.111  | 0735 320 486 | MB  | 002A 48   | 137.134  | 0735 321 438 | MAN | 007A 16   | 137.138  | 0750 115 303 | MAN | 008A 40   |
| 137.111  | 0735 320 486 | MAN | 004A 40   | 137.134  | 0735 321 438 | IVE | 011A 7    | 137.138  | 0750 115 303 | IVE | 011A 32   |
| 137.111  | 0735 320 486 | MAN | 005A 48   | 137.134  | 0735 321 438 | IVE | 012A 16   | 137.138  | 0750 115 303 | IVE | 011A 35   |
| 137.111  | 0735 320 486 | IVE | 009A 48   | 137.134  | 0735 321 438 | RVI | 016A 16   | 137.138  | 0750 115 303 | IVE | 012A 40   |
| 137.111  | 0735 320 486 | IVE | 010A 51   | 137.134  | 0735 321 438 | DAF | 021A 7    | 137.138  | 0750 115 303 | IVE | 013A 40   |
| 137.111  | 0735 320 486 | DAF | 018A 40   | 137.134  | 0735 321 438 | DAF | 022A 16   | 137.138  | 0750 115 303 | RVI | 016A 40   |
| 137.111  | 0735 320 486 | DAF | 019A 48   | 137.135  | 0750 115 366 | MAN | 007A 70   | 137.138  | 0750 115 303 | RVI | 017A 40   |
| 137.111  | 0735 320 486 | DAF | 020A 51   | 137.135  | 0750 115 366 | MAN | 008A 70   | 137.138  | 0750 115 303 | DAF | 021A 32   |
| 137.111  | 0735 320 486 | VOL | 024A 48   | 137.135  | 0750 115 366 | IVE | 012A 70   | 137.138  | 0750 115 303 | DAF | 021A 35   |
| 137.111  | 0735 320 486 | VOL | 025A 51   | 137.135  | 0750 115 366 | IVE | 013A 70   | 137.138  | 0750 115 303 | DAF | 022A 40   |
| 137.112  | 0735 320 451 | MB  | 002A 36   | 137.135  | 0750 115 366 | RVI | 016A 70   | 137.138  | 0750 115 303 | DAF | 023A 40   |
| 137.112  | 0735 320 451 | MB  | 002A 38   | 137.135  | 0750 115 366 | RVI | 017A 70   | 137.139  | 0735 320 799 | MB  | 002A 7    |
| 137.112  | 0735 320 451 | MAN | 005A 36   | 137.135  | 0750 115 366 | DAF | 022A 70   | 137.139  | 0735 320 799 | DAF | 019A 7    |
| 137.112  | 0735 320 451 | MAN | 005A 38   | 137.135  | 0750 115 366 | DAF | 023A 70   | 137.139  | 0735 320 799 | DAF | 020A 7    |
| 137.112  | 0735 320 451 | MAN | 006A 32   | 137.136  | 0750 115 531 | MAN | 007A 30   | 137.140  | 0750 115 326 | MB  | 003A 53   |
| 137.112  | 0735 320 451 | IVE | 009A 36   | 137.136  | 0750 115 531 | MAN | 008A 30   | 137.140  | 0750 115 326 | MAN | 006A 53   |
| 137.112  | 0735 320 451 | IVE | 009A 38   | 137.136  | 0750 115 531 | IVE | 012A 30   | 137.140  | 0750 115 326 | MAN | 007A 59   |
| 137.112  | 0735 320 451 | IVE | 010A 38   | 137.136  | 0750 115 531 | IVE | 013A 30   | 137.140  | 0750 115 326 | MAN | 008A 59   |
| 137.112  | 0735 320 451 | RVI | 014A 38   | 137.136  | 0750 115 531 | RVI | 016A 30   | 137.140  | 0750 115 326 | IVE | 011A 53   |
| 137.112  | 0735 320 451 | DAF | 019A 36   | 137.136  | 0750 115 531 | RVI | 017A 30   | 137.140  | 0750 115 326 | IVE | 012A 59   |
| 137.112  | 0735 320 451 | DAF | 019A 38   | 137.136  | 0750 115 531 | DAF | 022A 30   | 137.140  | 0750 115 326 | IVE | 013A 59   |
| 137.112  | 0735 320 451 | DAF | 020A 38   | 137.136  | 0750 115 531 | DAF | 023A 30   | 137.140  | 0750 115 326 | RVI | 016A 59   |
| 137.112  | 0735 320 451 | DAF | 020A 40   | 137.137  | 0735 321 087 | MAN | 006A 32   | 137.140  | 0750 115 326 | RVI | 017A 59   |
| 137.112  | 0735 320 451 | VOL | 024A 36   | 137.137  | 0735 321 087 | MAN | 006A 35   | 137.140  | 0750 115 326 | DAF | 021A 53   |
| 137.112  | 0735 320 451 | VOL | 024A 38   | 137.137  | 0735 321 087 | MAN | 007A 40   | 137.140  | 0750 115 326 | DAF | 022A 59   |
| 137.112  | 0735 320 451 | VOL | 025A 38   | 137.137  | 0735 321 087 | MAN | 008A 40   | 137.140  | 0750 115 326 | DAF | 023A 59   |
| 137.113  | 0750 118 038 | MB  | 001A 23   | 137.137  | 0735 321 087 | IVE | 011A 32   | 137.148  | 0750 115 310 | MAN | 006A 7    |
| 137.113  | 0750 118 038 | MB  | 002A 27   | 137.137  | 0735 321 087 | IVE | 011A 35   | 137.148  | 0750 115 310 | MAN | 007A 16   |

Date

03 / 2006

Table

Index

| Ref. CEI | Ref. ZF      | OEM | Tav. | Fig. | Ref. CEI | Ref. ZF      | OEM | Tav. | Fig. | Ref. CEI | Ref. ZF      | OEM | Tav. | Fig. |
|----------|--------------|-----|------|------|----------|--------------|-----|------|------|----------|--------------|-----|------|------|
| 137.148  | 0750 115 310 | IVE | 011A | 7    | 137.153  | 0735 320 896 | IVE | 009A | 7    | 137.159  | 0735 320 548 | DAF | 020A | 46   |
| 137.148  | 0750 115 310 | IVE | 012A | 16   | 137.153  | 0735 320 896 | IVE | 010A | 7    | 137.159  | 0735 320 548 | VOL | 024A | 44   |
| 137.148  | 0750 115 310 | RVI | 015A | 7    | 137.153  | 0735 320 896 | DAF | 018A | 11   | 137.160  | 0750 115 325 | MAN | 006A | 48   |
| 137.148  | 0750 115 310 | RVI | 016A | 16   | 137.153  | 0735 320 896 | DAF | 019A | 7    | 137.160  | 0750 115 325 | MAN | 007A | 54   |
| 137.148  | 0750 115 310 | DAF | 021A | 7    | 137.153  | 0735 320 896 | DAF | 020A | 7    | 137.160  | 0750 115 325 | MAN | 008A | 54   |
| 137.148  | 0750 115 310 | DAF | 022A | 16   | 137.153  | 0735 320 896 | VOL | 024A | 7    | 137.160  | 0750 115 325 | IVE | 011A | 48   |
| 137.149  | 0750 115 369 | MAN | 007A | 70   | 137.153  | 0735 320 896 | VOL | 025A | 7    | 137.160  | 0750 115 325 | IVE | 012A | 54   |
| 137.149  | 0750 115 369 | MAN | 008A | 70   | 137.154  | 0750 115 255 | MB  | 003A | 64   | 137.160  | 0750 115 325 | IVE | 013A | 54   |
| 137.149  | 0750 115 369 | IVE | 012A | 70   | 137.154  | 0750 115 255 | MAN | 006A | 64   | 137.160  | 0750 115 325 | RVI | 015A | 48   |
| 137.149  | 0750 115 369 | IVE | 013A | 70   | 137.154  | 0750 115 255 | IVE | 011A | 64   | 137.160  | 0750 115 325 | RVI | 016A | 54   |
| 137.149  | 0750 115 369 | RVI | 016A | 70   | 137.154  | 0750 115 255 | DAF | 021A | 64   | 137.160  | 0750 115 325 | RVI | 017A | 54   |
| 137.149  | 0750 115 369 | RVI | 017A | 70   | 137.155  | 0750 118 012 | MB  | 002A | 29   | 137.160  | 0750 115 325 | DAF | 021A | 48   |
| 137.149  | 0750 115 369 | DAF | 022A | 70   | 137.155  | 0750 118 012 | DAF | 019A | 29   | 137.160  | 0750 115 325 | DAF | 022A | 54   |
| 137.149  | 0750 115 369 | DAF | 023A | 70   | 137.155  | 0750 118 012 | DAF | 020A | 29   | 137.160  | 0750 115 325 | DAF | 023A | 54   |
| 137.150  | 0750 117 232 | MB  | 003A | 22   | 137.156  | 0750 118 198 | MAN | 006A | 24   | 137.161  | 0735 320 568 | MB  | 001A | 35   |
| 137.150  | 0750 117 232 | MAN | 006A | 22   | 137.156  | 0750 118 198 | MAN | 007A | 30   | 137.161  | 0735 320 568 | MAN | 004A | 35   |
| 137.150  | 0750 117 232 | MAN | 007A | 26   | 137.156  | 0750 118 198 | IVE | 011A | 24   | 137.161  | 0735 320 568 | DAF | 018A | 35   |
| 137.150  | 0750 117 232 | MAN | 008A | 26   | 137.156  | 0750 118 198 | IVE | 012A | 30   | 137.162  | 0750 115 324 | MAN | 006A | 53   |
| 137.150  | 0750 117 232 | IVE | 011A | 22   | 137.156  | 0750 118 198 | RVI | 015A | 24   | 137.162  | 0750 115 324 | MAN | 007A | 59   |
| 137.150  | 0750 117 232 | IVE | 012A | 26   | 137.156  | 0750 118 198 | RVI | 016A | 30   | 137.162  | 0750 115 324 | MAN | 008A | 59   |
| 137.150  | 0750 117 232 | IVE | 013A | 26   | 137.156  | 0750 118 198 | DAF | 021A | 24   | 137.162  | 0750 115 324 | IVE | 011A | 53   |
| 137.150  | 0750 117 232 | RVI | 015A | 22   | 137.156  | 0750 118 198 | DAF | 022A | 30   | 137.162  | 0750 115 324 | IVE | 012A | 59   |
| 137.150  | 0750 117 232 | RVI | 016A | 26   | 137.157  | 0750 118 220 | MB  | 002A | 29   | 137.162  | 0750 115 324 | IVE | 013A | 59   |
| 137.150  | 0750 117 232 | RVI | 017A | 26   | 137.157  | 0750 118 220 | MAN | 005A | 29   | 137.162  | 0750 115 324 | RVI | 015A | 53   |
| 137.150  | 0750 117 232 | DAF | 021A | 22   | 137.157  | 0750 118 220 | IVE | 009A | 29   | 137.162  | 0750 115 324 | RVI | 016A | 59   |
| 137.150  | 0750 117 232 | DAF | 022A | 26   | 137.157  | 0750 118 220 | IVE | 010A | 29   | 137.162  | 0750 115 324 | RVI | 017A | 59   |
| 137.150  | 0750 117 232 | DAF | 023A | 26   | 137.157  | 0750 118 220 | DAF | 019A | 29   | 137.162  | 0750 115 324 | DAF | 021A | 53   |
| 137.151  | 0750 115 327 | MB  | 003A | 48   | 137.157  | 0750 118 220 | DAF | 020A | 29   | 137.162  | 0750 115 324 | DAF | 022A | 59   |
| 137.151  | 0750 115 327 | MAN | 006A | 48   | 137.157  | 0750 118 220 | VOL | 024A | 29   | 137.162  | 0750 115 324 | DAF | 023A | 59   |
| 137.151  | 0750 115 327 | MAN | 007A | 54   | 137.157  | 0750 118 220 | VOL | 025A | 29   | 137.163  | 0735 358 155 | MB  | 002A | 7    |
| 137.151  | 0750 115 327 | MAN | 008A | 54   | 137.158  | 0735 320 460 | MB  | 001A | 30   | 137.164  | 0750 115 534 | MAN | 007A | 30   |
| 137.151  | 0750 115 327 | IVE | 011A | 48   | 137.158  | 0735 320 460 | MB  | 002A | 36   | 137.164  | 0750 115 534 | MAN | 008A | 30   |
| 137.151  | 0750 115 327 | IVE | 012A | 54   | 137.158  | 0735 320 460 | MAN | 004A | 30   | 137.164  | 0750 115 534 | IVE | 012A | 30   |
| 137.151  | 0750 115 327 | IVE | 013A | 54   | 137.158  | 0735 320 460 | DAF | 019A | 36   | 137.164  | 0750 115 534 | IVE | 013A | 30   |
| 137.151  | 0750 115 327 | RVI | 016A | 54   | 137.158  | 0735 320 460 | DAF | 020A | 38   | 137.164  | 0750 115 534 | RVI | 016A | 30   |
| 137.151  | 0750 115 327 | RVI | 017A | 54   | 137.159  | 0735 320 548 | MB  | 002A | 44   | 137.164  | 0750 115 534 | RVI | 017A | 30   |
| 137.151  | 0750 115 327 | DAF | 021A | 48   | 137.159  | 0735 320 548 | MB  | 002A | 44   | 137.164  | 0750 115 534 | DAF | 022A | 30   |
| 137.151  | 0750 115 327 | DAF | 022A | 54   | 137.159  | 0735 320 548 | MAN | 005A | 44   | 137.164  | 0750 115 534 | DAF | 023A | 30   |
| 137.151  | 0750 115 327 | DAF | 023A | 54   | 137.159  | 0735 320 548 | IVE | 009A | 44   | 139.331  | 0750 112 034 | MB  | 001B | 36   |
| 137.153  | 0735 320 896 | MB  | 001A | 11   | 137.159  | 0735 320 548 | RVI | 014A | 44   | 139.331  | 0750 112 034 | MB  | 001B | 43   |
| 137.153  | 0735 320 896 | MB  | 002A | 7    | 137.159  | 0735 320 548 | DAF | 019A | 44   | 139.331  | 0750 112 034 | MB  | 002B | 36   |
| 137.153  | 0735 320 896 | MAN | 004A | 11   | 137.159  | 0735 320 548 | DAF | 019A | 44   | 139.331  | 0750 112 034 | MB  | 002B | 43   |
| 137.153  | 0735 320 896 | MAN | 005A | 7    | 137.159  | 0735 320 548 | DAF | 020A | 46   | 139.331  | 0750 112 034 | MB  | 003B | 36   |

All original equipment manufacturers numbers, symbols, pictures, models and description used in this catalogue are for reference only, and it is not implied that any part listed is the product of these manufactures.  
Tutti i nostri particolari non sono originali ma con essi intercambiabili. I riferimenti originali, le figure, i modelli sono esposti a semplice titolo indicativo. La nostra produzione riporta il nostro marchio.

CEI references index  
Indice riferimenti CEI

Date

03 / 2006

Table

Index

# CEI Index

| Ref. CEI | Ref. ZF      | OEM | Tav. | Fig. | Ref. CEI | Ref. ZF      | OEM | Tav. | Fig. | Ref. CEI | Ref. ZF      | OEM | Tav. | Fig. |
|----------|--------------|-----|------|------|----------|--------------|-----|------|------|----------|--------------|-----|------|------|
| 139.331  | 0750 112 034 | MB  | 003B | 42   | 139.331  | 0750 112 034 | VOL | 025B | 37   | 141.163  | 1297 306 120 | MAN | 007B | 28   |
| 139.331  | 0750 112 034 | MAN | 004B | 36   | 139.331  | 0750 112 034 | VOL | 025B | 44   | 141.163  | 1297 306 120 | MAN | 007B | 32   |
| 139.331  | 0750 112 034 | MAN | 004B | 43   | 141.068  | 1295 306 132 | MB  | 001B | 29   | 141.163  | 1297 306 120 | MAN | 008B | 30   |
| 139.331  | 0750 112 034 | MAN | 005B | 36   | 141.068  | 1295 306 132 | MB  | 002B | 29   | 141.163  | 1297 306 120 | MAN | 008B | 34   |
| 139.331  | 0750 112 034 | MAN | 005B | 43   | 141.068  | 1295 306 132 | MAN | 004B | 29   | 141.163  | 1297 306 120 | IVE | 010B | 29   |
| 139.331  | 0750 112 034 | MAN | 006B | 36   | 141.068  | 1295 306 132 | MAN | 005B | 29   | 141.163  | 1297 306 120 | IVE | 011B | 28   |
| 139.331  | 0750 112 034 | MAN | 006B | 42   | 141.068  | 1295 306 132 | IVE | 009B | 29   | 141.163  | 1297 306 120 | IVE | 011B | 32   |
| 139.331  | 0750 112 034 | MAN | 007B | 36   | 141.068  | 1295 306 132 | IVE | 010B | 33   | 141.163  | 1297 306 120 | IVE | 012B | 28   |
| 139.331  | 0750 112 034 | MAN | 007B | 42   | 141.068  | 1295 306 132 | RVI | 014B | 29   | 141.163  | 1297 306 120 | IVE | 012B | 32   |
| 139.331  | 0750 112 034 | MAN | 008B | 38   | 141.068  | 1295 306 132 | DAF | 018B | 29   | 141.163  | 1297 306 120 | IVE | 013B | 30   |
| 139.331  | 0750 112 034 | MAN | 008B | 44   | 141.068  | 1295 306 132 | DAF | 019B | 29   | 141.163  | 1297 306 120 | IVE | 013B | 34   |
| 139.331  | 0750 112 034 | IVE | 009B | 36   | 141.068  | 1295 306 132 | DAF | 020B | 33   | 141.163  | 1297 306 120 | RVI | 015B | 28   |
| 139.331  | 0750 112 034 | IVE | 009B | 43   | 141.068  | 1295 306 132 | VOL | 024B | 29   | 141.163  | 1297 306 120 | RVI | 015B | 32   |
| 139.331  | 0750 112 034 | IVE | 010B | 37   | 141.068  | 1295 306 132 | VOL | 025B | 33   | 141.163  | 1297 306 120 | RVI | 016B | 28   |
| 139.331  | 0750 112 034 | IVE | 010B | 44   | 141.085  | 1296 334 004 | MB  | 001B | 41   | 141.163  | 1297 306 120 | RVI | 016B | 32   |
| 139.331  | 0750 112 034 | IVE | 011B | 36   | 141.085  | 1296 334 004 | MB  | 002B | 41   | 141.163  | 1297 306 120 | RVI | 017B | 30   |
| 139.331  | 0750 112 034 | IVE | 011B | 42   | 141.085  | 1296 334 004 | MB  | 003B | 41   | 141.163  | 1297 306 120 | RVI | 017B | 34   |
| 139.331  | 0750 112 034 | IVE | 012B | 36   | 141.085  | 1296 334 004 | MAN | 004B | 41   | 141.163  | 1297 306 120 | DAF | 020B | 29   |
| 139.331  | 0750 112 034 | IVE | 012B | 42   | 141.085  | 1296 334 004 | MAN | 005B | 41   | 141.163  | 1297 306 120 | DAF | 021B | 28   |
| 139.331  | 0750 112 034 | IVE | 013B | 38   | 141.085  | 1296 334 004 | MAN | 006B | 41   | 141.163  | 1297 306 120 | DAF | 021B | 32   |
| 139.331  | 0750 112 034 | IVE | 013B | 44   | 141.085  | 1296 334 004 | MAN | 007B | 39   | 141.163  | 1297 306 120 | DAF | 022B | 28   |
| 139.331  | 0750 112 034 | RVI | 014B | 36   | 141.085  | 1296 334 004 | MAN | 008B | 41   | 141.163  | 1297 306 120 | DAF | 022B | 32   |
| 139.331  | 0750 112 034 | RVI | 014B | 43   | 141.085  | 1296 334 004 | IVE | 009B | 41   | 141.163  | 1297 306 120 | DAF | 023B | 30   |
| 139.331  | 0750 112 034 | RVI | 015B | 36   | 141.085  | 1296 334 004 | IVE | 010B | 42   | 141.163  | 1297 306 120 | DAF | 023B | 34   |
| 139.331  | 0750 112 034 | RVI | 015B | 42   | 141.085  | 1296 334 004 | IVE | 011B | 41   | 141.163  | 1297 306 120 | VOL | 025B | 29   |
| 139.331  | 0750 112 034 | RVI | 016B | 36   | 141.085  | 1296 334 004 | IVE | 012B | 39   | 141.168  | 1316 306 015 | MAN | 007B | 28   |
| 139.331  | 0750 112 034 | RVI | 016B | 42   | 141.085  | 1296 334 004 | IVE | 013B | 41   | 141.168  | 1316 306 015 | MAN | 007B | 32   |
| 139.331  | 0750 112 034 | RVI | 017B | 38   | 141.085  | 1296 334 004 | RVI | 014B | 41   | 141.168  | 1316 306 015 | MAN | 008B | 30   |
| 139.331  | 0750 112 034 | RVI | 017B | 44   | 141.085  | 1296 334 004 | RVI | 015B | 41   | 141.168  | 1316 306 015 | MAN | 008B | 34   |
| 139.331  | 0750 112 034 | DAF | 018B | 36   | 141.085  | 1296 334 004 | RVI | 016B | 39   | 141.168  | 1316 306 015 | IVE | 012B | 28   |
| 139.331  | 0750 112 034 | DAF | 018B | 43   | 141.085  | 1296 334 004 | RVI | 017B | 41   | 141.168  | 1316 306 015 | IVE | 012B | 32   |
| 139.331  | 0750 112 034 | DAF | 019B | 36   | 141.085  | 1296 334 004 | DAF | 018B | 41   | 141.168  | 1316 306 015 | IVE | 013B | 30   |
| 139.331  | 0750 112 034 | DAF | 019B | 43   | 141.085  | 1296 334 004 | DAF | 019B | 41   | 141.168  | 1316 306 015 | IVE | 013B | 34   |
| 139.331  | 0750 112 034 | DAF | 020B | 37   | 141.085  | 1296 334 004 | DAF | 020B | 42   | 141.168  | 1316 306 015 | RVI | 016B | 28   |
| 139.331  | 0750 112 034 | DAF | 020B | 44   | 141.085  | 1296 334 004 | DAF | 021B | 41   | 141.168  | 1316 306 015 | RVI | 016B | 32   |
| 139.331  | 0750 112 034 | DAF | 021B | 36   | 141.085  | 1296 334 004 | DAF | 022B | 39   | 141.168  | 1316 306 015 | RVI | 017B | 30   |
| 139.331  | 0750 112 034 | DAF | 021B | 42   | 141.085  | 1296 334 004 | DAF | 023B | 41   | 141.168  | 1316 306 015 | RVI | 017B | 34   |
| 139.331  | 0750 112 034 | DAF | 022B | 36   | 141.085  | 1296 334 004 | VOL | 024B | 41   | 141.168  | 1316 306 015 | DAF | 022B | 28   |
| 139.331  | 0750 112 034 | DAF | 022B | 42   | 141.085  | 1296 334 004 | VOL | 025B | 42   | 141.168  | 1316 306 015 | DAF | 022B | 32   |
| 139.331  | 0750 112 034 | DAF | 023B | 38   | 141.163  | 1297 306 120 | MB  | 003B | 28   | 141.168  | 1316 306 015 | DAF | 023B | 30   |
| 139.331  | 0750 112 034 | DAF | 023B | 44   | 141.163  | 1297 306 120 | MB  | 003B | 32   | 141.168  | 1316 306 015 | DAF | 023B | 34   |
| 139.331  | 0750 112 034 | VOL | 024B | 36   | 141.163  | 1297 306 120 | MAN | 006B | 28   | 145.276  | 1295 302 071 | MB  | 001A | 12   |
| 139.331  | 0750 112 034 | VOL | 024B | 43   | 141.163  | 1297 306 120 | MAN | 006B | 32   | 145.276  | 1295 302 071 | MB  | 002A | 8    |

Date

03 / 2006

Table

Index

| Ref. CEI | Ref. ZF      | OEM | Tav. | Fig. | Ref. CEI | Ref. ZF      | OEM | Tav. | Fig. | Ref. CEI | Ref. ZF      | OEM | Tav. | Fig. |
|----------|--------------|-----|------|------|----------|--------------|-----|------|------|----------|--------------|-----|------|------|
| 145.276  | 1295 302 071 | MAN | 004A | 12   | 145.376  | 1297 304 441 | VOL | 025A | 48   | 145.447  | 1296 302 003 | MB  | 002A | 8    |
| 145.276  | 1295 302 071 | MAN | 005A | 8    | 145.377  | 1297 304 414 | MB  | 002A | 35   | 145.447  | 1296 302 003 | DAF | 019A | 8    |
| 145.276  | 1295 302 071 | IVE | 009A | 8    | 145.377  | 1297 304 414 | MAN | 005A | 35   | 145.447  | 1296 302 003 | DAF | 020A | 8    |
| 145.276  | 1295 302 071 | RVI | 014A | 8    | 145.377  | 1297 304 414 | IVE | 009A | 35   | 145.448  | 1296 302 023 | MB  | 002A | 8    |
| 145.276  | 1295 302 071 | DAF | 019A | 8    | 145.377  | 1297 304 414 | IVE | 010A | 37   | 145.449  | 1297 302 074 | MB  | 002A | 8    |
| 145.276  | 1295 302 071 | DAF | 020A | 8    | 145.377  | 1297 304 414 | DAF | 019A | 35   | 145.450  | 1297 304 261 | MB  | 002A | 35   |
| 145.276  | 1295 302 071 | VOL | 024A | 8    | 145.377  | 1297 304 414 | DAF | 020A | 37   | 145.450  | 1297 304 261 | MAN | 005A | 35   |
| 145.277  | 1295 304 128 | MB  | 002A | 35   | 145.377  | 1297 304 414 | VOL | 024A | 35   | 145.450  | 1297 304 261 | IVE | 009A | 35   |
| 145.277  | 1295 304 128 | MAN | 005A | 35   | 145.377  | 1297 304 414 | VOL | 025A | 37   | 145.450  | 1297 304 261 | IVE | 010A | 37   |
| 145.277  | 1295 304 128 | IVE | 009A | 35   | 145.405  | 1297 302 250 | MB  | 001A | 12   | 145.450  | 1297 304 261 | DAF | 019A | 35   |
| 145.277  | 1295 304 128 | RVI | 014A | 35   | 145.405  | 1297 302 250 | MB  | 002A | 8    | 145.450  | 1297 304 261 | DAF | 020A | 37   |
| 145.277  | 1295 304 128 | DAF | 019A | 35   | 145.405  | 1297 302 250 | MAN | 004A | 12   | 145.450  | 1297 304 261 | VOL | 024A | 35   |
| 145.277  | 1295 304 128 | DAF | 020A | 37   | 145.405  | 1297 302 250 | MAN | 005A | 8    | 145.450  | 1297 304 261 | VOL | 025A | 37   |
| 145.277  | 1295 304 128 | VOL | 024A | 35   | 145.405  | 1297 302 250 | IVE | 009A | 8    | 145.451  | 1315 302 007 | MAN | 007A | 17   |
| 145.278  | 1295 304 121 | MB  | 002A | 39   | 145.405  | 1297 302 250 | IVE | 010A | 8    | 145.451  | 1315 302 007 | IVE | 012A | 17   |
| 145.278  | 1295 304 121 | MAN | 005A | 39   | 145.405  | 1297 302 250 | DAF | 018A | 12   | 145.451  | 1315 302 007 | RVI | 016A | 17   |
| 145.278  | 1295 304 121 | IVE | 009A | 39   | 145.405  | 1297 302 250 | DAF | 019A | 8    | 145.451  | 1315 302 007 | DAF | 022A | 17   |
| 145.278  | 1295 304 121 | RVI | 014A | 39   | 145.405  | 1297 302 250 | DAF | 020A | 8    | 145.452  | 1315 304 004 | MAN | 007A | 56   |
| 145.278  | 1295 304 121 | DAF | 019A | 39   | 145.405  | 1297 302 250 | VOL | 024A | 8    | 145.452  | 1315 304 004 | MAN | 008A | 56   |
| 145.278  | 1295 304 121 | DAF | 020A | 41   | 145.405  | 1297 302 250 | VOL | 025A | 8    | 145.452  | 1315 304 004 | IVE | 012A | 56   |
| 145.278  | 1295 304 121 | VOL | 024A | 39   | 145.406  | 1297 302 176 | MB  | 001A | 12   | 145.452  | 1315 304 004 | IVE | 013A | 56   |
| 145.279  | 1295 304 202 | MB  | 002A | 45   | 145.406  | 1297 302 176 | MB  | 002A | 8    | 145.452  | 1315 304 004 | RVI | 016A | 56   |
| 145.279  | 1295 304 202 | MAN | 005A | 45   | 145.406  | 1297 302 176 | MAN | 004A | 12   | 145.452  | 1315 304 004 | RVI | 017A | 56   |
| 145.279  | 1295 304 202 | IVE | 009A | 45   | 145.406  | 1297 302 176 | MAN | 005A | 8    | 145.452  | 1315 304 004 | DAF | 022A | 56   |
| 145.279  | 1295 304 202 | RVI | 014A | 45   | 145.406  | 1297 302 176 | IVE | 009A | 8    | 145.452  | 1315 304 004 | DAF | 023A | 56   |
| 145.279  | 1295 304 202 | DAF | 019A | 45   | 145.406  | 1297 302 176 | IVE | 010A | 8    | 145.453  | 1315 304 014 | MAN | 007A | 56   |
| 145.279  | 1295 304 202 | DAF | 020A | 48   | 145.406  | 1297 302 176 | DAF | 018A | 12   | 145.453  | 1315 304 014 | MAN | 008A | 56   |
| 145.279  | 1295 304 202 | VOL | 024A | 45   | 145.406  | 1297 302 176 | DAF | 019A | 8    | 145.453  | 1315 304 014 | IVE | 012A | 56   |
| 145.375  | 1297 304 442 | MB  | 002A | 39   | 145.406  | 1297 302 176 | DAF | 020A | 8    | 145.453  | 1315 304 014 | IVE | 013A | 56   |
| 145.375  | 1297 304 442 | MAN | 005A | 39   | 145.406  | 1297 302 176 | VOL | 024A | 8    | 145.453  | 1315 304 014 | RVI | 016A | 56   |
| 145.375  | 1297 304 442 | IVE | 009A | 39   | 145.406  | 1297 302 176 | VOL | 025A | 8    | 145.453  | 1315 304 014 | RVI | 017A | 56   |
| 145.375  | 1297 304 442 | IVE | 010A | 41   | 145.407  | 1297 302 241 | MB  | 002A | 8    | 145.453  | 1315 304 014 | DAF | 022A | 56   |
| 145.375  | 1297 304 442 | DAF | 019A | 39   | 145.407  | 1297 302 241 | MAN | 005A | 8    | 145.453  | 1315 304 014 | DAF | 023A | 56   |
| 145.375  | 1297 304 442 | DAF | 020A | 41   | 145.407  | 1297 302 241 | IVE | 009A | 8    | 145.454  | 1315 304 025 | MAN | 007A | 42   |
| 145.375  | 1297 304 442 | VOL | 024A | 39   | 145.407  | 1297 302 241 | IVE | 010A | 8    | 145.454  | 1315 304 025 | MAN | 008A | 42   |
| 145.375  | 1297 304 442 | VOL | 025A | 41   | 145.407  | 1297 302 241 | DAF | 019A | 8    | 145.454  | 1315 304 025 | IVE | 012A | 42   |
| 145.376  | 1297 304 441 | MB  | 002A | 45   | 145.407  | 1297 302 241 | DAF | 020A | 8    | 145.454  | 1315 304 025 | IVE | 013A | 42   |
| 145.376  | 1297 304 441 | MAN | 005A | 45   | 145.407  | 1297 302 241 | VOL | 024A | 8    | 145.454  | 1315 304 025 | RVI | 016A | 42   |
| 145.376  | 1297 304 441 | IVE | 009A | 45   | 145.407  | 1297 302 241 | VOL | 025A | 8    | 145.454  | 1315 304 025 | RVI | 017A | 42   |
| 145.376  | 1297 304 441 | IVE | 010A | 48   | 145.408  | 1295 302 074 | MB  | 002A | 8    | 145.454  | 1315 304 025 | DAF | 022A | 42   |
| 145.376  | 1297 304 441 | DAF | 019A | 45   | 145.420  | 1297 304 127 | MB  | 001A | 26   | 145.454  | 1315 304 025 | DAF | 023A | 42   |
| 145.376  | 1297 304 441 | DAF | 020A | 48   | 145.420  | 1297 304 127 | MAN | 004A | 26   | 145.455  | 1315 304 026 | MAN | 007A | 42   |
| 145.376  | 1297 304 441 | VOL | 024A | 45   | 145.420  | 1297 304 127 | DAF | 018A | 26   | 145.455  | 1315 304 026 | MAN | 008A | 42   |

All original equipment manufacturers numbers, symbols, pictures, models and description used in this catalogue are for reference only, and it is not implied that any part listed is the product of these manufactures.  
Tutti i nostri particolari non sono originali ma con essi intercambiabili. I riferimenti originali, le figure, i modelli sono esposti a semplice titolo indicativo. La nostra produzione riporta il nostro marchio.

CEI references index  
Indice riferimenti CEI

Date

03 / 2006

Table

Index

# CEI Index

| Ref. CEI | Ref. ZF      | OEM | Tav. | Fig. | Ref. CEI | Ref. ZF      | OEM | Tav. | Fig. | Ref. CEI | Ref. ZF      | OEM | Tav. | Fig. |
|----------|--------------|-----|------|------|----------|--------------|-----|------|------|----------|--------------|-----|------|------|
| 145.455  | 1315 304 026 | IVE | 012A | 42   | 145.472  | 1316 302 001 | IVE | 012A | 17   | 145.487  | 1316 302 065 | MAN | 007A | 20   |
| 145.455  | 1315 304 026 | IVE | 013A | 42   | 145.472  | 1316 302 001 | RVI | 016A | 17   | 145.487  | 1316 302 065 | MAN | 008A | 17   |
| 145.455  | 1315 304 026 | RVI | 016A | 42   | 145.472  | 1316 302 001 | DAF | 022A | 17   | 145.487  | 1316 302 065 | IVE | 012A | 20   |
| 145.455  | 1315 304 026 | RVI | 017A | 42   | 145.473  | 1316 304 008 | MAN | 007A | 39   | 145.487  | 1316 302 065 | IVE | 013A | 17   |
| 145.455  | 1315 304 026 | DAF | 022A | 42   | 145.473  | 1316 304 008 | MAN | 008A | 39   | 145.487  | 1316 302 065 | RVI | 016A | 20   |
| 145.455  | 1315 304 026 | DAF | 023A | 42   | 145.473  | 1316 304 008 | IVE | 012A | 39   | 145.487  | 1316 302 065 | RVI | 017A | 17   |
| 145.456  | 1315 304 027 | MAN | 007A | 39   | 145.473  | 1316 304 008 | IVE | 013A | 39   | 145.487  | 1316 302 065 | DAF | 022A | 20   |
| 145.456  | 1315 304 027 | MAN | 008A | 39   | 145.473  | 1316 304 008 | RVI | 016A | 39   | 145.487  | 1316 302 065 | DAF | 023A | 17   |
| 145.456  | 1315 304 027 | IVE | 012A | 39   | 145.473  | 1316 304 008 | RVI | 017A | 39   | 145.488  | 1316 304 009 | MAN | 007A | 39   |
| 145.456  | 1315 304 027 | IVE | 013A | 39   | 145.473  | 1316 304 008 | DAF | 022A | 39   | 145.488  | 1316 304 009 | MAN | 008A | 39   |
| 145.456  | 1315 304 027 | RVI | 016A | 39   | 145.473  | 1316 304 008 | DAF | 023A | 39   | 145.488  | 1316 304 009 | IVE | 012A | 39   |
| 145.456  | 1315 304 027 | RVI | 017A | 39   | 145.474  | 1316 304 002 | MAN | 007A | 42   | 145.488  | 1316 304 009 | IVE | 013A | 39   |
| 145.456  | 1315 304 027 | DAF | 022A | 39   | 145.474  | 1316 304 002 | MAN | 008A | 42   | 145.488  | 1316 304 009 | RVI | 016A | 39   |
| 145.456  | 1315 304 027 | DAF | 023A | 39   | 145.474  | 1316 304 002 | IVE | 012A | 42   | 145.488  | 1316 304 009 | RVI | 017A | 39   |
| 145.466  | 1297 302 177 | MB  | 001A | 12   | 145.474  | 1316 304 002 | IVE | 013A | 42   | 145.488  | 1316 304 009 | DAF | 022A | 39   |
| 145.466  | 1297 302 177 | MB  | 002A | 8    | 145.474  | 1316 304 002 | RVI | 016A | 42   | 145.488  | 1316 304 009 | DAF | 023A | 39   |
| 145.466  | 1297 302 177 | MAN | 004A | 12   | 145.474  | 1316 304 002 | RVI | 017A | 42   | 145.489  | 1295 302 070 | MB  | 001A | 12   |
| 145.466  | 1297 302 177 | MAN | 005A | 8    | 145.474  | 1316 304 002 | DAF | 022A | 42   | 145.489  | 1295 302 070 | MB  | 002A | 8    |
| 145.466  | 1297 302 177 | IVE | 009A | 8    | 145.474  | 1316 304 002 | DAF | 023A | 42   | 145.489  | 1295 302 070 | MAN | 004A | 12   |
| 145.466  | 1297 302 177 | IVE | 010A | 8    | 145.475  | 1316 304 010 | MAN | 007A | 56   | 145.489  | 1295 302 070 | MAN | 005A | 8    |
| 145.466  | 1297 302 177 | DAF | 018A | 12   | 145.475  | 1316 304 010 | MAN | 008A | 56   | 145.489  | 1295 302 070 | IVE | 009A | 8    |
| 145.466  | 1297 302 177 | DAF | 019A | 8    | 145.475  | 1316 304 010 | IVE | 012A | 56   | 145.489  | 1295 302 070 | RVI | 014A | 8    |
| 145.466  | 1297 302 177 | DAF | 020A | 8    | 145.475  | 1316 304 010 | IVE | 013A | 56   | 145.489  | 1295 302 070 | DAF | 019A | 8    |
| 145.466  | 1297 302 177 | VOL | 024A | 8    | 145.475  | 1316 304 010 | RVI | 016A | 56   | 145.489  | 1295 302 070 | DAF | 020A | 8    |
| 145.466  | 1297 302 177 | VOL | 025A | 8    | 145.475  | 1316 304 010 | RVI | 017A | 56   | 145.489  | 1295 302 070 | VOL | 024A | 8    |
| 145.467  | 1297 304 112 | MB  | 001A | 32   | 145.475  | 1316 304 010 | DAF | 022A | 56   | 145.490  | 1312 302 074 | MB  | 003A | 8    |
| 145.467  | 1297 304 112 | MAN | 004A | 32   | 145.475  | 1316 304 010 | DAF | 023A | 56   | 145.490  | 1312 302 074 | MAN | 006A | 8    |
| 145.467  | 1297 304 112 | DAF | 018A | 32   | 145.483  | 1316 302 066 | MAN | 007A | 20   | 145.490  | 1312 302 074 | IVE | 011A | 8    |
| 145.468  | 1297 304 115 | MB  | 001A | 29   | 145.483  | 1316 302 066 | MAN | 008A | 17   | 145.490  | 1312 302 074 | DAF | 021A | 8    |
| 145.468  | 1297 304 115 | MAN | 004A | 29   | 145.483  | 1316 302 066 | MAN | 008A | 17   | 145.491  | 1312 302 073 | MB  | 003A | 8    |
| 145.468  | 1297 304 115 | DAF | 018A | 29   | 145.483  | 1316 302 066 | IVE | 012A | 20   | 145.491  | 1312 302 073 | MAN | 006A | 8    |
| 145.469  | 1297 304 150 | MB  | 001A | 37   | 145.483  | 1316 302 066 | IVE | 013A | 17   | 145.491  | 1312 302 073 | IVE | 011A | 8    |
| 145.469  | 1297 304 150 | MAN | 004A | 37   | 145.483  | 1316 302 066 | IVE | 013A | 17   | 145.491  | 1312 302 073 | DAF | 021A | 8    |
| 145.469  | 1297 304 150 | DAF | 018A | 37   | 145.483  | 1316 302 066 | RVI | 016A | 20   | 145.494  | 1296 304 087 | MB  | 002A | 35   |
| 145.470  | 1297 304 266 | MB  | 002A | 35   | 145.483  | 1316 302 066 | RVI | 017A | 17   | 145.494  | 1296 304 087 | DAF | 019A | 35   |
| 145.470  | 1297 304 266 | MAN | 005A | 35   | 145.483  | 1316 302 066 | RVI | 017A | 17   | 145.494  | 1296 304 087 | DAF | 020A | 37   |
| 145.470  | 1297 304 266 | IVE | 009A | 35   | 145.483  | 1316 302 066 | DAF | 022A | 20   | 145.495  | 1295 304 127 | MB  | 002A | 35   |
| 145.470  | 1297 304 266 | IVE | 010A | 37   | 145.483  | 1316 302 066 | DAF | 023A | 17   | 145.495  | 1295 304 127 | MAN | 005A | 35   |
| 145.470  | 1297 304 266 | DAF | 019A | 35   | 145.483  | 1316 302 066 | DAF | 023A | 17   | 145.495  | 1295 304 127 | IVE | 009A | 35   |
| 145.470  | 1297 304 266 | DAF | 020A | 37   | 145.484  | 1316 304 094 | MAN | 008A | 39   | 145.495  | 1295 304 127 | RVI | 014A | 35   |
| 145.470  | 1297 304 266 | VOL | 024A | 35   | 145.484  | 1316 304 094 | IVE | 013A | 39   | 145.495  | 1295 304 127 | DAF | 019A | 35   |
| 145.470  | 1297 304 266 | VOL | 025A | 37   | 145.484  | 1316 304 094 | RVI | 017A | 39   | 145.495  | 1295 304 127 | DAF | 020A | 37   |
| 145.472  | 1316 302 001 | MAN | 007A | 17   | 145.484  | 1316 304 094 | DAF | 023A | 39   | 145.495  | 1295 304 127 | VOL | 024A | 35   |

Date

03 / 2006

Table

Index

| Ref. CEI | Ref. ZF      | OEM | Tav. Fig. | Ref. CEI | Ref. ZF      | OEM | Tav. Fig. | Ref. CEI | Ref. ZF      | OEM | Tav. Fig. |
|----------|--------------|-----|-----------|----------|--------------|-----|-----------|----------|--------------|-----|-----------|
| 145.496  | 1313 304 080 | MAN | 006A 31   | 145.505  | 1296 304 099 | DAF | 019A 45   | 145.514  | 1315 304 028 | DAF | 022A 39   |
| 145.496  | 1313 304 080 | IVE | 011A 31   | 145.505  | 1296 304 099 | DAF | 020A 48   | 145.514  | 1315 304 028 | DAF | 023A 39   |
| 145.496  | 1313 304 080 | RVI | 015A 31   | 145.506  | 1295 304 203 | MB  | 002A 45   | 145.515  | 1316 304 003 | MAN | 007A 42   |
| 145.496  | 1313 304 080 | DAF | 021A 31   | 145.506  | 1295 304 203 | MAN | 005A 45   | 145.515  | 1316 304 003 | MAN | 008A 42   |
| 145.497  | 1312 304 136 | MB  | 003A 31   | 145.506  | 1295 304 203 | IVE | 009A 45   | 145.515  | 1316 304 003 | IVE | 012A 42   |
| 145.497  | 1312 304 136 | MAN | 006A 31   | 145.506  | 1295 304 203 | RVI | 014A 45   | 145.515  | 1316 304 003 | IVE | 013A 42   |
| 145.497  | 1312 304 136 | IVE | 011A 31   | 145.506  | 1295 304 203 | DAF | 019A 45   | 145.515  | 1316 304 003 | RVI | 016A 42   |
| 145.497  | 1312 304 136 | DAF | 021A 31   | 145.506  | 1295 304 203 | DAF | 020A 48   | 145.515  | 1316 304 003 | RVI | 017A 42   |
| 145.498  | 1312 304 137 | MB  | 003A 31   | 145.506  | 1295 304 203 | VOL | 024A 45   | 145.515  | 1316 304 003 | DAF | 022A 42   |
| 145.498  | 1312 304 137 | MAN | 006A 31   | 145.507  | 1297 304 270 | MB  | 002A 45   | 145.515  | 1316 304 003 | DAF | 023A 42   |
| 145.498  | 1312 304 137 | IVE | 011A 31   | 145.507  | 1297 304 270 | MAN | 005A 45   | 145.522  | 1316 304 013 | MAN | 007A 56   |
| 145.498  | 1312 304 137 | DAF | 021A 31   | 145.507  | 1297 304 270 | IVE | 009A 45   | 145.522  | 1316 304 013 | MAN | 008A 56   |
| 145.499  | 1296 304 070 | MB  | 002A 39   | 145.507  | 1297 304 270 | IVE | 010A 48   | 145.522  | 1316 304 013 | IVE | 012A 56   |
| 145.499  | 1296 304 070 | DAF | 019A 39   | 145.507  | 1297 304 270 | DAF | 019A 45   | 145.522  | 1316 304 013 | IVE | 013A 56   |
| 145.499  | 1296 304 070 | DAF | 020A 41   | 145.507  | 1297 304 270 | DAF | 020A 48   | 145.522  | 1316 304 013 | RVI | 016A 56   |
| 145.500  | 1297 304 269 | MB  | 002A 39   | 145.507  | 1297 304 270 | VOL | 024A 45   | 145.522  | 1316 304 013 | RVI | 017A 56   |
| 145.500  | 1297 304 269 | MAN | 005A 39   | 145.507  | 1297 304 270 | VOL | 025A 48   | 145.522  | 1316 304 013 | DAF | 022A 56   |
| 145.500  | 1297 304 269 | IVE | 009A 39   | 145.508  | 1313 304 039 | MAN | 006A 50   | 145.522  | 1316 304 013 | DAF | 023A 56   |
| 145.500  | 1297 304 269 | IVE | 010A 41   | 145.508  | 1313 304 039 | IVE | 011A 50   | 145.524  | 1315 302 008 | MAN | 007A 17   |
| 145.500  | 1297 304 269 | DAF | 019A 39   | 145.508  | 1313 304 039 | RVI | 015A 50   | 145.524  | 1315 302 008 | IVE | 012A 17   |
| 145.500  | 1297 304 269 | DAF | 020A 41   | 145.508  | 1313 304 039 | DAF | 021A 50   | 145.524  | 1315 302 008 | RVI | 016A 17   |
| 145.500  | 1297 304 269 | VOL | 024A 39   | 145.509  | 1312 304 086 | MB  | 003A 50   | 145.524  | 1315 302 008 | DAF | 022A 17   |
| 145.500  | 1297 304 269 | VOL | 025A 41   | 145.509  | 1312 304 086 | MAN | 006A 50   | 145.525  | 1313 302 035 | MAN | 006A 8    |
| 145.501  | 1295 304 120 | MB  | 002A 39   | 145.509  | 1312 304 086 | IVE | 011A 50   | 145.525  | 1313 302 035 | IVE | 011A 8    |
| 145.501  | 1295 304 120 | MAN | 005A 39   | 145.509  | 1312 304 086 | DAF | 021A 50   | 145.525  | 1313 302 035 | RVI | 015A 8    |
| 145.501  | 1295 304 120 | IVE | 009A 39   | 145.510  | 1312 304 085 | MB  | 003A 50   | 145.525  | 1313 302 035 | DAF | 021A 8    |
| 145.501  | 1295 304 120 | RVI | 014A 39   | 145.510  | 1312 304 085 | MAN | 006A 50   | 145.526  | 1313 304 081 | MAN | 006A 31   |
| 145.501  | 1295 304 120 | DAF | 019A 39   | 145.510  | 1312 304 085 | IVE | 011A 50   | 145.526  | 1313 304 081 | IVE | 011A 31   |
| 145.501  | 1295 304 120 | DAF | 020A 41   | 145.510  | 1312 304 085 | DAF | 021A 50   | 145.526  | 1313 304 081 | RVI | 015A 31   |
| 145.501  | 1295 304 120 | VOL | 024A 39   | 145.513  | 1315 302 173 | MAN | 007A 20   | 145.526  | 1313 304 081 | DAF | 021A 31   |
| 145.502  | 1313 304 078 | MAN | 006A 36   | 145.513  | 1315 302 173 | MAN | 008A 17   | 145.527  | 1313 304 077 | MAN | 006A 36   |
| 145.502  | 1313 304 078 | IVE | 011A 36   | 145.513  | 1315 302 173 | IVE | 012A 20   | 145.527  | 1313 304 077 | IVE | 011A 36   |
| 145.502  | 1313 304 078 | RVI | 015A 36   | 145.513  | 1315 302 173 | IVE | 013A 17   | 145.527  | 1313 304 077 | RVI | 015A 36   |
| 145.502  | 1313 304 078 | DAF | 021A 36   | 145.513  | 1315 302 173 | RVI | 016A 20   | 145.527  | 1313 304 077 | DAF | 021A 36   |
| 145.503  | 1312 304 139 | MB  | 003A 36   | 145.513  | 1315 302 173 | RVI | 017A 17   | 145.528  | 1313 304 070 | MAN | 006A 50   |
| 145.503  | 1312 304 139 | MAN | 006A 36   | 145.513  | 1315 302 173 | DAF | 022A 20   | 145.528  | 1313 304 070 | IVE | 011A 50   |
| 145.503  | 1312 304 139 | IVE | 011A 36   | 145.513  | 1315 302 173 | DAF | 023A 17   | 145.528  | 1313 304 070 | RVI | 015A 50   |
| 145.503  | 1312 304 139 | DAF | 021A 36   | 145.514  | 1315 304 028 | MAN | 007A 39   | 145.528  | 1313 304 070 | DAF | 021A 50   |
| 145.504  | 1312 304 141 | MB  | 003A 36   | 145.514  | 1315 304 028 | MAN | 008A 39   | 145.529  | 1297 304 128 | MB  | 001A 26   |
| 145.504  | 1312 304 141 | MAN | 006A 36   | 145.514  | 1315 304 028 | IVE | 012A 39   | 145.529  | 1297 304 128 | MAN | 004A 26   |
| 145.504  | 1312 304 141 | IVE | 011A 36   | 145.514  | 1315 304 028 | IVE | 013A 39   | 145.529  | 1297 304 128 | DAF | 018A 26   |
| 145.504  | 1312 304 141 | DAF | 021A 36   | 145.514  | 1315 304 028 | RVI | 016A 39   | 145.530  | 1297 304 258 | MB  | 001A 26   |
| 145.505  | 1296 304 099 | MB  | 002A 45   | 145.514  | 1315 304 028 | RVI | 017A 39   | 145.530  | 1297 304 258 | MAN | 004A 26   |

All original equipment manufacturers numbers, symbols, pictures, models and description used in this catalogue are for reference only, and it is not implied that any part listed is the product of these manufactures.  
Tutti i nostri particolari non sono originali ma con essi intercambiabili. I riferimenti originali, le figure, i modelli sono esposti a semplice titolo indicativo. La nostra produzione riporta il nostro marchio.



# CEI Index

| Ref. CEI | Ref. ZF      | OEM | Tav. Fig. | Ref. CEI | Ref. ZF      | OEM | Tav. Fig. | Ref. CEI | Ref. ZF      | OEM | Tav. Fig. |
|----------|--------------|-----|-----------|----------|--------------|-----|-----------|----------|--------------|-----|-----------|
| 145.530  | 1297 304 258 | DAF | 018A 26   | 145.553  | 1315 302 157 | MAN | 008A 17   | 146.209  | 1295 303 027 | MB  | 002A 59   |
| 145.531  | 1297 304 116 | MB  | 001A 29   | 145.553  | 1315 302 157 | IVE | 012A 20   | 146.209  | 1295 303 027 | MAN | 004A 51   |
| 145.531  | 1297 304 116 | MAN | 004A 29   | 145.553  | 1315 302 157 | IVE | 013A 17   | 146.209  | 1295 303 027 | MAN | 005A 59   |
| 145.531  | 1297 304 116 | DAF | 018A 29   | 145.553  | 1315 302 157 | RVI | 016A 20   | 146.209  | 1295 303 027 | IVE | 009A 59   |
| 145.532  | 1297 304 113 | MB  | 001A 32   | 145.553  | 1315 302 157 | RVI | 017A 17   | 146.209  | 1295 303 027 | RVI | 014A 59   |
| 145.532  | 1297 304 113 | MAN | 004A 32   | 145.553  | 1315 302 157 | DAF | 022A 20   | 146.209  | 1295 303 027 | DAF | 019A 59   |
| 145.532  | 1297 304 113 | DAF | 018A 32   | 145.553  | 1315 302 157 | DAF | 023A 17   | 146.209  | 1295 303 027 | DAF | 020A 62   |
| 145.534  | 1297 304 151 | MB  | 001A 37   | 145.554  | 1316 302 067 | MAN | 007A 20   | 146.209  | 1295 303 027 | VOL | 024A 59   |
| 145.534  | 1297 304 151 | MAN | 004A 37   | 145.554  | 1316 302 067 | MAN | 008A 17   | 146.210  | 1295 303 101 | MB  | 001A 50   |
| 145.534  | 1297 304 151 | DAF | 018A 37   | 145.554  | 1316 302 067 | IVE | 012A 20   | 146.210  | 1295 303 101 | MB  | 002A 58   |
| 145.535  | 1296 302 002 | MB  | 002A 8    | 145.554  | 1316 302 067 | IVE | 013A 17   | 146.210  | 1295 303 101 | MAN | 004A 50   |
| 145.535  | 1296 302 002 | DAF | 019A 8    | 145.554  | 1316 302 067 | RVI | 016A 20   | 146.210  | 1295 303 101 | MAN | 005A 58   |
| 145.536  | 1296 304 088 | MB  | 002A 35   | 145.554  | 1316 302 067 | RVI | 017A 17   | 146.210  | 1295 303 101 | IVE | 009A 58   |
| 145.536  | 1296 304 088 | DAF | 019A 35   | 145.554  | 1316 302 067 | DAF | 022A 20   | 146.210  | 1295 303 101 | RVI | 014A 58   |
| 145.537  | 1296 304 071 | MB  | 002A 39   | 145.554  | 1316 302 067 | DAF | 023A 17   | 146.210  | 1295 303 101 | DAF | 019A 58   |
| 145.537  | 1296 304 071 | DAF | 019A 39   | 145.555  | 1316 304 066 | MAN | 008A 39   | 146.210  | 1295 303 101 | DAF | 020A 61   |
| 145.538  | 1296 304 100 | MB  | 002A 45   | 145.555  | 1316 304 066 | RVI | 017A 39   | 146.210  | 1295 303 101 | VOL | 024A 58   |
| 145.538  | 1296 304 100 | DAF | 019A 45   | 145.555  | 1316 304 066 | DAF | 023A 39   | 146.211  | 1295 303 026 | MB  | 002A 60   |
| 145.541  | 1295 302 122 | MB  | 001A 12   | 145.556  | 1315 302 158 | MAN | 007A 20   | 146.211  | 1295 303 026 | MAN | 005A 60   |
| 145.541  | 1295 302 122 | MB  | 002A 8    | 145.556  | 1315 302 158 | MAN | 008A 17   | 146.211  | 1295 303 026 | IVE | 009A 60   |
| 145.541  | 1295 302 122 | MAN | 004A 12   | 145.556  | 1315 302 158 | IVE | 012A 20   | 146.211  | 1295 303 026 | RVI | 014A 60   |
| 145.541  | 1295 302 122 | MAN | 005A 8    | 145.556  | 1315 302 158 | IVE | 013A 17   | 146.211  | 1295 303 026 | DAF | 019A 60   |
| 145.541  | 1295 302 122 | IVE | 009A 8    | 145.556  | 1315 302 158 | RVI | 016A 20   | 146.211  | 1295 303 026 | DAF | 020A 63   |
| 145.541  | 1295 302 122 | RVI | 014A 8    | 145.556  | 1315 302 158 | RVI | 017A 17   | 146.211  | 1295 303 026 | VOL | 024A 60   |
| 145.541  | 1295 302 122 | DAF | 019A 8    | 145.556  | 1315 302 158 | DAF | 022A 20   | 146.212  | 1295 304 135 | MB  | 002A 30   |
| 145.541  | 1295 302 122 | DAF | 020A 8    | 145.556  | 1315 302 158 | DAF | 023A 17   | 146.212  | 1295 304 135 | MAN | 005A 30   |
| 145.541  | 1295 302 122 | VOL | 024A 8    | 145.557  | 1313 302 036 | MAN | 006A 8    | 146.212  | 1295 304 135 | IVE | 009A 30   |
| 145.545  | 1295 304 123 | MAN | 005A 45   | 145.557  | 1313 302 036 | IVE | 011A 8    | 146.212  | 1295 304 135 | RVI | 014A 30   |
| 145.545  | 1295 304 123 | DAF | 019A 45   | 145.557  | 1313 302 036 | RVI | 015A 8    | 146.212  | 1295 304 135 | DAF | 019A 30   |
| 145.546  | 1295 304 184 | MB  | 001A 32   | 145.557  | 1313 302 036 | DAF | 021A 8    | 146.212  | 1295 304 135 | DAF | 020A 30   |
| 145.546  | 1295 304 184 | MAN | 004A 32   | 145.561  | 1316 302 057 | MAN | 008A 17   | 146.212  | 1295 304 135 | VOL | 024A 30   |
| 145.547  | 1295 304 185 | MB  | 001A 32   | 145.561  | 1316 302 057 | IVE | 013A 17   | 146.294  | 1297 304 413 | MB  | 002A 30   |
| 145.547  | 1295 304 185 | MAN | 004A 32   | 145.561  | 1316 302 057 | RVI | 017A 17   | 146.294  | 1297 304 413 | MAN | 005A 30   |
| 145.548  | 1295 304 204 | MB  | 001A 37   | 145.561  | 1316 302 057 | DAF | 023A 17   | 146.294  | 1297 304 413 | IVE | 009A 30   |
| 145.548  | 1295 304 204 | MAN | 004A 37   | 145.729  | 1315 304 010 | MAN | 007A 31   | 146.294  | 1297 304 413 | IVE | 010A 30   |
| 145.549  | 1295 304 194 | MAN | 004A 37   | 145.729  | 1315 304 010 | IVE | 012A 31   | 146.294  | 1297 304 413 | DAF | 019A 30   |
| 145.550  | 1295 304 205 | MB  | 001A 37   | 145.729  | 1315 304 010 | RVI | 016A 31   | 146.294  | 1297 304 413 | DAF | 020A 30   |
| 145.550  | 1295 304 205 | MAN | 004A 37   | 145.729  | 1315 304 010 | DAF | 022A 31   | 146.294  | 1297 304 413 | VOL | 024A 30   |
| 145.551  | 1295 304 188 | MB  | 001A 29   | 145.730  | 1316 304 006 | MAN | 007A 31   | 146.294  | 1297 304 413 | VOL | 025A 30   |
| 145.551  | 1295 304 188 | MAN | 004A 29   | 145.730  | 1316 304 006 | IVE | 012A 31   | 146.315  | 1297 304 318 | MB  | 002A 30   |
| 145.552  | 1295 304 187 | MB  | 001A 29   | 145.730  | 1316 304 006 | RVI | 016A 31   | 146.315  | 1297 304 318 | MAN | 005A 30   |
| 145.552  | 1295 304 187 | MAN | 004A 29   | 145.730  | 1316 304 006 | DAF | 022A 31   | 146.315  | 1297 304 318 | IVE | 009A 30   |
| 145.553  | 1315 302 157 | MAN | 007A 20   | 146.209  | 1295 303 027 | MB  | 001A 51   | 146.315  | 1297 304 318 | IVE | 010A 30   |

Date

03 / 2006

Table

Index

| Ref. CEI | Ref. ZF      | OEM | Tav. Fig. | Ref. CEI | Ref. ZF      | OEM | Tav. Fig. | Ref. CEI | Ref. ZF      | OEM | Tav. Fig. |
|----------|--------------|-----|-----------|----------|--------------|-----|-----------|----------|--------------|-----|-----------|
| 146.315  | 1297 304 318 | DAF | 019A 30   | 146.322  | 1297 303 066 | MB  | 001A 50   | 146.362  | 1296 304 090 | DAF | 019A 30   |
| 146.315  | 1297 304 318 | DAF | 020A 30   | 146.322  | 1297 303 066 | MB  | 002A 58   | 146.362  | 1296 304 090 | DAF | 020A 30   |
| 146.315  | 1297 304 318 | VOL | 024A 30   | 146.322  | 1297 303 066 | MAN | 004A 50   | 146.363  | 1296 303 002 | MB  | 002A 59   |
| 146.315  | 1297 304 318 | VOL | 025A 30   | 146.322  | 1297 303 066 | MAN | 005A 58   | 146.363  | 1296 303 002 | DAF | 019A 59   |
| 146.317  | 1312 304 031 | MB  | 003A 26   | 146.322  | 1297 303 066 | IVE | 009A 58   | 146.363  | 1296 303 002 | DAF | 020A 62   |
| 146.317  | 1312 304 031 | MAN | 006A 26   | 146.322  | 1297 303 066 | IVE | 010A 61   | 146.364  | 1296 303 014 | MB  | 002A 58   |
| 146.317  | 1312 304 031 | IVE | 011A 26   | 146.322  | 1297 303 066 | DAF | 018A 50   | 146.364  | 1296 303 014 | DAF | 019A 58   |
| 146.317  | 1312 304 031 | DAF | 021A 26   | 146.322  | 1297 303 066 | DAF | 019A 58   | 146.364  | 1296 303 014 | DAF | 020A 61   |
| 146.318  | 1297 304 260 | MB  | 002A 30   | 146.322  | 1297 303 066 | DAF | 020A 61   | 146.365  | 1315 303 004 | MAN | 007A 67   |
| 146.318  | 1297 304 260 | MAN | 005A 30   | 146.322  | 1297 303 066 | VOL | 024A 58   | 146.365  | 1315 303 004 | MAN | 008A 67   |
| 146.318  | 1297 304 260 | IVE | 009A 30   | 146.322  | 1297 303 066 | VOL | 025A 61   | 146.365  | 1315 303 004 | IVE | 012A 67   |
| 146.318  | 1297 304 260 | IVE | 010A 30   | 146.354  | 1295 303 036 | MB  | 001A 50   | 146.365  | 1315 303 004 | IVE | 013A 67   |
| 146.318  | 1297 304 260 | DAF | 019A 30   | 146.354  | 1295 303 036 | MB  | 002A 58   | 146.365  | 1315 303 004 | RVI | 016A 67   |
| 146.318  | 1297 304 260 | DAF | 020A 30   | 146.354  | 1295 303 036 | MAN | 004A 50   | 146.365  | 1315 303 004 | RVI | 017A 67   |
| 146.318  | 1297 304 260 | VOL | 024A 30   | 146.354  | 1295 303 036 | MAN | 005A 58   | 146.365  | 1315 303 004 | DAF | 022A 67   |
| 146.318  | 1297 304 260 | VOL | 025A 30   | 146.354  | 1295 303 036 | IVE | 009A 58   | 146.365  | 1315 303 004 | DAF | 023A 67   |
| 146.319  | 1297 303 098 | MB  | 001A 50   | 146.354  | 1295 303 036 | RVI | 014A 58   | 146.367  | 1315 303 008 | MAN | 007A 65   |
| 146.319  | 1297 303 098 | MB  | 002A 58   | 146.354  | 1295 303 036 | DAF | 019A 58   | 146.367  | 1315 303 008 | MAN | 008A 65   |
| 146.319  | 1297 303 098 | MAN | 004A 50   | 146.354  | 1295 303 036 | DAF | 020A 61   | 146.367  | 1315 303 008 | IVE | 012A 65   |
| 146.319  | 1297 303 098 | MAN | 005A 58   | 146.354  | 1295 303 036 | VOL | 024A 58   | 146.367  | 1315 303 008 | IVE | 013A 65   |
| 146.319  | 1297 303 098 | IVE | 009A 58   | 146.355  | 1295 303 025 | MB  | 002A 60   | 146.367  | 1315 303 008 | RVI | 016A 65   |
| 146.319  | 1297 303 098 | IVE | 010A 61   | 146.355  | 1295 303 025 | MAN | 005A 60   | 146.367  | 1315 303 008 | RVI | 017A 65   |
| 146.319  | 1297 303 098 | DAF | 018A 50   | 146.355  | 1295 303 025 | IVE | 009A 60   | 146.367  | 1315 303 008 | DAF | 022A 65   |
| 146.319  | 1297 303 098 | DAF | 019A 58   | 146.355  | 1295 303 025 | RVI | 014A 60   | 146.367  | 1315 303 008 | DAF | 023A 65   |
| 146.319  | 1297 303 098 | DAF | 020A 61   | 146.355  | 1295 303 025 | DAF | 019A 60   | 146.368  | 1315 303 010 | MAN | 007A 67   |
| 146.319  | 1297 303 098 | VOL | 024A 58   | 146.355  | 1295 303 025 | DAF | 020A 63   | 146.368  | 1315 303 010 | MAN | 008A 67   |
| 146.319  | 1297 303 098 | VOL | 025A 61   | 146.355  | 1295 303 025 | VOL | 024A 60   | 146.368  | 1315 303 010 | IVE | 012A 67   |
| 146.320  | 1315 304 089 | MAN | 007A 31   | 146.356  | 1295 304 136 | MB  | 002A 30   | 146.368  | 1315 303 010 | IVE | 013A 67   |
| 146.320  | 1315 304 089 | MAN | 008A 31   | 146.356  | 1295 304 136 | MAN | 005A 30   | 146.368  | 1315 303 010 | RVI | 016A 67   |
| 146.320  | 1315 304 089 | IVE | 012A 31   | 146.356  | 1295 304 136 | IVE | 009A 30   | 146.368  | 1315 303 010 | RVI | 017A 67   |
| 146.320  | 1315 304 089 | IVE | 013A 31   | 146.356  | 1295 304 136 | RVI | 014A 30   | 146.368  | 1315 303 010 | DAF | 022A 67   |
| 146.320  | 1315 304 089 | RVI | 016A 31   | 146.356  | 1295 304 136 | DAF | 019A 30   | 146.368  | 1315 303 010 | DAF | 023A 67   |
| 146.320  | 1315 304 089 | RVI | 017A 31   | 146.356  | 1295 304 136 | DAF | 020A 30   | 146.380  | 1297 303 077 | MB  | 001A 52   |
| 146.320  | 1315 304 089 | DAF | 022A 31   | 146.356  | 1295 304 136 | VOL | 024A 30   | 146.380  | 1297 303 077 | MAN | 004A 52   |
| 146.320  | 1315 304 089 | DAF | 023A 31   | 146.357  | 1297 303 073 | MB  | 002A 60   | 146.380  | 1297 303 077 | DAF | 018A 52   |
| 146.321  | 1297 303 086 | MB  | 002A 58   | 146.357  | 1297 303 073 | MAN | 005A 60   | 146.381  | 1297 303 065 | MB  | 001A 51   |
| 146.321  | 1297 303 086 | MAN | 005A 58   | 146.357  | 1297 303 073 | IVE | 009A 60   | 146.381  | 1297 303 065 | MB  | 002A 59   |
| 146.321  | 1297 303 086 | IVE | 009A 58   | 146.357  | 1297 303 073 | IVE | 010A 63   | 146.381  | 1297 303 065 | MAN | 004A 51   |
| 146.321  | 1297 303 086 | IVE | 010A 61   | 146.357  | 1297 303 073 | DAF | 019A 60   | 146.381  | 1297 303 065 | MAN | 005A 59   |
| 146.321  | 1297 303 086 | DAF | 019A 58   | 146.357  | 1297 303 073 | DAF | 020A 63   | 146.381  | 1297 303 065 | IVE | 009A 59   |
| 146.321  | 1297 303 086 | DAF | 020A 61   | 146.357  | 1297 303 073 | VOL | 024A 60   | 146.381  | 1297 303 065 | IVE | 010A 62   |
| 146.321  | 1297 303 086 | VOL | 024A 58   | 146.357  | 1297 303 073 | VOL | 025A 63   | 146.381  | 1297 303 065 | DAF | 018A 51   |
| 146.321  | 1297 303 086 | VOL | 025A 61   | 146.362  | 1296 304 090 | MB  | 002A 30   | 146.381  | 1297 303 065 | DAF | 019A 59   |

All original equipment manufacturers numbers, symbols, pictures, models and description used in this catalogue are for reference only, and it is not implied that any part listed is the product of these manufactures.  
Tutti i nostri particolari non sono originali ma con essi intercambiabili. I riferimenti originali, le figure, i modelli sono esposti a semplice titolo indicativo. La nostra produzione riporta il nostro marchio.

# CEI Index

| Ref. CEI | Ref. ZF      | OEM | Tav. Fig. | Ref. CEI | Ref. ZF      | OEM | Tav. Fig. | Ref. CEI | Ref. ZF      | OEM | Tav. Fig. |
|----------|--------------|-----|-----------|----------|--------------|-----|-----------|----------|--------------|-----|-----------|
| 146.381  | 1297 303 065 | DAF | 020A 62   | 146.390  | 1316 303 003 | RVI | 016A 66   | 146.408  | 1316 303 004 | RVI | 017A 66   |
| 146.381  | 1297 303 065 | VOL | 024A 59   | 146.390  | 1316 303 003 | DAF | 022A 66   | 146.408  | 1316 303 004 | DAF | 022A 66   |
| 146.381  | 1297 303 065 | VOL | 025A 62   | 146.391  | 1316 303 005 | MAN | 007A 67   | 146.408  | 1316 303 004 | DAF | 023A 66   |
| 146.382  | 1297 303 072 | MB  | 001A 51   | 146.391  | 1316 303 005 | MAN | 008A 67   | 146.409  | 1316 303 006 | MAN | 007A 67   |
| 146.382  | 1297 303 072 | MB  | 002A 59   | 146.391  | 1316 303 005 | IVE | 012A 67   | 146.409  | 1316 303 006 | MAN | 008A 67   |
| 146.382  | 1297 303 072 | MAN | 004A 51   | 146.391  | 1316 303 005 | IVE | 013A 67   | 146.409  | 1316 303 006 | IVE | 012A 67   |
| 146.382  | 1297 303 072 | MAN | 005A 59   | 146.391  | 1316 303 005 | RVI | 016A 67   | 146.409  | 1316 303 006 | IVE | 013A 67   |
| 146.382  | 1297 303 072 | IVE | 009A 59   | 146.391  | 1316 303 005 | RVI | 017A 67   | 146.409  | 1316 303 006 | RVI | 016A 67   |
| 146.382  | 1297 303 072 | IVE | 010A 62   | 146.391  | 1316 303 005 | DAF | 022A 67   | 146.409  | 1316 303 006 | RVI | 017A 67   |
| 146.382  | 1297 303 072 | DAF | 018A 51   | 146.391  | 1316 303 005 | DAF | 023A 67   | 146.409  | 1316 303 006 | DAF | 022A 67   |
| 146.382  | 1297 303 072 | DAF | 019A 59   | 146.398  | 1316 303 055 | MAN | 008A 65   | 146.409  | 1316 303 006 | DAF | 023A 67   |
| 146.382  | 1297 303 072 | DAF | 020A 62   | 146.398  | 1316 303 055 | IVE | 013A 65   | 146.410  | 1316 304 007 | MAN | 007A 31   |
| 146.382  | 1297 303 072 | VOL | 024A 59   | 146.398  | 1316 303 055 | RVI | 017A 65   | 146.410  | 1316 304 007 | MAN | 008A 31   |
| 146.382  | 1297 303 072 | VOL | 025A 62   | 146.398  | 1316 303 055 | DAF | 023A 65   | 146.410  | 1316 304 007 | IVE | 012A 31   |
| 146.383  | 1297 303 074 | MB  | 001A 50   | 146.399  | 1316 303 063 | MAN | 008A 66   | 146.410  | 1316 304 007 | IVE | 013A 31   |
| 146.383  | 1297 303 074 | MB  | 002A 58   | 146.399  | 1316 303 063 | IVE | 013A 66   | 146.410  | 1316 304 007 | RVI | 016A 31   |
| 146.383  | 1297 303 074 | MAN | 004A 50   | 146.399  | 1316 303 063 | RVI | 017A 66   | 146.410  | 1316 304 007 | RVI | 017A 31   |
| 146.383  | 1297 303 074 | MAN | 005A 58   | 146.399  | 1316 303 063 | DAF | 023A 66   | 146.410  | 1316 304 007 | DAF | 022A 31   |
| 146.383  | 1297 303 074 | IVE | 009A 58   | 146.400  | 1316 303 058 | MAN | 008A 67   | 146.410  | 1316 304 007 | DAF | 023A 31   |
| 146.383  | 1297 303 074 | IVE | 010A 61   | 146.400  | 1316 303 058 | IVE | 013A 67   | 146.411  | 1312 303 006 | MB  | 003A 58   |
| 146.383  | 1297 303 074 | DAF | 018A 50   | 146.400  | 1316 303 058 | RVI | 017A 67   | 146.411  | 1312 303 006 | MAN | 006A 58   |
| 146.383  | 1297 303 074 | DAF | 019A 58   | 146.400  | 1316 303 058 | DAF | 023A 67   | 146.411  | 1312 303 006 | IVE | 011A 58   |
| 146.383  | 1297 303 074 | DAF | 020A 61   | 146.401  | 1316 304 103 | MAN | 007A 31   | 146.411  | 1312 303 006 | DAF | 021A 58   |
| 146.383  | 1297 303 074 | VOL | 024A 58   | 146.401  | 1316 304 103 | MAN | 008A 31   | 146.412  | 1312 303 005 | MB  | 003A 58   |
| 146.383  | 1297 303 074 | VOL | 025A 61   | 146.401  | 1316 304 103 | IVE | 012A 31   | 146.412  | 1312 303 005 | MAN | 006A 58   |
| 146.384  | 1297 304 267 | MB  | 002A 30   | 146.401  | 1316 304 103 | IVE | 013A 31   | 146.412  | 1312 303 005 | IVE | 011A 58   |
| 146.384  | 1297 304 267 | MAN | 005A 30   | 146.401  | 1316 304 103 | RVI | 016A 31   | 146.412  | 1312 303 005 | DAF | 021A 58   |
| 146.384  | 1297 304 267 | IVE | 009A 30   | 146.401  | 1316 304 103 | RVI | 017A 31   | 146.413  | 1295 303 028 | MB  | 001A 51   |
| 146.384  | 1297 304 267 | IVE | 010A 30   | 146.401  | 1316 304 103 | DAF | 022A 31   | 146.413  | 1295 303 028 | MB  | 002A 59   |
| 146.384  | 1297 304 267 | DAF | 019A 30   | 146.401  | 1316 304 103 | DAF | 023A 31   | 146.413  | 1295 303 028 | MAN | 004A 51   |
| 146.384  | 1297 304 267 | DAF | 020A 30   | 146.407  | 1316 303 031 | MAN | 007A 65   | 146.413  | 1295 303 028 | MAN | 005A 59   |
| 146.384  | 1297 304 267 | VOL | 024A 30   | 146.407  | 1316 303 031 | MAN | 008A 65   | 146.413  | 1295 303 028 | IVE | 009A 59   |
| 146.384  | 1297 304 267 | VOL | 025A 30   | 146.407  | 1316 303 031 | IVE | 012A 65   | 146.413  | 1295 303 028 | RVI | 014A 59   |
| 146.388  | 1316 303 001 | MAN | 007A 65   | 146.407  | 1316 303 031 | IVE | 013A 65   | 146.413  | 1295 303 028 | DAF | 019A 59   |
| 146.388  | 1316 303 001 | IVE | 012A 65   | 146.407  | 1316 303 031 | RVI | 016A 65   | 146.413  | 1295 303 028 | DAF | 020A 62   |
| 146.388  | 1316 303 001 | RVI | 016A 65   | 146.407  | 1316 303 031 | RVI | 017A 65   | 146.413  | 1295 303 028 | VOL | 024A 59   |
| 146.388  | 1316 303 001 | DAF | 022A 65   | 146.407  | 1316 303 031 | DAF | 022A 65   | 146.414  | 1313 303 003 | MAN | 006A 59   |
| 146.389  | 1315 303 006 | MAN | 007A 66   | 146.407  | 1316 303 031 | DAF | 023A 65   | 146.414  | 1313 303 003 | IVE | 011A 59   |
| 146.389  | 1315 303 006 | IVE | 012A 66   | 146.408  | 1316 303 004 | MAN | 007A 66   | 146.414  | 1313 303 003 | RVI | 015A 59   |
| 146.389  | 1315 303 006 | RVI | 016A 66   | 146.408  | 1316 303 004 | MAN | 008A 66   | 146.414  | 1313 303 003 | DAF | 021A 59   |
| 146.389  | 1315 303 006 | DAF | 022A 66   | 146.408  | 1316 303 004 | IVE | 012A 66   | 146.415  | 1297 303 097 | MB  | 002A 59   |
| 146.390  | 1316 303 003 | MAN | 007A 66   | 146.408  | 1316 303 004 | IVE | 013A 66   | 146.415  | 1297 303 097 | MAN | 005A 59   |
| 146.390  | 1316 303 003 | IVE | 012A 66   | 146.408  | 1316 303 004 | RVI | 016A 66   | 146.415  | 1297 303 097 | IVE | 009A 59   |

Date

03 / 2006

Table

Index

| Ref. CEI | Ref. ZF      | OEM | Tav. Fig. | Ref. CEI | Ref. ZF      | OEM | Tav. Fig. | Ref. CEI | Ref. ZF      | OEM | Tav. Fig. |
|----------|--------------|-----|-----------|----------|--------------|-----|-----------|----------|--------------|-----|-----------|
| 146.415  | 1297 303 097 | IVE | 010A 62   | 146.422  | 1297 303 132 | VOL | 025A 63   | 146.431  | 1315 304 017 | IVE | 012A 31   |
| 146.415  | 1297 303 097 | DAF | 019A 59   | 146.423  | 1312 303 020 | MB  | 003A 60   | 146.431  | 1315 304 017 | IVE | 013A 31   |
| 146.415  | 1297 303 097 | DAF | 020A 62   | 146.423  | 1312 303 020 | MAN | 006A 60   | 146.431  | 1315 304 017 | RVI | 016A 31   |
| 146.415  | 1297 303 097 | VOL | 024A 59   | 146.423  | 1312 303 020 | IVE | 011A 60   | 146.431  | 1315 304 017 | RVI | 017A 31   |
| 146.415  | 1297 303 097 | VOL | 025A 62   | 146.423  | 1312 303 020 | DAF | 021A 60   | 146.431  | 1315 304 017 | DAF | 022A 31   |
| 146.416  | 1297 303 123 | MB  | 002A 59   | 146.424  | 1312 303 021 | MB  | 003A 60   | 146.431  | 1315 304 017 | DAF | 023A 31   |
| 146.416  | 1297 303 123 | MAN | 005A 59   | 146.424  | 1312 303 021 | MAN | 006A 60   | 146.442  | 1296 304 131 | MAN | 006A 26   |
| 146.416  | 1297 303 123 | IVE | 009A 59   | 146.424  | 1312 303 021 | IVE | 011A 60   | 146.442  | 1296 304 131 | IVE | 011A 26   |
| 146.416  | 1297 303 123 | IVE | 010A 62   | 146.424  | 1312 303 021 | DAF | 021A 60   | 146.442  | 1296 304 131 | RVI | 015A 26   |
| 146.416  | 1297 303 123 | DAF | 019A 59   | 146.425  | 1312 304 032 | MB  | 003A 26   | 146.442  | 1296 304 131 | DAF | 021A 26   |
| 146.416  | 1297 303 123 | DAF | 020A 62   | 146.425  | 1312 304 032 | MAN | 006A 26   | 146.443  | 1296 303 037 | MAN | 006A 58   |
| 146.416  | 1297 303 123 | VOL | 024A 59   | 146.425  | 1312 304 032 | IVE | 011A 26   | 146.443  | 1296 303 037 | IVE | 011A 58   |
| 146.416  | 1297 303 123 | VOL | 025A 62   | 146.425  | 1312 304 032 | DAF | 021A 26   | 146.443  | 1296 303 037 | RVI | 015A 58   |
| 146.417  | 1312 303 017 | MB  | 003A 59   | 146.426  | 1316 303 065 | MAN | 007A 66   | 146.443  | 1296 303 037 | DAF | 021A 58   |
| 146.417  | 1312 303 017 | MAN | 006A 59   | 146.426  | 1316 303 065 | MAN | 008A 66   | 146.444  | 1296 303 036 | MAN | 006A 59   |
| 146.417  | 1312 303 017 | IVE | 011A 59   | 146.426  | 1316 303 065 | IVE | 012A 66   | 146.444  | 1296 303 036 | IVE | 011A 59   |
| 146.417  | 1312 303 017 | DAF | 021A 59   | 146.426  | 1316 303 065 | IVE | 013A 66   | 146.444  | 1296 303 036 | RVI | 015A 59   |
| 146.418  | 1312 303 016 | MB  | 003A 59   | 146.426  | 1316 303 065 | RVI | 016A 66   | 146.444  | 1296 303 036 | DAF | 021A 59   |
| 146.418  | 1312 303 016 | MAN | 006A 59   | 146.426  | 1316 303 065 | RVI | 017A 66   | 146.445  | 1296 303 035 | MAN | 006A 60   |
| 146.418  | 1312 303 016 | IVE | 011A 59   | 146.426  | 1316 303 065 | DAF | 022A 66   | 146.445  | 1296 303 035 | IVE | 011A 60   |
| 146.418  | 1312 303 016 | DAF | 021A 59   | 146.426  | 1316 303 065 | DAF | 023A 66   | 146.445  | 1296 303 035 | RVI | 015A 60   |
| 146.419  | 1296 303 009 | MB  | 002A 60   | 146.427  | 1315 303 052 | MAN | 007A 65   | 146.445  | 1296 303 035 | DAF | 021A 60   |
| 146.419  | 1296 303 009 | DAF | 019A 60   | 146.427  | 1315 303 052 | MAN | 008A 65   | 146.446  | 1297 303 081 | MB  | 001A 52   |
| 146.419  | 1296 303 009 | DAF | 020A 63   | 146.427  | 1315 303 052 | IVE | 012A 65   | 146.446  | 1297 303 081 | MAN | 004A 52   |
| 146.420  | 1313 303 002 | MAN | 006A 60   | 146.427  | 1315 303 052 | IVE | 013A 65   | 146.446  | 1297 303 081 | DAF | 018A 52   |
| 146.420  | 1313 303 002 | IVE | 011A 60   | 146.427  | 1315 303 052 | RVI | 016A 65   | 146.447  | 1297 303 114 | MB  | 001A 51   |
| 146.420  | 1313 303 002 | RVI | 015A 60   | 146.427  | 1315 303 052 | RVI | 017A 65   | 146.447  | 1297 303 114 | MAN | 004A 51   |
| 146.420  | 1313 303 002 | DAF | 021A 60   | 146.427  | 1315 303 052 | DAF | 022A 65   | 146.447  | 1297 303 114 | DAF | 018A 51   |
| 146.421  | 1297 303 067 | MB  | 002A 60   | 146.427  | 1315 303 052 | DAF | 023A 65   | 146.448  | 1296 304 091 | MB  | 002A 30   |
| 146.421  | 1297 303 067 | MAN | 005A 60   | 146.428  | 1316 303 002 | MAN | 007A 65   | 146.448  | 1296 304 091 | DAF | 019A 30   |
| 146.421  | 1297 303 067 | IVE | 009A 60   | 146.428  | 1316 303 002 | IVE | 012A 65   | 146.449  | 1296 303 013 | MB  | 002A 58   |
| 146.421  | 1297 303 067 | IVE | 010A 63   | 146.428  | 1316 303 002 | RVI | 016A 65   | 146.449  | 1296 303 013 | DAF | 019A 58   |
| 146.421  | 1297 303 067 | DAF | 019A 60   | 146.428  | 1316 303 002 | DAF | 022A 65   | 146.450  | 1296 303 003 | MB  | 002A 59   |
| 146.421  | 1297 303 067 | DAF | 020A 63   | 146.429  | 1315 303 046 | MAN | 007A 66   | 146.450  | 1296 303 003 | DAF | 019A 59   |
| 146.421  | 1297 303 067 | VOL | 024A 60   | 146.429  | 1315 303 046 | MAN | 008A 66   | 146.451  | 1296 303 008 | MB  | 002A 60   |
| 146.421  | 1297 303 067 | VOL | 025A 63   | 146.429  | 1315 303 046 | IVE | 012A 66   | 146.451  | 1296 303 008 | DAF | 019A 60   |
| 146.422  | 1297 303 132 | MB  | 002A 60   | 146.429  | 1315 303 046 | IVE | 013A 66   | 146.454  | 1295 304 236 | MB  | 002A 30   |
| 146.422  | 1297 303 132 | MAN | 005A 60   | 146.429  | 1315 303 046 | RVI | 016A 66   | 146.454  | 1295 304 236 | MAN | 005A 30   |
| 146.422  | 1297 303 132 | IVE | 009A 60   | 146.429  | 1315 303 046 | RVI | 017A 66   | 146.454  | 1295 304 236 | IVE | 009A 30   |
| 146.422  | 1297 303 132 | IVE | 010A 63   | 146.429  | 1315 303 046 | DAF | 022A 66   | 146.454  | 1295 304 236 | RVI | 014A 30   |
| 146.422  | 1297 303 132 | DAF | 019A 60   | 146.429  | 1315 303 046 | DAF | 023A 66   | 146.454  | 1295 304 236 | DAF | 019A 30   |
| 146.422  | 1297 303 132 | DAF | 020A 63   | 146.431  | 1315 304 017 | MAN | 007A 31   | 146.454  | 1295 304 236 | DAF | 020A 30   |
| 146.422  | 1297 303 132 | VOL | 024A 60   | 146.431  | 1315 304 017 | MAN | 008A 31   | 146.454  | 1295 304 236 | VOL | 024A 30   |

All original equipment manufacturers numbers, symbols, pictures, models and description used in this catalogue are for reference only, and it is not implied that any part listed is the product of these manufactures.  
Tutti i nostri particolari non sono originali ma con essi intercambiabili. I riferimenti originali, le figure, i modelli sono esposti a semplice titolo indicativo. La nostra produzione riporta il nostro marchio.

CEI references index  
Indice riferimenti CEI

Date

03 / 2006

Table

Index

# CEI Index

| Ref. CEI | Ref. ZF      | OEM | Tav. | Fig. | Ref. CEI | Ref. ZF      | OEM | Tav. | Fig. | Ref. CEI | Ref. ZF      | OEM | Tav. | Fig. |
|----------|--------------|-----|------|------|----------|--------------|-----|------|------|----------|--------------|-----|------|------|
| 146.457  | 1295 303 060 | MB  | 001A | 50   | 146.473  | 1315 303 051 | RVI | 016A | 65   | 147.094  | 1295 305 052 | MB  | 002A | 65   |
| 146.457  | 1295 303 060 | MB  | 002A | 58   | 146.473  | 1315 303 051 | RVI | 017A | 65   | 147.094  | 1295 305 052 | MB  | 002A | 65   |
| 146.457  | 1295 303 060 | MAN | 004A | 50   | 146.473  | 1315 303 051 | DAF | 022A | 65   | 147.094  | 1295 305 052 | MAN | 004A | 57   |
| 146.457  | 1295 303 060 | MAN | 005A | 58   | 146.473  | 1315 303 051 | DAF | 023A | 65   | 147.094  | 1295 305 052 | MAN | 005A | 65   |
| 146.457  | 1295 303 060 | IVE | 009A | 58   | 146.474  | 1315 303 050 | MAN | 007A | 66   | 147.094  | 1295 305 052 | MAN | 005A | 65   |
| 146.457  | 1295 303 060 | RVI | 014A | 58   | 146.474  | 1315 303 050 | MAN | 008A | 66   | 147.094  | 1295 305 052 | IVE | 009A | 65   |
| 146.457  | 1295 303 060 | DAF | 019A | 58   | 146.474  | 1315 303 050 | IVE | 012A | 66   | 147.094  | 1295 305 052 | IVE | 009A | 65   |
| 146.457  | 1295 303 060 | DAF | 020A | 61   | 146.474  | 1315 303 050 | IVE | 013A | 66   | 147.094  | 1295 305 052 | IVE | 010A | 68   |
| 146.457  | 1295 303 060 | VOL | 024A | 58   | 146.474  | 1315 303 050 | RVI | 016A | 66   | 147.094  | 1295 305 052 | RVI | 014A | 65   |
| 146.461  | 1295 303 094 | MB  | 001A | 51   | 146.474  | 1315 303 050 | RVI | 017A | 66   | 147.094  | 1295 305 052 | DAF | 018A | 57   |
| 146.461  | 1295 303 094 | MB  | 002A | 59   | 146.474  | 1315 303 050 | DAF | 022A | 66   | 147.094  | 1295 305 052 | DAF | 019A | 65   |
| 146.461  | 1295 303 094 | MAN | 004A | 51   | 146.474  | 1315 303 050 | DAF | 023A | 66   | 147.094  | 1295 305 052 | DAF | 019A | 65   |
| 146.461  | 1295 303 094 | MAN | 005A | 59   | 146.475  | 1313 303 004 | MAN | 006A | 58   | 147.094  | 1295 305 052 | DAF | 019A | 65   |
| 146.461  | 1295 303 094 | IVE | 009A | 59   | 146.475  | 1313 303 004 | IVE | 011A | 58   | 147.094  | 1295 305 052 | DAF | 020A | 68   |
| 146.461  | 1295 303 094 | RVI | 014A | 59   | 146.475  | 1313 303 004 | RVI | 015A | 58   | 147.094  | 1295 305 052 | DAF | 020A | 68   |
| 146.461  | 1295 303 094 | DAF | 019A | 59   | 146.475  | 1313 303 004 | DAF | 021A | 58   | 147.094  | 1295 305 052 | DAF | 020A | 68   |
| 146.461  | 1295 303 094 | DAF | 020A | 62   | 146.476  | 1313 304 005 | MAN | 006A | 26   | 147.094  | 1295 305 052 | VOL | 024A | 65   |
| 146.461  | 1295 303 094 | VOL | 024A | 59   | 146.476  | 1313 304 005 | IVE | 011A | 26   | 147.094  | 1295 305 052 | VOL | 024A | 65   |
| 146.464  | 1295 304 181 | MB  | 001A | 26   | 146.476  | 1313 304 005 | RVI | 015A | 26   | 147.094  | 1295 305 052 | VOL | 025A | 68   |
| 146.464  | 1295 304 181 | MAN | 004A | 26   | 146.476  | 1313 304 005 | DAF | 021A | 26   | 147.109  | 1297 304 149 | MB  | 001A | 41   |
| 146.465  | 1295 304 182 | MB  | 001A | 26   | 146.485  | 1316 303 056 | MAN | 008A | 65   | 147.109  | 1297 304 149 | MB  | 002A | 49   |
| 146.465  | 1295 304 182 | MAN | 004A | 26   | 146.485  | 1316 303 056 | IVE | 013A | 65   | 147.109  | 1297 304 149 | MAN | 004A | 41   |
| 146.466  | 1295 304 303 | MB  | 001A | 26   | 146.485  | 1316 303 056 | RVI | 017A | 65   | 147.109  | 1297 304 149 | MAN | 005A | 49   |
| 146.466  | 1295 304 303 | MAN | 004A | 26   | 146.485  | 1316 303 056 | DAF | 023A | 65   | 147.109  | 1297 304 149 | IVE | 009A | 49   |
| 146.467  | 1295 303 005 | MB  | 001A | 52   | 146.486  | 1316 303 030 | MAN | 007A | 65   | 147.109  | 1297 304 149 | IVE | 010A | 52   |
| 146.467  | 1295 303 005 | MAN | 004A | 52   | 146.486  | 1316 303 030 | MAN | 008A | 65   | 147.109  | 1297 304 149 | DAF | 018A | 41   |
| 146.468  | 1295 303 006 | MB  | 001A | 52   | 146.486  | 1316 303 030 | IVE | 012A | 65   | 147.109  | 1297 304 149 | DAF | 019A | 49   |
| 146.468  | 1295 303 006 | MAN | 004A | 52   | 146.486  | 1316 303 030 | IVE | 013A | 65   | 147.109  | 1297 304 149 | DAF | 020A | 52   |
| 146.469  | 1316 303 064 | MAN | 007A | 65   | 146.486  | 1316 303 030 | RVI | 016A | 65   | 147.109  | 1297 304 149 | VOL | 024A | 49   |
| 146.469  | 1316 303 064 | MAN | 008A | 65   | 146.486  | 1316 303 030 | RVI | 017A | 65   | 147.109  | 1297 304 149 | VOL | 025A | 52   |
| 146.469  | 1316 303 064 | IVE | 012A | 65   | 146.486  | 1316 303 030 | DAF | 022A | 65   | 147.123  | 1315 304 006 | MAN | 007A | 60   |
| 146.469  | 1316 303 064 | IVE | 013A | 65   | 146.486  | 1316 303 030 | DAF | 023A | 65   | 147.123  | 1315 304 006 | MAN | 008A | 60   |
| 146.469  | 1316 303 064 | RVI | 016A | 65   | 147.093  | 1295 304 200 | MB  | 001A | 41   | 147.123  | 1315 304 006 | IVE | 012A | 60   |
| 146.469  | 1316 303 064 | RVI | 017A | 65   | 147.093  | 1295 304 200 | MB  | 002A | 49   | 147.123  | 1315 304 006 | IVE | 013A | 60   |
| 146.469  | 1316 303 064 | DAF | 022A | 65   | 147.093  | 1295 304 200 | MAN | 004A | 41   | 147.123  | 1315 304 006 | RVI | 016A | 60   |
| 146.469  | 1316 303 064 | DAF | 023A | 65   | 147.093  | 1295 304 200 | MAN | 005A | 49   | 147.123  | 1315 304 006 | RVI | 017A | 60   |
| 146.470  | 1316 303 040 | MAN | 008A | 67   | 147.093  | 1295 304 200 | IVE | 009A | 49   | 147.123  | 1315 304 006 | DAF | 022A | 60   |
| 146.470  | 1316 303 040 | RVI | 017A | 67   | 147.093  | 1295 304 200 | RVI | 014A | 49   | 147.123  | 1315 304 006 | DAF | 023A | 60   |
| 146.470  | 1316 303 040 | DAF | 023A | 67   | 147.093  | 1295 304 200 | DAF | 019A | 49   | 147.124  | 1315 304 013 | MAN | 007A | 60   |
| 146.473  | 1315 303 051 | MAN | 007A | 65   | 147.093  | 1295 304 200 | DAF | 020A | 52   | 147.124  | 1315 304 013 | MAN | 008A | 60   |
| 146.473  | 1315 303 051 | MAN | 008A | 65   | 147.093  | 1295 304 200 | VOL | 024A | 49   | 147.124  | 1315 304 013 | IVE | 012A | 60   |
| 146.473  | 1315 303 051 | IVE | 012A | 65   | 147.094  | 1295 305 052 | MB  | 001A | 57   | 147.124  | 1315 304 013 | IVE | 013A | 60   |
| 146.473  | 1315 303 051 | IVE | 013A | 65   | 147.094  | 1295 305 052 | MB  | 002A | 65   | 147.124  | 1315 304 013 | RVI | 016A | 60   |

Date

03 / 2006

Table

Index

| Ref. CEI | Ref. ZF      | OEM | Tav. | Fig. | Ref. CEI | Ref. ZF      | OEM | Tav. | Fig. | Ref. CEI | Ref. ZF      | OEM | Tav. | Fig. |
|----------|--------------|-----|------|------|----------|--------------|-----|------|------|----------|--------------|-----|------|------|
| 147.124  | 1315 304 013 | RVI | 017A | 60   | 147.133  | 1295 305 051 | DAF | 019A | 65   | 147.140  | 1297 304 148 | DAF | 019A | 49   |
| 147.124  | 1315 304 013 | DAF | 022A | 60   | 147.133  | 1295 305 051 | DAF | 019A | 65   | 147.140  | 1297 304 148 | DAF | 020A | 52   |
| 147.124  | 1315 304 013 | DAF | 023A | 60   | 147.133  | 1295 305 051 | DAF | 019A | 65   | 147.140  | 1297 304 148 | VOL | 024A | 49   |
| 147.126  | 1315 305 002 | MAN | 007A | 71   | 147.133  | 1295 305 051 | DAF | 020A | 68   | 147.140  | 1297 304 148 | VOL | 025A | 52   |
| 147.126  | 1315 305 002 | MAN | 008A | 71   | 147.133  | 1295 305 051 | DAF | 020A | 68   | 147.141  | 1312 304 088 | MB  | 003A | 54   |
| 147.126  | 1315 305 002 | IVE | 012A | 71   | 147.133  | 1295 305 051 | VOL | 024A | 65   | 147.141  | 1312 304 088 | MAN | 006A | 54   |
| 147.126  | 1315 305 002 | IVE | 013A | 71   | 147.133  | 1295 305 051 | VOL | 024A | 65   | 147.141  | 1312 304 088 | IVE | 011A | 54   |
| 147.126  | 1315 305 002 | RVI | 016A | 71   | 147.133  | 1295 305 051 | VOL | 025A | 68   | 147.141  | 1312 304 088 | DAF | 021A | 54   |
| 147.126  | 1315 305 002 | RVI | 017A | 71   | 147.134  | 1297 305 011 | MB  | 003A | 65   | 147.142  | 1315 305 005 | MAN | 007A | 71   |
| 147.126  | 1315 305 002 | DAF | 022A | 71   | 147.134  | 1297 305 011 | MAN | 006A | 65   | 147.142  | 1315 305 005 | MAN | 008A | 71   |
| 147.126  | 1315 305 002 | DAF | 023A | 71   | 147.134  | 1297 305 011 | IVE | 011A | 65   | 147.142  | 1315 305 005 | IVE | 012A | 71   |
| 147.127  | 1316 305 001 | MAN | 007A | 71   | 147.134  | 1297 305 011 | DAF | 021A | 65   | 147.142  | 1315 305 005 | IVE | 013A | 71   |
| 147.127  | 1316 305 001 | MAN | 008A | 71   | 147.135  | 1297 305 012 | MB  | 003A | 65   | 147.142  | 1315 305 005 | RVI | 016A | 71   |
| 147.127  | 1316 305 001 | IVE | 012A | 71   | 147.135  | 1297 305 012 | MAN | 006A | 65   | 147.142  | 1315 305 005 | RVI | 017A | 71   |
| 147.127  | 1316 305 001 | IVE | 013A | 71   | 147.135  | 1297 305 012 | IVE | 011A | 65   | 147.142  | 1315 305 005 | DAF | 022A | 71   |
| 147.127  | 1316 305 001 | RVI | 016A | 71   | 147.135  | 1297 305 012 | DAF | 021A | 65   | 147.142  | 1315 305 005 | DAF | 023A | 71   |
| 147.127  | 1316 305 001 | RVI | 017A | 71   | 147.136  | 1296 304 097 | MB  | 002A | 49   | 147.143  | 1316 305 002 | MAN | 007A | 71   |
| 147.127  | 1316 305 001 | DAF | 022A | 71   | 147.136  | 1296 304 097 | DAF | 019A | 49   | 147.143  | 1316 305 002 | MAN | 008A | 71   |
| 147.127  | 1316 305 001 | DAF | 023A | 71   | 147.136  | 1296 304 097 | DAF | 020A | 52   | 147.143  | 1316 305 002 | IVE | 012A | 71   |
| 147.128  | 1316 304 012 | MAN | 007A | 60   | 147.137  | 1313 304 042 | MAN | 006A | 54   | 147.143  | 1316 305 002 | IVE | 013A | 71   |
| 147.128  | 1316 304 012 | MAN | 008A | 60   | 147.137  | 1313 304 042 | IVE | 011A | 54   | 147.143  | 1316 305 002 | RVI | 016A | 71   |
| 147.128  | 1316 304 012 | IVE | 012A | 60   | 147.137  | 1313 304 042 | RVI | 015A | 54   | 147.143  | 1316 305 002 | RVI | 017A | 71   |
| 147.128  | 1316 304 012 | IVE | 013A | 60   | 147.137  | 1313 304 042 | DAF | 021A | 54   | 147.143  | 1316 305 002 | DAF | 022A | 71   |
| 147.128  | 1316 304 012 | RVI | 016A | 60   | 147.138  | 1295 304 201 | MB  | 001A | 41   | 147.143  | 1316 305 002 | DAF | 023A | 71   |
| 147.128  | 1316 304 012 | RVI | 017A | 60   | 147.138  | 1295 304 201 | MB  | 002A | 49   | 147.144  | 1316 304 015 | MAN | 007A | 60   |
| 147.128  | 1316 304 012 | DAF | 022A | 60   | 147.138  | 1295 304 201 | MAN | 004A | 41   | 147.144  | 1316 304 015 | MAN | 008A | 60   |
| 147.128  | 1316 304 012 | DAF | 023A | 60   | 147.138  | 1295 304 201 | MAN | 005A | 49   | 147.144  | 1316 304 015 | IVE | 012A | 60   |
| 147.132  | 1313 305 002 | MAN | 006A | 65   | 147.138  | 1295 304 201 | IVE | 009A | 49   | 147.144  | 1316 304 015 | IVE | 013A | 60   |
| 147.132  | 1313 305 002 | IVE | 011A | 65   | 147.138  | 1295 304 201 | RVI | 014A | 49   | 147.144  | 1316 304 015 | RVI | 016A | 60   |
| 147.132  | 1313 305 002 | RVI | 015A | 65   | 147.138  | 1295 304 201 | DAF | 019A | 49   | 147.144  | 1316 304 015 | RVI | 017A | 60   |
| 147.132  | 1313 305 002 | DAF | 021A | 65   | 147.138  | 1295 304 201 | DAF | 020A | 52   | 147.144  | 1316 304 015 | DAF | 022A | 60   |
| 147.133  | 1295 305 051 | MB  | 001A | 57   | 147.138  | 1295 304 201 | VOL | 024A | 49   | 147.144  | 1316 304 015 | DAF | 023A | 60   |
| 147.133  | 1295 305 051 | MB  | 002A | 65   | 147.139  | 1312 304 087 | MB  | 003A | 54   | 147.147  | 1313 304 041 | MAN | 006A | 54   |
| 147.133  | 1295 305 051 | MB  | 002A | 65   | 147.139  | 1312 304 087 | MAN | 006A | 54   | 147.147  | 1313 304 041 | IVE | 011A | 54   |
| 147.133  | 1295 305 051 | MAN | 004A | 57   | 147.139  | 1312 304 087 | IVE | 011A | 54   | 147.147  | 1313 304 041 | RVI | 015A | 54   |
| 147.133  | 1295 305 051 | MAN | 005A | 65   | 147.139  | 1312 304 087 | DAF | 021A | 54   | 147.147  | 1313 304 041 | DAF | 021A | 54   |
| 147.133  | 1295 305 051 | MAN | 005A | 65   | 147.140  | 1297 304 148 | MB  | 001A | 41   | 147.148  | 1313 305 001 | MAN | 006A | 65   |
| 147.133  | 1295 305 051 | IVE | 009A | 65   | 147.140  | 1297 304 148 | MB  | 002A | 49   | 147.148  | 1313 305 001 | IVE | 011A | 65   |
| 147.133  | 1295 305 051 | IVE | 009A | 65   | 147.140  | 1297 304 148 | MAN | 004A | 41   | 147.148  | 1313 305 001 | RVI | 015A | 65   |
| 147.133  | 1295 305 051 | IVE | 009A | 65   | 147.140  | 1297 304 148 | MAN | 005A | 49   | 147.148  | 1313 305 001 | DAF | 021A | 65   |
| 147.133  | 1295 305 051 | IVE | 010A | 68   | 147.140  | 1297 304 148 | IVE | 009A | 49   | 147.151  | 1296 304 098 | MB  | 002A | 49   |
| 147.133  | 1295 305 051 | RVI | 014A | 65   | 147.140  | 1297 304 148 | IVE | 010A | 52   | 147.151  | 1296 304 098 | DAF | 019A | 49   |
| 147.133  | 1295 305 051 | DAF | 018A | 57   | 147.140  | 1297 304 148 | DAF | 018A | 41   | 147.152  | 1295 304 115 | MAN | 004A | 41   |

All original equipment manufacturers numbers, symbols, pictures, models and description used in this catalogue are for reference only, and it is not implied that any part listed is the product of these manufactures.  
Tutti i nostri particolari non sono originali ma con essi intercambiabili. I riferimenti originali, le figure, i modelli sono esposti a semplice titolo indicativo. La nostra produzione riporta il nostro marchio.

CEI references index  
Indice riferimenti CEI

Date

03 / 2006

Table

Index

# CEI Index

| Ref. CEI | Ref. ZF      | OEM | Tav. Fig. | Ref. CEI | Ref. ZF      | OEM | Tav. Fig. | Ref. CEI | Ref. ZF      | OEM | Tav. Fig. |
|----------|--------------|-----|-----------|----------|--------------|-----|-----------|----------|--------------|-----|-----------|
| 147.152  | 1295 304 115 | MAN | 005A 49   | 150.112  | 1295 332 021 | DAF | 019B 11   | 150.137  | 1297 332 035 | DAF | 020B 11   |
| 147.152  | 1295 304 115 | DAF | 019A 49   | 150.112  | 1295 332 021 | DAF | 020B 11   | 150.137  | 1297 332 035 | VOL | 024B 11   |
| 147.153  | 1297 305 003 | MB  | 002A 65   | 150.112  | 1295 332 021 | DAF | 020B 11   | 150.137  | 1297 332 035 | VOL | 024B 11   |
| 147.153  | 1297 305 003 | MAN | 004A 57   | 150.112  | 1295 332 021 | VOL | 024B 11   | 150.137  | 1297 332 035 | VOL | 025B 11   |
| 147.153  | 1297 305 003 | MAN | 005A 65   | 150.133  | 1313 332 020 | MAN | 006B 10   | 150.138  | 1297 332 017 | MB  | 001B 11   |
| 147.153  | 1297 305 003 | MAN | 005A 65   | 150.133  | 1313 332 020 | MAN | 007B 10   | 150.138  | 1297 332 017 | MB  | 002B 11   |
| 147.153  | 1297 305 003 | IVE | 009A 65   | 150.133  | 1313 332 020 | IVE | 011B 10   | 150.138  | 1297 332 017 | MAN | 004B 11   |
| 147.153  | 1297 305 003 | RVI | 014A 65   | 150.133  | 1313 332 020 | IVE | 012B 10   | 150.138  | 1297 332 017 | MAN | 005B 11   |
| 147.153  | 1297 305 003 | DAF | 019A 65   | 150.133  | 1313 332 020 | RVI | 015B 10   | 150.138  | 1297 332 017 | IVE | 009B 11   |
| 147.153  | 1297 305 003 | DAF | 019A 65   | 150.133  | 1313 332 020 | RVI | 016B 10   | 150.138  | 1297 332 017 | IVE | 010B 11   |
| 147.153  | 1297 305 003 | DAF | 020A 68   | 150.133  | 1313 332 020 | DAF | 021B 10   | 150.138  | 1297 332 017 | DAF | 018B 11   |
| 147.153  | 1297 305 003 | VOL | 024A 65   | 150.133  | 1313 332 020 | DAF | 022B 10   | 150.138  | 1297 332 017 | DAF | 019B 11   |
| 149.171  | 1312 234 002 | MB  | 001B 42   | 150.134  | 1297 332 120 | MB  | 002B 11   | 150.138  | 1297 332 017 | DAF | 020B 11   |
| 149.171  | 1312 234 002 | MB  | 002B 42   | 150.134  | 1297 332 120 | MB  | 003B 10   | 150.138  | 1297 332 017 | VOL | 024B 11   |
| 149.171  | 1312 234 002 | MB  | 003B 45   | 150.134  | 1297 332 120 | MAN | 005B 11   | 150.138  | 1297 332 017 | VOL | 025B 11   |
| 149.171  | 1312 234 002 | MAN | 004B 42   | 150.134  | 1297 332 120 | MAN | 006B 10   | 150.140  | 1315 332 002 | MAN | 007B 10   |
| 149.171  | 1312 234 002 | MAN | 005B 42   | 150.134  | 1297 332 120 | MAN | 007B 10   | 150.140  | 1315 332 002 | IVE | 012B 10   |
| 149.171  | 1312 234 002 | MAN | 006B 45   | 150.134  | 1297 332 120 | IVE | 009B 11   | 150.140  | 1315 332 002 | RVI | 016B 10   |
| 149.171  | 1312 234 002 | IVE | 009B 42   | 150.134  | 1297 332 120 | IVE | 010B 11   | 150.140  | 1315 332 002 | DAF | 022B 10   |
| 149.171  | 1312 234 002 | IVE | 010B 43   | 150.134  | 1297 332 120 | IVE | 011B 10   | 150.142  | 1295 332 084 | MB  | 001B 11   |
| 149.171  | 1312 234 002 | IVE | 011B 45   | 150.134  | 1297 332 120 | IVE | 012B 10   | 150.142  | 1295 332 084 | MAN | 004B 11   |
| 149.171  | 1312 234 002 | RVI | 014B 42   | 150.134  | 1297 332 120 | RVI | 016B 10   | 154.051  | 1257 304 020 | MB  | 002A 43   |
| 149.171  | 1312 234 002 | DAF | 018B 42   | 150.134  | 1297 332 120 | DAF | 019B 11   | 154.051  | 1257 304 020 | MAN | 005A 43   |
| 149.171  | 1312 234 002 | DAF | 019B 42   | 150.134  | 1297 332 120 | DAF | 021B 10   | 154.051  | 1257 304 020 | IVE | 009A 43   |
| 149.171  | 1312 234 002 | DAF | 020B 43   | 150.134  | 1297 332 120 | DAF | 022B 10   | 154.051  | 1257 304 020 | RVI | 014A 43   |
| 149.171  | 1312 234 002 | DAF | 021B 45   | 150.136  | 1316 332 103 | MAN | 008B 10   | 154.051  | 1257 304 020 | DAF | 019A 43   |
| 149.171  | 1312 234 002 | VOL | 024B 42   | 150.136  | 1316 332 103 | IVE | 013B 10   | 154.051  | 1257 304 020 | VOL | 024A 43   |
| 149.171  | 1312 234 002 | VOL | 025B 43   | 150.136  | 1316 332 103 | RVI | 017B 10   | 154.097  | 1295 304 002 | MB  | 001A 21   |
| 149.172  | 1295 312 018 | MB  | 002B 34   | 150.136  | 1316 332 103 | DAF | 023B 10   | 154.097  | 1295 304 002 | MB  | 002A 17   |
| 149.172  | 1295 312 018 | MAN | 005B 34   | 150.137  | 1297 332 035 | MB  | 001B 11   | 154.097  | 1295 304 002 | MB  | 002A 34   |
| 149.172  | 1295 312 018 | IVE | 009B 34   | 150.137  | 1297 332 035 | MB  | 002B 11   | 154.097  | 1295 304 002 | MB  | 002A 43   |
| 149.172  | 1295 312 018 | RVI | 014B 34   | 150.137  | 1297 332 035 | MB  | 002B 11   | 154.097  | 1295 304 002 | MAN | 004A 21   |
| 149.172  | 1295 312 018 | DAF | 019B 34   | 150.137  | 1297 332 035 | MAN | 004B 11   | 154.097  | 1295 304 002 | MAN | 005A 17   |
| 149.172  | 1295 312 018 | DAF | 020B 35   | 150.137  | 1297 332 035 | MAN | 005B 11   | 154.097  | 1295 304 002 | MAN | 005A 34   |
| 149.172  | 1295 312 018 | VOL | 024B 34   | 150.137  | 1297 332 035 | MAN | 005B 11   | 154.097  | 1295 304 002 | MAN | 005A 43   |
| 150.112  | 1295 332 021 | MB  | 001B 11   | 150.137  | 1297 332 035 | IVE | 009B 11   | 154.097  | 1295 304 002 | IVE | 009A 17   |
| 150.112  | 1295 332 021 | MB  | 002B 11   | 150.137  | 1297 332 035 | IVE | 009B 11   | 154.097  | 1295 304 002 | IVE | 009A 34   |
| 150.112  | 1295 332 021 | MB  | 002B 11   | 150.137  | 1297 332 035 | IVE | 010B 11   | 154.097  | 1295 304 002 | IVE | 009A 43   |
| 150.112  | 1295 332 021 | MAN | 004B 11   | 150.137  | 1297 332 035 | RVI | 014B 11   | 154.097  | 1295 304 002 | IVE | 010A 17   |
| 150.112  | 1295 332 021 | MAN | 005B 11   | 150.137  | 1297 332 035 | DAF | 018B 11   | 154.097  | 1295 304 002 | RVI | 014A 17   |
| 150.112  | 1295 332 021 | IVE | 009B 11   | 150.137  | 1297 332 035 | DAF | 019B 11   | 154.097  | 1295 304 002 | RVI | 014A 34   |
| 150.112  | 1295 332 021 | RVI | 014B 11   | 150.137  | 1297 332 035 | DAF | 019B 11   | 154.097  | 1295 304 002 | RVI | 014A 43   |
| 150.112  | 1295 332 021 | DAF | 019B 11   | 150.137  | 1297 332 035 | DAF | 020B 11   | 154.097  | 1295 304 002 | DAF | 018A 21   |

Date

03 / 2006

Table

Index

| Ref. CEI | Ref. ZF      | OEM | Tav. | Fig. | Ref. CEI | Ref. ZF      | OEM | Tav. | Fig. | Ref. CEI | Ref. ZF      | OEM | Tav. | Fig. |
|----------|--------------|-----|------|------|----------|--------------|-----|------|------|----------|--------------|-----|------|------|
| 154.097  | 1295 304 002 | DAF | 019A | 17   | 154.135  | 1310 304 202 | IVE | 011A | 30   | 154.202  | 1316 304 078 | MAN | 007A | 53   |
| 154.097  | 1295 304 002 | DAF | 019A | 34   | 154.135  | 1310 304 202 | IVE | 012A | 24   | 154.202  | 1316 304 078 | MAN | 008A | 53   |
| 154.097  | 1295 304 002 | DAF | 019A | 43   | 154.135  | 1310 304 202 | IVE | 012A | 36   | 154.202  | 1316 304 078 | IVE | 011A | 40   |
| 154.097  | 1295 304 002 | DAF | 020A | 17   | 154.135  | 1310 304 202 | IVE | 013A | 23   | 154.202  | 1316 304 078 | IVE | 012A | 53   |
| 154.097  | 1295 304 002 | VOL | 024A | 17   | 154.135  | 1310 304 202 | IVE | 013A | 36   | 154.202  | 1316 304 078 | IVE | 013A | 53   |
| 154.097  | 1295 304 002 | VOL | 024A | 34   | 154.135  | 1310 304 202 | RVI | 015A | 18   | 154.202  | 1316 304 078 | RVI | 015A | 40   |
| 154.097  | 1295 304 002 | VOL | 024A | 43   | 154.135  | 1310 304 202 | RVI | 015A | 30   | 154.202  | 1316 304 078 | RVI | 016A | 53   |
| 154.097  | 1295 304 002 | VOL | 025A | 17   | 154.135  | 1310 304 202 | RVI | 016A | 24   | 154.202  | 1316 304 078 | RVI | 017A | 53   |
| 154.098  | 1296 333 023 | MB  | 001B | 21   | 154.135  | 1310 304 202 | RVI | 016A | 36   | 154.202  | 1316 304 078 | DAF | 021A | 40   |
| 154.098  | 1296 333 023 | MB  | 002B | 21   | 154.135  | 1310 304 202 | RVI | 017A | 23   | 154.202  | 1316 304 078 | DAF | 022A | 53   |
| 154.098  | 1296 333 023 | MB  | 003B | 20   | 154.135  | 1310 304 202 | RVI | 017A | 36   | 154.202  | 1316 304 078 | DAF | 023A | 53   |
| 154.098  | 1296 333 023 | MAN | 004B | 21   | 154.135  | 1310 304 202 | DAF | 020A | 36   | 154.211  | 1295 304 179 | MB  | 001A | 28   |
| 154.098  | 1296 333 023 | MAN | 005B | 21   | 154.135  | 1310 304 202 | DAF | 021A | 18   | 154.211  | 1295 304 179 | MAN | 004A | 28   |
| 154.098  | 1296 333 023 | MAN | 006B | 20   | 154.135  | 1310 304 202 | DAF | 021A | 30   | 154.212  | 1295 304 178 | MB  | 001A | 34   |
| 154.098  | 1296 333 023 | MAN | 007B | 20   | 154.135  | 1310 304 202 | DAF | 022A | 24   | 154.212  | 1295 304 178 | MAN | 004A | 34   |
| 154.098  | 1296 333 023 | MAN | 008B | 23   | 154.135  | 1310 304 202 | DAF | 022A | 36   | 154.357  | 1315 304 135 | MB  | 003A | 30   |
| 154.098  | 1296 333 023 | IVE | 009B | 21   | 154.135  | 1310 304 202 | DAF | 023A | 23   | 154.357  | 1315 304 135 | MAN | 006A | 30   |
| 154.098  | 1296 333 023 | IVE | 010B | 21   | 154.135  | 1310 304 202 | DAF | 023A | 36   | 154.357  | 1315 304 135 | MAN | 007A | 36   |
| 154.098  | 1296 333 023 | IVE | 011B | 20   | 154.135  | 1310 304 202 | VOL | 025A | 36   | 154.357  | 1315 304 135 | MAN | 008A | 36   |
| 154.098  | 1296 333 023 | IVE | 012B | 20   | 154.136  | 1297 304 450 | IVE | 010A | 45   | 154.357  | 1315 304 135 | IVE | 011A | 30   |
| 154.098  | 1296 333 023 | IVE | 013B | 23   | 154.136  | 1297 304 450 | DAF | 020A | 45   | 154.357  | 1315 304 135 | IVE | 012A | 34   |
| 154.098  | 1296 333 023 | RVI | 014B | 21   | 154.136  | 1297 304 450 | DAF | 020A | 45   | 154.357  | 1315 304 135 | IVE | 013A | 36   |
| 154.098  | 1296 333 023 | RVI | 015B | 20   | 154.136  | 1297 304 450 | DAF | 020A | 45   | 154.357  | 1315 304 135 | RVI | 015A | 30   |
| 154.098  | 1296 333 023 | RVI | 016B | 20   | 154.136  | 1297 304 450 | VOL | 025A | 45   | 154.357  | 1315 304 135 | RVI | 016A | 36   |
| 154.098  | 1296 333 023 | RVI | 017B | 23   | 154.188  | 1297 304 119 | MB  | 001A | 34   | 154.357  | 1315 304 135 | RVI | 017A | 36   |
| 154.098  | 1296 333 023 | DAF | 018B | 21   | 154.188  | 1297 304 119 | MAN | 004A | 34   | 154.357  | 1315 304 135 | DAF | 021A | 30   |
| 154.098  | 1296 333 023 | DAF | 019B | 21   | 154.188  | 1297 304 119 | DAF | 018A | 34   | 154.357  | 1315 304 135 | DAF | 022A | 36   |
| 154.098  | 1296 333 023 | DAF | 020B | 21   | 154.189  | 1297 304 120 | MB  | 001A | 28   | 154.357  | 1315 304 135 | DAF | 023A | 36   |
| 154.098  | 1296 333 023 | DAF | 021B | 20   | 154.189  | 1297 304 120 | MAN | 004A | 28   | 154.358  | 1315 304 136 | MAN | 006A | 40   |
| 154.098  | 1296 333 023 | DAF | 022B | 20   | 154.189  | 1297 304 120 | DAF | 018A | 28   | 154.358  | 1315 304 136 | MAN | 007A | 53   |
| 154.098  | 1296 333 023 | DAF | 023B | 23   | 154.190  | 1310 304 175 | MB  | 003A | 47   | 154.358  | 1315 304 136 | MAN | 008A | 53   |
| 154.098  | 1296 333 023 | VOL | 024B | 21   | 154.190  | 1310 304 175 | MAN | 006A | 47   | 154.358  | 1315 304 136 | IVE | 011A | 40   |
| 154.098  | 1296 333 023 | VOL | 025B | 21   | 154.190  | 1310 304 175 | MAN | 007A | 48   | 154.358  | 1315 304 136 | IVE | 012A | 53   |
| 154.135  | 1310 304 202 | MB  | 003A | 18   | 154.190  | 1310 304 175 | MAN | 008A | 48   | 154.358  | 1315 304 136 | IVE | 013A | 53   |
| 154.135  | 1310 304 202 | MB  | 003A | 30   | 154.190  | 1310 304 175 | IVE | 011A | 47   | 154.358  | 1315 304 136 | RVI | 015A | 40   |
| 154.135  | 1310 304 202 | MAN | 006A | 18   | 154.190  | 1310 304 175 | IVE | 012A | 48   | 154.358  | 1315 304 136 | RVI | 016A | 53   |
| 154.135  | 1310 304 202 | MAN | 006A | 30   | 154.190  | 1310 304 175 | IVE | 013A | 48   | 154.358  | 1315 304 136 | RVI | 017A | 53   |
| 154.135  | 1310 304 202 | MAN | 007A | 24   | 154.190  | 1310 304 175 | RVI | 016A | 48   | 154.358  | 1315 304 136 | DAF | 021A | 40   |
| 154.135  | 1310 304 202 | MAN | 007A | 36   | 154.190  | 1310 304 175 | RVI | 017A | 48   | 154.358  | 1315 304 136 | DAF | 022A | 53   |
| 154.135  | 1310 304 202 | MAN | 008A | 23   | 154.190  | 1310 304 175 | DAF | 021A | 47   | 154.358  | 1315 304 136 | DAF | 023A | 53   |
| 154.135  | 1310 304 202 | MAN | 008A | 36   | 154.190  | 1310 304 175 | DAF | 022A | 48   | 155.135  | 1286 304 026 | MB  | 002A | 23   |
| 154.135  | 1310 304 202 | IVE | 010A | 36   | 154.190  | 1310 304 175 | DAF | 023A | 48   | 155.135  | 1286 304 026 | MAN | 005A | 23   |
| 154.135  | 1310 304 202 | IVE | 011A | 18   | 154.202  | 1316 304 078 | MAN | 006A | 40   | 155.135  | 1286 304 026 | IVE | 009A | 23   |

All original equipment manufacturers numbers, symbols, pictures, models and description used in this catalogue are for reference only, and it is not implied that any part listed is the product of these manufactures.  
Tutti i nostri particolari non sono originali ma con essi intercambiabili. I riferimenti originali, le figure, i modelli sono esposti a semplice titolo indicativo. La nostra produzione riporta il nostro marchio.



# CEI Index

| Ref. CEI | Ref. ZF      | OEM | Tav. | Fig. | Ref. CEI | Ref. ZF      | OEM | Tav. | Fig. | Ref. CEI | Ref. ZF      | OEM | Tav. | Fig. |
|----------|--------------|-----|------|------|----------|--------------|-----|------|------|----------|--------------|-----|------|------|
| 155.135  | 1286 304 026 | IVE | 010A | 23   | 156.037  | 0732 040 385 | MAN | 004A | 19   | 156.140  | 0732 040 409 | DAF | 020A | 35   |
| 156.036  | 0732 040 386 | MB  | 001A | 18   | 156.037  | 0732 040 385 | MAN | 004B | 20   | 156.140  | 0732 040 409 | DAF | 021A | 13   |
| 156.036  | 0732 040 386 | MB  | 001B | 19   | 156.037  | 0732 040 385 | MAN | 005A | 13   | 156.140  | 0732 040 409 | DAF | 022A | 37   |
| 156.036  | 0732 040 386 | MB  | 002A | 14   | 156.037  | 0732 040 385 | MAN | 005B | 20   | 156.140  | 0732 040 409 | DAF | 023A | 22   |
| 156.036  | 0732 040 386 | MB  | 002B | 19   | 156.037  | 0732 040 385 | MAN | 006B | 19   | 156.140  | 0732 040 409 | VOL | 025A | 35   |
| 156.036  | 0732 040 386 | MB  | 003B | 18   | 156.037  | 0732 040 385 | MAN | 007B | 19   | 156.176  | 1312 304 159 | MB  | 003A | 46   |
| 156.036  | 0732 040 386 | MAN | 004A | 18   | 156.037  | 0732 040 385 | MAN | 008B | 22   | 156.176  | 1312 304 159 | MAN | 006A | 46   |
| 156.036  | 0732 040 386 | MAN | 004B | 19   | 156.037  | 0732 040 385 | IVE | 009A | 13   | 156.176  | 1312 304 159 | MAN | 007A | 49   |
| 156.036  | 0732 040 386 | MAN | 005A | 14   | 156.037  | 0732 040 385 | IVE | 009B | 20   | 156.176  | 1312 304 159 | MAN | 008A | 49   |
| 156.036  | 0732 040 386 | MAN | 005B | 19   | 156.037  | 0732 040 385 | IVE | 010A | 13   | 156.176  | 1312 304 159 | IVE | 011A | 46   |
| 156.036  | 0732 040 386 | MAN | 006B | 18   | 156.037  | 0732 040 385 | IVE | 010B | 20   | 156.176  | 1312 304 159 | IVE | 012A | 49   |
| 156.036  | 0732 040 386 | MAN | 007B | 18   | 156.037  | 0732 040 385 | IVE | 011B | 19   | 156.176  | 1312 304 159 | IVE | 013A | 49   |
| 156.036  | 0732 040 386 | MAN | 008B | 21   | 156.037  | 0732 040 385 | IVE | 012B | 19   | 156.176  | 1312 304 159 | RVI | 016A | 49   |
| 156.036  | 0732 040 386 | IVE | 009A | 14   | 156.037  | 0732 040 385 | IVE | 013B | 22   | 156.176  | 1312 304 159 | RVI | 017A | 49   |
| 156.036  | 0732 040 386 | IVE | 009B | 19   | 156.037  | 0732 040 385 | RVI | 014A | 13   | 156.176  | 1312 304 159 | DAF | 021A | 46   |
| 156.036  | 0732 040 386 | IVE | 010A | 14   | 156.037  | 0732 040 385 | RVI | 014B | 20   | 156.176  | 1312 304 159 | DAF | 022A | 49   |
| 156.036  | 0732 040 386 | IVE | 010B | 19   | 156.037  | 0732 040 385 | RVI | 015B | 19   | 156.176  | 1312 304 159 | DAF | 023A | 49   |
| 156.036  | 0732 040 386 | IVE | 011B | 18   | 156.037  | 0732 040 385 | RVI | 016B | 19   | 157.110  | 1297 304 031 | MB  | 002A | 33   |
| 156.036  | 0732 040 386 | IVE | 012B | 18   | 156.037  | 0732 040 385 | RVI | 017B | 22   | 157.110  | 1297 304 031 | MB  | 002A | 42   |
| 156.036  | 0732 040 386 | IVE | 013B | 21   | 156.037  | 0732 040 385 | DAF | 018A | 19   | 157.110  | 1297 304 031 | MAN | 005A | 33   |
| 156.036  | 0732 040 386 | RVI | 014A | 14   | 156.037  | 0732 040 385 | DAF | 018B | 20   | 157.110  | 1297 304 031 | MAN | 005A | 42   |
| 156.036  | 0732 040 386 | RVI | 014B | 19   | 156.037  | 0732 040 385 | DAF | 019A | 13   | 157.110  | 1297 304 031 | IVE | 009A | 33   |
| 156.036  | 0732 040 386 | RVI | 015B | 18   | 156.037  | 0732 040 385 | DAF | 019B | 20   | 157.110  | 1297 304 031 | IVE | 009A | 42   |
| 156.036  | 0732 040 386 | RVI | 016B | 18   | 156.037  | 0732 040 385 | DAF | 020A | 13   | 157.110  | 1297 304 031 | RVI | 014A | 33   |
| 156.036  | 0732 040 386 | RVI | 017B | 21   | 156.037  | 0732 040 385 | DAF | 020B | 20   | 157.110  | 1297 304 031 | RVI | 014A | 42   |
| 156.036  | 0732 040 386 | DAF | 018A | 18   | 156.037  | 0732 040 385 | DAF | 021B | 19   | 157.110  | 1297 304 031 | DAF | 019A | 33   |
| 156.036  | 0732 040 386 | DAF | 018B | 19   | 156.037  | 0732 040 385 | DAF | 022B | 19   | 157.110  | 1297 304 031 | DAF | 019A | 42   |
| 156.036  | 0732 040 386 | DAF | 019A | 14   | 156.037  | 0732 040 385 | DAF | 023B | 22   | 157.110  | 1297 304 031 | VOL | 024A | 33   |
| 156.036  | 0732 040 386 | DAF | 019B | 19   | 156.037  | 0732 040 385 | VOL | 024A | 13   | 157.110  | 1297 304 031 | VOL | 024A | 42   |
| 156.036  | 0732 040 386 | DAF | 020A | 14   | 156.037  | 0732 040 385 | VOL | 024B | 20   | 157.111  | 1297 304 195 | MB  | 002A | 42   |
| 156.036  | 0732 040 386 | DAF | 020B | 19   | 156.037  | 0732 040 385 | VOL | 025A | 13   | 157.111  | 1297 304 195 | MAN | 005A | 42   |
| 156.036  | 0732 040 386 | DAF | 021B | 18   | 156.037  | 0732 040 385 | VOL | 025B | 20   | 157.111  | 1297 304 195 | IVE | 009A | 42   |
| 156.036  | 0732 040 386 | DAF | 022B | 18   | 156.140  | 0732 040 409 | MB  | 003A | 13   | 157.111  | 1297 304 195 | RVI | 014A | 42   |
| 156.036  | 0732 040 386 | DAF | 023B | 21   | 156.140  | 0732 040 409 | MAN | 006A | 13   | 157.111  | 1297 304 195 | DAF | 019A | 42   |
| 156.036  | 0732 040 386 | VOL | 024A | 14   | 156.140  | 0732 040 409 | MAN | 007A | 37   | 157.111  | 1297 304 195 | VOL | 024A | 42   |
| 156.036  | 0732 040 386 | VOL | 024B | 19   | 156.140  | 0732 040 409 | MAN | 008A | 22   | 157.112  | 1295 304 248 | MB  | 002A | 51   |
| 156.036  | 0732 040 386 | VOL | 025A | 14   | 156.140  | 0732 040 409 | IVE | 010A | 35   | 157.112  | 1295 304 248 | MAN | 005A | 51   |
| 156.036  | 0732 040 386 | VOL | 025B | 19   | 156.140  | 0732 040 409 | IVE | 011A | 13   | 157.112  | 1295 304 248 | IVE | 009A | 51   |
| 156.037  | 0732 040 385 | MB  | 001A | 19   | 156.140  | 0732 040 409 | IVE | 012A | 37   | 157.112  | 1295 304 248 | RVI | 014A | 51   |
| 156.037  | 0732 040 385 | MB  | 001B | 20   | 156.140  | 0732 040 409 | IVE | 013A | 22   | 157.112  | 1295 304 248 | DAF | 019A | 51   |
| 156.037  | 0732 040 385 | MB  | 002A | 13   | 156.140  | 0732 040 409 | RVI | 015A | 13   | 157.112  | 1295 304 248 | DAF | 020A | 54   |
| 156.037  | 0732 040 385 | MB  | 002B | 20   | 156.140  | 0732 040 409 | RVI | 016A | 37   | 157.112  | 1295 304 248 | VOL | 024A | 51   |
| 156.037  | 0732 040 385 | MB  | 003B | 19   | 156.140  | 0732 040 409 | RVI | 017A | 22   | 157.113  | 1296 333 002 | MB  | 001B | 17   |

Date

03 / 2006

Table

Index

| Ref. CEI | Ref. ZF      | OEM | Tav. | Fig. | Ref. CEI | Ref. ZF      | OEM | Tav. | Fig. | Ref. CEI | Ref. ZF      | OEM | Tav. | Fig. |
|----------|--------------|-----|------|------|----------|--------------|-----|------|------|----------|--------------|-----|------|------|
| 157.113  | 1296 333 002 | MB  | 002B | 17   | 157.181  | 1312 304 158 | MAN | 007A | 47   | 157.189  | 1313 304 008 | RVI | 017A | 52   |
| 157.113  | 1296 333 002 | MAN | 004B | 17   | 157.181  | 1312 304 158 | MAN | 008A | 47   | 157.189  | 1313 304 008 | DAF | 021A | 39   |
| 157.113  | 1296 333 002 | MAN | 005B | 17   | 157.181  | 1312 304 158 | IVE | 011A | 45   | 157.189  | 1313 304 008 | DAF | 022A | 52   |
| 157.113  | 1296 333 002 | IVE | 009B | 17   | 157.181  | 1312 304 158 | IVE | 012A | 47   | 157.189  | 1313 304 008 | DAF | 023A | 52   |
| 157.113  | 1296 333 002 | IVE | 010B | 17   | 157.181  | 1312 304 158 | IVE | 013A | 47   | 157.195  | 1297 304 188 | MB  | 001A | 27   |
| 157.113  | 1296 333 002 | RVI | 014B | 17   | 157.181  | 1312 304 158 | RVI | 016A | 47   | 157.195  | 1297 304 188 | MAN | 004A | 27   |
| 157.113  | 1296 333 002 | DAF | 018B | 17   | 157.181  | 1312 304 158 | RVI | 017A | 47   | 157.195  | 1297 304 188 | DAF | 018A | 27   |
| 157.113  | 1296 333 002 | DAF | 019B | 17   | 157.181  | 1312 304 158 | DAF | 021A | 45   | 157.197  | 1295 304 235 | MB  | 001A | 33   |
| 157.113  | 1296 333 002 | DAF | 020B | 17   | 157.181  | 1312 304 158 | DAF | 022A | 47   | 157.197  | 1295 304 235 | MAN | 004A | 33   |
| 157.113  | 1296 333 002 | VOL | 024B | 17   | 157.181  | 1312 304 158 | DAF | 023A | 47   | 157.197  | 1295 304 235 | DAF | 018A | 33   |
| 157.113  | 1296 333 002 | VOL | 025B | 17   | 157.182  | 1313 333 001 | MAN | 006B | 16   | 157.198  | 1297 304 439 | MB  | 002A | 52   |
| 157.139  | 1297 304 445 | IVE | 010A | 44   | 157.182  | 1313 333 001 | MAN | 007B | 16   | 157.198  | 1297 304 439 | MAN | 005A | 52   |
| 157.139  | 1297 304 445 | DAF | 020A | 44   | 157.182  | 1313 333 001 | MAN | 008B | 19   | 157.198  | 1297 304 439 | IVE | 009A | 52   |
| 157.139  | 1297 304 445 | VOL | 025A | 44   | 157.182  | 1313 333 001 | IVE | 011B | 16   | 157.198  | 1297 304 439 | IVE | 010A | 55   |
| 157.140  | 1297 304 446 | IVE | 010A | 33   | 157.182  | 1313 333 001 | IVE | 012B | 16   | 157.198  | 1297 304 439 | DAF | 019A | 52   |
| 157.140  | 1297 304 446 | DAF | 020A | 33   | 157.182  | 1313 333 001 | IVE | 013B | 19   | 157.198  | 1297 304 439 | DAF | 020A | 55   |
| 157.140  | 1297 304 446 | VOL | 025A | 33   | 157.182  | 1313 333 001 | RVI | 015B | 16   | 157.198  | 1297 304 439 | VOL | 024A | 52   |
| 157.177  | 1297 304 187 | MB  | 001A | 43   | 157.182  | 1313 333 001 | RVI | 016B | 16   | 157.198  | 1297 304 439 | VOL | 025A | 55   |
| 157.177  | 1297 304 187 | MB  | 002A | 51   | 157.182  | 1313 333 001 | RVI | 017B | 19   | 157.206  | 1297 304 265 | MB  | 001A | 44   |
| 157.177  | 1297 304 187 | MAN | 004A | 43   | 157.182  | 1313 333 001 | DAF | 021B | 16   | 157.206  | 1297 304 265 | MAN | 004A | 44   |
| 157.177  | 1297 304 187 | MAN | 005A | 51   | 157.182  | 1313 333 001 | DAF | 022B | 16   | 157.206  | 1297 304 265 | DAF | 018A | 44   |
| 157.177  | 1297 304 187 | IVE | 009A | 51   | 157.182  | 1313 333 001 | DAF | 023B | 19   | 157.207  | 1295 304 251 | MB  | 001A | 44   |
| 157.177  | 1297 304 187 | IVE | 010A | 54   | 157.183  | 1297 333 115 | MB  | 002B | 17   | 157.207  | 1295 304 251 | MB  | 002A | 52   |
| 157.177  | 1297 304 187 | DAF | 018A | 43   | 157.183  | 1297 333 115 | MB  | 003B | 16   | 157.207  | 1295 304 251 | MAN | 004A | 44   |
| 157.177  | 1297 304 187 | DAF | 019A | 51   | 157.183  | 1297 333 115 | MAN | 005B | 17   | 157.207  | 1295 304 251 | MAN | 005A | 52   |
| 157.177  | 1297 304 187 | DAF | 020A | 54   | 157.183  | 1297 333 115 | MAN | 006B | 16   | 157.207  | 1295 304 251 | IVE | 009A | 52   |
| 157.177  | 1297 304 187 | VOL | 024A | 51   | 157.183  | 1297 333 115 | MAN | 007B | 16   | 157.207  | 1295 304 251 | RVI | 014A | 52   |
| 157.177  | 1297 304 187 | VOL | 025A | 54   | 157.183  | 1297 333 115 | IVE | 009B | 17   | 157.207  | 1295 304 251 | DAF | 019A | 52   |
| 157.180  | 1312 304 052 | MB  | 003A | 29   | 157.183  | 1297 333 115 | IVE | 010B | 17   | 157.207  | 1295 304 251 | DAF | 020A | 55   |
| 157.180  | 1312 304 052 | MAN | 006A | 29   | 157.183  | 1297 333 115 | IVE | 011B | 16   | 157.207  | 1295 304 251 | VOL | 024A | 52   |
| 157.180  | 1312 304 052 | MAN | 007A | 35   | 157.183  | 1297 333 115 | IVE | 012B | 16   | 157.208  | 1295 304 234 | MB  | 001A | 27   |
| 157.180  | 1312 304 052 | MAN | 008A | 35   | 157.183  | 1297 333 115 | RVI | 016B | 16   | 157.208  | 1295 304 234 | MAN | 004A | 27   |
| 157.180  | 1312 304 052 | IVE | 011A | 29   | 157.183  | 1297 333 115 | DAF | 019B | 17   | 157.211  | 1295 304 247 | MB  | 001A | 43   |
| 157.180  | 1312 304 052 | IVE | 012A | 35   | 157.183  | 1297 333 115 | DAF | 021B | 16   | 157.211  | 1295 304 247 | MB  | 002A | 51   |
| 157.180  | 1312 304 052 | IVE | 013A | 35   | 157.183  | 1297 333 115 | DAF | 022B | 16   | 157.211  | 1295 304 247 | MAN | 004A | 43   |
| 157.180  | 1312 304 052 | RVI | 015A | 29   | 157.189  | 1313 304 008 | MAN | 006A | 39   | 157.211  | 1295 304 247 | DAF | 019A | 51   |
| 157.180  | 1312 304 052 | RVI | 016A | 35   | 157.189  | 1313 304 008 | MAN | 007A | 52   | 157.211  | 1295 304 247 | DAF | 020A | 54   |
| 157.180  | 1312 304 052 | RVI | 017A | 35   | 157.189  | 1313 304 008 | MAN | 008A | 52   | 157.227  | 1316 304 162 | MB  | 003A | 29   |
| 157.180  | 1312 304 052 | DAF | 021A | 29   | 157.189  | 1313 304 008 | IVE | 011A | 39   | 157.227  | 1316 304 162 | MAN | 006A | 29   |
| 157.180  | 1312 304 052 | DAF | 022A | 35   | 157.189  | 1313 304 008 | IVE | 012A | 52   | 157.227  | 1316 304 162 | MAN | 007A | 35   |
| 157.180  | 1312 304 052 | DAF | 023A | 35   | 157.189  | 1313 304 008 | IVE | 013A | 52   | 157.227  | 1316 304 162 | MAN | 008A | 35   |
| 157.181  | 1312 304 158 | MB  | 003A | 45   | 157.189  | 1313 304 008 | RVI | 015A | 39   | 157.227  | 1316 304 162 | IVE | 011A | 29   |
| 157.181  | 1312 304 158 | MAN | 006A | 45   | 157.189  | 1313 304 008 | RVI | 016A | 52   | 157.227  | 1316 304 162 | IVE | 012A | 35   |

All original equipment manufacturers numbers, symbols, pictures, models and description used in this catalogue are for reference only, and it is not implied that any part listed is the product of these manufactures.  
Tutti i nostri particolari non sono originali ma con essi intercambiabili. I riferimenti originali, le figure, i modelli sono esposti a semplice titolo indicativo. La nostra produzione riporta il nostro marchio.

CEI references index  
Indice riferimenti CEI

Date

03 / 2006

Table

Index

# CEI Index

| Ref. CEI | Ref. ZF      | OEM | Tav. Fig. | Ref. CEI | Ref. ZF      | OEM | Tav. Fig. | Ref. CEI | Ref. ZF      | OEM | Tav. Fig. |
|----------|--------------|-----|-----------|----------|--------------|-----|-----------|----------|--------------|-----|-----------|
| 157.227  | 1316 304 162 | IVE | 013A 35   | 160.116  | 1240 304 278 | DAF | 018A 17   | 160.192  | 0631 329 050 | MAN | 004B 4    |
| 157.227  | 1316 304 162 | RVI | 015A 29   | 160.116  | 1240 304 278 | DAF | 018B 18   | 160.192  | 0631 329 050 | MAN | 005B 4    |
| 157.227  | 1316 304 162 | RVI | 016A 35   | 160.116  | 1240 304 278 | DAF | 019A 15   | 160.192  | 0631 329 050 | IVE | 009B 4    |
| 157.227  | 1316 304 162 | RVI | 017A 35   | 160.116  | 1240 304 278 | DAF | 019B 18   | 160.192  | 0631 329 050 | IVE | 010B 4    |
| 157.227  | 1316 304 162 | DAF | 021A 29   | 160.116  | 1240 304 278 | DAF | 020A 15   | 160.192  | 0631 329 050 | RVI | 014B 4    |
| 157.227  | 1316 304 162 | DAF | 022A 35   | 160.116  | 1240 304 278 | DAF | 020B 18   | 160.192  | 0631 329 050 | DAF | 018B 4    |
| 157.227  | 1316 304 162 | DAF | 023A 35   | 160.116  | 1240 304 278 | DAF | 021B 17   | 160.192  | 0631 329 050 | DAF | 019B 4    |
| 157.228  | 1316 304 163 | MAN | 006A 39   | 160.116  | 1240 304 278 | DAF | 022B 17   | 160.192  | 0631 329 050 | DAF | 020B 4    |
| 157.228  | 1316 304 163 | MAN | 007A 52   | 160.116  | 1240 304 278 | DAF | 023B 20   | 160.192  | 0631 329 050 | VOL | 024B 4    |
| 157.228  | 1316 304 163 | MAN | 008A 52   | 160.116  | 1240 304 278 | VOL | 024A 15   | 160.192  | 0631 329 050 | VOL | 025B 4    |
| 157.228  | 1316 304 163 | IVE | 011A 39   | 160.116  | 1240 304 278 | VOL | 024B 18   | 160.194  | 0631 329 051 | MB  | 002B 4    |
| 157.228  | 1316 304 163 | IVE | 012A 52   | 160.116  | 1240 304 278 | VOL | 025A 15   | 160.194  | 0631 329 051 | MB  | 003B 4    |
| 157.228  | 1316 304 163 | IVE | 013A 52   | 160.116  | 1240 304 278 | VOL | 025B 18   | 160.194  | 0631 329 051 | MAN | 005B 4    |
| 157.228  | 1316 304 163 | RVI | 015A 39   | 160.189  | 1297 304 436 | MB  | 003A 14   | 160.194  | 0631 329 051 | MAN | 006B 4    |
| 157.228  | 1316 304 163 | RVI | 016A 52   | 160.189  | 1297 304 436 | MAN | 006A 14   | 160.194  | 0631 329 051 | MAN | 007B 4    |
| 157.228  | 1316 304 163 | RVI | 017A 52   | 160.189  | 1297 304 436 | MAN | 007A 38   | 160.194  | 0631 329 051 | MAN | 008B 4    |
| 157.228  | 1316 304 163 | DAF | 021A 39   | 160.189  | 1297 304 436 | MAN | 008A 21   | 160.194  | 0631 329 051 | IVE | 009B 4    |
| 157.228  | 1316 304 163 | DAF | 022A 52   | 160.189  | 1297 304 436 | IVE | 010A 34   | 160.194  | 0631 329 051 | IVE | 010B 4    |
| 157.228  | 1316 304 163 | DAF | 023A 52   | 160.189  | 1297 304 436 | IVE | 011A 14   | 160.194  | 0631 329 051 | IVE | 011B 4    |
| 160.116  | 1240 304 278 | MB  | 001A 17   | 160.189  | 1297 304 436 | IVE | 012A 38   | 160.194  | 0631 329 051 | IVE | 012B 4    |
| 160.116  | 1240 304 278 | MB  | 001B 18   | 160.189  | 1297 304 436 | IVE | 013A 21   | 160.194  | 0631 329 051 | IVE | 013B 4    |
| 160.116  | 1240 304 278 | MB  | 002A 15   | 160.189  | 1297 304 436 | RVI | 015A 14   | 160.194  | 0631 329 051 | RVI | 015B 4    |
| 160.116  | 1240 304 278 | MB  | 002B 18   | 160.189  | 1297 304 436 | RVI | 016A 38   | 160.194  | 0631 329 051 | RVI | 016B 4    |
| 160.116  | 1240 304 278 | MB  | 003B 17   | 160.189  | 1297 304 436 | RVI | 017A 21   | 160.194  | 0631 329 051 | RVI | 017B 4    |
| 160.116  | 1240 304 278 | MAN | 004A 17   | 160.189  | 1297 304 436 | DAF | 020A 34   | 160.194  | 0631 329 051 | DAF | 019B 4    |
| 160.116  | 1240 304 278 | MAN | 004B 18   | 160.189  | 1297 304 436 | DAF | 021A 14   | 160.194  | 0631 329 051 | DAF | 021B 4    |
| 160.116  | 1240 304 278 | MAN | 005A 15   | 160.189  | 1297 304 436 | DAF | 022A 38   | 160.194  | 0631 329 051 | DAF | 022B 4    |
| 160.116  | 1240 304 278 | MAN | 005B 18   | 160.189  | 1297 304 436 | DAF | 023A 21   | 160.194  | 0631 329 051 | DAF | 023B 4    |
| 160.116  | 1240 304 278 | MAN | 006B 17   | 160.189  | 1297 304 436 | VOL | 025A 34   | 160.195  | 0631 329 167 | MB  | 002B 3    |
| 160.116  | 1240 304 278 | MAN | 007B 17   | 160.191  | 0631 329 017 | MB  | 001B 3    | 160.195  | 0631 329 167 | MB  | 003B 3    |
| 160.116  | 1240 304 278 | MAN | 008B 20   | 160.191  | 0631 329 017 | MB  | 002B 3    | 160.195  | 0631 329 167 | MAN | 005B 3    |
| 160.116  | 1240 304 278 | IVE | 009A 15   | 160.191  | 0631 329 017 | MAN | 004B 3    | 160.195  | 0631 329 167 | MAN | 006B 3    |
| 160.116  | 1240 304 278 | IVE | 009B 18   | 160.191  | 0631 329 017 | MAN | 005B 3    | 160.195  | 0631 329 167 | MAN | 007B 3    |
| 160.116  | 1240 304 278 | IVE | 010A 15   | 160.191  | 0631 329 017 | IVE | 009B 3    | 160.195  | 0631 329 167 | MAN | 008B 3    |
| 160.116  | 1240 304 278 | IVE | 010B 18   | 160.191  | 0631 329 017 | IVE | 010B 3    | 160.195  | 0631 329 167 | IVE | 009B 3    |
| 160.116  | 1240 304 278 | IVE | 011B 17   | 160.191  | 0631 329 017 | RVI | 014B 3    | 160.195  | 0631 329 167 | IVE | 010B 3    |
| 160.116  | 1240 304 278 | IVE | 012B 17   | 160.191  | 0631 329 017 | DAF | 018B 3    | 160.195  | 0631 329 167 | IVE | 011B 3    |
| 160.116  | 1240 304 278 | IVE | 013B 20   | 160.191  | 0631 329 017 | DAF | 019B 3    | 160.195  | 0631 329 167 | IVE | 012B 3    |
| 160.116  | 1240 304 278 | RVI | 014A 15   | 160.191  | 0631 329 017 | DAF | 020B 3    | 160.195  | 0631 329 167 | IVE | 013B 3    |
| 160.116  | 1240 304 278 | RVI | 014B 18   | 160.191  | 0631 329 017 | VOL | 024B 3    | 160.195  | 0631 329 167 | RVI | 015B 3    |
| 160.116  | 1240 304 278 | RVI | 015B 17   | 160.191  | 0631 329 017 | VOL | 025B 3    | 160.195  | 0631 329 167 | RVI | 016B 3    |
| 160.116  | 1240 304 278 | RVI | 016B 17   | 160.192  | 0631 329 050 | MB  | 001B 4    | 160.195  | 0631 329 167 | RVI | 017B 3    |
| 160.116  | 1240 304 278 | RVI | 017B 20   | 160.192  | 0631 329 050 | MB  | 002B 4    | 160.195  | 0631 329 167 | DAF | 019B 3    |

Date

03 / 2006

Table

Index

| Ref. CEI | Ref. ZF      | OEM | Tav. | Fig. | Ref. CEI | Ref. ZF      | OEM | Tav. | Fig. | Ref. CEI | Ref. ZF      | OEM | Tav. | Fig. |
|----------|--------------|-----|------|------|----------|--------------|-----|------|------|----------|--------------|-----|------|------|
| 160.195  | 0631 329 167 | DAF | 021B | 3    | 169.410  | 0730 103 846 | MAN | 005B | 6    | 169.744  | 0730 107 168 | DAF | 023B | 6    |
| 160.195  | 0631 329 167 | DAF | 022B | 3    | 169.410  | 0730 103 846 | MAN | 006B | 6    | 169.744  | 0730 107 168 | DAF | 023B | 6    |
| 160.195  | 0631 329 167 | DAF | 023B | 3    | 169.410  | 0730 103 846 | IVE | 009B | 6    | 169.753  | 0501 306 212 | MB  | 001B | 5    |
| 169.234  | 0730 150 064 | MB  | 001A | 58   | 169.410  | 0730 103 846 | IVE | 010B | 6    | 169.753  | 0501 306 212 | MB  | 002B | 5    |
| 169.234  | 0730 150 064 | MB  | 002A | 66   | 169.410  | 0730 103 846 | IVE | 011B | 6    | 169.753  | 0501 306 212 | MB  | 002B | 5    |
| 169.234  | 0730 150 064 | MB  | 003A | 66   | 169.410  | 0730 103 846 | RVI | 014B | 6    | 169.753  | 0501 306 212 | MB  | 003B | 5    |
| 169.234  | 0730 150 064 | MAN | 004A | 58   | 169.410  | 0730 103 846 | DAF | 018B | 6    | 169.753  | 0501 306 212 | MAN | 004B | 5    |
| 169.234  | 0730 150 064 | MAN | 005A | 66   | 169.410  | 0730 103 846 | DAF | 019B | 6    | 169.753  | 0501 306 212 | MAN | 005B | 5    |
| 169.234  | 0730 150 064 | MAN | 006A | 66   | 169.410  | 0730 103 846 | DAF | 020B | 6    | 169.753  | 0501 306 212 | MAN | 005B | 5    |
| 169.234  | 0730 150 064 | IVE | 009A | 66   | 169.410  | 0730 103 846 | DAF | 021B | 6    | 169.753  | 0501 306 212 | MAN | 006B | 5    |
| 169.234  | 0730 150 064 | IVE | 010A | 69   | 169.410  | 0730 103 846 | VOL | 024B | 6    | 169.753  | 0501 306 212 | IVE | 009B | 5    |
| 169.234  | 0730 150 064 | IVE | 011A | 66   | 169.410  | 0730 103 846 | VOL | 025B | 6    | 169.753  | 0501 306 212 | IVE | 009B | 5    |
| 169.234  | 0730 150 064 | RVI | 014A | 66   | 169.744  | 0730 107 168 | MB  | 002B | 6    | 169.753  | 0501 306 212 | IVE | 010B | 5    |
| 169.234  | 0730 150 064 | RVI | 015A | 66   | 169.744  | 0730 107 168 | MB  | 003B | 6    | 169.753  | 0501 306 212 | IVE | 011B | 5    |
| 169.234  | 0730 150 064 | DAF | 018A | 58   | 169.744  | 0730 107 168 | MAN | 005B | 6    | 169.753  | 0501 306 212 | RVI | 014B | 5    |
| 169.234  | 0730 150 064 | DAF | 019A | 66   | 169.744  | 0730 107 168 | MAN | 006B | 6    | 169.753  | 0501 306 212 | DAF | 018B | 5    |
| 169.234  | 0730 150 064 | DAF | 020A | 69   | 169.744  | 0730 107 168 | MAN | 006B | 6    | 169.753  | 0501 306 212 | DAF | 019B | 5    |
| 169.234  | 0730 150 064 | DAF | 021A | 66   | 169.744  | 0730 107 168 | MAN | 007B | 6    | 169.753  | 0501 306 212 | DAF | 019B | 5    |
| 169.234  | 0730 150 064 | VOL | 024A | 66   | 169.744  | 0730 107 168 | MAN | 008B | 5    | 169.753  | 0501 306 212 | DAF | 020B | 5    |
| 169.234  | 0730 150 064 | VOL | 025A | 69   | 169.744  | 0730 107 168 | MAN | 008B | 5    | 169.753  | 0501 306 212 | DAF | 020B | 5    |
| 169.408  | 0501 305 887 | MB  | 001B | 5    | 169.744  | 0730 107 168 | MAN | 008B | 6    | 169.753  | 0501 306 212 | DAF | 021B | 5    |
| 169.408  | 0501 305 887 | MB  | 002B | 5    | 169.744  | 0730 107 168 | MAN | 008B | 6    | 169.753  | 0501 306 212 | VOL | 024B | 5    |
| 169.408  | 0501 305 887 | MB  | 002B | 5    | 169.744  | 0730 107 168 | IVE | 009B | 6    | 169.753  | 0501 306 212 | VOL | 024B | 5    |
| 169.408  | 0501 305 887 | MAN | 004B | 5    | 169.744  | 0730 107 168 | IVE | 010B | 6    | 169.753  | 0501 306 212 | VOL | 025B | 5    |
| 169.408  | 0501 305 887 | MAN | 005B | 5    | 169.744  | 0730 107 168 | IVE | 011B | 6    | 169.754  | 0730 061 816 | MB  | 001A | 9    |
| 169.408  | 0501 305 887 | IVE | 009B | 5    | 169.744  | 0730 107 168 | IVE | 011B | 6    | 169.754  | 0730 061 816 | MB  | 002A | 4    |
| 169.408  | 0501 305 887 | RVI | 014B | 5    | 169.744  | 0730 107 168 | IVE | 012B | 6    | 169.754  | 0730 061 816 | MB  | 003A | 4    |
| 169.408  | 0501 305 887 | DAF | 019B | 5    | 169.744  | 0730 107 168 | IVE | 013B | 5    | 169.754  | 0730 061 816 | MAN | 004A | 9    |
| 169.408  | 0501 305 887 | DAF | 019B | 5    | 169.744  | 0730 107 168 | IVE | 013B | 5    | 169.754  | 0730 061 816 | MAN | 005A | 4    |
| 169.408  | 0501 305 887 | DAF | 020B | 5    | 169.744  | 0730 107 168 | IVE | 013B | 6    | 169.754  | 0730 061 816 | MAN | 006A | 4    |
| 169.408  | 0501 305 887 | DAF | 020B | 5    | 169.744  | 0730 107 168 | IVE | 013B | 6    | 169.754  | 0730 061 816 | IVE | 009A | 4    |
| 169.408  | 0501 305 887 | VOL | 024B | 5    | 169.744  | 0730 107 168 | RVI | 015B | 6    | 169.754  | 0730 061 816 | IVE | 010A | 4    |
| 169.409  | 1295 304 240 | MB  | 002A | 50   | 169.744  | 0730 107 168 | RVI | 016B | 6    | 169.754  | 0730 061 816 | IVE | 011A | 4    |
| 169.409  | 1295 304 240 | MAN | 005A | 50   | 169.744  | 0730 107 168 | RVI | 017B | 5    | 169.754  | 0730 061 816 | RVI | 014A | 4    |
| 169.409  | 1295 304 240 | IVE | 009A | 50   | 169.744  | 0730 107 168 | RVI | 017B | 5    | 169.754  | 0730 061 816 | RVI | 015A | 4    |
| 169.409  | 1295 304 240 | RVI | 014A | 50   | 169.744  | 0730 107 168 | RVI | 017B | 6    | 169.754  | 0730 061 816 | DAF | 018A | 9    |
| 169.409  | 1295 304 240 | DAF | 019A | 50   | 169.744  | 0730 107 168 | RVI | 017B | 6    | 169.754  | 0730 061 816 | DAF | 019A | 4    |
| 169.409  | 1295 304 240 | DAF | 020A | 53   | 169.744  | 0730 107 168 | DAF | 019B | 6    | 169.754  | 0730 061 816 | DAF | 020A | 4    |
| 169.409  | 1295 304 240 | VOL | 024A | 50   | 169.744  | 0730 107 168 | DAF | 021B | 6    | 169.754  | 0730 061 816 | DAF | 021A | 4    |
| 169.410  | 0730 103 846 | MB  | 001B | 6    | 169.744  | 0730 107 168 | DAF | 021B | 6    | 169.754  | 0730 061 816 | VOL | 024A | 4    |
| 169.410  | 0730 103 846 | MB  | 002B | 6    | 169.744  | 0730 107 168 | DAF | 022B | 6    | 169.754  | 0730 061 816 | VOL | 025A | 4    |
| 169.410  | 0730 103 846 | MB  | 003B | 6    | 169.744  | 0730 107 168 | DAF | 023B | 5    | 169.755  | 0730 062 579 | MB  | 001A | 9    |
| 169.410  | 0730 103 846 | MAN | 004B | 6    | 169.744  | 0730 107 168 | DAF | 023B | 5    | 169.755  | 0730 062 579 | MB  | 002A | 4    |

All original equipment manufacturers numbers, symbols, pictures, models and description used in this catalogue are for reference only, and it is not implied that any part listed is the product of these manufactures.  
Tutti i nostri particolari non sono originali ma con essi intercambiabili. I riferimenti originali, le figure, i modelli sono esposti a semplice titolo indicativo. La nostra produzione riporta il nostro marchio.

CEI references index  
Indice riferimenti CEI

Date

03 / 2006

Table

Index

# CEI Index

| Ref. CEI | Ref. ZF      | OEM | Tav. | Fig. | Ref. CEI | Ref. ZF      | OEM | Tav. | Fig. | Ref. CEI | Ref. ZF      | OEM | Tav. | Fig. |
|----------|--------------|-----|------|------|----------|--------------|-----|------|------|----------|--------------|-----|------|------|
| 169.755  | 0730 062 579 | MAN | 004A | 9    | 169.776  | 0750 101 158 | IVE | 012A | 28   | 171.046  | 0735 470 164 | DAF | 022B | 7    |
| 169.755  | 0730 062 579 | MAN | 005A | 4    | 169.776  | 0750 101 158 | IVE | 013A | 28   | 171.062  | 0750 119 116 | MB  | 002B | 7    |
| 169.755  | 0730 062 579 | IVE | 009A | 4    | 169.776  | 0750 101 158 | RVI | 016A | 28   | 171.062  | 0750 119 116 | MB  | 003B | 7    |
| 169.755  | 0730 062 579 | IVE | 010A | 4    | 169.776  | 0750 101 158 | RVI | 017A | 28   | 171.062  | 0750 119 116 | MB  | 003B | 7    |
| 169.755  | 0730 062 579 | RVI | 014A | 4    | 169.776  | 0750 101 158 | DAF | 022A | 28   | 171.062  | 0750 119 116 | MAN | 005B | 7    |
| 169.755  | 0730 062 579 | DAF | 018A | 9    | 169.776  | 0750 101 158 | DAF | 023A | 28   | 171.062  | 0750 119 116 | MAN | 006B | 7    |
| 169.755  | 0730 062 579 | DAF | 019A | 4    | 171.016  | 0735 470 057 | MB  | 001B | 7    | 171.062  | 0750 119 116 | MAN | 006B | 7    |
| 169.755  | 0730 062 579 | DAF | 020A | 4    | 171.016  | 0735 470 057 | MB  | 002B | 7    | 171.062  | 0750 119 116 | MAN | 007B | 7    |
| 169.755  | 0730 062 579 | VOL | 024A | 4    | 171.016  | 0735 470 057 | MB  | 002B | 7    | 171.062  | 0750 119 116 | MAN | 008B | 7    |
| 169.755  | 0730 062 579 | VOL | 025A | 4    | 171.016  | 0735 470 057 | MAN | 004B | 7    | 171.062  | 0750 119 116 | IVE | 009B | 7    |
| 169.756  | 1296 304 117 | MB  | 002A | 50   | 171.016  | 0735 470 057 | MAN | 005B | 7    | 171.062  | 0750 119 116 | IVE | 010B | 7    |
| 169.756  | 1296 304 117 | DAF | 019A | 50   | 171.016  | 0735 470 057 | IVE | 009B | 7    | 171.062  | 0750 119 116 | IVE | 011B | 7    |
| 169.756  | 1296 304 117 | DAF | 020A | 53   | 171.016  | 0735 470 057 | RVI | 014B | 7    | 171.062  | 0750 119 116 | IVE | 011B | 7    |
| 169.757  | 1297 304 381 | MB  | 002A | 50   | 171.016  | 0735 470 057 | DAF | 019B | 7    | 171.062  | 0750 119 116 | IVE | 012B | 7    |
| 169.757  | 1297 304 381 | MAN | 005A | 50   | 171.016  | 0735 470 057 | DAF | 019B | 7    | 171.062  | 0750 119 116 | IVE | 013B | 7    |
| 169.757  | 1297 304 381 | IVE | 009A | 50   | 171.016  | 0735 470 057 | DAF | 020B | 7    | 171.062  | 0750 119 116 | RVI | 016B | 7    |
| 169.757  | 1297 304 381 | IVE | 010A | 53   | 171.016  | 0735 470 057 | DAF | 020B | 7    | 171.062  | 0750 119 116 | RVI | 017B | 7    |
| 169.757  | 1297 304 381 | DAF | 019A | 50   | 171.016  | 0735 470 057 | VOL | 024B | 7    | 171.062  | 0750 119 116 | DAF | 019B | 7    |
| 169.757  | 1297 304 381 | DAF | 020A | 53   | 171.045  | 0750 119 109 | MB  | 001B | 7    | 171.062  | 0750 119 116 | DAF | 021B | 7    |
| 169.757  | 1297 304 381 | VOL | 024A | 50   | 171.045  | 0750 119 109 | MB  | 002B | 7    | 171.062  | 0750 119 116 | DAF | 021B | 7    |
| 169.757  | 1297 304 381 | VOL | 025A | 53   | 171.045  | 0750 119 109 | MB  | 002B | 7    | 171.062  | 0750 119 116 | DAF | 022B | 7    |
| 169.758  | 1297 304 177 | MB  | 001A | 42   | 171.045  | 0750 119 109 | MAN | 004B | 7    | 171.062  | 0750 119 116 | DAF | 023B | 7    |
| 169.758  | 1297 304 177 | MAN | 004A | 42   | 171.045  | 0750 119 109 | MAN | 005B | 7    | 175.242  | 1315 301 223 | MAN | 007B | 23   |
| 169.758  | 1297 304 177 | DAF | 018A | 42   | 171.045  | 0750 119 109 | MAN | 005B | 7    | 175.242  | 1315 301 223 | IVE | 012B | 23   |
| 169.759  | 0501 308 981 | MB  | 002B | 5    | 171.045  | 0750 119 109 | IVE | 009B | 7    | 175.242  | 1315 301 223 | RVI | 016B | 23   |
| 169.759  | 0501 308 981 | MB  | 003B | 5    | 171.045  | 0750 119 109 | IVE | 009B | 7    | 175.242  | 1315 301 223 | DAF | 022B | 23   |
| 169.759  | 0501 308 981 | MAN | 005B | 5    | 171.045  | 0750 119 109 | IVE | 010B | 7    | 187.412  | 0737 502 092 | MB  | 001A | 24   |
| 169.759  | 0501 308 981 | MAN | 006B | 5    | 171.045  | 0750 119 109 | RVI | 014B | 7    | 187.412  | 0737 502 092 | MB  | 002A | 28   |
| 169.759  | 0501 308 981 | MAN | 006B | 5    | 171.045  | 0750 119 109 | DAF | 018B | 7    | 187.412  | 0737 502 092 | MAN | 004A | 24   |
| 169.759  | 0501 308 981 | MAN | 007B | 5    | 171.045  | 0750 119 109 | DAF | 019B | 7    | 187.412  | 0737 502 092 | MAN | 005A | 28   |
| 169.759  | 0501 308 981 | IVE | 009B | 5    | 171.045  | 0750 119 109 | DAF | 019B | 7    | 187.412  | 0737 502 092 | IVE | 009A | 28   |
| 169.759  | 0501 308 981 | IVE | 010B | 5    | 171.045  | 0750 119 109 | DAF | 020B | 7    | 187.412  | 0737 502 092 | IVE | 010A | 28   |
| 169.759  | 0501 308 981 | IVE | 011B | 5    | 171.045  | 0750 119 109 | DAF | 020B | 7    | 187.412  | 0737 502 092 | RVI | 014A | 28   |
| 169.759  | 0501 308 981 | IVE | 011B | 5    | 171.045  | 0750 119 109 | VOL | 024B | 7    | 187.412  | 0737 502 092 | DAF | 018A | 24   |
| 169.759  | 0501 308 981 | IVE | 012B | 5    | 171.045  | 0750 119 109 | VOL | 024B | 7    | 187.412  | 0737 502 092 | DAF | 019A | 28   |
| 169.759  | 0501 308 981 | RVI | 015B | 5    | 171.045  | 0750 119 109 | VOL | 025B | 7    | 187.412  | 0737 502 092 | DAF | 020A | 28   |
| 169.759  | 0501 308 981 | RVI | 016B | 5    | 171.046  | 0735 470 164 | MAN | 006B | 7    | 187.412  | 0737 502 092 | VOL | 024A | 28   |
| 169.759  | 0501 308 981 | DAF | 019B | 5    | 171.046  | 0735 470 164 | MAN | 007B | 7    | 187.412  | 0737 502 092 | VOL | 025A | 28   |
| 169.759  | 0501 308 981 | DAF | 021B | 5    | 171.046  | 0735 470 164 | IVE | 011B | 7    | 187.588  | 3081 303 063 | MB  | 001A | 24   |
| 169.759  | 0501 308 981 | DAF | 021B | 5    | 171.046  | 0735 470 164 | IVE | 012B | 7    | 187.588  | 3081 303 063 | MAN | 004A | 24   |
| 169.759  | 0501 308 981 | DAF | 022B | 5    | 171.046  | 0735 470 164 | RVI | 015B | 7    | 188.076  | 1272 304 021 | MB  | 001A | 46   |
| 169.776  | 0750 101 158 | MAN | 007A | 28   | 171.046  | 0735 470 164 | RVI | 016B | 7    | 188.076  | 1272 304 021 | MAN | 002A | 53   |
| 169.776  | 0750 101 158 | MAN | 008A | 28   | 171.046  | 0735 470 164 | DAF | 021B | 7    | 188.076  | 1272 304 021 | MAN | 004A | 46   |

Date

03 / 2006

Table

Index

| Ref. CEI | Ref. ZF      | OEM | Tav. Fig. | Ref. CEI | Ref. ZF      | OEM | Tav. Fig. | Ref. CEI | Ref. ZF      | OEM | Tav. Fig. |
|----------|--------------|-----|-----------|----------|--------------|-----|-----------|----------|--------------|-----|-----------|
| 188.076  | 1272 304 021 | MAN | 005A 53   | 188.209  | 1312 304 150 | MAN | 007A 62   | 189.422  | 1296 334 039 | DAF | 021B 43   |
| 188.076  | 1272 304 021 | IVE | 009A 53   | 188.209  | 1312 304 150 | MAN | 008A 62   | 189.422  | 1296 334 039 | DAF | 022B 43   |
| 188.076  | 1272 304 021 | IVE | 010A 56   | 188.209  | 1312 304 150 | IVE | 011A 56   | 189.422  | 1296 334 039 | DAF | 023B 45   |
| 188.076  | 1272 304 021 | RVI | 014A 53   | 188.209  | 1312 304 150 | IVE | 012A 62   | 189.422  | 1296 334 039 | VOL | 024B 44   |
| 188.076  | 1272 304 021 | DAF | 018A 46   | 188.209  | 1312 304 150 | IVE | 013A 62   | 189.422  | 1296 334 039 | VOL | 025B 45   |
| 188.076  | 1272 304 021 | DAF | 019A 53   | 188.209  | 1312 304 150 | RVI | 015A 56   | 190.168  | 1295 202 036 | IVE | 009A 19   |
| 188.076  | 1272 304 021 | DAF | 020A 56   | 188.209  | 1312 304 150 | RVI | 016A 62   | 190.169  | 1295 232 044 | MB  | 001B 1    |
| 188.076  | 1272 304 021 | VOL | 024A 53   | 188.209  | 1312 304 150 | RVI | 017A 62   | 190.169  | 1295 232 044 | MB  | 002B 1    |
| 188.076  | 1272 304 021 | VOL | 025A 56   | 188.209  | 1312 304 150 | DAF | 021A 56   | 190.169  | 1295 232 044 | MB  | 002B 1    |
| 188.077  | 1295 332 051 | MB  | 001B 28   | 188.209  | 1312 304 150 | DAF | 022A 62   | 190.169  | 1295 232 044 | MAN | 004B 1    |
| 188.077  | 1295 332 051 | MB  | 002B 28   | 188.209  | 1312 304 150 | DAF | 023A 62   | 190.169  | 1295 232 044 | MAN | 005B 1    |
| 188.077  | 1295 332 051 | MAN | 004B 28   | 189.421  | 1296 312 053 | MB  | 001B 37   | 190.169  | 1295 232 044 | IVE | 009B 1    |
| 188.077  | 1295 332 051 | MAN | 005B 28   | 189.421  | 1296 312 053 | MB  | 002B 37   | 190.169  | 1295 232 044 | RVI | 014B 1    |
| 188.077  | 1295 332 051 | MAN | 006B 27   | 189.421  | 1296 312 053 | MAN | 004B 37   | 190.169  | 1295 232 044 | DAF | 019B 1    |
| 188.077  | 1295 332 051 | IVE | 009B 28   | 189.421  | 1296 312 053 | MAN | 005B 37   | 190.169  | 1295 232 044 | DAF | 019B 1    |
| 188.077  | 1295 332 051 | IVE | 010B 28   | 189.421  | 1296 312 053 | IVE | 009B 37   | 190.169  | 1295 232 044 | DAF | 020B 1    |
| 188.077  | 1295 332 051 | IVE | 011B 27   | 189.421  | 1296 312 053 | IVE | 010B 38   | 190.169  | 1295 232 044 | DAF | 020B 1    |
| 188.077  | 1295 332 051 | RVI | 014B 28   | 189.421  | 1296 312 053 | RVI | 014B 37   | 190.169  | 1295 232 044 | VOL | 024B 1    |
| 188.077  | 1295 332 051 | RVI | 015B 27   | 189.421  | 1296 312 053 | DAF | 018B 37   | 190.296  | 1315 202 012 | MAN | 007A 18   |
| 188.077  | 1295 332 051 | DAF | 018B 28   | 189.421  | 1296 312 053 | DAF | 019B 37   | 190.296  | 1315 202 012 | IVE | 012A 18   |
| 188.077  | 1295 332 051 | DAF | 019B 28   | 189.421  | 1296 312 053 | DAF | 020B 38   | 190.296  | 1315 202 012 | RVI | 016A 18   |
| 188.077  | 1295 332 051 | DAF | 020B 28   | 189.421  | 1296 312 053 | VOL | 024B 37   | 190.296  | 1315 202 012 | DAF | 022A 18   |
| 188.077  | 1295 332 051 | DAF | 021B 27   | 189.421  | 1296 312 053 | VOL | 025B 38   | 190.297  | 1316 202 005 | MAN | 007A 18   |
| 188.077  | 1295 332 051 | VOL | 024B 28   | 189.422  | 1296 334 039 | MB  | 001B 44   | 190.297  | 1316 202 005 | IVE | 012A 18   |
| 188.077  | 1295 332 051 | VOL | 025B 28   | 189.422  | 1296 334 039 | MB  | 002B 44   | 190.297  | 1316 202 005 | RVI | 016A 18   |
| 188.078  | 1269 302 065 | MB  | 002A 24   | 189.422  | 1296 334 039 | MB  | 003B 43   | 190.297  | 1316 202 005 | DAF | 022A 18   |
| 188.078  | 1269 302 065 | MAN | 005A 24   | 189.422  | 1296 334 039 | MAN | 004B 44   | 190.300  | 1316 202 026 | MAN | 007A 21   |
| 188.078  | 1269 302 065 | IVE | 009A 24   | 189.422  | 1296 334 039 | MAN | 005B 44   | 190.300  | 1316 202 026 | MAN | 008A 20   |
| 188.078  | 1269 302 065 | IVE | 010A 24   | 189.422  | 1296 334 039 | MAN | 006B 43   | 190.300  | 1316 202 026 | IVE | 012A 21   |
| 188.208  | 0730 062 323 | MB  | 001A 20   | 189.422  | 1296 334 039 | MAN | 007B 43   | 190.300  | 1316 202 026 | IVE | 013A 20   |
| 188.208  | 0730 062 323 | MB  | 002A 16   | 189.422  | 1296 334 039 | MAN | 008B 45   | 190.300  | 1316 202 026 | RVI | 016A 21   |
| 188.208  | 0730 062 323 | MAN | 004A 20   | 189.422  | 1296 334 039 | IVE | 009B 44   | 190.300  | 1316 202 026 | RVI | 017A 20   |
| 188.208  | 0730 062 323 | MAN | 005A 16   | 189.422  | 1296 334 039 | IVE | 010B 45   | 190.300  | 1316 202 026 | DAF | 022A 21   |
| 188.208  | 0730 062 323 | IVE | 009A 16   | 189.422  | 1296 334 039 | IVE | 011B 43   | 190.300  | 1316 202 026 | DAF | 023A 20   |
| 188.208  | 0730 062 323 | IVE | 010A 16   | 189.422  | 1296 334 039 | IVE | 012B 43   | 190.301  | 1316 201 029 | MAN | 007A 72   |
| 188.208  | 0730 062 323 | RVI | 014A 16   | 189.422  | 1296 334 039 | IVE | 013B 45   | 190.301  | 1316 201 029 | MAN | 008A 72   |
| 188.208  | 0730 062 323 | DAF | 018A 20   | 189.422  | 1296 334 039 | RVI | 014B 44   | 190.301  | 1316 201 029 | IVE | 012A 72   |
| 188.208  | 0730 062 323 | DAF | 019A 16   | 189.422  | 1296 334 039 | RVI | 015B 43   | 190.301  | 1316 201 029 | IVE | 013A 72   |
| 188.208  | 0730 062 323 | DAF | 020A 16   | 189.422  | 1296 334 039 | RVI | 016B 43   | 190.301  | 1316 201 029 | RVI | 016A 72   |
| 188.208  | 0730 062 323 | VOL | 024A 16   | 189.422  | 1296 334 039 | RVI | 017B 45   | 190.301  | 1316 201 029 | RVI | 017A 72   |
| 188.208  | 0730 062 323 | VOL | 025A 16   | 189.422  | 1296 334 039 | DAF | 018B 44   | 190.301  | 1316 201 029 | DAF | 022A 72   |
| 188.209  | 1312 304 150 | MB  | 003A 56   | 189.422  | 1296 334 039 | DAF | 019B 44   | 190.301  | 1316 201 029 | DAF | 023A 72   |
| 188.209  | 1312 304 150 | MAN | 006A 56   | 189.422  | 1296 334 039 | DAF | 020B 45   | 190.302  | 1315 305 009 | MAN | 007A 73   |

All original equipment manufacturers numbers, symbols, pictures, models and description used in this catalogue are for reference only, and it is not implied that any part listed is the product of these manufactures.  
Tutti i nostri particolari non sono originali ma con essi intercambiabili. I riferimenti originali, le figure, i modelli sono esposti a semplice titolo indicativo. La nostra produzione riporta il nostro marchio.

CEI references index  
Indice riferimenti CEI

Date

03 / 2006

Table

Index

# CEI Index

| Ref. CEI | Ref. ZF      | OEM | Tav. Fig. | Ref. CEI | Ref. ZF      | OEM | Tav. Fig. | Ref. CEI | Ref. ZF      | OEM | Tav. Fig. |
|----------|--------------|-----|-----------|----------|--------------|-----|-----------|----------|--------------|-----|-----------|
| 190.302  | 1315 305 009 | MAN | 008A 73   | 190.317  | 1315 221 002 | MAN | 007A 21   | 190.395  | 1297 232 045 | MAN | 004B 1    |
| 190.302  | 1315 305 009 | IVE | 012A 73   | 190.317  | 1315 221 002 | MAN | 008A 20   | 190.395  | 1297 232 045 | MAN | 005B 1    |
| 190.302  | 1315 305 009 | IVE | 013A 73   | 190.317  | 1315 221 002 | IVE | 012A 21   | 190.395  | 1297 232 045 | MAN | 005B 1    |
| 190.302  | 1315 305 009 | RVI | 016A 73   | 190.317  | 1315 221 002 | IVE | 013A 20   | 190.395  | 1297 232 045 | IVE | 009B 1    |
| 190.302  | 1315 305 009 | RVI | 017A 73   | 190.317  | 1315 221 002 | RVI | 016A 21   | 190.395  | 1297 232 045 | IVE | 009B 1    |
| 190.302  | 1315 305 009 | DAF | 022A 73   | 190.317  | 1315 221 002 | RVI | 017A 20   | 190.395  | 1297 232 045 | IVE | 010B 1    |
| 190.302  | 1315 305 009 | DAF | 023A 73   | 190.317  | 1315 221 002 | DAF | 022A 21   | 190.395  | 1297 232 045 | RVI | 014B 1    |
| 190.303  | 1316 202 025 | MAN | 007A 21   | 190.317  | 1315 221 002 | DAF | 023A 20   | 190.395  | 1297 232 045 | DAF | 018B 1    |
| 190.303  | 1316 202 025 | MAN | 008A 20   | 190.325  | 1316 232 019 | MAN | 008B 1    | 190.395  | 1297 232 045 | DAF | 019B 1    |
| 190.303  | 1316 202 025 | IVE | 012A 21   | 190.325  | 1316 232 019 | MAN | 008B 1    | 190.395  | 1297 232 045 | DAF | 019B 1    |
| 190.303  | 1316 202 025 | IVE | 013A 20   | 190.325  | 1316 232 019 | IVE | 013B 1    | 190.395  | 1297 232 045 | DAF | 020B 1    |
| 190.303  | 1316 202 025 | RVI | 016A 21   | 190.325  | 1316 232 019 | IVE | 013B 1    | 190.395  | 1297 232 045 | DAF | 020B 1    |
| 190.303  | 1316 202 025 | RVI | 017A 20   | 190.325  | 1316 232 019 | RVI | 017B 1    | 190.395  | 1297 232 045 | DAF | 020B 1    |
| 190.303  | 1316 202 025 | DAF | 022A 21   | 190.325  | 1316 232 019 | RVI | 017B 1    | 190.395  | 1297 232 045 | VOL | 024B 1    |
| 190.303  | 1316 202 025 | DAF | 023A 20   | 190.325  | 1316 232 019 | DAF | 023B 1    | 190.395  | 1297 232 045 | VOL | 024B 1    |
| 190.304  | 1315 202 037 | MAN | 007A 21   | 190.325  | 1316 232 019 | DAF | 023B 1    | 190.395  | 1297 232 045 | VOL | 025B 1    |
| 190.304  | 1315 202 037 | MAN | 008A 20   | 190.392  | 1316 232 006 | MB  | 003B 1    | 190.396  | 1297 232 039 | MB  | 001B 1    |
| 190.304  | 1315 202 037 | IVE | 012A 21   | 190.392  | 1316 232 006 | MAN | 006B 1    | 190.396  | 1297 232 039 | MB  | 002B 1    |
| 190.304  | 1315 202 037 | IVE | 013A 20   | 190.392  | 1316 232 006 | MAN | 007B 1    | 190.396  | 1297 232 039 | MAN | 004B 1    |
| 190.304  | 1315 202 037 | RVI | 016A 21   | 190.392  | 1316 232 006 | IVE | 011B 1    | 190.396  | 1297 232 039 | MAN | 005B 1    |
| 190.304  | 1315 202 037 | RVI | 017A 20   | 190.392  | 1316 232 006 | IVE | 012B 1    | 190.396  | 1297 232 039 | IVE | 009B 1    |
| 190.304  | 1315 202 037 | DAF | 022A 21   | 190.392  | 1316 232 006 | RVI | 016B 1    | 190.396  | 1297 232 039 | IVE | 010B 1    |
| 190.304  | 1315 202 037 | DAF | 023A 20   | 190.392  | 1316 232 006 | RVI | 016B 1    | 190.396  | 1297 232 039 | DAF | 018B 1    |
| 190.309  | 1315 202 022 | MAN | 007A 18   | 190.392  | 1316 232 006 | DAF | 021B 1    | 190.396  | 1297 232 039 | DAF | 018B 1    |
| 190.309  | 1315 202 022 | IVE | 012A 18   | 190.392  | 1316 232 006 | DAF | 022B 1    | 190.396  | 1297 232 039 | DAF | 019B 1    |
| 190.309  | 1315 202 022 | RVI | 016A 18   | 190.393  | 1296 232 002 | MAN | 006B 1    | 190.396  | 1297 232 039 | DAF | 020B 1    |
| 190.309  | 1315 202 022 | DAF | 022A 18   | 190.393  | 1296 232 002 | MAN | 007B 1    | 190.396  | 1297 232 039 | DAF | 020B 1    |
| 190.310  | 1316 202 033 | MAN | 007A 21   | 190.393  | 1296 232 002 | IVE | 011B 1    | 190.396  | 1297 232 039 | VOL | 024B 1    |
| 190.310  | 1316 202 033 | MAN | 008A 20   | 190.393  | 1296 232 002 | IVE | 012B 1    | 190.396  | 1297 232 039 | VOL | 025B 1    |
| 190.310  | 1316 202 033 | IVE | 012A 21   | 190.393  | 1296 232 002 | RVI | 015B 1    | 196.270  | 1316 233 014 | MAN | 008B 25   |
| 190.310  | 1316 202 033 | IVE | 013A 20   | 190.393  | 1296 232 002 | RVI | 016B 1    | 196.270  | 1316 233 014 | IVE | 013B 25   |
| 190.310  | 1316 202 033 | RVI | 016A 21   | 190.393  | 1296 232 002 | DAF | 021B 1    | 196.270  | 1316 233 014 | RVI | 017B 25   |
| 190.310  | 1316 202 033 | RVI | 017A 20   | 190.393  | 1296 232 002 | DAF | 022B 1    | 196.270  | 1316 233 014 | DAF | 023B 25   |
| 190.310  | 1316 202 033 | DAF | 022A 21   | 190.394  | 1315 232 016 | MAN | 008B 1    | 196.352  | 1316 233 010 | MAN | 007B 22   |
| 190.310  | 1316 202 033 | DAF | 023A 20   | 190.394  | 1315 232 016 | MAN | 008B 1    | 196.352  | 1316 233 010 | IVE | 012B 22   |
| 190.315  | 1315 202 040 | MAN | 007A 21   | 190.394  | 1315 232 016 | IVE | 013B 1    | 196.352  | 1316 233 010 | RVI | 016B 22   |
| 190.315  | 1315 202 040 | MAN | 008A 20   | 190.394  | 1315 232 016 | RVI | 017B 1    | 196.352  | 1316 233 010 | DAF | 022B 22   |
| 190.315  | 1315 202 040 | IVE | 012A 21   | 190.394  | 1315 232 016 | RVI | 017B 1    | 196.353  | 1315 233 023 | MAN | 007B 22   |
| 190.315  | 1315 202 040 | IVE | 013A 20   | 190.394  | 1315 232 016 | DAF | 023B 1    | 196.353  | 1315 233 023 | IVE | 012B 22   |
| 190.315  | 1315 202 040 | RVI | 016A 21   | 190.394  | 1315 232 016 | DAF | 023B 1    | 196.353  | 1315 233 023 | RVI | 016B 22   |
| 190.315  | 1315 202 040 | RVI | 017A 20   | 190.395  | 1297 232 045 | MB  | 001B 1    | 196.353  | 1315 233 023 | DAF | 022B 22   |
| 190.315  | 1315 202 040 | DAF | 022A 21   | 190.395  | 1297 232 045 | MB  | 002B 1    | 197.051  | 1295 338 014 | MB  | 001B 27   |
| 190.315  | 1315 202 040 | DAF | 023A 20   | 190.395  | 1297 232 045 | MB  | 002B 1    | 197.051  | 1295 338 014 | MB  | 002B 27   |
|          |              |     |           | 190.395  | 1297 232 045 | MB  | 002B 1    | 197.051  | 1295 338 014 | MAN | 004B 27   |
|          |              |     |           |          |              |     |           | 197.051  | 1295 338 014 | MAN | 005B 27   |

Date

03 / 2006

Table

Index

| Ref. CEI | Ref. ZF      | OEM | Tav. | Fig. | Ref. CEI | Ref. ZF      | OEM | Tav. | Fig. | Ref. CEI | Ref. ZF      | OEM | Tav. | Fig. |
|----------|--------------|-----|------|------|----------|--------------|-----|------|------|----------|--------------|-----|------|------|
| 197.051  | 1295 338 014 | IVE | 009B | 27   | 198.339  | 1268 298 938 | DAF | 022B | 48   | 198.359  | 1295 233 025 | DAF | 019B | 22   |
| 197.051  | 1295 338 014 | RVI | 014B | 27   | 198.339  | 1268 298 938 | DAF | 023B | 50   | 198.359  | 1295 233 025 | DAF | 020B | 22   |
| 197.051  | 1295 338 014 | DAF | 019B | 27   | 198.339  | 1268 298 938 | VOL | 024A | 68   | 198.359  | 1295 233 025 | DAF | 020B | 22   |
| 197.051  | 1295 338 014 | DAF | 019B | 27   | 198.339  | 1268 298 938 | VOL | 024B | 46   | 198.359  | 1295 233 025 | VOL | 024B | 22   |
| 197.051  | 1295 338 014 | DAF | 020B | 27   | 198.339  | 1268 298 938 | VOL | 025A | 70   | 198.360  | 1295 206 255 | MB  | 002B | 32   |
| 197.051  | 1295 338 014 | VOL | 024B | 27   | 198.339  | 1268 298 938 | VOL | 025B | 47   | 198.360  | 1295 206 255 | MAN | 005B | 32   |
| 197.074  | 1295 338 016 | MB  | 002B | 27   | 198.357  | 1295 232 027 | MB  | 001B | 8    | 198.360  | 1295 206 255 | IVE | 009B | 32   |
| 197.074  | 1295 338 016 | MAN | 005B | 27   | 198.357  | 1295 232 027 | MB  | 002B | 8    | 198.360  | 1295 206 255 | RVI | 014B | 32   |
| 197.074  | 1295 338 016 | IVE | 009B | 27   | 198.357  | 1295 232 027 | MB  | 002B | 8    | 198.360  | 1295 206 255 | DAF | 019B | 32   |
| 197.074  | 1295 338 016 | RVI | 014B | 27   | 198.357  | 1295 232 027 | MAN | 004B | 8    | 198.360  | 1295 206 255 | VOL | 024B | 32   |
| 197.074  | 1295 338 016 | DAF | 019B | 27   | 198.357  | 1295 232 027 | MAN | 005B | 8    | 198.362  | 1295 206 213 | MB  | 002B | 30   |
| 197.074  | 1295 338 016 | VOL | 024B | 27   | 198.357  | 1295 232 027 | IVE | 009B | 8    | 198.362  | 1295 206 213 | MAN | 005B | 30   |
| 198.339  | 1268 298 938 | MB  | 001A | 60   | 198.357  | 1295 232 027 | RVI | 014B | 8    | 198.362  | 1295 206 213 | IVE | 009B | 30   |
| 198.339  | 1268 298 938 | MB  | 001B | 46   | 198.357  | 1295 232 027 | DAF | 019B | 8    | 198.362  | 1295 206 213 | RVI | 014B | 30   |
| 198.339  | 1268 298 938 | MB  | 002A | 68   | 198.357  | 1295 232 027 | DAF | 019B | 8    | 198.362  | 1295 206 213 | DAF | 019B | 30   |
| 198.339  | 1268 298 938 | MB  | 002B | 46   | 198.357  | 1295 232 027 | DAF | 020B | 8    | 198.362  | 1295 206 213 | VOL | 024B | 30   |
| 198.339  | 1268 298 938 | MB  | 003B | 46   | 198.357  | 1295 232 027 | DAF | 020B | 8    | 198.374  | 1313 233 001 | MB  | 001B | 22   |
| 198.339  | 1268 298 938 | MAN | 004A | 60   | 198.357  | 1295 232 027 | VOL | 024B | 8    | 198.374  | 1313 233 001 | MB  | 002B | 22   |
| 198.339  | 1268 298 938 | MAN | 004B | 46   | 198.358  | 1296 233 006 | MB  | 001B | 15   | 198.374  | 1313 233 001 | MB  | 002B | 22   |
| 198.339  | 1268 298 938 | MAN | 005A | 68   | 198.358  | 1296 233 006 | MB  | 002B | 15   | 198.374  | 1313 233 001 | MAN | 004B | 22   |
| 198.339  | 1268 298 938 | MAN | 005B | 46   | 198.358  | 1296 233 006 | MB  | 003B | 14   | 198.374  | 1313 233 001 | MAN | 005B | 22   |
| 198.339  | 1268 298 938 | MAN | 006B | 46   | 198.358  | 1296 233 006 | MAN | 004B | 15   | 198.374  | 1313 233 001 | MAN | 005B | 22   |
| 198.339  | 1268 298 938 | MAN | 007B | 48   | 198.358  | 1296 233 006 | MAN | 005B | 15   | 198.374  | 1313 233 001 | MAN | 006B | 21   |
| 198.339  | 1268 298 938 | MAN | 008B | 50   | 198.358  | 1296 233 006 | MAN | 006B | 14   | 198.374  | 1313 233 001 | MAN | 007B | 21   |
| 198.339  | 1268 298 938 | IVE | 009A | 68   | 198.358  | 1296 233 006 | IVE | 009B | 15   | 198.374  | 1313 233 001 | IVE | 009B | 22   |
| 198.339  | 1268 298 938 | IVE | 009B | 46   | 198.358  | 1296 233 006 | IVE | 010B | 15   | 198.374  | 1313 233 001 | IVE | 009B | 22   |
| 198.339  | 1268 298 938 | IVE | 010A | 70   | 198.358  | 1296 233 006 | IVE | 011B | 14   | 198.374  | 1313 233 001 | IVE | 010B | 22   |
| 198.339  | 1268 298 938 | IVE | 010B | 47   | 198.358  | 1296 233 006 | RVI | 014B | 15   | 198.374  | 1313 233 001 | IVE | 011B | 21   |
| 198.339  | 1268 298 938 | IVE | 011B | 46   | 198.358  | 1296 233 006 | RVI | 015B | 14   | 198.374  | 1313 233 001 | IVE | 012B | 21   |
| 198.339  | 1268 298 938 | IVE | 012B | 48   | 198.358  | 1296 233 006 | DAF | 018B | 15   | 198.374  | 1313 233 001 | RVI | 014B | 22   |
| 198.339  | 1268 298 938 | IVE | 013B | 50   | 198.358  | 1296 233 006 | DAF | 019B | 15   | 198.374  | 1313 233 001 | RVI | 015B | 21   |
| 198.339  | 1268 298 938 | RVI | 014A | 68   | 198.358  | 1296 233 006 | DAF | 020B | 15   | 198.374  | 1313 233 001 | RVI | 016B | 21   |
| 198.339  | 1268 298 938 | RVI | 014B | 46   | 198.358  | 1296 233 006 | DAF | 021B | 14   | 198.374  | 1313 233 001 | DAF | 018B | 22   |
| 198.339  | 1268 298 938 | RVI | 015B | 46   | 198.358  | 1296 233 006 | VOL | 024B | 15   | 198.374  | 1313 233 001 | DAF | 019B | 22   |
| 198.339  | 1268 298 938 | RVI | 016B | 48   | 198.358  | 1296 233 006 | VOL | 025B | 15   | 198.374  | 1313 233 001 | DAF | 019B | 22   |
| 198.339  | 1268 298 938 | RVI | 017B | 50   | 198.359  | 1295 233 025 | MB  | 001B | 22   | 198.374  | 1313 233 001 | DAF | 020B | 22   |
| 198.339  | 1268 298 938 | DAF | 018A | 60   | 198.359  | 1295 233 025 | MB  | 002B | 22   | 198.374  | 1313 233 001 | DAF | 020B | 22   |
| 198.339  | 1268 298 938 | DAF | 018B | 46   | 198.359  | 1295 233 025 | MB  | 002B | 22   | 198.374  | 1313 233 001 | DAF | 021B | 21   |
| 198.339  | 1268 298 938 | DAF | 019A | 68   | 198.359  | 1295 233 025 | MAN | 004B | 22   | 198.374  | 1313 233 001 | DAF | 022B | 21   |
| 198.339  | 1268 298 938 | DAF | 019B | 46   | 198.359  | 1295 233 025 | MAN | 005B | 22   | 198.374  | 1313 233 001 | VOL | 024B | 22   |
| 198.339  | 1268 298 938 | DAF | 020A | 70   | 198.359  | 1295 233 025 | IVE | 009B | 22   | 198.374  | 1313 233 001 | VOL | 024B | 22   |
| 198.339  | 1268 298 938 | DAF | 020B | 47   | 198.359  | 1295 233 025 | RVI | 014B | 22   | 198.374  | 1313 233 001 | VOL | 025B | 22   |
| 198.339  | 1268 298 938 | DAF | 021B | 46   | 198.359  | 1295 233 025 | DAF | 019B | 22   | 198.427  | 1295 298 915 | MB  | 002A | 72   |

All original equipment manufacturers numbers, symbols, pictures, models and description used in this catalogue are for reference only, and it is not implied that any part listed is the product of these manufacturers. Tutti i nostri particolari non sono originali ma con essi intercambiabili. I riferimenti originali, le figure, i modelli sono esposti a semplice titolo indicativo. La nostra produzione riporta il nostro marchio.



# CEI Index

| Ref. CEI | Ref. ZF      | OEM | Tav. | Fig. | Ref. CEI | Ref. ZF      | OEM | Tav. | Fig. | Ref. CEI | Ref. ZF      | OEM | Tav. | Fig. |
|----------|--------------|-----|------|------|----------|--------------|-----|------|------|----------|--------------|-----|------|------|
| 198.427  | 1295 298 915 | MB  | 002B | 51   | 198.428  | 1295 298 960 | VOL | 025A | 74   | 198.564  | CEI 198564   | RVI | 014A | 69   |
| 198.427  | 1295 298 915 | MB  | 003A | 69   | 198.428  | 1295 298 960 | VOL | 025B | 50   | 198.564  | CEI 198564   | RVI | 014B | 47   |
| 198.427  | 1295 298 915 | MB  | 003B | 50   | 198.437  | 1295 232 038 | MB  | 001B | 8    | 198.564  | CEI 198564   | RVI | 015B | 47   |
| 198.427  | 1295 298 915 | MAN | 005A | 72   | 198.437  | 1295 232 038 | MAN | 004B | 8    | 198.564  | CEI 198564   | RVI | 016B | 49   |
| 198.427  | 1295 298 915 | MAN | 005B | 51   | 198.447  | CEI 198447   | MB  | 001B | 49   | 198.564  | CEI 198564   | RVI | 017B | 51   |
| 198.427  | 1295 298 915 | MAN | 006A | 69   | 198.447  | CEI 198447   | MB  | 002B | 49   | 198.564  | CEI 198564   | DAF | 018A | 61   |
| 198.427  | 1295 298 915 | MAN | 006B | 50   | 198.447  | CEI 198447   | MAN | 004B | 49   | 198.564  | CEI 198564   | DAF | 018B | 47   |
| 198.427  | 1295 298 915 | IVE | 009A | 72   | 198.447  | CEI 198447   | MAN | 005B | 49   | 198.564  | CEI 198564   | DAF | 019A | 69   |
| 198.427  | 1295 298 915 | IVE | 009B | 51   | 198.447  | CEI 198447   | IVE | 009B | 49   | 198.564  | CEI 198564   | DAF | 019B | 47   |
| 198.427  | 1295 298 915 | IVE | 010A | 75   | 198.447  | CEI 198447   | RVI | 014B | 49   | 198.564  | CEI 198564   | DAF | 020A | 71   |
| 198.427  | 1295 298 915 | IVE | 010B | 51   | 198.447  | CEI 198447   | DAF | 019B | 49   | 198.564  | CEI 198564   | DAF | 020B | 48   |
| 198.427  | 1295 298 915 | IVE | 011A | 69   | 198.447  | CEI 198447   | VOL | 024B | 49   | 198.564  | CEI 198564   | DAF | 021B | 47   |
| 198.427  | 1295 298 915 | IVE | 011B | 50   | 198.562  | 1296 298 904 | MB  | 001B | 9    | 198.564  | CEI 198564   | DAF | 022B | 49   |
| 198.427  | 1295 298 915 | RVI | 014A | 72   | 198.562  | 1296 298 904 | MB  | 002B | 9    | 198.564  | CEI 198564   | DAF | 023B | 51   |
| 198.427  | 1295 298 915 | RVI | 014B | 51   | 198.562  | 1296 298 904 | MB  | 002B | 9    | 198.564  | CEI 198564   | VOL | 024A | 69   |
| 198.427  | 1295 298 915 | RVI | 015A | 69   | 198.562  | 1296 298 904 | MAN | 004B | 9    | 198.564  | CEI 198564   | VOL | 024B | 47   |
| 198.427  | 1295 298 915 | RVI | 015B | 50   | 198.562  | 1296 298 904 | MAN | 005B | 9    | 198.564  | CEI 198564   | VOL | 025A | 71   |
| 198.427  | 1295 298 915 | DAF | 019A | 72   | 198.562  | 1296 298 904 | IVE | 009B | 9    | 198.564  | CEI 198564   | VOL | 025B | 48   |
| 198.427  | 1295 298 915 | DAF | 019B | 51   | 198.562  | 1296 298 904 | RVI | 014B | 9    | 198.704  | 1297 298 912 | MB  | 001B | 9    |
| 198.427  | 1295 298 915 | DAF | 020A | 75   | 198.562  | 1296 298 904 | DAF | 019B | 9    | 198.704  | 1297 298 912 | MB  | 002B | 9    |
| 198.427  | 1295 298 915 | DAF | 020B | 51   | 198.562  | 1296 298 904 | DAF | 019B | 9    | 198.704  | 1297 298 912 | MAN | 004B | 9    |
| 198.427  | 1295 298 915 | DAF | 021A | 69   | 198.562  | 1296 298 904 | DAF | 020B | 9    | 198.704  | 1297 298 912 | MAN | 005B | 9    |
| 198.427  | 1295 298 915 | DAF | 021B | 50   | 198.562  | 1296 298 904 | DAF | 020B | 9    | 198.704  | 1297 298 912 | IVE | 009B | 9    |
| 198.427  | 1295 298 915 | VOL | 024A | 72   | 198.562  | 1296 298 904 | VOL | 024B | 9    | 198.704  | 1297 298 912 | IVE | 010B | 9    |
| 198.427  | 1295 298 915 | VOL | 024B | 51   | 198.564  | CEI 198564   | MB  | 001A | 61   | 198.704  | 1297 298 912 | DAF | 018B | 9    |
| 198.427  | 1295 298 915 | VOL | 025A | 75   | 198.564  | CEI 198564   | MB  | 001B | 47   | 198.704  | 1297 298 912 | DAF | 019B | 9    |
| 198.427  | 1295 298 915 | VOL | 025B | 51   | 198.564  | CEI 198564   | MB  | 002A | 69   | 198.704  | 1297 298 912 | DAF | 020B | 9    |
| 198.428  | 1295 298 960 | MB  | 002A | 71   | 198.564  | CEI 198564   | MB  | 002B | 47   | 198.704  | 1297 298 912 | VOL | 024B | 9    |
| 198.428  | 1295 298 960 | MB  | 002B | 50   | 198.564  | CEI 198564   | MB  | 003B | 47   | 198.704  | 1297 298 912 | VOL | 025B | 9    |
| 198.428  | 1295 298 960 | MAN | 005A | 71   | 198.564  | CEI 198564   | MAN | 004A | 61   | 198.789  | CEI 198789   | MAN | 007B | 53   |
| 198.428  | 1295 298 960 | MAN | 005B | 50   | 198.564  | CEI 198564   | MAN | 004B | 47   | 198.789  | CEI 198789   | IVE | 012B | 53   |
| 198.428  | 1295 298 960 | IVE | 009A | 71   | 198.564  | CEI 198564   | MAN | 005A | 69   | 198.789  | CEI 198789   | RVI | 016B | 53   |
| 198.428  | 1295 298 960 | IVE | 009B | 50   | 198.564  | CEI 198564   | MAN | 005B | 47   | 198.789  | CEI 198789   | DAF | 022B | 53   |
| 198.428  | 1295 298 960 | IVE | 010A | 74   | 198.564  | CEI 198564   | MAN | 006B | 47   | 198.790  | 1297 233 056 | MB  | 002B | 22   |
| 198.428  | 1295 298 960 | IVE | 010B | 50   | 198.564  | CEI 198564   | MAN | 007B | 49   | 198.790  | 1297 233 056 | MB  | 003B | 21   |
| 198.428  | 1295 298 960 | RVI | 014A | 71   | 198.564  | CEI 198564   | MAN | 008B | 51   | 198.790  | 1297 233 056 | MAN | 005B | 22   |
| 198.428  | 1295 298 960 | RVI | 014B | 50   | 198.564  | CEI 198564   | IVE | 009A | 69   | 198.790  | 1297 233 056 | MAN | 006B | 21   |
| 198.428  | 1295 298 960 | DAF | 019A | 71   | 198.564  | CEI 198564   | IVE | 009B | 47   | 198.790  | 1297 233 056 | MAN | 007B | 21   |
| 198.428  | 1295 298 960 | DAF | 019B | 50   | 198.564  | CEI 198564   | IVE | 010A | 71   | 198.790  | 1297 233 056 | IVE | 009B | 22   |
| 198.428  | 1295 298 960 | DAF | 020A | 74   | 198.564  | CEI 198564   | IVE | 010B | 48   | 198.790  | 1297 233 056 | IVE | 010B | 22   |
| 198.428  | 1295 298 960 | DAF | 020B | 50   | 198.564  | CEI 198564   | IVE | 011B | 47   | 198.790  | 1297 233 056 | IVE | 011B | 21   |
| 198.428  | 1295 298 960 | VOL | 024A | 71   | 198.564  | CEI 198564   | IVE | 012B | 49   | 198.790  | 1297 233 056 | IVE | 012B | 21   |
| 198.428  | 1295 298 960 | VOL | 024B | 50   | 198.564  | CEI 198564   | IVE | 013B | 51   | 198.790  | 1297 233 056 | RVI | 016B | 21   |

Date

03 / 2006

Table

Index

| Ref. CEI | Ref. ZF      | OEM | Tav. | Fig. | Ref. CEI | Ref. ZF      | OEM | Tav. | Fig. | Ref. CEI | Ref. ZF      | OEM | Tav. | Fig. |
|----------|--------------|-----|------|------|----------|--------------|-----|------|------|----------|--------------|-----|------|------|
| 198.790  | 1297 233 056 | DAF | 019B | 22   | 198.801  | 1312 232 014 | IVE | 012B | 8    | 198.838  | 1315 298 002 | MAN | 007B | 51   |
| 198.790  | 1297 233 056 | DAF | 021B | 21   | 198.801  | 1312 232 014 | RVI | 016B | 8    | 198.838  | 1315 298 002 | MAN | 008A | 76   |
| 198.790  | 1297 233 056 | DAF | 022B | 21   | 198.801  | 1312 232 014 | DAF | 019B | 8    | 198.838  | 1315 298 002 | MAN | 008B | 53   |
| 198.797  | 1315 298 001 | MAN | 007A | 78   | 198.801  | 1312 232 014 | DAF | 021B | 8    | 198.838  | 1315 298 002 | IVE | 012A | 77   |
| 198.797  | 1315 298 001 | MAN | 007B | 52   | 198.801  | 1312 232 014 | DAF | 022B | 8    | 198.838  | 1315 298 002 | IVE | 012B | 51   |
| 198.797  | 1315 298 001 | MAN | 008A | 77   | 198.803  | 1297 232 023 | MB  | 001B | 8    | 198.838  | 1315 298 002 | IVE | 013A | 76   |
| 198.797  | 1315 298 001 | MAN | 008B | 54   | 198.803  | 1297 232 023 | MB  | 002B | 8    | 198.838  | 1315 298 002 | IVE | 013B | 53   |
| 198.797  | 1315 298 001 | IVE | 012A | 78   | 198.803  | 1297 232 023 | MB  | 003B | 8    | 198.838  | 1315 298 002 | RVI | 016A | 77   |
| 198.797  | 1315 298 001 | IVE | 012B | 52   | 198.803  | 1297 232 023 | MAN | 004B | 8    | 198.838  | 1315 298 002 | RVI | 016B | 51   |
| 198.797  | 1315 298 001 | IVE | 013A | 77   | 198.803  | 1297 232 023 | MAN | 005B | 8    | 198.838  | 1315 298 002 | RVI | 017A | 76   |
| 198.797  | 1315 298 001 | IVE | 013B | 54   | 198.803  | 1297 232 023 | MAN | 006B | 8    | 198.838  | 1315 298 002 | RVI | 017B | 53   |
| 198.797  | 1315 298 001 | RVI | 016A | 78   | 198.803  | 1297 232 023 | IVE | 009B | 8    | 198.838  | 1315 298 002 | DAF | 022A | 77   |
| 198.797  | 1315 298 001 | RVI | 016B | 52   | 198.803  | 1297 232 023 | IVE | 010B | 8    | 198.838  | 1315 298 002 | DAF | 022B | 51   |
| 198.797  | 1315 298 001 | RVI | 017A | 77   | 198.803  | 1297 232 023 | IVE | 011B | 8    | 198.838  | 1315 298 002 | DAF | 023A | 76   |
| 198.797  | 1315 298 001 | RVI | 017B | 54   | 198.803  | 1297 232 023 | DAF | 018B | 8    | 198.838  | 1315 298 002 | DAF | 023B | 53   |
| 198.797  | 1315 298 001 | DAF | 022A | 78   | 198.803  | 1297 232 023 | DAF | 019B | 8    | 198.842  | 1295 298 933 | MB  | 001A | 62   |
| 198.797  | 1315 298 001 | DAF | 022B | 52   | 198.803  | 1297 232 023 | DAF | 020B | 8    | 198.842  | 1295 298 933 | MB  | 001B | 48   |
| 198.797  | 1315 298 001 | DAF | 023A | 77   | 198.803  | 1297 232 023 | DAF | 021B | 8    | 198.842  | 1295 298 933 | MB  | 002A | 70   |
| 198.797  | 1315 298 001 | DAF | 023B | 54   | 198.803  | 1297 232 023 | VOL | 024B | 8    | 198.842  | 1295 298 933 | MB  | 002B | 48   |
| 198.798  | 1315 232 010 | MAN | 008B | 8    | 198.803  | 1297 232 023 | VOL | 025B | 8    | 198.842  | 1295 298 933 | MB  | 003B | 48   |
| 198.798  | 1315 232 010 | MAN | 008B | 8    | 198.810  | 1297 232 024 | MB  | 001B | 8    | 198.842  | 1295 298 933 | MAN | 004A | 62   |
| 198.798  | 1315 232 010 | IVE | 013B | 8    | 198.810  | 1297 232 024 | MB  | 002B | 8    | 198.842  | 1295 298 933 | MAN | 004B | 48   |
| 198.798  | 1315 232 010 | IVE | 013B | 8    | 198.810  | 1297 232 024 | MB  | 002B | 8    | 198.842  | 1295 298 933 | MAN | 005A | 70   |
| 198.798  | 1315 232 010 | RVI | 017B | 8    | 198.810  | 1297 232 024 | MAN | 004B | 8    | 198.842  | 1295 298 933 | MAN | 005B | 48   |
| 198.798  | 1315 232 010 | RVI | 017B | 8    | 198.810  | 1297 232 024 | MAN | 005B | 8    | 198.842  | 1295 298 933 | MAN | 006B | 48   |
| 198.798  | 1315 232 010 | DAF | 023B | 8    | 198.810  | 1297 232 024 | MAN | 005B | 8    | 198.842  | 1295 298 933 | MAN | 007B | 50   |
| 198.798  | 1315 232 010 | DAF | 023B | 8    | 198.810  | 1297 232 024 | IVE | 009B | 8    | 198.842  | 1295 298 933 | MAN | 008B | 52   |
| 198.800  | 1313 232 003 | MAN | 006B | 8    | 198.810  | 1297 232 024 | IVE | 009B | 8    | 198.842  | 1295 298 933 | IVE | 009A | 70   |
| 198.800  | 1313 232 003 | MAN | 007B | 8    | 198.810  | 1297 232 024 | IVE | 010B | 8    | 198.842  | 1295 298 933 | IVE | 009B | 48   |
| 198.800  | 1313 232 003 | IVE | 011B | 8    | 198.810  | 1297 232 024 | RVI | 014B | 8    | 198.842  | 1295 298 933 | IVE | 010A | 72   |
| 198.800  | 1313 232 003 | IVE | 012B | 8    | 198.810  | 1297 232 024 | DAF | 018B | 8    | 198.842  | 1295 298 933 | IVE | 010B | 49   |
| 198.800  | 1313 232 003 | RVI | 015B | 8    | 198.810  | 1297 232 024 | DAF | 019B | 8    | 198.842  | 1295 298 933 | IVE | 011B | 48   |
| 198.800  | 1313 232 003 | RVI | 016B | 8    | 198.810  | 1297 232 024 | DAF | 019B | 8    | 198.842  | 1295 298 933 | IVE | 012B | 50   |
| 198.800  | 1313 232 003 | DAF | 021B | 8    | 198.810  | 1297 232 024 | DAF | 020B | 8    | 198.842  | 1295 298 933 | IVE | 013B | 52   |
| 198.800  | 1313 232 003 | DAF | 022B | 8    | 198.810  | 1297 232 024 | DAF | 020B | 8    | 198.842  | 1295 298 933 | RVI | 014A | 70   |
| 198.801  | 1312 232 014 | MB  | 002B | 8    | 198.810  | 1297 232 024 | VOL | 024B | 8    | 198.842  | 1295 298 933 | RVI | 014B | 48   |
| 198.801  | 1312 232 014 | MB  | 003B | 8    | 198.810  | 1297 232 024 | VOL | 024B | 8    | 198.842  | 1295 298 933 | RVI | 015B | 48   |
| 198.801  | 1312 232 014 | MAN | 005B | 8    | 198.810  | 1297 232 024 | VOL | 025B | 8    | 198.842  | 1295 298 933 | RVI | 016B | 50   |
| 198.801  | 1312 232 014 | MAN | 006B | 8    | 198.816  | 1315 232 001 | MAN | 007B | 8    | 198.842  | 1295 298 933 | RVI | 017B | 52   |
| 198.801  | 1312 232 014 | MAN | 007B | 8    | 198.816  | 1315 232 001 | IVE | 012B | 8    | 198.842  | 1295 298 933 | DAF | 018A | 62   |
| 198.801  | 1312 232 014 | IVE | 009B | 8    | 198.816  | 1315 232 001 | RVI | 016B | 8    | 198.842  | 1295 298 933 | DAF | 018B | 48   |
| 198.801  | 1312 232 014 | IVE | 010B | 8    | 198.816  | 1315 232 001 | DAF | 022B | 8    | 198.842  | 1295 298 933 | DAF | 019A | 70   |
| 198.801  | 1312 232 014 | IVE | 011B | 8    | 198.838  | 1315 298 002 | MAN | 007A | 77   | 198.842  | 1295 298 933 | DAF | 019B | 48   |

All original equipment manufacturers numbers, symbols, pictures, models and description used in this catalogue are for reference only, and it is not implied that any part listed is the product of these manufactures.  
Tutti i nostri particolari non sono originali ma con essi intercambiabili. I riferimenti originali, le figure, i modelli sono esposti a semplice titolo indicativo. La nostra produzione riporta il nostro marchio.

# CEI Index

| Ref. CEI | Ref. ZF      | OEM | Tav. | Fig. | Ref. CEI | Ref. ZF      | OEM | Tav. | Fig. | Ref. CEI | Ref. ZF      | OEM | Tav. | Fig. |
|----------|--------------|-----|------|------|----------|--------------|-----|------|------|----------|--------------|-----|------|------|
| 198.842  | 1295 298 933 | DAF | 020A | 72   | 269.009  | 0730 109 323 | MAN | 008B | 5    | 298.017  | 1315 233 006 | RVI | 016B | 14   |
| 198.842  | 1295 298 933 | DAF | 020B | 49   | 269.009  | 0730 109 323 | IVE | 013B | 5    | 298.017  | 1315 233 006 | DAF | 022B | 14   |
| 198.842  | 1295 298 933 | DAF | 021B | 48   | 269.009  | 0730 109 323 | IVE | 013B | 5    | 298.020  | 1315 298 060 | MAN | 006A | 71   |
| 198.842  | 1295 298 933 | DAF | 022B | 50   | 269.009  | 0730 109 323 | RVI | 017B | 5    | 298.020  | 1315 298 060 | MAN | 007A | 80   |
| 198.842  | 1295 298 933 | DAF | 023B | 52   | 269.009  | 0730 109 323 | RVI | 017B | 5    | 298.020  | 1315 298 060 | MAN | 008A | 79   |
| 198.842  | 1295 298 933 | VOL | 024A | 70   | 269.009  | 0730 109 323 | DAF | 023B | 5    | 298.020  | 1315 298 060 | IVE | 011A | 71   |
| 198.842  | 1295 298 933 | VOL | 024B | 48   | 269.009  | 0730 109 323 | DAF | 023B | 5    | 298.020  | 1315 298 060 | IVE | 012A | 80   |
| 198.842  | 1295 298 933 | VOL | 025A | 72   | 269.010  | 0730 109 309 | MAN | 008B | 6    | 298.020  | 1315 298 060 | IVE | 013A | 79   |
| 198.842  | 1295 298 933 | VOL | 025B | 49   | 269.010  | 0730 109 309 | MAN | 008B | 6    | 298.020  | 1315 298 060 | RVI | 015A | 71   |
| 198.843  | CEI 198843   | MB  | 003A | 67   | 269.010  | 0730 109 309 | IVE | 013B | 6    | 298.020  | 1315 298 060 | RVI | 016A | 80   |
| 198.843  | CEI 198843   | MAN | 006A | 67   | 269.010  | 0730 109 309 | IVE | 013B | 6    | 298.020  | 1315 298 060 | RVI | 017A | 79   |
| 198.843  | CEI 198843   | MAN | 007A | 76   | 269.010  | 0730 109 309 | RVI | 017B | 6    | 298.020  | 1315 298 060 | DAF | 021A | 71   |
| 198.843  | CEI 198843   | MAN | 008A | 75   | 269.010  | 0730 109 309 | RVI | 017B | 6    | 298.020  | 1315 298 060 | DAF | 022A | 80   |
| 198.843  | CEI 198843   | IVE | 010A | 73   | 269.010  | 0730 109 309 | DAF | 023B | 6    | 298.020  | 1315 298 060 | DAF | 023A | 79   |
| 198.843  | CEI 198843   | IVE | 011A | 67   | 269.010  | 0730 109 309 | DAF | 023B | 6    | 298.021  | 1315 298 061 | MB  | 003A | 70   |
| 198.843  | CEI 198843   | IVE | 012A | 76   | 280.348  | 1295 202 041 | MB  | 001A | 8    | 298.021  | 1315 298 061 | MAN | 006A | 70   |
| 198.843  | CEI 198843   | IVE | 013A | 75   | 280.348  | 1295 202 041 | MB  | 002A | 3    | 298.021  | 1315 298 061 | MAN | 007A | 79   |
| 198.843  | CEI 198843   | RVI | 015A | 67   | 280.348  | 1295 202 041 | MB  | 003A | 3    | 298.021  | 1315 298 061 | MAN | 008A | 78   |
| 198.843  | CEI 198843   | RVI | 016A | 76   | 280.348  | 1295 202 041 | MAN | 004A | 8    | 298.021  | 1315 298 061 | IVE | 011A | 70   |
| 198.843  | CEI 198843   | RVI | 017A | 75   | 280.348  | 1295 202 041 | MAN | 005A | 3    | 298.021  | 1315 298 061 | IVE | 012A | 79   |
| 198.843  | CEI 198843   | DAF | 020A | 73   | 280.348  | 1295 202 041 | MAN | 006A | 3    | 298.021  | 1315 298 061 | IVE | 013A | 78   |
| 198.843  | CEI 198843   | DAF | 021A | 67   | 280.348  | 1295 202 041 | IVE | 009A | 3    | 298.021  | 1315 298 061 | RVI | 015A | 70   |
| 198.843  | CEI 198843   | DAF | 022A | 76   | 280.348  | 1295 202 041 | IVE | 010A | 3    | 298.021  | 1315 298 061 | RVI | 016A | 79   |
| 198.843  | CEI 198843   | DAF | 023A | 75   | 280.348  | 1295 202 041 | IVE | 011A | 3    | 298.021  | 1315 298 061 | RVI | 017A | 78   |
| 198.843  | CEI 198843   | VOL | 025A | 73   | 280.348  | 1295 202 041 | RVI | 014A | 3    | 298.021  | 1315 298 061 | DAF | 021A | 70   |
| 198.856  | CEI 198856   | MB  | 001B | 50   | 280.348  | 1295 202 041 | RVI | 015A | 3    | 298.021  | 1315 298 061 | DAF | 022A | 79   |
| 198.856  | CEI 198856   | MB  | 002B | 52   | 280.348  | 1295 202 041 | DAF | 018A | 8    | 298.021  | 1315 298 061 | DAF | 023A | 78   |
| 198.856  | CEI 198856   | MB  | 003B | 51   | 280.348  | 1295 202 041 | DAF | 019A | 3    | 298.024  | 1316 232 011 | MAN | 008B | 8    |
| 198.856  | CEI 198856   | MAN | 004B | 50   | 280.348  | 1295 202 041 | DAF | 020A | 3    | 298.024  | 1316 232 011 | MAN | 008B | 8    |
| 198.856  | CEI 198856   | MAN | 005B | 52   | 280.348  | 1295 202 041 | DAF | 021A | 3    | 298.024  | 1316 232 011 | IVE | 013B | 8    |
| 198.856  | CEI 198856   | MAN | 006B | 51   | 280.348  | 1295 202 041 | VOL | 024A | 3    | 298.024  | 1316 232 011 | IVE | 013B | 8    |
| 198.856  | CEI 198856   | IVE | 009B | 52   | 280.348  | 1295 202 041 | VOL | 025A | 3    | 298.024  | 1316 232 011 | RVI | 017B | 8    |
| 198.856  | CEI 198856   | IVE | 010B | 52   | 280.350  | 1295 212 008 | MB  | 001B | 40   | 298.024  | 1316 232 011 | RVI | 017B | 8    |
| 198.856  | CEI 198856   | IVE | 011B | 51   | 280.350  | 1295 212 008 | MB  | 002B | 40   | 298.024  | 1316 232 011 | DAF | 023B | 8    |
| 198.856  | CEI 198856   | RVI | 014B | 52   | 280.350  | 1295 212 008 | MAN | 004B | 40   | 298.024  | 1316 232 011 | DAF | 023B | 8    |
| 198.856  | CEI 198856   | RVI | 015B | 51   | 280.350  | 1295 212 008 | MAN | 005B | 40   |          |              |     |      |      |
| 198.856  | CEI 198856   | DAF | 018B | 50   | 280.350  | 1295 212 008 | IVE | 009B | 40   |          |              |     |      |      |
| 198.856  | CEI 198856   | DAF | 019B | 52   | 280.350  | 1295 212 008 | RVI | 014B | 40   |          |              |     |      |      |
| 198.856  | CEI 198856   | DAF | 020B | 52   | 280.350  | 1295 212 008 | DAF | 018B | 40   |          |              |     |      |      |
| 198.856  | CEI 198856   | DAF | 021B | 51   | 280.350  | 1295 212 008 | DAF | 019B | 40   |          |              |     |      |      |
| 198.856  | CEI 198856   | VOL | 024B | 52   | 280.350  | 1295 212 008 | VOL | 024B | 40   |          |              |     |      |      |
| 198.856  | CEI 198856   | VOL | 025B | 52   | 298.017  | 1315 233 006 | MAN | 007B | 14   |          |              |     |      |      |
| 269.009  | 0730 109 323 | MAN | 008B | 5    | 298.017  | 1315 233 006 | IVE | 012B | 14   |          |              |     |      |      |

Date

03 / 2006

Table

Index

**Ai Clienti / Importatori / Distributori prodotti C.E.I. S.p.A.:**

**“CONFORMITA’ A LEGGI E/O REGOLAMENTI SPECIFICI DELLA NAZIONE IMPORTATRICE”**

*C.E.I. S.p.A. assicura che i propri prodotti sono conformi alle Leggi e Regolamenti del Mercato Europeo e declina ogni responsabilità per applicazioni soggette a Leggi e Regolamenti specifici del Paese importatore, lasciando allo stesso la responsabilità di verificare la conformità del prodotto C.E.I. S.p.A. ai vincoli cogenti di Leggi e/o Regolamenti locali.*

*C.E.I. S.p.A. si dichiara disponibile, su richiesta del cliente, a valutare la possibilità di adeguare i propri prodotti ad eventuali specifiche esigenze che ci venissero sottoposte.*

**To Customer / Importers / Distributors of CEI Spa products :**

**“COMPLIANCE WITH LAWS AND/OR SPECIFIC REGULATIONS OF THE IMPORT COUNTRY”**

*C.E.I. S.p.A. ensures that its products conform to the laws and regulations of the European Community and declines any responsibility for applications subject to specific laws and regulations of the import country which is responsible to ascertain the conformity of CEI S.p.A. products to the local laws and/or regulations in force.*

*C.E.I. S.p.A. is available to evaluate the possibility of adapting its products for specific applications on request, should the need arise from any customer.*

**Aux clients / importateurs / distributeurs produits C.E.I. S.p.A.**

**“CONFORMITE AUX LOIS ET/OU REGLEMENTS SPECIFIQUES DU PAYS IMPORTATEUR “**

*La maison C.E.I. S.p.A. assure que ses produits sont conformes aux lois et règlements de la Communauté Européenne et décline toute responsabilité pour d'applications assujetties aux lois et règlements spécifiques du pays importateur , en laissant aux mêmes la responsabilité de vérifier la conformité du produit CEI aux obligations de lois et/ou règlements en vigueur propres du pays .*

*La maison C.E.I. S.p.A. se déclare disposée, sur requête du client, à évaluer la possibilité de conformer ses produits à d'éventuelles exigences spécifiques qui soient demandées.*

**A los clientes/importadores/distribuidores del los productos CEI S.p.A.**

**“CONFORMIDAD A LAS LEYES Y/O LAS REGLAMENTACIONES ESPECIFICAS DE LA NACION IMPORTADORA “**

*CEI S.p.A certifica que sus productos están conformes con la leyes y las reglamentaciones del Mercado Europeo y declina cada responsabilidad por aplicaciones sujetas a leyes y reglamentaciones específicos del país importador, dejando al mismo la responsabilidad de averiguar la conformidad del producto CEI con los vinculos en vigencia de leyes y/o reglamentaciones locales.*

*CEI está disponible, bajo petición del cliente a evaluar la posibilidad de conformar sus productos con eventuales exigencias específicas.*



E' vietato a chiunque utilizzare le immagini ed i dati di questo catalogo per fini diversi dalla semplice consultazione. CEI perseguirà penalmente, nelle opportuni sedi giudiziarie, chi dovesse utilizzare servilmente, anche tramite semplice fotocopiatura, scanner ecc., le immagini di questo catalogo per propri fini.

It is forbidden to use pictures and data contained in this catalogue for aims other than reference purpose. CEI will prosecute those using the imaging contained here in for one's own purpose, even by means of photocopier or scanner, in the appropriate forum.

Il est interdit à quiconque d'utiliser les images et les informations de ce catalogue dans un but autre qu'une simple consultation. CEI poursuivra civilement et pénalement, dans les sièges juridiques opportuns, tous ceux qui utiliseront servilement, y compris par simple photocopie, scannage, etc. (même à simple titre d'exemple), les images de ce catalogue pour des objectifs autres que ceux prévus par Cei spa.

Queda prohibido a toda persona utilizar las imágenes y los datos de este catálogo con otra finalidad que no sea la de consulta. CEI perseguirá civil y penalmente, ante la jurisdicción que corresponda, a toda persona que incurra en imitación servil, incluso mediante el simple fotocopiado, escaneado, etc. (la indicación vale sólo a título de ejemplo), de las imágenes de este catálogo, con finalidades ajenas a las de CEI S.p.a.

Die Anwendung der Bilder und Daten dieses Katalogs für andere Zwecke als die des Nachschlagens ist verboten. CEI behält sich vor, gegen diejenigen bei den entsprechend zuständigen Gerichtsstellen zivil- und strafrechtlich vorzugehen, die die Bilder dieses Katalogs auch nur durch einfaches Kopieren, Einscannen, usw. für andere Zwecke als die der Firma Cei spa verwenden sollten.

---

**Edizione Aprile 2008**

**Pagine nr. 496**

Stampa

Grafiche CAMPASS - BOLOGNA

**C.E.I.  
COSTRUZIONE  
EMILIANA  
INGRANAGGI S.P.A.**



REPRINT  
2008



VIA EMILIA 239  
P.O. BOX 180  
40011 ANZOLA EMILIA  
BOLOGNA  
ITALY

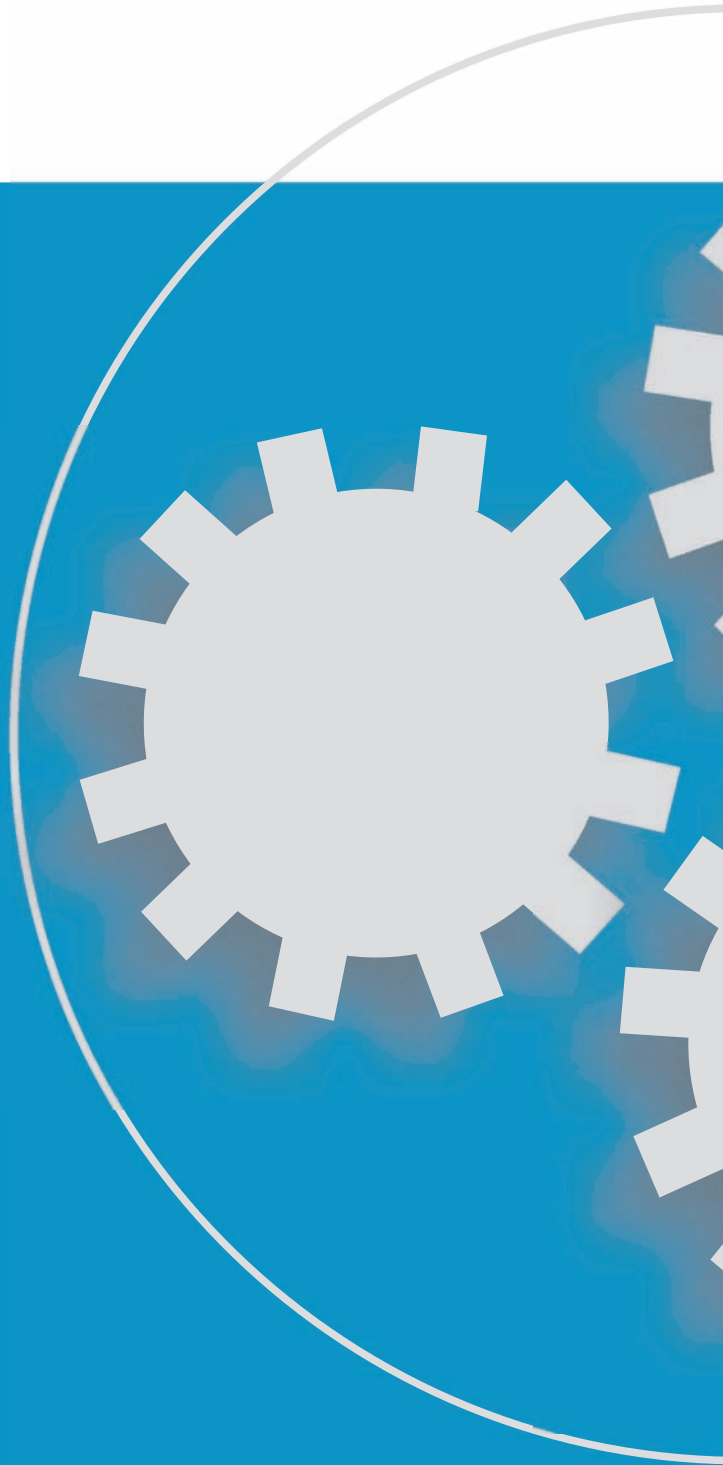
TEL. +39 051 6506200 (r.a.)  
FAX +39 051 733832  
EXPORT FAX +39 051 734128

**INTERNET**

<http://www.cei.it>

**E-MAIL**

Informazioni: [cei@cei.it](mailto:cei@cei.it)  
Commerciale Italia: [italia@cei.it](mailto:italia@cei.it)  
Export: [export@cei.it](mailto:export@cei.it)  
Acquisti: [purchasingdept@cei.it](mailto:purchasingdept@cei.it)  
Amministrazione: [accountdept@cei.it](mailto:accountdept@cei.it)



H I G H F I D E L I T Y