



MIRACLES OF HIGH FIDELITY



400.055

M.A.N. Differentials



HIGH FIDELITY SPARE PARTS

CERTIFICATE



Certificato Nr 50 100 3413

Si attesta che / *This is to certify that*

IL SISTEMA QUALITÀ DI
THE QUALITY SYSTEM OF

C.E.I.

COSTRUZIONE EMILIANA INGRANAGGI SPA

VIA EMILIA 239

I-40011 ANZOLA EMILIA (BO)

È CONFORME AI REQUISITI DELLA NORMA
HAS BEEN FOUND TO CONFORM TO THE REQUIREMENTS OF

UNI EN ISO 9001:2000

Questo certificato è valido per il seguente campo di applicazione
This certificate is valid for the following product or service range

**Progettazione, produzione e assemblaggi di parti ed
accessori di ricambio per veicoli industriali (EA 22a)**

***Design, manufacture, and assembling of spare parts
and accessories for industrial vehicles (EA 22a)***

Data/date
2003-10-21

Lead Auditor: Roberto Cioni

Data di scadenza/Expiry date
2006-10-10

SINCERT
ACCREDITAMENTO ORGANISMI DI CERTIFICAZIONE E ISPEZIONE

SGO N° 049A
SGA N° 018D

Membro di MLA EA per gli schemi di accreditamento SGO, SGA, PRD e PRS
e di MLA IAF per gli schemi di accreditamento SGO, SGA e PRD
Signatory of EA MLA for the accreditation schemes QMS, EMS, Product and Personnel
and of IAF MLA for the accreditation schemes QMS, EMS and Product

Per l'Organismo di Certificazione
For the Certification Body
TÜV Italia S.r.l.
Cinisello Balsamo (MI)

Nico Mastrorillo
Management Representative



ELENCO CATALOGHI DISPONIBILI PER LE SEGUENTI GAMME DI NOSTRA PRODUZIONE

LIST OF THE AVAILABLE CATALOGUES FOR THE FOLLOWING PRODUCTION LINES
LISTE DES CATALOGUES DISPONIBLES POUR LES GAMMES DE PRODUCTION SUIVANTES
KATALOGE FÜR DIE FOLGENDEN PRODUKTION LINIEN
LISTADO DE LOS CATALOGOS PARA LAS LINEAS SIGUIENTES



400.001
IVECO



400.055
M.A.N. Differentials



400.080
SCANIA



400.090
VOLVO



400.901
RICAMBI



E' vietato a chiunque utilizzare le immagini ed i dati di questo catalogo per fini diversi dalla semplice consultazione. CEI perseguirà penalmente, nelle opportuni sedi giudiziarie, chi dovesse utilizzare servilmente, anche tramite semplice fotocopiatura, scanner ecc., le immagini di questo catalogo per propri fini.

It is forbidden to use pictures and data contained in this catalogue for aims other than reference purpose. CEI will prosecute those using the imaging contained here in for one's own purpose, even by means of photocopier or scanner, in the appropriate forum.

Il est interdit à quiconque d'utiliser les images et les informations de ce catalogue dans un but autre qu'une simple consultation.

CEI poursuivra civilement et pénalement, dans les sièges juridiques opportuns, tous ceux qui utiliseront servilement, y compris par simple photocopie, scannage, etc. (même à simple titre d'exemple), les images de ce catalogue pour des objectifs autres que ceux prévus par Cei spa.

Queda prohibido a toda persona utilizar las imágenes y los datos de este catálogo con otra finalidad que no sea la de consulta.

CEI perseguirá civil y penalmente, ante la jurisdicción que corresponda, a toda persona que incurra en imitación servil, incluso mediante el simple fotocopiado, escaneado, etc. (la indicación vale sólo a título de ejemplo), de las imágenes de este catálogo, con finalidades ajenas a las de CEI S.p.a.

Die Anwendung der Bilder und Daten dieses Katalogs für andere Zwecke als die des Nachschlagens ist verboten.

CEI behält sich vor, gegen diejenigen bei den entsprechend zuständigen Gerichtsstellen zivil- und strafrechtlich vorzugehen, die die Bilder dieses Katalogs auch nur durch einfaches Kopieren, Einscannen, usw. für andere Zwecke als die der Firma Cei spa verwenden sollten.

EDIZIONI SPECIALI PER LE SEGUENTI GAMME DI NOSTRA PRODUZIONE

SPECIAL EDITION FOR THE FOLLOWING PRODUCTION LINES
EDITION SPECIALE POUR LES GAMMES DE PRODUCTION SUIVANTES
SONDERAUSGABE FUER FOLGENDE PRODUKT SERIEN
EDICION ESPECIAL PARA LAS LINEAS SIGUIENTES



400.101
IVECO
EuroCargo - Tector



400.201
IVECO
U180 & EuroTrakker Axles



400.150
MERCEDES
Aluminum Gearboxes



400.175
RENAULT V.I.
B9/B18 Gearboxes



400.195
Z.F.
Ecosplit Gearboxes



400.904
AUTOBUS



Figures part denominations references and data contained in this catalogue are not binding.
CEI reserves the right to introduce any changes at any time without prior notice.

Le figure, le denominazioni, i riferimenti ed i dati contenuti nel presente catalogo non sono impegnativi.
La CEI si riserva di apportare in ogni momento e senza preavviso tutte le variazioni che riterrà opportune.

Les figures, les dénominations, les références et les spécifications contenues dans ce catalogue ne sont pas engageantes.
La CEI se réserve le droit d'apporter à tout moment et sans préavis les variantes éventuelles qu'elle croit utiles.

Die in diesem Katalog enthalten Abbildungen, Benennungen Zeichen und Angaben sind unverbindlich.
Die Firma CEI behält sich das Recht vor, jederzeit und ohne Viranzeige Änderungen vorzunehmen.

Las figuras, las denominaciones, las referencias y los datos contenidos en el presente catálogo no son empeñativos.
CEI puede hacer en cada momento y sin preaviso todas las variaciones que sean oportunas.

INTERCHANGEABILITY GUARANTY

Our spare parts are interchangeable with the originals ones; our products bear our trade-mark.
The original part numbers listed in this catalogue are for reference only.

GARANZIA DI INTERCAMBIABILITÀ

I nostri ricambi sono intercambiabili con gli originali; la nostra produzione riporta il nostro marchio.
I riferimenti originali sono esposti a semplice titolo indicativo.

GARANTIE D'INTERCHANGEABILITE

Nos pieces detachees sont interchangeables avec les originaux.
Nôtre production porte nôtre marque.
Les numeros originaux mentionné dans ce catalogue sont seulement à titre indicatif.

AUSTAUSCHBARKEITS-GARANTIE

Unsere ersatzteile sind austauschbar mit den Originalzahnradern.
Auf unseren Erzeugnissen ist unsere Schutzmarke aufgetragen.
Die im gegenwärtigen Kalatolg genannten Originalnummern nur zum Hinweis dienen.

GARANTIA DE INTERCAMBIABILIDAD

Nuestros recambios son intercambiables con los originales.
Todos nuestros productos, llevan grabada nuestra marca.
Las referencias originales impresas en nuestro catalogo figuran exclusivamente a titulo indicativo.

Suitable To : **M.A.N.**

MAN ÷ MB
Axles with CWP Ø 233

MAN Models

Intermediate HD7/HD9 1080 - 1180-1380

Rear H7/H9 1080 - 1180-1380

MB Models

Intermediate HD7/2 - HD7/5 - HD7/11 - HD7/19

Rear HL7/1 - HL7/3 - HL7/4 - HL7/10 - HL7/18

MAN ÷ MB
Axles with CWP Ø 300

MAN Models

Intermediate HD7/HD9 13120-16120

Rear H7/H9 13120-16120

MB Models

Intermediate HD7/09 - HD7/014 - HD7/016

Rear HL7/07 - HL7/010 - HL7/013 - HL7/015 - HL7/021

MAN
HDY/HY 1175 TANDEM Axles

Intermediate HDY1175

Rear HY1175

MAN
HY 13110 SINGLE Axles

Rear HY13110

All original equipment manufacturers numbers, symbols, pictures, models and description used in this catalogue are for reference only, and it is not implied that any part listed is the product of these manufactures.
Tutti i nostri particolari non sono originali ma con essi intercambiabili. I riferimenti originali, le figure, i modelli sono esposti a semplice titolo indicativo. La nostra produzione riporta il nostro marchio.

CEI Catalogue Key

CEI numbers KEY
187.250 BOLD Type
CURRENT PRODUCTION
 135.149 Italic and NOT BOLD Type
FUTURE PRODUCTION
 Blank For reference purpose only.

Original Part No.
 Only current no. is listed
 in this table.
 For superseded nos. please
 check original no. index at the
 end of the catalogue.

Cross Ref. No.
 Only current no. is listed
 in this table.
 For superseded nos. please
 check original no. index at the
 end of the catalogue.

Technical Note
 Attention to the matching letters

Page no.
 3

Descrizioni
 Descriptions

Picture No.

All original equipment manufacturers numbers, symbols, pictures, models and description used in this catalogue are for reference only, and it is not implied that any part listed is the product of these manufacturers.
 Tutti i nostri particolari non sono originali ma con essi intercambiabili. I riferimenti originali, le figure, i modelli sono esposti a semplice titolo indicativo. La nostra produzione riporta il nostro marchio.

Fig.	CEI no.	MB no.	M.A.N. no.	Description	Q.ty	Note
1	187.250	385 351 0672	81 90685 0311	Nut M 45x1,5	1	
2		385 350 0145		Output flange D.150 mm	1	
2		355 350 0645		Output flange D.165 mm	1	
2	135.149	355 350 0745	81 39115 5026	Output flange D.180 mm	1	
2		355 350 1245		Output flange D.180 mm - 9 T	1	
2	155.196	355 353 2345		Output Flange D.180 mm - 9 T	1	
3		355 353 0391		Oil deflector	1	
4	139.563	017 997 7947	06 56289 0353	Oil seal 80x100x12	1	
5	139.564	017 997 2547	06 56289 0349	Oil seal 80x100x10	1	
6	187.615	355 353 0325	81 35125 0005	Grooved nut	1	
7	130.595	000625 920067	06 31420 4502	Bearing 60x130x31	1	
8	105.086	355 353 0235	81 35611 0007	Layshaft	1	
9	154.160	355 353 0736	81 35612 0012	Sliding clutch	1	
10	169.668	355 353 2062	81 35204 0020	Thrust washer Sp.3,65 mm (Bronze)	1	
10	169.669	355 353 1962	81 35204 0019	Thrust washer Sp.3,85 mm (Bronze)	1	
10	169.670	355 353 1862	81 35204 0018	Thrust washer Sp.4,00 mm (Bronze)	1	
10	169.821	355 353 2562	81 35204 0029	Thrust washer Sp.4,20 mm (Bronze)	1	
11	145.379	355 350 0124	81 35610 0017	Gear 28 T	1	With 355 353 0085 (28x28 Teeth)
11	145.699	355 350 0324		Gear 30 T	1	With 355 353 0285 (30x28 Teeth)
12	117.277	355 353 0950	81 93020 0678	Bush 60x64x50 mm	1	
13	199.062	355 350 1827	81 35100 6592	Diff. housing empty w/screw	1	
14	133.061	355 350 0128	81 35608 6001	Spider	1	
15	182.047	355 353 0214	81 35108 0048	Side pinion 10 T	4	
16	169.582	355 353 0176	81 90701 0722	Thrust washer	4	
17	117.278	355 353 1050	81 93020 0679	Bush 44x49x35	1	
18	187.534	355 353 0026	81 90620 0049	Grooved nut M 48x1,5	1	
19	122.072	355 353 0215	81 35618 0003	Side gear 16 T-22 Spl.	1	
20	105.160	355 353 0935	81 35611 0017	Layshaft	1	
21	154.319	355 353 1236	81 35612 0014	Sliding clutch	1	
22	145.711	355 350 1415	81 35610 0030	Gear 28 T	1	With 355 353 0085 (28x28 Teeth)
22	145.712	355 350 0624		Gear 30 T	1	With 355 353 0285 (30x28 Teeth)
23	133.128	653 353 0020	81 35608 0024	Spider	1	
24	169.822	653 353 0051	81 91710 0442	Spacer	4	
25	117.352	653 353 0050	81 93021 0218	Bush	4	
26	182.075	653 353 0014	81 35609 0008	Side pinion 10 T	4	
27	169.582	355 353 0176	81 90701 0722	Thrust washer	4	
28	187.616	355 353 0126	81 90620 0088	Grooved nut M 48x1,5	1	
29	122.105	355 353 1115		Side gear 16 T-22 Spl.	1	
30	169.671	355 353 2262	81 35204 0034	Thrust washer 102x2,35 (Bronze)	1	
30	169.823	355 353 2462		Thrust washer 102x2,45 (Bronze)	1	
30	169.672	355 353 2362	81 35204 0036	Thrust washer 102x2,60 (Bronze)	1	
30	169.824	355 353 2662		Thrust washer 102x2,80 (Bronze)	1	
31	130.596	003 981 4925	06 31420 0602	Bearing 70x125x24	1	
32	187.617	070852 055000	06 12114 0121	Grooved nut M 55x1,5	1	
33	169.825	070952 055102	06 16130 0121	Thrust washer	1	

M.A.N. ÷ MB
Axle with CWP Ø 233

Table Range
 Models

Notes

Date



05 / 2004

Table Date

Table
 001 / A

Technical Note
 Attention to the matching letters

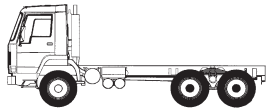
Quantity needed
 For each position

Progression Table no.

All original equipment manufacturers numbers, symbols, pictures, models and description used in this catalogue are for reference only, and it is not implied that any part listed is the product of these manufacturers.
 Tutti i nostri particolari non sono originali ma con essi intercambiabili. I riferimenti originali, le figure, i modelli sono esposti a semplice titolo indicativo. La nostra produzione riporta il nostro marchio.

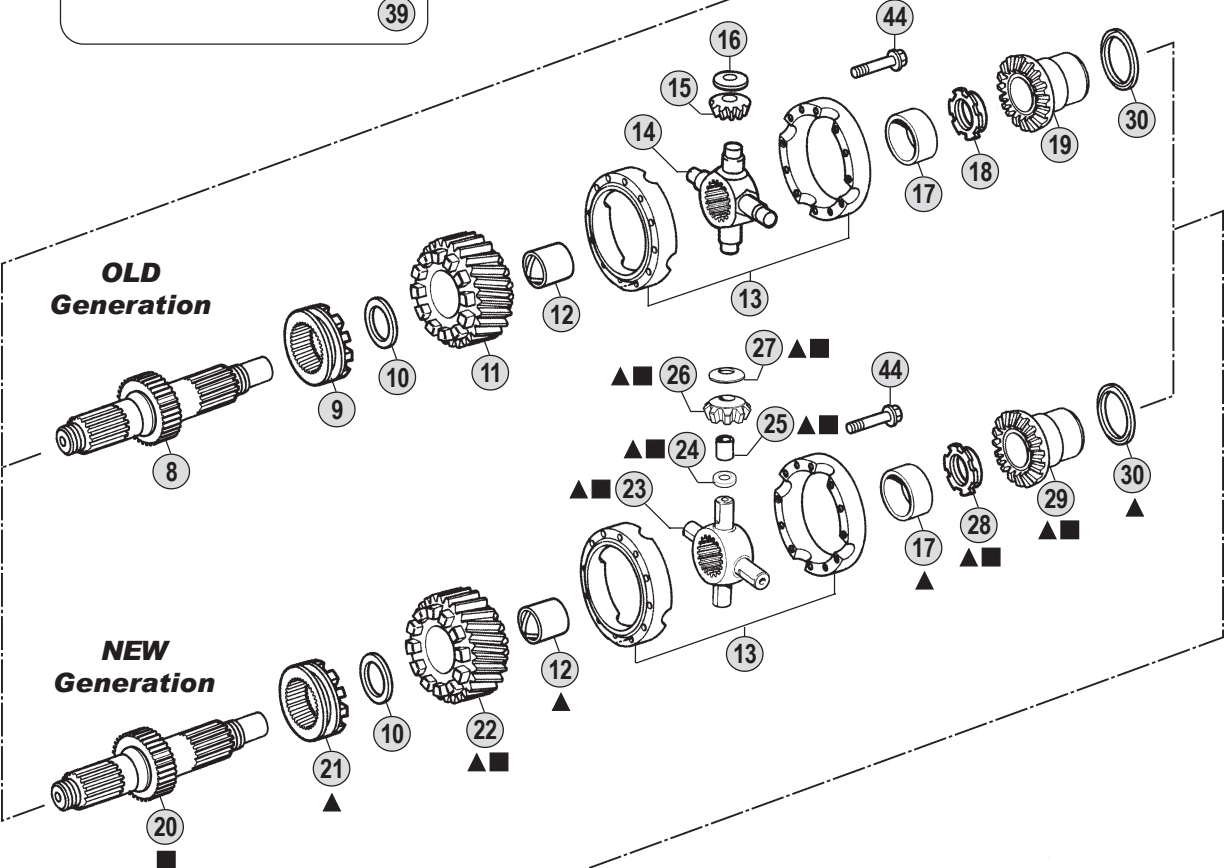
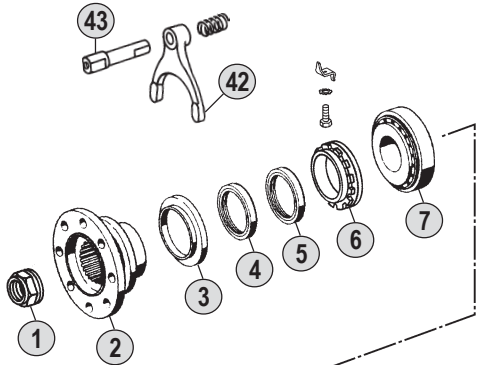
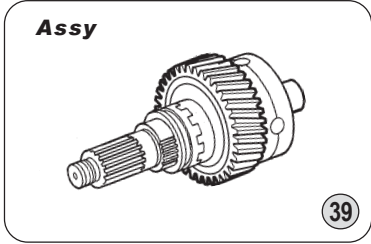
Adattabile a : **M.A.N.**
Suitable To :

HD7 1080 - 1380 / HD9 1180 - 1380



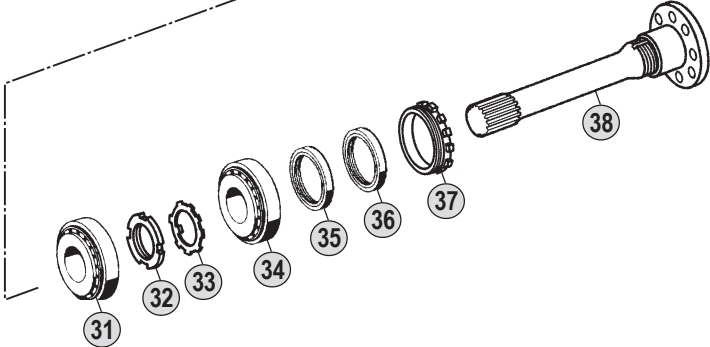
HD7 + HL7

Axles with
Ø 233 mm CWP



Kits

- MB 40
- ▲ MAN 41



All original equipment manufacturers' numbers, symbols, pictures, models and description used in this catalogue are for reference only, and it is not implied that any part listed is the product of these manufacturers. Tutti i nostri particolari non sono originali ma con essi intercambiabili. I riferimenti originali, le figure, i modelli sono esposti a semplice titolo indicativo. La nostra produzione riporta il nostro marchio.

Models

MB Axles Models HD7/2 - HD7/5 - HD7/11 - HD7/19

MB Axles Series From 740.000 To 740.079



Fig.	CEI no.	MB no.	M.A.N. no.	Description	Q.ty	Note
1	187.250	385 351 0672	81 90685 0311	Nut M 45x1,5	1	
2		385 350 0145		Output flange D.150 mm	1	
2		355 350 0645		Output flange D.165 mm	1	
2	135.149	355 350 0745	81 39115 5026	Output flange D.180 mm	1	
2		355 350 1245		Output flange D.180 mm - 9 T	1	
2	155.196	355 353 2345		Output Flange D.180 mm - 9 T	1	
3		355 353 0391		Oil deflector	1	
4	139.563	017 997 7947	06 56289 0353	Oil seal 80x100x12	1	
5	139.564	017 997 2547	06 56289 0349	Oil seal 80x100x10	1	
6	187.615	355 353 0325	81 35125 0005	Grooved nut	1	
7	130.595	000625 920067	06 31420 4502	Bearing 60x130x31	1	
8	105.086	355 353 0235	81 35611 0007	Layshaft	1	
9	154.160	355 353 0736	81 35612 0012	Sliding clutch	1	
10	169.668	355 353 2062	81 35204 0020	Thrust washer Sp.3,65 mm (Bronze)	1	
10	169.669	355 353 1962	81 35204 0019	Thrust washer Sp.3,85 mm (Bronze)	1	
10	169.670	355 353 1862	81 35204 0018	Thrust washer Sp.4,00 mm (Bronze)	1	
10	169.821	355 353 2562	81 35204 0029	Thrust washer Sp.4,20 mm (Bronze)	1	
11	145.379	355 350 0124	81 35610 0017	Gear 28 T	1	With 355 353 0085 (28x28 Teeth)
11	145.699	355 350 0324		Gear 30 T	1	With 355 353 0285 (30x28 Teeth)
12	117.277	355 353 0950	81 93020 0678	Bush 60x64x50 mm	1	
13	199.062	355 350 1827	81 35100 6592	Diff. housing empty w/screw	1	
14	133.061	355 350 0128	81 35608 6001	Spider	1	
15	182.047	355 353 0214	81 35108 0048	Side pinion 10 T	4	
16	169.582	355 353 0176	81 90701 0722	Thrust washer	4	
17	117.278	355 353 1050	81 93020 0679	Bush 44x49x35	1	
18	187.534	355 353 0026	81 90620 0049	Grooved nut M 48x1,5	1	
19	122.072	355 353 0215	81 35618 0003	Side gear 16 T-22 Spl.	1	
20	105.160	355 353 0935	81 35611 0017	Layshaft	1	
21	154.319	355 353 1236	81 35612 0014	Sliding clutch	1	
22	145.711	355 350 1415	81 35610 0030	Gear 28 T	1	With 355 353 0085 (28x28 Teeth)
22	145.712	355 350 0624		Gear 30 T	1	With 355 353 0285 (30x28 Teeth)
23	133.128	653 353 0020	81 35608 0024	Spider	1	
24	169.822	653 353 0051	81 91710 0442	Spacer	4	
25	117.352	653 353 0050	81 93021 0218	Bush	4	
26	182.075	653 353 0014	81 35609 0008	Side pinion 10 T	4	
27	169.582	355 353 0176	81 90701 0722	Thrust washer	4	
28	187.616	355 353 0126	81 90620 0088	Grooved nut M 48x1,5	1	
29	122.105	355 353 1115		Side gear 16 T-22 Spl.	1	
30	169.671	355 353 2262	81 35204 0034	Thrust washer 102x2,35 (Bronze)	1	
30	169.823	355 353 2462		Thrust washer 102x2,45 (Bronze)	1	
30	169.672	355 353 2362	81 35204 0036	Thrust washer 102x2,60 (Bronze)	1	
30	169.824	355 353 2662		Thrust washer 102x2,80 (Bronze)	1	
31	130.596	003 981 4925	06 31420 0602	Bearing 70x125x24	1	
32	187.617	070852 055000	06 12114 0121	Grooved nut M 55x1,5	1	
33	169.825	070952 055102	06 16130 0121	Thrust washer	1	

Notes

Date

05 / 2004

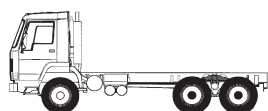
Table

001 / A

All original equipment manufacturers numbers, symbols, pictures, models and description used in this catalogue are for reference only, and it is not implied that any part listed is the product of these manufactures.
Tutti i nostri particolari non sono originali ma con essi intercambiabili. I riferimenti originali, le figure, i modelli sono esposti a semplice titolo indicativo. La nostra produzione riporta il nostro marchio.

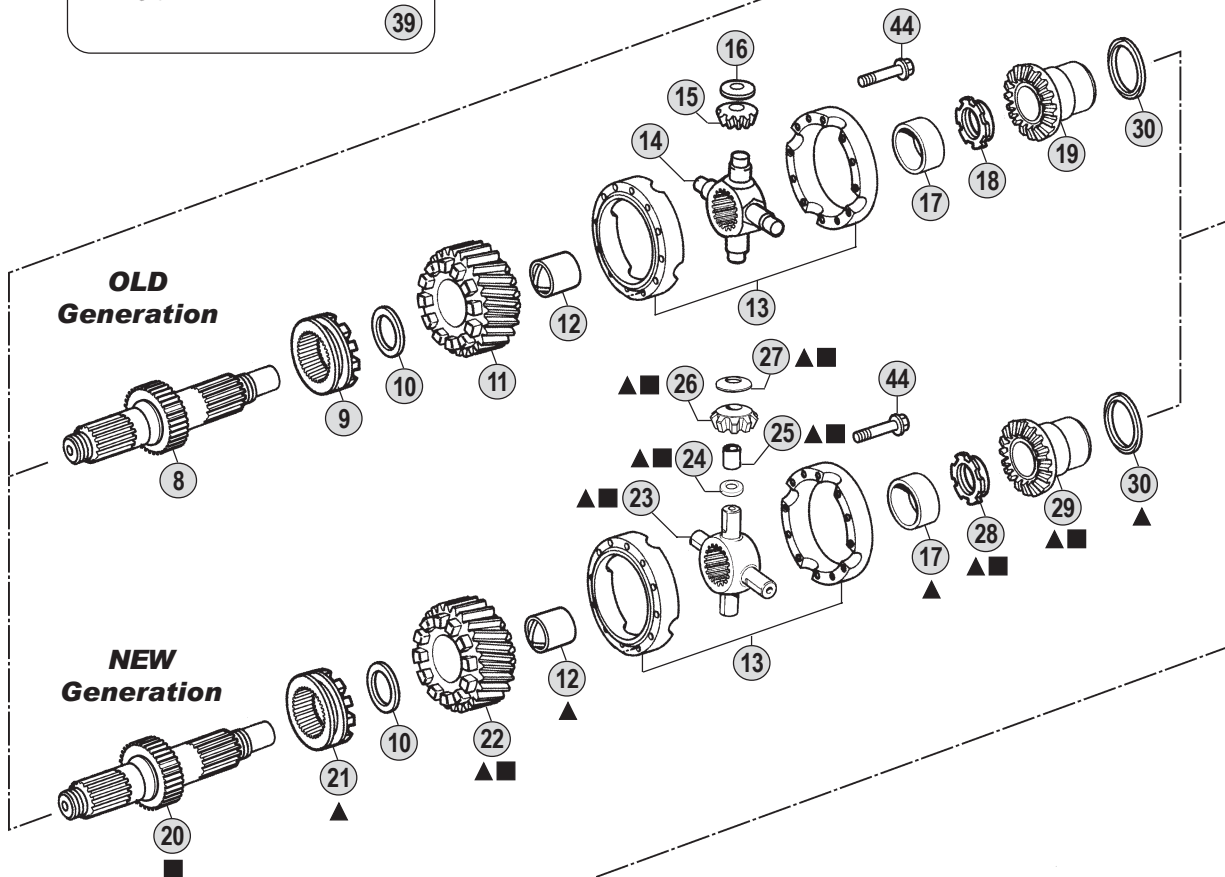
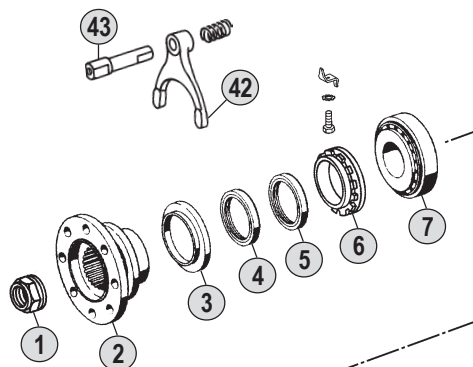
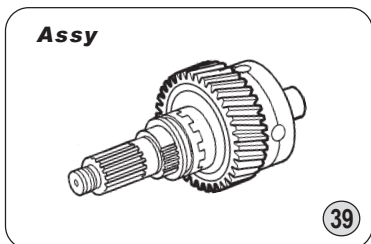
Adattabile a : **M.A.N.**
 Suitable To :

HD7 1080 - 1380 / HD9 1180 - 1380



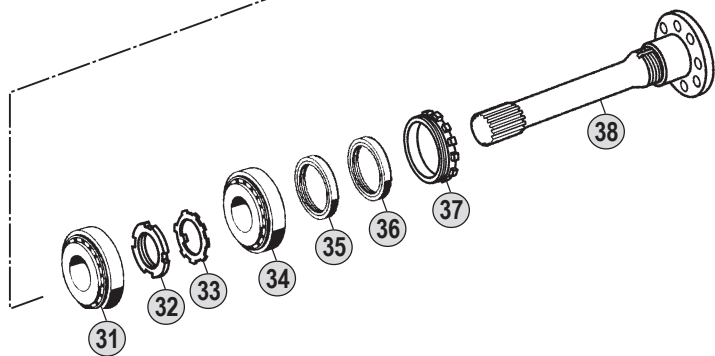
HD7 + HL7

Axles with
 Ø 233 mm CWP



Kits

- MB 40
- ▲ MAN 41



All original equipment manufacturers' numbers, symbols, pictures, models and description used in this catalogue are for reference only, and it is not implied that any part listed is the product of these manufactures. Tutti i nostri particolari non sono originali ma con essi intercambiabili. I riferimenti originali, le figure, i modelli sono esposti a semplice titolo indicativo. La nostra produzione riporta il nostro marchio.

Models

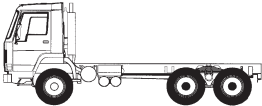
MB Axles Models HD7/2 - HD7/5 - HD7/11 - HD7/19

MB Axles Series From 740.000 To 740.079



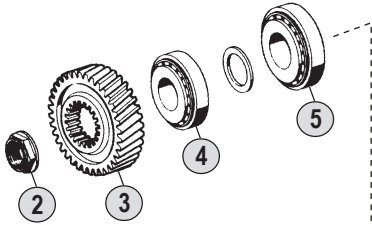
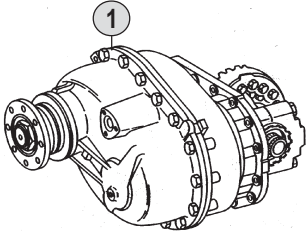
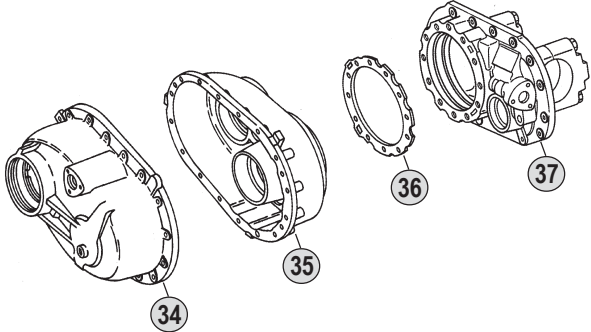
Adattabile a : **M.A.N.**
Suitable To :

HD7 1080 - 1380 / HD9 1180 - 1380



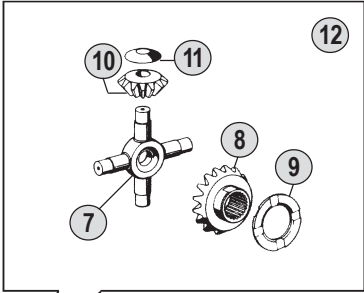
HD7 + HL7

**Axles with
Ø 233 mm CWP**

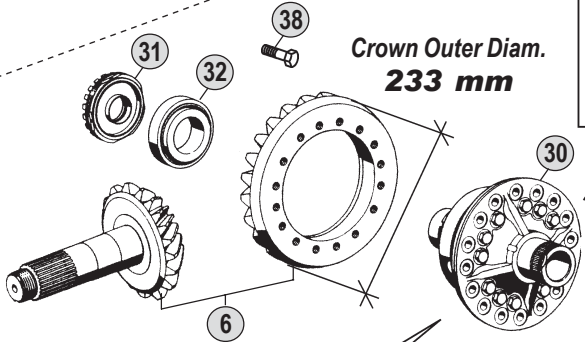


Old Type

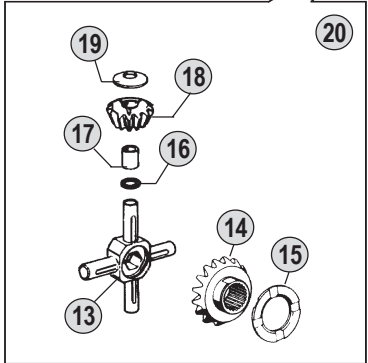
(MAN current production)



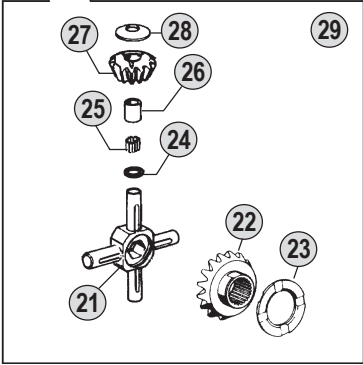
Crown Outer Diam.
233 mm



New Type



Latest Type



All original equipment manufacturers' numbers, symbols, pictures, models and description used in this catalogue are for reference only, and it is not implied that any part listed is the product of these manufacturers. Tutti i nostri particolari non sono originali ma con essi intercambiabili. I riferimenti originali, le figure, i modelli sono esposti a semplice titolo indicativo. La nostra produzione riporta il nostro marchio.

Models

MB Axles Models HD7/2 - HD7/5 - HD7/11 - HD7/19

MB Axles Series From 740.000 To 740.079



Fig.	CEI no.	MB no.	M.A.N. no.	Description	Q.ty	Note
1		387 350 7003	81 35600 6291	Inter.Axle 12x27 R.1:2,25	1	
1		387 350 7103	81 35600 6288	Inter.Axle 15x29 R.1:1,93	1	
1		387 350 3503	81 35600 6285	Inter.Axle 17x29 R.1:1,71	1	
1		387 350 6303	81 35600 6281	Inter.Axle 18x27 R.1:1,50	1	
1		387 350 2603	81 35600 6278	Inter.Axle 21x28 R.1:1,33	1	
1		387 350 5303	81 35600 6276	Inter.Axle 24x29 R.1:1,20	1	
1		387 350 8603	81 35600 6294	Inter.Axle 25x29 R.1:1,16	1	
2	187.250	385 351 0672	81 90685 0311	Nut M 45x1,5	1	
3	146.313	355 353 0085	81 35610 0013	Gear 28 T	1	With 355 350 0124/1415 (28x28)
3	146.530	355 353 0285		Gear 28 T	1	With 355 350 0324/0624 (30x28)
4	130.317	003 981 7805	06 32499 0093	Bearing 55x120x45,5	1	
5	130.318	003 981 7005	06 32499 0095	Bearing 65x140x51	1	
6	194.644	355 350 4239	81 35199 6313	Crown & pinion 12x27 R.=1:2,25	1	
6	194.400	355 350 4339	81 35199 6314	Crown & pinion 29x15 R.=1:1,93	1	
6	194.334	355 350 3939	81 35199 6315	Crown & pinion 17x29 R.=1:1,71	1	
6	194.333	355 350 4039	81 35199 6316	Crown & pinion 18x27 R.=1:1,50	1	
6	194.291	944 350 0739	81 35199 6317	Crown & pinion 21x28 R.=1:1,33	1	
6	194.605	355 350 4839	81 35199 6318	Crown & pinion 24x29 R.=1:1,21	1	
6	194.645	355 350 4939	81 35199 6375	Crown & pinion 25x29 R.=1:1,16	1	
7	133.127	308 353 0020	81 35107 0020	Spider	1	Old Type
8	122.064	355 353 0315	81 35106 0028	Side gear 16 T-34 Spl.	2	Old Type
9	169.589	355 353 0562	81 35613 0026	Thrust washer (Bronze)	2	
9	169.807	308 353 0062	81 35613 0034	Thrust washer (Steel)	2	
10	182.051	494 335 0214	81 35108 0049	Side pinion 10 T	4	Old Type
11	169.581	494 335 0075	81 90701 0727	Thrust washer	4	Old Type
12	198.859	CEI 198859	81 35107 6001	Differential gear kit	1	Old Type
13	133.056	355 353 0620	81 35608 0016	Spider	1	New Type
14	122.064	355 353 0315	81 35106 0028	Side gear 16 T-34 Spl.	2	New Type (A)
14	122.103	355 353 0815	81 35106 0038	Side gear 16 T-34 Spl.	2	New Type (B)
15	169.589	355 353 0562	81 35613 0026	Thrust washer (Bronze)	2	
15	169.807	308 353 0062	81 35613 0034	Thrust washer (Steel)	2	
16	115.010	355 353 6051	81 90712 0550	Spacer ring	4	New Type
17	117.253	355 353 0750	81 93020 0846	Bush	4	New Type
18	182.051	494 335 0214	81 35108 0049	Side pinion 10 T	4	New Type (A)
18	182.076	355 353 0614	81 35108 0061	Side pinion 10 T	4	New Type (B)
19	169.581	494 335 0075	81 90701 0727	Thrust washer	4	New Type
20	198.365	393 586 0035		Diff.gear kit	1	New Type (A)
20	198.910	393 350 0040		Diff.gear kit	1	New Type (B)
21	133.129	395 353 0320		Spider	1	Latest Type
22	122.104	355 353 0615	81 35106 0042	Side gear 14 T-34 Splines	2	Latest Type
23	169.589	355 353 0562	81 35613 0026	Thrust washer (Bronze)	2	
23	169.807	308 353 0062	81 35613 0034	Thrust washer (Steel)	2	
24	115.025	395 353 0551		Spacer	4	Latest Type
25	198.911	395 981 0287		Needle kit (156 PCS)	1	Latest Type
26	117.353	395 353 0351		Bush	4	Latest Type

Notes

(A-B) To be coupled together. (Toothing Different Type)

05 / 2004

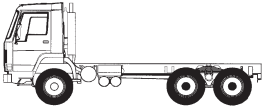
Table

001 / B

All original equipment manufacturers numbers, symbols, pictures, models and description used in this catalogue are for reference only, and it is not implied that any part listed is the product of these manufactures.
Tutti i nostri particolari non sono originali ma con essi intercambiabili. I riferimenti originali, le figure, i modelli sono esposti a semplice titolo indicativo. La nostra produzione riporta il nostro marchio.

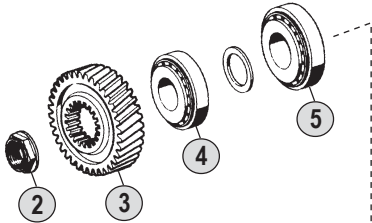
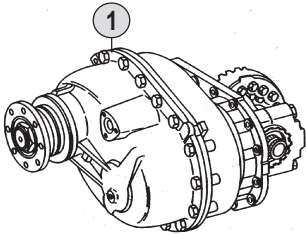
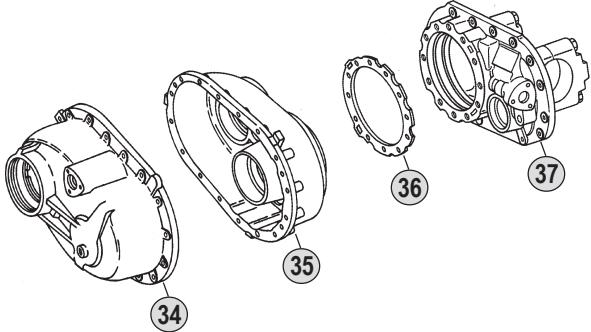
Adattabile a : **M.A.N.**
Suitable To :

HD7 1080 - 1380 / HD9 1180 - 1380



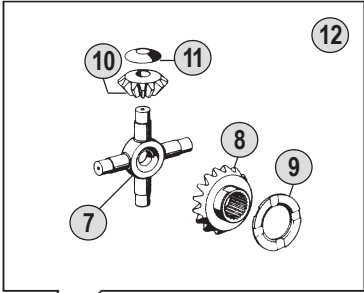
HD7 + HL7

**Axles with
Ø 233 mm CWP**

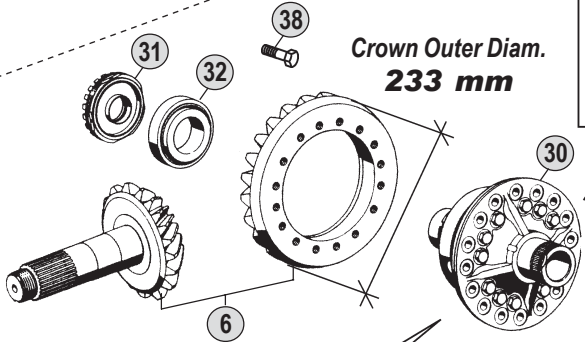


Old Type

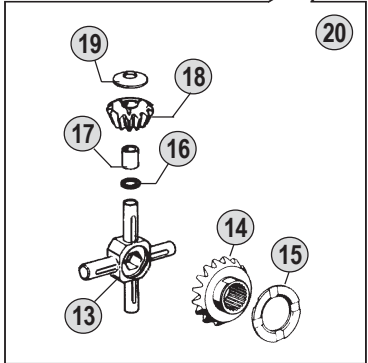
(MAN current production)



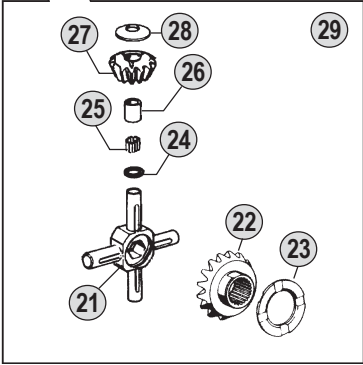
**Crown Outer Diam.
233 mm**



New Type



Latest Type



All original equipment manufacturers' numbers, symbols, pictures, models and description used in this catalogue are for reference only, and it is not implied that any part listed is the product of these manufacturers. Tutti i nostri particolari non sono originali ma con essi intercambiabili. I riferimenti originali, le figure, i modelli sono esposti a semplice titolo indicativo. La nostra produzione riporta il nostro marchio.

Models

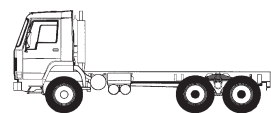
MB Axles Models HD7/2 - HD7/5 - HD7/11 - HD7/19

MB Axles Series From 740.000 To 740.079



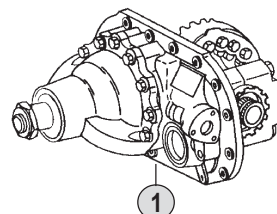
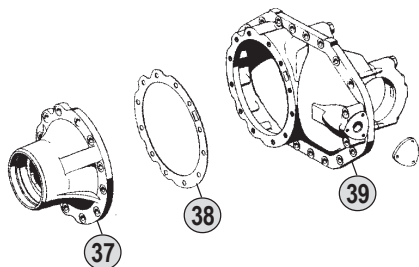
Adattabile a : **M.A.N.**
Suitable To :

H7 1080 - 1380 / H9 1180 - 1380

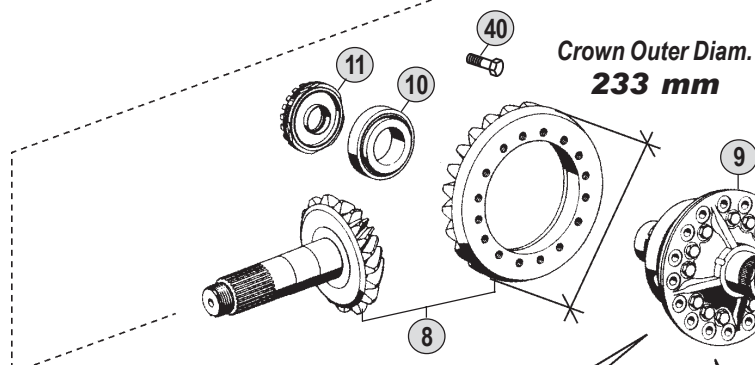
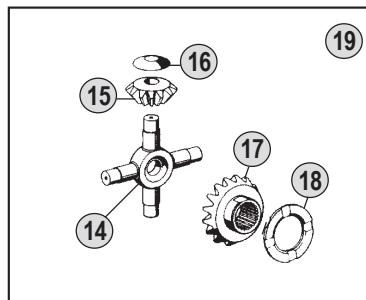
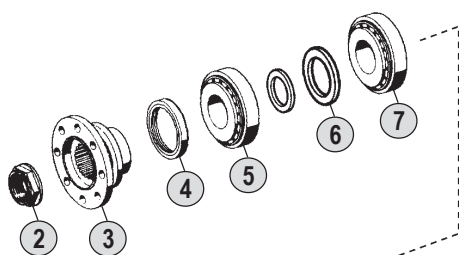


HD7 + HL7

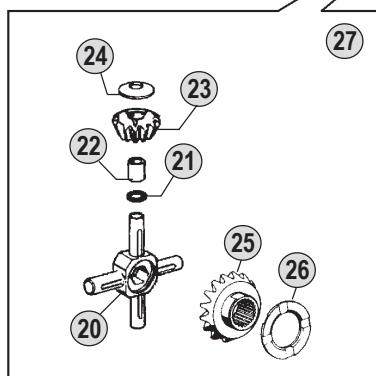
**Axles with
Ø 233 mm CWP**



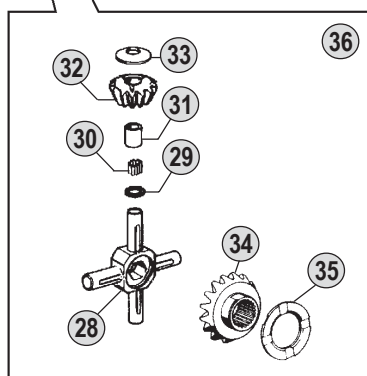
**Old Type
(MAN current production)**



New Type



Latest Type



All original equipment manufacturers' numbers, symbols, pictures, models and description used in this catalogue are for reference only, and it is not implied that any part listed is the product of these manufacturers. Tutti i nostri particolari non sono originali ma con essi intercambiabili. I riferimenti originali, le figure, i modelli sono esposti a semplice titolo indicativo. La nostra produzione riporta il nostro marchio.

Models

MB Axles Models HL7/1 - HL7/3 - HL7/4 - HL7/10 - HL7/18

MB Axles Series From 740.100 To 740.199



Fig.	CEI no.	MB no.	M.A.N. no.	Description	Q.ty	Note
1		387 350 2520	81 35000 6847	Rear Axle 12x27 R.1:2,25	1	
1		387 350 2820	81 35000 6846	Rear Axle 15x29 R.1:1,93	1	
1		387 350 3020	81 35000 6876	Rear Axle 17x29 R.1:1,71	1	
1		387 350 2620	81 35000 6875	Rear Axle 18x27 R.1:1,50	1	
1		305 350 9520		Rear Axle 27x37 R.1:1,37	1	
1		387 350 2720	81 35000 6843	Rear Axle 21x28 R.1:1,70	1	
1		381 350 0920		Rear Axle 19x25 R.1:1,31	1	
1		387 350 3120	81 35100 6436	Rear Axle 24x29 R.1:1,20	1	
1		387 350 9920	81 35100 6435	Rear Axle 25x29 R.1:1,16	1	
2	187.250	385 351 0672	81 90685 0311	Nut M 45x1,5	1	
3	155.195	305 353 0345	81 39115 0085	Output Flange D.150	1	
3	155.194	355 353 2245		Output Flange D.150 - 9 T	1	
3	155.211	355 353 1445	81 39115 0086	Output flange D.165	1	
3		355 353 2445		Output flange D.165	1	
3		355 353 1245		Output Flange D.180	1	
4	139.584	020 997 0647	06 56279 0362	Oil seal 72x105x13	1	
5	130.320	003 981 9005	06 32499 0071	Bearing 54,5x104,7x36,5	1	
6	169.828	355 353 0129	81 35730 0017	Oil deflector	1	
7	130.318	003 981 7005	06 32499 0095	Bearing 65x140x51	1	
8	194.646	355 350 3539	81 35199 6308	Crown & pinion 12x27 R.=1:2,25	1	
8	194.356	355 350 3439	81 35199 6564	Crown & pinion 15x29 R.=1:1,93	1	
8	194.295	355 350 4639	81 35199 6556	Crown & pinion 17x29 R.=1:1,71	1	
8	194.292	355 350 4739	81 35199 6555	Crown & pinion 18x27 R.=1:1,50	1	
8	194.647	357 350 0339	81 35199 6350	Crown & pinion 27x37 R.=1:1,37	1	
8	194.290	371 350 0139	81 35199 6304	Crown & pinion 21x28 R.=1:1,33	1	
8	194.649	355 350 5039		Crown & pinion 19x25 R.=1:1,31	1	
8	194.418	357 350 0639	81 35199 6560	Crown & pinion 24x29 R.=1:1,21	1	
8	194.651	357 350 0739	81 35199 6558	Crown & pinion 25x29 R.=1:1,16	1	
9	199.054	355 350 0227	81 35105 6030	Differential housing Empty	1	Old Type and New Type
9	199.095	CEI 199095		Differential housing Empty	1	Latest Type
9	199.053	387 350 1323	81 45100 6329	Differential housing Complete	1	New Type
9	199.096	387 350 5923		Differential housing Complete	1	Latest Type
10	130.319	003 981 4105	06 32499 0108	Bearing 65x110x34	1	
11	187.619	355 350 0343	81 35125 0004	Adjusting ring	1	
12	187.620	371 353 0025	81 35125 0006	Adjusting ring	1	
14	133.127	308 353 0020	81 35107 0020	Spider	1	Old Type
15	182.051	494 335 0214	81 35108 0049	Side pinion 10 T	4	Old Type
16	169.581	494 335 0075	81 90701 0727	Thrust washer	4	Old Type
17	122.064	355 353 0315	81 35106 0028	Side gear 16 T-34 Spl.	2	Old Type
18	169.589	355 353 0562	81 35613 0026	Thrust washer (Bronze)	2	
18	169.807	308 353 0062	81 35613 0034	Thrust washer (Steel)	2	
19	198.859	CEI 198859	81 35107 6001	Differential gear kit	1	Old Type
20	133.056	355 353 0620	81 35608 0016	Spider	1	New Type
21	115.010	355 353 6051	81 90712 0550	Spacer ring	4	New Type
22	117.253	355 353 0750	81 93020 0846	Bush	4	New Type

Notes

(A-B) To be coupled together. (Toothing Different Type)

Date

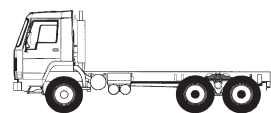
05 / 2004

Table

002

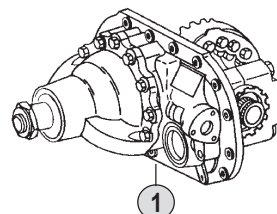
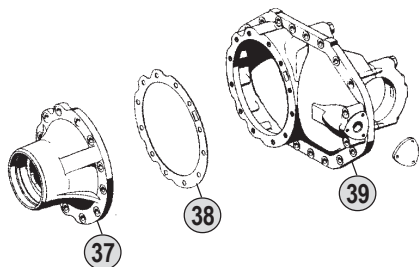
Adattabile a : **M.A.N.**
Suitable To :

H7 1080 - 1380 / H9 1180 - 1380

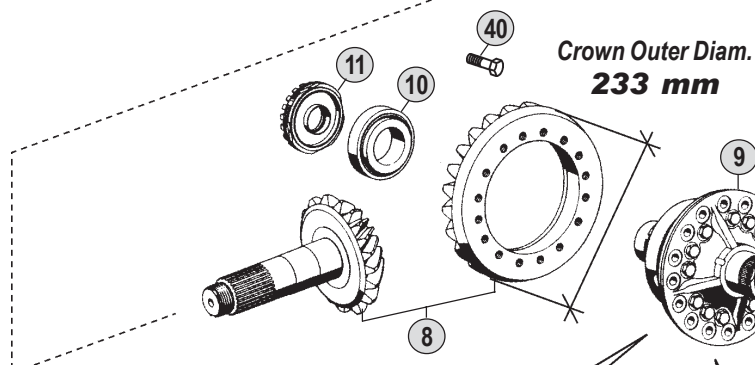
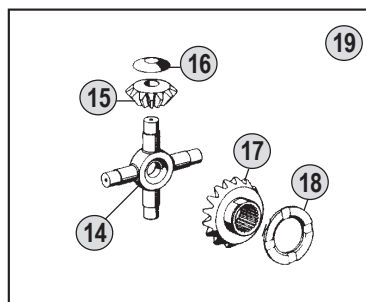
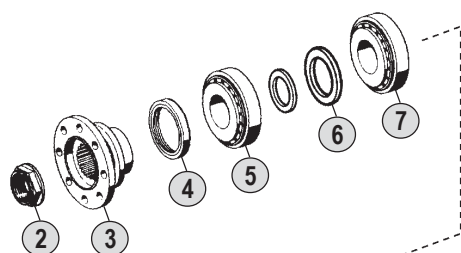


HD7 + HL7

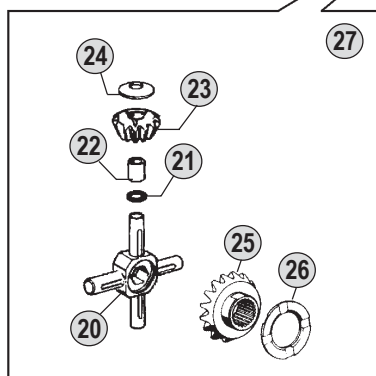
Axles with
Ø 233 mm CWP



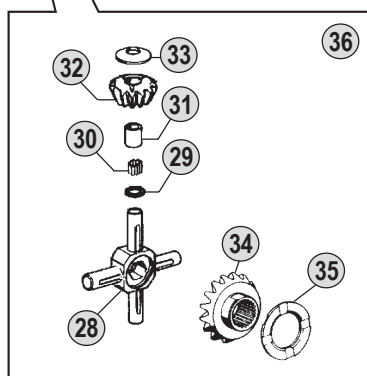
Old Type
(MAN current production)



New Type



Latest Type



All original equipment manufacturers' numbers, symbols, pictures, models and description used in this catalogue are for reference only, and it is not implied that any part listed is the product of these manufacturers. Tutti i nostri particolari non sono originali ma con essi intercambiabili. I riferimenti originali, le figure, i modelli sono esposti a semplice titolo indicativo. La nostra produzione riporta il nostro marchio.

Models

MB Axles Models HL7/1 - HL7/3 - HL7/4 - HL7/10 - HL7/18

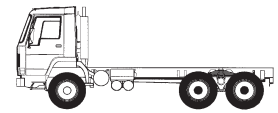
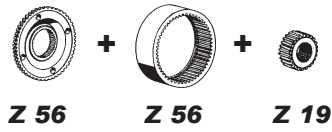
MB Axles Series From 740.100 To 740.199



Adattabile a : **M.A.N.**
Suitable To :

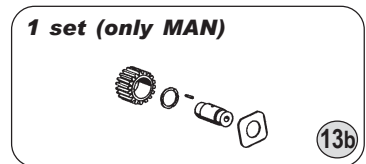
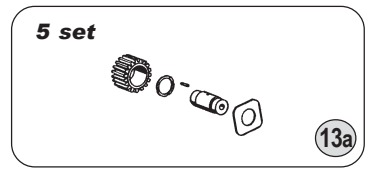
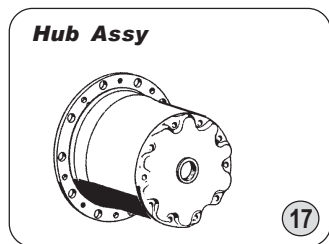
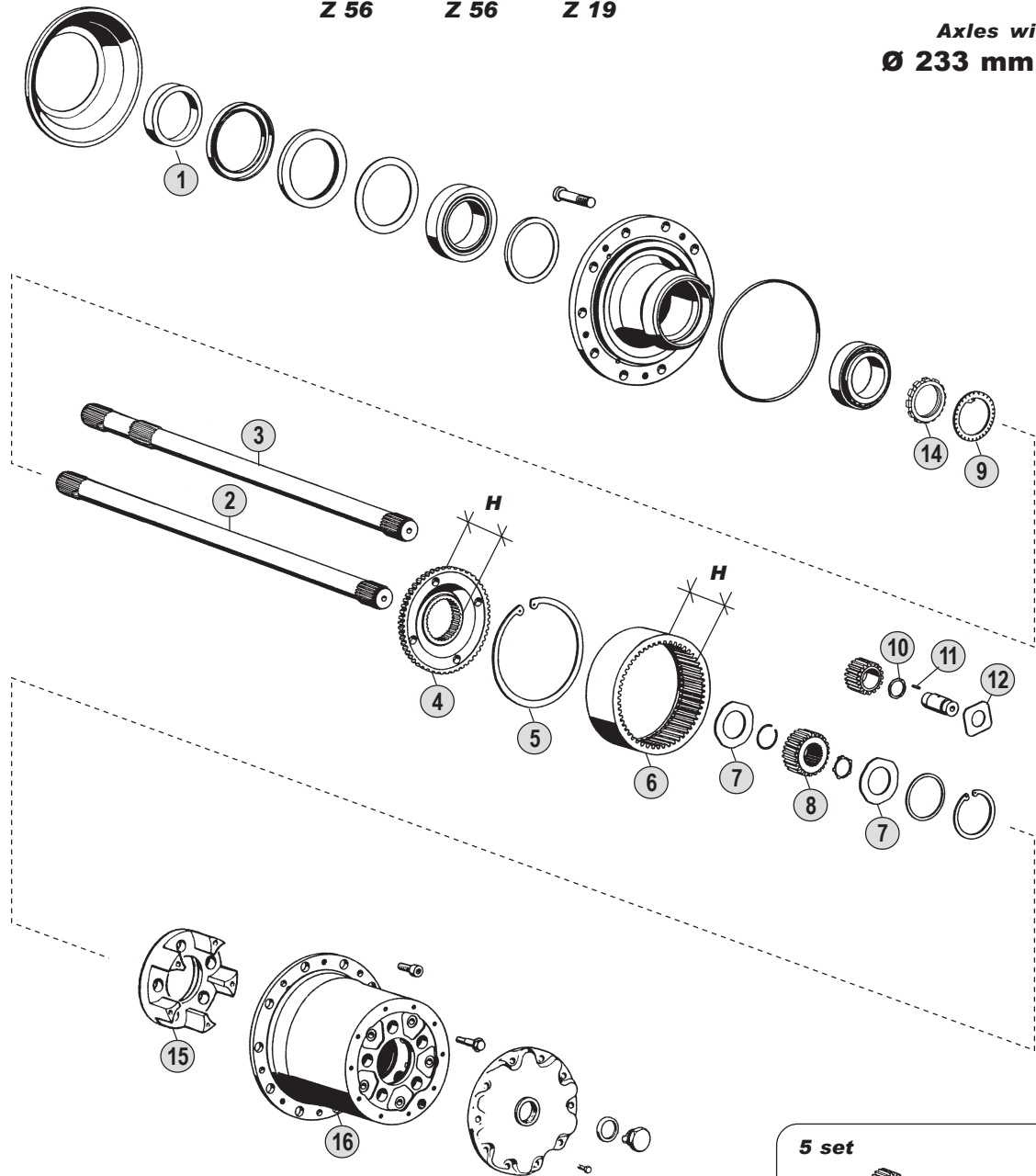
HD7-9 / H7-9 1080 - 1180 - 1380

1st Generation



HD7 + HL7

**Axles with
Ø 233 mm CWP**



All original equipment manufacturers' numbers, symbols, and description used in this catalogue are for reference only, and it is not implied that any part listed is the product of these manufacturers. Tutti i nostri particolari non sono originali ma con essi intercambiabili. I riferimenti originali, le figure, i modelli sono esposti a semplice titolo indicativo. La nostra produzione riporta il nostro marchio.

Models

MB Axles Models HD7/2 - HD7/5 - HD7/11 - HD7/19 (Intermediate)
HL7/1 - HL7/3 - HL7/4 - HL7/10 - HL7/18 (Rear)

MB Axles Series 740.000÷740.079 (Intermediate)
740.100÷740.199 (Rear)



Fig.	CEI no.	MB no.	M.A.N. no.	Description	Q.ty	Note
1	169.523	355 356 1215	81 35710 0093	Thrust ring	1	(AB)
1		355 356 0815	81 35710 0046	Thrust ring	1	(AB)
1	139.198	346 356 1415	81 35710 0094	Thrust ring	1	(C)
2	170.127	355 357 0701	81 35502 0029	Drive shaft L=1090 mm	1	
3	170.128	355 357 0801	81 35502 0030	Drive shaft L=1090 mm (With Lock)	1	
3	170.129	355 357 1001	81 35502 0037	Drive shaft L=1060 mm (With Lock)	1	
4	150.148	355 354 0709	81 35114 0019	Carrier hub 56 T	1	(AB) Old Type (H=40 mm)
4	150.125	355 354 1809		Carrier hub 56 T	1	(AB) (H=40 mm)
4	150.096	346 354 1009		Carrier hub 56 T	1	(C) Old Type (H=66 mm)
4	150.149	355 354 1909		Carrier hub 56 T	1	(C) (H=66 mm)
5	169.830	000472 240000		Snap ring 240x5,0 mm	1	Old Type
5	169.831	346 994 0439		Snap ring	1	
6	123.235	355 354 0312	81 35111 0009	Crown gear 56 T	1	(AC) Old Type (H=79 mm)
6	123.236	355 354 1212		Crown gear 56 T	1	(AC) (H=71,5 mm)
6	123.149	346 354 0512		Crown gear 56 T	1	(B) Old Type (H=89 mm)
6	123.191	355 354 1312		Crown gear 56 T	1	(B) (H=81,5 mm)
7	169.245	346 336 0062	81 90711 0640	Thrust washer	2	
8	157.647	355 354 0317	81 35113 0017	Sun Gear 19 T	1	(AC)
8	157.648	305 354 0317		Sun Gear 19 T	1	(B)
9	107.073	355 356 0173	81 90801 0224	Ring	1	
9	169.841	346 356 0073		Ring	1	
10	169.562	355 354 0162	81 90711 0546	Washer D.37x44,50x4,30	5	
11	171.028	001 981 2287		Needle kit D.5x19,50 (50 pcs)	5	(AC)
11	171.058	387 981 0187		Needle kit (50 pcs)	5	(B)
12	169.563	346 354 1362	81 90711 0641	Thrust washer	10	
13A	198.700	355 350 0354		Gear set 18 T	1	(AC)
13A	198.917	305 350 0454		Gear set 18 T	1	(B)
13B	198.918	CEI 198918	81 35112 6002	Gear set 18 T	5	(AC)
14	187.535	942 356 0026	81 90620 0048	Adjusting ring	2	
15		CEI		Hub support	1	(A)
15		CEI		Hub support	1	(B)
15		CEI		Hub support	1	(C)
16	198.935	355 350 3433		Hub empty	1	(A)
16	198.581	346 350 1533	81 35114 6038	Hub empty	1	(B)
16	175.178	355 350 2533	81 35114 6075	Hub empty	1	(C)
17	198.934	355 350 1009		Hub empty	1	(A)
17	198.920	305 350 0209		Hub assy	1	(B)
17	198.919	355 350 0709		Hub assy	1	(C)

Notes

(A-B-C) To be coupled together.

Date

05 / 2004

Table

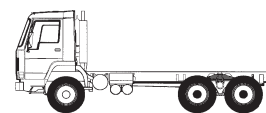
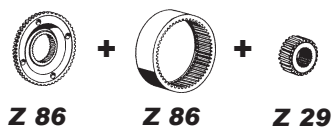
003 / A

All original equipment manufacturers numbers, symbols, pictures, models and description used in this catalogue are for reference only, and it is not implied that any part listed is the product of these manufactures.
Tutti i nostri particolari non sono originali ma con essi intercambiabili. I riferimenti originali, le figure, i modelli sono esposti a semplice titolo indicativo. La nostra produzione riporta il nostro marchio.

Adattabile a : **M.A.N.**
 Suitable To :

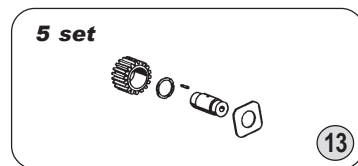
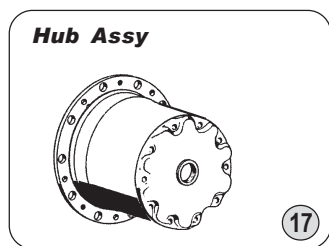
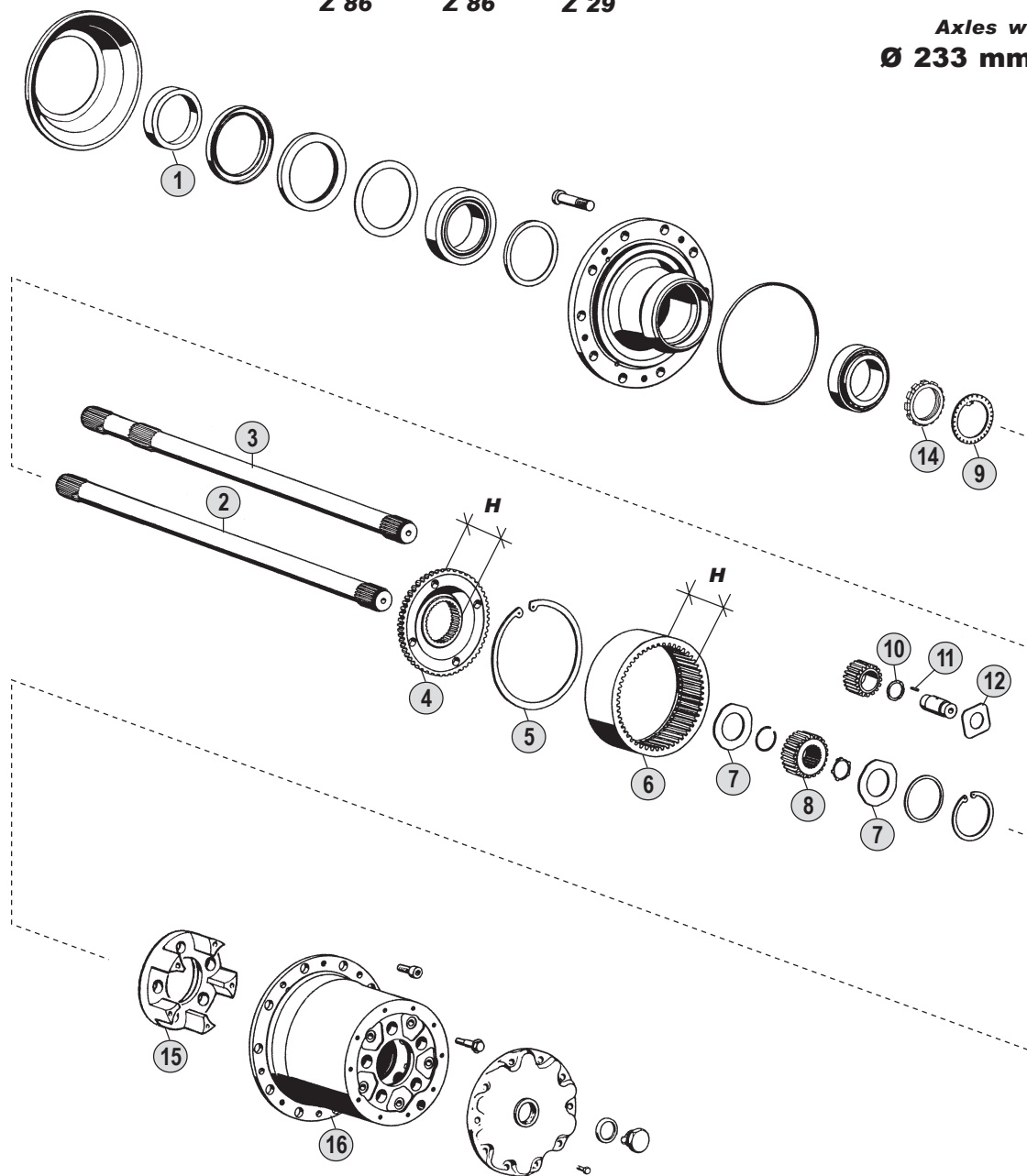
HD7-9 / H7-9 1080 - 1180 - 1380

2nd Generation



HD7 + HL7

**Axles with
 Ø 233 mm CWP**



All original equipment manufacturers' numbers, symbols, pictures, models and description used in this catalogue are for reference only, and it is not implied that any part listed is the product of these manufacturers. Tutti i nostri particolari non sono originali ma con essi intercambiabili. I riferimenti originali, le figure, i modelli sono esposti a semplice titolo indicativo. La nostra produzione riporta il nostro marchio.

Models

MB Axles Models HD7/2 - HD7/5 - HD7/11 - HD7/19 (Intermediate)
 HL7/1 - HL7/3 - HL7/4 - HL7/10 - HL7/18 (Rear)

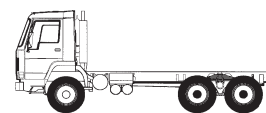
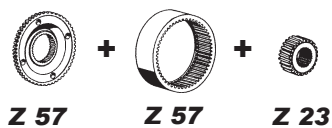
MB Axles Series 740.000÷740.079 (Intermediate)
 740.100÷740.199 (Rear)



Adattabile a : **M.A.N.**
 Suitable To :

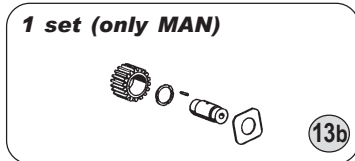
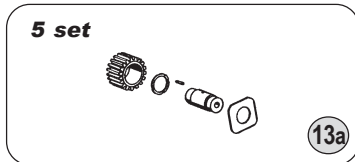
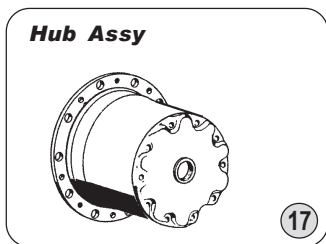
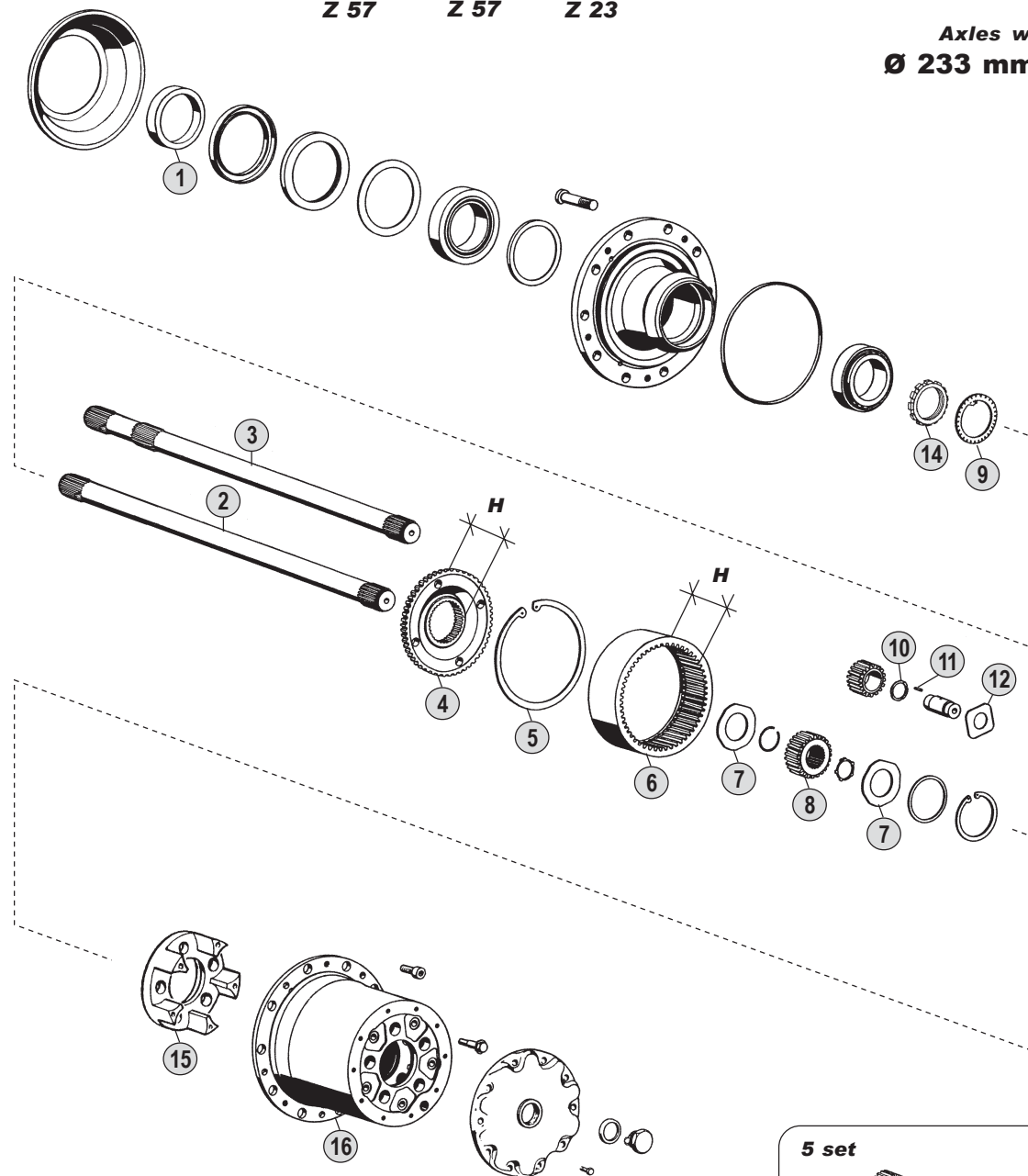
HD7-9 / H7-9 1080 - 1180 - 1380

1st Generation



HD7 + HL7

**Axles with
 Ø 233 mm CWP**



All original equipment manufacturers' numbers, symbols, pictures, models and description used in this catalogue are for reference only, and it is not implied that any part listed is the product of these manufacturers. Tutti i nostri particolari non sono originali ma con essi intercambiabili. I riferimenti originali, le figure, i modelli sono esposti a semplice titolo indicativo. La nostra produzione riporta il nostro marchio.

Models

MB Axles Models HD7/2 - HD7/5 - HD7/11 - HD7/19 (Intermediate)
 HL7/1 - HL7/3 - HL7/4 - HL7/10 - HL7/18 (Rear)

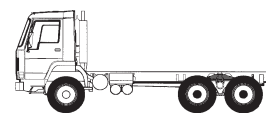
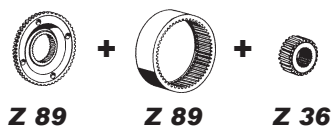
MB Axles Series 740.000÷740.079 (Intermediate)
 740.100÷740.199 (Rear)



Adattabile a : **M.A.N.**
 Suitable To :

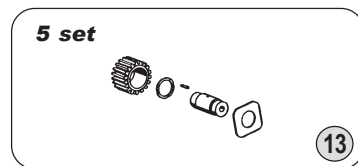
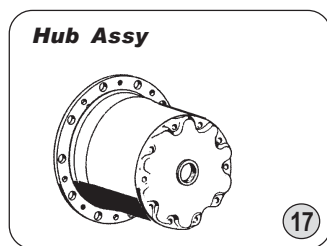
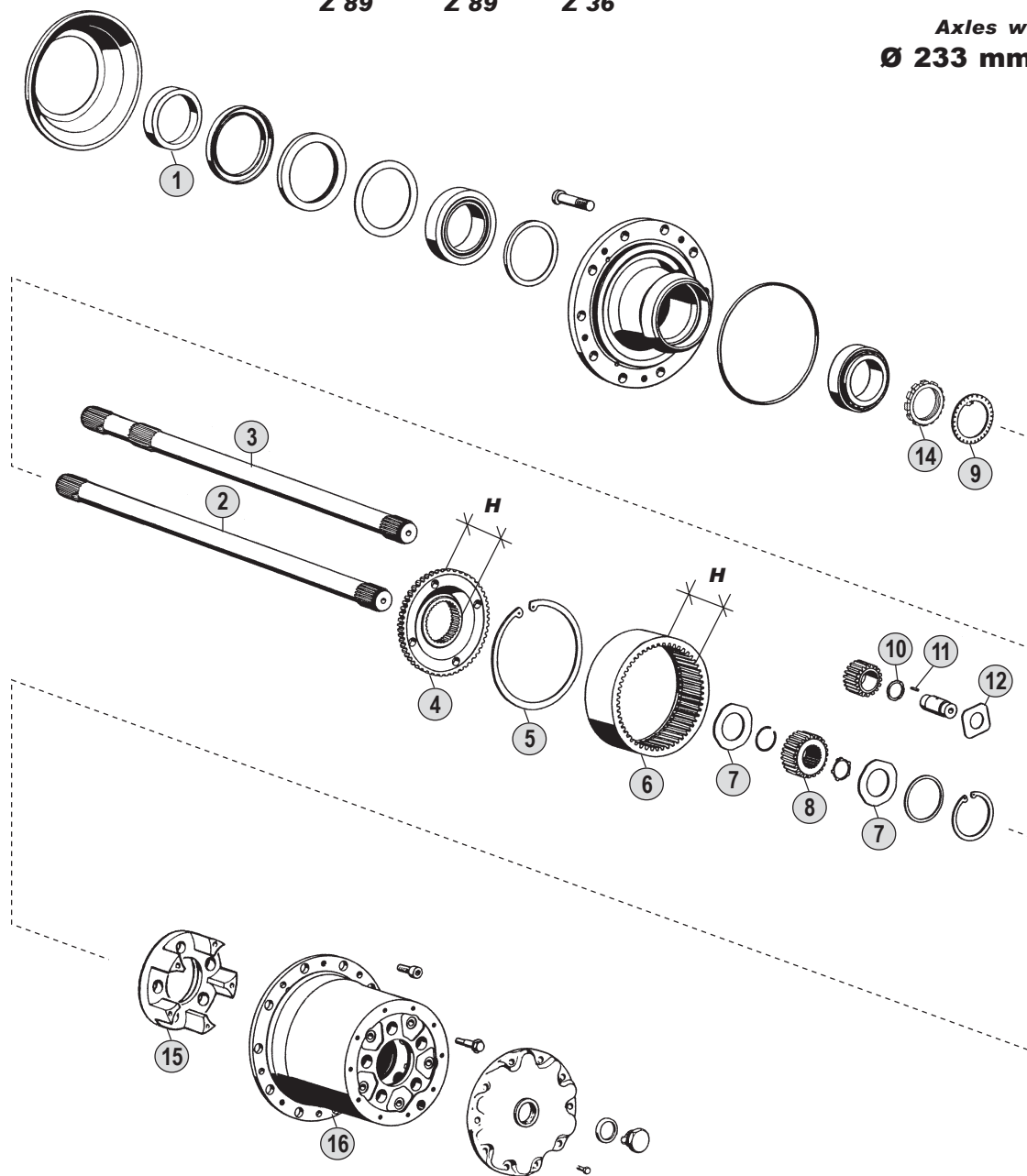
HD7-9 / H7-9 1080 - 1180 - 1380

2nd Generation



HD7 + HL7

**Axles with
 Ø 233 mm CWP**



All original equipment manufacturers' numbers, symbols and description used in this catalogue are for reference only, and it is not implied that any part listed is the product of these manufacturers. Tutti i nostri particolari non sono originali ma con essi intercambiabili. I riferimenti originali, le figure, i modelli sono esposti a semplice titolo indicativo. La nostra produzione riporta il nostro marchio.

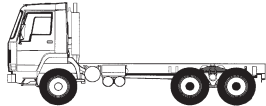
Models

MB Axles Models HD7/2 - HD7/5 - HD7/11 - HD7/19 (Intermediate)
 HL7/1 - HL7/3 - HL7/4 - HL7/10 - HL7/18 (Rear)

MB Axles Series 740.000÷740.079 (Intermediate)
 740.100÷740.199 (Rear)

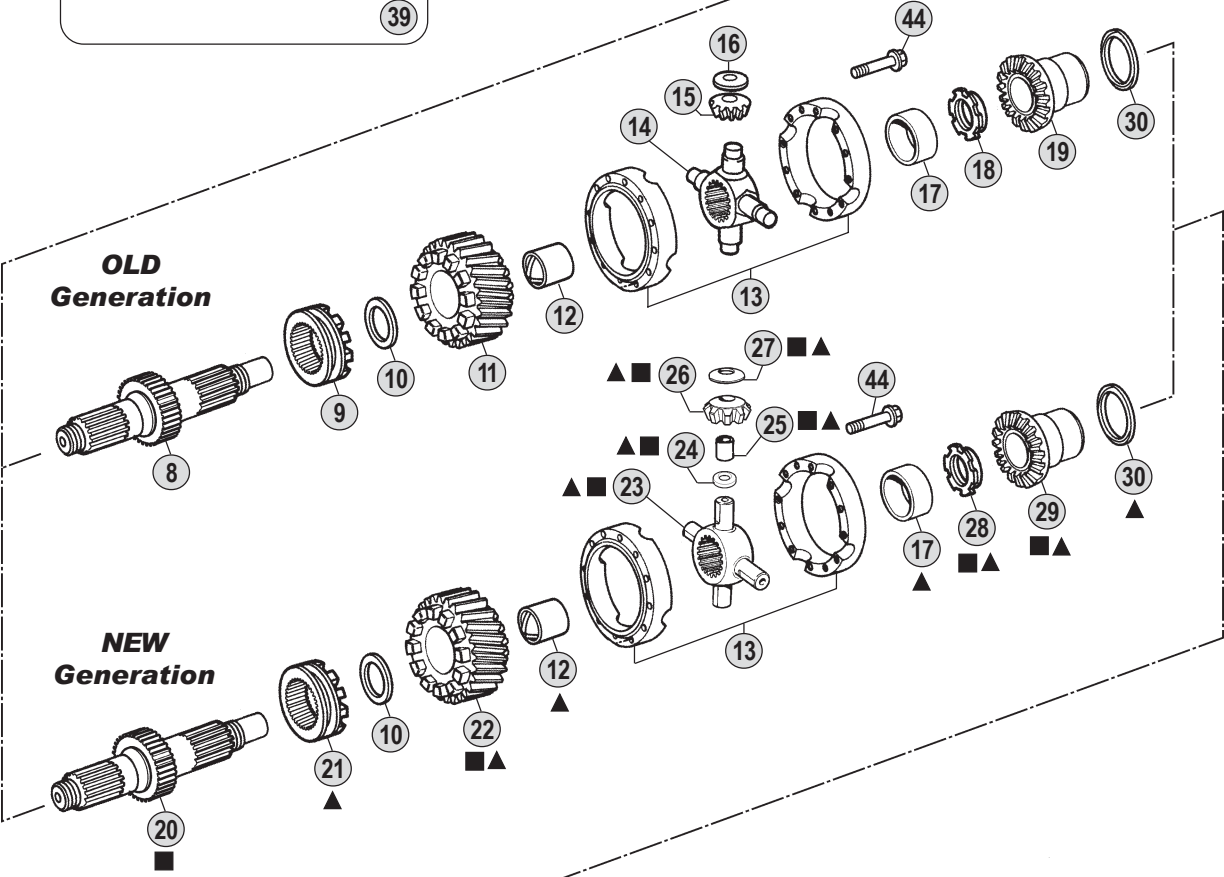
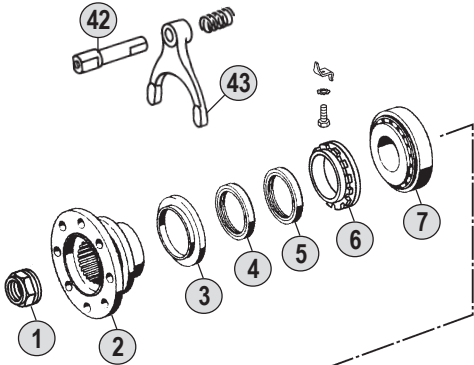
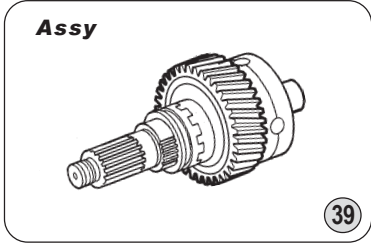


Adattabile a : **M.A.N. HD7 13120 - 16120 / HD9 13120 - 16120**
 Suitable To :



HD7 + HL7

Axles with
 Ø 300 mm CWP



Kits

- MB 40
- ▲ MAN 41

Models

MB Axles Models HD7/09 - HD7/014 - HD7/016

MB Axles Series From 740.500 To 740.550



All original equipment manufacturers' numbers, symbols, pictures, models and description used in this catalogue are for reference only, and it is not implied that any part listed is the product of these manufacturers. Tutti i nostri particolari non sono originali ma con essi intercambiabili. I riferimenti originali, le figure, i modelli sono esposti a semplice titolo indicativo. La nostra produzione riporta il nostro marchio.

Fig.	CEI no.	MB no.	M.A.N. no.	Description	Q.ty	Note
1	187.536	946 351 0072	81 90685 0303	Nut M 55x1,5	1	
2	155.071	346 350 0545	81 39115 5029	Output flange D.180 mm	1	
2	197.073	346 350 1445		Output Flange D.180 mm	1	
2		346 350 1645		Output Flange D.200 mm	1	
2		346 350 0945	81 39115 5059	Output Flange D.225 mm	1	
3		346 353 0090		Dust cover	1	
4	139.585	017 997 2847	06 56289 0361	Oil seal 105x85x16	1	
5	139.586	017 997 2947	06 56289 0357	Oil seal 105x85x16	1	
6	187.516	346 353 0825	81 90685 0054	Adjusting ring	1	
7	130.321	000625 920066	06 31421 4603	Bearing 65x140x33	1	
8	105.079	346 353 0335	81 35611 0006	Shaft	1	
9	154.146	346 353 0836	81 35612 0007	Sliding sleeve	1	
10	169.637	346 353 1962	81 35204 0024	Thrust washer Sp.3,65 mm (Bronze)	1	
10	169.636	346 353 1862	81 35204 0023	Thrust washer Sp.3,85 mm (Bronze)	1	
10	169.524	346 353 1762	81 35204 0022	Thrust washer Sp.4,00 mm (Bronze)	1	
10		346 353 2662		Thrust washer Sp.4,20 mm (Bronze)	1	
11	145.378	346 353 0385	81 35610 0016	Gear 30-18 T	1	
12	117.235	346 353 0450	81 93020 0568	Bush	1	
13	199.081	346 350 2327	81 35199 6593	Differential case (Empty)	1	
14	133.060	346 350 0128	81 35608 5001	Spider	1	
15	182.048	346 353 0514	81 35609 0006	Side pinion 11 T	4	
16	169.496	346 353 0224	81 90701 0721	Thrust washer	4	
17	117.236	346 353 0650	81 93020 0569	Bush	1	
18	187.507	346 353 0126	81 90620 0047	Adjusting ring M 60x1,5	1	
19	122.059	346 353 0515	81 35617 0001	Side gear 18 T	1	
20	105.161	346 353 0735	81 35611 0016	Shaft	1	
21	154.320	346 353 1136	81 35612 0015	Sleeve	1	
22	145.713	346 350 1324	81 35610 0031	Gear 30 T	1	
23	133.108	659 353 0020	81 35608 0025	Spider	1	
24	169.739	659 353 0051	81 91710 0444	Thrust washer	4	
25	117.300	659 353 0050	81 93021 0219	Bush	4	
26	182.063	659 353 0014	81 35609 0009	Side pinion 11 T	4	
27	169.496	346 353 0224	81 90701 0721	Thrust washer	4	
28	187.621	346 353 0326	81 90620 0087	Adjusting ring M 60x1,5	1	
29	122.088	346 353 1115	81 35617 0002	Side gear 18 T	1	
30	169.497	346 353 2462	81 35204 0031	Thrust washer Sp.2,35 mm (Bronze)	1	
30	169.525	346 353 2562	81 35204 0032	Thrust washer Sp.2,60 mm (Bronze)	1	
31	130.322	000000 000759	06 31421 0803	Bearing 80x140x26	1	
32	187.622	674 356 0226	06 12114 0122	Grooved nut M 60x1,5	1	
33	169.829	070952 060102	06 16130 0122	Thrust washer	1	
34	130.323	005 981 5925	06 31420 0402	Bearing 60x110x22	1	
35	139.587	017 997 3147	06 56279 0331	Oil seal 75x95x10	1	
36	139.588	017 997 3047	06 56279 0335	Oil seal 75x95x10	1	
37	187.623	346 353 0925	81 90685 0053	Grooved nut	1	
38	170.102	346 353 0435	81 35604 0006	Drive shaft	1	

Notes

Date

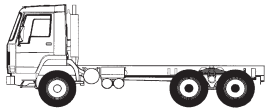
05 / 2004

Table

005 / A

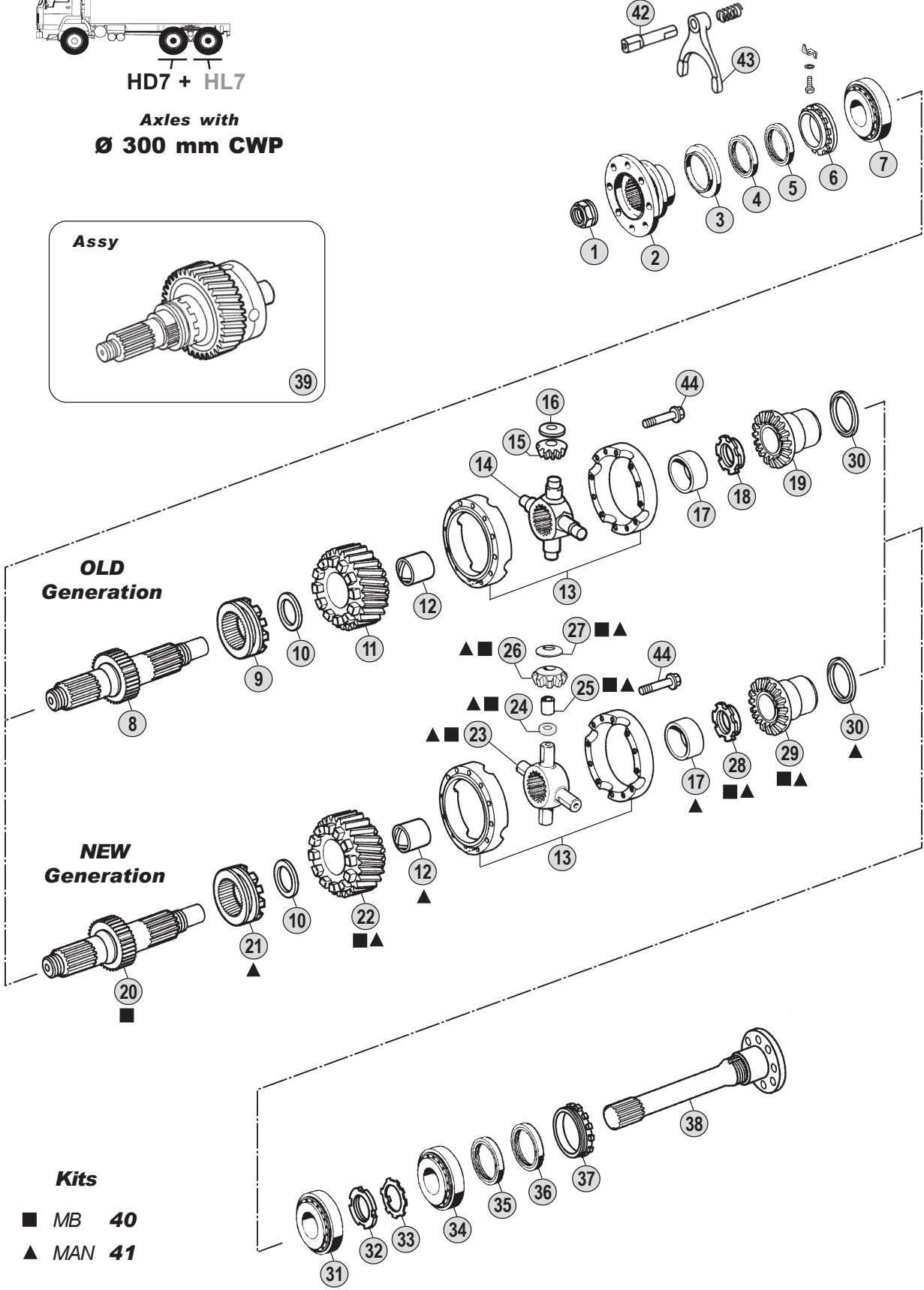
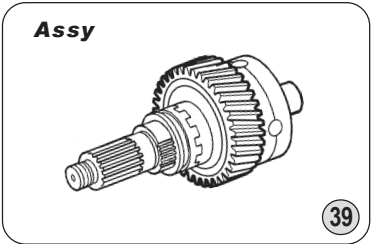
All original equipment manufacturers numbers, symbols, pictures, models and description used in this catalogue are for reference only, and it is not implied that any part listed is the product of these manufactures.
Tutti i nostri particolari non sono originali ma con essi intercambiabili. I riferimenti originali, le figure, i modelli sono esposti a semplice titolo indicativo. La nostra produzione riporta il nostro marchio.

Adattabile a : **M.A.N. HD7 13120 - 16120 / HD9 13120 - 16120**
 Suitable To :



HD7 + HL7

Axles with
 Ø 300 mm CWP



Kits

- MB 40
- ▲ MAN 41

Models

MB Axles Models HD7/09 - HD7/014 - HD7/016

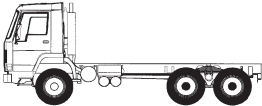
MB Axles Series

From 740.500 To 740.550



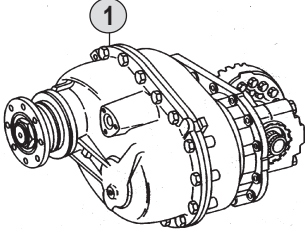
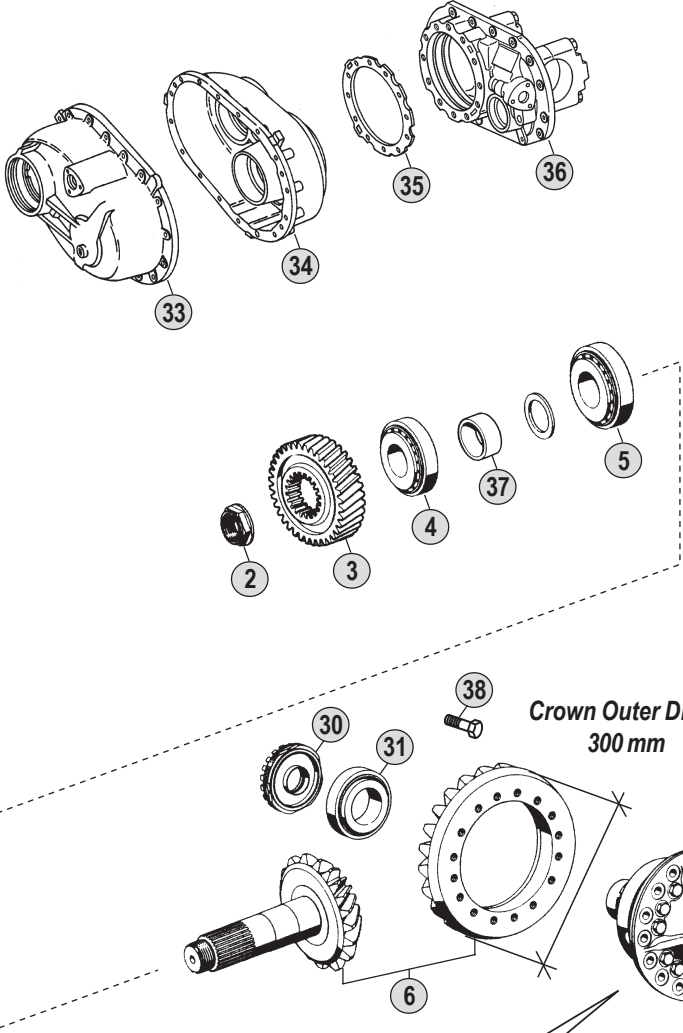
All original equipment manufacturers' numbers, symbols, pictures, models and description used in this catalogue are for reference only, and it is not implied that any part listed is the product of these manufactures. Tutti i nostri particolari non sono originali ma con essi intercambiabili. I riferimenti originali, le figure, i modelli sono esposti a semplice titolo indicativo. La nostra produzione riporta il nostro marchio.

Adattabile a : **M.A.N. HD7 13120 - 16120 / HD9 13120 - 16120**
 Suitable To :

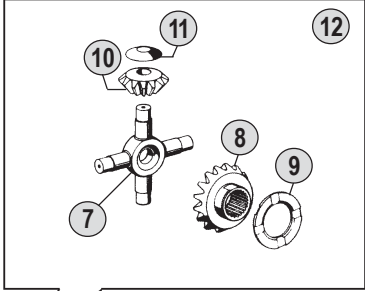


HD7 + HL7

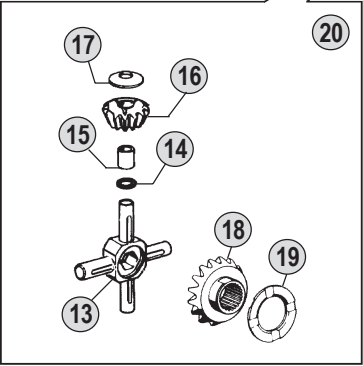
**Axles with
 Ø 300 mm CWP**



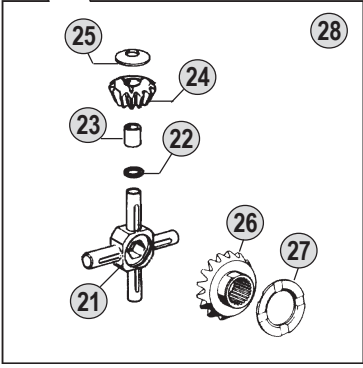
**Old Type
 (MAN current production)**



New Type



Latest Type



All original equipment manufacturers' numbers, symbols, pictures, models and description used in this catalogue are for reference only, and it is not implied that any part listed is the product of these manufactures. Tutti i nostri particolari non sono originali ma con essi intercambiabili. I riferimenti originali, le figure, i modelli sono esposti a semplice titolo indicativo. La nostra produzione riporta il nostro marchio.

Models

MB Axles Models HD7/09 - HD7/014 - HD7/016

MB Axles Series

From **740.500** To **740.550**



Fig.	CEI no.	MB no.	M.A.N. no.	Description	Q.ty	Note
1		346 350 2703	81 35600 6185	Inter.Axle 12x27 R.1:2,25	1	
1		346 350 2720	81 35600 6184	Inter.Axle 15x29 R.1:1,93	1	
1		655 350 0320	81 35600 6267	Inter.Axle 17x29 R.1:1,70	1	
1		346 350 2520	81 35600 6264	Inter.Axle 18x27 R.1:1,70	1	
1		655 350 1220	81 35600 6366	Inter.Axle 21x28 R.1:1,33	1	
1		346 350 8820	81 35600 6374	Inter.Axle 24x29 R.1:1,20	1	
2	187.536	946 351 0072	81 90685 0303	Nut M 55x1,5	1	
3	146.312	346 353 0085	81 35610 0011	Gear 30 T	1	
4	130.318	003 981 7005	06 32499 0095	Bearing 65x140x51	1	
5	130.598	003 981 3105	06 32499 0082	Bearing 150x70x55	1	
6	194.288	346 350 3139	81 35199 6347	Crown & pinion 12x27 R.=1:2,25	1	(A)
6	194.286	346 350 6139	81 35199 6325	Crown & pinion 15x29 R.=1:1,93	1	(A)
6	194.335	346 350 2639	81 35199 6326	Crown & pinion 17x29 R.=1:1,71	1	(A)
6	194.336	346 350 2739	81 35199 6327	Crown & pinion 18x27 R.=1:1,50	1	(A)
6	194.601	346 350 2939	81 35199 6553	Crown & pinion 21x28 R.=1:1,33	1	(A)
6	194.420	346 350 8139	81 35199 6566	Crown & pinion 24x29 R.=1:1,21	1	(B)
7	133.024	346 350 0228	81 35107 6014	Spider	1	Old Type
8	122.005	346 353 0315	81 35106 0027	Side gear 16 T-40 Splines	2	Old type (1)
8	122.076	346 353 0815	81 35106 0036	Side gear 16 T-40 Splines	2	Old Type (2)
9	169.137	346 353 2262	81 35613 0043	Thrust washer	2	
10	182.003	366 353 0414	81 35108 0044	Side pinion 11 T	4	Old Type (1)
10	182.080	CEI 182080	81 35108 0059	Side pinion 11 T	4	Old Type (2)
11	169.136	346 353 0124	81 90711 0535	Thrust ring	4	
12	198.915	CEI 198915	81 35107 6008	Differential gear kit	1	Old Type (2)
13	133.013	346 353 0420	81 35107 0024	Spider	1	New Type
14	115.006	346 353 3251	81 90713 0835	Spacer	4	New Type
15	117.083	346 353 0950	81 93020 0971	Bush D.28x32x35	4	New Type
16	182.027	346 353 0614	81 35108 0053	Side pinion 11 T	4	New Type
17	169.136	346 353 0124	81 90711 0535	Thrust ring	4	
18	122.005	346 353 0315	81 35106 0027	Side gear 16 T-40 Splines	2	New type
19	169.137	346 353 2262	81 35613 0043	Thrust washer	2	
20	198.128	387 586 0035		Differential gear kit	1	New Type
21	133.013	346 353 0420	81 35107 0024	Spider	1	Latest Type
22	115.006	346 353 3251	81 90713 0835	Spacer	4	Latest Type
23	117.083	346 353 0950	81 93020 0971	Bush D.28x32x35	4	Latest Type
24	182.056	346 353 1014	81 35108 0085	Side pinion 11 T	4	Latest Type
25	169.136	346 353 0124	81 90711 0535	Thrust ring	4	
26	122.076	346 353 0815	81 35106 0036	Side gear 16 T-40 Splines	2	Latest Type
27	169.137	346 353 2262	81 35613 0043	Thrust washer	2	
28	198.557	387 350 0040		Differential gear kit	1	Latest Type
29	199.048	346 350 0427	81 35100 6361	Differential Housing Empty	1	(A)
29	199.046	346 350 8123	81 35100 6327	Differential Housing Assy	1	(A)
29	199.105	CEI 199105	81 35100 6276	Differential Housing Empty	1	(B)
29	199.101	346 350 6623		Differential Housing Assy	1	(B)
30	187.514	346 350 0443	81 35125 6010	Adjusting ring	1	

Notes

(A-B) Respect the coupling as the assembling wheelbase between the CWP and the differential housing changes.

- (1) Old Style Toothing. Use items marked (1) together
 (2) New Style Toothing. Use items marked (2) together

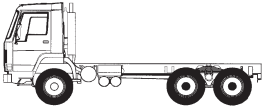
Date

05 / 2004

Table

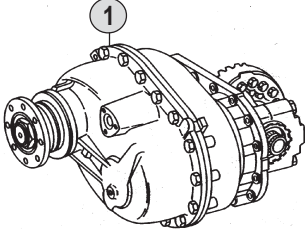
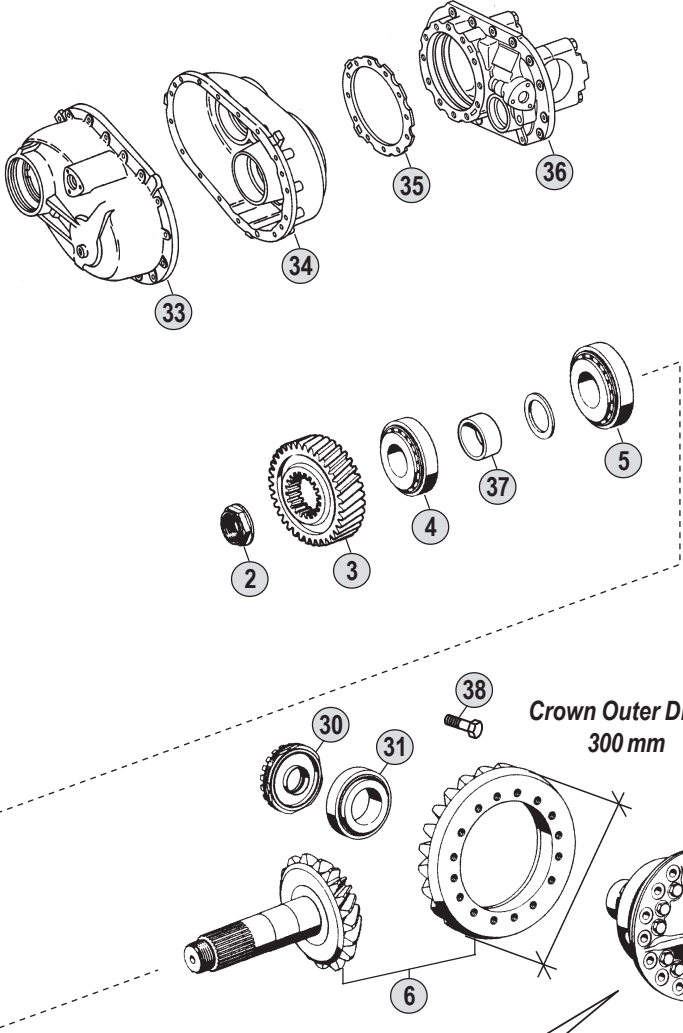
005 / B

Adattabile a : **M.A.N. HD7 13120 - 16120 / HD9 13120 - 16120**
Suitable To :

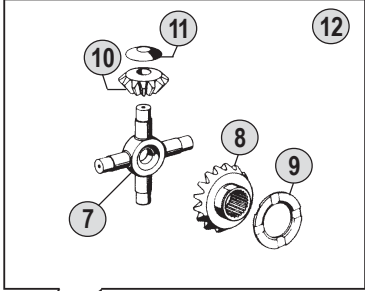


HD7 + HL7

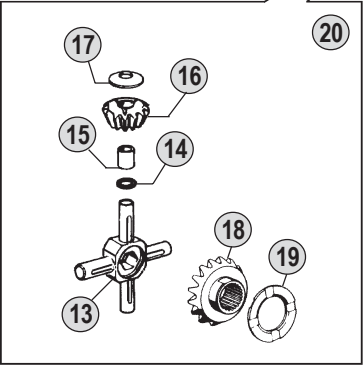
**Axles with
Ø 300 mm CWP**



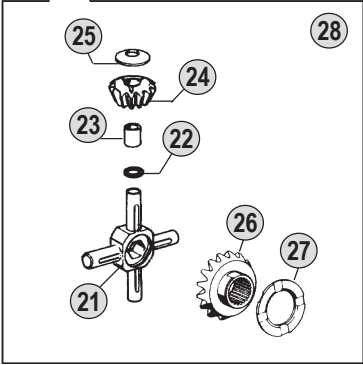
**Old Type
(MAN current production)**



New Type



Latest Type



All original equipment manufacturers' numbers, symbols, pictures, models and description used in this catalogue are for reference only, and it is not implied that any part listed is the product of these manufactures. Tutti i nostri particolari non sono originali ma con essi intercambiabili. I riferimenti originali, le figure, i modelli sono esposti a semplice titolo indicativo. La nostra produzione riporta il nostro marchio.

Models

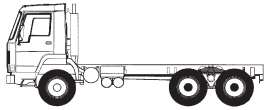
MB Axles Models HD7/09 - HD7/014 - HD7/016

MB Axles Series From 740.500 To 740.550



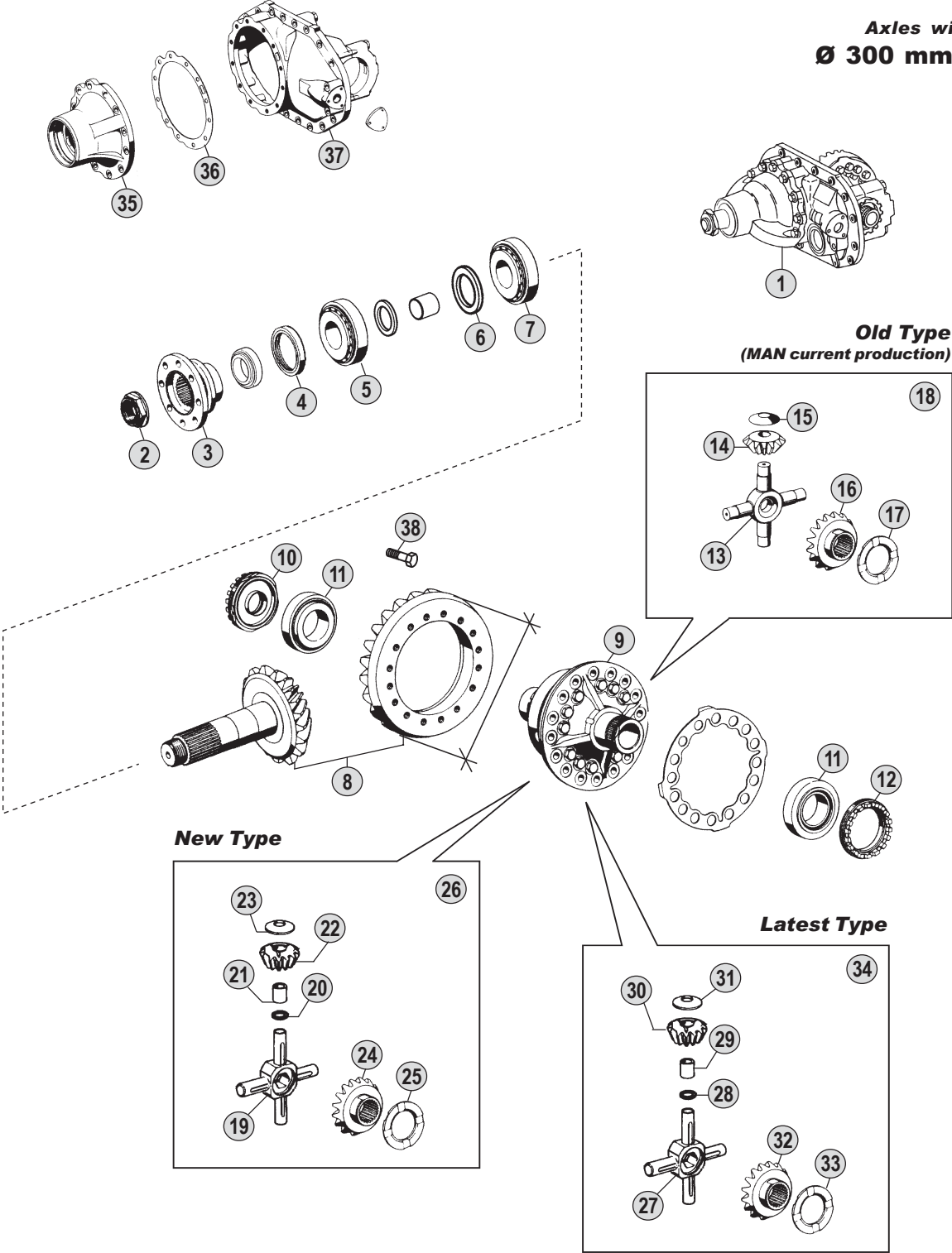
Adattabile a : **M.A.N.**
Suitable To :

H7 13120 - 16120 / H9 13120 - 16120



HD7 + HL7

**Axles with
Ø 300 mm CWP**



All original equipment manufacturers' numbers, symbols, pictures, models and description used in this catalogue are for reference only, and it is not implied that any part listed is the product of these manufacturers. Tutti i nostri particolari non sono originali ma con essi intercambiabili. I riferimenti originali, le figure, i modelli sono esposti a semplice titolo indicativo. La nostra produzione riporta il nostro marchio.

Models

MB Axles Models HL7/07 - HL7/010 - HL7/013 - HL7/015 - HL7/021

MB Axles Series From 740.300 To 740.399



Fig.	CEI no.	MB no.	M.A.N. no.	Description	Q.ty	Note
1		307 350 4020		Rear Axle 11x31 R.1:2,82	1	
1		346 350 9803	81 35010 6010	Rear Axle 12x27 R.1:2,25	1	
1		346 350 7120	81 35010 6007	Rear Axle 15x29 R.1:1,93	1	
1		346 350 7220	81 35010 6004	Rear Axle 17x29 R.1:1,70	1	
1		346 350 9903	81 35010 6001	Rear Axle 18x27 R.1:1,50	1	
1		346 350 7020	81 35010 6041	Rear Axle 21x28 R.1:1,33	1	
1		397 350 0120	81 35010 6063	Rear Axle 24x29 R.1:1,20	1	
1		393 350 7720	81 35010 6060	Rear Axle 25x29 R.1:1,16	1	
1		655 350 7820		Rear Axle 24x26 R.1:1,08	1	
2	187.536	946 351 0072	81 90685 0303	Nut M 55x1,5	1	
3		650 350 0045		Output Flange D.150	1	
3	155.086	346 350 0445	81 39115 5030	Output Flange D.165	1	
3	155.070	346 350 0645		Output Flange D.165	1	
3		346 350 1545		Output Flange D.165	1	
3	155.071	346 350 0545	81 39115 5029	Output Flange D.180	1	
3		346 350 0845	81 39115 5057	Output Flange D.180	1	
3		346 350 1245		Output Flange D.180	1	
3	197.073	346 350 1445		Output Flange D.180	1	
3		346 350 0945	81 39115 5059	Output Flange D.225	1	
4	139.589	015 997 4747		Oil seal 85x105x13	1	
5	130.324	002 981 4505	06 32499 0088	Bearing 65x140x36	1	
6	169.836	346 353 1429	81 35730 0018	Thrust washer 85x120	1	
7	130.598	003 981 3105	06 32499 0082	Bearing 70x150x38	1	
8		307 350 0139		Crown & pinion 11x31 R.=1:2,82	1	(A)
8	194.287	346 350 1839	81 35199 6300	Crown & pinion 12x27 R.=1:2,25	1	(A)
8	194.183	346 350 5939	81 35199 6528	Crown & pinion 15x29 R.=1:1,93	1	(A)
8	194.131	346 350 5739	81 35199 6527	Crown & pinion 17x29 R.=1:1,71	1	(A)
8	194.126	346 350 1739	81 35199 6299	Crown & pinion 18x27 R.=1:1,50	1	(A)
8	194.182	346 350 1939	81 35199 6552	Crown & pinion 21x28 R.=1:1,33	1	(A)
8	194.419	346 350 8039	81 35199 6588	Crown & pinion 24x29 R.=1:1,21	1	(B)
8	194.422	346 350 4639	81 35199 6586	Crown & pinion 25x29 R.=1:1,16	1	(B)
8	194.421	346 350 4439		Crown & pinion 24x26 R.=1:1,08	1	(C)(1)
9	199.048	346 350 0427	81 35100 6361	Differential Housing Empty	1	(A)
9	199.046	346 350 8123	81 35100 6327	Differential Housing Assy	1	(A)
9	199.113	CEI 199113	81 35100 6360	Differential Housing Empty	1	(B)
9	199.106	346 350 8223	81 35100 6336	Differential Housing Assy	1	(B)
9	199.107	CEI 199107		Differential Housing Empty	1	(C)(1)
9	199.108	393 350 2623		Differential Housing Assy	1	(C)(1)
10	187.514	346 350 0443	81 35125 6010	Adjusting ring	1	
11	130.599	003 981 3205	06 32499 0131	Bearing	2	
12	187.515	652 353 0025	81 35125 0003	Adjusting ring	1	
13	133.024	346 350 0228	81 35107 6014	Spider	1	Old Type
14	182.003	366 353 0414	81 35108 0044	Side pinion 11 T	4	Old Type (2)
14	182.080	CEI 182080	81 35108 0059	Side pinion 11 T	4	Old Type (3)
15	169.136	346 353 0124	81 90711 0535	Thrust ring	4	

Notes

- (A-B-C) Respect the coupling as the assembling wheelbase between the CWP and the differential housing changes.
- (1) Bevel Gear 24x26 R.=1:1,08 **MUST** be assembled only on Axles with **SAME RATIO**.
- (2) Old Style Toothing. Use items marked (2) together
- (3) New Style Toothing. Use items marked (3) together

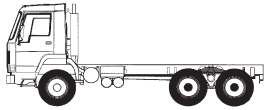
Date

05 / 2004

Table**006**

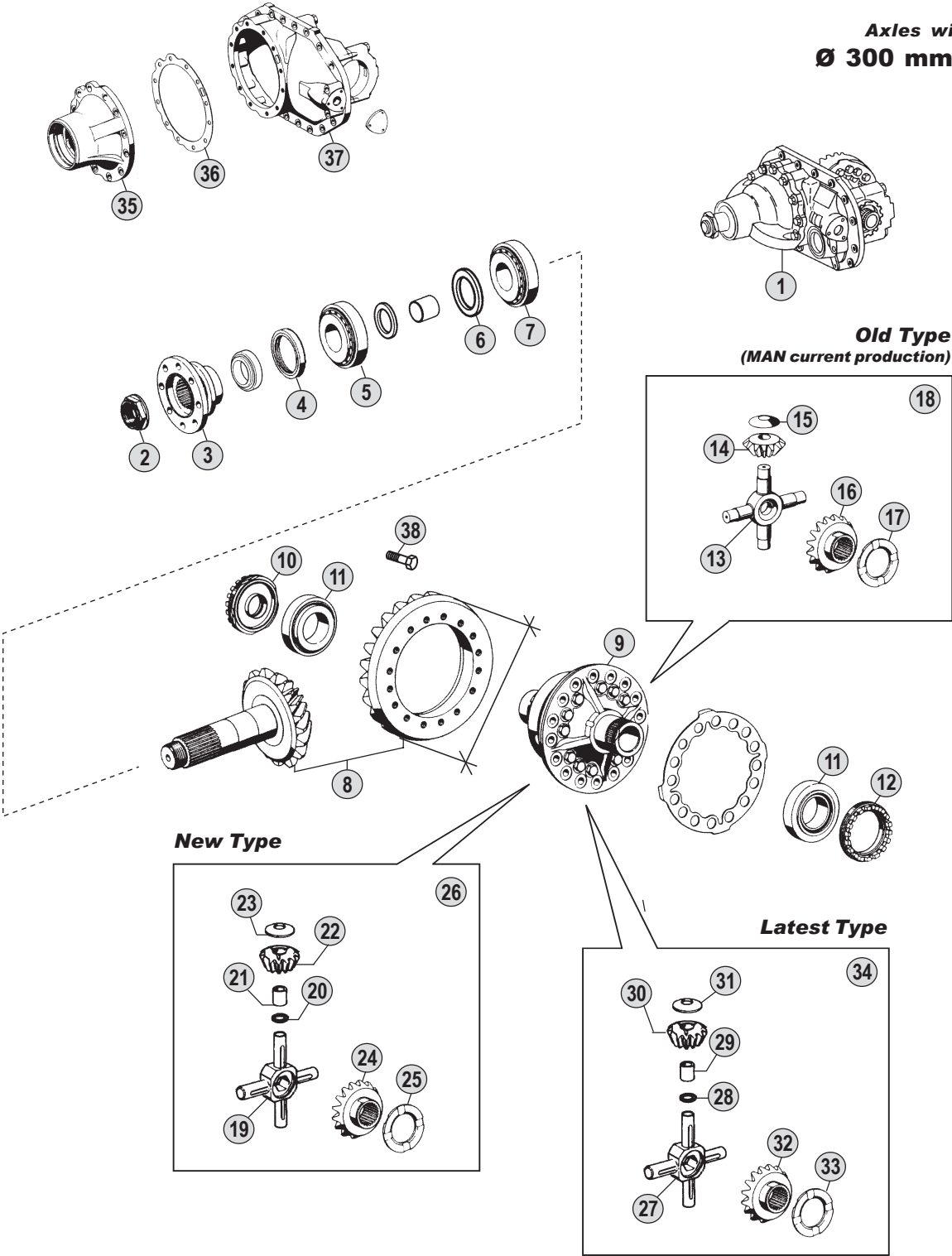
Adattabile a : **M.A.N.**
Suitable To :

H7 13120 - 16120 / H9 13120 - 16120



HD7 + HL7

**Axles with
Ø 300 mm CWP**



All original equipment manufacturers' numbers, symbols, pictures, models and description used in this catalogue are for reference only, and it is not implied that any part listed is the product of these manufacturers. Tutti i nostri particolari non sono originali ma con essi intercambiabili. I riferimenti originali, le figure, i modelli sono esposti a semplice titolo indicativo. La nostra produzione riporta il nostro marchio.

Models

MB Axles Models HL7/07 - HL7/010 - HL7/013 - HL7/015 - HL7/021

MB Axles Series From 740.300 To 740.399



Fig.	CEI no.	MB no.	M.A.N. no.	Description	Q.ty	Note
16	122.005	346 353 0315	81 35106 0027	Side gear 16 T-40 Splines	2	Old Type (2)
16	122.076	346 353 0815	81 35106 0036	Side gear 16 T-40 Splines	2	Old Type (3)
17	169.137	346 353 2262	81 35613 0043	Thrust washer	2	
18	198.915	CEI 198915	81 35107 6008	Differential gear kit	1	Old Type (3)
19	133.013	346 353 0420	81 35107 0024	Spider	1	New Type
20	115.006	346 353 3251	81 90713 0835	Spacer	4	New Type
21	117.083	346 353 0950	81 93020 0971	Bush D.28x32x35	4	New Type
22	182.027	346 353 0614	81 35108 0053	Side pinion 11 T	4	New Type
23	169.136	346 353 0124	81 90711 0535	Thrust ring	4	
24	122.005	346 353 0315	81 35106 0027	Side gear 16 T-40 Splines	2	New Type
25	169.137	346 353 2262	81 35613 0043	Thrust washer	2	
26	198.128	387 586 0035		Differential gear kit	1	New Type
27	133.013	346 353 0420	81 35107 0024	Spider	1	Latest Type
28	115.006	346 353 3251	81 90713 0835	Spacer	4	Latest Type
29	117.083	346 353 0950	81 93020 0971	Bush D.28x32x35	4	Latest Type
30	182.056	346 353 1014	81 35108 0085	Side pinion 11 T	4	Latest Type
31	169.136	346 353 0124	81 90711 0535	Thrust ring	4	
32	122.076	346 353 0815	81 35106 0036	Side gear 16 T-40 Splines	2	Latest Type
33	169.137	346 353 2262	81 35613 0043	Thrust washer	2	
34	198.557	387 350 0040		Differential gear kit	1	Latest Type
35	199.109	346 353 0807	81 35601 0020	Cover	1	(AB)
35	199.110	346 353 0907		Cover	1	(C)
36	169.833	346 353 0952	81 90701 0711	Shim Sp.0,10 mm	1	(AB)
36	169.834	346 353 1352	81 90701 0733	Shim Sp.0,50 mm	1	(AB)
36	169.835	346 353 1452	81 90701 0734	Shim Sp.1,00 mm	1	(AB)
36	169.837	346 353 1852		Shim Sp.0,10 mm	1	(C)
36	169.838	346 353 2252		Shim Sp.0,50 mm	1	(C)
36	169.839	346 353 2352		Shim Sp.1,00 mm	1	(C)
37	199.111	395 350 8720	81 35301 6093	Differential support	1	(AB)
37	199.112	388 350 0262		Differential support	1	(C)
38	187.630	346 990 3101	81 90490 0331	Screw M14x1 (Cwp to Housing)	16	

All original equipment manufacturers numbers, symbols, pictures, models and description used in this catalogue are for reference only, and it is implied that any part listed is the product of these manufactures.
Tutti i nostri particolari non sono originali ma con essi intercambiabili. I riferimenti originali, le figure, i modelli sono esposti a semplice titolo indicativo. La nostra produzione riporta il nostro marchio.

M.A.N. ÷ MB
Axle with CWP Ø 300

Notes

- (A-B-C) Respect the coupling as the assembling wheelbase between the CWP and the differential housing changes.
- (1) Bevel Gear 24x26 R.=1:1,08 **MUST** be assembled only on Axles with **SAME RATIO**.
- (2) Old Style Tothing. Use items marked (2) together
- (3) New Style Tothing. Use items marked (3) together

Date

05 / 2004

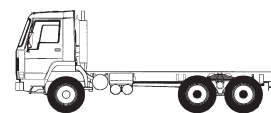
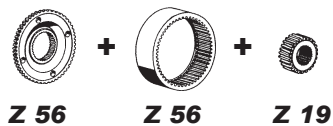
Table

006

Adattabile a : **M.A.N.**
 Suitable To :

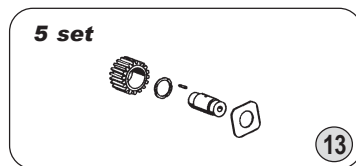
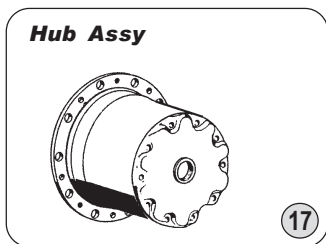
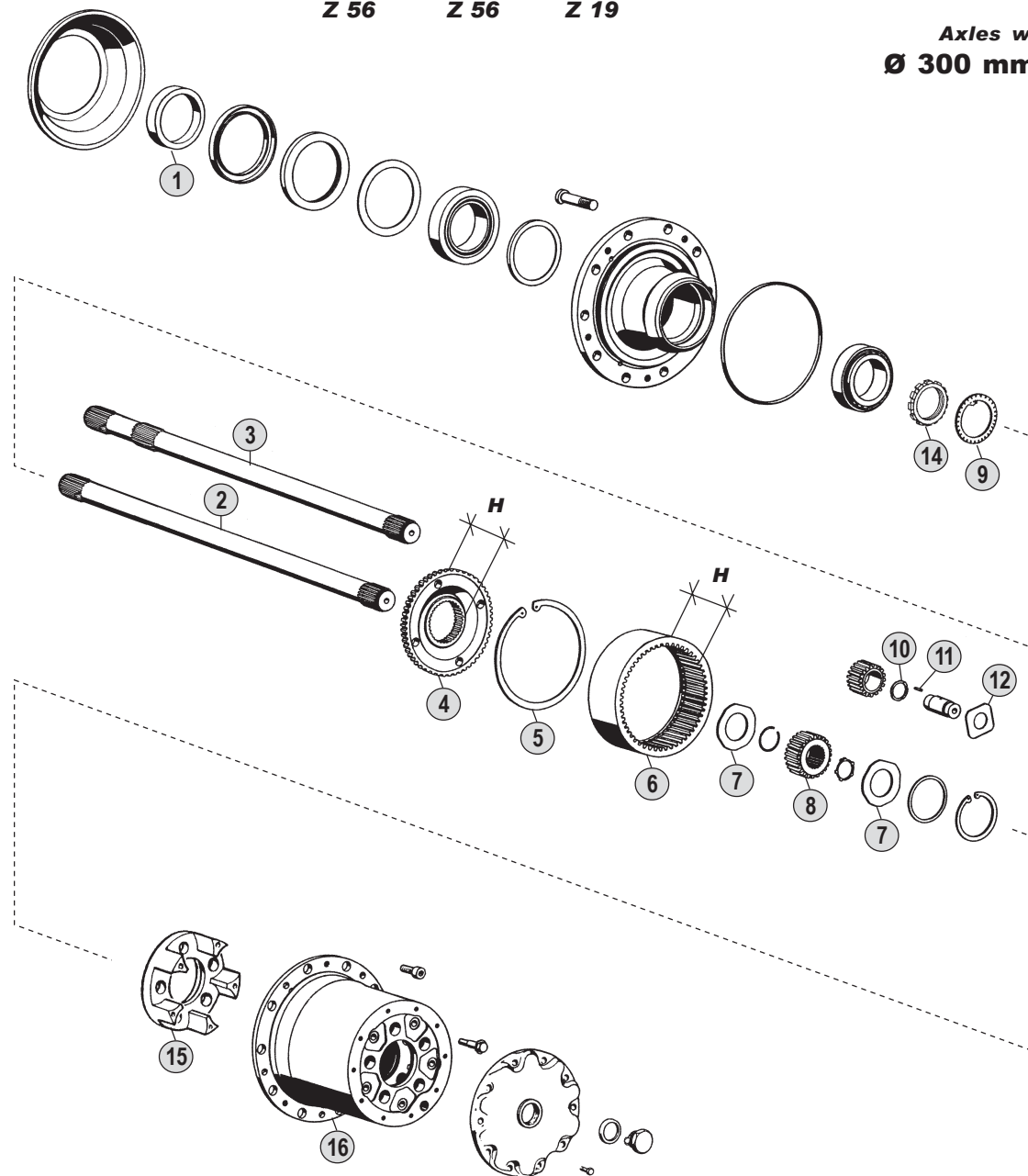
Hubs for Intermediate and Rear Axles
HD7-9 / H7-9 13120 - 16120

1st Generation



HD7 + HL7

Axles with
Ø 300 mm CWP



All original equipment manufacturers' numbers, symbols, pictures, models and description used in this catalogue are for reference only, and it is not implied that any part listed is the product of these manufacturers. Tutti i nostri particolari non sono originali ma con essi intercambiabili. I riferimenti originali, le figure, i modelli sono esposti a semplice titolo indicativo. La nostra produzione riporta il nostro marchio.

Models

MB Axles Models HD7/09 - HD7/014 - HD7/016 (Intermediate)
 HL7/07 - HL7/010 - HL7/013 - HL7/015 - HL7/021 (Rear)

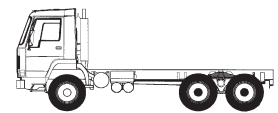
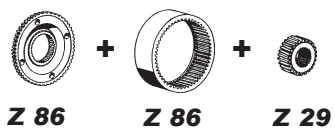
MB Axles Series From 740.500 To 740.550 (Intermediate)
 From 740.300 To 740.399 (Rear)



Adattabile a : **M.A.N.**
 Suitable To :

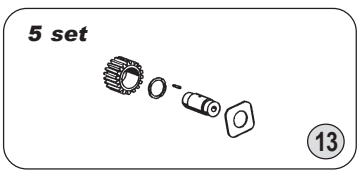
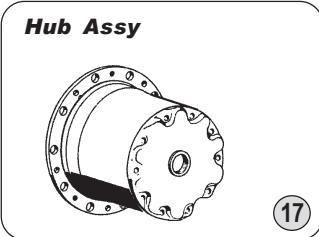
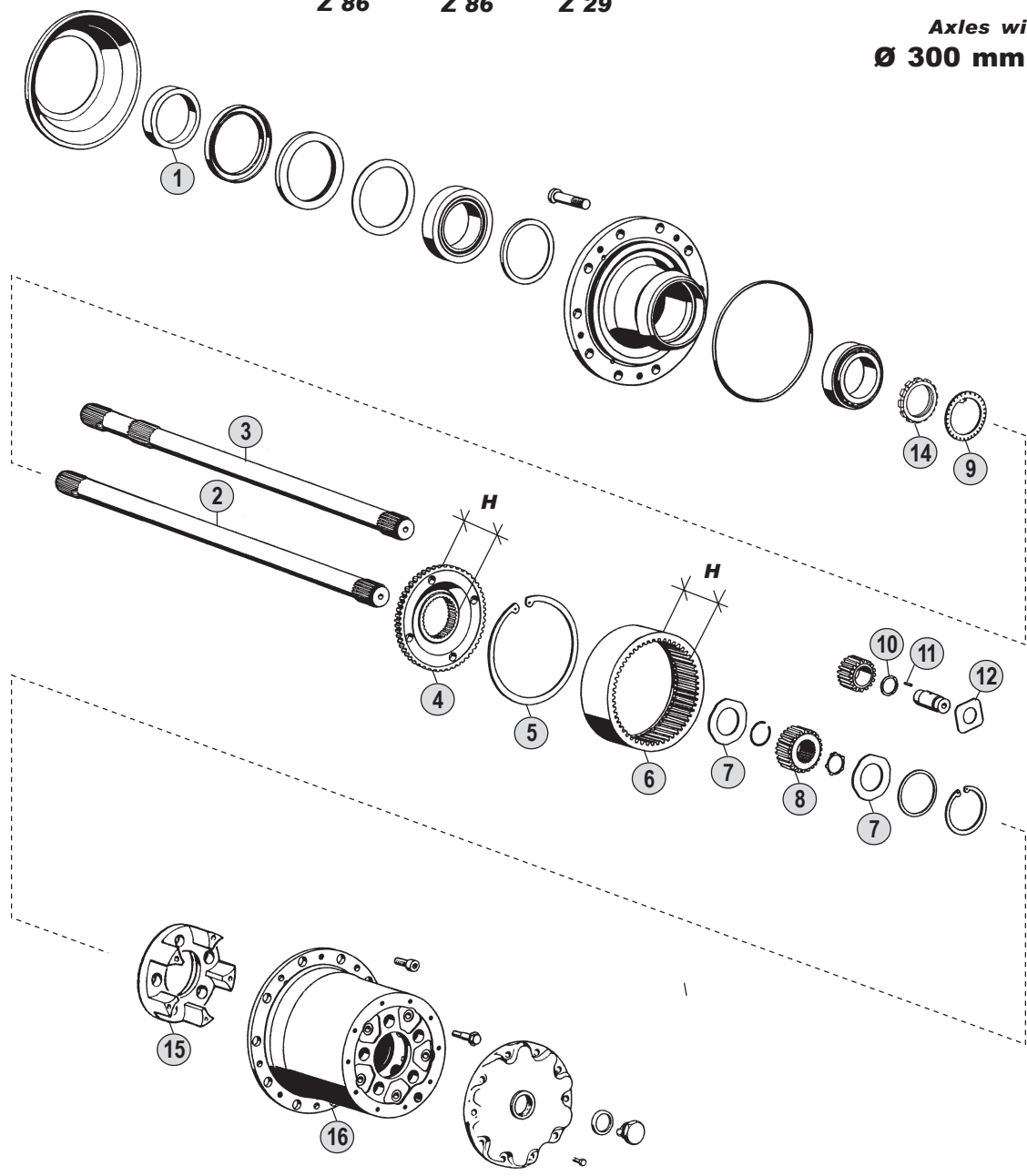
Hubs for Intermediate and Rear Axles
HD7-9 / H7-9 13120 - 16120

2nd Generation



HD7 + HL7

Axles with
Ø 300 mm CWP



All original equipment manufacturers' numbers, symbols, pictures, models and description used in this catalogue are for reference only, and it is not implied that any part listed is the product of these manufacturers. Tutti i nostri particolari non sono originali ma con essi intercambiabili. I riferimenti originali, le figure, i modelli sono esposti a semplice titolo indicativo. La nostra produzione riporta il nostro marchio.

Models

MB Axles Models HD7/09 - HD7/014 - HD7/016 (Intermediate)
 HL7/07 - HL7/010 - HL7/013 - HL7/015 - HL7/021 (Rear)

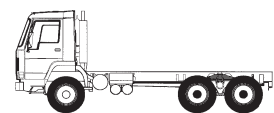
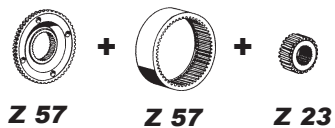
MB Axles Series From 740.500 To 740.550 (Intermediate)
 From 740.300 To 740.399 (Rear)



Adattabile a : **M.A.N.**
 Suitable To :

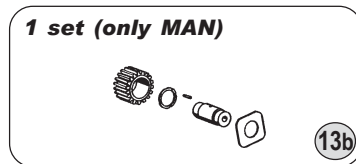
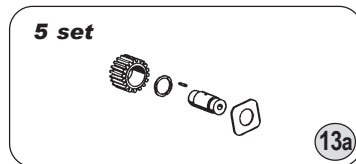
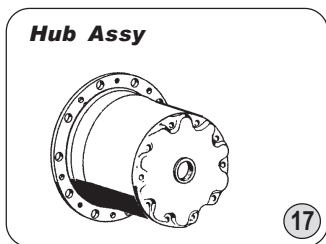
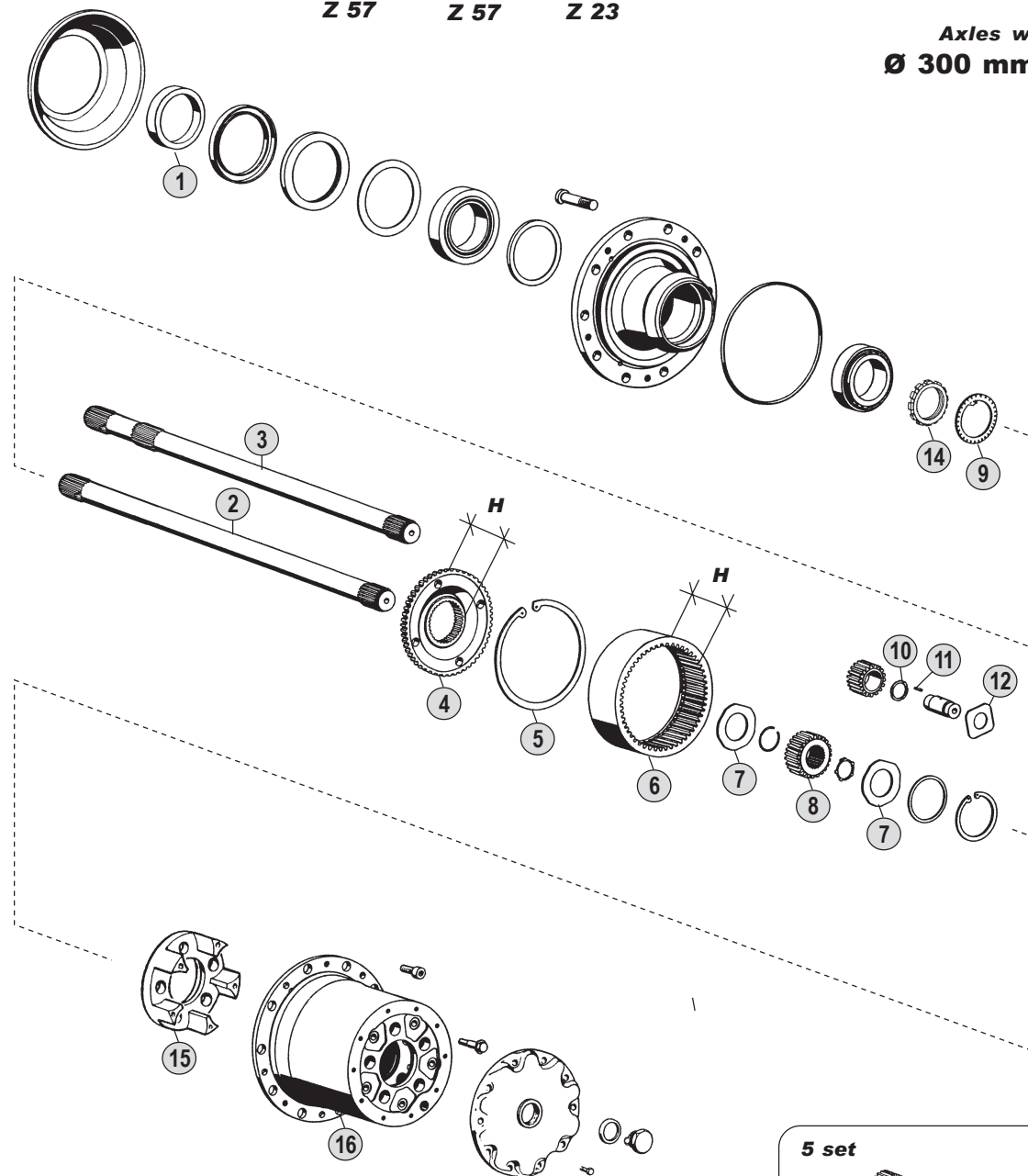
Hubs for Intermediate and Rear Axles
HD7-9 / H7-9 13120 - 16120

1st Generation



HD7 + HL7

Axles with
Ø 300 mm CWP



All original equipment manufacturers' numbers, symbols, and description used in this catalogue are for reference only, and it is not implied that any part listed is the product of these manufacturers. Tutti i nostri particolari non sono originali ma con essi intercambiabili. I riferimenti originali, le figure, i modelli sono esposti a semplice titolo indicativo. La nostra produzione riporta il nostro marchio.

Models

MB Axles Models HD7/09 - HD7/014 - HD7/016 (Intermediate)
 HL7/07 - HL7/010 - HL7/013 - HL7/015 - HL7/021 (Rear)

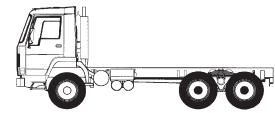
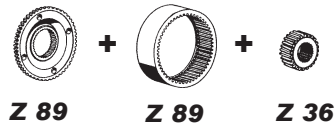
MB Axles Series From 740.500 To 740.550 (Intermediate)
 From 740.300 To 740.399 (Rear)



Adattabile a : **M.A.N.**
 Suitable To :

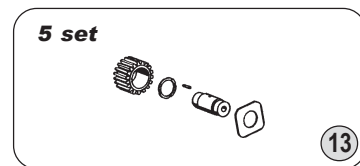
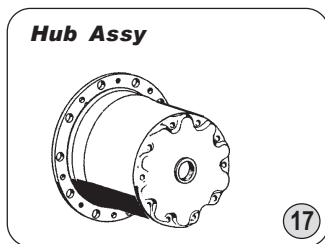
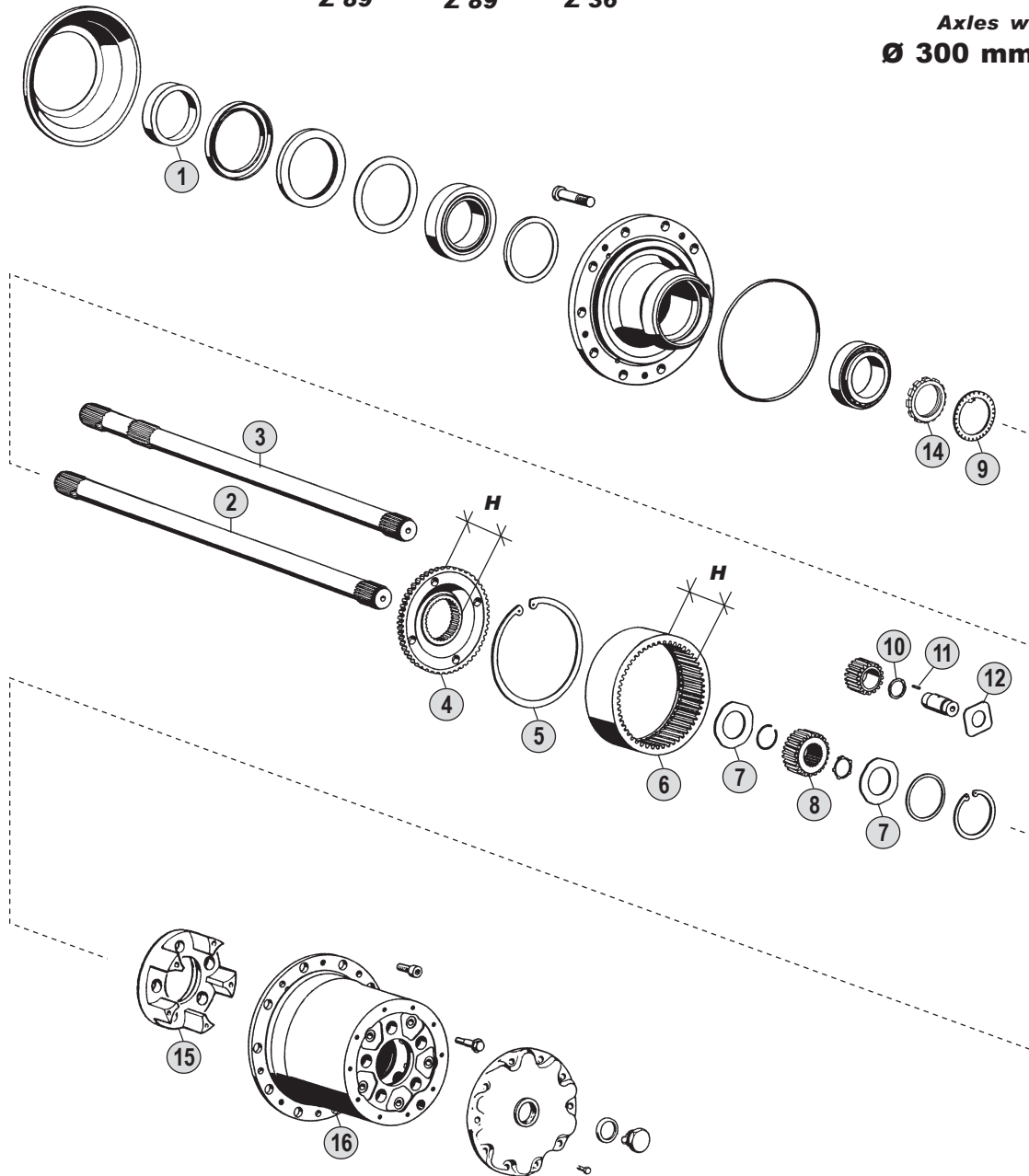
Hubs for Intermediate and Rear Axles
HD7-9 / H7-9 13120 - 16120

2nd Generation



HD7 + HL7

Axles with
Ø 300 mm CWP



All original equipment manufacturers' numbers, symbols and description used in this catalogue are for reference only, and it is not implied that any part listed is the product of these manufacturers. Tutti i nostri particolari non sono originali ma con essi intercambiabili. I riferimenti originali, le figure, i modelli sono esposti a semplice titolo indicativo. La nostra produzione riporta il nostro marchio.

Models

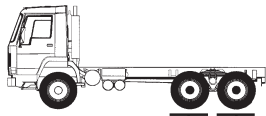
MB Axles Models HD7/09 - HD7/014 - HD7/016 (Intermediate)
 HL7/07 - HL7/010 - HL7/013 - HL7/015 - HL7/021 (Rear)

MB Axles Series From 740.500 To 740.550 (Intermediate)
 From 740.300 To 740.399 (Rear)

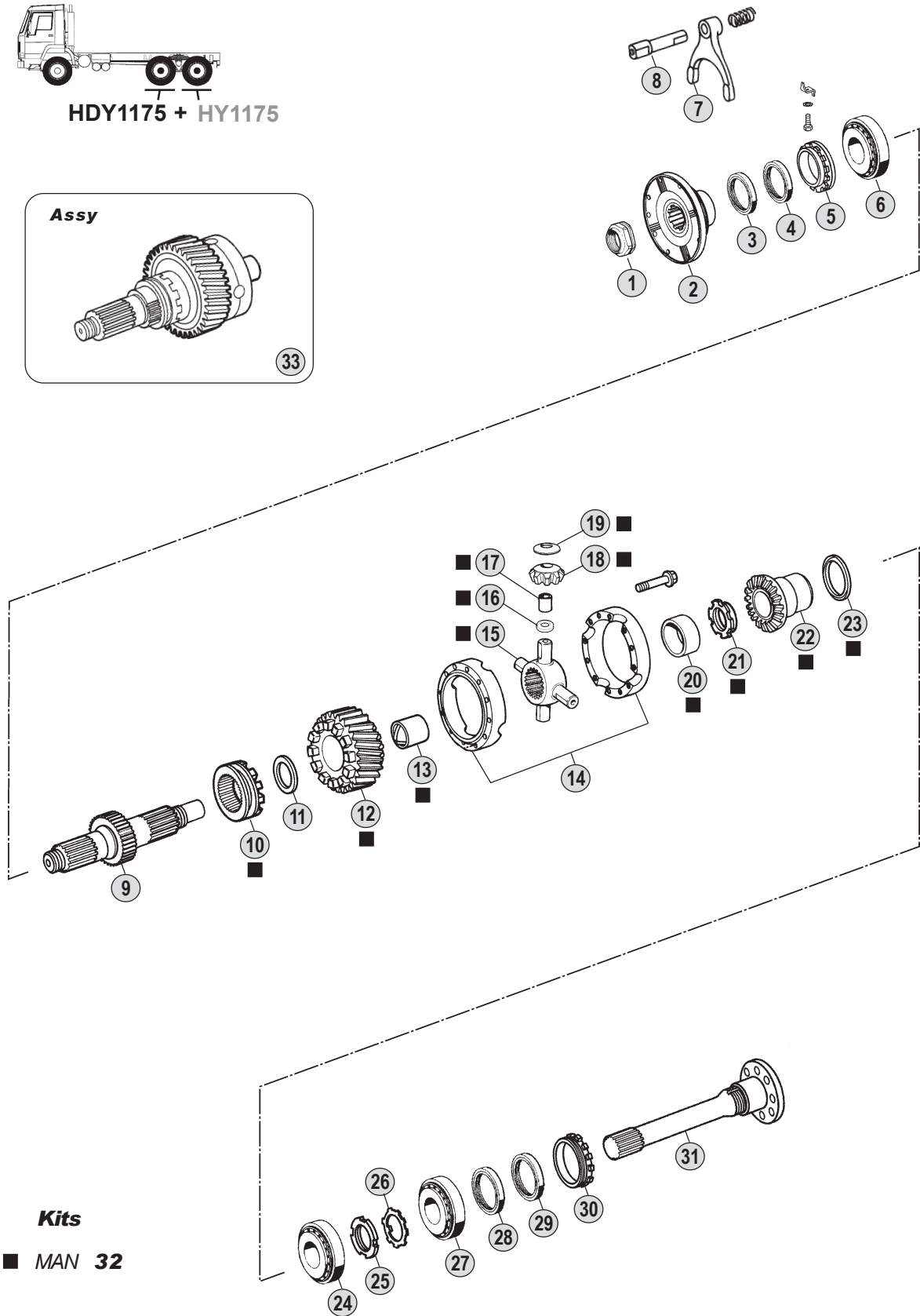
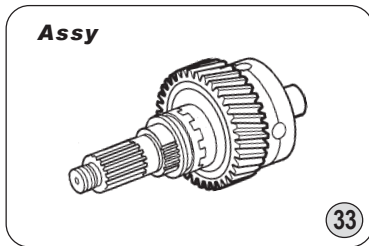


Adattabile a : **M.A.N.**
Suitable To :

Intermediate Axles
HDY 1175



HDY1175 + HY1175



Kits

■ MAN 32

Models

MAN Models 22 / 23 / 24 / 25 / 26 / 27 / 28 / 30 / 32 / 33 / 35 / 41 Ton

MAN Chassis Exx - Fxx - Txx



All original equipment manufacturers' numbers, symbols, models and description used in this catalogue are for reference only, and it is not implied that any part listed is the product of these manufactures. Tutti i nostri particolari non sono originali ma con essi intercambiabili. I riferimenti originali, le figure, i modelli sono esposti a semplice titolo indicativo. La nostra produzione riporta il nostro marchio.

Fig.	CEI no.	M.A.N. no.	MB no.	Description	Q.ty	Note
1	187.250	81 90685 0311	385 351 0672	Nut M 45x1.5	1	
2	155.213	81 39115 5067		Output flange	1	
3	139.563	06 56289 0353	017 997 7947	Oil seal 80x100x12	1	
4	139.564	06 56289 0349	017 997 2547	Oil seal 80x100x10	1	
5	187.615	81 35125 0005	355 353 0325	Grooved nut	1	
6	130.595	06 31420 4502	000625 920067	Bearing 60x130x31	1	
7	141.144	81 35614 0001	355 353 0234	Fork	1	
8	190.349	81 35619 0003	346 353 0535	Pin	1	
9	105.160	81 35611 0017	355 353 0935	Intermediate shaft	1	
10	154.160	81 35612 0012	355 353 0736	Sliding sleeve	1	Old - To 81 35610 0026
10	154.160	81 35612 0014	355 353 1236	Sliding sleeve	1	New - To 81 35610 0029
11	169.668	81 35204 0020	355 353 2062	Thrust washer Sp.3,65 mm (Bronze)	1	
11	169.669	81 35204 0019	355 353 1962	Thrust washer Sp.3,85 mm (Bronze)	1	
11	169.670	81 35204 0018	355 353 1862	Thrust washer Sp.4,00 mm (Bronze)	1	
11	169.821	81 35204 0029	355 353 2562	Thrust washer Sp.4,20 mm (Bronze)	1	
12	145.715	81 35610 0026		Gear 30 T	1	Old - To 81 35612 0012
12	145.716	81 35610 0029		Gear 30 T	1	New - To 81 35612 0014
13	117.277	81 93020 0678	355 353 0950	Bush 60x64x50 mm	1	
14	199.062	81 35100 6592	355 350 1827	Diff. housing empty w/screws	1	
15	133.128	81 35608 0024	653 353 0020	Spider	1	
16	169.822	81 91710 0442	653 353 0051	Spacer	4	
17	117.352	81 93021 0218	653 353 0050	Bush	4	
18	182.075	81 35609 0008	653 353 0014	Side pinion 10 T	4	
19	169.582	81 90701 0722	355 353 0176	Thrust washer	4	
20	117.278	81 93020 0679	355 353 1050	Bush 44x49x35	1	
21	187.616	81 90620 0088	355 353 0126	Grooved nut M 48x1,5	1	
22	122.072	81 35618 0003	355 353 0215	Side gear 16 T-22 Spl.	1	
23	169.671	81 35204 0034	355 353 2262	Thrust washer 102x2,35 mm (Bronze)	1	
23	169.672	81 35204 0036	355 353 2362	Thrust washer 102x2,60 mm (Bronze)	1	
24	130.596	06 31420 0602	003 981 4925	Bearing 70x125x24	1	
25	187.617	06 12114 0121	070852 055000	Grooved nut M 55x1,5	1	
26	169.825	06 16130 0121	070952 055102	Thrust washer	1	
27	130.597	06 31420 0302	002 981 8125	Bearing 55x100x21	1	
28	139.577	06 56279 0323	017 997 2747	Oil seal 68x90x10	1	
29	139.578	06 56279 0327	017 997 2647	Oil seal 68x90x10	1	
30	187.628	81 35125 0028		Adjusting ring	1	
31	170.135	81 35604 0020		Drive shaft with flange	1	
32	198.946	81 35107 6023		Diff.gear kit	1	
33	198.947	CEI 198947		Differential Shaft Kit assy	1	

Notes

Date

05 / 2004

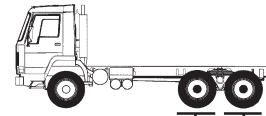
Table

009 / A

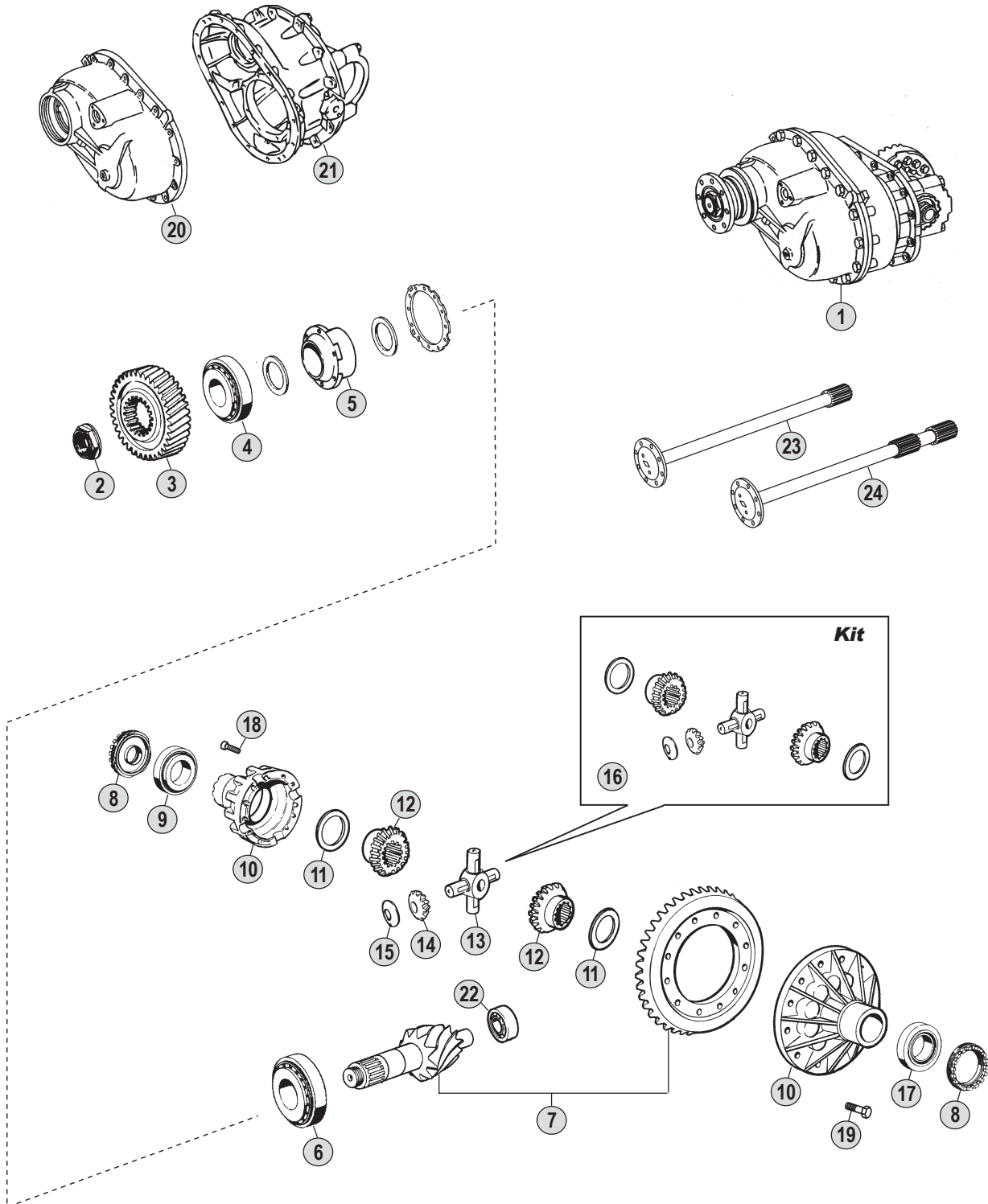
All original equipment manufacturers numbers, symbols, pictures, models and description used in this catalogue are for reference only, and it is not implied that any part listed is the product of these manufactures.
Tutti i nostri particolari non sono originali ma con essi intercambiabili. I riferimenti originali, le figure, i modelli sono esposti a semplice titolo indicativo. La nostra produzione riporta il nostro marchio.

Adattabile a : **M.A.N.**
Suitable To :

Intermediate Axles
HDY 1175



HDY1175 + HY1175



All original equipment manufacturers' numbers, symbols and description used in this catalogue are for reference only, and it is not implied that any part listed is the product of these manufacturers. Tutti i nostri particolari non sono originali ma con essi intercambiabili. I riferimenti originali, le figure, i modelli sono esposti a semplice titolo indicativo. La nostra produzione riporta il nostro marchio.

Models

MAN Models 22 / 23 / 24 / 25 / 26 / 27 / 28 / 30 / 32 / 33 / 35 / 41 Ton

MAN Chassis Exx - Fxx - Txx



Fig.	CEI no.	M.A.N. no.	MB no.	Description	Q.ty	Note
1		81 35600 6405		Inter.Axle 10x37 R.1:3,70	1	
1		81 35600 6406		Inter.Axle 9x37 R.1:4,11	1	
1		81 35600 6407		Inter.Axle 8x37 R.1:4,62	1	
1		81 35600 6408		Inter.Axle 7x37 R.1:5,28	1	
1		81 35600 6409		Inter.Axle 7x39 R.1:5,57	1	
1		81 35600 6410		Inter.Axle 7x41 R.1:5,86	1	
2	187.250	81 90685 0311	385 351 0672	Nut M 45x1.5	1	
3	146.531	81 35610 0025		Gear 30 T	1	
4	130.600	06 32499 0087		Bearing 60x130x33,5	1	
5	199.123	81 35601 0032		Bearings housing	1	
6	130.601	06 32489 0069		Bearing 70x165x57	1	
7	194.546	81 35199 6500		Crown & pinion 10x37 R.=1:3,70	1	(A)
7	194.547	81 35199 6499		Crown & pinion 9x37 R.=1:4,11	1	(A)
7	194.548	81 35199 6498		Crown & pinion 8x37 R.=1:4,62	1	(A)
7	194.549	81 35199 6497		Crown & pinion 7x37 R.=1:5,28	1	(B)
7	194.550	81 35199 6496		Crown & pinion 7x39 R.=1:5,57	1	(B)
7	194.551	81 35199 6495		Crown & pinion 7x41 R.=1:5,86	1	(B)
8	187.631	81 35125 0023		Adjusting ring	2	
9	130.602	06 32499 0188		Bearing	1	
10	199.125	81 35100 6486		Diff.Housing Empty	1	(A)
10	199.126	81 35100 6487		Diff.Housing Empty	1	(B)
11	169.842	81 35613 0041		Thrust washer	2	
12	122.109	81 35106 0040		Side gear	2	
13	133.130	81 35608 0020		Spider	1	
14	182.081	81 35108 0067		Diff.pinion 10 T	4	
15	169.843	81 90701 0960		Thrust washer	4	
16	198.948	81 35107 6019		Differential gear kit	1	
17	130.603	06 32489 0071		Bearing 105x160x35	1	
18	187.632	06 01494 4419		Screw M 14x1,5	12	
19	187.633	06 02813 5012		Screw M 16x1,5	16	
20	199.127	81 35602 0019		Cover	1	
21	199.128	81 35301 6078		Differential support	1	
22	130.604	06 32609 0064		Bearing	1	
23	170.136	81 35502 0136		Drive shaft w/out lock	1	
24	170.137	81 35502 0137		Drive shaft with lock	1	

Notes

(A-B) Respect the coupling as the assembling wheelbase between the CWP and the differential housing changes.

Date

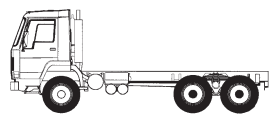
05 / 2004

Table

009 / B

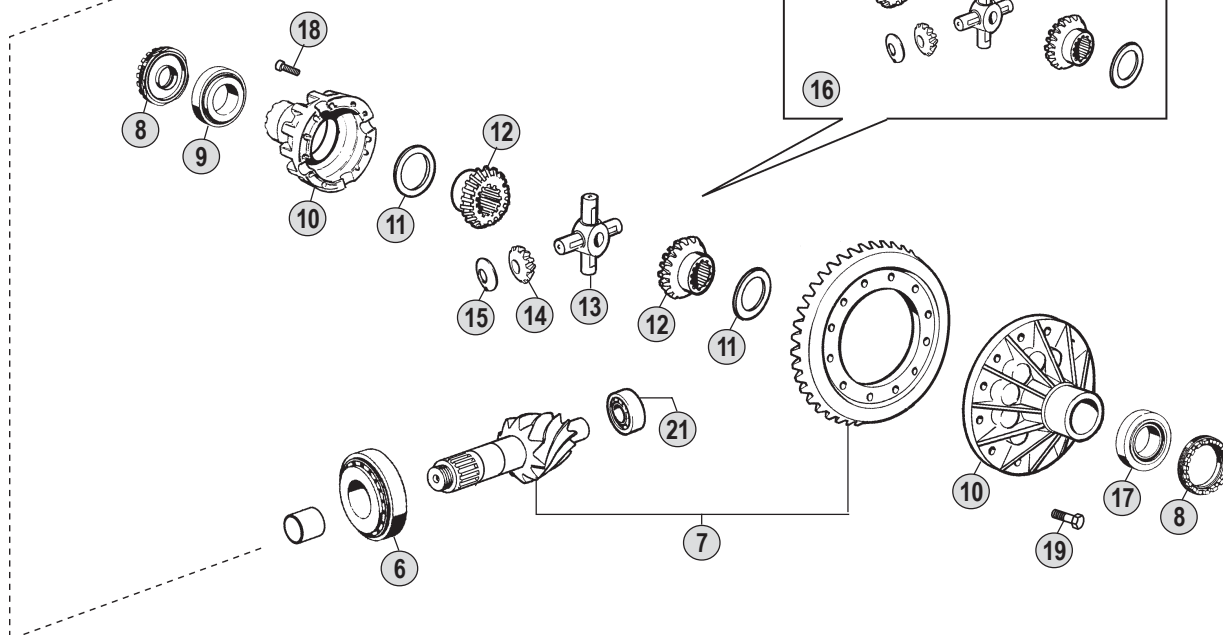
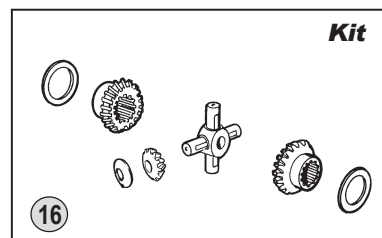
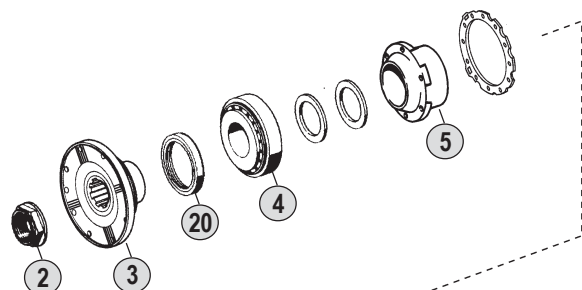
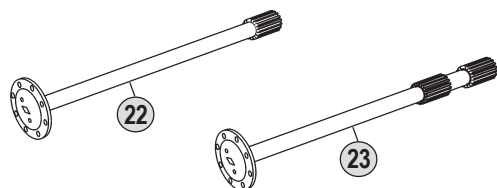
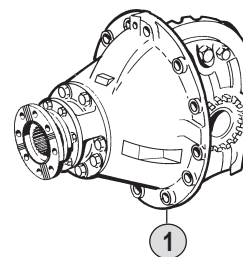
All original equipment manufacturers numbers, symbols, pictures, models and description used in this catalogue are for reference only, and it is not implied that any part listed is the product of these manufactures.
Tutti i nostri particolari non sono originali ma con essi intercambiabili. I riferimenti originali, le figure, i modelli sono esposti a semplice titolo indicativo. La nostra produzione riporta il nostro marchio.

Adattabile a : **M.A.N.**
Suitable To :



HDY1175 + HY1175

Differential Assy



All original equipment manufacturers' numbers, symbols and description used in this catalogue are for reference only, and it is not implied that any part listed is the product of these manufacturers. Tutti i nostri particolari non sono originali ma con essi intercambiabili. I riferimenti originali, le figure, i modelli sono esposti a semplice titolo indicativo. La nostra produzione riporta il nostro marchio.

Models

MAN Models 22 / 23 / 24 / 25 / 26 / 27 / 28 / 30 / 32 / 33 / 35 / 41 Ton

MAN Chassis Exx - Fxx - Txx



Fig.	CEI no.	M.A.N. no.	MB no.	Description	Q.ty	Note
1		81 35002 7083		Rear Axle 10:37 R.1:3,70	1	
1		81 35002 7084		Rear Axle 9:37 R.1:4,11	1	
1		81 35002 7085		Rear Axle 8:37 R.1:4,62	1	
1		81 35002 7086		Rear Axle 7:37 R.1:5,28	1	
1		81 35002 7087		Rear Axle 7:39 R.1:5,57	1	
1		81 35002 7088		Rear Axle 7:41 R.1:5,86	1	
2	187.250	81 90685 0311	385 351 0672	Nut M 45x1.5	1	
3		81 39115 5071		Output Flange	1	
4	130.600	06 32499 0087		Bearing 60x130x33,5	1	
5		81 35601 0030		Bearings housing	1	
6	130.601	06 32489 0069		Bearing 70x165x57	1	
7	194.552	81 35199 6573		Crown & pinion 10x37 R.=1:3,70	1	(A)
7	194.553	81 35199 6572		Crown & pinion 9x37 R.=1:4,11	1	(A)
7	194.554	81 35199 6489		Crown & pinion 8x37 R.=1:4,62	1	(A)
7	194.555	81 35199 6570		Crown & pinion 7x37 R.=1:5,28	1	(B)
7	194.556	81 35199 6487		Crown & pinion 7x39 R.=1:5,57	1	(B)
7	194.557	81 35199 6486		Crown & pinion 7x41 R.=1:5,86	1	(B)
8	187.631	81 35125 0023		Adjusting ring	2	
9	130.602	06 32499 0188		Bearing	1	
10	199.125	81 35100 6486		Diff.Housing Empty	1	(A)
10	199.126	81 35100 6487		Diff.Housing Empty	1	(B)
11	169.842	81 35613 0041		Thrust washer	2	
12	122.109	81 35106 0040		Side gear	2	
13	133.130	81 35608 0020		Spider	1	
14	182.081	81 35108 0067		Diff.pinion 10 T	4	
15	169.843	81 90701 0960		Thrust washer	4	
16	198.948	81 35107 6019		Differential gear kit	1	
17	130.603	06 32489 0071		Bearing 105x160x35	1	
18	187.632	06 01494 4419		Screw M 14x1,5	12	
19	187.633	06 02813 5012		Screw M 16x1,5	16	
20		06 56289 0293		Oil seal 80x154x18/19	1	
21	130.604	06 32609 0064		Bearing	1	
22	170.136	81 35502 0136		Drive shaft w/out lock	1	
23	170.137	81 35502 0137		Drive shaft with lock	1	

Notes

(A-B) Respect the coupling as the assembling wheelbase between the CWP and the differential housing changes.

Date

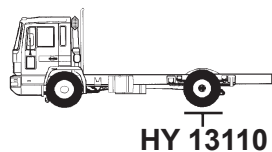
05 / 2004

Table

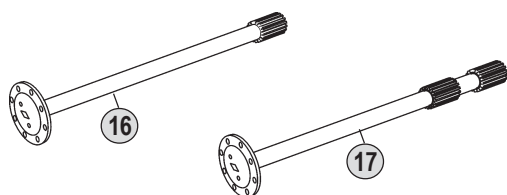
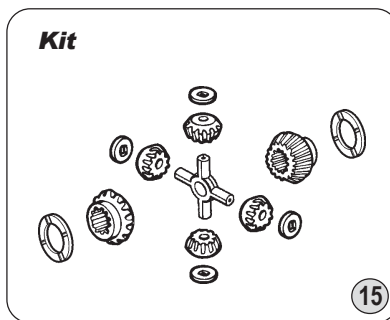
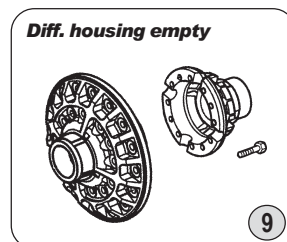
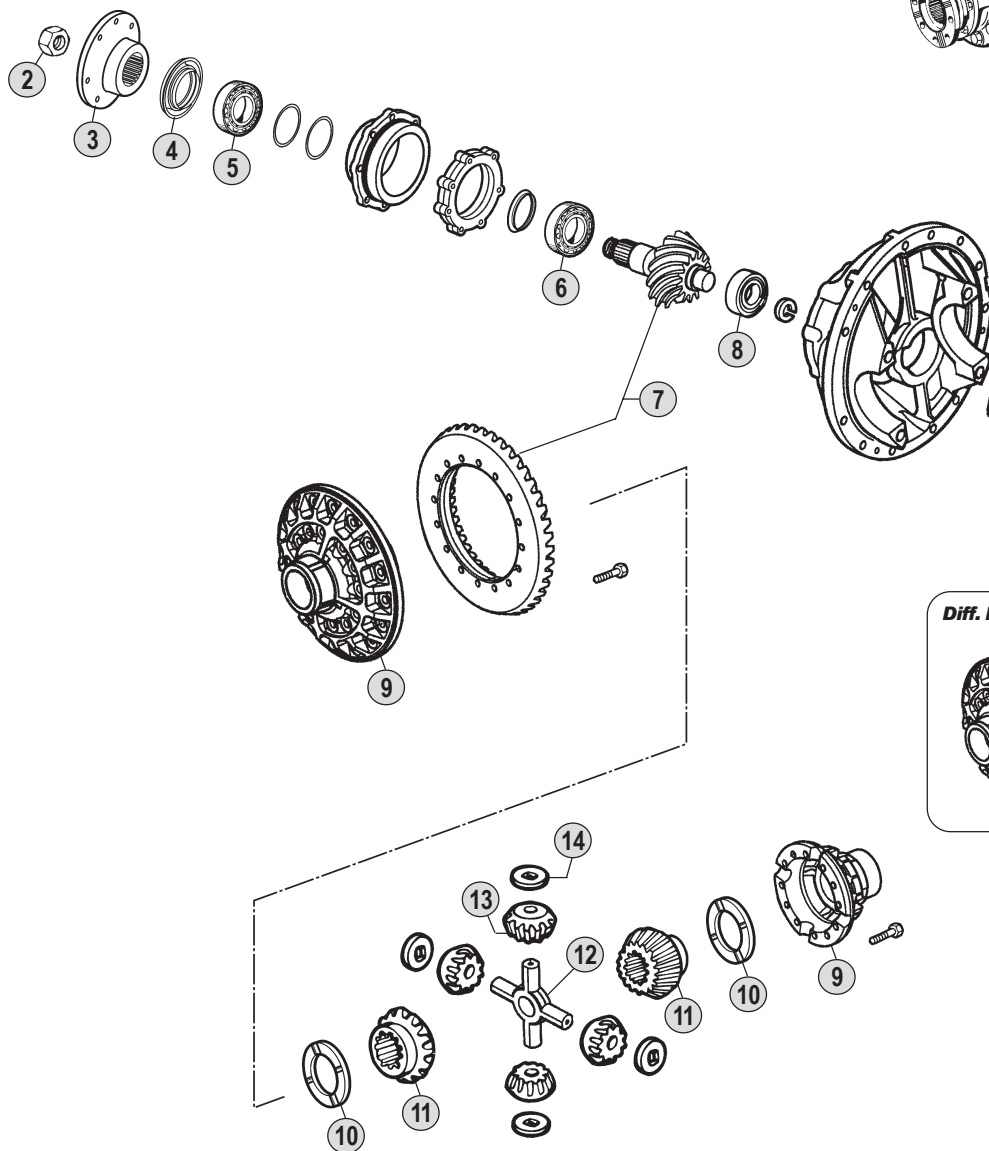
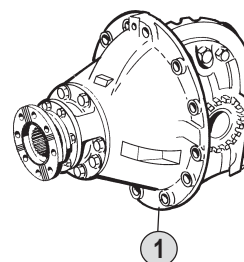
010

All original equipment manufacturers numbers, symbols, pictures, models and description used in this catalogue are for reference only, and it is not implied that any part listed is the product of these manufactures.
Tutti i nostri particolari non sono originali ma con essi intercambiabili. I riferimenti originali, le figure, i modelli sono esposti a semplice titolo indicativo. La nostra produzione riporta il nostro marchio.

Adattabile a : **M.A.N.**
Suitable To :



Differential Assy



All original equipment manufacturers' numbers, symbols, pictures, models and description used in this catalogue are for reference only, and it is not implied that any part listed is the product of these manufacturers. Tutti i nostri particolari non sono originali ma con essi intercambiabili. I riferimenti originali, le figure, i modelli sono esposti a semplice titolo indicativo. La nostra produzione riporta il nostro marchio.

Models

MAN Models 16 / 17 / 18 / 19 / 22 / 23 / 24 / 25 / 26 / 27 / 28 / 30 / 33 Ton

MAN Chassis Exx - Fxx - Lxx - Mxx - Txx - Uxx



M.A.N. Index

MAN no.	CEI no.	MB no.	Tav. Fig.	MAN no.	CEI no.	MB no.	Tav. Fig.
06 01494 4419	187.632		009B 18	06 32499 0071	130.320	003 981 9005	002 5
06 01494 4419	187.632		010 18	06 32499 0073	See	06 32819 0033	
06 01734 4321	187.624	308676 012022	005A 44	06 32499 0082	130.598	003 981 3105	005B 5
06 02202 0212	See	06 02202 4212		06 32499 0082	130.598	003 981 3105	006 7
06 02202 4212	187.634	942 990 1004	001A 44	06 32499 0087	130.600		009B 4
06 02813 5012	187.633		009B 19	06 32499 0087	130.600		010 4
06 02813 5012	187.633		010 19	06 32499 0088	130.324	002 981 4505	006 5
06 02814 3012	See	06 02813 5012		06 32499 0088	130.324	002 981 4505	011 5
06 02815 9012	See	06 02813 5012		06 32499 0093	130.317	003 981 7805	001B 4
06 02819 0002	187.629	383 990 0701	001B 38	06 32499 0095	130.318	003 981 7005	001B 5
06 02819 0002	187.629	383 990 0701	002 40	06 32499 0095	130.318	003 981 7005	002 7
06 12114 0121	187.617	070852 055000	001A 32	06 32499 0095	130.318	003 981 7005	005B 4
06 12114 0121	187.617	070852 055000	009A 25	06 32499 0108	130.319	003 981 4105	001B 32
06 12114 0122	187.622	674 356 0226	005A 32	06 32499 0108	130.319	003 981 4105	002 10
06 16130 0121	169.825	070952 055102	001A 33	06 32499 0116	See	06 32819 0033	
06 16130 0121	169.825	070952 055102	009A 26	06 32499 0126	See	06 32499 0188	
06 16130 0122	169.829	070952 060102	005A 33	06 32499 0131	130.599	003 981 3205	005B 31
06 31420 0302	130.597	002 981 8125	001A 34	06 32499 0131	130.599	003 981 3205	006 11
06 31420 0302	130.597	002 981 8125	009A 27	06 32499 0132	130.325		011 6
06 31420 0402	130.323	005 981 5925	005A 34	06 32499 0183	See	06 32499 0188	
06 31420 0602	130.596	003 981 4925	001A 31	06 32499 0188	130.602		009B 9
06 31420 0602	130.596	003 981 4925	009A 24	06 32499 0188	130.602		010 9
06 31420 4502	130.595	000625 920067	001A 7	06 32499 0189	See	06 32499 0131	
06 31420 4502	130.595	000625 920067	009A 6	06 32589 0052	130.326		011 8
06 31421 0803	130.322	000000 000759	005A 31	06 32609 0060	See	06 32499 0132	
06 31421 4603	130.321	000625 920066	005A 7	06 32609 0064	130.604		009B 22
06 31429 0113	See	06 31420 4502		06 32609 0064	130.604		010 21
06 32489 0068	See	06 32489 0069		06 32609 0065	See	06 32609 0064	
06 32489 0069	130.601		009B 6	06 36499 0128	See	06 32499 0132	
06 32489 0069	130.601		010 6	06 56279 0028	See	06 56279 0312	
06 32489 0070	See	06 32489 0071		06 56279 0184	See	06 56279 0327	
06 32489 0071	130.603		009B 17	06 56279 0185	See	06 56279 0327	
06 32489 0071	130.603		010 17	06 56279 0209	See	06 56279 0323	
06 32489 0116	See	06 32489 0071		06 56279 0210	See	06 56279 0323	
06 32499 0019	See	06 32819 0033		06 56279 0312	See	06 56279 0312	
06 32499 0020	See	06 32499 0082		06 56279 0323	139.577	017 997 2747	001A 35
06 32499 0022	See	06 32819 0033		06 56279 0323	139.577	017 997 2747	009A 28
06 32499 0027	See	06 32499 0087		06 56279 0327	139.578	017 997 2647	001A 36
06 32499 0033	See	06 32819 0033		06 56279 0327	139.578	017 997 2647	009A 29
06 32499 0035	See	06 32819 0033		06 56279 0331	139.587	017 997 3147	005A 35
06 32499 0039	See	06 32819 0033		06 56279 0335	139.588	017 997 3047	005A 36
06 32499 0040	See	06 32499 0131		06 56279 0362	139.584	020 997 0647	002 4
06 32499 0041	See	06 32819 0033		06 56289 0022	See	06 56289 0353	

Date

05 / 2004

Table

Index

MAN no.	CEI no.	MB no.	Tav. Fig.	MAN no.	CEI no.	MB no.	Tav. Fig.
06 56289 0166	See	06 56289 0353		81 35002 7093	See	81 35002 7084	
06 56289 0190	See	06 56289 0349		81 35002 7094	See	81 35002 7085	
06 56289 0191	See	06 56289 0349		81 35002 7095	See	81 35002 7086	
06 56289 0255	See	06 56289 0266		81 35002 7096	See	81 35002 7087	
06 56289 0266	139.590		011 4	81 35002 7097	See	81 35002 7088	
06 56289 0279	See	06 56289 0293		81 35002 7163	See	81 35002 7083	
06 56289 0280	See	06 56289 0293		81 35002 7164	See	81 35002 7084	
06 56289 0290	See	06 56289 0266		81 35002 7165	See	81 35002 7085	
06 56289 0293			010 20	81 35002 7166	See	81 35002 7086	
06 56289 0349	139.564	017 997 2547	001A 5	81 35002 7167	See	81 35002 7087	
06 56289 0349	139.564	017 997 2547	009A 4	81 35002 7168	See	81 35002 7088	
06 56289 0353	139.563	017 997 7947	001A 4	81 35010 6001		346 350 9903	006 1
06 56289 0353	139.563	017 997 7947	009A 3	81 35010 6004		346 350 7220	006 1
06 56289 0357	139.586	017 997 2947	005A 5	81 35010 6007		346 350 7120	006 1
06 56289 0361	139.585	017 997 2847	005A 4	81 35010 6010		346 350 9803	006 1
81 35000 6619	See	81 35100 6436		81 35010 6041		346 350 7020	006 1
81 35000 6836	See	81 35100 6436		81 35010 6060		393 350 7720	006 1
81 35000 6843		387 350 2720	002 1	81 35010 6063		397 350 0120	006 1
81 35000 6846		387 350 2820	002 1	81 35010 6090	See	81 35001 7963	
81 35000 6847		387 350 2520	002 1	81 35010 6091	See	81 35001 7964	
81 35000 6875		387 350 2620	002 1	81 35010 6092	See	81 35001 7965	
81 35000 6876		387 350 3020	002 1	81 35010 6093	See	81 35001 7966	
81 35000 6982	See	81 35100 6435		81 35010 6094	See	81 35001 7967	
81 35000 6983	See	81 35100 6435		81 35010 6095	See	81 35001 7968	
81 35001 7963			011 1	81 35100 6085	See	81 35100 6085	
81 35001 7964			011 1	81 35100 6087	See	81 35100 6087	
81 35001 7965			011 1	81 35100 6088	See	81 35105 6030	
81 35001 7966			011 1	81 35100 6266	198.532	387 350 9823	001A 39
81 35001 7967			011 1	81 35100 6276	199.105	CEI 199105	005B 29
81 35001 7968			011 1	81 35100 6327	199.046	346 350 8123	005B 29
81 35001 7969	See	81 35001 7963		81 35100 6327	199.046	346 350 8123	006 9
81 35001 7970	See	81 35001 7964		81 35100 6329	See	81 45100 6329	
81 35001 7971	See	81 35001 7965		81 35100 6336	199.106	346 350 8223	006 9
81 35001 7972	See	81 35001 7966		81 35100 6345	198.618	343 350 1023	005A 39
81 35001 7973	See	81 35001 7967		81 35100 6360	199.113	CEI 199113	006 9
81 35001 7974	See	81 35001 7968		81 35100 6361	199.048	346 350 0427	005B 29
81 35002 7083			010 1	81 35100 6361	199.048	346 350 0427	006 9
81 35002 7084			010 1	81 35100 6410	See	81 35010 6063	
81 35002 7085			010 1	81 35100 6411	See	81 35010 6063	
81 35002 7086			010 1	81 35100 6412	See	81 35010 6041	
81 35002 7087			010 1	81 35100 6413	See	81 35010 6041	
81 35002 7088			010 1	81 35100 6414	See	81 35010 6001	
81 35002 7092	See	81 35002 7083		81 35100 6415	See	81 35010 6001	

All original equipment manufacturers numbers, symbols, pictures, models and description used in this catalogue are for reference only, and it is not implied that any part listed is the product of these manufactures.
Tutti i nostri particolari non sono originali ma con essi intercambiabili. I riferimenti originali, le figure, i modelli sono esposti a semplice titolo indicativo. La nostra produzione riporta il nostro marchio.

M.A.N. Index

MAN no.	CEI no.	MB no.	Tav. Fig.	MAN no.	CEI no.	MB no.	Tav. Fig.
81 35100 6416	See	81 35010 6004		81 35106 0027	122.005	346 353 0315	006 24
81 35100 6417	See	81 35010 6004		81 35106 0028	122.064	355 353 0315	001B 8
81 35100 6418	See	81 35010 6007		81 35106 0028	122.064	355 353 0315	001B 14
81 35100 6419	See	81 35010 6007		81 35106 0028	122.064	355 353 0315	002 17
81 35100 6420	See	81 35010 6010		81 35106 0028	122.064	355 353 0315	002 25
81 35100 6421	See	81 35010 6010		81 35106 0036	122.076	346 353 0815	005B 8
81 35100 6422	See	81 35010 6060		81 35106 0036	122.076	346 353 0815	005B 26
81 35100 6435		387 350 9920	002 1	81 35106 0036	122.076	346 353 0815	006 16
81 35100 6436		387 350 3120	002 1	81 35106 0036	122.076	346 353 0815	006 32
81 35100 6438	See	81 35000 6843		81 35106 0037	122.098		011 11
81 35100 6440	See	81 35000 6875		81 35106 0038	122.103	355 353 0815	001B 14
81 35100 6441	See	81 35000 6875		81 35106 0038	122.103	355 353 0815	002 25
81 35100 6442	See	81 35000 6876		81 35106 0040	122.109		009B 12
81 35100 6443	See	81 35000 6876		81 35106 0040	122.109		010 12
81 35100 6444	See	81 35000 6846		81 35106 0042	122.104	355 353 0615	001B 22
81 35100 6445	See	81 35000 6847		81 35106 0042	122.104	355 353 0615	002 34
81 35100 6451	See	81 35000 6843		81 35107 0020	133.127	308 353 0020	001B 7
81 35100 6454	See	81 35010 6063		81 35107 0020	133.127	308 353 0020	002 14
81 35100 6455	See	81 35010 6041		81 35107 0024	133.013	346 353 0420	005B 13
81 35100 6456	See	81 35010 6001		81 35107 0024	133.013	346 353 0420	005B 21
81 35100 6457	See	81 35010 6004		81 35107 0024	133.013	346 353 0420	006 19
81 35100 6458	See	81 35010 6007		81 35107 0024	133.013	346 353 0420	006 27
81 35100 6459	See	81 35010 6010		81 35107 0026	See	81 35608 0020	
81 35100 6484	199.114		011 9	81 35107 6001	198.859	CEI 198859	001B 12
81 35100 6485	199.115		011 9	81 35107 6001	198.859	CEI 198859	002 19
81 35100 6486	199.125		009B 10	81 35107 6003	See	81 35107 6021	
81 35100 6486	199.125		010 10	81 35107 6004	See	81 35107 6008	
81 35100 6487	199.126		009B 10	81 35107 6007	See	81 35107 6008	
81 35100 6487	199.126		010 10	81 35107 6008	198.915	CEI 198915	005B 12
81 35100 6588	See	81 35100 6087		81 35107 6008	198.915	CEI 198915	006 18
81 35100 6592	199.062	355 350 1827	001A 13	81 35107 6014	133.024	346 350 0228	005B 7
81 35100 6592	199.062	355 350 1827	009A 14	81 35107 6014	133.024	346 350 0228	006 13
81 35100 6600	See	81 35100 6484		81 35107 6018	See	81 35107 6023	
81 35100 6601	See	81 35100 6485		81 35107 6019	198.948		009B 16
81 35100 6602	See	81 35100 6486		81 35107 6019	198.948		010 16
81 35100 6603	See	81 35100 6487		81 35107 6020	198.799		011 15
81 35105 6030	199.054	355 350 0227	001B 30	81 35107 6021	198.908		001A 41
81 35105 6030	199.054	355 350 0227	002 9	81 35107 6022	198.912	CEI 198912	005A 41
81 35105 6035	See	81 35105 6030		81 35107 6023	198.946		009A 32
81 35105 6044	See	81 35105 6030		81 35108 0042	See	81 35108 0044	
81 35106 0027	122.005	346 353 0315	005B 8	81 35108 0044	182.003	366 353 0414	005B 10
81 35106 0027	122.005	346 353 0315	005B 18	81 35108 0044	182.003	366 353 0414	006 14
81 35106 0027	122.005	346 353 0315	006 16	81 35108 0048	182.047	355 353 0214	001A 15

Date

05 / 2004

Table

Index

MAN no.	CEI no.	MB no.	Tav. Fig.	MAN no.	CEI no.	MB no.	Tav. Fig.
81 35108 0049	182.051	494 335 0214	001B 10	81 35125 0004	187.619	355 350 0343	002 11
81 35108 0049	182.051	494 335 0214	001B 18	81 35125 0005	187.615	355 353 0325	001A 6
81 35108 0049	182.051	494 335 0214	002 15	81 35125 0005	187.615	355 353 0325	009A 5
81 35108 0049	182.051	494 335 0214	002 23	81 35125 0006	187.620	371 353 0025	001B 33
81 35108 0053	182.027	346 353 0614	005B 16	81 35125 0006	187.620	371 353 0025	002 12
81 35108 0053	182.027	346 353 0614	006 22	81 35125 0007	187.618	355 353 0225	001A 37
81 35108 0059	182.080	CEI 182080	005B 10	81 35125 0023	187.631		009B 8
81 35108 0059	182.080	CEI 182080	006 14	81 35125 0023	187.631		010 8
81 35108 0061	182.076	355 353 0614	001B 18	81 35125 0028	187.628		009A 30
81 35108 0061	182.076	355 353 0614	002 23	81 35125 6001	See	81 35125 6010	
81 35108 0062	See	81 35108 0062		81 35125 6002	See	81 35125 0004	
81 35108 0064	See	81 35108 0067		81 35125 6010	187.514	346 350 0443	005B 30
81 35108 0066	182.070		011 13	81 35125 6010	187.514	346 350 0443	006 10
81 35108 0067	182.081		009B 14	81 35199 6232	See	81 35199 6314	
81 35108 0067	182.081		010 14	81 35199 6234	See	81 35199 6315	
81 35108 0085	182.056	346 353 1014	005B 24	81 35199 6236	See	81 35199 6316	
81 35108 0085	182.056	346 353 1014	006 30	81 35199 6238	See	81 35199 6317	
81 35111 0009	123.235	355 354 0312	003A 6	81 35199 6280	See	81 35199 6301	
81 35111 0010	123.241	355 354 0412	004A 6	81 35199 6298	See	81 35199 6298	
81 35111 0011	123.132	346 354 0412	004A 6	81 35199 6299	194.126	346 350 1739	006 8
81 35111 0011	123.132	346 354 0412	008A 6	81 35199 6300	194.287	346 350 1839	006 8
81 35112 6002	198.918	CEI 198918	003A 13B	81 35199 6301	See	81 35199 6301	
81 35112 6003	198.927	CEI 198927	004A 13B	81 35199 6302	See	81 35199 6362	
81 35112 6006	198.257	346 586 0135	008A 13B	81 35199 6303	See	81 35199 6363	
81 35113 0017	157.647	355 354 0317	003A 8	81 35199 6304	194.290	371 350 0139	002 8
81 35113 0018	157.650	355 354 0417	004A 8	81 35199 6305	See	81 35199 6305	
81 35113 0019	157.050	346 354 0417	008A 8	81 35199 6307	See	81 35199 6307	
81 35113 0027	157.653	346 354 0517	007A 8	81 35199 6308	194.646	355 350 3539	002 8
81 35114 0019	150.148	355 354 0709	003A 4	81 35199 6309	See	81 35199 6317	
81 35114 0019	150.148	355 354 0709	007A 4	81 35199 6310	See	81 35199 6315	
81 35114 0020	150.095	346 354 0909	004A 4	81 35199 6311	See	81 35199 6316	
81 35114 0020	150.095	346 354 0909	008A 4	81 35199 6312	See	81 35199 6312	
81 35114 0034	150.043	346 354 1109	004A 4	81 35199 6313	194.644	355 350 4239	001B 6
81 35114 0034	150.043	346 354 1109	008A 4	81 35199 6314	194.400	355 350 4339	001B 6
81 35114 6038	198.581	346 350 1533	003A 16	81 35199 6315	194.334	355 350 3939	001B 6
81 35114 6038	198.581	346 350 1533	004A 16	81 35199 6316	194.333	355 350 4039	001B 6
81 35114 6038	198.581	346 350 1533	007A 16	81 35199 6317	194.291	944 350 0739	001B 6
81 35114 6038	198.581	346 350 1533	008A 16	81 35199 6318	194.605	355 350 4839	001B 6
81 35114 6075	175.178	355 350 2533	003A 16	81 35199 6325	194.286	346 350 6139	005B 6
81 35114 6075	175.178	355 350 2533	004A 16	81 35199 6326	194.335	346 350 2639	005B 6
81 35125 0003	187.515	652 353 0025	005B 32	81 35199 6327	194.336	346 350 2739	005B 6
81 35125 0003	187.515	652 353 0025	006 12	81 35199 6329	See	81 35199 6305	
81 35125 0004	187.619	355 350 0343	001B 31	81 35199 6330	See	81 35199 6304	

All original equipment manufacturers numbers, symbols, pictures, models and description used in this catalogue are for reference only, and it is not implied that any part listed is the product of these manufactures.
Tutti i nostri particolari non sono originali ma con essi intercambiabili. I riferimenti originali, le figure, i modelli sono esposti a semplice titolo indicativo. La nostra produzione riporta il nostro marchio.

M.A.N. Index

MAN no.	CEI no.	MB no.	Tav. Fig.	MAN no.	CEI no.	MB no.	Tav. Fig.
81 35199 6331	See	81 35199 6363		81 35199 6532	See	81 35199 6379	
81 35199 6332	See	81 35199 6362		81 35199 6552	194.182	346 350 1939	006 8
81 35199 6333	See	81 35199 6301		81 35199 6553	<i>194.601</i>	346 350 2939	005B 6
81 35199 6343	See	81 35199 6313		81 35199 6555	<i>194.292</i>	355 350 4739	002 8
81 35199 6344	See	81 35199 6314		81 35199 6556	<i>194.295</i>	355 350 4639	002 8
81 35199 6347	194.288	346 350 3139	005B 6	81 35199 6558	<i>194.651</i>	357 350 0739	002 8
81 35199 6350	<i>194.647</i>	357 350 0339	002 8	81 35199 6559	See	81 35199 6588	
81 35199 6356	See	81 35199 6312		81 35199 6560	194.418	357 350 0639	002 8
81 35199 6362	See	81 35199 6362		81 35199 6564	<i>194.356</i>	355 350 3439	002 8
81 35199 6363	See	81 35199 6363		81 35199 6566	<i>194.420</i>	346 350 8139	005B 6
81 35199 6366	See	81 35199 6588		81 35199 6568	See	81 35199 6486	
81 35199 6372	See	81 35199 6375		81 35199 6569	See	81 35199 6487	
81 35199 6375	<i>194.645</i>	355 350 4939	001B 6	81 35199 6570	<i>194.555</i>		010 7
81 35199 6377	See	81 35199 6298		81 35199 6571	See	81 35199 6489	
81 35199 6378	See	81 35199 6380		81 35199 6572	<i>194.553</i>		010 7
81 35199 6379	See	81 35199 6379		81 35199 6573	<i>194.552</i>		010 7
81 35199 6380	See	81 35199 6380		81 35199 6577	See	81 35199 6495	
81 35199 6388	See	81 35199 6304		81 35199 6578	See	81 35199 6496	
81 35199 6389	See	81 35199 6305		81 35199 6579	See	81 35199 6497	
81 35199 6391	See	81 35199 6299		81 35199 6580	See	81 35199 6498	
81 35199 6392	See	81 35199 6312		81 35199 6581	See	81 35199 6499	
81 35199 6397	See	81 35199 6300		81 35199 6582	See	81 35199 6500	
81 35199 6398	See	81 35199 6307		81 35199 6586	<i>194.422</i>	346 350 4639	006 8
81 35199 6456	<i>194.655</i>		011 7	81 35199 6588	194.419	346 350 8039	006 8
81 35199 6457	<i>194.654</i>		011 7	81 35199 6593	199.081	346 350 2327	005A 13
81 35199 6458	<i>194.653</i>		011 7	81 35204 0018	169.670	355 353 1862	001A 10
81 35199 6459	<i>194.652</i>		011 7	81 35204 0018	169.670	355 353 1862	009A 11
81 35199 6460	<i>194.650</i>		011 7	81 35204 0019	169.669	355 353 1962	001A 10
81 35199 6461	<i>194.648</i>		011 7	81 35204 0019	169.669	355 353 1962	009A 11
81 35199 6486	<i>194.557</i>		010 7	81 35204 0020	169.668	355 353 2062	001A 10
81 35199 6487	<i>194.556</i>		010 7	81 35204 0020	169.668	355 353 2062	009A 11
81 35199 6488	See	81 35199 6570		81 35204 0022	169.524	346 353 1762	005A 10
81 35199 6489	<i>194.554</i>		010 7	81 35204 0023	169.636	346 353 1862	005A 10
81 35199 6490	See	81 35199 6572		81 35204 0024	169.637	346 353 1962	005A 10
81 35199 6491	See	81 35199 6573		81 35204 0029	169.821	355 353 2562	001A 10
81 35199 6495	<i>194.551</i>		009B 7	81 35204 0029	169.821	355 353 2562	009A 11
81 35199 6496	<i>194.550</i>		009B 7	81 35204 0031	169.497	346 353 2462	005A 30
81 35199 6497	<i>194.549</i>		009B 7	81 35204 0032	169.525	346 353 2562	005A 30
81 35199 6498	<i>194.548</i>		009B 7	81 35204 0034	169.671	355 353 2262	001A 30
81 35199 6499	<i>194.547</i>		009B 7	81 35204 0034	169.671	355 353 2262	009A 23
81 35199 6500	<i>194.546</i>		009B 7	81 35204 0036	169.672	355 353 2362	001A 30
81 35199 6527	<i>194.131</i>	346 350 5739	006 8	81 35204 0036	169.672	355 353 2362	009A 23
81 35199 6528	<i>194.183</i>	346 350 5939	006 8	81 35300 6064	See	81 35301 6093	

Date

05 / **2004**

Table

Index

MAN no.	CEI no.	MB no.	Tav. Fig.	MAN no.	CEI no.	MB no.	Tav. Fig.
81 35301 6052	See	81 35301 6063		81 35600 6289	See	81 35600 6291	
81 35301 6063	199.099	387 350 0020	001B 37	81 35600 6290	See	81 35600 6291	
81 35301 6063	199.099	387 350 0020	002 39	81 35600 6291		387 350 7003	001B 1
81 35301 6064	See	81 35301 6063		81 35600 6292	See	81 35600 6294	
81 35301 6078	199.128		009B 21	81 35600 6293	See	81 35600 6294	
81 35301 6093	199.111	395 350 8720	006 37	81 35600 6294		387 350 8603	001B 1
81 35301 6094	199.104	395 350 8820	005B 36	81 35600 6300	See	81 35600 6410	
81 35502 0029	170.127	355 357 0701	003A 2	81 35600 6303	See	81 35600 6409	
81 35502 0029	170.127	355 357 0701	004A 2	81 35600 6306	See	81 35600 6408	
81 35502 0030	170.128	355 357 0801	003A 3	81 35600 6309	See	81 35600 6407	
81 35502 0030	170.128	355 357 0801	004A 3	81 35600 6312	See	81 35600 6406	
81 35502 0037	170.129	355 357 1001	003A 3	81 35600 6315	See	81 35600 6405	
81 35502 0081	See	81 35502 0123		81 35600 6366		655 350 1220	005B 1
81 35502 0082	See	81 35502 0122		81 35600 6374		346 350 8820	005B 1
81 35502 0083	170.028	658 357 0701	007A 3	81 35600 6405			009B 1
81 35502 0083	170.028	658 357 0701	008A 3	81 35600 6406			009B 1
81 35502 0084	170.132	658 357 0601	007A 2	81 35600 6407			009B 1
81 35502 0084	170.132	658 357 0601	008A 2	81 35600 6408			009B 1
81 35502 0114	See	81 35502 0136		81 35600 6409			009B 1
81 35502 0115	See	81 35502 0137		81 35600 6410			009B 1
81 35502 0122	170.139		011 17	81 35600 7068	See	81 35600 6405	
81 35502 0123	170.138		011 16	81 35600 7069	See	81 35600 6406	
81 35502 0136	170.136		009B 23	81 35600 7070	See	81 35600 6407	
81 35502 0136	170.136		010 22	81 35600 7071	See	81 35600 6408	
81 35502 0137	170.137		009B 24	81 35600 7072	See	81 35600 6409	
81 35502 0137	170.137		010 23	81 35600 7073	See	81 35600 6410	
81 35600 6184		346 350 2720	005B 1	81 35601 0009	199.103	346 353 0307	005B 34
81 35600 6185		346 350 2703	005B 1	81 35601 0010	199.098	355 353 0107	001B 35
81 35600 6264		346 350 2520	005B 1	81 35601 0018	199.100	355 353 0807	002 37
81 35600 6267		655 350 0320	005B 1	81 35601 0020	199.109	346 353 0807	006 35
81 35600 6274	See	81 35600 6276		81 35601 0030			010 5
81 35600 6275	See	81 35600 6276		81 35601 0032	199.123		009B 5
81 35600 6276		387 350 5303	001B 1	81 35601 0043	See	81 35601 0018	
81 35600 6277	See	81 35600 6278		81 35602 0009	199.102	346 353 0208	005B 33
81 35600 6278		387 350 2603	001B 1	81 35602 0010	199.097	355 353 0408	001B 34
81 35600 6279	See	81 35600 6278		81 35602 0019	199.127		009B 20
81 35600 6281		387 350 6303	001B 1	81 35604 0006	170.102	346 353 0435	005A 38
81 35600 6283	See	81 35600 6285		81 35604 0007	170.126	355 353 0135	001A 38
81 35600 6284	See	81 35600 6285		81 35604 0018		346 353 0635	005A 38
81 35600 6285		387 350 3503	001B 1	81 35604 0020	170.135		009A 31
81 35600 6286	See	81 35600 6288		81 35608 0016	133.056	355 353 0620	001B 13
81 35600 6287	See	81 35600 6288		81 35608 0016	133.056	355 353 0620	002 20
81 35600 6288		387 350 7103	001B 1	81 35608 0020	133.130		009B 13

All original equipment manufacturers numbers, symbols, pictures, models and description used in this catalogue are for reference only, and it is not implied that any part listed is the product of these manufactures.
Tutti i nostri particolari non sono originali ma con essi intercambiabili. I riferimenti originali, le figure, i modelli sono esposti a semplice titolo indicativo. La nostra produzione riporta il nostro marchio.

M.A.N. Index

MAN no.	CEI no.	MB no.	Tav. Fig.	MAN no.	CEI no.	MB no.	Tav. Fig.
81 35608 0020	133.130		010 13	81 35613 0029	See	81 35204 0020	
81 35608 0021	133.123		011 12	81 35613 0031	See	81 35613 0031	
81 35608 0024	133.128	653 353 0020	001A 23	81 35613 0032	See	81 35613 0032	
81 35608 0024	133.128	653 353 0020	009A 15	81 35613 0034	169.807	308 353 0062	001B 9
81 35608 0025	133.108	659 353 0020	005A 23	81 35613 0034	169.807	308 353 0062	001B 15
81 35608 5001	133.060	346 350 0128	005A 14	81 35613 0034	169.807	308 353 0062	001B 23
81 35608 6001	133.061	355 350 0128	001A 14	81 35613 0034	169.807	308 353 0062	002 18
81 35609 0005	See	81 35108 0048		81 35613 0034	169.807	308 353 0062	002 26
81 35609 0006	182.048	346 353 0514	005A 15	81 35613 0034	169.807	308 353 0062	002 35
81 35609 0008	182.075	653 353 0014	001A 26	81 35613 0040	169.792		011 10
81 35609 0008	182.075	653 353 0014	009A 18	81 35613 0041	169.842		009B 11
81 35609 0009	182.063	659 353 0014	005A 26	81 35613 0041	169.842		010 11
81 35610 0011	146.312	346 353 0085	005B 3	81 35613 0043	169.137	346 353 2262	005B 9
81 35610 0013	146.313	355 353 0085	001B 3	81 35613 0043	169.137	346 353 2262	005B 19
81 35610 0016	145.378	346 353 0385	005A 11	81 35613 0043	169.137	346 353 2262	005B 27
81 35610 0017	145.379	355 350 0124	001A 11	81 35613 0043	169.137	346 353 2262	006 17
81 35610 0018	See	81 35610 0017		81 35613 0043	169.137	346 353 2262	006 25
81 35610 0025	146.531		009B 3	81 35613 0043	169.137	346 353 2262	006 33
81 35610 0026	145.715		009A 12	81 35614 0001	141.144	355 353 0234	001A 42
81 35610 0029	145.716		009A 12	81 35614 0001	141.144	355 353 0234	005A 42
81 35610 0030	145.711	355 350 1415	001A 22	81 35614 0001	141.144	355 353 0234	009A 7
81 35610 0031	145.713	346 350 1324	005A 22	81 35617 0001	122.059	346 353 0515	005A 19
81 35610 6003	See	81 35610 0017		81 35617 0002	122.088	346 353 1115	005A 29
81 35611 0006	105.079	346 353 0335	005A 8	81 35618 0003	122.072	355 353 0215	001A 19
81 35611 0007	105.086	355 353 0235	001A 8	81 35618 0003	122.072	355 353 0215	009A 22
81 35611 0016	105.161	346 353 0735	005A 20	81 35618 6001	See	81 35618 0003	
81 35611 0017	105.160	355 353 0935	001A 20	81 35619 0001	See	81 35619 0003	
81 35611 0017	105.160	355 353 0935	009A 9	81 35619 0003	190.349	346 353 0535	001A 43
81 35612 0007	154.146	346 353 0836	005A 9	81 35619 0003	190.349	346 353 0535	005A 43
81 35612 0012	154.160	355 353 0736	001A 9	81 35619 0003	190.349	346 353 0535	009A 8
81 35612 0012	154.160	355 353 0736	009A 10	81 35710 0044	See	81 35710 0044	
81 35612 0014	154.319	355 353 1236	001A 21	81 35710 0045	See	81 35710 0093	
81 35612 0014	154.319	355 353 1236	009A 10	81 35710 0046		355 356 0815	003A 1
81 35612 0015	154.320	346 353 1136	005A 21	81 35710 0093	169.523	355 356 1215	003A 1
81 35613 0014	See	355 353 1862		81 35710 0093	169.523	355 356 1215	003B 1
81 35613 0025	See	81 35613 0025		81 35710 0093	169.523	355 356 1215	004A 1
81 35613 0026	169.589	355 353 0562	001B 9	81 35710 0093	169.523	355 356 1215	004B 1
81 35613 0026	169.589	355 353 0562	001B 15	81 35710 0093	169.523	355 356 1215	007A 1
81 35613 0026	169.589	355 353 0562	001B 23	81 35710 0093	169.523	355 356 1215	007B 1
81 35613 0026	169.589	355 353 0562	002 18	81 35710 0093	169.523	355 356 1215	008A 1
81 35613 0026	169.589	355 353 0562	002 26	81 35710 0093	169.523	355 356 1215	008B 1
81 35613 0026	169.589	355 353 0562	002 35	81 35710 0094	139.198	346 356 1415	003A 1
81 35613 0028	See	81 35204 0018		81 35710 0094	139.198	346 356 1415	003B 1

Date

05 / 2004

Table

Index

MAN no.	CEI no.	MB no.	Tav. Fig.	MAN no.	CEI no.	MB no.	Tav. Fig.
81 35710 0094	139.198	346 356 1415	004A 1	81 90685 0052	See	81 90685 0303	
81 35710 0094	139.198	346 356 1415	004B 1	81 90685 0053	187.623	346 353 0925	005A 37
81 35710 0094	139.198	346 356 1415	007A 1	81 90685 0054	187.516	346 353 0825	005A 6
81 35710 0094	139.198	346 356 1415	007B 1	81 90685 0303	187.536	946 351 0072	005A 1
81 35710 0094	139.198	346 356 1415	008A 1	81 90685 0303	187.536	946 351 0072	005B 2
81 35710 0094	139.198	346 356 1415	008B 1	81 90685 0303	187.536	946 351 0072	006 2
81 35730 0017	169.828	355 353 0129	002 6	81 90685 0303	187.536	946 351 0072	011 2
81 35730 0018	169.836	346 353 1429	006 6	81 90685 0311	187.250	385 351 0672	001A 1
81 39115 0065	See	81 39115 5029		81 90685 0311	187.250	385 351 0672	001B 2
81 39115 0085	155.195	305 353 0345	002 3	81 90685 0311	187.250	385 351 0672	002 2
81 39115 0086	155.211	355 353 1445	002 3	81 90685 0311	187.250	385 351 0672	009A 1
81 39115 0175	See	81 39115 5061		81 90685 0311	187.250	385 351 0672	009B 2
81 39115 0208	See	81 39115 5067		81 90685 0311	187.250	385 351 0672	010 2
81 39115 5026	135.149	355 350 0745	001A 2	81 90701 0711	169.833	346 353 0952	005B 35
81 39115 5029	155.071	346 350 0545	005A 2	81 90701 0711	169.833	346 353 0952	006 36
81 39115 5029	155.071	346 350 0545	006 3	81 90701 0713	See	81 90701 0711	
81 39115 5030	155.086	346 350 0445	006 3	81 90701 0717	139.579	355 353 0152	001B 36
81 39115 5057		346 350 0845	006 3	81 90701 0717	139.579	355 353 0152	002 38
81 39115 5059		346 350 0945	005A 2	81 90701 0721	169.496	346 353 0224	005A 16
81 39115 5059		346 350 0945	006 3	81 90701 0721	169.496	346 353 0224	005A 27
81 39115 5061	197.072		011 3	81 90701 0722	169.582	355 353 0176	001A 16
81 39115 5067	155.213		009A 2	81 90701 0722	169.582	355 353 0176	001A 27
81 39115 5071			010 3	81 90701 0722	169.582	355 353 0176	009A 19
81 45100 6329	199.053	387 350 1323	001B 30	81 90701 0727	169.581	494 335 0075	001B 11
81 45100 6329	199.053	387 350 1323	002 9	81 90701 0727	169.581	494 335 0075	001B 19
81 90001 0165	See	81 90001 0165		81 90701 0727	169.581	494 335 0075	002 16
81 90490 0240	See	81 90001 0165		81 90701 0727	169.581	494 335 0075	002 24
81 90490 0331	187.630	346 990 3101	005B 38	81 90701 0731	139.580	355 353 0552	001B 36
81 90490 0331	187.630	346 990 3101	006 38	81 90701 0731	139.580	355 353 0552	002 38
81 90620 0047	187.507	346 353 0126	005A 18	81 90701 0732	139.581	355 353 0652	001B 36
81 90620 0048	187.535	942 356 0026	003A 14	81 90701 0732	139.581	355 353 0652	002 38
81 90620 0048	187.535	942 356 0026	003B 14	81 90701 0733	169.834	346 353 1352	005B 35
81 90620 0048	187.535	942 356 0026	004A 14	81 90701 0733	169.834	346 353 1352	006 36
81 90620 0048	187.535	942 356 0026	004B 14	81 90701 0734	169.835	346 353 1452	005B 35
81 90620 0048	187.535	942 356 0026	007A 14	81 90701 0734	169.835	346 353 1452	006 36
81 90620 0048	187.535	942 356 0026	007B 14	81 90701 0931	169.793		011 14
81 90620 0048	187.535	942 356 0026	008A 14	81 90701 0960	169.843		009B 15
81 90620 0048	187.535	942 356 0026	008B 14	81 90701 0960	169.843		010 15
81 90620 0049	187.534	355 353 0026	001A 18	81 90711 0535	169.136	346 353 0124	005B 11
81 90620 0087	187.621	346 353 0326	005A 28	81 90711 0535	169.136	346 353 0124	005B 17
81 90620 0088	187.616	355 353 0126	001A 28	81 90711 0535	169.136	346 353 0124	005B 25
81 90620 0088	187.616	355 353 0126	009A 21	81 90711 0535	169.136	346 353 0124	006 15
81 90640 0032	See	81 90685 0311		81 90711 0535	169.136	346 353 0124	006 23

All original equipment manufacturers numbers, symbols, pictures, models and description used in this catalogue are for reference only, and it is not implied that any part listed is the product of these manufactures.
Tutti i nostri particolari non sono originali ma con essi intercambiabili. I riferimenti originali, le figure, i modelli sono esposti a semplice titolo indicativo. La nostra produzione riporta il nostro marchio.

M.A.N. Index

MAN no.	CEI no.	MB no.	Tav. Fig.	MAN no.	CEI no.	MB no.	Tav. Fig.
81 90711 0535	169.136	346 353 0124	006 31	81 91710 0442	169.822	653 353 0051	009A 16
81 90711 0546	169.562	355 354 0162	003A 10	81 91710 0443	See	81 91710 0442	
81 90711 0546	169.562	355 354 0162	003B 10	81 91710 0444	169.739	659 353 0051	005A 24
81 90711 0546	169.562	355 354 0162	004A 10	81 91710 0447	See	81 91710 0442	
81 90711 0546	169.562	355 354 0162	004B 10	81 93020 0568	117.235	346 353 0450	005A 12
81 90711 0546	169.562	355 354 0162	007A 10	81 93020 0569	117.236	346 353 0650	005A 17
81 90711 0546	169.562	355 354 0162	007B 10	81 93020 0678	117.277	355 353 0950	001A 12
81 90711 0546	169.562	355 354 0162	008A 10	81 93020 0678	117.277	355 353 0950	009A 13
81 90711 0546	169.562	355 354 0162	008B 10	81 93020 0679	117.278	355 353 1050	001A 17
81 90711 0640	169.245	346 336 0062	003A 7	81 93020 0679	117.278	355 353 1050	009A 20
81 90711 0640	169.245	346 336 0062	003B 7	81 93020 0680	See	81 93020 0678	
81 90711 0640	169.245	346 336 0062	004A 7	81 93020 0681	See	81 93020 0679	
81 90711 0640	169.245	346 336 0062	004B 7	81 93020 0846	117.253	355 353 0750	001B 17
81 90711 0640	169.245	346 336 0062	007A 7	81 93020 0846	117.253	355 353 0750	002 22
81 90711 0640	169.245	346 336 0062	007B 7	81 93020 0971	117.083	346 353 0950	005B 15
81 90711 0640	169.245	346 336 0062	008A 7	81 93020 0971	117.083	346 353 0950	005B 23
81 90711 0640	169.245	346 336 0062	008B 7	81 93020 0971	117.083	346 353 0950	006 21
81 90711 0641	169.563	346 354 1362	003A 12	81 93020 0971	117.083	346 353 0950	006 29
81 90711 0641	169.563	346 354 1362	003B 12	81 93021 0218	117.352	653 353 0050	001A 25
81 90711 0641	169.563	346 354 1362	004A 12	81 93021 0218	117.352	653 353 0050	009A 17
81 90711 0641	169.563	346 354 1362	004B 12	81 93021 0219	117.300	659 353 0050	005A 25
81 90711 0641	169.563	346 354 1362	007A 12	81 93410 6009	See	06 31420 4502	
81 90711 0641	169.563	346 354 1362	007B 12	81 93420 0097	See	06 32819 0033	
81 90711 0641	169.563	346 354 1362	008A 12	81 93420 0181	See	06 32499 0132	
81 90711 0641	169.563	346 354 1362	008B 12	81 93420 0182	See	06 32499 0132	
81 90712 0550	115.010	355 353 6051	001B 16	81 93420 0270	See	06 32499 0131	
81 90712 0550	115.010	355 353 6051	002 21	87 12103 2100	See	06 12114 0121	
81 90712 0798	See	81 90712 0798		87 16131 2100	See	06 16130 0121	
81 90713 0835	115.006	346 353 3251	005B 14	87 51150 1202	See	06 31420 0302	
81 90713 0835	115.006	346 353 3251	005B 22	87 51150 1502	See	06 31420 0602	
81 90713 0835	115.006	346 353 3251	006 20	87 51160 1302	See	06 31420 4502	
81 90713 0835	115.006	346 353 3251	006 28				
81 90801 0212	See	81 90801 0224					
81 90801 0224	107.073	355 356 0173	003A 9				
81 90801 0224	107.073	355 356 0173	003B 9				
81 90801 0224	107.073	355 356 0173	004A 9				
81 90801 0224	107.073	355 356 0173	004B 9				
81 90801 0224	107.073	355 356 0173	007A 9				
81 90801 0224	107.073	355 356 0173	007B 9				
81 90801 0224	107.073	355 356 0173	008A 9				
81 90801 0224	107.073	355 356 0173	008B 9				
81 91701 0349		346 353 0350	005B 37				
81 91710 0442	169.822	653 353 0051	001A 24				

Date

05 / 2004

Table

Index

MB no.	CEI no.	M.A.N. no.	Tav.	Fig.	MB no.	CEI no.	M.A.N. no.	Tav.	Fig.
494 335 0214	182.051	81 35108 0049	001B	10	346 350 0609	198.937		007A	17
494 335 0214	182.051	81 35108 0049	001B	18	346 350 0709	198.941		008A	17
494 335 0214	182.051	81 35108 0049	002	15	346 350 1209	198.940		008A	17
494 335 0214	182.051	81 35108 0049	002	23	346 350 1709	198.931		004B	17
494 335 0075	169.581	81 90701 0727	001B	11	346 350 1709	198.931		008B	17
494 335 0075	169.581	81 90701 0727	001B	19	346 350 1809	198.942		004B	17
494 335 0075	169.581	81 90701 0727	002	16	346 350 1809	198.942		008B	17
494 335 0075	169.581	81 90701 0727	002	24	355 350 0709	198.919		003A	17
346 336 0062	169.245	81 90711 0640	003A	7	355 350 0809	198.928		004A	17
346 336 0062	169.245	81 90711 0640	003B	7	355 350 1009	198.934		003A	17
346 336 0062	169.245	81 90711 0640	004A	7	355 350 1009	198.934		007A	17
346 336 0062	169.245	81 90711 0640	004B	7	355 350 1209	198.936		004A	17
346 336 0062	169.245	81 90711 0640	007A	7	355 350 1409	198.924		003B	17
346 336 0062	169.245	81 90711 0640	007B	7	355 350 1409	198.924		007B	17
346 336 0062	169.245	81 90711 0640	008A	7	355 350 1509	198.932		003B	17
346 336 0062	169.245	81 90711 0640	008B	7	355 350 1509	198.932		007B	17
346 350 2603	See	346 350 2703			355 350 1415	145.711	81 35610 0030	001A	22
346 350 2703		81 35600 6185	005B	1	305 350 9520			002	1
346 350 4803	See	395 350 8720			307 350 4020			006	1
346 350 9803		81 35010 6010	006	1	346 350 0820	See	395 350 8820		
346 350 9903		81 35010 6001	006	1	346 350 1520	See	346 350 9903		
355 350 1103	See	387 350 6303			346 350 1920	See	346 350 7220		
355 350 1503	See	387 350 7003			346 350 2520		81 35600 6264	005B	1
355 350 1803	See	387 350 7103			346 350 2720		81 35600 6184	005B	1
355 350 4603	See	387 350 0020			346 350 6220	See	395 350 8820		
355 350 5203	See	387 350 0020			346 350 7020		81 35010 6041	006	1
387 350 2503	See	387 350 2603			346 350 7120		81 35010 6007	006	1
387 350 2603		81 35600 6278	001B	1	346 350 7220		81 35010 6004	006	1
387 350 3503		81 35600 6285	001B	1	346 350 7620	See	346 350 7220		
387 350 3603	See	387 350 3503			346 350 8820		81 35600 6374	005B	1
387 350 5303		81 35600 6276	001B	1	355 350 1120	See	387 350 0020		
387 350 6303		81 35600 6281	001B	1	355 350 2620	See	387 350 2603		
387 350 6403	See	387 350 6303			381 350 0920			002	1
387 350 6903	See	387 350 7003			387 350 0020	199.099	81 35301 6063	001B	37
387 350 7003		81 35600 6291	001B	1	387 350 0020	199.099	81 35301 6063	002	39
387 350 7103		81 35600 6288	001B	1	387 350 2520		81 35000 6847	002	1
387 350 7203	See	387 350 7103			387 350 2620		81 35000 6875	002	1
387 350 8603		81 35600 6294	001B	1	387 350 2720		81 35000 6843	002	1
387 350 8703	See	387 350 8603			387 350 2820		81 35000 6846	002	1
387 350 8803	See	387 350 8603			387 350 3020		81 35000 6876	002	1
393 350 4303	See	388 350 0262			387 350 3120		81 35100 6436	002	1
305 350 0109	198.929		004A	17	387 350 4320	See	387 350 2620		
305 350 0209	198.920		003A	17	387 350 4420	See	387 350 3020		

All original equipment manufacturers numbers, symbols, pictures, models and description used in this catalogue are for reference only, and it is not implied that any part listed is the product of these manufactures.
Tutti i nostri particolari non sono originali ma con essi intercambiabili. I riferimenti originali, le figure, i modelli sono esposti a semplice titolo indicativo. La nostra produzione riporta il nostro marchio.

MB Index

MB no.	CEI no.	M.A.N. no.	Tav.	Fig.	MB no.	CEI no.	M.A.N. no.	Tav.	Fig.
387 350 5520	See	387 350 5303			346 350 0527	See	346 350 2327		
387 350 9920		81 35100 6435	002	1	346 350 2327	199.081	81 35199 6593	005A	13
393 350 7720		81 35010 6060	006	1	355 350 0227	<i>199.054</i>	81 35105 6030	001B	30
395 350 4620	See	395 350 8720			355 350 0227	<i>199.054</i>	81 35105 6030	002	9
395 350 4720	See	395 350 8820			355 350 0327	See	355 350 1827		
395 350 8720	<i>199.111</i>	81 35301 6093	006	37	355 350 0927	See	355 350 0227		
395 350 8820	<i>199.104</i>	81 35301 6094	005B	36	355 350 1827	199.062	81 35100 6592	001A	13
397 350 0020	See	397 350 0120			355 350 1827	199.062	81 35100 6592	009A	14
397 350 0120		81 35010 6063	006	1	346 350 0128	133.060	81 35608 5001	005A	14
655 350 0320		81 35600 6267	005B	1	346 350 0228	<i>133.024</i>	81 35107 6014	005B	7
655 350 1220		81 35600 6366	005B	1	346 350 0228	<i>133.024</i>	81 35107 6014	006	13
655 350 7820			006	1	355 350 0128	<i>133.061</i>	81 35608 6001	001A	14
343 350 0723	See	343 350 1023			346 350 1533	198.581	81 35114 6038	003A	16
343 350 0923	198.889		005A	40	346 350 1533	198.581	81 35114 6038	004A	16
343 350 1023	198.618	81 35100 6345	005A	39	346 350 1533	198.581	81 35114 6038	007A	16
346 350 1623	See	346 350 8123			346 350 1533	198.581	81 35114 6038	008A	16
346 350 6623	<i>199.101</i>		005B	29	346 350 3033	<i>198.938</i>		007A	16
346 350 8123	<i>199.046</i>	81 35100 6327	005B	29	346 350 3033	<i>198.938</i>		008A	16
346 350 8123	<i>199.046</i>	81 35100 6327	006	9	346 350 4633	See	346 350 7433		
346 350 8223	<i>199.106</i>	81 35100 6336	006	9	346 350 4733	See	355 350 5133		
346 350 9523	See	343 350 1023			346 350 5733	See	346 350 7433		
355 350 7623	See	387 350 1323			346 350 6733	See	346 350 7433		
387 350 0423	See	387 350 9823			346 350 7433	<i>198.923</i>		004B	16
387 350 1323	<i>199.053</i>	81 45100 6329	001B	30	346 350 7433	<i>198.923</i>		008B	16
387 350 1323	<i>199.053</i>	81 45100 6329	002	9	346 350 7533	<i>198.922</i>		003B	16
387 350 5923	<i>199.096</i>		001B	30	355 350 2533	<i>175.178</i>	81 35114 6075	003A	16
387 350 5923	<i>199.096</i>		002	9	355 350 2533	<i>175.178</i>	81 35114 6075	004A	16
387 350 9423	See	658 350 0023			355 350 3433	<i>198.935</i>		003A	16
387 350 9823	198.532	81 35100 6266	001A	39	355 350 3433	<i>198.935</i>		004A	16
393 350 2023	See	346 350 8123			355 350 4633	See	346 350 7533		
393 350 2223	See	346 350 6623			355 350 4733	See	355 350 5133		
393 350 2623	<i>199.108</i>		006	9	355 350 5033	See	346 350 7533		
658 350 0023	198.905		001A	39	355 350 5133	<i>198.933</i>		003B	16
658 350 0223	198.906		001A	40	355 350 5133	<i>198.933</i>		004B	16
658 350 0323	198.907		001A	40	355 350 5133	<i>198.933</i>		007B	16
346 350 1324	145.713	81 35610 0031	005A	22	355 350 5133	<i>198.933</i>		008B	16
355 350 0024	See	355 350 1415			355 350 7533	<i>198.939</i>		007B	16
355 350 0124	<i>145.379</i>	81 35610 0017	001A	11	305 350 0339	See	355 350 2939		
355 350 0324	<i>145.699</i>		001A	11	305 350 0439	See	355 350 4739		
355 350 0624	145.712		001A	22	305 350 0539	See	355 350 4639		
355 350 0126	See	355 353 0215			305 350 0639	See	355 350 3039		
346 350 0427	<i>199.048</i>	81 35100 6361	005B	29	305 350 0739	See	355 350 3439		
346 350 0427	<i>199.048</i>	81 35100 6361	006	9	305 350 1239	See	357 350 0339		

Date

05 / **2004**

Table

Index

MB no.	CEI no.	M.A.N. no.	Tav.	Fig.	MB no.	CEI no.	M.A.N. no.	Tav.	Fig.
305 350 1639	See	357 350 0739			355 350 3939	194.334	81 35199 6315	001B	6
307 350 0139			006	8	355 350 4039	194.333	81 35199 6316	001B	6
346 350 1639	See	346 350 5739			355 350 4139	See	944 350 0739		
346 350 1739	194.126	81 35199 6299	006	8	355 350 4239	194.644	81 35199 6313	001B	6
346 350 1839	194.287	81 35199 6300	006	8	355 350 4339	194.400	81 35199 6314	001B	6
346 350 1939	194.182	81 35199 6552	006	8	355 350 4439	See	355 350 4239		
346 350 2039	See	346 350 5939			355 350 4539	See	355 350 4339		
346 350 2139	See	346 350 2639			355 350 4639	194.295	81 35199 6556	002	8
346 350 2239	See	346 350 2739			355 350 4739	194.292	81 35199 6555	002	8
346 350 2339	See	346 350 6139			355 350 4839	194.605	81 35199 6318	001B	6
346 350 2439	See	346 350 2939			355 350 4939	194.645	81 35199 6375	001B	6
346 350 2639	194.335	81 35199 6326	005B	6	355 350 5039	194.649		002	8
346 350 2739	194.336	81 35199 6327	005B	6	355 350 5139	See	355 350 3039		
346 350 2839	See	346 350 2339			355 350 5239	See	355 350 2939		
346 350 2939	194.601	81 35199 6553	005B	6	355 350 5339	See	355 350 4939		
346 350 3039	See	346 350 3139			357 350 0039	See	346 350 1639		
346 350 3139	194.288	81 35199 6347	005B	6	357 350 0139	See	357 350 0739		
346 350 3539	See	346 350 8039			357 350 0339	194.647	81 35199 6350	002	8
346 350 3639	See	346 350 8139			357 350 0639	194.418	81 35199 6560	002	8
346 350 3739	See	346 350 3539			357 350 0739	194.651	81 35199 6558	002	8
346 350 3839	See	346 350 4639			371 350 0139	194.290	81 35199 6304	002	8
346 350 3939	See	346 350 1639			944 350 0639	See	355 350 4139		
346 350 4039	See	346 350 1739			944 350 0739	194.291	81 35199 6317	001B	6
346 350 4139	See	346 350 1939			944 350 1839	See	355 350 3039		
346 350 4239	See	346 350 1839			355 350 0040	See	658 350 0223		
346 350 4339	See	346 350 2039			387 350 0040	198.557		005B	28
346 350 4439	194.421		006	8	387 350 0040	198.557		006	34
346 350 4639	194.422	81 35199 6586	006	8	393 350 0040	198.910		001B	20
346 350 5639	See	346 350 1639			393 350 0040	198.910		002	27
346 350 5739	194.131	81 35199 6527	006	8	395 350 0040	198.909		001B	29
346 350 5939	194.183	81 35199 6528	006	8	395 350 0040	198.909		002	36
346 350 6139	194.286	81 35199 6325	005B	6	346 350 0443	187.514	81 35125 6010	005B	30
346 350 8039	194.419	81 35199 6588	006	8	346 350 0443	187.514	81 35125 6010	006	10
346 350 8139	194.420	81 35199 6566	005B	6	355 350 0343	187.619	81 35125 0004	001B	31
355 350 2939	See	357 350 0639			355 350 0343	187.619	81 35125 0004	002	11
355 350 3039	See	371 350 0139			346 350 0445	155.086	81 39115 5030	006	3
355 350 3139	See	355 350 4739			346 350 0545	155.071	81 39115 5029	005A	2
355 350 3239	See	355 350 4639			346 350 0545	155.071	81 39115 5029	006	3
355 350 3439	194.356	81 35199 6564	002	8	346 350 0645	155.070		006	3
355 350 3539	194.646	81 35199 6308	002	8	346 350 0845		81 39115 5057	006	3
355 350 3639	See	355 350 4139			346 350 0945		81 39115 5059	005A	2
355 350 3739	See	355 350 4039			346 350 0945		81 39115 5059	006	3
355 350 3839	See	355 350 3939			346 350 1245			006	3

All original equipment manufacturers numbers, symbols, pictures, models and description used in this catalogue are for reference only, and it is not implied that any part listed is the product of these manufactures. Tutti i nostri particolari non sono originali ma con essi intercambiabili. I riferimenti originali, le figure, i modelli sono esposti a semplice titolo indicativo. La nostra produzione riporta il nostro marchio.

MB Index

MB no.	CEI no.	M.A.N. no.	Tav.	Fig.	MB no.	CEI no.	M.A.N. no.	Tav.	Fig.
346 350 1445	197.073		005A	2	355 353 0708			001B	34
346 350 1445	197.073		006	3	346 353 0114	See	346 353 0514		
346 350 1545			006	3	346 353 0514	182.048	81 35609 0006	005A	15
346 350 1645			005A	2	346 353 0614	182.027	81 35108 0053	005B	16
355 350 0645			001A	2	346 353 0614	182.027	81 35108 0053	006	22
355 350 0745	135.149	81 39115 5026	001A	2	346 353 1014	182.056	81 35108 0085	005B	24
355 350 1245			001A	2	346 353 1014	182.056	81 35108 0085	006	30
385 350 0145			001A	2	355 353 0214	182.047	81 35108 0048	001A	15
650 350 0045			006	3	355 353 0614	182.076	81 35108 0061	001B	18
305 350 0254	See	305 350 0454			355 353 0614	182.076	81 35108 0061	002	23
305 350 0354	198.926		004A	13A	366 353 0214	See	366 353 0414		
305 350 0454	198.917		003A	13A	366 353 0414	182.003	81 35108 0044	005B	10
346 350 0454	See	346 350 0654			366 353 0414	182.003	81 35108 0044	006	14
346 350 0554	198.652		007A	13	395 353 0114	182.077		001B	27
346 350 0654	198.450		008A	13A	395 353 0114	182.077		002	32
355 350 0054	See	653 350 0054			653 353 0014	182.075	81 35609 0008	001A	26
355 350 0154	See	355 350 0354			653 353 0014	182.075	81 35609 0008	009A	18
355 350 0254	198.925		004A	13A	659 353 0014	182.063	81 35609 0009	005A	26
355 350 0354	198.700		003A	13A	346 353 0315	122.005	81 35106 0027	005B	8
651 350 0054	198.921		003B	13	346 353 0315	122.005	81 35106 0027	005B	18
651 350 0054	198.921		007B	13	346 353 0315	122.005	81 35106 0027	006	16
653 350 0054	198.930		004B	13	346 353 0315	122.005	81 35106 0027	006	24
653 350 0054	198.930		008B	13	346 353 0515	122.059	81 35617 0001	005A	19
388 350 0262	199.112		006	37	346 353 0815	122.076	81 35106 0036	005B	8
385 351 0572	See	946 351 0072			346 353 0815	122.076	81 35106 0036	005B	26
385 351 0672	187.250	81 90685 0311	001A	1	346 353 0815	122.076	81 35106 0036	006	16
385 351 0672	187.250	81 90685 0311	001B	2	346 353 0815	122.076	81 35106 0036	006	32
385 351 0672	187.250	81 90685 0311	002	2	346 353 1115	122.088	81 35617 0002	005A	29
385 351 0672	187.250	81 90685 0311	009A	1	355 353 0215	122.072	81 35618 0003	001A	19
385 351 0672	187.250	81 90685 0311	009B	2	355 353 0215	122.072	81 35618 0003	009A	22
385 351 0672	187.250	81 90685 0311	010	2	355 353 0315	122.064	81 35106 0028	001B	8
946 351 0072	187.536	81 90685 0303	005A	1	355 353 0315	122.064	81 35106 0028	001B	14
946 351 0072	187.536	81 90685 0303	005B	2	355 353 0315	122.064	81 35106 0028	002	17
946 351 0072	187.536	81 90685 0303	006	2	355 353 0315	122.064	81 35106 0028	002	25
946 351 0072	187.536	81 90685 0303	011	2	355 353 0515	See	355 350 0124		
346 353 0307	199.103	81 35601 0009	005B	34	355 353 0615	122.104	81 35106 0042	001B	22
346 353 0807	199.109	81 35601 0020	006	35	355 353 0615	122.104	81 35106 0042	002	34
346 353 0907	199.110		006	35	355 353 0815	122.103	81 35106 0038	001B	14
355 353 0107	199.098	81 35601 0010	001B	35	355 353 0815	122.103	81 35106 0038	002	25
355 353 0307	See	355 353 0807			355 353 1115	122.105		001A	29
355 353 0807	199.100	81 35601 0018	002	37	308 353 0020	133.127	81 35107 0020	001B	7
346 353 0208	199.102	81 35602 0009	005B	33	308 353 0020	133.127	81 35107 0020	002	14
355 353 0408	199.097	81 35602 0010	001B	34	346 353 0420	133.013	81 35107 0024	005B	13

Date

05 / **2004**

Table

Index

MB no.	CEI no.	M.A.N. no.	Tav. Fig.	MB no.	CEI no.	M.A.N. no.	Tav. Fig.
346 353 0420	133.013	81 35107 0024	005B 21	346 353 0535	190.349	81 35619 0003	005A 43
346 353 0420	133.013	81 35107 0024	006 19	346 353 0535	190.349	81 35619 0003	009A 8
346 353 0420	133.013	81 35107 0024	006 27	346 353 0635		81 35604 0018	005A 38
355 353 0620	133.056	81 35608 0016	001B 13	346 353 0735	105.161	81 35611 0016	005A 20
355 353 0620	133.056	81 35608 0016	002 20	355 353 0135	170.126	81 35604 0007	001A 38
395 353 0320	133.129		001B 21	355 353 0235	105.086	81 35611 0007	001A 8
395 353 0320	133.129		002 28	355 353 0735			001A 38
653 353 0020	133.128	81 35608 0024	001A 23	355 353 0935	105.160	81 35611 0017	001A 20
653 353 0020	133.128	81 35608 0024	009A 15	355 353 0935	105.160	81 35611 0017	009A 9
659 353 0020	133.108	81 35608 0025	005A 23	385 353 0335			001A 38
346 353 0124	169.136	81 90711 0535	005B 11	385 353 0735	See	355 353 0735	
346 353 0124	169.136	81 90711 0535	005B 17	346 353 0836	154.146	81 35612 0007	005A 9
346 353 0124	169.136	81 90711 0535	005B 25	346 353 1136	154.320	81 35612 0015	005A 21
346 353 0124	169.136	81 90711 0535	006 15	355 353 0736	154.160	81 35612 0012	001A 9
346 353 0124	169.136	81 90711 0535	006 23	355 353 0736	154.160	81 35612 0012	009A 10
346 353 0124	169.136	81 90711 0535	006 31	355 353 1036	See	355 353 1236	
346 353 0224	169.496	81 90701 0721	005A 16	355 353 1236	154.319	81 35612 0014	001A 21
346 353 0224	169.496	81 90701 0721	005A 27	355 353 1236	154.319	81 35612 0014	009A 10
346 353 0625	See	652 353 0025		305 353 0345	155.195	81 39115 0085	002 3
346 353 0725	See	346 350 0443		355 353 1245			002 3
346 353 0825	187.516	81 90685 0054	005A 6	355 353 1445	155.211	81 39115 0086	002 3
346 353 0925	187.623	81 90685 0053	005A 37	355 353 2245	155.194		002 3
355 353 0125	See	371 353 0025		355 353 2345	155.196		001A 2
355 353 0225	187.618	81 35125 0007	001A 37	355 353 2445			002 3
355 353 0325	187.615	81 35125 0005	001A 6	346 353 0350		81 91701 0349	005B 37
355 353 0325	187.615	81 35125 0005	009A 5	346 353 0450	117.235	81 93020 0568	005A 12
371 353 0025	187.620	81 35125 0006	001B 33	346 353 0650	117.236	81 93020 0569	005A 17
371 353 0025	187.620	81 35125 0006	002 12	346 353 0950	117.083	81 93020 0971	005B 15
652 353 0025	187.515	81 35125 0003	005B 32	346 353 0950	117.083	81 93020 0971	005B 23
652 353 0025	187.515	81 35125 0003	006 12	346 353 0950	117.083	81 93020 0971	006 21
346 353 0126	187.507	81 90620 0047	005A 18	346 353 0950	117.083	81 93020 0971	006 29
346 353 0326	187.621	81 90620 0087	005A 28	346 353 1050	See	346 353 0650	
355 353 0026	187.534	81 90620 0049	001A 18	355 353 0150	See	355 353 1050	
355 353 0126	187.616	81 90620 0088	001A 28	355 353 0250	See	355 353 0950	
355 353 0126	187.616	81 90620 0088	009A 21	355 353 0750	117.253	81 93020 0846	001B 17
346 353 1429	169.836	81 35730 0018	006 6	355 353 0750	117.253	81 93020 0846	002 22
355 353 0129	169.828	81 35730 0017	002 6	355 353 0950	117.277	81 93020 0678	001A 12
355 353 0234	141.144	81 35614 0001	001A 42	355 353 0950	117.277	81 93020 0678	009A 13
355 353 0234	141.144	81 35614 0001	005A 42	355 353 1050	117.278	81 93020 0679	001A 17
355 353 0234	141.144	81 35614 0001	009A 7	355 353 1050	117.278	81 93020 0679	009A 20
346 353 0335	105.079	81 35611 0006	005A 8	653 353 0050	117.352	81 93021 0218	001A 25
346 353 0435	170.102	81 35604 0006	005A 38	653 353 0050	117.352	81 93021 0218	009A 17
346 353 0535	190.349	81 35619 0003	001A 43	659 353 0050	117.300	81 93021 0219	005A 25

All original equipment manufacturers numbers, symbols, pictures, models and description used in this catalogue are for reference only, and it is not implied that any part listed is the product of these manufactures.
Tutti i nostri particolari non sono originali ma con essi intercambiabili. I riferimenti originali, le figure, i modelli sono esposti a semplice titolo indicativo. La nostra produzione riporta il nostro marchio.

MB Index

MB no.	CEI no.	M.A.N. no.	Tav.	Fig.	MB no.	CEI no.	M.A.N. no.	Tav.	Fig.
346 353 2551	See	346 353 3251			346 353 1162	See	346 353 1962		
346 353 3251	115.006	81 90713 0835	005B	14	346 353 1762	169.524	81 35204 0022	005A	10
346 353 3251	115.006	81 90713 0835	005B	22	346 353 1862	169.636	81 35204 0023	005A	10
346 353 3251	115.006	81 90713 0835	006	20	346 353 1962	169.637	81 35204 0024	005A	10
346 353 3251	115.006	81 90713 0835	006	28	346 353 2262	169.137	81 35613 0043	005B	9
355 353 6051	115.010	81 90712 0550	001B	16	346 353 2262	169.137	81 35613 0043	005B	19
355 353 6051	115.010	81 90712 0550	002	21	346 353 2262	169.137	81 35613 0043	005B	27
395 353 0351	117.353		001B	26	346 353 2262	169.137	81 35613 0043	006	17
395 353 0351	117.353		002	31	346 353 2262	169.137	81 35613 0043	006	25
395 353 0451	See	395 353 0551			346 353 2262	169.137	81 35613 0043	006	33
395 353 0551	115.025		001B	24	346 353 2462	169.497	81 35204 0031	005A	30
395 353 0551	115.025		002	29	346 353 2562	169.525	81 35204 0032	005A	30
653 353 0051	169.822	81 91710 0442	001A	24	346 353 2662			005A	10
653 353 0051	169.822	81 91710 0442	009A	16	355 353 0362	See	355 353 2262		
653 353 0151	See	653 353 0051			355 353 0462	See	355 353 1862		
659 353 0051	169.739	81 91710 0444	005A	24	355 353 0562	169.589	81 35613 0026	001B	9
659 353 0151	See	659 353 0051			355 353 0562	169.589	81 35613 0026	001B	15
346 353 0952	169.833	81 90701 0711	005B	35	355 353 0562	169.589	81 35613 0026	001B	23
346 353 0952	169.833	81 90701 0711	006	36	355 353 0562	169.589	81 35613 0026	002	18
346 353 1352	169.834	81 90701 0733	005B	35	355 353 0562	169.589	81 35613 0026	002	26
346 353 1352	169.834	81 90701 0733	006	36	355 353 0562	169.589	81 35613 0026	002	35
346 353 1452	169.835	81 90701 0734	005B	35	355 353 0762	See	355 353 1962		
346 353 1452	169.835	81 90701 0734	006	36	355 353 0862	See	355 353 2062		
346 353 1852	169.837		006	36	355 353 1062	See	355 353 2262		
346 353 2252	169.838		006	36	355 353 1162	See	355 353 2362		
346 353 2352	169.839		006	36	355 353 1862	169.670	81 35204 0018	001A	10
355 353 0152	139.579	81 90701 0717	001B	36	355 353 1862	169.670	81 35204 0018	009A	11
355 353 0152	139.579	81 90701 0717	002	38	355 353 1962	169.669	81 35204 0019	001A	10
355 353 0552	139.580	81 90701 0731	001B	36	355 353 1962	169.669	81 35204 0019	009A	11
355 353 0552	139.580	81 90701 0731	002	38	355 353 2062	169.668	81 35204 0020	001A	10
355 353 0652	139.581	81 90701 0732	001B	36	355 353 2062	169.668	81 35204 0020	009A	11
355 353 0652	139.581	81 90701 0732	002	38	355 353 2262	169.671	81 35204 0034	001A	30
308 353 0062	169.807	81 35613 0034	001B	9	355 353 2262	169.671	81 35204 0034	009A	23
308 353 0062	169.807	81 35613 0034	001B	15	355 353 2362	169.672	81 35204 0036	001A	30
308 353 0062	169.807	81 35613 0034	001B	23	355 353 2362	169.672	81 35204 0036	009A	23
308 353 0062	169.807	81 35613 0034	002	18	355 353 2462	169.823		001A	30
308 353 0062	169.807	81 35613 0034	002	26	355 353 2562	169.821	81 35204 0029	001A	10
308 353 0062	169.807	81 35613 0034	002	35	355 353 2562	169.821	81 35204 0029	009A	11
346 353 0362	See	346 353 1762			355 353 2662	169.824		001A	30
346 353 0562	See	346 353 2262			346 353 0072	See	946 351 0072		
346 353 0762	See	346 353 2462			366 353 0072	See	385 351 0672		
346 353 0862	See	346 353 2562			355 353 0176	169.582	81 90701 0722	001A	16
346 353 1062	See	346 353 1862			355 353 0176	169.582	81 90701 0722	001A	27

Date

05 / 2004

Table

Index

MB no.	CEI no.	M.A.N. no.	Tav.	Fig.	MB no.	CEI no.	M.A.N. no.	Tav.	Fig.
355 353 0176	169.582	81 90701 0722	009A	19	355 354 1212	123.236		003A	6
395 353 0277	169.827		001B	28	355 354 1312	123.191		003A	6
395 353 0277	169.827		002	33	355 354 1312	123.191		007A	6
346 353 0085	146.312	81 35610 0011	005B	3	355 354 1512	123.239		004A	6
346 353 0385	145.378	81 35610 0016	005A	11	355 354 2712	123.238		003B	6
355 353 0085	146.313	81 35610 0013	001B	3	355 354 2712	123.238		007B	6
355 353 0285	146.530		001B	3	305 354 0217	157.651		004A	8
346 353 0090			005A	3	305 354 0317	157.648		003A	8
355 353 0391			001A	3	346 354 0417	157.050	81 35113 0019	008A	8
346 354 0909	150.095	81 35114 0020	004A	4	346 354 0517	157.653	81 35113 0027	007A	8
346 354 0909	150.095	81 35114 0020	008A	4	346 354 1717	157.655		008B	8
346 354 1009	150.096		003A	4	346 354 1917	157.654		007B	8
346 354 1009	150.096		007A	4	355 354 0317	157.647	81 35113 0017	003A	8
346 354 1109	150.043	81 35114 0034	004A	4	355 354 0417	157.650	81 35113 0018	004A	8
346 354 1109	150.043	81 35114 0034	008A	4	355 354 1817	157.652		004B	8
346 354 3009	150.129		004A	4	355 354 2117	157.649		003B	8
346 354 3009	150.129		008A	4	346 354 1362	169.563	81 90711 0641	003A	12
346 354 3109	150.130		004A	4	346 354 1362	169.563	81 90711 0641	003B	12
346 354 3109	150.130		008A	4	346 354 1362	169.563	81 90711 0641	004A	12
346 354 4209	150.154		004B	4	346 354 1362	169.563	81 90711 0641	004B	12
346 354 4209	150.154		008B	4	346 354 1362	169.563	81 90711 0641	007A	12
346 354 4309	150.153		004B	4	346 354 1362	169.563	81 90711 0641	007B	12
346 354 4309	150.153		008B	4	346 354 1362	169.563	81 90711 0641	008A	12
355 354 0709	150.148	81 35114 0019	003A	4	346 354 1362	169.563	81 90711 0641	008B	12
355 354 0709	150.148	81 35114 0019	007A	4	355 354 0162	169.562	81 90711 0546	003A	10
355 354 1809	150.125		003A	4	355 354 0162	169.562	81 90711 0546	003B	10
355 354 1809	150.125		007A	4	355 354 0162	169.562	81 90711 0546	004A	10
355 354 1909	150.149		003A	4	355 354 0162	169.562	81 90711 0546	004B	10
355 354 1909	150.149		007A	4	355 354 0162	169.562	81 90711 0546	007A	10
355 354 2409	150.151		003B	4	355 354 0162	169.562	81 90711 0546	007B	10
355 354 2409	150.151		007B	4	355 354 0162	169.562	81 90711 0546	008A	10
355 354 2509	150.150		003B	4	355 354 0162	169.562	81 90711 0546	008B	10
355 354 2509	150.150		007B	4	355 354 0362	See	346 336 0062		
346 354 0412	123.132	81 35111 0011	004A	6	355 354 0462	See	346 354 1362		
346 354 0412	123.132	81 35111 0011	008A	6	346 356 0315	See	346 356 1415		
346 354 0512	123.149		003A	6	346 356 1415	139.198	81 35710 0094	003A	1
346 354 0512	123.149		007A	6	346 356 1415	139.198	81 35710 0094	003B	1
346 354 1412	123.205		004A	6	346 356 1415	139.198	81 35710 0094	004A	1
346 354 1412	123.205		008A	6	346 356 1415	139.198	81 35710 0094	004B	1
346 354 2612	123.240		004B	6	346 356 1415	139.198	81 35710 0094	007A	1
346 354 2612	123.240		008B	6	346 356 1415	139.198	81 35710 0094	007B	1
355 354 0312	123.235	81 35111 0009	003A	6	346 356 1415	139.198	81 35710 0094	008A	1
355 354 0412	123.241	81 35111 0010	004A	6	346 356 1415	139.198	81 35710 0094	008B	1

All original equipment manufacturers numbers, symbols, pictures, models and description used in this catalogue are for reference only, and it is not implied that any part listed is the product of these manufactures.
Tutti i nostri particolari non sono originali ma con essi intercambiabili. I riferimenti originali, le figure, i modelli sono esposti a semplice titolo indicativo. La nostra produzione riporta il nostro marchio.

MB Index

MB no.	CEI no.	M.A.N. no.	Tav.	Fig.	MB no.	CEI no.	M.A.N. no.	Tav.	Fig.
355 356 0815		81 35710 0046	003A	1	658 357 0601	170.132	81 35502 0084	007A	2
355 356 0915	See	355 356 1215			658 357 0601	170.132	81 35502 0084	008A	2
355 356 1215	169.523	81 35710 0093	003A	1	658 357 0701	170.028	81 35502 0083	007A	3
355 356 1215	169.523	81 35710 0093	003B	1	658 357 0701	170.028	81 35502 0083	008A	3
355 356 1215	169.523	81 35710 0093	004A	1	658 357 0801	170.140		007B	2
355 356 1215	169.523	81 35710 0093	004B	1	658 357 0801	170.140		008B	2
355 356 1215	169.523	81 35710 0093	007A	1	658 357 0901	170.141		007B	3
355 356 1215	169.523	81 35710 0093	007B	1	658 357 0901	170.141		008B	3
355 356 1215	169.523	81 35710 0093	008A	1	659 357 1001	170.130		003B	2
355 356 1215	169.523	81 35710 0093	008B	1	659 357 1001	170.130		004B	2
355 356 0126	See	942 356 0026			659 357 1101	170.131		003B	3
674 356 0226	187.622	06 12114 0122	005A	32	659 357 1101	170.131		004B	3
942 356 0026	187.535	81 90620 0048	003A	14	000 586 0735	See	001 981 5087		
942 356 0026	187.535	81 90620 0048	003B	14	346 586 0135	198.257	81 35112 6006	008A	13B
942 356 0026	187.535	81 90620 0048	004A	14	355 586 0035	See	355 350 0354		
942 356 0026	187.535	81 90620 0048	004B	14	387 586 0035	198.128		005B	20
942 356 0026	187.535	81 90620 0048	007A	14	387 586 0035	198.128		006	26
942 356 0026	187.535	81 90620 0048	007B	14	393 586 0035	198.365		001B	20
942 356 0026	187.535	81 90620 0048	008A	14	393 586 0035	198.365		002	27
942 356 0026	187.535	81 90620 0048	008B	14	308676 012022	187.624	06 01734 4321	005A	44
346 356 0073	169.841		003A	9	001 980 0502	See	002 981 4505		
346 356 0073	169.841		003B	9	002 981 4505	130.324	06 32499 0088	006	5
346 356 0073	169.841		004A	9	002 981 4505	130.324	06 32499 0088	011	5
346 356 0073	169.841		004B	9	003 981 0605	See	002 981 4505		
355 356 0173	107.073	81 90801 0224	003A	9	003 981 2905	See	003 981 3105		
355 356 0173	107.073	81 90801 0224	003B	9	003 981 3005	See	003 981 3205		
355 356 0173	107.073	81 90801 0224	004A	9	003 981 3105	130.598	06 32499 0082	005B	5
355 356 0173	107.073	81 90801 0224	004B	9	003 981 3105	130.598	06 32499 0082	006	7
355 356 0173	107.073	81 90801 0224	007A	9	003 981 3205	130.599	06 32499 0131	005B	31
355 356 0173	107.073	81 90801 0224	007B	9	003 981 3205	130.599	06 32499 0131	006	11
355 356 0173	107.073	81 90801 0224	008A	9	003 981 4105	130.319	06 32499 0108	001B	32
355 356 0173	107.073	81 90801 0224	008B	9	003 981 4105	130.319	06 32499 0108	002	10
307 357 0001	See	659 357 1001			003 981 6905	See	003 981 7005		
346 357 0601	See	658 357 0701			003 981 7005	130.318	06 32499 0095	001B	5
346 357 1701	See	658 357 0601			003 981 7005	130.318	06 32499 0095	002	7
346 357 1801	See	658 357 0701			003 981 7005	130.318	06 32499 0095	005B	4
346 357 2801	See	658 357 0801			003 981 7805	130.317	06 32499 0093	001B	4
346 357 2901	See	658 357 0901			003 981 8005	See	003 981 7805		
355 357 0701	170.127	81 35502 0029	003A	2	003 981 8205	See	003 981 4105		
355 357 0701	170.127	81 35502 0029	004A	2	003 981 8805	See	003 981 9005		
355 357 0801	170.128	81 35502 0030	003A	3	003 981 8905	See	003 981 9005		
355 357 0801	170.128	81 35502 0030	004A	3	003 981 9005	130.320	06 32499 0071	002	5
355 357 1001	170.129	81 35502 0037	003A	3	005 981 0505	See	003 981 7005		

Date

05 / 2004

Table

Index

MB no.	CEI no.	M.A.N. no.	Tav.	Fig.	MB no.	CEI no.	M.A.N. no.	Tav.	Fig.
005 981 3605	See	003 981 7005			942 990 1004	187.634	06 02202 4212	001A	44
005 981 4705	See	003 981 4105			942 990 1704	See	308676 012022		
005 981 4805	See	003 981 7005			346 994 0339	See	346 994 0439		
006 981 8805	See	003 981 4105			346 994 0439	169.831		003A	5
008 981 0305	See	003 981 3205			346 994 0439	169.831		003B	5
008 981 0405	See	003 981 3105			346 994 0439	169.831		004A	5
011 981 0105	See	003 981 7005			346 994 0439	169.831		004B	5
013 981 6205	See	002 981 4505			346 994 0439	169.831		007A	5
000 981 4118	See	003 981 7005			346 994 0439	169.831		007B	5
000 981 4218	See	003 981 3205			346 994 0439	169.831		008A	5
000 981 4318	See	003 981 3105			346 994 0439	169.831		008B	5
000 981 4518	See	003 981 4105			007 997 8146	See	017 997 2647		
000 981 4618	See	003 981 7805			007 997 9946	See	017 997 2847		
002 981 8125	130.597	06 31420 0302	001A	34	008 997 2246	See	017 997 3047		
002 981 8125	130.597	06 31420 0302	009A	27	009 997 0446	See	017 997 2747		
003 981 4925	130.596	06 31420 0602	001A	31	009 997 0646	See	017 997 2547		
003 981 4925	130.596	06 31420 0602	009A	24	009 997 0746	See	017 997 7947		
005 981 5925	130.323	06 31420 0402	005A	34	009 997 1246	See	017 997 2947		
005 981 6025	See	005 981 5925			009 997 1546	See	017 997 3047		
000 981 7887	See	001 981 2287			009 997 9146	See	020 997 0647		
001 981 2287	171.028		003A	11	010 997 3646	See	017 997 2947		
001 981 2287	171.028		004A	11	007 997 3847	See	017 997 2547		
001 981 5087	171.059		003B	11	007 997 3947	See	017 997 2747		
001 981 5087	171.059		004B	11	007 997 4747	See	017 997 3147		
001 981 5087	171.059		007B	11	007 997 5147	See	017 997 3147		
001 981 5087	171.059		008B	11	007 997 9847	See	017 997 2547		
387 981 0087	See	001 981 5087			008 997 0047	See	017 997 7947		
387 981 0187	171.058		003A	11	008 997 0347	See	017 997 2547		
387 981 0187	171.058		004A	11	008 997 7647	See	017 997 7947		
387 981 0187	171.058		007A	11	011 997 7047	See	020 997 0647		
387 981 0187	171.058		008A	11	012 997 2347	See	017 997 7947		
395 981 0287	198.911		001B	25	012 997 4447	See	017 997 7947		
395 981 0287	198.911		002	30	015 997 4747	139.589		006	4
346 990 1301	See	346 990 3101			017 997 2547	139.564	06 56289 0349	001A	5
346 990 3001	See	346 990 3101			017 997 2547	139.564	06 56289 0349	009A	4
346 990 3101	187.630	81 90490 0331	005B	38	017 997 2647	139.578	06 56279 0327	001A	36
346 990 3101	187.630	81 90490 0331	006	38	017 997 2647	139.578	06 56279 0327	009A	29
346 990 3201	See	346 990 3101			017 997 2747	139.577	06 56279 0323	001A	35
383 990 0601	See	383 990 0701			017 997 2747	139.577	06 56279 0323	009A	28
383 990 0701	187.629	06 02819 0002	001B	38	017 997 2847	139.585	06 56289 0361	005A	4
383 990 0701	187.629	06 02819 0002	002	40	017 997 2947	139.586	06 56289 0357	005A	5
355 990 0204	See	383 990 0701			017 997 3047	139.588	06 56279 0335	005A	36
355 990 1104	See	383 990 0701			017 997 3147	139.587	06 56279 0331	005A	35

All original equipment manufacturers numbers, symbols, pictures, models and description used in this catalogue are for reference only, and it is not implied that any part listed is the product of these manufactures.
Tutti i nostri particolari non sono originali ma con essi intercambiabili. I riferimenti originali, le figure, i modelli sono esposti a semplice titolo indicativo. La nostra produzione riporta il nostro marchio.

CEI no.	MB no.	M.A.N. no.	Tav. Fig.	CEI no.	MB no.	M.A.N. no.	Tav. Fig.
105.079	346 353 0335	81 35611 0006	005A 8	122.064	355 353 0315	81 35106 0028	001B 8
105.086	355 353 0235	81 35611 0007	001A 8	122.064	355 353 0315	81 35106 0028	001B 14
105.160	355 353 0935	81 35611 0017	001A 20	122.064	355 353 0315	81 35106 0028	002 17
105.160	355 353 0935	81 35611 0017	009A 9	122.064	355 353 0315	81 35106 0028	002 25
105.161	346 353 0735	81 35611 0016	005A 20	122.072	355 353 0215	81 35618 0003	001A 19
107.073	355 356 0173	81 90801 0224	003A 9	122.072	355 353 0215	81 35618 0003	009A 22
107.073	355 356 0173	81 90801 0224	003B 9	122.076	346 353 0815	81 35106 0036	005B 8
107.073	355 356 0173	81 90801 0224	004A 9	122.076	346 353 0815	81 35106 0036	005B 26
107.073	355 356 0173	81 90801 0224	004B 9	122.076	346 353 0815	81 35106 0036	006 16
107.073	355 356 0173	81 90801 0224	007A 9	122.076	346 353 0815	81 35106 0036	006 32
107.073	355 356 0173	81 90801 0224	007B 9	122.088	346 353 1115	81 35617 0002	005A 29
107.073	355 356 0173	81 90801 0224	008A 9	122.098		81 35106 0037	011 11
107.073	355 356 0173	81 90801 0224	008B 9	122.103	355 353 0815	81 35106 0038	001B 14
115.006	346 353 3251	81 90713 0835	005B 14	122.103	355 353 0815	81 35106 0038	002 25
115.006	346 353 3251	81 90713 0835	005B 22	122.104	355 353 0615	81 35106 0042	001B 22
115.006	346 353 3251	81 90713 0835	006 20	122.104	355 353 0615	81 35106 0042	002 34
115.006	346 353 3251	81 90713 0835	006 28	122.105	355 353 1115		001A 29
115.010	355 353 6051	81 90712 0550	001B 16	122.109		81 35106 0040	009B 12
115.010	355 353 6051	81 90712 0550	002 21	122.109		81 35106 0040	010 12
115.025	395 353 0551		001B 24	123.132	346 354 0412	81 35111 0011	004A 6
115.025	395 353 0551		002 29	123.132	346 354 0412	81 35111 0011	008A 6
117.083	346 353 0950	81 93020 0971	005B 15	123.149	346 354 0512		003A 6
117.083	346 353 0950	81 93020 0971	005B 23	123.149	346 354 0512		007A 6
117.083	346 353 0950	81 93020 0971	006 21	123.191	355 354 1312		003A 6
117.083	346 353 0950	81 93020 0971	006 29	123.191	355 354 1312		007A 6
117.235	346 353 0450	81 93020 0568	005A 12	123.205	346 354 1412		004A 6
117.236	346 353 0650	81 93020 0569	005A 17	123.205	346 354 1412		008A 6
117.253	355 353 0750	81 93020 0846	001B 17	123.235	355 354 0312	81 35111 0009	003A 6
117.253	355 353 0750	81 93020 0846	002 22	123.236	355 354 1212		003A 6
117.277	355 353 0950	81 93020 0678	001A 12	123.238	355 354 2712		003B 6
117.277	355 353 0950	81 93020 0678	009A 13	123.238	355 354 2712		007B 6
117.278	355 353 1050	81 93020 0679	001A 17	123.239	355 354 1512		004A 6
117.278	355 353 1050	81 93020 0679	009A 20	123.240	346 354 2612		004B 6
117.300	659 353 0050	81 93021 0219	005A 25	123.240	346 354 2612		008B 6
117.352	653 353 0050	81 93021 0218	001A 25	123.241	355 354 0412	81 35111 0010	004A 6
117.352	653 353 0050	81 93021 0218	009A 17	130.317	003 981 7805	06 32499 0093	001B 4
117.353	395 353 0351		001B 26	130.318	003 981 7005	06 32499 0095	001B 5
117.353	395 353 0351		002 31	130.318	003 981 7005	06 32499 0095	002 7
122.005	346 353 0315	81 35106 0027	005B 8	130.318	003 981 7005	06 32499 0095	005B 4
122.005	346 353 0315	81 35106 0027	005B 18	130.319	003 981 4105	06 32499 0108	001B 32
122.005	346 353 0315	81 35106 0027	006 16	130.319	003 981 4105	06 32499 0108	002 10
122.005	346 353 0315	81 35106 0027	006 24	130.320	003 981 9005	06 32499 0071	002 5
122.059	346 353 0515	81 35617 0001	005A 19	130.321	000625 920066	06 31421 4603	005A 7

All original equipment manufacturers numbers, symbols, pictures, models and description used in this catalogue are for reference only, and it is not implied that any part listed is the product of these manufactures.
Tutti i nostri particolari non sono originali ma con essi intercambiabili. I riferimenti originali, le figure, i modelli sono esposti a semplice titolo indicativo. La nostra produzione riporta il nostro marchio.

CEI Index

CEI no.	MB no.	M.A.N. no.	Tav.	Fig.	CEI no.	MB no.	M.A.N. no.	Tav.	Fig.
130.322	000000 000759	06 31421 0803	005A	31	133.129	395 353 0320		002	28
130.323	005 981 5925	06 31420 0402	005A	34	133.130		81 35608 0020	009B	13
130.324	002 981 4505	06 32499 0088	006	5	133.130		81 35608 0020	010	13
130.324	002 981 4505	06 32499 0088	011	5	135.149	355 350 0745	81 39115 5026	001A	2
130.325		06 32499 0132	011	6	139.198	346 356 1415	81 35710 0094	003A	1
130.326		06 32589 0052	011	8	139.198	346 356 1415	81 35710 0094	003B	1
130.595	000625 920067	06 31420 4502	001A	7	139.198	346 356 1415	81 35710 0094	004A	1
130.595	000625 920067	06 31420 4502	009A	6	139.198	346 356 1415	81 35710 0094	004B	1
130.596	003 981 4925	06 31420 0602	001A	31	139.198	346 356 1415	81 35710 0094	007A	1
130.596	003 981 4925	06 31420 0602	009A	24	139.198	346 356 1415	81 35710 0094	007B	1
130.597	002 981 8125	06 31420 0302	001A	34	139.198	346 356 1415	81 35710 0094	008A	1
130.597	002 981 8125	06 31420 0302	009A	27	139.198	346 356 1415	81 35710 0094	008B	1
130.598	003 981 3105	06 32499 0082	005B	5	139.563	017 997 7947	06 56289 0353	001A	4
130.598	003 981 3105	06 32499 0082	006	7	139.563	017 997 7947	06 56289 0353	009A	3
130.599	003 981 3205	06 32499 0131	005B	31	139.564	017 997 2547	06 56289 0349	001A	5
130.599	003 981 3205	06 32499 0131	006	11	139.564	017 997 2547	06 56289 0349	009A	4
130.600		06 32499 0087	009B	4	139.577	017 997 2747	06 56279 0323	001A	35
130.600		06 32499 0087	010	4	139.577	017 997 2747	06 56279 0323	009A	28
130.601		06 32489 0069	009B	6	139.578	017 997 2647	06 56279 0327	001A	36
130.601		06 32489 0069	010	6	139.578	017 997 2647	06 56279 0327	009A	29
130.602		06 32499 0188	009B	9	139.579	355 353 0152	81 90701 0717	001B	36
130.602		06 32499 0188	010	9	139.579	355 353 0152	81 90701 0717	002	38
130.603		06 32489 0071	009B	17	139.580	355 353 0552	81 90701 0731	001B	36
130.603		06 32489 0071	010	17	139.580	355 353 0552	81 90701 0731	002	38
130.604		06 32609 0064	009B	22	139.581	355 353 0652	81 90701 0732	001B	36
130.604		06 32609 0064	010	21	139.581	355 353 0652	81 90701 0732	002	38
133.013	346 353 0420	81 35107 0024	005B	13	139.584	020 997 0647	06 56279 0362	002	4
133.013	346 353 0420	81 35107 0024	005B	21	139.585	017 997 2847	06 56289 0361	005A	4
133.013	346 353 0420	81 35107 0024	006	19	139.586	017 997 2947	06 56289 0357	005A	5
133.013	346 353 0420	81 35107 0024	006	27	139.587	017 997 3147	06 56279 0331	005A	35
133.024	346 350 0228	81 35107 6014	005B	7	139.588	017 997 3047	06 56279 0335	005A	36
133.024	346 350 0228	81 35107 6014	006	13	139.589	015 997 4747		006	4
133.056	355 353 0620	81 35608 0016	001B	13	139.590		06 56289 0266	011	4
133.056	355 353 0620	81 35608 0016	002	20	141.144	355 353 0234	81 35614 0001	001A	42
133.060	346 350 0128	81 35608 5001	005A	14	141.144	355 353 0234	81 35614 0001	005A	42
133.061	355 350 0128	81 35608 6001	001A	14	141.144	355 353 0234	81 35614 0001	009A	7
133.108	659 353 0020	81 35608 0025	005A	23	145.378	346 353 0385	81 35610 0016	005A	11
133.123		81 35608 0021	011	12	145.379	355 350 0124	81 35610 0017	001A	11
133.127	308 353 0020	81 35107 0020	001B	7	145.699	355 350 0324		001A	11
133.127	308 353 0020	81 35107 0020	002	14	145.711	355 350 1415	81 35610 0030	001A	22
133.128	653 353 0020	81 35608 0024	001A	23	145.712	355 350 0624		001A	22
133.128	653 353 0020	81 35608 0024	009A	15	145.713	346 350 1324	81 35610 0031	005A	22
133.129	395 353 0320		001B	21	145.715		81 35610 0026	009A	12

Date

05 / 2003

Table

Index

CEI no.	MB no.	M.A.N. no.	Tav.	Fig.	CEI no.	MB no.	M.A.N. no.	Tav.	Fig.
145.716		81 35610 0029	009A	12	155.213		81 39115 5067	009A	2
146.312	346 353 0085	81 35610 0011	005B	3	157.050	346 354 0417	81 35113 0019	008A	8
146.313	355 353 0085	81 35610 0013	001B	3	157.647	355 354 0317	81 35113 0017	003A	8
146.530	355 353 0285		001B	3	157.648	305 354 0317		003A	8
146.531		81 35610 0025	009B	3	157.649	355 354 2117		003B	8
150.043	346 354 1109	81 35114 0034	004A	4	157.650	355 354 0417	81 35113 0018	004A	8
150.043	346 354 1109	81 35114 0034	008A	4	157.651	305 354 0217		004A	8
150.095	346 354 0909	81 35114 0020	004A	4	157.652	355 354 1817		004B	8
150.095	346 354 0909	81 35114 0020	008A	4	157.653	346 354 0517	81 35113 0027	007A	8
150.096	346 354 1009		003A	4	157.654	346 354 1917		007B	8
150.096	346 354 1009		007A	4	157.655	346 354 1717		008B	8
150.125	355 354 1809		003A	4	169.136	346 353 0124	81 90711 0535	005B	11
150.125	355 354 1809		007A	4	169.136	346 353 0124	81 90711 0535	005B	17
150.129	346 354 3009		004A	4	169.136	346 353 0124	81 90711 0535	005B	25
150.129	346 354 3009		008A	4	169.136	346 353 0124	81 90711 0535	006	15
150.130	346 354 3109		004A	4	169.136	346 353 0124	81 90711 0535	006	23
150.130	346 354 3109		008A	4	169.136	346 353 0124	81 90711 0535	006	31
150.148	355 354 0709	81 35114 0019	003A	4	169.137	346 353 2262	81 35613 0043	005B	9
150.148	355 354 0709	81 35114 0019	007A	4	169.137	346 353 2262	81 35613 0043	005B	19
150.149	355 354 1909		003A	4	169.137	346 353 2262	81 35613 0043	005B	27
150.149	355 354 1909		007A	4	169.137	346 353 2262	81 35613 0043	006	17
150.150	355 354 2509		003B	4	169.137	346 353 2262	81 35613 0043	006	25
150.150	355 354 2509		007B	4	169.137	346 353 2262	81 35613 0043	006	33
150.151	355 354 2409		003B	4	169.245	346 336 0062	81 90711 0640	003A	7
150.151	355 354 2409		007B	4	169.245	346 336 0062	81 90711 0640	003B	7
150.153	346 354 4309		004B	4	169.245	346 336 0062	81 90711 0640	004A	7
150.153	346 354 4309		008B	4	169.245	346 336 0062	81 90711 0640	004B	7
150.154	346 354 4209		004B	4	169.245	346 336 0062	81 90711 0640	007A	7
150.154	346 354 4209		008B	4	169.245	346 336 0062	81 90711 0640	007B	7
154.146	346 353 0836	81 35612 0007	005A	9	169.245	346 336 0062	81 90711 0640	008A	7
154.160	355 353 0736	81 35612 0012	001A	9	169.245	346 336 0062	81 90711 0640	008B	7
154.160	355 353 0736	81 35612 0012	009A	10	169.496	346 353 0224	81 90701 0721	005A	16
154.319	355 353 1236	81 35612 0014	001A	21	169.496	346 353 0224	81 90701 0721	005A	27
154.319	355 353 1236	81 35612 0014	009A	10	169.497	346 353 2462	81 35204 0031	005A	30
154.320	346 353 1136	81 35612 0015	005A	21	169.523	355 356 1215	81 35710 0093	003A	1
155.070	346 350 0645		006	3	169.523	355 356 1215	81 35710 0093	003B	1
155.071	346 350 0545	81 39115 5029	005A	2	169.523	355 356 1215	81 35710 0093	004A	1
155.071	346 350 0545	81 39115 5029	006	3	169.523	355 356 1215	81 35710 0093	004B	1
155.086	346 350 0445	81 39115 5030	006	3	169.523	355 356 1215	81 35710 0093	007A	1
155.194	355 353 2245		002	3	169.523	355 356 1215	81 35710 0093	007B	1
155.195	305 353 0345	81 39115 0085	002	3	169.523	355 356 1215	81 35710 0093	008A	1
155.196	355 353 2345		001A	2	169.523	355 356 1215	81 35710 0093	008B	1
155.211	355 353 1445	81 39115 0086	002	3	169.524	346 353 1762	81 35204 0022	005A	10

All original equipment manufacturers numbers, symbols, pictures, models and description used in this catalogue are for reference only, and it is not implied that any part listed is the product of these manufactures.
Tutti i nostri particolari non sono originali ma con essi intercambiabili. I riferimenti originali, le figure, i modelli sono esposti a semplice titolo indicativo. La nostra produzione riporta il nostro marchio.

CEI Index

CEI no.	MB no.	M.A.N. no.	Tav. Fig.	CEI no.	MB no.	M.A.N. no.	Tav. Fig.
169.525	346 353 2562	81 35204 0032	005A 30	169.792		81 35613 0040	011 10
169.562	355 354 0162	81 90711 0546	003A 10	169.793		81 90701 0931	011 14
169.562	355 354 0162	81 90711 0546	003B 10	169.807	308 353 0062	81 35613 0034	001B 9
169.562	355 354 0162	81 90711 0546	004A 10	169.807	308 353 0062	81 35613 0034	001B 15
169.562	355 354 0162	81 90711 0546	004B 10	169.807	308 353 0062	81 35613 0034	001B 23
169.562	355 354 0162	81 90711 0546	007A 10	169.807	308 353 0062	81 35613 0034	002 18
169.562	355 354 0162	81 90711 0546	007B 10	169.807	308 353 0062	81 35613 0034	002 26
169.562	355 354 0162	81 90711 0546	008A 10	169.807	308 353 0062	81 35613 0034	002 35
169.562	355 354 0162	81 90711 0546	008B 10	169.821	355 353 2562	81 35204 0029	001A 10
169.563	346 354 1362	81 90711 0641	003A 12	169.821	355 353 2562	81 35204 0029	009A 11
169.563	346 354 1362	81 90711 0641	003B 12	169.822	653 353 0051	81 91710 0442	001A 24
169.563	346 354 1362	81 90711 0641	004A 12	169.822	653 353 0051	81 91710 0442	009A 16
169.563	346 354 1362	81 90711 0641	004B 12	169.823	355 353 2462		001A 30
169.563	346 354 1362	81 90711 0641	007A 12	169.824	355 353 2662		001A 30
169.563	346 354 1362	81 90711 0641	007B 12	169.825	070952 055102	06 16130 0121	001A 33
169.563	346 354 1362	81 90711 0641	008A 12	169.825	070952 055102	06 16130 0121	009A 26
169.563	346 354 1362	81 90711 0641	008B 12	169.827	395 353 0277		001B 28
169.581	494 335 0075	81 90701 0727	001B 11	169.827	395 353 0277		002 33
169.581	494 335 0075	81 90701 0727	001B 19	169.828	355 353 0129	81 35730 0017	002 6
169.581	494 335 0075	81 90701 0727	002 16	169.829	070952 060102	06 16130 0122	005A 33
169.581	494 335 0075	81 90701 0727	002 24	169.830	000472 240000		003A 5
169.582	355 353 0176	81 90701 0722	001A 16	169.830	000472 240000		007A 5
169.582	355 353 0176	81 90701 0722	001A 27	169.831	346 994 0439		003A 5
169.582	355 353 0176	81 90701 0722	009A 19	169.831	346 994 0439		003B 5
169.589	355 353 0562	81 35613 0026	001B 9	169.831	346 994 0439		004A 5
169.589	355 353 0562	81 35613 0026	001B 15	169.831	346 994 0439		004B 5
169.589	355 353 0562	81 35613 0026	001B 23	169.831	346 994 0439		007A 5
169.589	355 353 0562	81 35613 0026	002 18	169.831	346 994 0439		007B 5
169.589	355 353 0562	81 35613 0026	002 26	169.831	346 994 0439		008A 5
169.589	355 353 0562	81 35613 0026	002 35	169.831	346 994 0439		008B 5
169.636	346 353 1862	81 35204 0023	005A 10	169.832	000472 230000		004A 5
169.637	346 353 1962	81 35204 0024	005A 10	169.832	000472 230000		008A 5
169.668	355 353 2062	81 35204 0020	001A 10	169.833	346 353 0952	81 90701 0711	005B 35
169.668	355 353 2062	81 35204 0020	009A 11	169.833	346 353 0952	81 90701 0711	006 36
169.669	355 353 1962	81 35204 0019	001A 10	169.834	346 353 1352	81 90701 0733	005B 35
169.669	355 353 1962	81 35204 0019	009A 11	169.834	346 353 1352	81 90701 0733	006 36
169.670	355 353 1862	81 35204 0018	001A 10	169.835	346 353 1452	81 90701 0734	005B 35
169.670	355 353 1862	81 35204 0018	009A 11	169.835	346 353 1452	81 90701 0734	006 36
169.671	355 353 2262	81 35204 0034	001A 30	169.836	346 353 1429	81 35730 0018	006 6
169.671	355 353 2262	81 35204 0034	009A 23	169.837	346 353 1852		006 36
169.672	355 353 2362	81 35204 0036	001A 30	169.838	346 353 2252		006 36
169.672	355 353 2362	81 35204 0036	009A 23	169.839	346 353 2352		006 36
169.739	659 353 0051	81 91710 0444	005A 24	169.841	346 356 0073		003A 9

Date

05 / 2003

Table

Index

CEI no.	MB no.	M.A.N. no.	Tav. Fig.	CEI no.	MB no.	M.A.N. no.	Tav. Fig.
169.841	346 356 0073		003B 9	175.178	355 350 2533	81 35114 6075	003A 16
169.841	346 356 0073		004A 9	175.178	355 350 2533	81 35114 6075	004A 16
169.841	346 356 0073		004B 9	182.003	366 353 0414	81 35108 0044	005B 10
169.842		81 35613 0041	009B 11	182.003	366 353 0414	81 35108 0044	006 14
169.842		81 35613 0041	010 11	182.027	346 353 0614	81 35108 0053	005B 16
169.843		81 90701 0960	009B 15	182.027	346 353 0614	81 35108 0053	006 22
169.843		81 90701 0960	010 15	182.047	355 353 0214	81 35108 0048	001A 15
170.028	658 357 0701	81 35502 0083	007A 3	182.048	346 353 0514	81 35609 0006	005A 15
170.028	658 357 0701	81 35502 0083	008A 3	182.051	494 335 0214	81 35108 0049	001B 10
170.102	346 353 0435	81 35604 0006	005A 38	182.051	494 335 0214	81 35108 0049	001B 18
170.126	355 353 0135	81 35604 0007	001A 38	182.051	494 335 0214	81 35108 0049	002 15
170.127	355 357 0701	81 35502 0029	003A 2	182.051	494 335 0214	81 35108 0049	002 23
170.127	355 357 0701	81 35502 0029	004A 2	182.056	346 353 1014	81 35108 0085	005B 24
170.128	355 357 0801	81 35502 0030	003A 3	182.056	346 353 1014	81 35108 0085	006 30
170.128	355 357 0801	81 35502 0030	004A 3	182.063	659 353 0014	81 35609 0009	005A 26
170.129	355 357 1001	81 35502 0037	003A 3	182.070		81 35108 0066	011 13
170.130	659 357 1001		003B 2	182.075	653 353 0014	81 35609 0008	001A 26
170.130	659 357 1001		004B 2	182.075	653 353 0014	81 35609 0008	009A 18
170.131	659 357 1101		003B 3	182.076	355 353 0614	81 35108 0061	001B 18
170.131	659 357 1101		004B 3	182.076	355 353 0614	81 35108 0061	002 23
170.132	658 357 0601	81 35502 0084	007A 2	182.077	395 353 0114		001B 27
170.132	658 357 0601	81 35502 0084	008A 2	182.077	395 353 0114		002 32
170.135		81 35604 0020	009A 31	182.080	CEI 182080	81 35108 0059	005B 10
170.136		81 35502 0136	009B 23	182.080	CEI 182080	81 35108 0059	006 14
170.136		81 35502 0136	010 22	182.081		81 35108 0067	009B 14
170.137		81 35502 0137	009B 24	182.081		81 35108 0067	010 14
170.137		81 35502 0137	010 23	187.250	385 351 0672	81 90685 0311	001A 1
170.138		81 35502 0123	011 16	187.250	385 351 0672	81 90685 0311	001B 2
170.139		81 35502 0122	011 17	187.250	385 351 0672	81 90685 0311	002 2
170.140	658 357 0801		007B 2	187.250	385 351 0672	81 90685 0311	009A 1
170.140	658 357 0801		008B 2	187.250	385 351 0672	81 90685 0311	009B 2
170.141	658 357 0901		007B 3	187.250	385 351 0672	81 90685 0311	010 2
170.141	658 357 0901		008B 3	187.507	346 353 0126	81 90620 0047	005A 18
171.028	001 981 2287		003A 11	187.514	346 350 0443	81 35125 6010	005B 30
171.028	001 981 2287		004A 11	187.514	346 350 0443	81 35125 6010	006 10
171.058	387 981 0187		003A 11	187.515	652 353 0025	81 35125 0003	005B 32
171.058	387 981 0187		004A 11	187.515	652 353 0025	81 35125 0003	006 12
171.058	387 981 0187		007A 11	187.516	346 353 0825	81 90685 0054	005A 6
171.058	387 981 0187		008A 11	187.534	355 353 0026	81 90620 0049	001A 18
171.059	001 981 5087		003B 11	187.535	942 356 0026	81 90620 0048	003A 14
171.059	001 981 5087		004B 11	187.535	942 356 0026	81 90620 0048	003B 14
171.059	001 981 5087		007B 11	187.535	942 356 0026	81 90620 0048	004A 14
171.059	001 981 5087		008B 11	187.535	942 356 0026	81 90620 0048	004B 14

All original equipment manufacturers numbers, symbols, pictures, models and description used in this catalogue are for reference only, and it is not implied that any part listed is the product of these manufactures.
Tutti i nostri particolari non sono originali ma con essi intercambiabili. I riferimenti originali, le figure, i modelli sono esposti a semplice titolo indicativo. La nostra produzione riporta il nostro marchio.

CEI Index

CEI no.	MB no.	M.A.N. no.	Tav. Fig.	CEI no.	MB no.	M.A.N. no.	Tav. Fig.
187.535	942 356 0026	81 90620 0048	007A 14	194.287	346 350 1839	81 35199 6300	006 8
187.535	942 356 0026	81 90620 0048	007B 14	194.288	346 350 3139	81 35199 6347	005B 6
187.535	942 356 0026	81 90620 0048	008A 14	194.290	371 350 0139	81 35199 6304	002 8
187.535	942 356 0026	81 90620 0048	008B 14	194.291	944 350 0739	81 35199 6317	001B 6
187.536	946 351 0072	81 90685 0303	005A 1	194.292	355 350 4739	81 35199 6555	002 8
187.536	946 351 0072	81 90685 0303	005B 2	194.295	355 350 4639	81 35199 6556	002 8
187.536	946 351 0072	81 90685 0303	006 2	194.333	355 350 4039	81 35199 6316	001B 6
187.536	946 351 0072	81 90685 0303	011 2	194.334	355 350 3939	81 35199 6315	001B 6
187.615	355 353 0325	81 35125 0005	001A 6	194.335	346 350 2639	81 35199 6326	005B 6
187.615	355 353 0325	81 35125 0005	009A 5	194.336	346 350 2739	81 35199 6327	005B 6
187.616	355 353 0126	81 90620 0088	001A 28	194.356	355 350 3439	81 35199 6564	002 8
187.616	355 353 0126	81 90620 0088	009A 21	194.400	355 350 4339	81 35199 6314	001B 6
187.617	070852 055000	06 12114 0121	001A 32	194.418	357 350 0639	81 35199 6560	002 8
187.617	070852 055000	06 12114 0121	009A 25	194.419	346 350 8039	81 35199 6588	006 8
187.618	355 353 0225	81 35125 0007	001A 37	194.420	346 350 8139	81 35199 6566	005B 6
187.619	355 350 0343	81 35125 0004	001B 31	194.421	346 350 4439		006 8
187.619	355 350 0343	81 35125 0004	002 11	194.422	346 350 4639	81 35199 6586	006 8
187.620	371 353 0025	81 35125 0006	001B 33	194.546		81 35199 6500	009B 7
187.620	371 353 0025	81 35125 0006	002 12	194.547		81 35199 6499	009B 7
187.621	346 353 0326	81 90620 0087	005A 28	194.548		81 35199 6498	009B 7
187.622	674 356 0226	06 12114 0122	005A 32	194.549		81 35199 6497	009B 7
187.623	346 353 0925	81 90685 0053	005A 37	194.550		81 35199 6496	009B 7
187.624	308676 012022	06 01734 4321	005A 44	194.551		81 35199 6495	009B 7
187.628		81 35125 0028	009A 30	194.552		81 35199 6573	010 7
187.629	383 990 0701	06 02819 0002	001B 38	194.553		81 35199 6572	010 7
187.629	383 990 0701	06 02819 0002	002 40	194.554		81 35199 6489	010 7
187.630	346 990 3101	81 90490 0331	005B 38	194.555		81 35199 6570	010 7
187.630	346 990 3101	81 90490 0331	006 38	194.556		81 35199 6487	010 7
187.631		81 35125 0023	009B 8	194.557		81 35199 6486	010 7
187.631		81 35125 0023	010 8	194.601	346 350 2939	81 35199 6553	005B 6
187.632		06 01494 4419	009B 18	194.605	355 350 4839	81 35199 6318	001B 6
187.632		06 01494 4419	010 18	194.644	355 350 4239	81 35199 6313	001B 6
187.633		06 02813 5012	009B 19	194.645	355 350 4939	81 35199 6375	001B 6
187.633		06 02813 5012	010 19	194.646	355 350 3539	81 35199 6308	002 8
187.634	942 990 1004	06 02202 4212	001A 44	194.647	357 350 0339	81 35199 6350	002 8
190.349	346 353 0535	81 35619 0003	001A 43	194.648		81 35199 6461	011 7
190.349	346 353 0535	81 35619 0003	005A 43	194.649	355 350 5039		002 8
190.349	346 353 0535	81 35619 0003	009A 8	194.650		81 35199 6460	011 7
194.126	346 350 1739	81 35199 6299	006 8	194.651	357 350 0739	81 35199 6558	002 8
194.131	346 350 5739	81 35199 6527	006 8	194.652		81 35199 6459	011 7
194.182	346 350 1939	81 35199 6552	006 8	194.653		81 35199 6458	011 7
194.183	346 350 5939	81 35199 6528	006 8	194.654		81 35199 6457	011 7
194.286	346 350 6139	81 35199 6325	005B 6	194.655		81 35199 6456	011 7

All original equipment manufacturers numbers, symbols, pictures, models and description used in this catalogue are for reference only, and it is not implied that any part listed is the product of these manufactures. Tutti i nostri particolari non sono originali ma con essi intercambiabili. I riferimenti originali, le figure, i modelli sono esposti a semplice titolo indicativo. La nostra produzione riporta il nostro marchio.

Date

05 / 2003

Table

Index

CEI no.	MB no.	M.A.N. no.	Tav.	Fig.	CEI no.	MB no.	M.A.N. no.	Tav.	Fig.
197.072		81 39115 5061	011	3	198.923	346 350 7433		004B	16
197.073	346 350 1445		005A	2	198.923	346 350 7433		008B	16
197.073	346 350 1445		006	3	198.924	355 350 1409		003B	17
198.128	387 586 0035		005B	20	198.924	355 350 1409		007B	17
198.128	387 586 0035		006	26	198.925	355 350 0254		004A	13A
198.257	346 586 0135	81 35112 6006	008A	13B	198.926	305 350 0354		004A	13A
198.365	393 586 0035		001B	20	198.927	CEI 198927	81 35112 6003	004A	13B
198.365	393 586 0035		002	27	198.928	355 350 0809		004A	17
198.450	346 350 0654		008A	13A	198.929	305 350 0109		004A	17
198.532	387 350 9823	81 35100 6266	001A	39	198.930	653 350 0054		004B	13
198.557	387 350 0040		005B	28	198.930	653 350 0054		008B	13
198.557	387 350 0040		006	34	198.931	346 350 1709		004B	17
198.581	346 350 1533	81 35114 6038	003A	16	198.931	346 350 1709		008B	17
198.581	346 350 1533	81 35114 6038	004A	16	198.932	355 350 1509		003B	17
198.581	346 350 1533	81 35114 6038	007A	16	198.932	355 350 1509		007B	17
198.581	346 350 1533	81 35114 6038	008A	16	198.933	355 350 5133		003B	16
198.618	343 350 1023	81 35100 6345	005A	39	198.933	355 350 5133		004B	16
198.652	346 350 0554		007A	13	198.933	355 350 5133		007B	16
198.700	355 350 0354		003A	13A	198.933	355 350 5133		008B	16
198.799		81 35107 6020	011	15	198.934	355 350 1009		003A	17
198.859	CEI 198859	81 35107 6001	001B	12	198.934	355 350 1009		007A	17
198.859	CEI 198859	81 35107 6001	002	19	198.935	355 350 3433		003A	16
198.889	343 350 0923		005A	40	198.935	355 350 3433		004A	16
198.905	658 350 0023		001A	39	198.936	355 350 1209		004A	17
198.906	658 350 0223		001A	40	198.937	346 350 0609		007A	17
198.907	658 350 0323		001A	40	198.938	346 350 3033		007A	16
198.908		81 35107 6021	001A	41	198.938	346 350 3033		008A	16
198.909	395 350 0040		001B	29	198.939	355 350 7533		007B	16
198.909	395 350 0040		002	36	198.940	346 350 1209		008A	17
198.910	393 350 0040		001B	20	198.941	346 350 0709		008A	17
198.910	393 350 0040		002	27	198.942	346 350 1809		004B	17
198.911	395 981 0287		001B	25	198.942	346 350 1809		008B	17
198.911	395 981 0287		002	30	198.946		81 35107 6023	009A	32
198.912	CEI 198912	81 35107 6022	005A	41	198.947		CEI 198947	009A	33
198.915	CEI 198915	81 35107 6008	005B	12	198.948		81 35107 6019	009B	16
198.915	CEI 198915	81 35107 6008	006	18	198.948		81 35107 6019	010	16
198.917	305 350 0454		003A	13A	199.046	346 350 8123	81 35100 6327	005B	29
198.918	CEI 198918	81 35112 6002	003A	13B	199.046	346 350 8123	81 35100 6327	006	9
198.919	355 350 0709		003A	17	199.048	346 350 0427	81 35100 6361	005B	29
198.920	305 350 0209		003A	17	199.048	346 350 0427	81 35100 6361	006	9
198.921	651 350 0054		003B	13	199.053	387 350 1323	81 45100 6329	001B	30
198.921	651 350 0054		007B	13	199.053	387 350 1323	81 45100 6329	002	9
198.922	346 350 7533		003B	16	199.054	355 350 0227	81 35105 6030	001B	30

All original equipment manufacturers numbers, symbols, pictures, models and description used in this catalogue are for reference only, and it is not implied that any part listed is the product of these manufactures.
Tutti i nostri particolari non sono originali ma con essi intercambiabili. I riferimenti originali, le figure, i modelli sono esposti a semplice titolo indicativo. La nostra produzione riporta il nostro marchio.

CEI Index

CEI no.	MB no.	M.A.N. no.	Tav. Fig.	CEI no.	MB no.	M.A.N. no.	Tav. Fig.
199.054	355 350 0227	81 35105 6030	002 9				
199.062	355 350 1827	81 35100 6592	001A 13				
199.062	355 350 1827	81 35100 6592	009A 14				
199.081	346 350 2327	81 35199 6593	005A 13				
199.095	CEI 199095		001B 30				
199.095	CEI 199095		002 9				
199.096	387 350 5923		001B 30				
199.096	387 350 5923		002 9				
199.097	355 353 0408	81 35602 0010	001B 34				
199.098	355 353 0107	81 35601 0010	001B 35				
199.099	387 350 0020	81 35301 6063	001B 37				
199.099	387 350 0020	81 35301 6063	002 39				
199.100	355 353 0807	81 35601 0018	002 37				
199.101	346 350 6623		005B 29				
199.102	346 353 0208	81 35602 0009	005B 33				
199.103	346 353 0307	81 35601 0009	005B 34				
199.104	395 350 8820	81 35301 6094	005B 36				
199.105	CEI 199105	81 35100 6276	005B 29				
199.106	346 350 8223	81 35100 6336	006 9				
199.107	CEI 199107		006 9				
199.108	393 350 2623		006 9				
199.109	346 353 0807	81 35601 0020	006 35				
199.110	346 353 0907		006 35				
199.111	395 350 8720	81 35301 6093	006 37				
199.112	388 350 0262		006 37				
199.113	CEI 199113	81 35100 6360	006 9				
199.114		81 35100 6484	011 9				
199.115		81 35100 6485	011 9				
199.123		81 35601 0032	009B 5				
199.125		81 35100 6486	009B 10				
199.125		81 35100 6486	010 10				
199.126		81 35100 6487	009B 10				
199.126		81 35100 6487	010 10				
199.127		81 35602 0019	009B 20				
199.128		81 35301 6078	009B 21				

Date

05 / 2003

Table

Index