



MIRACLES OF HIGH FIDELITY



400.150

MERCEDES

Aluminum Gearboxes



CERTIFICATE



Certificato Nr 50 100 3413

Si attesta che / *This is to certify that*

IL SISTEMA QUALITÀ DI
THE QUALITY SYSTEM OF

C.E.I.

COSTRUZIONE EMILIANA INGRANAGGI SPA

VIA EMILIA 239

I-40011 ANZOLA EMILIA (BO)

È CONFORME AI REQUISITI DELLA NORMA
HAS BEEN FOUND TO CONFORM TO THE REQUIREMENTS OF

UNI EN ISO 9001:2000

Questo certificato è valido per il seguente campo di applicazione
This certificate is valid for the following product or service range

**Progettazione, produzione e assemblaggi di parti ed
accessori di ricambio per veicoli industriali (EA 22a)**

***Design, manufacture, and assembling of spare parts
and accessories for industrial vehicles (EA 22a)***

Data/date
2003-10-21

Lead Auditor: Roberto Cioni

Data di scadenza/Expiry date
2006-10-10

SINCERT
ACCREDITAMENTO ORGANISMI DI CERTIFICAZIONE E ISPEZIONE

SGO N° 049A
SGA N° 018D

Membro di MLA EA per gli schemi di accreditamento SGO, SGA, PRD e PRS
e di MLA IAF per gli schemi di accreditamento SGO, SGA e PRD
Signatory of EA MLA for the accreditation schemes QMS, EMS, Product and Personnel
and of IAF MLA for the accreditation schemes QMS, EMS and Product

Per l'Organismo di Certificazione
For the Certification Body
TÜV Italia S.r.l.
Cinisello Balsamo (MI)

Nico Mastrorillo
Management Representative



ELENCO CATALOGHI DISPONIBILI PER LE SEGUENTI GAMME DI NOSTRA PRODUZIONE

LIST OF THE AVAILABLE CATALOGUES FOR THE FOLLOWING PRODUCTION LINES
LISTE DES CATALOGUES DISPONIBLES POUR LES GAMMES DE PRODUCTION SUIVANTES
KATALOGE FÜR DIE FOLGENDEN PRODUKTION LINIEN
LISTADO DE LOS CATALOGOS PARA LAS LINEAS SIGUIENTES



400.001
IVECO



400.050
MERCEDES



400.055
M.A.N.



400.075
RENAULT V.I.



400.080
SCANIA



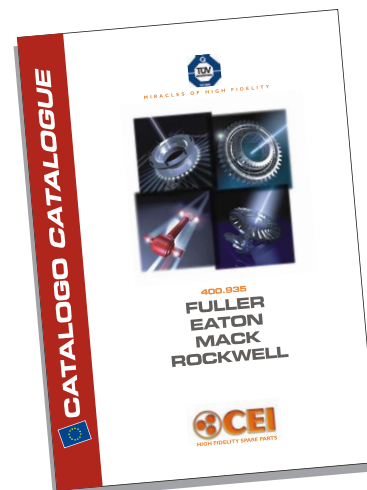
400.090
VOLVO



400.095
Z.F.



400.901
RICAMBI



400.935
FULLER, EATON, MACK, ROCKWELL



E' vietato a chiunque utilizzare le immagini ed i dati di questo catalogo per fini diversi dalla semplice consultazione. CEI perseguirà penalmente, nelle opportuni sedi giudiziarie, chi dovesse utilizzare servilmente, anche tramite semplice fotocopiatura, scanner ecc., le immagini di questo catalogo per propri fini.

It is forbidden to use pictures and data contained in this catalogue for aims other than reference purpose. CEI will prosecute those using the imaging contained here in for one's own purpose, even by means of photocopier or scanner, in the appropriate forum.

Il est interdit à quiconque d'utiliser les images et les informations de ce catalogue dans un but autre qu'une simple consultation.

CEI poursuivra civilement et pénalement, dans les sièges juridiques opportuns, tous ceux qui utiliseront servilement, y compris par simple photocopie, scannage, etc. (même à simple titre d'exemple), les images de ce catalogue pour des objectifs autres que ceux prévus par Cei spa.

Queda prohibido a toda persona utilizar las imágenes y los datos de este catálogo con otra finalidad que no sea la de consulta.

CEI perseguirá civil y penalmente, ante la jurisdicción que corresponda, a toda persona que incurra en imitación servil, incluso mediante el simple fotocopiado, escaneado, etc. (la indicación vale sólo a título de ejemplo), de las imágenes de este catálogo, con finalidades ajenas a las de CEI S.p.a.

Die Anwendung der Bilder und Daten dieses Katalogs für andere Zwecke als die des Nachschlagens ist verboten.

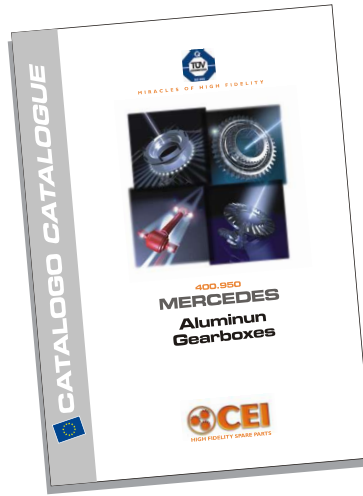
CEI behält sich vor, gegen diejenigen bei den entsprechend zuständigen Gerichtsstellen zivil- und strafrechtlich vorzugehen, die die Bilder dieses Katalogs auch nur durch einfaches Kopieren, Einscannen, usw. für andere Zwecke als die der Firma Cei spa verwenden sollten.

EDIZIONI SPECIALI

SPECIAL ISSUE
EDITION SPECIALE
BESONDERE HERAUSGABE
EDICION ESPECIAL



400.101
IVECO
EuroCargo - Tector



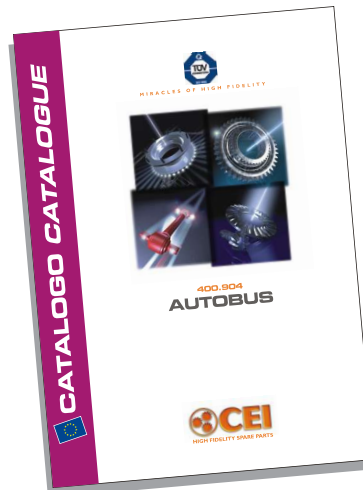
400.150
MERCEDES
Aluminum Gearboxes



400.175
RENAULT V.I.
B9/B18 Gearboxes



400.195
Z.F.
Ecosplit Gearboxes



400.904
AUTOBUS



400.008
Bevel & Spur Gear Pinion Sets





Figures part denominations references and data contained in this catalogue are not binding.
CEI reserves the right to introduce any changes at any time without prior notice.

Le figure, le denominazioni, i riferimenti ed i dati contenuti nel presente catalogo non sono impegnativi.
La CEI si riserva di apportare in ogni momento e senza preavviso tutte le variazioni che riterrà opportune.

Les figures, les dénominations, les références et les spécifications contenues dans ce catalogue ne sont pas engageantes.
La CEI se réserve le droit d'apporter à tout moment et sans préavis les variantes éventuelles qu'elle croit utiles.

Die in diesem Katalog enthaltenen Abbildungen, Benennungen, Zeichen und Angaben sind unverbindlich.
Die Firma CEI behält sich das Recht vor, jederzeit und ohne Viranzeige Änderungen vorzunehmen.

Las figuras, las denominaciones, las referencias y los datos contenidos en el presente catálogo no son empeñativos.
CEI puede hacer en cada momento y sin preaviso todas las variaciones que sean oportunas.

INTERCHANGEABILITY GUARANTY

Our spare parts are interchangeable with the original ones; our products bear our trade-mark.
The original part numbers listed in this catalogue are for reference only.

GARANZIA DI INTERCambiABILITÀ

I nostri ricambi sono intercambiabili con gli originali; la nostra produzione riporta il nostro marchio.
I riferimenti originali sono esposti a semplice titolo indicativo.

GARANTIE D'INTERCHANGEABILITE

Nos pièces détachées sont interchangeables avec les originaux.
Notre production porte notre marque.
Les numéros originaux mentionnés dans ce catalogue sont seulement à titre indicatif.

AUSTAUSCHBARKEITS-GARANTIE

Unsere ersatzteile sind austauschbar mit den Originalzahnradern.
Auf unseren Erzeugnissen ist unsere Schutzmarke aufgetragen.
Die im gegenwärtigen Katalog genannten Originalnummern nur zum Hinweis dienen.

GARANTIA DE INTERCambiABILIDAD

Nuestros recambios son intercambiables con los originales.
Todos nuestros productos, llevan grabada nuestra marca.
Las referencias originales impresas en nuestro catálogo figuran exclusivamente a título indicativo.

Suitable To : **MERCEDES**

G4 5 Speeds

G04/95 (387)
G04/110 (387)

G4 6 Speeds

G4/65 (387) - **G4/95** (387)
G04/105 (387) - **G4/110** (387)
G04/120 (387) - **G04/130** (387)
G04/160 (387) - **G04/160** (389)

G4 7 Speeds

G4/65 (387)
G4/95 (387)

G4 12 Speeds

GV4/65 (387)
GV4/95 (387)
GV4/110 (387)

G Series 8/9 Speeds

G155 (389)
G0210 (389)
G221 (389/945)

G Series 16 Speeds

G125 (389) - **G135** (389)
G155 (389) - **G180** (389) - **G200** (389)
G210 (389/945) - **G240** (389/945)
G211 (389/945) - **G231** (389/945) - **G260** (389/945)

All original equipment manufacturers numbers, symbols, pictures, models and description used in this catalogue are for reference only, and it is not implied that any part listed is the product of these manufacturers. Tutti i nostri particolari non sono originali ma con essi intercambiabili. I riferimenti originali, le figure, i modelli sono esposti a semplice titolo indicativo. La nostra produzione riporta il nostro marchio.

CEI Catalogue Key

CEI numbers KEY
111.204 BOLD Type
CURRENT PRODUCTION
135.131 Italic and NOT BOLD Type
FUTURE PRODUCTION
 Blank For reference purpose only.

Original Part No.
 Only current no. is listed
 in this table.
 For superseded nos. please
 check original no. index at the
 end of the catalogue.

Fitting Models
 ● Suitable for the column models
 Blank NOT Suitable for the column models

Progression Page no.

1

G155-9/15,9,1,0
 G0210-9/17,8,1,0

Picture No.

Fig.	CEI no.	MB no.	Description	Qty	Note	G155-9/15,9,1,0	G0210-9/17,8,1,0													
1	135.131	389 261 33	8 Front Cover	1		●	●													
2	139.549	015 997 16	47 Seal ring	1		●	●													
3	130.550	011 981 13	05 Bearing	1		●	●													
4	102.269	389 262 35	02 Input shaft 24 T	1		●	●													
5	130.551	008 981 40	05 Bearing D.40x90,9x32	1		●	●													
6	109.131	389 262 56	34 Synchronizer flange	1		●	●													
7	111.204	387 262 10	93 Spap ring	2		●	●													
8	119.112	389 262 06	37 Synchronizer cone	2		●	●													
9	157.214	389 262 06	35 Guide sleeve 3rd-4th Speed	1		●	●													
10	154.214	389 262 30	23 Sliding sleeve	1		●	●													
11	145.603	389 262 10	13 Gear 3rd Speed 27 T	1		●	●													
12	137.184	009 981 14	10 Needle cage	1		●	●													
13	103.147	389 262 13	05 Main shaft	1		●	●													
14	137.177	018 981 66	10 Needle cage	1		●	●													
15	145.602	389 262 14	12 Gear 2nd Speed 34 T	1		●	●													
16	109.339	389 262 05	34 Synchronizer flange	1		●	●													
17	111.205	387 262 08	93 Spap ring	2		●	●													
18	119.161	389 262 07	37 Synchronizer cone	2		●	●													
19	157.213	389 262 00	35 Hub 1st-2nd Speed	1		●	●													
20	154.213	389 262 29	23 Sliding sleeve	1		●	●													
21	109.187	945 262 04	34 Synchronizer flange	1		●	●													
22	141.161	389 265 23	49 Slide	2		●	●													
23	145.601	389 262 17	11 Gear 1st Speed 41 T	1		●	●													
24	137.182	008 981 83	10 Needle cage D.75x83x55	1		●	●													
25	157.601	389 262 04	35 Hub	1		●	●													
25		389 262 21	35 Hub	1		●	●													
26	154.225	389 262 02	23 Sliding sleeve	1		●	●													
27	147.156	389 262 05	33 Reverse gear 36 T	1		●	●													
28	154.223	389 262 18	23 Sliding sleeve	1		●	●													
29	109.340	389 262 01	37 Synchronizer cone	1		●	●													
30	147.157	389 262 18	33 Reverse gear 34 T	1		●	●													
31	137.183	013 981 53	10 Needle cage	1		●	●													
32	157.602	389 262 00	35 Hub	1		●	●													
33	145.605	389 262 02	39 Gear Low 39 T	1		●	●													
34	141.160	945 265 01	49 Slide	2		●	●													
35	137.185	013 981 65	10 Needle cage	1		●	●													
36	130.552	012 981 93	05 Bearing D.60x130x30	1		●	●													
37	117.326	389 262 01	52 Spacer S.20,30 mm	1 (A)		●	●													
37	117.325	389 262 37	52 Spacer S.18,00 mm	1 (B)		●	●													
38	157.600	389 262 04	25 Sun gear 25 T	1 (A)		●	●													
38	157.212	389 262 02	25 Sun gear 25 T	1 (B)		●	●													
39	141.161	389 265 23	49 Slide	2		●	●													
40	130.554	014 981 14	05 Bearing	1		●	●													
41	143.106	389 263 11	11 Double gear Const-3rd Speed	1		●	●													
42	105.129	389 263 09	11 Countershaft 21/17/12 T	1		●	●													

Table Range Models

8/9 Speeds
 G155 - G0210

Notes



(A) Up to gearbox 182425 - See GP section (table 008B) for the coupling
 (B) From gearbox 182426 - See GP section (table 008B) for the coupling
 (C) Up to 06/96
 (D) From 07/96

Date

01 / 2004

Table

Table Date 008 / A

Technical Note
 Attention to the matching letters

Quantity needed
 For each position

Progression Table no.

All original equipment manufacturers numbers, symbols, pictures, models and description used in this catalogue are for reference only, and it is not implied that any part listed is the product of these manufactures. Tutti i nostri particolari non sono originali ma con essi intercambiabili. I riferimenti originali, le figure, i modelli sono esposti a semplice titolo indicativo. La nostra produzione riporta il nostro marchio.



CEI Catalogue Key

All original equipment manufacturers' numbers, symbols, pictures, models and description used in this catalogue are for reference only, and it is not implied that any part listed is the product of these manufacturers. Tutti i nostri particolari non sono originali ma con essi intercambiabili. I riferimenti originali, le figure, i modelli sono esposti a semplice titolo indicativo. La nostra produzione riporta il nostro marchio.

MB Ref.	CEI no.	GO4/95-5/5,1	GO4/110-5/5,1	G4/65-6/9,0	G4/95-6/9,0	GO4/105-6/7,1	G4/110-6/9,0	GO4/120-6/7,1	GO4/130-6/7,1	GO4/160-6/7,1	G4/65-6/8,2	G4/95-7/11,0	G4/165-6/9,0	GV4/95-6/9,0	GV4/110-6/9,0	G155-9/15,9	G210-8/11,8	G221-9/10,19	G125-16/14,0	G135-16/11,9	G155-16/11,9	G180-16/14,0	G180-16/11,9	G200-16/14,0	G210-16/11,9	G211-16/14,2	G231-16/17,0	G240-16/17,0	G260-16/9,75		
389 262 7910	145.588																														
389 262 8610	145.585																														
945 262 0510	145.586																														
945 262 1610	145.584																														
945 262 2310	145.623																														
945 262 4510	145.618																														
945 262 4710	145.619																														
387 262 0211	145.638																														
387 262 0411	145.428																														
387 262 0911	145.647																														
387 262 1511	145.686																														
387 262 1811	145.677																														
387 262 1911	145.662																														
387 262 2011	145.653																														
387 262 2211	145.678																														
387 262 2511	145.657																														
387 262 2611	145.648																														
387 262 2811	145.663																														
387 262 2911	145.654																														
387 262 3011	145.639																														
389 262 0211	145.605																														
389 262 0411	145.609																														
389 262 1411	145.597																														
389 262 1611	145.606																														
389 262 1711	145.601																														
389 262 1911	145.694																														
389 262 2711	145.616																														
945 262 0511	145.622																														
945 262 1111	145.621																														
945 262 2711	145.600																														
387 262 0212	145.627																														
387 262 0412	145.429																														
387 262 0812	145.636																														
387 262 1912	145.668																														
387 262 2412	145.682																														
387 262 2612	145.660																														
387 262 2712	145.651																														
387 262 2912	145.676																														
387 262 3212	145.626																														
387 262 3312	145.640																														
387 262 3412	145.635																														
387 262 3712	145.683																														
387 262 3812	145.661																														
387 262 3912	145.652																														
387 262 4012	145.675																														
389 262 0312	145.611																														

Application

Date

01 / 2004

Table

Index



5 Speeds (387)	12 Speeds (387)
6 Speeds (387/389)	8/9 Speeds (389/945)
7 Speeds (387)	16 Speeds (389/945)

All original equipment manufacturers' numbers, symbols, pictures, models and description used in this catalogue are for reference only, and it is not implied that any part listed is the product of these manufactures. Tutti i nostri particolari non sono originali ma con essi intercambiabili. I riferimenti originali, le figure, i modelli sono esposti a semplice titolo indicativo. La nostra produzione riporta il nostro marchio.

MB Ref.	CEI no.	GO4/95-5/5,1	GO4/110-5/5,1	G4/65-6/9,0	G4/95-6/9,0	GO4/105-6/7,1	G4/110-6/9,0	GO4/120-6/7,1	GO4/130-6/7,1	GO4/160-6/7,1	GO4/160-6/8,2	G4/65-7/11,0	G4/95-7/11,0	G4/65-6/9,0	GV4/95-6/9,0	GV4/110-6/9,0	G155-9/15,9	G210-8/11,8	G221-9/10,19	G125-16/14,0	G135-16/11,9	G155-16/11,9	G155-16/11,9	G180-16/14,0	G180-16/11,9	G200-16/14,0	G210-16/11,9	G211-16/14,2	G231-16/17,0	G240-16/17,0	G260-16/17,7	G260-16/9,75					
387 262 0515	145.689																																				
387 262 1815	145.679																																				
387 262 2015	145.637	•		•											•																						
387 262 2215	145.645				•		•																														
387 262 2315	145.634	•					•									•																					
387 262 2515	145.430								•	•																											
387 262 2615	145.669																																				
389 262 0215	145.567												•																								
387 262 0316	145.671																																				
387 262 0416	145.667																																				
389 262 4918																																					
387 262 0023	154.229	•	•	•	•	•	•	•	•	•					•	•	•																				
387 262 0323	154.305																																				
387 262 0623	154.216	•	•	•	•	•	•	•	•	•					•	•	•				•	•	•	•	•	•											
387 262 0923																																					
387 262 1323	154.301	•	•	•	•	•	•	•	•	•					•	•	•																				
387 262 1423	154.302	•	•	•	•	•	•	•	•	•					•	•	•																				
387 262 1523	154.215	•	•	•	•	•	•	•	•	•					•	•	•					•	•	•	•												
389 262 0223	154.225																																				
389 262 1523	154.222																																				
389 262 1723	154.224																																				
389 262 1823	154.223																																				
389 262 2023	154.303																																				
389 262 2123	154.304																																				
389 262 2923	154.213																																				
389 262 3023	154.214																																				
945 262 0323	154.221																																				
945 262 0423	154.220																																				
945 262 0823	154.217																																				
945 262 2023	154.228																																				
945 262 2123	154.227																																				
389 262 0525	150.143																																				
389 262 1425	150.144																																				
387 262 0033	147.173	•					•									•																					
387 262 0233	147.172	•		•																																	
387 262 0433	147.189																																				
387 262 0533	147.175			•																																	
387 262 0733	147.186																																				
387 262 0833	147.178																																				
387 262 0933	145.656																																				
387 262 1033	147.170	•		•																																	
387 262 1133	147.179																																				
387 262 1233	147.176																																				
387 262 1433	147.185																																				
387 262 1533	145.655																																				
387 262 1633	147.177																																				

Application

Date



5 Speeds (387)	12 Speeds (387)
6 Speeds (387/389)	8/9 Speeds (389/945)
7 Speeds (387)	16 Speeds (389/945)

01 / 2004

Table

Index

All original equipment manufacturers' numbers, symbols, pictures, models and description used in this catalogue are for reference only, and it is not implied that any part listed is the product of these manufacturers.
Tutti i nostri particolari non sono originali ma con essi intercambiabili. I riferimenti originali, le figure, i modelli sono esposti a semplice titolo indicativo. La nostra produzione riporta il nostro marchio.

MB Ref.	CEI no.	Application																																				
		GO4/95-5/5,1	GO4/110-5/5,1	G4/65-6/9,0	G4/95-6/9,0	GO4/105-6/7,1	G4/110-6/9,0	GO4/120-6/7,1	GO4/130-6/7,1	GO4/160-6/7,1	GO4/160-6/8,2	G4/65-7/11,0	G4/95-7/11,0	G14/65-6/9,0	GV4/95-6/9,0	GV4/110-6/9,0	G155-9/15,9	G210-8/11,8	G221-9/10,19	G125-16/14,0	G135-16/11,9	G155-16/11,9	G155-16/11,9	G180-16/14,0	G180-16/11,9	G200-16/14,0	G210-16/11,9	G211-16/14,2	G231-16/17,0	G240-16/17,0	G260-16/9,7,5							
387 262 0935	157.614		•							•	•																											
387 262 1835	157.639									•																												
387 262 2035	157.617	•	•	•	•	•	•	•	•	•	•			•	•	•																						
387 262 2135	157.611	•	•	•	•	•	•	•	•	•	•			•	•	•																						
387 262 2335	157.641													•																								
387 262 2735	157.615	•	•																																			
387 262 2835	157.642													•	•																							
387 262 2935	157.633													•																								
387 262 3335	157.616	•	•																																			
387 262 3435	157.622			•	•	•	•	•	•	•	•			•	•	•																						
387 262 3535	157.618		•											•																								
389 262 0035	157.213										•					•	•		•	•	•	•	•	•	•	•	•	•	•	•	•	•	•	•	•	•		
389 262 0135	157.603																		•	•	•	•	•	•	•	•	•	•	•	•	•	•	•	•	•	•		
389 262 0435	157.601														•																							
389 262 0535	155.206														•	•			•	•	•	•	•	•	•	•	•	•	•	•	•	•	•	•	•	•		
389 262 0635	157.214														•	•			•	•	•	•	•	•	•	•	•	•	•	•	•	•	•	•	•	•		
389 262 1135	157.627										•																											
389 262 1535	157.215																						•	•	•	•	•	•	•	•	•	•	•	•	•	•	•	
389 262 1935	157.628										•																											
389 262 2035	155.204														•	•	•	•	•	•	•	•	•	•	•	•	•	•	•	•	•	•	•	•	•	•	•	
389 262 2135																•																						
389 262 2535	157.557																																					
389 262 2735	157.629										•																											
389 262 2835	157.555																																					
389 262 3435	157.640										•																											
389 262 3935	157.606																																					
389 262 4135	157.630										•																											
389 262 4235	157.626										•																											
389 262 4435	157.624										•																											
389 262 4535	157.625										•																											
389 262 4735	157.556																																					
389 262 5635	157.631										•																											
945 262 1935	157.607																			•																		
945 262 2135	154.226																			•																		
387 262 0036	157.613	•	•	•	•	•	•	•	•	•				•	•																							
387 262 0136	157.632										•																											
387 262 0236	157.634										•																											
387 262 0436	157.612	•		•	•		•							•																								
389 262 0537	119.160																																					
389 262 0637	119.112	•	•	•	•	•	•	•	•	•	•	•	•	•	•	•	•	•	•	•	•	•	•	•	•	•	•	•	•	•	•	•	•	•	•	•	•	•
389 262 0737	119.161	•	•	•	•	•	•	•	•	•	•	•	•	•	•	•	•	•	•	•	•	•	•	•	•	•	•	•	•	•	•	•	•	•	•	•	•	•
387 262 0040	157.637										•																											
387 262 0140	157.635										•																											
387 262 0240	157.637										•																											
387 262 0440	157.638										•																											
389 262 0040	157.602																																					

Application

Date



5 Speeds (387)

12 Speeds (387)

6 Speeds (387/389)

8/9 Speeds (389/945)

7 Speeds (387)

16 Speeds (389/945)

01 / 2004

Table

Index

All original equipment manufacturers' numbers, symbols, pictures, models and description used in this catalogue are for reference only, and it is not implied that any part listed is the product of these manufactures. Tutti i nostri particolari non sono originali ma con essi intercambiabili. I riferimenti originali, le figure, i modelli sono esposti a semplice titolo indicativo. La nostra produzione riporta il nostro marchio.

MB Ref.	CEI no.	GO4/95-5/5,1	GO4/110-5/5,1	G4/65-6/9,0	G4/95-6/9,0	GO4/105-6/7,1	G4/110-6/9,0	GO4/120-6/7,1	GO4/130-6/7,1	GO4/160-6/7,1	GO4/160-6/8,2	G4/65-7/11,0	G4/95-7/11,0	G14/65-6/9,0	GV4/95-6/9,0	GV4/110-6/9,0	G155-9/15,9	G210-8/11,8	G221-9/10,19	G125-16/14,0	G135-16/11,9	G155-16/11,9	G155-16/11,9	G180-16/14,0	G180-16/11,9	G200-16/14,0	G210-16/11,9	G211-16/14,2	G231-16/17,0	G240-16/17,0	G260-16/9,75			
389 263 0041																																		
389 263 0241																																		
945 263 0041																																		
976 263 0041																																		
387 263 0050	117.344																																	
387 263 0550	117.343																																	
387 263 0650																																		
387 263 0750	117.340																																	
387 263 0850	117.332																																	
387 263 0950																																		
387 263 1150	117.338																																	
387 263 1250	117.331																																	
389 263 0050																																		
389 263 0150																																		
389 263 0650																																		
389 263 0850	117.324																																	
389 263 0950	117.323																																	
389 263 0062																																		
389 263 0162	169.806																																	
629 264 0020																																		
945 264 0220	109.341																																	
389 264 0730	109.342																																	
387 264 1945	197.085																																	
387 264 2445																																		
387 264 3245																																		
387 264 3445																																		
389 265 2349	141.161																																	
389 265 2449	141.162																																	
389 265 2749	141.165																																	
945 265 0149	141.160																																	
389 269 1901																																		
389 269 2101																																		
389 269 3801	189.604																																	
945 269 0101	189.607																																	
389 269 0706	189.605																																	
389 269 1406	189.606																																	
389 269 1706																																		
389 269 1210	101.123																																	
389 269 1310	101.124																																	
389 269 0134	188.180																																	
389 269 0334																																		
389 269 4734	188.181																																	
629 430 0046																																		
629 430 0146																																		
629 430 0246																																		
004 981 3601	130.585																																	

Application

Date

01 / 2004

Table

Index



5 Speeds (387)
6 Speeds (387/389)
7 Speeds (387)

12 Speeds (387)
8/9 Speeds (389/945)
16 Speeds (389/945)

MB Ref.	CEI no.	Application																																	
		GO4/95-5/5,1	GO4/110-5/5,1	G4/65-6/9,0	G4/95-6/9,0	GO4/105-6/7,1	G4/110-6/9,0	GO4/120-6/7,1	GO4/130-6/7,1	GO4/160-6/7,1	G4/160-6/8,2	G4/95-7/11,0	G4/95-7/11,0	GV4/65-6/9,0	GV4/95-6/9,0	GV4/110-6/9,0	G155-9/15,9	G210-8/11,8	G221-9/10,19	G125-16/14,0	G135-16/14,0	G155-16/11,9	G155-16/11,9	G180-16/14,0	G180-16/11,9	G200-16/14,0	G210-16/11,9	G211-16/14,2	G231-16/17,0	G240-16/17,0	G260-16/17,7				
007 981 2001	130.577		•							•	•																								
007 981 8201	130.563																•										•	•	•	•	•				
008 981 5201	130.574	•	•	•	•	•	•	•	•	•	•	•	•	•	•																				
008 981 5301	130.572	•	•	•	•	•	•	•	•	•	•	•	•	•	•																				
008 981 8901	130.582										•																								
008 981 9501	130.576		•								•	•																							
001 981 3105	130.573		•								•																								
008 981 4005	130.551															•	•					•	•	•	•	•									
008 981 8005	130.543																			•	•														
009 981 0705	130.544																			•	•														
009 981 3105	130.571	•	•	•	•	•	•	•	•	•	•	•	•	•	•																				
009 981 6205	130.549																			•	•														
009 981 8905	130.580										•																								
010 981 2405	130.545																			•	•														
010 981 5205	130.541																			•	•														
010 981 5905	130.542		•								•	•	•							•	•														
011 981 1305	130.550										•					•	•	•				•	•	•	•	•	•	•	•	•	•	•	•		
011 981 6005	130.562																																		
011 981 7605	130.557																																		
011 981 7705	130.546																			•	•														
012 981 3605	130.587										•																								
012 981 3705	130.581										•																								
012 981 9205	130.553															•	•	•				•	•	•	•	•	•	•	•	•	•	•	•		
012 981 9305	130.552															•	•	•				•	•	•	•	•	•	•	•	•	•	•	•		
014 981 1405	130.554										•					•	•	•				•	•	•	•	•	•	•	•	•	•	•	•		
014 981 1605	130.547																			•	•														
014 981 1905	130.556																																		
015 981 1605	130.558										•																								
015 981 2005	130.561																																		
015 981 6105	130.560																																		
015 981 6205	130.559																																		
007 981 2810	137.212		•																																
007 981 5510	137.204		•			•		•	•	•				•																					
008 981 8310	137.182		•			•		•	•					•	•	•																			
008 981 9410	137.186	•		•	•		•				•			•										•	•	•	•	•							
008 981 9710	137.199		•			•		•	•					•																					
008 981 9910	137.205		•			•		•	•					•																					
009 981 0110	137.210		•								•			•																					
009 981 0210	137.208		•																																
009 981 1410	137.184	•		•	•		•							•		•	•																		
009 981 1510	137.187	•		•	•		•			•				•																					
009 981 1710	137.203	•		•	•		•							•																					
009 981 1810	137.201	•		•	•		•				•			•																					
009 981 3110	137.214										•																								
009 981 3510	137.226										•																								
009 981 3610	137.220										•																								

Date
01 / 2004

Table

Index

Application

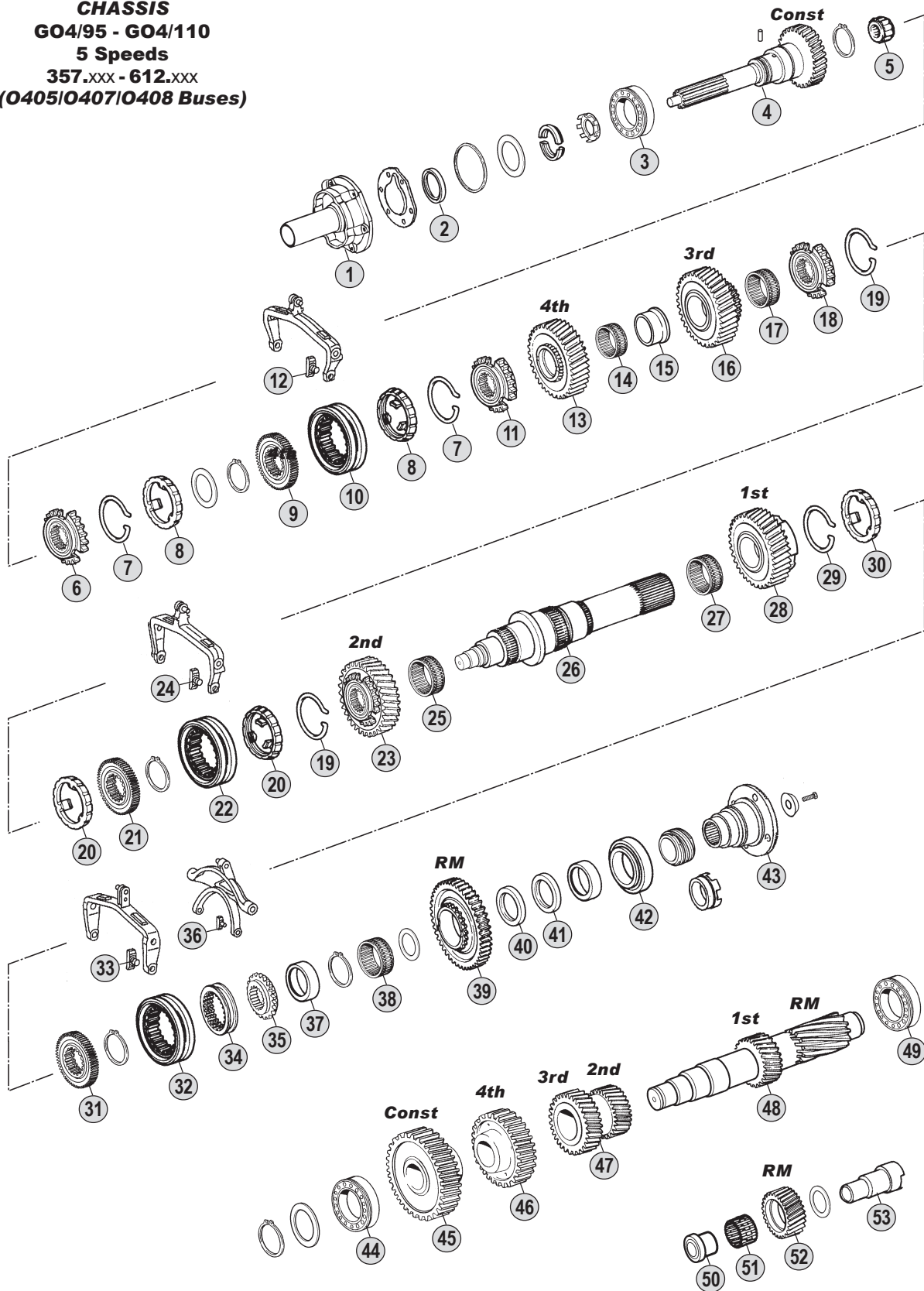
5 Speeds (387)	12 Speeds (387)
6 Speeds (387/389)	8/9 Speeds (389/945)
7 Speeds (387)	16 Speeds (389/945)



All original equipment manufacturers' numbers, symbols, pictures, models and description used in this catalogue are for reference only, and it is not implied that any part listed is the product of these manufactures. Tutti i nostri particolari non sono originali ma con essi intercambiabili. I riferimenti originali, le figure, i modelli sono esposti a semplice titolo indicativo. La nostra produzione riporta il nostro marchio.

Suitable To: **MERCEDES****GO4/95- GO4/110 (5 Speeds)**

CHASSIS
GO4/95 - GO4/110
5 Speeds
357.XXX - 612.XXX
(0405/0407/0408 Buses)



All original equipment manufacturers' numbers, symbols, pictures, models and description used in this catalogue are for reference only, and it is not implied that any part listed is the product of these manufactures.
 Tutti i nostri particolari non sono originali ma con essi intercambiabili. I riferimenti originali, le figure, i modelli sono esposti a semplice titolo indicativo. La nostra produzione riporta il nostro marchio.

Models

GO4/95-5/5,1	714.604
GO4/110-5/5,1	714.624

All original equipment manufacturers' numbers, symbols, pictures, models and description used in this catalogue are for reference only, and it is not implied that any part listed is the product of these manufactures.
Tutti i nostri particolari non sono originali ma con essi intercambiabili. I riferimenti originali, le figure, i modelli sono esposti a semplice titolo indicativo. La nostra produzione riporta il nostro marchio.

Fig.	CEI no.	MB no.	Description	Q.ty	Note					
1		387 261 0518	Front cover	1	Up to Gearbox 000516	●	●			
1	135.137	387 261 2218	Front cover	1	From Gearbox 000517	●	●			
2		007 997 9647	Seal ring	1	Up to Gearbox 000516	●	●			
2	139.548	015 997 0347	Seal ring	1	From Gearbox 000517	●	●			
3	130.574	008 981 5201	Bearing	1		●	●			
4	102.292	387 262 4202	Input shaft	1		●				
4	102.293	387 262 4402	Input shaft	1			●			
5	137.206	002 981 1312	Needle cage	1		●	●			
6	109.344	387 262 5034	Synchronizer flange	1		●	●			
7	111.204	387 262 1093	Spap ring	2		●	●			
8	119.112	389 262 0637	Synchronizer cone	2		●	●			
9	157.611	387 262 2135	Synchronizer hub	1		●	●			
10	154.215	387 262 1523	Sliding sleeve	1		●	●			
11	109.131	389 262 5634	Synchronizer flange	1		●	●			
12	141.161	389 265 2349	Slide	2		●	●			
13	145.637	387 262 2015	Gear 4th Speed 22 T	1		●				
13	145.634	387 262 2315	Gear 4th Speed 22 T	1			●			
14	137.184	009 981 1410	Needle cage	1		●				
14	137.182	008 981 8310	Needle cage D.75x83x55	1			●			
15	117.330	387 262 0550	Bush	1		●				
15	117.279	387 262 0150	Bush	1			●			
16	145.628	387 262 3514	Gear 3rd Speed 24 T	1		●				
16	145.633	387 262 3814	Gear 3rd Speed 24 T	1			●			
17	137.187	009 981 1510	Needle cage	1		●				
17	137.205	008 981 9910	Needle cage	1			●			
18	109.130	387 262 4534	Synchronizer flange	1	(A)	●	●			
18	109.343	387 262 4834	Synchronizer flange	1	(B)	●	●			
19	111.204	387 262 1093	Spap ring	2		●	●			
20	119.112	389 262 0637	Synchronizer cone	2		●	●			
21	157.617	387 262 2035	Synchronizer hub	1		●	●			
22	154.215	387 262 1523	Sliding sleeve	1	(A)	●	●			
22	154.302	387 262 1423	Sliding sleeve	1	(B)	●	●			
23	145.632	387 262 1813	Gear 2nd Speed 30 T	1	(A)	●				
23	145.631	387 262 4413	Gear 2nd Speed 30 T	1	(B)	●				
23	145.630	387 262 0813	Gear 2nd Speed 30 T	1	(A)		●			
23	145.629	387 262 5313	Gear 2nd Speed 30 T	1	(B)		●			
24	141.161	389 265 2349	Slide	2		●	●			
25	137.203	009 981 1710	Needle cage	1		●				
25	137.204	007 981 5510	Needle cage	1			●			
26	103.154	387 262 2105	Main shaft	1	(C)	●				
26	103.155	387 262 2405	Main shaft	1	(D)	●				
26	103.153	387 262 2005	Main shaft	1			●			
27	137.201	009 981 1810	Needle cage	1		●				
27	137.199	008 981 9710	Needle cage	1			●			
28	145.636	387 262 0812	Gear 1st Speed 38 T	1	(A)	●				

Notes

- (A) GO4/95 Up to gearbox 348399
 (B) GO4/95 From gearbox 348400
 (C) GO4/95 Up to gearbox 124518
 (D) GO4/95 From gearbox 124519

- GO4/110 Up to gearbox 355346
 GO4/110 From gearbox 355347

Date

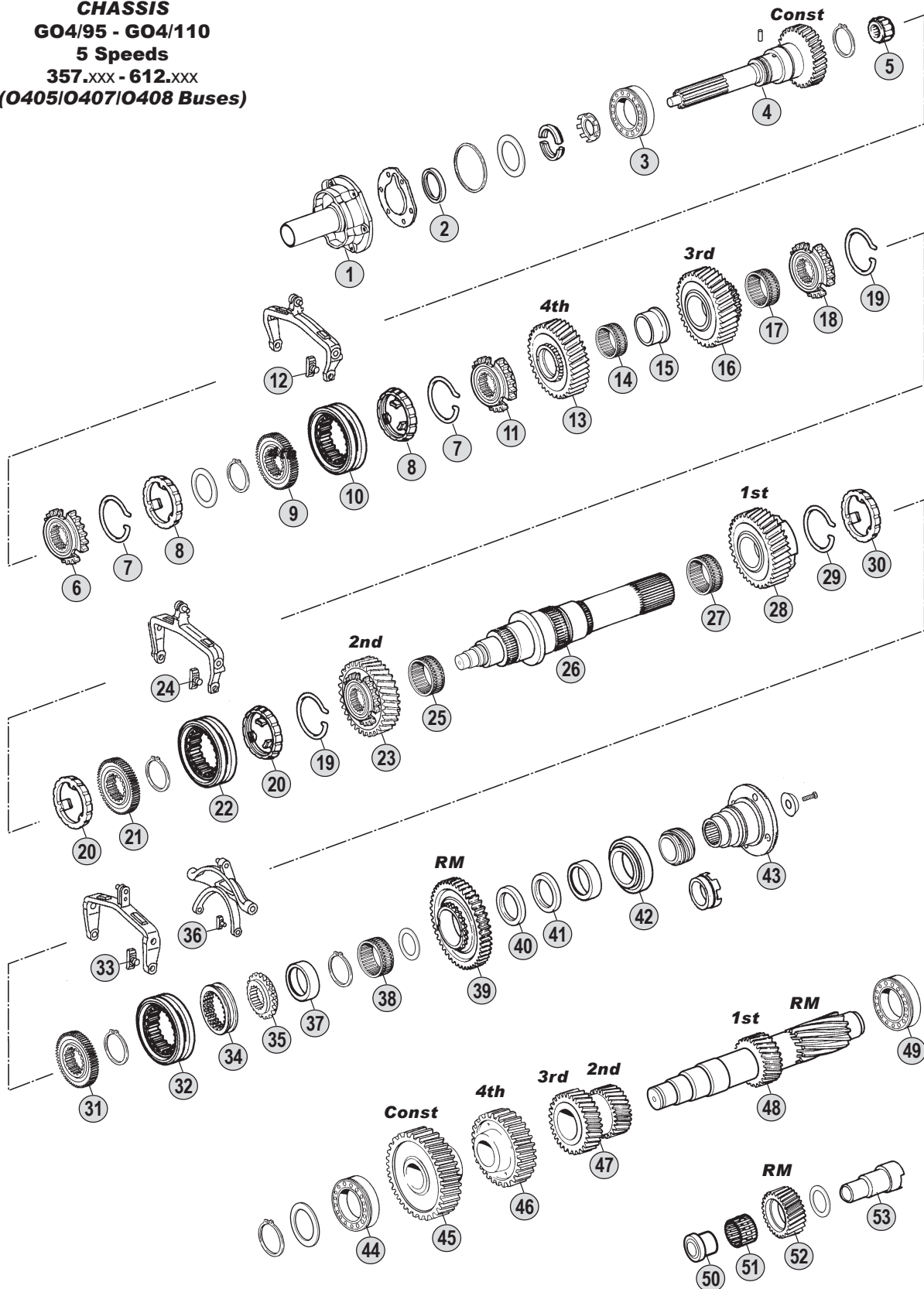
01 / 2004

Table

001

Suitable To: **MERCEDES****GO4/95- GO4/110 (5 Speeds)**

CHASSIS
GO4/95 - GO4/110
5 Speeds
357.XXX - 612.XXX
(0405/0407/0408 Buses)



All original equipment manufacturers' numbers, symbols, pictures, models and description used in this catalogue are for reference only, and it is not implied that any part listed is the product of these manufactures.
 Tutti i nostri particolari non sono originali ma con essi intercambiabili. I riferimenti originali, le figure, i modelli sono esposti a semplice titolo indicativo. La nostra produzione riporta il nostro marchio.

Models

GO4/95-5/5,1	714.604
GO4/110-5/5,1	714.624

All original equipment manufacturers' numbers, symbols, pictures, models and description used in this catalogue are for reference only, and it is not implied that any part listed is the product of these manufactures.
Tutti i nostri particolari non sono originali ma con essi intercambiabili. I riferimenti originali, le figure, i modelli sono esposti a semplice titolo indicativo. La nostra produzione riporta il nostro marchio.

Fig.	CEI no.	MB no.	Description	Q.ty	Note	GO4/95-5/5,1	GO4/110-5/5,1				
28	145.635	387 262 3412	Gear 1st Speed 38 T	1	(B)	●					
28	145.627	387 262 0212	Gear 1st Speed 38 T	1	(A)		●				
28	145.626	387 262 3212	Gear 1st Speed 38 T	1	(B)		●				
29	111.205	387 262 0893	Spap ring	1		●	●				
30	119.161	389 262 0737	Synchronizer cone	1		●	●				
31	157.615	387 262 2735	Synchronizer hub	1	(A)	●	●				
31	157.616	387 262 3335	Synchronizer hub	1	(B)	●	●				
32	154.216	387 262 0623	Sliding sleeve	1	(A)	●	●				
32	154.301	387 262 1323	Sliding sleeve	1	(B)	●	●				
33	141.161	389 265 2349	Slide	2		●	●				
34	154.229	387 262 0023	Sleeve	1		●	●				
35	157.613	387 262 0036	Hub	1	(C)	●					
35	157.612	387 262 0436	Hub	1	(D)	●					
35	157.613	387 262 0036	Hub	1			●				
36	141.160	945 265 0149	Slide	2		●	●				
37		387 262 1550	Bush	1	(C)	●					
37	117.329	387 262 1450	Bush	1			●				
38	137.186	008 981 9410	Needle cage	1	(C)	●					
38	137.200	013 981 1210	Needle cage	1	(D)	●					
38	137.198	021 981 9410	Needle cage	1			●				
39	147.172	387 262 0233	Reverse gear	1	(C)	●					
39	147.170	387 262 1033	Reverse gear	1	(D)	●					
39	147.173	387 262 0033	Reverse gear	1			●				
40	139.564	017 997 2547	Oil seal	1		●	●				
41	139.563	017 997 7947	Oil seal	1		●	●				
42	130.572	008 981 5301	Bearing	1		●	●				
43	197.088	387 262 0145	Output flange D.150	1		●	●				
44	130.571	009 981 3105	Bearing	1		●	●				
45	146.512	387 263 1510	Constant gear	1		●					
45	146.510	387 263 1810	Constant gear 43 T	1			●				
46	146.511	387 263 0215	Gear 4th Speed	1		●					
46	146.509	387 263 0015	Gear 4th Speed 34 T	1			●				
47	143.110	387 263 0613	Double gear 3rd-2nd Sp.25/21 T	1		●					
47	143.109	387 263 1313	Double gear 3rd-2nd Sp.25/21 T	1			●				
48	105.136	387 263 1902	Countershaft 16/12 T	1		●					
48	105.135	387 263 2002	Countershaft	1			●				
49	130.571	009 981 3105	Bearing	1		●	●				
50	117.332	387 263 0850	Bush	1		●					
50		387 263 0950	Bush	1	To Rev. Shaft 387 263 0530		●				
50	117.331	387 263 1250	Bush	1	To Rev. Shaft 387 263 1430		●				
51	137.202	010 981 5110	Needle cage	1		●					
51	137.207	010 981 5210	Needle cage	1			●				
52	147.169	387 263 1231	Reverse gear	1		●					
52	147.171	387 263 0631	Reverse gear 21 T	1			●				
53	107.178	387 263 0830	Reverse shaft	1		●					

Notes

(A) GO4/95 Up to gearbox 348399
 (B) GO4/95 From gearbox 348400
 (C) GO4/95 Up to gearbox 124518
 (D) GO4/95 From gearbox 124519

GO4/110 Up to gearbox 355346
 GO4/110 From gearbox 355347

Date

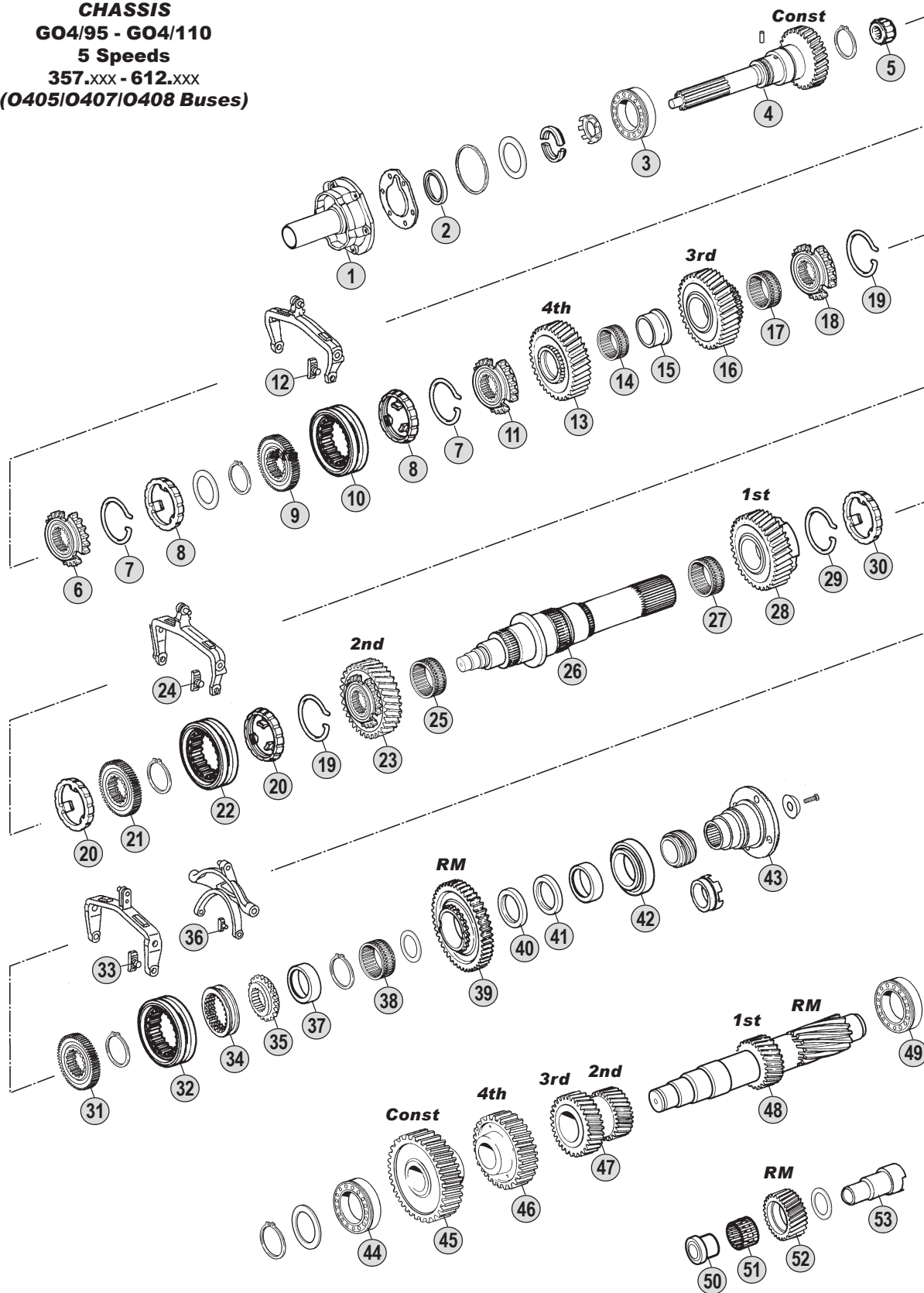
01 / 2004

Table

001

Suitable To: **MERCEDES****GO4/95- GO4/110 (5 Speeds)**

CHASSIS
GO4/95 - GO4/110
5 Speeds
357.XXX - 612.XXX
(0405/0407/0408 Buses)

**Models**

GO4/95-5/5,1	714.604
GO4/110-5/5,1	714.624

Suitable To: **MERCEDES****G4/65 - 95 - 105 - 110 (6 Speeds)****CHASSIS
G4/65 - G4/95 - G4/110
6 Speeds**

615.XXX - 616.XXX - 617.XXX

619.XXX - 621.XXX - 624.XXX

(MK Series)

650.XXX - 651.XXX - 652.XXX

653.XXX - 654.XXX - 656.XXX

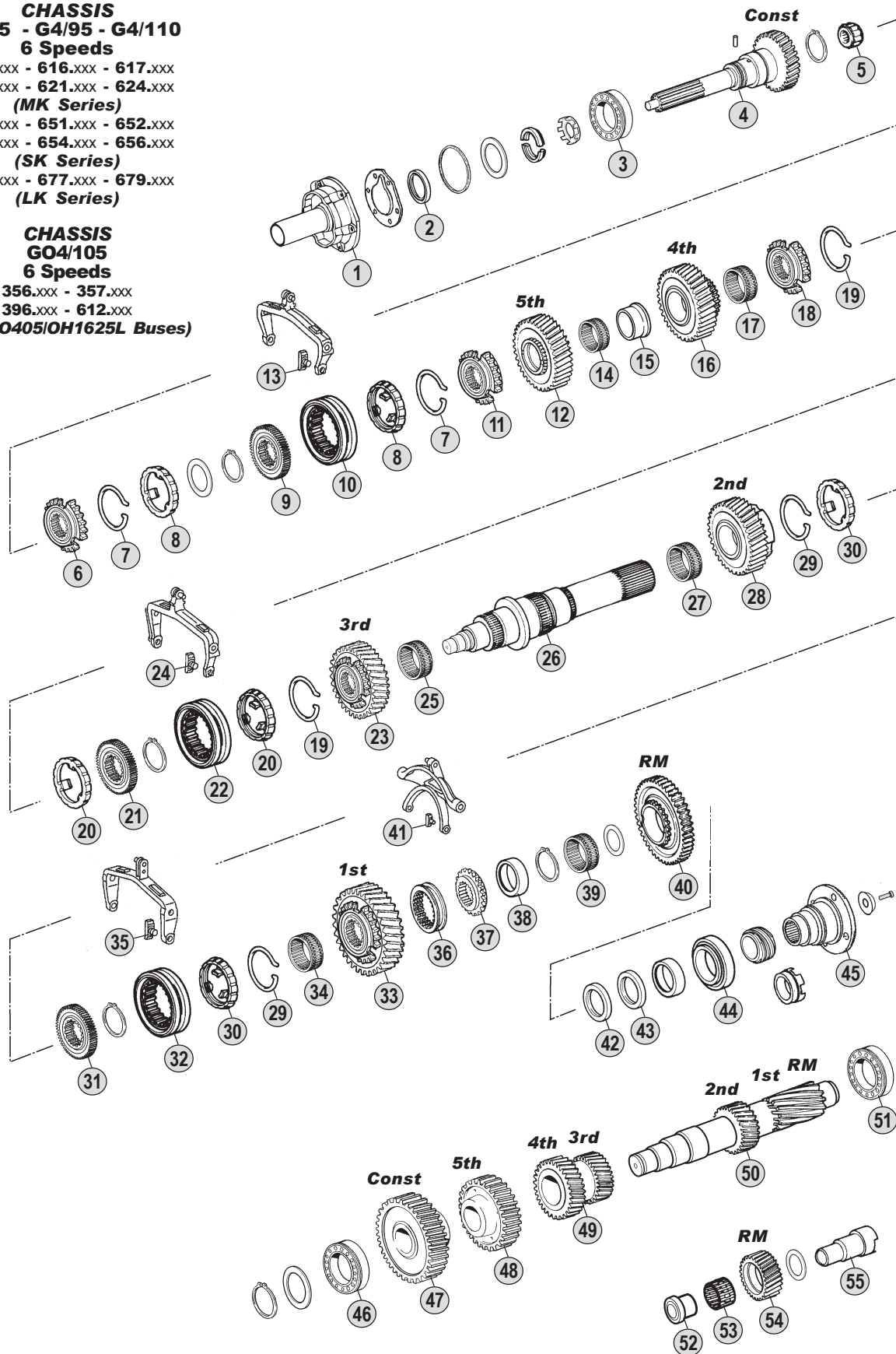
(SK Series)

676.XXX - 677.XXX - 679.XXX

(LK Series)**CHASSIS
GO4/105
6 Speeds**

356.XXX - 357.XXX

396.XXX - 612.XXX

(O404/O405/OH1625L Buses)

All original equipment manufacturers' numbers, symbols, pictures, models and description used in this catalogue are for reference only, and it is not implied that any part listed is the product of these manufacturers.
 Tutti i nostri particolari non sono originali ma con essi intercambiabili. I riferimenti originali, le figure, i modelli sono esposti a semplice titolo indicativo. La nostra produzione riporta il nostro marchio.

Models**G4/65-6/9,0** 714.400-401-402-403-404-430-431-432-433-434-435-436-437-438-439-440-441-442**G4/65-6/9,0** 714.600-601-610-614-615-616-617-618 **715.100-101-102-103-111-113****GO4/105-6/7,18** 714.602-606**G4/110-6/9,0** 714.620-621-626-630-631-664-670-674

G4/65-6/9,0
G4/95-6/9,0
GO4/105-6/7,18
G4/110-6/9,0

6 Speeds
G4/65 - 95 - 110
GO105

All original equipment manufacturers numbers, symbols, pictures and description used in this catalogue are for reference only, and it is not implied that any part listed is the product of these manufactures.
Tutti i nostri particolari non sono originali ma con essi intercambiabili. I riferimenti originali, le figure, i modelli sono esposti a semplice titolo indicativo. La nostra produzione riporta il nostro marchio.

Fig.	CEI no.	MB no.	Description	Q.ty	Note	G4/65-6/9,0	G4/95-6/9,0	GO4/105-6/7,18	G4/110-6/9,0
1	135.141	387 261 2418	Front cover	1	(A) Excl. 714.402-432-437	●			
1	135.142	387 261 2518	Front cover	1	(A) Only 714.402-432-437	●			
1	135.145	387 261 2018	Front cover	1	(B) Excl. 714.402-432-437	●			
1	135.140	387 261 2718	Front cover	1	(B) Only 714.402-432-437	●			
1	135.137	387 261 2218	Front cover	1	Excl. 715.100/1/2/3-111-113		●		
1	135.139	389 261 0018	Front cover	1	Only 715.100-101-111-113		●		
1	135.138	387 261 2918	Front cover	1	Only 715.102-103		●		
1	135.137	387 261 2218	Front cover	1				●	
1	135.137	387 261 2218	Front cover	1	Excl. 714.626-670-674				●
1	135.139	389 261 0018	Front cover	1	Only 714.626-670-674				●
2		007 997 9647	Seal ring	1	Old Type	●	●	●	●
2	139.548	015 997 0347	Seal ring	1	New Type	●	●	●	●
2	139.549	015 997 1647	Seal ring	1	Only 715.100/1/2/3-111-113		●		
2	139.549	015 997 1647	Seal ring	1	Only 714.626-670-674				●
3	130.576	008 981 9501	Bearing	1	(A)	●			
3	130.577	007 981 2001	Bearing	1	(B)	●			
3	130.574	008 981 5201	Bearing	1			●	●	●
4	102.299	387 262 6002	Input shaft 20 T	1	Excl. 714.402/3/4-432/7-440/1	●			
4	102.296	387 262 7602	Input shaft	1	Only 714.403-404-440-441	●			
4	102.295	387 262 4002	Input shaft	1	Only 714.402-432-437	●			
4	102.292	387 262 4202	Input shaft	1	Excl. 715.100/1/2/3-111-113		●		
4	102.297	387 262 7202	Input shaft	1	Only 715.100-101-111-113		●		
4	102.298	387 262 6402	Input shaft	1	Only 715.102-103		●		
4	102.300	387 262 4302	Input shaft 25 T	1				●	
4	102.293	387 262 4402	Input shaft	1	Excl. 714.626-670-674				●
4	102.301	387 262 6702	Input shaft	1	Only 714.626-670-674				●
5	130.579	002 981 1412	Bearing	1		●			
5	137.206	002 981 1312	Needle cage	1			●	●	●
6	109.344	387 262 5034	Synchronizer flange	1		●	●		●
6	109.129	387 262 5134	Synchronizer flange	1				●	
7	111.204	387 262 1093	Spap ring	2		●	●	●	●
8	119.112	389 262 0637	Synchronizer cone	2		●	●	●	●
9	157.614	387 262 0935	Synchronizer hub	1		●			
9	157.611	387 262 2135	Synchronizer hub	1			●	●	●
10	154.215	387 262 1523	Sliding sleeve	1		●	●	●	●
11	109.346	387 262 4934	Synchronizer flange	1		●			
11	109.131	389 262 5634	Synchronizer flange	1			●	●	●
12	145.649	387 262 0115	Gear 5th Speed 22 T	1		●			
12	145.637	387 262 2015	Gear 5th Speed 22 T	1			●		
12	145.645	387 262 2215	Gear 5th Speed 27 T	1				●	
12	145.634	387 262 2315	Gear 5th Speed 22 T	1					●
13	141.161	389 265 2349	Slide	2		●	●	●	●
14	137.212	007 981 2810	Needle cage	1		●			
14	137.184	009 981 1410	Needle cage	1			●	●	
14	137.182	008 981 8310	Needle cage D.75x83x55	1					●

Notes

(A) G4/65 Up to gearbox 157730
(C) G4/65 Up to gearbox 345971
(E) G4/95 - GO4/105 Up to gearbox 348399
(F) G4/95 - GO4/105 From gearbox 348400
(G) G4/95 - GO4/105 Up to gearbox 124518

(B) G4/65 From gearbox 157731
(D) G4/65 From gearbox 345972
G4/110 Up to gearbox 355346
G4/110 From gearbox 355347
(H) G4/95 - GO4/105 From gearbox 124519

Date

01 / 2004

Table

002

Suitable To: MERCEDES

G4/65 - 95 - 105 - 110 (6 Speeds)

CHASSIS G4/65 - G4/95 - G4/110 6 Speeds

615.XXX - 616.XXX - 617.XXX
619.XXX - 621.XXX - 624.XXX

(MK Series)

650.XXX - 651.XXX - 652.XXX
653.XXX - 654.XXX - 656.XXX

(SK Series)

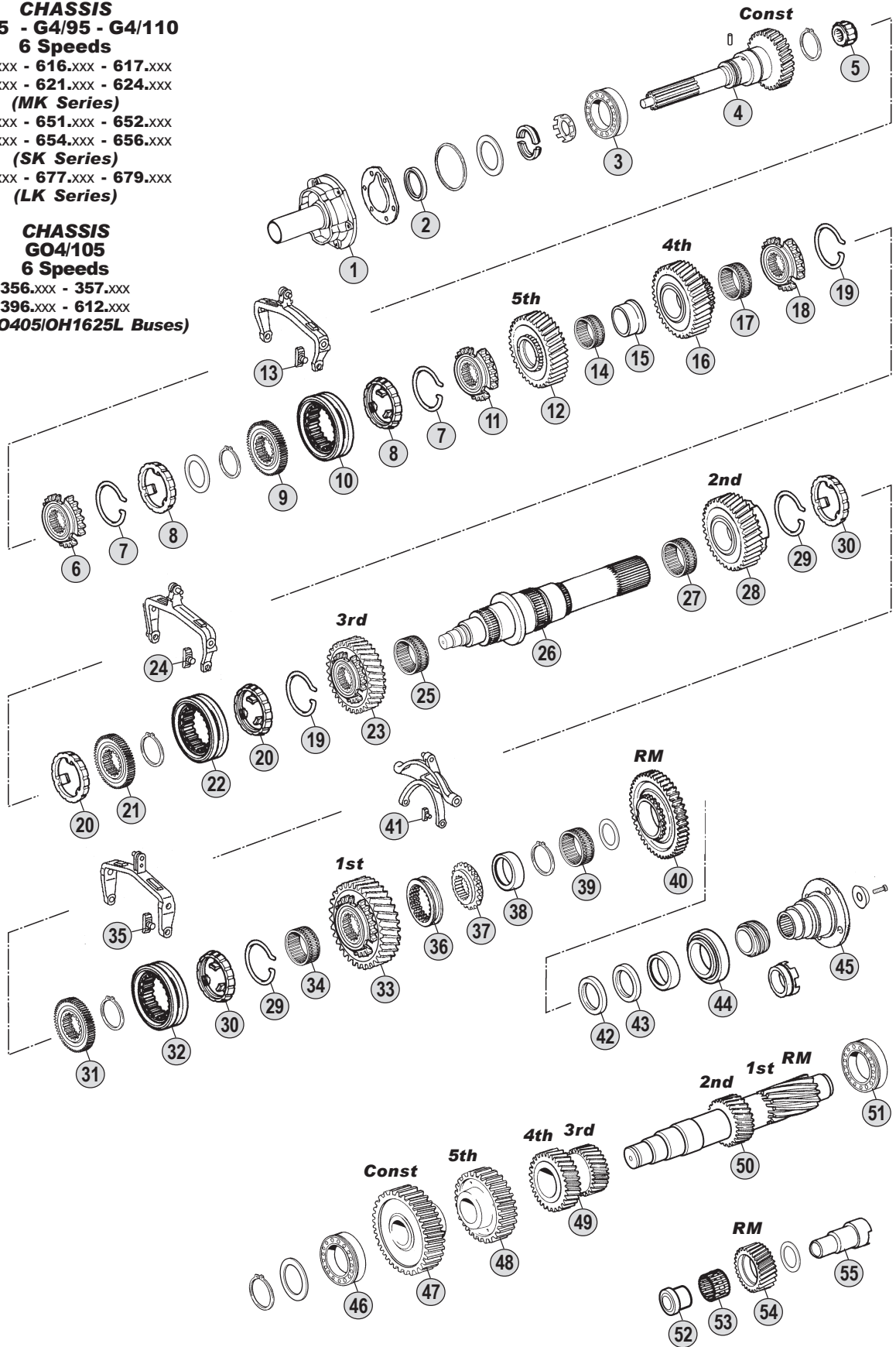
676.XXX - 677.XXX - 679.XXX

(LK Series)

CHASSIS GO4/105 6 Speeds

356.XXX - 357.XXX
396.XXX - 612.XXX

(O404/O405/OH1625L Buses)



All original equipment manufacturers' numbers, symbols, pictures, models and description used in this catalogue are for reference only, and it is not implied that any part listed is the product of these manufactures. Tutti i nostri particolari non sono originali ma con essi intercambiabili. I riferimenti originali, le figure, i modelli sono esposti a semplice titolo indicativo. La nostra produzione riporta il nostro marchio.

Models

G4/65-6/9,0	714.400-401-402-403-404-430-431-432-433-434-435-436-437-438-439-440-441-442
G4/65-6/9,0	714.600-601-610-614-615-616-617-618 715.100-101-102-103-111-113
GO4/105-6/7,18	714.602-606
G4/110-6/9,0	714.620-621-626-630-631-664-670-674



Fig.	CEI no.	MB no.	Description	Q.ty	Note	G4/65-6/9,0				G4/95-9/9,0				GO4/105-6/7,18				G4/110-6/9,0			
15	117.334	387 262 0350	Bush	1		●															
15	117.330	387 262 0550	Bush	1			●	●													
15	117.279	387 262 0150	Bush	1														●			
16	145.643	387 262 3414	Gear 4th Speed 24 T	1		●															
16	145.628	387 262 3514	Gear 4th Speed 24 T	1			●														
16	145.644	387 262 3714	Gear 4th Speed 30 T	1														●			
16	145.633	387 262 3814	Gear 4th Speed 24 T	1															●		
17	137.208	009 981 0210	Needle cage	1		●															
17	137.187	009 981 1510	Needle cage	1			●	●													
17	137.205	008 981 9910	Needle cage	1															●		
18	109.131	389 262 5634	Synchronizer flange	1	(C)	●															
18	109.347	389 262 5934	Synchronizer flange	1	(D)	●															
18	109.130	387 262 4534	Synchronizer flange	1	(E)		●	●	●												
18	109.343	387 262 4834	Synchronizer flange	1	(F)		●	●	●	●											
19	111.204	387 262 1093	Spap ring	2		●	●	●	●												
20	119.112	389 262 0637	Synchronizer cone	2		●	●	●	●												
21	157.620	387 262 0835	Synchronizer hub	1		●															
21	157.617	387 262 2035	Synchronizer hub	1			●	●	●												
22	154.215	387 262 1523	Sliding sleeve	1	(CE)	●	●	●	●												
22	154.302	387 262 1423	Sliding sleeve	1	(DF)	●	●	●	●												
23	145.641	387 262 1613	Gear 3rd Speed 30 T	1	(C)	●															
23	145.642	387 262 4313	Gear 3rd Speed 30 T	1	(D)	●															
23	145.632	387 262 1813	Gear 3rd Speed 30 T	1	(E)		●														
23	145.631	387 262 4413	Gear 3rd Speed 30 T	1	(F)		●														
23	145.646	387 262 3813	Gear 3rd Speed 35 T	1	(E)													●			
23	145.650	387 262 4913	Gear 3rd Speed 35 T	1	(F)													●			
23	145.630	387 262 0813	Gear 3rd Speed 30 T	1	(E)														●		
23	145.629	387 262 5313	Gear 3rd Speed 30 T	1	(F)														●		
24	141.161	389 265 2349	Slide	2		●	●	●	●												
25	137.211	010 981 1210	Needle cage	1		●															
25	137.203	009 981 1710	Needle cage	1			●	●													
25	137.204	007 981 5510	Needle cage	1															●		
26	103.158	387 262 1705	Main shaft	1		●															
26	103.154	387 262 2105	Main shaft	1	(G)		●	●													
26	103.155	387 262 2405	Main shaft	1	(H)		●	●													
26	103.153	387 262 2005	Main shaft	1															●		
27	137.211	010 981 1210	Needle cage	1		●															
27	137.201	009 981 1810	Needle cage	1			●	●													
27	137.199	008 981 9710	Needle cage	1															●		
28	145.429	387 262 0412	Gear 2nd Speed 38 T	1	(C)	●															
28	145.640	387 262 3312	Gear 2nd Speed 38 T	1	(D)	●															
28	145.636	387 262 0812	Gear 2nd Speed 38 T	1	(E)		●														
28	145.635	387 262 3412	Gear 2nd Speed 38 T	1	(F)		●														
28	145.651	387 262 2712	Gear 2nd Speed 42 T	1	(E)														●		
28	145.652	387 262 3912	Gear 2nd Speed 42 T	1	(F)														●		

6 Speeds
G4/65 - 95 - 110
GO105

All original equipment manufacturers' numbers, symbols, pictures, models and description used in this catalogue are for reference only, and it is not implied that any part listed is the product of these manufactures.
Tutti i nostri particolari non sono originali ma con essi intercambiabili. I riferimenti originali, le figure, i modelli sono esposti a semplice titolo indicativo. La nostra produzione riporta il nostro marchio.

Notes

(A) G4/65 Up to gearbox 157730
(C) G4/65 Up to gearbox 345971
(E) G4/95 - GO4/105 Up to gearbox 348399
(F) G4/95 - GO4/105 From gearbox 348400
(G) G4/95 - GO4/105 Up to gearbox 124518

(B) G4/65 From gearbox 157731
(D) G4/65 From gearbox 345972
G4/110 Up to gearbox 355346
G4/110 From gearbox 355347
(H) G4/95 - GO4/105 From gearbox 124519

Date

01 / 2004

Table

002

Suitable To: MERCEDES

G4/65 - 95 - 105 - 110 (6 Speeds)

CHASSIS G4/65 - G4/95 - G4/110 6 Speeds

615.XXX - 616.XXX - 617.XXX
619.XXX - 621.XXX - 624.XXX

(MK Series)

650.XXX - 651.XXX - 652.XXX
653.XXX - 654.XXX - 656.XXX

(SK Series)

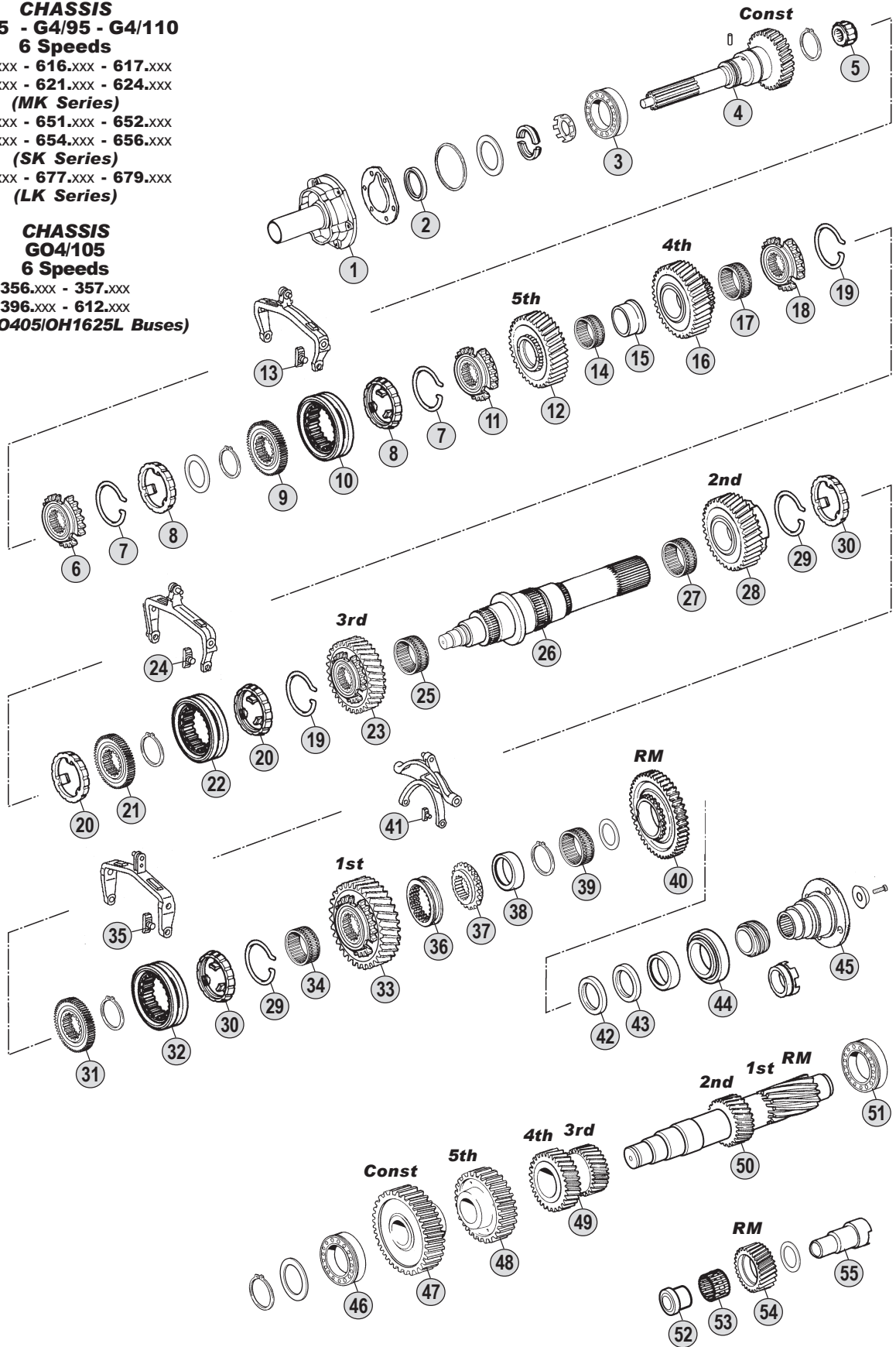
676.XXX - 677.XXX - 679.XXX

(LK Series)

CHASSIS GO4/105 6 Speeds

356.XXX - 357.XXX
396.XXX - 612.XXX

(O404/O405/OH1625L Buses)



Models

G4/65-6/9,0	714.400-401-402-403-404-430-431-432-433-434-435-436-437-438-439-440-441-442
G4/65-6/9,0	714.600-601-610-614-615-616-617-618 715.100-101-102-103-111-113
GO4/105-6/7,18	714.602-606
G4/110-6/9,0	714.620-621-626-630-631-664-670-674



All original equipment manufacturers' numbers, symbols, pictures, models and description used in this catalogue are for reference only, and it is not implied that any part listed is the product of these manufactures. Tutti i nostri particolari non sono originali ma con essi intercambiabili. I riferimenti originali, le figure, i modelli sono esposti a semplice titolo indicativo. La nostra produzione riporta il nostro marchio.

Fig.	CEI no.	MB no.	Description	Q.ty	Note				
						G4/65-6/9,0	G4/95-6/9,0	GO4/105-6/7,18	G4/110-6/9,0
28	145.627	387 262 0212	Gear 2nd Speed 38 T	1	(E)				●
28	145.626	387 262 3212	Gear 2nd Speed 38 T	1	(F)				●
29	111.205	387 262 0893	Spap ring	2		●	●	●	●
30	119.161	389 262 0737	Synchronizer cone	2		●	●	●	●
31	157.619	387 262 0735	Synchronizer hub	1	(C)	●			
31	157.618	387 262 3535	Synchronizer hub	1	(D)	●			
31	157.623	387 262 0435	Synchronizer hub	1	(E)		●	●	●
31	157.622	387 262 3435	Synchronizer hub	1	(F)		●	●	●
32	154.216	387 262 0623	Sliding sleeve	1	(CE)	●	●	●	●
32	154.301	387 262 1323	Sliding sleeve	1	(DF)	●	●	●	●
33	145.428	387 262 0411	Gear 1st speed 50 T	1	(C)	●			
33	145.639	387 262 3011	Gear 1st Speed 50 T	1	(D)	●			
33	145.647	387 262 0911	Gear 1st Speed 50 T	1	(E)		●		
33	145.648	387 262 2611	Gear 1st Speed 50 T	1	(F)		●		
33	145.653	387 262 2011	Gear 1st Speed 49 T	1	(E)			●	
33	145.654	387 262 2911	Gear 1st Speed 49 T	1	(F)			●	
33	145.638	387 262 0211	Gear 1st Speed 50 T	1	(E)				●
33	145.657	387 262 2511	Gear 1st Speed 50 T	1	(F)				●
34	137.210	009 981 0110	Needle cage	1		●			
34	137.186	008 981 9410	Needle cage	1			●	●	
34	137.198	021 981 9410	Needle cage	1					●
35	141.161	389 265 2349	Slide	2		●	●	●	●
36	154.229	387 262 0023	Sleeve	1		●	●	●	●
37	157.621	387 262 0335	Synchronizer hub	1		●			
37	157.613	387 262 0036	Hub	1	(G)		●	●	
37	157.612	387 262 0436	Hub	1	(H)		●	●	
37	157.613	387 262 0036	Hub	1					●
38	117.333	387 262 0850	Bush	1		●			
38		387 262 1550	Bush	1	(G)		●	●	
38	117.329	387 262 1450	Bush	1					●
39	137.209	010 981 1710	Needle cage	1		●			
39	137.186	008 981 9410	Needle cage	1	(G)		●	●	
39	137.200	013 981 1210	Needle cage	1	(H)		●	●	
39	137.198	021 981 9410	Needle cage	1					●
40	147.175	387 262 0533	Reverse gear	1		●			
40	147.172	387 262 0233	Reverse gear	1	(G)		●		
40	147.170	387 262 1033	Reverse gear	1	(H)		●		
40	145.656	387 262 0933	Reverse gear 47 T	1	(G)			●	
40	145.655	387 262 1533	Reverse gear 47 T	1	(H)			●	
40	147.173	387 262 0033	Reverse gear	1					●
41	141.160	945 265 0149	Slide	2		●	●	●	●
42	139.564	017 997 2547	Oil seal	1		●	●	●	●
43	139.563	017 997 7947	Oil seal	1		●	●	●	●
44	130.578	004 981 5525	Bearing	1		●			
44	130.572	008 981 5301	Bearing	1			●	●	●

6 Speeds
G4/65 - 95 - 110
GO105

All original equipment manufacturers numbers, symbols, pictures, models and description used in this catalogue are for reference only, and it is not implied that any part listed is the product of these manufactures.
Tutti i nostri particolari non sono originali ma con essi intercambiabili. I riferimenti originali, le figure, i modelli sono esposti a semplice titolo indicativo. La nostra produzione riporta il nostro marchio.

Notes

(A) G4/65 Up to gearbox 157730
(C) G4/65 Up to gearbox 345971
(E) G4/95 - GO4/105 Up to gearbox 348399
(F) G4/95 - GO4/105 From gearbox 348400
(G) G4/95 - GO4/105 Up to gearbox 124518

(B) G4/65 From gearbox 157731
(D) G4/65 From gearbox 345972
G4/110 Up to gearbox 355346
G4/110 From gearbox 355347
(H) G4/95 - GO4/105 From gearbox 124519

Date

01 / 2004

Table

002

Suitable To: **MERCEDES**

G4/65 - 95 - 105 - 110 (6 Speeds)

**CHASSIS
G4/65 - G4/95 - G4/110
6 Speeds**

615.XXX - 616.XXX - 617.XXX
619.XXX - 621.XXX - 624.XXX

(MK Series)

650.XXX - 651.XXX - 652.XXX
653.XXX - 654.XXX - 656.XXX

(SK Series)

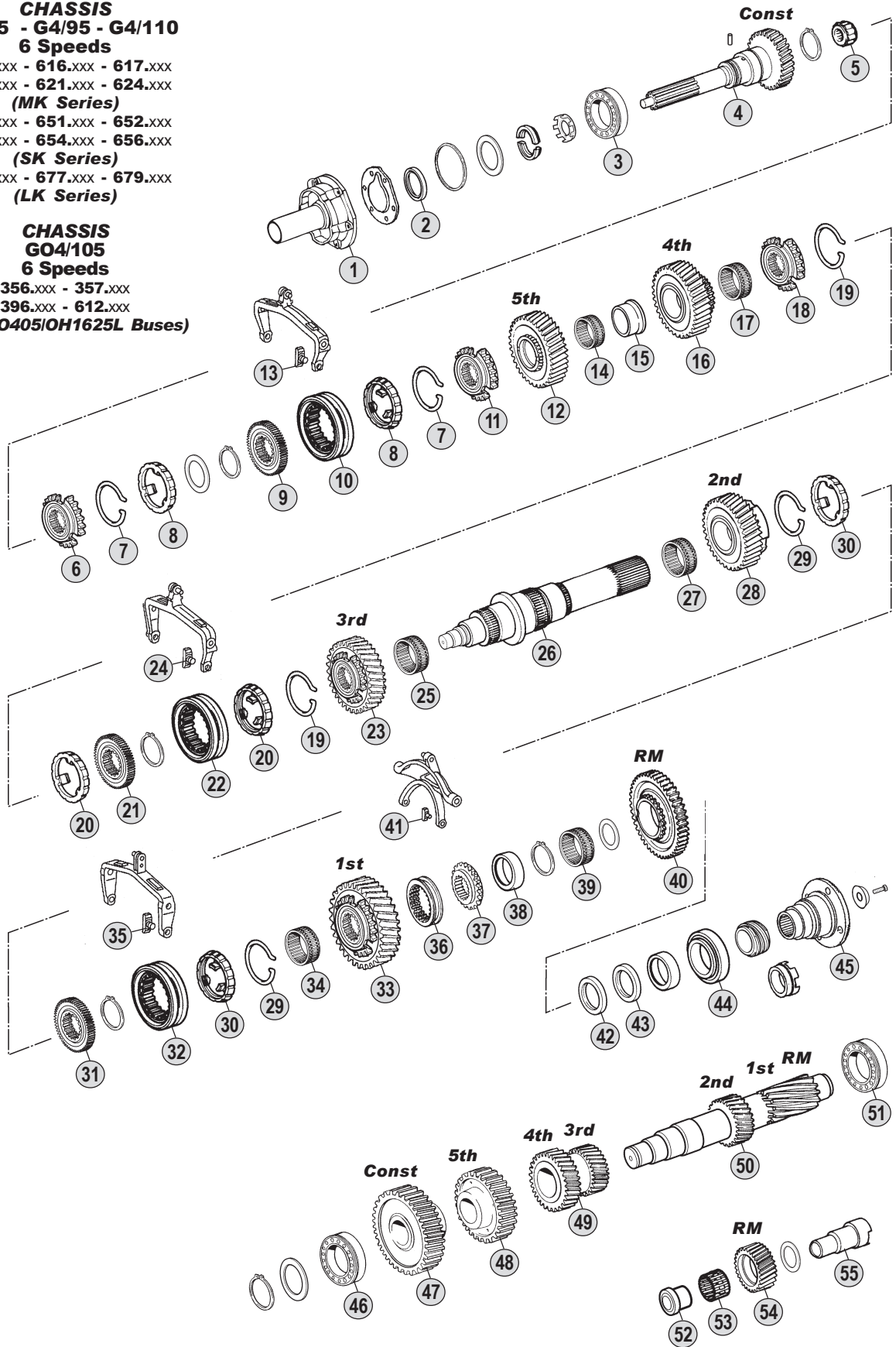
676.XXX - 677.XXX - 679.XXX

(LK Series)

**CHASSIS
GO4/105
6 Speeds**

356.XXX - 357.XXX
396.XXX - 612.XXX

(O404/O405/OH1625L Buses)



Models

G4/65-6/9,0	714.400-401-402-403-404-430-431-432-433-434-435-436-437-438-439-440-441-442
G4/65-6/9,0	714.600-601-610-614-615-616-617-618 715.100-101-102-103-111-113
GO4/105-6/7,18	714.602-606
G4/110-6/9,0	714.620-621-626-630-631-664-670-674



All original equipment manufacturers' numbers, symbols, pictures, models and description used in this catalogue are for reference only, and it is not implied that any part listed is the product of these manufactures. Tutti i nostri particolari non sono originali ma con essi intercambiabili. I riferimenti originali, le figure, i modelli sono esposti a semplice titolo indicativo. La nostra produzione riporta il nostro marchio.

Fig.	CEI no.	MB no.	Description	Q.ty	Note	G4/65-6/9,0				G4/95-9/9,0				GO4/105-6/7,18				G4/110-6/9,0			
45	197.089	387 262 0345	Output flange D.150	1		●															
45	197.091	387 262 0845	Output flange D.150	1		●															
45	197.090	387 262 1045	Output flange D.150	1			●	●	●												
45	197.088	387 262 0145	Output flange D.150	1			●	●													
45	197.092	387 262 0745	Output flange D.165	1			●		●												
46	130.573	001 981 3105	Bearing	1		●															
46	130.571	009 981 3105	Bearing	1			●	●	●												
47	146.513	387 263 0110	Constant gear	1		●															
47	146.512	387 263 1510	Constant gear	1			●														
47	146.514	387 263 2510	Constant gear 44 T	1				●													
47	146.510	387 263 1810	Constant gear 43 T	1						●											
48	146.338	387 263 0115	Gear 5th Speed 34 T	1		●															
48	146.511	387 263 0215	Gear 5th Speed	1			●														
48	146.515	387 263 0815	Gear 5th Speed 38 T	1				●													
48	146.509	387 263 0015	Gear 5th Speed 34 T	1						●											
49	143.088	387 263 0713	Double gear 4th-3rd Sp.25/21 T	1		●															
49	143.110	387 263 0613	Double gear 4th-3rd Sp.25/21 T	1			●														
49	143.111	387 263 1213	Double gear 4th-3rd Sp.31/24 T	1				●													
49	143.109	387 263 1313	Double gear 4th-3rd Sp.25/21 T	1						●											
50	105.137	387 263 0102	Countershaft 16/12 T	1		●															
50	105.136	387 263 1902	Countershaft 16/12 T	1			●														
50	105.138	387 263 2902	Countershaft 18/12 T	1				●													
50	105.135	387 263 2002	Countershaft	1						●											
51	130.542	010 981 5905	Bearing	1		●															
51	130.571	009 981 3105	Bearing	1			●	●	●												
52	117.332	387 263 0850	Bush	1		●	●	●													
52		387 263 0950	Bush	1	To Rev. Pin 387 263 0530													●			
52	117.331	387 263 1250	Bush	1	To Rev. Pin 387 263 1430													●			
53	137.202	010 981 5110	Needle cage	1		●	●	●													
53	137.207	010 981 5210	Needle cage	1						●											
54	147.118	387 263 1131	Gear 21 t.	1		●															
54	147.169	387 263 1231	Reverse gear	1			●														
54	147.174	387 263 1631	Reverse gear 20 T	1				●													
54	147.171	387 263 0631	Reverse gear 21 T	1						●											
55	107.179	387 263 0630	Reverse shaft	1		●															
55	107.178	387 263 0830	Reverse shaft	1			●	●													
55		387 263 0530	Reverse shaft	1	To Bush 387 263 0950													●			
55	107.177	387 263 1430	Reverse shaft	1	To Bush 387 263 1250													●			

6 Speeds
G4/65 - 95 - 110
GO105

All original equipment manufacturers numbers, symbols, pictures, models and description used in this catalogue are for reference only, and it is not implied that any part listed is the product of these manufactures.
Tutti i nostri particolari non sono originali ma con essi intercambiabili. I riferimenti originali, le figure, i modelli sono esposti a semplice titolo indicativo. La nostra produzione riporta il nostro marchio.

Notes

(A) G4/65 Up to gearbox 157730
(C) G4/65 Up to gearbox 345971
(E) G4/95 - GO4/105 Up to gearbox 348399
(F) G4/95 - GO4/105 From gearbox 348400
(G) G4/95 - GO4/105 Up to gearbox 124518

(B) G4/65 From gearbox 157731
(D) G4/65 From gearbox 345972
G4/110 Up to gearbox 355346
G4/110 From gearbox 355347
(H) G4/95 - GO4/105 From gearbox 124519

Date

01 / 2004

Table

002

Suitable To: MERCEDES

GO4/120 - 130 - 160 (6 Speeds)

CHASSIS

GO4/120 - GO4/130 - GO4/160

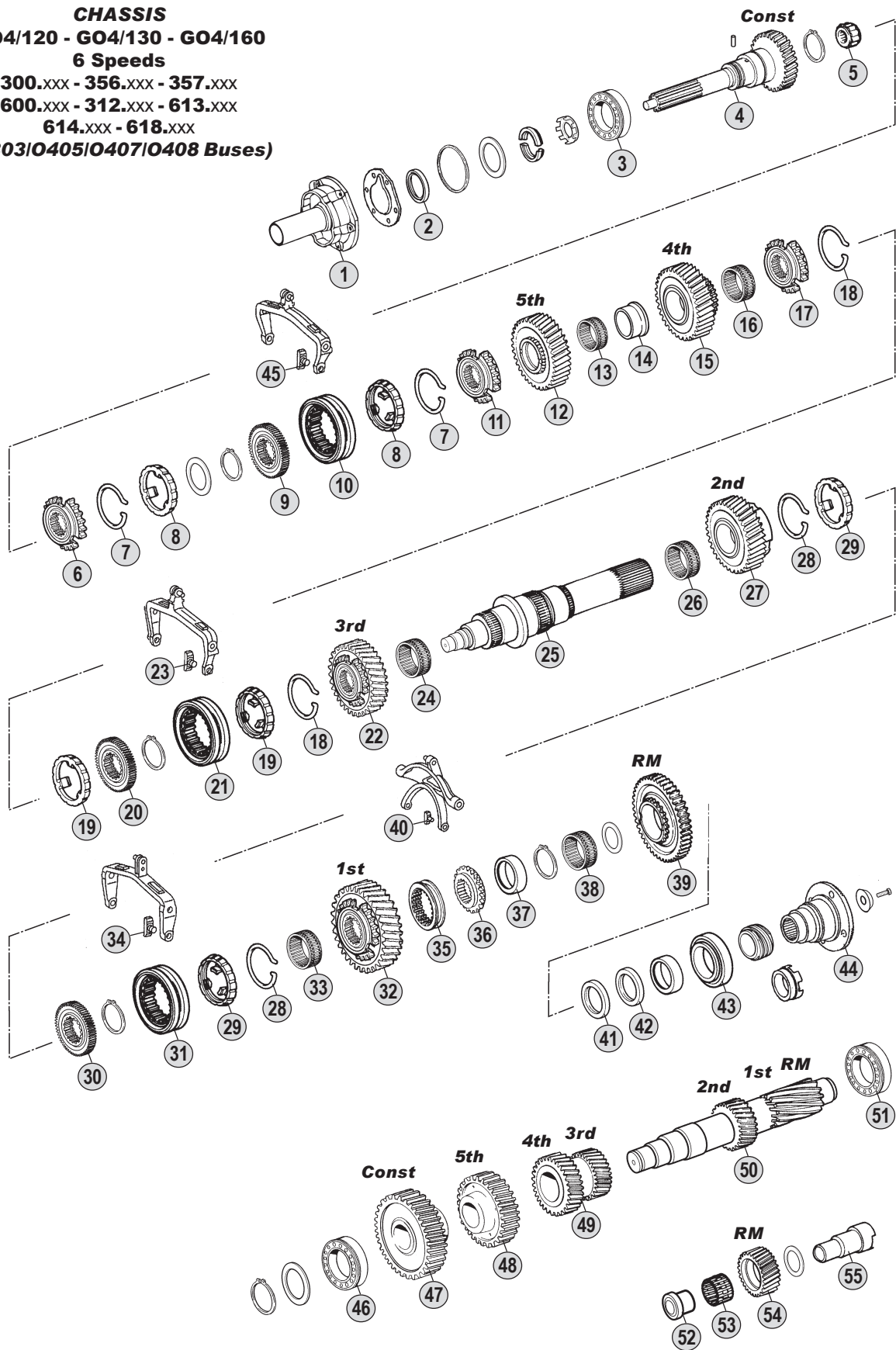
6 Speeds

300.XXX - 356.XXX - 357.XXX

600.XXX - 312.XXX - 613.XXX

614.XXX - 618.XXX

(O303/O405/O407/O408 Buses)



Models

GO4/120-6/7,18 714.605-619

GO4/130-6/7,18 714.622-667

GO4/160-6/7,18 714.623-668-669(EPS)-671-675

All original equipment manufacturers' numbers, symbols, pictures, models and description used in this catalogue are for reference only, and it is not implied that any part listed is the product of these manufactures. Tutti i nostri particolari non sono originali ma con essi intercambiabili. I riferimenti originali, le figure, i modelli sono esposti a semplice titolo indicativo. La nostra produzione riporta il nostro marchio.



GO4/120-6/7,18
GO4/130-6/7,18
GO4/160-6/7,18

6 Speeds
GO4/120 - 130
160

All original equipment manufacturers numbers, symbols, pictures, models and description used in this catalogue are for reference only, and it is not implied that any part listed is the product of these manufactures.
Tutti i nostri particolari non sono originali ma con essi intercambiabili. I riferimenti originali, le figure, i modelli sono esposti a semplice titolo indicativo. La nostra produzione riporta il nostro marchio.

Fig.	CEI no.	MB no.	Description	Q.ty	Note	GO4/120-6/7,18	GO4/130-6/7,18	GO4/160-6/7,18		
1	135.143	387 261 2318	Front cover	1		●		●		
1	135.137	387 261 2218	Front cover	1			●			
2	139.549	015 997 1647	Seal ring	1		●		●		
2		007 997 9647	Seal ring	1	Old Type		●			
2	139.548	015 997 0347	Seal ring	1	New Type		●			
3	130.574	008 981 5201	Bearing	1		●	●	●		
4	102.303	387 262 6302	Input shaft	1		●				
4	102.302	387 262 4502	Input shaft 25 T	1			●			
4	102.205	387 262 6202	Input shaft 25 T	1				●		
5	137.206	002 981 1312	Needle cage	1		●	●	●		
6	109.129	387 262 5134	Synchronizer flange	1		●	●	●		
7	111.204	387 262 1093	Spap ring	2		●	●	●		
8	119.112	389 262 0637	Synchronizer cone	2		●	●	●		
9	157.611	387 262 2135	Synchronizer hub	1		●	●	●		
10	154.215	387 262 1523	Sliding sleeve	1		●	●	●		
11	109.131	389 262 5634	Synchronizer flange	1		●	●	●		
12	145.645	387 262 2215	Gear 5th Speed 27 T	1		●				
12	145.430	387 262 2515	Gear 5th Speed 27 T	1			●	●		
13	137.184	009 981 1410	Needle cage	1		●				
13	137.182	008 981 8310	Needle cage D.75x83x55	1			●	●		
14	117.330	387 262 0550	Bush	1		●				
14	117.279	387 262 0150	Bush	1			●	●		
15	145.644	387 262 3714	Gear 4th Speed 30 T	1		●				
15	145.568	387 262 4014	Gear 4th Speed 30 T	1			●	●		
16	137.187	009 981 1510	Needle cage	1		●				
16	137.205	008 981 9910	Needle cage	1			●	●		
17	109.130	387 262 4534	Synchronizer flange	1	(AC)	●	●	●		
17	109.343	387 262 4834	Synchronizer flange	1	(BD)	●	●	●		
18	111.204	387 262 1093	Spap ring	2		●	●	●		
19	119.112	389 262 0637	Synchronizer cone	2		●	●	●		
20	157.617	387 262 2035	Synchronizer hub	1		●	●	●		
21	154.215	387 262 1523	Sliding sleeve	1	(AC)	●	●	●		
21	154.302	387 262 1423	Sliding sleeve	1	(BD)	●	●	●		
22	145.646	387 262 3813	Gear 3rd Speed 35 T	1	(A)	●				
22	145.650	387 262 4913	Gear 3rd Speed 35 T	1	(B)	●				
22	145.658	387 262 3713	Gear 3rd Speed 35 T	1	(C)		●	●		
22	145.659	387 262 4813	Gear 3rd Speed 35 T	1	(D)		●	●		
23	141.161	389 265 2349	Slide	2		●	●	●		
24	137.203	009 981 1710	Needle cage	1		●				
24	137.204	007 981 5510	Needle cage	1			●	●		
25	103.154	387 262 2105	Main shaft	1	(E)	●				
25	103.155	387 262 2405	Main shaft	1	(F)	●				
25	103.153	387 262 2005	Main shaft	1			●	●		
26	137.201	009 981 1810	Needle cage	1		●				
26	137.199	008 981 9710	Needle cage	1			●	●		

Notes

- (A) GO4/120 Up to gearbox 348399 (B) GO4/120 From gearbox 348400
 (C) GO4/130 - 160 Up to gearbox 355346 (D) GO4/130 - 160 From gearbox 355347
 (E) GO4/120 Up to gearbox 124518 (F) GO4/120 From gearbox 124519
 (1) For Series 714.622 GO4/130 Up to gearbox 153191 is used 387 263 1602 Countershaft.
 This version is **NOT** interchangeable with 387 262 2802.

Date

01 / 2004

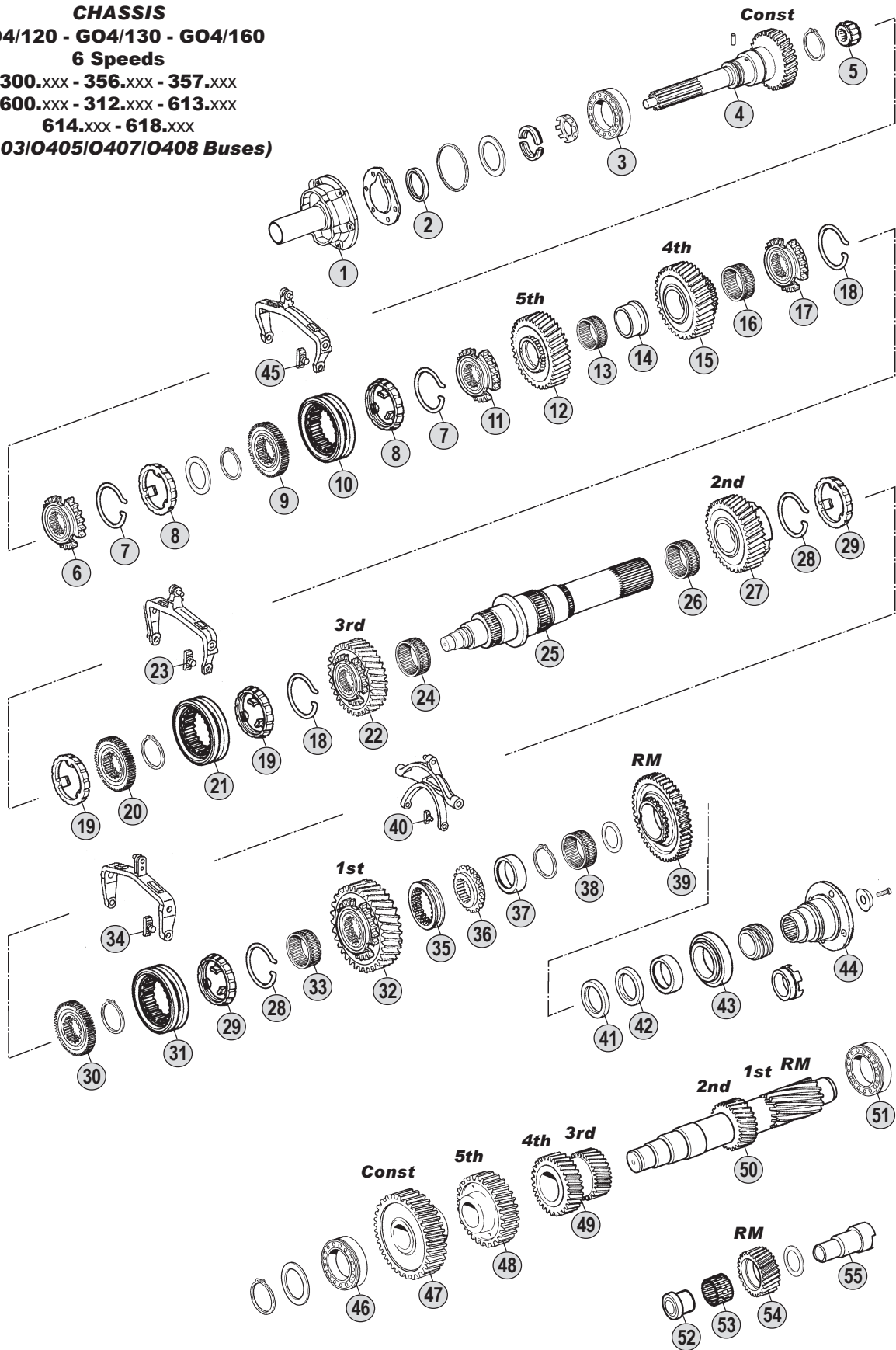
Table

003

Suitable To: MERCEDES

GO4/120 - 130 - 160 (6 Speeds)

CHASSIS
GO4/120 - GO4/130 - GO4/160
6 Speeds
300.XXX - 356.XXX - 357.XXX
600.XXX - 312.XXX - 613.XXX
614.XXX - 618.XXX
(O303/O405/O407/O408 Buses)



Models

GO4/120-6/7,18	714.605-619
GO4/130-6/7,18	714.622-667
GO4/160-6/7,18	714.623-668-669(EPS)-671-675



All original equipment manufacturers' numbers, symbols, pictures, models and description used in this catalogue are for reference only, and it is not implied that any part listed is the product of these manufacturers. Tutti i nostri particolari non sono originali ma con essi intercambiabili. I riferimenti originali, le figure, i modelli sono esposti a semplice titolo indicativo. La nostra produzione riporta il nostro marchio.

All original equipment manufacturers numbers, symbols, pictures, models and description used in this catalogue are for reference only, and it is not implied that any part listed is the product of these manufactures.
Tutti i nostri particolari non sono originali ma con essi intercambiabili. I riferimenti originali, le figure, i modelli sono esposti a semplice titolo indicativo. La nostra produzione riporta il nostro marchio.

Fig.	CEI no.	MB no.	Description	Q.ty	Note	GO4/120-6/7,18	GO4/130-6/7,18	GO4/160-6/7,18			
27	145.651	387 262 2712	Gear 2nd Speed 42 T	1	(A)	●					
27	145.652	387 262 3912	Gear 2nd Speed 42 T	1	(B)	●					
27	145.660	387 262 2612	Gear 2nd Speed 42 T	1	(C)		●	●			
27	145.661	387 262 3812	Gear 2nd Speed 42 T	1	(D)		●	●			
28	111.205	387 262 0893	Spap ring	2		●	●	●			
29	119.161	389 262 0737	Synchronizer cone	2		●	●	●			
30	157.623	387 262 0435	Synchronizer hub	1	(AC)	●	●	●			
30	157.622	387 262 3435	Synchronizer hub	1	(BD)	●	●	●			
31	154.216	387 262 0623	Sliding sleeve	1	(AC)	●	●	●			
31	154.301	387 262 1323	Sliding sleeve	1	(BD)	●	●	●			
32	145.653	387 262 2011	Gear 1st Speed 49 T	1	(A)	●					
32	145.654	387 262 2911	Gear 1st Speed 49 T	1	(B)	●					
32	145.662	387 262 1911	Gear 1st Speed 49 T	1	(C)		●	●			
32	145.663	387 262 2811	Gear 1st Speed 49 T	1	(D)		●	●			
33	137.186	008 981 9410	Needle cage	1		●					
33	137.198	021 981 9410	Needle cage	1			●	●			
34	141.161	389 265 2349	Slide	2		●	●	●			
35	154.229	387 262 0023	Sleeve	1		●	●				
35	154.229	387 262 0023	Sleeve	1	Excluded for 714.669			●			
35		387 262 0923	Sleeve	1	Only for 714.669			●			
36	157.613	387 262 0036	Hub	1	(E)	●					
36	157.612	387 262 0436	Hub	1	(F)	●					
36	157.613	387 262 0036	Hub	1			●	●			
37		387 262 1550	Bush	1	(E)	●					
37	117.329	387 262 1450	Bush	1			●	●			
38	137.186	008 981 9410	Needle cage	1	(E)	●					
38	137.200	013 981 1210	Needle cage	1	(F)	●					
38	137.198	021 981 9410	Needle cage	1			●	●			
39	147.176	387 262 1233	Reverse gear	1	(E)	●					
39	147.177	387 262 1633	Reverse gear 47 T	1	(F)	●					
39	147.178	387 262 0833	Reverse gear 47 T	1			●				
39	147.179	387 262 1133	Reverse gear 47 T	1				●			
40	141.160	945 265 0149	Slide	2		●	●	●			
41	139.564	017 997 2547	Oil seal	1		●	●	●			
42	139.563	017 997 7947	Oil seal	1		●	●	●			
43	130.572	008 981 5301	Bearing	1		●	●	●			
44	197.088	387 262 0145	Output flange D.150	1		●	●				
44	197.090	387 262 1045	Output flange D.150	1		●	●	●			
44	197.092	387 262 0745	Output flange D.165	1				●			
45	141.161	389 265 2349	Slide	2		●	●	●			
46	130.571	009 981 3105	Bearing	1		●	●	●			
47	146.514	387 263 2510	Constant gear 44 T	1		●					
47	146.340	387 263 2410	Constant gear 44 T	1			●	●			
48	146.515	387 263 0815	Gear 5th Speed 38 T	1		●					
48	146.494	387 263 0715	Gear 5th Speed 38 T	1			●	●			

Notes

- (A) GO4/120 Up to gearbox 348399 (B) GO4/120 From gearbox 348400
 (C) GO4/130 - 160 Up to gearbox 355346 (D) GO4/130 - 160 From gearbox 355347
 (E) GO4/120 Up to gearbox 124518 (F) GO4/120 From gearbox 124519
 (1) For Series 714.622 GO4/130 Up to gearbox 153191 is used 387 263 1602 Countershaft.
 This version is **NOT** interchangeable with 387 262 2802.

Date

01 / 2004

Table

003

Suitable To: MERCEDES

GO4/120 - 130 - 160 (6 Speeds)

CHASSIS

GO4/120 - GO4/130 - GO4/160

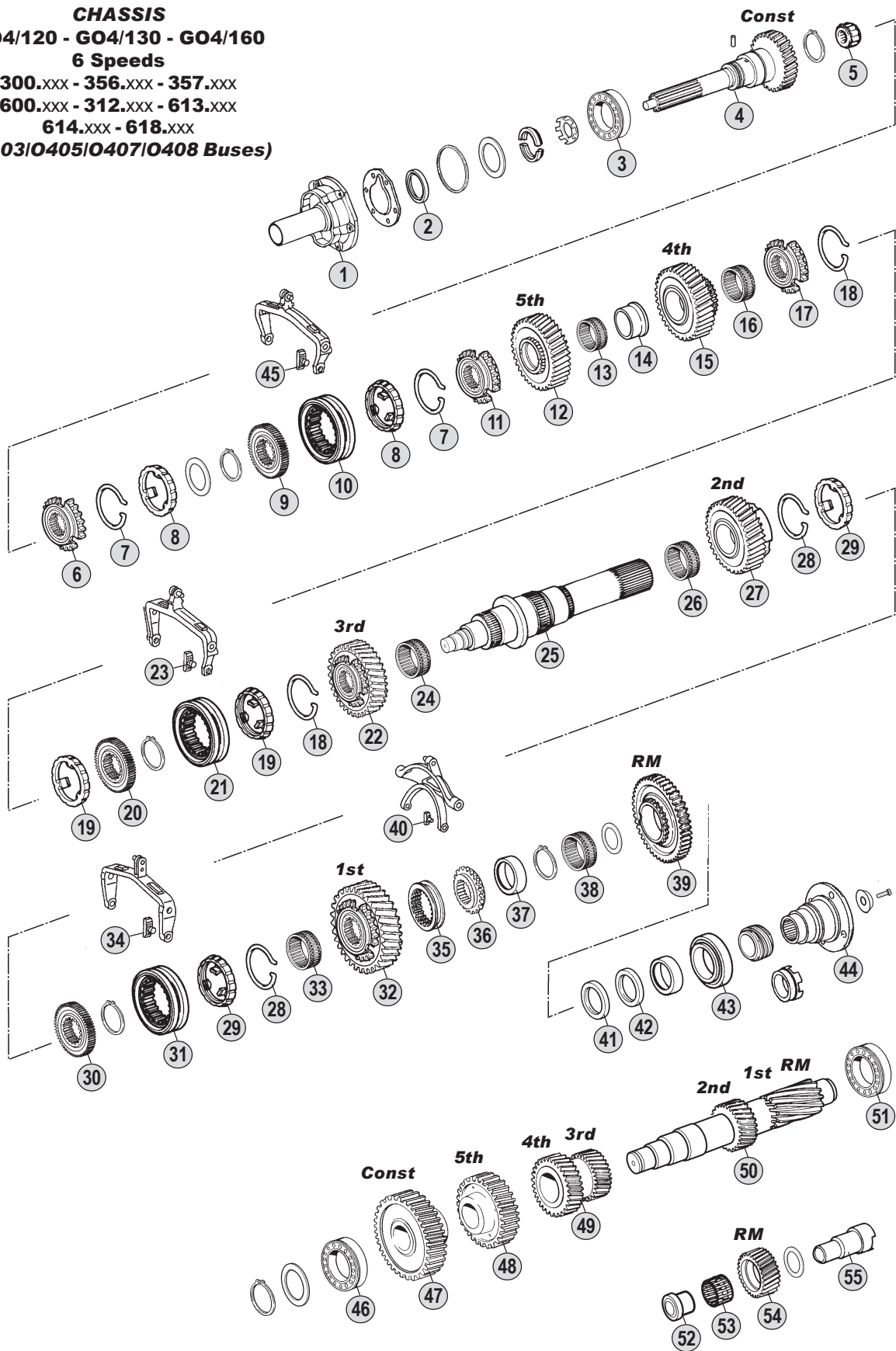
6 Speeds

300.XXX - 356.XXX - 357.XXX

600.XXX - 312.XXX - 613.XXX

614.XXX - 618.XXX

(O303/O405/O407/O408 Buses)



Models

GO4/120-6/7,18 714.605-619

GO4/130-6/7,18 714.622-667

GO4/160-6/7,18 714.623-668-669(EPS)-671-675



All original equipment manufacturers' numbers, symbols, pictures, models and description used in this catalogue are for reference only, and it is not implied that any part listed is the product of these manufactures. Tutti i nostri particolari non sono originali ma con essi intercambiabili. I riferimenti originali, le figure, i modelli sono esposti a semplice titolo indicativo. La nostra produzione riporta il nostro marchio.

GO4/120-6/7,18
GO4/130-6/7,18
GO4/160-6/7,18

All original equipment manufacturers' numbers, symbols, pictures, models and description used in this catalogue are for reference only, and it is not implied that any part listed is the product of these manufactures. Tutti i nostri particolari non sono originali ma con essi intercambiabili. I riferimenti originali, le figure, i modelli sono esposti a semplice titolo indicativo. La nostra produzione riporta il nostro marchio.

Fig.	CEI no.	MB no.	Description	Q.ty	Note	GO4/120-6/7,18	GO4/130-6/7,18	GO4/160-6/7,18		
49	143.111	387 263 1213	Double gear 4th-3rd Sp.31/24 T	1		●				
49	143.089	387 263 1113	Double gear 4th-3rd Sp.31/24 T	1			●	●		
50	105.138	387 263 2902	Countershaft 18/12 T	1		●				
50	105.139	387 263 2802	Countershaft 18/12 T	1	(1)		●	●		
51	130.571	009 981 3105	Bearing	1		●	●	●		
52	117.332	387 263 0850	Bush	1		●				
52		387 263 0950	Bush	1	To Rev. Pin 387 263 0530		●	●		
52	117.331	387 263 1250	Bush	1	To Rev. Pin 387 263 1430		●	●		
53	137.202	010 981 5110	Needle cage	1		●				
53	137.207	010 981 5210	Needle cage	1			●	●		
54	147.174	387 263 1631	Reverse gear 20 T	1		●				
54	147.180	387 263 1531	Reverse gear 20 T	1			●	●		
55	107.178	387 263 0830	Reverse shaft	1		●				
55		387 263 0530	Reverse shaft	1	To Bush 387 263 0950		●	●		
55	107.177	387 263 1430	Reverse shaft	1	To Bush 387 263 1250		●	●		

6 Speeds
GO4/120 - 130
160

Notes

- (A) GO4/120 Up to gearbox 348399
- (B) GO4/120 From gearbox 348400
- (C) GO4/130 - 160 Up to gearbox 355346
- (D) GO4/130 - 160 From gearbox 355347
- (E) GO4/120 Up to gearbox 124518
- (F) GO4/120 From gearbox 124519
- (1) For Series 714.622 GO4/130 Up to gearbox 153191 is used 387 263 1602 Countershaft. This version is **NOT** interchangeable with 387 262 2802.

Date

01 / 2004

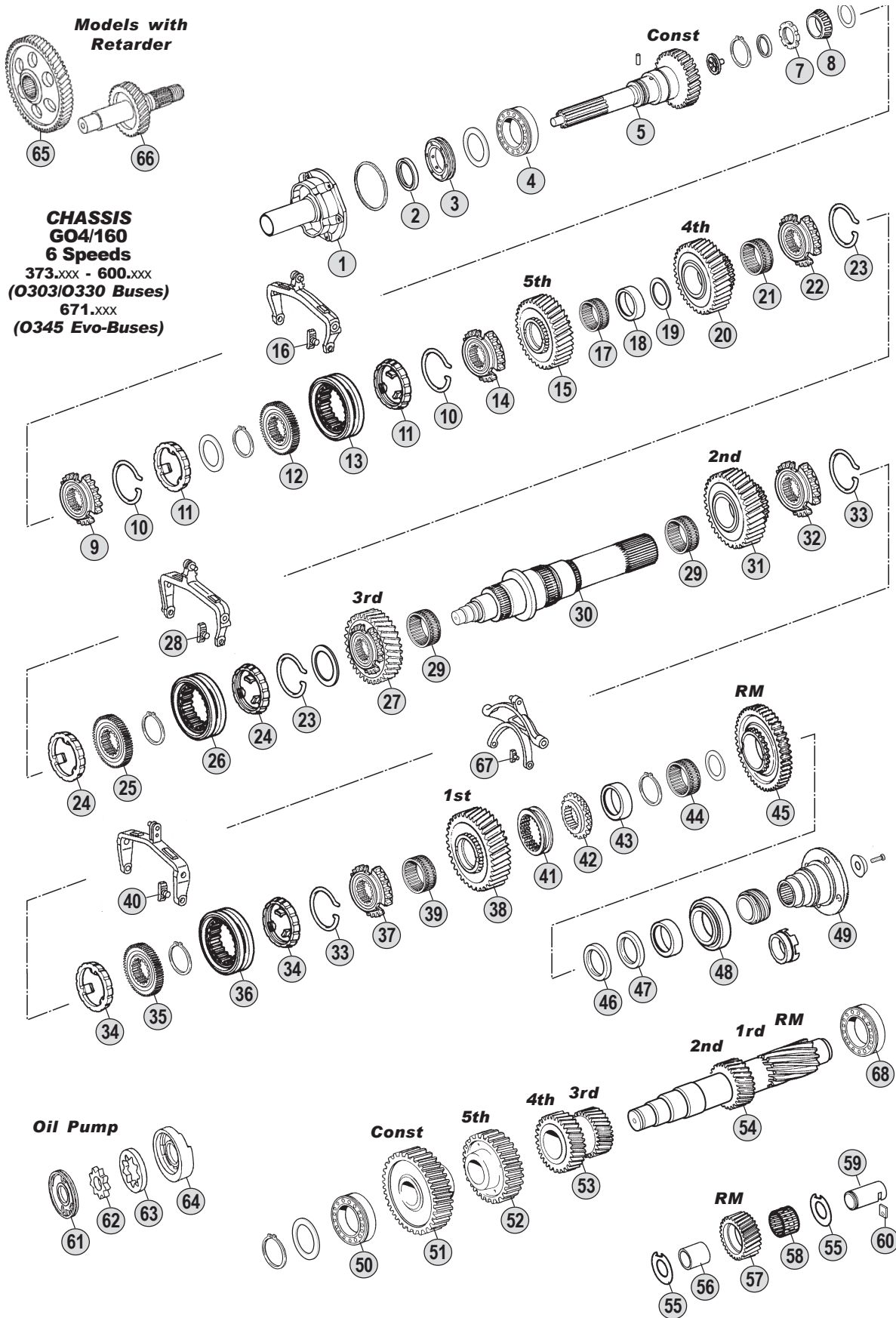
Table

003



Suitable To: MERCEDES

GO4/160 (6 Speeds)



Models with Retarder

CHASSIS GO4/160 6 Speeds
 373.xxx - 600.xxx
 (O303/O330 Buses)
 671.xxx
 (O345 Evo-Buses)

Models

GO4/160-6/8,2 714.690-691(EPS)-692-693-696(MPS)-697(MPS)-698(MPS)-699



All original equipment manufacturers' numbers, symbols, pictures, models and description used in this catalogue are for reference only, and it is not implied that any part listed is the product of these manufactures. Tutti i nostri particolari non sono originali ma con essi intercambiabili. I riferimenti originali, le figure, i modelli sono esposti a semplice titolo indicativo. La nostra produzione riporta il nostro marchio.

All original equipment manufacturers' numbers, symbols, pictures, models and description used in this catalogue are for reference only, and it is not implied that any part listed is the product of these manufactures.
Tutti i nostri particolari non sono originali ma con essi intercambiabili. I riferimenti originali, le figure, i modelli sono esposti a semplice titolo indicativo. La nostra produzione riporta il nostro marchio.

Fig.	CEI no.	MB no.	Description	Q.ty	Note					
1	135.144	389 261 4318	Front cover	1		●				
2	139.549	015 997 1647	Seal ring	1		●				
3	139.555	389 261 0665	Ring	1		●				
4	130.550	011 981 1305	Bearing	1		●				
5	102.263	389 262 3102	Input shaft 26 T	1		●				
5		656 262 0202	Input shaft 26 T	1		●				
7	187.611	945 990 0050	Nut	1		●				
8	130.558	015 981 1605	Bearing	1		●				
9	109.328	389 262 1134	Synchronizer flange	1	(A)	●				
9	109.348	389 262 8534	Synchronizer flange	1	(B)	●				
10	111.204	387 262 1093	Spap ring	2		●				
11	119.112	389 262 0637	Synchronizer cone	2		●				
12	157.628	389 262 1935	Synchronizer hub	1	(A)	●				
12	157.625	389 262 4535	Synchronizer hub	1	(B)	●				
13	154.221	945 262 0323	Sliding sleeve	1	(A)	●				
13	154.303	389 262 2023	Sliding sleeve	1	(B)	●				
14	109.329	389 262 5334	Synchronizer flange	1	(A)	●				
14	109.333	389 262 8434	Synchronizer flange	1	(B)	●				
15	145.567	389 262 0215	Gear 5th Speed 30 T	1		●				
16	141.165	389 265 2749	Slide	2		●				
17	137.213	011 981 7610	Needle cage	1		●				
18	117.335	389 262 0650	Bush	1		●				
19	169.805	389 262 9052	Thrust washer	1		●				
20	145.569	389 262 0914	Gear 4th Speed 35 T	1		●				
21	137.187	009 981 1510	Needle cage	1		●				
22	109.335	945 262 0334	Synchronizer flange	1	(A)	●				
22	109.349	945 262 5034	Synchronizer flange	1	(B)	●				
23	111.204	387 262 1093	Spap ring	2		●				
24	119.112	389 262 0637	Synchronizer cone	2		●				
25	157.629	389 262 2735	Synchronizer hub	1	(A)	●				
25	157.624	389 262 4435	Synchronizer hub	1	(B)	●				
26	154.221	945 262 0323	Sliding sleeve	1	(A)	●				
26	154.303	389 262 2023	Sliding sleeve	1	(B)	●				
27	145.664	389 262 2713	Gear 3rd Speed 47 T	1	(A)	●				
27	145.666	389 262 3313	Gear 3rd Speed 47 T	1	(B)	●				
28	141.165	389 265 2749	Slide	2		●				
29	137.204	007 981 5510	Needle cage	2		●				
30	103.159	389 262 1705	Main shaft	1	(C)	●				
30	103.160	389 262 2505	Main shaft	1	(D)	●				
31	145.665	389 262 0912	Gear 2nd Speed 45 T	1		●				
32	109.187	945 262 0434	Synchronizer flange	1	(A)	●				
32	109.351	945 262 4934	Synchronizer flange	1	(B)	●				
33	111.205	387 262 0893	Spap ring	2		●				
34	119.161	389 262 0737	Synchronizer cone	2		●				
35	157.627	389 262 1135	Synchronizer hub	1	(A)	●				

Notes

(A) Up to gearbox 439235
(C) Up to gearbox 372851

(B) From gearbox 439236
(D) From gearbox 372852

Date

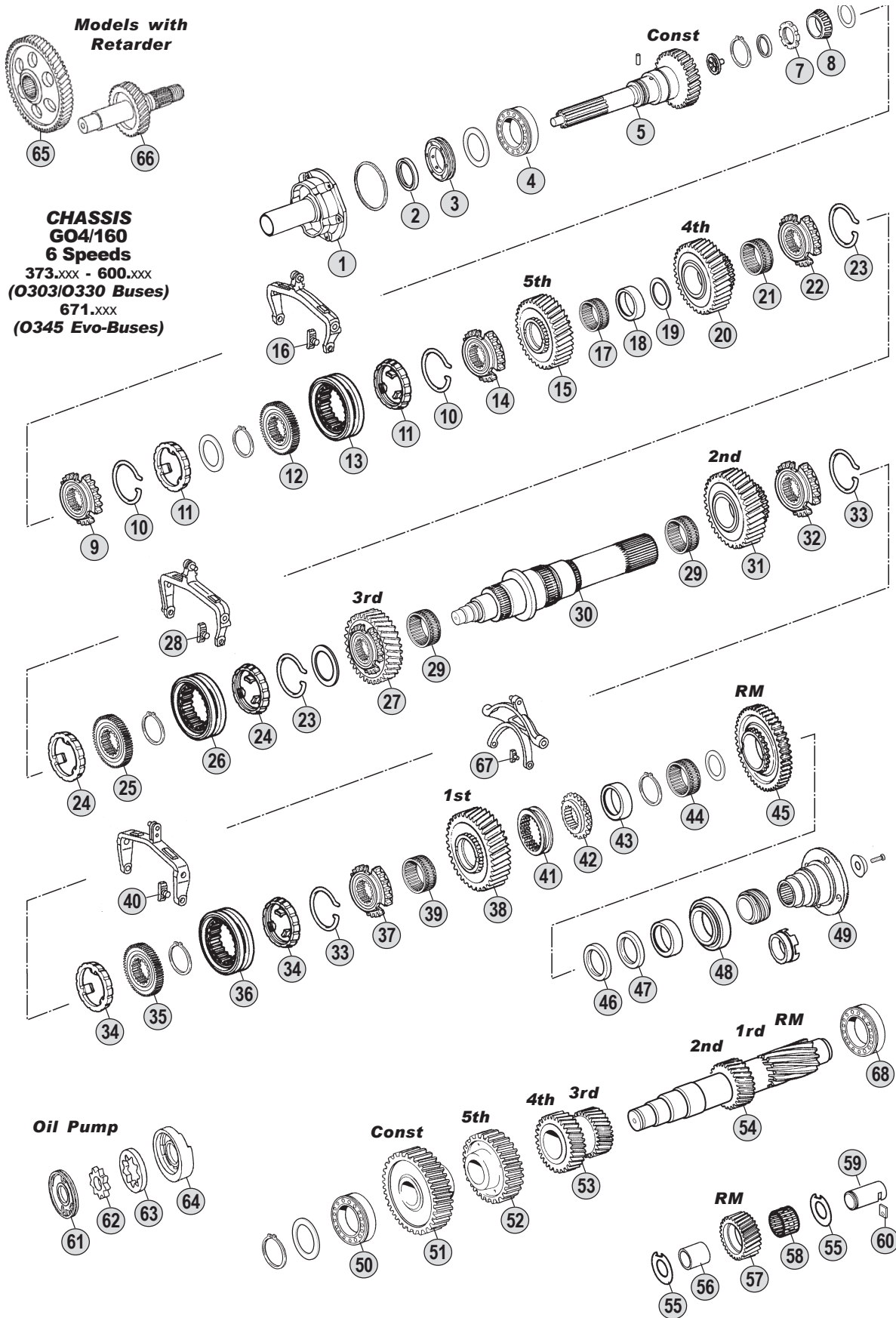
01 / 2004

Table

004

Suitable To: MERCEDES

GO4/160 (6 Speeds)



All original equipment manufacturers' numbers, symbols, pictures, models and description used in this catalogue are for reference only, and it is not implied that any part listed is the product of these manufactures. Tutti i nostri particolari non sono originali ma con essi intercambiabili. I riferimenti originali, le figure, i modelli sono esposti a semplice titolo indicativo. La nostra produzione riporta il nostro marchio.

Models

GO4/160-6/8,2 714.690-691(EPS)-692-693-696(MPS)-697(MPS)-698(MPS)-699



All original equipment manufacturers' numbers, symbols, pictures, models and description used in this catalogue are for reference only, and it is not implied that any part listed is the product of these manufactures.
Tutti i nostri particolari non sono originali ma con essi intercambiabili. I riferimenti originali, le figure, i modelli sono esposti a semplice titolo indicativo. La nostra produzione riporta il nostro marchio.

Fig.	CEI no.	MB no.	Description	Q.ty	Note					
35	157.631	389 262 5635	Synchronizer hub	1	(B)	●				
36	154.220	945 262 0423	Sliding sleeve	1	(A)	●				
36	154.304	389 262 2123	Sliding sleeve	1	(B)	●				
37	109.187	945 262 0434	Synchronizer flange	1	(A)	●				
37	109.350	945 262 4834	Synchronizer flange	1	(B)	●				
38	145.694	389 262 1911	Gear 1st Speed 50 T	1		●				
39	137.198	021 981 9410	Needle cage	1		●				
40	141.165	389 265 2749	Slide	2		●				
41	154.224	389 262 1723	Sliding sleeve	1	To Hub 389 262 4135	●				
41	154.223	389 262 1823	Sliding sleeve	1	To Hub 389 262 4235	●				
42	157.630	389 262 4135	Synchronizer hub	1	To Sleeve 389 262 1723	●				
42	157.626	389 262 4235	Synchronizer hub	1	To Sleeve 389 262 1823	●				
43		389 262 0950	Bush	1	(C)	●				
43	117.336	389 262 1750	Bush	1	(D)	●				
44	137.198	021 981 9410	Needle cage	1		●				
45	147.181	389 262 1333	Reverse gear 47 T	1		●				
46	139.564	017 997 2547	Oil seal	1		●				
47	139.563	017 997 7947	Oil seal	1		●				
48	130.580	009 981 8905	Bearing	1	(C)	●				
48	130.581	012 981 3705	Bearing	1	(D)	●				
49	197.093	976 262 0145	Output flange D.150	1	Up to gearbox 498149	●				
49		976 262 0345	Output flange D.150	1	From gearbox 498150	●				
49		629 262 0245	Output flange D.150	1		●				
49		629 262 0045	Output flange D.150	1		●				
49		387 264 3445	Output flange D.180	1		●				
49		629 262 0145	Output flange D.180	1		●				
49		656 262 0145	Output flange D.180	1		●				
49		387 264 3245	Output flange D.182	1		●				
49		656 262 0045	Output flange D.249	1		●				
49		387 264 2445	Output flange D.162	1	For TELMA Retarder	●				
50	130.554	014 981 1405	Bearing	1		●				
51	146.493	389 263 1310	Constant gear 51 T	1		●				
52	146.495	389 263 0115	Gear 5th Speed 47 T	1		●				
53	143.098	389 263 2513	Double gear 4th-3rd Sp.38/33 T	1		●				
54	105.140	389 263 1102	Countershaft 19/12 T	1		●				
55	169.806	389 263 0162	Washer	2		●				
56		389 263 0650	Bush	1		●				
57	147.183	389 263 0931	Reverse shaft 21 T	1		●				
58	137.225	015 981 4110	Needle cage	1		●				
59		389 263 0730	Reverse shaft	1	Old Style	●				
59	107.180	976 263 0330	Reverse shaft	1	New Style	●				
60		389 263 0241	Key	1	Old Style	●				
60		976 263 0041	Key	1	New Style	●				
61		389 269 1901	Oil pump cover	1		●				
62		389 269 1706	Oil pump gear	1		●				

Notes

(A) Up to gearbox **439235**
(C) Up to gearbox **372851**

(B) From gearbox **439236**
(D) From gearbox **372852**

Date

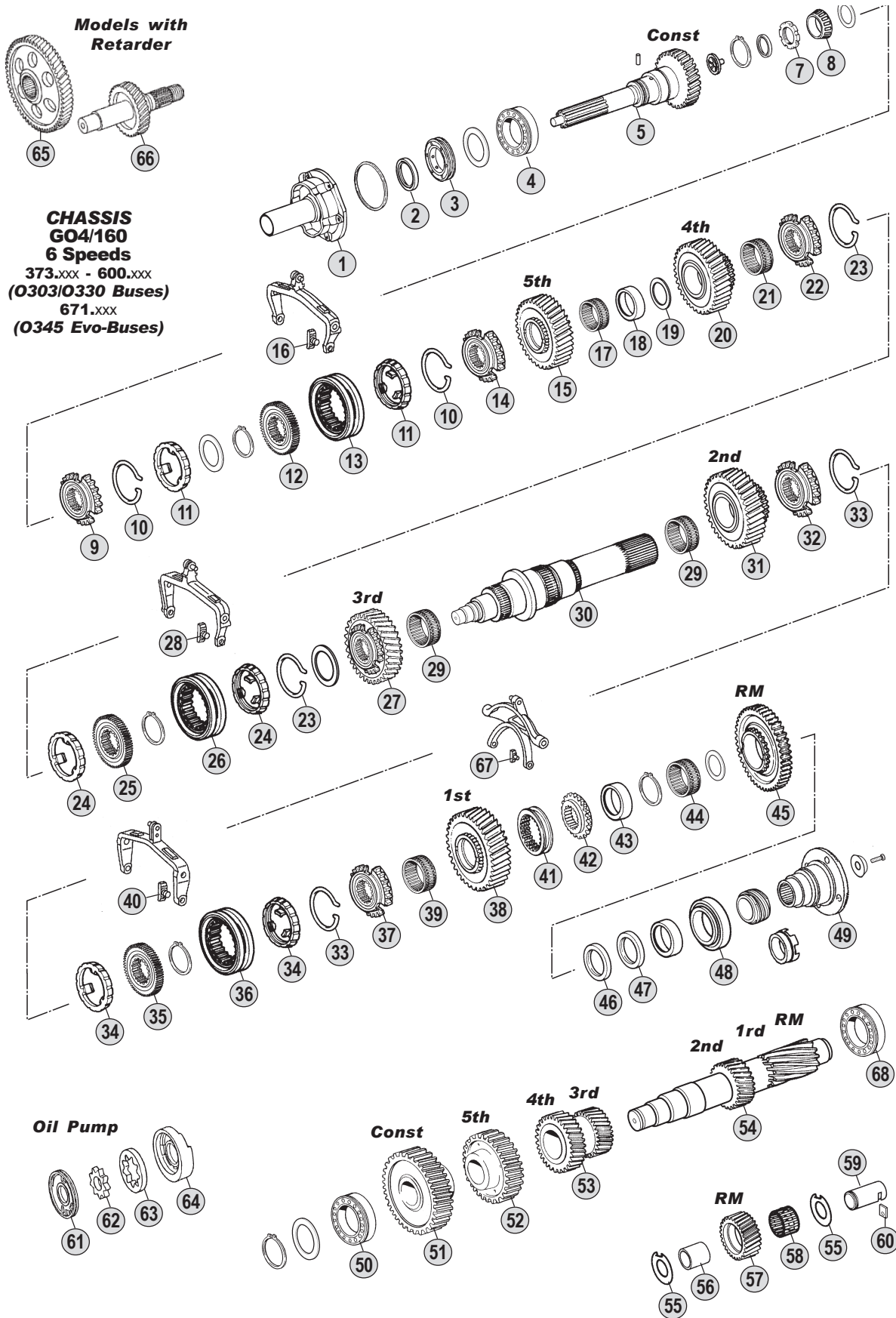
01 / 2004

Table

004

Suitable To: MERCEDES

GO4/160 (6 Speeds)



All original equipment manufacturers' numbers, symbols, pictures, models and description used in this catalogue are for reference only, and it is not implied that any part listed is the product of these manufactures. Tutti i nostri particolari non sono originali ma con essi intercambiabili. I riferimenti originali, le figure, i modelli sono esposti a semplice titolo indicativo. La nostra produzione riporta il nostro marchio.

Models

GO4/160-6/8,2 714.690-691(EPS)-692-693-696(MPS)-697(MPS)-698(MPS)-699

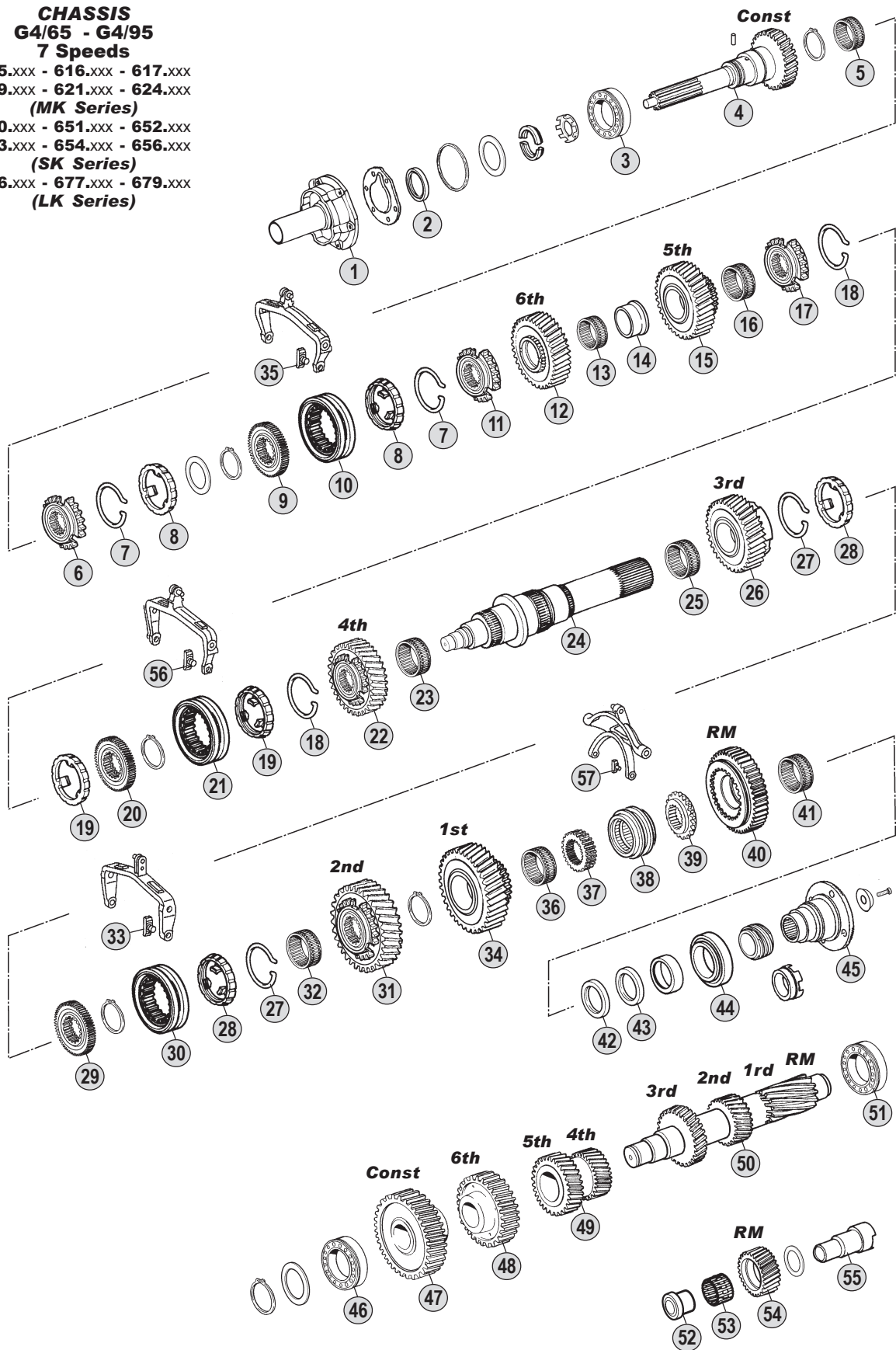


Suitable To: **MERCEDES**

G4/65 - 95 (7 Speeds)

**CHASSIS
G4/65 - G4/95
7 Speeds**

- 615.XXX - 616.XXX - 617.XXX
- 619.XXX - 621.XXX - 624.XXX
(MK Series)
- 650.XXX - 651.XXX - 652.XXX
- 653.XXX - 654.XXX - 656.XXX
(SK Series)
- 676.XXX - 677.XXX - 679.XXX
(LK Series)



All original equipment manufacturers' numbers, symbols, pictures, models and description used in this catalogue are for reference only, and it is not implied that any part listed is the product of these manufactures. Tutti i nostri particolari non sono originali ma con essi intercambiabili. I riferimenti originali, le figure, i modelli sono esposti a semplice titolo indicativo. La nostra produzione riporta il nostro marchio.

Models

G4/65-7/11,0	714.500-501-502-530-531-532-533-534-535-536
G4/95-7/11,0	714.640-641-642-643-644-650-651-652-653-654-655



All original equipment manufacturers' numbers, symbols, pictures and description used in this catalogue are for reference only, and it is not implied that any part listed is the product of these manufactures.
Tutti i nostri particolari non sono originali ma con essi intercambiabili. I riferimenti originali, i riferimenti originali, le figure, i modelli sono esposti a semplice titolo indicativo. La nostra produzione riporta il nostro marchio.

Fig.	CEI no.	MB no.	Description	Q.ty	Note						
1	135.141	387 261 2418	Front cover	1	(A) Excl. 714.531-534-535-536	●					
1	135.145	387 261 2018	Front cover	1	(B) Excl. 714.531-534-535-536	●					
1		387 261 2618	Front cover	1	Only 714.531	●					
1	135.137	387 261 2218	Front cover	1	714.640-650-651-652-653-654	●					
1	135.139	389 261 0018	Front cover	1	714.641-643-655	●					
1	135.138	387 261 2918	Front cover	1	714.642-644	●					
2		007 997 9647	Seal ring	1	Old Type	●					
2	139.548	015 997 0347	Seal ring	1	New Type	●					
2	139.548	015 997 0347	Seal ring	1	714.640-650-651-652-653-654	●					
2	139.549	015 997 1647	Seal ring	1	714.641.642-643-644-655	●					
3	130.576	008 981 9501	Bearing	1	(A)	●					
3	130.577	007 981 2001	Bearing	1	(B)	●					
3	130.574	008 981 5201	Bearing	1		●					
4	102.306	387 262 6102	Input shaft	1	Excluded 714.502-531	●					
4	102.304	387 262 7702	Input shaft	1	Only 714.502	●					
4	102.310	387 262 5202	Input shaft	1	Only 714.531	●					
4	102.309	387 262 4602	Input shaft	1	714.640-650-651-652-653-654	●					
4	102.307	387 262 6802	Input shaft	1	714.641-655	●					
4	102.305	652 262 0002	Input shaft	1	714.643	●					
4	102.308	387 262 7502	Input shaft	1	714.642.644	●					
5	130.579	002 981 1412	Bearing	1		●	●				
6	109.352	387 262 5234	Synchronizer flange	1		●	●				
7	111.204	387 262 1093	Spap ring	2		●	●				
8	119.112	389 262 0637	Synchronizer cone	2		●	●				
9	157.614	387 262 0935	Synchronizer hub	1		●	●				
10	154.215	387 262 1523	Sliding sleeve	1		●	●				
11	109.346	387 262 4934	Synchronizer flange	1		●	●				
12	145.667	387 262 0416	Gear 6th Speed	1		●					
12	145.671	387 262 0316	Gear 6th Speed	1		●					
13	137.220	009 981 3610	Needle cage	1		●					
13	137.215	010 981 9510	Needle cage	1		●					
14	117.339	387 262 0750	Bush	1		●					
14	117.337	387 262 1350	Bush	1		●					
15	145.679	387 262 1815	Gear 5th Speed	1		●					
15	145.669	387 262 2615	Gear 5th Speed	1		●					
16	137.226	009 981 3510	Needle cage	1		●					
16	137.217	000 981 6712	Needle cage	1		●					
17	109.130	387 262 4534	Synchronizer flange	1	(CE)	●	●				
17	109.343	387 262 4834	Synchronizer flange	1	(DF)	●	●				
18	111.204	387 262 1093	Spap ring	2		●	●				
19	119.112	389 262 0637	Synchronizer cone	2		●	●				
20	157.639	387 262 1835	Hub	1		●					
20	157.617	387 262 2035	Synchronizer hub	1		●					
21	154.215	387 262 1523	Sliding sleeve	1	(CE)	●	●				
21	154.302	387 262 1423	Sliding sleeve	1	(DF)	●	●				

Notes

- (A) G4/65 Up to gearbox 157730
 (B) G4/65 From gearbox 157731
 (C) G4/65 Up to gearbox 345691
 (D) G4/65 From gearbox 345692
 (E) G4/95 Up to gearbox 348399
 (F) G4/95 From gearbox 348400
 (G) G4/95 Up to gearbox 088676
 (H) G4/95 From gearbox 088677
 (I) Use with Note E or Note F for synchro parts and Note G or Note H for other parts

Date

01 / 2004

Table

005

Suitable To: **MERCEDES**

Gearbox Models
G4/65 - 95 (7 Speeds)

CHASSIS
G4/65 - G4/95
7 Speeds

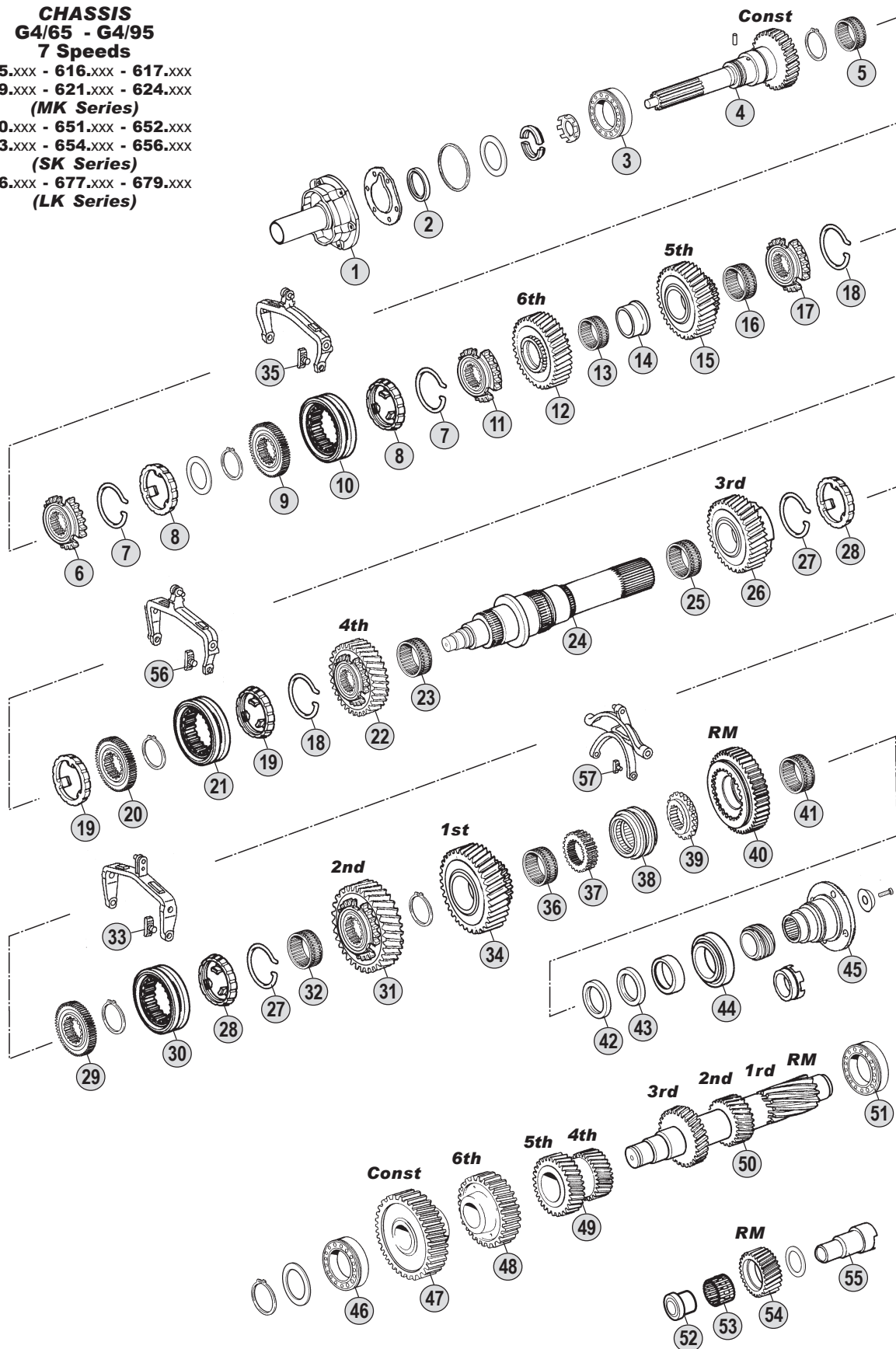
615.XXX - 616.XXX - 617.XXX
619.XXX - 621.XXX - 624.XXX

(MK Series)

650.XXX - 651.XXX - 652.XXX
653.XXX - 654.XXX - 656.XXX

(SK Series)

676.XXX - 677.XXX - 679.XXX
(LK Series)



All original equipment manufacturers' numbers, symbols, pictures, models and description used in this catalogue are for reference only, and it is not implied that any part listed is the product of these manufacturers. Tutti i nostri particolari non sono originali ma con essi intercambiabili. I riferimenti originali, le figure, i modelli sono esposti a semplice titolo indicativo. La nostra produzione riporta il nostro marchio.

Models

G4/65-7/11,0 714.500-501-502-530-531-532-533-534-535-536

G4/95-7/11,0 714.640-641-642-643-644-650-651-652-653-654-655

G4/65-7/11,0
G4/95-7/11,07 Speeds
G4/65 - 95

All original equipment manufacturers' numbers, symbols, pictures, models and description used in this catalogue are for reference only, and it is not implied that any part listed is the product of these manufactures.
Tutti i nostri particolari non sono originali ma con essi intercambiabili. I riferimenti originali, le figure, i modelli sono esposti a semplice titolo indicativo. La nostra produzione riporta il nostro marchio.

Fig.	CEI no.	MB no.	Description	Q.ty	Note					
22	145.680	387 262 2514	Gear 4th Speed	1	(C)	●				
22	145.681	387 262 4214	Gear 4th Speed	1	(D)	●				
22	145.670	387 262 2814	Gear 4th Speed	1	(E)		●			
22	145.672	387 262 4414	Gear 4th Speed	1	(F)		●			
23	137.186	008 981 9410	Needle cage	1		●				
23	137.216	010 981 9310	Needle cage	1			●			
24	103.161	387 262 1805	Main shaft	1		●				
24	103.157	387 262 1905	Main shaft	1			●			
25	137.186	008 981 9410	Needle cage	1		●				
25	137.201	009 981 1810	Needle cage	1			●			
26	145.684	387 262 3613	Gear 3rd Speed	1	(C)	●				
26	145.685	387 262 5113	Gear 3rd Speed	1	(D)	●				
26	145.674	387 262 3113	Gear 3rd Speed	1	(E)		●			
26	145.673	387 262 5013	Gear 3rd Speed	1	(F)		●			
27	111.205	387 262 0893	Spap ring	2		●	●			
28	119.161	389 262 0737	Synchronizer cone	2		●	●			
29	157.213	389 262 0035	Hub 1st-2nd Speed	1	(C)	●				
29	157.640	389 262 3435	Synchronizer hub	1	(D)	●				
29	157.623	387 262 0435	Hub	1	(E)		●			
29	157.622	387 262 3435	Synchronizer hub	1	(F)		●			
30	154.216	387 262 0623	Sliding sleeve	1	(CE)	●	●			
30	154.301	387 262 1323	Sliding sleeve	1	(DF)	●	●			
31	145.682	387 262 2412	Gear 2nd Speed	1	(C)	●				
31	145.683	387 262 3712	Gear 2nd Speed	1	(D)	●				
31	145.668	387 262 1912	Gear 2nd Speed	1	(E)(G) See Note (1)		●			
31	145.676	387 262 2912	Gear 2nd Speed	1	(E)(H) See Note (1)		●			
31	145.675	387 262 4012	Gear 2nd Speed	1	(F)(H) See Note (1)		●			
32	137.211	010 981 1210	Needle cage	1		●				
32	137.198	021 981 9410	Needle cage	1			●			
33	141.161	389 265 2349	Slide	2		●	●			
34	145.686	387 262 1511	Gear 1st Speed	1		●				
34	145.677	387 262 1811	Gear 1st Speed	1	(G)		●			
34	145.678	387 262 2211	Gear 1st Speed	1	(H)		●			
35	141.161	389 265 2349	Slide	2		●	●			
36	137.214	009 981 3110	Needle cage	1		●				
36	137.219	010 981 9210	Needle cage	1			●			
37	157.634	387 262 0236	Synchronizer hub	1		●				
37	157.632	387 262 0136	Synchronizer hub	1	(G)		●			
37	157.633	387 262 2935	Synchronizer hub	1	(H)		●			
38	154.305	387 262 0323	Sleeve	1		●	●			
39	157.635	387 262 0140	Hub	1		●				
39	157.637	387 262 0040	Hub	1	(G)		●			
39	157.637	387 262 0240	Hub	1	(H) To Rev.Gear 387 262 1433		●			
39	157.638	387 262 0440	Hub	1	(H) To Rev.Gear 387 262 1733		●			
40	147.189	387 262 0433	Reverse gear	1		●				

Notes

- (A) G4/65 Up to gearbox 157730
 (B) G4/65 From gearbox 157731
 (C) G4/65 Up to gearbox 345691
 (D) G4/65 From gearbox 345692
 (E) G4/95 Up to gearbox 348399
 (F) G4/95 From gearbox 348400
 (G) G4/95 Up to gearbox 088676
 (H) G4/95 From gearbox 088677
 (I) Use with Note E or Note F for synchro parts and Note G or Note H for other parts

Date

01 / 2004

Table

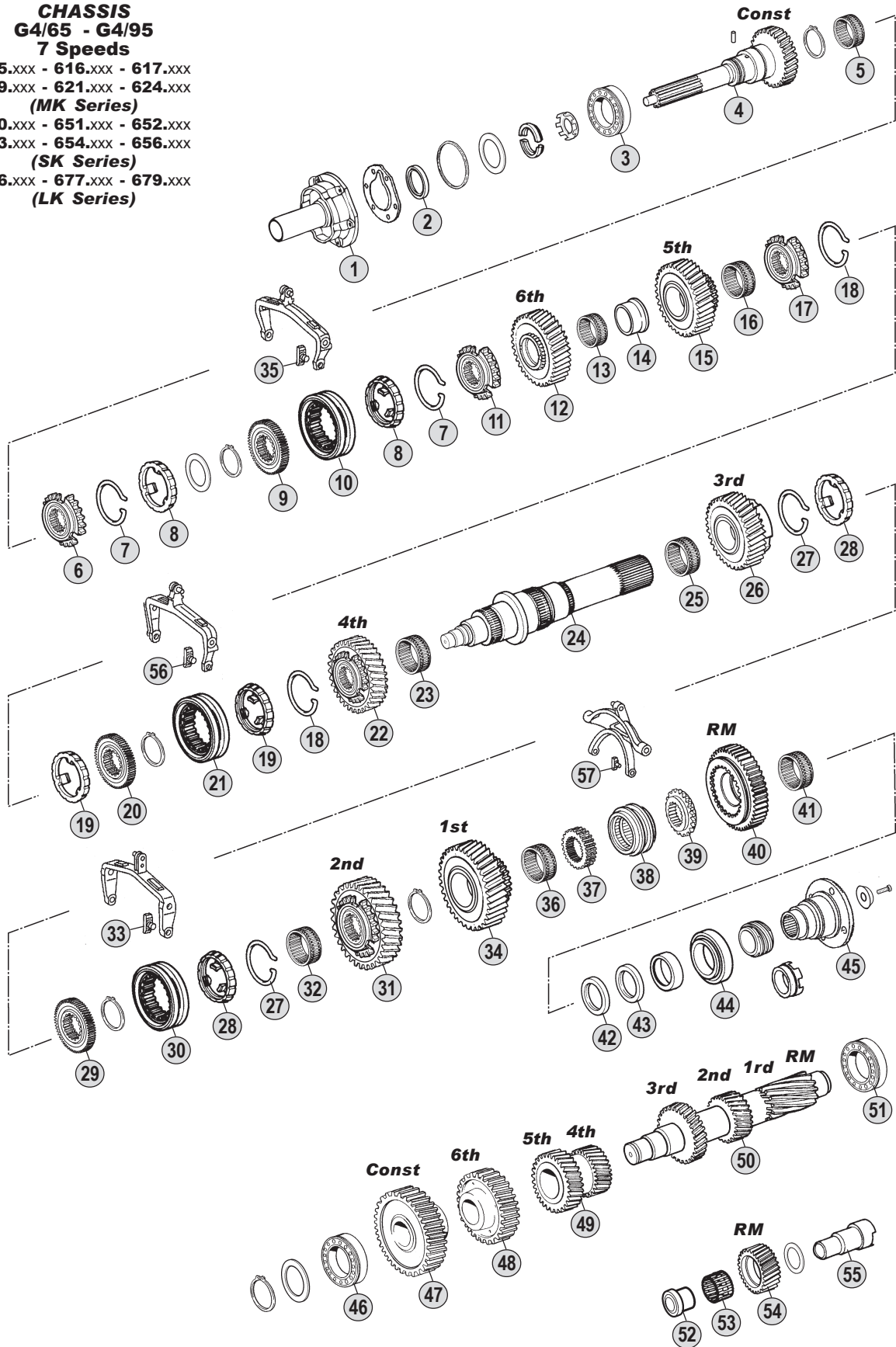
005

Suitable To: **MERCEDES**

G4/65 - 95 (7 Speeds)

**CHASSIS
G4/65 - G4/95
7 Speeds**

- 615.XXX - 616.XXX - 617.XXX
- 619.XXX - 621.XXX - 624.XXX
(MK Series)
- 650.XXX - 651.XXX - 652.XXX
- 653.XXX - 654.XXX - 656.XXX
(SK Series)
- 676.XXX - 677.XXX - 679.XXX
(LK Series)



Models

G4/65-7/11,0	714.500-501-502-530-531-532-533-534-535-536
G4/95-7/11,0	714.640-641-642-643-644-650-651-652-653-654-655

All original equipment manufacturers' numbers, symbols, pictures, models and description used in this catalogue are for reference only, and it is not implied that any part listed is the product of these manufactures. Tutti i nostri particolari non sono originali ma con essi intercambiabili. I riferimenti originali, le figure, i modelli sono esposti a semplice titolo indicativo. La nostra produzione riporta il nostro marchio.

G4/65-7/11,0
G4/95-7/11,0

7 Speeds
G4/65 - 95

All original equipment manufacturers' numbers, symbols, pictures and description used in this catalogue are for reference only, and it is not implied that any part listed is the product of these manufactures.
Tutti i nostri particolari non sono originali ma con essi intercambiabili. I riferimenti originali, le figure, i modelli sono esposti a semplice titolo indicativo. La nostra produzione riporta il nostro marchio.

Fig.	CEI no.	MB no.	Description	Q.ty	Note					
40	147.186	387 262 0733	Reverse gear	1	(G)		●			
40	147.185	387 262 1433	Reverse gear	1	(H) To Hub 387 262 0240		●			
40	147.184	387 262 1733	Reverse gear	1	(H) To Hub 387 262 0440		●			
41	137.210	009 981 0110	Needle cage	1		●				
41	137.211	010 981 1210	Needle cage	1			●			
42	139.564	017 997 2547	Oil seal	1		●	●			
43	139.563	017 997 7947	Oil seal	1		●	●			
44	130.582	008 981 8901	Bearing	1		●				
44	130.572	008 981 5301	Bearing	1			●			
45	197.089	387 262 0345	Output flange	1	714.500-501-530-531-532	●				
45	197.091	387 262 0845	Output flange D.150	1	714.502-533-534-535-536	●				
45	197.090	387 262 1045	Output flange D.150	1	714.641/2/3/4-714.652/3/4/5		●			
45	197.088	387 262 0145	Output flange D.150	1	714.650-651		●			
45	197.092	387 262 0745	Output flange D.165	1	714.640		●			
46	130.573	001 981 3105	Bearing	1		●				
46	130.571	009 981 3105	Bearing	1			●			
47	146.519	387 263 1210	Constant gear	1		●				
47	146.517	387 263 2710	Constant gear	1			●			
48	146.516	387 263 0416	Gear 6th Speed	1		●				
48	146.518	387 263 0316	Gear 6th Speed	1			●			
49	143.113	387 263 0514	Double gear 5th-4th Speed	1		●				
49	143.112	387 263 0914	Double gear 5th-4th Speed	1			●			
50	105.143	387 263 2602	Countershaft	1		●				
50	105.141	387 263 2702	Countershaft	1	(G)		●			
50	105.142	387 263 3002	Countershaft	1	(H)		●			
51	130.542	010 981 5905	Bearing	1		●	●			
52	117.340	387 263 0750	Bush	1		●				
52		387 263 0650	Bush	1	(G)		●			
52	117.338	387 263 1150	Bush	1	(H)		●			
53	137.202	010 981 5110	Needle cage	1		●	●			
54	147.182	387 263 1031	Reverse gear	1		●				
54	147.187	387 263 1431	Reverse gear	1	(G)		●			
54	147.188	387 263 1831	Reverse gear	1	(H)		●			
55	107.181	387 263 0730	Reverse shaft	1		●				
55		387 263 0530	Reverse shaft	1	(G)		●			
55	107.177	387 263 1430	Reverse shaft	1	(H)		●			
56	141.161	389 265 2349	Slide	2		●	●			
57	141.160	945 265 0149	Slide	2		●	●			

Notes

- (A) G4/65 Up to gearbox 157730
 (B) G4/65 From gearbox 157731
 (C) G4/65 Up to gearbox 345691
 (D) G4/65 From gearbox 345692
 (E) G4/95 Up to gearbox 348399
 (F) G4/95 From gearbox 348400
 (G) G4/95 Up to gearbox 088676
 (H) G4/95 From gearbox 088677
 (I) Use with Note E or Note F for synchro parts and Note G or Note H for other parts

Date

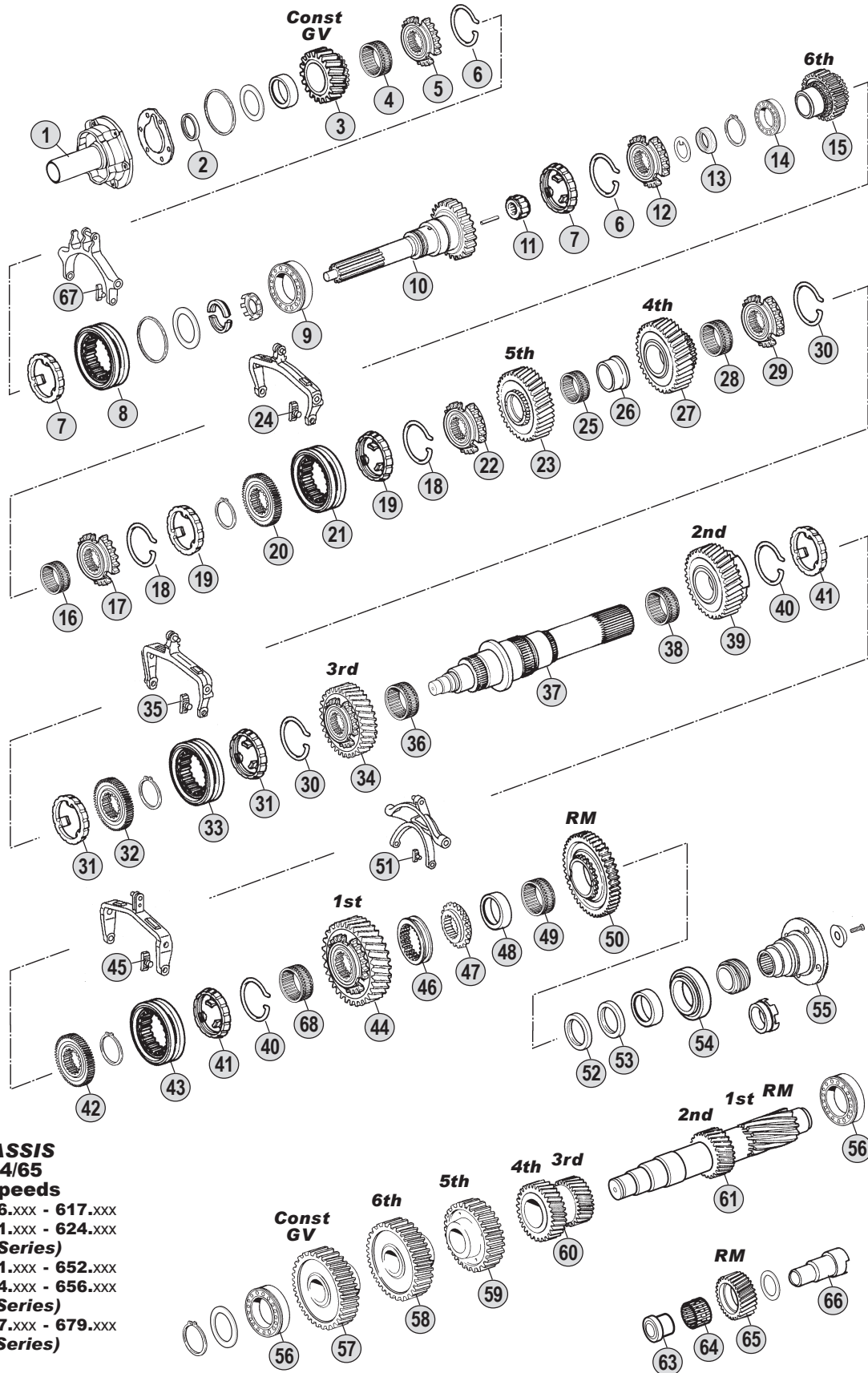
01 / 2004

Table

005

Suitable To: **MERCEDES**

GV4/65 (12 Speeds)



**CHASSIS
GV4/65
12 Speeds**

- 615.XXX - 616.XXX - 617.XXX
- 619.XXX - 621.XXX - 624.XXX
- (MK Series)**
- 650.XXX - 651.XXX - 652.XXX
- 653.XXX - 654.XXX - 656.XXX
- (SK Series)**
- 676.XXX - 677.XXX - 679.XXX
- (LK Series)**

Models

GV4/65-6/12,0 714.680-681-682-683-688-689

All original equipment manufacturers' numbers, symbols, pictures, models and description used in this catalogue are for reference only, and it is not implied that any part listed is the product of these manufactures. Tutti i nostri particolari non sono originali ma con essi intercambiabili. I riferimenti originali, le figure, i modelli sono esposti a semplice titolo indicativo. La nostra produzione riporta il nostro marchio.

GV4/65-6/9,0

12 Speeds
GV4/65

All original equipment manufacturers numbers, symbols, pictures, models and description used in this catalogue are for reference only, and it is not implied that any part listed is the product of these manufactures.
Tutti i nostri particolari non sono originali ma con essi intercambiabili. I riferimenti originali, le figure, i modelli sono esposti a semplice titolo indicativo. La nostra produzione riporta il nostro marchio.

Fig.	CEI no.	MB no.	Description	Q.ty	Note					
1	135.141	387 261 2418	Front cover	1	Up to Gearbox 157730	●				
1	135.145	387 261 2018	Housin cover	1	From Gearbox 157731	●				
2	139.548	015 997 0347	Seal ring	1		●				
3	145.690	387 262 0110	Constant gear GV 23 T	1		●				
4	137.224	010 981 1510	Needle cage	1		●				
5	109.331	387 262 2934	Synchronizer cone	1		●				
6	111.204	387 262 1093	Spap ring	2		●				
7	119.112	389 262 0637	Synchronizer cone	2		●				
8	154.215	387 262 1523	Sliding sleeve	1		●				
9	130.576	008 981 9501	Bearing	1	Up to Gearbox 157730	●				
9	130.577	007 981 2001	Bearing	1	From Gearbox 157731	●				
10	190.248	387 260 6420	Input shaft	1		●				
11	130.584	001 981 9412	Bearing	1		●				
12	109.128	387 262 3034	Synchronizer flange	1		●				
13	187.612	387 990 0251	Nut	1		●				
14	130.583	003 981 9125	Bearing	1		●				
15	145.565	387 262 0710	Gear 6th Speed 20 T	1		●				
16	137.223	010 981 4910	Needle cage	1		●				
17	109.353	387 262 5334	Synchronizer flange	1		●				
18	111.204	387 262 1093	Spap ring	2		●				
19	119.112	389 262 0637	Synchronizer cone	2		●				
20	157.611	387 262 2135	Synchronizer hub	1		●				
21	154.215	387 262 1523	Sliding sleeve	1		●				
22	109.330	387 262 2534	Synchronizer cone	1		●				
23	145.689	387 262 0515	Gear 5th Speed 22 T	1		●				
24	141.161	389 265 2349	Slide	2		●				
25	137.211	010 981 1210	Needle cage	1		●				
26	117.342	387 262 0950	Bush	1		●				
27	145.691	387 262 4114	Gear 4th Speed 24 T	1		●				
28	137.222	010 981 4410	Needle cage	1		●				
29	109.131	389 262 5634	Synchronizer flange	1	(A)	●				
29	109.347	389 262 5934	Synchronizer flange	1	(B)	●				
30	111.204	387 262 1093	Spap ring	2		●				
31	119.112	389 262 0637	Synchronizer cone	2		●				
32	157.641	387 262 2335	Synchronizer hub	1		●				
33	154.215	387 262 1523	Sliding sleeve	1	(A)	●				
33	154.302	387 262 1423	Sliding sleeve	1	(B)	●				
34	145.687	387 262 2713	Gear 3rd Speed 30 T	1	(A)	●				
34	145.688	387 262 4613	Gear 3rd Speed 30 T	1	(B)	●				
35	141.161	389 265 2349	Slide	2		●				
36	137.221	010 981 4810	Needle cage	1		●				
37	103.144	387 262 0905	Main shaft	1		●				
38	137.211	010 981 1210	Needle cage	1		●				
39	145.429	387 262 0412	Gear 2nd Speed 38 T	1	(A)	●				
39	145.640	387 262 3312	Gear 2nd Speed 38 T	1	(B)	●				

Notes

(A) GV4/65 Up to gearbox 345971

(B) G4/65 From gearbox 345972

Date

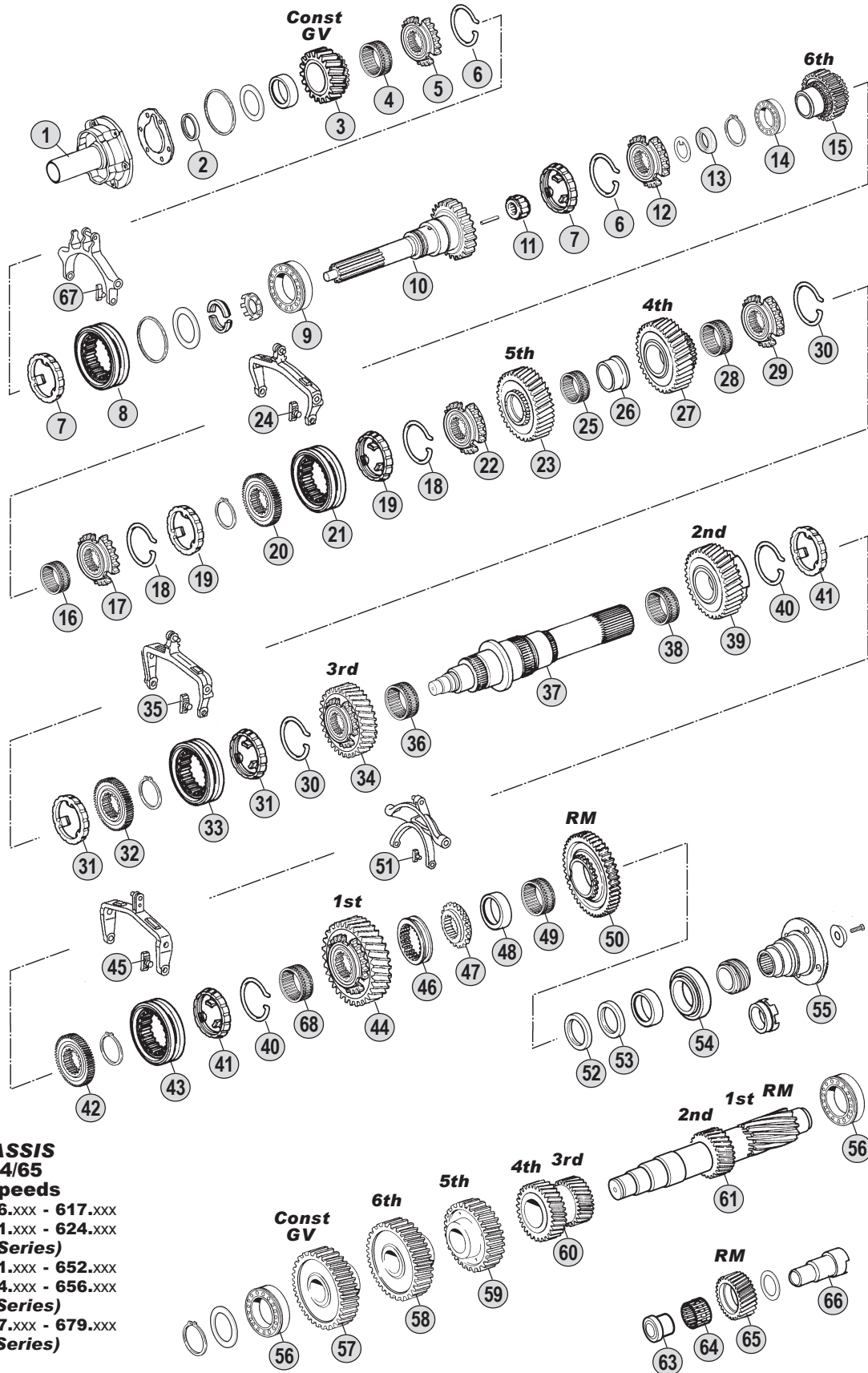
01 / 2004

Table

006

Suitable To: MERCEDES

GV4/65 (12 Speeds)



CHASSIS GV4/65 12 Speeds

- 615.XXX - 616.XXX - 617.XXX
- 619.XXX - 621.XXX - 624.XXX
(MK Series)
- 650.XXX - 651.XXX - 652.XXX
- 653.XXX - 654.XXX - 656.XXX
(SK Series)
- 676.XXX - 677.XXX - 679.XXX
(LK Series)

Models

GV4/65-6/12,0 714.680-681-682-683-688-689

All original equipment manufacturers' numbers, symbols, pictures, models and description used in this catalogue are for reference only, and it is not implied that any part listed is the product of these manufactures. Tutti i nostri particolari non sono originali ma con essi intercambiabili. I riferimenti originali, le figure, i modelli sono esposti a semplice titolo indicativo. La nostra produzione riporta il nostro marchio.

Fig.	CEI no.	MB no.	Description	Q.ty	Note					
40	111.205	387 262 0893	Spap ring	2		●				
41	119.161	389 262 0737	Synchronizer cone	2		●				
42	157.619	387 262 0735	Synchronizer hub	1	(A)	●				
42	157.618	387 262 3535	Synchronizer hub	1	(B)	●				
43	154.216	387 262 0623	Sliding sleeve	1	(A)	●				
43	154.301	387 262 1323	Sliding sleeve	1	(B)	●				
44	145.428	387 262 0411	Gear 1st speed 50 T	1	(A)	●				
44	145.639	387 262 3011	Gear 1st Speed 50 T	1	(B)	●				
45	141.161	389 265 2349	Slide	2		●				
46	154.229	387 262 0023	Sleeve	1		●				
47	157.621	387 262 0335	Synchronizer hub	1		●				
48	117.333	387 262 0850	Bush	1		●				
49	137.209	010 981 1710	Needle cage	1		●				
50	147.175	387 262 0533	Reverse gear	1		●				
51	141.160	945 265 0149	Slide	2		●				
52	139.564	017 997 2547	Oil seal	1		●				
53	139.563	017 997 7947	Oil seal	1		●				
54	130.578	004 981 5525	Bearing	1		●				
55	197.089	387 262 0345	Output flange	1	714.680-681-683-689	●				
55	197.091	387 262 0845	Output flange D.150	1	714.682-688	●				
56	130.542	010 981 5905	Bearing	2		●				
57	146.339	387 263 1410	Constant gear GV 41 T	1		●				
58	146.513	387 263 0110	Gear 6th Speed	1		●				
59	146.338	387 263 0115	Gear 5th Speed 34 T	1		●				
60	143.088	387 263 0713	Double gear 4th-3rd Sp. 25/21 T	1		●				
61	105.087	387 263 1102	Countershaft 16/12 T	1		●				
63	117.332	387 263 0850	Bush	1		●				
64	137.202	010 981 5110	Needle cage	1		●				
65	147.118	387 263 1131	Reverse gear 21 T	1		●				
66	107.179	387 263 0630	Reverse shaft	1		●				
67	141.162	389 265 2449	Slide	2		●				
68	137.210	009 981 0110	Needle cage	1		●				

12 Speeds
GV4/65

Notes

(A) GV4/65 Up to gearbox 345971

(B) G4/65 From gearbox 345972

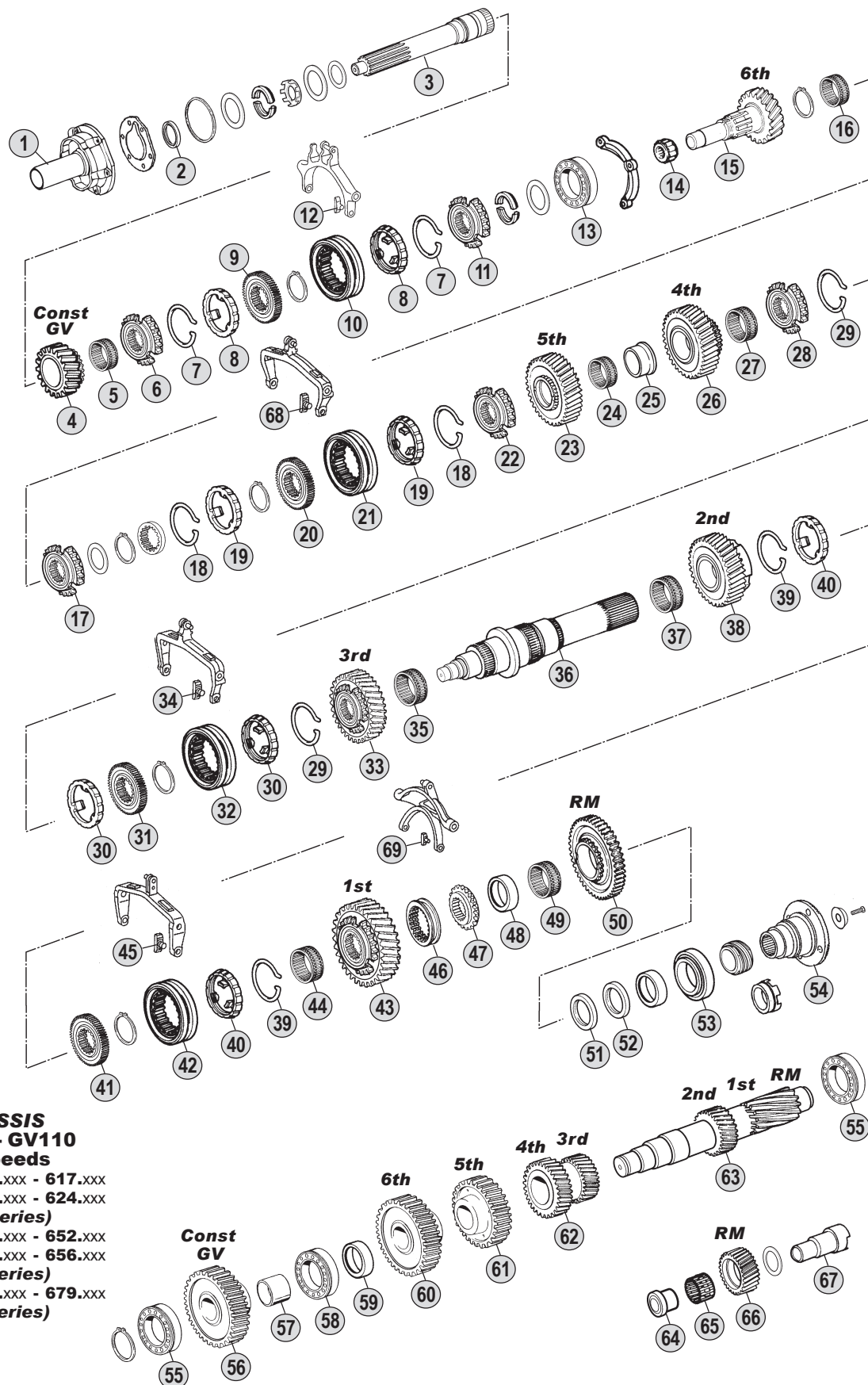
Date

01 / 2004

Table

006

All original equipment manufacturers' numbers, symbols, pictures, models and description used in this catalogue are for reference only, and it is not implied that any part listed is the product of these manufactures.
Tutti i nostri particolari non sono originali ma con essi intercambiabili. I riferimenti originali, le figure, i modelli sono esposti a semplice titolo indicativo. La nostra produzione riporta il nostro marchio.

Suitable To: **MERCEDES****GV4/95 - 110 (12 Speeds)**

**CHASSIS
GV4/95 - GV110
12 Speeds**

615.xxx - 616.xxx - 617.xxx
619.xxx - 621.xxx - 624.xxx
(MK Series)
650.xxx - 651.xxx - 652.xxx
653.xxx - 654.xxx - 656.xxx
(SK Series)
676.xxx - 677.xxx - 679.xxx
(LK Series)

Models

GV4/95-6/9,0 714.607-608-609 715.108-109

GV4/110-6/9,0 714.625-627-628-629-634-635-639-661-662-663-665-666-672-673 715.120

Fig.	CEI no.	MB no.	Description	Q.ty	Note						
1	135.137	387 261 2218	Front cover	1	714.608-609	●					
1	135.139	389 261 0018	Front cover	1	715.109	●					
1	135.138	387 261 2918	Front cover	1	714.607 - 715.108	●					
1	135.137	387 261 2218	Front cover	1	714.628/9-634/5/9-661/2/3/5/6	●					
1	135.139	389 261 0018	Front cover	1	714.627-672-673 - 715.120	●					
1	135.138	387 261 2918	Front cover	1	714.625	●					
2	139.548	015 997 0347	Seal ring	1	To 387 261 2218	●	●				
2	139.549	015 997 1647	Seal ring	1	To 398 261 0018 / 387 261 2918	●	●				
3	102.312	387 262 1301	Input shaft	1	714.608-609	●					
3	102.314	387 262 1501	Input shaft	1	715.109	●					
3	102.313	387 262 1801	Input shaft	1	714.607 - 715.108	●					
3	102.312	387 262 1301	Input shaft	1	714.628/9-634/5/9-661/2/3/5/6	●					
3	102.314	387 262 1501	Input shaft	1	714.627-672-673 - 715.120	●					
3	102.313	387 262 1801	Input shaft	1	714.625	●					
4	145.692	387 262 0010	Constant gear GV 23 T	1		●	●				
5	137.190	009 981 4510	Needle cage	1		●	●				
6	109.332	387 262 3234	Synchronizer cone	1		●	●				
7	111.204	387 262 1093	Spap ring	2		●	●				
8	119.112	389 262 0637	Synchronizer cone	2		●	●				
9	157.642	387 262 2835	Synchronizer hub	1		●	●				
10	154.215	387 262 1523	Sliding sleeve	1		●	●				
11	109.354	387 262 3634	Synchronizer flange	1		●	●				
12	141.162	389 265 2449	Slide	2		●	●				
13	130.574	008 981 5201	Bearing	1		●	●				
14	130.586	001 981 8912	Bearing	1		●	●				
15	102.311	387 262 2202	Input shaft	1		●					
15	102.315	387 262 2402	Input shaft Z 20	1			●				
16	137.206	002 981 1312	Needle cage	1		●	●				
17	109.344	387 262 5034	Synchronizer flange	1		●	●				
18	111.204	387 262 1093	Spap ring	2		●	●				
19	119.112	389 262 0637	Synchronizer cone	2		●	●				
20	157.611	387 262 2135	Synchronizer hub	1		●	●				
21	154.215	387 262 1523	Sliding sleeve	1		●	●				
22	109.131	389 262 5634	Synchronizer flange	1		●	●				
23	145.637	387 262 2015	Gear 5th Speed 22 T	1		●					
23	145.634	387 262 2315	Gear 5th Speed 22 T	1			●				
24	137.184	009 981 1410	Needle cage	1		●					
24	137.182	008 981 8310	Needle cage D.75x83x55	1			●				
25	117.330	387 262 0550	Bush	1		●					
25	117.279	387 262 0150	Bush	1			●				
26	145.628	387 262 3514	Gear 4th Speed 24 T	1		●					
26	145.633	387 262 3814	Gear 4th Speed 24 T	1	Excluded 715.120		●				
26	145.693	387 262 4514	Gear 4th Speed 24 T	1	Only 715.120		●				
27	137.187	009 981 1510	Needle cage	1		●					
27	137.205	008 981 9910	Needle cage	1			●				

Notes

- (A) GV4/95 Up to gearbox 348399 (B) G4/95 From gearbox 348400
 (C) GV4/110 Up to gearbox 355346 (D) GV4/110 From gearbox 355347
 GV4/110 Only 715.120 Up to gearbox 348399 GV4/110 Only 715.120 From gearbox 348400
 (E) GV4/95 Up to gearbox 124518 (F) G4/95 From gearbox 124519

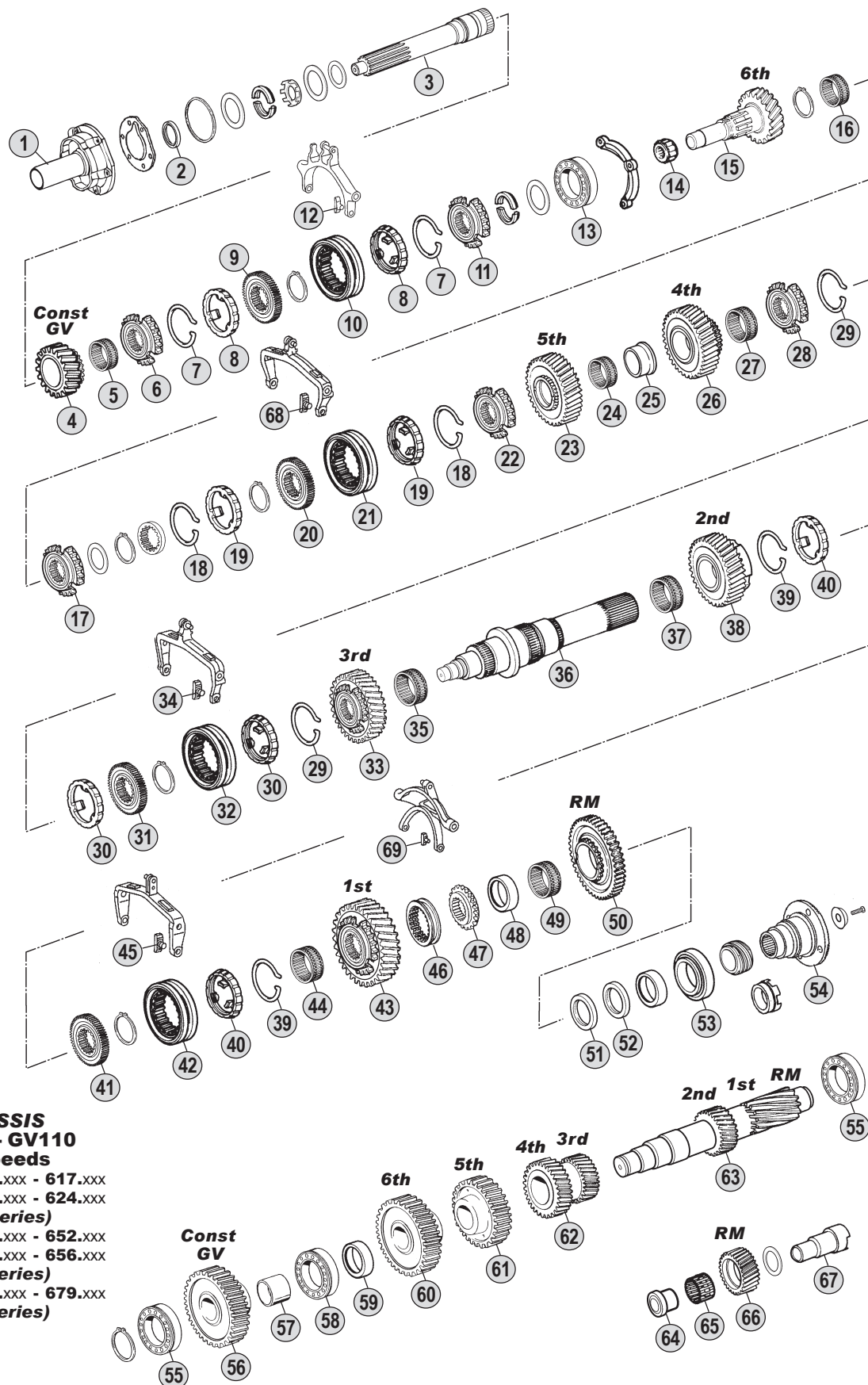
Date

01 / 2004

Table

007

All original equipment manufacturers numbers, symbols, pictures, models and description used in this catalogue are for reference only, and it is not implied that any part listed is the product of these manufactures.
 Tutti i nostri particolari non sono originali ma con essi intercambiabili. I riferimenti originali, le figure, i modelli sono esposti a semplice titolo indicativo. La nostra produzione riporta il nostro marchio.

Suitable To: **MERCEDES****GV4/95 - 110 (12 Speeds)**

**CHASSIS
GV4/95 - GV110
12 Speeds**

615.XXX - 616.XXX - 617.XXX

619.XXX - 621.XXX - 624.XXX

(MK Series)

650.XXX - 651.XXX - 652.XXX

653.XXX - 654.XXX - 656.XXX

(SK Series)

676.XXX - 677.XXX - 679.XXX

(LK Series)**Models****GV4/95-6/9,0** 714.607-608-609 715.108-109**GV4/110-6/9,0** 714.625-627-628-629-634-635-639-661-662-663-665-666-672-673 715.120

Fig.	CEI no.	MB no.	Description	Q.ty	Note					
28	109.130	387 262 4534	Synchronizer flange	1	(AC)	●	●			
28	109.343	387 262 4834	Synchronizer flange	1	(BD)	●	●			
29	111.204	387 262 1093	Spap ring	2		●	●			
30	119.112	389 262 0637	Synchronizer cone	2		●	●			
31	157.617	387 262 2035	Synchronizer hub	1		●	●			
32	154.215	387 262 1523	Sliding sleeve	1	(AC)	●	●			
32	154.302	387 262 1423	Sliding sleeve	1	(BD)	●	●			
33	145.632	387 262 1813	Gear 3rd Speed 30 T	1	(A)	●				
33	145.631	387 262 4413	Gear 3rd Speed 30 T	1	(B)	●				
33	145.630	387 262 0813	Gear 3rd Speed 30 T	1	(C)		●			
33	145.629	387 262 5313	Gear 3rd Speed 30 T	1	(D)		●			
34	141.161	389 265 2349	Slide	2		●	●			
35	137.203	009 981 1710	Needle cage	1		●				
35	137.204	007 981 5510	Needle cage	1			●			
36	103.154	387 262 2105	Main shaft	1	(E)	●				
36	103.155	387 262 2405	Main shaft	1	(F)	●				
36	103.153	387 262 2005	Main shaft	1			●			
37	137.201	009 981 1810	Needle cage	1		●				
37	137.199	008 981 9710	Needle cage	1			●			
38	145.636	387 262 0812	Gear 2nd Speed 38 T	1	(A)	●				
38	145.635	387 262 3412	Gear 2nd Speed 38 T	1	(B)	●				
38	145.627	387 262 0212	Gear 2nd Speed 38 T	1	(C)		●			
38	145.626	387 262 3212	Gear 2nd Speed 38 T	1	(D)		●			
39	111.205	387 262 0893	Spap ring	2		●	●			
40	119.161	389 262 0737	Synchronizer cone	2		●	●			
41	157.623	387 262 0435	Synchronizer hub	1	(AC)	●	●			
41	157.622	387 262 3435	Synchronizer hub	1	(BD)	●	●			
42	154.216	387 262 0623	Sliding sleeve	1	(AC)	●	●			
42	154.301	387 262 1323	Sliding sleeve	1	(BD)	●	●			
43	145.647	387 262 0911	Gear 1st Speed 50 T	1	(A)	●				
43	145.648	387 262 2611	Gear 1st Speed 50 T	1	(B)	●				
43	145.638	387 262 0211	Gear 1st Speed 50 T	1	(C)		●			
43	145.657	387 262 2511	Gear 1st Speed 50 T	1	(D)		●			
44	137.186	008 981 9410	Needle cage	1		●				
44	137.198	021 981 9410	Needle cage	1			●			
45	141.161	389 265 2349	Slide	2		●	●			
46	154.229	387 262 0023	Sleeve	1		●	●			
47	157.613	387 262 0036	Hub	1	(E)	●				
47	157.612	387 262 0436	Hub	1	(F)	●				
47	157.613	387 262 0036	Hub	1			●			
48		387 262 1550	Bush	1	(E)	●				
48	117.329	387 262 1450	Bush	1			●			
49	137.186	008 981 9410	Needle cage	1	(E)	●				
49	137.200	013 981 1210	Needle cage	1	(F)	●				
49	137.198	021 981 9410	Needle cage	1			●			

12 Speeds
GV4/95
GV4/110

Notes

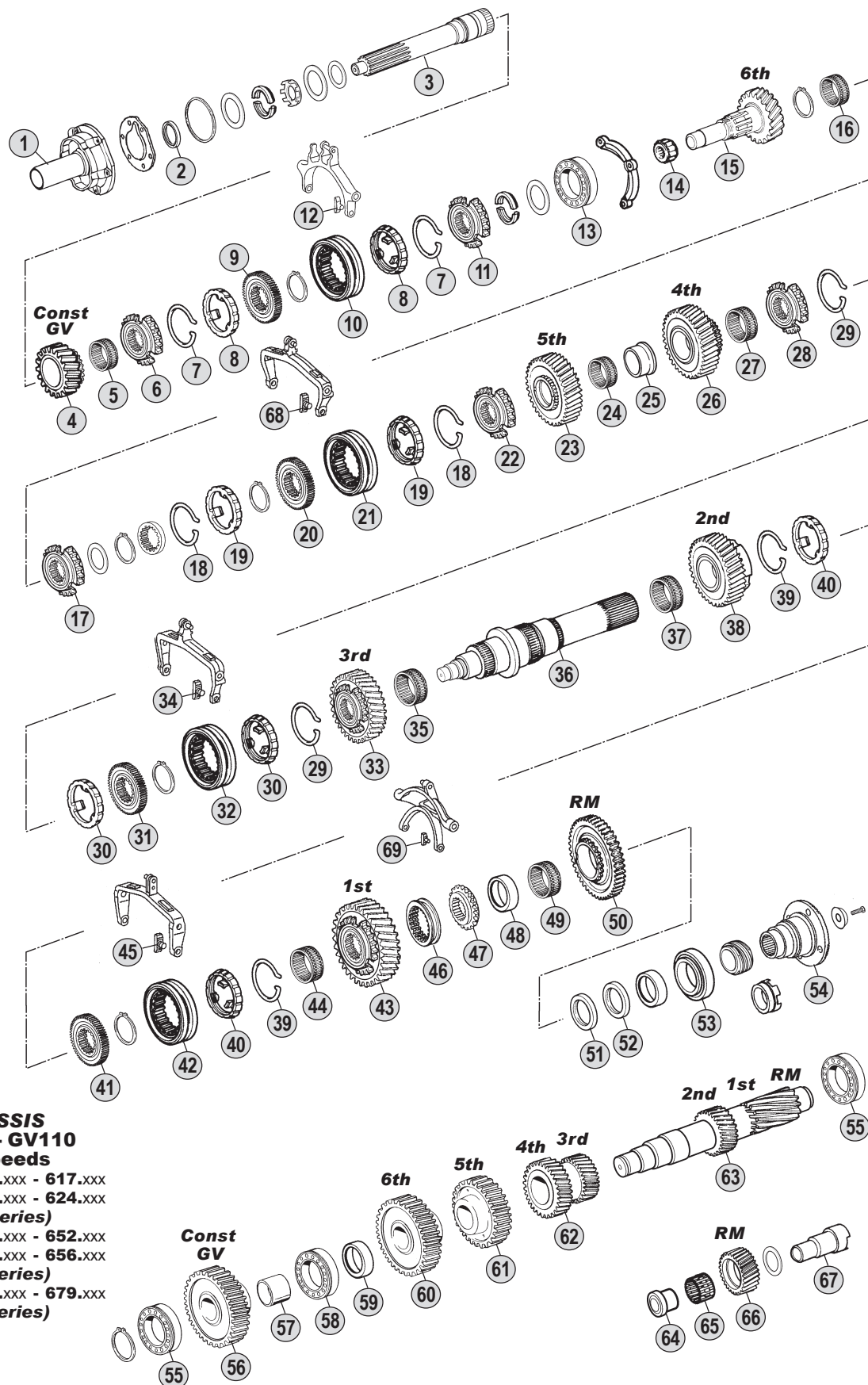
- (A) GV4/95 Up to gearbox 348399 (B) G4/95 From gearbox 348400
 (C) GV4/110 Up to gearbox 355346 (D) GV4/110 From gearbox 355347
 GV4/110 Only 715.120 Up to gearbox 348399 GV4/110 Only 715.120 From gearbox 348400
 (E) GV4/95 Up to gearbox 124518 (F) G4/95 From gearbox 124519

Date

01 / 2004

Table

007

Suitable To: **MERCEDES****GV4/95 - 110 (12 Speeds)**

**CHASSIS
GV4/95 - GV110
12 Speeds**

615.xxx - 616.xxx - 617.xxx

619.xxx - 621.xxx - 624.xxx

(MK Series)

650.xxx - 651.xxx - 652.xxx

653.xxx - 654.xxx - 656.xxx

(SK Series)

676.xxx - 677.xxx - 679.xxx

(LK Series)**Models****GV4/95-6/9,0** 714.607-608-609 715.108-109**GV4/110-6/9,0** 714.625-627-628-629-634-635-639-661-662-663-665-666-672-673 715.120

GV4/95-6/9.0
GV4/110-6/9.0

Fig.	CEI no.	MB no.	Description	Q.ty	Note					
50	147.172	387 262 0233	Reverse gear	1	(E)	●				
50	147.170	387 262 1033	Reverse gear	1	(F)	●				
50	147.173	387 262 0033	Reverse gear	1			●			
51	139.564	017 997 2547	Oil seal	1		●	●			
52	139.563	017 997 7947	Oil seal	1		●	●			
53	130.572	008 981 5301	Bearing	1		●	●			
54	197.090	387 262 1045	Output flange D.150	1		●	●			
54	197.092	387 262 0745	Output flange D.165	1		●	●			
55	130.571	009 981 3105	Bearing	2		●	●			
56	146.520	387 263 2010	Constant gear GV 41 T	1		●	●			
57	117.344	387 263 0050	Bush	1		●	●			
58	130.585	004 981 3601	Bearing	1		●	●			
59	117.343	387 263 0550	Bush	1		●	●			
60	146.512	387 263 1510	Gear 6th Speed	1		●				
60	146.510	387 263 1810	Gear 6th Speed 43 T	1			●			
61	146.511	387 263 0215	Gear 5th Speed	1		●				
61	146.509	387 263 0015	Gear 5th Speed 34 T	1			●			
62	143.110	387 263 0613	Double gear 4th-3rd Sp.25/21 T	1		●				
62	143.109	387 263 1313	Double gear 4th-3rd Sp.25/21 T	1			●			
63	105.144	387 263 2102	Countershaft	1		●				
63	105.145	387 263 2202	Countershaft 16/12 T	1			●			
64	117.332	387 263 0850	Bush	1		●				
64		387 263 0950	Bush	1	Old Type		●			
64	117.331	387 263 1250	Bush	1	New Type		●			
65	137.202	010 981 5110	Needle cage	1		●				
65	137.207	010 981 5210	Needle cage	1			●			
66	147.169	387 263 1231	Reverse gear	1		●				
66	147.171	387 263 0631	Reverse gear 21 T	1			●			
67	107.178	387 263 0830	Reverse shaft	1		●				
67		387 263 0530	Reverse shaft	1	Old Type		●			
67	107.177	387 263 1430	Reverse shaft	1	New Type		●			
68	141.161	389 265 2349	Slide	2		●	●			
69	141.160	945 265 0149	Slide	2		●	●			

12 Speeds
GV4/95
GV4/110

Notes

- (A) GV4/95 Up to gearbox 348399 (B) G4/95 From gearbox 348400
 (C) GV4/110 Up to gearbox 355346 (D) GV4/110 From gearbox 355347
 GV4/110 Only 715.120 Up to gearbox 348399 GV4/110 Only 715.120 From gearbox 348400
 (E) GV4/95 Up to gearbox 124518 (F) G4/95 From gearbox 124519

Date

01 / 2004

Table

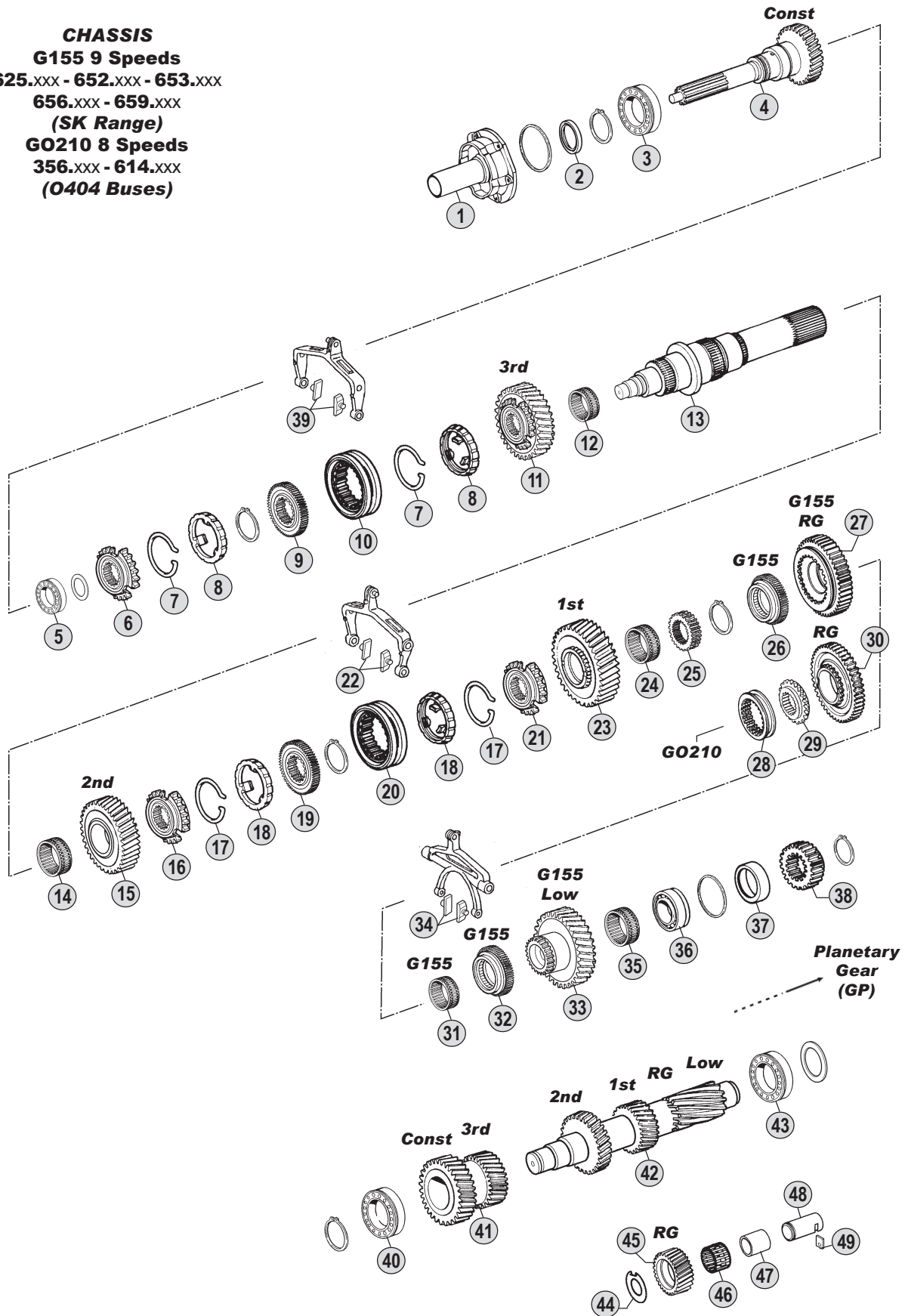
007

All original equipment manufacturers numbers, symbols, pictures, models and description used in this catalogue are for reference only, and it is not implied that any part listed is the product of these manufactures.
 Tutti i nostri particolari non sono originali ma con essi intercambiabili. I riferimenti originali, le figure, i modelli sono esposti a semplice titolo indicativo. La nostra produzione riporta il nostro marchio.

Suitable To: **MERCEDES**

G155 (9 Speeds) - GO210 (8 Speeds)

CHASSIS
G155 9 Speeds
625.XXX - 652.XXX - 653.XXX
656.XXX - 659.XXX
(SK Range)
GO210 8 Speeds
356.XXX - 614.XXX
(O404 Buses)



Models

G155 - 9 / 15,9 - 1,00	714.741-742-744-745-750-753-754-755-756-757-758-759
GO210 - 8 / 11,8 - 1,00	714.743(EPS)



All original equipment manufacturers' numbers, symbols, pictures, models and description used in this catalogue are for reference only, and it is not implied that any part listed is the product of these manufactures. Tutti i nostri particolari non sono originali ma con essi intercambiabili. I riferimenti originali, le figure, i modelli sono esposti a semplice titolo indicativo. La nostra produzione riporta il nostro marchio.

Fig.	CEI no.	MB no.	Description	Q.ty	Note					
1	135.131	389 261 3318	Front Cover	1		●	●			
2	139.549	015 997 1647	Seal ring	1		●	●			
3	130.550	011 981 1305	Bearing	1		●	●			
4	102.269	389 262 3502	Input shaft 24 T	1		●	●			
5	130.551	008 981 4005	Bearing D.40x90,9x32	1		●	●			
6	109.131	389 262 5634	Synchronizer flange	1		●	●			
7	111.204	387 262 1093	Spap ring	2		●	●			
8	119.112	389 262 0637	Synchronizer cone	2		●	●			
9	157.214	389 262 0635	Guide sleeve 3rd-4th Speed	1		●	●			
10	154.214	389 262 3023	Sliding sleeve	1		●	●			
11	145.603	389 262 1013	Gear 3rd Speed 27 T	1		●	●			
12	137.184	009 981 1410	Needle cage	1		●	●			
13	103.147	389 262 1305	Main shaft	1		●	●			
14	137.177	018 981 6610	Needle cage	1		●	●			
15	145.602	389 262 1412	Gear 2nd Speed 34 T	1		●	●			
16	109.339	389 262 0534	Synchronizer flange	1		●	●			
17	111.205	387 262 0893	Spap ring	2		●	●			
18	119.161	389 262 0737	Synchronizer cone	2		●	●			
19	157.213	389 262 0035	Hub 1st-2nd Speed	1		●	●			
20	154.213	389 262 2923	Sliding sleeve	1		●	●			
21	109.187	945 262 0434	Synchronizer flange	1		●	●			
22	141.161	389 265 2349	Slide	2		●	●			
23	145.601	389 262 1711	Gear 1st Speed 41 T	1		●	●			
24	137.182	008 981 8310	Needle cage D.75x83x55	1		●	●			
25	157.601	389 262 0435	Hub	1		●				
25		389 262 2135	Hub	1			●			
26	154.225	389 262 0223	Sliding sleeve	1		●				
27	147.156	389 262 0533	Reverse gear 36 T	1		●				
28	154.223	389 262 1823	Sliding sleeve	1			●			
29	109.340	389 262 0140	Synchronizer cone	1			●			
30	147.157	389 262 1833	Reverse gear 34 T	1			●			
31	137.183	013 981 5310	Needle cage	1		●				
32	157.602	389 262 0040	Hub	1		●				
33	145.605	389 262 0211	Gear Low 39 T	1		●				
34	141.160	945 265 0149	Slide	2		●	●			
35	137.185	013 981 6510	Needle cage	1		●	●			
36	130.552	012 981 9305	Bearing D.60x130x30	1		●	●			
37	117.326	389 262 0152	Spacer S.20,30 mm	1	(A)	●	●			
37	117.325	389 262 3754	Spacer S.18,00 mm	1	(B)	●	●			
38	157.600	389 262 0409	Sun gear 25 T	1	(A)	●	●			
38	157.212	389 262 0209	Sun gear 25 T	1	(B)	●	●			
39	141.161	389 265 2349	Slide	2		●	●			
40	130.554	014 981 1405	Bearing	1		●	●			
41	143.106	389 263 1113	Double gear Const-3rd Speed	1		●	●			
42	105.129	389 263 0902	Countershaft 21/17/12 T	1		●	●			

Notes

- (A) Up to gearbox **182425** - See GP section (table 008B) for the coupling
 (B) From gearbox **182426** - See GP section (table 008B) for the coupling
 (C) Up to **06/96**
 (D) From **07/96**

Date

01 / 2004

Table

008 / A

All original equipment manufacturers' numbers, symbols, pictures, models and description used in this catalogue are for reference only, and it is not implied that any part listed is the product of these manufactures.
 Tutti i nostri particolari non sono originali ma con essi intercambiabili. I riferimenti originali, le figure, i modelli sono esposti a semplice titolo indicativo. La nostra produzione riporta il nostro marchio.

Suitable To: **MERCEDES**

G155 (9 Speeds) - GO210 (8 Speeds)

CHASSIS

G155 9 Speeds

625.XXX - 652.XXX - 653.XXX

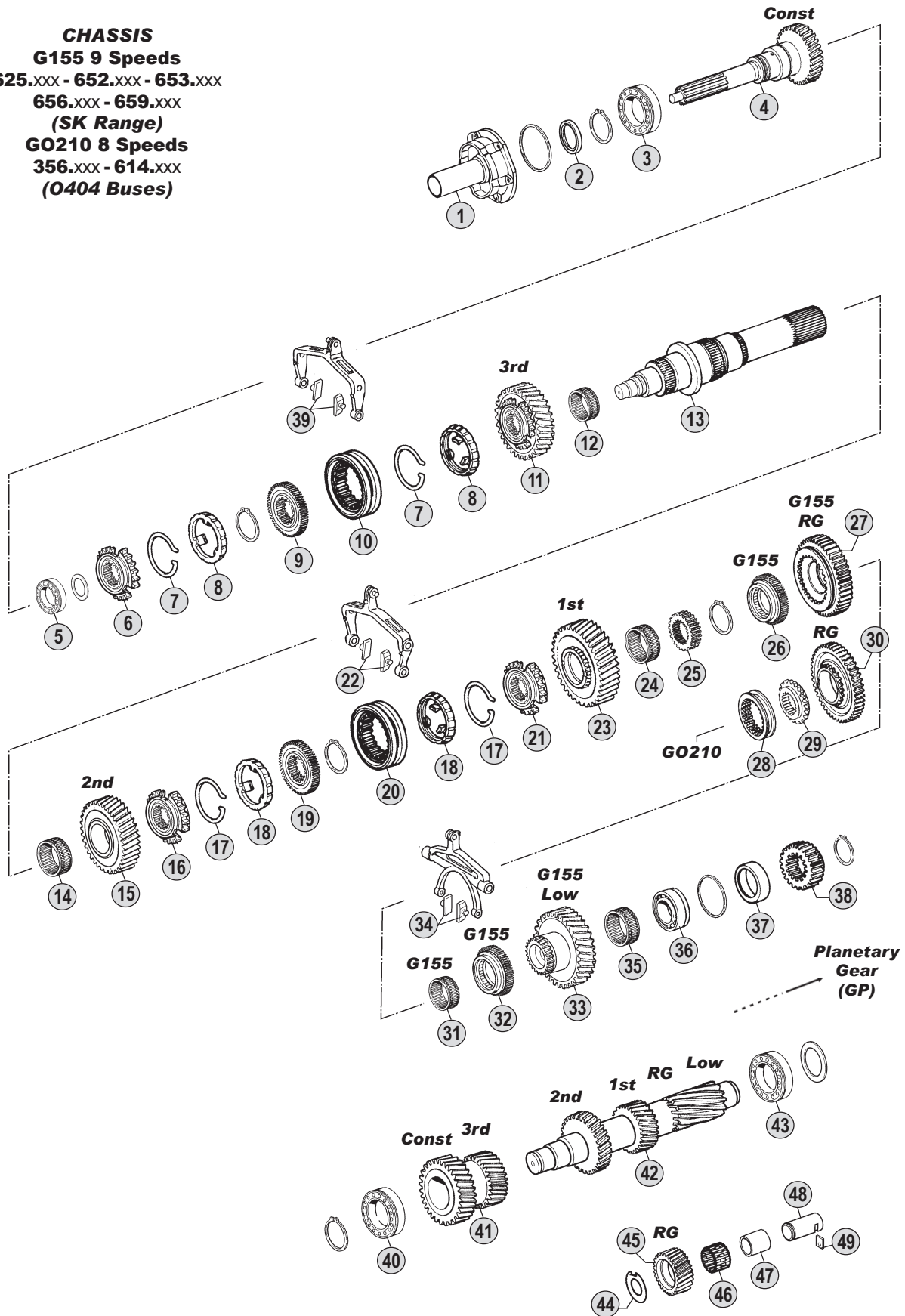
656.XXX - 659.XXX

(SK Range)

GO210 8 Speeds

356.XXX - 614.XXX

(O404 Buses)



Models

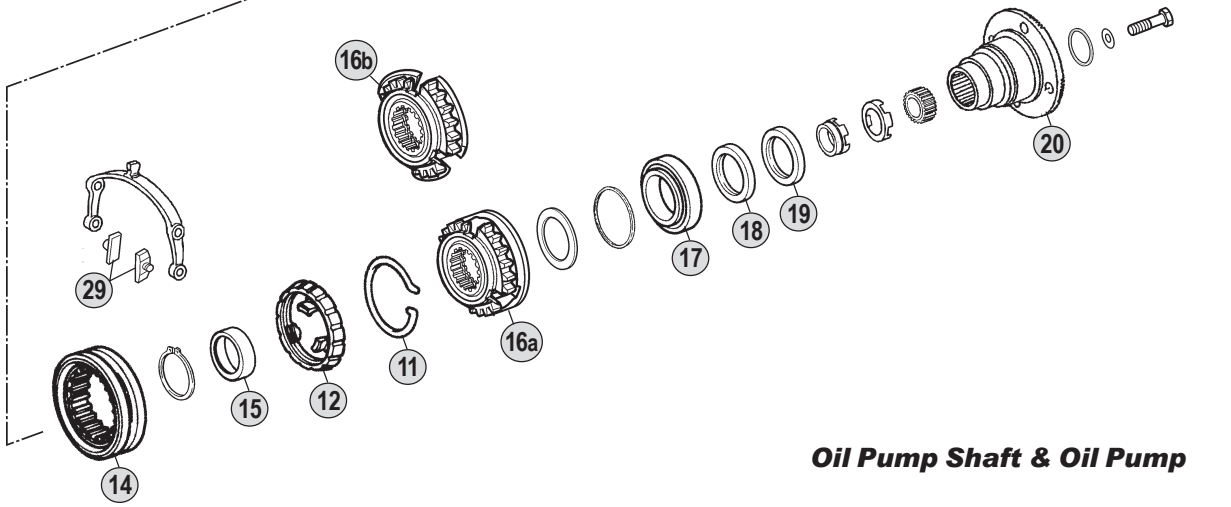
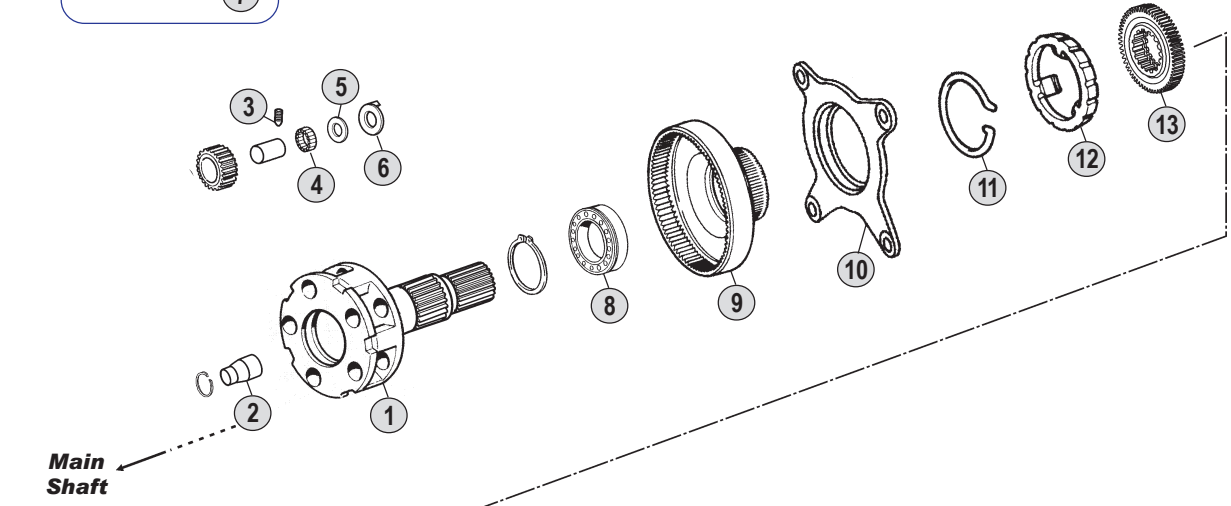
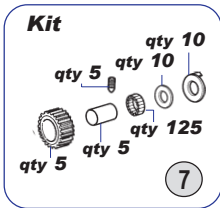
G155 - 9 / 15,9 - 1,00 714.741-742-744-745-750-753-754-755-756-757-758-759

GO210 - 8 / 11,8 - 1,00 714.743(EPS)

All original equipment manufacturers' numbers, symbols, pictures, models and description used in this catalogue are for reference only, and it is not implied that any part listed is the product of these manufactures. Tutti i nostri particolari non sono originali ma con essi intercambiabili. I riferimenti originali, le figure, i modelli sono esposti a semplice titolo indicativo. La nostra produzione riporta il nostro marchio.

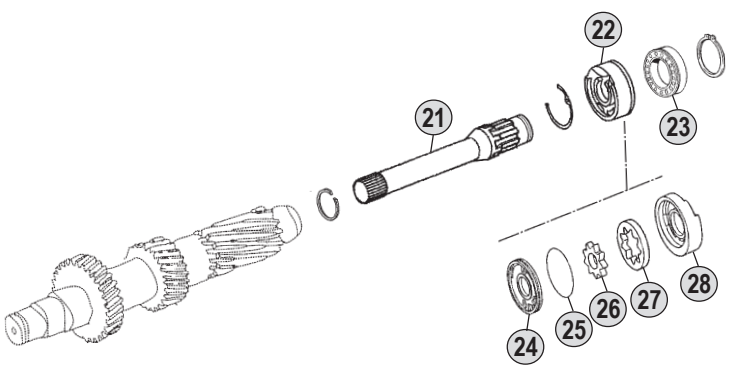
Suitable To: **MERCEDES**

G155 (9 Speeds) - GO210 (8 Speeds)



Oil Pump Shaft & Oil Pump

CHASSIS
G155 9 Speeds
625.XXX - 652.XXX - 653.XXX
656.XXX - 659.XXX
(SK Range)
GO210 8 Speeds
356.XXX - 614.XXX
(O404 Buses)



All original equipment manufacturers' numbers, symbols, pictures, models and description used in this catalogue are for reference only, and it is not implied that any part listed is the product of these manufactures. Tutti i nostri particolari non sono originali ma con essi intercambiabili. I riferimenti originali, le figure, i modelli sono esposti a semplice titolo indicativo. La nostra produzione riporta il nostro marchio.

Models

G155 - 9 / 15,9 - 1,00	714.741-742-744-745-750-753-754-755-756-757-758-759
GO210 - 8 / 11,8 - 1,00	714.743(EPS)



Fig.	CEI no.	MB no.	Description	Q.ty	Note					
1	190.336	389 260 0661	Planetary carrier	1	(A)	●	●			
1	190.335	389 260 8961	Planetary carrier	1	(B)	●	●			
2	188.180	389 269 0134	Oil tube	1		●	●			
3	187.609	000914 006109	Stud 6x14 mm	5		●	●			
4	171.056	001 981 2887	Needle	125	(A)	●	●			
4	171.057	000 981 4186	Needle	125	(B)	●	●			
5	169.801	389 262 0162	Thrust washer	10		●	●			
6	169.802	389 262 0262	Thrust washer	10		●	●			
7	198.884	389 260 0297	Repair kit	1	(A)	●	●			
7	198.883	389 260 0497	Repair kit	1	(B)	●	●			
8	130.540	008 981 1325	Bearing D.90x130x14	1		●	●			
9	123.228	389 262 0208	Crown gear 80 T	1		●	●			
10	198.882	389 260 0936	Synchronizer flange	1	(E)	●	●			
10	198.879	389 260 2036	Synchronizer flange	1	(F)	●	●			
11	111.206	389 262 0293	Ring	2		●	●			
12	119.160	389 262 0537	Synchronizer cone	2		●	●			
13	155.206	389 262 0535	Synchronizer hub	1	(E) Outer Teeth Z 72	●	●			
13	155.204	389 262 2035	Synchronizer hub	1	(F) Outer Teeth Z 73	●	●			
14	154.222	389 262 1523	Sliding sleeve	1	(E) Inner Teeth Z 72	●	●			
14	154.217	945 262 0823	Sliding sleeve	1	(F) Inner Teeth Z 73	●	●			
15	117.322	389 262 0251	Spacer	1		●	●			
16a	109.338	389 262 2334	Synchronizer flange	1	(E)	●	●			
16a	109.188	389 262 4034	Synchronizer flange	1	(F) W / Rear Housing 389 261 4603	●	●			
16b	109.334	389 262 9134	Synchronizer flange	1	(F) W / Rear Housing 389 261 5126	●	●			
17	130.539	004 981 9325	Bearing D.85x150x28	1		●	●			
18	139.551	013 997 7247	Oil seal	1		●	●			
19	139.552	013 997 7347	Oil seal	1		●	●			
20	197.079	389 262 0445	Output flange D.180 mm	1		●	●			
21	101.123	389 269 1210	Oil pump shaft	1		●	●			
22	280.587	389 260 0690	Oil pump	1	Old Type - Assembly	●	●			
23	130.538	004 981 9225	Bearing D.45x75x16	1		●	●			
24	189.607	945 269 0101	Oil pump cover	1	New Type - Disassembled	●	●			
25	111.208	029 997 5748	Ring	1	New Type - Disassembled	●	●			
26	189.606	389 269 1406	Oil pump gear	1	New Type - Disassembled	●	●			
27	189.605	389 269 0706	Oil pump hub	1	New Type - Disassembled	●	●			
28	189.604	389 269 3801	Oil pump housing	1	New Type - Disassembled	●	●			
29	141.162	389 265 2449	Slide	2		●	●			

Notes

- (A) Up to gearbox **182425** - See Sun gear (table 008A) for the coupling
 (B) From gearbox **182426** - See Sun gear (table 008A) for the coupling
 (E) Up to gearbox **201817**
 (F) From gearbox **201818**

Date

01 / 2004

Table

008 / B

All original equipment manufacturers numbers, symbols, pictures, models and description used in this catalogue are for reference only, and it is not implied that any part listed is the product of these manufactures.
 Tutti i nostri particolari non sono originali ma con essi intercambiabili. I riferimenti originali, le figure, i modelli sono esposti a semplice titolo indicativo. La nostra produzione riporta il nostro marchio.

Suitable To: **MERCEDES**

Gearbox Models

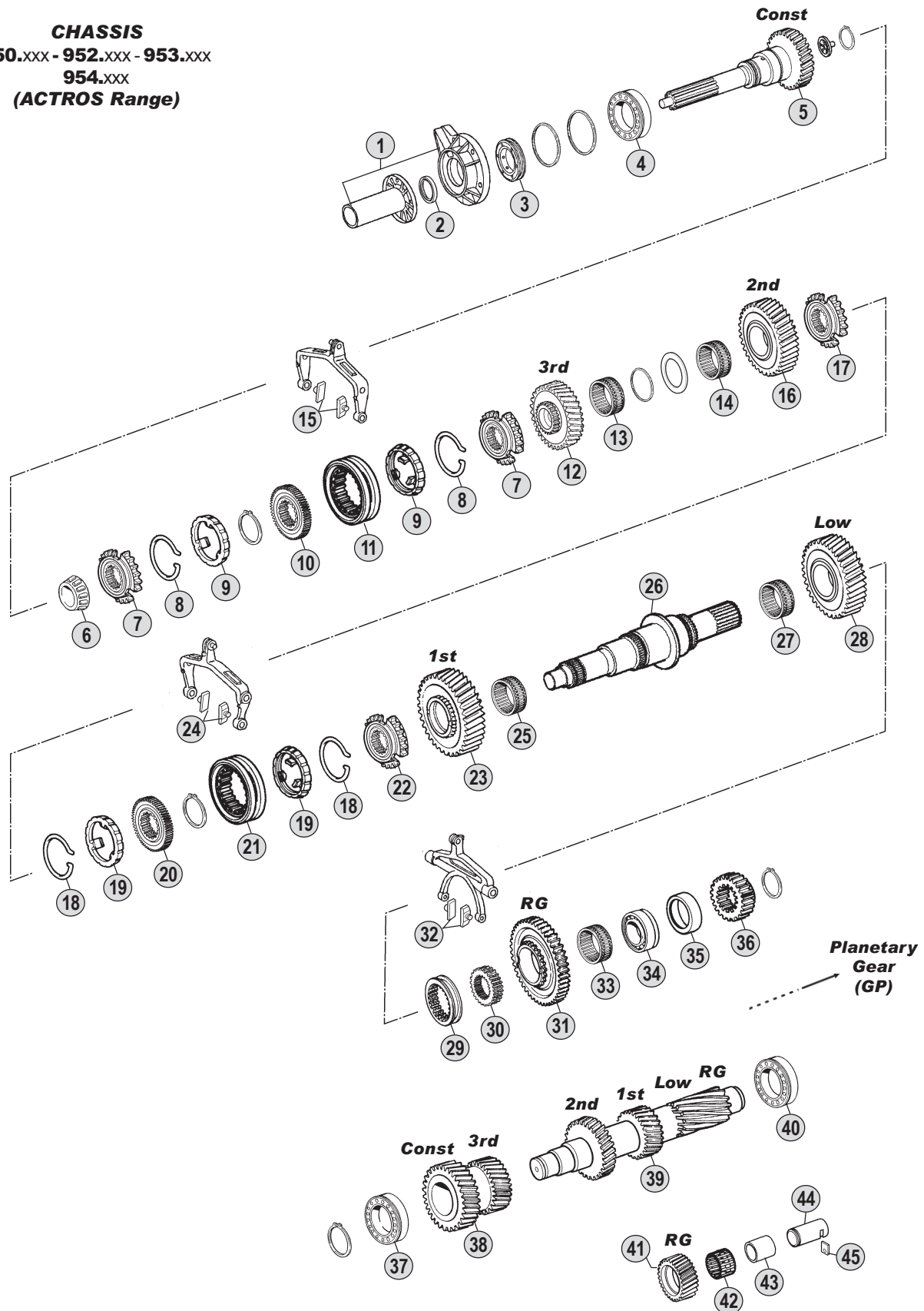
G221 (9 Speeds)

CHASSIS

950.XXX - 952.XXX - 953.XXX

954.XXX

(ACTROS Range)



All original equipment manufacturers' numbers, symbols, pictures, models and description used in this catalogue are for reference only, and it is not implied that any part listed is the product of these manufacturers. Tutti i nostri particolari non sono originali ma con essi intercambiabili. I riferimenti originali, le figure, i modelli sono esposti a semplice titolo indicativo. La nostra produzione riporta il nostro marchio.

Models

G221 - 9 / 10,19-1,0 715.560-561-564

Fig.	CEI no.	MB no.	Description	Q.ty	Note					
1	135.134	945 261 1118	Front cover	1		●				
2	139.549	015 997 1647	Oil seal	1		●				
3	139.555	389 261 0665	Ring	1		●				
4	130.550	011 981 1305	Bearing	1		●				
5	102.286	945 262 1602	Input shaft	1	715.560-561	●				
5	102.288	945 262 2602	Input shaft	1	715.560-561	●				
5	102.289	945 262 4202	Input shaft	1	715.560-561	●				
5	102.287	945 262 4902	Input shaft	1	715.564	●				
6	130.558	015 981 1605	Bearing	1		●				
7	109.335	945 262 0334	Synchronizer cone	2		●				
8	111.204	387 262 1093	Spap ring	2		●				
9	119.112	389 262 0637	Synchronizer cone	2		●				
10	157.607	945 262 1935	Synchronizer hub	1		●				
11	154.221	945 262 0323	Sliding sleeve	1		●				
12	145.620	945 262 1313	Gear 3rd speed	1		●				
13	137.190	009 981 4510	Needle cage	1		●				
14	137.191	019 981 9210	Needle cage	1		●				
15	141.165	389 265 2749	Slide	2		●				
16	145.604	945 262 0412	Gear 2nd Speed	1		●				
17	109.189	945 262 0534	Synchronizer flange	1		●				
18	111.205	387 262 0893	Spap ring	2		●				
19	119.161	389 262 0737	Synchronizer cone	2		●				
20	157.557	389 262 2535	Synchronizer hub	1		●				
21	154.220	945 262 0423	Sliding sleeve	1		●				
22	109.187	945 262 0434	Synchronizer flange	1		●				
23	145.600	945 262 2711	Gear 1st Speed 39 T	1		●				
24	141.165	389 265 2749	Slide	2		●				
25	137.192	021 981 1710	Needle cage	1		●				
26	103.151	945 262 1205	Main shaft	1		●				
27	137.188	016 981 0010	Needle cage	1		●				
28	145.622	945 262 0511	Gear Low speed	1	With Sleeve 945 262 2023	●				
28	145.621	945 262 1111	Gear Low speed	1	With Sleeve 945 262 2123	●				
29	154.228	945 262 2023	Sliding sleeve	1		●				
29	154.227	945 262 2123	Sliding sleeve	1		●				
30	154.226	945 262 2135	Hub	1		●				
31	147.165	945 262 0633	Reverse gear	1	With Sleeve 945 262 2023	●				
31	147.164	945 262 1033	Reverse gear	1	With Sleeve 945 262 2123	●				
32	141.160	945 265 0149	Slide	2		●				
33	137.193	019 981 9010	Needle cage	1		●				
34	130.552	012 981 9305	Bearing D.60x130x30	1		●				
35	117.325	389 262 3754	Spacer S.18,00 mm	1		●				
36	157.608	945 262 0109	Sun gear	1		●				
37	130.554	014 981 1405	Bearing	1		●				
38	143.103	389 263 1813	Double gear Const-3rd Sp.34-29 T	1		●				
39	105.133	945 263 0302	Countershaft	1		●				

Notes

Date

01 / 2004

Table

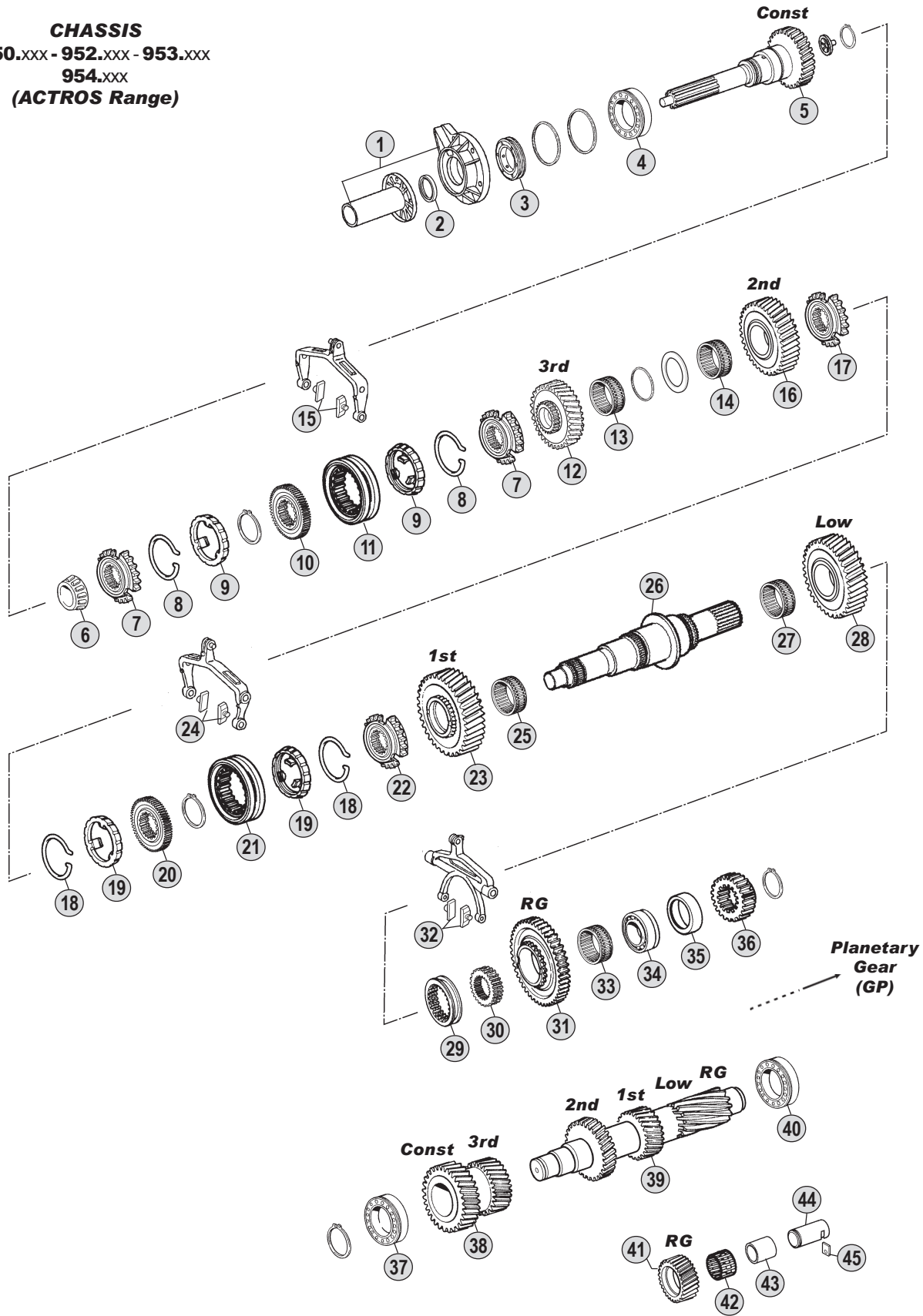
009 / A

All original equipment manufacturers' numbers, symbols, pictures and description used in this catalogue are for reference only, and it is not implied that any part listed is the product of these manufactures.
Tutti i nostri particolari non sono originali ma con essi intercambiabili. I riferimenti originali, le figure, i modelli sono esposti a semplice titolo indicativo. La nostra produzione riporta il nostro marchio.

Suitable To: MERCEDES

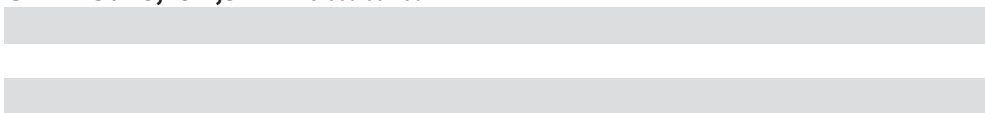
G221 (9 Speeds)

CHASSIS
950.XXX - 952.XXX - 953.XXX
954.XXX
(ACTROS Range)



Models

G221 - 9 / 10,19-1,0 715.560-561-564



All original equipment manufacturers' numbers, symbols, pictures, models and description used in this catalogue are for reference only, and it is not implied that any part listed is the product of these manufactures.
 Tutti i nostri particolari non sono originali ma con essi intercambiabili. I riferimenti originali, le figure, i modelli sono esposti a semplice titolo indicativo. La nostra produzione riporta il nostro marchio.

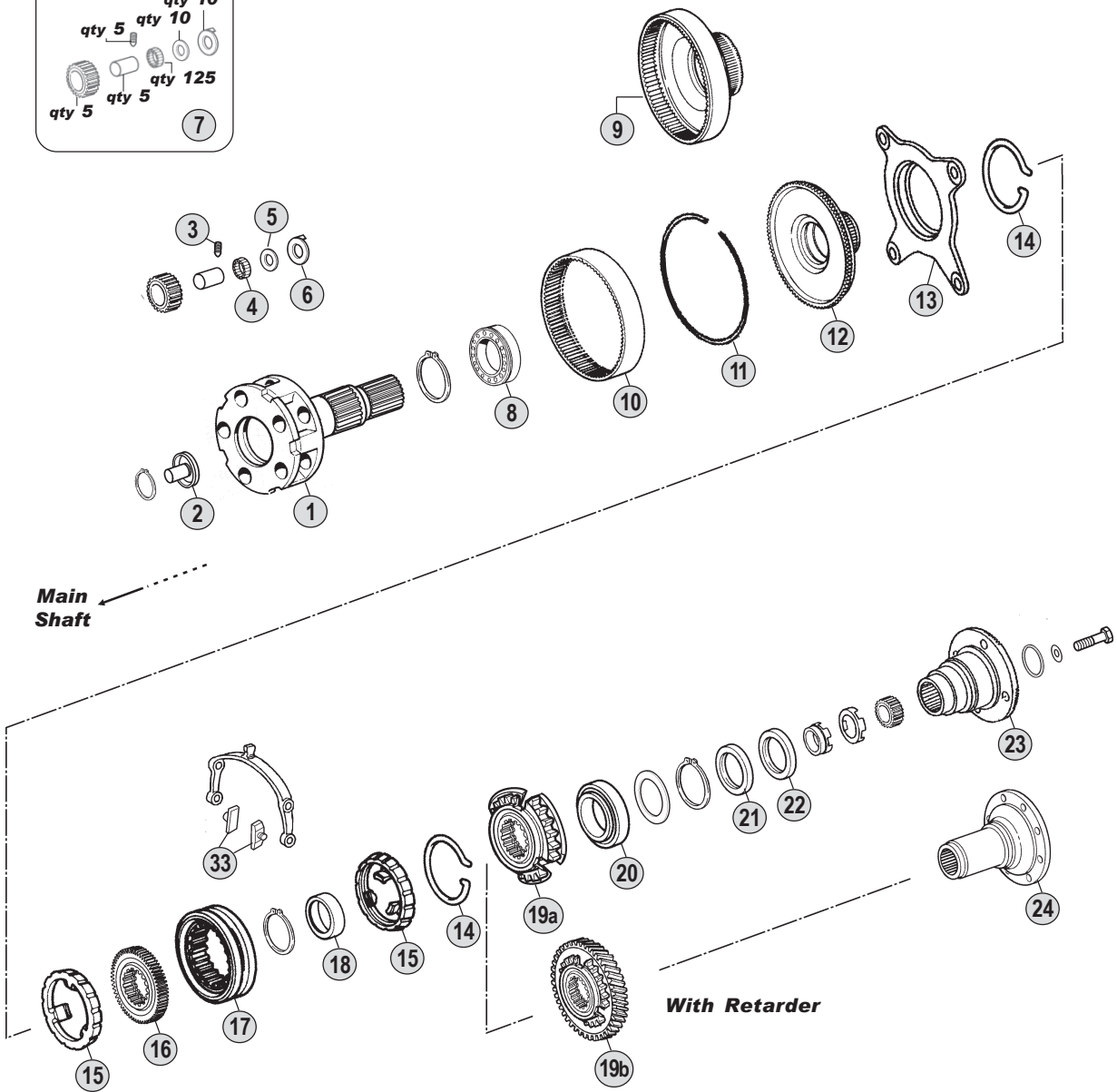
Suitable To: MERCEDES

G221 (9 Speeds)

Kit

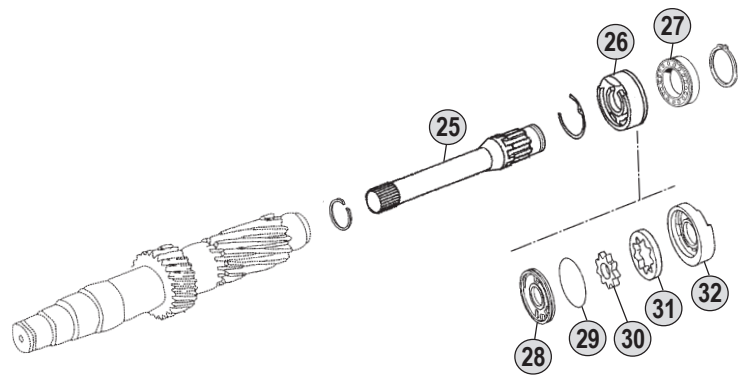
qty 5 qty 10
 qty 5 qty 10
 qty 5 qty 125

7



Oil Pump Shaft & Oil Pump

CHASSIS
 950.XXX - 952.XXX - 953.XXX
 954.XXX
 (ACTROS Range)



All original equipment manufacturers' numbers, symbols, pictures, models and description used in this catalogue are for reference only, and it is not implied that any part listed is the product of these manufactures. Tutti i nostri particolari non sono originali ma con essi intercambiabili. I riferimenti originali, le figure, i modelli sono esposti a semplice titolo indicativo. La nostra produzione riporta il nostro marchio.

Models

G221 - 9 / 10,19-1,0 715.560-561-564



Fig.	CEI no.	MB no.	Description	Q.ty	Note					
1	190.339	945 260 1961	Planetary carrier	1		●				
2	188.181	389 269 4734	Oil tube	1		●				
3	187.609	000914 006109	Stud 6x14 mm	5		●				
4	171.057	000 981 4186	Needle	125		●				
5	169.801	389 262 0162	Thrust washer	10		●				
6	169.803	389 262 1362	Thrust washer	10		●				
7	198.887	945 260 0197	Repair kit	1		●				
8	130.540	008 981 1325	Bearing D.90x130x14	1		●				
9	123.230	945 262 0108	Crown gear 85 T	1	ALT-1 pc. Fig.10+Fig.11+Fig.12	●				
10	123.232	945 262 0208	Crown gear 85 T	1	ALT-1 pc. Fig.9 (Crown assy)	●				
11	111.209	389 262 0773	Ring	1		●				
12	150.144	389 262 1425	Flange gear	1	ALT-1 pc. Fig.9 (Crown assy)	●				
13	198.879	389 260 2036	Synchronizer flange	1		●				
14	111.206	389 262 0293	Ring	2		●				
15	119.160	389 262 0537	Synchronizer cone	2		●				
16	155.204	389 262 2035	Synchronizer hub	1		●				
17	154.217	945 262 0823	Sliding sleeve	1		●				
18	117.322	389 262 0251	Spacer	1		●				
19a	109.337	389 262 9234	Synchronizer cone	1		●				
19b	109.342	389 264 0730	Synchronizer flange	1	For model with VOITH Retarder	●				
20	130.564	008 981 3025	Bearing D.80x150x28	1		●				
20	130.563	007 981 8201	Bearing	1	For model with TELMA retarder	●				
21	139.551	013 997 7247	Oil seal	1		●				
21	139.552	013 997 7347	Oil seal	1	For model with VOITH Retarder	●				
21	139.557	015 997 6447	Oil seal	1	For model with TELMA retarder	●				
22	139.552	013 997 7347	Oil seal	1		●				
22	139.558	017 997 1247	Oil seal	1	For model with TELMA retarder	●				
23	197.083	945 262 0045	Output flange D.180	1		●				
23	197.082	389 262 0645	Output flange D.200	1		●				
23	197.081	389 262 0545	Output flange D.180	1	For model with VOITH Retarder	●				
23	197.080	389 262 0945	Output flange D.200	1	For model with VOITH Retarder	●				
24	197.085	387 264 1945	Output flange D.198	1	For model with TELMA retarder	●				
24	197.084	945 262 0445	Output flange D.200	1	For model with TELMA retarder	●				
25	101.123	389 269 1210	Oil pump shaft	1		●				
25	101.124	389 269 1310	Oil pump shaft	1	For model with VOITH Retarder	●				
26	280.587	389 260 0690	Oil pump	1	Old Type - Assembly	●				
27	130.538	004 981 9225	Bearing D.45x75x16	1		●				
28	189.607	945 269 0101	Oil pump cover	1	New Type - Disassembled	●				
29	111.208	029 997 5748	Ring	1	New Type - Disassembled	●				
30	189.606	389 269 1406	Oil pump gear	1	New Type - Disassembled	●				
31	189.605	389 269 0706	Oil pump hub	1	New Type - Disassembled	●				
32	189.604	389 269 3801	Oil pump housing	1	New Type - Disassembled	●				
33	141.162	389 265 2449	Slide	2		●				

Notes

Date

01 / 2004

Table

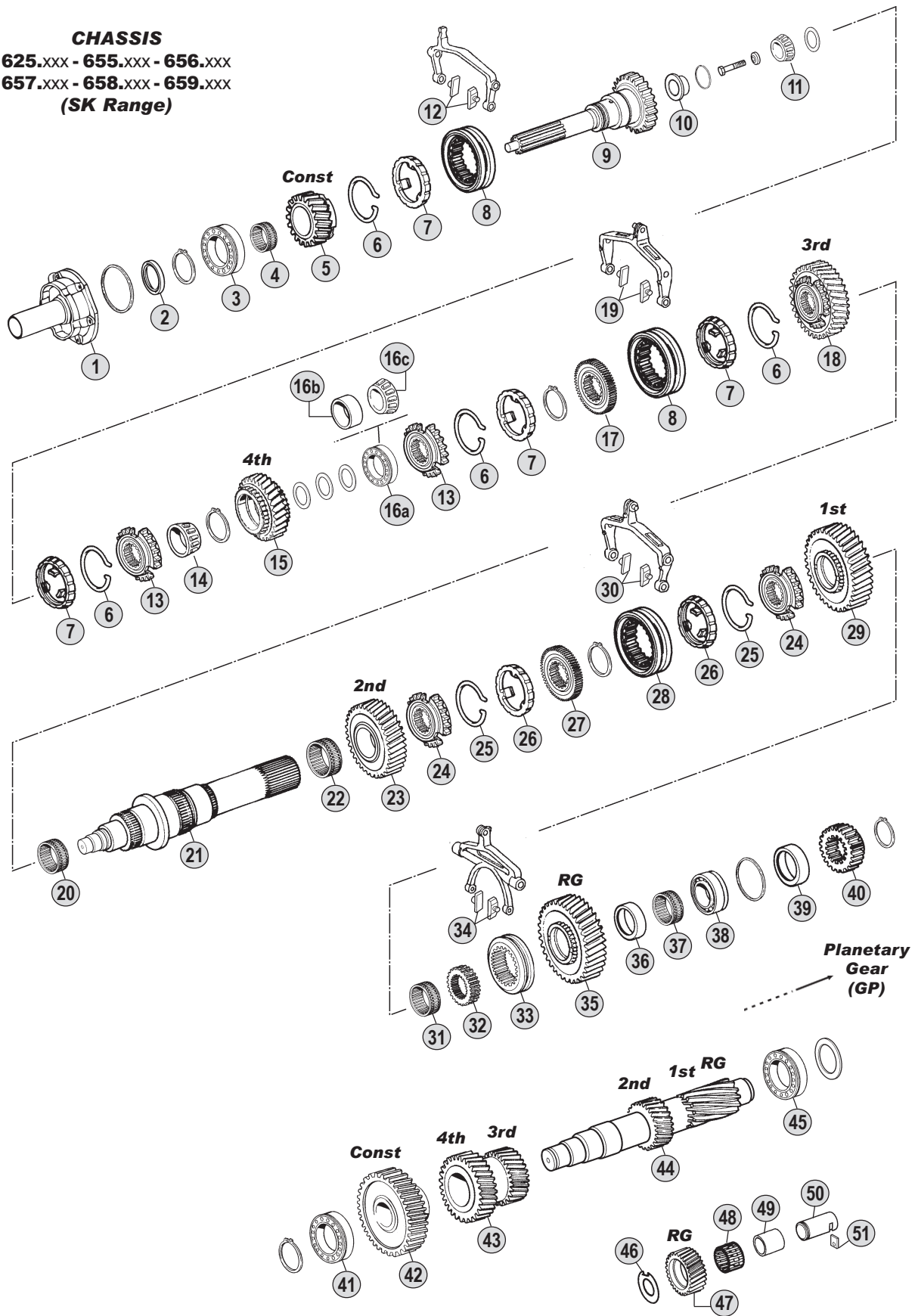
009 / B

All original equipment manufacturers' numbers, symbols, pictures, models and description used in this catalogue are for reference only, and it is not implied that any part listed is the product of these manufactures.
Tutti i nostri particolari non sono originali ma con essi intercambiabili. I riferimenti originali, le figure, i modelli sono esposti a semplice titolo indicativo. La nostra produzione riporta il nostro marchio.

Suitable To: **MERCEDES**

G125 - G135 (16 Speeds)

CHASSIS
625.XXX - 655.XXX - 656.XXX
657.XXX - 658.XXX - 659.XXX
(SK Range)



All original equipment manufacturers' numbers, symbols, pictures, models and description used in this catalogue are for reference only, and it is not implied that any part listed is the product of these manufactures. Tutti i nostri particolari non sono originali ma con essi intercambiabili. I riferimenti originali, le figure, i modelli sono esposti a semplice titolo indicativo. La nostra produzione riporta il nostro marchio.

Models

G125-16 / 14,0 - 1,00	714.720(EPS)-721-724-730(EPS)-731-732-733
G135-16 / 11,9 - 0,88	714.722(EPS)-723



G125-16/14.0-1.0
G135-16/11.9-0.88

Fig.	CEI no.	MB no.	Description	Q.ty	Note					
1	135.130	389 261 4418	Front Cover	1	714.720-721-730-731-732-733	●				
1	135.131	389 261 3318	Front Cover	1	714.724	●				
1	135.131	389 261 3318	Front Cover	1			●			
2	139.548	015 997 0347	Seal ring	1		●				
2	139.549	015 997 1647	Seal ring	1			●			
3	130.549	009 981 6205	Bearing D.62x72x29,7	1		●	●			
4	137.173	013 981 6410	Needle cage D.82x90x35	1	(A)	●	●			
4	137.174	016 981 0210	Needle cage	1	(B)	●	●			
5	145.593	389 262 1210	Constant gear 22 T	1		●				
5	145.594	389 262 1410	Constant gear 26 T	1			●			
6	111.204	387 262 1093	Spap ring	4		●	●			
7	119.112	389 262 0637	Synchronizer cone	4		●	●			
8	154.214	389 262 3023	Sliding sleeve	2		●	●			
9	102.265	389 262 1501	Input shaft	1	(A) 714.720-721-730-731-732-733	●				
9	102.267	389 262 2001	Input shaft	1	(A) 714.724	●				
9	102.267	389 262 2001	Input shaft	1	(A)		●			
9	102.266	389 262 3901	Input shaft	1	(B) 714.720-721-730-731-732-733	●				
9	102.268	389 262 4201	Input shaft	1	(B) 714.724	●				
9	102.268	389 262 4201	Input shaft	1	(B)		●			
10	139.550	018 997 8447	Ring	1		●	●			
11	130.544	009 981 0705	Bearing D.32x31	1		●	●			
12	141.162	389 265 2449	Slide	2		●	●			
13	109.131	389 262 5634	Synchronizer flange	2		●	●			
14	130.545	010 981 2405	Bearing D.45x25,7	1		●	●			
15	145.598	389 262 5410	Gear 4th Speed 24 T	1		●	●			
16a	130.546	011 981 7705	Bearing D.50x90x24	1	Old Type	●	●			
16b	130.548	002 981 1580	Bearing ring	1	New Type	●	●			
16c	130.547	014 981 1605	Bearing	1	New Type	●	●			
17	157.214	389 262 0635	Guide sleeve 3rd-4th Speed	1		●	●			
18	145.599	389 262 0713	Gear 3rd Speed 28 T	1		●	●			
19	141.161	389 265 2349	Slide	2		●	●			
20	137.176	014 981 3910	Needle cage	1		●	●			
21	103.145	389 262 1605	Main shaft	1	(A)	●	●			
21	103.146	389 262 2005	Main shaft	1	(B)	●	●			
22	137.177	018 981 6610	Needle cage	1		●	●			
23	145.596	389 262 1112	Gear 2nd Speed 32 T	1		●	●			
24	109.187	945 262 0434	Synchronizer flange	2		●	●			
25	111.205	387 262 0893	Spap ring	2		●	●			
26	119.161	389 262 0737	Synchronizer cone	2		●	●			
27	157.213	389 262 0035	Hub 1st-2nd Speed	1		●	●			
28	154.216	387 262 0623	Sliding sleeve	1	Up to gearbox 058288	●	●			
28	154.213	389 262 2923	Sliding sleeve	1	From gearbox 058289	●	●			
29	145.597	389 262 1411	Gear 1st Speed 38 T	1		●	●			
30	141.161	389 265 2349	Slide	2		●	●			
31	137.178	013 981 2510	Needle cage	1	Up to gearbox 073829	●	●			

Notes

- (A) Up to gearbox **300439**
 (B) From gearbox **300440**
 (C) Up to gearbox **176366** - See GP section (table 010B) for the coupling
 (D) From gearbox **176367** - See GP section (table 010B) for the coupling
 (E) Up to **06/96**
 (F) From **07/96**

Date

01 / 2004

Table

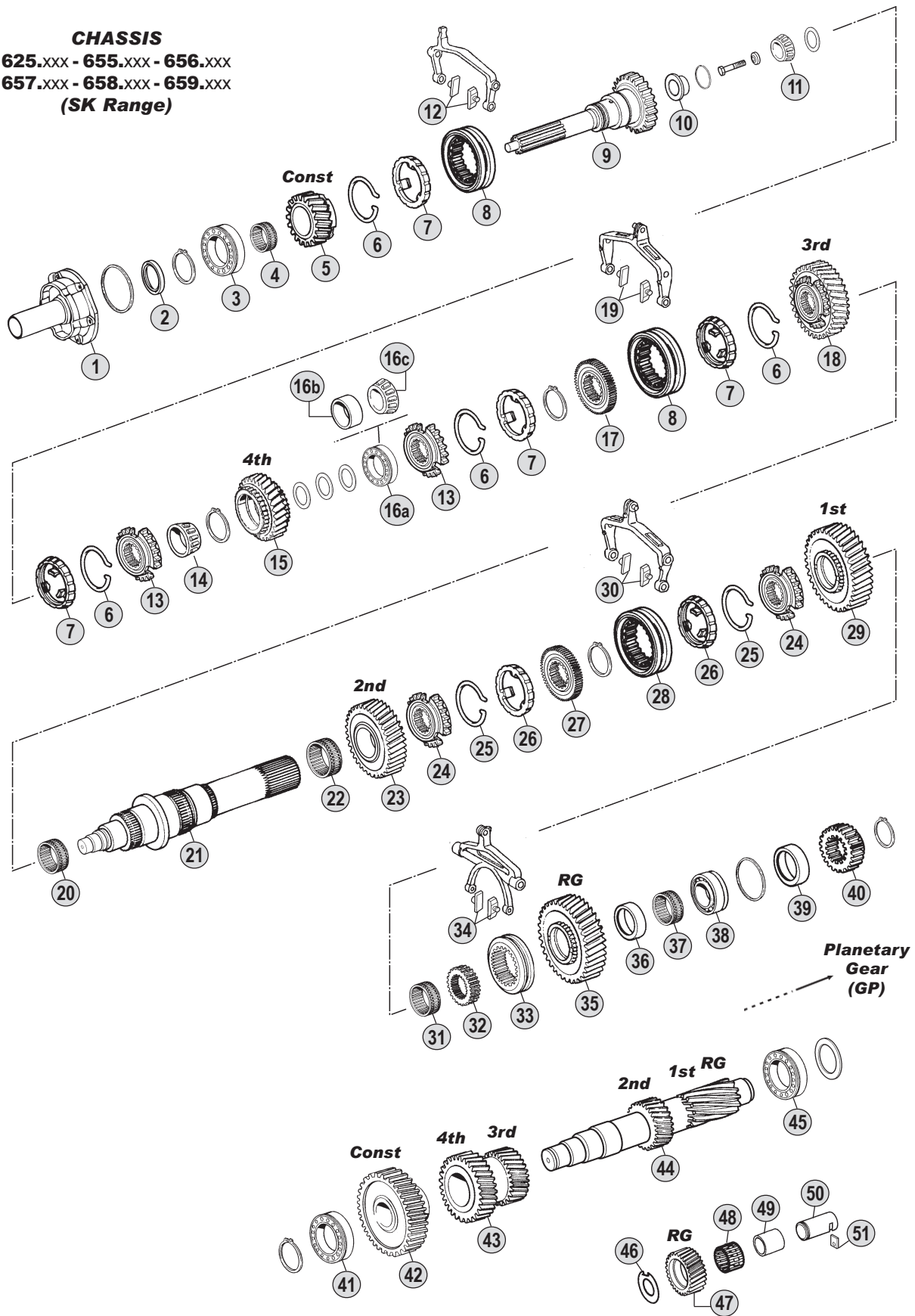
010 / A

All original equipment manufacturers' numbers, symbols, pictures, models and description used in this catalogue are for reference only, and it is not implied that any part listed is the product of these manufactures.
 Tutti i nostri particolari non sono originali ma con essi intercambiabili. I riferimenti originali, le figure, i modelli sono esposti a semplice titolo indicativo. La nostra produzione riporta il nostro marchio.

Suitable To : MERCEDES

G125 - G135 (16 Speeds)

CHASSIS
625.XXX - 655.XXX - 656.XXX
657.XXX - 658.XXX - 659.XXX
(SK Range)



All original equipment manufacturers' numbers, symbols, pictures, models and description used in this catalogue are for reference only, and it is not implied that any part listed is the product of these manufactures. Tutti i nostri particolari non sono originali ma con essi intercambiabili. I riferimenti originali, le figure, i modelli sono esposti a semplice titolo indicativo. La nostra produzione riporta il nostro marchio.

Models

G125-16 / 14,0 - 1,00 714.720(EPS)-721-724-730(EPS)-731-732-733
G135-16 / 11,9 - 0,88 714.722(EPS)-723



G125-16/14.0-1.0
G135-16/11.9-0.88

Fig.	CEI no.	MB no.	Description	Q.ty	Note					
31	137.179	014 981 4310	Needle cage	1	From gearbox 073830	●	●			
32	157.603	389 262 0135	Hub	1		●	●			
33	154.223	389 262 1823	Sliding sleeve	1	714.720-722-730	●	●			
33	154.224	389 262 1723	Sliding sleeve	1	714.721-723-724-731-732-733	●	●			
34	141.160	945 265 0149	Slide	2		●	●			
35	145.595	389 262 1633	Reverse gear 34 T	1		●	●			
36		389 262 0150	Bush	1	(A)	●	●			
36		389 262 1250	Bush	1	(B)	●	●			
37	137.180	013 981 1710	Needle cage	1		●	●			
38	130.543	008 981 8005	Bearing	1		●	●			
39		389 262 6352	Spacer	1		●	●			
40	157.558	389 262 0109	Sun gear 25 T	1	(C)	●	●			
40	157.559	389 262 0309	Sun gear 25 T	1	(D)	●	●			
41	130.542	010 981 5905	Bearing	1		●	●			
42	146.500	389 263 0510	Constant gear 27 T	1		●				
42	146.501	389 263 0610	Constant gear 23 T	1			●			
43	143.105	389 263 1513	Double gear 4th-3rd Speed 25/21 T	1		●	●			
44	105.127	389 263 0102	Countershaft 17/14 T	1	Up to gearbox 073829	●	●			
44	105.128	389 263 0702	Countershaft 17/14 T	1	From gearbox 073830	●	●			
45	130.541	010 981 5205	Bearing	1		●	●			
46		389 263 0062	Washer	1	(E)	●	●			
47		389 263 0131	Reverse gear	1	(E)	●	●			
47	147.154	389 263 1431	Reverse gear	1	(F)	●	●			
48	137.175	013 981 2210	Needle cage	1		●	●			
49		389 263 0150	Bush	1	(E)	●	●			
49	117.323	389 263 0950	Bush	1	(F)	●	●			
50	107.172	389 263 0130	Reverse shaft	1		●	●			
51		945 263 0041	Key	1		●	●			

All original equipment manufacturers' numbers, symbols, pictures and description used in this catalogue are for reference only, and it is not implied that any part listed is the product of these manufactures.
Tutti i nostri particolari non sono originali ma con essi intercambiabili. I riferimenti originali, le figure, i modelli sono esposti a semplice titolo indicativo. La nostra produzione riporta il nostro marchio.

Notes

Date



(A) Up to gearbox **300439** (B) From gearbox **300440**
 (C) Up to gearbox **176366** - See GP section (table 010B) for the coupling
 (D) From gearbox **176367** - See GP section (table 010B) for the coupling
 (E) Up to **06/96** (F) From **07/96**

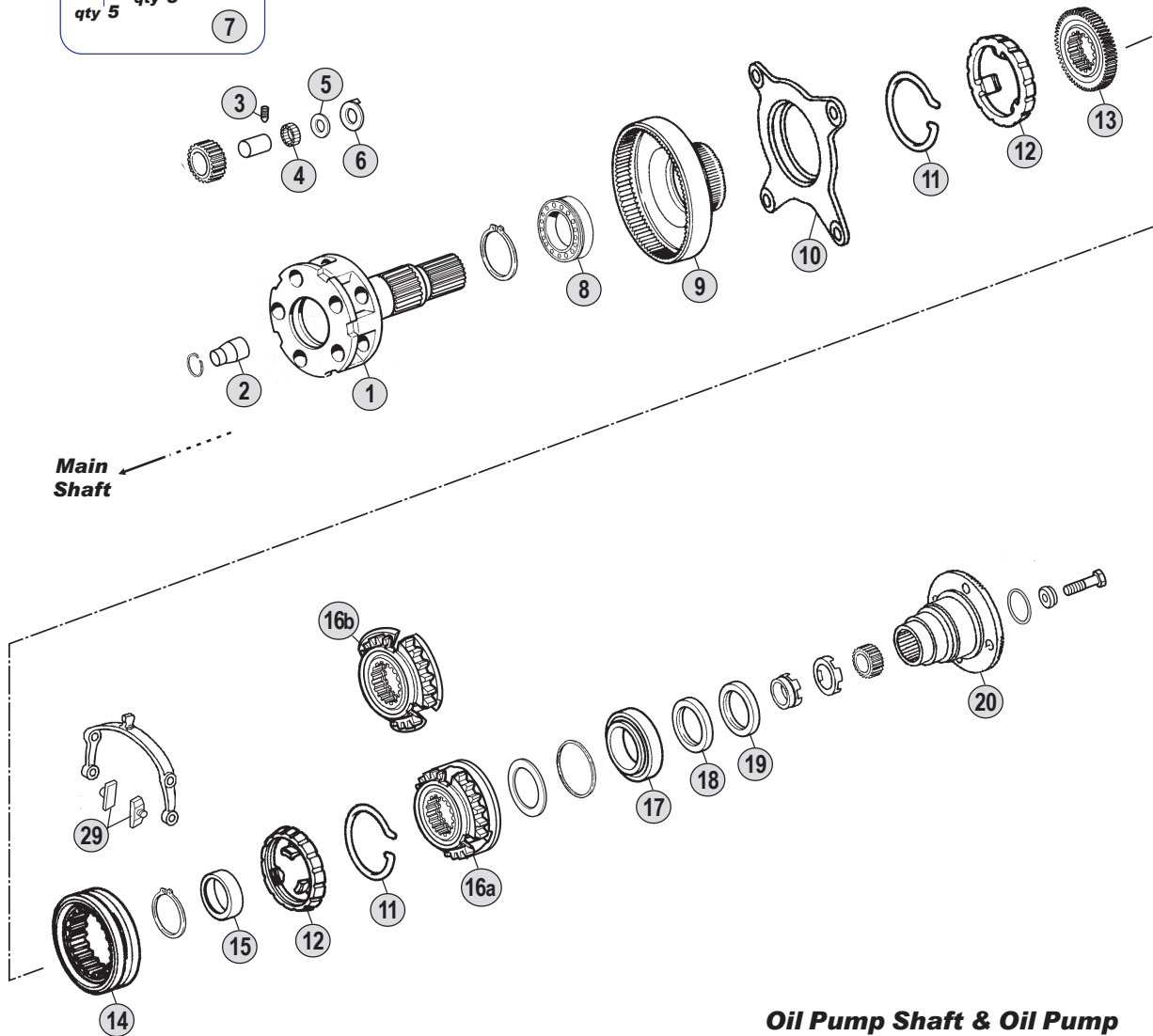
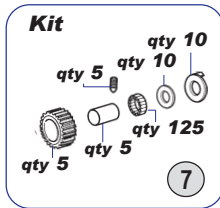
01 / 2004

Table

010 / A16 Speeds
G125-G135

Suitable To: MERCEDES

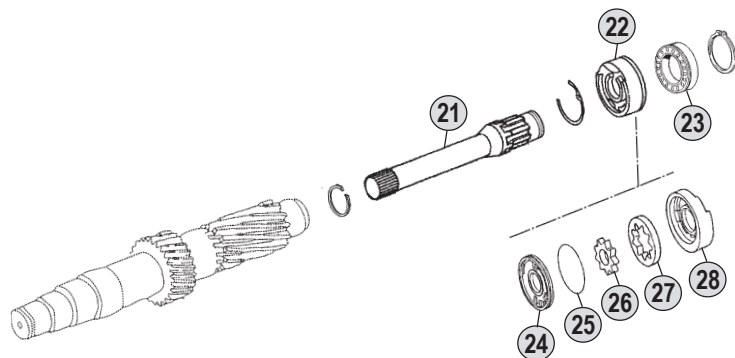
G125 - G135 (16 Speeds)



Main Shaft

Oil Pump Shaft & Oil Pump

CHASSIS
 625.XXX - 655.XXX - 656.XXX
 657.XXX - 658.XXX - 659.XXX
 (SK Range)



All original equipment manufacturers' numbers, symbols, pictures, models and description used in this catalogue are for reference only, and it is not implied that any part listed is the product of these manufactures. Tutti i nostri particolari non sono originali ma con essi intercambiabili. I riferimenti originali, le figure, i modelli sono esposti a semplice titolo indicativo. La nostra produzione riporta il nostro marchio.

Models

G125-16 / 14,0 - 1,00	714.720(EPS)-721-724-730(EPS)-731-732-733
G135-16 / 11,9 - 0,88	714.722(EPS)-723



Fig.	CEI no.	MB no.	Description	Q.ty	Note					
1		389 260 0761	Planetary carrier	1	Old Type (1)	●	●			
1	190.334	389 260 7861	Planetary carrier	1	New Type	●	●			
2		389 269 0334	Oil tube	1	Old Type	●	●			
2	188.180	389 269 0134	Oil tube	1	New Type	●	●			
3	187.609	000914 006109	Stud 6x14 mm	5		●	●			
4	171.055	001 981 3287	Needle	125		●	●			
5	169.801	389 262 0162	Thrust washer	10		●	●			
6	169.802	389 262 0262	Thrust washer	10		●	●			
7	198.880	389 260 0197	Repair kit	1	(C)	●	●			
7	198.881	389 260 0397	Repair kit	1	(D)	●	●			
8	130.540	008 981 1325	Bearing D.90x130x14	1		●	●			
9	123.227	389 262 0308	Crown gear	1		●	●			
10	198.882	389 260 0936	Synchronizer flange	1	(G)	●	●			
10	198.879	389 260 2036	Synchronizer flange	1	(H)	●	●			
11	111.206	389 262 0293	Ring	2		●	●			
12	119.160	389 262 0537	Synchronizer cone	2		●	●			
13	155.206	389 262 0535	Synchronizer hub	1	(G) Outer Teeth Z 72	●	●			
13	155.204	389 262 2035	Synchronizer hub	1	(H) Outer Teeth Z 73	●	●			
14	154.222	389 262 1523	Sliding sleeve	1	(G) Inner Teeth Z 72	●	●			
14	154.217	945 262 0823	Sliding sleeve	1	(H) Inner Teeth Z 73	●	●			
15	117.322	389 262 0251	Spacer	1		●	●			
16a	109.338	389 262 2334	Synchronizer flange	1	(G)	●	●			
16a	109.188	389 262 4034	Synchronizer flange	1	(H) W / Rear Housing 389 261 4603	●	●			
16b	109.334	389 262 9134	Synchronizer flange	1	(H) W / Rear Housing 389 261 5126	●	●			
17	130.539	004 981 9325	Bearing D.85x150x28	1		●	●			
18	139.551	013 997 7247	Oil seal	1		●	●			
19	139.552	013 997 7347	Oil seal	1		●	●			
20	197.079	389 262 0445	Output flange D.180 mm	1		●	●			
21	101.123	389 269 1210	Oil pump shaft	1		●	●			
22	280.587	389 260 0690	Oil pump	1	Old Type - Assembly	●	●			
23	130.538	004 981 9225	Bearing D.45x75x16	1		●	●			
24	189.607	945 269 0101	Oil pump cover	1	New Type - Disassembled	●	●			
25	111.208	029 997 5748	Ring	1	New Type - Disassembled	●	●			
26	189.606	389 269 1406	Oil pump gear	1	New Type - Disassembled	●	●			
27	189.605	389 269 0706	Oil pump hub	1	New Type - Disassembled	●	●			
28	189.604	389 269 3801	Oil pump housing	1	New Type - Disassembled	●	●			
29	141.162	389 265 2449	Slide	2		●	●			

Notes

- (C) Up to gearbox **176366** - See Sun Gear (table 010A) for the coupling
 (D) From gearbox **176367** - See Sun Gear (table 010A) for the coupling
 (G) Up to gearbox **201817** (H) From gearbox **201818**
 (1) Old Planetary carrier is replaced by : 1 pc 389 260 7861 (fig.1) +
 + 1 pc. 389 269 0134 (fig.2) + 1 pc.007993 040200 (retainer ring)

Date

01 / 2004

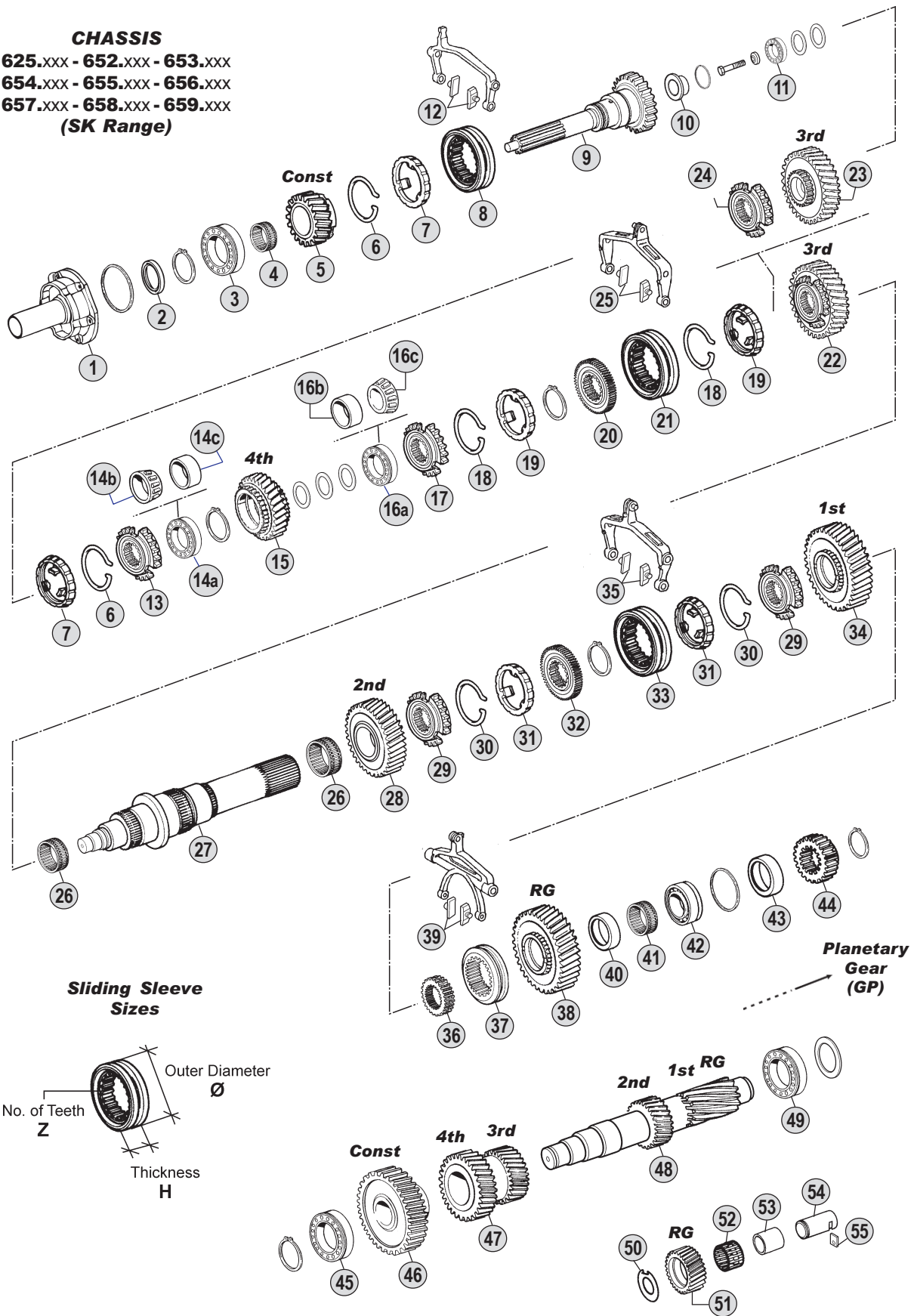
Table

010 / B

Suitable To: **MERCEDES**

G155 - G180 (16 Speeds)

CHASSIS
625.XXX - 652.XXX - 653.XXX
654.XXX - 655.XXX - 656.XXX
657.XXX - 658.XXX - 659.XXX
(SK Range)



Models

G155 - 16 / 11,9 - 0,88	714.704(EPS)-705-709-715-716-717-782-786-787-792(EPS)
G155 - 16 / 14,0 - 1,00	714.701(EPS)-702-708-710-711-712(EPS)-713(EPS)-714-719-785-790-791
G180 - 16 / 11,9 - 0,88	714.700(EPS)-703-780-781-789-794-795(EPS)-796-797-798-799
G180 - 16 / 14,0 - 1,00	714.706(EPS)-707



All original equipment manufacturers' numbers, symbols, pictures, models and description used in this catalogue are for reference only, and it is not implied that any part listed is the product of these manufactures. Tutti i nostri particolari non sono originali ma con essi intercambiabili. I riferimenti originali, le figure, i modelli sono esposti a semplice titolo indicativo. La nostra produzione riporta il nostro marchio.

G155-16/11/9-0,88
G155-16/14,0-1,0
G180-16/11/9-0,88
G180-16/14,0-1,0

All original equipment manufacturers' numbers, symbols, pictures, models and description used in this catalogue are for reference only, and it is not implied that any part listed is the product of these manufactures.
Tutti i nostri particolari non sono originali ma con essi intercambiabili. I riferimenti originali, le figure, i modelli sono esposti a semplice titolo indicativo. La nostra produzione riporta il nostro marchio.

Fig.	CEI no.	MB no.	Description	Q.ty	Note					
1	135.131	389 261 3318	Front Cover	1		●	●	●	●	
2	139.549	015 997 1647	Seal ring	1		●	●	●	●	
3	130.550	011 981 1305	Bearing	1		●	●	●	●	
4	137.186	008 981 9410	Needle cage	1		●	●	●	●	
5	145.608	389 262 2910	Constant gear 26 T	1	(ABC)	●		●		
5	145.558	389 262 7710	Constant gear 26 T	1	(DEF)	●		●		
5	145.607	389 262 2810	Constant gear 22 T	1	(ABC)		●		●	
5	145.579	389 262 2210	Constant gear 22 T	1	(DEF)		●		●	
6	111.204	387 262 1093	Spap ring	2		●	●	●	●	
7	119.112	389 262 0637	Synchronizer cone	2		●	●	●	●	
8	154.215	387 262 1523	Sliding sleeve	1	(A)	∅ 198 - H 33 - Z 60	●	●	●	●
8	154.214	389 262 3023	Sliding sleeve	1	(BCDEF)	∅ 198 - H 31 - Z 60	●	●	●	●
9		389 262 1201	Input shaft	1	(ABC)	Old - Repl. By 389 262 3701	●	●	●	●
9	102.270	389 262 3701	Input shaft	1	(ABC)		●	●	●	●
9	102.271	389 262 2901	Input shaft	1	(DEF)		●	●	●	●
10	139.554	018 997 7147	Ring	1			●	●	●	●
11	130.551	008 981 4005	Bearing D.40x90,1x32	1			●	●	●	●
12	141.162	389 265 2449	Slide	2			●	●	●	●
13	109.131	389 262 5634	Synchronizer flange	1			●	●	●	●
14a	130.557	011 981 7605	Bearing D.50x90x32	1		Old Type	●	●	●	●
14b	130.561	015 981 2005	Bearing	1		New Type	●	●	●	●
14c	130.555	002 981 1680	Ring D.90	1		New Type	●	●	●	●
15	145.613	389 262 1110	Gear 4th Speed 24 T	1	(A)		●	●	●	●
15	145.580	389 262 3710	Gear 4th Speed 24 T	1	(BC)		●	●	●	●
15	145.581	389 262 5510	Gear 4th Speed 24 T	1	(DE)		●	●	●	●
15	145.582	389 262 5610	Gear 4th Speed 24 T	1	(F)		●	●	●	●
16a	130.546	011 981 7705	Bearing D.50x90x24	1		Old Type	●	●	●	●
16b	130.548	002 981 1580	Bearing ring	1		New Type	●	●	●	●
16c	130.547	014 981 1605	Bearing	1		New Type	●	●	●	●
17	109.131	389 262 5634	Synchronizer flange	1	(ABCDE)		●	●	●	●
17	109.189	945 262 0534	Synchronizer flange	2	(F)		●	●	●	●
18	111.204	387 262 1093	Spap ring	2	(ABCDE)		●	●	●	●
18	111.205	387 262 0893	Spap ring	2	(F)		●	●	●	●
19	119.112	389 262 0637	Synchronizer cone	2	(ABCDE)		●	●	●	●
19	119.161	389 262 0737	Synchronizer cone	2	(F)		●	●	●	●
20	157.214	389 262 0635	Guide sleeve 3rd-4th Speed	2	(ABCDE)		●	●	●	●
20	157.215	389 262 1535	Hub 3rd-4th Speed	2	(F)		●	●	●	●
21	154.215	387 262 1523	Sliding sleeve	1	(A)	∅ 198 - H 33 - Z 60	●	●	●	●
21	154.214	389 262 3023	Sliding sleeve	1	(BCDE)	∅ 198 - H 31 - Z 60	●	●	●	●
21	154.213	389 262 2923	Sliding sleeve	1	(F)	∅ 218 - H 31 - Z 66	●	●	●	●
22	145.612	389 262 0313	Gear 3rd Speed 28 D	1	(A)		●	●	●	●
22	196.271	389 262 1413	Gear 3rd Speed 28 T	1	(BCDE)		●	●	●	●
23	145.583	389 262 2113	Gear 3rd Speed 28 T	1	(F)		●	●	●	●
24	109.189	945 262 0534	Synchronizer flange	1	(F)		●	●	●	●
25	141.161	389 265 2349	Slide	2			●	●	●	●

Notes

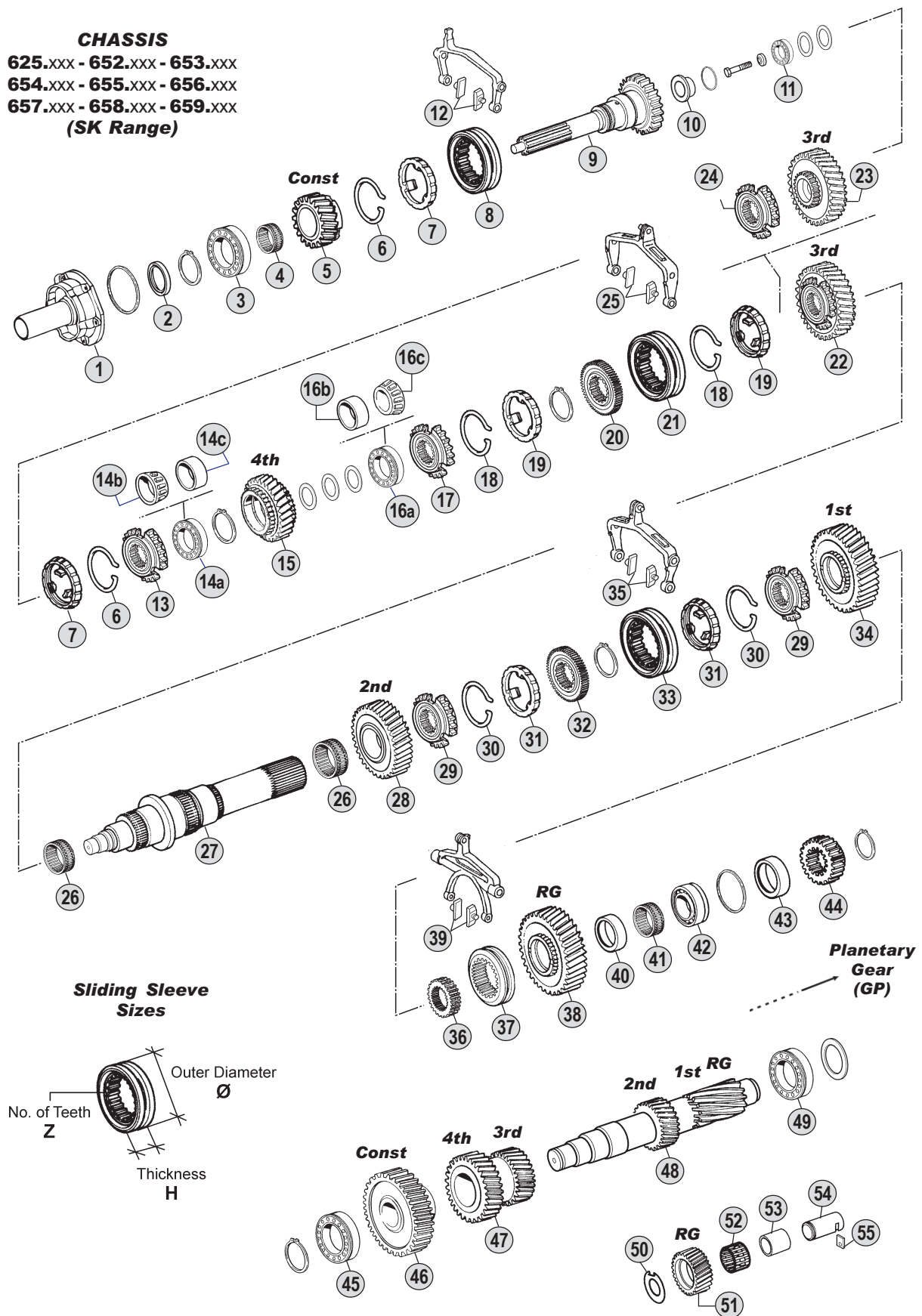
(A) Up to gearbox **058288** (B) From gearbox **058289** (C) Up to gearbox **182425**
 (D) From gearbox **182426** (E) Up to gearbox **297456** (F) From gearbox **297457**
 (G) Up to gearbox **182425** - See GP section (table 011B) for the coupling
 (H) From gearbox **182426** - See GP section (table 011B) for the coupling
 (L) Up to **06/96** (M) From **07/96**

Date

01 / 2004

Table

011 / A

Suitable To: **MERCEDES****G155 - G180 (16 Speeds)****CHASSIS****625.XXX - 652.XXX - 653.XXX****654.XXX - 655.XXX - 656.XXX****657.XXX - 658.XXX - 659.XXX****(SK Range)**

All original equipment manufacturers' numbers, symbols, pictures, models and description used in this catalogue are for reference only, and it is not implied that any part listed is the product of these manufactures.
 Tutti i nostri particolari non sono originali ma con essi intercambiabili. I riferimenti originali, le figure, i modelli sono esposti a semplice titolo indicativo. La nostra produzione riporta il nostro marchio.

Models**G155 - 16 / 11,9 - 0,88**

714.704(EPS)-705-709-715-716-717-782-786-787-792(EPS)

G155 - 16 / 14,0 - 1,00

714.701(EPS)-702-708-710-711-712(EPS)-713(EPS)-714-719-785-790-791

G180 - 16 / 11,9 - 0,88

714.700(EPS)-703-780-781-789-794-795(EPS)-796-797-798-799

G180 - 16 / 14,0 - 1,00

714.706(EPS)-707

G155-16/11,9-0,88
G155-16/14,0-1,0
G180-16/11,9-0,88
G180-16/14,0-1,0

Fig.	CEI no.	MB no.	Description	Q.ty	Note					
26	137.177	018 981 6610	Needle cage	2		●	●	●	●	
27	103.148	389 262 1505	Main shaft	1		●	●	●	●	
28	145.611	389 262 0312	Gear 2nd Speed 32 T	1	(A)	●	●	●	●	
28	145.610	389 262 1312	Gear 2nd Speed 32 T	1	(BCDEF)	●	●	●	●	
29	109.187	945 262 0434	Synchronizer flange	2		●	●	●	●	
30	111.205	387 262 0893	Spap ring	2		●	●	●	●	
31	119.161	389 262 0737	Synchronizer cone	2		●	●	●	●	
32	157.213	389 262 0035	Hub 1st-2nd Speed	1		●	●	●	●	
33	154.216	387 262 0623	Sliding sleeve	1	(A) Ø 218 - H 33 - Z 66	●	●	●	●	
33	154.213	389 262 2923	Sliding sleeve	1	(BCDEF) Ø 218 - H 31 - Z 66	●	●	●	●	
34	145.609	389 262 0411	Gear 1st Speed 38 T	1	(A)	●	●	●	●	
34	145.606	389 262 1611	Gear 1st Speed 38 T	1	(BCDEF)	●	●	●	●	
35	141.161	389 265 2349	Slide	2		●	●	●	●	
36	157.603	389 262 0135	Hub	1		●	●	●	●	
37	154.224	389 262 1723	Sliding sleeve	1	Excl. 714.701-704-712-713-792	●	●			
37	154.223	389 262 1823	Sliding sleeve	1	Only 714.701-704-712-713-792	●	●			
37	154.224	389 262 1723	Sliding sleeve	1	Excl. 704.700-706-795			●		
37	154.223	389 262 1823	Sliding sleeve	1	Only 704.700-706-795			●		
38	147.159	389 262 0333	Reverse gear 34 T	1	Excl. 714.701-704-712-713-792	●	●			
38	147.160	389 262 1033	Reverse gear 34 T	1	Only 714.701-704-712-713-792	●	●			
38	147.159	389 262 0333	Reverse gear 34 T	1	Excl. 704.700-706-795			●	●	
38	147.160	389 262 1033	Reverse gear 34 T	1	Only 704.700-706-795			●	●	
39	141.160	945 265 0149	Slide	2		●	●	●	●	
40	117.327	389 262 1650	Bush	1		●	●	●	●	
41	137.187	009 981 1510	Needle cage	1		●	●	●	●	
42	130.552	012 981 9305	Bearing D.60x130x30	1		●	●	●	●	
43	117.326	389 262 0152	Spacer S.20,30 mm	1	(G)	●	●	●	●	
43	117.325	389 262 3754	Spacer S.18,00 mm	1	(H)	●	●	●	●	
44	157.600	389 262 0409	Sun gear 25 T	1	(G)	●	●	●	●	
44	157.212	389 262 0209	Sun gear 25 T	1	(H)	●	●	●	●	
45	130.554	014 981 1405	Bearing	1		●	●	●	●	
46	146.502	389 263 0410	Constant gear 23 T	1	(ABC)	●		●		
46	146.478	389 263 1110	Constant gear 23 T	1	(DEF)	●		●		
46	146.503	389 263 0910	Constant gear 27 T	1	(ABC)		●		●	
46	146.477	389 263 1210	Constant gear 27 T	1	(DEF)		●		●	
47	143.107	389 263 0313	Double gear 4th-3rd Sp. 25-21 T	1	(A)	●	●	●	●	
47	143.099	389 263 1013	Double gear 4th-3rd Sp. 25-21 T	1	(BC)	●	●	●	●	
47	143.100	389 263 1413	Double gear 4th-3rd Sp. 25-21 T	1	(DEF)	●	●	●	●	
48	105.130	389 263 0302	Countershaft 17/14 T	1	(A)	●	●	●	●	
48	105.131	389 263 0802	Countershaft 17/14 T	1	(BCDEF)	●	●	●	●	
49	130.553	012 981 9205	Bearing	1		●	●	●	●	
50		389 263 0062	Washer	1	(L)	●	●	●	●	
51		389 263 0331	Reverse gear 18 T	1	(L)	●	●	●	●	
51	147.158	389 263 1531	Reverse gear 18 T	1	(M)	●	●	●	●	
52	137.181	012 981 8910	Needle cage	1		●	●	●	●	

Notes

(A) Up to gearbox **058288** (B) From gearbox **058289** (C) Up to gearbox **182425**
 (D) From gearbox **182426** (E) Up to gearbox **297456** (F) From gearbox **297457**
 (G) Up to gearbox **182425** - See GP section (table 011B) for the coupling
 (H) From gearbox **182426** - See GP section (table 011B) for the coupling
 (L) Up to **06/96** (M) From **07/96**

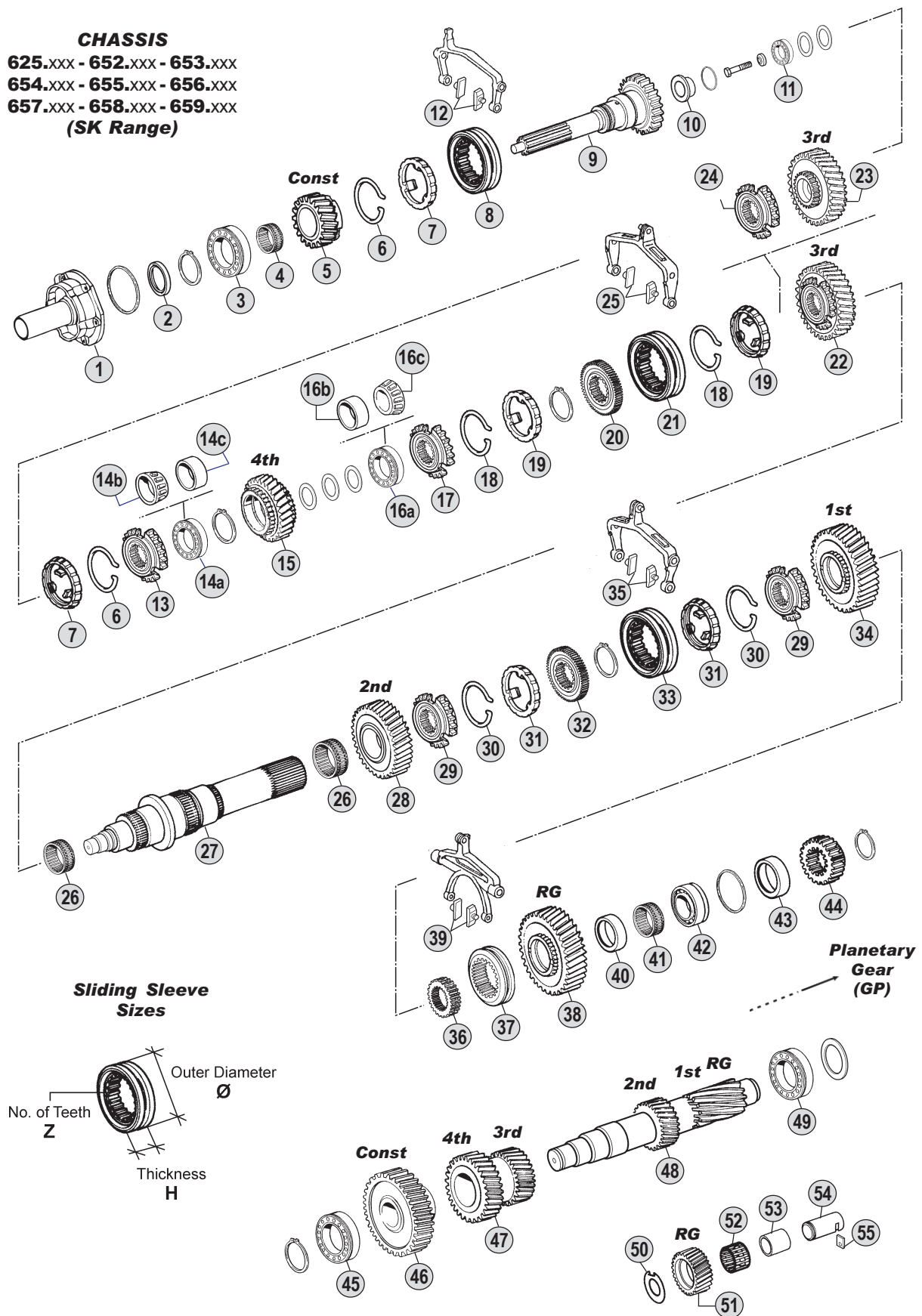
Date

01 / 2004

Table

011 / A

All original equipment manufacturers' numbers, symbols, pictures and description used in this catalogue are for reference only, and it is not implied that any part listed is the product of these manufactures.
 Tutti i nostri particolari non sono originali ma con essi intercambiabili. I riferimenti originali, le figure, i modelli sono esposti a semplice titolo indicativo. La nostra produzione riporta il nostro marchio.

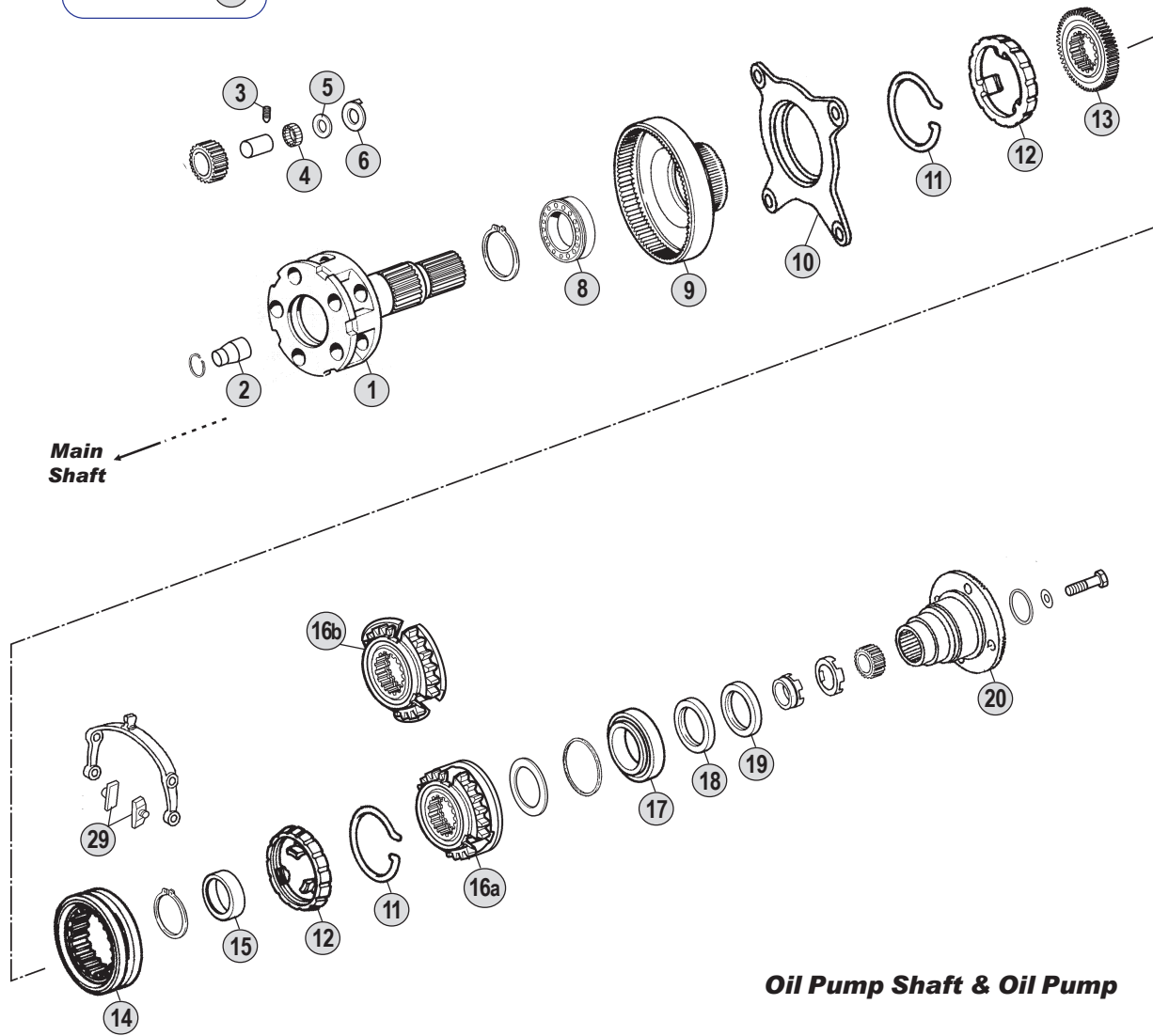
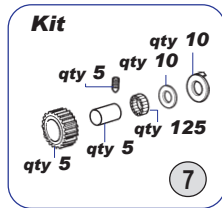
Suitable To: **MERCEDES****G155 - G180 (16 Speeds)****CHASSIS****625.XXX - 652.XXX - 653.XXX****654.XXX - 655.XXX - 656.XXX****657.XXX - 658.XXX - 659.XXX****(SK Range)**

All original equipment manufacturers' numbers, symbols, pictures, models and description used in this catalogue are for reference only, and it is not implied that any part listed is the product of these manufactures.
 Tutti i nostri particolari non sono originali ma con essi intercambiabili. I riferimenti originali, le figure, i modelli sono esposti a semplice titolo indicativo. La nostra produzione riporta il nostro marchio.

Models**G155 - 16 / 11,9 - 0,88** 714.704(EPS)-705-709-715-716-717-782-786-787-792(EPS)**G155 - 16 / 14,0 - 1,00** 714.701(EPS)-702-708-710-711-712(EPS)-713(EPS)-714-719-785-790-791**G180 - 16 / 11,9 - 0,88** 714.700(EPS)-703-780-781-789-794-795(EPS)-796-797-798-799**G180 - 16 / 14,0 - 1,00** 714.706(EPS)-707

Suitable To: **MERCEDES**

Gearbox Models
G155 - G180 (16 Speeds)



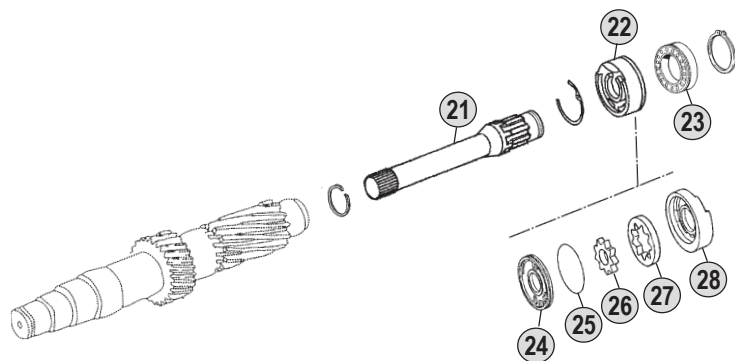
CHASSIS

625.XXX - 652.XXX - 653.XXX

654.XXX - 655.XXX - 656.XXX

657.XXX - 658.XXX - 659.XXX

(SK Range)



All original equipment manufacturers' numbers, symbols, pictures, models and description used in this catalogue are for reference only, and it is not implied that any part listed is the product of these manufactures.
Tutti i nostri particolari non sono originali ma con essi intercambiabili. I riferimenti originali, le figure, i modelli sono esposti a semplice titolo indicativo. La nostra produzione riporta il nostro marchio.

Models

G155 - 16 / 11,9 - 0,88 714.704(EPS)-705-709-715-716-717-782-786-787-792(EPS)

G155 - 16 / 14,0 - 1,00 714.701(EPS)-702-708-710-711-712(EPS)-713(EPS)-714-719-785-790-791

G180 - 16 / 11,9 - 0,88 714.700(EPS)-703-780-781-789-794-795(EPS)-796-797-798-799

G180 - 16 / 14,0 - 1,00 714.706(EPS)-707

G155-16/11-9-0,88
G155-16/14-0-1,0
G180-16/11-9-0,88
G180-16/14-0-1,0

All original equipment manufacturers numbers, symbols, pictures, models and description used in this catalogue are for reference only, and it is not implied that any part listed is the product of these manufactures.
Tutti i nostri particolari non sono originali ma con essi intercambiabili. I riferimenti originali, le figure, i modelli sono esposti a semplice titolo indicativo. La nostra produzione riporta il nostro marchio.

Fig.	CEI no.	MB no.	Description	Q.ty	Note					
1	190.336	389 260 0661	Planetary carrier	1	(G)	●	●	●	●	
1	190.335	389 260 8961	Planetary carrier	1	(H)	●	●	●	●	
2	188.180	389 269 0134	Oil tube	1		●	●	●	●	
3	187.609	000914 006109	Stud 6x14 mm	5		●	●	●	●	
4	171.056	001 981 2887	Needle	125	(G)	●	●	●	●	
4	171.057	000 981 4186	Needle	125	(H)	●	●	●	●	
5	169.801	389 262 0162	Thrust washer	10		●	●	●	●	
6	169.802	389 262 0262	Thrust washer	10		●	●	●	●	
7	198.884	389 260 0297	Repair kit	1	(G)	●	●	●	●	
7	198.883	389 260 0497	Repair kit	1	(H)	●	●	●	●	
8	130.540	008 981 1325	Bearing D.90x130x14	1		●	●	●	●	
9	123.228	389 262 0208	Crown gear 80 T	1		●	●	●	●	
10	198.882	389 260 0936	Synchronizer flange	1	(P)	●	●	●	●	
10	198.879	389 260 2036	Synchronizer flange	1	(Q)	●	●	●	●	
11	111.206	389 262 0293	Ring	2		●	●	●	●	
12	119.160	389 262 0537	Synchronizer cone	2		●	●	●	●	
13	155.206	389 262 0535	Synchronizer hub	1	(P) Outer Teeth Z 72	●	●	●	●	
13	155.204	389 262 2035	Synchronizer hub	1	(Q) Outer Teeth Z 73	●	●	●	●	
14	154.222	389 262 1523	Sliding sleeve	1	(P) Inner Teeth Z 72	●	●	●	●	
14	154.217	945 262 0823	Sliding sleeve	1	(Q) Inner Teeth Z 73	●	●	●	●	
15	117.322	389 262 0251	Spacer	1		●	●	●	●	
16a	109.338	389 262 2334	Synchronizer flange	1	(P)	●	●	●	●	
16a	109.188	389 262 4034	Synchronizer flange	1	(Q) W / Rear Housing 389 261 4603	●	●	●	●	
16b	109.334	389 262 9134	Synchronizer flange	1	(Q) W / Rear Housing 389 261 5126	●	●	●	●	
17	130.539	004 981 9325	Bearing D.85x150x28	1		●	●	●	●	
18	139.551	013 997 7247	Oil seal	1		●	●	●	●	
19	139.552	013 997 7347	Oil seal	1		●	●	●	●	
20	197.079	389 262 0445	Output flange D.180 mm	1		●	●	●	●	
21	101.123	389 269 1210	Oil pump shaft	1		●	●	●	●	
22	280.587	389 260 0690	Oil pump	1	Old Type - Assembly	●	●	●	●	
23	130.538	004 981 9225	Bearing D.45x75x16	1		●	●	●	●	
24	189.607	945 269 0101	Oil pump cover	1	New Type - Disassembled	●	●	●	●	
25	111.208	029 997 5748	Ring	1	New Type - Disassembled	●	●	●	●	
26	189.606	389 269 1406	Oil pump gear	1	New Type - Disassembled	●	●	●	●	
27	189.605	389 269 0706	Oil pump hub	1	New Type - Disassembled	●	●	●	●	
28	189.604	389 269 3801	Oil pump housing	1	New Type - Disassembled	●	●	●	●	
29	141.162	389 265 2449	Slide	2		●	●	●	●	

Notes

(G) Up to gearbox **182425** - See Sun gear (table 011A) for the coupling
(H) From gearbox **182426** - See Sun gear (table 011A) for the coupling
(P) Up to gearbox **201817**
(Q) From gearbox **201818**

Date

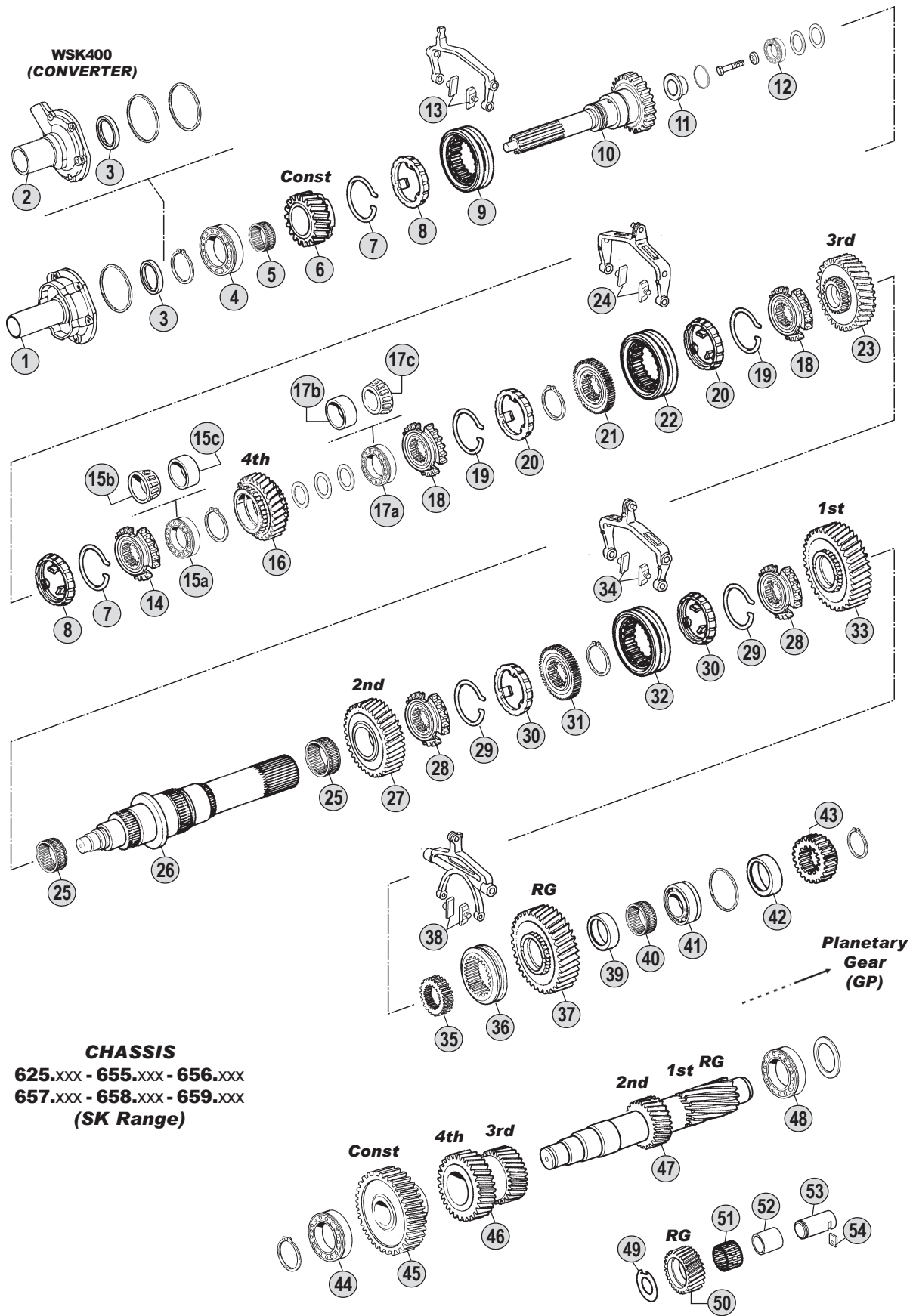
01 / 2004

Table

011 / B

Suitable To: **MERCEDES**

Gearbox Models **G200 (16 Speeds)**



CHASSIS
 625.XXX - 655.XXX - 656.XXX
 657.XXX - 658.XXX - 659.XXX
 (SK Range)

Models

G200 - 16 / 11,9 - 0,88 715.200(EPS)-201-202-220-221-222-225-226-230-232-233



All original equipment manufacturers' numbers, symbols, pictures, models and description used in this catalogue are for reference only, and it is not implied that any part listed is the product of these manufactures. Tutti i nostri particolari non sono originali ma con essi intercambiabili. I riferimenti originali, le figure, i modelli sono esposti a semplice titolo indicativo. La nostra produzione riporta il nostro marchio.

Fig.	CEI no.	MB no.	Description	Q.ty	Note					
1	135.131	389 261 3318	Front Cover	1		●				
2		389 261 3718	Front Cover	1	WSK400-Up to Gearbox 346269	●				
2		389 262 4918	Front Cover	1	WSK400-From Gearbox 346270	●				
3	139.549	015 997 1647	Seal ring	1		●				
4	130.550	011 981 1305	Bearing	1		●				
5	137.186	008 981 9410	Needle cage	1		●				
6	145.558	389 262 7710	Constant gear 26 T	1		●				
7	111.204	387 262 1093	Spap ring	2		●				
8	119.112	389 262 0637	Synchronizer cone	2		●				
9	154.214	389 262 3023	Sliding sleeve	1		●				
10	102.271	389 262 2901	Input shaft	1		●				
10	102.272	389 262 3101	Input shaft	1	With WSK400 (Converter)	●				
11	139.554	018 997 7147	Ring	1		●				
12	130.551	008 981 4005	Bearing D.40x90,9x32	1		●				
13	141.162	389 265 2449	Slide	2		●				
14	109.131	389 262 5634	Synchronizer flange	1		●				
15a	130.557	011 981 7605	Bearing D.50x90x32	1	Old Type	●				
15b	130.561	015 981 2005	Bearing	1	New Type	●				
15c	130.555	002 981 1680	Ring D.90	1	New Type	●				
16	145.582	389 262 5610	Gear 4th Speed 24 T	1		●				
17a	130.546	011 981 7705	Bearing D.50x90x24	1	Old Type	●				
17b	130.548	002 981 1580	Bearing ring	1	New Type	●				
17c	130.547	014 981 1605	Bearing	1	New Type	●				
18	109.189	945 262 0534	Synchronizer flange	2		●				
19	111.205	387 262 0893	Spap ring	2		●				
20	119.161	389 262 0737	Synchronizer cone	2		●				
21	157.215	389 262 1535	Hub 3rd-4th Speed	1		●				
22	154.213	389 262 2923	Sliding sleeve	1		●				
23	145.583	389 262 2113	Gear 3rd Speed 28 T	1		●				
24	141.161	389 265 2349	Slide	1		●				
25	137.177	018 981 6610	Needle cage	2		●				
26	103.148	389 262 1505	Main shaft	1		●				
27	145.610	389 262 1312	Gear 2nd Speed 32 T	1		●				
28	109.187	945 262 0434	Synchronizer flange	2		●				
29	111.205	387 262 0893	Spap ring	2		●				
30	119.161	389 262 0737	Synchronizer cone	2		●				
31	157.213	389 262 0035	Hub 1st-2nd Speed	1		●				
32	154.213	389 262 2923	Sliding sleeve	1		●				
33	145.606	389 262 1611	Gear 1st Speed 38 T	1		●				
34	141.161	389 265 2349	Slide	2		●				
35	157.603	389 262 0135	Hub	1		●				
36	154.224	389 262 1723	Sliding sleeve	1	Excl. 715.200	●				
36	154.223	389 262 1823	Sliding sleeve	1	Only 715.200	●				
37	147.159	389 262 0333	Reverse gear 34 T	1	Excl. 715.200	●				
37	147.160	389 262 1033	Reverse gear 34 T	1	Only 715.200	●				

Notes

(A) Up to 06/96
(B) From 07/96

Date

01 / 2004

Table

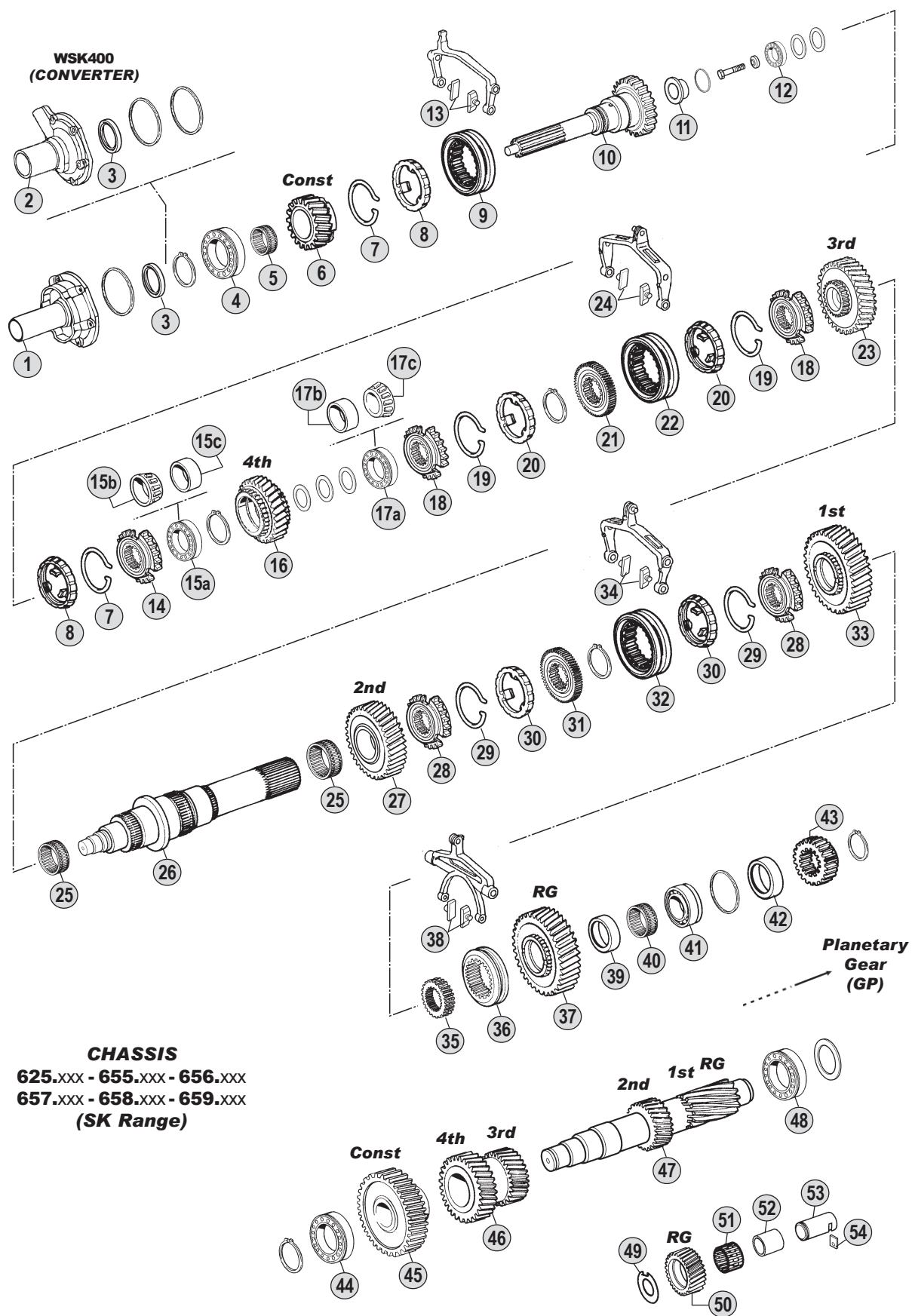
012 / A

All original equipment manufacturers' numbers, symbols, pictures and description used in this catalogue are for reference only, and it is not implied that any part listed is the product of these manufactures.
Tutti i nostri particolari non sono originali ma con essi intercambiabili. I riferimenti originali, i riferimenti originali, le figure, i modelli sono esposti a semplice titolo indicativo. La nostra produzione riporta il nostro marchio.

Suitable To: **MERCEDES**

Gearbox Models

G200 (16 Speeds)



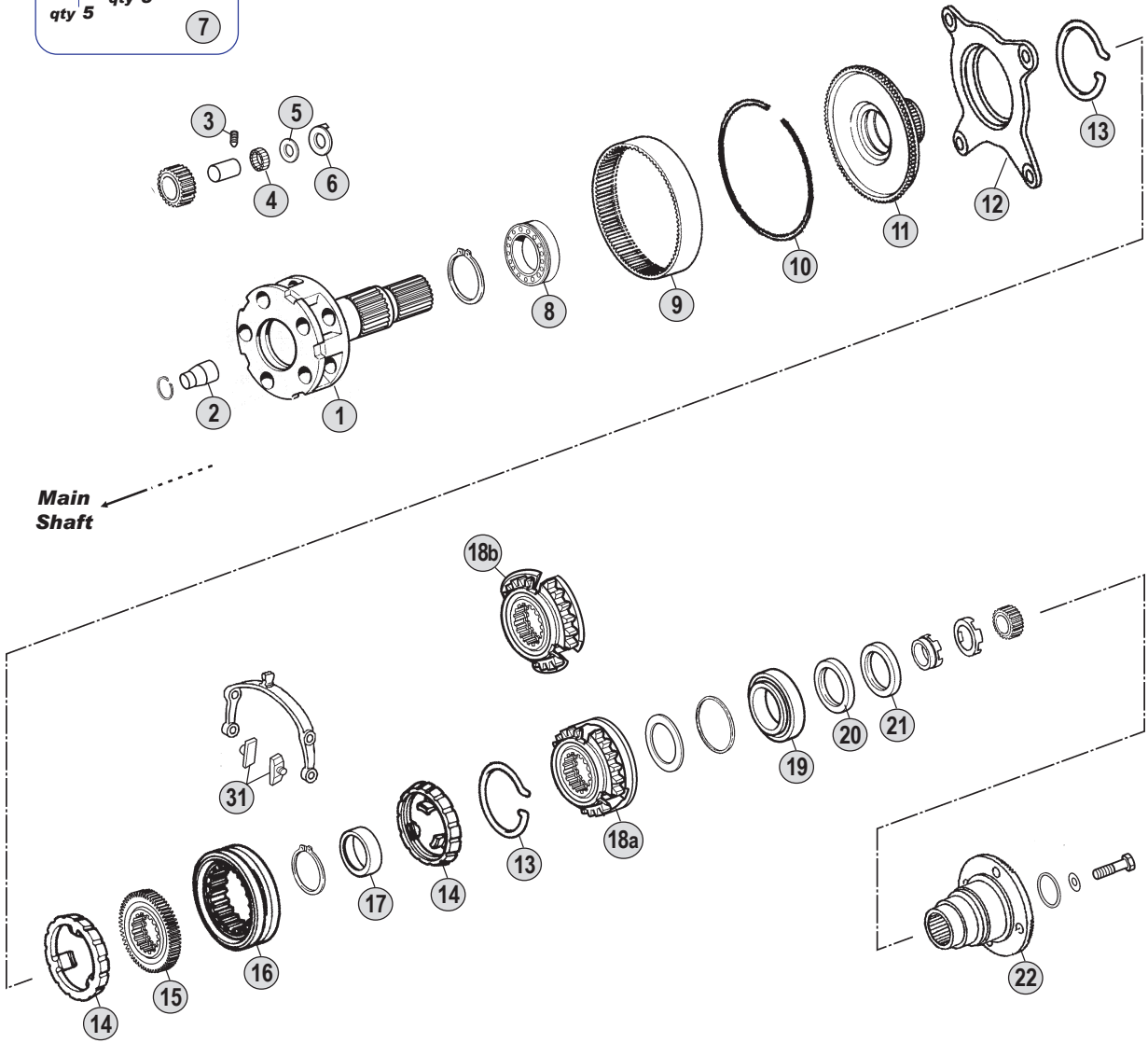
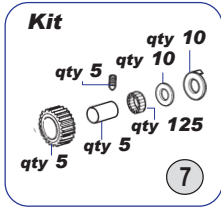
All original equipment manufacturers' numbers, symbols, pictures, models and description used in this catalogue are for reference only, and it is not implied that any part listed is the product of these manufactures. Tutti i nostri particolari non sono originali ma con essi intercambiabili. I riferimenti originali, le figure, i modelli sono esposti a semplice titolo indicativo. La nostra produzione riporta il nostro marchio.

Models

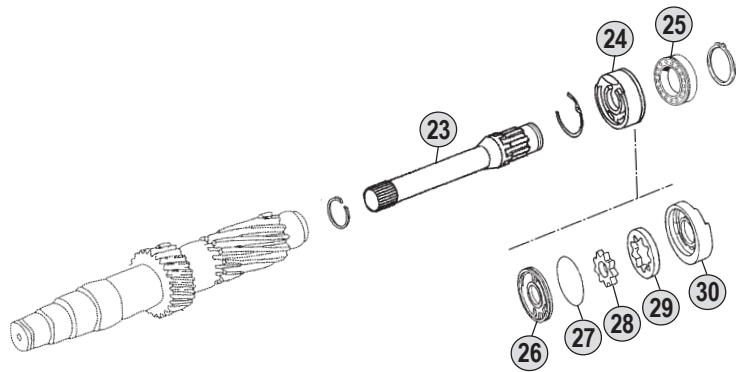
G200 - 16 / 11,9 - 0,88

715.200(EPS)-201-202-220-221-222-225-226-230-232-233

CEI
 HIGH FIDELITY SPARE PARTS



Oil Pump Shaft & Oil Pump



CHASSIS
625.XXX - 655.XXX - 656.XXX
657.XXX - 658.XXX - 659.XXX
(SK Range)

Models

G200 - 16 / 11,9 - 0,88 715.200(EPS)-201-202-220-221-222-225-226-230-232-233

All original equipment manufacturers' numbers, symbols, pictures, models and description used in this catalogue are for reference only, and it is not implied that any part listed is the product of these manufactures. Tutti i nostri particolari non sono originali ma con essi intercambiabili. I riferimenti originali, le figure, i modelli sono esposti a semplice titolo indicativo. La nostra produzione riporta il nostro marchio.

Fig.	CEI no.	MB no.	Description	Q.ty	Note					
1	190.335	389 260 8961	Planetary carrier	1		●				
2	188.180	389 269 0134	Oil tube	1		●				
3	187.609	000914 006109	Stud 6x14 mm	5		●				
4	171.057	000 981 4186	Needle	125		●				
5	169.801	389 262 0162	Thrust washer	10		●				
6	169.802	389 262 0262	Thrust washer	10		●				
7	198.883	389 260 0497	Repair kit	1		●				
8	130.540	008 981 1325	Bearing D.90x130x14	1		●				
9	123.229	389 262 0408	Crown gear	1		●				
10	111.209	389 262 0773	Ring	1		●				
11	150.143	389 262 0525	Flange	1		●				
12	198.879	389 260 2036	Synchronizer flange	1		●				
13	111.206	389 262 0293	Ring	2		●				
14	119.160	389 262 0537	Synchronizer cone	2		●				
15	155.204	389 262 2035	Synchronizer hub	1		●				
16	154.217	945 262 0823	Sliding sleeve	1		●				
17	117.322	389 262 0251	Spacer	1		●				
18a	109.188	389 262 4034	Synchronizer flange	1	W / Rear Housing 389 261 4603	●				
18b	109.334	389 262 9134	Synchronizer flange	1	W / Rear Housing 389 261 5126	●				
19	130.539	004 981 9325	Bearing D.85x150x28	1		●				
20	139.551	013 997 7247	Oil seal	1		●				
21	139.552	013 997 7347	Oil seal	1		●				
22	197.079	389 262 0445	Output flange D.180 mm	1	Excl. 715.221-230-232-233	●				
22	197.082	389 262 0645	Output flange D.200 mm	1	Only 715.221-230-232-233	●				
23	101.123	389 269 1210	Oil pump shaft	1		●				
24	280.587	389 260 0690	Oil pump	1	Old Type - Assembly	●				
25	130.538	004 981 9225	Bearing D.45x75x16	1		●				
26	189.607	945 269 0101	Oil pump cover	1	New Type - Disassembled	●				
27	111.208	029 997 5748	Ring	1	New Type - Disassembled	●				
28	189.606	389 269 1406	Oil pump gear	1	New Type - Disassembled	●				
29	189.605	389 269 0706	Oil pump hub	1	New Type - Disassembled	●				
30	189.604	389 269 3801	Oil pump housing	1	New Type - Disassembled	●				
31	141.162	389 265 2449	Slide	2		●				

Notes

Date

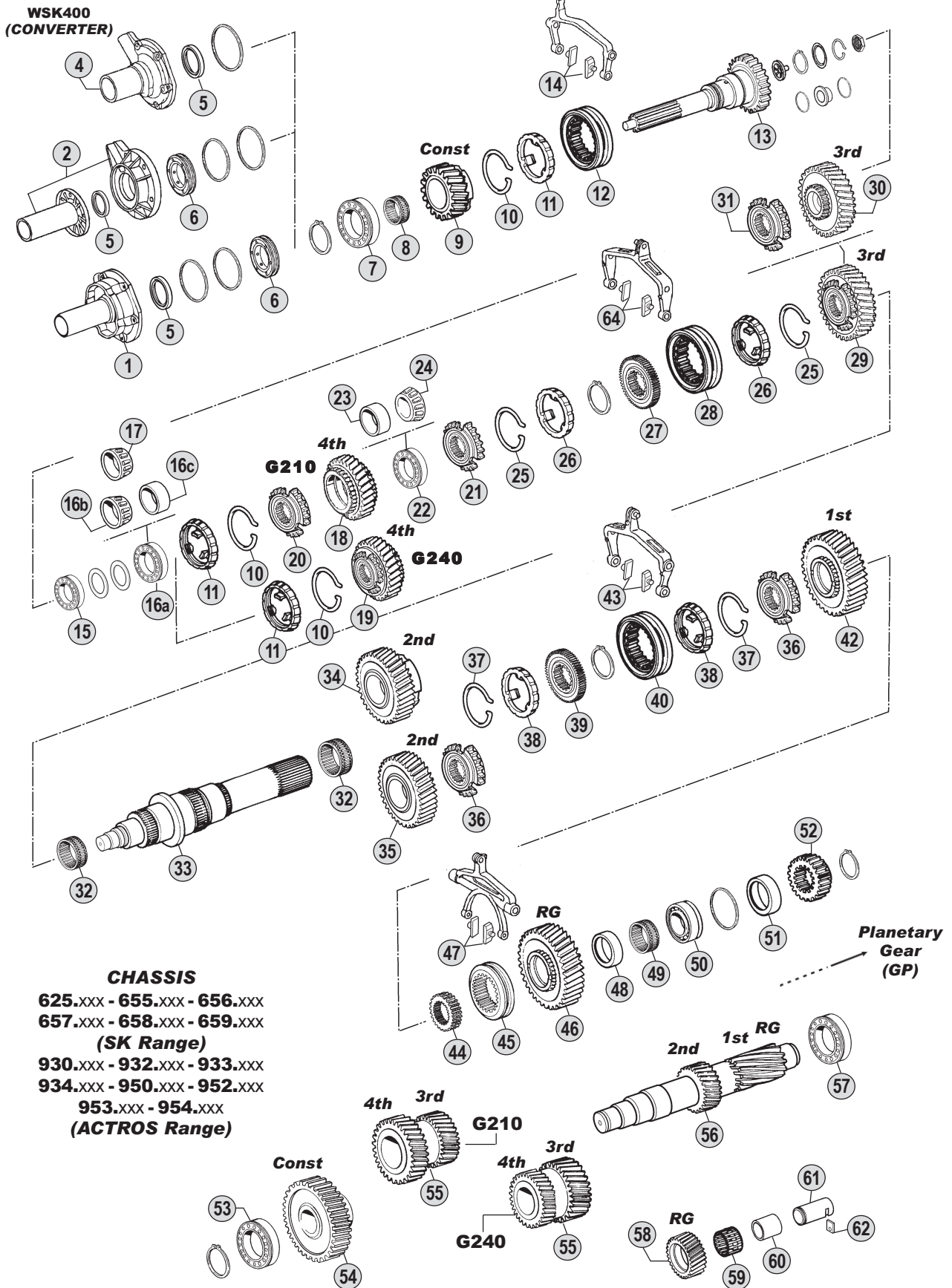
01 / 2004

Table

012 / B

Suitable To: **MERCEDES**

G210 - G240 (16 Speeds)



Models

G210 - 16 / 14,2 - 0,83	715.240(EPS)-241-242-252-253-500-501-504
G240 - 16 / 11,7 - 0,69	715.260(EPS)-261-400-410-411-520-521

All original equipment manufacturers' numbers, symbols, pictures, models and description used in this catalogue are for reference only, and it is not implied that any part listed is the product of these manufactures. Tutti i nostri particolari non sono originali ma con essi intercambiabili. I riferimenti originali, le figure, i modelli sono esposti a semplice titolo indicativo. La nostra produzione riporta il nostro marchio.

G210-16/142-0.83
G240-16/117-0.69

Fig.	CEI no.	MB no.	Description	Q.ty	Note						
1	135.135	389 261 4518	Front cover	1		●	●				
2	135.134	945 261 1118	Front cover	1	Latest Models	●	●				
4	135.133	945 261 1218	Front cover	1	With WSK400 - Up to 6/99		●				
4	135.132	945 261 2818	Front cover	1	With WSK400 - From 6/99		●				
5	139.556	019 997 0547	Oil seal	1		●	●				
6	139.555	389 261 0665	Ring	1		●	●				
7	130.550	011 981 1305	Bearing	1		●	●				
8	137.188	016 981 0010	Needle cage	1		●	●				
9	145.584	945 262 1610	Constant gear 32 T	1		●	●				
10	111.204	387 262 1093	Spap ring	2		●	●				
11	119.112	389 262 0637	Synchronizer cone	2		●	●				
12	154.221	945 262 0323	Sliding sleeve	1		●	●				
13	102.276	389 262 6501	Input shaft	1	715.240-241-242-252-253	●					
13	102.275	389 262 8201	Input shaft	1	715.500-501-504	●					
13	102.277	945 262 2401	Input shaft	1	With NMV / 715.500-501-504	●					
13	102.284	389 262 6601	Input shaft	1	715.260-261		●				
13	102.274	389 262 8301	Input shaft	1	715.520-521		●				
13	102.283	389 262 5601	Input shaft	1	With WSK400 / 714.400-410-411		●				
13	102.273	945 262 4403	Input shaft	1	With WSK400 / 714.520-521		●				
14	141.165	389 265 2749	Slide	2		●	●				
15	130.558	015 981 1605	Bearing	1		●	●				
16a	130.557	011 981 7605	Bearing D.50x90x32	1	Old Type	●					
16b	130.561	015 981 2005	Bearing	1	New - To Gear 389 260 8908	●					
16c	130.555	002 981 1680	Ring D.90	1	New - To Gear 389 260 8908	●					
17	130.562	011 981 6005	Bearing	1	To Gear 389 262 8610	●					
17	130.561	015 981 2005	Bearing	1	To Gear 945 262 0510	●					
17	130.560	015 981 6105	Bearing	1			●				
18		389 260 8908	Gear 4th Speed 29 T	1	(A) 1st execution (*)	●					
18	145.585	389 262 8610	Gear 4th Speed 29 T	1	(A)	●					
18	145.586	945 262 0510	Gear 4th Speed 29 T	1	(B)	●					
19	145.587	389 262 3810	Gear 4th Speed 36 T	1	(C) (**)		●				
19	145.588	389 262 7910	Gear 4th Speed 36 T	1	(D)		●				
20	109.329	389 262 5334	Synchronizer cone	1	(A)	●					
20	109.335	945 262 0334	Synchronizer cone	1	(B)	●					
21	109.329	389 262 5334	Synchronizer cone	1	(A)	●					
21	109.189	945 262 0534	Synchronizer flange	1	(BD)	●	●				
22	130.546	011 981 7705	Bearing D.50x90x24	1	Old Type	●					
23	130.548	002 981 1580	Bearing ring	1	New-Only with 389 260 8908	●					
24	130.547	014 981 1605	Bearing	1	New Type	●					
24	130.559	015 981 6205	Bearing	1			●				
25	111.204	387 262 1093	Spap ring	2	(AC)	●	●				
25	111.205	387 262 0893	Spap ring	2	(BD)	●	●				
26	119.112	389 262 0637	Synchronizer cone	2	(AC)	●	●				
26	119.161	389 262 0737	Synchronizer cone	2	(BD)	●	●				
27	157.555	389 262 2835	Synchronizer hub	1	(AC)	●	●				

Notes

- (A) Up to gearbox 438701 (B) From gearbox 438702
 (C) Up to 433517 (D) From 433518
 (E) Up to gearbox 313860 - See GP section (table 013B) for the coupling
 (F) From gearbox 313861 - See GP section (table 013B) for the coupling
 (*) 1st Exec. with flanges (fig 20 & 21). Replaced by 1 pc. 389 262 8610 + 2 pcs 389 262 5334
 (**) This Gear is assy with flanges (fig 20 & 21)

Date

01 / 2004

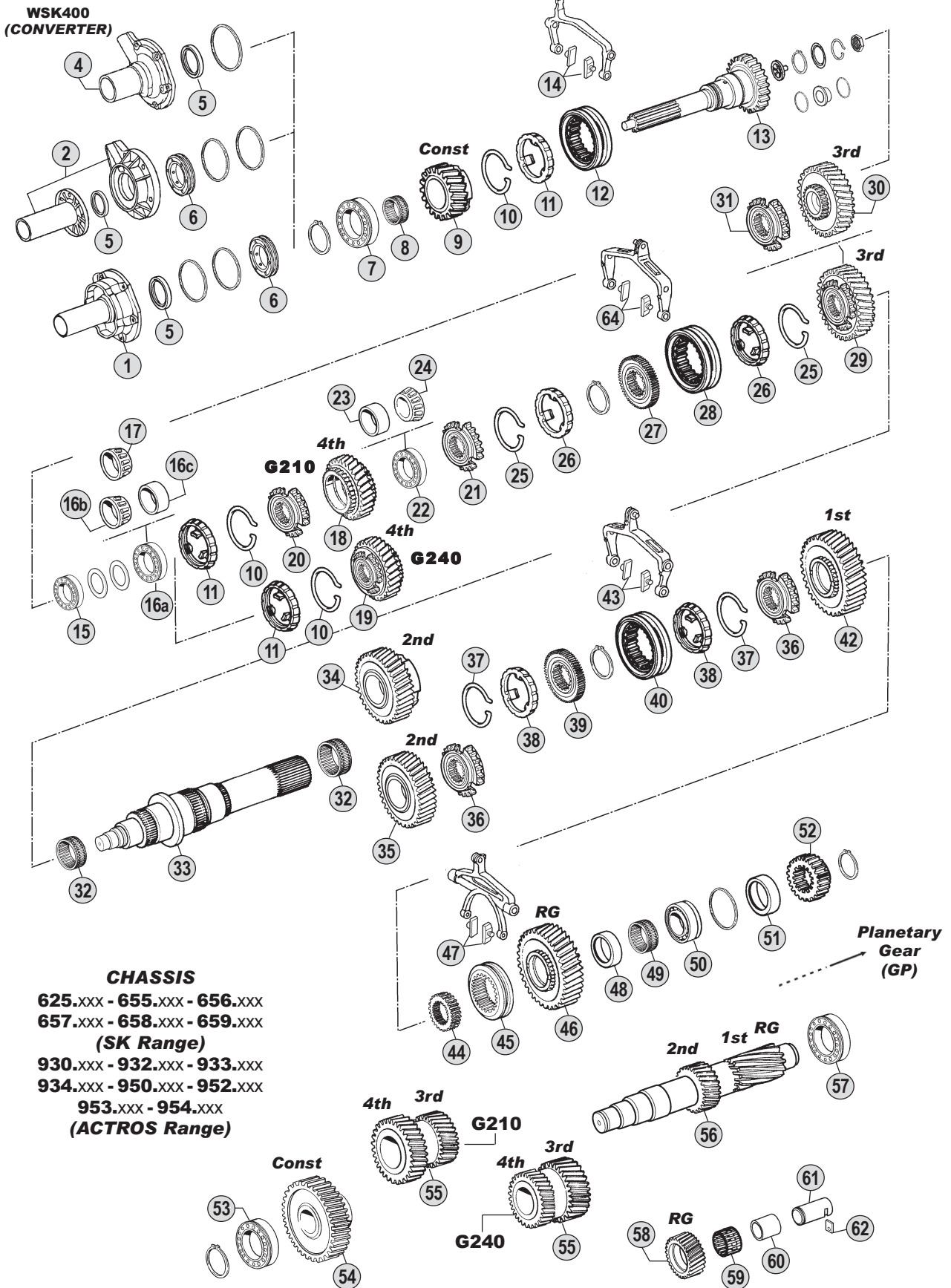
Table

013 / A

All original equipment manufacturers' numbers, symbols, pictures, models and description used in this catalogue are for reference only, and it is not implied that any part listed is the product of these manufactures.
 Tutti i nostri particolari non sono originali ma con essi intercambiabili. I riferimenti originali, le figure, i modelli sono esposti a semplice titolo indicativo. La nostra produzione riporta il nostro marchio.

Suitable To: **MERCEDES**

G210 - G240 (16 Speeds)



CHASSIS

- 625.XXX - 655.XXX - 656.XXX
- 657.XXX - 658.XXX - 659.XXX
- (SK Range)**
- 930.XXX - 932.XXX - 933.XXX
- 934.XXX - 950.XXX - 952.XXX
- 953.XXX - 954.XXX
- (ACTROS Range)**

Models

G210 - 16 / 14,2 - 0,83	715.240(EPS)-241-242-252-253-500-501-504
G240 - 16 / 11,7 - 0,69	715.260(EPS)-261-400-410-411-520-521



All original equipment manufacturers' numbers, symbols, pictures, models and description used in this catalogue are for reference only, and it is not implied that any part listed is the product of these manufactures. Tutti i nostri particolari non sono originali ma con essi intercambiabili. I riferimenti originali, le figure, i modelli sono esposti a semplice titolo indicativo. La nostra produzione riporta il nostro marchio.

Fig.	CEI no.	MB no.	Description	Q.ty	Note					
27	157.556	389 262 4735	Synchronizer hub	1	(BD)	●	●			
28	154.221	945 262 0323	Sliding sleeve	1	(AC)	●	●			
28	154.220	945 262 0423	Sliding sleeve	1	(BD)	●	●			
29	145.589	389 262 1813	Gear 3th Speed 34 T	1	(A)	●				
29	145.590	389 260 5719	Gear 3th Speed 29 T	1	(C)		●			
30	145.591	945 262 3513	Gear 3th Speed 34 T	1	(B)	●				
30	145.592	389 262 3713	Gear 3th Speed 29 T	1	(D)		●			
31	109.189	945 262 0534	Synchronizer flange	1	(BD)	●	●			
32	137.177	018 981 6610	Needle cage	2		●	●			
33	103.150	389 262 2405	Main shaft	1	(AC)	●	●			
33	103.149	945 262 3605	Main shaft	1	(BD)	●	●			
34	145.614	389 260 4919	Gear 2nd Speed 39 T	1	Old - Repl. By 1 pc Fig.35 + 1 pc. Fig 36	●	●			
35	145.615	389 262 2512	Gear 2nd Speed 39 T	1		●	●			
36	109.187	945 262 0434	Synchronizer flange	2		●	●			
37	111.205	387 262 0893	Spap ring	2		●	●			
38	119.161	389 262 0737	Synchronizer cone	2		●	●			
39	157.557	389 262 2535	Synchronizer hub	1		●	●			
40	154.220	945 262 0423	Sliding sleeve	1		●	●			
42	145.616	389 262 2711	Gear 1st Speed 44 T	1		●	●			
43	141.165	389 265 2749	Slide	2		●	●			
44	157.603	389 262 0135	Hub	1	With Sleeve 389 262 1723	●	●			
44	157.606	389 262 3935	Hub	1	With Sleeve 389 262 1823	●	●			
45	154.224	389 262 1723	Sliding sleeve	1	With Rev. Gear 389 262 2033	●	●			
45	154.223	389 262 1823	Sliding sleeve	1	With Gears 389 262 1733/2133	●	●			
46	147.161	389 262 2033	Reverse gear 40 T	1	With Sleeve 389 262 1723	●	●			
46	145.617	389 262 1733	Reverse gear 40 T	1	With Sleeve 389 262 1823	●	●			
46	147.163	389 262 2133	Reverse gear 40 T	1	With Sleeve 389 262 1823	●	●			
47	141.160	945 265 0149	Slide	2		●	●			
48	117.327	389 262 1650	Bush	1		●	●			
49	137.187	009 981 1510	Needle cage	1		●	●			
50	130.552	012 981 9305	Bearing D.60x130x30	1		●	●			
51	117.325	389 262 3754	Spacer S.18,00 mm	1		●	●			
52	157.604	389 262 0509	Sun gear 25 T	1	(E)	●				
52	157.605	389 262 0809	Sun gear 25 T	1	(F)	●				
52	157.605	389 262 0809	Sun gear 25 T	1			●			
53	130.554	014 981 1405	Bearing	1		●	●			
54	146.499	945 263 0810	Constant gear 31 T	1		●	●			
55	143.101	389 263 1913	Double gear 4th-3rd Sp. 34-27 T	1	(A)	●				
55	143.102	945 263 1013	Double gear 4th-3rd Sp. 34-27 T	1	(B)	●				
55	143.103	389 263 1813	Double gear 4th-3rd Sp. 29-34 T	1	(C)		●			
55	143.104	945 263 0013	Double gear 4th-3rd Sp. 29-34 T	1	(D)		●			
56	105.132	389 263 2502	Countershaft 21-16 T	1		●	●			
57	130.553	012 981 9205	Bearing	1		●	●			
58	147.162	389 263 1031	Reverse gear	1		●	●			
59	137.181	012 981 8910	Needle cage	1		●	●			

Notes

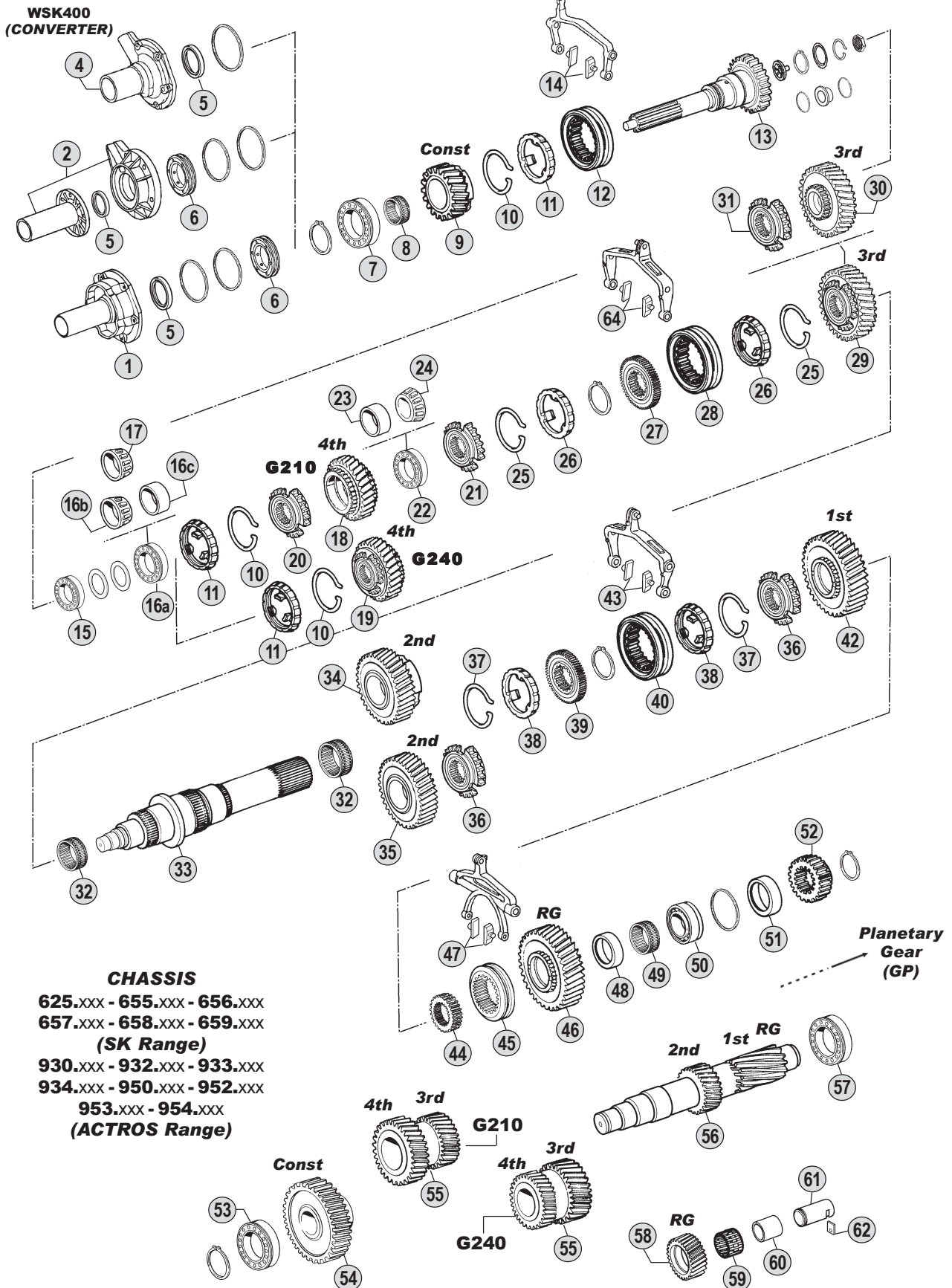
- (A) Up to gearbox 438701 (B) From gearbox 438702
 (C) Up to 433517 (D) From 433518
 (E) Up to gearbox 313860 - See GP section (table 013B) for the coupling
 (F) From gearbox 313861 - See GP section (table 013B) for the coupling
 (*) 1st Exec. with flanges (fig 20 & 21). Replaced by 1 pc. 389 262 8610 + 2 pcs 389 262 5334
 (**) This Gear is assy with flanges (fig 20 & 21)

Date

01 / 2004

Table

013 / A

Suitable To: **MERCEDES****G210 - G240 (16 Speeds)**

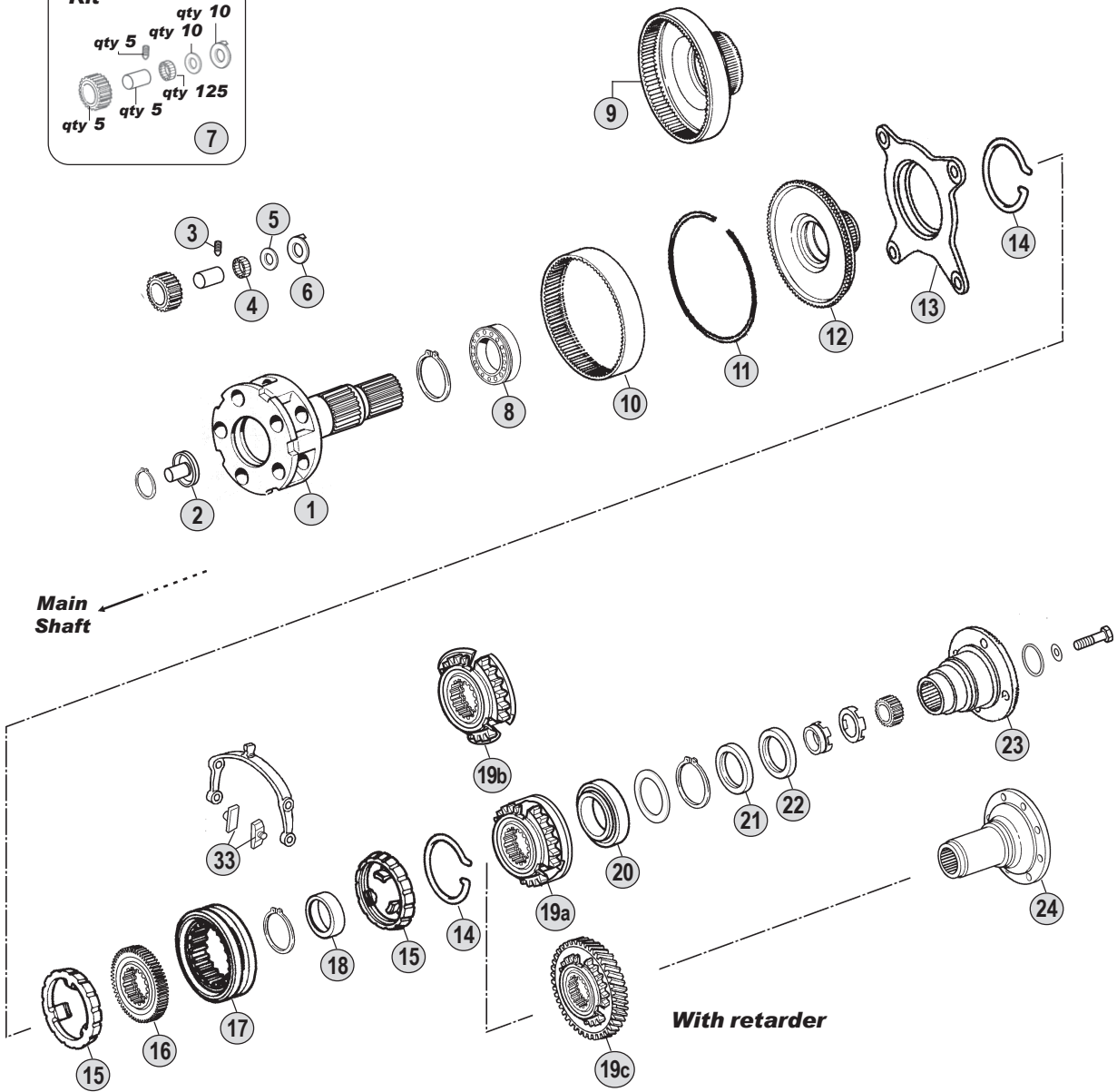
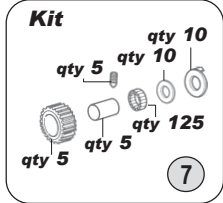
All original equipment manufacturers' numbers, symbols, pictures, models and description used in this catalogue are for reference only, and it is not implied that any part listed is the product of these manufactures. Tutti i nostri particolari non sono originali ma con essi intercambiabili. I riferimenti originali, le figure, i modelli sono esposti a semplice titolo indicativo. La nostra produzione riporta il nostro marchio.

Models

G210 - 16 / 14,2 - 0,83 715.240(EPS)-241-242-252-253-500-501-504
G240 - 16 / 11,7 - 0,69 715.260(EPS)-261-400-410-411-520-521

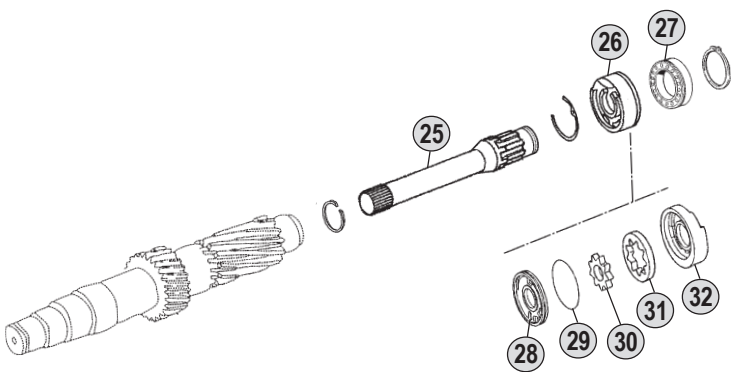
Suitable To: **MERCEDES**

Gearbox Models
G210 - G240 (16 Speeds)



- CHASSIS**
625.XXX - 655.XXX - 656.XXX
657.XXX - 658.XXX - 659.XXX
(SK Range)
930.XXX - 932.XXX - 933.XXX
934.XXX - 950.XXX - 952.XXX
953.XXX - 954.XXX
(ACTROS Range)

Oil Pump Shaft & Oil Pump



All original equipment manufacturers' numbers, symbols, pictures, models and description used in this catalogue are for reference only, and it is not implied that any part listed is the product of these manufactures. Tutti i nostri particolari non sono originali ma con essi intercambiabili. I riferimenti originali, le figure, i modelli sono esposti a semplice titolo indicativo. La nostra produzione riporta il nostro marchio.

Models

G210 - 16 / 14,2 - 0,83	715.240(EPS)-241-242-252-253-500-501-504
G240 - 16 / 11,7 - 0,69	715.260(EPS)-261-400-410-411-520-521



Fig.	CEI no.	MB no.	Description	Q.ty	Note					
1		389 260 8661	Planet carrier	1	Empty - Old Type (1)	●	●			
1	190.337	945 260 4461	Planet carrier	1	Empty	●	●			
1	190.338	945 260 4661	Planet carrier	1	Complete	●	●			
2	188.181	389 269 4734	Oil tube	1		●	●			
3	187.609	000914 006109	Stud 6x14 mm	5		●	●			
4	171.057	000 981 4186	Needle	125		●	●			
5	169.801	389 262 0162	Thrust washer	10		●	●			
6	169.803	389 262 1462	Thrust washer	10		●	●			
7	198.885	655 260 0097	Repair kit	1	(E)	●				
7	198.886	655 260 0197	Repair kit	1	(F)	●				
7	198.886	655 260 0197	Repair kit	1			●			
8	130.540	008 981 1325	Bearing D.90x130x14	1		●	●			
9	123.231	389 262 0608	Crown gear	1	(E)	●				
9	123.230	945 262 0108	Crown gear 85 T	1	(F) ALT-1 pc. Fig.10+Fig.11+Fig.12	●				
9	123.230	945 262 0108	Crown gear 85 T	1	ALT-1 pc. Fig.10+Fig.11+Fig.12		●			
10	123.232	945 262 0208	Crown gear 85 T	1	(F) ALT-1 pc. Fig.9 (Crown assy)	●				
10	123.232	945 262 0208	Crown gear 85 T	1	ALT-1 pc. Fig.9 (Crown assy)		●			
11	111.209	389 262 0773	Ring	1		●	●			
12	150.144	389 262 1425	Flange gear	1	(F) ALT-1 pc. Fig.9 (Crown assy)	●				
12	150.144	389 262 1425	Flange gear	1	ALT-1 pc. Fig.9 (Crown assy)		●			
13	198.879	389 260 2036	Synchronizer flange	1		●	●			
14	111.206	389 262 0293	Ring	2		●	●			
15	119.160	389 262 0537	Synchronizer cone	2		●	●			
16	155.204	389 262 2035	Synchronizer hub	1		●	●			
17	154.217	945 262 0823	Sliding sleeve	1		●	●			
18	117.322	389 262 0251	Spacer	1		●	●			
19a	109.336	389 262 4434	Synchronizer cone	1	W / Rear Housing 389 261 6203	●	●			
19b	109.337	389 262 9234	Synchronizer cone	1	W / Rear Housing 389 261 1126	●	●			
19c	109.342	389 264 0730	Synchronizer flange	1	For model with VOITH Retarder	●	●			
19c	109.341	945 264 0220	Synchronizer flange	1	For model with VOITH Ret. (2)		●			
20	130.539	004 981 9325	Bearing D.85x150x28	1	Old Type (1)	●	●			
20	130.564	008 981 3025	Bearing D.80x150x28	1		●	●			
20	130.563	007 981 8201	Bearing	1	For model with TELMA Retarder	●	●			
21	139.551	013 997 7247	Oil seal	1		●	●			
21	139.552	013 997 7347	Oil seal	1	For model with VOITH Retarder	●	●			
21	139.557	015 997 6447	Oil seal	1	For model with TELMA Retarder	●	●			
22	139.552	013 997 7347	Oil seal	1		●	●			
22	139.558	017 997 1247	Oil seal	1	For model with TELMA Retarder	●	●			
23	197.083	945 262 0045	Output flange D.180	1		●	●			
23	197.082	389 262 0645	Output flange D.200	1		●	●			
23	197.081	389 262 0545	Output flange D.180	1	For model with VOITH Retarder	●	●			
23	197.080	389 262 0945	Output flange D.200	1	For model with VOITH Retarder	●	●			
24	197.085	387 264 1945	Output flange D.198	1	For model with TELMA Retarder	●	●			
24	197.084	945 262 0445	Output flange D.200	1	For model with TELMA Retarder	●	●			
25	101.123	389 269 1210	Oil pump shaft	1		●	●			

Notes

- (E) Up to gearbox **313860** - See Sun gear (table 013A) for the coupling
(F) From gearbox **313861** - See Sun gear (table 013A) for the coupling
(1) Old Type Planet carrier uses old bearing type.
The old type is replaced by : 1 pc 945 260 4461 + 1 pc 008 981 3025
(2) Retarder Reduced Version

Date

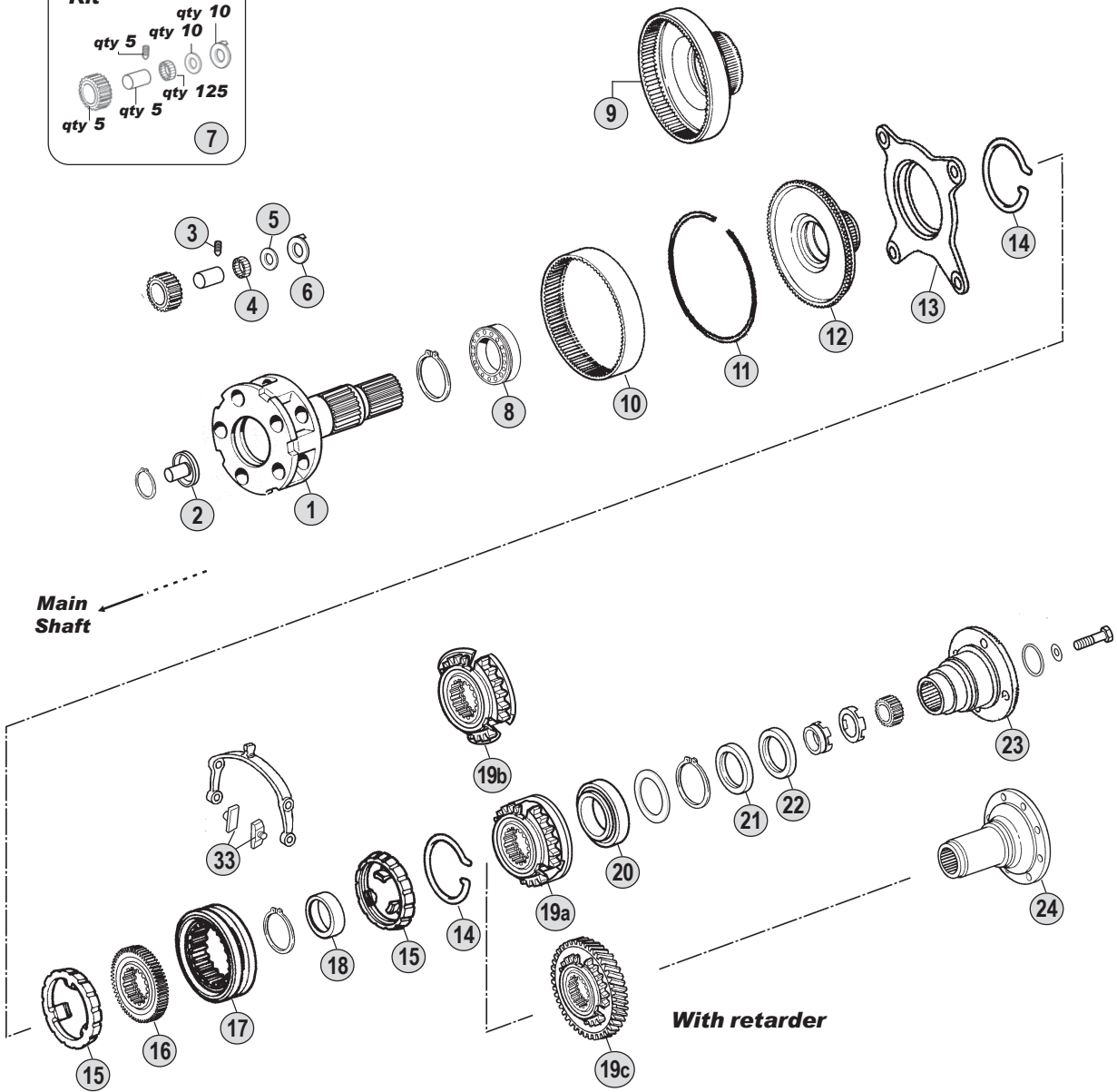
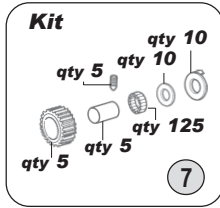
01 / 2004

Table

013 / B

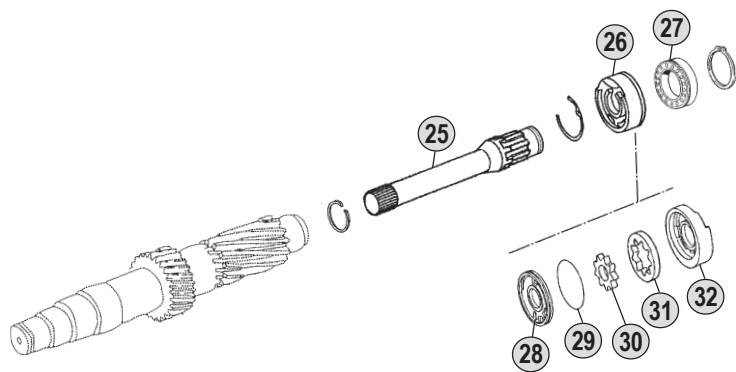
Suitable To: **MERCEDES**

Gearbox Models
G210 - G240 (16 Speeds)



- CHASSIS**
625.XXX - 655.XXX - 656.XXX
657.XXX - 658.XXX - 659.XXX
(SK Range)
930.XXX - 932.XXX - 933.XXX
934.XXX - 950.XXX - 952.XXX
953.XXX - 954.XXX
(ACTROS Range)

Oil Pump Shaft & Oil Pump



Models

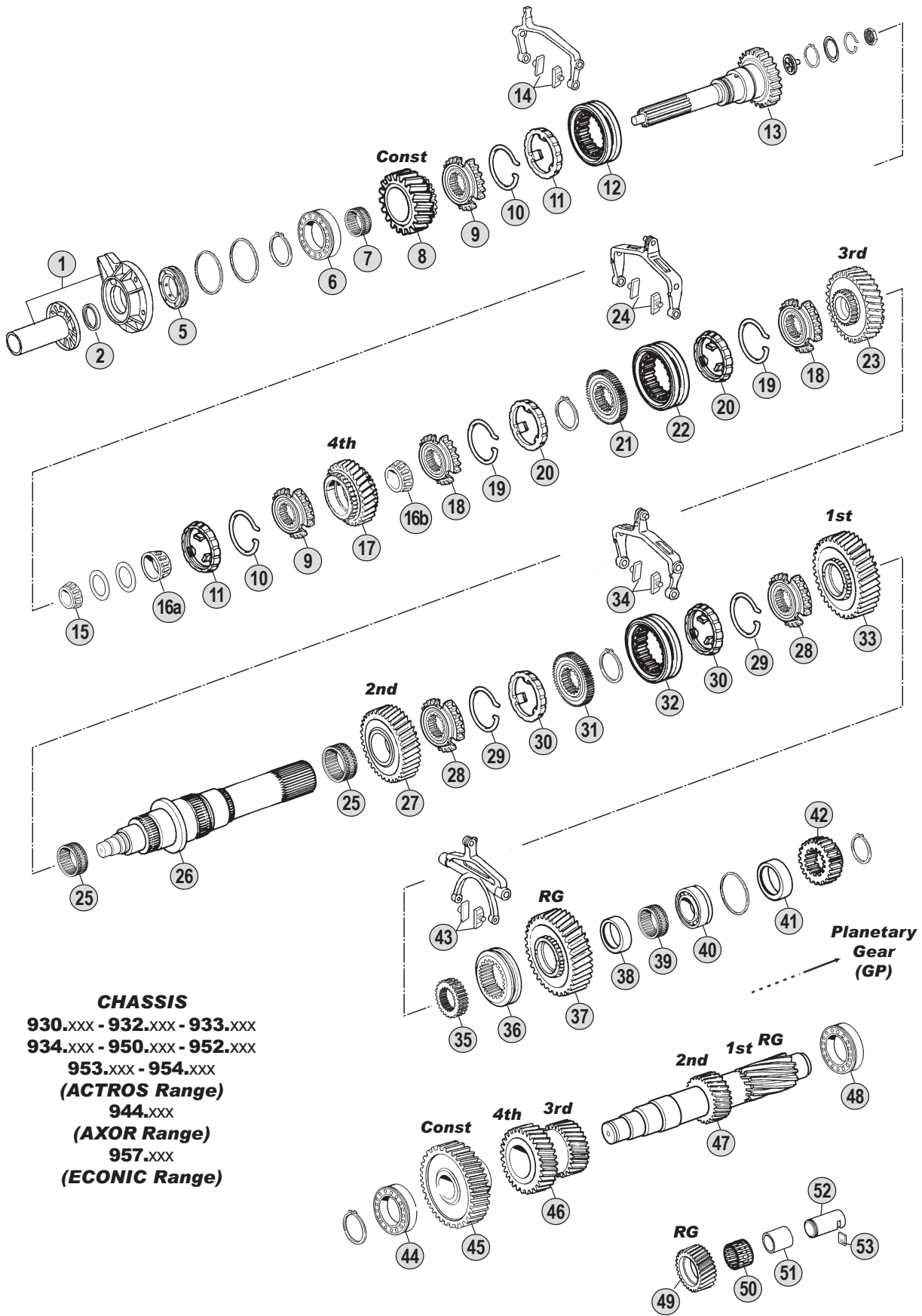
G210 - 16 / 14,2 - 0,83	715.240(EPS)-241-242-252-253-500-501-504
G240 - 16 / 11,7 - 0,69	715.260(EPS)-261-400-410-411-520-521



All original equipment manufacturers' numbers, symbols, pictures, models and description used in this catalogue are for reference only, and it is not implied that any part listed is the product of these manufactures. Tutti i nostri particolari non sono originali ma con essi intercambiabili. I riferimenti originali, le figure, i modelli sono esposti a semplice titolo indicativo. La nostra produzione riporta il nostro marchio.

Suitable To: **MERCEDES**

Gearbox Models **G211 (16 Speeds)**



CHASSIS
930.XXX - 932.XXX - 933.XXX
934.XXX - 950.XXX - 952.XXX
953.XXX - 954.XXX
(ACTROS Range)
944.XXX
(AXOR Range)
957.XXX
(ECONIC Range)

Models

G211 - 16 / 17,03 - 1,00 715.510-516



All original equipment manufacturers' numbers, symbols, pictures, models and description used in this catalogue are for reference only, and it is not implied that any part listed is the product of these manufactures. Tutti i nostri particolari non sono originali ma con essi intercambiabili. I riferimenti originali, le figure, i modelli sono esposti a semplice titolo indicativo. La nostra produzione riporta il nostro marchio.

Fig.	CEI no.	MB no.	Description	Q.ty	Note					
1	135.134	945 261 1118	Front cover	1		●				
2	139.556	019 997 0547	Oil seal	1		●				
5	139.555	389 261 0665	Ring	1		●				
6	130.550	011 981 1305	Bearing	1		●				
7	137.189	018 981 6410	Needle bearing	1		●				
8	145.618	945 262 4510	Constant gear 27 T	1		●				
9	109.335	945 262 0334	Synchronizer flange	2		●				
10	111.204	387 262 1093	Spap ring	2		●				
11	119.112	389 262 0637	Synchronizer cone	2		●				
12	154.221	945 262 0323	Sliding sleeve	1		●				
13	102.282	945 262 3201	Input shaft	1		●				
13	102.280	945 262 6701	Input shaft	1		●				
13	102.279	945 262 1901	Input shaft	1	With NMV (Clutch PTO)	●				
13	102.281	945 262 5401	Input shaft	1	With NMV (Clutch PTO)	●				
13	102.278	389 262 7901	Input shaft	1	With NMV (Clutch PTO)	●				
14	141.165	389 265 2749	Slide	2		●				
15	130.556	014 981 1905	Bearing D.50x32	1		●				
16a	130.561	015 981 2005	Bearing	1		●				
16b	130.547	014 981 1605	Bearing D.50x24	1		●				
17	145.586	945 262 0510	Gear 4th Speed 29 T	1	Shot Peened Treatment	●				
17	145.623	945 262 2310	Gear 4th Speed 29 T	1	Shot Blasted Treatment	●				
18	109.189	945 262 0534	Synchronizer flange	2		●				
19	111.205	387 262 0893	Spap ring	2		●				
20	119.161	389 262 0737	Synchronizer cone	2		●				
21	157.556	389 262 4735	Synchronizer hub	1		●				
22	154.220	945 262 0423	Sliding sleeve	1		●				
23	145.591	945 262 3513	Gear 3th Speed 34 T	1		●				
24	141.165	389 265 2749	Slide	2		●				
25	137.177	018 981 6610	Needle cage	2		●				
26	103.149	945 262 3605	Main shaft	1		●				
27	145.615	389 262 2512	Gear 2nd Speed 39 T	1		●				
28	109.187	945 262 0434	Synchronizer flange	2		●				
29	111.205	387 262 0893	Spap ring	2		●				
30	119.161	389 262 0737	Synchronizer cone	2		●				
31	157.557	389 262 2535	Synchronizer hub	1		●				
32	154.220	945 262 0423	Sliding sleeve	1		●				
33	145.616	389 262 2711	Gear 1st Speed 44 T	1		●				
34	141.165	389 265 2749	Slide	2		●				
35	157.603	389 262 0135	Synchronizer hub	1	With Sleeve 389 262 1723	●				
35	157.606	389 262 3935	Synchronizer hub	1	With Sleeve 389 262 1823	●				
36	154.224	389 262 1723	Sliding sleeve	1	With Rev. Gear 389 262 2033	●				
36	154.223	389 262 1823	Sliding sleeve	1	With Rev. Gear 389 262 2133	●				
37	147.161	389 262 2033	Reverse gear 40 T	1	With Sleeve 389 262 1723	●				
37	147.163	389 262 2133	Reverse gear 40 T	1	With Sleeve 389 262 1823	●				
38	117.327	389 262 1650	Bush	1		●				

Notes

Date

01 / 2004

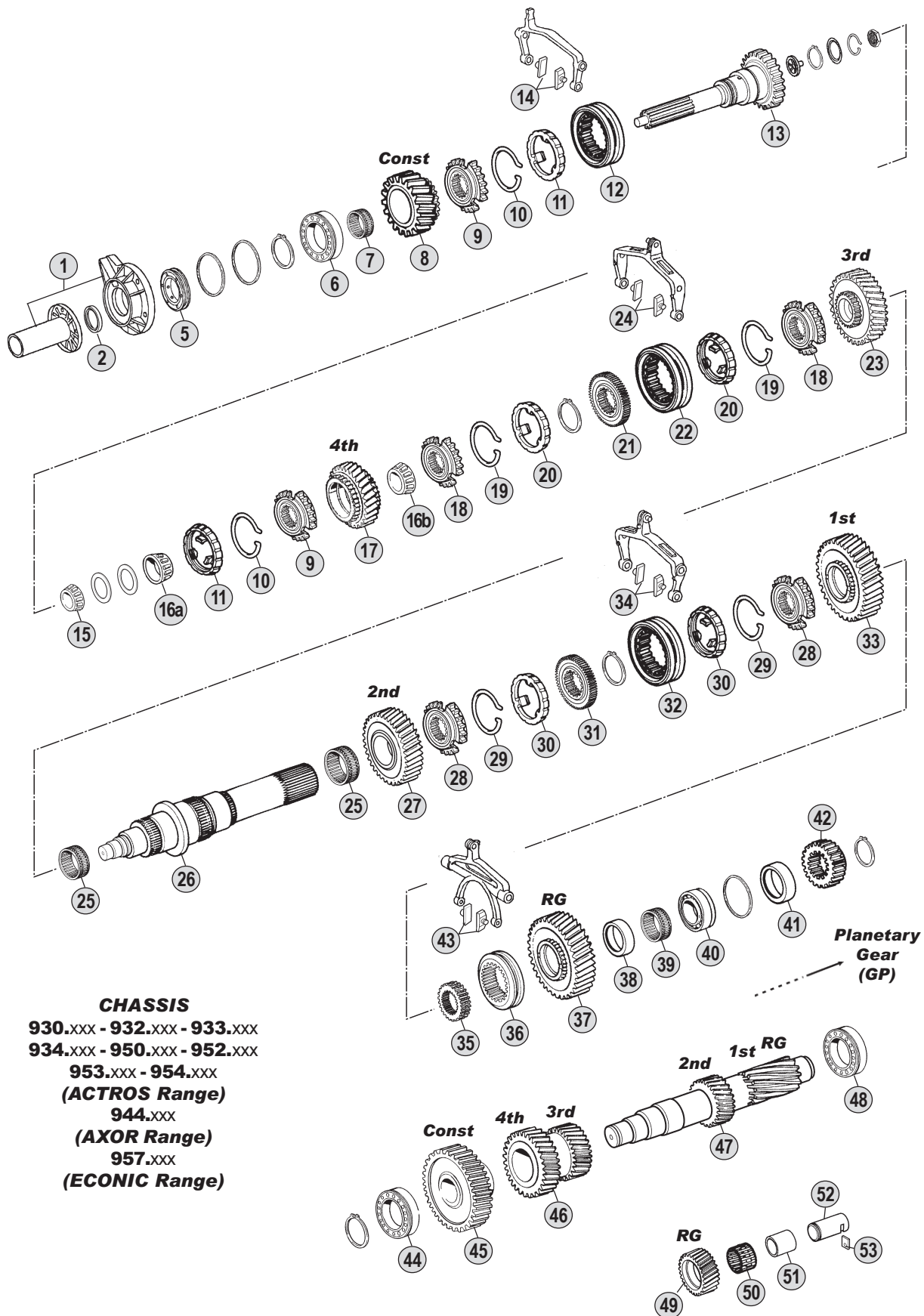
Table

014/A

All original equipment manufacturers' numbers, symbols, pictures and description used in this catalogue are for reference only, and it is not implied that any part listed is the product of these manufactures.
Tutti i nostri particolari non sono originali ma con essi intercambiabili. I riferimenti originali, le figure, i modelli sono esposti a semplice titolo indicativo. La nostra produzione riporta il nostro marchio.

Suitable To: **MERCEDES**

Gearbox Models
G211 (16 Speeds)



CHASSIS

930.XXX - 932.XXX - 933.XXX

934.XXX - 950.XXX - 952.XXX

953.XXX - 954.XXX

(ACTROS Range)

944.XXX

(AXOR Range)

957.XXX

(ECONIC Range)

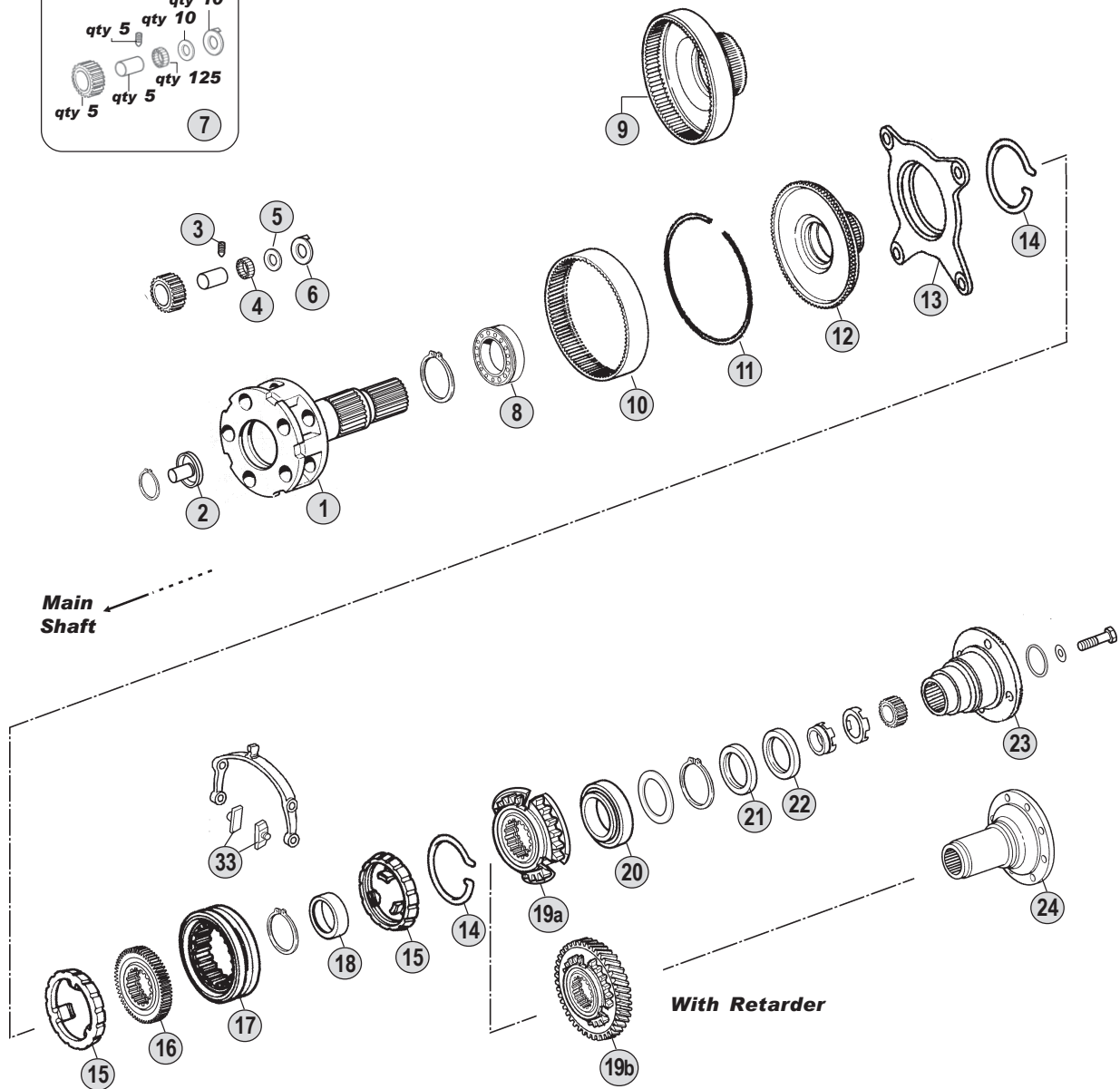
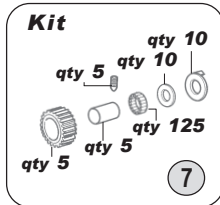
Models

G211 - 16 / 17,03 - 1,00 715.510-516

All original equipment manufacturers' numbers, symbols, pictures, models and description used in this catalogue are for reference only, and it is not implied that any part listed is the product of these manufacturers. Tutti i nostri particolari non sono originali ma con essi intercambiabili. I riferimenti originali, le figure, i modelli sono esposti a semplice titolo indicativo. La nostra produzione riporta il nostro marchio.

Suitable To: **MERCEDES**

Gearbox Models
G211 (16 Speeds)



Oil Pump Shaft & Oil Pump

CHASSIS

930.XXX - 932.XXX - 933.XXX

934.XXX - 950.XXX - 952.XXX

953.XXX - 954.XXX

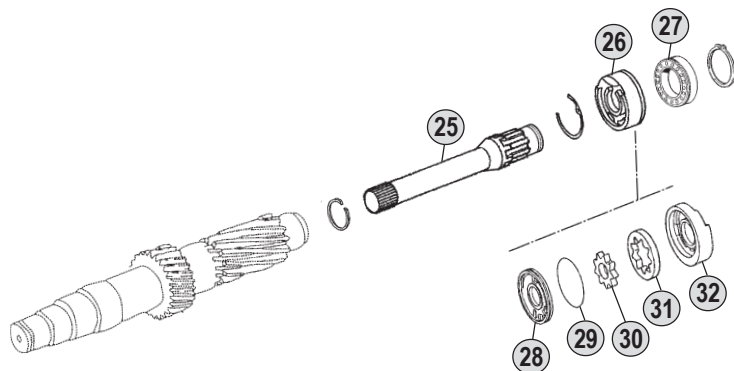
(ACTROS Range)

944.XXX

(AXOR Range)

957.XXX

(ECONIC Range)



All original equipment manufacturers' numbers, symbols, pictures, models and description used in this catalogue are for reference only, and it is not implied that any part listed is the product of these manufactures. Tutti i nostri particolari non sono originali ma con essi intercambiabili. I riferimenti originali, le figure, i modelli sono esposti a semplice titolo indicativo. La nostra produzione riporta il nostro marchio.

Models

G211 - 16 / 17,03 - 1,00 715.510-516

Fig.	CEI no.	MB no.	Description	Q.ty	Note					
1	190.337	945 260 4461	Planet carrier	1	Empty	●				
1	190.338	945 260 4661	Planet carrier	1	Complete	●				
2	188.181	389 269 4734	Oil tube	1		●				
3	187.609	000914 006109	Stud 6x14 mm	5		●				
4	171.057	000 981 4186	Needle	125		●				
5	169.801	389 262 0162	Thrust washer	10		●				
6	169.803	389 262 1462	Thrust washer	10		●				
7	198.886	655 260 0197	Repair kit	1		●				
8	130.540	008 981 1325	Bearing D.90x130x14	1		●				
9	123.230	945 262 0108	Crown gear 85 T	1	ALT-1 pc. Fig.10+Fig.11+Fig.12	●				
10	123.232	945 262 0208	Crown gear 85 T	1	ALT-1 pc. Fig.9 (Crown assy)	●				
11	111.209	389 262 0773	Ring	1		●				
12	150.144	389 262 1425	Flange gear	1	ALT-1 pc. Fig.9 (Crown assy)	●				
13	198.879	389 260 2036	Synchronizer flange	1		●				
14	111.206	389 262 0293	Ring	2		●				
15	119.160	389 262 0537	Synchronizer cone	2		●				
16	155.204	389 262 2035	Synchronizer hub	1		●				
17	154.217	945 262 0823	Sliding sleeve	1		●				
18	117.322	389 262 0251	Spacer	1		●				
19a	109.337	389 262 9234	Synchronizer cone	1		●				
19b	109.342	389 264 0730	Synchronizer flange	1	For model with VOITH Retarder	●				
20	130.564	008 981 3025	Bearing D.80x150x28	1		●				
20	130.563	007 981 8201	Bearing	1	For model with TELMA retarder	●				
21	139.551	013 997 7247	Oil seal	1		●				
21	139.552	013 997 7347	Oil seal	1	For model with VOITH Retarder	●				
21	139.557	015 997 6447	Oil seal	1	For model with TELMA retarder	●				
22	139.552	013 997 7347	Oil seal	1		●				
22	139.558	017 997 1247	Oil seal	1	For model with TELMA Retarder	●				
23	197.083	945 262 0045	Output flange D.180	1		●				
23	197.082	389 262 0645	Output flange D.200	1		●				
23	197.081	389 262 0545	Output flange D.180	1	For model with VOITH Retarder	●				
23	197.080	389 262 0945	Output flange D.200	1	For model with VOITH Retarder	●				
24	197.085	387 264 1945	Output flange D.198	1	For model with TELMA retarder	●				
24	197.084	945 262 0445	Output flange D.200	1	For model with TELMA retarder	●				
25	101.123	389 269 1210	Oil pump shaft	1		●				
25	101.124	389 269 1310	Oil pump shaft	1	For model with VOITH Retarder	●				
26	280.587	389 260 0690	Oil pump	1	Old Type - Assembly	●				
27	130.538	004 981 9225	Bearing D.45x75x16	1		●				
28	189.607	945 269 0101	Oil pump cover	1	New Type - Disassembled	●				
29	111.208	029 997 5748	Ring	1	New Type - Disassembled	●				
30	189.606	389 269 1406	Oil pump gear	1	New Type - Disassembled	●				
31	189.605	389 269 0706	Oil pump hub	1	New Type - Disassembled	●				
32	189.604	389 269 3801	Oil pump housing	1	New Type - Disassembled	●				
33	141.162	389 265 2449	Slide	2		●				

Notes

Date

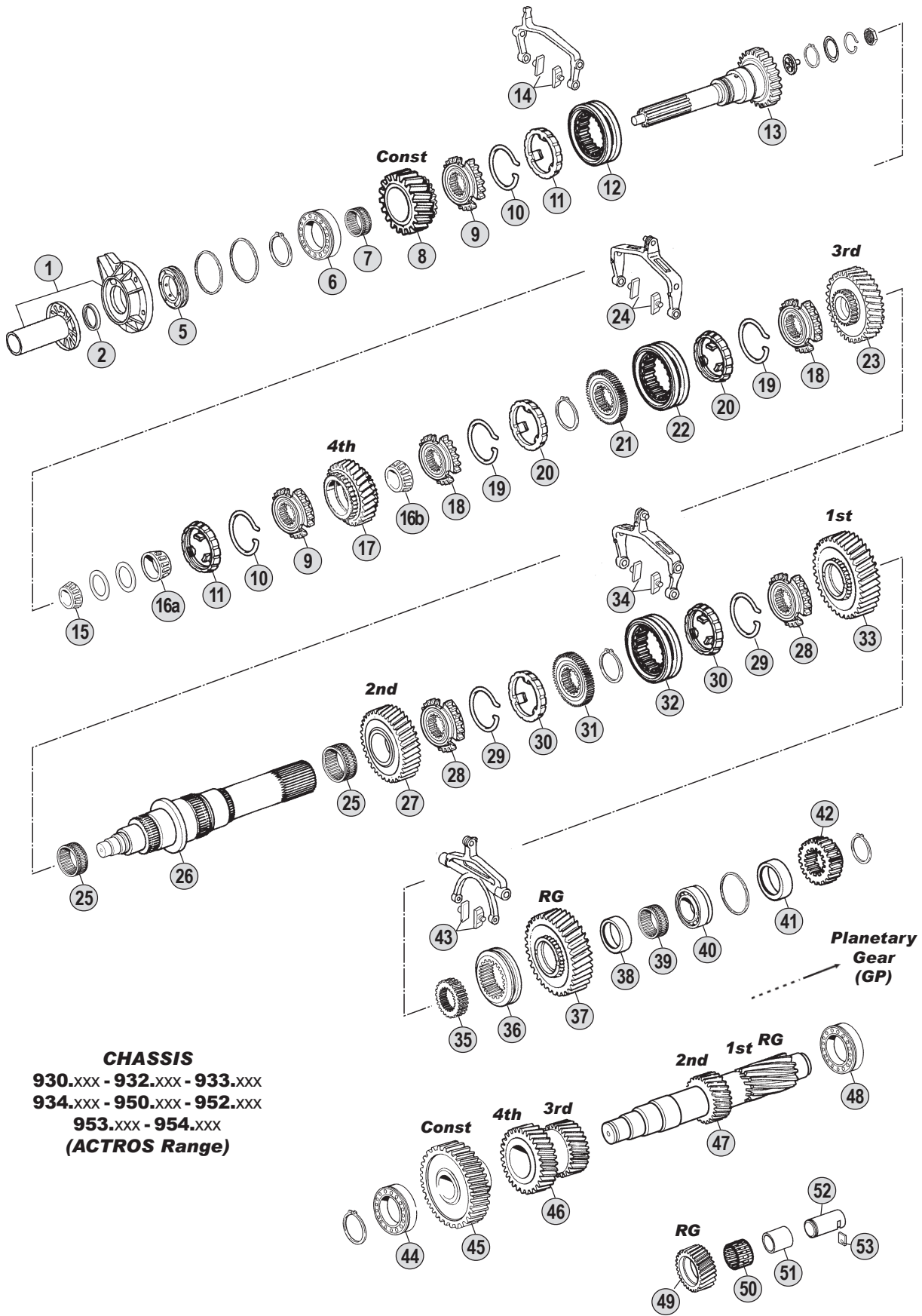
01 / 2004

Table

014 / B

All original equipment manufacturers' numbers, symbols, pictures, models and description used in this catalogue are for reference only, and it is not implied that any part listed is the product of these manufactures.
Tutti i nostri particolari non sono originali ma con essi intercambiabili. I riferimenti originali, le figure, i modelli sono esposti a semplice titolo indicativo. La nostra produzione riporta il nostro marchio.

Suitable To: MERCEDES



CHASSIS
 930.XXX - 932.XXX - 933.XXX
 934.XXX - 950.XXX - 952.XXX
 953.XXX - 954.XXX
(ACTROS Range)

Models

G231 - 16 / 17,03 - 1,00 715.513



All original equipment manufacturers' numbers, symbols, pictures, models and description used in this catalogue are for reference only, and it is not implied that any part listed is the product of these manufactures. Tutti i nostri particolari non sono originali ma con essi intercambiabili. I riferimenti originali, le figure, i modelli sono esposti a semplice titolo indicativo. La nostra produzione riporta il nostro marchio.

Fig.	CEI no.	MB no.	Description	Q.ty	Note					
1	135.134	945 261 1118	Front cover	1		●				
2	139.556	019 997 0547	Oil seal	1		●				
5	139.555	389 261 0665	Ring	1		●				
6	130.550	011 981 1305	Bearing	1		●				
7	137.189	018 981 6410	Needle cage	1		●				
8	145.618	945 262 4510	Constant gear 27 T	1		●				
9	109.335	945 262 0334	Synchronizer cone	2		●				
10	111.204	387 262 1093	Spap ring	2		●				
11	119.112	389 262 0637	Synchronizer cone	2		●				
12	154.221	945 262 0323	Sliding sleeve	1		●				
13	102.282	945 262 3201	Input shaft	1		●				
13	102.290	389 262 7601	Input shaft	1		●				
13	102.278	389 262 7901	Input shaft	1	With NMV (Clutch PTO)	●				
14	141.165	389 265 2749	Slide	2		●				
15	130.556	014 981 1905	Bearing D.50x32	1		●				
16a	130.561	015 981 2005	Bearing	1		●				
16b	130.547	014 981 1605	Bearing D.50x24	1		●				
17	145.623	945 262 2310	Gear 4th speed 29 T	1		●				
18	109.189	945 262 0534	Synchronizer flange	2		●				
19	111.205	387 262 0893	Spap ring	2		●				
20	119.161	389 262 0737	Synchronizer cone	2		●				
21	157.556	389 262 4735	Synchronizer hub	1		●				
22	154.220	945 262 0423	Sliding sleeve	1		●				
23	145.591	945 262 3513	Gear 3th Speed 34 T	1		●				
24	141.165	389 265 2749	Slide	2		●				
25	137.177	018 981 6610	Needle cage	2		●				
26	103.149	945 262 3605	Main shaft	1		●				
27	145.615	389 262 2512	Gear 2nd Speed 39 T	1		●				
28	109.187	945 262 0434	Synchronizer flange	2		●				
29	111.205	387 262 0893	Spap ring	2		●				
30	119.161	389 262 0737	Synchronizer cone	2		●				
31	157.557	389 262 2535	Synchronizer hub	1		●				
32	154.220	945 262 0423	Sliding sleeve	1		●				
33	145.616	389 262 2711	Gear 1st Speed 44 T	1		●				
34	141.165	389 265 2749	Slide	2		●				
35	157.603	389 262 0135	Hub	1	With sleeve 389 262 1723	●				
35	157.606	389 262 3935	Hub	1	With sleeve 389 262 1823	●				
36	154.224	389 262 1723	Sliding sleeve	1	With Rev Gear 389 262 2033	●				
36	154.223	389 262 1823	Sliding sleeve	1	With Rev Gear 389 262 2133	●				
37	147.161	389 262 2033	Reverse gear 40 T	1	With sleeve 389 262 1723	●				
37	147.163	389 262 2133	Reverse gear 40 T	1	With sleeve 389 262 1823	●				
38	117.327	389 262 1650	Bush	1		●				
39	137.187	009 981 1510	Needle cage	1		●				
40	130.552	012 981 9305	Bearing D.60x130x30	1		●				
41	117.325	389 262 3754	Spacer S.18,00 mm	1		●				

Notes

Date

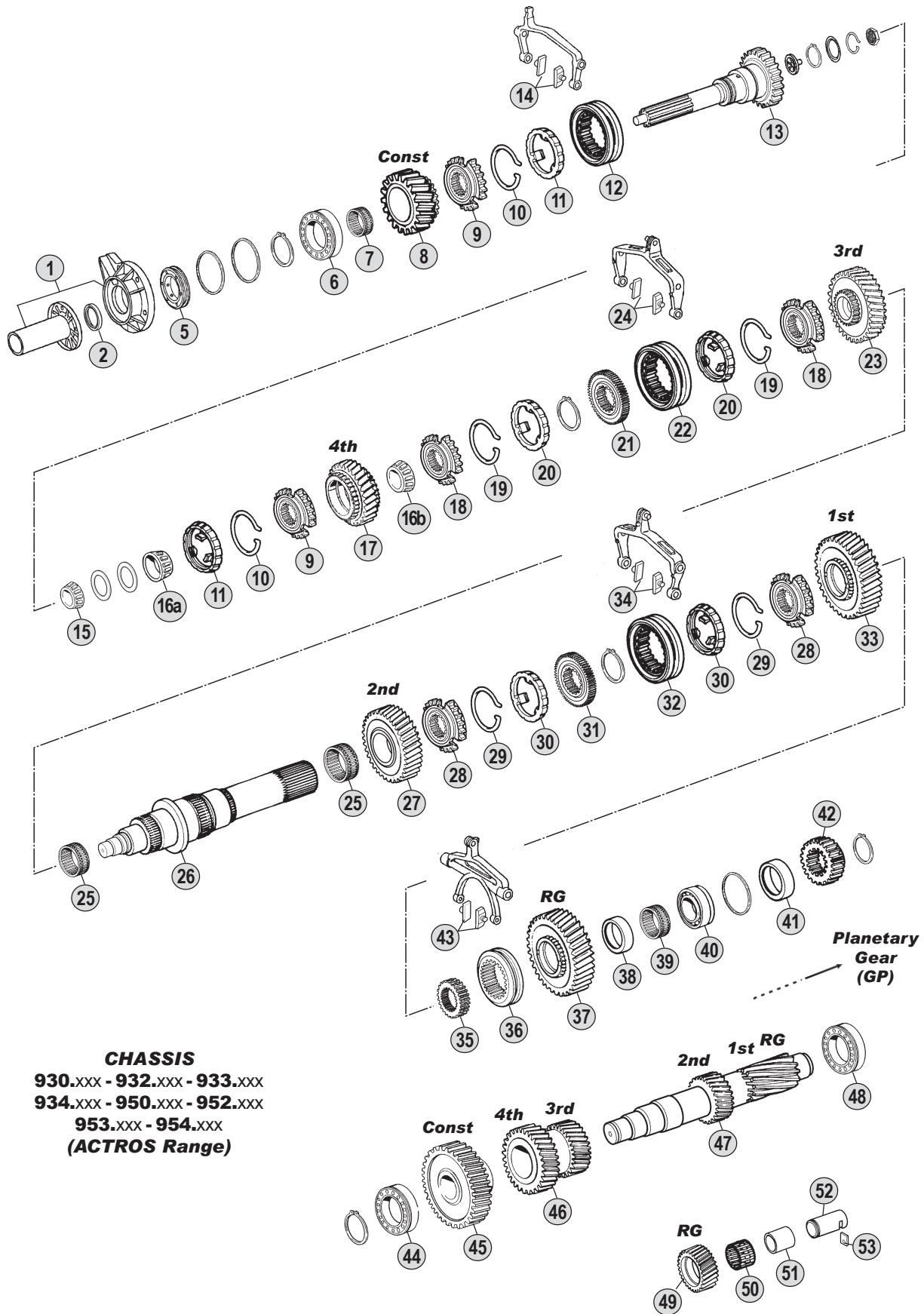
01 / 2004

Table

015 / A

All original equipment manufacturers' numbers, symbols, pictures, models and description used in this catalogue are for reference only, and it is not implied that any part listed is the product of these manufactures.
Tutti i nostri particolari non sono originali ma con essi intercambiabili. I riferimenti originali, le figure, i modelli sono esposti a semplice titolo indicativo. La nostra produzione riporta il nostro marchio.

Suitable To: MERCEDES



CHASSIS
 930.XXX - 932.XXX - 933.XXX
 934.XXX - 950.XXX - 952.XXX
 953.XXX - 954.XXX
(ACTROS Range)

Models

G231 - 16 / 17,03 - 1,00 715.513



All original equipment manufacturers' numbers, symbols, pictures, models and description used in this catalogue are for reference only, and it is not implied that any part listed is the product of these manufactures. Tutti i nostri particolari non sono originali ma con essi intercambiabili. I riferimenti originali, le figure, i modelli sono esposti a semplice titolo indicativo. La nostra produzione riporta il nostro marchio.

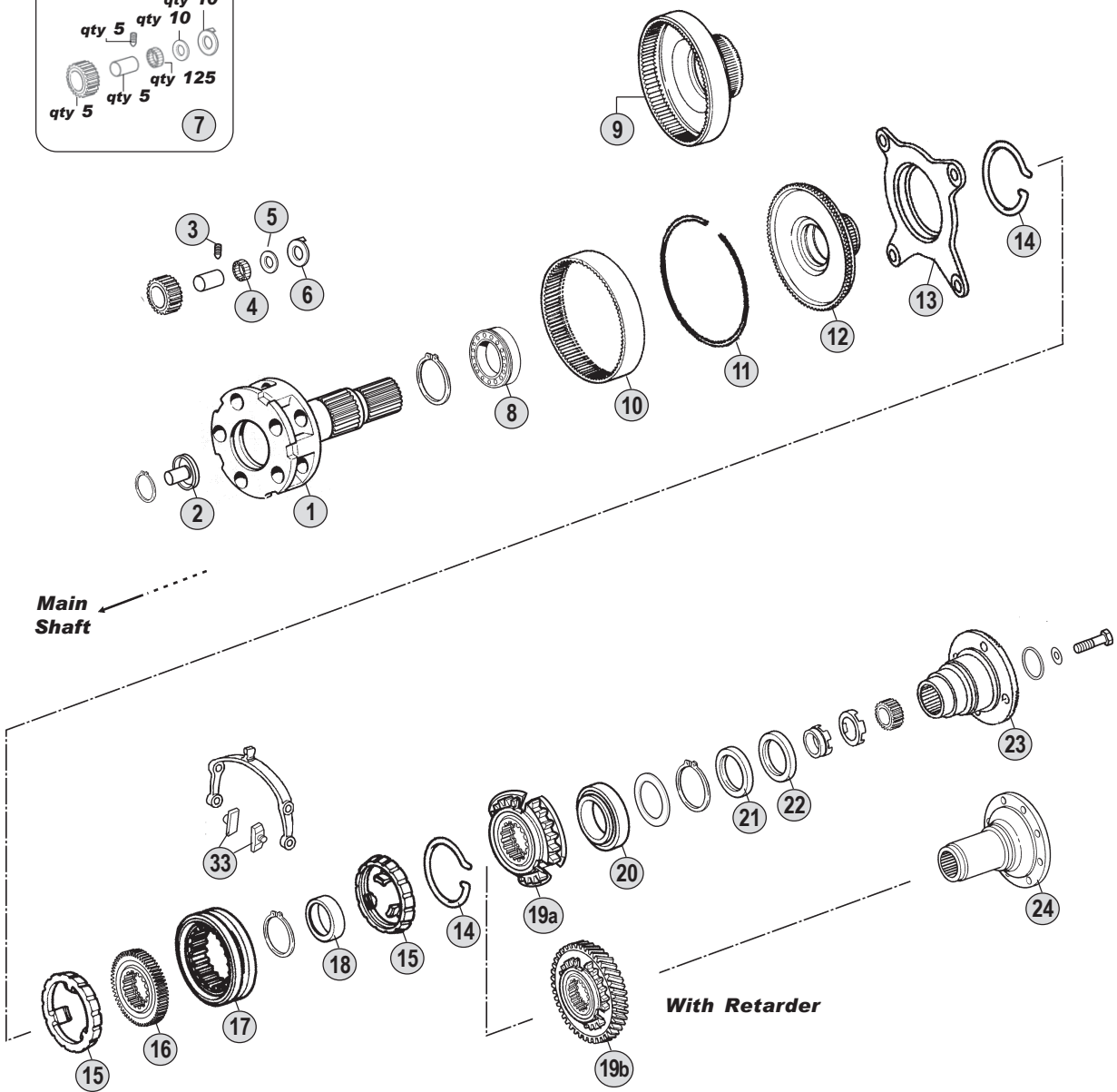
Suitable To: **MERCEDES**

Gearbox Models
G231 (16 Speeds)

Kit

qty 5 qty 10
qty 5 qty 10
qty 5 qty 125

(7)

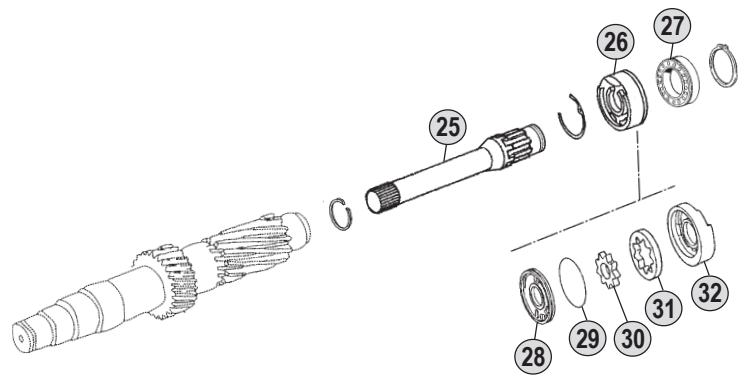


Main Shaft

With Retarder

CHASSIS
930.XXX - 932.XXX - 933.XXX
934.XXX - 950.XXX - 952.XXX
953.XXX - 954.XXX
(ACTROS Range)

Oil Pump Shaft & Oil Pump



All original equipment manufacturers' numbers, symbols, pictures, models and description used in this catalogue are for reference only, and it is not implied that any part listed is the product of these manufactures. Tutti i nostri particolari non sono originali ma con essi intercambiabili. I riferimenti originali, le figure, i modelli sono esposti a semplice titolo indicativo. La nostra produzione riporta il nostro marchio.

Models

G231 - 16 / 17,03 - 1,00 715.513



Fig.	CEI no.	MB no.	Description	Q.ty	Note					
1	190.337	945 260 4461	Planet carrier	1	Empty	●				
1	190.338	945 260 4661	Planet carrier	1	Complete	●				
2	188.181	389 269 4734	Oil tube	1		●				
3	187.609	000914 006109	Stud 6x14 mm	5		●				
4	171.057	000 981 4186	Needle	125		●				
5	169.801	389 262 0162	Thrust washer	10		●				
6	169.803	389 262 1462	Thrust washer	10		●				
7	198.886	655 260 0197	Repair kit	1		●				
8	130.540	008 981 1325	Bearing D.90x130x14	1		●				
9	123.230	945 262 0108	Crown gear 85 T	1	ALT-1 pc. Fig.10+Fig.11+Fig.12	●				
10	123.232	945 262 0208	Crown gear 85 T	1	ALT-1 pc. Fig.9 (Crown assy)	●				
11	111.209	389 262 0773	Ring	1		●				
12	150.144	389 262 1425	Flange gear	1	ALT-1 pc. Fig.9 (Crown assy)	●				
13	198.879	389 260 2036	Synchronizer flange	1		●				
14	111.206	389 262 0293	Ring	2		●				
15	119.160	389 262 0537	Synchronizer cone	2		●				
16	155.204	389 262 2035	Synchronizer hub	1		●				
17	154.217	945 262 0823	Sliding sleeve	1		●				
18	117.322	389 262 0251	Spacer	1		●				
19a	109.337	389 262 9234	Synchronizer cone	1		●				
19b	109.342	389 264 0730	Synchronizer flange	1	For model with VOITH Retarder	●				
20	130.564	008 981 3025	Bearing D.80x150x28	1		●				
20	130.563	007 981 8201	Bearing	1	For model with TELMA retarder	●				
21	139.551	013 997 7247	Oil seal	1		●				
21	139.552	013 997 7347	Oil seal	1	For model with VOITH Retarder	●				
21	139.557	015 997 6447	Oil seal	1	For model with TELMA retarder	●				
22	139.552	013 997 7347	Oil seal	1		●				
22	139.558	017 997 1247	Oil seal	1	For model with TELMA retarder	●				
23	197.083	945 262 0045	Output flange D.180	1		●				
23	197.082	389 262 0645	Output flange D.200	1		●				
23	197.081	389 262 0545	Output flange D.180	1	For model with VOITH Retarder	●				
23	197.080	389 262 0945	Output flange D.200	1	For model with VOITH Retarder	●				
24	197.085	387 264 1945	Output flange D.198	1	For model with TELMA retarder	●				
24	197.084	945 262 0445	Output flange D.200	1	For model with TELMA retarder	●				
25	101.123	389 269 1210	Oil pump shaft	1		●				
25	101.124	389 269 1310	Oil pump shaft	1	For model with VOITH Retarder	●				
26	280.587	389 260 0690	Oil pump	1	Old Type - Assembly	●				
27	130.538	004 981 9225	Bearing D.45x75x16	1		●				
28	189.607	945 269 0101	Oil pump cover	1	New Type - Disassembled	●				
29	111.208	029 997 5748	Ring	1	New Type - Disassembled	●				
30	189.606	389 269 1406	Oil pump gear	1	New Type - Disassembled	●				
31	189.605	389 269 0706	Oil pump hub	1	New Type - Disassembled	●				
32	189.604	389 269 3801	Oil pump housing	1	New Type - Disassembled	●				
33	141.162	389 265 2449	Slide	2		●				

Notes

Date

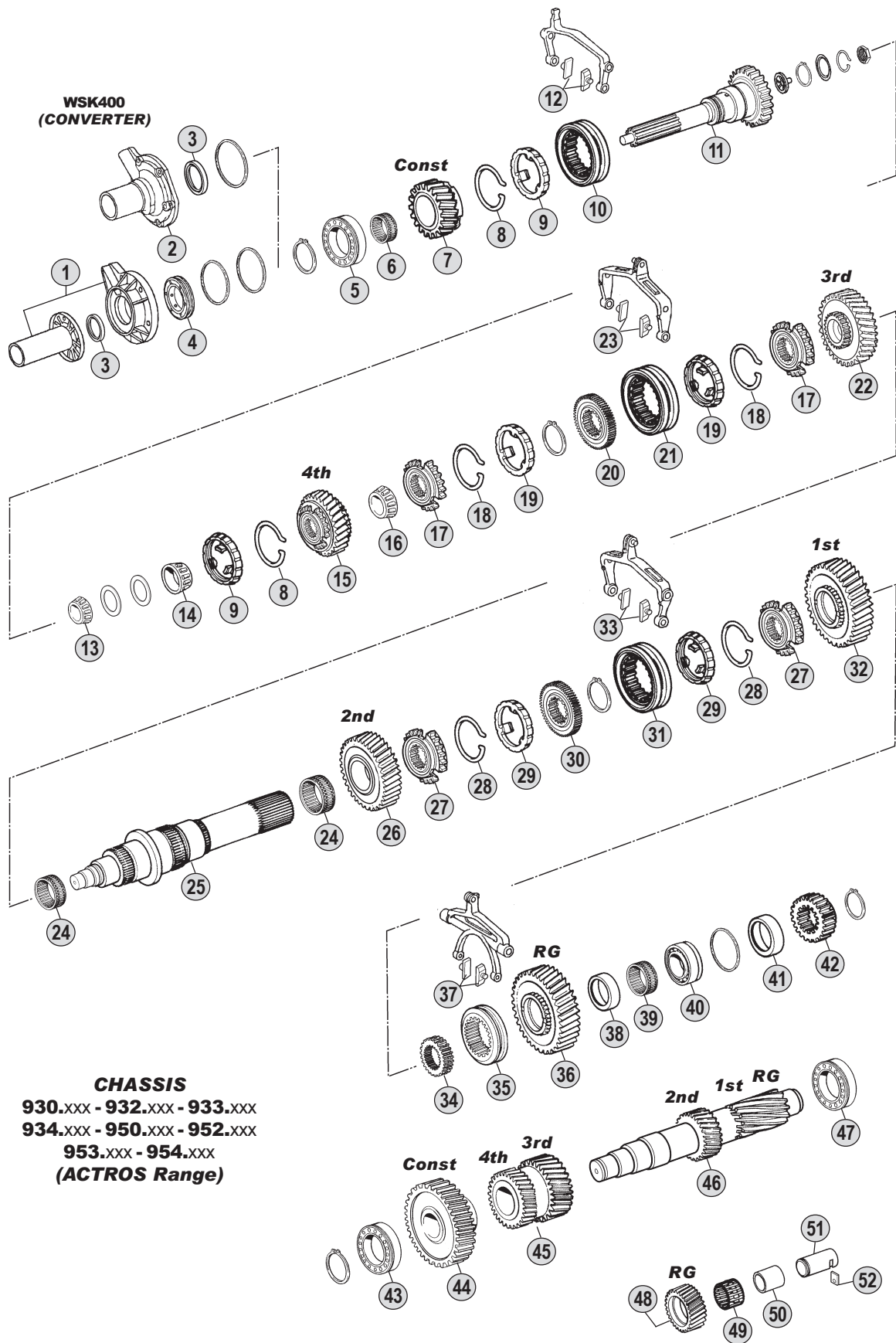
01 / 2004

Table

015 / B

All original equipment manufacturers' numbers, symbols, pictures, models and description used in this catalogue are for reference only, and it is not implied that any part listed is the product of these manufactures.
Tutti i nostri particolari non sono originali ma con essi intercambiabili. I riferimenti originali, le figure, i modelli sono esposti a semplice titolo indicativo. La nostra produzione riporta il nostro marchio.

Suitable To: MERCEDES



CHASSIS
 930.XXX - 932.XXX - 933.XXX
 934.XXX - 950.XXX - 952.XXX
 953.XXX - 954.XXX
(ACTROS Range)

All original equipment manufacturers' numbers, symbols, pictures, models and description used in this catalogue are for reference only, and it is not implied that any part listed is the product of these manufactures. Tutti i nostri particolari non sono originali ma con essi intercambiabili. I riferimenti originali, le figure, i modelli sono esposti a semplice titolo indicativo. La nostra produzione riporta il nostro marchio.

Models

G260 - 16 / 9,75 - 0,57 715.540



Fig.	CEI no.	MB no.	Description	Q.ty	Note					
1	135.134	945 261 1118	Front cover	1	Latest Models	●				
2	135.133	945 261 1218	Front cover	1	With WSK400 - Up to 6/99	●				
2	135.132	945 261 2818	Front cover	1	With WSK400 - From 6/99	●				
3	139.556	019 997 0547	Oil seal	1		●				
4	139.555	389 261 0665	Ring	1		●				
5	130.550	011 981 1305	Bearing	1		●				
6	137.188	016 981 0010	Needle cage	1		●				
7	145.619	945 262 4710	Constant gear 39 T	1		●				
8	111.204	387 262 1093	Spap ring	2		●				
9	119.112	389 262 0637	Synchronizer cone	2		●				
10	154.221	945 262 0323	Sliding sleeve	1		●				
11	102.274	389 262 8301	Input shaft	1		●				
11	102.273	945 262 4403	Input shaft	1	With WSK400	●				
11	102.285	945 262 1301	Input shaft	1	With NMV (Clutch PTO)	●				
12	141.165	389 265 2749	Slide	2		●				
13	130.558	015 981 1605	Bearing	1		●				
14	130.560	015 981 6105	Bearing	1		●				
15	145.588	389 262 7910	Gear 4th Speed 36 T	1		●				
16	130.559	015 981 6205	Bearing	1		●				
17	109.189	945 262 0534	Synchronizer flange	2		●				
18	111.205	387 262 0893	Spap ring	2		●				
19	119.161	389 262 0737	Synchronizer cone	2		●				
20	157.556	389 262 4735	Synchronizer hub	1		●				
21	154.220	945 262 0423	Sliding sleeve	1		●				
22	145.592	389 262 3713	Gear 3rd Speed 29 T	1		●				
23	141.165	389 265 2749	Slide	1		●				
24	137.177	018 981 6610	Needle cage	2		●				
25	103.149	945 262 3605	Main shaft	1		●				
26	145.615	389 262 2512	Gear 2nd Speed 39 T	1		●				
27	109.187	945 262 0434	Synchronizer flange	2		●				
28	111.205	387 262 0893	Spap ring	2		●				
29	119.161	389 262 0737	Synchronizer cone	2		●				
30	157.557	389 262 2535	Hub 1st-2nd Speed	1		●				
31	154.220	945 262 0423	Sliding sleeve	1		●				
32	145.616	389 262 2711	Gear 1st Speed 44 T	1		●				
33	141.165	389 265 2749	Slide	2		●				
34	157.603	389 262 0135	Hub	1	With Sleeve 389 262 1723	●				
34	157.606	389 262 3935	Hub	1	With Sleeve 389 262 1823	●				
35	154.224	389 262 1723	Sliding sleeve	1	With Rev. Gear 389 262 2033	●				
35	154.223	389 262 1823	Sliding sleeve	1	With Rev. Gear 389 262 2133	●				
36	147.161	389 262 2033	Reverse gear 40 T	1	With Sleeve 389 262 1723	●				
36	147.163	389 262 2133	Reverse gear 40 T	1	With Sleeve 389 262 1823	●				
37	141.160	945 265 0149	Slide	2		●				
38	117.327	389 262 1650	Bush	1		●				
39	137.187	009 981 1510	Needle cage	1		●				

Notes

Date

01 / 2004

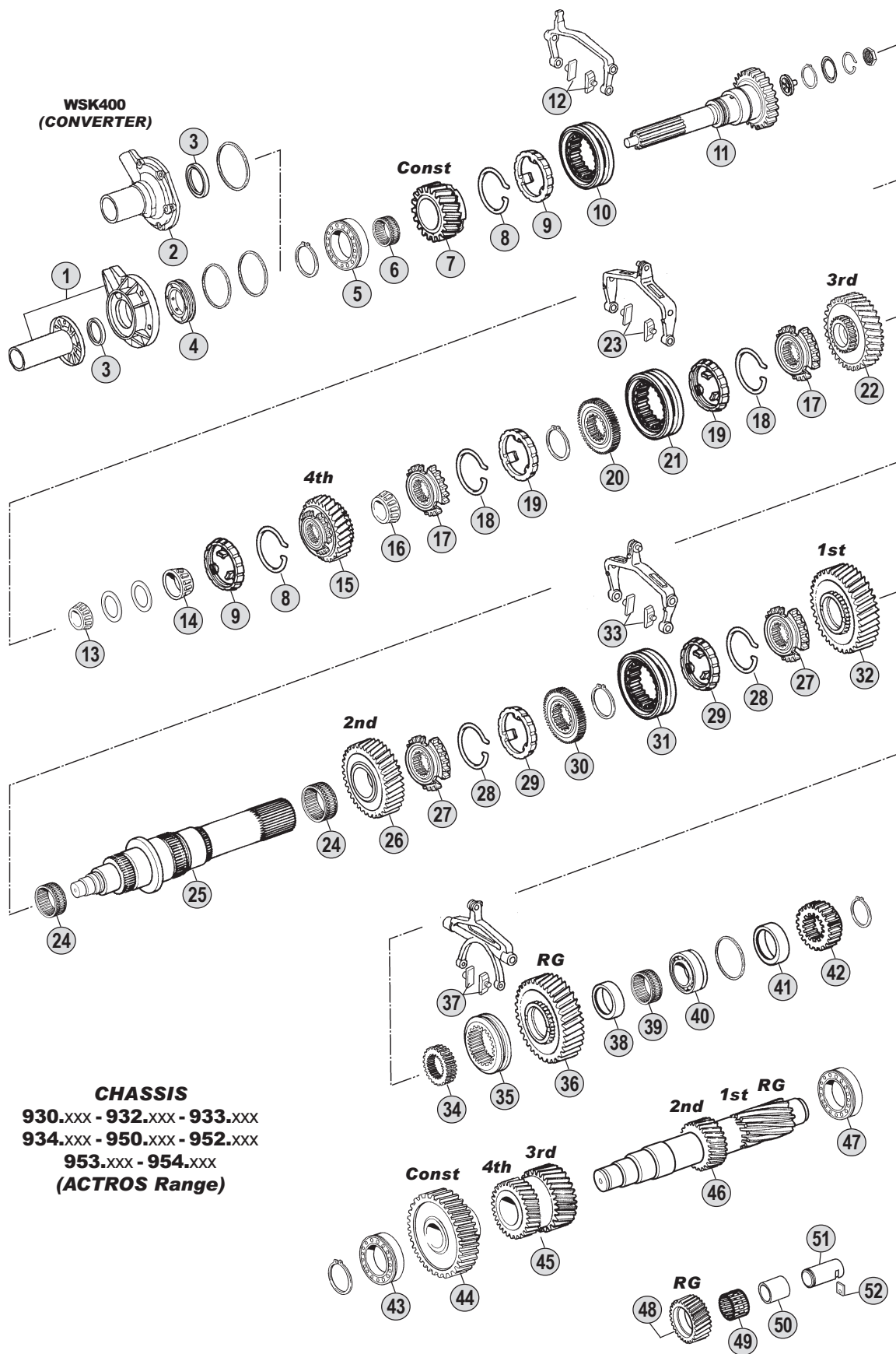
Table

016 / A

All original equipment manufacturers' numbers, symbols, pictures, models and description used in this catalogue are for reference only, and it is not implied that any part listed is the product of these manufactures.
Tutti i nostri particolari non sono originali ma con essi intercambiabili. I riferimenti originali, le figure, i modelli sono esposti a semplice titolo indicativo. La nostra produzione riporta il nostro marchio.

Suitable To: **MERCEDES**

Gearbox Models
G260 (16 Speeds)



CHASSIS
930.XXX - 932.XXX - 933.XXX
934.XXX - 950.XXX - 952.XXX
953.XXX - 954.XXX
(ACTROS Range)

All original equipment manufacturers' numbers, symbols, pictures, models and description used in this catalogue are for reference only, and it is not implied that any part listed is the product of these manufactures. Tutti i nostri particolari non sono originali ma con essi intercambiabili. I riferimenti originali, le figure, i modelli sono esposti a semplice titolo indicativo. La nostra produzione riporta il nostro marchio.

Models

G260 - 16 / 9,75 - 0,57 715.540



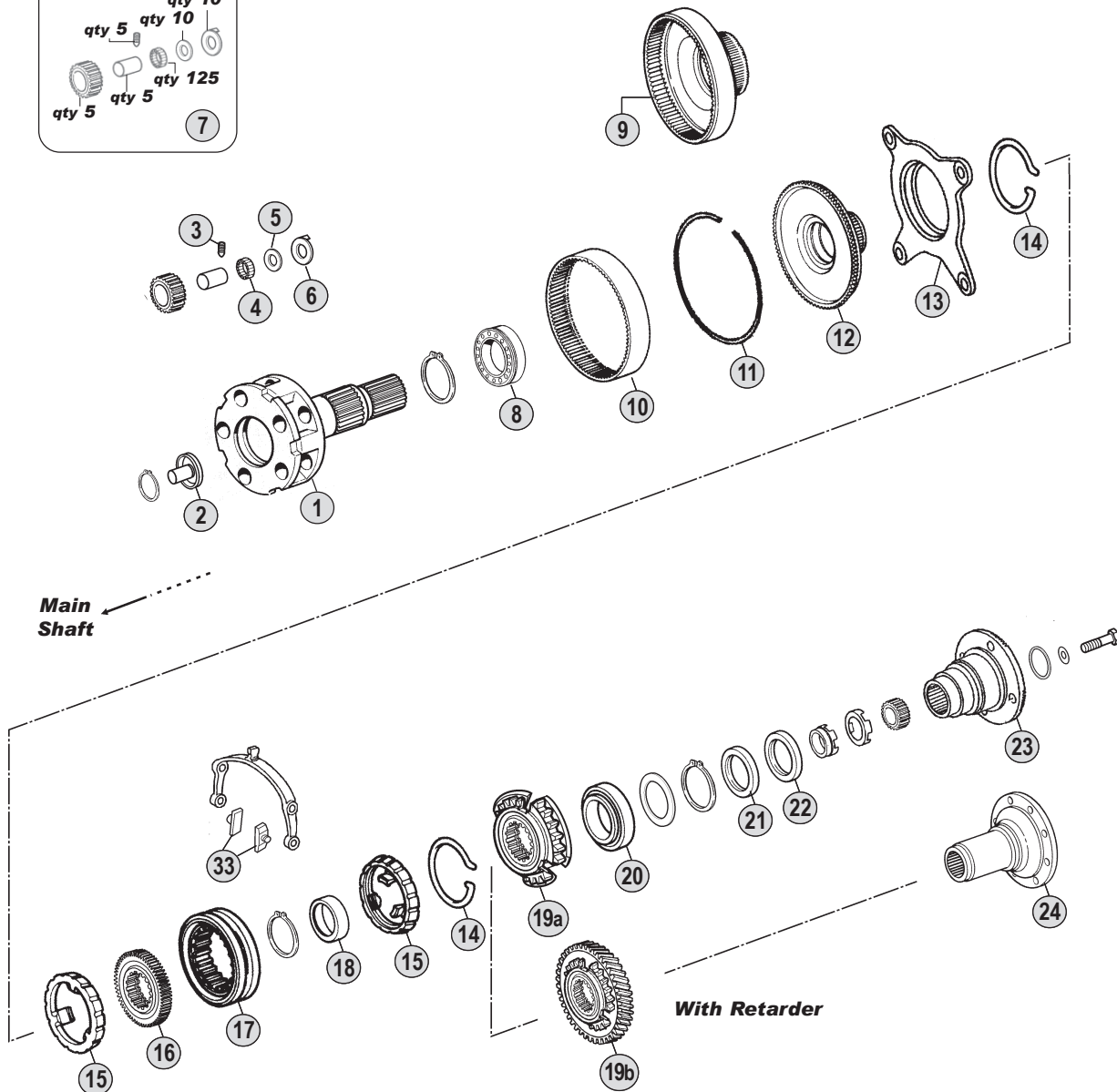
Suitable To: **MERCEDES**

Gearbox Models
G260 (16 Speeds)

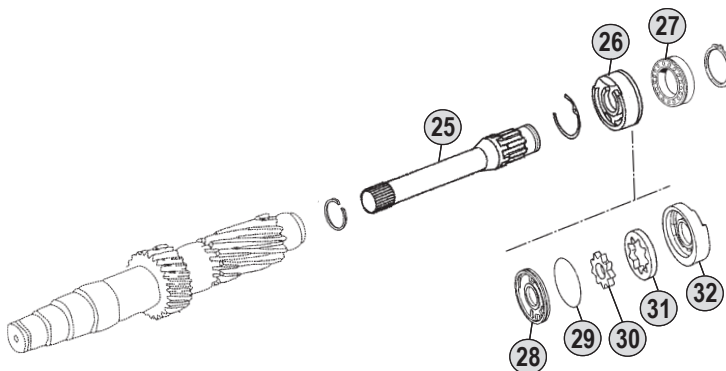
Kit

qty 5 qty 10
qty 5 qty 10
qty 5 qty 125

7



Oil Pump Shaft & Oil Pump



CHASSIS

- 930.XXX - 932.XXX - 933.XXX
- 934.XXX - 950.XXX - 952.XXX
- 953.XXX - 954.XXX
- (ACTROS Range)**

All original equipment manufacturers' numbers, symbols, pictures, models and description used in this catalogue are for reference only, and it is not implied that any part listed is the product of these manufactures. Tutti i nostri particolari non sono originali ma con essi intercambiabili. I riferimenti originali, le figure, i modelli sono esposti a semplice titolo indicativo. La nostra produzione riporta il nostro marchio.

Models

G260 - 16 / 9,75 - 0,57 715.540



Fig.	CEI no.	MB no.	Description	Q.ty	Note					
1	190.337	945 260 4461	Planet carrier	1	Empty	●				
1	190.338	945 260 4661	Planet carrier	1	Complete	●				
2	188.181	389 269 4734	Oil tube	1		●				
3	187.609	000914 006109	Stud 6x14 mm			●				
4	171.057	000 981 4186	Needle	125		●				
5	169.801	389 262 0162	Thrust washer	10		●				
6	169.803	389 262 1462	Thrust washer	10		●				
7	198.886	655 260 0197	Repair kit	1		●				
8	130.540	008 981 1325	Bearing D.90x130x14	1		●				
9	123.230	945 262 0108	Crown gear 85 T	1	ALT-1 pc. Fig.10+Fig.11+Fig.12	●				
10	123.232	945 262 0208	Crown gear 85 T	1	ALT-1 pc. Fig.9 (Crown assy)	●				
11	111.209	389 262 0773	Ring	1		●				
12	150.144	389 262 1425	Flange gear	1	ALT-1 pc. Fig.9 (Crown assy)	●				
13	198.879	389 260 2036	Synchronizer flange	1		●				
14	111.206	389 262 0293	Ring	2		●				
15	119.160	389 262 0537	Synchronizer cone	2		●				
16	155.204	389 262 2035	Synchronizer hub	1		●				
17	154.217	945 262 0823	Sliding sleeve	1		●				
18	117.322	389 262 0251	Spacer	1		●				
19a	109.337	389 262 9234	Synchronizer cone	1		●				
19b	109.342	389 264 0730	Synchronizer flange	1	For model with VOITH Retarder	●				
19b	109.341	945 264 0220	Synchronizer flange	1	For model with VOITH Ret. (1)	●				
20	130.564	008 981 3025	Bearing D.80x150x28	1		●				
20	130.563	007 981 8201	Bearing	1	For model with TELMA retarder	●				
21	139.551	013 997 7247	Oil seal	1		●				
21	139.552	013 997 7347	Oil seal	1	For model with VOITH Retarder	●				
21	139.557	015 997 6447	Oil seal	1	For model with TELMA retarder	●				
22	139.552	013 997 7347	Oil seal	1		●				
21	139.558	017 997 1247	Oil seal	1	For model with TELMA retarder	●				
23	197.083	945 262 0045	Output flange D.180	1		●				
23	197.082	389 262 0645	Output flange D.200	1		●				
23	197.081	389 262 0545	Output flange D.180	1	For model with VOITH Retarder	●				
23	197.080	389 262 0945	Output flange D.200	1	For model with VOITH Retarder	●				
24	197.085	387 264 1945	Output flange D.198	1	For model with TELMA retarder	●				
24	197.084	945 262 0445	Output flange D.200	1	For model with TELMA retarder	●				
25	101.123	389 269 1210	Oil pump shaft	1		●				
25	101.124	389 269 1310	Oil pump shaft	1	For model with VOITH Retarder	●				
26	280.587	389 260 0690	Oil pump	1	Old Type - Assembly	●				
27	130.538	004 981 9225	Bearing D.45x75x16	1		●				
28	189.607	945 269 0101	Oil pump cover	1	New Type - Disassembled	●				
29	111.208	029 997 5748	Ring	1	New Type - Disassembled	●				
30	189.606	389 269 1406	Oil pump gear	1	New Type - Disassembled	●				
31	189.605	389 269 0706	Oil pump hub	1	New Type - Disassembled	●				
32	189.604	389 269 3801	Oil pump housing	1	New Type - Disassembled	●				
33	141.162	389 265 2449	Slide	2		●				

Notes

(1) Retarder Reduced Version

Date

01 / 2004

Table

016 / B

All original equipment manufacturers' numbers, symbols, pictures and description used in this catalogue are for reference only, and it is not implied that any part listed is the product of these manufactures.
Tutti i nostri particolari non sono originali ma con essi intercambiabili. I riferimenti originali, le figure, i modelli sono esposti a semplice titolo indicativo. La nostra produzione riporta il nostro marchio.

MERCEDES Index

MB no.	CEI no.	Tab.	Fig.	MB no.	CEI no.	Tab.	Fig.	MB no.	CEI no.	Tab.	Fig.
389 260 8408	See 945 262 1610			945 260 4661	190.338	016B	1	387 261 2618		005	1
389 260 8908		013A	18	389 260 0590	See 389 260 0690			387 261 2718	135.140	002	1
389 260 4919	145.614	013A	34	389 260 0690	280.587	008B	22	387 261 2918	135.138	002	1
389 260 5719	145.590	013A	29	389 260 0690	280.587	009B	26	387 261 2918	135.138	005	1
387 260 6420	190.248	006	10	389 260 0690	280.587	010B	22	387 261 2918	135.138	007	1
389 260 0936	198.882	008B	10	389 260 0690	280.587	011B	22	387 261 2918	135.138	007	1
389 260 0936	198.882	010B	10	389 260 0690	280.587	012B	24	389 261 0018	135.139	002	1
389 260 0936	198.882	011B	10	389 260 0690	280.587	013B	26	389 261 0018	135.139	002	1
389 260 2036	198.879	008B	10	389 260 0690	280.587	014B	26	389 261 0018	135.139	005	1
389 260 2036	198.879	009B	13	389 260 0690	280.587	015B	26	389 261 0018	135.139	007	1
389 260 2036	198.879	010B	10	389 260 0690	280.587	016B	26	389 261 0018	135.139	007	1
389 260 2036	198.879	011B	10	389 260 0197	198.880	010B	7	389 261 3318	135.131	008A	1
389 260 2036	198.879	012B	12	389 260 0297	198.884	008B	7	389 261 3318	135.131	010A	1
389 260 2036	198.879	013B	13	389 260 0297	198.884	011B	7	389 261 3318	135.131	010A	1
389 260 2036	198.879	014B	13	389 260 0397	198.881	010B	7	389 261 3318	135.131	011A	1
389 260 2036	198.879	015B	13	389 260 0497	198.883	008B	7	389 261 3318	135.131	012A	1
389 260 2036	198.879	016B	13	389 260 0497	198.883	011B	7	389 261 3418	See 389 261 4418		
389 260 0661	190.336	008B	1	389 260 0497	198.883	012B	7	389 261 3718		012A	2
389 260 0661	190.336	011B	1	655 260 0097	198.885	013B	7	389 261 4318	135.144	004	1
389 260 0761		010B	1	655 260 0197	198.886	013B	7	389 261 4418	135.130	010A	1
389 260 1361	See 389 260 8961			655 260 0197	198.886	013B	7	389 261 4518	135.135	013A	1
389 260 2761	See 389 260 7861			655 260 0197	198.886	014B	7	389 261 4818	See 945 261 1218		
389 260 7661	See 389 260 8961			655 260 0197	198.886	015B	7	945 261 0118	See 945 261 1118		
389 260 7861	190.334	010B	1	655 260 0197	198.886	016B	7	945 261 0818	See 945 261 1118		
389 260 8661		013B	1	945 260 0197	198.887	009B	7	945 261 1118	135.134	009A	1
389 260 8961	190.335	008B	1	387 261 0518		001	1	945 261 1118	135.134	013A	2
389 260 8961	190.335	011B	1	387 261 2018	135.145	002	1	945 261 1118	135.134	014A	1
389 260 8961	190.335	012B	1	387 261 2018	135.145	005	1	945 261 1118	135.134	015A	1
389 260 9061	See 389 260 8961			387 261 2018	135.145	006	1	945 261 1118	135.134	016A	1
945 260 0261	See 945 260 4661			387 261 2118	See 387 261 2518			945 261 1218	135.133	013A	4
945 260 0361	See 945 260 4661			387 261 2218	135.137	001	1	945 261 1218	135.133	016A	2
945 260 0561	See 945 260 4661			387 261 2218	135.137	002	1	945 261 2818	135.132	013A	4
945 260 1761	See 945 260 4661			387 261 2218	135.137	002	1	945 261 2818	135.132	016A	2
945 260 1961	190.339	009B	1	387 261 2218	135.137	002	1	389 261 0665	139.555	004	3
945 260 2061	See 945 260 1961			387 261 2218	135.137	003	1	389 261 0665	139.555	009A	3
945 260 4461	190.337	013B	1	387 261 2218	135.137	005	1	389 261 0665	139.555	013A	6
945 260 4461	190.337	014B	1	387 261 2218	135.137	007	1	389 261 0665	139.555	014A	5
945 260 4461	190.337	015B	1	387 261 2218	135.137	007	1	389 261 0665	139.555	015A	5
945 260 4461	190.337	016B	1	387 261 2318	135.143	003	1	389 261 0665	139.555	016A	4
945 260 4561	See 945 260 4461			387 261 2418	135.141	002	1	387 262 1301	102.312	007	3
945 260 4661	190.338	013B	1	387 261 2418	135.141	005	1	387 262 1301	102.312	007	3
945 260 4661	190.338	014B	1	387 261 2418	135.141	006	1	387 262 1501	102.314	007	3
945 260 4661	190.338	015B	1	387 261 2518	135.142	002	1	387 262 1501	102.314	007	3

Date

01 / 2004

Table

Index

Index MERCEDES

MB no.	CEI no.	Tab.	Fig.	MB no.	CEI no.	Tab.	Fig.	MB no.	CEI no.	Tab.	Fig.
387 262 1801	102.313	007	3	387 262 4502	102.302	003	4	387 262 2105	103.154	007	36
387 262 1801	102.313	007	3	387 262 4602	102.309	005	4	387 262 2405	103.155	001	26
389 262 1201		011A	9	387 262 5202	102.310	005	4	387 262 2405	103.155	002	26
389 262 1501	102.265	010A	9	387 262 6002	102.299	002	4	387 262 2405	103.155	003	25
389 262 2001	102.267	010A	9	387 262 6102	102.306	005	4	387 262 2405	103.155	007	36
389 262 2001	102.267	010A	9	387 262 6202	102.205	003	4	389 262 1205	See 389 262 1505		
389 262 2901	102.271	011A	9	387 262 6302	102.303	003	4	389 262 1305	103.147	008A	13
389 262 2901	102.271	012A	10	387 262 6402	102.298	002	4	389 262 1505	103.148	011A	27
389 262 3101	102.272	012A	10	387 262 6702	102.301	002	4	389 262 1505	103.148	012A	26
389 262 3701	102.270	011A	9	387 262 6802	102.307	005	4	389 262 1605	103.145	010A	21
389 262 3901	102.266	010A	9	387 262 7202	102.297	002	4	389 262 1705	103.159	004	30
389 262 4201	102.268	010A	9	387 262 7502	102.308	005	4	389 262 2005	103.146	010A	21
389 262 4201	102.268	010A	9	387 262 7602	102.296	002	4	389 262 2405	103.150	013A	33
389 262 5601	102.283	013A	13	387 262 7702	102.304	005	4	389 262 2505	103.160	004	30
389 262 6201	See 389 262 8201			389 262 3102	102.263	004	5	389 262 2705	See 945 262 3605		
389 262 6301	See 389 262 8301			389 262 3502	102.269	008A	4	945 262 1105	See 945 262 3605		
389 262 6501	102.276	013A	13	652 262 0002	102.305	005	4	945 262 1205	103.151	009A	26
389 262 6601	102.284	013A	13	656 262 0202		004	5	945 262 1405	See 945 262 3605		
389 262 7601	102.290	015A	13	945 262 1502	See 945 262 1602			945 262 1505	See 945 262 3605		
389 262 7901	102.278	014A	13	945 262 1602	102.286	009A	5	945 262 1605	See 945 262 3605		
389 262 7901	102.278	015A	13	945 262 1702	See 945 262 1602			945 262 1705	See 945 262 3605		
389 262 8201	102.275	013A	13	945 262 1802	See 945 262 1602			945 262 1905	See 945 262 3605		
389 262 8301	102.274	013A	13	945 262 2602	102.288	009A	5	945 262 3605	103.149	013A	33
389 262 8301	102.274	016A	11	945 262 2702	See 945 262 2602			945 262 3605	103.149	014A	26
945 262 1001	See 945 262 4403			945 262 2902	See 945 262 2602			945 262 3605	103.149	015A	26
945 262 1301	102.285	016A	11	945 262 3002	See 945 262 2602			945 262 3605	103.149	016A	25
945 262 1801	See 945 262 3201			945 262 3102	See 945 262 2602			389 262 0208	123.228	008B	9
945 262 1901	102.279	014A	13	945 262 3202	See 945 262 2602			389 262 0208	123.228	011B	9
945 262 2401	102.277	013A	13	945 262 4202	102.289	009A	5	389 262 0308	123.227	010B	9
945 262 3201	102.282	014A	13	945 262 4902	102.287	009A	5	389 262 0408	123.229	012B	9
945 262 3201	102.282	015A	13	945 262 4403	102.273	013A	13	389 262 0608	123.231	013B	9
945 262 3601	See 945 262 2401			945 262 4403	102.273	016A	11	945 262 0108	123.230	009B	9
945 262 3701	See 945 262 1301			387 262 0905	103.144	006	37	945 262 0108	123.230	013B	9
945 262 5401	102.281	014A	13	387 262 1705	103.158	002	26	945 262 0108	123.230	013B	9
945 262 6701	102.280	014A	13	387 262 1805	103.161	005	24	945 262 0108	123.230	014B	9
387 262 2202	102.311	007	15	387 262 1905	103.157	005	24	945 262 0108	123.230	015B	9
387 262 2402	102.315	007	15	387 262 2005	103.153	001	26	945 262 0108	123.230	016B	9
387 262 4002	102.295	002	4	387 262 2005	103.153	002	26	945 262 0208	123.232	009B	10
387 262 4202	102.292	001	4	387 262 2005	103.153	003	25	945 262 0208	123.232	013B	10
387 262 4202	102.292	002	4	387 262 2005	103.153	007	36	945 262 0208	123.232	013B	10
387 262 4302	102.300	002	4	387 262 2105	103.154	001	26	945 262 0208	123.232	014B	10
387 262 4402	102.293	001	4	387 262 2105	103.154	002	26	945 262 0208	123.232	015B	10
387 262 4402	102.293	002	4	387 262 2105	103.154	003	25	945 262 0208	123.232	016B	10

All original equipment manufacturers numbers, symbols, pictures, models and description used in this catalogue are for reference only, and it is not implied that any part listed is the product of these manufacturers. Tutti i nostri particolari non sono originali ma con essi intercambiabili. I riferimenti originali, le figure, i modelli sono esposti a semplice titolo indicativo. La nostra produzione riporta il nostro marchio.

MERCEDES Index

MB no.	CEI no.	Tab.	Fig.	MB no.	CEI no.	Tab.	Fig.	MB no.	CEI no.	Tab.	Fig.
389 262 0109	157.558	010A	40	389 262 7910	145.588	013A	19	387 262 3011	145.639	002	33
389 262 0209	157.212	008A	38	389 262 7910	145.588	016A	15	387 262 3011	145.639	006	44
389 262 0209	157.212	011A	44	389 262 8610	145.585	013A	18	389 262 0211	145.605	008A	33
389 262 0209	157.212	012A	43	389 262 8710	See 389 262 8610			389 262 0411	145.609	011A	34
389 262 0309	157.559	010A	40	945 262 0010	See 945 262 1610			389 262 0711	See 389 262 0411		
389 262 0409	157.600	008A	38	945 262 0210	See 945 262 4710			389 262 1411	145.597	010A	29
389 262 0409	157.600	011A	44	945 262 0510	145.586	013A	18	389 262 1511	See 389 262 1611		
389 262 0509	157.604	013A	52	945 262 0510	145.586	014A	17	389 262 1611	145.606	011A	34
389 262 0809	157.605	013A	52	945 262 1110	See 945 262 1610			389 262 1611	145.606	012A	33
389 262 0809	157.605	013A	52	945 262 1210	See 945 262 1610			389 262 1711	145.601	008A	23
389 262 0809	157.605	014A	42	945 262 1410	See 945 262 4510			389 262 1911	145.694	004	38
389 262 0809	157.605	015A	42	945 262 1510	See 945 262 1610			389 262 2011	See 389 262 2711		
389 262 0809	157.605	016A	42	945 262 1610	145.584	013A	9	389 262 2711	145.616	013A	42
389 262 0909	See 389 262 0809			945 262 2310	145.623	014A	17	389 262 2711	145.616	014A	33
945 262 0109	157.608	009A	36	945 262 2310	145.623	015A	17	389 262 2711	145.616	015A	33
945 262 0209	See 945 262 0109			945 262 2510	See 945 262 4710			389 262 2711	145.616	016A	32
387 262 0010	145.692	007	4	945 262 2610	See 945 262 0510			945 262 0511	145.622	009A	28
387 262 0110	145.690	006	3	945 262 2810	See 389 262 7910			945 262 0611	See 945 262 0511		
387 262 0710	145.565	006	15	945 262 2910	See 945 262 4510			945 262 0811	See 389 262 2711		
389 262 0210	See 389 262 1110			945 262 4310	See 945 262 4510			945 262 0911	See 945 262 0511		
389 262 0910	See 389 262 2810			945 262 4510	145.618	014A	8	945 262 1111	145.621	009A	28
389 262 1010	See 389 262 2910			945 262 4510	145.618	015A	8	945 262 1211	See 945 262 1111		
389 262 1110	145.613	011A	15	945 262 4710	145.619	016A	7	945 262 1311	See 945 262 1111		
389 262 1210	145.593	010A	5	387 262 0211	145.638	002	33	945 262 2711	145.600	009A	23
389 262 1410	145.594	010A	5	387 262 0211	145.638	007	43	945 262 2811	See 945 262 2711		
389 262 1510	See 389 262 5410			387 262 0411	145.428	002	33	945 262 2911	See 945 262 2711		
389 262 1610	See 389 262 3710			387 262 0411	145.428	006	44	387 262 0212	145.627	001	28
389 262 1710	See 389 262 3710			387 262 0911	145.647	002	33	387 262 0212	145.627	002	28
389 262 2210	145.579	011A	5	387 262 0911	145.647	007	43	387 262 0212	145.627	007	38
389 262 2310	See 389 262 5510			387 262 1111	See 387 262 1911			387 262 0412	145.429	002	28
389 262 2810	145.607	011A	5	387 262 1511	145.686	005	34	387 262 0412	145.429	006	39
389 262 2910	145.608	011A	5	387 262 1811	145.677	005	34	387 262 0812	145.636	001	28
389 262 3010	See 389 262 2810			387 262 1911	145.662	003	32	387 262 0812	145.636	002	28
389 262 3710	145.580	011A	15	387 262 2011	145.653	002	33	387 262 0812	145.636	007	38
389 262 3810	145.587	013A	19	387 262 2011	145.653	003	32	387 262 1912	145.668	005	31
389 262 3910	See 945 262 4710			387 262 2211	145.678	005	34	387 262 2412	145.682	005	31
389 262 5410	145.598	010A	15	387 262 2511	145.657	002	33	387 262 2512	See 387 262 2412		
389 262 5510	145.581	011A	15	387 262 2511	145.657	007	43	387 262 2612	145.660	003	27
389 262 5610	145.582	011A	15	387 262 2611	145.648	002	33	387 262 2712	145.651	002	28
389 262 5610	145.582	012A	16	387 262 2611	145.648	007	43	387 262 2712	145.651	003	27
389 262 6310	See 945 262 1610			387 262 2811	145.663	003	32	387 262 2912	145.676	005	31
389 262 7710	145.558	011A	5	387 262 2911	145.654	002	33	387 262 3212	145.626	001	28
389 262 7710	145.558	012A	6	387 262 2911	145.654	003	32	387 262 3212	145.626	002	28

Date

01 / 2004

Table

Index

Index **MERCEDES**

MB no.	CEI no.	Tab.	Fig.	MB no.	CEI no.	Tab.	Fig.	MB no.	CEI no.	Tab.	Fig.
387 262 3212	145.626	007	38	387 262 4213	See 387 262 5313			387 262 3514	145.628	002	16
387 262 3312	145.640	002	28	387 262 4313	145.642	002	23	387 262 3514	145.628	007	26
387 262 3312	145.640	006	39	387 262 4413	145.631	001	23	387 262 3614	See 387 262 3714		
387 262 3412	145.635	001	28	387 262 4413	145.631	002	23	387 262 3714	145.644	002	16
387 262 3412	145.635	002	28	387 262 4413	145.631	007	33	387 262 3714	145.644	003	15
387 262 3412	145.635	007	38	387 262 4613	145.688	006	34	387 262 3814	145.633	001	16
387 262 3712	145.683	005	31	387 262 4813	145.659	003	22	387 262 3814	145.633	002	16
387 262 3812	145.661	003	27	387 262 4913	145.650	002	23	387 262 3814	145.633	007	26
387 262 3912	145.652	002	28	387 262 4913	145.650	003	22	387 262 4014	145.568	003	15
387 262 3912	145.652	003	27	387 262 5013	145.673	005	26	387 262 4114	145.691	006	27
387 262 4012	145.675	005	31	387 262 5113	145.685	005	26	387 262 4214	145.681	005	22
389 262 0012	See 389 262 0312			387 262 5313	145.629	001	23	387 262 4414	145.672	005	22
389 262 0312	145.611	011A	28	387 262 5313	145.629	002	23	387 262 4514	145.693	007	26
389 262 0912	145.665	004	31	387 262 5313	145.629	007	33	389 262 0114	See 389 262 0914		
389 262 1112	145.596	010A	23	389 262 0013	See 389 262 0313			389 262 0214	See 389 262 0914		
389 262 1212	See 389 262 1312			389 262 0313	145.612	011A	22	389 262 0414	See 389 262 0914		
389 262 1312	145.610	011A	28	389 262 0713	145.599	010A	18	389 262 0914	145.569	004	20
389 262 1312	145.610	012A	27	389 262 1013	145.603	008A	11	387 262 0115	145.649	002	12
389 262 1412	145.602	008A	15	389 262 1413	196.271	011A	22	387 262 0515	145.689	006	23
389 262 2112	See 389 260 4919			389 262 1813	145.589	013A	29	387 262 1215	See 387 262 2615		
389 262 2512	145.615	013A	35	389 262 2113	145.583	011A	23	387 262 1315	See 387 262 1815		
389 262 2512	145.615	014A	27	389 262 2113	145.583	012A	23	387 262 1815	145.679	005	15
389 262 2512	145.615	015A	27	389 262 2413	See 389 262 3313			387 262 2015	145.637	001	13
389 262 2512	145.615	016A	26	389 262 2713	145.664	004	27	387 262 2015	145.637	002	12
945 262 0412	145.604	009A	16	389 262 3013	See 389 262 3713			387 262 2015	145.637	007	23
945 262 0512	See 945 262 0412			389 262 3313	145.666	004	27	387 262 2215	145.645	002	12
945 262 0712	See 389 262 2512			389 262 3713	145.592	013A	30	387 262 2215	145.645	003	12
945 262 0812	See 389 262 2512			389 262 3713	145.592	016A	22	387 262 2315	145.634	001	13
945 262 0912	See 945 262 0412			945 262 0213	See 945 262 3513			387 262 2315	145.634	002	12
387 262 0813	145.630	001	23	945 262 0813	See 945 262 3513			387 262 2315	145.634	007	23
387 262 0813	145.630	002	23	945 262 1313	145.620	009A	12	387 262 2515	145.430	003	12
387 262 0813	145.630	007	33	945 262 1413	See 945 262 1313			387 262 2615	145.669	005	15
387 262 1613	145.641	002	23	945 262 1713	See 389 262 3713			389 262 0215	145.567	004	15
387 262 1813	145.632	001	23	945 262 1813	See 945 262 3513			389 262 1215	See 389 262 0215		
387 262 1813	145.632	002	23	945 262 1913	See 945 262 1313			387 262 0316	145.671	005	12
387 262 1813	145.632	007	33	945 262 3513	145.591	015A	23	387 262 0416	145.667	005	12
387 262 2713	145.687	006	34	945 262 3513	145.591	013A	30	389 262 4918		012A	2
387 262 3113	145.674	005	26	945 262 3513	145.591	014A	23	387 262 0023	154.229	001	34
387 262 3513	See 387 262 3613			387 262 1014	See 387 262 3414			387 262 0023	154.229	002	36
387 262 3613	145.684	005	26	387 262 2514	145.680	005	22	387 262 0023	154.229	003	35
387 262 3713	145.658	003	22	387 262 2814	145.670	005	22	387 262 0023	154.229	003	35
387 262 3813	145.646	002	23	387 262 3414	145.643	002	16	387 262 0023	154.229	006	46
387 262 3813	145.646	003	22	387 262 3514	145.628	001	16	387 262 0023	154.229	007	46

All original equipment manufacturers numbers, symbols, pictures, models and description used in this catalogue are for reference only, and it is not implied that any part listed is the product of these manufacturers. Tutti i nostri particolari non sono originali ma con essi intercambiabili. I riferimenti originali, le figure, i modelli sono esposti a semplice titolo indicativo. La nostra produzione riporta il nostro marchio.

INDEX
MERCEDES Progression

Date

01 / 2004

Table

Index

MERCEDES Index

MB no.	CEI no.	Tab.	Fig.	MB no.	CEI no.	Tab.	Fig.	MB no.	CEI no.	Tab.	Fig.
387 262 0323	154.305	005	38	389 262 0723	See 389 262 2923			389 262 3023	154.214	012A	9
387 262 0523	See 387 262 1523			389 262 0923	See 389 262 1823			389 262 3823	See 945 262 0823		
387 262 0623	154.216	001	32	389 262 1223	See 945 262 0423			945 262 0323	154.221	004	13
387 262 0623	154.216	002	32	389 262 1323	See 945 262 0323			945 262 0323	154.221	004	26
387 262 0623	154.216	003	31	389 262 1523	154.222	008B	14	945 262 0323	154.221	009A	11
387 262 0623	154.216	005	30	389 262 1523	154.222	010B	14	945 262 0323	154.221	013A	12
387 262 0623	154.216	006	43	389 262 1523	154.222	011B	14	945 262 0323	154.221	013A	28
387 262 0623	154.216	007	42	389 262 1623	See 945 262 0823			945 262 0323	154.221	014A	12
387 262 0623	154.216	010A	28	389 262 1723	154.224	004	41	945 262 0323	154.221	015A	12
387 262 0623	154.216	011A	33	389 262 1723	154.224	010A	33	945 262 0323	154.221	016A	10
387 262 0923		003	35	389 262 1723	154.224	011A	37	945 262 0423	154.220	004	36
387 262 1323	154.301	001	32	389 262 1723	154.224	011A	37	945 262 0423	154.220	009A	21
387 262 1323	154.301	002	32	389 262 1723	154.224	012A	36	945 262 0423	154.220	013A	28
387 262 1323	154.301	003	31	389 262 1723	154.224	013A	45	945 262 0423	154.220	013A	40
387 262 1323	154.301	005	30	389 262 1723	154.224	014A	36	945 262 0423	154.220	014A	22
387 262 1323	154.301	006	43	389 262 1723	154.224	015A	36	945 262 0423	154.220	014A	32
387 262 1323	154.301	007	42	389 262 1723	154.224	016A	35	945 262 0423	154.220	015A	22
387 262 1423	154.302	001	22	389 262 1823	154.223	004	41	945 262 0423	154.220	015A	32
387 262 1423	154.302	002	22	389 262 1823	154.223	008A	28	945 262 0423	154.220	016A	21
387 262 1423	154.302	003	21	389 262 1823	154.223	010A	33	945 262 0423	154.220	016A	31
387 262 1423	154.302	005	21	389 262 1823	154.223	011A	37	945 262 0623	See 945 262 0323		
387 262 1423	154.302	006	33	389 262 1823	154.223	011A	37	945 262 0823	154.217	008B	14
387 262 1423	154.302	007	32	389 262 1823	154.223	012A	36	945 262 0823	154.217	009B	17
387 262 1523	154.215	001	10	389 262 1823	154.223	013A	45	945 262 0823	154.217	010B	14
387 262 1523	154.215	001	22	389 262 1823	154.223	014A	36	945 262 0823	154.217	011B	14
387 262 1523	154.215	002	10	389 262 1823	154.223	015A	36	945 262 0823	154.217	012B	16
387 262 1523	154.215	002	22	389 262 1823	154.223	016A	35	945 262 0823	154.217	013B	17
387 262 1523	154.215	003	10	389 262 2023	154.303	004	13	945 262 0823	154.217	014B	17
387 262 1523	154.215	003	21	389 262 2023	154.303	004	26	945 262 0823	154.217	015B	17
387 262 1523	154.215	005	10	389 262 2123	154.304	004	36	945 262 0823	154.217	016B	17
387 262 1523	154.215	005	21	389 262 2223	See 389 262 3023			945 262 2023	154.228	009A	29
387 262 1523	154.215	006	8	389 262 2623	See 945 262 0423			945 262 2123	154.227	009A	29
387 262 1523	154.215	006	21	389 262 2723	See 945 262 0323			389 262 0525	150.143	012B	11
387 262 1523	154.215	006	33	389 262 2923	154.213	008A	20	389 262 1425	150.144	009B	12
387 262 1523	154.215	007	10	389 262 2923	154.213	010A	28	389 262 1425	150.144	013B	12
387 262 1523	154.215	007	21	389 262 2923	154.213	011A	21	389 262 1425	150.144	013B	12
387 262 1523	154.215	007	32	389 262 2923	154.213	011A	33	389 262 1425	150.144	014B	12
387 262 1523	154.215	011A	8	389 262 2923	154.213	012A	22	389 262 1425	150.144	015B	12
387 262 1523	154.215	011A	21	389 262 2923	154.213	012A	32	389 262 1425	150.144	016B	12
389 262 0023	See 389 262 1723			389 262 3023	154.214	008A	10	387 262 4131	See 387 262 4534		
389 262 0123	See 389 262 1523			389 262 3023	154.214	010A	8	387 262 0033	147.173	001	39
389 262 0223	154.225	008A	26	389 262 3023	154.214	011A	8	387 262 0033	147.173	002	40
389 262 0623	See 389 262 3023			389 262 3023	154.214	011A	21	387 262 0033	147.173	007	50

Date

01 / 2004

Table

Index

Index **MERCEDES**

MB no.	CEI no.	Tab.	Fig.	MB no.	CEI no.	Tab.	Fig.	MB no.	CEI no.	Tab.	Fig.
387 262 0233	147.172	001	39	945 262 1233	See 945 262 1033			389 262 4034	109.188	011B	16a
387 262 0233	147.172	002	40	387 262 0734	See 387 262 5034			389 262 4034	109.188	012B	18a
387 262 0233	147.172	007	50	387 262 0834	See 389 262 5634			389 262 4434	109.336	013B	19a
387 262 0433	147.189	005	40	387 262 1034	See 387 262 4934			389 262 4734	See 389 260 4919		
387 262 0533	147.175	002	40	387 262 2534	109.330	006	22	389 262 5034	See 945 262 0534		
387 262 0533	147.175	006	50	387 262 2734	See 387 262 4534			389 262 5334	109.329	004	14
387 262 0733	147.186	005	40	387 262 2834	See 387 262 5234			389 262 5334	109.329	013A	20
387 262 0833	147.178	003	39	387 262 2934	109.331	006	5	389 262 5334	109.329	013A	21
387 262 0933	145.656	002	40	387 262 3034	109.128	006	12	389 262 5334	See 945 262 4034		
387 262 1033	147.170	001	39	387 262 3134	See 387 262 5134			389 262 5434	See 945 262 0334		
387 262 1033	147.170	002	40	387 262 3234	109.332	007	6	389 262 5634	109.131	001	11
387 262 1033	147.170	007	50	387 262 3634	109.354	007	11	389 262 5634	109.131	002	11
387 262 1133	147.179	003	39	387 262 3934	See 387 262 5334			389 262 5634	109.131	002	18
387 262 1233	147.176	003	39	387 262 4534	109.130	001	18	389 262 5634	109.131	003	11
387 262 1433	147.185	005	40	387 262 4534	109.130	002	18	389 262 5634	109.131	006	29
387 262 1533	145.655	002	40	387 262 4534	109.130	003	17	389 262 5634	109.131	007	22
387 262 1633	147.177	003	39	387 262 4534	109.130	005	17	389 262 5634	109.131	008A	6
387 262 1733	147.184	005	40	387 262 4534	109.130	007	28	389 262 5634	109.131	010A	13
389 262 0033	See 389 262 0333			387 262 4834	109.343	001	18	389 262 5634	109.131	011A	13
389 262 0333	147.159	011A	38	387 262 4834	109.343	002	18	389 262 5634	109.131	011A	17
389 262 0333	147.159	011A	38	387 262 4834	109.343	003	17	389 262 5634	109.131	012A	14
389 262 0333	147.159	012A	37	387 262 4834	109.343	005	17	389 262 5734	See 945 262 5034		
389 262 0533	147.156	008A	27	387 262 4834	109.343	007	28	389 262 5934	109.347	002	18
389 262 1033	147.160	011A	38	387 262 4934	109.346	002	11	389 262 5934	109.347	006	29
389 262 1033	147.160	011A	38	387 262 4934	109.346	005	11	389 262 8234	See 945 262 4834		
389 262 1033	147.160	012A	37	387 262 5034	109.344	001	6	389 262 8334	See 945 262 4934		
389 262 1333	147.181	004	45	387 262 5034	109.344	002	6	389 262 8434	109.333	004	14
389 262 1633	145.595	010A	35	387 262 5034	109.344	007	17	389 262 8534	109.348	004	9
389 262 1733	145.617	013A	46	387 262 5134	109.129	002	6	389 262 9134	109.334	008B	16b
389 262 1833	147.157	008A	30	387 262 5134	109.129	003	6	389 262 9134	109.334	010B	16b
389 262 2033	147.161	013A	46	387 262 5234	109.352	005	6	389 262 9134	109.334	011B	16b
389 262 2033	147.161	014A	37	387 262 5334	109.353	006	17	389 262 9134	109.334	012B	18b
389 262 2033	147.161	015A	37	389 262 0034	See 945 262 0434			389 262 9234	109.337	009B	19a
389 262 2033	147.161	016A	36	389 262 0534	109.339	008A	16	389 262 9234	109.337	013B	19b
389 262 2133	147.163	013A	46	389 262 1134	109.328	004	9	389 262 9234	109.337	014B	19a
389 262 2133	147.163	014A	37	389 262 1934	See 389 262 2334			389 262 9234	109.337	015B	19a
389 262 2133	147.163	015A	37	389 262 2334	109.338	008B	16a	389 262 9234	109.337	016B	19a
389 262 2133	147.163	016A	36	389 262 2334	109.338	010B	16a	389 262 9934	See 945 262 5034		
945 262 0633	147.165	009A	31	389 262 2334	109.338	011B	16a	945 262 0134	See 945 262 0334		
945 262 0733	See 945 262 0633			389 262 2434	See 389 262 5634			945 262 0334	109.335	004	22
945 262 0833	See 945 262 0633			389 262 3934	See 389 262 5634			945 262 0334	109.335	009A	7
945 262 1033	147.164	009A	31	389 262 4034	109.188	008B	16a	945 262 0334	109.335	013A	20
945 262 1133	See 945 262 1033			389 262 4034	109.188	010B	16a	945 262 0334	109.335	014A	9

All original equipment manufacturers numbers, symbols, pictures, models and description used in this catalogue are for reference only, and it is not implied that any part listed is the product of these manufacturers.
Tutti i nostri particolari non sono originali ma con essi intercambiabili. I riferimenti originali, le figure, i modelli sono esposti a semplice titolo indicativo. La nostra produzione riporta il nostro marchio.

INDEX
MERCEDES Progression

Date

01 / 2004

Table

Index

MERCEDES Index

MB no.	CEI no.	Tab.	Fig.	MB no.	CEI no.	Tab.	Fig.	MB no.	CEI no.	Tab.	Fig.
945 262 0334	109.335	015A	9	387 262 2135	157.611	002	9	389 262 2035	155.204	013B	16
945 262 0434	109.187	004	32	387 262 2135	157.611	003	9	389 262 2035	155.204	014B	16
945 262 0434	109.187	004	37	387 262 2135	157.611	006	20	389 262 2035	155.204	015B	16
945 262 0434	109.187	008A	21	387 262 2135	157.611	007	20	389 262 2035	155.204	016B	16
945 262 0434	109.187	009A	22	387 262 2335	157.641	006	32	389 262 2135		008A	25
945 262 0434	109.187	010A	24	387 262 2735	157.615	001	31	389 262 2535	157.557	009A	20
945 262 0434	109.187	011A	29	387 262 2835	157.642	007	9	389 262 2535	157.557	013A	39
945 262 0434	109.187	012A	28	387 262 2935	157.633	005	37	389 262 2535	157.557	014A	31
945 262 0434	109.187	013A	36	387 262 3335	157.616	001	31	389 262 2535	157.557	015A	31
945 262 0434	109.187	014A	28	387 262 3435	157.622	002	31	389 262 2535	157.557	016A	30
945 262 0434	109.187	015A	28	387 262 3435	157.622	003	30	389 262 2735	157.629	004	25
945 262 0434	109.187	016A	27	387 262 3435	157.622	005	29	389 262 2835	157.555	013A	27
945 262 0534	109.189	009A	17	387 262 3435	157.622	007	41	389 262 3435	157.640	005	29
945 262 0534	109.189	011A	17	387 262 3535	157.618	002	31	389 262 3935	157.606	013A	44
945 262 0534	109.189	011A	24	387 262 3535	157.618	006	42	389 262 3935	157.606	014A	35
945 262 0534	109.189	012A	18	389 262 0035	157.213	005	29	389 262 3935	157.606	015A	35
945 262 0534	109.189	013A	21	389 262 0035	157.213	008A	19	389 262 3935	157.606	016A	34
945 262 0534	109.189	013A	31	389 262 0035	157.213	010A	27	389 262 4135	157.630	004	42
945 262 0534	109.189	014A	18	389 262 0035	157.213	011A	32	389 262 4235	157.626	004	42
945 262 0534	109.189	015A	18	389 262 0035	157.213	012A	31	389 262 4435	157.624	004	25
945 262 0534	109.189	016A	17	389 262 0135	157.603	010A	32	389 262 4535	157.625	004	12
945 262 1234	See 389 262 9234			389 262 0135	157.603	011A	36	389 262 4735	157.556	013A	27
945 262 4834	109.350	004	37	389 262 0135	157.603	012A	35	389 262 4735	157.556	014A	21
945 262 4934	109.351	004	32	389 262 0135	157.603	013A	44	389 262 4735	157.556	015A	21
945 262 5034	109.349	004	22	389 262 0135	157.603	014A	35	389 262 4735	157.556	016A	20
387 262 0335	157.621	002	37	389 262 0135	157.603	015A	35	389 262 4935	See 389 262 2035		
387 262 0335	157.621	006	47	389 262 0135	157.603	016A	34	389 262 5635	157.631	004	35
387 262 0435	157.623	002	31	389 262 0435	157.601	008A	25	945 262 0135	See 389 262 2535		
387 262 0435	157.623	003	30	389 262 0535	155.206	008B	13	945 262 1835	See 945 262 1935		
387 262 0435	157.623	005	29	389 262 0535	155.206	010B	13	945 262 1935	157.607	009A	10
387 262 0435	157.623	007	41	389 262 0535	155.206	011B	13	945 262 2035	See 945 262 2135		
387 262 0735	157.619	002	31	389 262 0635	157.214	008A	9	945 262 2135	154.226	009A	30
387 262 0735	157.619	006	42	389 262 0635	157.214	010A	17	387 262 0036	157.613	001	35
387 262 0835	157.620	002	21	389 262 0635	157.214	011A	20	387 262 0036	157.613	001	35
387 262 0935	157.614	002	9	389 262 1135	157.627	004	35	387 262 0036	157.613	002	37
387 262 0935	157.614	005	9	389 262 1535	157.215	011A	20	387 262 0036	157.613	002	37
387 262 1835	157.639	005	20	389 262 1535	157.215	012A	21	387 262 0036	157.613	003	36
387 262 2035	157.617	001	21	389 262 1935	157.628	004	12	387 262 0036	157.613	003	36
387 262 2035	157.617	002	21	389 262 2035	155.204	008B	13	387 262 0036	157.613	007	47
387 262 2035	157.617	003	20	389 262 2035	155.204	009B	16	387 262 0036	157.613	007	47
387 262 2035	157.617	005	20	389 262 2035	155.204	010B	13	387 262 0136	157.632	005	37
387 262 2035	157.617	007	31	389 262 2035	155.204	011B	13	387 262 0236	157.634	005	37
387 262 2135	157.611	001	9	389 262 2035	155.204	012B	15	387 262 0436	157.612	001	35

Date

01 / 2004

Table

Index

Index **MERCEDES**

MB no.	CEI no.	Tab.	Fig.	MB no.	CEI no.	Tab.	Fig.	MB no.	CEI no.	Tab.	Fig.
387 262 0436	157.612	002	37	389 262 0737	119.161	002	30	387 262 0345	197.089	006	55
387 262 0436	157.612	003	36	389 262 0737	119.161	003	29	387 262 0745	197.092	002	45
387 262 0436	157.612	007	47	389 262 0737	119.161	004	34	387 262 0745	197.092	003	44
387 262 1637	See 389 262 0737			389 262 0737	119.161	005	28	387 262 0745	197.092	005	45
389 262 0037	See 389 262 0537			389 262 0737	119.161	006	41	387 262 0745	197.092	007	54
389 262 0137	See 389 262 0537			389 262 0737	119.161	007	40	387 262 0845	197.091	002	45
389 262 0537	119.160	008B	12	389 262 0737	119.161	008A	18	387 262 0845	197.091	005	45
389 262 0537	119.160	009B	15	389 262 0737	119.161	009A	19	387 262 0845	197.091	006	55
389 262 0537	119.160	010B	12	389 262 0737	119.161	010A	26	387 262 1045	197.090	002	45
389 262 0537	119.160	011B	12	389 262 0737	119.161	011A	19	387 262 1045	197.090	003	44
389 262 0537	119.160	012B	14	389 262 0737	119.161	011A	31	387 262 1045	197.090	005	45
389 262 0537	119.160	013B	15	389 262 0737	119.161	012A	20	387 262 1045	197.090	007	54
389 262 0537	119.160	014B	15	389 262 0737	119.161	012A	30	389 262 0445	197.079	008B	20
389 262 0537	119.160	015B	15	389 262 0737	119.161	013A	26	389 262 0445	197.079	010B	20
389 262 0537	119.160	016B	15	389 262 0737	119.161	013A	38	389 262 0445	197.079	011B	20
389 262 0637	119.112	001	8	389 262 0737	119.161	014A	20	389 262 0445	197.079	012B	22
389 262 0637	119.112	001	20	389 262 0737	119.161	014A	30	389 262 0545	197.081	009B	23
389 262 0637	119.112	002	8	389 262 0737	119.161	015A	20	389 262 0545	197.081	013B	23
389 262 0637	119.112	002	20	389 262 0737	119.161	015A	30	389 262 0545	197.081	014B	23
389 262 0637	119.112	003	8	389 262 0737	119.161	016A	19	389 262 0545	197.081	015B	23
389 262 0637	119.112	003	19	389 262 0737	119.161	016A	29	389 262 0545	197.081	016B	23
389 262 0637	119.112	004	11	389 262 1037	See 389 262 0637			389 262 0645	197.082	009B	23
389 262 0637	119.112	004	24	389 262 1137	See 389 262 0737			389 262 0645	197.082	012B	22
389 262 0637	119.112	005	8	389 262 1337	See 389 262 0637			389 262 0645	197.082	013B	23
389 262 0637	119.112	005	19	389 262 2437	See 389 262 0637			389 262 0645	197.082	014B	23
389 262 0637	119.112	006	7	389 262 2537	See 389 262 0637			389 262 0645	197.082	015B	23
389 262 0637	119.112	006	19	389 262 2637	See 389 262 0737			389 262 0645	197.082	016B	23
389 262 0637	119.112	006	31	389 262 2737	See 389 262 0737			389 262 0945	197.080	009B	23
389 262 0637	119.112	007	8	389 262 3137	See 389 262 0637			389 262 0945	197.080	013B	23
389 262 0637	119.112	007	19	387 262 0040	157.637	005	39	389 262 0945	197.080	014B	23
389 262 0637	119.112	007	30	387 262 0140	157.635	005	39	389 262 0945	197.080	015B	23
389 262 0637	119.112	008A	8	387 262 0240	157.637	005	39	389 262 0945	197.080	016B	23
389 262 0637	119.112	009A	9	387 262 0340	See 387 262 0440			629 262 0045		004	49
389 262 0637	119.112	010A	7	387 262 0440	157.638	005	39	629 262 0145		004	49
389 262 0637	119.112	011A	7	389 262 0040	157.602	008A	32	629 262 0245		004	49
389 262 0637	119.112	011A	19	389 262 0140	109.340	008A	29	656 262 0045		004	49
389 262 0637	119.112	012A	8	387 262 0045	See 387 262 0745			656 262 0145		004	49
389 262 0637	119.112	013A	11	387 262 0145	197.088	001	43	945 262 0045	197.083	009B	23
389 262 0637	119.112	013A	26	387 262 0145	197.088	002	45	945 262 0045	197.083	013B	23
389 262 0637	119.112	014A	11	387 262 0145	197.088	003	44	945 262 0045	197.083	014B	23
389 262 0637	119.112	015A	11	387 262 0145	197.088	005	45	945 262 0045	197.083	015B	23
389 262 0637	119.112	016A	9	387 262 0345	197.089	002	45	945 262 0045	197.083	016B	23
389 262 0737	119.161	001	30	387 262 0345	197.089	005	45	945 262 0145	See 389 262 0545		

All original equipment manufacturers numbers, symbols, pictures, models and description used in this catalogue are for reference only, and it is not implied that any part listed is the product of these manufacturers. Tutti i nostri particolari non sono originali ma con essi intercambiabili. I riferimenti originali, le figure, i modelli sono esposti a semplice titolo indicativo. La nostra produzione riporta il nostro marchio.

MERCEDES Index

MB no.	CEI no.	Tab.	Fig.	MB no.	CEI no.	Tab.	Fig.	MB no.	CEI no.	Tab.	Fig.
945 262 0245	See 389 262 0645			389 262 1650	117.327	016A	38	389 262 1362	See 389 262 1462		
945 262 0345	See 389 262 0945			389 262 1750	117.336	004	43	389 262 1462	169.803	013B	6
945 262 0445	197.084	009B	24	389 262 1850	See 389 262 0650			389 262 1462	169.803	014B	6
945 262 0445	197.084	013B	24	389 262 0251	117.322	008B	15	389 262 1462	169.803	015B	6
945 262 0445	197.084	014B	24	389 262 0251	117.322	009B	18	389 262 1462	169.803	016B	6
945 262 0445	197.084	015B	24	389 262 0251	117.322	010B	15	389 262 6462	See 389 262 0162		
945 262 0445	197.084	016B	24	389 262 0251	117.322	011B	15	945 262 0162	See 389 262 1462		
976 262 0045	See 976 262 0145			389 262 0251	117.322	012B	17	389 262 0773	111.209	009B	11
976 262 0145	197.093	004	49	389 262 0251	117.322	013B	18	389 262 0773	111.209	012B	10
976 262 0345		004	49	389 262 0251	117.322	014B	18	389 262 0773	111.209	013B	11
387 262 0150	117.279	001	15	389 262 0251	117.322	015B	18	389 262 0773	111.209	014B	11
387 262 0150	117.279	002	15	389 262 0251	117.322	016B	18	389 262 0773	111.209	015B	11
387 262 0150	117.279	003	14	389 262 0152	117.326	008A	37	389 262 0773	111.209	016B	11
387 262 0150	117.279	007	25	389 262 0152	117.326	011A	43	387 262 0693	See 387 262 1093		
387 262 0350	117.334	002	15	389 262 6352		010A	39	387 262 0793	See 387 262 0893		
387 262 0550	117.330	001	15	389 262 9052	169.805	004	19	387 262 0893	111.205	001	29
387 262 0550	117.330	002	15	945 262 0052	See 389 262 3754			387 262 0893	111.205	002	29
387 262 0550	117.330	003	14	945 262 0152	See 389 262 3754			387 262 0893	111.205	003	28
387 262 0550	117.330	007	25	389 262 3754	117.325	008A	37	387 262 0893	111.205	004	33
387 262 0750	117.339	005	14	389 262 3754	117.325	009A	35	387 262 0893	111.205	005	27
387 262 0850	117.333	002	38	389 262 3754	117.325	011A	43	387 262 0893	111.205	006	40
387 262 0850	117.333	006	48	389 262 3754	117.325	012A	42	387 262 0893	111.205	007	39
387 262 0950	117.342	006	26	389 262 3754	117.325	013A	51	387 262 0893	111.205	008A	17
387 262 1350	117.337	005	14	389 262 3754	117.325	014A	41	387 262 0893	111.205	009A	18
387 262 1450	117.329	001	37	389 262 3754	117.325	015A	41	387 262 0893	111.205	010A	25
387 262 1450	117.329	002	38	389 262 3754	117.325	016A	41	387 262 0893	111.205	011A	18
387 262 1450	117.329	003	37	389 262 9454	See 389 261 0665			387 262 0893	111.205	011A	30
387 262 1450	117.329	007	48	389 262 0162	169.801	008B	5	387 262 0893	111.205	012A	19
387 262 1550		001	37	389 262 0162	169.801	009B	5	387 262 0893	111.205	012A	29
387 262 1550		002	38	389 262 0162	169.801	010B	5	387 262 0893	111.205	013A	25
387 262 1550		003	37	389 262 0162	169.801	011B	5	387 262 0893	111.205	013A	37
387 262 1550		007	48	389 262 0162	169.801	012B	5	387 262 0893	111.205	014A	19
389 262 0050	See 389 262 1650			389 262 0162	169.801	013B	5	387 262 0893	111.205	014A	29
389 262 0150		010A	36	389 262 0162	169.801	014B	5	387 262 0893	111.205	015A	19
389 262 0650	117.335	004	18	389 262 0162	169.801	015B	5	387 262 0893	111.205	015A	29
389 262 0950		004	43	389 262 0162	169.801	016B	5	387 262 0893	111.205	016A	18
389 262 1250		010A	36	389 262 0262	169.802	008B	6	387 262 0893	111.205	016A	28
389 262 1350	See 389 262 1750			389 262 0262	169.802	010B	6	387 262 0993	See 387 262 1093		
389 262 1650	117.327	011A	40	389 262 0262	169.802	011B	6	387 262 1093	111.204	001	7
389 262 1650	117.327	012A	39	389 262 0262	169.802	012B	6	387 262 1093	111.204	001	19
389 262 1650	117.327	013A	48	389 262 0562	See 389 262 0162			387 262 1093	111.204	002	7
389 262 1650	117.327	014A	38	389 262 1162	See 389 262 1462			387 262 1093	111.204	002	19
389 262 1650	117.327	015A	38	389 262 1362	169.803	009B	6	387 262 1093	111.204	003	7

Date

01 / **2004**

Table

Index

Index **MERCEDES**

MB no.	CEI no.	Tab.	Fig.	MB no.	CEI no.	Tab.	Fig.	MB no.	CEI no.	Tab.	Fig.
387 262 1093	111.204	003	18	387 263 2902	105.138	002	50	945 263 0210	See 945 263 1110		
387 262 1093	111.204	004	10	387 263 2902	105.138	003	50	945 263 0510	146.505	016A	44
387 262 1093	111.204	004	23	387 263 3002	105.142	005	50	945 263 0610	See 945 263 0510		
387 262 1093	111.204	005	7	387 263 3402	See 387 263 2802			945 263 0710	See 945 263 0810		
387 262 1093	111.204	005	18	389 263 0102	105.127	010A	44	945 263 0810	146.499	013A	54
387 262 1093	111.204	006	6	389 263 0302	105.130	011A	48	945 263 1110	146.504	014A	45
387 262 1093	111.204	006	18	389 263 0702	105.128	010A	44	945 263 1110	146.504	015A	45
387 262 1093	111.204	006	30	389 263 0802	105.131	011A	48	387 263 0513	See 387 263 1313		
387 262 1093	111.204	007	7	389 263 0802	105.131	012A	47	387 263 0613	143.110	001	47
387 262 1093	111.204	007	18	389 263 0902	105.129	008A	42	387 263 0613	143.110	002	49
387 262 1093	111.204	007	29	389 263 1102	105.140	004	54	387 263 0613	143.110	007	62
387 262 1093	111.204	008A	7	389 263 2502	105.132	013A	56	387 263 0713	143.088	002	49
387 262 1093	111.204	009A	8	389 263 2502	105.132	014A	47	387 263 0713	143.088	006	60
387 262 1093	111.204	010A	6	389 263 2502	105.132	015A	47	387 263 0913	See 387 263 1113		
387 262 1093	111.204	011A	6	389 263 2502	105.132	016A	46	387 263 1113	143.089	003	49
387 262 1093	111.204	011A	18	945 263 0302	105.133	009A	39	387 263 1213	143.111	002	49
387 262 1093	111.204	012A	7	945 263 0402	See 945 263 0302			387 263 1213	143.111	003	49
387 262 1093	111.204	013A	10	387 263 0110	146.513	002	47	387 263 1313	143.109	001	47
387 262 1093	111.204	013A	25	387 263 0110	146.513	006	58	387 263 1313	143.109	002	49
387 262 1093	111.204	014A	10	387 263 1210	146.519	005	47	387 263 1313	143.109	007	62
387 262 1093	111.204	015A	10	387 263 1410	146.339	006	57	389 263 0013	See 389 263 0313		
387 262 1093	111.204	016A	8	387 263 1510	146.512	001	45	389 263 0313	143.107	011A	47
389 262 0293	111.206	008B	11	387 263 1510	146.512	002	47	389 263 0813	See 389 263 1513		
389 262 0293	111.206	009B	14	387 263 1510	146.512	007	60	389 263 0913	See 389 263 1013		
389 262 0293	111.206	010B	11	387 263 1810	146.510	001	45	389 263 1013	143.099	011A	47
389 262 0293	111.206	011B	11	387 263 1810	146.510	002	47	389 263 1113	143.106	008A	41
389 262 0293	111.206	012B	13	387 263 1810	146.510	007	60	389 263 1413	143.100	011A	47
389 262 0293	111.206	013B	14	387 263 2010	146.520	007	56	389 263 1413	143.100	012A	46
389 262 0293	111.206	014B	14	387 263 2110	See 387 263 2410			389 263 1513	143.105	010A	43
389 262 0293	111.206	015B	14	387 263 2410	146.340	003	47	389 263 1613	See 389 263 2113		
389 262 0293	111.206	016B	14	387 263 2510	146.514	002	47	389 263 1813	143.103	009A	38
387 263 0102	105.137	002	50	387 263 2510	146.514	003	47	389 263 1813	143.103	013A	55
387 263 1102	105.087	006	61	387 263 2710	146.517	005	47	389 263 1913	143.101	013A	55
387 263 1702	See 387 263 2902			389 263 0310	See 389 263 0910			389 263 2513	143.098	004	53
387 263 1902	105.136	001	48	389 263 0410	146.502	011A	46	389 263 2513	See 389 263 2113		
387 263 1902	105.136	002	50	389 263 0510	146.500	010A	42	945 263 0013	143.104	013A	55
387 263 2002	105.135	001	48	389 263 0610	146.501	010A	42	945 263 0013	143.104	016A	45
387 263 2002	105.135	002	50	389 263 0910	146.503	011A	46	945 263 0213	See 945 263 1013		
387 263 2102	105.144	007	63	389 263 1110	146.478	011A	46	945 263 0513	See 945 263 1013		
387 263 2202	105.145	007	63	389 263 1110	146.478	012A	45	945 263 1013	143.102	013A	55
387 263 2602	105.143	005	50	389 263 1210	146.477	011A	46	945 263 1013	143.102	014A	46
387 263 2702	105.141	005	50	389 263 1310	146.493	004	51	945 263 1013	143.102	015A	46
387 263 2802	105.139	003	50	389 263 1610	See 945 263 0510			945 263 1413	See 945 263 1013		

All original equipment manufacturers numbers, symbols, pictures, models and description used in this catalogue are for reference only, and it is not implied that any part listed is the product of these manufacturers. Tutti i nostri particolari non sono originali ma con essi intercambiabili. I riferimenti originali, le figure, i modelli sono esposti a semplice titolo indicativo. La nostra produzione riporta il nostro marchio.

INDEX
MERCEDES Progression

Date

01 / 2004

Table

Index

MERCEDES Index

MB no.	CEI no.	Tab.	Fig.	MB no.	CEI no.	Tab.	Fig.	MB no.	CEI no.	Tab.	Fig.
945 263 1513	See 945 263 1013			976 263 0030	107.174	011A	54	945 263 0041	009A	45	
945 263 1713	See 945 263 0013			976 263 0030	107.174	012A	53	945 263 0041	010A	51	
387 263 0514	143.113	005	49	976 263 0030	107.174	013A	61	945 263 0041	011A	55	
387 263 0914	143.112	005	49	976 263 0030	107.174	014A	52	945 263 0041	012A	54	
387 263 0015	146.509	001	46	976 263 0030	107.174	015A	52	945 263 0041	013A	63	
387 263 0015	146.509	002	48	976 263 0030	107.174	016A	51	945 263 0041	014A	53	
387 263 0015	146.509	007	61	976 263 0330	107.180	004	59	945 263 0041	015A	53	
387 263 0115	146.338	002	48	387 263 0631	147.171	001	52	945 263 0041	016A	52	
387 263 0115	146.338	006	59	387 263 0631	147.171	002	54	976 263 0041	004	60	
387 263 0215	146.511	001	46	387 263 0631	147.171	007	66	387 263 0050	117.344	007	57
387 263 0215	146.511	002	48	387 263 0831	See 387 263 1531			387 263 0550	117.343	007	59
387 263 0215	146.511	007	61	387 263 1031	147.182	005	54	387 263 0650	005	52	
387 263 0515	See 387 263 0715			387 263 1131	147.118	002	54	387 263 0750	117.340	005	52
387 263 0715	146.494	003	48	387 263 1131	147.118	006	65	387 263 0850	117.332	001	50
387 263 0815	146.515	002	48	387 263 1231	147.169	001	52	387 263 0850	117.332	002	52
387 263 0815	146.515	003	48	387 263 1231	147.169	002	54	387 263 0850	117.332	003	52
389 263 0115	146.495	004	52	387 263 1231	147.169	007	66	387 263 0850	117.332	006	63
387 263 0316	146.518	005	48	387 263 1431	147.187	005	54	387 263 0850	117.332	007	64
387 263 0416	146.516	005	48	387 263 1531	147.180	003	54	387 263 0950	001	50	
387 263 0530		001	53	387 263 1631	147.174	002	54	387 263 0950	002	52	
387 263 0530		002	55	387 263 1631	147.174	003	54	387 263 0950	003	52	
387 263 0530		003	55	387 263 1831	147.188	005	54	387 263 0950	007	64	
387 263 0530		005	55	389 263 0131		010A	47	387 263 1150	117.338	005	52
387 263 0530		007	67	389 263 0331		011A	51	387 263 1250	117.331	001	50
387 263 0630	107.179	002	55	389 263 0331		012A	50	387 263 1250	117.331	002	52
387 263 0630	107.179	006	66	389 263 0531		008A	45	387 263 1250	117.331	003	52
387 263 0730	107.181	005	55	389 263 0931	147.183	004	57	387 263 1250	117.331	007	64
387 263 0830	107.178	001	53	389 263 1031	147.162	013A	58	389 263 0050	008A	47	
387 263 0830	107.178	002	55	389 263 1031	147.162	014A	49	389 263 0050	011A	53	
387 263 0830	107.178	003	55	389 263 1031	147.162	015A	49	389 263 0050	012A	52	
387 263 0830	107.178	007	67	389 263 1031	147.162	016A	48	389 263 0150	010A	49	
387 263 1430	107.177	001	53	389 263 1431	147.154	010A	47	389 263 0650	004	56	
387 263 1430	107.177	002	55	389 263 1531	147.158	011A	51	389 263 0850	117.324	008A	47
387 263 1430	107.177	003	55	389 263 1531	147.158	012A	50	389 263 0850	117.324	009A	43
387 263 1430	107.177	005	55	389 263 1631	147.155	008A	45	389 263 0850	117.324	011A	53
387 263 1430	107.177	007	67	945 263 0231	147.166	009A	41	389 263 0850	117.324	012A	52
389 263 0130	107.172	010A	50	945 263 0331	See 945 263 0231			389 263 0850	117.324	013A	60
389 263 0330	107.173	008A	48	945 263 0431	See 945 263 0231			389 263 0850	117.324	014A	51
389 263 0430		011A	54	389 263 0041		011A	55	389 263 0850	117.324	015A	51
389 263 0430		012A	53	389 263 0041		012A	54	389 263 0850	117.324	016A	50
389 263 0430		013A	61	389 263 0041		013A	62	389 263 0950	117.323	010A	49
389 263 0730		004	59	389 263 0241		004	60	389 263 0062	008A	44	
976 263 0030	107.174	009A	44	945 263 0041		008A	49	389 263 0062	010A	46	

Date

01 / 2004

Table

Index

Index **MERCEDES**

MB no.	CEI no.	Tab.	Fig.	MB no.	CEI no.	Tab.	Fig.	MB no.	CEI no.	Tab.	Fig.
389 263 0062		011A	50	389 265 2349	141.161	008A	22	945 265 0149	<i>141.160</i>	005	57
389 263 0062		012A	49	389 265 2349	141.161	008A	39	945 265 0149	<i>141.160</i>	006	51
389 263 0162	<i>169.806</i>	004	55	389 265 2349	141.161	010A	19	945 265 0149	<i>141.160</i>	007	69
629 264 0020		004	65	389 265 2349	141.161	010A	30	945 265 0149	<i>141.160</i>	008A	34
945 264 0220	<i>109.341</i>	013B	19c	389 265 2349	141.161	011A	25	945 265 0149	<i>141.160</i>	009A	32
945 264 0220	<i>109.341</i>	016B	19b	389 265 2349	141.161	011A	35	945 265 0149	<i>141.160</i>	010A	34
389 264 0730	<i>109.342</i>	009B	19b	389 265 2349	141.161	012A	24	945 265 0149	<i>141.160</i>	011A	39
389 264 0730	<i>109.342</i>	013B	19c	389 265 2349	141.161	012A	34	945 265 0149	<i>141.160</i>	012A	38
389 264 0730	<i>109.342</i>	014B	19b	389 265 2449	141.162	006	67	945 265 0149	<i>141.160</i>	013A	47
389 264 0730	<i>109.342</i>	015B	19b	389 265 2449	141.162	007	12	945 265 0149	<i>141.160</i>	014A	43
389 264 0730	<i>109.342</i>	016B	19b	389 265 2449	141.162	008B	29	945 265 0149	<i>141.160</i>	015A	43
945 264 0130	See 389 264 0730			389 265 2449	141.162	009B	33	945 265 0149	<i>141.160</i>	016A	37
387 264 1945	<i>197.085</i>	009B	24	389 265 2449	141.162	010A	12	389 269 1901		004	61
387 264 1945	<i>197.085</i>	013B	24	389 265 2449	141.162	010B	29	389 269 2101		004	64
387 264 1945	<i>197.085</i>	014B	24	389 265 2449	141.162	011A	12	389 269 2501	See 945 269 0101		
387 264 1945	<i>197.085</i>	015B	24	389 265 2449	141.162	011B	29	389 269 2601	See 945 269 0101		
387 264 1945	<i>197.085</i>	016B	24	389 265 2449	141.162	012A	13	389 269 3801	<i>189.604</i>	008B	28
387 264 2445		004	49	389 265 2449	141.162	012B	31	389 269 3801	<i>189.604</i>	009B	32
387 264 3245		004	49	389 265 2449	141.162	013B	33	389 269 3801	<i>189.604</i>	010B	28
387 264 3445		004	49	389 265 2449	141.162	014B	33	389 269 3801	<i>189.604</i>	011B	28
389 265 0849	See 389 265 2349			389 265 2449	141.162	015B	33	389 269 3801	<i>189.604</i>	012B	30
389 265 1049	See 945 265 0149			389 265 2449	141.162	016B	33	389 269 3801	<i>189.604</i>	013B	32
389 265 1149	See 389 265 2349			389 265 2749	141.165	004	16	389 269 3801	<i>189.604</i>	014B	32
389 265 1249	See 389 265 2449			389 265 2749	141.165	004	28	389 269 3801	<i>189.604</i>	015B	32
389 265 1349	See 945 265 0149			389 265 2749	141.165	004	40	389 269 3801	<i>189.604</i>	016B	32
389 265 2349	141.161	001	12	389 265 2749	141.165	009A	15	945 269 0101	<i>189.607</i>	008B	24
389 265 2349	141.161	001	24	389 265 2749	141.165	009A	24	945 269 0101	<i>189.607</i>	009B	28
389 265 2349	141.161	001	33	389 265 2749	141.165	013A	14	945 269 0101	<i>189.607</i>	010B	24
389 265 2349	141.161	002	13	389 265 2749	141.165	013A	43	945 269 0101	<i>189.607</i>	011B	24
389 265 2349	141.161	002	24	389 265 2749	141.165	013A	64	945 269 0101	<i>189.607</i>	012B	26
389 265 2349	141.161	002	35	389 265 2749	141.165	014A	14	945 269 0101	<i>189.607</i>	013B	28
389 265 2349	141.161	003	23	389 265 2749	141.165	014A	24	945 269 0101	<i>189.607</i>	014B	28
389 265 2349	141.161	003	34	389 265 2749	141.165	014A	34	945 269 0101	<i>189.607</i>	015B	28
389 265 2349	141.161	003	45	389 265 2749	141.165	015A	14	945 269 0101	<i>189.607</i>	016B	28
389 265 2349	141.161	005	33	389 265 2749	141.165	015A	24	389 269 0706	<i>189.605</i>	004	63
389 265 2349	141.161	005	35	389 265 2749	141.165	015A	34	389 269 0706	<i>189.605</i>	008B	27
389 265 2349	141.161	005	56	389 265 2749	141.165	016A	12	389 269 0706	<i>189.605</i>	009B	31
389 265 2349	141.161	006	24	389 265 2749	141.165	016A	23	389 269 0706	<i>189.605</i>	010B	27
389 265 2349	141.161	006	35	389 265 2749	141.165	016A	33	389 269 0706	<i>189.605</i>	011B	27
389 265 2349	141.161	006	45	945 265 0149	<i>141.160</i>	001	36	389 269 0706	<i>189.605</i>	012B	29
389 265 2349	141.161	007	34	945 265 0149	<i>141.160</i>	002	41	389 269 0706	<i>189.605</i>	013B	31
389 265 2349	141.161	007	45	945 265 0149	<i>141.160</i>	003	40	389 269 0706	<i>189.605</i>	014B	31
389 265 2349	141.161	007	68	945 265 0149	<i>141.160</i>	004	67	389 269 0706	<i>189.605</i>	015B	31

All original equipment manufacturers numbers, symbols, pictures, models and description used in this catalogue are for reference only, and it is not implied that any part listed is the product of these manufacturers.
Tutti i nostri particolari non sono originali ma con essi intercambiabili. I riferimenti originali, le figure, i modelli sono esposti a semplice titolo indicativo. La nostra produzione riporta il nostro marchio.

MERCEDES Index

MB no.	CEI no.	Tab.	Fig.	MB no.	CEI no.	Tab.	Fig.	MB no.	CEI no.	Tab.	Fig.
389 269 0706	189.605	016B	31	003 981 0001	See 008 981 9501			001 981 3105	130.573	005	46
389 269 1206	See 389 269 0706			003 981 4701	See 008 981 9501			001 981 5005	See 001 981 3105		
389 269 1406	189.606	008B	26	004 981 3301	See 008 981 5201			001 981 5105	See 010 981 5905		
389 269 1406	189.606	009B	30	004 981 3601	130.585	007	58	001 981 9705	See 012 981 9205		
389 269 1406	189.606	010B	26	004 981 3701	See 004 981 3601			002 981 0205	See 012 981 9205		
389 269 1406	189.606	011B	26	004 981 4301	See 008 981 9501			002 981 1305	See 011 981 7705		
389 269 1406	189.606	012B	28	004 981 6301	See 008 981 9501			002 981 6605	See 011 981 7705		
389 269 1406	189.606	013B	30	004 981 7201	See 004 981 3601			002 981 7905	See 011 981 7605		
389 269 1406	189.606	014B	30	005 981 8401	See 008 981 5301			003 981 8305	See 011 981 7605		
389 269 1406	189.606	015B	30	006 981 0101	See 008 981 5301			004 981 4205	See 011 981 7605		
389 269 1406	189.606	016B	30	006 981 2701	See 008 981 5301			005 981 4005	See 011 981 7605		
389 269 1506	See 389 269 1406			006 981 8301	See 008 981 8901			006 981 4205	See 010 981 5905		
389 269 1706		004	62	006 981 8401	See 008 981 8901			006 981 4305	See 001 981 3105		
389 269 0310	See 389 269 1210			006 981 8601	See 008 981 8901			006 981 5305	See 001 981 3105		
389 269 0810	See 389 269 1310			006 981 8701	See 008 981 5301			006 981 5605	See 011 981 7705		
389 269 1210	101.123	008B	21	007 981 0101	See 008 981 8901			007 981 0405	See 011 981 7705		
389 269 1210	101.123	009B	25	007 981 2001	130.577	002	3	007 981 1005	See 009 981 3105		
389 269 1210	101.123	010B	21	007 981 2001	130.577	005	3	008 981 2605	See 011 981 1305		
389 269 1210	101.123	011B	21	007 981 2001	130.577	006	9	008 981 2805	See 008 981 4005		
389 269 1210	101.123	012B	23	007 981 5701	See 008 981 5201			008 981 2905	See 014 981 1405		
389 269 1210	101.123	013B	25	007 981 5801	See 008 981 5301			008 981 3005	See 012 981 9305		
389 269 1210	101.123	014B	25	007 981 8201	130.563	009B	20	008 981 3205	See 011 981 1305		
389 269 1210	101.123	015B	25	007 981 8201	130.563	013B	20	008 981 3305	See 014 981 1405		
389 269 1210	101.123	016B	25	007 981 8201	130.563	014B	20	008 981 4005	130.551	008A	5
389 269 1310	101.124	009B	25	007 981 8201	130.563	015B	20	008 981 4005	130.551	011A	11
389 269 1310	101.124	013B	25	007 981 8201	130.563	016B	20	008 981 4005	130.551	012A	12
389 269 1310	101.124	014B	25	007 981 8701	See 007 981 8201			008 981 4105	See 012 981 9305		
389 269 1310	101.124	015B	25	008 981 5201	130.574	001	3	008 981 4605	See 011 981 1305		
389 269 1310	101.124	016B	25	008 981 5201	130.574	002	3	008 981 7105	See 008 981 8005		
389 269 0134	188.180	008B	2	008 981 5201	130.574	003	3	008 981 7305	See 008 981 8005		
389 269 0134	188.180	010B	2	008 981 5201	130.574	005	3	008 981 7805	See 008 981 8005		
389 269 0134	188.180	011B	2	008 981 5201	130.574	007	13	008 981 8005	130.543	010A	38
389 269 0134	188.180	012B	2	008 981 5301	130.572	001	42	008 981 8605	See 011 981 1305		
389 269 0334		010B	2	008 981 5301	130.572	002	44	008 981 8705	See 012 981 9305		
389 269 4734	188.181	009B	2	008 981 5301	130.572	003	43	008 981 8805	See 012 981 9205		
389 269 4734	188.181	013B	2	008 981 5301	130.572	005	44	009 981 0305	See 010 981 5905		
389 269 4734	188.181	014B	2	008 981 5301	130.572	007	53	009 981 0605	See 009 981 6205		
389 269 4734	188.181	015B	2	008 981 8901	130.582	005	44	009 981 0705	130.544	010A	11
389 269 4734	188.181	016B	2	008 981 9501	130.576	002	3	009 981 1005	See 009 981 6205		
629 430 0046		004	66	008 981 9501	130.576	005	3	009 981 3105	130.571	001	44
629 430 0146		004	66	008 981 9501	130.576	006	9	009 981 3105	130.571	001	49
629 430 0246		004	66	000 981 8905	See 012 981 9205			009 981 3105	130.571	002	46
000 980 9002	See 011 981 7705			001 981 3105	130.573	002	46	009 981 3105	130.571	002	51

Date

01 / 2004

Table

Index

Index **MERCEDES**

MB no.	CEI no.	Tab.	Fig.	MB no.	CEI no.	Tab.	Fig.	MB no.	CEI no.	Tab.	Fig.
009 981 3105	130.571	003	46	011 981 1905	See 015 981 6205			012 981 9305	130.552	011A	42
009 981 3105	130.571	003	51	011 981 2205	See 015 981 6105			012 981 9305	130.552	012A	41
009 981 3105	130.571	005	46	011 981 4505	See 015 981 6205			012 981 9305	130.552	013A	50
009 981 3105	130.571	007	55	011 981 4805	See 015 981 6105			012 981 9305	130.552	014A	40
009 981 4605	See 009 981 0705			011 981 5205	See 015 981 1605			012 981 9305	130.552	015A	40
009 981 4705	See 009 981 6205			011 981 5505	See 015 981 6105			012 981 9305	130.552	016A	40
009 981 6205	130.549	010A	3	011 981 5605	See 015 981 6205			012 981 9405	See 012 981 9205		
009 981 6305	See 009 981 0705			011 981 6005	130.562	013A	17	012 981 9905	See 015 981 6105		
009 981 6805	See 009 981 0705			011 981 7605	130.557	011A	14a	013 981 0005	See 015 981 6205		
009 981 8305	See 009 981 8905			011 981 7605	130.557	012A	15a	013 981 0505	See 015 981 1605		
009 981 8605	See 010 981 5205			011 981 7605	130.557	013A	16a	013 981 0605	See 014 981 1405		
009 981 8705	See 010 981 5205			011 981 7705	130.546	010A	16a	013 981 0805	See 015 981 2005		
009 981 8905	130.580	004	48	011 981 7705	130.546	011A	16a	013 981 0905	See 015 981 6105		
009 981 9005	See 009 981 8905			011 981 7705	130.546	012A	17a	013 981 1105	See 015 981 1605		
009 981 9805	See 009 981 8905			011 981 7705	130.546	013A	22	013 981 1505	See 014 981 1905		
010 981 2005	See 010 981 5205			011 981 9705	See 015 981 1605			013 981 2705	See 014 981 1905		
010 981 2405	130.545	010A	14	011 981 9805	See 015 981 6205			013 981 3205	See 014 981 1905		
010 981 2705	See 010 981 5205			011 981 9905	See 015 981 1605			013 981 6905	See 015 981 2005		
010 981 2805	See 012 981 9205			012 981 0405	See 012 981 9305			013 981 7305	See 012 981 9205		
010 981 2905	See 012 981 9205			012 981 0505	See 015 981 6105			013 981 8405	See 012 981 9205		
010 981 3005	See 010 981 5205			012 981 1405	See 011 981 7605			014 981 0205	See 015 981 2005		
010 981 3105	See 010 981 2405			012 981 3605	130.587	004	68	014 981 0705	See 015 981 2005		
010 981 5205	130.541	010A	45	012 981 3705	130.581	004	48	014 981 1405	130.554	004	50
010 981 5505	See 012 981 9205			012 981 3905	See 012 981 9305			014 981 1405	130.554	008A	40
010 981 5605	See 011 981 1305			012 981 4405	See 014 981 1405			014 981 1405	130.554	009A	37
010 981 5805	See 010 981 2405			012 981 5105	See 014 981 1405			014 981 1405	130.554	011A	45
010 981 5905	130.542	002	51	012 981 7205	See 014 981 1405			014 981 1405	130.554	012A	44
010 981 5905	130.542	005	51	012 981 7405	See 014 981 1405			014 981 1405	130.554	013A	53
010 981 5905	130.542	006	56	012 981 7505	See 012 981 9205			014 981 1405	130.554	014A	44
010 981 5905	130.542	010A	41	012 981 8105	See 015 981 1605			014 981 1405	130.554	015A	44
010 981 6305	See 010 981 5905			012 981 8205	See 015 981 1605			014 981 1405	130.554	016A	43
011 981 1305	130.550	004	4	012 981 8805	See 012 981 9205			014 981 1505	See 015 981 2005		
011 981 1305	130.550	008A	3	012 981 8905	See 012 981 9305			014 981 1605	130.547	010A	16c
011 981 1305	130.550	009A	4	012 981 9205	130.553	008A	43	014 981 1605	130.547	011A	16c
011 981 1305	130.550	011A	3	012 981 9205	130.553	009A	40	014 981 1605	130.547	012A	17c
011 981 1305	130.550	012A	4	012 981 9205	130.553	011A	49	014 981 1605	130.547	013A	24
011 981 1305	130.550	013A	7	012 981 9205	130.553	012A	48	014 981 1605	130.547	014A	16b
011 981 1305	130.550	014A	6	012 981 9205	130.553	013A	57	014 981 1605	130.547	015A	16b
011 981 1305	130.550	015A	6	012 981 9205	130.553	014A	48	014 981 1905	130.556	014A	15
011 981 1305	130.550	016A	5	012 981 9205	130.553	015A	48	014 981 1905	130.556	015A	15
011 981 1405	See 011 981 1305			012 981 9205	130.553	016A	47	014 981 2605	See 015 981 6105		
011 981 1505	See 011 981 1305			012 981 9305	130.552	008A	36	014 981 3005	See 015 981 2005		
011 981 1605	See 011 981 1305			012 981 9305	130.552	009A	34	014 981 3105	See 014 981 1605		

All original equipment manufacturers numbers, symbols, pictures, models and description used in this catalogue are for reference only, and it is not implied that any part listed is the product of these manufacturers. Tutti i nostri particolari non sono originali ma con essi intercambiabili. I riferimenti originali, le figure, i modelli sono esposti a semplice titolo indicativo. La nostra produzione riporta il nostro marchio.

INDEX
MERCEDES Progression

Date

01 / 2004

Table

Index

MERCEDES Index

MB no.	CEI no.	Tab.	Fig.	MB no.	CEI no.	Tab.	Fig.	MB no.	CEI no.	Tab.	Fig.
014 981 3305	See 011 981 7605			008 981 9410	137.186	001	38	009 981 1510	137.187	016A	39
014 981 4005	See 011 981 1305			008 981 9410	137.186	002	34	009 981 1610	See 008 981 9410		
014 981 6105	See 012 981 9305			008 981 9410	137.186	002	39	009 981 1710	137.203	001	25
015 981 1605	130.558	004	8	008 981 9410	137.186	003	33	009 981 1710	137.203	002	25
015 981 1605	130.558	009A	6	008 981 9410	137.186	003	38	009 981 1710	137.203	003	24
015 981 1605	130.558	013A	15	008 981 9410	137.186	005	23	009 981 1710	137.203	007	35
015 981 1605	130.558	016A	13	008 981 9410	137.186	005	25	009 981 1810	137.201	001	27
015 981 2005	130.561	011A	14b	008 981 9410	137.186	007	44	009 981 1810	137.201	002	27
015 981 2005	130.561	012A	15b	008 981 9410	137.186	007	49	009 981 1810	137.201	003	26
015 981 2005	130.561	013A	16b	008 981 9410	137.186	011A	4	009 981 1810	137.201	005	25
015 981 2005	130.561	013A	17	008 981 9410	137.186	012A	5	009 981 1810	137.201	007	37
015 981 2005	130.561	014A	16a	008 981 9510	See 009 981 1710			009 981 1910	See 009 981 4510		
015 981 2005	130.561	015A	16a	008 981 9610	See 009 981 1810			009 981 3010	See 009 981 3110		
015 981 4005	See 012 981 3705			008 981 9710	137.199	001	27	009 981 3110	137.214	005	36
015 981 6105	130.560	013A	17	008 981 9710	137.199	002	27	009 981 3410	See 009 981 3510		
015 981 6105	130.560	016A	14	008 981 9710	137.199	003	26	009 981 3510	137.226	005	16
015 981 6205	130.559	013A	24	008 981 9710	137.199	007	37	009 981 3610	137.220	005	13
015 981 6205	130.559	016A	16	008 981 9810	See 021 981 9410			009 981 3710	See 009 981 3610		
015 981 7605	See 015 981 2005			008 981 9910	137.205	001	17	009 981 4510	137.190	007	5
015 981 7705	See 014 981 1605			008 981 9910	137.205	002	17	009 981 4510	137.190	009A	13
015 981 8405	See 011 981 1305			008 981 9910	137.205	003	16	010 981 1110	See 010 981 4410		
015 981 8505	See 014 981 1905			008 981 9910	137.205	007	27	010 981 1210	137.211	002	25
007 981 2810	137.212	002	14	009 981 0010	See 008 981 8310			010 981 1210	137.211	002	27
007 981 3210	See 007 981 2810			009 981 0110	137.210	002	34	010 981 1210	137.211	005	32
007 981 5510	137.204	001	25	009 981 0110	137.210	005	41	010 981 1210	137.211	005	41
007 981 5510	137.204	002	25	009 981 0110	137.210	006	68	010 981 1210	137.211	006	25
007 981 5510	137.204	003	24	009 981 0210	137.208	002	17	010 981 1210	137.211	006	38
007 981 5510	137.204	004	29	009 981 0310	See 010 981 1210			010 981 1510	137.224	006	4
007 981 5510	137.204	007	35	009 981 1410	137.184	001	14	010 981 1710	137.209	002	39
008 981 8310	137.182	001	14	009 981 1410	137.184	002	14	010 981 1710	137.209	006	49
008 981 8310	137.182	002	14	009 981 1410	137.184	003	13	010 981 2610	See 010 981 4810		
008 981 8310	137.182	003	13	009 981 1410	137.184	007	24	010 981 4410	137.222	006	28
008 981 8310	137.182	007	24	009 981 1410	137.184	008A	12	010 981 4510	See 010 981 1710		
008 981 8310	137.182	008A	24	009 981 1510	137.187	001	17	010 981 4610	See 010 981 1510		
008 981 8410	See 008 981 9910			009 981 1510	137.187	002	17	010 981 4710	See 010 981 4910		
008 981 8510	See 021 981 9410			009 981 1510	137.187	003	16	010 981 4810	137.221	006	36
008 981 8610	See 007 981 5510			009 981 1510	137.187	004	21	010 981 4910	137.223	006	16
008 981 8710	See 008 981 9710			009 981 1510	137.187	007	27	010 981 5110	137.202	001	51
008 981 8810	See 010 981 1210			009 981 1510	137.187	011A	41	010 981 5110	137.202	002	53
008 981 8910	See 009 981 0110			009 981 1510	137.187	012A	40	010 981 5110	137.202	003	53
008 981 9010	See 009 981 0210			009 981 1510	137.187	013A	49	010 981 5110	137.202	005	53
008 981 9210	See 009 981 1410			009 981 1510	137.187	014A	39	010 981 5110	137.202	006	64
008 981 9310	See 009 981 1510			009 981 1510	137.187	015A	39	010 981 5110	137.202	007	65

Date

01 / 2004

Table

Index

Index **MERCEDES**

MB no.	CEI no.	Tab.	Fig.	MB no.	CEI no.	Tab.	Fig.	MB no.	CEI no.	Tab.	Fig.
010 981 5210	137.207	001	51	013 981 2910	See 013 981 2210			019 981 0710	See 011 981 7610		
010 981 5210	137.207	002	53	013 981 5210	See 013 981 6510			019 981 0810	See 008 981 9410		
010 981 5210	137.207	003	53	013 981 5310	137.183	008A	31	019 981 0910	See 008 981 8310		
010 981 5210	137.207	007	65	013 981 5710	See 013 981 5310			019 981 1310	See 012 981 8910		
010 981 5310	See 018 981 6610			013 981 6210	See 013 981 6410			019 981 3410	See 007 981 5510		
010 981 6410	See 018 981 6610			013 981 6410	137.173	010A	4	019 981 4410	See 008 981 8310		
010 981 6510	See 010 981 5210			013 981 6510	137.185	008A	35	019 981 5110	See 016 981 0010		
010 981 8610	See 010 981 9310			014 981 3410	See 010 981 1210			019 981 5210	See 018 981 6610		
010 981 9110	See 010 981 9510			014 981 3910	137.176	010A	20	019 981 9010	137.193	009A	33
010 981 9210	137.219	005	36	014 981 4110	See 013 981 6410			019 981 9110	See 009 981 4510		
010 981 9310	137.216	005	23	014 981 4310	137.179	010A	31	019 981 9210	137.191	009A	14
010 981 9410	See 010 981 5110			014 981 5210	See 014 981 3910			019 981 9810	See 021 981 1710		
010 981 9510	137.215	005	13	014 981 5310	See 014 981 4310			019 981 9910	See 021 981 1710		
010 981 9610	See 010 981 9210			015 981 0210	See 013 981 1210			020 981 0010	See 019 981 9010		
011 981 7610	137.213	004	17	015 981 4110	137.225	004	58	020 981 0110	See 019 981 9210		
011 981 9510	See 011 981 7610			015 981 9810	See 016 981 0010			021 981 1610	See 018 981 6610		
012 981 8910	137.181	008A	46	016 981 0010	137.188	009A	27	021 981 1710	137.192	009A	25
012 981 8910	137.181	009A	42	016 981 0010	137.188	013A	8	021 981 9410	137.198	001	38
012 981 8910	137.181	011A	52	016 981 0010	137.188	016A	6	021 981 9410	137.198	002	34
012 981 8910	137.181	012A	51	016 981 0210	137.174	010A	4	021 981 9410	137.198	002	39
012 981 8910	137.181	013A	59	016 981 6710	See 016 981 0210			021 981 9410	137.198	003	33
012 981 8910	137.181	014A	50	016 981 9610	See 018 981 6610			021 981 9410	137.198	003	38
012 981 8910	137.181	015A	50	017 981 0210	See 008 981 8310			021 981 9410	137.198	004	39
012 981 8910	137.181	016A	49	017 981 7910	See 007 981 5510			021 981 9410	137.198	004	44
012 981 9010	See 012 981 8910			018 981 0410	See 007 981 5510			021 981 9410	137.198	005	32
012 981 9110	See 009 981 1510			018 981 6410	137.189	014A	7	021 981 9410	137.198	007	44
012 981 9210	See 008 981 8310			018 981 6410	137.189	015A	7	021 981 9410	137.198	007	49
012 981 9310	See 018 981 6610			018 981 6510	See 018 981 6410			000 981 6712	137.217	005	16
012 981 9410	See 008 981 9410			018 981 6610	137.177	008A	14	001 981 8812	See 001 981 8912		
013 981 0210	See 012 981 8910			018 981 6610	137.177	010A	22	001 981 8912	130.586	007	14
013 981 1210	137.200	001	38	018 981 6610	137.177	011A	26	001 981 9412	130.584	006	11
013 981 1210	137.200	002	39	018 981 6610	137.177	012A	25	002 981 1312	137.206	001	5
013 981 1210	137.200	003	38	018 981 6610	137.177	013A	32	002 981 1312	137.206	002	5
013 981 1210	137.200	007	49	018 981 6610	137.177	014A	25	002 981 1312	137.206	003	5
013 981 1710	137.180	010A	37	018 981 6610	137.177	015A	25	002 981 1312	137.206	007	16
013 981 1810	See 013 981 1710			018 981 6610	137.177	016A	24	002 981 1412	130.579	002	5
013 981 1910	See 013 981 2510			018 981 7410	See 007 981 5510			002 981 1412	130.579	005	5
013 981 2010	See 013 981 2210			018 981 7910	See 007 981 5510			002 981 2012	See 002 981 1312		
013 981 2110	See 013 981 2510			018 981 8210	See 018 981 6410			002 981 2112	See 002 981 1412		
013 981 2210	137.175	010A	48	018 981 8610	See 016 981 0010			002 981 2312	See 001 981 9412		
013 981 2510	137.178	010A	31	018 981 8710	See 016 981 0010			327 981 0212	See 000 981 6712		
013 981 2610	See 013 981 1710			019 981 0510	See 015 981 4110			003 981 9125	130.583	006	14
013 981 2710	See 010 981 4810			019 981 0610	See 021 981 9410			003 981 9225	See 004 981 5525		

All original equipment manufacturers numbers, symbols, pictures, models and description used in this catalogue are for reference only, and it is not implied that any part listed is the product of these manufacturers.
Tutti i nostri particolari non sono originali ma con essi intercambiabili. I riferimenti originali, le figure, i modelli sono esposti a semplice titolo indicativo. La nostra produzione riporta il nostro marchio.

MERCEDES Index

MB no.	CEI no.	Tab.	Fig.	MB no.	CEI no.	Tab.	Fig.	MB no.	CEI no.	Tab.	Fig.
003 981 9325	See 004 981 5525			008 981 3025	130.564	009B	20	012 997 4447	See 017 997 7947		
003 981 9425	See 003 981 9125			008 981 3025	130.564	013B	20	013 997 5547	See 013 997 7247		
004 981 5525	130.578	002	44	008 981 3025	130.564	014B	20	013 997 5647	See 013 997 7347		
004 981 5525	130.578	006	54	008 981 3025	130.564	015B	20	013 997 7247	139.551	008B	18
004 981 7925	See 004 981 5525			008 981 3025	130.564	016B	20	013 997 7247	139.551	009B	21
004 981 8525	See 004 981 9325			008 981 3225	See 004 981 9225			013 997 7247	139.551	010B	18
004 981 8625	See 004 981 9225			008 981 5225	See 008 981 3025			013 997 7247	139.551	011B	18
004 981 8725	See 008 981 1325			008 981 5325	See 008 981 1325			013 997 7247	139.551	012B	20
004 981 8825	See 008 981 1325			002 981 1580	130.548	010A	16b	013 997 7247	139.551	013B	21
004 981 8925	See 004 981 9325			002 981 1580	130.548	011A	16b	013 997 7247	139.551	014B	21
004 981 9025	See 004 981 9225			002 981 1580	130.548	012A	17b	013 997 7247	139.551	015B	21
004 981 9225	130.538	008B	23	002 981 1580	130.548	013A	23	013 997 7247	139.551	016B	21
004 981 9225	130.538	009B	27	002 981 1680	130.555	011A	14c	013 997 7347	139.552	008B	19
004 981 9225	130.538	010B	23	002 981 1680	130.555	012A	15c	013 997 7347	139.552	009B	21
004 981 9225	130.538	011B	23	002 981 1680	130.555	013A	16c	013 997 7347	139.552	009B	22
004 981 9225	130.538	012B	25	000 981 4186	171.057	008B	4	013 997 7347	139.552	010B	19
004 981 9225	130.538	013B	27	000 981 4186	171.057	009B	4	013 997 7347	139.552	011B	19
004 981 9225	130.538	014B	27	000 981 4186	171.057	011B	4	013 997 7347	139.552	012B	21
004 981 9225	130.538	015B	27	000 981 4186	171.057	012B	4	013 997 7347	139.552	013B	21
004 981 9225	130.538	016B	27	000 981 4186	171.057	013B	4	013 997 7347	139.552	013B	22
004 981 9325	130.539	008B	17	000 981 4186	171.057	014B	4	013 997 7347	139.552	014B	21
004 981 9325	130.539	010B	17	000 981 4186	171.057	015B	4	013 997 7347	139.552	014B	22
004 981 9325	130.539	011B	17	000 981 4186	171.057	016B	4	013 997 7347	139.552	015B	21
004 981 9325	130.539	012B	19	000 981 4386	See 000 981 4186			013 997 7347	139.552	015B	22
004 981 9325	130.539	013B	20	001 981 2787	See 001 981 2887			013 997 7347	139.552	016B	21
004 981 9425	See 008 981 1325			001 981 2887	171.056	008B	4	013 997 7347	139.552	016B	22
006 981 8225	See 004 981 9225			001 981 2887	171.056	011B	4	014 997 1947	See 013 997 7247		
007 981 3325	See 008 981 3025			001 981 2987	See 001 981 2887			015 997 0347	139.548	001	2
007 981 3725	See 008 981 3025			001 981 3087	See 001 981 3287			015 997 0347	139.548	002	2
007 981 4025	See 008 981 3025			001 981 3187	See 001 981 3287			015 997 0347	139.548	003	2
007 981 7125	See 008 981 3025			001 981 3287	171.055	010B	4	015 997 0347	139.548	005	2
007 981 7425	See 008 981 3025			945 990 0050	187.611	004	7	015 997 0347	139.548	005	2
008 981 1325	130.540	008B	8	945 990 0150	See 945 990 0050			015 997 0347	139.548	006	2
008 981 1325	130.540	009B	8	387 990 0251	187.612	006	13	015 997 0347	139.548	007	2
008 981 1325	130.540	010B	8	007 997 9647		001	2	015 997 0347	139.548	010A	2
008 981 1325	130.540	011B	8	007 997 9647		002	2	015 997 0447	See 015 997 0347		
008 981 1325	130.540	012B	8	007 997 9647		003	2	015 997 0547	See 015 997 0347		
008 981 1325	130.540	013B	8	007 997 9647		005	2	015 997 0647	See 015 997 1647		
008 981 1325	130.540	014B	8	007 997 9847	See 017 997 2547			015 997 1647	139.549	002	2
008 981 1325	130.540	015B	8	008 997 0047	See 017 997 7947			015 997 1647	139.549	002	2
008 981 1325	130.540	016B	8	008 997 0347	See 017 997 2547			015 997 1647	139.549	003	2
008 981 1425	See 008 981 3025			008 997 7647	See 017 997 7947			015 997 1647	139.549	004	2
008 981 1525	See 008 981 1325			012 997 2347	See 017 997 7947			015 997 1647	139.549	005	2

Date

01 / 2004

Table

Index

Index **MERCEDES**

MB no.	CEI no.	Tab.	Fig.	MB no.	CEI no.	Tab.	Fig.	MB no.	CEI no.	Tab.	Fig.
015 997 1647	139.549	007	2	019 997 0547	139.556	015A	2				
015 997 1647	139.549	008A	2	019 997 0547	139.556	016A	3				
015 997 1647	139.549	009A	2	019 997 0647	See 019 997 0547						
015 997 1647	139.549	010A	2	020 997 1747	See 019 997 0547						
015 997 1647	139.549	011A	2	022 997 8547	See 019 997 0547						
015 997 1647	139.549	012A	3	023 997 0647	See 019 997 0547						
015 997 4247	See 013 997 7347			023 997 1647	See 013 997 7347						
015 997 6447	139.557	009B	21	023 997 7847	See 019 997 0547						
015 997 6447	139.557	013B	21	024 997 2147	See 015 997 1647						
015 997 6447	139.557	014B	21	029 997 5748	111.208	008B	25				
015 997 6447	139.557	015B	21	029 997 5748	111.208	009B	29				
015 997 6447	139.557	016B	21	029 997 5748	111.208	010B	25				
015 997 6647	See 015 997 6447			029 997 5748	111.208	011B	25				
017 997 1247	139.558	009B	22	029 997 5748	111.208	012B	27				
017 997 1247	139.558	013B	22	029 997 5748	111.208	013B	29				
017 997 1247	139.558	014B	22	029 997 5748	111.208	014B	29				
017 997 1247	139.558	015B	22	029 997 5748	111.208	015B	29				
017 997 1247	139.558	016B	21	029 997 5748	111.208	016B	29				
017 997 2547	139.564	001	40	00914 00610	187.609	008B	3				
017 997 2547	139.564	002	42	00914 00610	187.609	009B	3				
017 997 2547	139.564	003	41	00914 00610	187.609	010B	3				
017 997 2547	139.564	004	46	00914 00610	187.609	011B	3				
017 997 2547	139.564	005	42	00914 00610	187.609	012B	3				
017 997 2547	139.564	006	52	00914 00610	187.609	013B	3				
017 997 2547	139.564	007	51	00914 00610	187.609	014B	3				
017 997 7347	See 017 997 1247			00914 00610	187.609	015B	3				
017 997 7947	139.563	001	41	00914 00610	187.609	016B	3				
017 997 7947	139.563	002	43								
017 997 7947	139.563	003	42								
017 997 7947	139.563	004	47								
017 997 7947	139.563	005	43								
017 997 7947	139.563	006	53								
017 997 7947	139.563	007	52								
017 997 8747	See 017 997 2547										
018 997 7147	139.554	011A	10								
018 997 7147	139.554	012A	11								
018 997 7547	See 018 997 7147										
018 997 8447	139.550	010A	10								
018 997 8547	See 018 997 8447										
019 997 0347	See 019 997 0547										
019 997 0447	See 019 997 0547										
019 997 0547	139.556	013A	5								
019 997 0547	139.556	014A	2								

All original equipment manufacturers numbers, symbols, pictures, models and description used in this catalogue are for reference only, and it is not implied that any part listed is the product of these manufacturers.
Tutti i nostri particolari non sono originali ma con essi intercambiabili. I riferimenti originali, le figure, i modelli sono esposti a semplice titolo indicativo. La nostra produzione riporta il nostro marchio.

CEI Index

CEI no.	MB no.	Tab.	Fig.	CEI no.	MB no.	Tab.	Fig.	CEI no.	MB no.	Tab.	Fig.
101.123	389 269 1210	008B	21	102.285	945 262 1301	016A	11	103.149	945 262 3605	016A	25
101.123	389 269 1210	009B	25	102.286	945 262 1602	009A	5	103.150	389 262 2405	013A	33
101.123	389 269 1210	010B	21	102.287	945 262 4902	009A	5	103.151	945 262 1205	009A	26
101.123	389 269 1210	011B	21	102.288	945 262 2602	009A	5	103.153	387 262 2005	001	26
101.123	389 269 1210	012B	23	102.289	945 262 4202	009A	5	103.153	387 262 2005	002	26
101.123	389 269 1210	013B	25	102.290	389 262 7601	015A	13	103.153	387 262 2005	003	25
101.123	389 269 1210	014B	25	102.292	387 262 4202	001	4	103.153	387 262 2005	007	36
101.123	389 269 1210	015B	25	102.292	387 262 4202	002	4	103.154	387 262 2105	001	26
101.123	389 269 1210	016B	25	102.293	387 262 4402	001	4	103.154	387 262 2105	002	26
101.124	389 269 1310	009B	25	102.293	387 262 4402	002	4	103.154	387 262 2105	003	25
101.124	389 269 1310	013B	25	102.295	387 262 4002	002	4	103.154	387 262 2105	007	36
101.124	389 269 1310	014B	25	102.296	387 262 7602	002	4	103.155	387 262 2405	001	26
101.124	389 269 1310	015B	25	102.297	387 262 7202	002	4	103.155	387 262 2405	002	26
101.124	389 269 1310	016B	25	102.298	387 262 6402	002	4	103.155	387 262 2405	003	25
102.205	387 262 6202	003	4	102.299	387 262 6002	002	4	103.155	387 262 2405	007	36
102.263	389 262 3102	004	5	102.300	387 262 4302	002	4	103.157	387 262 1905	005	24
102.265	389 262 1501	010A	9	102.301	387 262 6702	002	4	103.158	387 262 1705	002	26
102.266	389 262 3901	010A	9	102.302	387 262 4502	003	4	103.159	389 262 1705	004	30
102.267	389 262 2001	010A	9	102.303	387 262 6302	003	4	103.160	389 262 2505	004	30
102.267	389 262 2001	010A	9	102.304	387 262 7702	005	4	103.161	387 262 1805	005	24
102.268	389 262 4201	010A	9	102.305	652 262 0002	005	4	105.087	387 263 1102	006	61
102.268	389 262 4201	010A	9	102.306	387 262 6102	005	4	105.127	389 263 0102	010A	44
102.269	389 262 3502	008A	4	102.307	387 262 6802	005	4	105.128	389 263 0702	010A	44
102.270	389 262 3701	011A	9	102.308	387 262 7502	005	4	105.129	389 263 0902	008A	42
102.271	389 262 2901	011A	9	102.309	387 262 4602	005	4	105.130	389 263 0302	011A	48
102.271	389 262 2901	012A	10	102.310	387 262 5202	005	4	105.131	389 263 0802	011A	48
102.272	389 262 3101	012A	10	102.311	387 262 2202	007	15	105.131	389 263 0802	012A	47
102.273	945 262 4403	013A	13	102.312	387 262 1301	007	3	105.132	389 263 2502	013A	56
102.273	945 262 4403	016A	11	102.312	387 262 1301	007	3	105.132	389 263 2502	014A	47
102.274	389 262 8301	013A	13	102.313	387 262 1801	007	3	105.132	389 263 2502	015A	47
102.274	389 262 8301	016A	11	102.313	387 262 1801	007	3	105.132	389 263 2502	016A	46
102.275	389 262 8201	013A	13	102.314	387 262 1501	007	3	105.133	945 263 0302	009A	39
102.276	389 262 6501	013A	13	102.314	387 262 1501	007	3	105.135	387 263 2002	001	48
102.277	945 262 2401	013A	13	102.315	387 262 2402	007	15	105.135	387 263 2002	002	50
102.278	389 262 7901	014A	13	103.144	387 262 0905	006	37	105.136	387 263 1902	001	48
102.278	389 262 7901	015A	13	103.145	389 262 1605	010A	21	105.136	387 263 1902	002	50
102.279	945 262 1901	014A	13	103.146	389 262 2005	010A	21	105.137	387 263 0102	002	50
102.280	945 262 6701	014A	13	103.147	389 262 1305	008A	13	105.138	387 263 2902	002	50
102.281	945 262 5401	014A	13	103.148	389 262 1505	011A	27	105.138	387 263 2902	003	50
102.282	945 262 3201	014A	13	103.148	389 262 1505	012A	26	105.139	387 263 2802	003	50
102.282	945 262 3201	015A	13	103.149	945 262 3605	013A	33	105.140	389 263 1102	004	54
102.283	389 262 5601	013A	13	103.149	945 262 3605	014A	26	105.141	387 263 2702	005	50
102.284	389 262 6601	013A	13	103.149	945 262 3605	015A	26	105.142	387 263 3002	005	50

Date

01 / 2004

Table

Index

CEI no.	MB no.	Tab.	Fig.	CEI no.	MB no.	Tab.	Fig.	CEI no.	MB no.	Tab.	Fig.
105.143	387 263 2602	005	50	109.131	389 262 5634	012A	14	109.337	389 262 9234	009B	19a
105.144	387 263 2102	007	63	109.187	945 262 0434	004	32	109.337	389 262 9234	013B	19b
105.145	387 263 2202	007	63	109.187	945 262 0434	004	37	109.337	389 262 9234	014B	19a
107.172	389 263 0130	010A	50	109.187	945 262 0434	008A	21	109.337	389 262 9234	015B	19a
107.173	389 263 0330	008A	48	109.187	945 262 0434	009A	22	109.337	389 262 9234	016B	19a
107.174	976 263 0030	009A	44	109.187	945 262 0434	010A	24	109.338	389 262 2334	008B	16a
107.174	976 263 0030	011A	54	109.187	945 262 0434	011A	29	109.338	389 262 2334	010B	16a
107.174	976 263 0030	012A	53	109.187	945 262 0434	012A	28	109.338	389 262 2334	011B	16a
107.174	976 263 0030	013A	61	109.187	945 262 0434	013A	36	109.339	389 262 0534	008A	16
107.174	976 263 0030	014A	52	109.187	945 262 0434	014A	28	109.340	389 262 0140	008A	29
107.174	976 263 0030	015A	52	109.187	945 262 0434	015A	28	109.341	945 264 0220	013B	19c
107.174	976 263 0030	016A	51	109.187	945 262 0434	016A	27	109.341	945 264 0220	016B	19b
107.177	387 263 1430	001	53	109.188	389 262 4034	008B	16a	109.342	389 264 0730	009B	19b
107.177	387 263 1430	002	55	109.188	389 262 4034	010B	16a	109.342	389 264 0730	013B	19c
107.177	387 263 1430	003	55	109.188	389 262 4034	011B	16a	109.342	389 264 0730	014B	19b
107.177	387 263 1430	005	55	109.188	389 262 4034	012B	18a	109.342	389 264 0730	015B	19b
107.177	387 263 1430	007	67	109.189	945 262 0534	009A	17	109.342	389 264 0730	016B	19b
107.178	387 263 0830	001	53	109.189	945 262 0534	011A	17	109.343	387 262 4834	001	18
107.178	387 263 0830	002	55	109.189	945 262 0534	011A	24	109.343	387 262 4834	002	18
107.178	387 263 0830	003	55	109.189	945 262 0534	012A	18	109.343	387 262 4834	003	17
107.178	387 263 0830	007	67	109.189	945 262 0534	013A	21	109.343	387 262 4834	005	17
107.179	387 263 0630	002	55	109.189	945 262 0534	013A	31	109.343	387 262 4834	007	28
107.179	387 263 0630	006	66	109.189	945 262 0534	014A	18	109.344	387 262 5034	001	6
107.180	976 263 0330	004	59	109.189	945 262 0534	015A	18	109.344	387 262 5034	002	6
107.181	387 263 0730	005	55	109.189	945 262 0534	016A	17	109.344	387 262 5034	007	17
109.128	387 262 3034	006	12	109.328	389 262 1134	004	9	109.346	387 262 4934	002	11
109.129	387 262 5134	002	6	109.329	389 262 5334	004	14	109.346	387 262 4934	005	11
109.129	387 262 5134	003	6	109.329	389 262 5334	013A	20	109.347	389 262 5934	002	18
109.130	387 262 4534	001	18	109.329	389 262 5334	013A	21	109.347	389 262 5934	006	29
109.130	387 262 4534	002	18	109.330	387 262 2534	006	22	109.348	389 262 8534	004	9
109.130	387 262 4534	003	17	109.331	387 262 2934	006	5	109.349	945 262 5034	004	22
109.130	387 262 4534	005	17	109.332	387 262 3234	007	6	109.350	945 262 4834	004	37
109.130	387 262 4534	007	28	109.333	389 262 8434	004	14	109.351	945 262 4934	004	32
109.131	389 262 5634	001	11	109.334	389 262 9134	008B	16b	109.352	387 262 5234	005	6
109.131	389 262 5634	002	11	109.334	389 262 9134	010B	16b	109.353	387 262 5334	006	17
109.131	389 262 5634	002	18	109.334	389 262 9134	011B	16b	109.354	387 262 3634	007	11
109.131	389 262 5634	003	11	109.334	389 262 9134	012B	18b	111.204	387 262 1093	001	7
109.131	389 262 5634	006	29	109.335	945 262 0334	004	22	111.204	387 262 1093	001	19
109.131	389 262 5634	007	22	109.335	945 262 0334	009A	7	111.204	387 262 1093	002	7
109.131	389 262 5634	008A	6	109.335	945 262 0334	013A	20	111.204	387 262 1093	002	19
109.131	389 262 5634	010A	13	109.335	945 262 0334	014A	9	111.204	387 262 1093	003	7
109.131	389 262 5634	011A	13	109.335	945 262 0334	015A	9	111.204	387 262 1093	003	18
109.131	389 262 5634	011A	17	109.336	389 262 4434	013B	19a	111.204	387 262 1093	004	10

All original equipment manufacturers numbers, symbols, pictures, models and description used in this catalogue are for reference only, and it is not implied that any part listed is the product of these manufacturers.
Tutti i nostri particolari non sono originali ma con essi intercambiabili. I riferimenti originali, le figure, i modelli sono esposti a semplice titolo indicativo. La nostra produzione riporta il nostro marchio.

CEI Index

CEI no.	MB no.	Tab.	Fig.	CEI no.	MB no.	Tab.	Fig.	CEI no.	MB no.	Tab.	Fig.
111.204	387 262 1093	004	23	111.206	389 262 0293	009B	14	117.324	389 263 0850	015A	51
111.204	387 262 1093	005	7	111.206	389 262 0293	010B	11	117.324	389 263 0850	016A	50
111.204	387 262 1093	005	18	111.206	389 262 0293	011B	11	117.325	389 262 3754	008A	37
111.204	387 262 1093	006	6	111.206	389 262 0293	012B	13	117.325	389 262 3754	009A	35
111.204	387 262 1093	006	18	111.206	389 262 0293	013B	14	117.325	389 262 3754	011A	43
111.204	387 262 1093	006	30	111.206	389 262 0293	014B	14	117.325	389 262 3754	012A	42
111.204	387 262 1093	007	7	111.206	389 262 0293	015B	14	117.325	389 262 3754	013A	51
111.204	387 262 1093	007	18	111.206	389 262 0293	016B	14	117.325	389 262 3754	014A	41
111.204	387 262 1093	007	29	111.208	029 997 5748	008B	25	117.325	389 262 3754	015A	41
111.204	387 262 1093	008A	7	111.208	029 997 5748	009B	29	117.325	389 262 3754	016A	41
111.204	387 262 1093	009A	8	111.208	029 997 5748	010B	25	117.326	389 262 0152	008A	37
111.204	387 262 1093	010A	6	111.208	029 997 5748	011B	25	117.326	389 262 0152	011A	43
111.204	387 262 1093	011A	6	111.208	029 997 5748	012B	27	117.327	389 262 1650	011A	40
111.204	387 262 1093	011A	18	111.208	029 997 5748	013B	29	117.327	389 262 1650	012A	39
111.204	387 262 1093	012A	7	111.208	029 997 5748	014B	29	117.327	389 262 1650	013A	48
111.204	387 262 1093	013A	10	111.208	029 997 5748	015B	29	117.327	389 262 1650	014A	38
111.204	387 262 1093	013A	25	111.208	029 997 5748	016B	29	117.327	389 262 1650	015A	38
111.204	387 262 1093	014A	10	111.209	389 262 0773	009B	11	117.327	389 262 1650	016A	38
111.204	387 262 1093	015A	10	111.209	389 262 0773	012B	10	117.329	387 262 1450	001	37
111.204	387 262 1093	016A	8	111.209	389 262 0773	013B	11	117.329	387 262 1450	002	38
111.205	387 262 0893	001	29	111.209	389 262 0773	014B	11	117.329	387 262 1450	003	37
111.205	387 262 0893	002	29	111.209	389 262 0773	015B	11	117.329	387 262 1450	007	48
111.205	387 262 0893	003	28	111.209	389 262 0773	016B	11	117.330	387 262 0550	001	15
111.205	387 262 0893	004	33	117.279	387 262 0150	001	15	117.330	387 262 0550	002	15
111.205	387 262 0893	005	27	117.279	387 262 0150	002	15	117.330	387 262 0550	003	14
111.205	387 262 0893	006	40	117.279	387 262 0150	003	14	117.330	387 262 0550	007	25
111.205	387 262 0893	007	39	117.279	387 262 0150	007	25	117.331	387 263 1250	001	50
111.205	387 262 0893	008A	17	117.322	389 262 0251	008B	15	117.331	387 263 1250	002	52
111.205	387 262 0893	009A	18	117.322	389 262 0251	009B	18	117.331	387 263 1250	003	52
111.205	387 262 0893	010A	25	117.322	389 262 0251	010B	15	117.331	387 263 1250	007	64
111.205	387 262 0893	011A	18	117.322	389 262 0251	011B	15	117.332	387 263 0850	001	50
111.205	387 262 0893	011A	30	117.322	389 262 0251	012B	17	117.332	387 263 0850	002	52
111.205	387 262 0893	012A	19	117.322	389 262 0251	013B	18	117.332	387 263 0850	003	52
111.205	387 262 0893	012A	29	117.322	389 262 0251	014B	18	117.332	387 263 0850	006	63
111.205	387 262 0893	013A	25	117.322	389 262 0251	015B	18	117.332	387 263 0850	007	64
111.205	387 262 0893	013A	37	117.322	389 262 0251	016B	18	117.333	387 262 0850	002	38
111.205	387 262 0893	014A	19	117.323	389 263 0950	010A	49	117.333	387 262 0850	006	48
111.205	387 262 0893	014A	29	117.324	389 263 0850	008A	47	117.334	387 262 0350	002	15
111.205	387 262 0893	015A	19	117.324	389 263 0850	009A	43	117.335	389 262 0650	004	18
111.205	387 262 0893	015A	29	117.324	389 263 0850	011A	53	117.336	389 262 1750	004	43
111.205	387 262 0893	016A	18	117.324	389 263 0850	012A	52	117.337	387 262 1350	005	14
111.205	387 262 0893	016A	28	117.324	389 263 0850	013A	60	117.338	387 263 1150	005	52
111.206	389 262 0293	008B	11	117.324	389 263 0850	014A	51	117.339	387 262 0750	005	14

Date

01 / 2004

Table

Index

CEI no.	MB no.	Tab.	Fig.	CEI no.	MB no.	Tab.	Fig.	CEI no.	MB no.	Tab.	Fig.
117.340	387 263 0750	005	52	119.161	389 262 0737	004	34	130.538	004 981 9225	015B	27
117.342	387 262 0950	006	26	119.161	389 262 0737	005	28	130.538	004 981 9225	016B	27
117.343	387 263 0550	007	59	119.161	389 262 0737	006	41	130.539	004 981 9325	008B	17
117.344	387 263 0050	007	57	119.161	389 262 0737	007	40	130.539	004 981 9325	010B	17
119.112	389 262 0637	001	8	119.161	389 262 0737	008A	18	130.539	004 981 9325	011B	17
119.112	389 262 0637	001	20	119.161	389 262 0737	009A	19	130.539	004 981 9325	012B	19
119.112	389 262 0637	002	8	119.161	389 262 0737	010A	26	130.539	004 981 9325	013B	20
119.112	389 262 0637	002	20	119.161	389 262 0737	011A	19	130.540	008 981 1325	008B	8
119.112	389 262 0637	003	8	119.161	389 262 0737	011A	31	130.540	008 981 1325	009B	8
119.112	389 262 0637	003	19	119.161	389 262 0737	012A	20	130.540	008 981 1325	010B	8
119.112	389 262 0637	004	11	119.161	389 262 0737	012A	30	130.540	008 981 1325	011B	8
119.112	389 262 0637	004	24	119.161	389 262 0737	013A	26	130.540	008 981 1325	012B	8
119.112	389 262 0637	005	8	119.161	389 262 0737	013A	38	130.540	008 981 1325	013B	8
119.112	389 262 0637	005	19	119.161	389 262 0737	014A	20	130.540	008 981 1325	014B	8
119.112	389 262 0637	006	7	119.161	389 262 0737	014A	30	130.540	008 981 1325	015B	8
119.112	389 262 0637	006	19	119.161	389 262 0737	015A	20	130.540	008 981 1325	016B	8
119.112	389 262 0637	006	31	119.161	389 262 0737	015A	30	130.541	010 981 5205	010A	45
119.112	389 262 0637	007	8	119.161	389 262 0737	016A	19	130.542	010 981 5905	002	51
119.112	389 262 0637	007	19	119.161	389 262 0737	016A	29	130.542	010 981 5905	005	51
119.112	389 262 0637	007	30	123.227	389 262 0308	010B	9	130.542	010 981 5905	006	56
119.112	389 262 0637	008A	8	123.228	389 262 0208	008B	9	130.542	010 981 5905	010A	41
119.112	389 262 0637	009A	9	123.228	389 262 0208	011B	9	130.543	008 981 8005	010A	38
119.112	389 262 0637	010A	7	123.229	389 262 0408	012B	9	130.544	009 981 0705	010A	11
119.112	389 262 0637	011A	7	123.230	945 262 0108	009B	9	130.545	010 981 2405	010A	14
119.112	389 262 0637	011A	19	123.230	945 262 0108	013B	9	130.546	011 981 7705	010A	16a
119.112	389 262 0637	012A	8	123.230	945 262 0108	013B	9	130.546	011 981 7705	011A	16a
119.112	389 262 0637	013A	11	123.230	945 262 0108	014B	9	130.546	011 981 7705	012A	17a
119.112	389 262 0637	013A	26	123.230	945 262 0108	015B	9	130.546	011 981 7705	013A	22
119.112	389 262 0637	014A	11	123.230	945 262 0108	016B	9	130.547	014 981 1605	010A	16c
119.112	389 262 0637	015A	11	123.231	389 262 0608	013B	9	130.547	014 981 1605	011A	16c
119.112	389 262 0637	016A	9	123.232	945 262 0208	009B	10	130.547	014 981 1605	012A	17c
119.160	389 262 0537	008B	12	123.232	945 262 0208	013B	10	130.547	014 981 1605	013A	24
119.160	389 262 0537	009B	15	123.232	945 262 0208	013B	10	130.547	014 981 1605	014A	16b
119.160	389 262 0537	010B	12	123.232	945 262 0208	014B	10	130.547	014 981 1605	015A	16b
119.160	389 262 0537	011B	12	123.232	945 262 0208	015B	10	130.548	002 981 1580	010A	16b
119.160	389 262 0537	012B	14	123.232	945 262 0208	016B	10	130.548	002 981 1580	011A	16b
119.160	389 262 0537	013B	15	130.538	004 981 9225	008B	23	130.548	002 981 1580	012A	17b
119.160	389 262 0537	014B	15	130.538	004 981 9225	009B	27	130.548	002 981 1580	013A	23
119.160	389 262 0537	015B	15	130.538	004 981 9225	010B	23	130.549	009 981 6205	010A	3
119.160	389 262 0537	016B	15	130.538	004 981 9225	011B	23	130.550	011 981 1305	004	4
119.161	389 262 0737	001	30	130.538	004 981 9225	012B	25	130.550	011 981 1305	008A	3
119.161	389 262 0737	002	30	130.538	004 981 9225	013B	27	130.550	011 981 1305	009A	4
119.161	389 262 0737	003	29	130.538	004 981 9225	014B	27	130.550	011 981 1305	011A	3

All original equipment manufacturers numbers, symbols, pictures, models and description used in this catalogue are for reference only, and it is not implied that any part listed is the product of these manufactures.
Tutti i nostri particolari non sono originali ma con essi intercambiabili. I riferimenti originali, le figure, i modelli sono esposti a semplice titolo indicativo. La nostra produzione riporta il nostro marchio.

CEI Index

CEI no.	MB no.	Tab.	Fig.	CEI no.	MB no.	Tab.	Fig.	CEI no.	MB no.	Tab.	Fig.
130.550	011 981 1305	012A	4	130.558	015 981 1605	013A	15	130.576	008 981 9501	002	3
130.550	011 981 1305	013A	7	130.558	015 981 1605	016A	13	130.576	008 981 9501	005	3
130.550	011 981 1305	014A	6	130.559	015 981 6205	013A	24	130.576	008 981 9501	006	9
130.550	011 981 1305	015A	6	130.559	015 981 6205	016A	16	130.577	007 981 2001	002	3
130.550	011 981 1305	016A	5	130.560	015 981 6105	013A	17	130.577	007 981 2001	005	3
130.551	008 981 4005	008A	5	130.560	015 981 6105	016A	14	130.577	007 981 2001	006	9
130.551	008 981 4005	011A	11	130.561	015 981 2005	011A	14b	130.578	004 981 5525	002	44
130.551	008 981 4005	012A	12	130.561	015 981 2005	012A	15b	130.578	004 981 5525	006	54
130.552	012 981 9305	008A	36	130.561	015 981 2005	013A	16b	130.579	002 981 1412	002	5
130.552	012 981 9305	009A	34	130.561	015 981 2005	013A	17	130.579	002 981 1412	005	5
130.552	012 981 9305	011A	42	130.561	015 981 2005	014A	16a	130.580	009 981 8905	004	48
130.552	012 981 9305	012A	41	130.561	015 981 2005	015A	16a	130.581	012 981 3705	004	48
130.552	012 981 9305	013A	50	130.562	011 981 6005	013A	17	130.582	008 981 8901	005	44
130.552	012 981 9305	014A	40	130.563	007 981 8201	009B	20	130.583	003 981 9125	006	14
130.552	012 981 9305	015A	40	130.563	007 981 8201	013B	20	130.584	001 981 9412	006	11
130.552	012 981 9305	016A	40	130.563	007 981 8201	014B	20	130.585	004 981 3601	007	58
130.553	012 981 9205	008A	43	130.563	007 981 8201	015B	20	130.586	001 981 8912	007	14
130.553	012 981 9205	009A	40	130.563	007 981 8201	016B	20	130.587	012 981 3605	004	68
130.553	012 981 9205	011A	49	130.564	008 981 3025	009B	20	135.130	389 261 4418	010A	1
130.553	012 981 9205	012A	48	130.564	008 981 3025	013B	20	135.131	389 261 3318	008A	1
130.553	012 981 9205	013A	57	130.564	008 981 3025	014B	20	135.131	389 261 3318	010A	1
130.553	012 981 9205	014A	48	130.564	008 981 3025	015B	20	135.131	389 261 3318	010A	1
130.553	012 981 9205	015A	48	130.564	008 981 3025	016B	20	135.131	389 261 3318	011A	1
130.553	012 981 9205	016A	47	130.571	009 981 3105	001	44	135.131	389 261 3318	012A	1
130.554	014 981 1405	004	50	130.571	009 981 3105	001	49	135.132	945 261 2818	013A	4
130.554	014 981 1405	008A	40	130.571	009 981 3105	002	46	135.132	945 261 2818	016A	2
130.554	014 981 1405	009A	37	130.571	009 981 3105	002	51	135.133	945 261 1218	013A	4
130.554	014 981 1405	011A	45	130.571	009 981 3105	003	46	135.133	945 261 1218	016A	2
130.554	014 981 1405	012A	44	130.571	009 981 3105	003	51	135.134	945 261 1118	009A	1
130.554	014 981 1405	013A	53	130.571	009 981 3105	005	46	135.134	945 261 1118	013A	2
130.554	014 981 1405	014A	44	130.571	009 981 3105	007	55	135.134	945 261 1118	014A	1
130.554	014 981 1405	015A	44	130.572	008 981 5301	001	42	135.134	945 261 1118	015A	1
130.554	014 981 1405	016A	43	130.572	008 981 5301	002	44	135.134	945 261 1118	016A	1
130.555	002 981 1680	011A	14c	130.572	008 981 5301	003	43	135.135	389 261 4518	013A	1
130.555	002 981 1680	012A	15c	130.572	008 981 5301	005	44	135.137	387 261 2218	001	1
130.555	002 981 1680	013A	16c	130.572	008 981 5301	007	53	135.137	387 261 2218	002	1
130.556	014 981 1905	014A	15	130.573	001 981 3105	002	46	135.137	387 261 2218	002	1
130.556	014 981 1905	015A	15	130.573	001 981 3105	005	46	135.137	387 261 2218	002	1
130.557	011 981 7605	011A	14a	130.574	008 981 5201	001	3	135.137	387 261 2218	003	1
130.557	011 981 7605	012A	15a	130.574	008 981 5201	002	3	135.137	387 261 2218	005	1
130.557	011 981 7605	013A	16a	130.574	008 981 5201	003	3	135.137	387 261 2218	007	1
130.558	015 981 1605	004	8	130.574	008 981 5201	005	3	135.137	387 261 2218	007	1
130.558	015 981 1605	009A	6	130.574	008 981 5201	007	13	135.138	387 261 2918	002	1

Date

01 / 2004

Table

Index

CEI no.	MB no.	Tab.	Fig.	CEI no.	MB no.	Tab.	Fig.	CEI no.	MB no.	Tab.	Fig.
135.138	387 261 2918	005	1	137.182	008 981 8310	003	13	137.198	021 981 9410	002	34
135.138	387 261 2918	007	1	137.182	008 981 8310	007	24	137.198	021 981 9410	002	39
135.138	387 261 2918	007	1	137.182	008 981 8310	008A	24	137.198	021 981 9410	003	33
135.139	389 261 0018	002	1	137.183	013 981 5310	008A	31	137.198	021 981 9410	003	38
135.139	389 261 0018	002	1	137.184	009 981 1410	001	14	137.198	021 981 9410	004	39
135.139	389 261 0018	005	1	137.184	009 981 1410	002	14	137.198	021 981 9410	004	44
135.139	389 261 0018	007	1	137.184	009 981 1410	003	13	137.198	021 981 9410	005	32
135.139	389 261 0018	007	1	137.184	009 981 1410	007	24	137.198	021 981 9410	007	44
135.140	387 261 2718	002	1	137.184	009 981 1410	008A	12	137.198	021 981 9410	007	49
135.141	387 261 2418	002	1	137.185	013 981 6510	008A	35	137.199	008 981 9710	001	27
135.141	387 261 2418	005	1	137.186	008 981 9410	001	38	137.199	008 981 9710	002	27
135.141	387 261 2418	006	1	137.186	008 981 9410	002	34	137.199	008 981 9710	003	26
135.142	387 261 2518	002	1	137.186	008 981 9410	002	39	137.199	008 981 9710	007	37
135.143	387 261 2318	003	1	137.186	008 981 9410	003	33	137.200	013 981 1210	001	38
135.144	389 261 4318	004	1	137.186	008 981 9410	003	38	137.200	013 981 1210	002	39
135.145	387 261 2018	002	1	137.186	008 981 9410	005	23	137.200	013 981 1210	003	38
135.145	387 261 2018	005	1	137.186	008 981 9410	005	25	137.200	013 981 1210	007	49
135.145	387 261 2018	006	1	137.186	008 981 9410	007	44	137.201	009 981 1810	001	27
137.173	013 981 6410	010A	4	137.186	008 981 9410	007	49	137.201	009 981 1810	002	27
137.174	016 981 0210	010A	4	137.186	008 981 9410	011A	4	137.201	009 981 1810	003	26
137.175	013 981 2210	010A	48	137.186	008 981 9410	012A	5	137.201	009 981 1810	005	25
137.176	014 981 3910	010A	20	137.187	009 981 1510	001	17	137.201	009 981 1810	007	37
137.177	018 981 6610	008A	14	137.187	009 981 1510	002	17	137.202	010 981 5110	001	51
137.177	018 981 6610	010A	22	137.187	009 981 1510	003	16	137.202	010 981 5110	002	53
137.177	018 981 6610	011A	26	137.187	009 981 1510	004	21	137.202	010 981 5110	003	53
137.177	018 981 6610	012A	25	137.187	009 981 1510	007	27	137.202	010 981 5110	005	53
137.177	018 981 6610	013A	32	137.187	009 981 1510	011A	41	137.202	010 981 5110	006	64
137.177	018 981 6610	014A	25	137.187	009 981 1510	012A	40	137.202	010 981 5110	007	65
137.177	018 981 6610	015A	25	137.187	009 981 1510	013A	49	137.203	009 981 1710	001	25
137.177	018 981 6610	016A	24	137.187	009 981 1510	014A	39	137.203	009 981 1710	002	25
137.178	013 981 2510	010A	31	137.187	009 981 1510	015A	39	137.203	009 981 1710	003	24
137.179	014 981 4310	010A	31	137.187	009 981 1510	016A	39	137.203	009 981 1710	007	35
137.180	013 981 1710	010A	37	137.188	016 981 0010	009A	27	137.204	007 981 5510	001	25
137.181	012 981 8910	008A	46	137.188	016 981 0010	013A	8	137.204	007 981 5510	002	25
137.181	012 981 8910	009A	42	137.188	016 981 0010	016A	6	137.204	007 981 5510	003	24
137.181	012 981 8910	011A	52	137.189	018 981 6410	014A	7	137.204	007 981 5510	004	29
137.181	012 981 8910	012A	51	137.189	018 981 6410	015A	7	137.204	007 981 5510	007	35
137.181	012 981 8910	013A	59	137.190	009 981 4510	007	5	137.205	008 981 9910	001	17
137.181	012 981 8910	014A	50	137.190	009 981 4510	009A	13	137.205	008 981 9910	002	17
137.181	012 981 8910	015A	50	137.191	019 981 9210	009A	14	137.205	008 981 9910	003	16
137.181	012 981 8910	016A	49	137.192	021 981 1710	009A	25	137.205	008 981 9910	007	27
137.182	008 981 8310	001	14	137.193	019 981 9010	009A	33	137.206	002 981 1312	001	5
137.182	008 981 8310	002	14	137.198	021 981 9410	001	38	137.206	002 981 1312	002	5

All original equipment manufacturers numbers, symbols, pictures, models and description used in this catalogue are for reference only, and it is not implied that any part listed is the product of these manufactures.
Tutti i nostri particolari non sono originali ma con essi intercambiabili. I riferimenti originali, le figure, i modelli sono esposti a semplice titolo indicativo. La nostra produzione riporta il nostro marchio.

CEI Index

CEI no.	MB no.	Tab.	Fig.	CEI no.	MB no.	Tab.	Fig.	CEI no.	MB no.	Tab.	Fig.
137.206	002 981 1312	003	5	139.549	015 997 1647	004	2	139.556	019 997 0547	016A	3
137.206	002 981 1312	007	16	139.549	015 997 1647	005	2	139.557	015 997 6447	009B	21
137.207	010 981 5210	001	51	139.549	015 997 1647	007	2	139.557	015 997 6447	013B	21
137.207	010 981 5210	002	53	139.549	015 997 1647	008A	2	139.557	015 997 6447	014B	21
137.207	010 981 5210	003	53	139.549	015 997 1647	009A	2	139.557	015 997 6447	015B	21
137.207	010 981 5210	007	65	139.549	015 997 1647	010A	2	139.557	015 997 6447	016B	21
137.208	009 981 0210	002	17	139.549	015 997 1647	011A	2	139.558	017 997 1247	009B	22
137.209	010 981 1710	002	39	139.549	015 997 1647	012A	3	139.558	017 997 1247	013B	22
137.209	010 981 1710	006	49	139.550	018 997 8447	010A	10	139.558	017 997 1247	014B	22
137.210	009 981 0110	002	34	139.551	013 997 7247	008B	18	139.558	017 997 1247	015B	22
137.210	009 981 0110	005	41	139.551	013 997 7247	009B	21	139.558	017 997 1247	016B	21
137.210	009 981 0110	006	68	139.551	013 997 7247	010B	18	139.563	017 997 7947	001	41
137.211	010 981 1210	002	25	139.551	013 997 7247	011B	18	139.563	017 997 7947	002	43
137.211	010 981 1210	002	27	139.551	013 997 7247	012B	20	139.563	017 997 7947	003	42
137.211	010 981 1210	005	32	139.551	013 997 7247	013B	21	139.563	017 997 7947	004	47
137.211	010 981 1210	005	41	139.551	013 997 7247	014B	21	139.563	017 997 7947	005	43
137.211	010 981 1210	006	25	139.551	013 997 7247	015B	21	139.563	017 997 7947	006	53
137.211	010 981 1210	006	38	139.551	013 997 7247	016B	21	139.563	017 997 7947	007	52
137.212	007 981 2810	002	14	139.552	013 997 7347	008B	19	139.564	017 997 2547	001	40
137.213	011 981 7610	004	17	139.552	013 997 7347	009B	21	139.564	017 997 2547	002	42
137.214	009 981 3110	005	36	139.552	013 997 7347	009B	22	139.564	017 997 2547	003	41
137.215	010 981 9510	005	13	139.552	013 997 7347	010B	19	139.564	017 997 2547	004	46
137.216	010 981 9310	005	23	139.552	013 997 7347	011B	19	139.564	017 997 2547	005	42
137.217	000 981 6712	005	16	139.552	013 997 7347	012B	21	139.564	017 997 2547	006	52
137.219	010 981 9210	005	36	139.552	013 997 7347	013B	21	139.564	017 997 2547	007	51
137.220	009 981 3610	005	13	139.552	013 997 7347	013B	22	141.160	945 265 0149	001	36
137.221	010 981 4810	006	36	139.552	013 997 7347	014B	21	141.160	945 265 0149	002	41
137.222	010 981 4410	006	28	139.552	013 997 7347	014B	22	141.160	945 265 0149	003	40
137.223	010 981 4910	006	16	139.552	013 997 7347	015B	21	141.160	945 265 0149	004	67
137.224	010 981 1510	006	4	139.552	013 997 7347	015B	22	141.160	945 265 0149	005	57
137.225	015 981 4110	004	58	139.552	013 997 7347	016B	21	141.160	945 265 0149	006	51
137.226	009 981 3510	005	16	139.552	013 997 7347	016B	22	141.160	945 265 0149	007	69
139.548	015 997 0347	001	2	139.554	018 997 7147	011A	10	141.160	945 265 0149	008A	34
139.548	015 997 0347	002	2	139.554	018 997 7147	012A	11	141.160	945 265 0149	009A	32
139.548	015 997 0347	003	2	139.555	389 261 0665	004	3	141.160	945 265 0149	010A	34
139.548	015 997 0347	005	2	139.555	389 261 0665	009A	3	141.160	945 265 0149	011A	39
139.548	015 997 0347	005	2	139.555	389 261 0665	013A	6	141.160	945 265 0149	012A	38
139.548	015 997 0347	006	2	139.555	389 261 0665	014A	5	141.160	945 265 0149	013A	47
139.548	015 997 0347	007	2	139.555	389 261 0665	015A	5	141.160	945 265 0149	014A	43
139.548	015 997 0347	010A	2	139.555	389 261 0665	016A	4	141.160	945 265 0149	015A	43
139.549	015 997 1647	002	2	139.556	019 997 0547	013A	5	141.160	945 265 0149	016A	37
139.549	015 997 1647	002	2	139.556	019 997 0547	014A	2	141.161	389 265 2349	001	12
139.549	015 997 1647	003	2	139.556	019 997 0547	015A	2	141.161	389 265 2349	001	24

Date

01 / 2004

Table

Index

CEI no.	MB no.	Tab.	Fig.	CEI no.	MB no.	Tab.	Fig.	CEI no.	MB no.	Tab.	Fig.
141.161	389 265 2349	001	33	141.165	389 265 2749	013A	14	145.429	387 262 0412	006	39
141.161	389 265 2349	002	13	141.165	389 265 2749	013A	43	145.430	387 262 2515	003	12
141.161	389 265 2349	002	24	141.165	389 265 2749	013A	64	145.558	389 262 7710	011A	5
141.161	389 265 2349	002	35	141.165	389 265 2749	014A	14	145.558	389 262 7710	012A	6
141.161	389 265 2349	003	23	141.165	389 265 2749	014A	24	145.565	387 262 0710	006	15
141.161	389 265 2349	003	34	141.165	389 265 2749	014A	34	145.567	389 262 0215	004	15
141.161	389 265 2349	003	45	141.165	389 265 2749	015A	14	145.568	387 262 4014	003	15
141.161	389 265 2349	005	33	141.165	389 265 2749	015A	24	145.569	389 262 0914	004	20
141.161	389 265 2349	005	35	141.165	389 265 2749	015A	34	145.579	389 262 2210	011A	5
141.161	389 265 2349	005	56	141.165	389 265 2749	016A	12	145.580	389 262 3710	011A	15
141.161	389 265 2349	006	24	141.165	389 265 2749	016A	23	145.581	389 262 5510	011A	15
141.161	389 265 2349	006	35	141.165	389 265 2749	016A	33	145.582	389 262 5610	011A	15
141.161	389 265 2349	006	45	143.088	387 263 0713	002	49	145.582	389 262 5610	012A	16
141.161	389 265 2349	007	34	143.088	387 263 0713	006	60	145.583	389 262 2113	011A	23
141.161	389 265 2349	007	45	143.089	387 263 1113	003	49	145.583	389 262 2113	012A	23
141.161	389 265 2349	007	68	143.098	389 263 2513	004	53	145.584	945 262 1610	013A	9
141.161	389 265 2349	008A	22	143.099	389 263 1013	011A	47	145.585	389 262 8610	013A	18
141.161	389 265 2349	008A	39	143.100	389 263 1413	011A	47	145.586	945 262 0510	013A	18
141.161	389 265 2349	010A	19	143.100	389 263 1413	012A	46	145.586	945 262 0510	014A	17
141.161	389 265 2349	010A	30	143.101	389 263 1913	013A	55	145.587	389 262 3810	013A	19
141.161	389 265 2349	011A	25	143.102	945 263 1013	013A	55	145.588	389 262 7910	013A	19
141.161	389 265 2349	011A	35	143.102	945 263 1013	014A	46	145.588	389 262 7910	016A	15
141.161	389 265 2349	012A	24	143.102	945 263 1013	015A	46	145.589	389 262 1813	013A	29
141.161	389 265 2349	012A	34	143.103	389 263 1813	009A	38	145.590	389 260 5719	013A	29
141.162	389 265 2449	006	67	143.103	389 263 1813	013A	55	145.591	945 262 3513	013A	30
141.162	389 265 2449	007	12	143.104	945 263 0013	013A	55	145.591	945 262 3513	014A	23
141.162	389 265 2449	008B	29	143.104	945 263 0013	016A	45	145.591	945 262 3513	015A	23
141.162	389 265 2449	009B	33	143.105	389 263 1513	010A	43	145.592	389 262 3713	013A	30
141.162	389 265 2449	010A	12	143.106	389 263 1113	008A	41	145.592	389 262 3713	016A	22
141.162	389 265 2449	010B	29	143.107	389 263 0313	011A	47	145.593	389 262 1210	010A	5
141.162	389 265 2449	011A	12	143.109	387 263 1313	001	47	145.594	389 262 1410	010A	5
141.162	389 265 2449	011B	29	143.109	387 263 1313	002	49	145.595	389 262 1633	010A	35
141.162	389 265 2449	012A	13	143.109	387 263 1313	007	62	145.596	389 262 1112	010A	23
141.162	389 265 2449	012B	31	143.110	387 263 0613	001	47	145.597	389 262 1411	010A	29
141.162	389 265 2449	013B	33	143.110	387 263 0613	002	49	145.598	389 262 5410	010A	15
141.162	389 265 2449	014B	33	143.110	387 263 0613	007	62	145.599	389 262 0713	010A	18
141.162	389 265 2449	015B	33	143.111	387 263 1213	002	49	145.600	945 262 2711	009A	23
141.162	389 265 2449	016B	33	143.111	387 263 1213	003	49	145.601	389 262 1711	008A	23
141.165	389 265 2749	004	16	143.112	387 263 0914	005	49	145.602	389 262 1412	008A	15
141.165	389 265 2749	004	28	143.113	387 263 0514	005	49	145.603	389 262 1013	008A	11
141.165	389 265 2749	004	40	145.428	387 262 0411	002	33	145.604	945 262 0412	009A	16
141.165	389 265 2749	009A	15	145.428	387 262 0411	006	44	145.605	389 262 0211	008A	33
141.165	389 265 2749	009A	24	145.429	387 262 0412	002	28	145.606	389 262 1611	011A	34

All original equipment manufacturers numbers, symbols, pictures, models and description used in this catalogue are for reference only, and it is not implied that any part listed is the product of these manufacturers.
Tutti i nostri particolari non sono originali ma con essi intercambiabili. I riferimenti originali, le figure, i modelli sono esposti a semplice titolo indicativo. La nostra produzione riporta il nostro marchio.

CEI Index

CEI no.	MB no.	Tab.	Fig.	CEI no.	MB no.	Tab.	Fig.	CEI no.	MB no.	Tab.	Fig.
145.606	389 262 1611	012A	33	145.631	387 262 4413	002	23	145.651	387 262 2712	003	27
145.607	389 262 2810	011A	5	145.631	387 262 4413	007	33	145.652	387 262 3912	002	28
145.608	389 262 2910	011A	5	145.632	387 262 1813	001	23	145.652	387 262 3912	003	27
145.609	389 262 0411	011A	34	145.632	387 262 1813	002	23	145.653	387 262 2011	002	33
145.610	389 262 1312	011A	28	145.632	387 262 1813	007	33	145.653	387 262 2011	003	32
145.610	389 262 1312	012A	27	145.633	387 262 3814	001	16	145.654	387 262 2911	002	33
145.611	389 262 0312	011A	28	145.633	387 262 3814	002	16	145.654	387 262 2911	003	32
145.612	389 262 0313	011A	22	145.633	387 262 3814	007	26	145.655	387 262 1533	002	40
145.613	389 262 1110	011A	15	145.634	387 262 2315	001	13	145.656	387 262 0933	002	40
145.614	389 260 4919	013A	34	145.634	387 262 2315	002	12	145.657	387 262 2511	002	33
145.615	389 262 2512	013A	35	145.634	387 262 2315	007	23	145.657	387 262 2511	007	43
145.615	389 262 2512	014A	27	145.635	387 262 3412	001	28	145.658	387 262 3713	003	22
145.615	389 262 2512	015A	27	145.635	387 262 3412	002	28	145.659	387 262 4813	003	22
145.615	389 262 2512	016A	26	145.635	387 262 3412	007	38	145.660	387 262 2612	003	27
145.616	389 262 2711	013A	42	145.636	387 262 0812	001	28	145.661	387 262 3812	003	27
145.616	389 262 2711	014A	33	145.636	387 262 0812	002	28	145.662	387 262 1911	003	32
145.616	389 262 2711	015A	33	145.636	387 262 0812	007	38	145.663	387 262 2811	003	32
145.616	389 262 2711	016A	32	145.637	387 262 2015	001	13	145.664	389 262 2713	004	27
145.617	389 262 1733	013A	46	145.637	387 262 2015	002	12	145.665	389 262 0912	004	31
145.618	945 262 4510	014A	8	145.637	387 262 2015	007	23	145.666	389 262 3313	004	27
145.618	945 262 4510	015A	8	145.638	387 262 0211	002	33	145.667	387 262 0416	005	12
145.619	945 262 4710	016A	7	145.638	387 262 0211	007	43	145.668	387 262 1912	005	31
145.620	945 262 1313	009A	12	145.639	387 262 3011	002	33	145.669	387 262 2615	005	15
145.621	945 262 1111	009A	28	145.639	387 262 3011	006	44	145.670	387 262 2814	005	22
145.622	945 262 0511	009A	28	145.640	387 262 3312	002	28	145.671	387 262 0316	005	12
145.623	945 262 2310	014A	17	145.640	387 262 3312	006	39	145.672	387 262 4414	005	22
145.623	945 262 2310	015A	17	145.641	387 262 1613	002	23	145.673	387 262 5013	005	26
145.626	387 262 3212	001	28	145.642	387 262 4313	002	23	145.674	387 262 3113	005	26
145.626	387 262 3212	002	28	145.643	387 262 3414	002	16	145.675	387 262 4012	005	31
145.626	387 262 3212	007	38	145.644	387 262 3714	002	16	145.676	387 262 2912	005	31
145.627	387 262 0212	001	28	145.644	387 262 3714	003	15	145.677	387 262 1811	005	34
145.627	387 262 0212	002	28	145.645	387 262 2215	002	12	145.678	387 262 2211	005	34
145.627	387 262 0212	007	38	145.645	387 262 2215	003	12	145.679	387 262 1815	005	15
145.628	387 262 3514	001	16	145.646	387 262 3813	002	23	145.680	387 262 2514	005	22
145.628	387 262 3514	002	16	145.646	387 262 3813	003	22	145.681	387 262 4214	005	22
145.628	387 262 3514	007	26	145.647	387 262 0911	002	33	145.682	387 262 2412	005	31
145.629	387 262 5313	001	23	145.647	387 262 0911	007	43	145.683	387 262 3712	005	31
145.629	387 262 5313	002	23	145.648	387 262 2611	002	33	145.684	387 262 3613	005	26
145.629	387 262 5313	007	33	145.648	387 262 2611	007	43	145.685	387 262 5113	005	26
145.630	387 262 0813	001	23	145.649	387 262 0115	002	12	145.686	387 262 1511	005	34
145.630	387 262 0813	002	23	145.650	387 262 4913	002	23	145.687	387 262 2713	006	34
145.630	387 262 0813	007	33	145.650	387 262 4913	003	22	145.688	387 262 4613	006	34
145.631	387 262 4413	001	23	145.651	387 262 2712	002	28	145.689	387 262 0515	006	23

Date

01 / 2004

Table

Index

CEI no.	MB no.	Tab.	Fig.	CEI no.	MB no.	Tab.	Fig.	CEI no.	MB no.	Tab.	Fig.
145.690	387 262 0110	006	3	146.518	387 263 0316	005	48	147.172	387 262 0233	007	50
145.691	387 262 4114	006	27	146.519	387 263 1210	005	47	147.173	387 262 0033	001	39
145.692	387 262 0010	007	4	146.520	387 263 2010	007	56	147.173	387 262 0033	002	40
145.693	387 262 4514	007	26	147.118	387 263 1131	002	54	147.173	387 262 0033	007	50
145.694	389 262 1911	004	38	147.118	387 263 1131	006	65	147.174	387 263 1631	002	54
146.338	387 263 0115	002	48	147.154	389 263 1431	010A	47	147.174	387 263 1631	003	54
146.338	387 263 0115	006	59	147.155	389 263 1631	008A	45	147.175	387 262 0533	002	40
146.339	387 263 1410	006	57	147.156	389 262 0533	008A	27	147.175	387 262 0533	006	50
146.340	387 263 2410	003	47	147.157	389 262 1833	008A	30	147.176	387 262 1233	003	39
146.477	389 263 1210	011A	46	147.158	389 263 1531	011A	51	147.177	387 262 1633	003	39
146.478	389 263 1110	011A	46	147.158	389 263 1531	012A	50	147.178	387 262 0833	003	39
146.478	389 263 1110	012A	45	147.159	389 262 0333	011A	38	147.179	387 262 1133	003	39
146.493	389 263 1310	004	51	147.159	389 262 0333	011A	38	147.180	387 263 1531	003	54
146.494	387 263 0715	003	48	147.159	389 262 0333	012A	37	147.181	389 262 1333	004	45
146.495	389 263 0115	004	52	147.160	389 262 1033	011A	38	147.182	387 263 1031	005	54
146.499	945 263 0810	013A	54	147.160	389 262 1033	011A	38	147.183	389 263 0931	004	57
146.500	389 263 0510	010A	42	147.160	389 262 1033	012A	37	147.184	387 262 1733	005	40
146.501	389 263 0610	010A	42	147.161	389 262 2033	013A	46	147.185	387 262 1433	005	40
146.502	389 263 0410	011A	46	147.161	389 262 2033	014A	37	147.186	387 262 0733	005	40
146.503	389 263 0910	011A	46	147.161	389 262 2033	015A	37	147.187	387 263 1431	005	54
146.504	945 263 1110	014A	45	147.161	389 262 2033	016A	36	147.188	387 263 1831	005	54
146.504	945 263 1110	015A	45	147.162	389 263 1031	013A	58	147.189	387 262 0433	005	40
146.505	945 263 0510	016A	44	147.162	389 263 1031	014A	49	150.143	389 262 0525	012B	11
146.509	387 263 0015	001	46	147.162	389 263 1031	015A	49	150.144	389 262 1425	009B	12
146.509	387 263 0015	002	48	147.162	389 263 1031	016A	48	150.144	389 262 1425	013B	12
146.509	387 263 0015	007	61	147.163	389 262 2133	013A	46	150.144	389 262 1425	013B	12
146.510	387 263 1810	001	45	147.163	389 262 2133	014A	37	150.144	389 262 1425	014B	12
146.510	387 263 1810	002	47	147.163	389 262 2133	015A	37	150.144	389 262 1425	015B	12
146.510	387 263 1810	007	60	147.163	389 262 2133	016A	36	150.144	389 262 1425	016B	12
146.511	387 263 0215	001	46	147.164	945 262 1033	009A	31	154.213	389 262 2923	008A	20
146.511	387 263 0215	002	48	147.165	945 262 0633	009A	31	154.213	389 262 2923	010A	28
146.511	387 263 0215	007	61	147.166	945 263 0231	009A	41	154.213	389 262 2923	011A	21
146.512	387 263 1510	001	45	147.169	387 263 1231	001	52	154.213	389 262 2923	011A	33
146.512	387 263 1510	002	47	147.169	387 263 1231	002	54	154.213	389 262 2923	012A	22
146.512	387 263 1510	007	60	147.169	387 263 1231	007	66	154.213	389 262 2923	012A	32
146.513	387 263 0110	002	47	147.170	387 262 1033	001	39	154.214	389 262 3023	008A	10
146.513	387 263 0110	006	58	147.170	387 262 1033	002	40	154.214	389 262 3023	010A	8
146.514	387 263 2510	002	47	147.170	387 262 1033	007	50	154.214	389 262 3023	011A	8
146.514	387 263 2510	003	47	147.171	387 263 0631	001	52	154.214	389 262 3023	011A	21
146.515	387 263 0815	002	48	147.171	387 263 0631	002	54	154.214	389 262 3023	012A	9
146.515	387 263 0815	003	48	147.171	387 263 0631	007	66	154.215	387 262 1523	001	10
146.516	387 263 0416	005	48	147.172	387 262 0233	001	39	154.215	387 262 1523	001	22
146.517	387 263 2710	005	47	147.172	387 262 0233	002	40	154.215	387 262 1523	002	10

All original equipment manufacturers numbers, symbols, pictures, models and description used in this catalogue are for reference only, and it is not implied that any part listed is the product of these manufactures.
Tutti i nostri particolari non sono originali ma con essi intercambiabili. I riferimenti originali, le figure, i modelli sono esposti a semplice titolo indicativo. La nostra produzione riporta il nostro marchio.

CEI Index

CEI no.	MB no.	Tab.	Fig.	CEI no.	MB no.	Tab.	Fig.	CEI no.	MB no.	Tab.	Fig.
154.215	387 262 1523	002	22	154.221	945 262 0323	013A	12	154.302	387 262 1423	001	22
154.215	387 262 1523	003	10	154.221	945 262 0323	013A	28	154.302	387 262 1423	002	22
154.215	387 262 1523	003	21	154.221	945 262 0323	014A	12	154.302	387 262 1423	003	21
154.215	387 262 1523	005	10	154.221	945 262 0323	015A	12	154.302	387 262 1423	005	21
154.215	387 262 1523	005	21	154.221	945 262 0323	016A	10	154.302	387 262 1423	006	33
154.215	387 262 1523	006	8	154.222	389 262 1523	008B	14	154.302	387 262 1423	007	32
154.215	387 262 1523	006	21	154.222	389 262 1523	010B	14	154.303	389 262 2023	004	13
154.215	387 262 1523	006	33	154.222	389 262 1523	011B	14	154.303	389 262 2023	004	26
154.215	387 262 1523	007	10	154.223	389 262 1823	004	41	154.304	389 262 2123	004	36
154.215	387 262 1523	007	21	154.223	389 262 1823	008A	28	154.305	387 262 0323	005	38
154.215	387 262 1523	007	32	154.223	389 262 1823	010A	33	155.204	389 262 2035	008B	13
154.215	387 262 1523	011A	8	154.223	389 262 1823	011A	37	155.204	389 262 2035	009B	16
154.215	387 262 1523	011A	21	154.223	389 262 1823	011A	37	155.204	389 262 2035	010B	13
154.216	387 262 0623	001	32	154.223	389 262 1823	012A	36	155.204	389 262 2035	011B	13
154.216	387 262 0623	002	32	154.223	389 262 1823	013A	45	155.204	389 262 2035	012B	15
154.216	387 262 0623	003	31	154.223	389 262 1823	014A	36	155.204	389 262 2035	013B	16
154.216	387 262 0623	005	30	154.223	389 262 1823	015A	36	155.204	389 262 2035	014B	16
154.216	387 262 0623	006	43	154.223	389 262 1823	016A	35	155.204	389 262 2035	015B	16
154.216	387 262 0623	007	42	154.224	389 262 1723	004	41	155.204	389 262 2035	016B	16
154.216	387 262 0623	010A	28	154.224	389 262 1723	010A	33	155.206	389 262 0535	008B	13
154.216	387 262 0623	011A	33	154.224	389 262 1723	011A	37	155.206	389 262 0535	010B	13
154.217	945 262 0823	008B	14	154.224	389 262 1723	011A	37	155.206	389 262 0535	011B	13
154.217	945 262 0823	009B	17	154.224	389 262 1723	012A	36	157.212	389 262 0209	008A	38
154.217	945 262 0823	010B	14	154.224	389 262 1723	013A	45	157.212	389 262 0209	011A	44
154.217	945 262 0823	011B	14	154.224	389 262 1723	014A	36	157.212	389 262 0209	012A	43
154.217	945 262 0823	012B	16	154.224	389 262 1723	015A	36	157.213	389 262 0035	005	29
154.217	945 262 0823	013B	17	154.224	389 262 1723	016A	35	157.213	389 262 0035	008A	19
154.217	945 262 0823	014B	17	154.225	389 262 0223	008A	26	157.213	389 262 0035	010A	27
154.217	945 262 0823	015B	17	154.226	945 262 2135	009A	30	157.213	389 262 0035	011A	32
154.217	945 262 0823	016B	17	154.227	945 262 2123	009A	29	157.213	389 262 0035	012A	31
154.220	945 262 0423	004	36	154.228	945 262 2023	009A	29	157.214	389 262 0635	008A	9
154.220	945 262 0423	009A	21	154.229	387 262 0023	001	34	157.214	389 262 0635	010A	17
154.220	945 262 0423	013A	28	154.229	387 262 0023	002	36	157.214	389 262 0635	011A	20
154.220	945 262 0423	013A	40	154.229	387 262 0023	003	35	157.215	389 262 1535	011A	20
154.220	945 262 0423	014A	22	154.229	387 262 0023	003	35	157.215	389 262 1535	012A	21
154.220	945 262 0423	014A	32	154.229	387 262 0023	006	46	157.555	389 262 2835	013A	27
154.220	945 262 0423	015A	22	154.229	387 262 0023	007	46	157.556	389 262 4735	013A	27
154.220	945 262 0423	015A	32	154.301	387 262 1323	001	32	157.556	389 262 4735	014A	21
154.220	945 262 0423	016A	21	154.301	387 262 1323	002	32	157.556	389 262 4735	015A	21
154.220	945 262 0423	016A	31	154.301	387 262 1323	003	31	157.556	389 262 4735	016A	20
154.221	945 262 0323	004	13	154.301	387 262 1323	005	30	157.557	389 262 2535	009A	20
154.221	945 262 0323	004	26	154.301	387 262 1323	006	43	157.557	389 262 2535	013A	39
154.221	945 262 0323	009A	11	154.301	387 262 1323	007	42	157.557	389 262 2535	014A	31

Date

01 / 2004

Table

Index

CEI no.	MB no.	Tab.	Fig.	CEI no.	MB no.	Tab.	Fig.	CEI no.	MB no.	Tab.	Fig.
157.557	389 262 2535	015A	31	157.613	387 262 0036	007	47	157.642	387 262 2835	007	9
157.557	389 262 2535	016A	30	157.614	387 262 0935	002	9	169.801	389 262 0162	008B	5
157.558	389 262 0109	010A	40	157.614	387 262 0935	005	9	169.801	389 262 0162	009B	5
157.559	389 262 0309	010A	40	157.615	387 262 2735	001	31	169.801	389 262 0162	010B	5
157.600	389 262 0409	008A	38	157.616	387 262 3335	001	31	169.801	389 262 0162	011B	5
157.600	389 262 0409	011A	44	157.617	387 262 2035	001	21	169.801	389 262 0162	012B	5
157.601	389 262 0435	008A	25	157.617	387 262 2035	002	21	169.801	389 262 0162	013B	5
157.602	389 262 0040	008A	32	157.617	387 262 2035	003	20	169.801	389 262 0162	014B	5
157.603	389 262 0135	010A	32	157.617	387 262 2035	005	20	169.801	389 262 0162	015B	5
157.603	389 262 0135	011A	36	157.617	387 262 2035	007	31	169.801	389 262 0162	016B	5
157.603	389 262 0135	012A	35	157.618	387 262 3535	002	31	169.802	389 262 0262	008B	6
157.603	389 262 0135	013A	44	157.618	387 262 3535	006	42	169.802	389 262 0262	010B	6
157.603	389 262 0135	014A	35	157.619	387 262 0735	002	31	169.802	389 262 0262	011B	6
157.603	389 262 0135	015A	35	157.619	387 262 0735	006	42	169.802	389 262 0262	012B	6
157.603	389 262 0135	016A	34	157.620	387 262 0835	002	21	169.803	389 262 1362	009B	6
157.604	389 262 0509	013A	52	157.621	387 262 0335	002	37	169.803	389 262 1462	013B	6
157.605	389 262 0809	013A	52	157.621	387 262 0335	006	47	169.803	389 262 1462	014B	6
157.605	389 262 0809	013A	52	157.622	387 262 3435	002	31	169.803	389 262 1462	015B	6
157.605	389 262 0809	014A	42	157.622	387 262 3435	003	30	169.803	389 262 1462	016B	6
157.605	389 262 0809	015A	42	157.622	387 262 3435	005	29	169.805	389 262 9052	004	19
157.605	389 262 0809	016A	42	157.622	387 262 3435	007	41	169.806	389 263 0162	004	55
157.606	389 262 3935	013A	44	157.623	387 262 0435	002	31	171.055	001 981 3287	010B	4
157.606	389 262 3935	014A	35	157.623	387 262 0435	003	30	171.056	001 981 2887	008B	4
157.606	389 262 3935	015A	35	157.623	387 262 0435	005	29	171.056	001 981 2887	011B	4
157.606	389 262 3935	016A	34	157.623	387 262 0435	007	41	171.057	000 981 4186	008B	4
157.607	945 262 1935	009A	10	157.624	389 262 4435	004	25	171.057	000 981 4186	009B	4
157.608	945 262 0109	009A	36	157.625	389 262 4535	004	12	171.057	000 981 4186	011B	4
157.611	387 262 2135	001	9	157.626	389 262 4235	004	42	171.057	000 981 4186	012B	4
157.611	387 262 2135	002	9	157.627	389 262 1135	004	35	171.057	000 981 4186	013B	4
157.611	387 262 2135	003	9	157.628	389 262 1935	004	12	171.057	000 981 4186	014B	4
157.611	387 262 2135	006	20	157.629	389 262 2735	004	25	171.057	000 981 4186	015B	4
157.611	387 262 2135	007	20	157.630	389 262 4135	004	42	171.057	000 981 4186	016B	4
157.612	387 262 0436	001	35	157.631	389 262 5635	004	35	187.609	000914 006109	008B	3
157.612	387 262 0436	002	37	157.632	387 262 0136	005	37	187.609	000914 006109	009B	3
157.612	387 262 0436	003	36	157.633	387 262 2935	005	37	187.609	000914 006109	010B	3
157.612	387 262 0436	007	47	157.634	387 262 0236	005	37	187.609	000914 006109	011B	3
157.613	387 262 0036	001	35	157.635	387 262 0140	005	39	187.609	000914 006109	012B	3
157.613	387 262 0036	001	35	157.637	387 262 0040	005	39	187.609	000914 006109	013B	3
157.613	387 262 0036	002	37	157.637	387 262 0240	005	39	187.609	000914 006109	014B	3
157.613	387 262 0036	002	37	157.638	387 262 0440	005	39	187.609	000914 006109	015B	3
157.613	387 262 0036	003	36	157.639	387 262 1835	005	20	187.609	000914 006109	016B	3
157.613	387 262 0036	003	36	157.640	389 262 3435	005	29	187.611	945 990 0050	004	7
157.613	387 262 0036	007	47	157.641	387 262 2335	006	32	187.612	387 990 0251	006	13

Date

01 / 2004

Table

Index

CEI Index

CEI no.	MB no.	Tab.	Fig.	CEI no.	MB no.	Tab.	Fig.	CEI no.	MB no.	Tab.	Fig.
188.180	389 269 0134	008B	2	189.607	945 269 0101	014B	28	197.083	945 262 0045	015B	23
188.180	389 269 0134	010B	2	189.607	945 269 0101	015B	28	197.083	945 262 0045	016B	23
188.180	389 269 0134	011B	2	189.607	945 269 0101	016B	28	197.084	945 262 0445	009B	24
188.180	389 269 0134	012B	2	190.248	387 260 6420	006	10	197.084	945 262 0445	013B	24
188.181	389 269 4734	009B	2	190.334	389 260 7861	010B	1	197.084	945 262 0445	014B	24
188.181	389 269 4734	013B	2	190.335	389 260 8961	008B	1	197.084	945 262 0445	015B	24
188.181	389 269 4734	014B	2	190.335	389 260 8961	011B	1	197.084	945 262 0445	016B	24
188.181	389 269 4734	015B	2	190.335	389 260 8961	012B	1	197.085	387 264 1945	009B	24
188.181	389 269 4734	016B	2	190.336	389 260 0661	008B	1	197.085	387 264 1945	013B	24
189.604	389 269 3801	008B	28	190.336	389 260 0661	011B	1	197.085	387 264 1945	014B	24
189.604	389 269 3801	009B	32	190.337	945 260 4461	013B	1	197.085	387 264 1945	015B	24
189.604	389 269 3801	010B	28	190.337	945 260 4461	014B	1	197.085	387 264 1945	016B	24
189.604	389 269 3801	011B	28	190.337	945 260 4461	015B	1	197.088	387 262 0145	001	43
189.604	389 269 3801	012B	30	190.337	945 260 4461	016B	1	197.088	387 262 0145	002	45
189.604	389 269 3801	013B	32	190.338	945 260 4661	013B	1	197.088	387 262 0145	003	44
189.604	389 269 3801	014B	32	190.338	945 260 4661	014B	1	197.088	387 262 0145	005	45
189.604	389 269 3801	015B	32	190.338	945 260 4661	015B	1	197.089	387 262 0345	002	45
189.604	389 269 3801	016B	32	190.338	945 260 4661	016B	1	197.089	387 262 0345	005	45
189.605	389 269 0706	004	63	190.339	945 260 1961	009B	1	197.089	387 262 0345	006	55
189.605	389 269 0706	008B	27	196.271	389 262 1413	011A	22	197.090	387 262 1045	002	45
189.605	389 269 0706	009B	31	197.079	389 262 0445	008B	20	197.090	387 262 1045	003	44
189.605	389 269 0706	010B	27	197.079	389 262 0445	010B	20	197.090	387 262 1045	005	45
189.605	389 269 0706	011B	27	197.079	389 262 0445	011B	20	197.090	387 262 1045	007	54
189.605	389 269 0706	012B	29	197.079	389 262 0445	012B	22	197.091	387 262 0845	002	45
189.605	389 269 0706	013B	31	197.080	389 262 0945	009B	23	197.091	387 262 0845	005	45
189.605	389 269 0706	014B	31	197.080	389 262 0945	013B	23	197.091	387 262 0845	006	55
189.605	389 269 0706	015B	31	197.080	389 262 0945	014B	23	197.092	387 262 0745	002	45
189.605	389 269 0706	016B	31	197.080	389 262 0945	015B	23	197.092	387 262 0745	003	44
189.606	389 269 1406	008B	26	197.080	389 262 0945	016B	23	197.092	387 262 0745	005	45
189.606	389 269 1406	009B	30	197.081	389 262 0545	009B	23	197.092	387 262 0745	007	54
189.606	389 269 1406	010B	26	197.081	389 262 0545	013B	23	197.093	976 262 0145	004	49
189.606	389 269 1406	011B	26	197.081	389 262 0545	014B	23	198.879	389 260 2036	008B	10
189.606	389 269 1406	012B	28	197.081	389 262 0545	015B	23	198.879	389 260 2036	009B	13
189.606	389 269 1406	013B	30	197.081	389 262 0545	016B	23	198.879	389 260 2036	010B	10
189.606	389 269 1406	014B	30	197.082	389 262 0645	009B	23	198.879	389 260 2036	011B	10
189.606	389 269 1406	015B	30	197.082	389 262 0645	012B	22	198.879	389 260 2036	012B	12
189.606	389 269 1406	016B	30	197.082	389 262 0645	013B	23	198.879	389 260 2036	013B	13
189.607	945 269 0101	008B	24	197.082	389 262 0645	014B	23	198.879	389 260 2036	014B	13
189.607	945 269 0101	009B	28	197.082	389 262 0645	015B	23	198.879	389 260 2036	015B	13
189.607	945 269 0101	010B	24	197.082	389 262 0645	016B	23	198.879	389 260 2036	016B	13
189.607	945 269 0101	011B	24	197.083	945 262 0045	009B	23	198.880	389 260 0197	010B	7
189.607	945 269 0101	012B	26	197.083	945 262 0045	013B	23	198.881	389 260 0397	010B	7
189.607	945 269 0101	013B	28	197.083	945 262 0045	014B	23	198.882	389 260 0936	008B	10

Date

01 / 2004

Table

Index

