



BPW repair kits



BPW repair kits for axles of 6.5 t and above

Contents

		Page
1	Drum brake	
1.1	SN 42..	
1.1.1	Repair kit - Brake 09.801.02.01.0 and 09.801.02.02.0	4
1.1.2	Repair kit - Brake with brake shoes 09.801.02.38.0 and ..39.0	5
1.1.3	Repair kit - Brake 09.801.06.79.0	6
1.2	SN 36..	
1.2.1	Repair kit - Brake with brake shoes 09.801.02.41.0 and ..06.82.0	7
1.2.2	Repair kit - Brake with brake shoes 09.801.02.40.0 and ..06.81.0	8
1.3	SN 30..	
1.3.1	Repair kit - Brake with brake shoes 09.801.02.42.0 and ..43.0	9
1.3.2	Repair kit - Brake 09.801.06.80	10
1.4	Repair kit - Brake shoe roller 09.801.02.10.0	11
1.5	Repair kit - Brake shoe roller 09.801.02.91.0	12
1.6	Repair kit - Pivot bearing 09.801.02.15.0	13
1.7	Repair kit - Brake camshaft bearing 09.801.02.13.0	14 - 15
1.7	Repair kit - Brake camshaft bearing 09.801.00.14.2	14 - 15
1.8	Repair kit - Brake camshaft bearing 09.801.06.09.1	16 - 17
1.8	Repair kit - Brake camshaft bearing 09.801.00.43.1	16 - 17
1.9	Repair kit - Repair kit slack adjuster assembly	18 - 19
2	Disc brake	
2.1	Repair kit - Guide pin / seal parts 09.801.06.24.0 and 09.801.06.31.0	20
2.2	Repair kit - Seal for guide pins 09.801.06.11.0	21
2.3	Repair kit - Guide pin / seal parts 09.801.06.33	22
2.4	Repair kit - Seal for guide pins 09.801.06.34.0	23
2.5	Repair kit - Loose bearing 09.801.06.90.0 and 09.801.06.91.0	24
2.6	Repair kit - Bellows / hose clip 09.801.02.58.0	25
2.7	Repair kit - Seal for guide pins 09.801.02.60.0	26
2.8	Repair kit - Adjuster adapter (interchangeable adapter) 09.801.06.25.0	27
2.9	Repair kit - Tappet parts with bellows 09.801.02.63.0 and 09.801.06.32.0	28
2.10	Repair kit - Lining retention clip 09.801.02.76.0 and 09.801.02.66.0	29
2.11	Repair kit - Wear sensor kit 05.801.51.70.0	30
2.12	Repair kit - Brake pads SB 3745 (09.801.06.43.0 and 09.801.07.09.0)	31
2.13	Repair kit - Brake pads SB 4309 (09.801.06.44.0 and 09.801.06.95.0)	32
2.14	Repair kit - Brake pads SB 4345 (09.801.06.45.0 and 09.801.06.96.0)	33
3	Air suspension system	
3.1	Repair kit - Spring bolt assembly 09.801.06.28.0 and 09.801.06.29.0	34
3.2	Repair kit - Spring bolt assembly 09.801.06.77.0	35
3.3	Repair kit - Spring bolt assembly 09.801.06.87.0	36
3.4	Repair kit - Spring bolt assembly 09.801.06.92.0	37
3.5	Repair kit - Spring bolt assembly 09.801.07.02.0	38
3.6	Repair kit - Spring bolt assembly 09.801.07.03.0	39
3.7	Repair kit - Spring bolt assembly	40 - 41
4	Steering axle	
4.1	Repair kit - Pivot bearing 09.801.02.35.0	42
4.2	Repair kit - Pivot bearing 09.801.02.36.0	43
4.3	Repair kit - Pivot bearing 09.801.02.64.0	44

	Page	
5	Wheel bearing	
5.1	Conventional wheel bearing	
5.1.1	Repair kit - Roller bearings 09.801.02.17.0 and 09.801.02.18.0	45
5.1.2	Repair kit - Roller bearings 09.801.02.19.0 and 09.801.02.20.0	46
5.1.3	Repair kit - Roller bearing 09.801.02.24.0	47
5.1.4	Repair kit - Roller bearing 09.801.02.98.0	48
5.2	ECO wheel bearing	
5.2.1	Repair kit - Roller bearings 09.801.02.33.0 and 09.801.02.34.0	49
5.2.2	Repair kit - Roller bearings 09.801.02.72.0 and 09.801.06.89.0	50
6	Drawbar PZL, PZGL	
6.1	Repair kit - Drawbar 09.801.03.30.0 and 05.801.90.13.0	51
7	Complete hubs	52 - 53
8	Wheel bearing lubrication, bearing adjustment	
8.1	Conventional hub system	54
8.2	ECO hub system	55
8.3	ECO ^{Plus} hub system	56


Valid: 01.08.2005

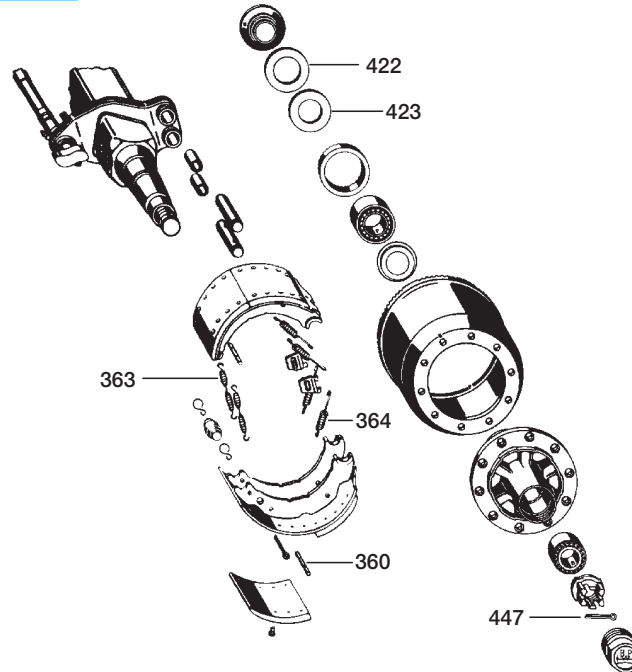
Subject to change without notice.

Repair kits are only available as complete kit.

BPW repair kits for axles of 6.5 t and above

1.1.1 Repair kit - Brake SN 42.. 09.801.02.01.0 and 09.801.02.02.0

 Not for ECO and ECOPlus wheel hub bearings!

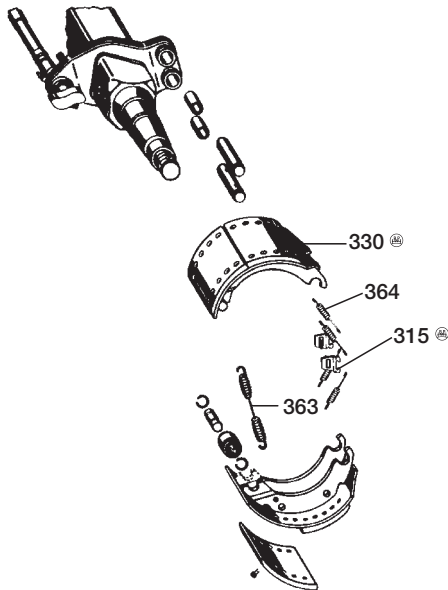


Repair kit - Brake SN 42..				Axle type H / R		
Contents per axle.	Axle type	Brake	Year of manufact.	Axle type	Brake	Year of manufact.
	H / R 8 - 9 t	SN 4216-2	1984 - 95	H / R 10 - 12 t	SN 4218-2	1984 - 95
	H / R 8 - 9 t	SN 4218-2	1984 - 95	H / R 10 - 12 t	SN 4220-2	1984 - 95
	H / R 8 - 9 t	SN 4220-2	1984 - 95	H / R 10 - 12 t	SN 4222-2	1984 - 95
Item	Description	Quantity	BPW code no.	Dimension	BPW code no.	Dimension
360	Splined pin	4	03.001.08.05.0	Ø 12 x 90	03.001.08.05.0	Ø 12 x 90
363	Return spring	4	05.397.46.07.0	Ø 25 / 4 x 262	05.397.46.07.0	Ø 25 / 4 x 262
364	Return spring	8	03.397.44.06.0	Ø 21 / 4 x 105	03.397.44.06.0	Ø 21 / 4 x 105
422	Ring (Nylon)	2	03.310.97.31.0	Ø 110 / 141 x 2.5	03.310.98.21.0	Ø 128 / 165 x 2.5
423	Ring (Nylon)	2	03.310.97.32.0	Ø 104 / 136 x 2.5	03.310.97.30.0	Ø 128 / 157 x 2.5
447	Split pin	2	02.6201.82.01	8 x 50 / 94	02.6201.84.01	8 x 63
BPW code no. for kit			09.801.02.01.0		09.801.02.02.0	

Repair kit - SN 42.. with brake shoes 09.801.02.38.0 and .. 39.0 1.1.2

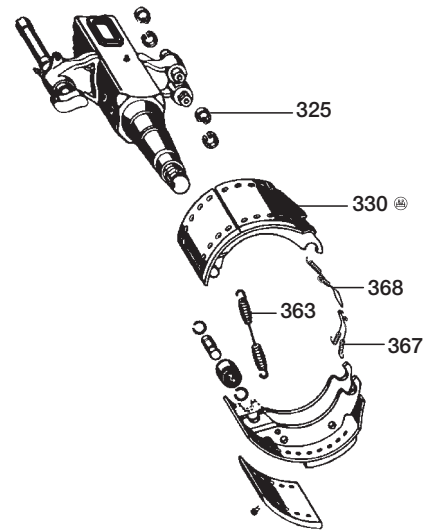
Design features up to 1995:

Brake anchor plate and brake bolt 2-piece, brake shoes fixed using **shaped plate**.



Design features from 1995 onwards:

Brake anchor plate and brake bolt 1-piece, brake shoes fixed using **'C' clip**.



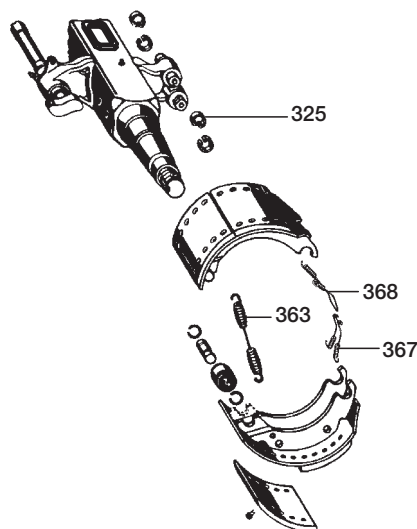
Repair kit - Brake SN 42.. with brake shoes				Axle type H / R		
Contents per axle.	Axle type	Brake	Year of manufact.	Axle type	Brake	Year of manufact.
	H/R 8 -18 t	SN 4220-2	1984 - up to now	H/R 8 -12 t	SN 4218-2	1984 - up to now
Item	Description	Quantity	BPW code no.	Dimension	BPW code no.	Dimension
315	Shaped plate	4	03.167.23.09.0		03.167.23.09.0	
325	'C' clip	8	03.188.02.02.0		03.188.02.02.0	
330	Brake shoe assembly	4	05.091.27.82.0		05.091.46.14.0	
363	Return spring	2	05.397.58.03.0	Ø 34 / 5 x 274	05.397.58.03.0	Ø 34 / 5 x 274
364	Return spring	8	03.397.44.06.0	Ø 21 / 4 x 105	03.397.44.06.0	Ø 21 / 4 x 105
367	Return spring (retention spring)	2	03.397.33.06.0	(hook)	03.397.33.06.0	(hook)
368	Return spring (retention spring)	2	03.397.33.07.0	(eye)	03.397.33.07.0	(eye)
BPW code no. for kit			09.801.02.38.0		09.801.02.39.0	

The axle beam and the brake were modified when the BPW 95 brake was introduced. The aforementioned repair kits 09.801.02.38.0 and 09.801.02.39.0 cover the versions before and after 1995. The illustrations above show the designation of the particular components.

BPW repair kits for axles of 6.5 t and above

1.1.3 Repair kit - Brake SN 42.. without brake shoes 09.801.06.79.0

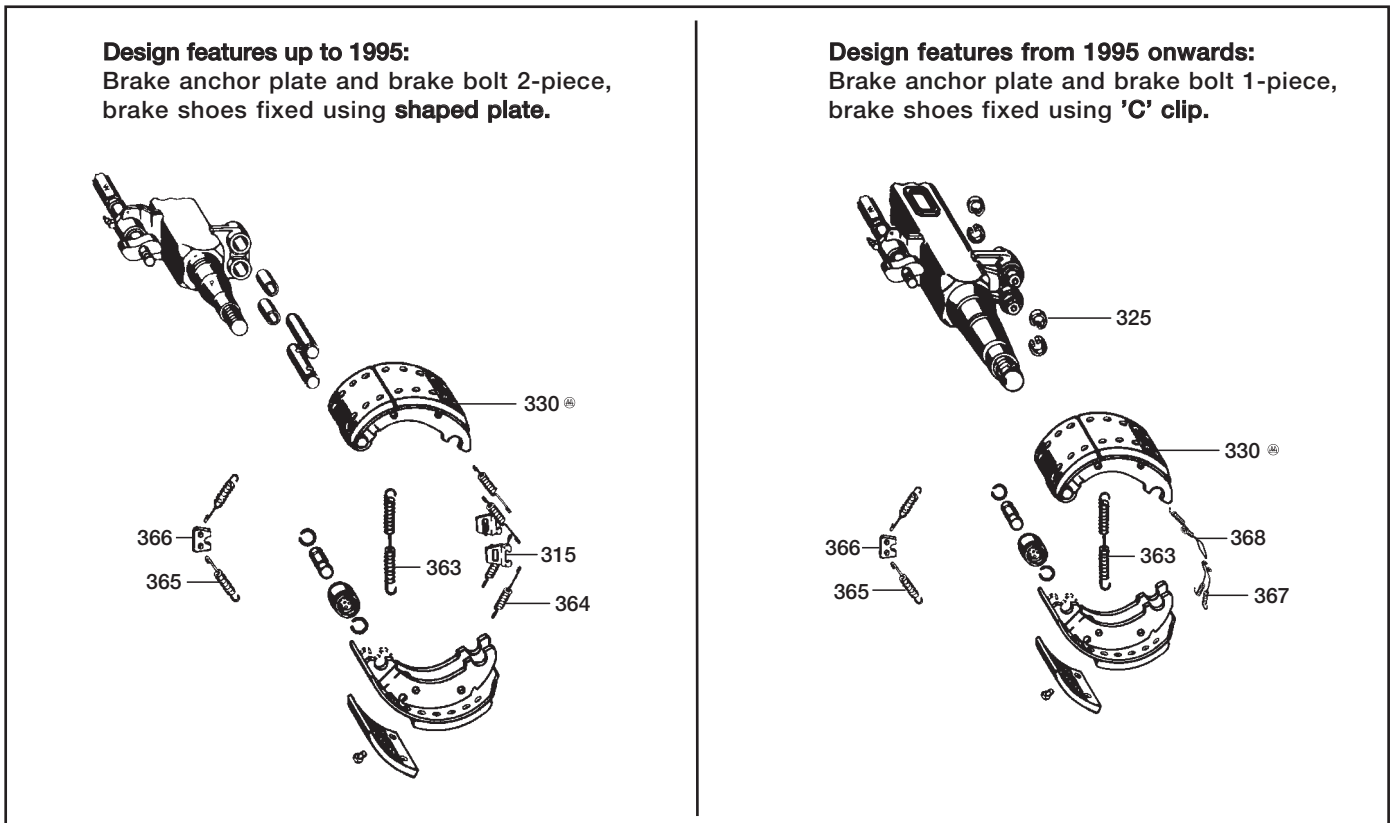
Design features from 1995 onwards:
 Brake anchor plate and brake bolt 1-piece,
 brake shoes fixed using 'C' clip.



Repair kit - Brake SN 42.. without brake shoes Axle type H / R

Contents per axle.			Axle type	Brake	Year of manufact.
			H/R 8 - 18 t	SN 4212 SN 4218 SN 4220	1984 - up to now 1984 - up to now 1984 - up to now
Item	Description	Quantity	BPW code no.	Dimension	
325	C-Clip	8	03.188.02.02.0		
363	Return spring	2	05.397.58.03.0	Ø 34 / 5 x 274	
367	Return spring (retention spring)	2	03.397.33.06.0	Hook	
368	Return spring (retention spring)	2	03.397.33.07.0	Eye	
BPW code no. for kit			09.801.06.79.0		

Repair kit - Brake SN 36.. 09.801.02.41.0 and 09.801.06.82.0 1.2.1



Repair kit - Brake SN 3616 with brake shoes			Axle type KH / KR			
Contents per axle.	Axle type	Brake	Year of manufact.	Axle type	Brake	Year of manufact.
	KH / KR 6.4 - 9 t SN 3616			1984 - up to now	KH / KR 6.4 - 9 t SN 3616	
Item.	Description	Quantity	BPW code no.	Dimension	BPW code no.	Dimension
315	Shaped plate	4	03.167.23.09.0			
325	'C' clip	8	03.188.02.02.0		03.188.02.02.0	
330	Brake shoe assembly	4	05.091.19.24.0			
363	Return spring	2	05.397.46.13.0	Ø 24.5 / 4 x 236	05.397.46.13.0	Ø 24.5 / 4 x 236
364	Return spring	8	03.397.44.06.0	Ø 21 / 4 x 105		
365	Return spring	4	03.397.44.10.0	Ø 22 / 4 x 119	03.397.44.10.0	Ø 22 / 4 x 119
366	Plate	2	03.285.22.05.0			
367	Return spring (retention spring)	2	03.397.33.06.0	(hook)	03.397.33.06.0	(hook)
368	Return spring (retention spring)	2	03.397.33.07.0	(eye)	03.397.33.07.0	(eye)
BPW code no. for kit			09.801.02.41.0		09.801.06.82.0	

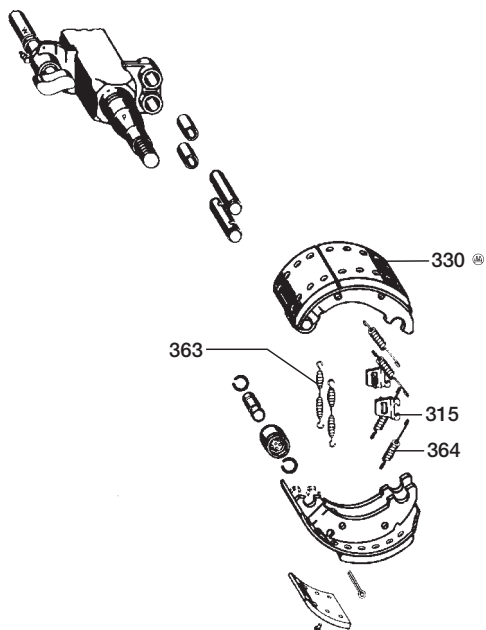
The axle beam and the brake were modified when the BPW 95 brake was introduced.
The aforementioned repair kits **09.801.02.41.0** and **09.801.06.82.0** cover the versions before and after **1995**. The illustrations above show the designation of the particular components.

BPW repair kits for axles of 6.5 t and above

1.2.2 Repair kit - Brake SN 36.. 09.801.02.40.0 and 09.801.06.81.0

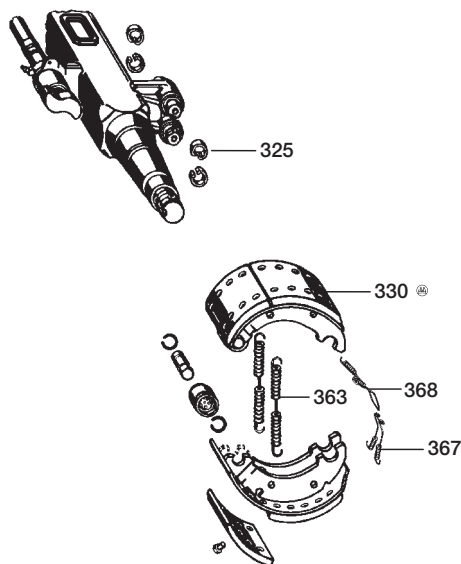
Design features up to 1995:

Brake anchor plate and brake bolt 2-piece,
brake shoes fixed using **shaped plate**.



Design features from 1995 onwards:

Brake anchor plate and brake bolt 1-piece,
brake shoes fixed using **'C' clip**.



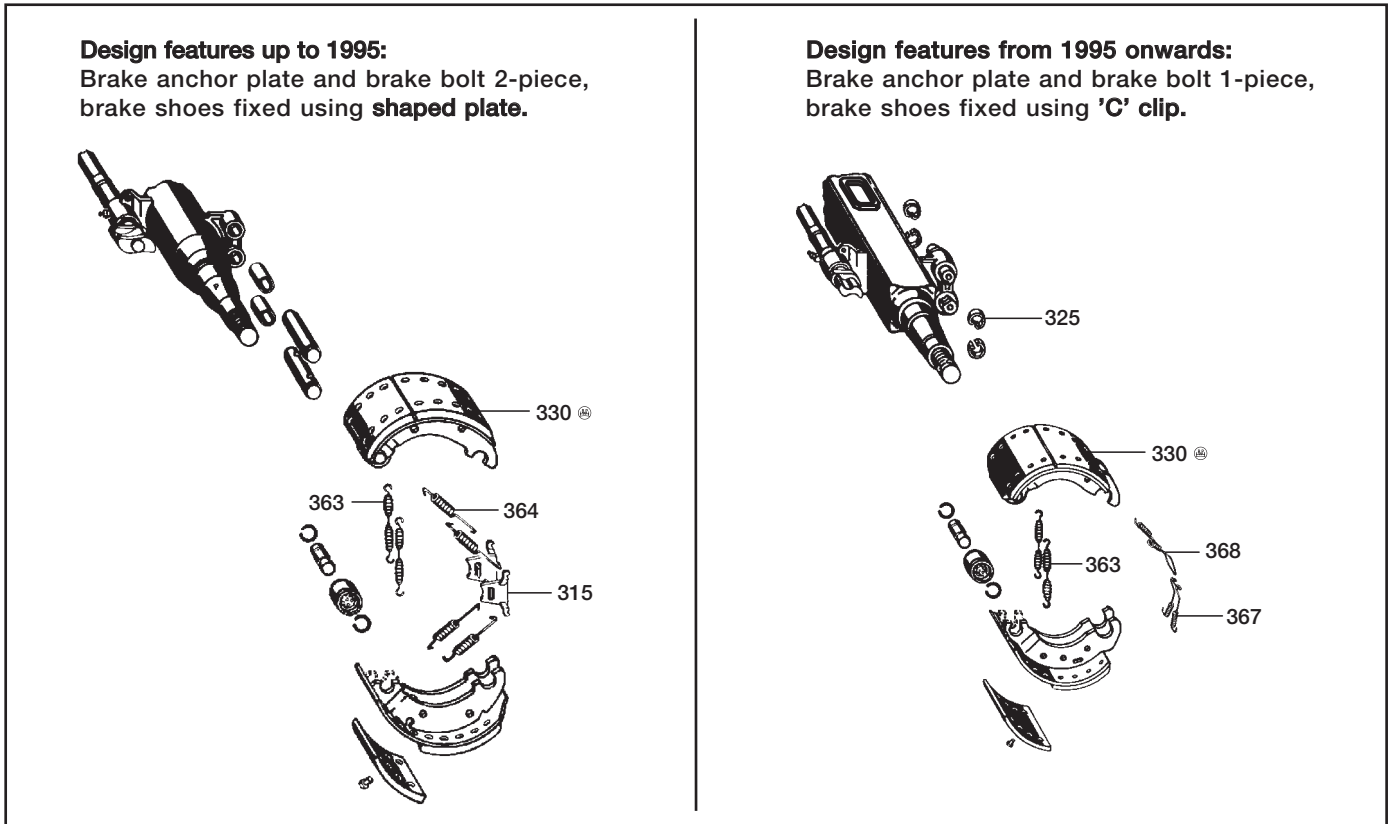
Repair kit - Brake SN 3620 with brake shoes

Axle type KH / KR

Contents per axle.			Axle type	Brake	Year of manufact.	Axle type	Brake	Year of manufact.
			KH / KR 8 - 13 t	SN 3620	1984 - up to now	KH / KR 8 - 13 t	SN 3620	1984 - up to now
Item	Description	Quantity	BPW code no.	Dimension		BPW code no.	Dimension	
315	Shaped plate	4	03.167.23.09.0					
325	'C' clip	8	03.188.02.02.0			03.188.02.02.0		
330	Brake shoe assembly	4	05.091.19.22.0					
363	Return spring	4	05.397.46.13.0	Ø 24.5 / 4 x 236		05.397.46.13.0	Ø 24.5 / 4 x 236	
364	Return spring	8	03.397.44.06.0	Ø 21 / 4 x 105				
367	Return spring (retention spring)	2	03.397.33.06.0	(hook)		03.397.33.06.0	(hook)	
368	Return spring (retention spring)	2	03.397.33.07.0	(eye)		03.397.33.07.0	(eye)	
BPW code no. for kit			09.801.02.40.0			09.801.06.81.0		

☞ **The axle beam and the brake were modified** when the **BPW 95 brake** was introduced. The aforementioned repair kits **09.801.02.40.0** and **09.801.06.81.0** cover the versions **before and after 1995**. The illustrations above show the designation of the particular components.

Repair kit - Brake SN 30.. 09.801.02.42.0 and 09.801.02.43.0 1.3.1

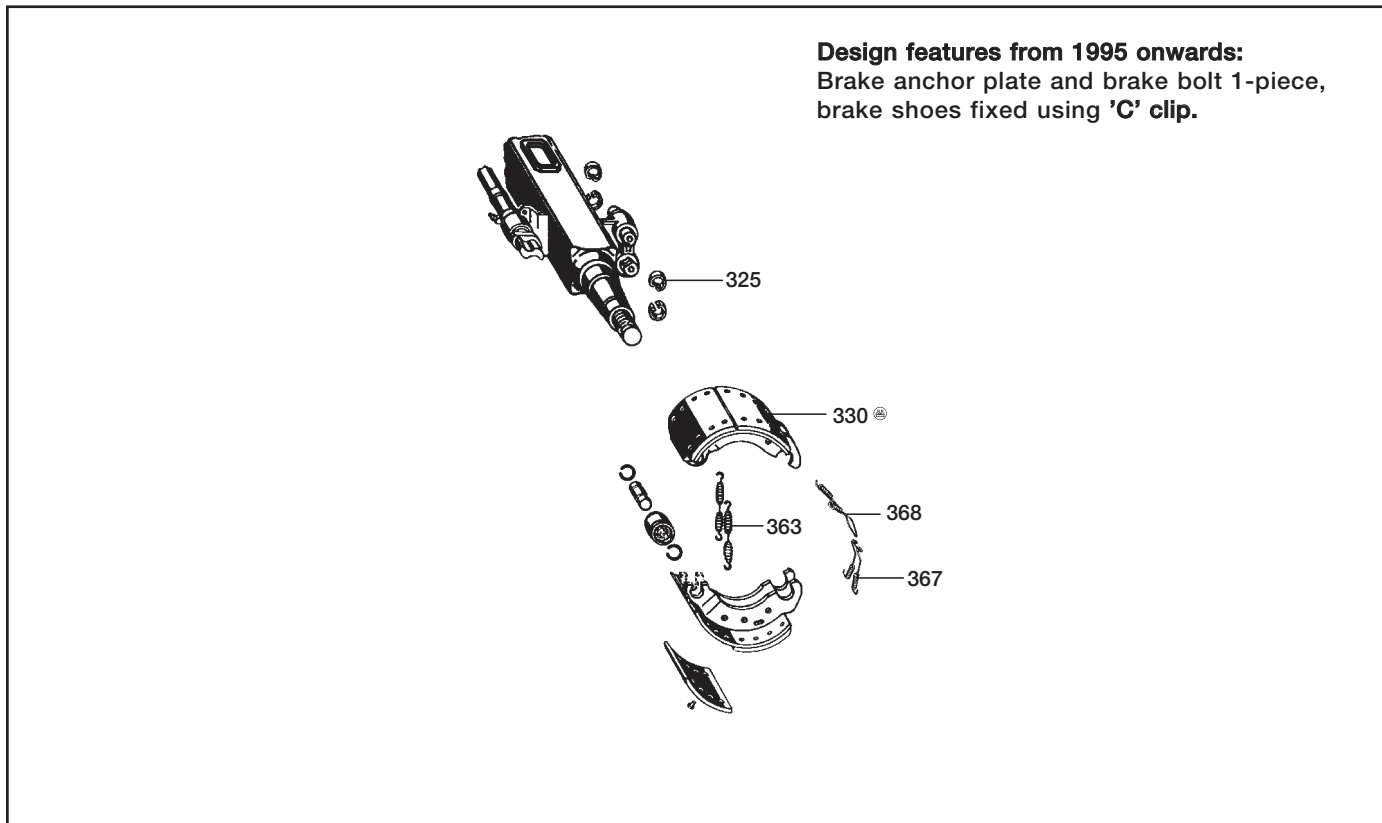


Repair kit - Brake SN 30.. with brake shoes					Axle type NH / NR		
Contents per axle.		Axle type	Brake	Year of manufact.	Axle type	Brake	Year of manufact.
		NH / NR 8 - 13 t	SN 3020-1	1990 - up to now	NH / NR 6 - 9 t	SN 3015	1990 - up to now
Item	Description	Quantity	BPW code no.	Dimension	BPW code no.	Dimension	
315	Shaped plate	4	03.167.24.01.0		03.167.24.01.0		
325	'C' clip	8	03.188.02.02.0		03.188.02.02.0		
330	Brake shoe assembly	4	05.091.14.77.0		05.091.15.05.0		
363	Return spring	4	05.397.34.17.0	Ø 20 / 3.6 x 180	05.397.34.17.0	Ø 20 / 3.6 x 180	
364	Return spring	8	03.397.44.06.0	Ø 21 / 4 x 105	03.397.44.06.0	Ø 21 / 4 x 105	
367	Return spring (retention spring)	2	03.397.33.08.0	(hook)	03.397.33.08.0	(hook)	
368	Return spring (retention spring)	2	03.397.33.09.0	(eye)	03.397.33.09.0	(eye)	
BPW code no. for kit			09.801.02.42.0		09.801.02.43.0		

👉 **The axle beam and the brake were modified when the BPW 95 brake was introduced. The aforementioned repair kits 09.801.02.42.0 and 09.801.02.43.0 cover the versions before and after 1995. The illustrations above show the designation of the particular components.**

BPW repair kits for axles of 6.5 t and above

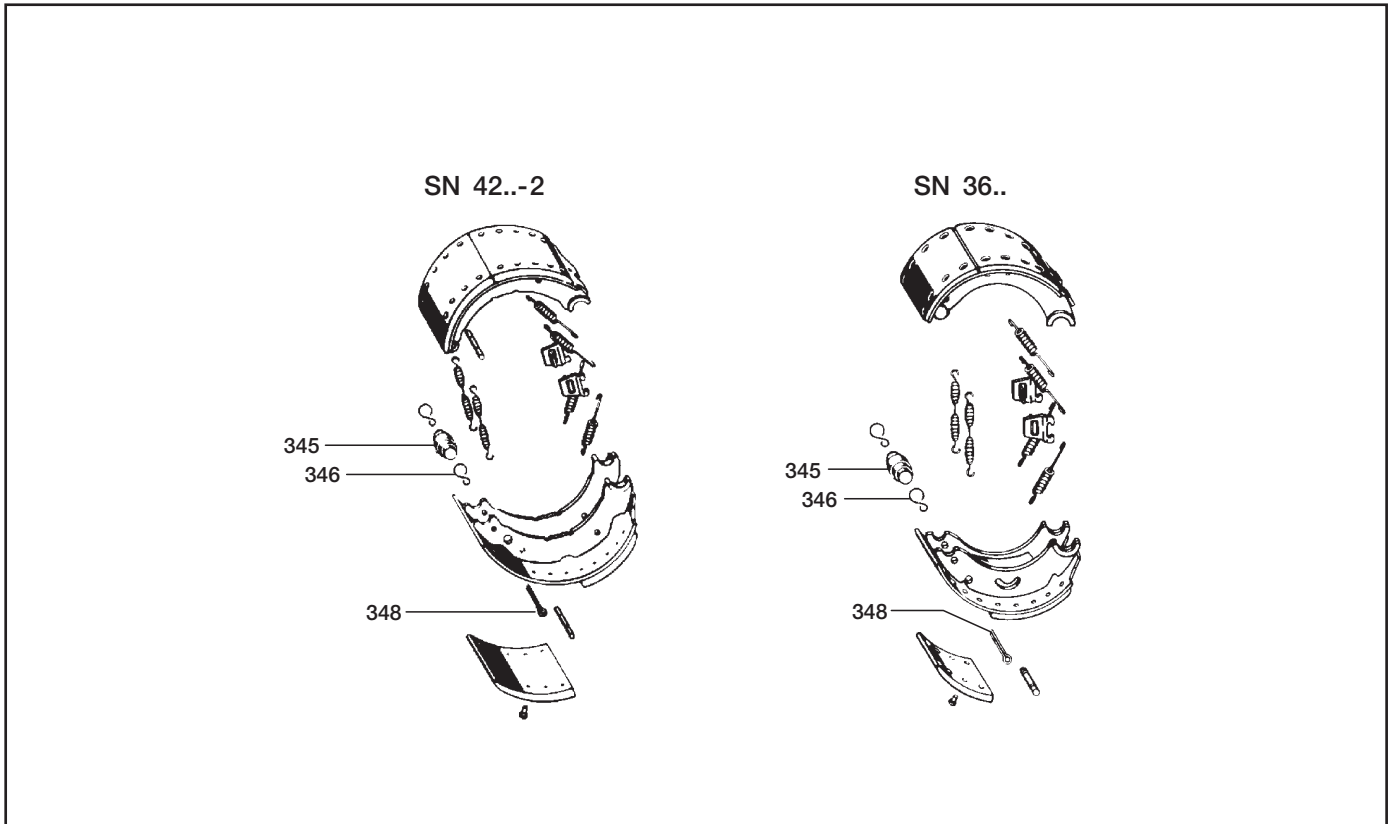
1.3.2 Repair kit - Brake SN 30.. without brake shoes 09.801.06.80.0



Repair kit - Brake SN 30.. without brake shoes Axle type NH / NR					
Contents per axle.			Axle type	Brake	Year of manufact.
			NH / NR 6 - 9 t	SN 3015	1990 - up to now
NH / NR 8 - 13 t	SN 3020-1	1990 - up to now			
Item	Description	Quantity	BPW code no.	Dimension	
325	C-clip	8	03.188.02.02.0		
363	Return spring	4	05.397.34.17.0	Ø 20 / 3.6 x 180	
367	Return spring (retention spring)	2	03.397.33.08.0	Hook	
368	Return spring (retention spring)	2	03.397.33.09.0	Eye	
BPW code no. for kit			09.801.06.80.0		

Repair kit - Brake shoe roller 09.801.02.10.0

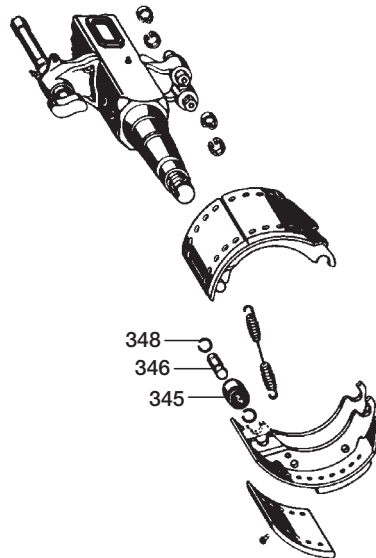
1.4



Repair kit - Brake shoe roller					
Contents per axle.			Axle type	Brake	Year of manufact.
			H / R 6 - 9 t	SN 4216-2	1984 - 95
H / R 6 - 9 t	SN 4218-2	1984 - 95			
H / R 6 - 9 t	SN 4220-2	1984 - 95			
H / R 6 - 9 t	SN 4222-2	1984 - 95			
KH / KR 8 - 13 t	SN 3620-2	up to 1995			
Item	Description	Quantity	BPW code no.	Dimension	
345	Roller	4	03.331.34.05.0	Ø 26 / 42 x 78	
346	Retention clip	8	03.350.00.13.0		
348	Split pin	4	02.6201.66.03	6.3 x 90	
BPW code no. for kit			09.801.02.10.0		

BPW repair kits for axles of 6.5 t and above

1.5 Repair kit - Brake shoe roller 09.801.02.91.0



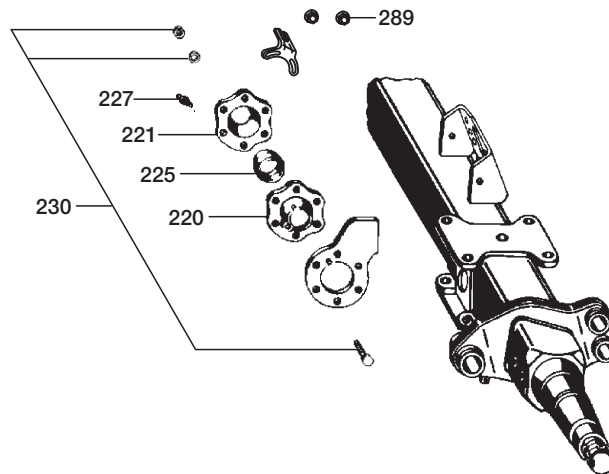
Repair kit - Brake shoe roller

Repair kit - Brake shoe roller					
Contents per brake.			Axle type	Brake	Year of manufact.
			H..	SN 42..	up to 1995
K..	SN 36..	up to 1995			
N..	SN 30..	up to 1995			
Item	Description	Quantity	BPW code no.	Dimension	
345	Roller	2	05.331.44.02.0	Roller with bush	
346	Bolt	2	03.084.75.24.0		
348	Ring	4	03.310.70.15.0	Ø 24	
BPW code no. for kit			09.801.02.91.0		

Repair kit - Pivot bearing 09.801.02.15.0

1.6

Fit lock nut 02.5273.32.82 when using AGS slack adjusters!

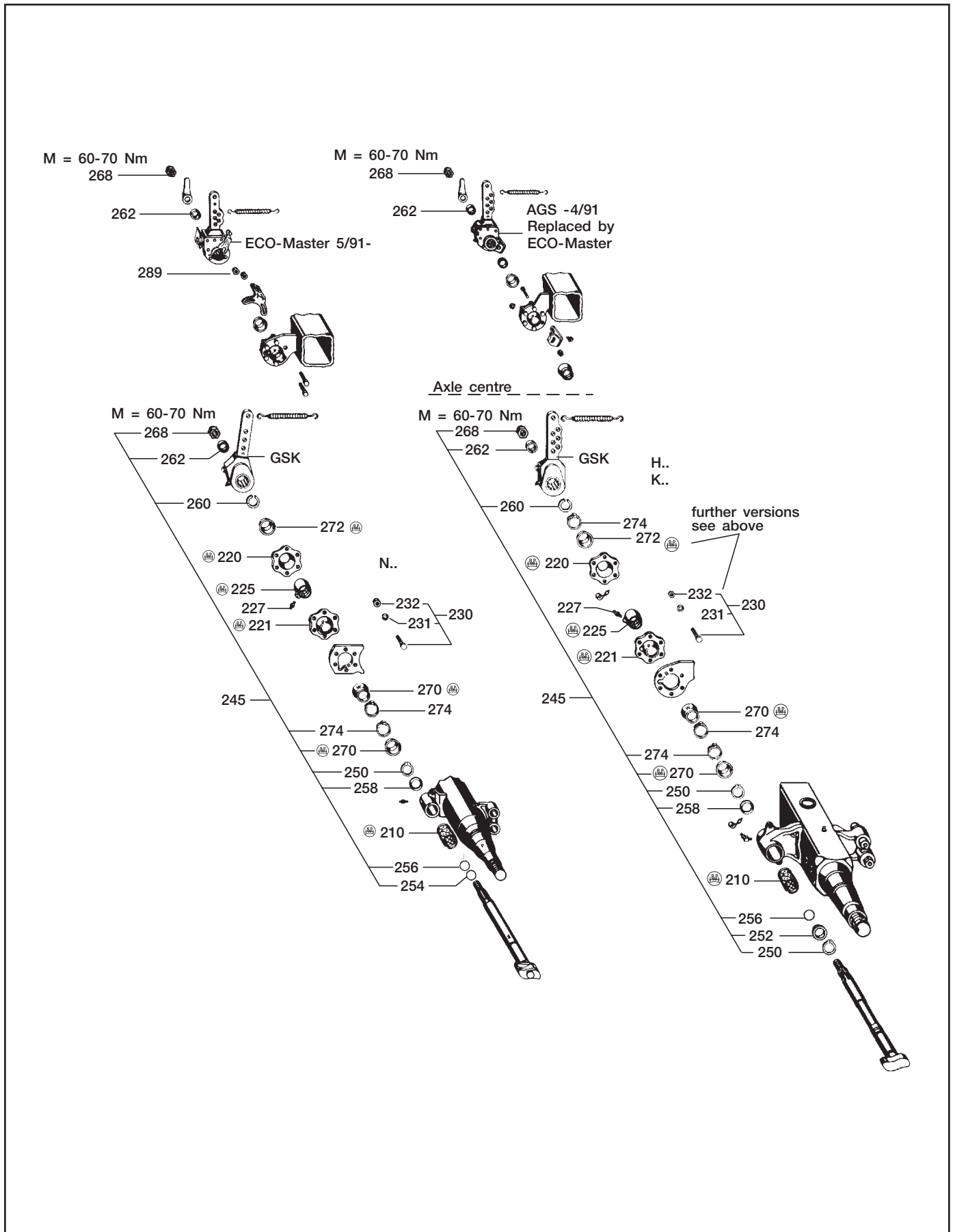


Repair kit - Support bearing

Contents per axle side.			Axle type	Brake	Year of manufact.
			H / R 6 - 18 t	all	up to 12/92
			KH / KR 6 - 13 t	all	up to 12/92
			NR 6 - 13 t	all	up to 12/92
Item	Description	Quantity	BPW code no.	Dimension	
220	Bearing box	1	03.229.02.09.0		
221	Bearing box	1	03.229.02.10.0		
225	Spherical bearing	1	03.113.14.01.0	Ø 42 / 60 x 38	
227	Grease nipple	1	02.6850.02.02	BS 8 x 1 / 71412	
230	Screw assembly	6	05.865.00.02.0	M 8 x 25	
289	Lock nut (Tensilock)	2	02.5273.32.82	M 8	
BPW code no. for kit			09.801.02.15.0		

BPW repair kits for axles of 6.5 t and above

1.7 Repair kit - Camshaft bearing 09.801.02.13.0 / 09.801.00.14.2

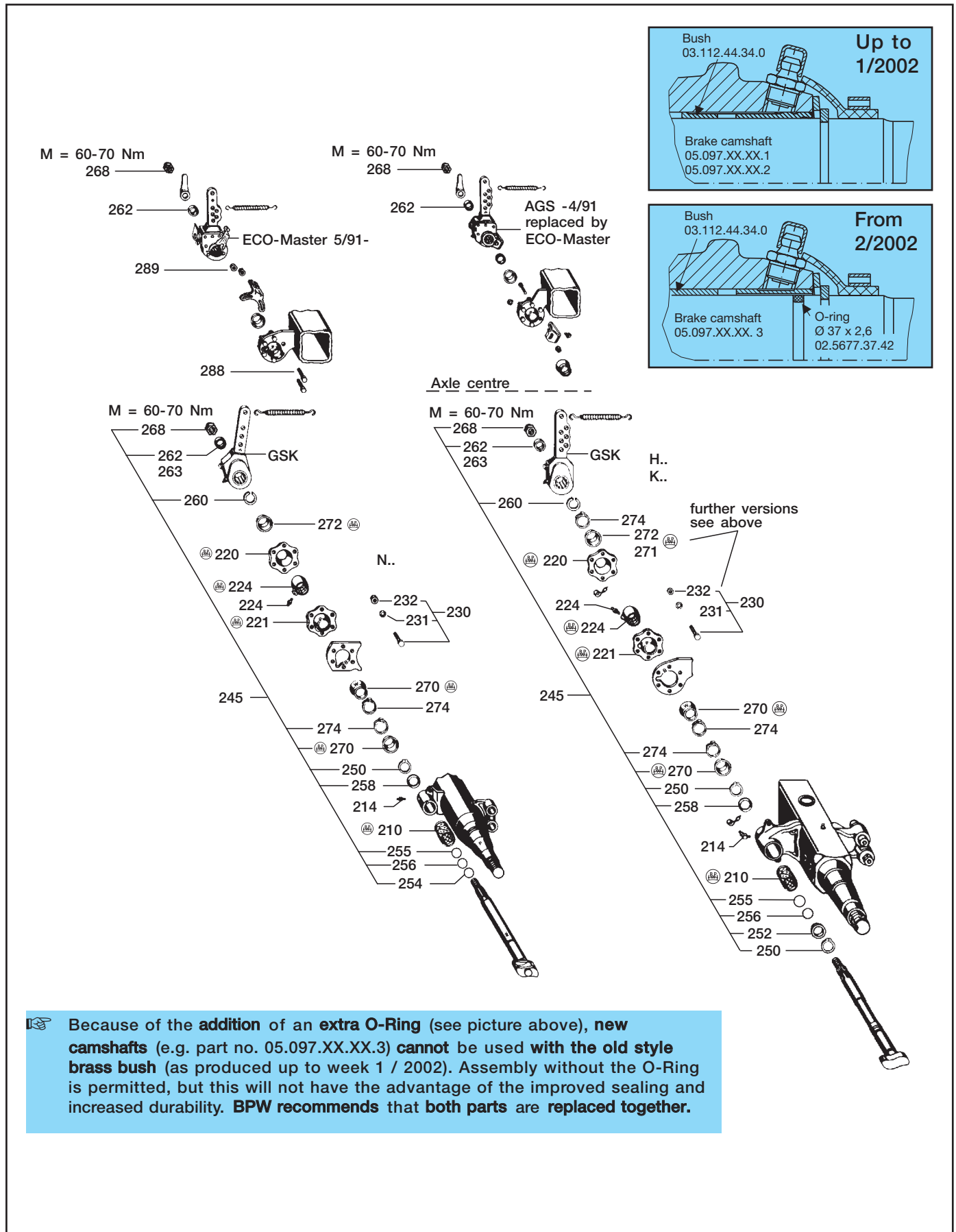


Repair kit - Brake camshaft bearing					
Contents per brake.			Axle type	Brake	Year of manufact.
			H..	SN 42..	up to 12/1992
K..	SN 36..	up to 12/1992			
N..	SN 30..	up to 12/1992			
Item	Description	Quantity	BPW code no.	Dimension	
210	Bush	1	03.112.44.34.0	Ø 42 / 46 x 73	
220	Bearing box	1	03.229.02.09.0		
221	Bearing box	1	03.229.02.10.0		
225	Spherical bearing	1	03.113.14.01.0	Ø 42 / 60 x 38	
227	Grease nipple	1	02.6850.02.02	BS 8 x 1	
230	Screw assembly	6	05.865.00.02.0	M 8 x 25	
245	Repair kit	1	09.801.00.14.2		
270	Sealing ring	1	03.120.43.14.0	Ø 41 / 47 x 25	
272	Sealing ring	1	03.120.43.10.0	Ø 34 / 39.5 x 25.5	
274	Retention clip	1	03.350.30.02.0	Ø 49 x 9	
289	Lock nut (Tensilock)	2	02.5273.32.82	M 8	
BPW code no. for kit			09.801.02.13.0		

Repair kit - Brake camshaft bearing					
Contents per brake.			Axle type	Brake	Year of manufact.
			H..	SN 42..	from 1/1993
K..	SN 36..	from 1/1993			
N..	SN 30..	from 1/1993			
Item	Description	Quantity	BPW code no.	Dimension	
250	Locking ring	2	02.5676.01.00	A 42 x 2.5	
252	Ring	1	03.310.12.24.0	Ø 42 / 46 / 55 x 7	
254	Ring	1	03.310.81.02.0	Ø 42 / 46 x 4 (for N..)	
256	O-Ring	1	02.5679.23.00	Ø 40 x 2.5 green	
258	Sealing ring	1	03.120.42.02.0	Ø 42 / 56 x 2	
260	Circlip	1	02.5616.05.90	Ø 37 / 41 x 2	
262	Washer	1	03.320.11.16.1	Ø 22.5 / 42 x 10.5	
268	Lock nut	1	03.260.14.08.0	M 22 x 1.5 - 10	
270	Sealing ring	1	03.120.43.14.0	Ø 41 / 47 x 25	
274	Circlip	1	03.350.30.02.0	Ø 49 x 9	
BPW code no. for kit			09.801.00.14.2		

BPW repair kits for axles of 6.5 t and above

1.8 Repair kit - Camshaft bearing 09.801.06.09.1 / 09.801.00.43.1



Because of the addition of an extra O-Ring (see picture above), new camshafts (e.g. part no. 05.097.XX.XX.3) cannot be used with the old style brass bush (as produced up to week 1 / 2002). Assembly without the O-Ring is permitted, but this will not have the advantage of the improved sealing and increased durability. BPW recommends that both parts are replaced together.

Repair kit - Brake camshaft bearing					
Contents per axle.			Axle type	Brake	Year of manufact.
			H..	SN 42..	from 1993
K..	SN 36..	from 1993			
N..	SN 30..	from 1993			
Item	Description	Quantity	BPW code no.	Dimension	
210	Bush	2	03.112.44.34.0	Ø 42 / 46 x 73	
214	Grease nipple	2	02.6802.03.50	AM 10 x 1	
220	Bearing box	2	03.229.02.19.0		
221	Bearing box	2	03.229.02.18.0		
224	Support cpl.	2	05.377.00.02.0		
231	Spring washer	4	02.5403.08.92	B8 / 137	
232	Hexagon nut	4	02.5202.12.82	M 8	
245	Repair kit	2	09.801.00.43.1		
271	Sealing ring	2	03.120.42.09.0	Ø 42 x 15	
272	Sealing ring	2	03.120.42.08.0	Ø 42 x 13.5	
288	Hexagon bolt	8	02.5025.30.82	M 8 x 25	
289	Lock nut (Tensilock)	4	02.5273.32.82	M 8	
BPW code no. for kit			09.801.06.09.1		

Repair kit - Brake camshaft bearing					
Contents per axle side.			Axle type	Brake	Year of manufact.
			H..	SN 42..	from 1993
K..	SN 36..	from 1993			
N..	SN 30..	from 1993			
Item	Description	Quantity	BPW code no.	Dimension	
250	Locking ring	2	02.5676.01.00	A 42 x 2.5	
252	Ring	1	03.310.12.24.0	Ø 42 / 46 / 55 x 7	
254	Ring	1	03.310.81.02.0	Ø 42 / 46 x 4 (for N..)	
255	O-ring	1	02.5677.37.42	Ø 37 x 2.6	
256	O-ring	1	02.5679.23.00	Ø 40 x 2.5 green	
258	Sealing ring	1	03.120.42.02.0	Ø 42 / 56 x 2	
260	Bush	1	03.113.03.06.0	Ø 37.4 / 45 x 21.3	
262	Disc	1	03.320.11.16.1	Ø 22.5 / 42 x 10.5	
268	Lock nut	1	03.260.14.08.0	M 22 x 1.5 - 10	
270	Sealing ring	1	03.120.43.14.0	Ø 41 / 47 x 25	
274	Circlip	1	03.350.30.02.0	Ø 49 x 9	
BPW code no. for kit			09.801.00.43.1		

BPW repair kits for axles of 6.5 t and above


1.9 Repair kit - Slack adjuster assembly

Slack adjuster	Slack adjuster assembly	Lever lengths	Axle type / brake	Remark
05.174.72.11.0 / 72.12.0	05.574.72.04.0	120 / 150 / 180 (250)	-	
05.174.82.18.3	05.574.82.63.3	120 / 160	R..	One-cylinder actuator
05.174.82.21.3	05.574.82.43.3	120-165 (250)	H.. / EH..	
05.174.82.24.3	05.574.82.44.3	120-165 (250)	NR..	
05.174.82.26.3	05.574.82.41.3	120-165 (250)	SAF	Without wear indicator
05.174.82.26.3	05.574.82.65.3	120-165 (250)	NRZ.. / KRZ..	B air cylinder bracket
05.174.82.31.3	05.574.82.67.3	120-165	NR..	Hanging cylinder
05.174.82.32.3	05.574.82.66.3	120-165	KR..	Hanging cylinder
05.174.82.34.3	05.574.82.31.3	100 / 125 / 150	R.. / SN 4008	Without wear indicator
05.174.82.44.3	05.574.82.46.3	120-165	Stub / MB..	Without wear indicator
05.174.82.47.3	05.574.82.86.3	120-165	H..HLL	Hanging cylinder
05.174.82.58.3	05.574.82.73.3	120-165 (250 = 18)	KK..	Without wear indicator
05.174.82.63.3	05.574.82.87.3	120-165 (250)	NH.. / KH.. / H..	BPW 95
05.174.82.67.3	05.574.83.01.3	120-165	KH..	BPW 95
05.174.82.74.3	05.574.82.93.3	120-165 (250)	H..	F air cylinder bracket; up to 06/01
05.174.82.75.3	05.574.83.08.3	120-165	H..	R air cylinder bracket
05.174.82.84.3	05.574.82.83.3	120-165	E..	N 3006 / 3506
05.174.83.04.3	05.574.82.88.3	120-165 (250)	KH..	F air cylinder bracket
05.174.83.05.3	05.574.83.07.3	120-165 (250)	H..	F air cylinder bracket
05.174.83.06.3	05.574.82.68.3	120-165	H..	S air cylinder bracket
05.174.88.07.1 / 88.08.1	05.574.88.01.1	150-180 (205 = 9.5)	H..LS	GK 44.5
05.174.88.09.1 / 88.10.1	05.574.88.02.1	150-180 (205 = 9.5)	H..LS	GK 34
05.174.88.12.1 / 88.13.1	05.574.88.19.1	150-180	N..L	GK 27
05.174.88.14.1 / 88.15.1	05.574.88.10.1	150-180 (205 = 9.5)	H..LS	GK 26
05.174.88.16.1 / 88.17.1	05.574.88.06.1	150 / 170 (104 = 9.5)	K..LS	GK 16
05.174.88.21.3 / 88.22.3	05.574.88.34.3	150/170	K..ZL	GK 20
05.174.88.48.1	05.574.88.30.1	180	N..P	Without wear indicator
05.174.88.51.3	05.574.88.22.3	120-165	NH..H / KH..H	BPW 95
05.174.88.68.3 / 88.69.3	05.574.88.23.3	150-180	H..HLL	GK 9
05.174.88.70.3 / 88.71.3	05.574.88.24.3	150-180 (205 = 9.5)	H..HLL	GK 34

Repair kit - Slack adjuster assembly

1.9

Slack adjuster	Slack adjuster assembly	Lever lengths	Axle type / brake	Remark
05.174.88.74.3 / 88.75.3	05.574.88.25.3	150-180 (205 = 9.5)	H..HLL	GK 19
05.174.88.81.3 / 88.82.3	05.574.88.27.3	150-180 (104 = 9.5)	N..LL	GK 9
05.174.88.83.3 / 88.84.3	05.574.88.28.3	150-180	K..LL	GK 21
05.174.88.87.3 / 88.88.3	05.574.88.39.3	150-180 (205 = 9.5)	NM..L	GK 36
05.174.88.93.3 / 88.94.3	05.574.88.31.3	150-180 (205 = 9.5)	K..ZL	GK 36
05.174.88.95.3 / 88.96.3	05.574.88.32.3	150-180 (205 = 9.5)	NM..L	GK 21
05.174.89.12.3 / 89.13.3	05.574.89.05.3	150-180 (205 = 9.5)	NM..L	GK 21

 The slack adjuster assembly contains not only the slack adjusters but also the necessary assembly components!

BPW repair kits for axles of 6.5 t and above

2.1 Repair kit - Guide pin / seal parts 09.801.06.24.0 and ..31.0

09.801.06.24.0 suitable for brake calipers:

SB 3745

05.362.70.22.2 / 23.2
05.362.70.26.2 / 27.2
05.362.70.28.0 / 29.0

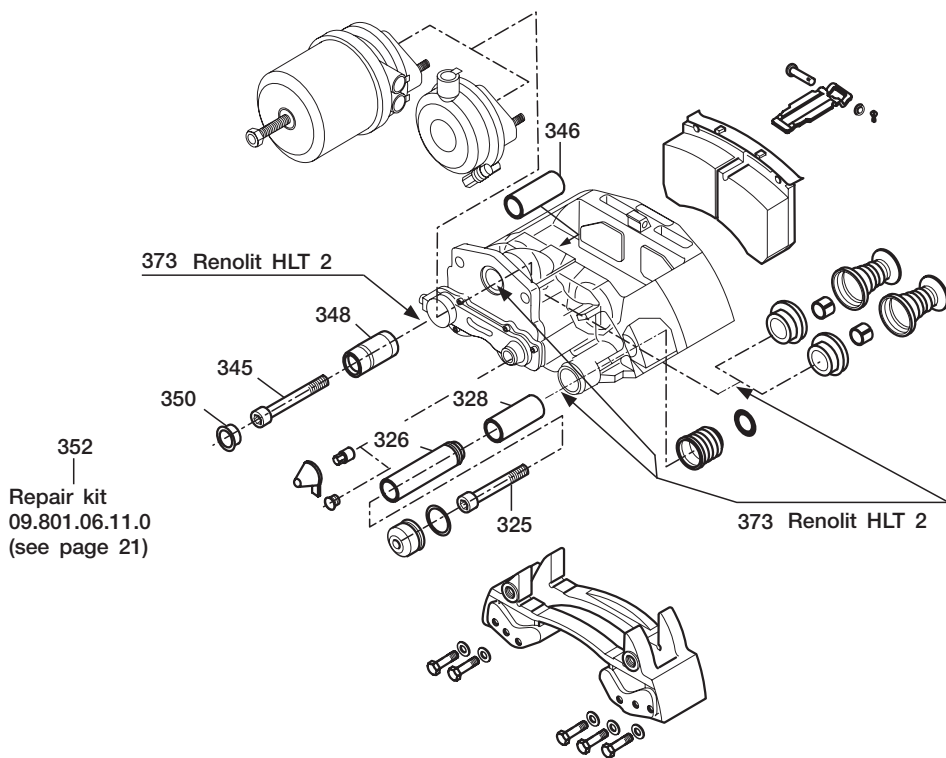
09.801.06.31.0 suitable for brake calipers:

SB 3745

05.362.70.16.0 / 17.0
05.362.70.22.0 / 23.0
05.362.70.22.1 / 23.1
05.362.70.26.0 / 27.0
05.362.70.26.1 / 27.1

SB 4345

05.362.70.12.0 / 13.0
05.362.70.24.0 / 25.0



The information shown on the **type plate** of your disc brake in order to be able to select the correct **repair kits and / or spare parts!**



Repair kit - Guide pin / seal parts

Contents per axle side.			Axle type	Brake	BPW code no.	Axle type	Brake	BPW code no.
			SKH..	SB 3745	Table	SKH.. SH..	SB 3745 SB 4345	Table Table
Item	Description	Quantity	BPW code no.	Dimension		BPW code no.	Dimension	
325	Cylinder cap screw	1	02.5015.72.15	M 16 x 1.5 x 86		02.5015.72.15	M 16 x 1.5 x 86	
326	Bush (guide sleeve)	1	02.0316.97.00	Ø 17 x 36 x 116		02.0316.97.00	Ø 17 x 36 x 116	
328	Guide bush	1	02.0315.36.00	Ø 36 / 40 x 82		02.0315.36.00	Ø 36 / 40 x 82	
345	Cylinder cap screw	1	02.5015.73.15	M 16 x 1.5 x 80		02.5015.73.15	M 16 x 1.5 x 80	
346	Bush	1	02.0314.06.00	Ø 17 / 32 x 80		02.0314.06.00	Ø 17 / 32 x 80	
348	Guide sleeve	1	02.1410.21.00	Ø stop ring = 39!		02.1410.22.00	Ø stop ring = 35!	
350	Cap	1	02.1827.07.00			02.1827.07.00		
352	Repair kit - Seal for guide pins	1	09.801.06.11.0			09.801.06.11.0		
373	Renolit HLT 2	2	02.1040.40.00	5 g tube		02.1040.40.00	5 g tube	
BPW code no. for kit			09.801.06.24.0			09.801.06.31.0		

Repair kit - Seal for guide pins 09.801.06.11.0

2.2

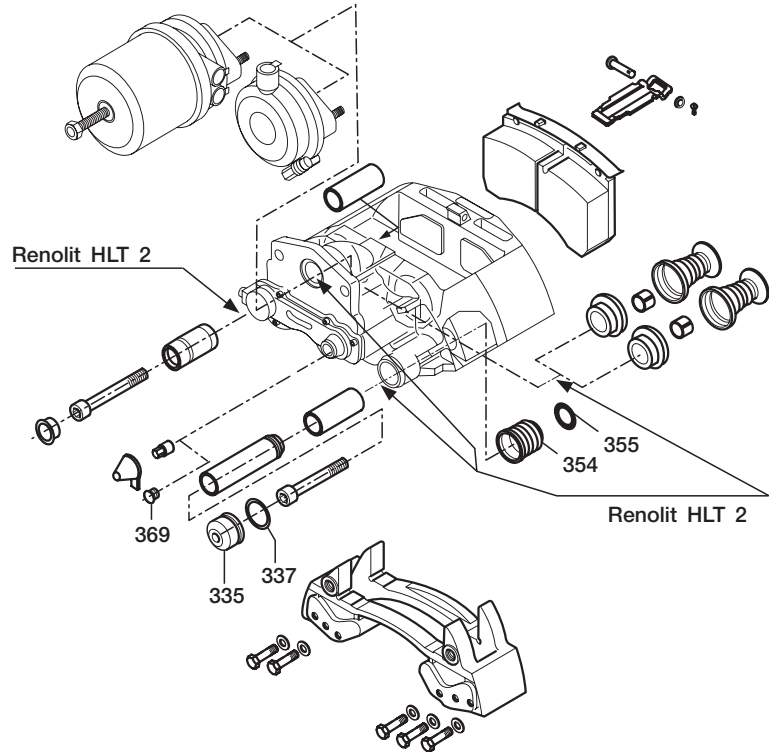
09.801.06.11.0 suitable for brake calipers:

SB 3745

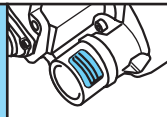
- 05.362.70.16.0 / 17.0
- 05.362.70.22.0 / 23.0
- 05.362.70.22.1 / 23.1
- 05.362.70.22.2 / 23.2
- 05.362.70.26.0 / 27.0
- 05.362.70.26.1 / 27.1
- 05.362.70.26.2 / 27.2
- 05.362.70.28.0 / 29.0

SB 4345

- 05.362.70.12.0 / 13.0
- 05.362.70.24.0 / 25.0



The information shown on the **type plate** of your disc brake in order to be able to select the correct **repair kits and / or spare parts!**



Repair kit - Seal for guide pins

Contents per axle side.			Axle type	Brake	BPW code no.
			SKH.. SH..	SB 3745 SB 4345	Table Table
Item	Description	Quantity	BPW code no.	Dimension	
335	Cap (steel cap)	1	02.1827.06.00		
337	O-ring	1	02.5677.98.00	Ø 47 x 2.6	
354	Bellow	1	02.1011.24.00	Ø 44 / 30 x 37.8	
355	Ring	1	02.5683.74.00	Ø 50 / 36.5 x 5.4	
369	Cap	1	02.1827.04.00		
BPW code no. for kit			09.801.06.11.0		

BPW repair kits for axles of 6.5 t and above

2.3 Repair kit - Guide pin / seal parts 09.801.06.33.0

09.801.06.33.0 suitable for brake calipers:

SB 3745

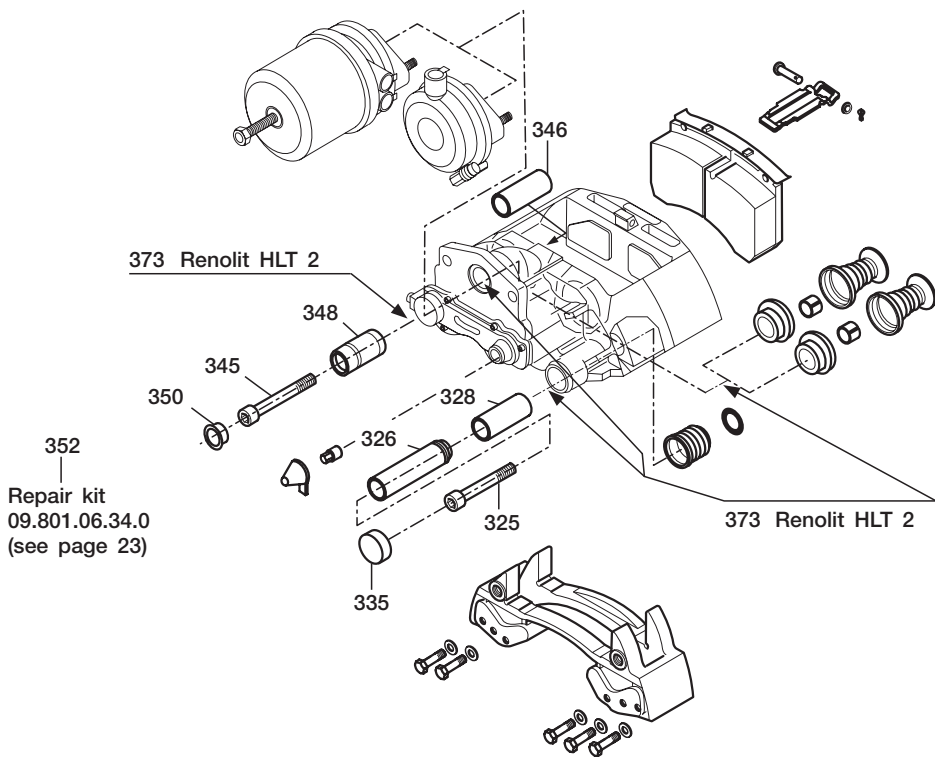
- 05.362.70.30.0 / 31.0
- 05.362.70.36.0 / 37.0
- 05.362.70.36.1 / 37.1
- 05.362.70.36.2 / 37.2
- 05.362.70.40.0 / 41.0
- 05.362.70.40.1 / 41.1
- 05.362.70.60.0 / 61.0
- 05.362.70.60.2 / 61.2
- 05.362.70.60.3 / 61.3
- 05.362.70.66.0 / 67.0

SB 4309

- 05.362.70.62.0 / 63.0
- 05.362.70.62.1 / 63.1
- 05.362.70.70.0 / 71.1

SB 4345

- 05.362.70.12.0 / 13.0
- 05.362.70.24.0 / 25.0
- 05.362.70.32.0 / 33.0
- 05.362.70.34.0 / 35.0
- 05.362.70.38.0 / 39.0
- 05.362.70.38.1 / 39.1
- 05.362.70.38.2 / 39.2
- 05.362.70.42.0 / 43.0
- 05.362.70.42.1 / 43.1
- 05.362.70.42.2 / 43.2
- 05.362.70.42.3 / 43.3
- 05.362.70.64.0 / 65.0
- 05.362.70.64.2 / 65.2
- 05.362.70.64.3 / 65.3
- 05.362.70.68.0 / 69.0
- 05.362.70.68.1 / 69.1



The information shown on the **type plate** of your disc brake in order to be able to select the correct **repair kits and / or spare parts!**

Repair kit - Guide pin / seal parts					
Contents per axle side.			Axle type	Brake	BPW code no.
			SKH..	SB 3745	Table
SH..	SB 4309	Table			
SH..	SB 4345	Table			
Item	Description	Quantity	BPW code no.	Dimension	
325	Cylinder cap screw	1	02.5015.72.15	M 16 x 1.5 x 86	
326	Bush (guide sleeve)	1	02.0316.97.00	Ø 17 x 36 x 116	
328	Guide bush	1	02.0315.36.00	Ø 36 / 40 x 82	
345	Cylinder cap screw	1	02.5015.73.15	M 16 x 1.5 x 80	
346	Bush	1	02.0314.06.00	Ø 17 / 32 x 80	
348	Guide sleeve	1	02.1410.21.00	Ø stop ring = 39!	
350	Cap	1	02.1827.07.00		
352	Repair kit - Seal for guide pins	1	09.801.06.34.0		
373	Renolit HLT 2	2	02.1040.40.00	5 g tube	
BPW code no. for kit			09.801.06.33.0		

Repair kit - Seal for guide pins 09.801.06.34.0

2.4

09.801.06.34.0 suitable for brake calipers:

SB 3745

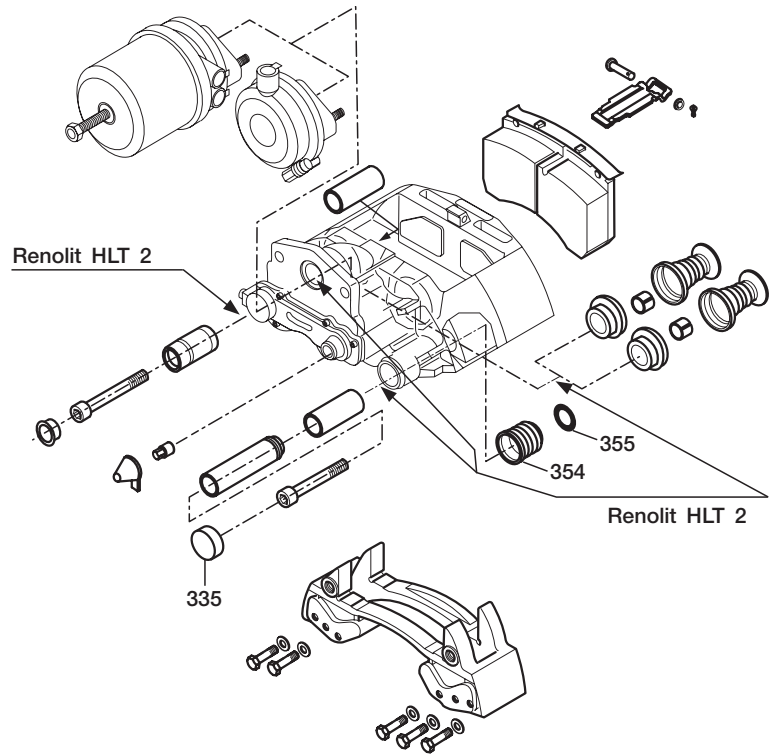
- 05.362.70.30.0 / 31.0
- 05.362.70.36.0 / 37.0
- 05.362.70.36.1 / 37.1
- 05.362.70.36.2 / 37.2
- 05.362.70.40.0 / 41.0
- 05.362.70.40.1 / 41.1
- 05.362.70.60.0 / 61.0
- 05.362.70.60.2 / 61.2
- 05.362.70.60.3 / 61.3
- 05.362.70.66.0 / 67.0

SB 4309

- 05.362.70.62.0 / 63.0
- 05.362.70.62.1 / 63.1
- 05.362.70.70.0 / 71.1

SB 4345

- 05.362.70.12.0 / 13.0
- 05.362.70.24.0 / 25.0
- 05.362.70.32.0 / 33.0
- 05.362.70.34.0 / 35.0
- 05.362.70.38.0 / 39.0
- 05.362.70.38.1 / 39.1
- 05.362.70.38.2 / 39.2
- 05.362.70.42.0 / 43.0
- 05.362.70.42.1 / 43.1
- 05.362.70.42.2 / 43.2
- 05.362.70.42.3 / 43.3
- 05.362.70.64.0 / 65.0
- 05.362.70.64.2 / 65.2
- 05.362.70.64.3 / 65.3
- 05.362.70.68.0 / 69.0
- 05.362.70.68.1 / 69.1



The information shown on the **type plate** of your disc brake in order to be able to select the correct **repair kits and / or spare parts!**



Repair kit - Seal for guide pins

Contents per axle side.			Axle type	Brake	BPW code no.
			SKH..	SB 3745	Table
SH..	SB 4309	Table			
SH..	SB 4345	Table			
Item	Description	Quantity	BPW code no.	Dimension	
335	Cap	1	02.0601.19.00		
354	Bellows	1	02.1011.24.00	Ø 44 / 30 x 37.8	
355	Ring	1	02.5683.74.00	Ø 50 / 36.5 x 5.4	
BPW code no. for kit			09.801.06.34.0		

BPW repair kits for axles of 6.5 t and above

2.5 Repair kit - Loose bearing 09.801.06.90.0 and 09.801.06.91.0

09.801.06.90.0 suitable for brake calipers:

SB 3745

- 05.362.70.16.0 / 17.0
- 05.362.70.22.0 / 23.0
- 05.362.70.22.1 / 23.1
- 05.362.70.26.0 / 27.0
- 05.362.70.26.1 / 27.1

SB 4345

- 05.362.70.12.0 / 13.0
- 05.362.70.24.0 / 25.0

09.801.06.91.0 suitable for brake calipers:

SB 3745

- 05.362.70.22.2 / 23.2
- 05.362.70.26.2 / 27.2
- 05.362.70.28.0 / 29.0
- 05.362.70.30.0 / 31.0
- 05.362.70.36.0 / 37.0
- 05.362.70.36.1 / 37.1
- 05.362.70.36.2 / 37.2
- 05.362.70.40.0 / 41.0
- 05.362.70.40.1 / 41.1
- 05.362.70.60.0 / 61.0
- 05.362.70.60.2 / 61.2
- 05.362.70.60.3 / 61.3
- 05.362.70.66.0 / 67.0

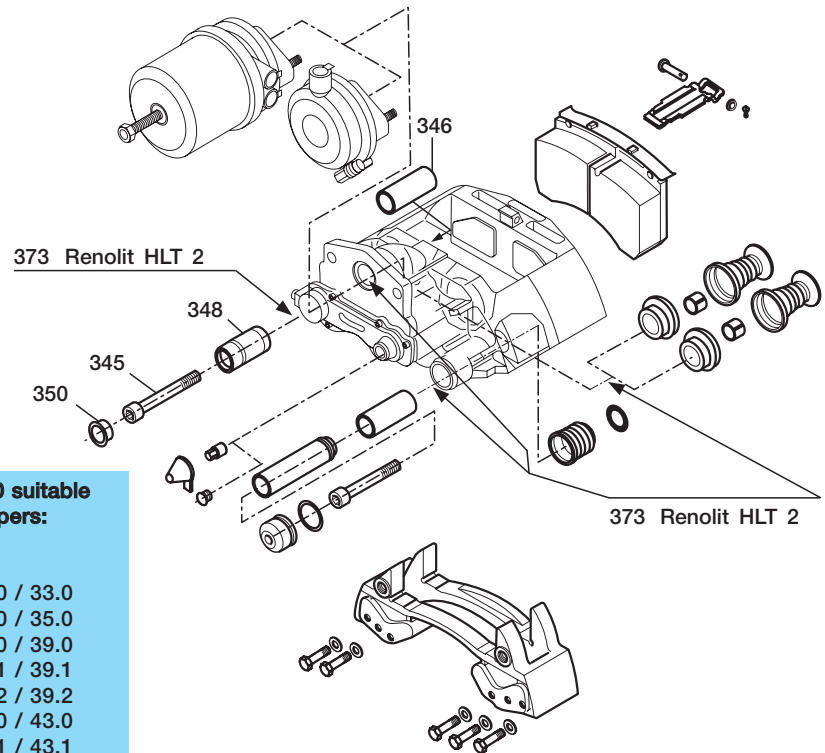
SB 4309

- 05.362.70.62.0 / 63.0
- 05.362.70.62.1 / 63.1
- 05.362.70.70.0 / 71.1

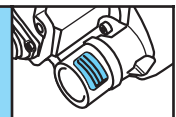
09.801.06.91.0 suitable for brake calipers:

SB 4345

- 05.362.70.32.0 / 33.0
- 05.362.70.34.0 / 35.0
- 05.362.70.38.0 / 39.0
- 05.362.70.38.1 / 39.1
- 05.362.70.38.2 / 39.2
- 05.362.70.42.0 / 43.0
- 05.362.70.42.1 / 43.1
- 05.362.70.42.2 / 43.2
- 05.362.70.42.3 / 43.3
- 05.362.70.64.0 / 65.0
- 05.362.70.64.2 / 65.2
- 05.362.70.64.3 / 65.3
- 05.362.70.68.0 / 69.0
- 05.362.70.68.1 / 69.1



The information shown on the **type plate** of your disc brake in order to be able to select the correct **repair kits and / or spare parts!**



Repair kit - Loose bearing

Contents per axle side.	Axle type	Brake	BPW code no.	Axle type	Brake	BPW code no.
		SKH.. SH..	SB 3745 SB 4345	Table Table	SKH.. SH.. SH..	SB 3745 SB 4309 SB 4345
Item	Description	Quantity	BPW code no.	Dimension	BPW code no.	Dimension
345	Cylinder cap screw	1	02.5015.73.15	M 16 x 1.5 x 80	02.5015.73.15	M 16 x 1.5 x 80
346	Bush	1	02.0314.06.00	Ø 17 / 32 x 80	02.0314.06.00	Ø 17 / 32 x 80
348	Guide sleeve	1	02.1410.21.00	Ø stop ring = 35!	02.1410.21.00	Ø stop ring = 39!
350	Cap	1	02.1827.07.00		02.1827.07.00	
373	Renolit HLT 2	1	02.1040.40.00	5 g tube	02.1040.40.00	5 g tube
BPW code no. for kit			09.801.06.90.0		09.801.06.91.0	

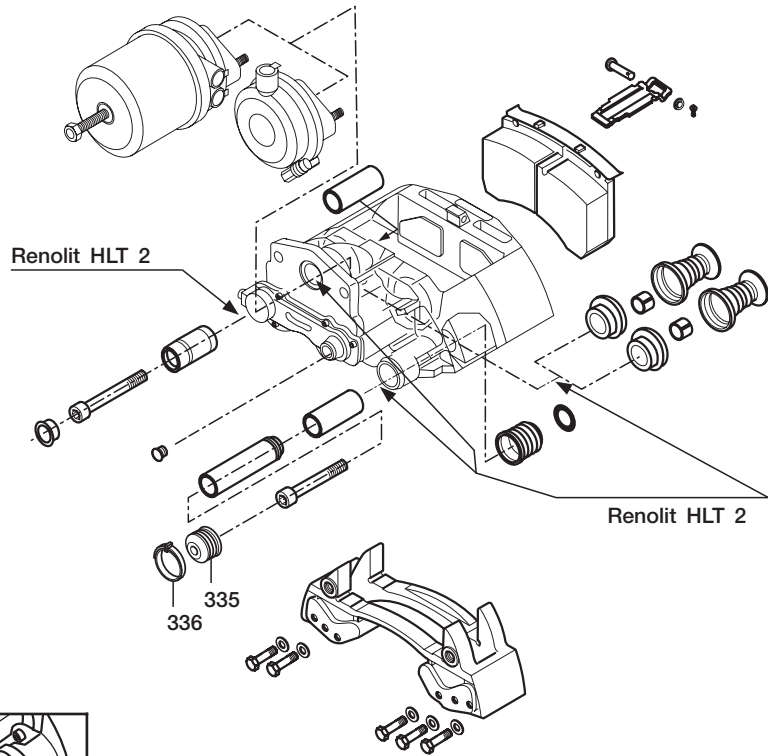
09.801.02.58.0 suitable for brake calipers:

SB 3745

- 05.362.70.16.0 / 17.0
- 05.362.70.22.0 / 23.0
- 05.362.70.22.1 / 23.1
- 05.362.70.26.0 / 27.0
- 05.362.70.26.1 / 27.1

SB 4345

- 05.362.70.12.0 / 13.0
- 05.362.70.24.0 / 25.0



The information shown on the **type plate** of your disc brake in order to be able to select the correct **repair kits and / or spare parts!**



Repair kit - Bellows / hose clip

Contents for one axle.			Axle type	Brake	BPW code no.
			SKH.. SH..	SB 3745 SB 4345	Table Table
Item	Description	Quantity	BPW code no.	Dimension	
335	Bellow	2	02.1011.25.00	Ø 46 x 38	
336	Hose clip	2	02.3502.38.00		
BPW code no. for kit			09.801.02.58.0		

BPW repair kits for axles of 6.5 t and above

2.7 Repair kit - Seal for guide pins 09.801.02.60.0

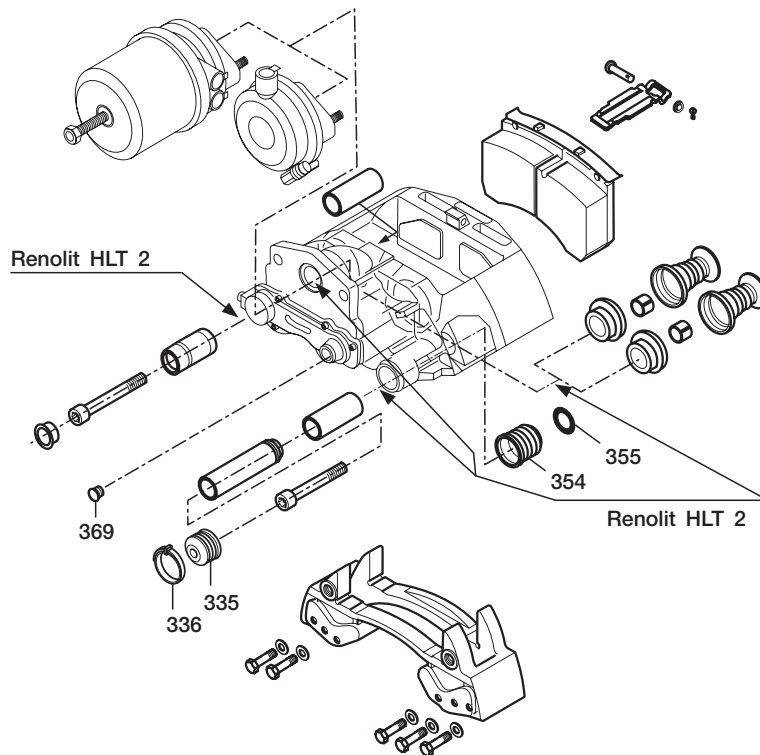
09.801.02.60.0 suitable for brake calipers:

SB 3745

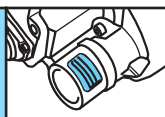
- 05.362.70.16.0 / 17.0
- 05.362.70.22.0 / 23.0
- 05.362.70.22.1 / 23.1
- 05.362.70.26.0 / 27.0
- 05.362.70.26.1 / 27.1

SB 4345

- 05.362.70.12.0 / 13.0
- 05.362.70.24.0 / 25.0



The information shown on the **type plate** of your disc brake in order to be able to select the correct **repair kits and / or spare parts!**



Repair kit - Seal for guide pins					
Contents per axle side.			Axle type	Brake	BPW code no.
			SKH.. SH..	SB 3745 SB 4345	Table Table
Item	Description	Quantity	BPW code no.	Dimension	
335	Bellow	1	02.1011.25.00	Ø 46 x 38	
336	Hose clip	1	02.3502.38.00		
354	Bellow	1	02.1011.24.00	Ø 44 / 30 x 37.8	
355	Ring	1	02.5683.74.00	Ø 36.6 / 50 x 5.4	
369	Cap	1	02.1827.04.00		
BPW code no. for kit			09.801.02.60.0		

09.801.06.25.0 suitable for brake calipers:

SB 3745

- 05.362.70.16.0 / 17.0
- 05.362.70.22.0 / 23.0
- 05.362.70.22.1 / 23.1
- 05.362.70.22.2 / 23.2
- 05.362.70.26.0 / 27.0
- 05.362.70.26.1 / 27.1
- 05.362.70.26.2 / 27.2
- 05.362.70.28.0 / 29.0
- 05.362.70.30.0 / 31.0
- 05.362.70.36.0 / 37.0
- 05.362.70.36.1 / 37.1
- 05.362.70.36.2 / 37.2
- 05.362.70.40.0 / 41.0
- 05.362.70.40.1 / 41.1
- 05.362.70.60.0 / 61.0
- 05.362.70.60.2 / 61.2
- 05.362.70.60.3 / 61.3
- 05.362.70.66.0 / 67.0

SB 4309

- 05.362.70.62.0 / 63.0
- 05.362.70.62.1 / 63.1
- 05.362.70.70.0 / 71.1

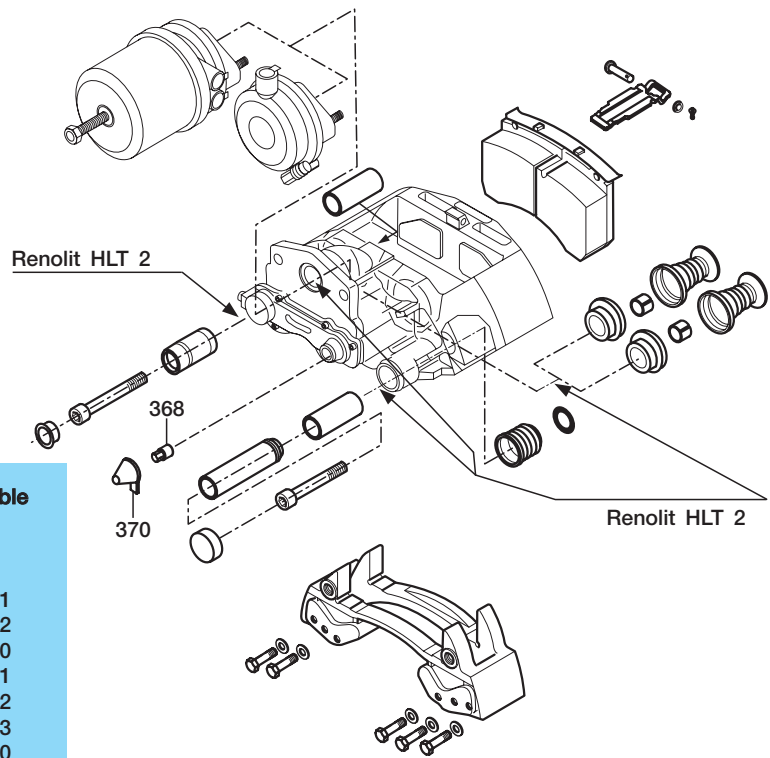
SB 4345

- 05.362.70.12.0 / 13.0
- 05.362.70.24.0 / 25.0
- 05.362.70.32.0 / 33.0
- 05.362.70.34.0 / 35.0
- 05.362.70.38.0 / 39.0
- 05.362.70.38.1 / 39.1
- 05.362.70.38.2 / 39.2
- 05.362.70.42.0 / 43.0

09.801.06.25.0 suitable for brake calipers:

SB 4345

- 05.362.70.42.1 / 43.1
- 05.362.70.38.2 / 39.2
- 05.362.70.42.0 / 43.0
- 05.362.70.42.1 / 43.1
- 05.362.70.42.2 / 43.2
- 05.362.70.42.3 / 43.3
- 05.362.70.64.0 / 65.0
- 05.362.70.64.2 / 65.2
- 05.362.70.64.3 / 65.3
- 05.362.70.68.0 / 69.0
- 05.362.70.68.1 / 69.1



The information shown on the **type plate** of your disc brake in order to be able to select the correct **repair kits and / or spare parts!**

Repair kit - Adjuster adapter (interchangeable adapter)								
Contents per axle side.			Axle type	Brake	BPW code no.			
			SKH..	SH..	SH..	SB 3745	SB 4309	SB 4345
Item	Description	Quantity	BPW code no.	Dimension				
368	Adjuster adapter	1	02.2400.11.00					
370	Cap	1	02.1827.08.00	Ø 38				
370	Cap	1	02.1827.09.00	Ø 35				
BPW code no. for kit			09.801.06.25.0					

BPW repair kits for axles of 6.5 t and above

2.9 Repair kit - Tappet parts with bellows 09.801.02.63.0 and ..06.32.0

09.801.06.32.0 suitable for brake calipers:

SB 3745

- 05.362.70.30.0 / 31.0
- 05.362.70.36.0 / 37.0
- 05.362.70.36.1 / 37.1
- 05.362.70.36.2 / 37.2
- 05.362.70.40.0 / 41.0
- 05.362.70.40.1 / 41.1
- 05.362.70.60.0 / 61.0
- 05.362.70.60.2 / 61.2
- 05.362.70.60.3 / 61.3
- 05.362.70.66.0 / 67.0

SB 4309

- 05.362.70.62.0 / 63.0
- 05.362.70.62.1 / 63.1
- 05.362.70.70.0 / 71.1

SB 4345

- 05.362.70.32.0 / 33.0
- 05.362.70.34.0 / 35.0
- 05.362.70.38.0 / 39.0
- 05.362.70.38.1 / 39.1
- 05.362.70.38.2 / 39.2
- 05.362.70.42.0 / 43.0
- 05.362.70.42.1 / 43.1
- 05.362.70.42.2 / 43.2
- 05.362.70.42.3 / 43.3
- 05.362.70.64.0 / 65.0
- 05.362.70.64.2 / 65.2
- 05.362.70.64.3 / 65.3
- 05.362.70.68.0 / 69.0
- 05.362.70.68.1 / 69.1

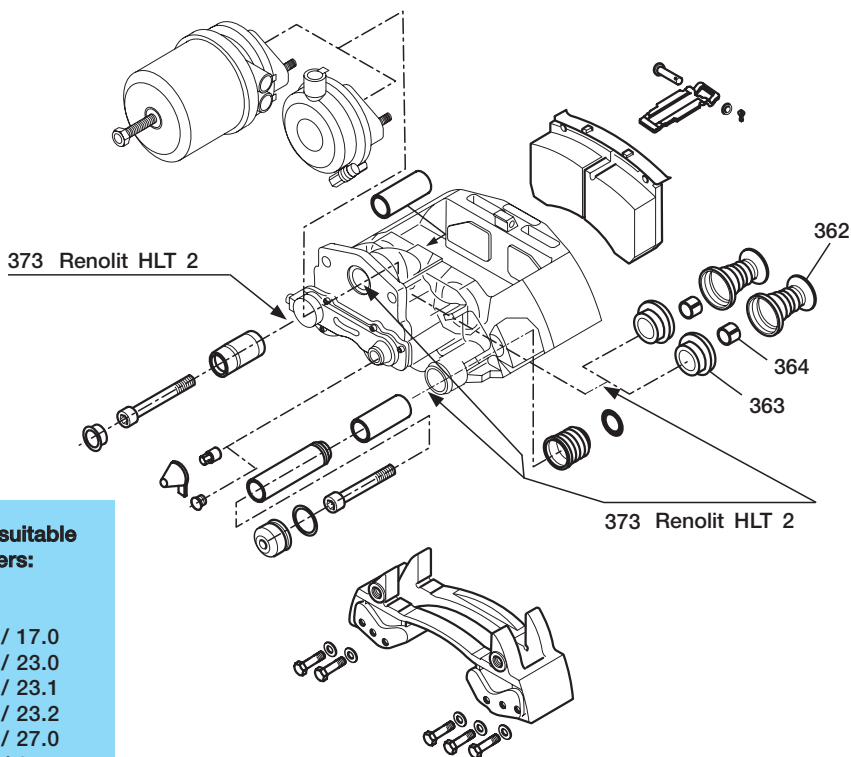
09.801.02.63.0 suitable for brake calipers:

SB 3745


- 05.362.70.16.0 / 17.0
- 05.362.70.22.0 / 23.0
- 05.362.70.22.1 / 23.1
- 05.362.70.22.2 / 23.2
- 05.362.70.26.0 / 27.0
- 05.362.70.26.1 / 27.1
- 05.362.70.26.2 / 27.2
- 05.362.70.28.0 / 29.0

SB 4345

- 05.362.70.12.0 / 13.0
- 05.362.70.24.0 / 25.0



The information shown on the **type plate** of your disc brake in order to be able to select the correct **repair kits and / or spare parts!**



Repair kit - Tappet parts with bellows

Contents per axle side.			Axle type	Brake	BPW code no.	Axle type	Brake	BPW code no.
			SKH.. SH..	SB 3745 SB 4345	Table Table	SKH.. SH.. SH..	SB 3745 SB 4309 SB 4345	Table Table Table
Item	Description	Quantity	BPW code no.	Dimension	BPW code no.	Dimension		
362	Thrust piece with bellows	2	02.0608.14.00		02.0608.15.00			
363	Seal	2	02.0611.06.00		02.0611.05.00			
364	Bush	2	02.0315.56.00	Ø 16 / 18 x 10	02.0315.56.00	Ø 16 / 18 x 10		
373	Renolit HLT 2	1	02.1040.40.00	5 g tube	02.1040.40.00	5 g tube		
BPW code no. for kit			09.801.02.63.0			09.801.06.32.0		

☞ If the disc brake is equipped with a black "inside seal" (item 363) then do not fit the set with the white "inside seal" under any circumstances!

Repair kit - Lining retention clip 09.801.02.76.0 and 09.801.02.66.0 2.10

09.801.02.76.0 suitable for brake calipers:

SB 3745

- 05.362.70.16.0 / 17.0
- 05.362.70.22.0 / 23.0
- 05.362.70.22.1 / 23.1
- 05.362.70.22.2 / 23.2
- 05.362.70.26.0 / 27.0
- 05.362.70.26.1 / 27.1
- 05.362.70.26.2 / 27.2
- 05.362.70.28.0 / 29.0
- 05.362.70.30.0 / 31.0
- 05.362.70.36.0 / 37.0
- 05.362.70.36.1 / 37.1
- 05.362.70.36.2 / 37.2
- 05.362.70.40.0 / 41.0
- 05.362.70.40.1 / 41.1
- 05.362.70.60.0 / 61.0
- 05.362.70.60.2 / 61.2
- 05.362.70.60.3 / 61.3
- 05.362.70.66.0 / 67.0

SB 4309

- 05.362.70.62.0 / 63.0
- 05.362.70.62.1 / 63.1
- 05.362.70.70.0 / 71.1

09.801.02.66.0 suitable for brake calipers:

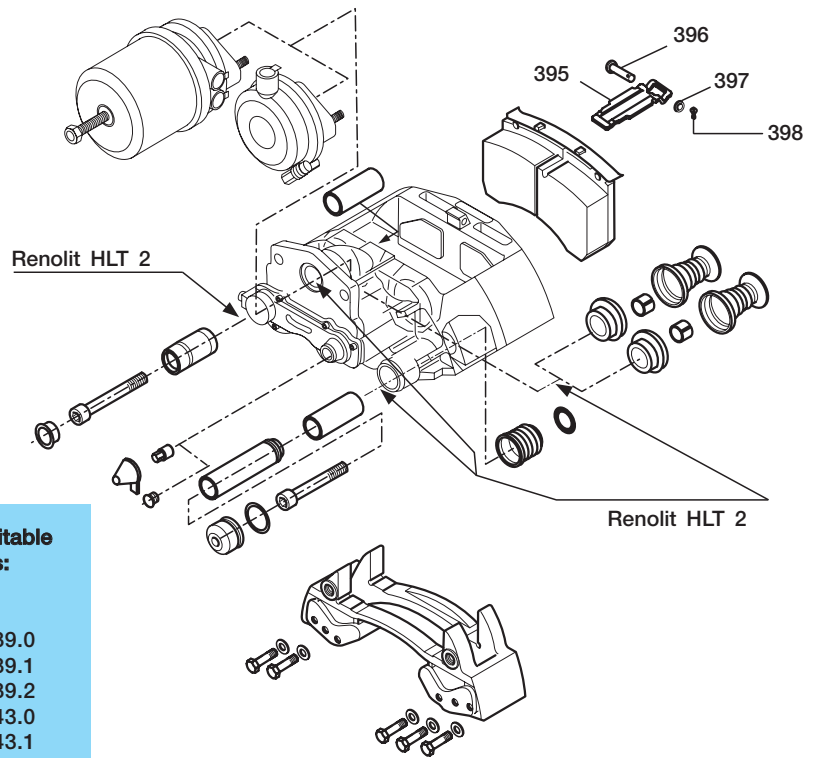
SB 4345

- 05.362.70.12.0 / 13.0
- 05.362.70.24.0 / 25.0
- 05.362.70.32.0 / 33.0
- 05.362.70.34.0 / 35.0

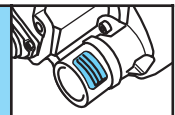
09.801.02.66.0 suitable for brake calipers:

SB 4345

- 05.362.70.38.0 / 39.0
- 05.362.70.38.1 / 39.1
- 05.362.70.38.2 / 39.2
- 05.362.70.42.0 / 43.0
- 05.362.70.42.1 / 43.1
- 05.362.70.42.2 / 43.2
- 05.362.70.42.3 / 43.3
- 05.362.70.64.0 / 65.0
- 05.362.70.64.2 / 65.2
- 05.362.70.64.3 / 65.3
- 05.362.70.68.0 / 69.0
- 05.362.70.68.1 / 69.1



The information shown on the **type plate** of your disc brake in order to be able to select the correct **repair kits and / or spare parts!**

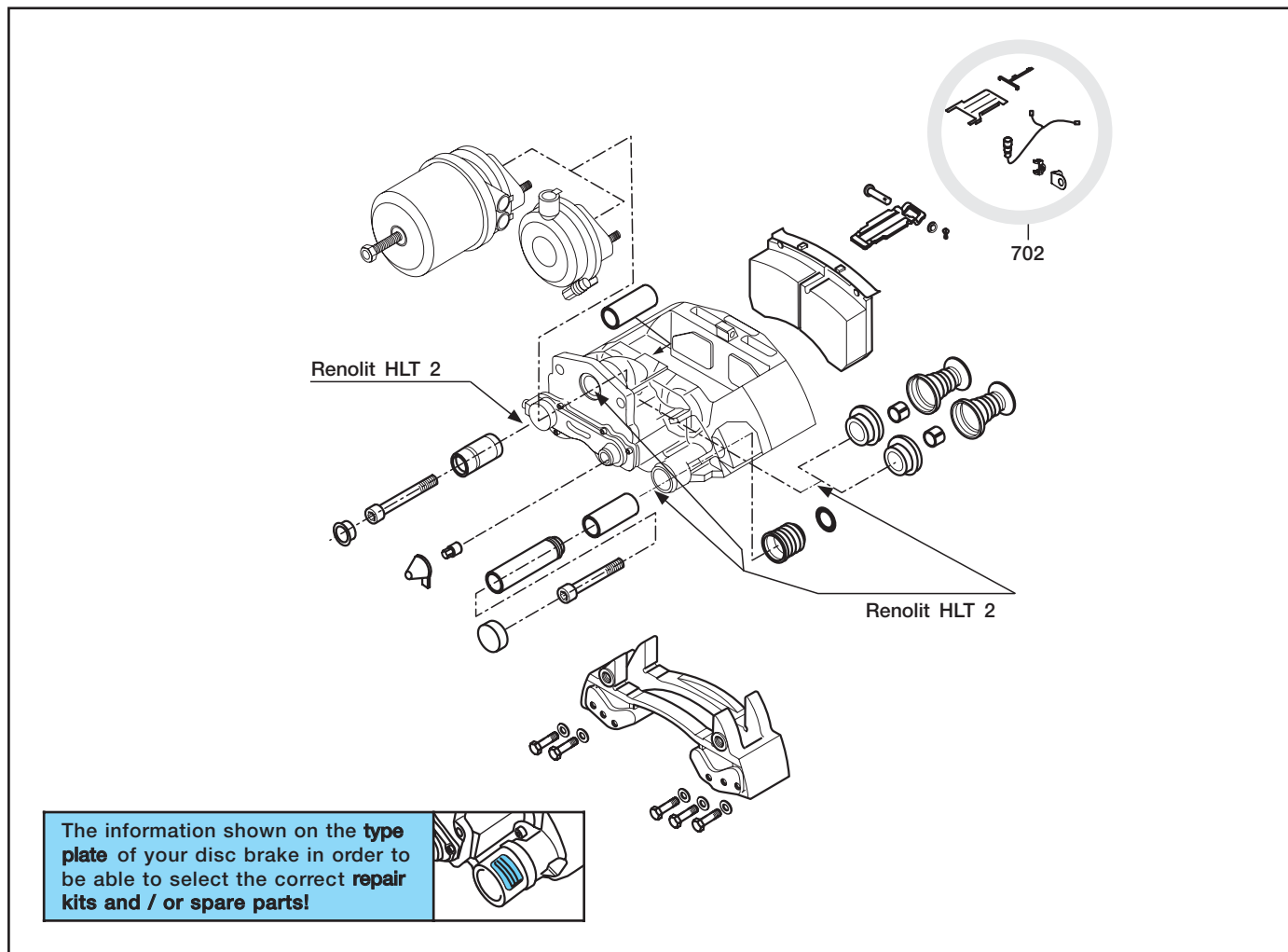


Repair kit - Lining retention clip

Contents per axle.			Axle type	Brake	BPW code no.	Axle type	Brake	BPW code no.
			SKH.. SH..	SB 3745 SB 4309	Table Table	SH..	SB 4345	Table
Item	Description	Quantity	BPW code no.	Dimension	BPW code no.	Dimension		
395	Brake pad retention clip	2	02.0305.22.00		02.0305.21.00			
396	Bolt	2	02.5829.22.31.0	Ø 10 x 48 / 52	02.5829.22.31.0	Ø 10 x 48 / 52		
397	Washer	2	02.5404.10.04	10.5 / DIN 433	02.5404.10.04	10.5 / DIN 433		
398	Lock	2	02.3301.31.00		02.3301.31.00			
BPW code no. for kit			09.801.02.76.0			09.801.02.66.0		

BPW repair kits for axles of 6.5 t and above

2.11 Repair kit - Complete wear sensor kit 05.801.51.70.0

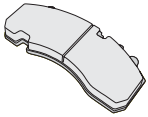


Repair kit - Complete wear sensor kit					
Contents for one axle.			Axle type	Brake	Year of manufact.
			SH..	SB 4309	all
			SH..	SB 4345	all
Item	Description	Quantity	BPW code no.	Dimension	
702	Support	2	03.189.15.03.0		
	Support for ABS connector	2	02.1421.11.00		
	Wear sensor kit (Wear inductor cable, cable duct, protective plate)	1	05.801.51.74.0		
BPW code no. for kit			05.801.51.70.0		

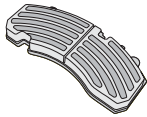
The pads must be prepared for the use of the wear sensor (standard from the mid of 2003)!

Repair kit - Brake pads SB 3745 09.801.06.43.0 and ..07.09.0 2.12

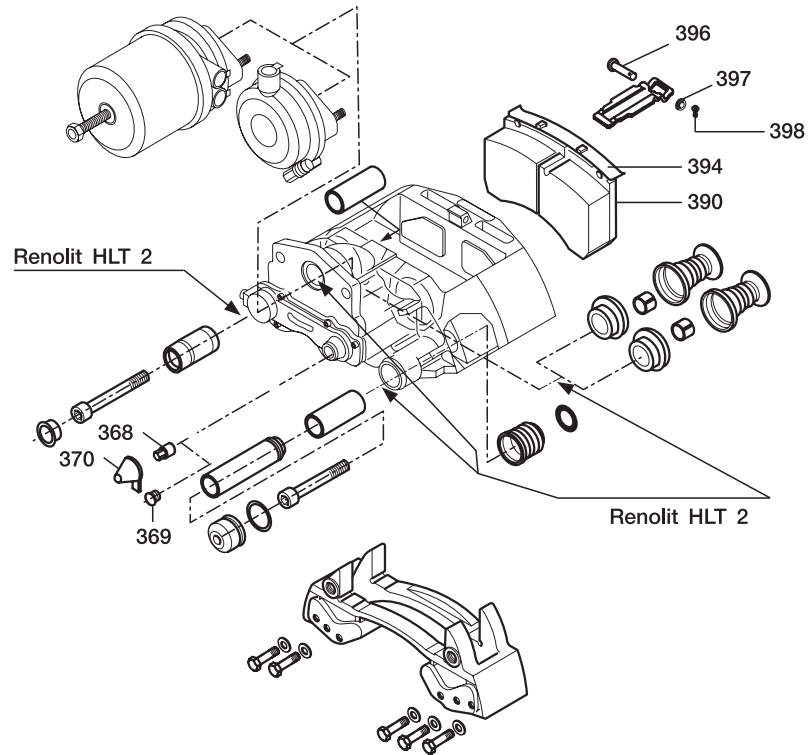
Repair kits 09.801.06.43.0 (Textar T 3030) and 09.801.07.09.0 (Jurid 539) are suitable for all brakes in the SB 3745 series!



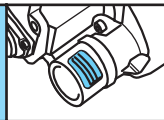
Textar T 3030



Jurid 539



The information shown on the **type plate** of your disc brake in order to be able to select the correct **repair kits and / or spare parts!**



Repair kit - Brake pads SB 3745

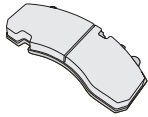
Contents for one axle.		Axle type	Brake	Year of manufact.	Axle type	Brake	Year of manufact.
		SKH..	SB 3745	all	SKH..	SB 3745	all
Item	Description	Quantity	BPW code no.	Dimension	BPW code no.	Dimension	
368	Adjuster adapter	2	02.2400.11.00		02.2400.11.00		
369	Cap	2	02.1827.04.00		02.1827.04.00		
370	Cap	2	02.1827.08.00	Ø 38	02.1827.08.00	Ø 38	
370	Cap	2	02.1827.09.00	Ø 35	02.1827.09.00	Ø 35	
390	Pad	4	05.092.90.05.0	(Textar T 3030)	05.092.90.10.0	(Jurid 539)	
394	Clamping spring for brake lining	4	02.3319.01.00		02.3319.01.00		
396	Bolt	2	02.5829.22.31	Ø 10 x 48 / 52	02.5829.22.31	Ø 10 x 48 / 52	
397	Washer	2	02.5404.10.04	10.5 / DIN 433	02.5404.10.04	10.5 / DIN 433	
398	Lock	2	02.3301.31.00		02.3301.31.00		
BPW code no. for kit			09.801.06.43.0		09.801.07.09.0		

The brake pads must only be fitted and changed as a complete axle set!

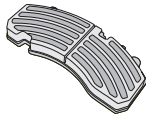
BPW repair kits for axles of 6.5 t and above

2.13 Repair kit - Brake pads SB 4309 09.801.06.44.0 and ..06.95.0

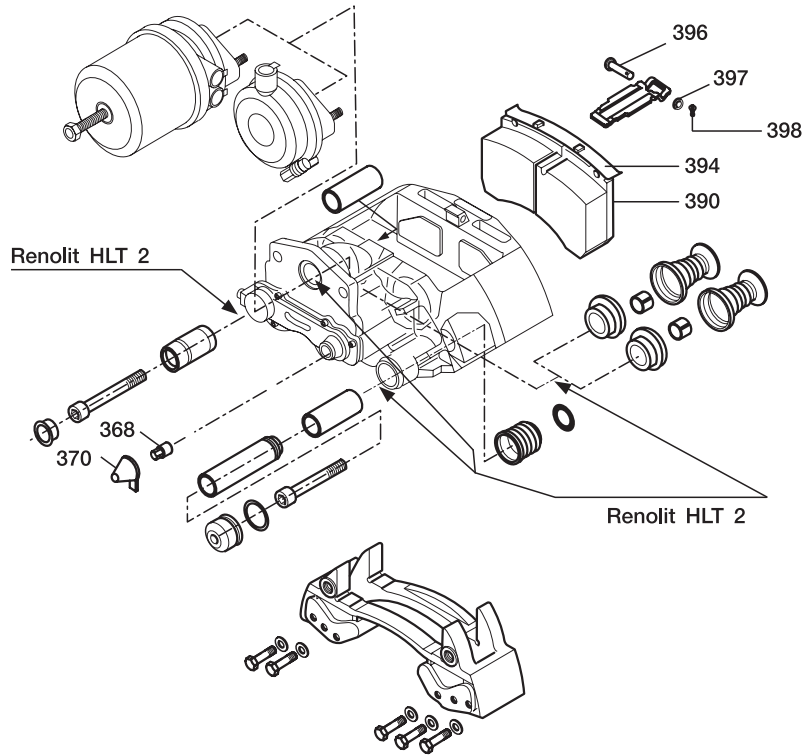
Repair kits 09.801.06.44.0 (Textar T 3030) and 09.801.06.95.0 (Jurid 539) are suitable for all brakes in the SB 4309 series!



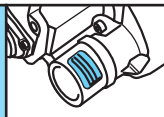
Textar T 3030



Jurid 539



The information shown on the **type plate** of your disc brake in order to be able to select the correct **repair kits and / or spare parts!**



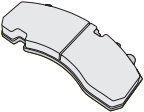
Repair kit - Brake pads SB 4309

Contents for one axle.			Axle type	Brake	Year of manufact.	Axle type	Brake	Year of manufact.
			SH..	SB 4309	all	SH..	SB 4309	all
Item	Description	Quantity	BPW code no.	Dimension		BPW code no.	Dimension	
368	Adjuster adapter	2	02.2400.11.00			02.2400.11.00		
370	Cap	2	02.1827.09.00	Ø 35		02.1827.09.00	Ø 35	
390	Pad	4	05.092.90.06.0	(Textar T 3030)		05.092.90.08.0	(Jurid 539)	
394	Clamping spring for brake lining	4	02.3319.01.00			02.3319.01.00		
396	Bolt	2	02.5829.22.31	Ø 10 x 48 / 52		02.5829.22.31	Ø 10 x 48 / 52	
397	Washer	2	02.5404.10.04	10.5 / DIN 433		02.5404.10.04	10.5 / DIN 433	
398	Lock	2	02.3301.31.00			02.3301.31.00		
BPW code no. for kit			09.801.06.44.0			09.801.06.95.0		

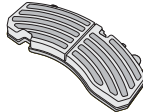
The brake pads must only be fitted and changed as a complete axle set!

Repair kits - Brake pads SB 4345 09.801.06.45.0 and ..06.96.0 2.14

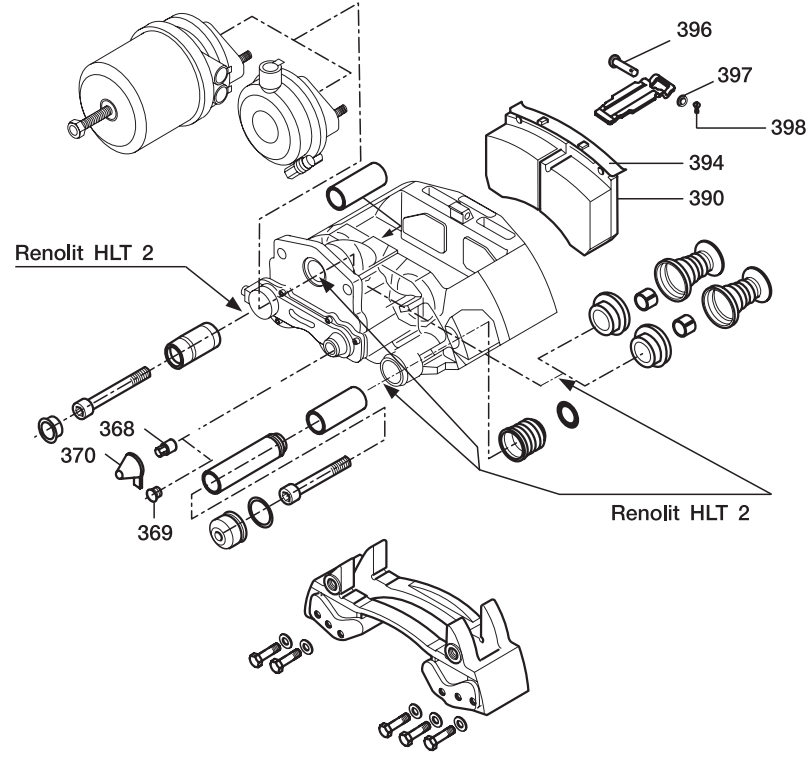
Repair kits 09.801.06.45.0 (Textar T 3030) and 09.801.06.96.0 (Jurid 539) are suitable for all brakes in the SB 4345 series!




Textar T 3030



Jurid 539



The information shown on the **type plate** of your disc brake in order to be able to select the correct **repair kits and / or spare parts!**



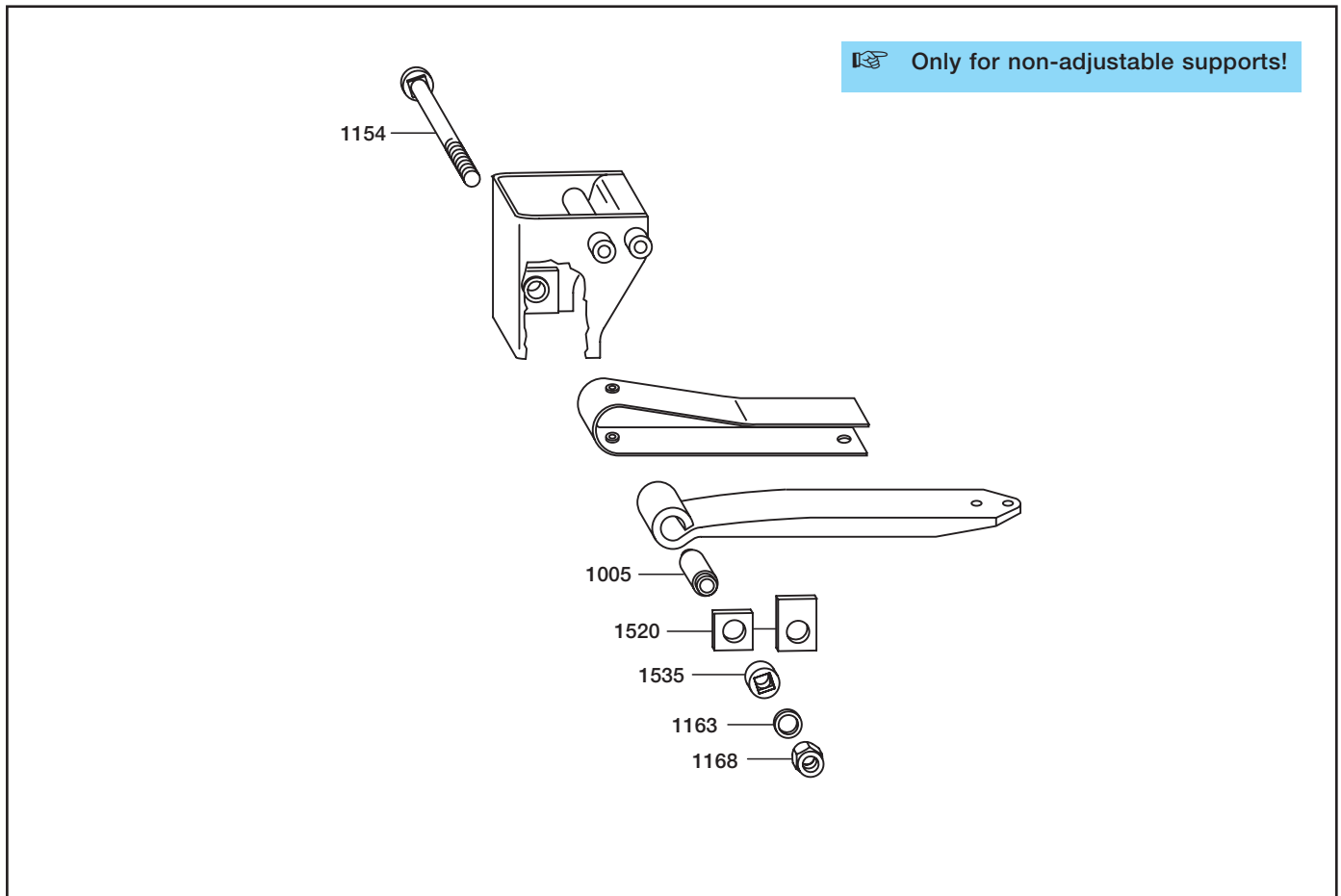
Repair kits - Brake pads SB 4345

Repair kits - Brake pads SB 4345						
Contents for one axle.	Axle type	Brake	Year of manufact.	Axle type	Brake	Year of manufact.
	SH..	SB 4345	all	SH..	SB 4345	all
Item	Description	Quantity	BPW code no.	Dimension	BPW code no.	Dimension
368	Adjuster adapter	2	02.2400.11.00		02.2400.11.00	
369	Cap	2	02.1827.04.00		02.1827.04.00	
370	Cap	2	02.1827.08.00	Ø 38	02.1827.08.00	Ø 38
370	Cap	2	02.1827.09.00	Ø 35	02.1827.09.00	Ø 35
390	Pad	4	05.092.90.07.0	(Textar T 3030)	05.092.90.09.0	(Jurid 539)
394	Clamping spring for brake lining	4	02.3319.01.00		02.3319.01.00	
396	Bolt	2	02.5829.22.31	Ø 10 x 48 / 52	02.5829.22.31	Ø 10 x 48 / 52
397	Washer	2	02.5404.10.04	10.5 / DIN 433	02.5404.10.04	10.5 / DIN 433
398	Lock	2	02.3301.31.00		02.3301.31.00	
BPW code no. for kit			09.801.06.45.0		09.801.06.96.0	

The brake pads must only be fitted and changed as a complete axle set!

BPW repair kits for axles of 6.5 t and above

3.1 Repair kit - Spring bolt assembly 09.801.06.28.0 and 09.801.06.29.0

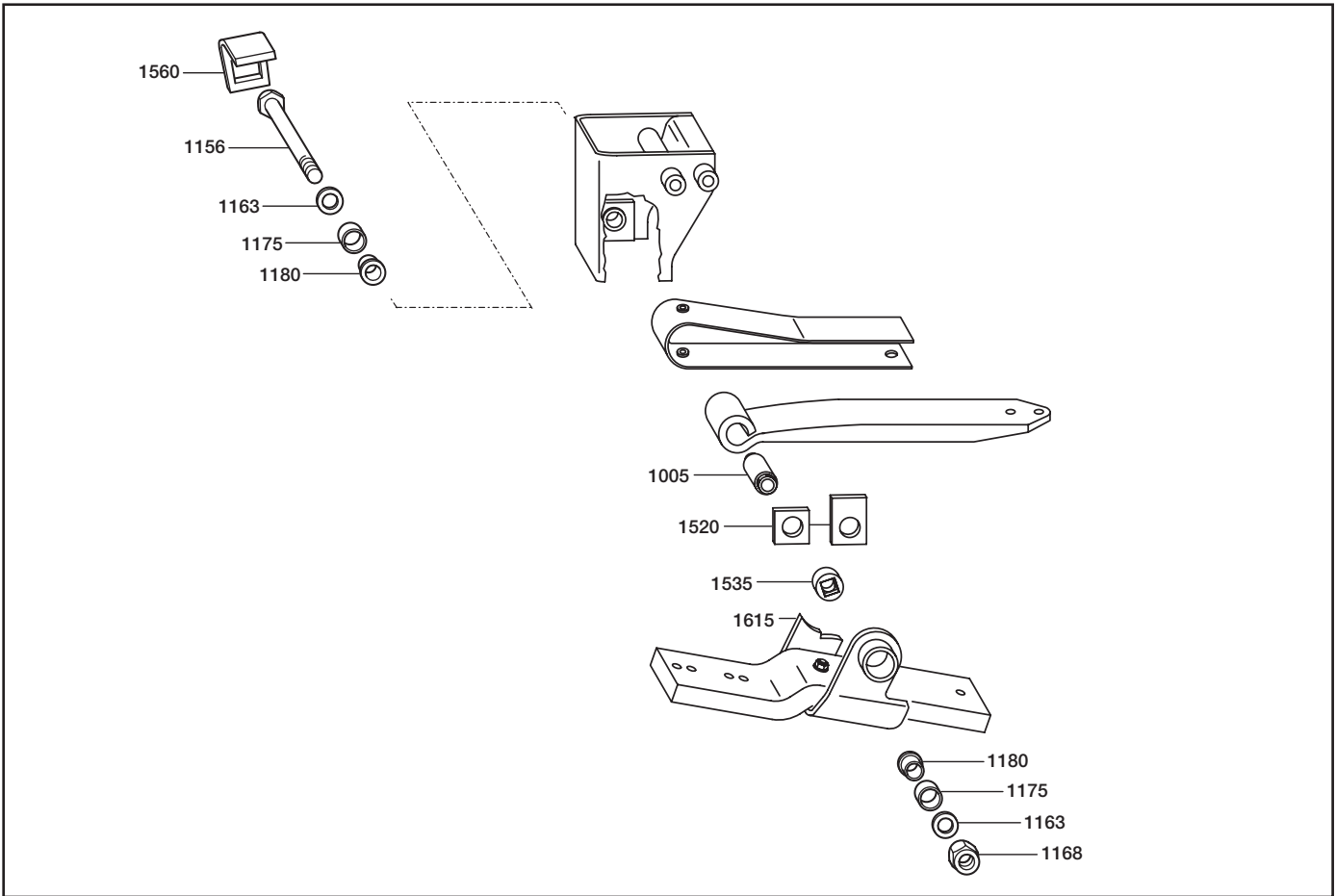


Repair kit - Spring bolt assembly (rigid)

Contents per axle side.			Version		Version	
			Steel hanger brackets / channel cross-members / frames, trailing arms 100 mm wide, steel-rubber-steel bush		Steel hanger brackets / channel cross-members / frames, trailing arms 100 mm wide, steel-rubber bush	
Item	Description	Quantity	BPW code no.	Dimension	BPW code no.	Dimension
1005	Bush	1	02.0316.90.00	Ø 30 / 57 x 102	02.0316.06.00	Ø 30 / 60 x 102
1154	Screw	1	03.341.05.03.0	M 30 x 200 / 40	03.341.05.03.0	M 30 x 200 / 40
1163	Disc	1	03.320.32.38.0	Ø 31 / 57 x 5	03.320.32.38.0	Ø 31 / 57 x 5
1168	Lock nut	1	03.260.15.01.0	M 30 / SW 46	03.260.15.01.0	M 30 / SW 46
1520	Plate	2	03.281.15.03.0	105 x 105 x 4.5	03.281.15.03.0	105 x 105 x 4.5
1520	Plate	2	03.281.35.16.0	140 x 101.5 x 4.5	03.281.35.16.0	140 x 101.5 x 4.5
1535	Bush	2	03.113.01.34.0	Ø 30 / 51 / 56 x 29	03.113.01.34.0	Ø 30 / 51 / 56 x 29
BPW code no. for kit			09.801.06.28.0		09.801.06.29.0	

Repair kit - Spring bolt assembly 09.801.06.77.0

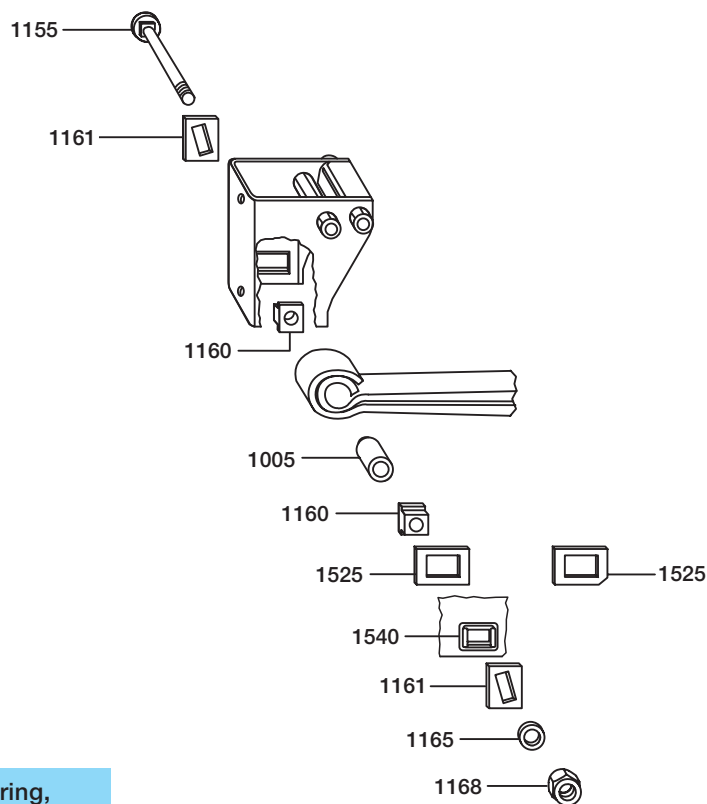
3.2



Repair kit - Spring bolt assembly (rigid, lateral axle lift device)				
Contents for one axle lift device.			Version	
			Steel hanger brackets / channel cross- members / frames, trailing arms 100 mm wide, steel-rubber-steel bush	
Item	Description	Quantity	BPW code no.	Dimension
1005	Bush	1	02.0316.90.00	Ø 30 / 57 x 102
1156	Screw	1	03.340.15.37.0	M 30 x 265 / 50
1163	Disc	2	02.5401.31.01	Ø 30
1168	Lock nut	1	03.260.15.01.0	M 30 / SW 46
1175	Bush	2	03.113.94.10.0	Ø 50
1180	Bush	2	03.113.01.29.0	Ø 45.5
1520	Plate	2	03.281.15.03.0	105 x 105 x 4.5
		2	03.281.35.16.0	140 x 101.5 x 4.5
1535	Bush	2	03.113.01.34.0	Ø 30 / 51 / 56 x 29
1560	Anti-rotation lock	1	03.161.35.07.0	
1615	Holder	1	05.189.13.19.0	
BPW code no. for kit			09.801.06.77.0	

BPW repair kits for axles of 6.5 t and above

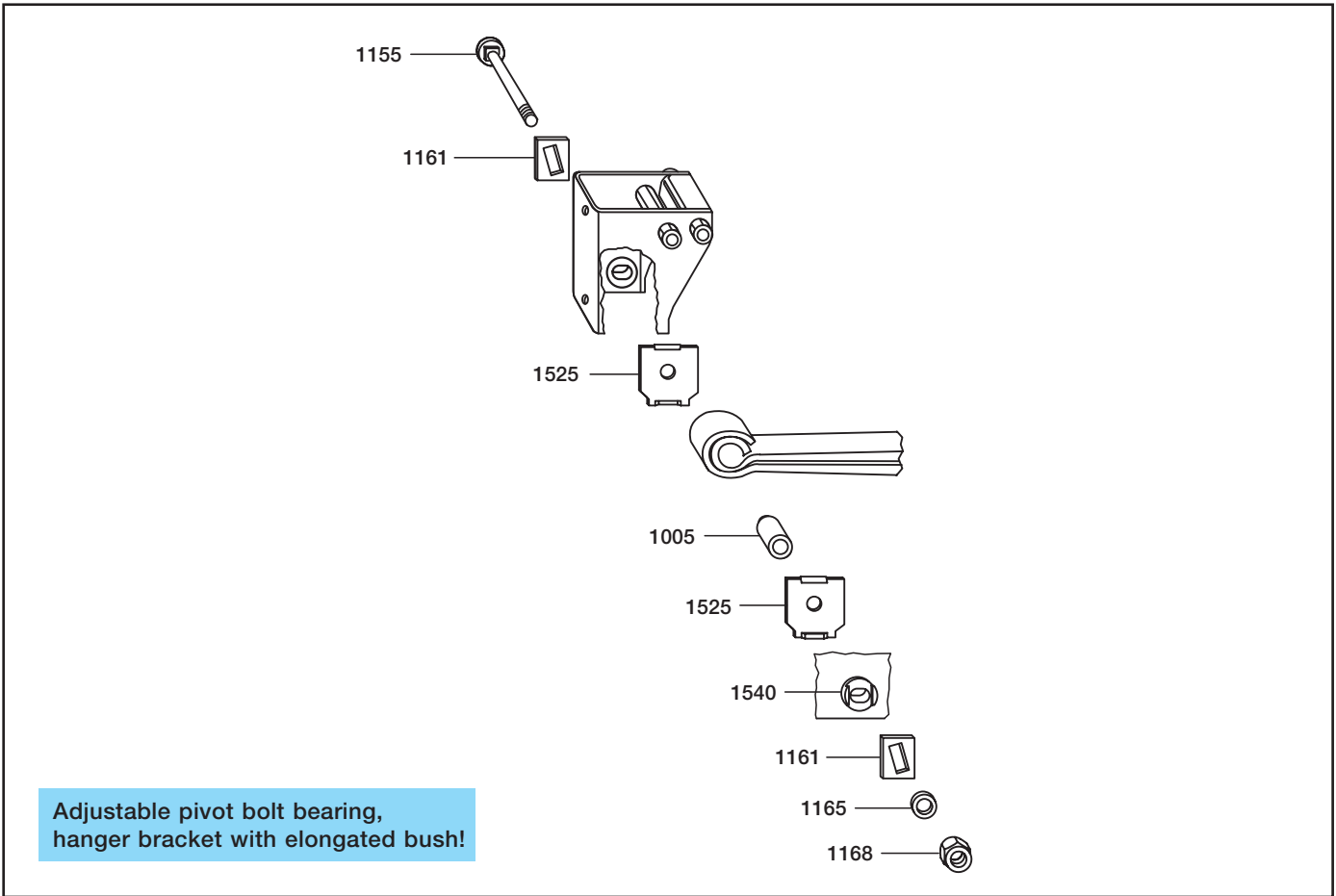
3.3 Repair kit - Spring bolt assembly 09.801.06.87.0



Adjustable pivot bolt bearing,
hanger bracket with shaped part!

Repair kit - Spring bolt assembly (adjustable)

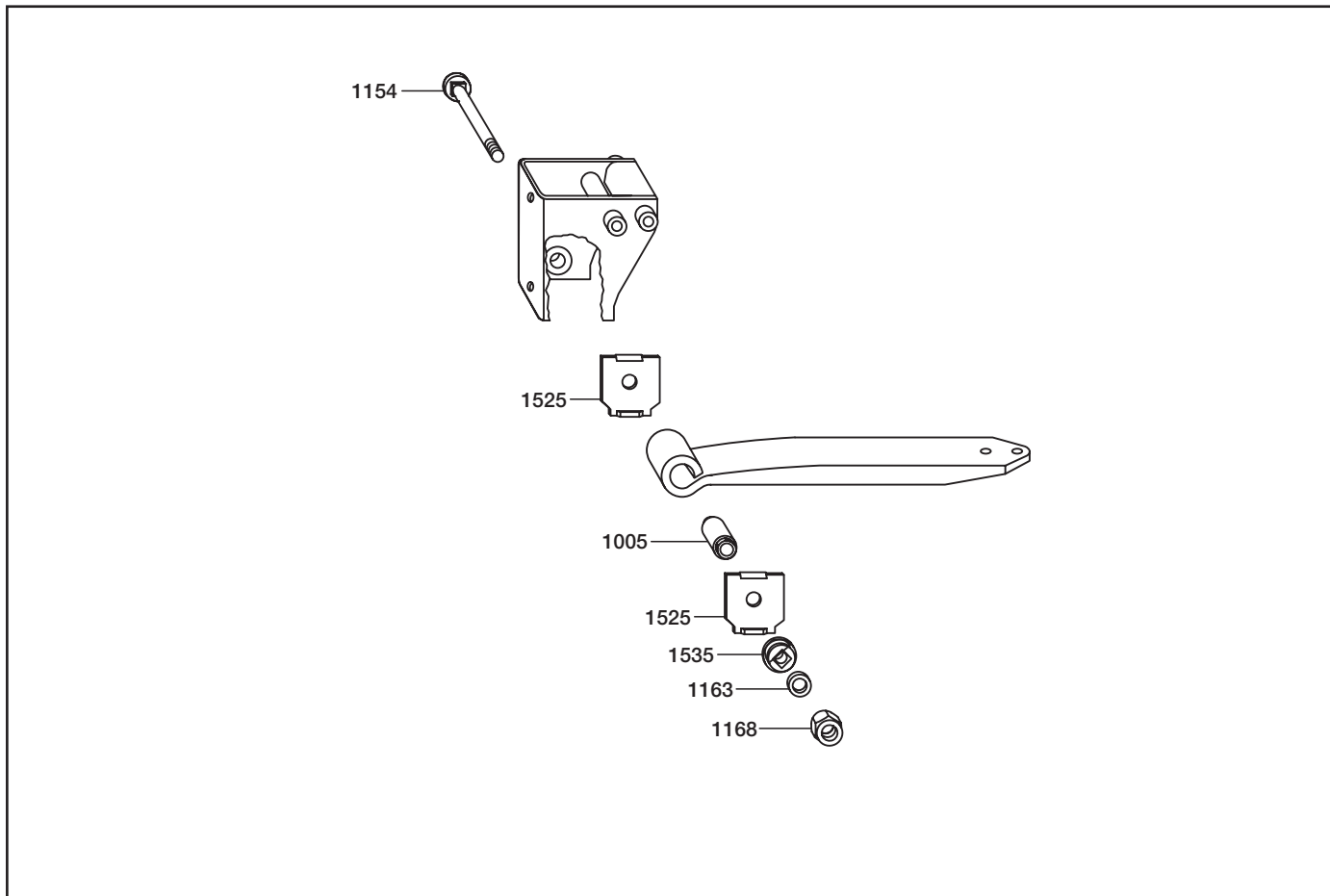
Contents per axle side.			Version	
			Steel hanger brackets / channel cross-members / frames, trailing arms 100 mm wide, steel-rubber-steel bush	
Item	Description	Quantity	BPW code no.	Dimension
1005	Bush	1	02.0316.90.00	Ø 30 / 57 x 102
1155	Screw	1	03.341.05.04.0	M 30 x 200 / 40
1160	Sliding piece	2	03.181.20.08.0	Ø 30 / 50 x 58 x 20
1161	Plate	2	03.281.54.14.0	104 x 72 x 8
1165	Disc	1	03.320.34.53.0	Ø 31 / 76 x 6
1168	Lock nut	1	03.260.15.01.0	M 30 / SW 46
1525	Plate	2	03.281.25.04.0	140 x 101 x 4.5
1525	Plate	2	03.281.25.06.0	130 x 101 x 4.5
1540	Shaped part	2	03.001.14.86.0	92 x 62 x 29
BPW code no. for kit			09.801.06.87.0	



Repair kit - Spring bolt assembly (adjustable)				
Contents per axle side.			Version	
			Steel hanger brackets / channel cross-members / frames, trailing arms 100 mm wide, steel-rubber-steel bush, loose wear discs	
Item	Description	Quantity	BPW code no.	Dimension
1005	Bush	1	02.0316.90.00	Ø 30 / 57 x 102
1155	Screw	1	03.341.05.04.0	M 30 x 200 / 40
1161	Plate	2	03.281.54.18.0	104 x 57.5 x 8
1165	Disc	1	03.320.34.53.0	Ø 31 / 76 x 6
1168	Lock nut	1	03.260.15.01.0	M 30 / SW 46
1525	Shaped plate	2	03.164.35.01.0	Ø 30.2 / 120 x 125 x 5
1540	Bush	2	03.113.23.01.0	Ø 73.6 x 23
BPW code no. for kit			09.801.06.92.0	

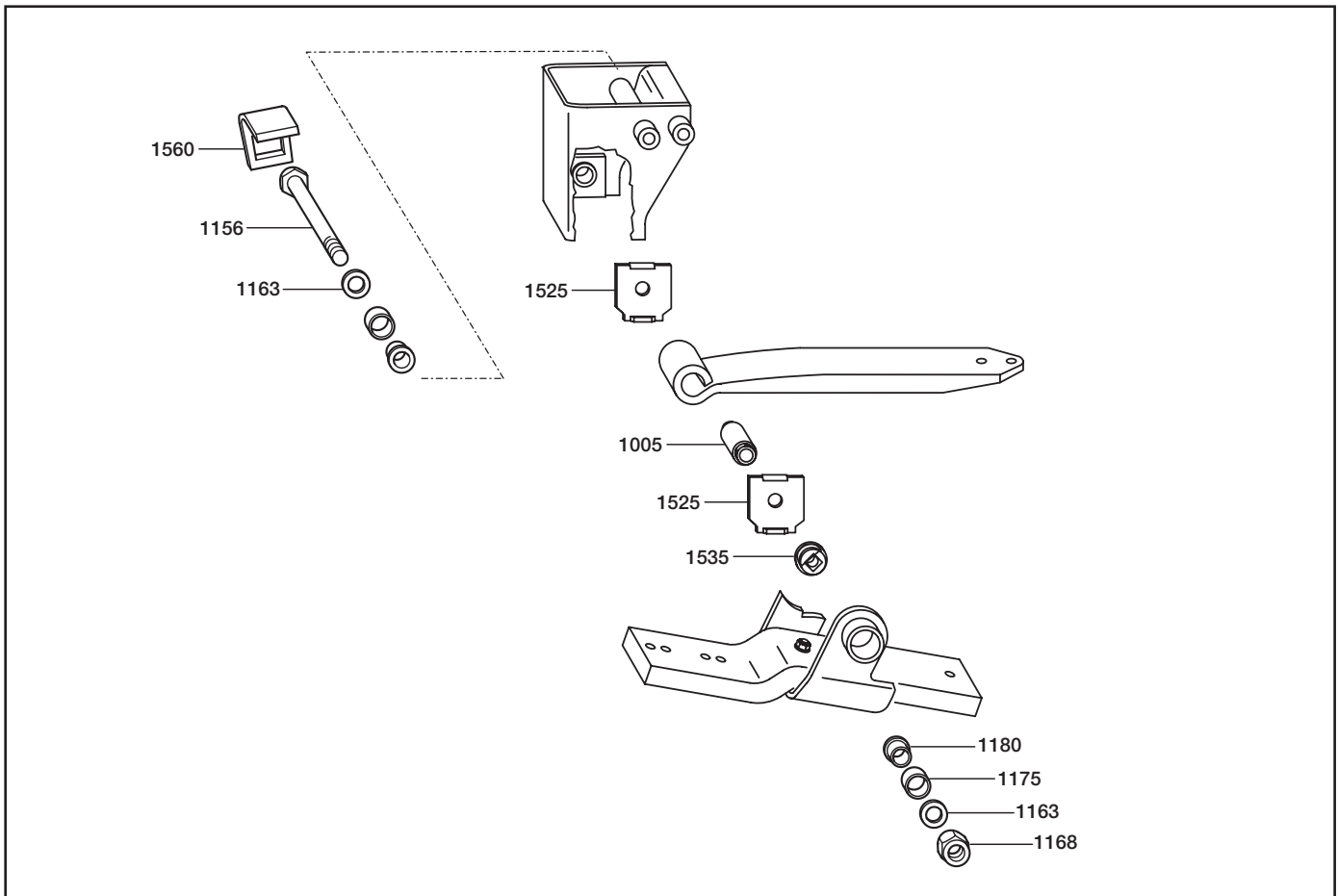
BPW repair kits for axles of 6.5 t and above

3.5 Repair kit - Spring bolt assembly 09.801.07.02.0



Repair kit - Spring bolt assembly (rigid)

Contents per axle side.			Version	
			Steel hanger brackets / channel cross-members / frames, trailing arms 100 mm wide, steel-rubber-steel bush, loose wear discs	
Item	Description	Quantity	BPW code no.	Dimension
1005	Bush	1	02.0316.90.00	Ø 30 / 57 x 102
1154	Screw	1	03.341.05.03.0	M 30 x 200 / 40
1163	Disc	1	03.320.32.38.0	Ø 31 / 57 x 5
1168	Lock nut	1	03.260.15.01.0	M 30 / SW 46
1525	Plate	2	03.164.35.01.0	Ø 30.2 / 120 x 125 x 5
1535	Bush	2	03.113.01.46.0	Ø 73.6
BPW code no. for kit			09.801.07.02.0	



**Repair kit - Spring bolt assembly
(rigid, lateral axle lift device)**

Contents for one axle lift device.

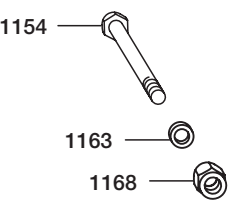
Version

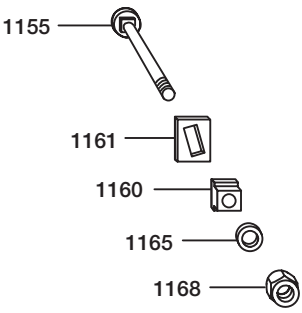
Steel hanger brackets / channel cross-members / frames, trailing arms 100 mm wide, steel-rubber-steel bush, loose wear discs

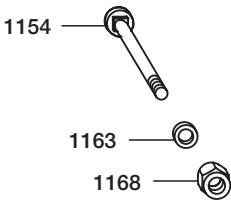
Item	Description	Quantity	BPW code no.	Dimension
1005	Bush	1	02.0316.90.00	Ø 30 / 57 x 102
1156	Screw	1	03.340.15.37.0	M 30 x 265 / 50
1163	Disc	2	02.5401.31.01	Ø 30
1168	Lock nut	1	03.260.15.01.0	M 30 / SW 46
1175	Bush	2	03.113.94.10.0	Ø 50
1180	Bush	2	03.113.01.29.0	Ø 45.5
1525	Plate	2	03.164.35.01.0	Ø 30.2 / 120 x 125 x 5
1535	Bush	2	03.113.01.46.0	Ø 73.6
1560	Anti-rotation lock	1	03.161.35.07.0	
BPW code no. for kit			09.801.07.03.0	

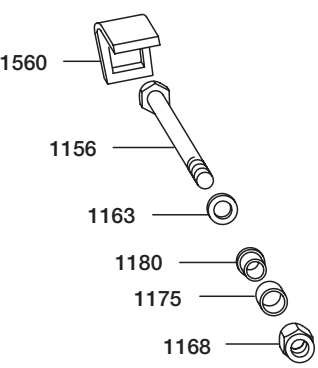
BPW repair kits for axles of 6.5 t and above

3.7 Repair kit - Spring bolt assembly

		Spring bolt assembly 05.857.00.03				
		Item	Description	BPW code no.	Dimension	Quantity
Application: Rigid pivot bolt bearing, steel hanger brackets, channel crossmembers, trailing arms 100 mm wide, anti-rotation lock with slotted bush.		1154	Hexagon screw (spring bolt)	03.340.15.27.0	M 30 x 190 / 45 (190 = Length without head)	1
		1163	Disc	03.320.31.27.0	Ø 31 / 46 x 6	1
		1168	Lock nut	03.260.15.01.0	M 30 / SW 46	1

		Spring bolt assembly 05.857.00.09				
		Item	Description	BPW code no.	Dimension	Quantity
Application: Adjustable pivot bolt bearing, steel hanger brackets, channel crossmembers, trailing arms 100 mm wide, steel hanger bracket with shaped part.		1155	Hexagon screw (spring bolt), Head dia. = 62	03.341.05.04.0	M 30 x 200 / 40 (200 = Length without head)	1
		1160	Sliding piece	03.181.20.08.0		2
		1161	Plate (Connecting link disc)	03.281.54.14.0	104 x 72 x 8	2
		1165	Disc	03.320.34.53.0	Ø 31 / 76 x 6	1
		1168	Lock nut	03.260.15.01.0	M 30 / SW 46	1

		Spring bolt assembly 05.857.00.12				
		Item	Description	BPW code no.	Dimension	Quantity
Application: Rigid pivot bolt bearing, steel hanger brackets, channel crossmembers, trailing arms 100 mm wide, anti-rotation lock with internal square profile.		1154	Hexagon screw (spring bolt), Head dia. = 52	03.341.05.03.0	M 30 x 200 / 40 (200 = Length without head)	1
		1163	Disc	03.320.32.38.0	Ø 31 / 57 x 5	1
		1168	Lock nut	03.260.15.01.0	M 30 / SW 46	1

		Spring bolt assembly 05.857.00.13				
		Item	Description	BPW code no.	Dimension	Quantity
Application: Rigid pivot bolt bearing, steel hanger brackets, channel crossmembers, trailing arms 100 mm wide, anti-rotation lock with internal square profile, sidewise mounted lift.		1156	Hexagon screw (spring bolt)	03.340.15.37.0	M 30 x 265 / 50 (265 = Length without head)	1
		1163	Disc	02.5401.31.01	Ø 30	2
		1168	Lock nut	03.260.15.01.0	M 30 / SW 46	1
		1175	Bush	03.113.94.10.0	Ø 50	2
		1180	Bush	03.113.01.29.0	Ø 45.5	2
		1560	Shaped plate	03.161.35.07.0		1

Repair kit - Spring bolt assembly

3.7

	Spring bolt assembly 05.857.00.15.0			
	Application: Adjustable pivot bolt bearing, steel hanger brackets, channel crossmembers, trailing arms 100 mm wide, steel hanger bracket with elongated bush, loose wear discs.			
	Item	Description	BPW code no.	Quantity
	1155	Hexagon screw (spring bolt), Head dia. = 62	03.341.05.04.0	1
	1161	Plate (Connecting link disc)	03.281.54.18.0	2
	1165	Disc	03.320.34.53.0	1
	1168	Lock nut	03.260.15.01.0	1
	1525	Shaped plate	03.164.35.01.0	2

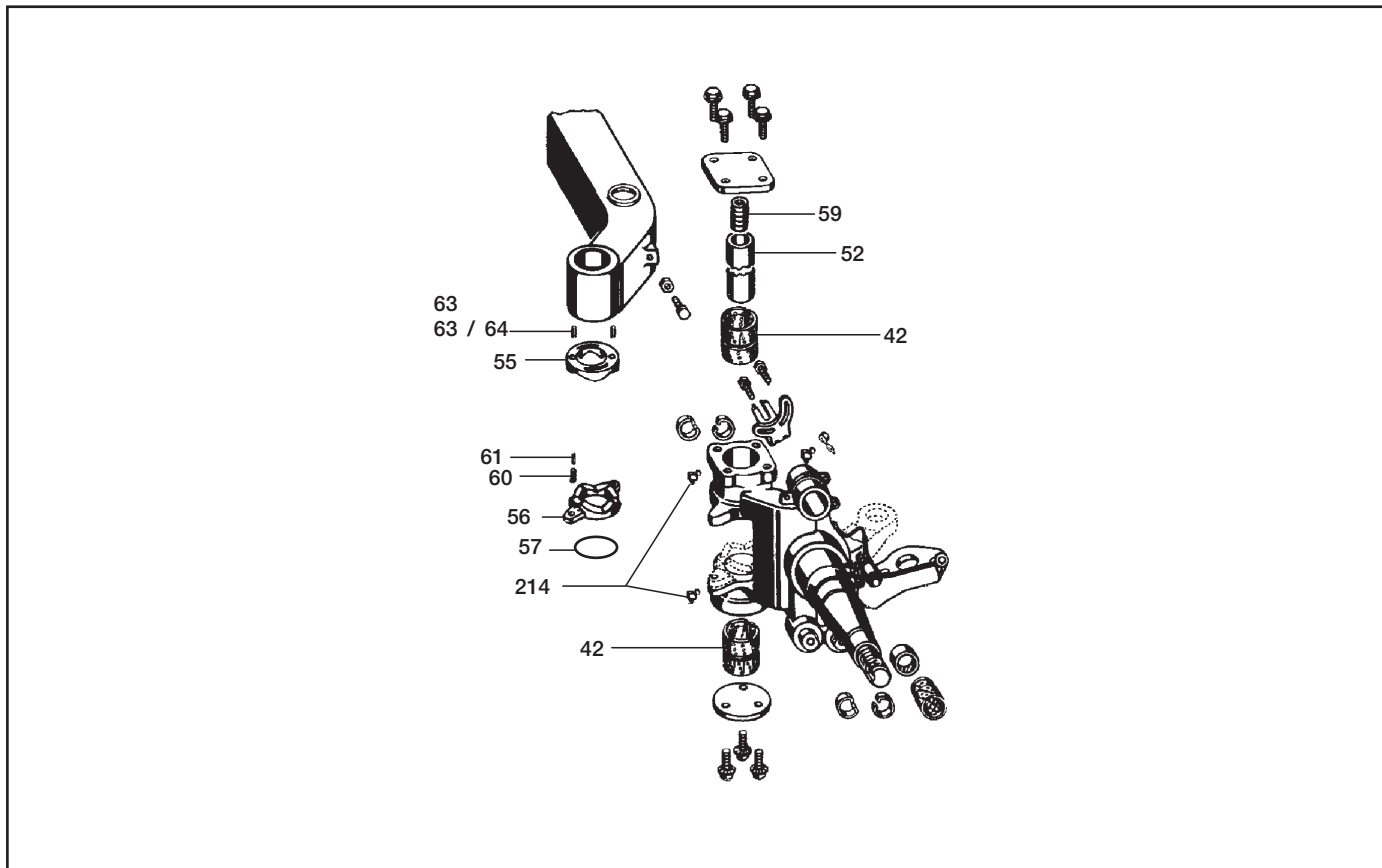
	Spring bolt assembly 05.857.00.18.0			
	Application: Adjustable pivot bolt bearing, steel hanger brackets, trailing arms 70 mm wide, steel hanger bracket with elongated bush, loose wear discs.			
	Item	Description	BPW code no.	Quantity
	1155	Hexagon screw (spring bolt), Head dia. = 62	03.341.05.05.0	1
	1161	Plate (Connecting link disc)	03.281.54.18.0	2
	1165	Disc	03.320.34.53.0	1
	1168	Lock nut	03.260.15.01.0	1
	1525	Shaped plate	03.164.35.02.0	2

	Spring bolt assembly 05.857.00.19.0			
	Application: Adjustable pivot bolt bearing, channel crossmembers, trailing arms 70 mm wide, steel hanger bracket with elongated bush, loose wear discs.			
	Item	Description	BPW code no.	Quantity
	1155	Hexagon screw (spring bolt), Head dia. = 62	03.341.05.05.0	1
	1161	Plate (Connecting link disc)	03.281.54.18.0	2
	1165	Disc	03.320.34.53.0	1
	1168	Lock nut	03.260.15.01.0	1
	1525	Shaped plate	03.164.35.01.0	2

	Spring bolt assembly 05.857.00.24.0			
	Application: Rigid pivot bolt bearing, steel hanger brackets, channel crossmembers, trailing arms 100 mm wide, anti-rotation lock with internal square profile, loose wear discs.			
	Item	Description	BPW code no.	Quantity
	1154	hexagon screw (spring bolt), head dia. = 52	03.341.05.03.0	1
	1163	Disc	03.320.32.38.0	1
	1168	Lock nut	03.260.15.01.0	1
	1525	Shaped plate	03.164.35.01.0	2

BPW repair kits for axles of 6.5 t and above

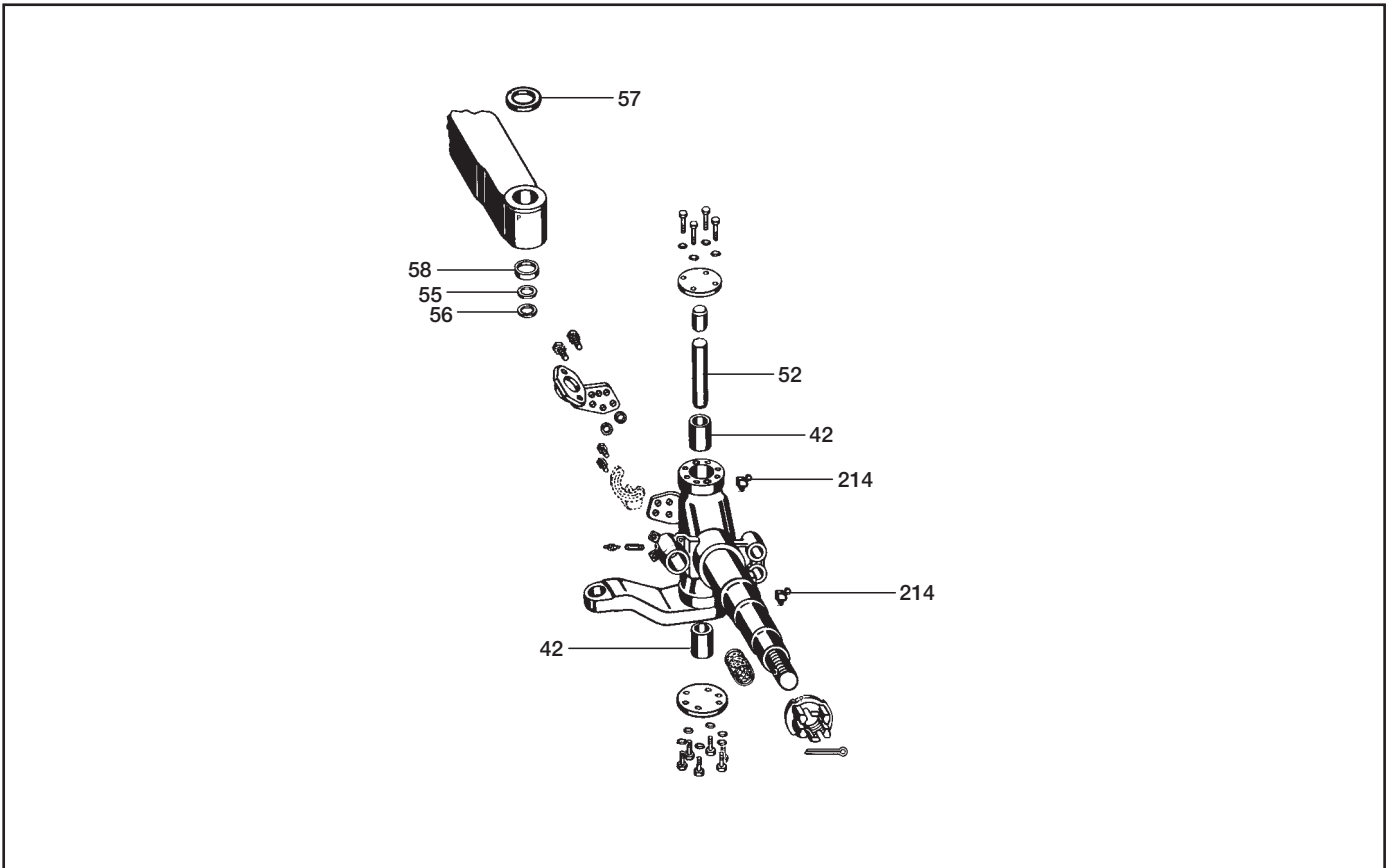
4.1 Repair kit - Steering pivot bearing 09.801.02.35.0



Repair kit - Steering pivot bearing					
Contents per axle.			Axle type	Brake	Year of manufact.
			..LL up to 12 t	all	from 1990
Item	Description	Quantity	BPW code no.	Dimension	
42	Bush	4	03.112.76.08.0	Ø 60 / 65 x 90	
52	Steering pivot	2	03.240.08.04.0	Ø 39 / 60 x 331	
55	Thrust washer	2	03.128.05.07.0	Ø 64 / 99 x 18.5	
56	Thrust washer	2	03.128.05.06.0	Ø 64 / 99 x 18.5	
57	Sealing ring	2	02.5681.03.00	Ø 70 / 62 / 59 x 5	
59	Pressure spring	2	03.125.07.10.1	Ø 30 / 38 x 86 / Ø 8	
60	Adapter sleeve	4	02.6006.95.90	Ø 12 x 28	
61	Adapter sleeve	4	02.6016.01.90	Ø 7 x 28	
63	Adapter sleeve	4	02.6006.23.90	Ø 12 x 16	
63	Adapter sleeve	4	02.6016.00.90	Ø 7 x 18	
64	Adapter sleeve	4	02.6016.11.90	Ø 12 x 12	
214	Grease nipple	4	02.6802.06.50	BM 10 x 1	
BPW code no. for kit			09.801.02.35.0		

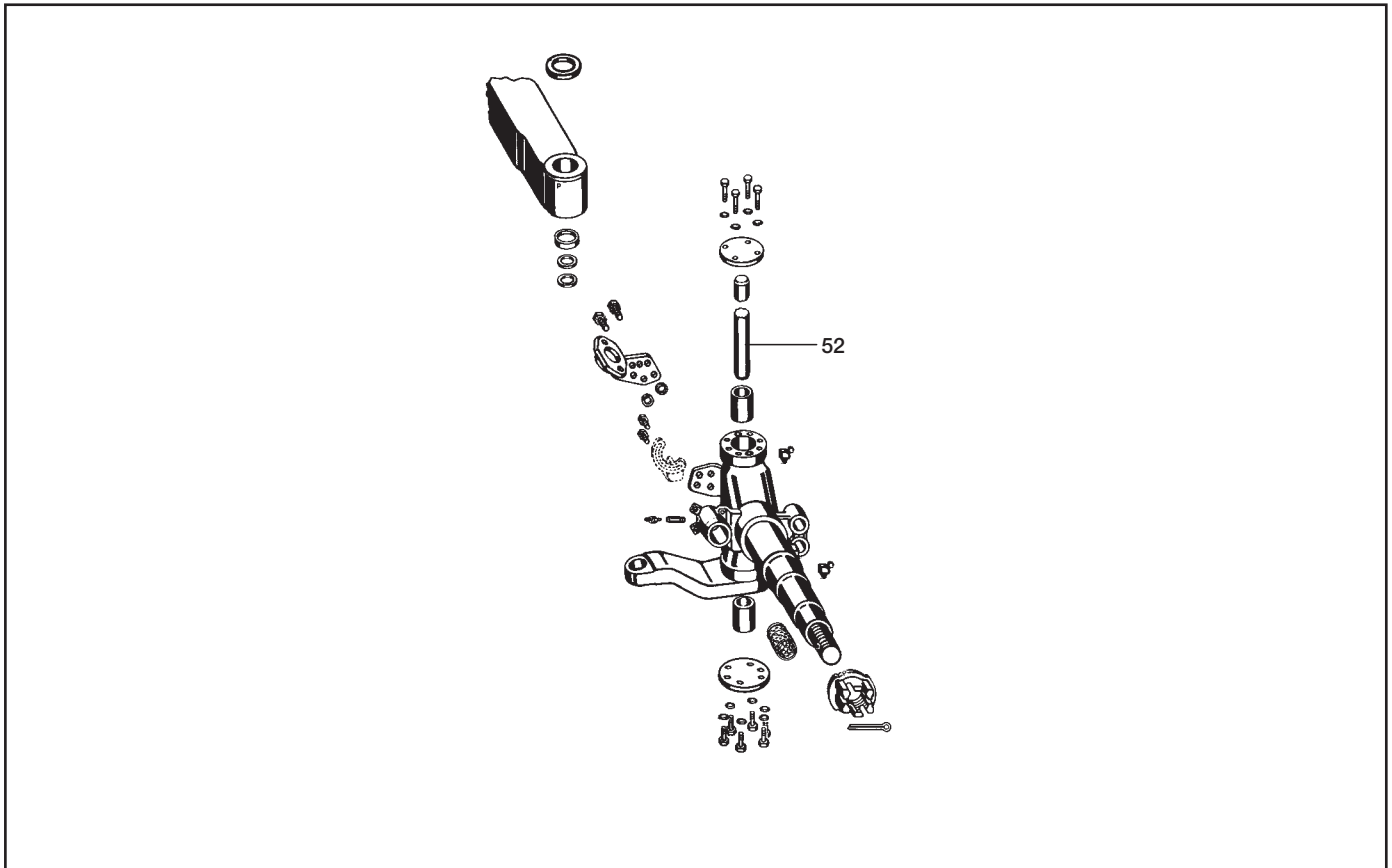
Repair kit - Steering pivot bearing 09.801.02.36.0

4.2



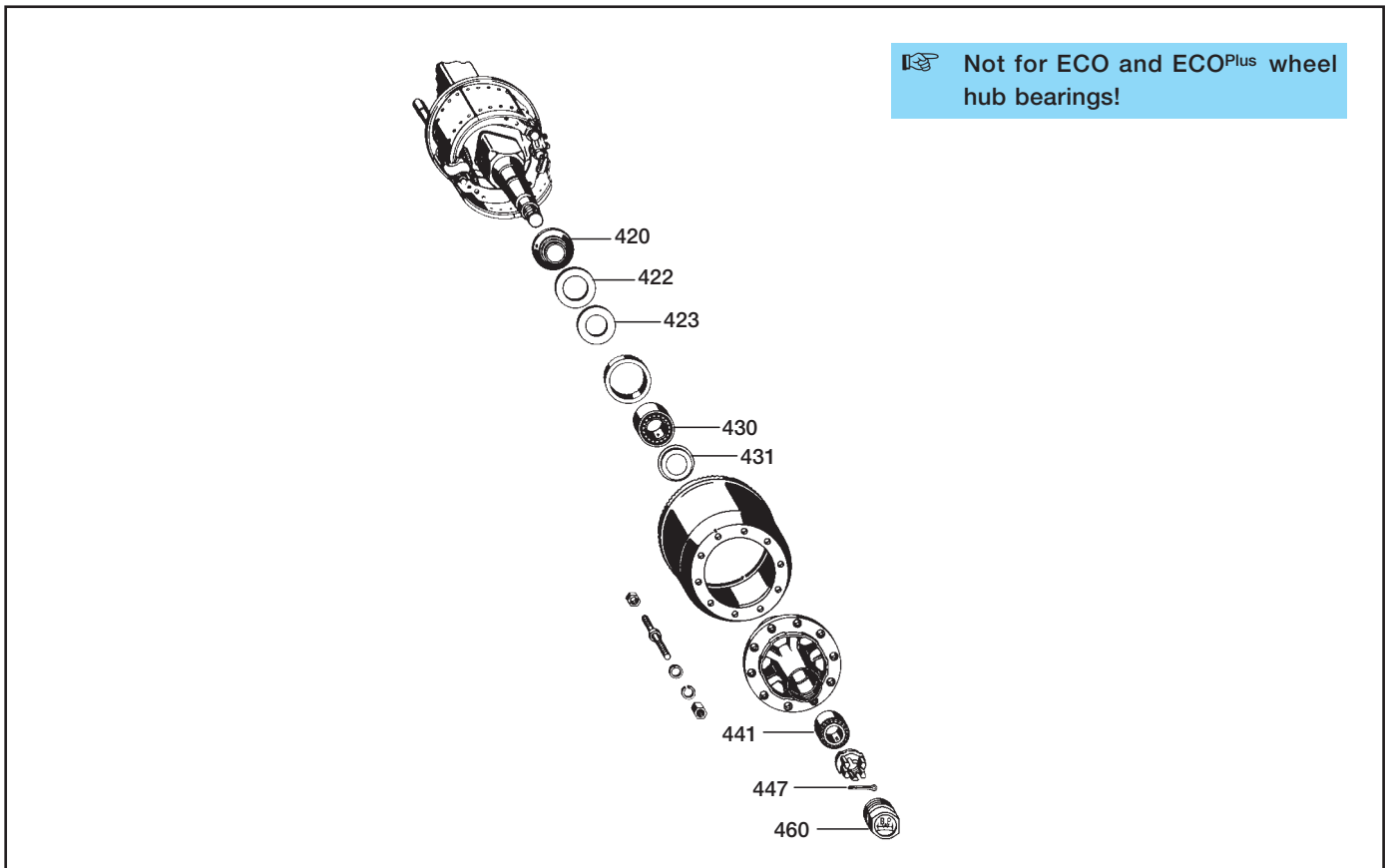
Repair kit - Steering pivot bearing					
Contents per axle.			Axle type	Brake	Year of manufact.
			.. L	all	all
Item	Description	Quantity	BPW code no.	Dimension	
42	Bush	4	03.112.76.08.0	Ø 60 / 65 x 90	
52	Steering pivot	2	03.240.08.01.0	Ø 60 x 331	
55	Thrust washer	2	03.128.05.04.0	Ø 61 / 90 x 7	
56	Thrust washer	2	03.128.25.07.0	Ø 61 / 90 x 7	
57	Ring	2	03.310.35.37.0	Ø 63.5 / 76 x 15	
58	Cap	2	03.211.17.05.0	Ø 61 / 91 x 12	
214	Grease nipple	4	02.6802.06.50	BM 10 x 1	
BPW code no. for kit			09.801.02.36.0		

4.3 Repair kit - Steering pivot bearing 09.801.02.64.0



Repair kit - Steering pivot bearing					
Contents per axle side.			Axle type	Brake	Year of manufact.
			.. L	all	all
Item	Description	Quantity	BPW code no.	Dimension	
52	Steering pivot	1	03.240.08.01.0	Ø 60 x 331	
BPW code no. for kit			09.801.02.64.0		

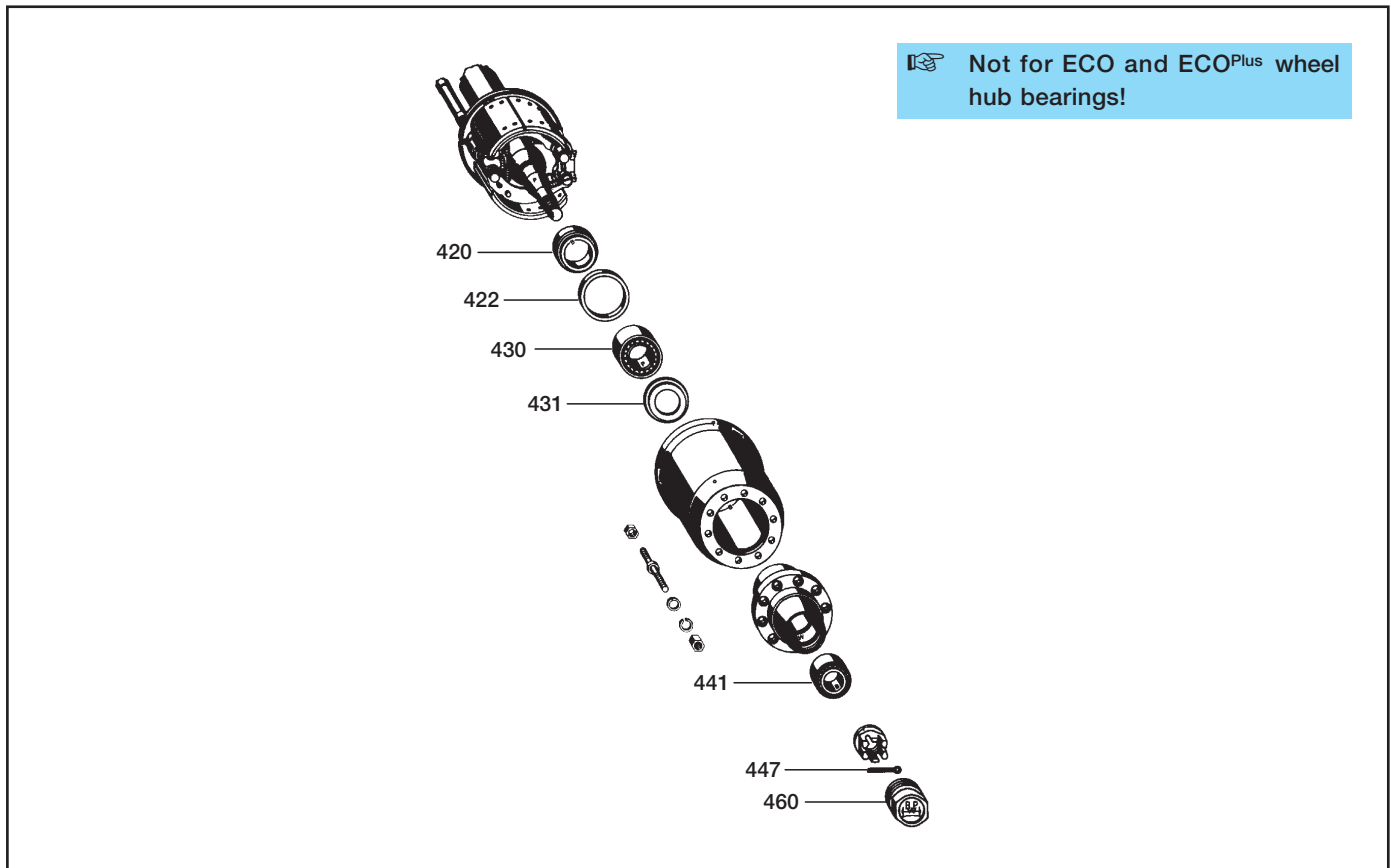
Repair kit - Roller bearings 09.801.02.17.0 and 09.801.02.18.0 5.1.1



Repair kit - Roller bearings (complete)						
Contents per axle side.	Axle type	Brake	Year of manufact.	Axle type	Brake	Year of manufact.
	H / R 6 - 9 t KH / KR 6 - 9 t	all all	up to 12/1994 up to 12/1994	H / R 10 - 12 t KH / KR 10 - 12 t	all all	up to 12/1994 up to 12/1994
Item	Description	Quantity	BPW code no.	Dimension	BPW code no.	Dimension
420	Thrust washer	1	05.370.06.48.0	Ø 80 / 104 / 115 / 142 x 22	05.370.07.43.0	Ø 96 / 120 / 136 / 166 x 22
422	Ring (Nylon)	1	03.310.97.31.0	Ø 110 / 141 x 2.5	03.310.98.21.0	Ø 128 / 165 x 2.5
423	Ring (Nylon)	1	03.310.97.32.0	Ø 104 / 136 x 2.5	03.310.97.30.0	Ø 120 / 157 x 2.5
430	Roller bearing	1	02.6410.24.00	33116	02.6410.23.00	33118
431	Dust cover	1	03.010.04.15.0	Ø 84 / 129 x 5.5	03.010.05.22.0	Ø 94 / 149 x 5.5
441	Roller bearing	1	02.6410.25.00	32310	02.6410.22.00	33213
447	Split pin	1	02.6201.82.01	8 x 50 / 94	02.6201.84.01	8 x 63 / 94
460	Hub cap	1	03.212.23.09.0	M 115 x 2	03.212.24.07.0	M 125 x 2
BPW code no. for kit			09.801.02.17.0		09.801.02.18.0	

BPW repair kits for axles of 6.5 t and above

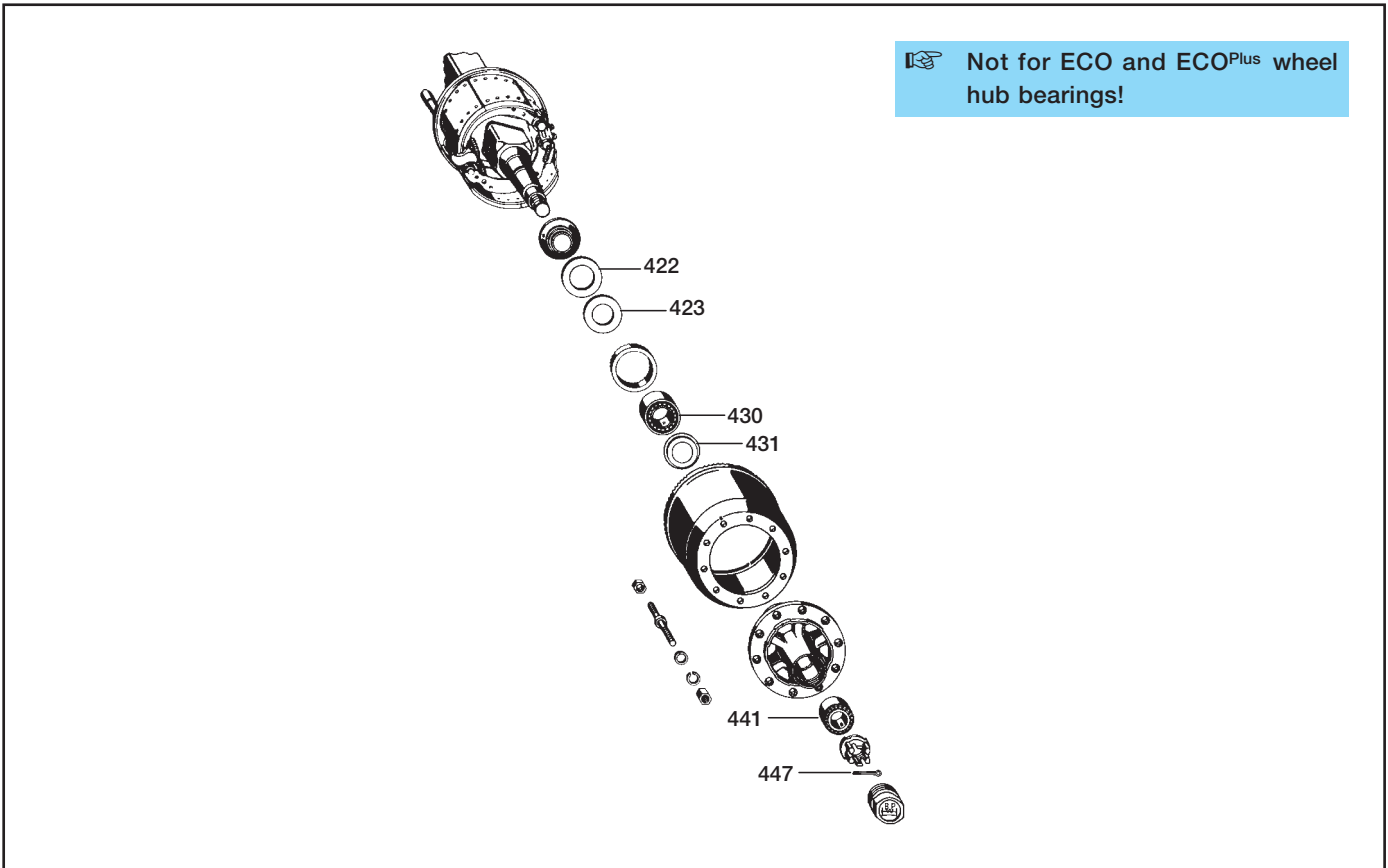
5.1.2 Repair kit - Roller bearings 09.801.02.19.0 and 09.801.02.20.0



Repair kit - Roller bearings (complete)

Contents per axle side.			Axle type	Brake	Year of manufact.	Axle type	Brake	Year of manufact.
			NH / NR 6 - 9 t	all	up to 12/1994	NH / NR 10 - 12 t	all	up to 12/1994
Item	Description	Quantity	BPW code no.	Dimension	BPW code no.	Dimension		
420	Thrust washer	1	03.370.07.45.0	Ø 86 / 125 x 22	03.370.07.44.0	Ø 96 / 145 x 22		
422	Oil seal	1	02.5664.26.57	Ø 125 / 143 x 13 / 11	02.5664.46.57	Ø 145 / 167 x 13		
430	Roller bearing	1	02.6410.24.00	33116	02.6410.23.00	33118		
431	Dust cover	1	03.010.04.15.0	Ø 84 / 129 x 5.5	03.010.05.22.0	Ø 94 / 149 x 5.5		
441	Roller bearing	1	02.6410.25.00	32310	02.6410.22.00	33213		
447	Split pin	1	02.6201.82.01	8 x 50 / 94	02.6201.84.01	8 x 63 / 94		
460	Hub cap	1	03.212.23.09.0	M 115 x 2	03.212.24.07.0	M 125 x 2		
BPW code no. for kit			09.801.02.19.0			09.801.02.20.0		

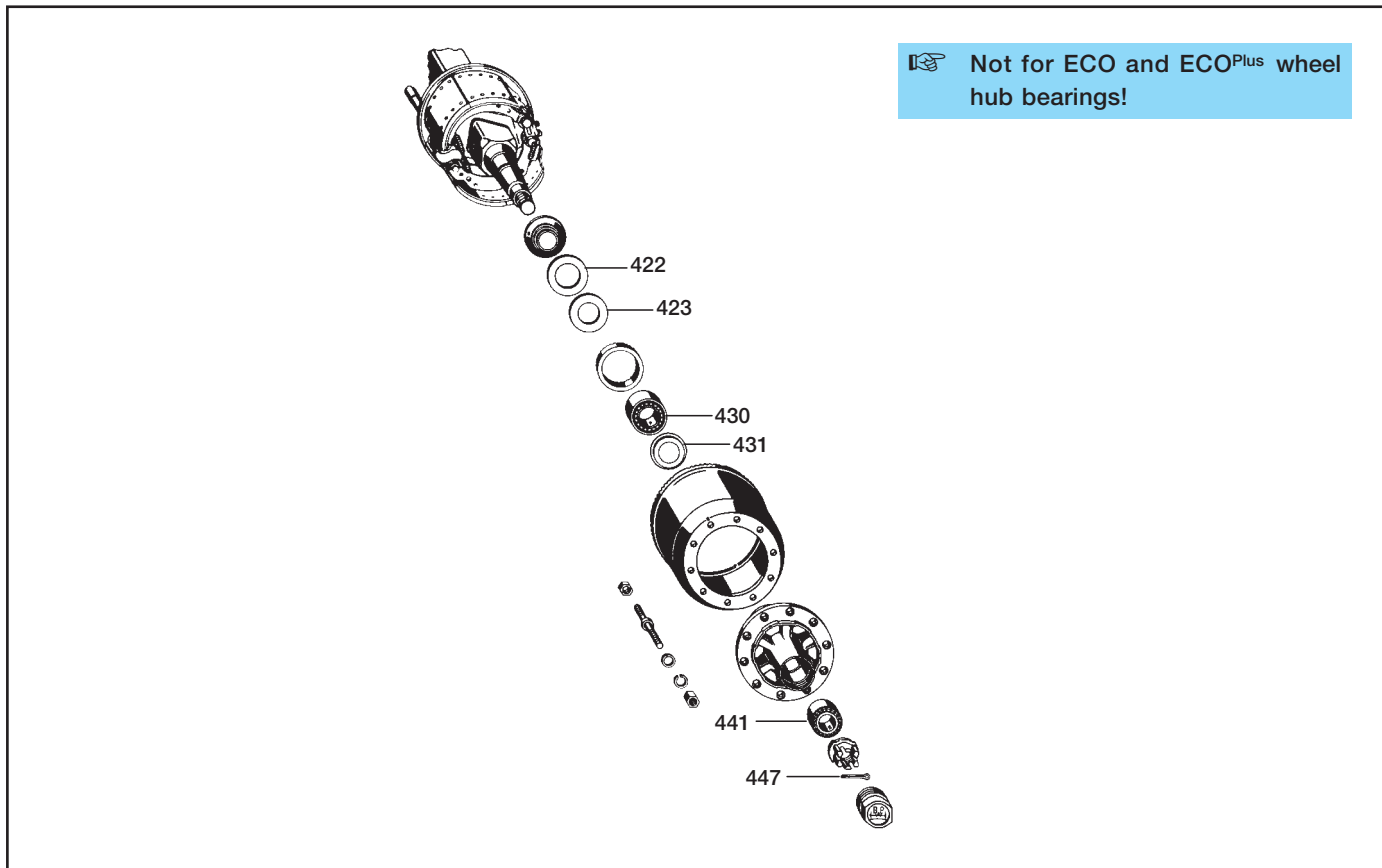
Repair kit - Roller bearing 09.801.02.24.0 5.1.3



Repair kit - Roller bearings (basic)					
Contents per axle side.			Axle type	Brake	Year of manufac.
			H / R 6 - 9 t	all	up to 12/1994
KH / KR 6.5 - 9 t	all	up to 12/1994			
Item	Description	Quantity	BPW code no.	Dimension	
422	Ring (Nylon)	1	03.310.97.31.0	Ø 110 / 141 x 2.5	
423	Ring (Nylon)	1	03.310.97.32.0	Ø 104 / 136 x 2.5	
430	Roller bearing	1	02.6410.24.00	33116	
431	Dust cover	1	03.010.04.15.0	Ø 84 / 129 x 5.5	
441	Roller bearing	1	02.6410.25.00	32310	
447	Split pin	1	02.6201.82.01	8 x 50 / 94	
BPW code no. for kit			09.801.02.24.0		

BPW repair kits for axles of 6.5 t and above

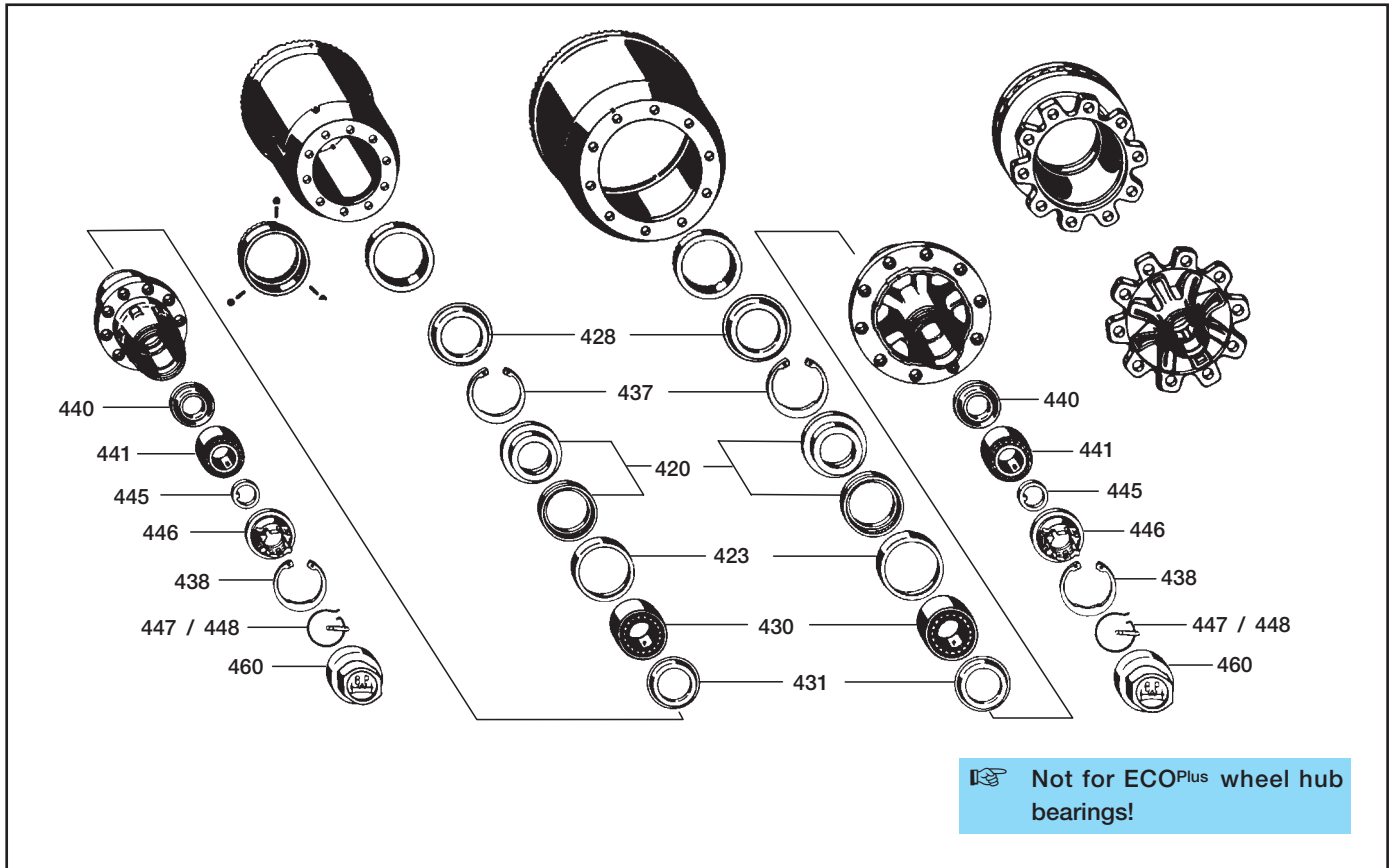
5.1.4 Repair kit - Roller bearing 09.801.02.98.0



Repair kit - Roller bearings (basic)					
Contents per axle side.			Axle type	Brake	Year of manufact
			H / K 10 - 12 t	all	up to 12/1994
Item	Description	Quantity	BPW code no.	Dimension	
422	Ring (Nylon)	1	03.310.98.21.0	Ø 128 / 165 x 2.5	
423	Ring (Nylon)	1	03.310.97.30.0	Ø 120 / 157 x 2.5	
430	Roller bearing	1	02.6410.23.00	33118	
431	Dust cover	1	03.010.05.22.0	Ø 94 / 149 x 5.5	
441	Roller bearing	1	02.6410.22.00	33213	
447	Split pin	1	02.6201.84.01	8 x 63 / 94	
BPW code no. for kit			09.801.02.98.0		

Repair kit - Roller bearings 09.801.02.33.0 and 09.801.02.34.0

5.2.1



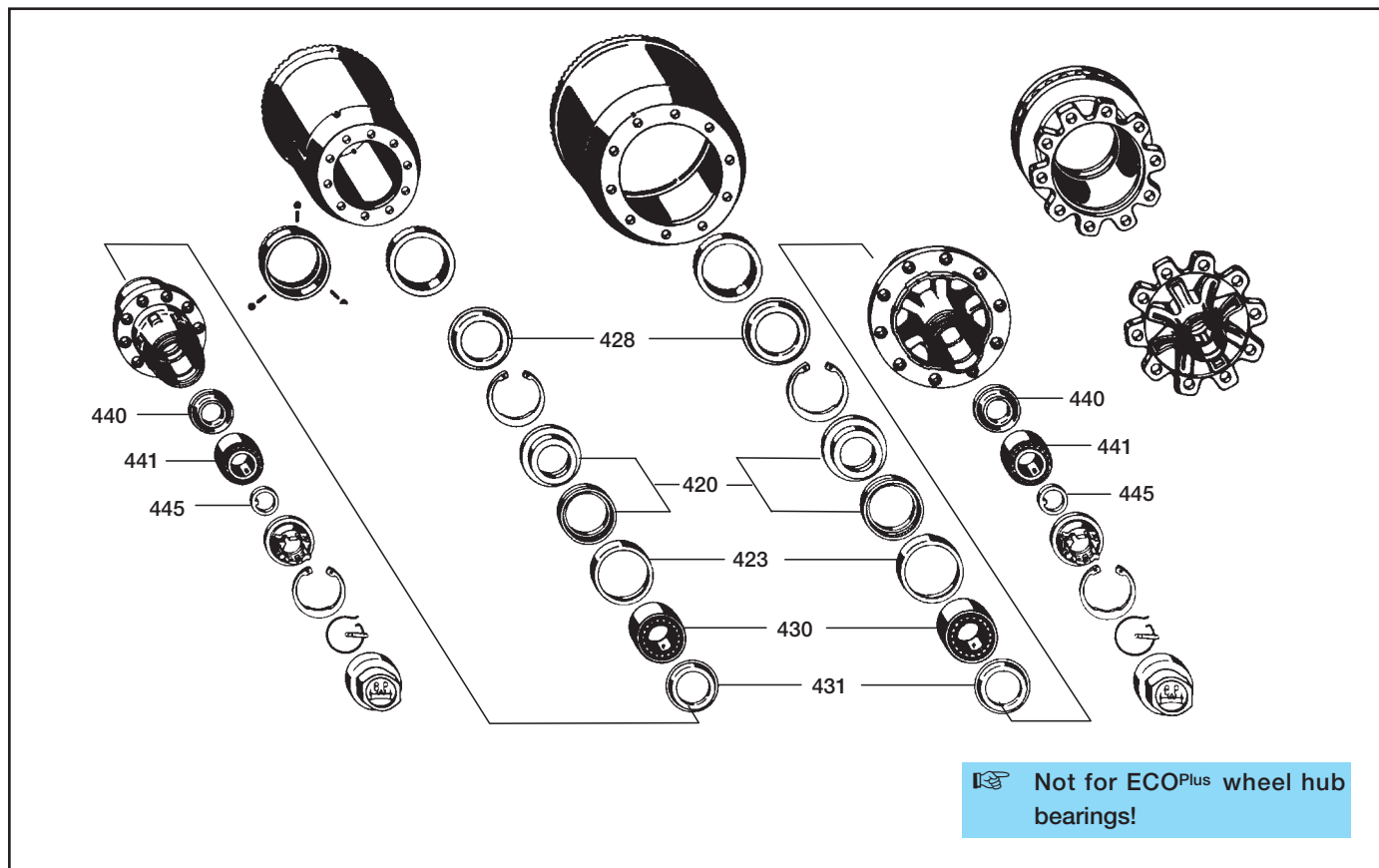
Repair kit - Roller bearings (complete)

Contents per axle side.	Axle type	Brake	Year of manufact.	Axle type	Brake	Year of manufact.
	SH.. / SK.. H.. / K.. / N.. 6.5 - 9 t ECO	all	from 1/1995	SH.. / SK.. H.. / K.. / N.. 10 - 12 t ECO	all	from 1/1995
Item	Description	Quantity	BPW code no.	Dimension	BPW code no.	Dimension
420	Thrust ring	1	05.370.07.67.0	Ø 80 / 115 / 139 x 22	05.370.07.65.0	Ø 90 / 135 / 159 x 22
423	Ring	1	02.5683.62.00	Ø 121 / 140 x 12.5	02.5683.63.00	Ø 151 / 160 x 12.5
428	Sealing ring	1	02.5681.98.00	Ø 103 / 147 x 15	03.120.48.13.0	Ø 133 / 168 x 15
430	Roller bearing	1	02.6410.24.00	33116	02.6410.23.00	33118
431	Dust cover	1	03.010.93.33.0	Ø 84 / 129 x 8.5	03.010.93.34.0	Ø 94 / 149 x 8.5
437	Locking ring	1	02.5606.40.90	140 x 4 / 472	02.5606.60.90	160 x 4 / 472
438	Locking ring	1	02.5606.12.90	112 x 4 / 472	02.5606.22.90	122 x 4 / 472
440	Thrust ring	1	03.370.25.16.0	Ø 48 / 54 x 9	03.370.26.24.0	Ø 71 / 108 x 8
441	Roller bearing	1	02.6410.25.00	32310	02.6410.22.00	33213
445	Disc	1	03.320.73.13.0	Ø 43 / 61 x 5.8	03.320.64.01.0	Ø 53 / 76 x 5.8
446	Axle nut	1	03.266.46.02.0	M 42 x 2 / SW 65	03.266.47.03.0	M 52 x 2 / SW 80
447	Bolt	1	03.084.71.17.0	Ø 8 x 45	03.084.71.17.0	Ø 8 x 45
448	Hooked spring ring	1	03.188.03.06.0	Ø 54 x 2	03.188.04.08.0	Ø 66 x 2
460	Hub cap	1	03.212.24.25.0	M 125 x 2 / SW 110	03.212.25.08.0	M 135 x 2 / SW 110
BPW code no. for kit			09.801.02.33.0		09.801.02.34.0	

Oil seal is included in item 420

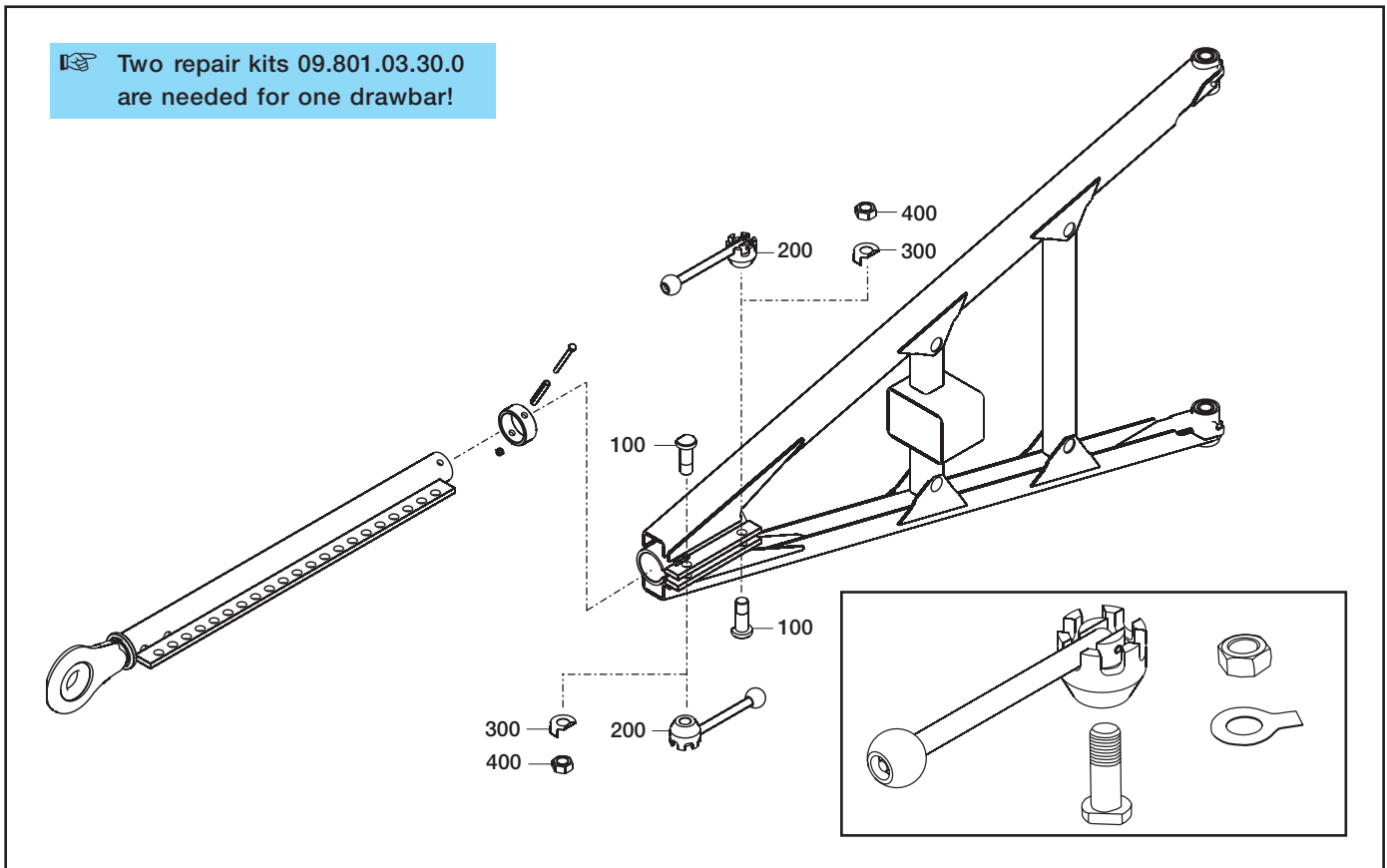
BPW repair kits for axles of 6.5 t and above

5.2.2 Repair kit - Roller bearings 09.801.02.72.0 and 09.801.06.89.0



Repair kit - Roller bearings (complete)						
Contents per axle side.	Axle type	Brake	Year of manufact.	Axle type	Brake	Year of manufact.
	SH.. / SK.. H.. / K.. / N.. 6.5 - 9 t ECO	all	from 1/1995	SH.. / SK.. H.. / K.. / N.. 10 - 12 t ECO	all	from 1/1995
Item	Description	Quantity	BPW Nr.	Dimension	BPW Nr.	Dimension
420	Thrust ring	1	05.370.07.67.0	Ø 80 / 115 / 139 x 22	05.370.07.65.0	Ø 90 / 135 / 159 x 22
423	Ring	1	02.5683.62.00	Ø 121 / 140 x 12.5	02.5683.63.00	Ø 151 / 160 x 12.5
428	Sealing ring	1	02.5681.98.00	Ø 103 / 147 x 15	03.120.48.13.0	Ø 133 / 168 x 15
430	Roller bearing	1	02.6410.24.00	33116	02.6410.23.00	33118
431	Dust cover	1	03.010.93.33.0	Ø 84 / 129 x 8.5	03.010.93.34.0	Ø 94 / 149 x 8.5
440	Thrust ring	1	03.370.25.16.0	Ø 48 / 54 x 9	03.370.26.24.0	Ø 71 / 108 x 8
441	Roller bearing	1	02.6410.25.00	33210	02.6410.22.00	33213
445	Washer	1	03.320.73.13.0	Ø 43 / 61 x 5.8	03.320.64.01.0	Ø 53 / 76 x 5.8
BPW code no. for kit			09.801.02.72.0		09.801.06.89.0	

Oil seal is included in item 420



Repair kit drawbar (bolt / adjusting nut)				
Contents for one connection.			Application	
			PZL 27, PZL 32, PZGL 26, PZGL 32	
Item	Description	Quantity	BPW code no.	Dimension
100	Thread bolt	1	03.177.14.29.0	M 24 x 1.5 x 78
200	Adjusting nut	1	05.265.04.04.0	M 24 x 1.5
BPW code no. for kit			09.801.03.30.0	

Repair kit drawbar (bolt / hexagon nut)				
Contents for one drawbar.			Application	
			PZL 27, PZL 32, PZGL 26, PZGL 32	
Item	Description	Quantity	BPW code no.	Dimension
100	Thread bolt	2	03.177.14.29.0	M 24 x 1.5 x 78
300	Disc	2	02.5425.25.04	Ø 25
400	Hexagon nut	2	02.5202.31.82	M 24 x 1.5
BPW code no. for kit			05.801.90.13.0	

BPW repair kits for axles of 6.5 t and above

7 Complete hubs

Complete hub sets are available for series H, SH, KH and SKH axles with **ECO and ECO^{Plus} wheel bearings**. As well as the actual wheel hub, the kit contains all the internal parts such as roller bearings, seals, the axle nut, the exciter ring and the hub cap.

The hubs are greased with the prescribed amount of **ECO-Li^{Plus}** and are ready to fit. Fitting complete hub units is easier than assembling them from the various components. Complete hubs are assembled under series production conditions and are therefore **guaranteed to offer the usual high standard of BPW quality**.

Individual hub BPW code no.	Repair kit BPW code no.	Hole pattern	Ø Pitch circle (mm)	Ø Wheel seat (mm)	Ø Brake seat (mm)	Application
03.272.27.41.0	09.801.06.50.0	10 hole	225	175.5	190	K.. 8 - 9 t
03.272.27.48.0	09.801.06.54.0	10 hole	225	175.5	190	K.. 8 - 9 t ECO MAXX
03.272.28.56.0	09.801.06.51.0	8 hole	275	220.5	230	K.. 8 - 9 t ECO
03.272.28.70.0	09.801.06.55.0	8 hole	275	220.5	230	K.. 8 - 9 t ECO MAXX
03.272.30.87.0	09.801.06.03.0	10 hole	335	280.5	290	H.. 8 - 9 t ECO
03.272.30.97.0	09.801.06.05.0	10 hole	335	280.8	290	H.. 8 - 9 t ECO MAXX
03.272.43.10.0	09.801.06.07.0	10 hole	335	280.8	290	H.. / K.. 8 - 9 t ECO
03.272.43.12.0	09.801.06.08.0	10 hole	335	280.8	290	H.. 10 - 12 t ECO
03.272.43.12.0	09.801.06.06.0	10 hole	335	280.8	290	H.. 10 - 12 t ECO MAXX
03.272.43.13.0	09.801.06.22.0	10 hole	335	280.8	290	SKH.. 10 - 12 t ECO ^{Plus}
03.272.43.26.2 1)	09.801.06.23.0	10 hole	335	280.5	290	SH.. 10 - 12 t ECO ^{Plus}
03.272.43.14.2 1)	09.801.06.58.0	10 hole	335	280.8	290	SKHB.. 8 - 9 t ECO ^{Plus}
03.272.46.30.2 1)	09.801.06.59.0	8 hole	275	220.5	230	SKH.. 10 - 12 t ECO ^{Plus}
03.272.43.22.2 1)	09.801.06.62.0	10 hole	335	280.8	290	SH.. 10 - 12 t ECO ^{Plus}
03.272.46.24.0	09.801.06.63.0	8 hole	275	220.5	230	SKH.. 10 - 12 t ECO MAXX
03.272.32.03.0	09.801.06.64.0	10 hole	335	280.5	290	SKH.. 8 - 9 t ECO MAXX
03.272.28.71.0	09.801.06.65.0	8 hole	275	220.5	230	SKH.. 8 - 9 t ECO MAXX
03.272.30.99.0	09.801.06.67.0	10 hole	335	280.8	290	SKHB.. 8 - 9 t ECO MAXX
03.272.43.20.0	09.801.06.72.0	10 hole	335	280.5	290	H.. 10 - 12 t ECO
03.272.32.04.0	09.801.06.74.0	10 hole	335	280.8	290	SKH.. 8 - 9 t ECO MAXX AL
03.272.44.34.0	09.801.06.52.0	10 hole	225	175.5	190	K.. 10 - 12 t ECO
03.272.44.40.0	09.801.06.60.0	10 hole	225	175.5	190	K.. 10 - 12 t ECO ^{Plus}
03.272.44.40.0	09.801.06.56.0	10 hole	225	175.5	190	K.. 10 - 12 t ECO MAXX
03.272.46.15.0	09.801.06.53.0	8 hole	275	220.5	230	K.. 10 - 12 t ECO

1) = ECO^{Seal}

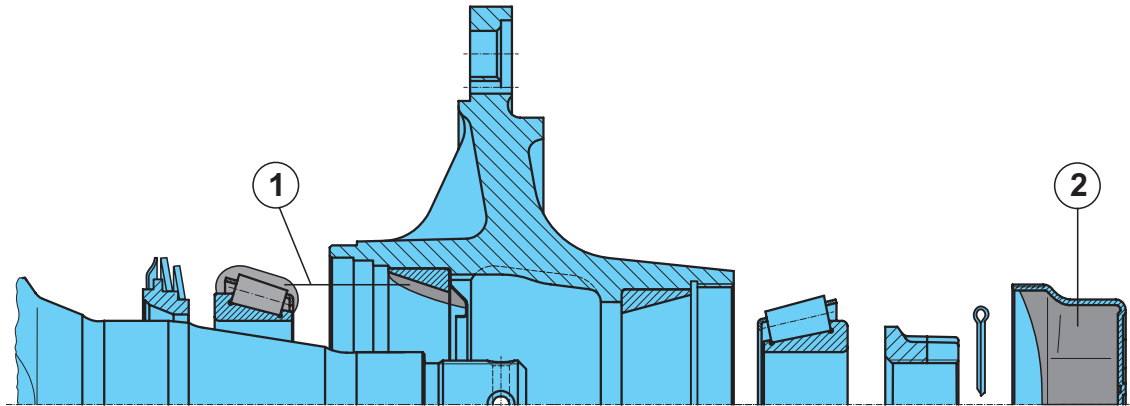
Individual hub BPW code no.	Repair kit BPW code no.	Hole pattern	Ø Pitch circle (mm)	Ø Wheel seat (mm)	Ø Brake seat (mm)	Application
03.272.46.25.0	09.801.06.61.0	8 hole	275	220.5	230	K.. 10 - 12 t ECOPlus
03.272.46.25.0	09.801.06.57.0	8 hole	275	220.5	230	K.. 10 - 12 t ECO MAXX
03.272.46.28.2 1)	09.801.06.69.0	8 hole	275	220.5	230	K.. 8 - 9 t ECOPlus
03.272.48.88.0	09.801.06.15.0	10 hole	335	280.5	290	H.. 10 - 12 t ECO AL

1) = ECOSeal

BPW repair kits for axles of 6.5 t and above

8.1 Conventional hub system

Grease filling per wheel hub



Clean taper roller bearings (using diesel oil) thoroughly, check for re-useability and re-grease.

		BPW longlife roller bearing grease ECO-Li 91, quantity per tapered roller bearing			
		① inner		② outer	
Axle load	Axle type	Roller bearing	Quantity	Roller bearing	Quantity
6400 kg	KRBM 6498	33215	170 g	32310	290 g
6000 - 9000 kg	H.. 6.5 - 9 t K.. 6.4 - 9 t N.. 6 - 9 t	33316	170 g	32310	290 g
10000 - 12000 kg	H.. 10 - 12 t K.. 10 - 12 t N.. 10 - 12 t	33118	180 g	33213	320 g
13000 - 14000 kg	H.. 13 - 14 t K.. 13 t N.. 13 t	32219	240 g	33215	500 g
16000 - 18000 kg	H.. 16 - 18 t	32222	400 g	32314	800 g

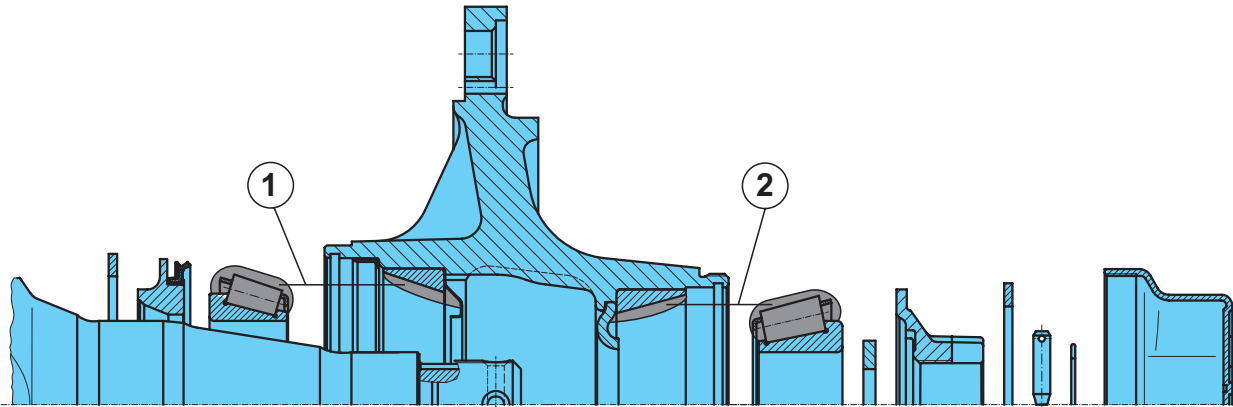
① Work BPW longlife roller bearing grease ECO-Li 91 into the spaces between the tapered rollers and the races. Apply remainder to outer race of the hub.

② The bearing grease for the outer tapered roller bearing is pressed into the bearing as the hub cap filled with grease is screwed on.

Bearing adjustment

1. Unscrew the hub cap.
2. Remove the axle nut split pin.
3. Tighten the axle nut using a torque wrench to 150 Nm (6 - 14 t) or 350 Nm (16 - 20 t) while simultaneously turning the wheel hub (When using the normal axle nut wrench (tool kit), tighten the axle nut until the wheel hub race is slightly braked).
4. Turn the axle nut back to the next possible pin hole. Should they be in line turn back to the next hole (30° at the maximum).
5. Insert the split pin and bend slightly outwards.
6. Refill the hub cap as required with BPW longlife roller bearing grease ECO-Li 91, grease thread of the hub cap all round, screw in and tighten to the prescribed tightening torque.

Grease filling per wheel hub



The BPW ECO hub system is designed for longlife lubrication (500,000 km or 3 years under normal conditions). Thereafter clean taper roller bearings (using diesel oil) thoroughly, check for re-useability and re-grease.

		BPW longlife roller bearing grease ECO-Li 91, quantity per tapered roller bearing			
		① inner		② outer	
Axle load	Axle type	Roller bearing	Quantity	Roller bearing	Quantity
6000 - 9000 kg	H.. 6.5 - 9 t ECO K.. 6.4 - 9 t ECO N.. 6 - 9 t ECO SKH.. 8 - 9 t ECO	33316	120 g	32310	120 g
10000 - 12000 kg	H.. 10 - 12 t ECO K.. 10 - 12 t ECO N.. 10 - 12 t ECO SH.. 10 - 12 t ECO	33118	170 g	33213	120 g
13000 - 14000 kg	H.. 13 - 14 t ECO	32219	230 g	33215	150 g

① and ② Work BPW longlife roller bearing grease ECO-Li 91 thoroughly into the spaces between the tapered rollers and the races. Apply remainder to outer races in the hub.
Renew the lip seal and smear contact area with BPW longlife roller bearing grease ECO-Li 91.

Bearing adjustment

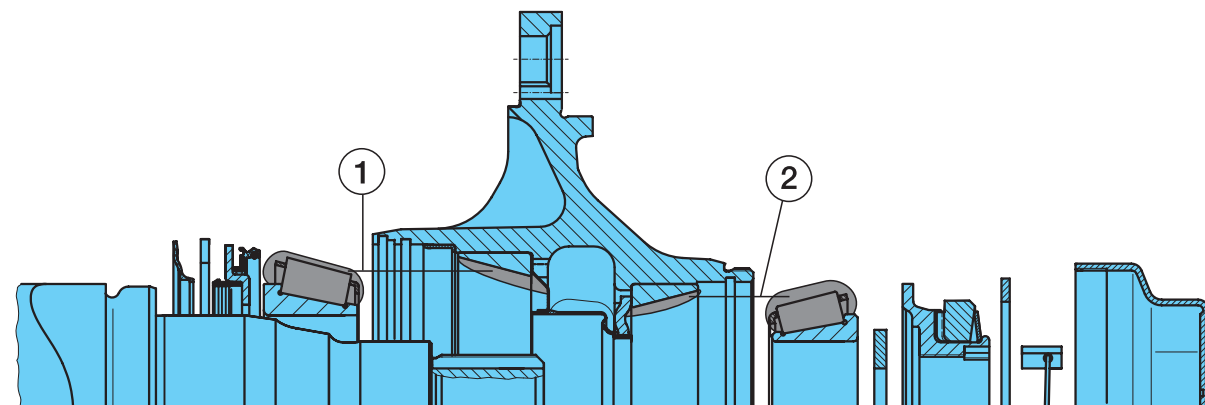
1. Unscrew the hub cap.
2. Remove the locking bolt with spring ring.
3. By turning wheel hub simultaneously, tighten axle nut with torque wrench to 150 Nm and turn back to the next possible securing hole, max. 15°. Because of the asymmetric crown of the axle nut the next securing hole will be reached after max. 15°.
4. Re-assemble locking bolt with spring ring.
5. Grease thread of the hub cap all round with ECO-Li 91, screw on hub cap and tighten to 800 Nm.

BPW longlife roller bearing grease ECO-Li 91	Container	BPW Code no.
	0.4 kg Cartridge	02.1040.34.00
	2.5 kg Bucket	02.1040.30.00
	5 kg Bucket	02.1040.31.00
	10 kg Bucket	02.1040.32.00
	50 kg Drum	02.1040.33.00

BPW repair kits for axles of 6.5 t and above

8.3 ECO^{Plus} hub system

Grease filling per wheel hub



The ECO^{Plus} hub system is designed for the use of longlife grease. On expiry of the guarantee, the roller bearings, the inside of the hub and the seals are to be thoroughly cleaned (with diesel oil), dried, checked to see if they can be re-used, and re-greased every three years when used off-road, or every 5 years when used on the road, within Europe (or every year when off-road and every two years when on the road outside of Europe).

Spray the stub-axle bearing seats with **BPW ECO Assembly and Protection Spray** (BPW no. 02.3521.12.00).

		BPW longlife roller bearing grease ECO-Li ^{Plus} , quantity per tapered roller bearing			
		① Inner		② Outer	
Axle load	Axle type	Roller bearing	Quantity	Roller bearing	Quantity
8000 - 12000 kg	K.. 8 - 9 t ECO ^{Plus}	33118	170 g	32213	120 g
	SKH.. 8 - 9 t ECO ^{Plus}				
	H.. 10 - 12 t ECO ^{Plus}				
	SH.. 10 - 12 t ECO ^{Plus}				

Work BPW longlife roller bearing grease ECO-Li^{Plus} thoroughly into the spaces between the ① and ② tapered rollers and the races. Apply remainder to outer races in the hub.
Renew the lip seal and smear contact area with **BPW longlife roller bearing grease ECO-Li^{Plus}**.

Bearing adjustment

1. Unscrew the hub cap.
2. Remove the hooked spring ring with a wedge from the axle nut.
3. Use a spanner to tighten the axle nut whilst at the same time turning the wheel hub, until the axle nut torque limiter operates (do not use an impact driver).
4. Fit the retaining key in the groove between the axle stub and the nut (do not reset the axle nut).
5. Insert the hooked spring ring, depending on the version, behind the flange on the axle nut or in the thread on the axle stub.
6. Screw on hub cap and tighten to 800 Nm.

BPW longlife roller bearing grease ECO-Li ^{Plus}	Container	BPW Code no.
	0.4 kg Cartridge	02.1040.45.00
	5 kg Bucket	02.1040.47.00
	25 kg Bucket	02.1040.49.00
	50 kg Drum	02.1040.50.00

Notes



BPW-Repsatz-06/1 e

