

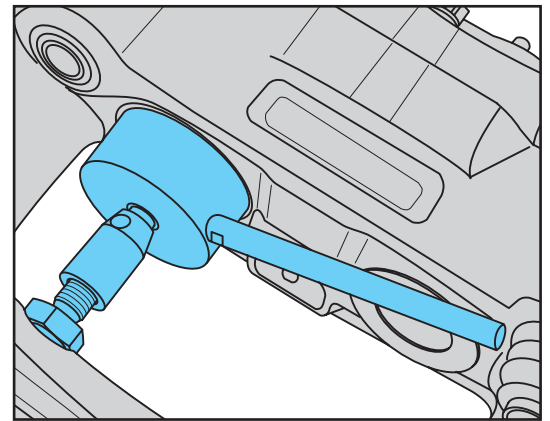
BPW Special tools and calibration equipment for BPW axles and axle suspensions

BPW Special tools and calibration equipment

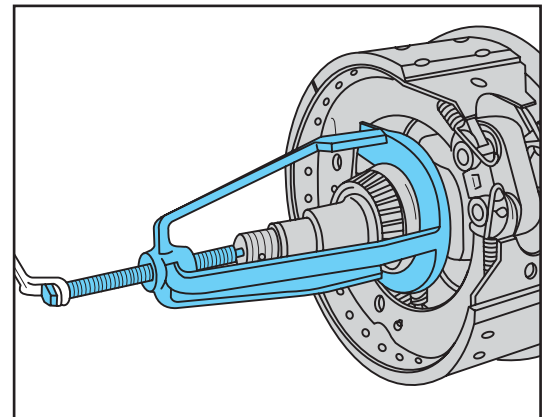
Special tools and measuring devices have a long tradition at BPW Bergische Achsen KG, based on decades of experience.

The existing range of tools has been systematically improved and new products have been added to it with every new generation of axles.

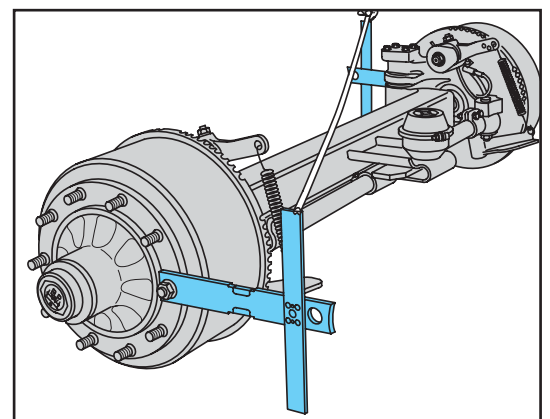
- Current examples of this include the tools for the latest generation of disc brakes, and the grease sprays for greasing roller bearings.



- The tools are arranged according to sub-assemblies or components from the product range, and are divided into tools for axle beams and wheel bearings, tools for drum brakes, tools for disc brakes and tools for suspension systems.



- In addition to which BPW offers special measuring devices for checking dimensions on axles and suspensions.



BPW tools offer the following advantages:



Tried and tested design

Tools must prove their worth in hard, everyday use. Only then does it become clear whether tools are up to the demands of the real world.



Use of high-quality materials

High-quality materials are absolutely essential for producing high-quality tools. Continuous quality assurance guarantees consistent quality.



Favourable price/performance ratio

Quality is not always obvious at first glance (e.g. materials). Buying quality tools is often the cheaper option in the long term. This particularly applies in those cases where tools are regularly needed and where their trouble-free use must be guaranteed at all times.



Long service life, low wear

BPW tools are designed to be particularly resistant to wear and tear, and guarantee an extremely long service life, even with frequent use.



Simple to handle

Ideal solutions are always simple. This statement also particularly applies to tools. For that reason BPW tools are designed strictly to meet the technically necessary requirements. Solutions that do not meet practical requirements are rigorously weeded out at the development stage.

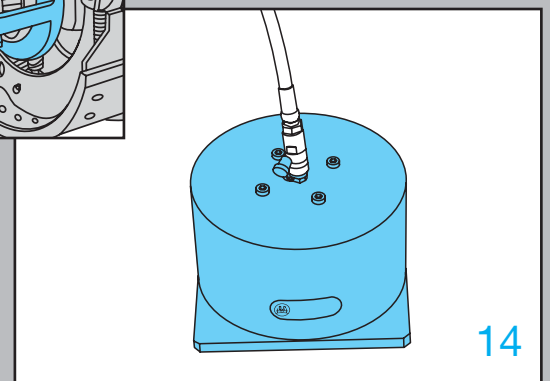
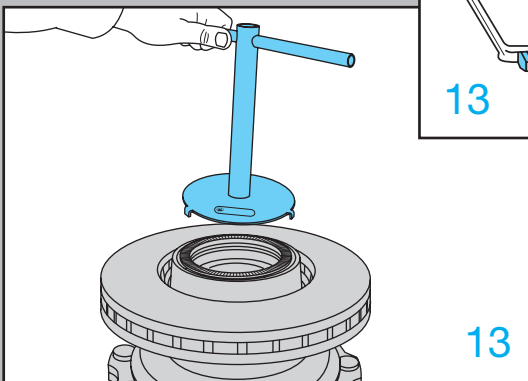
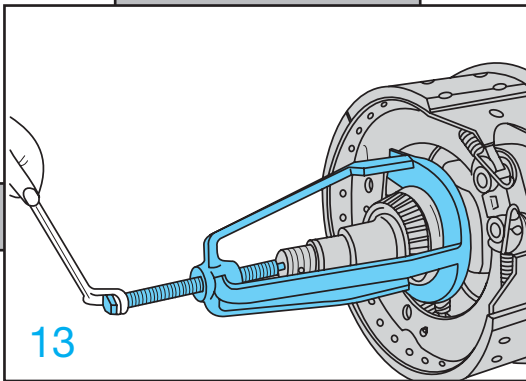
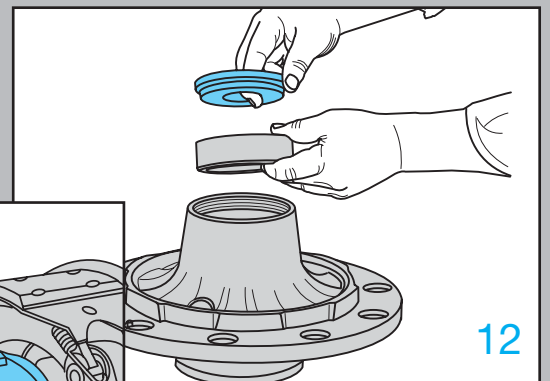
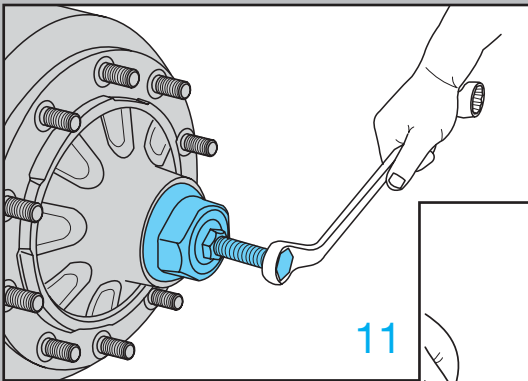
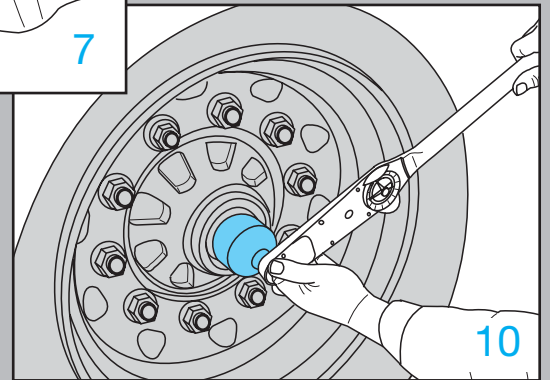
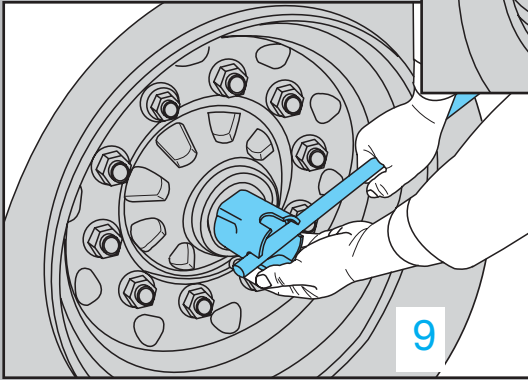
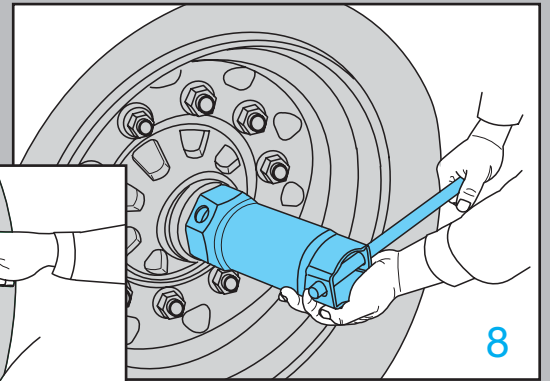
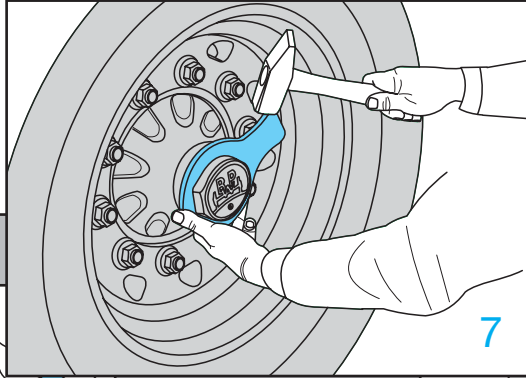
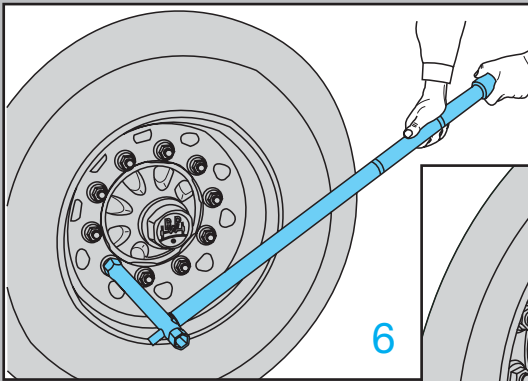
Details on the correct use of the tools can be found in the respective workshop manuals.

Contents

General tools	6 - 14
Box and ring spanners for wheel nuts, axle nuts, hub caps, extension tubes	6 - 10
Hub puller for wheel hubs and spider hubs	11
Compression tools for outer rings of roller bearings and for ECO hub seal bearing races.	12
Drawing tool for taper roller bearings with thrust ring	13
Assembly aid for ABS exciter rings	13
Grease sprays for greasing roller bearings	14
Tools for drum brakes	16 - 19
Spring plier, lever and spreader for fitting brake shoes	16
Drawing tool for brake pins	17
Driving mandrel for bearing bushes on brake pins and brake camshaft	18
Pulling device for slack adjusters	19
Tools for the overhaul of BPW disc brakes	22 - 29
Features of conventional disc brake - monoblock Overview of tools	22 / 23
Tools for the overhaul of BPW disc brakes	26 - 29
Tools for air suspension and mechanical suspension	32 - 34
Tools for rubber-steel bushes	32 / 33
Tools for steel-rubber-steel bushes	34
Calibration equipment	36 / 37
Threaded adapters, measuring tubes and puller screw	36
Measuring tools	37

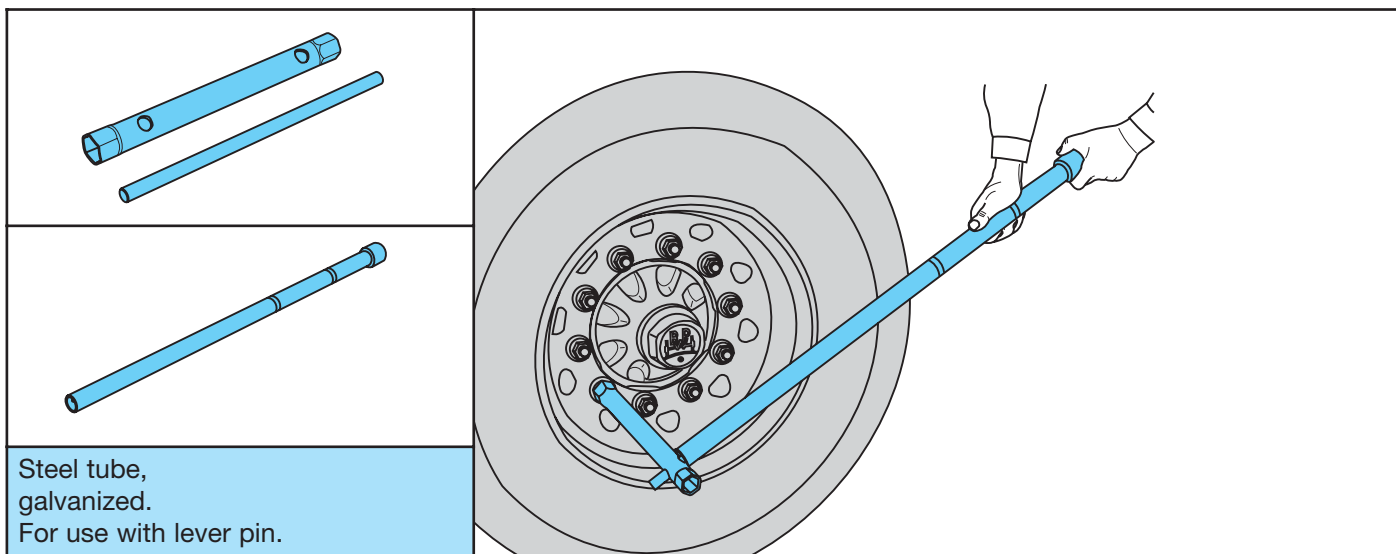
Subject to change (without notice).

General tools



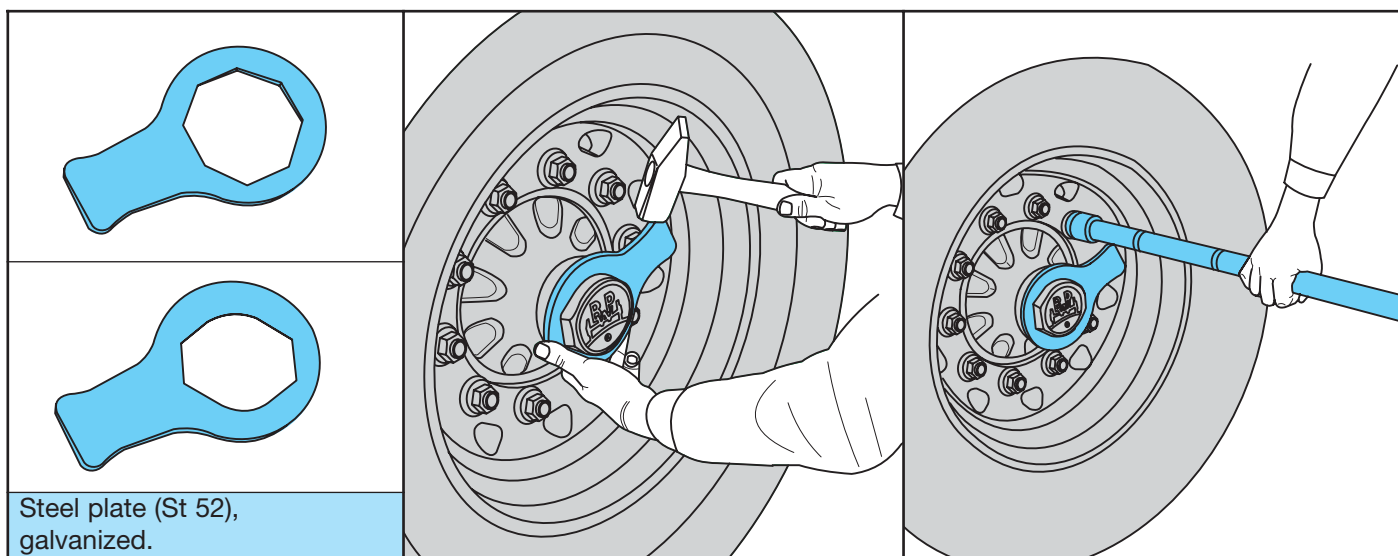
BPW Special tools and calibration equipment

Box spanner for wheel nuts, extension tube



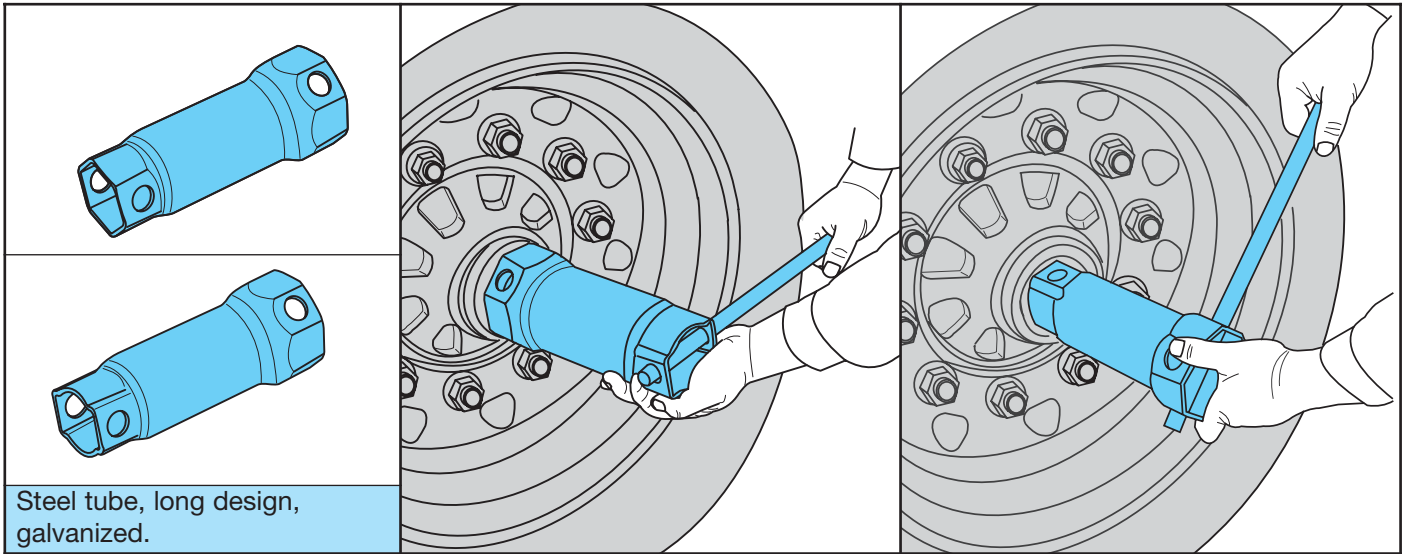
Box spanner with lever pin	SW	L	BPW Code no.
	19 / 24	350	05.364.12.04.0
	27 / 30	425	05.364.14.03.0
	27 / 32	425	05.364.15.10.0
	27 / 33	425	05.364.15.14.0
	30 / 32	425	05.364.15.07.0
	30 / 32	525	05.364.15.08.0
Lever pin only	Ø	L	BPW Code no.
	14	350	02.6015.01.00
	19	450	03.084.64.04.0
Extension tube	Ø	L	BPW Code no.
	30 / 38 / 52	1000	05.300.73.38.0
	Extension tube for wheel nut box spanner also suitable for hub cap spanner.		

Ring spanner for hub caps



Ring spanner for hub cap	Axle type	SW Octagonal	L	BPW Code no.
		55	205	03.339.02.02.0
		60	157	03.339.03.02.0
		85	233	03.339.03.04.0
	EH.. 6 t	90	233	03.339.04.02.0
	EH.. 6,5 - 9 t	95	233	03.339.04.01.0
	EH.. 10., 11., 12.-2 H.. 10 - 12 t Oil-filled N.. 10 - 12 t Oil-filled	110	240	03.339.05.01.0
	EH.. 13 - 16 t H.. 14 - 18 t K.. 13 t N.. 13 t Z.. 13 t	120	240	03.339.05.02.0
	H.. 20 t	130	240	03.339.05.03.0
Ring spanner for hub cap	Axle type	SW BPW shape	L	BPW Code no.
	H.. 6,5 - 9 t K.. 8 - 9 t N.. 6 - 9 t	95	233	03.339.04.03.0
	H.. 10 - 12 t K.. 10 - 12 t N.. 10 - 12 t	110	240	03.339.05.04.0
	H.. 13 - 14 t from 11/2004 K.. 13 - 14 t from 11/2004	120	240	03.339.05.07.0
	Extension tube see page 6.			

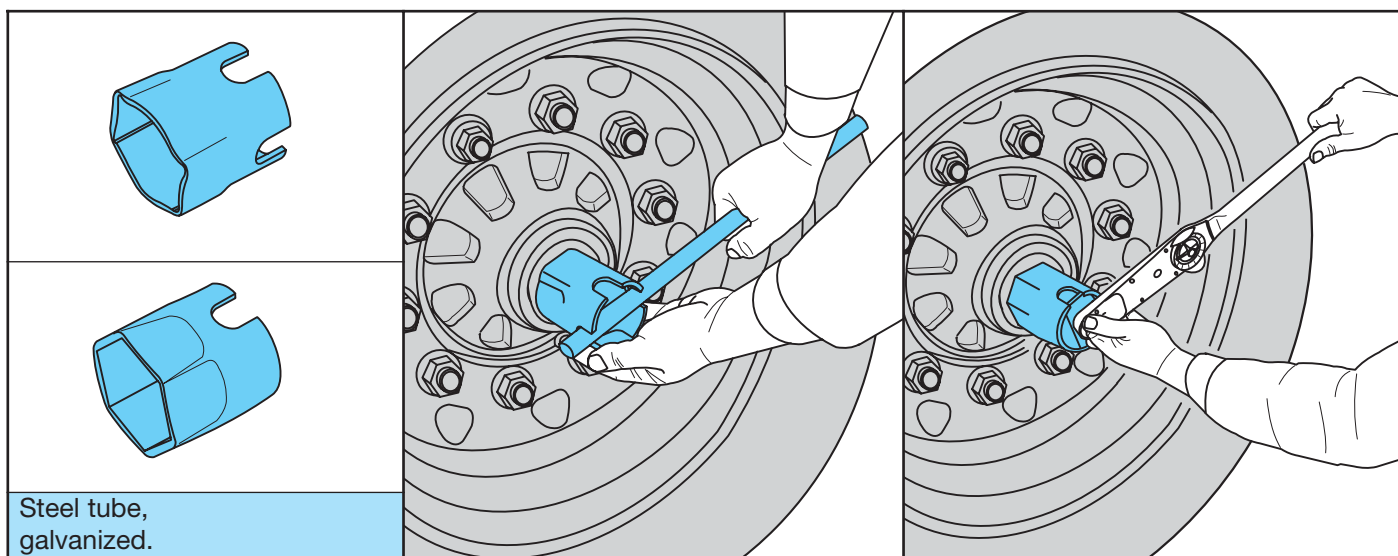
Box spanner for hub caps and axle nuts



Box spanner	for axle type	SW Hexag.	SW Octag.	L	BPW Code no.
	EB.. 2106	-	55	65	03.364.19.02.0
	EB.. 2706 N.. 4 - 5.5 t R.. 2.5 - 5.5 t Z.. 4 - 5.5 t	46	70	155	03.364.21.02.0
	Z.. 6 t	55	85	265	03.364.25.02.0
	EH.. 6 t	65	95	265	03.364.26.01.0
	EH.. 6.5 - 9 t	80	110	265	03.364.27.01.0
Lever pin and extension tube see page 6.					

Box spanner	for axle type	SW BPW Shape	SW Octag.	L	BPW Code no.
	H.. 6.5 - 9 t Conv. / ECO K.. 8 - 9 t Conv. / ECO N.. 6 - 9 t Conv. / ECO	65	95	265	03.364.26.03.0
	H.. 10 - 12 t Conv. / ECO K.. 10 - 12 t Conv. / ECO N.. 10 - 12 t Conv. / ECO	80	110	265	03.364.27.03.0
	H.. 6.5 - 9 t ECO K.. 8 - 9 t ECO N.. 6 - 9 t ECO	65	110	300	03.364.26.06.0
Lever pin and extension tube see page 6.					

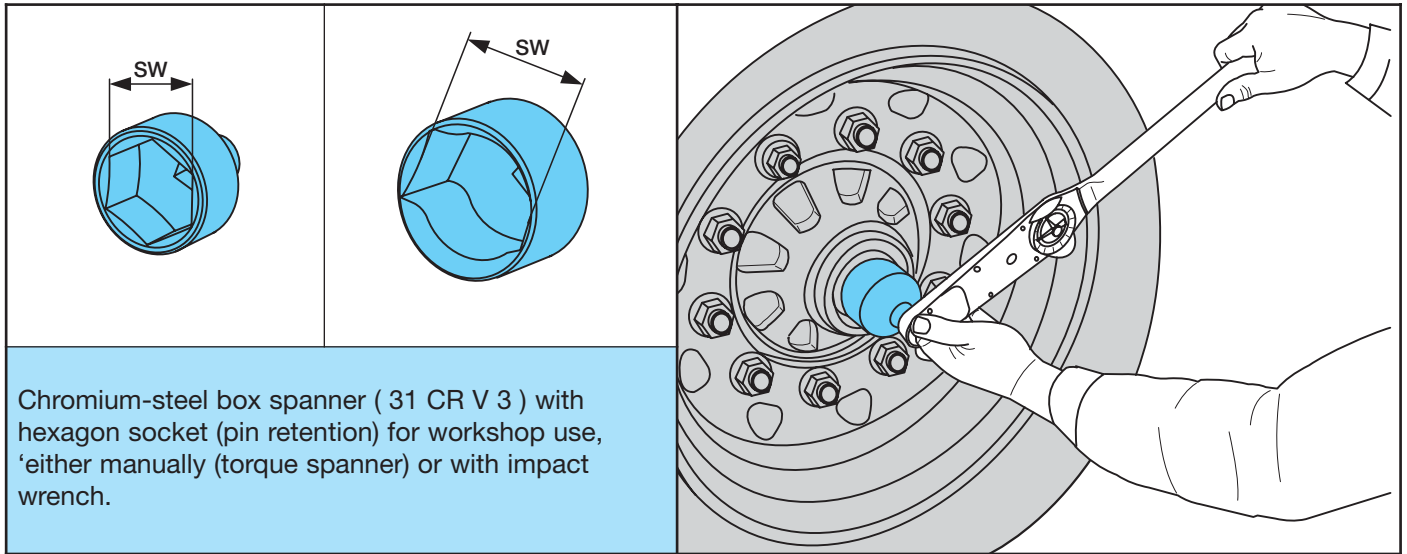
Box spanner for axle nuts



Steel tube,
galvanized.

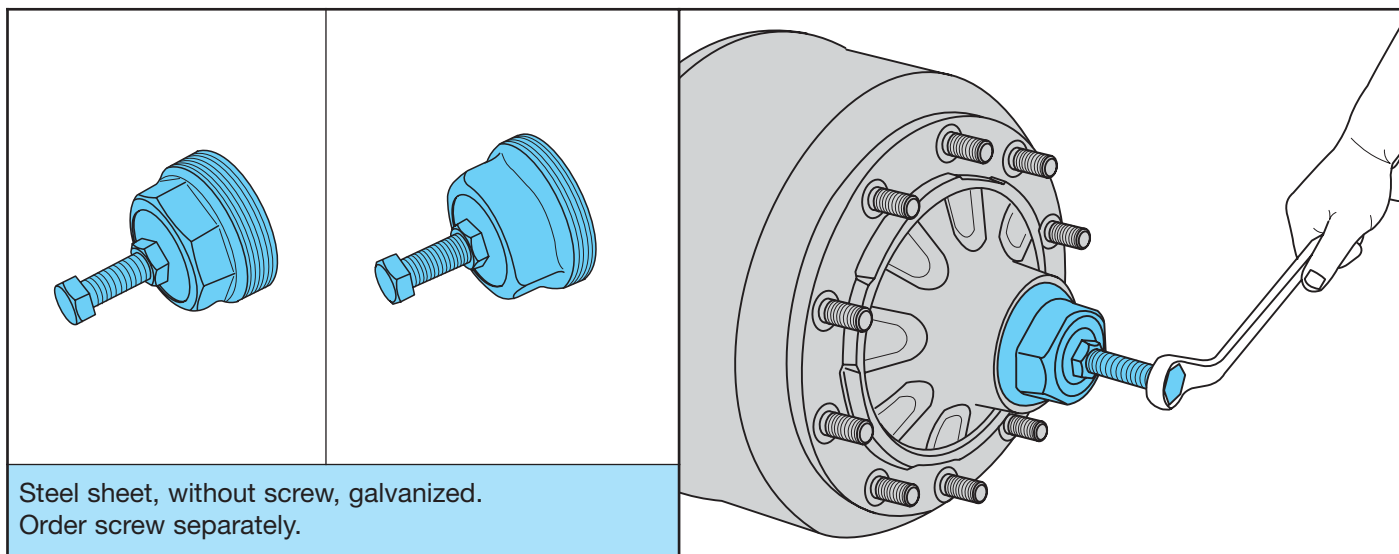
Box spanner	Axle type	SW Hexagonal	L	BPW Code no.
	EB.. 2106	36	65	03.364.16.01.0
		41	130	03.364.17.01.0
	ZR.. / NR.. / NM.. / R.. 3.2 - 5.5 t	46	155	03.364.18.01.0
		55	65	03.364.19.03.0
	EH.. 6 - 9 t	65	80	03.364.20.01.0
		70	80	03.364.21.01.0
	EH.. 10.., 11.., 12..-2	80	80	03.364.24.01.0
	EH.. 13 - 16 t H.. 14 - 18 t K.. 13 t N.. 13 t	85	300	03.364.25.01.0
H.. / K.. ECO ^{Plus}	95	85	05.364.26.05.0	
H.. 20 t	100	80	03.364.26.02.0	
Box spanner	Axle type	SW BPW Shape	L	BPW Code no.
	H.. 6.5 - 9 t Conv. / ECO K.. 8 - 9 t Conv. / ECO N.. 6 - 9 t Conv. / ECO	65	80	03.364.20.02.0
	H.. 10 - 12 t Conv. / ECO K.. 10 - 12 t Conv. / ECO N.. 10 - 12 t Conv. / ECO	80	80	03.364.24.02.0
	H.. 14 t ECO	85	80	03.364.25.03.0
	Lever pin and extension tube see page 6.			

Box spanner for workshop use



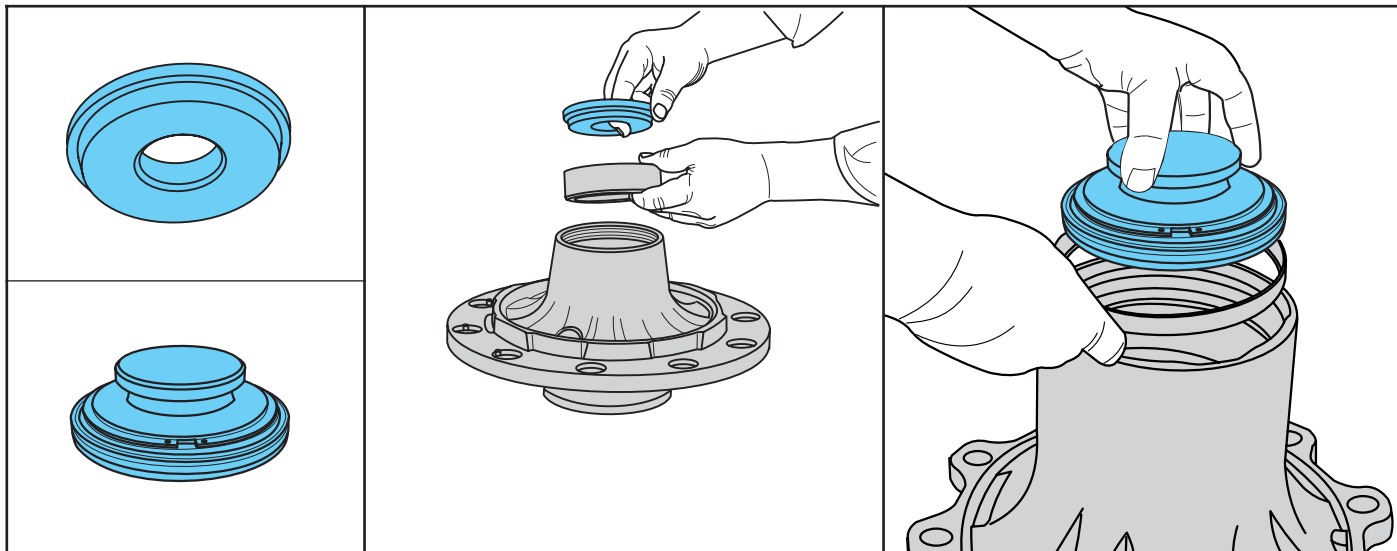
Box spanner for axle nuts	for axle type	SW Hexagonal	□	BPW Code no.
	EB.. 2106 N.. 4 - 5.5 t R.. 2.5 - 5.5 t ZR.. 4 - 5.5 t	46	1/2"	03.364.18.02.0
Box spanner for axle nuts	for axle type	SW BPW shape	□	BPW Code no.
	H.. / K.. / N.. 6 - 9 t Conv. H.. / K.. / N.. 6 - 9 t ECO	65	1/2"	03.364.20.03.0
	H.. / K.. / N.. 10 - 12 t Conv. H.. / K.. / N.. 10 - 12 t ECO	80	1/2"	03.364.24.03.0
Box spanner for hub caps	for axle type	SW Octagonal	□	BPW Code no.
	EH.. 8 - 9 t H.. 6 - 9 t Oil-filled K.. 6,5 t Conv., Alloy hub	95	1"	03.364.26.04.0
	EH.. 10 - 12 t H.. 10 - 12 t Oil-filled	110	1"	03.364.27.04.0
Box spanner for hub caps	for axle type	SW BPW shape	□	BPW Code no.
	H.. / K.. / N.. Conv. 6.5 - 9 t	95	1"	03.364.29.02.0
	H.. / K.. / N.. ECO 6.5 - 12 t H.. / K.. ECO ^{Plus}	110	1"	03.364.29.03.0

Hub puller for wheel hubs and spider hubs



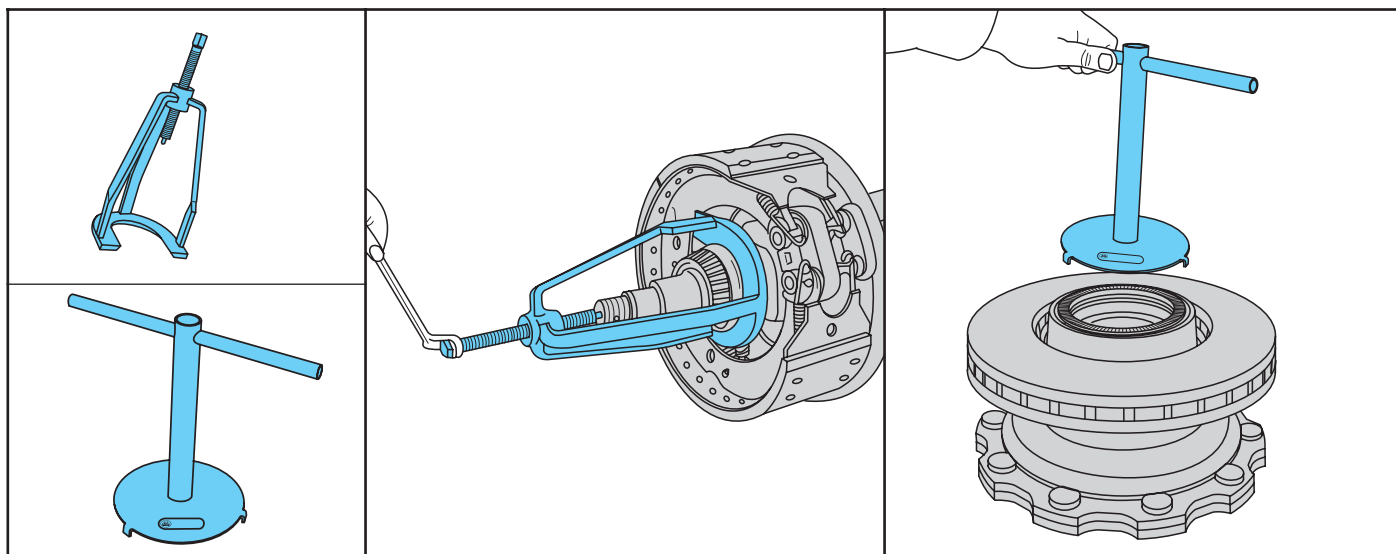
Hub puller	for axle type	SW Octagonal	Screw	Thread	BPW Code no.
	EB.. 2706	60	M 18 x 60 02.5026.50.80	M 76 x 2	05.012.24.01.0
	N.. 4 - 5.5 t R.. 2.5 - 5.5 t ZR.. 4 - 5.5 t	70		M 84 x 2	05.012.25.01.0
	ZR.. 6 t	85	M 22 x 100 02.5026.70.80	M 95 x 2	05.012.25.02.0
	EH.. 6 t	90		M 105 x 3	05.012.26.01.0
	EH.. 6.5 - 9 t ZR.. 8 - 9 t	95		M 115 x 3	05.012.26.02.0
	EH.. 10.., 11.., 12..-2 ZR 10.., 10..-1	110		M 125 x 3	05.012.27.01.0
	EB.. 10 t EH.. 12..-1, 13..-1, 14..-1 H.. / M.. 14..-1 K.. / N.. / Z.. 13 t	120		M 135 x 3	05.012.27.02.0
	EH.. 13 - 16 t H.. 14 - 18 t	120		M 155 x 3	05.012.28.01.0
	H.. 20 t	130		M 180 x 3	05.012.29.01.0
	Hub puller	for axle type		SW BPW Shape	Screw
	H.. 6.5 - 9 t K.. 8 - 9 t N.. 6 - 9 t	95	M 22 x 100 02.5026.70.80	M 115 x 2	05.012.26.03.0
	H.. 10 - 12 t K.. 10 - 12 t N.. 10 - 12 t	110		M 125 x 2	05.012.27.05.0
	H.. / K.. 14 t from 11/2004	120		M 150 x 2	05.012.28.03.0

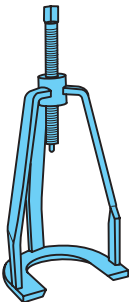
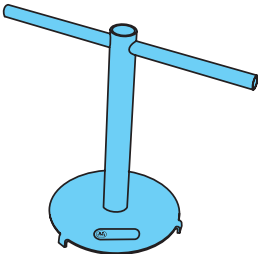
Press tools



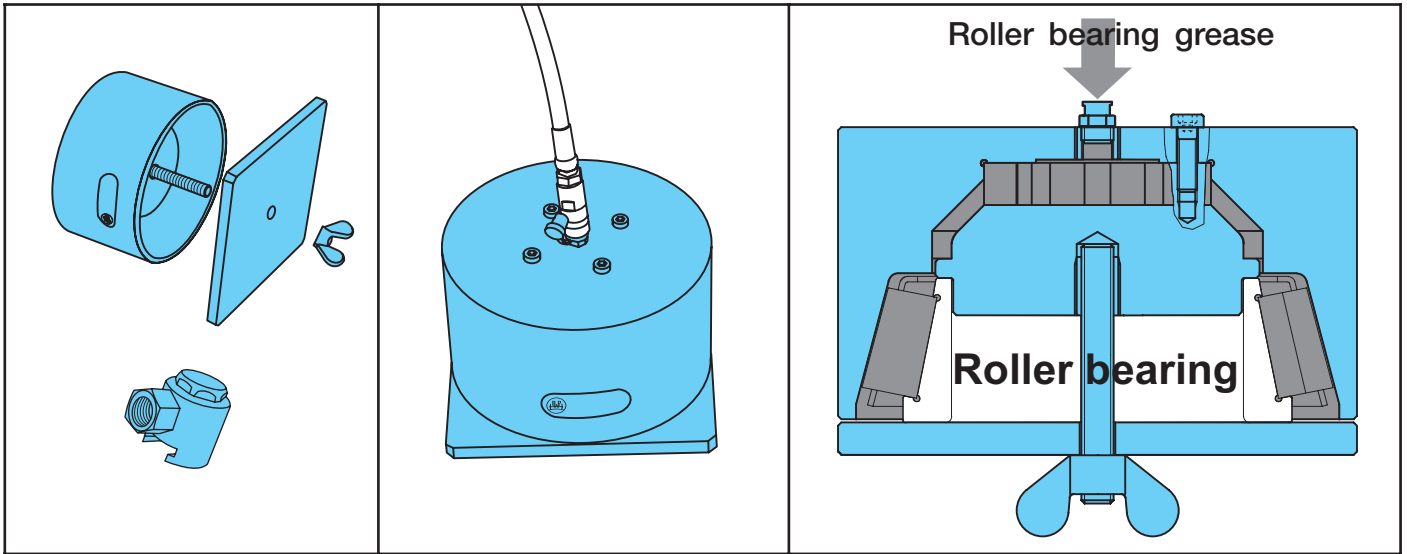
Press tool		suitable for taper roller bearing	Ø	BPW Code no.
	For pressing in the outer rings of roller bearings	32212	102	15.001.20052
		32316	157	15.002.20052
		32314	138	15.003.20052
		32309	90	15.004.20052
		32310	100	15.005.20052
		32224	202	15.006.20052
		32222	188	15.007.20052
		32219	160	15.008.20052
		33209	79	15.009.20052
		33208	74	15.010.20052
		33118 / 33217	142	15.011.20052
		33116	123	15.012.20052
		33213	113	15.013.20052
		33215	123	15.014.20052
Press tool		to fit bearing race	Ø	BPW Code no.
	For pressing in ECO/ECO ^{Plus} hub seal bearing races	02.5683.62.00	139	16.005.22111
		02.5683.63.00	159	16.014.22111
		02.5683.80.00	157	16.020.22111

Drawing tool for taper roller bearings / Exciter ring assembly aid



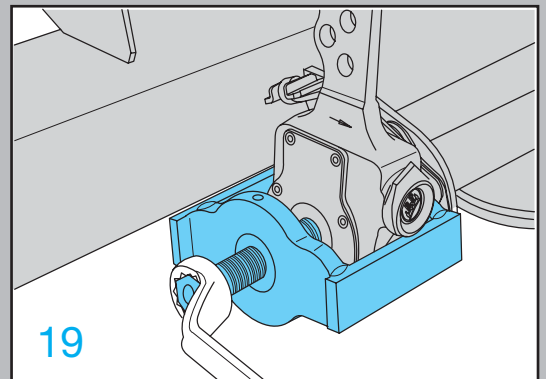
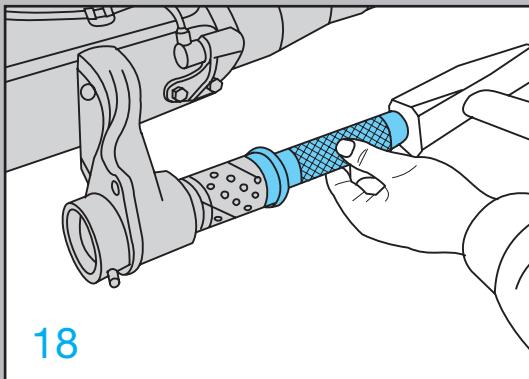
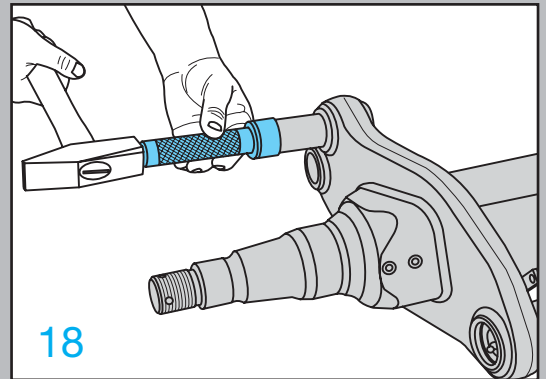
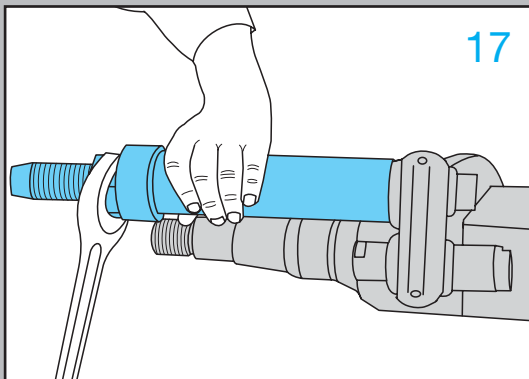
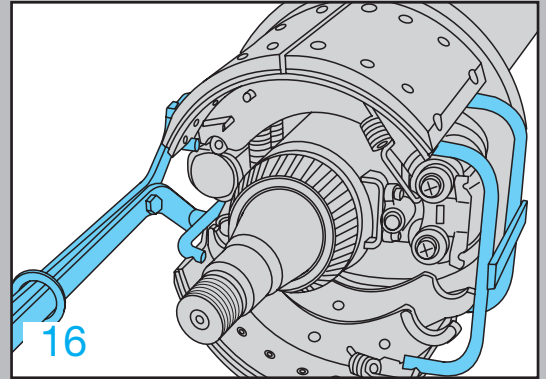
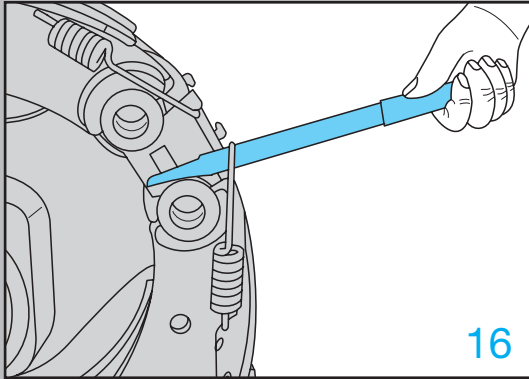
Drawing tool for taper roller bearings with thrust ring	for axle type	BPW Code no.
	all types 6.5 - 14 t	02.0125.10.00
Exciter ring assembly aid	for axle type	BPW Code no.
	ECO ^{Plus} 8 - 9 t	16.020.22953

Grease sprays for greasing roller bearings



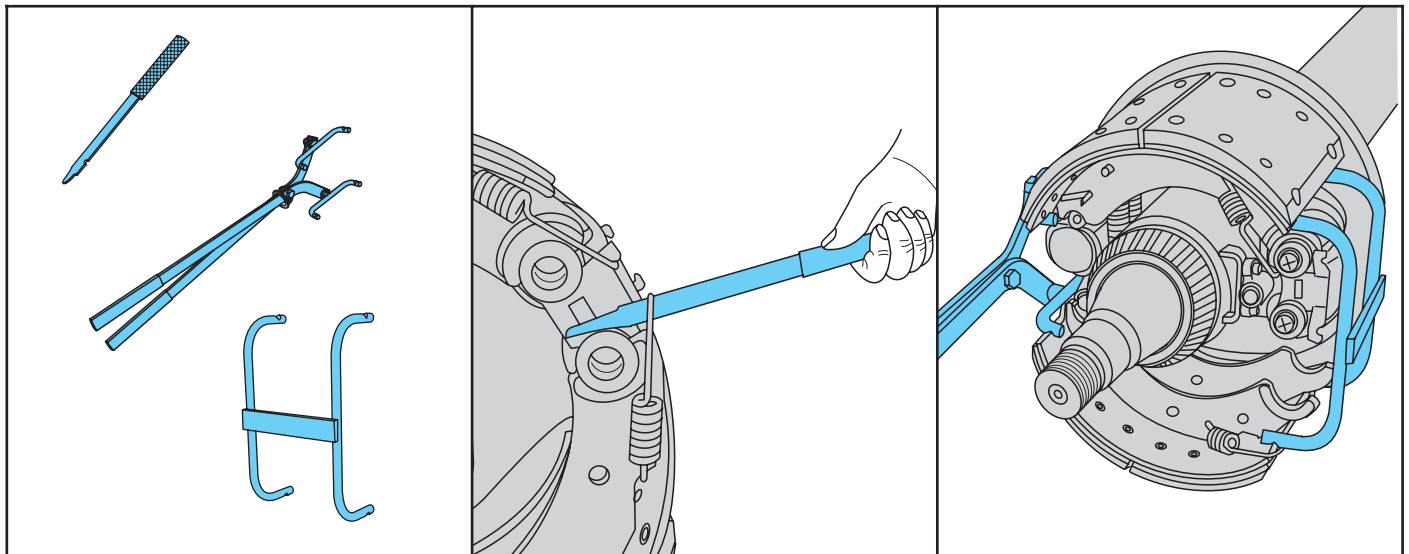
Grease spray	for taper roller bearing	BPW Code no. grease spray	BPW Code no. loose complete Set
	33116	16.076.22935	99.00.000.9.54
	32310	16.072.22935	
	33118	16.062.22935	99.00.000.9.55
	33213	16.068.22935	
Complete set including adapter for flat grease nipple			
Adapter for flat grease nipple			BPW Code no.
			15.069.22935

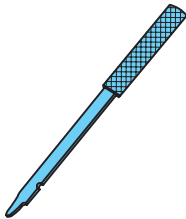
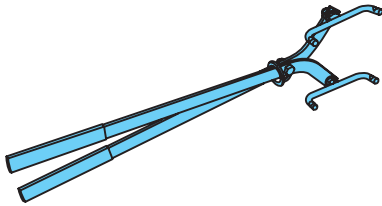
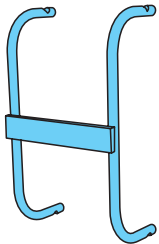
Tools for drum brakes



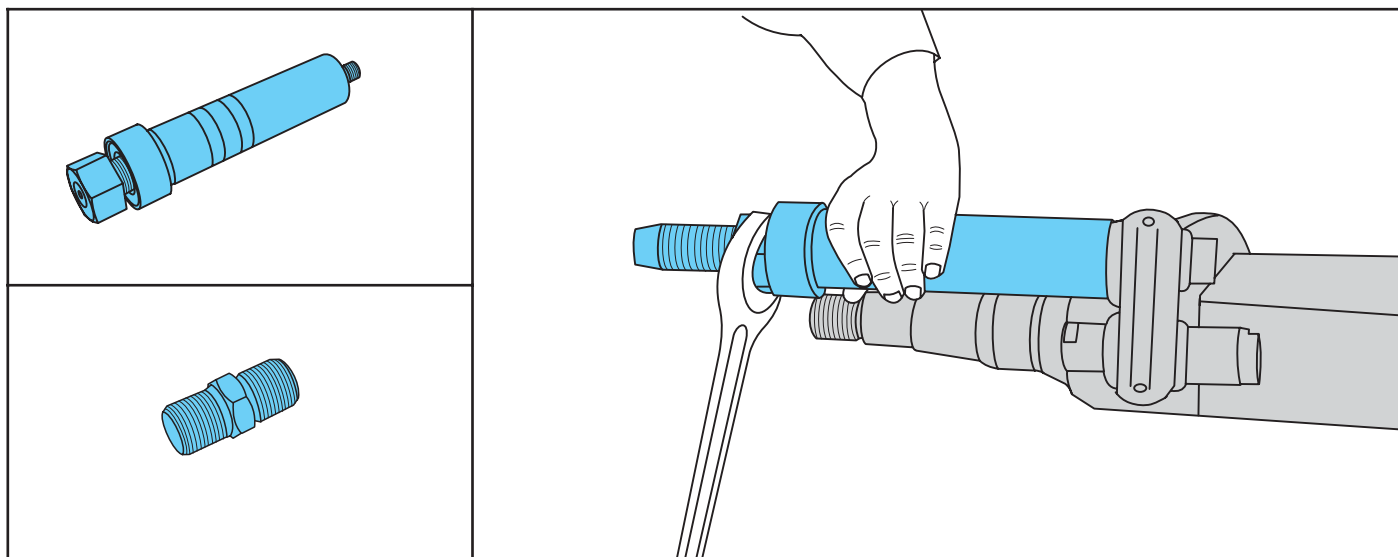
BPW Special tools and calibration equipment

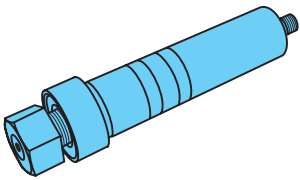
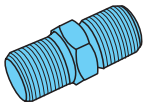
Lever, spring plies, spreader for fitting brake shoes



Lever	Brake	BPW Code no.
	SN 300 SN 360 SN 420	03.190.46.03.0
Spring plier	Brake	BPW Code no.
	SN 300 Year of manufacture 1990 - 1995, brake camshafts with double bonding	05.001.26.01.0
Spreader	Brake	BPW Code no.
	SN 300 Year of manufacture 1990 - 1995, brake camshafts with double bonding	05.114.75.01.0

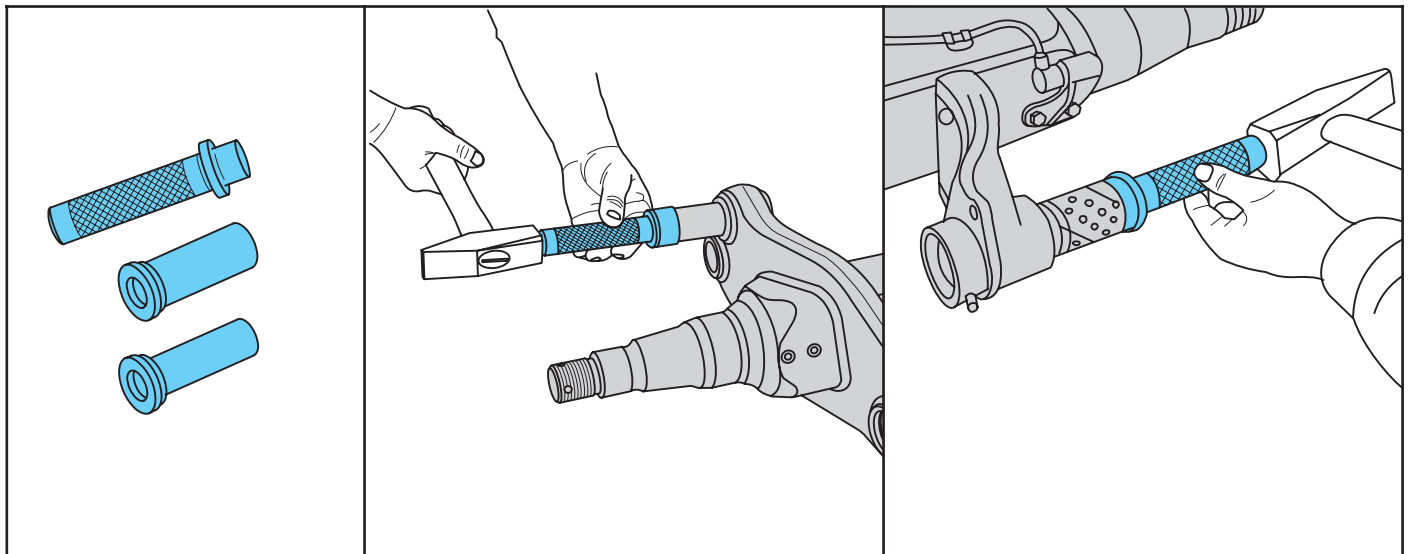
Drawing tool for brake pins



Drawing tool complete		BPW Code no.
	with threaded inset M 20x1.5 / M 20x1.5	05.001.05.02.0
Threaded inset		BPW Code no.
	Thread	
	M 20x1.5 / M 16x1.5	02.1210.01.00
	M 20x1.5 / M 20x1.5	02.1210.02.00

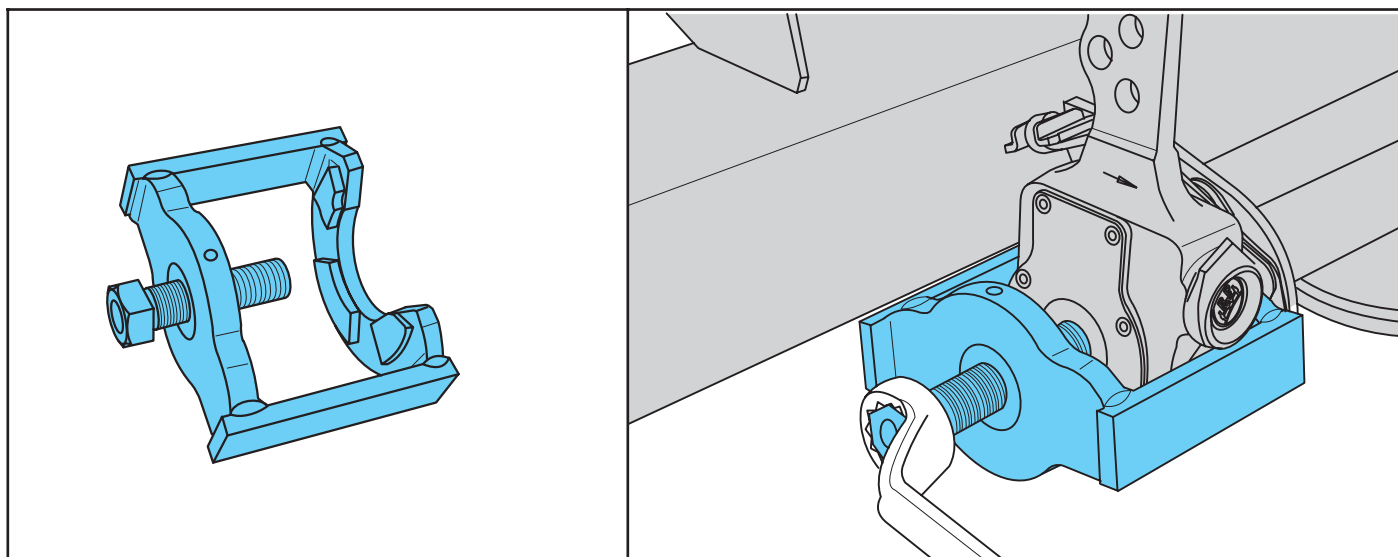
BPW Special tools and calibration equipment

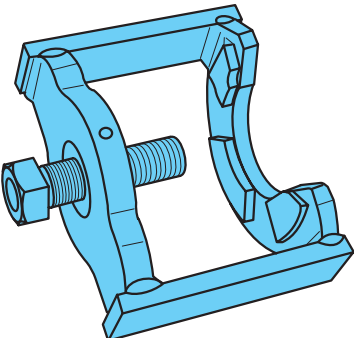
Driving mandrel for bearing bushes on brake pins and brake cam shaft



Driving mandrel complete		BPW Code no.
		05.001.04.04.0
Driving mandrel		BPW Code no.
	Ø 36	03.084.17.02.0
	Ø 42	03.084.17.01.0
Handle		BPW Code no.
		02.0619.02.00

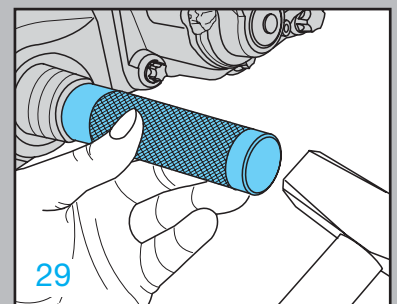
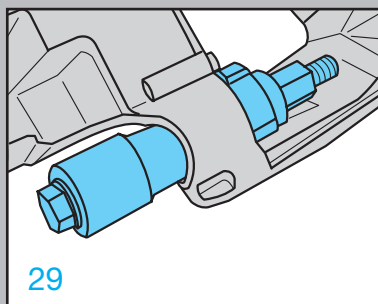
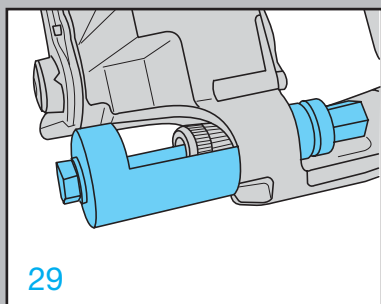
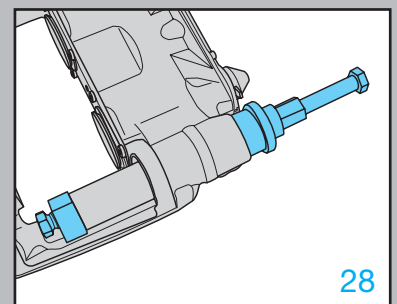
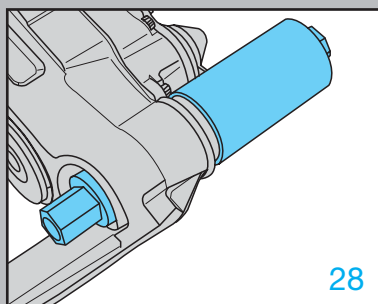
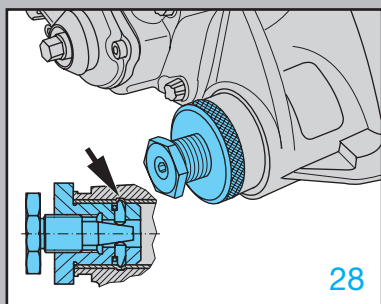
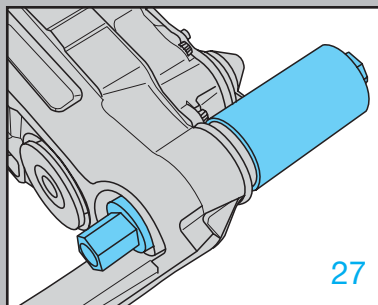
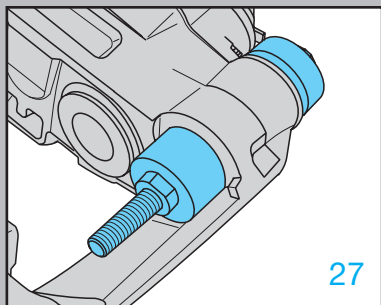
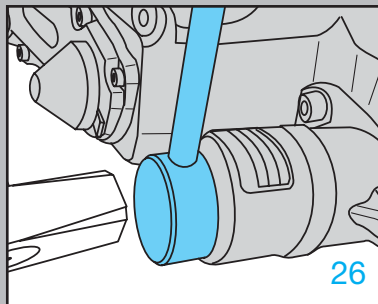
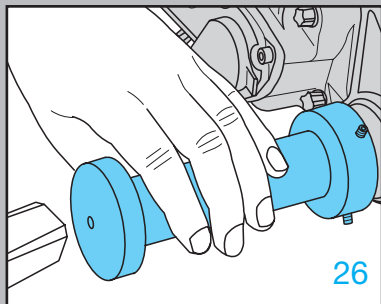
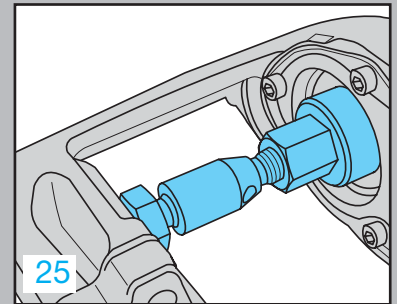
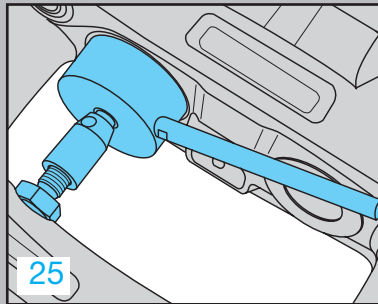
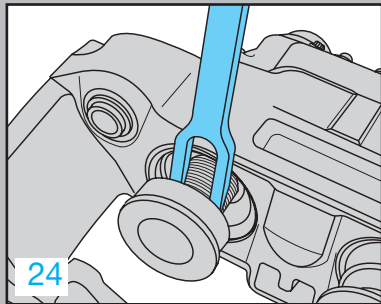
Pulling device for slack adjusters



Pulling device	BPW Code no.	
	for GSK / AGS	02.4306.15.00

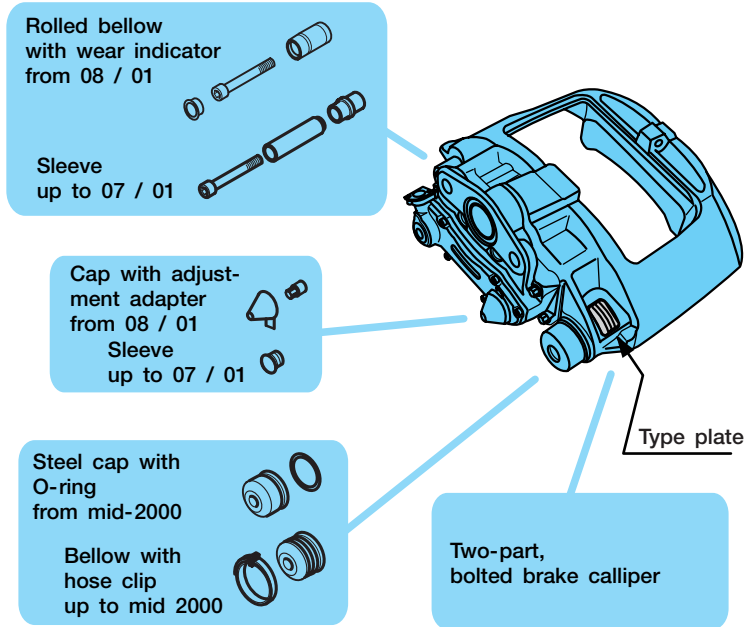
Notices

Tools for the overhaul of BPW disc brakes



Tools for the overhaul of BPW disc brakes

Features of the conventional disc brake



BPW Code no.

KNORR Code no.

SB 3745

05.362.70.16.0 / 17.0
 05.362.70.22.0 / 23.0
 05.362.70.22.1 / 23.1
 05.362.70.22.2 / 23.2
 05.362.70.26.0 / 27.0
 05.362.70.26.1 / 27.1
 05.362.70.26.2 / 27.2
 05.362.70.28.0 / 29.0

II 39046F / II 390047F
 II 39048F / II 39049F
 K 000584 / K 000585
 II 39266F / II 39267F
 Z 0017671 / Z 0017672
 K 000115 / K 000116
 II 39485 FMI / II 39484 FMI

SB 4345

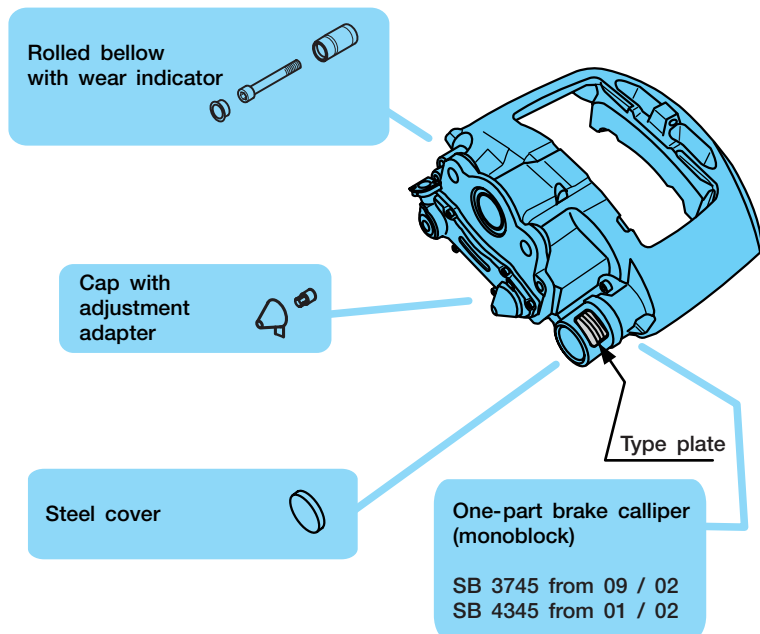
05.362.70.01.0 / 02.0
 05.362.70.12.0 / 13.0
 05.362.70.24.0 / 25.0

II 19728 / II 19727
 K 000136 / K 000137
 K 000720 / K 000719

General

Pos.	Work stage	Tool name	BPW code no. conventional brake (up to 2002)	Knorr code no.
1	Disassembling thrust pieces with bellows	Pulling fork	02.0130.42.00	II 32202
2	Fitting thrust pieces with bellows	Pressing tool for thrust piece with bellow	02.0130.39.00	II 19252
3	Pressing in inner secondary seal	Pressing tool for secondary seal	-	
4	Replacing brake calliper Fitting fixed bearing cover cap	Assembly tool for cap	02.0130.57.00	Z 001105
5	Inserting inner bellow, fixed bearing	Inserter for inner bellow	02.0130.40.00	II 19253
6	Extracting and inserting brass bush, fixed bearing	Assembly tool for brass bush	02.0130.41.00	II 19254
7	Caulking brass bush	Caulking tool for brass bush	02.0130.52.00	II 36797
8	Extracting and inserting bush, movable bearing	Inserter / extractor for guide sleeve / movable bearing	02.0130.59.00	Z 004198
9	Replacing brake caliper Fitting cover cap, movable bearing	Pressing tool for cap	02.0130.58.00	Z 003934

Features of the monoblock disc brake



BPW Code no.

KNORR Code no.

SB 3745

05.362.70.30.0 / 31.0
05.362.70.36.0 / 37.0

K 000869 / K 000868
K 001117 / K 001118

SB 3745 T

05.362.70.60.0 / 61.0
05.362.70.66.0 / 67.0

K 001546 / K 001545
K 002516 / K 002515

SB 4309 T

05.362.70.62.0 / 63.0
05.362.70.70.0 / 71.0

K 001909 / K 001908
K 003454 / K 003453

SB 4345

05.362.70.34.0 / 35.0
05.362.70.38.0 / 39.0
05.362.70.42.0 / 43.0

K 001051 / K 001052
K 000871 / K 000870
K 001051 / K 001052

SB 4345 T

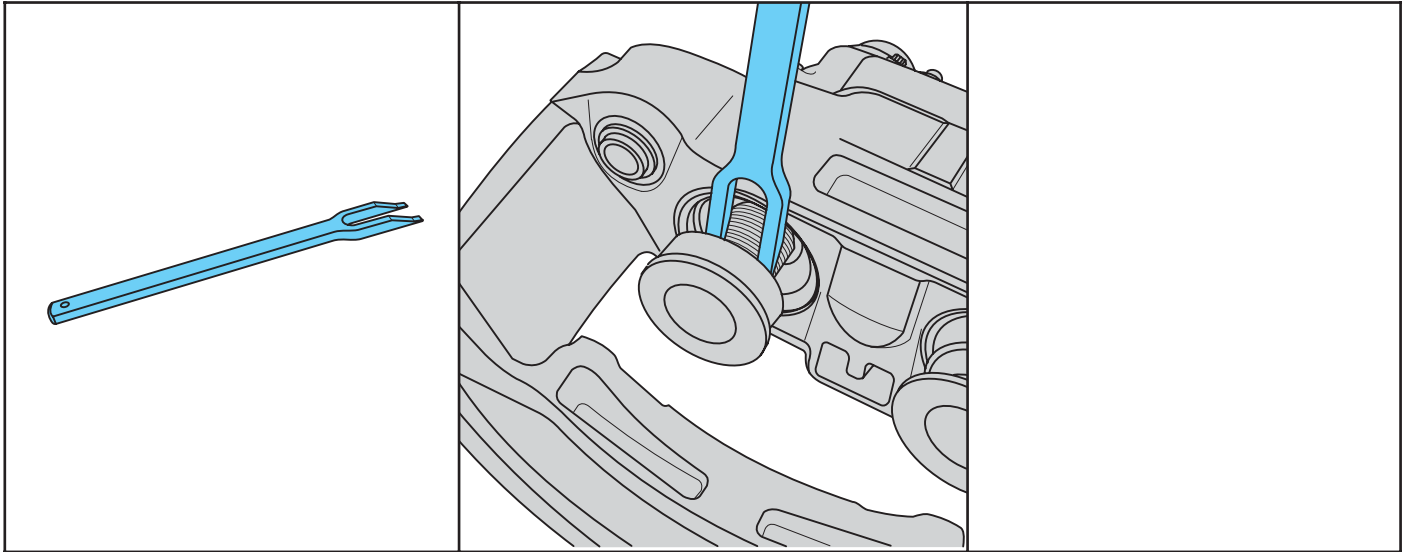
05.362.70.64.0 / 65.0
05.362.70.68.0 / 69.0

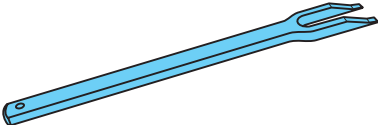
K 002247 / K 002246
K 002518 / K 002517

BPW code no. Monoblock brake	Knorr code no.	Tool component parts e.g. T 15 = stamped part number	Illustration page
02.0130.42.00	II 32202	T 15	24
02.0130.62.00	Z 004353 (Z 004190)	T 1, T 2, T 3, T 4	25
02.0130.66.00	Z 004361	T 3, T 4, T 9	25
02.0130.65.00	Z 004197	T 2, T 17	26
02.0130.63.00	Z 004357	T 7, T 8, T 10, T 23	27
02.0130.64.00	Z 004354	T 8, T 12, T 13, T 14, T 16, T 23	27 / 28
			27 / 28
02.0130.59.00	Z 004198	T 5, T 6, T 18, T 19, T 20, T 21, T 22, T 23	29
02.0130.58.00	Z 003934	T 11	29

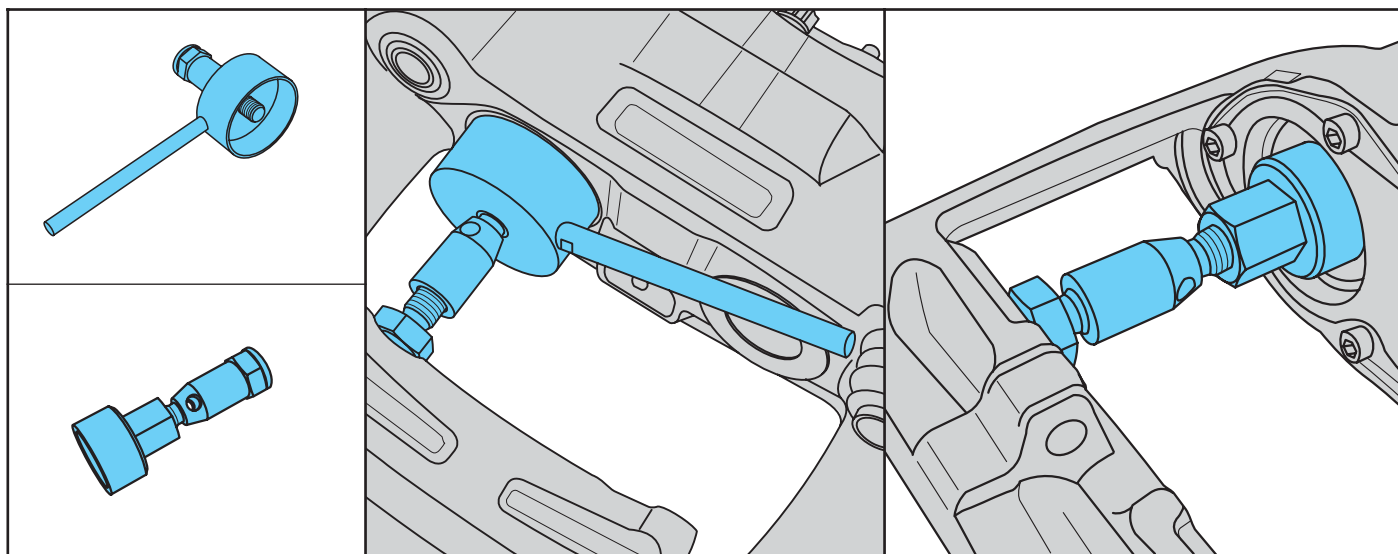
BPW Special tools and calibration equipment

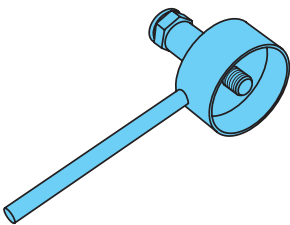
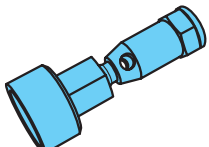
Tools for the overhaul of BPW disc brakes



Pulling fork for thrust pieces with bellows	Brake execution	BPW Code no.
	Conventional + Monoblock brake	02.0130.42.00

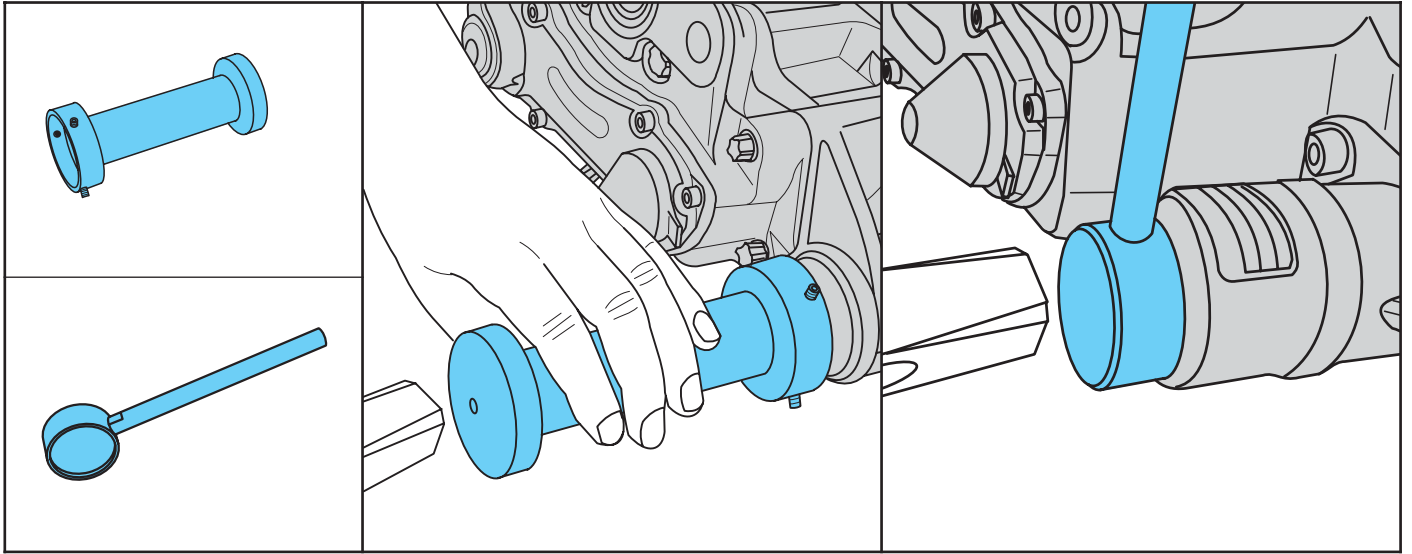
Tools for the overhaul of BPW disc brakes

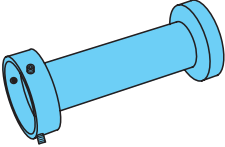
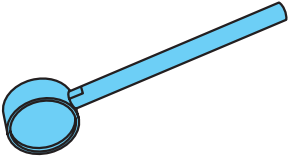


Pressing tool for thrust piece with bellow	Brake execution	BPW Code no.
	Conventional brake	02.0130.39.00
	Monoblock brake	02.0130.62.00
Pressing tool for secondary seal	Brake execution	BPW Code no.
	Conventional brake	-
	Monoblock brake	02.0130.66.00

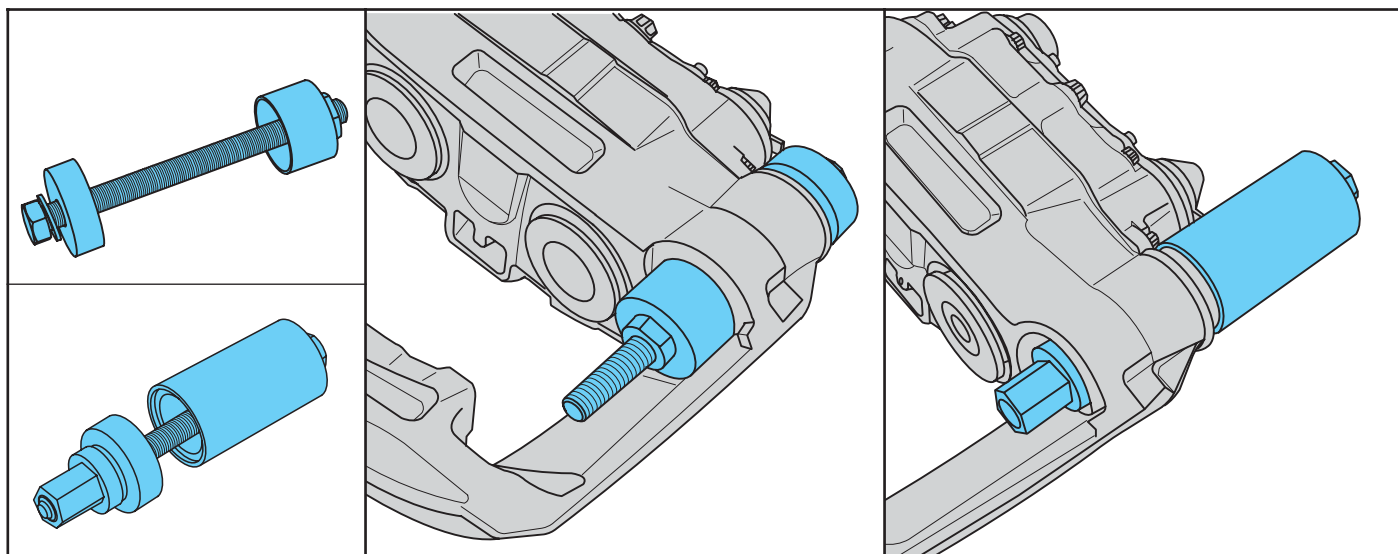
BPW Special tools and calibration equipment

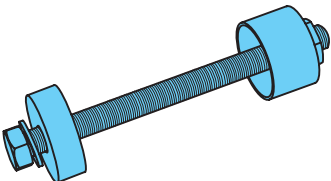
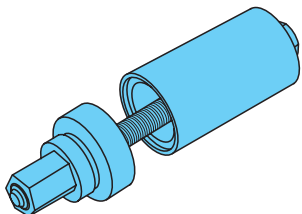
Tools for the overhaul of BPW disc brakes



Assembly and disassembly tool for cap	Brake execution	BPW Code no.
	Conventional brake	02.0130.57.00
Assembly tool for cap	Brake execution	BPW Code no.
	Monoblock brake	02.0130.65.00

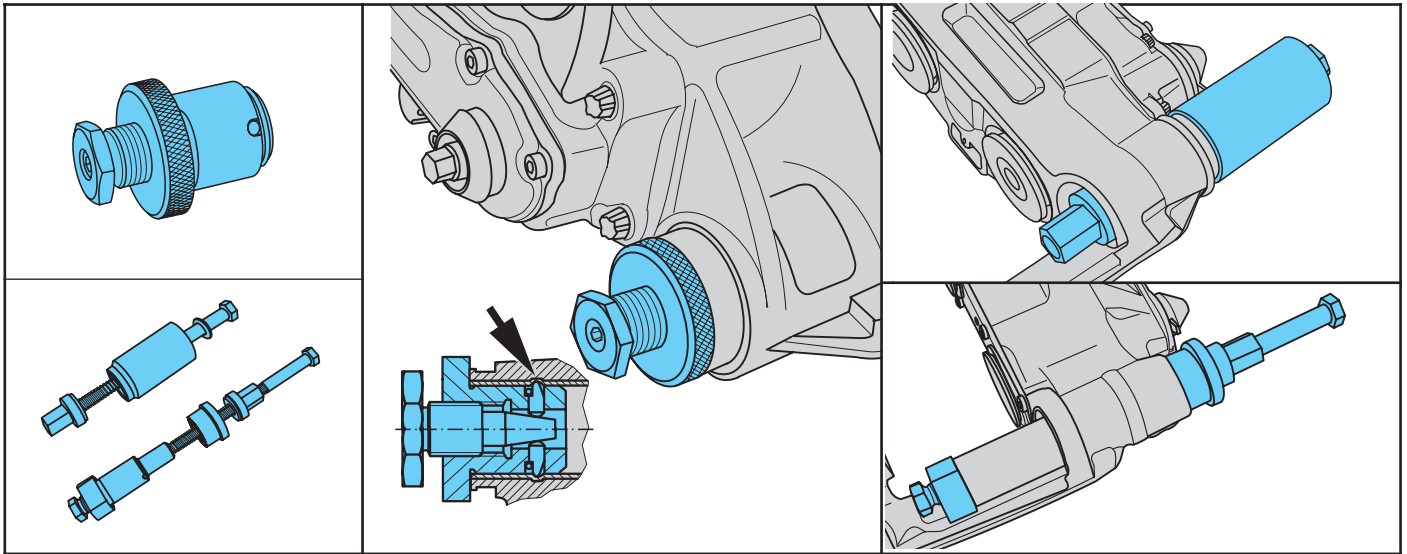
Tools for the overhaul of BPW disc brakes

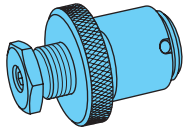
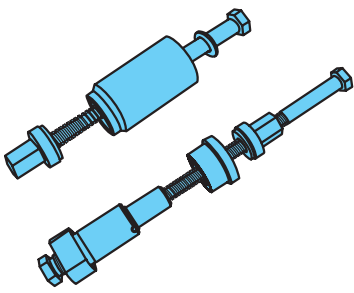


Inserter for inner bellow	Brake execution	BPW Code no.
	Conventional brake	02.0130.40.00
	Monoblock brake	02.0130.63.00
Assembly tool for brass bush	Brake execution	BPW Code no.
	Conventional brake	02.0130.41.00

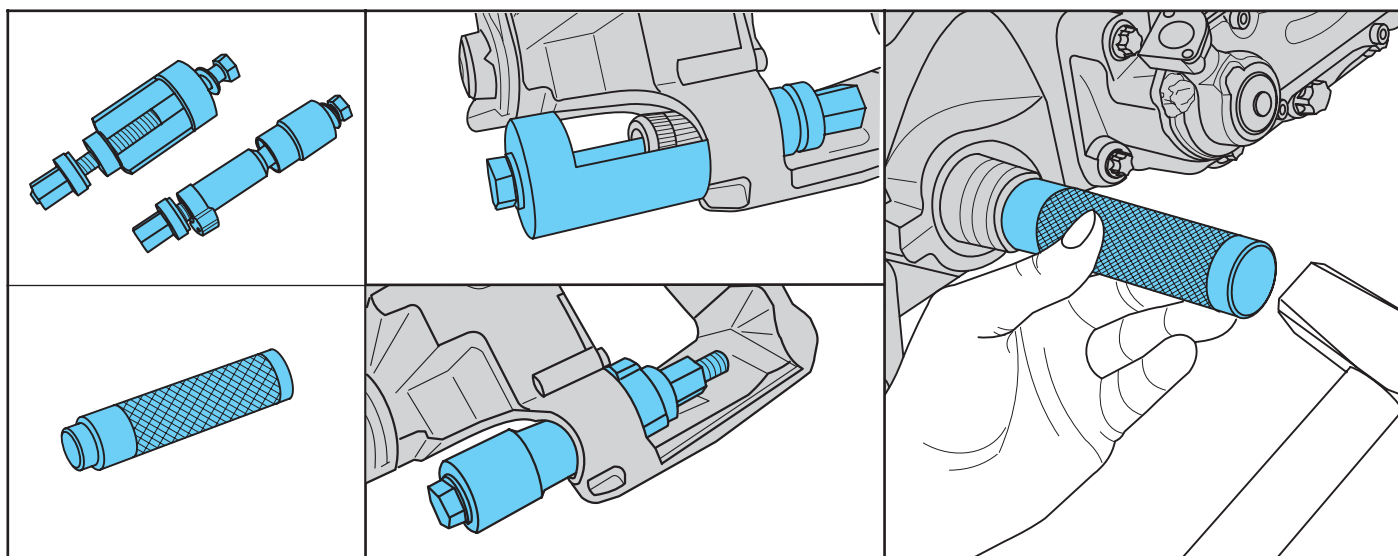
BPW Special tools and calibration equipment

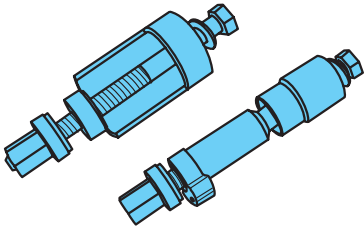
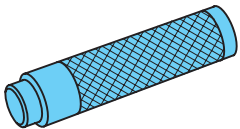
Tools for the overhaul of BPW disc brakes



Caulking tool for brass bush	Brake execution	BPW Code no.
	Conventional brake	02.0130.52.00
Assembly and disassembly tool, caulking tool for brass bush	Brake execution	BPW Code no.
	Monoblock brake	02.0130.64.00

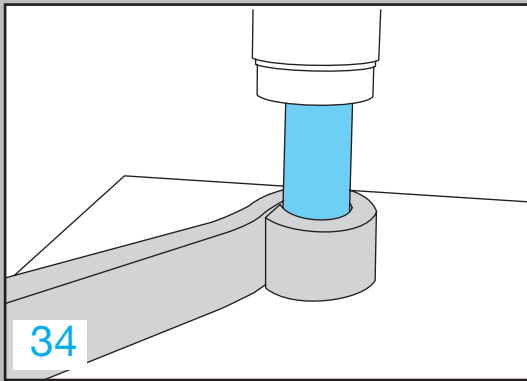
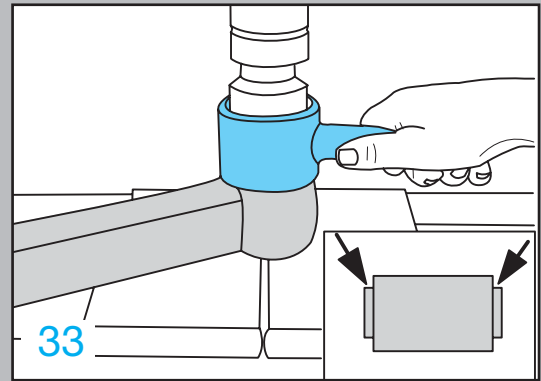
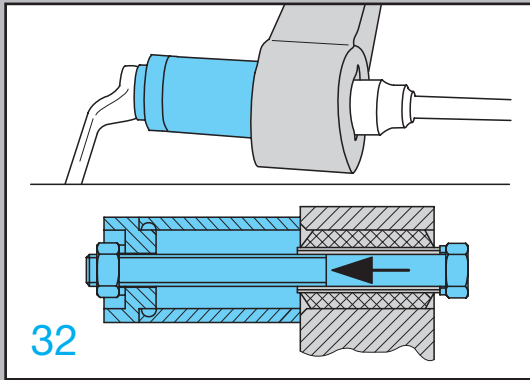
Tools for the overhaul of BPW disc brakes



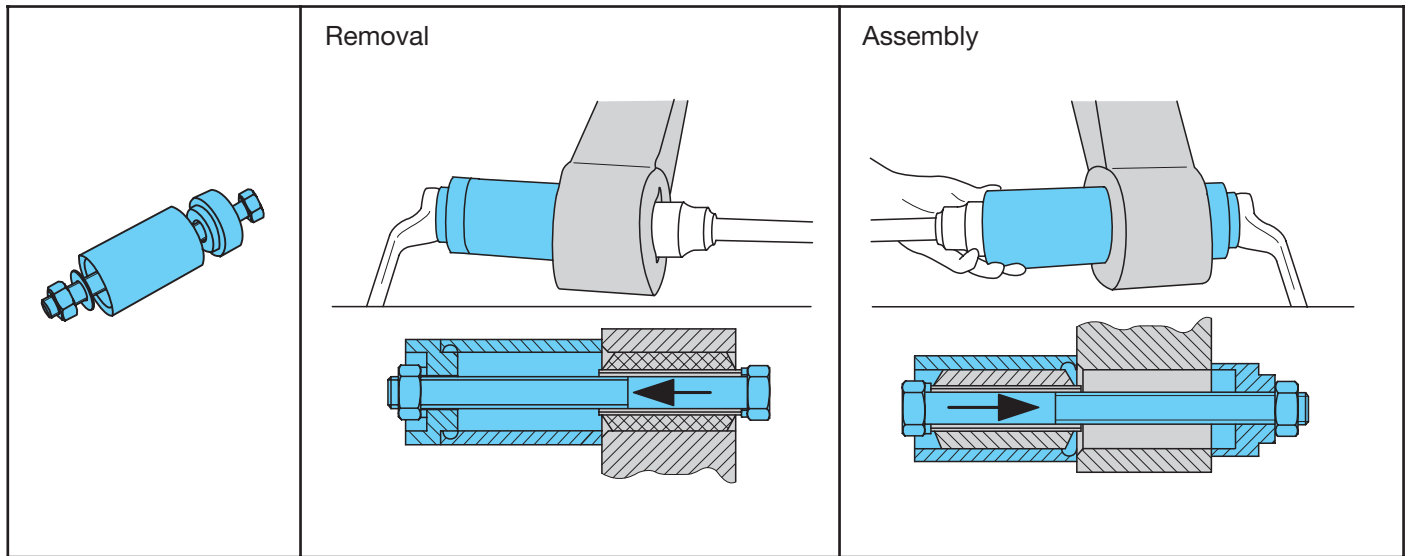
Inserter / extractor for guide sleeve / movable bearing	Brake execution	BPW Code no.
	Conventional + Monoblock brake	02.0130.59.00
Pressing tool for cap	Brake execution	BPW Code no.
	Conventional + Monoblock brake	02.0130.58.00

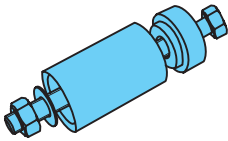
Notices

Tools for air suspension and mechanical suspension

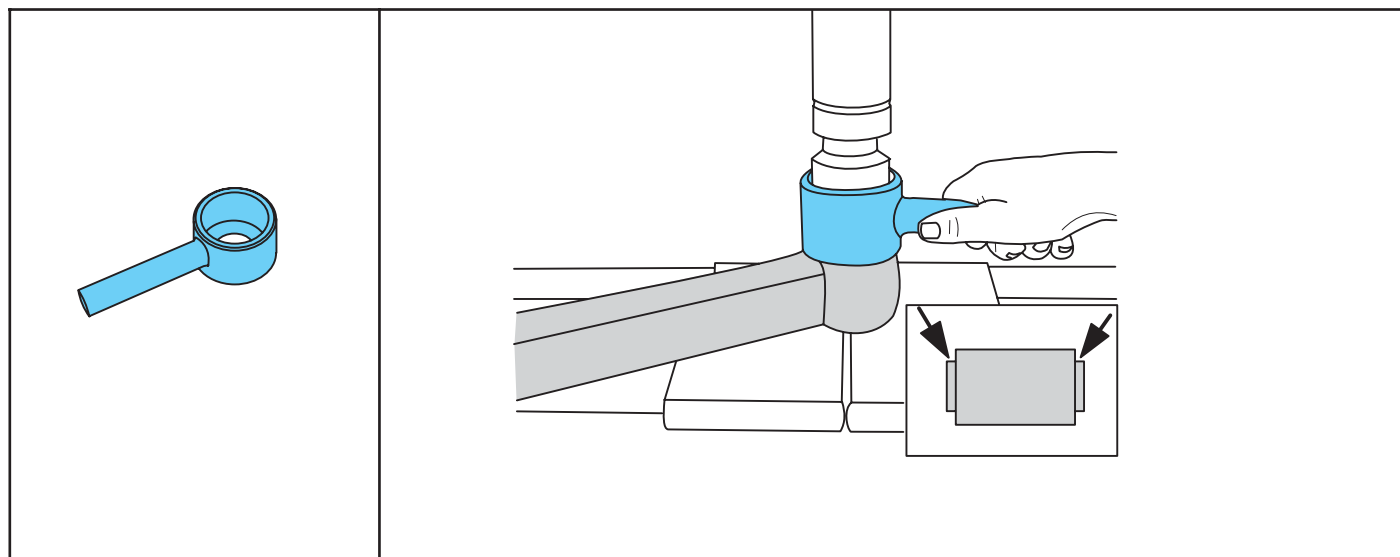


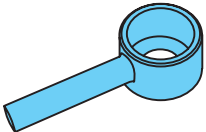
Tools for rubber-steel bushes



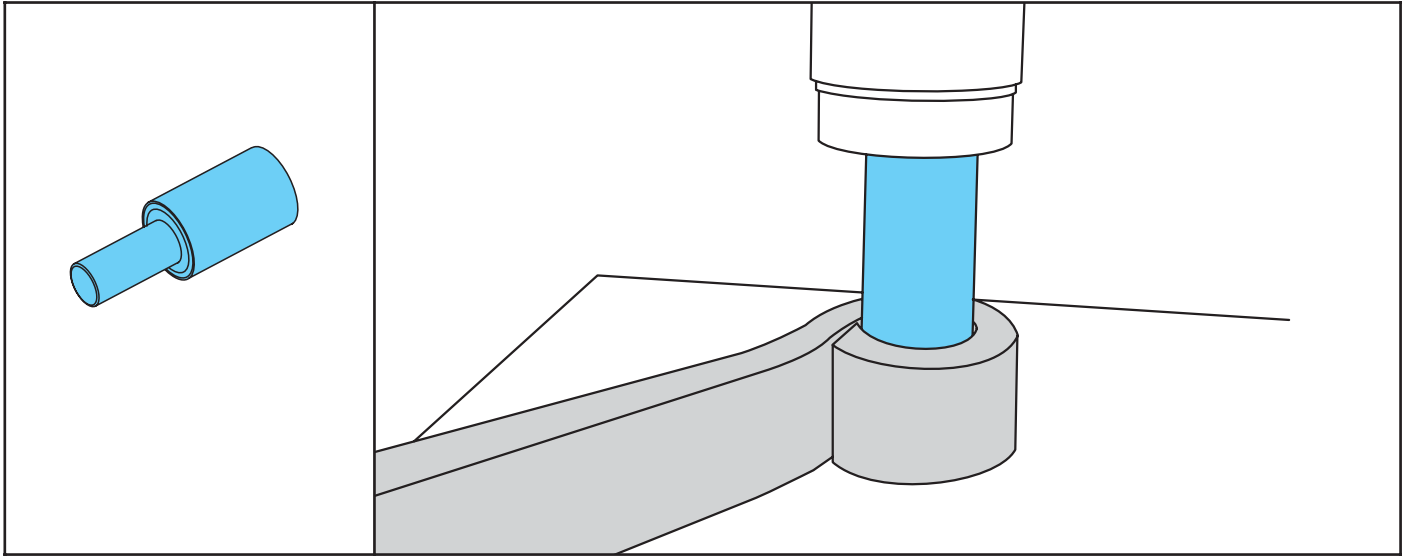
Tool		for Ø rubber-steel bush	BPW Code no.
	<p>For manual assembly and removal of rubber-steel bushes belonging to torque arms (VB suspensions), U-stabilizers and square beam stabilizers.</p>	<p>Ø 50 - 60 mm</p>	<p>14.825.11744</p>

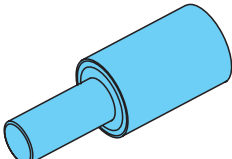
Tools for rubber-steel bushes



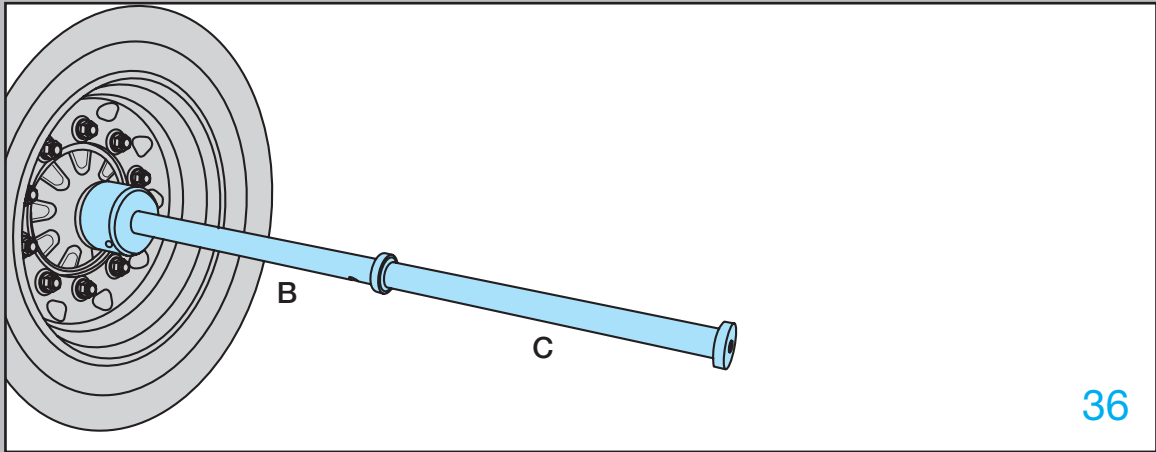
Tool		for Ø rubber-steel bush	BPW Code no.
	For pressing-in of rubber-steel bushes	Ø 50 mm	15.001.19433
		Ø 52.6 mm	15.002.19433
		Ø 60 mm	15.003.19433
		Ø 66 mm	15.004.19433
		Ø 85 mm	15.005.19433
		Ø 89.6 mm	15.008.19433
		Ø 100 mm	15.006.19433
		Ø 107 mm	15.007.19433

Tools for steel-rubber-steel bushes

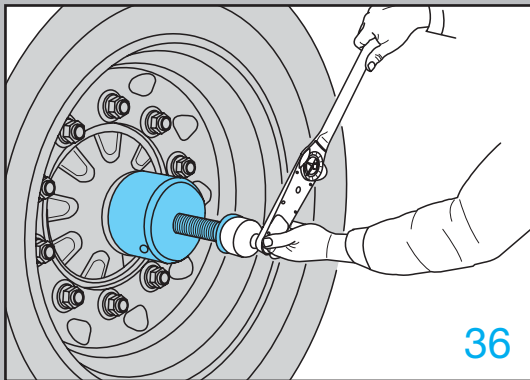


Tool		BPW Code no.
	For assembly and disassembly of steel-rubber-steel bushes in trailing arms with a press.	03.084.37.10.0

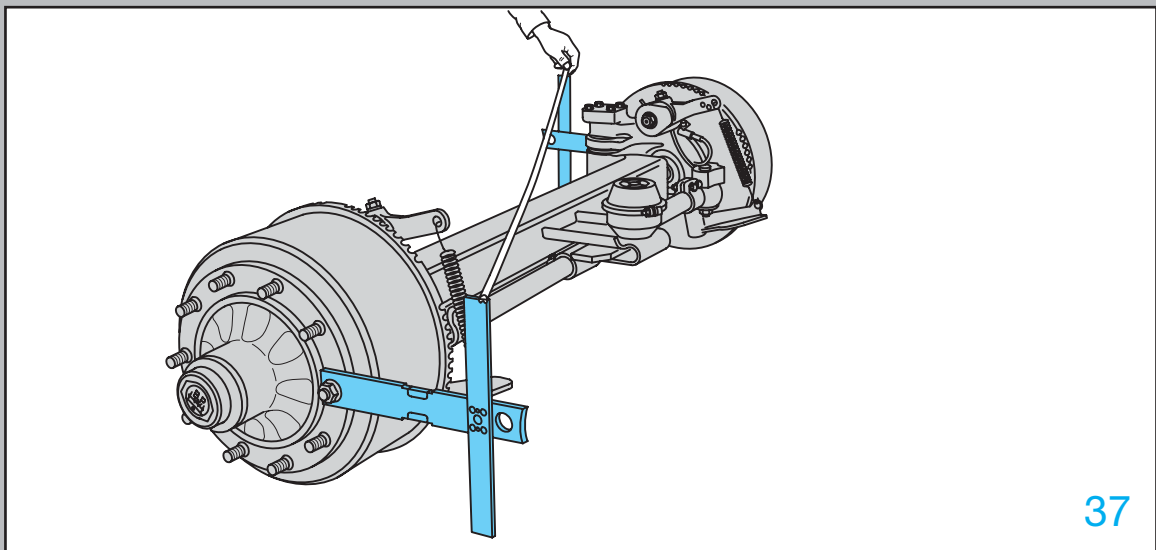
Calibration equipment



36

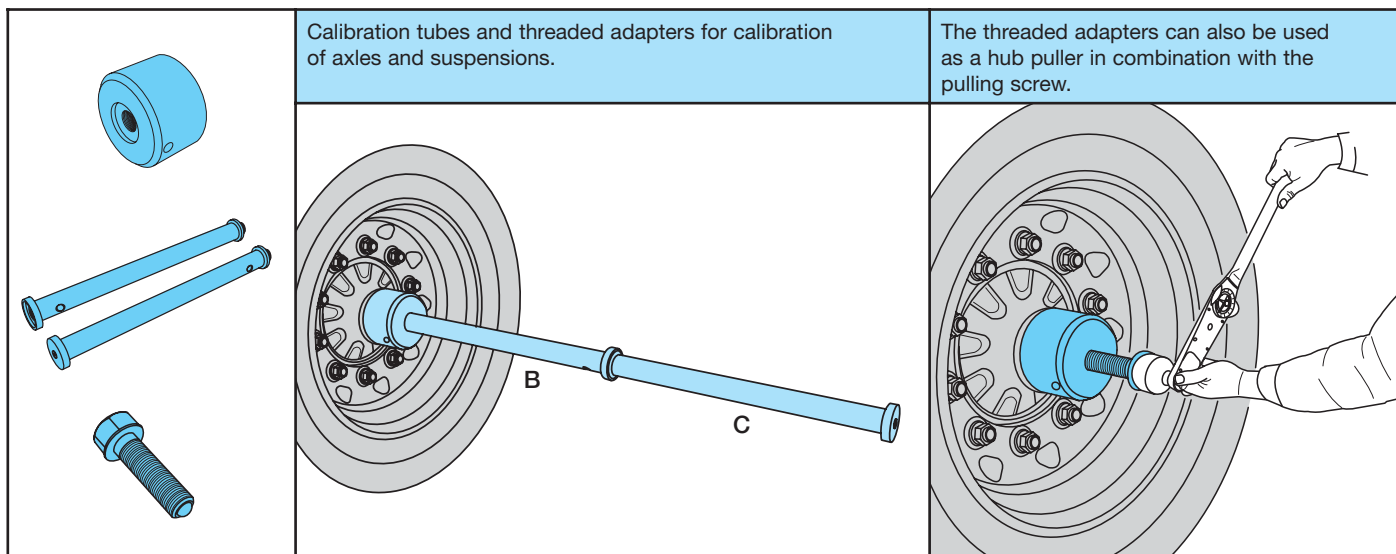


36



37

Threaded adapters and calibration tubes

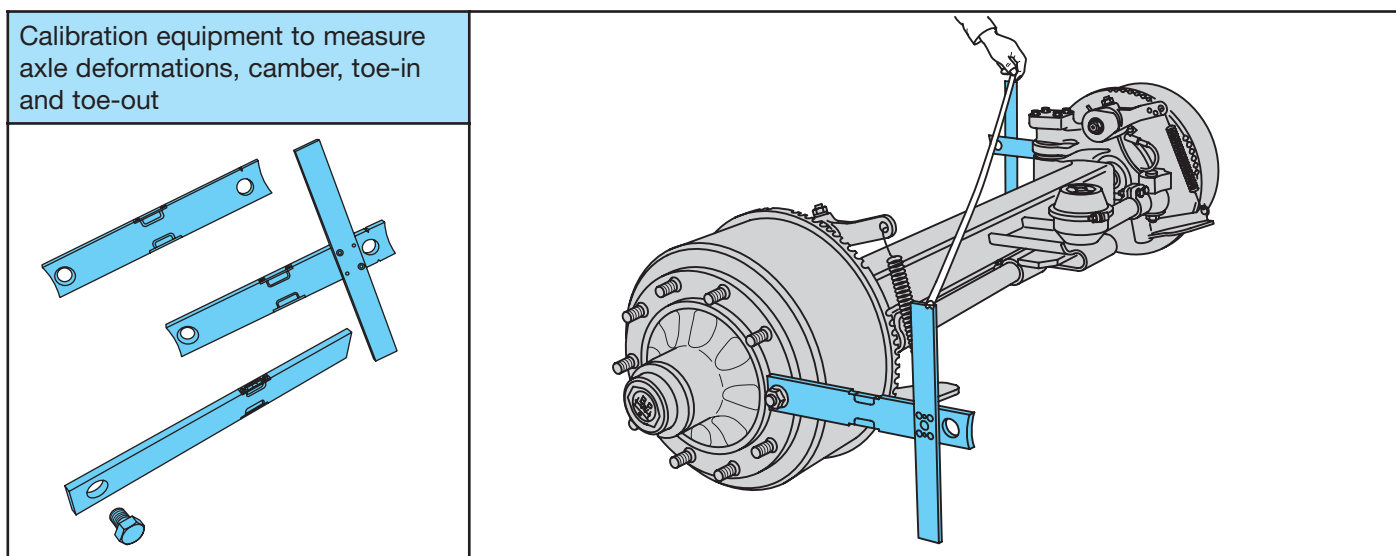


Calibration tubes and threaded adapters for calibration of axles and suspensions.

The threaded adapters can also be used as a hub puller in combination with the pulling screw.

Threaded adapter	for axle type	Thread	BPW Code no.	
	EH.. 6 t	M 105 x 3	15.007.01609	
	H.. / K.. / N.. Conv. 6,5 - 9 t	M 115 x 2	15.013.01609	
	EH.. 6,5 - 9 t	M 115 x 3	16.009.01609	
	H.. / K.. / N.. Conv. 10 - 12 t	M 125 x 2	15.014.01609	
	H.. / K.. / N.. ECO 6,5 - 9 t	M 125 x 2	15.020.01609	
	EH.. 10 - 12 t	M 125 x 3	16.011.01609	
	H.. / K.. / N.. ECO 10 - 12 t (old)	M 135 x 2	15.021.01609	
	ECO ^{Plus} 8 - 12 t / ECO 10 t (new)	M 136 x 2,5	15.023.01609	
	H.. / K.. / N.. Conv. 13 - 14 t	M 135 x 3	15.012.01609	
H.. 16 - 18 t	M 155 x 3	16.008.01609		
Calibration tube	Execution	Thread	L	BPW Code no.
	B	2 x M 30 x 1,5,	L = 620	15.001.01609
	C	1 x M 30 x 1,5,	L = 620	15.005.01609
Pulling screw		Thread		BPW Code no.
		M 30 x 1,5		16.031.01609

Calibration equipment



Calibration equipment (2 items) for wheel hubs		BPW Code no.
	<p>For measuring trailer axles</p> <p>Refer to according workshop manual for method of measurement.</p>	<p>99.00.000.7.05</p>
Calibration equipment (2 items) for wheel hubs		BPW Code no.
	<p>For measuring trailer axles and steering axles</p> <p>Refer to according workshop manual for method of measurement.</p>	<p>99.00.000.7.75</p>
Calibration equipment (2 items with screws) for TRILEX wheels and spider wheels		BPW Code no.
	<p>Measure device for TRILEX can only be used together with threaded adaptors (refer page 36).</p> <p>Refer to according workshop manual for method of measurement.</p>	<p>99.00.000.7.70</p>

Notices



BPW-WP-06/1 e

