



CALIPER REPAIR KITS

CATALOGUE



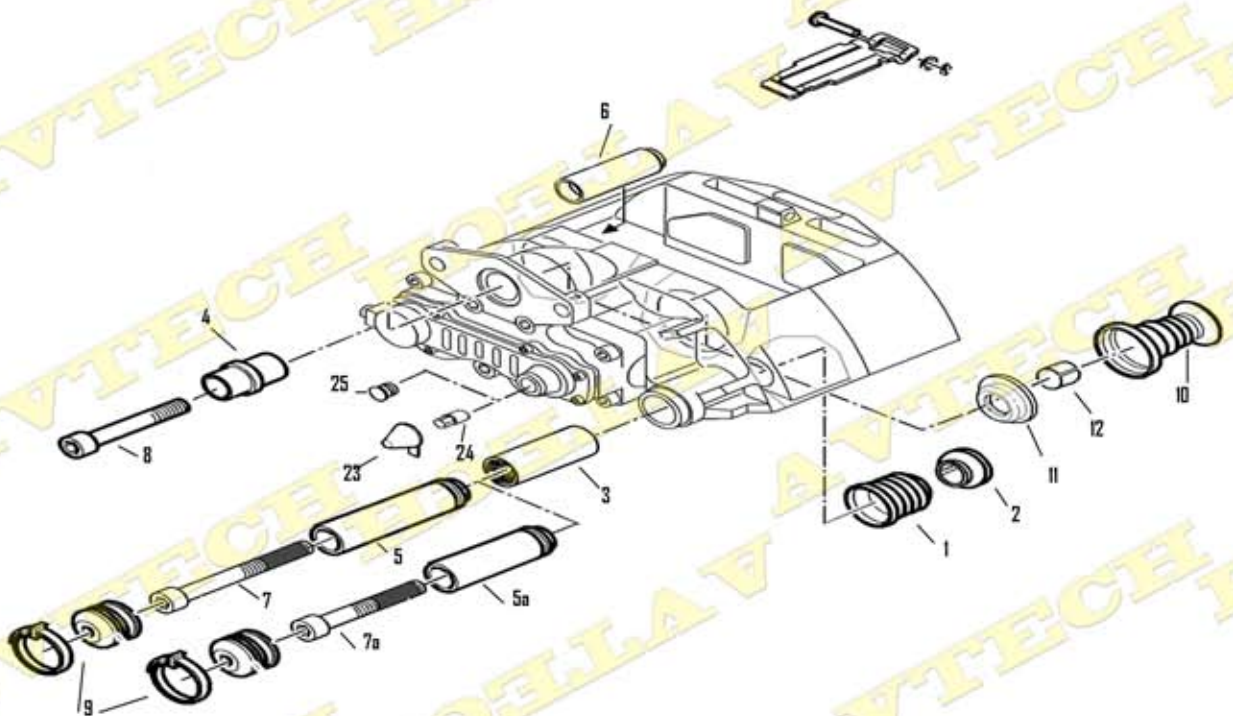
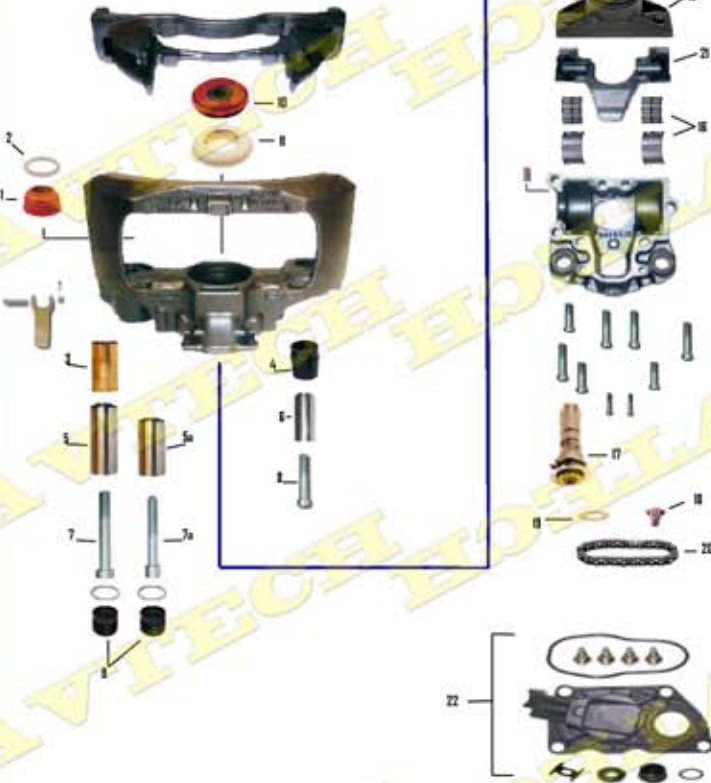
CALLIPER

RERAIR KITS

KNORR	_____	03 - 28
DX 195	_____	29 - 32
MERITOR	_____	33 - 92
WABCO	_____	93 - 102
HALDEX	_____	103 - 105


WWW.ATRIY.PL


TAPE SB 5



K0001	
11328090062/1139769F0062/ 11350470062/11339680062	
GUIDES & SEALS 1, 2, 3, 4, 5, 6, 7, 8, 9	

K0068	
CALIPER CALIBRATION BOLT (3 THREAD)	
13	

K0002	
GEAR WHEEL ADJ MECHANISM	
19	

K0014	
11368470064	
GUIDE & BUSH 4, 6	

K0003	
11328090061	
GUIDE SEALS & BOOT 1,2,9	

K0088	
RUBBER BUSH	
4	

K0060	
K000132	
CALIPER PIN REPAIR KIT 1,2,3,4,5,5a,6,7a,8,9	

K0016	
11368470064/K000698	
GUIDE & BUSH 4,6,8	

K0008	
PINION SHAFT	
18	

W0004	
HALF BEARINGS	
16	

K0011	
CHAIN (12 LINK)	
20	

K0025	
PLASTIC COVER	
22	

K0038

MBA110

CAPS & PAD RETAINER
PINS

23, 24, 25

**K0084**ADJUSTING MECHANISM
SHAFT

17, 19

**K0050**

K000944/11304130065

TAPPETS

10, 11, 12

**K0097**

CALIPER PIN & BOOT SET

1, 2, 4, 9 10, 11, 12

**K0090**

CALIPER PIN BOOT SET

1, 2

**K0111**

BUSH

3

**K0055**

CAP SET

23, 24, 25

**K0110**

SHAFT HOUSING

14, 15

**K0089**

11304130065

CALIPER TAPPET SET

1, 10, 12

**K0039**

Z001548

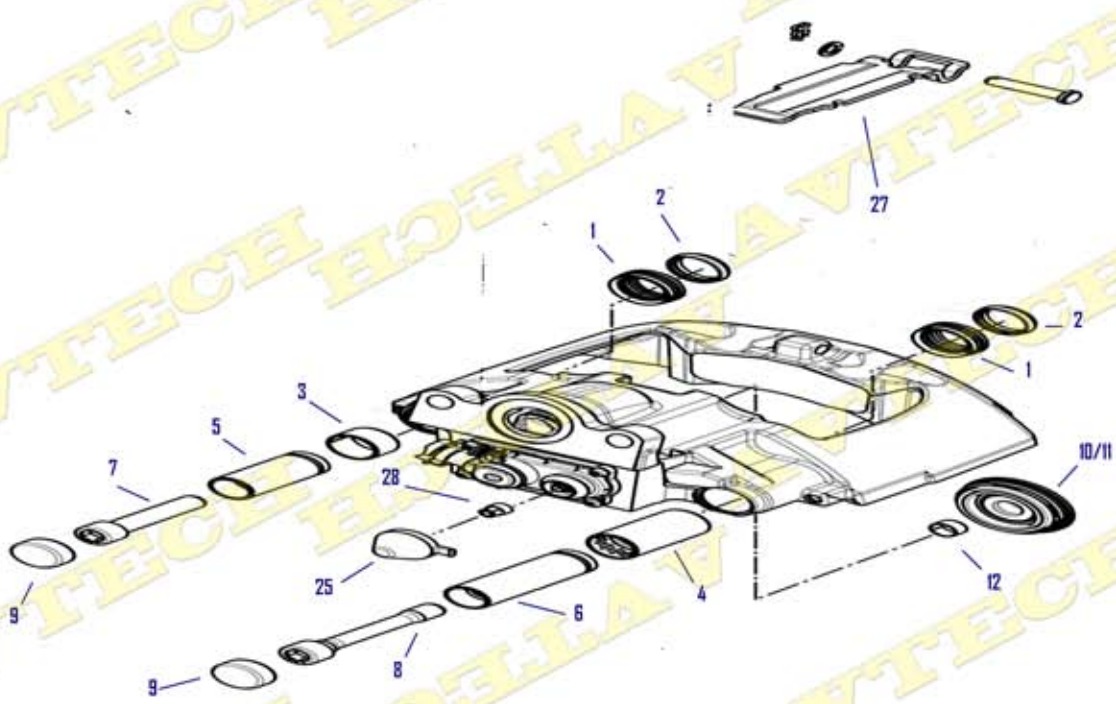
TOP HEXAGONAL NUT FOR
GROOVED ADJ MECHAN.

24

**K0000****K0000**

WWW.ATRIY.PL

TAPE SN 5



K0033

II4025IF

**CALIPER CALIBRATION
SHAFT CHAIN 14 LINK**

20


K0086
**CALIPER SENSOR COVER
(PLASTIC)**

22


K0069

K001929

**CALIPER TAPPET & BOOT
SET**

10, 11, 12


K0087
SHAFT HOUSING

14, 15


K0070

K001928

CALIPER PIN REPAIR KIT

1, 2, 3, 4, 5, 6, 7, 8, 9


K0103
PINION SHAFT

18, 19


W0004
HALF BEARINGS

16


K0062

K000029

CAP SET

24, 25


K0084
**ADJUSTING MECHANISM
SHAFT**

17, 19


K0002
**GEAR WHEEL ADJ
MECHANISM**

19


K0068
**CALIPER CALIBRATION
BOLT (3 THREAD)**

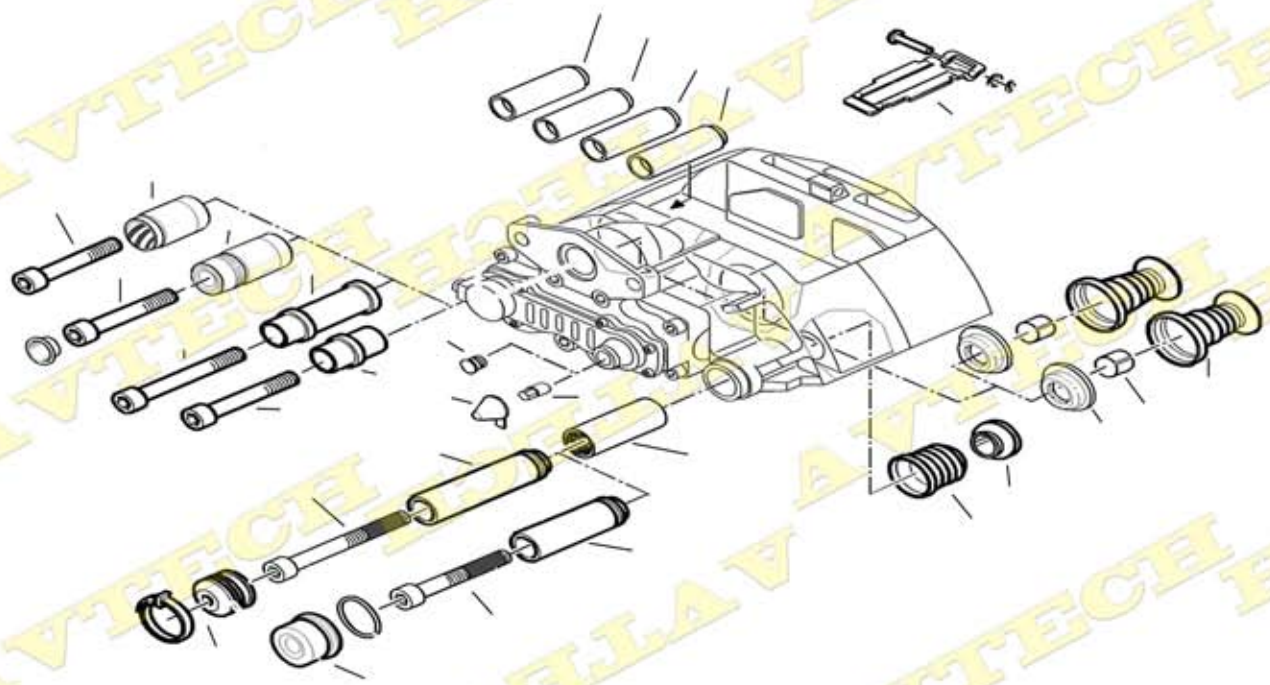
13


K0000

TAPE SB 6



TAPE SB 7





KNORR

WWW.ATRIY.PL

K0001	
11328090062/1139769F0062/ 11350470062/11339680062	
GUIDES & SEALS	
1, 2, 3, 4, 5, 6, 7, 8, 9	

K0012	
GUIDE & BUSH (35 MM)	
4a, 6a	

K0002	
GEAR WHEEL ADJ MECHANISM	
19	

K0013	
K000697	
GUIDE & BUSH (39MM)	
4b, 6b	

K0004	
PINION SHAFT	
18	

K0014	
11368470064	
GUIDE & BUSH	
4, 6	

K0118	
PLASTIC GEAR SHAFT	


K0015	
K000698	
GUIDE BUSH DIA (35MM) SCREW & SEAL	
4a, 6a, 8a	

K0096	
ADJUSTING MECHANISM ADAPTER	
24	

K0016	
11368470064/K000698	
GUIDE & BUSH + 1 SCREW	
4, 6, 8	

K0009	
CHAIN	
20	

K0017	
ROLLER BEARING	
16	

K0019	
LEVER BEARING	
26	

K0038	
MBA110	
CAPS & PAD RETAINER PINS	
23, 24, 25	

K0064	
0004202282	
CALIPER PIN REPAIR KIT (SHORT BUSH)	
1, 2, 3, 4, 4b, 5, 5a, 6, 6b, 7, 7a, 8, 8b, 9a	

K0039	
Z001548	
TOP HEXAGONAL NUT FOR GROOVED ADJ MECHANISM	
24 (10 PCS)	

K0021	
PLASTIC COVER	
22	


K0046	
K000375	
GUIDES & SEALS (39MM)	
1, 2, 3, 4b, 5a, 6a, 8a, 9a	

K0026	
BRIDGE ASSY	
13, 15	

K0050	
K000944/11304130065	
TAPPETS	
10, 11, 12	

K0032	
SCREWS	
25	

K0052	
K001301	
OUTER BOOT & STEEL CAPS	
9, 9a	

K0036	
1119712004/1130679004	
PAD RETAINER	
27	

K0053	
K001532	
GUIDES & SEALS (35MM)	
1, 2, 3, 4a, 5a, 6a, 8a, 9a	



K0055	
K000945	
CAP SET	
24, 25, 28	

K0037	
11310370066/K000696/ K004218	
CALIPER LONG PIN REPAIR KIT	
1, 2, 3, 5a, 7a, 9a	

K0057	
OVERHAUL	
1, 2, 3, 9, 9a, 10, 11, 12, 24, 25	

K0066	
K000935	
CALIPER LONG PIN REPAIR KIT	
1, 2, 3, 5, 7, 9	

K0058	
GUIDE & SEALS (39MM)	
4a, 5a, 6a, 7a, 8a	

K0068	
CALIPER CALIBRATION BOLT (3 THREAD)	
13	

K0059	
CALIPER PIN REPAIR KIT	
1, 2, 3, 4, 5a, 6, 9	

K0071	
SHAFT HOUSING	
15	

K0060	
K000132	
CALIPER PIN REPAIR KIT	
1, 2, 3, 4, 5a, 6, 7a, 8, 9	

K0074	
CALIPER REPAIR SET (WITH K0029)	
10, 11, 12, 13, 15, 16, 18, 19, 20, 21a	

K0061	
ADJUSTING MECHANISM SHAFT	
17	

K0088	
RUBBER BUSH	
4	

K0089

11304130065

CALIPER TAPPET SET

10, 12

**K0105**

0218270600

CALIPER CAP SET

9a

**K0090**

CALIPER PIN BOOT SET

1, 2

**K0106**

CALIPER PIN & BOOT SET

1, 2, 3 4, 9, 9a, 10, 11, 12

**K0092**CALIPER PIN RUBBER
BUSH - (LONG) (39MM)

4b

**K0111**

BUSH

3

**K0097**

CALIPER BOOT SET

1, 2, 4, 9, 10, 12

**K0003**

11328090061

GUIDE SEALS & BOOT

1, 2, 9

**K0010**GUIDE, BUSH DIA 39MM
SCREW & SEAL

4b, 6b, 8b

**K0114**CALIPER SHORT PIN
REPAIR KIT

4b, 6b, 8b

**K0028**CALIPER LEVER STRAIGHT
(ANGLE D) (SB 7)

21

**K0029**CALIPER LEVER STRAIGHT
(ANGLE D) (SB 6)

21a



K0082	
K000687	
CALIPER PIN REPAIR KIT (SHORT BUSH) 1, 2, 3, 4b, 5, 6, 7, 8, 9	

K0085	
11179320062/11328090062/ 11339680062/11350470062	
CALIPER PIN REPAIR KIT 1, 2, 3, 4c, 5a, 6c, 7c 8c, 9	

K0108	
1139769F0062/ K002840	
CALIPER PIN REPAIR KIT 1, 2, 3, 4, 5a, 6, 7a, 8, 9a	

K0107	
CALIPER SHORT PIN REPAIR KIT	
4b, 6b	

K0093	
CALIPER PIN RUBBER BUSH - (SHORT)	
4b	

K0095	
CALIPER PIN RUBBER BUSH - (LONG) (35MM)	
4b	

K0000	

K0000	

K0000	

K0000	

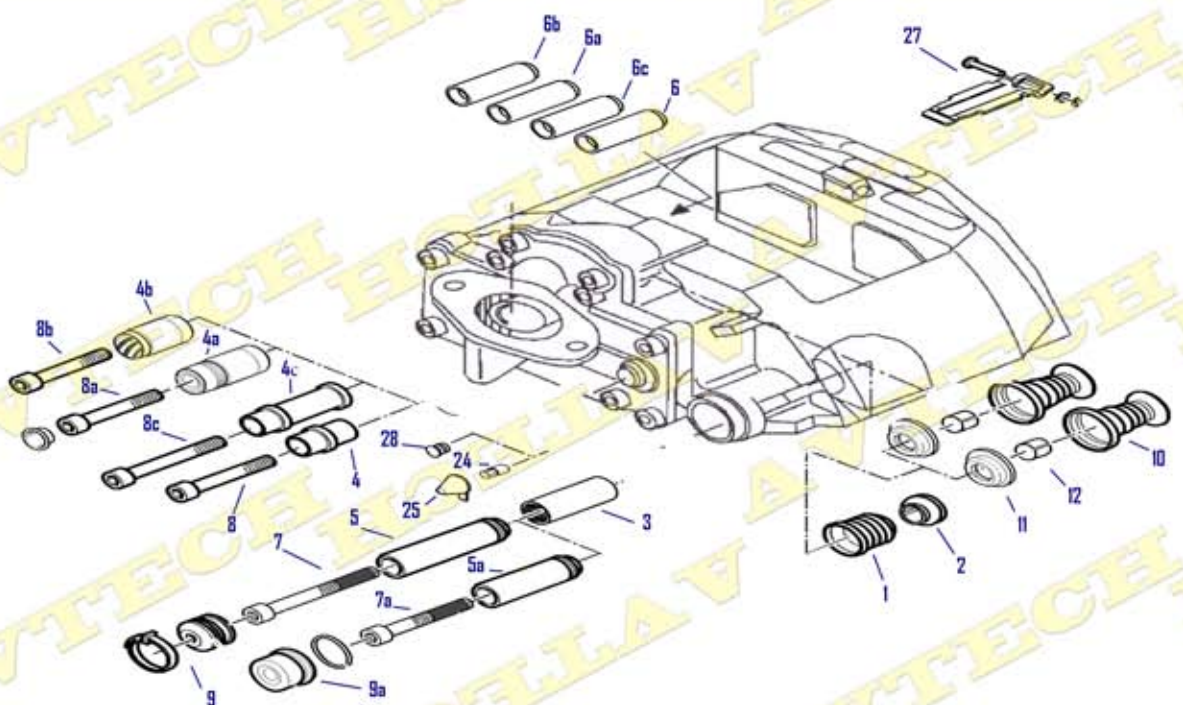
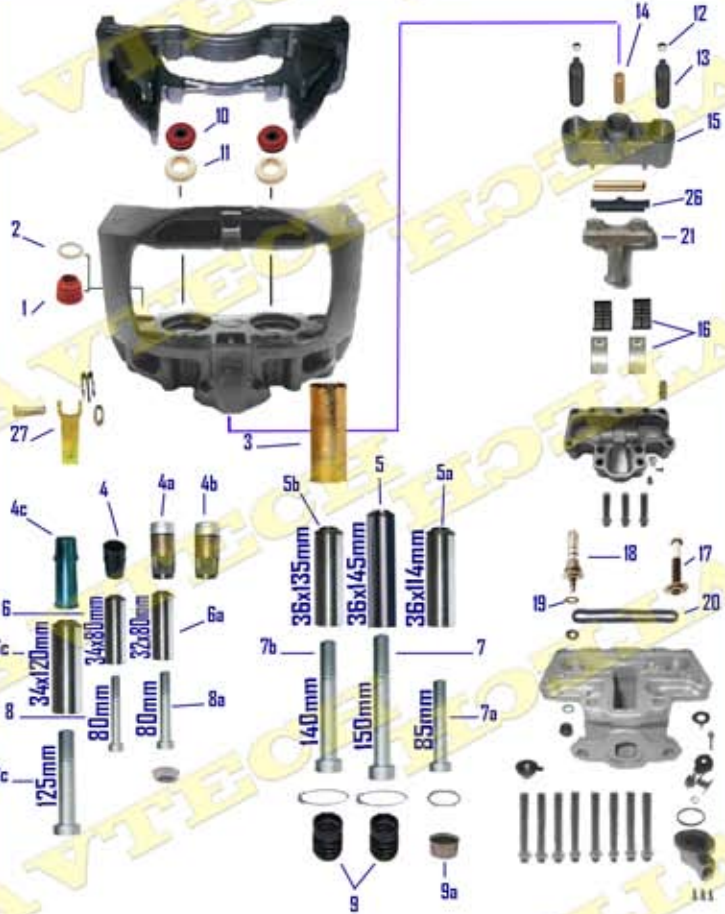
K0000	

K0000	



WWW.ATRIY.PL

TAPE SB 7 Radial





KNORR

WWW.ATRIY.PL

K0001	
11328090062/1139769F0062/ 11350470062/11339680062	
GUIDES & SEALS	
1, 2, 3, 4, 5, 6, 7, 8, 9	

K0012	
GUIDE & BUSH (35 MM)	
4a, 6a	

K0002	
GEAR WHEEL ADJ MECHANISM	
19	

K0013	
K000697	
GUIDE & BUSH (39MM)	
4b, 6b	

K0004	
PINION SHAFT	
18	

K0014	
11368470064	
GUIDE & BUSH	
4,6	

K0093	093	
CALIPER PIN RUBBER BUSH - (SHORT)		
4b		

K0015	
K000698	
GUIDE BUSH DIA (35MM) SCREW & SEAL	
4a, 6a, 8a	

K0096	
ADJUSTING MECHANISM ADAPTER	
24	

K0016	
11368470064/K000698	
GUIDE & BUSH + 1 SCREW	
4, 6, 8	

K0009	
CHAIN	
20	

K0017	
ROLLER BEARING	
16	

K0019

LEVER BEARING

26

**K0038**

MBA110

CAPS & PAD RETAINER
PINS

23, 24, 25

**K0064**

0004202282

CALIPER PIN REPAIR KIT
(SHORT BUSH)1, 2, 3, 4, 4b, 5, 5a, 6, 6b,
7, 7a, 8, 8b, 9a**K0039**

Z001548

TOP HEXAGONAL NUT FOR
GROOVED ADJ MECHANISM

24 (10 PCS)

**K0108**

1139769F0062/K002840

CALIPER PIN REPAIR KIT

1, 2, 3, 4, 5a, 6, 7a, 8, 9

**K0046**

K000375

GUIDES & SEALS (39MM)

1, 2, 3, 4b, 5a, 6a, 8a, 9a

**K0026**

BRIDGE ASSY

13, 15

**K0050**

K000944/11304130065

TAPPETS

10, 11, 12

**K0085**11179320062/11328090062/
11339680062/11350470062

CALIPER PIN REPAIR KIT

1, 2, 3, 4c, 5a, 6c, 7c, 8c,
9**K0052**

K001301

OUTER BOOT & STEEL
CAPS**K0036**

1119712004/1130679004

PAD RETAINER

27

**K0053**

K001532

GUIDES & SEALS (35MM)

1, 2, 3, 4a, 5a, 6a, 8a, 9a





K0055	
K000945	
CAP SET	
24, 25, 28	

K0037	
11310370066/K000696/ K004218	
CALIPER LONG PIN REPAIR KIT	
1, 2, 3, 5a, 7a, 9a	

K0057	
OVERHAUL	
1, 2, 3, 9, 9a, 10, 11, 12, 24, 25	

K0066	
K000935	
CALIPER LONG PIN REPAIR KIT	
1, 2, 3, 5, 7, 9	

K0058	
GUIDE & SEALS (38MM)	
4a, 5a, 6a, 7a, 8a	

K0068	
CALIPER CALIBRATION BOLT (3 THREAD)	
13	

K0059	
CALIPER PIN REPAIR KIT	
1, 2, 3, 4, 5a, 6, 9	

K0071	
SHAFT HOUSING	
15	

K0060	
K000132	
CALIPER PIN REPAIR KIT	
1, 2, 3, 4, 5a, 6, 7a, 8, 9	

K0075	
CALIPER REPAIR SET (WITH K0065)	
10, 11, 12, 13, 15, 16, 17, 18, 19, 20, 21	

K0061	
ADJUSTING MECHANISM SHAFT	
17	

K0088	
RUBBER BUSH	
4	

K0089

II304130065

CALIPER TAPPET SET

10, 12

**K0105**

0218270600

CALIPER CAP SET

9a

**K0090**

CALIPER PIN BOOT SET

1, 2

**K0106**

CALIPER PIN & BOOT SET

1, 2, 3, 4, 9, 9a, 10, 11, 12

**K0092**CALIPER PIN RUBBER
BUSH - (LONG) (39MM)

4b

**K0111**

BUSH

3

**K0097**

CALIPER BOOT SET

1, 2, 4, 9, 10, 12

**K0003**

II328090061

GUIDE SEALS & BOOT

1, 2, 9

**K0010**GUIDE, BUSH DIA 39MM
SCREW & SEAL

4b, 6b, 8b

**K0112**

CALIPER CAP SET

9a

**K0065**CALIPER LEVER STRAIGHT
(ANGLE 12)

21

**K0107**CALIPER SHORT PIN
REPAIR KIT

21a





KNORR

WWW.ATRIY.PL

K0114

CALIPER SHORT PIN
REPAIR KIT
4b, 6b, 8b



K0095

K000687

CALIPER PIN RUBBER
BUSH - (LONG)(35mm)
4b



K0082

K000687

CALIPER PIN REPAIR KIT
1, 2, 3, 4b, 5, 6, 7, 8, 9



K0000

K0000

K0000

K0000

K0000

K0000

K0000

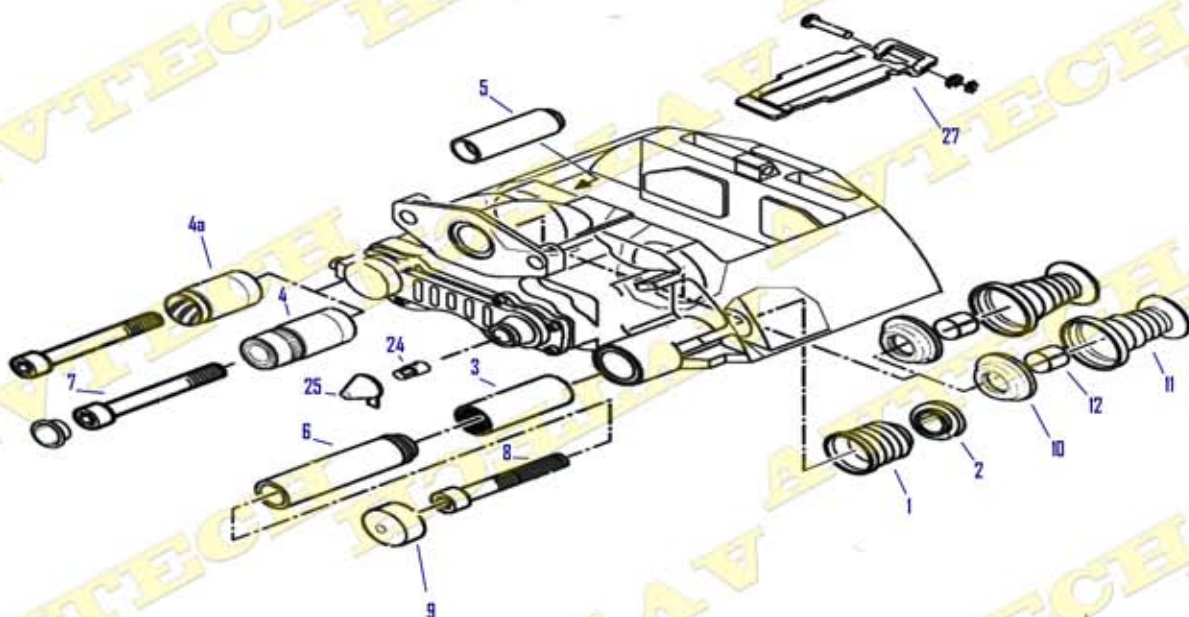
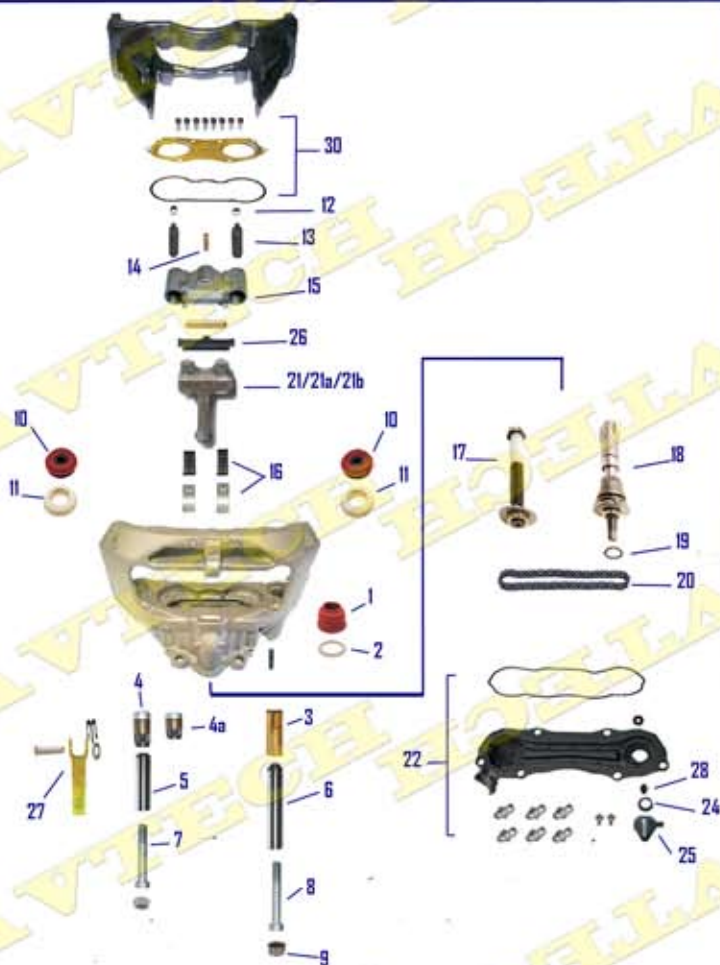
K0000

K0000

TAPE SN 6




TAPE SN 7






KNORR

WWW.ATRIY.PL

K0004	
PINION SHAFT	
17	

K0010	
GUIDE, BUSH DIA 39MM SCREW & SEAL	
4, 5, 7	


K0019	
LEVER BEARING	
26	

K0027	
BRIDGE ASSY	
13, 15	


K0009	
CHAIN	
20	

K0030	
LEVER D(SN7)	
21, 26	

K0013	
K000697	
SCREW & PLUGS	
4, 5	

K0031	
LEVER (SN6)	
21a, 26	

K0018	
ROLLER BEARING	
16	

K0036	
1119712004/1130679004	
PAD RETAINER	
27	

K0021	
PLASTIC COVER	
22	

K0039	
Z001548	
TOP HEXAGONAL NUT FOR GROOVED ADJ MECHANISM	
24	

K0044	
COVER & GASKET	
30	

K0061	
ADJUSTING MECHANISM SHAFT	
18	

K0047	
K000472/K002845	
GUIDES & SEALS	
1, 2, 3, 4, 5, 6, 7, 8, 9	

K0062	
K000029	
CAP SET	
24, 25	

K0048	
CAPS	
9	

K0064	
0004202282	
CALIPER PIN REPAIR KIT	
1, 2, 3, 4, 5, 6, 7, 8, 9	

K0096	
ADJUSTING MECHANISM ADAPTER	
24	

K0068	
CALIPER CALIBRATION BOLT (3 THREAD)	
13	

K0051	
K000366/K001300	
TAPPETS	
10, 11, 12	

K0073	
SHAFT HOUSING	
15	

K0058	
GUIDE & SEALS	
4, 5, 6, 7, 8	

K0078	
CALIPER REPAIR SET (WITH K0031)	
10, 11, 12, 13, 15, 16, 17, 18, 19, 20, 21a	

K0079	
CALIPER REPAIR SET (WITH K0030)	
10, 11, 12, 13, 15, 16, 17, 18, 19, 20, 21	

K0091	
CALIPER TAPPET SET	
10, 12	

K0081	
CALIPER PIN REPAIR KIT	
1, 2, 3, 4, 4a, 5, 6, 7, 8, 9	

K0111	
BUSH	
3	

K0092	
CALIPER PIN RUBBER BUSH - (LONG) (39MM)	
4	

K0093	
CALIPER PIN RUBBER BUSH - (SHORT)	
4a	

K0107	
CALIPER SHORT PIN REPAIR KIT	
4a, 5a	

K0114	
CALIPER SHORT PIN REPAIR KIT	
4a, 5, 7	

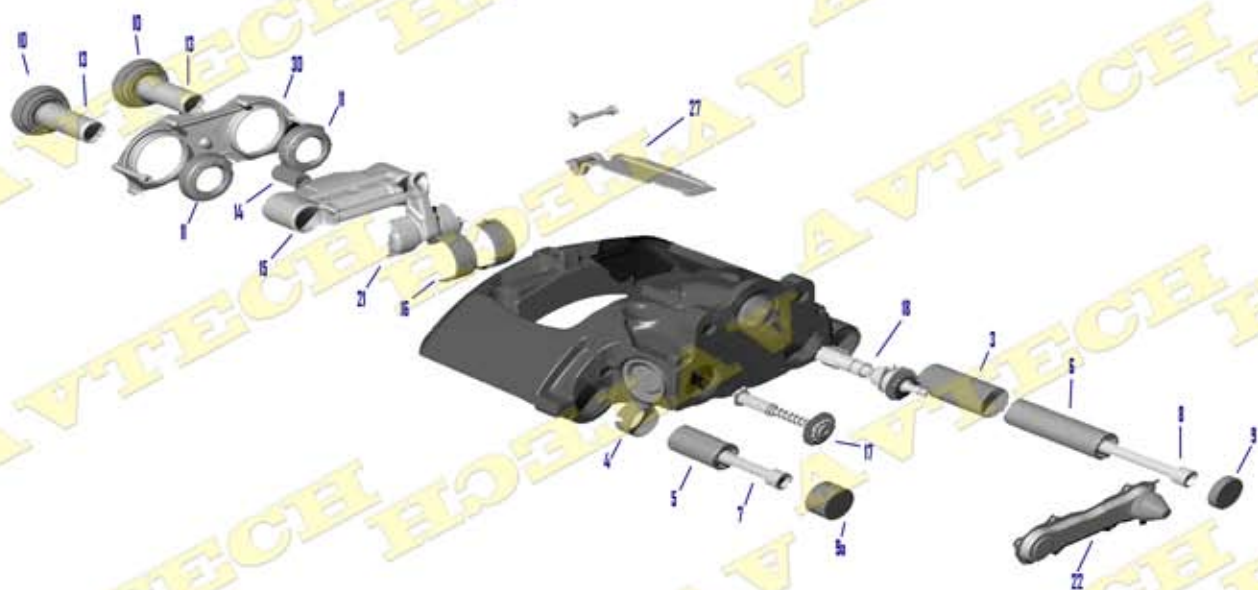
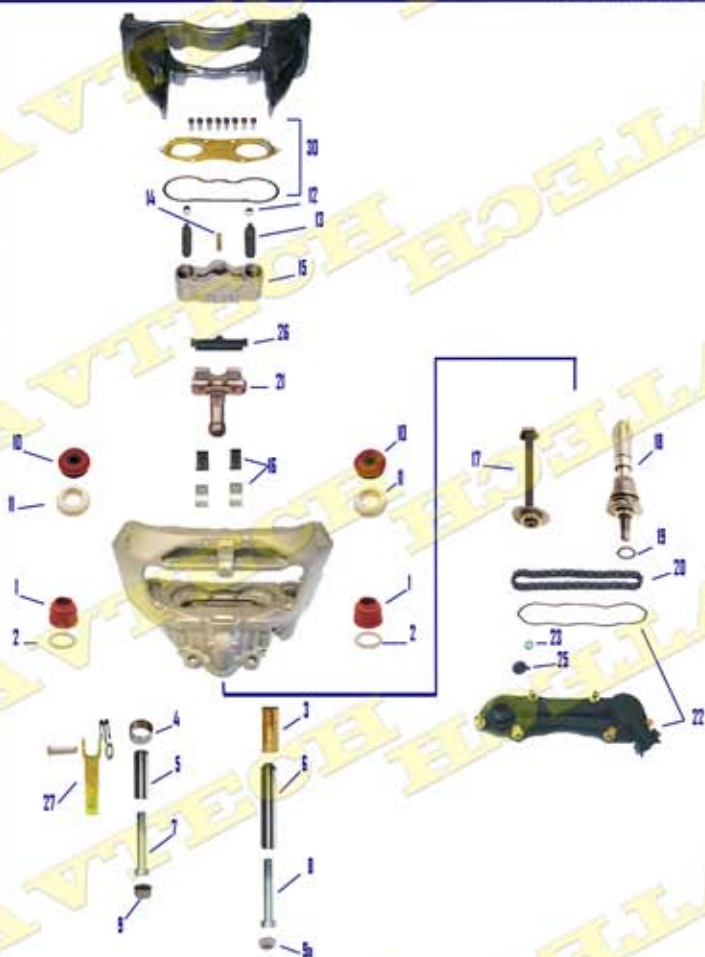
K0002	
GEAR WHEEL ADJ MECHANISM	
19	

K0090	
CALIPER PIN BOOT SET	
1, 2	

K0056	
LEVER (SN7)(ANGLE 12)	
21b, 26	

K0117	
CALIPER REPAIR SET (WITH K0056)	
10, 11, 12, 13, 15, 16, 17, 18, 19, 20, 21b	

TAPE SK7



K0054	
K004100/K010766	
CALIPER PIN REPAIR KIT	
1, 2, 3, 4, 5, 6, 7, 8, 9, 9a	

K0099	
ADJUSTING MECHANISM	
17	

K0067	
CALIPER LEVER	
21	

K0109	
SHAFT HOUSING SET	
13, 15	

K0072	
SHAFT HOUSING	
15	

K0111	
BUSH	
3	

K0080	
CALIPER REPAIR SET	
10, 11, 12, 13, 14, 15, 16, 17, 18, 19, 20, 21	

K0113	
CALIPER SHORT PIN REPAIR KIT	
1, 2, 4, 5, 7, 9a	

K0096	
ADJUSTING MECHANISM ADAPTER	
24	

K0112	
CALIPER CAP SET	
9a	

K0048	
CALIPER CAP SET	
9	

K0061	
ADJUSTING MECHANISM SHAFT	
18	

K0009

CHAIN

20

**K0068**ADJUSTING MECHANISM
SHAFT

13

**K0018**

ROLLER BEARING

16

**K0044**

COVER & GASKET

30

**K0051**

K000366/K001300

TAPPETS

10, 11, 12

**K0091**

TAPPETS

10, 12

**K0090**

CALIPER PIN BOOT SET

1, 2

**K0062**

K000029

CAP SET

24, 25

**K0021**

PLASTIC COVER

22

**K0039**

Z001548

TOP HEXAGONAL NUT
FOR GROOVED ADJ. MEC.

24

**K0002**GEAR WHEEL ADJ
MECHANISM

19

**K0118**

PLASTIC GEAR SHAFT

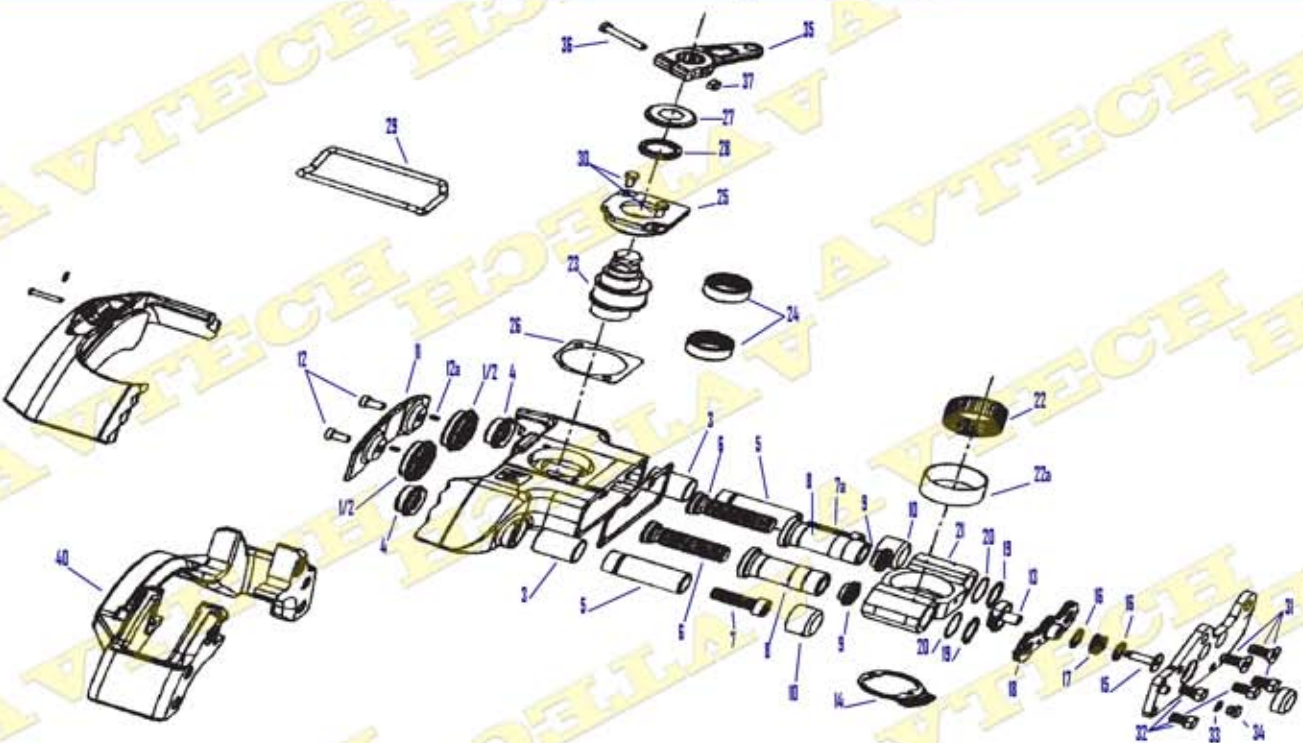
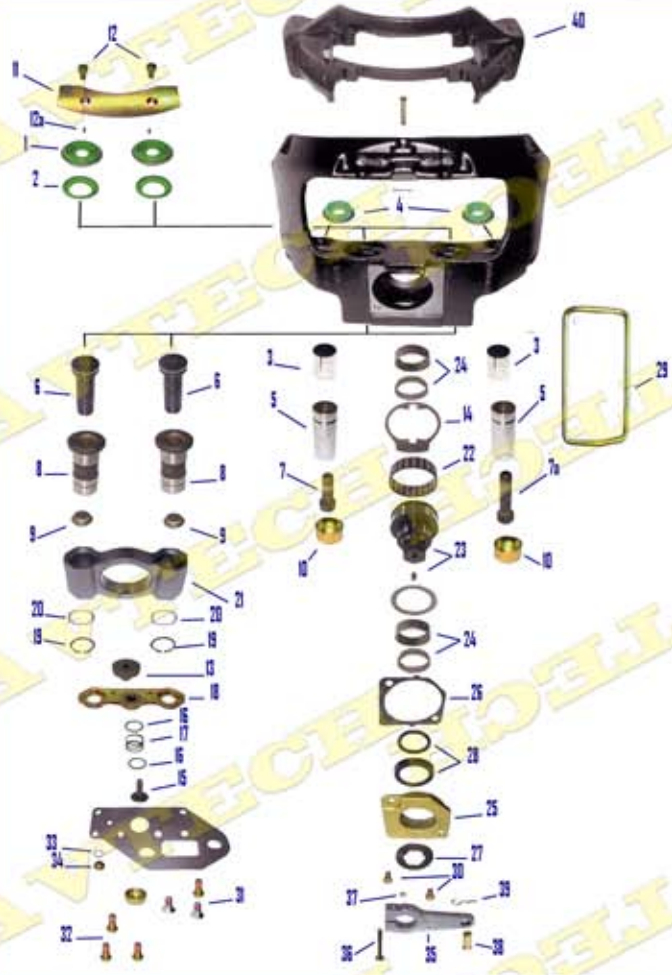
23





WWW.ATRIY.PL

DX 195.51/52



MERITOR

WWW.ATRIY.PL

M0122	
MCK1171	
COMPLETE OVERHAUL	
1, 2, 3, 4, 5, 7, 7a, 10, 12, 26, 31, 32	

M0029	
ROLLER BEARING (LIGHT)	
24	

M0023	
BRIDGE & INNER RING	
21	

M0030	
DSB3	
ROLLER BEARING (COMPLETE)	
22, 24	

M0042	
MCK1294	
SHAFT FITTINGS	
22, 23, 24, 25, 26, 27, 30, 33, 34, 36, 37, 39	

M0031	
DSL 5R	
ADJUSTING MECHANISM	
16, 17, 18, 19, 20	

M0025	
CENTRAL FORK & PINION	
13, 14	

M0032	
DSL 5L	
ADJUSTING MECHANISM	
16, 17, 18, 19, 20	

M0026	
SHAFT	
23, 24, 28	

M0188	
CALIPER PIN REPAIR KIT	
3, 5, 7, 7a, 10	

M0027	
MCK1192	
BOOTS, CAPS & SCREWS	
1, 2, 4, 10, 12, 30, 31, 32	

M0035	
MCK1192	
PAD RETAINER	
29	



WWW.ATRIY.PL

M0039	
MCK1290	
ADJUSTING MECHANISM	
13, 14, 15, 16, 17, 18, 19, 20	

M0040	
MCK1291	
ADJUSTING MECHANISM	
13, 14, 15, 16, 17, 18, 19, 20	

M0125	
PUSH PLATE	
6, 11, 12, 12a	

M0124	
PUSH PLATE	
6, 11, 12, 12a	

M0044	
PISTONS & PINIONS	
8, 9	

M0024	
PISTONS & PINIONS	
8, 9	

M0022	
DSB6R	
BRIDGE & TUBES	
8, 9, 13, 14, 21	

M0043	
DSB6L/MCK1292	
BRIDGE & TUBES	
8, 9, 13, 14, 21	

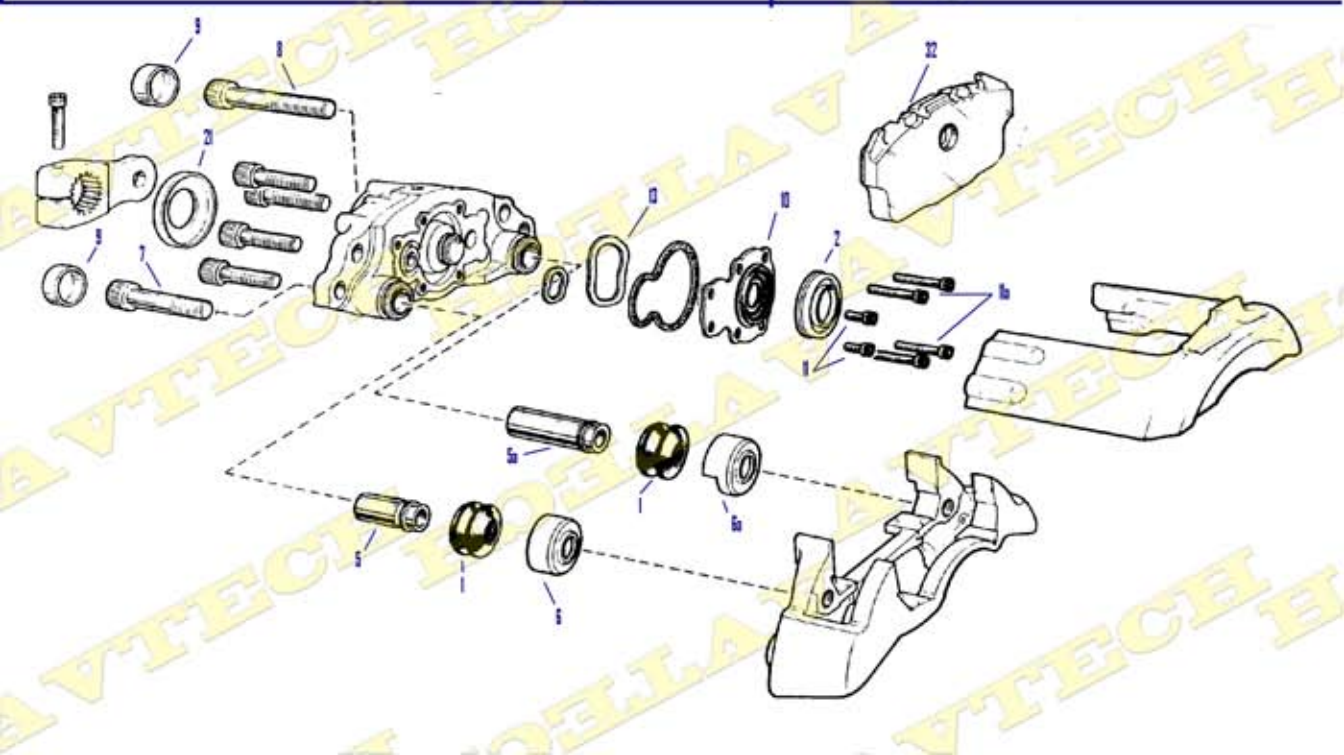
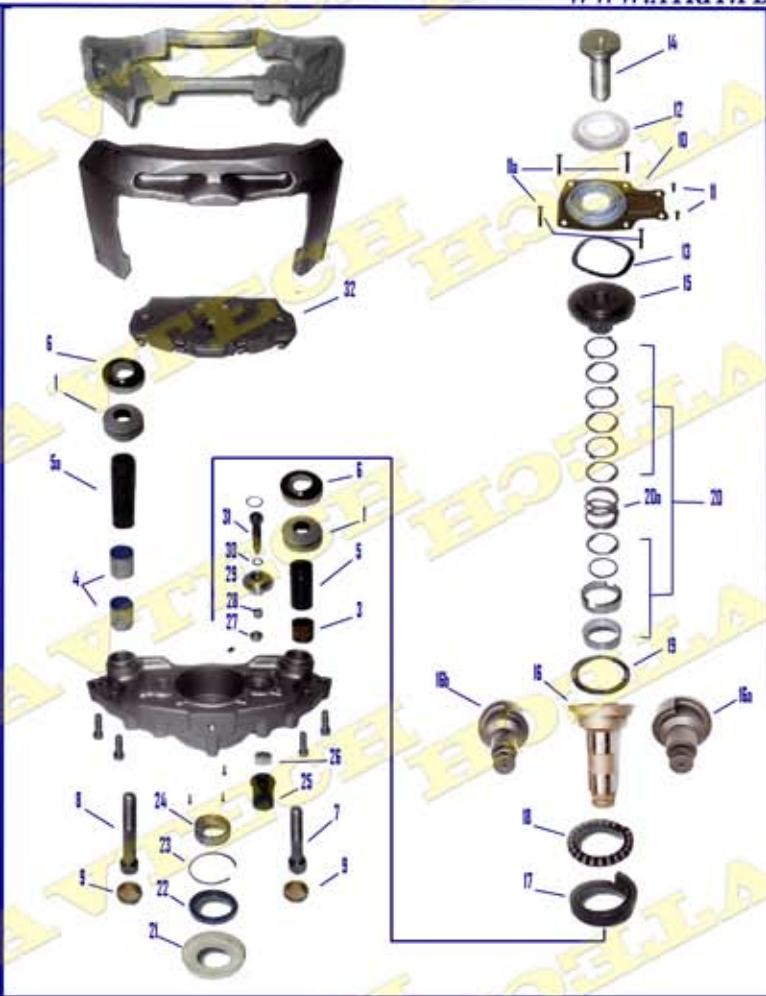
M0041	
MCK1293	
AJUSTEER SLEEVE & THRUST PLATE	
6, 8, 9, 11, 12, 12a, 13, 14, 21	

M0038	
MCK1292	
AJUSTEER SLEEVE & THRUST PLATE	
6, 8, 9, 11, 12, 12a, 13, 14, 21	

M0000	

M0000	

WWW.ATRIY.PL



M0001
 SJ4001/SJ4011/SJ4012/
 SJ1213
GUIDES & SEALS
 1, 2, 3, 4, 5, 5a, 6, 7, 8, 9



M0054
WAVY WASHER
 13



M0048
SHAFT 48 TEETH (LEFT)
 16b



M0058
SHAFT 48 TEETH (RIGHT)
 16b



M0049
SHAFT SUPPORT (LEFT)
 17



M0059
SHAFT SUPPORT (RIGHT)
 17



M0050
THRUST BALL BEARING
 18



M0056
 5001822999
COVER
 12



M0055
SHAFT ROLLER BEARING
 19



M0057
BUSH AND SEALS
 21, 22, 23, 24



M0052
ADJUSTER TAPPET (LEFT)
 14, 15



M0061
ADJUSTER TAPPET (RIGHT)
 14, 15



M0060

CLUTCH SYSTEM (LEFT)

20

**M0051**

CLUTCH SYSTEM (RIGHT)

20

**M0150**CALIPER REPAIR SET /
FRONT - L (WITH M0064)**M0140**CALIPER REPAIR SET /
FRONT - R (WITH M0065)**M0151**CALIPER REPAIR KIT /
REAR - L**M0141**CALIPER REPAIR KIT /
REAR - R**M0053**SMALL CLUTCH SYSTEM
(LEFT)

28, 29, 30, 31

**M0062**SMALL CLUTCH SYSTEM
(RIGHT)

28, 29, 30, 31

**M0143**SPLINE SHAFT REAR - L
(26 TEETH)

16

**M0142**SPLINE SHAFT REAR - R
(26 TEETH)

16

**M0064**SPLINE SHAFT FRONT-L
(26 TEETH)

16a

**M0065**SPLINE SHAFT FRONT-R
(26 TEETH)

16a



MERITOR

WWW.ATRIY.PL

M0105

SJ1212

COVER & BOOT

10, 11, 11a, 12

**M0152**CALIPER BRAKE LINING
PLATE
32**M0000****M0000****M0000****M0000****M0000****M0000****M0000****M0000****M0000****M0000**



WWW.ATRIY.PL

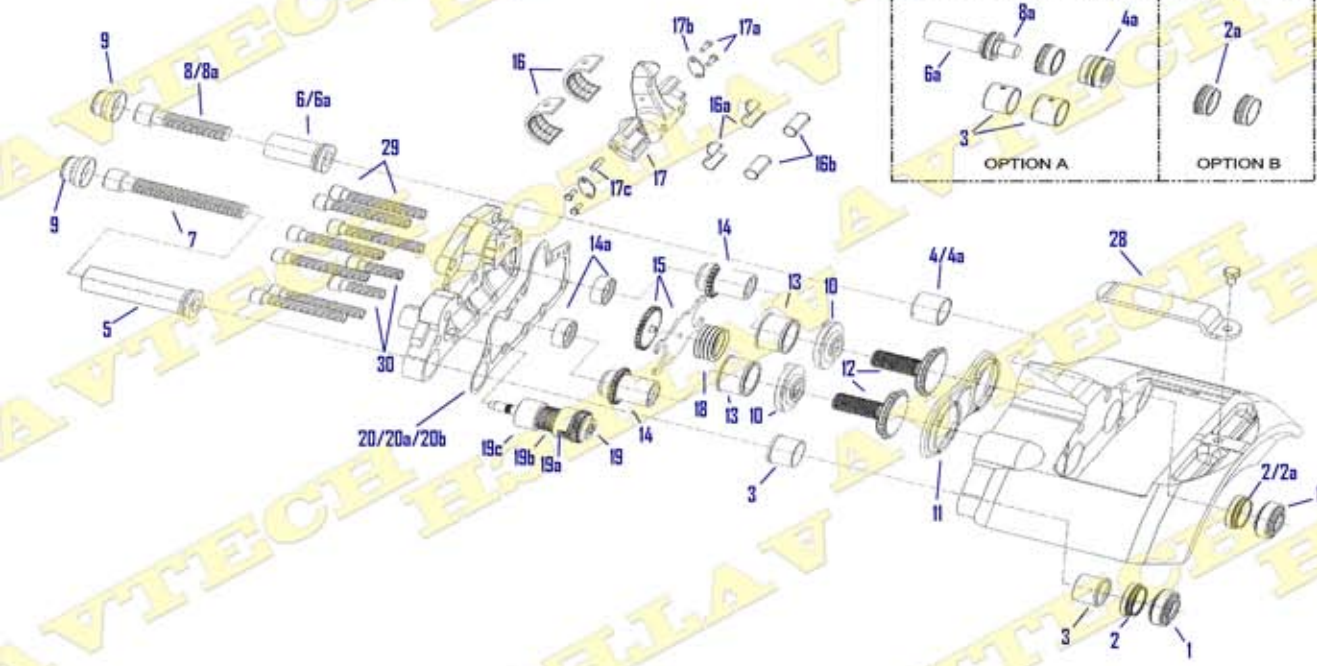
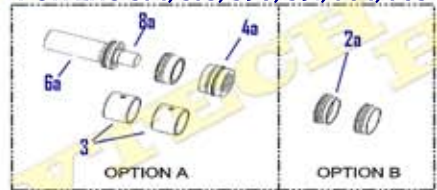
ELSA 1



*LPR 570, 571, 574, 575,
576, 577, 616, 617*



FOR LRG 574, 575, 590, 591, 704, 705



MERITOR

WWW.ATRIY.PL

M0085	
MCK1102	
GUIDES & BUSHES	
1, 2, 3, 4, 5, 6, 7, 8, 9	

M0047	
MCK1103	
GUIDE & PIN	
1, 2a, 3, 4a, 5, 6a, 7, 8a, 9	

M0075	
SJ4112	
BEARINGS	
16, 16a, 16b	

M0171	
CALIPER HALF BEARING SET	
16	

M0091	
OPERATING SHAFT (LEVER) (LEFT)	
17, 17a, 17b, 17c, 16b	

M0092	
OPERATING SHAFT (LEVER) (RIGHT)	
17, 17a, 17b, 17c, 16b	

M0101	
ADJ MECHANISM CLUTCH SYSTEM (LEFT)	
19a, 19b, 19c	

M0087	
ADJ MECHANISM CLUTCH SYSTEM (RIGHT)	
19a, 19b, 19c	

M0088	
SPRING RETAINERS THRUST (LEFT)	
21, 22, 23, 24	

M0094	
68322562PK4	
SMALL GEAR MECHANISM	

M0089	
SPRING RETAINERS THRUST (RIGHT)	
21, 22, 23, 24	

M0095	
68322563PK4	
SMALL GEAR MECHANISM	

M0096

68321678PK10

LOCKING SHIM

11

**M0100**CALIPER ADJUSTING
MECHANISM

19

**M0097**

ST1156

TAPPET COVER

10

**M0139**

CALIPER PIN BOOT SET

1

**M0098**ADJ MECHANISM &
TAPPETS (LEFT)

12, 14, 14a, 15

**M0167**CALIPER ADJUSTING
GEAR / 35MM - R

12

**M0099**ADJ MECHANISM &
TAPPETS (RIGHT)

12, 14, 14a, 15

**M0168**CALIPER ADJUSTING
GEAR / 35MM - L

14

**M0093**

10xBUSH 35x39x30

3

**M0033**

GASKET

20a

**M0028**

GASKET

20

**M0076**

GASKET

20b



MERITOR

WWW.ATRIY.PL

M0136

BOLT M14x1.5 L 90

29

M0046

BOLT M16x1.5 L 50

30

M0175CALIPER HALF BEARING
SET

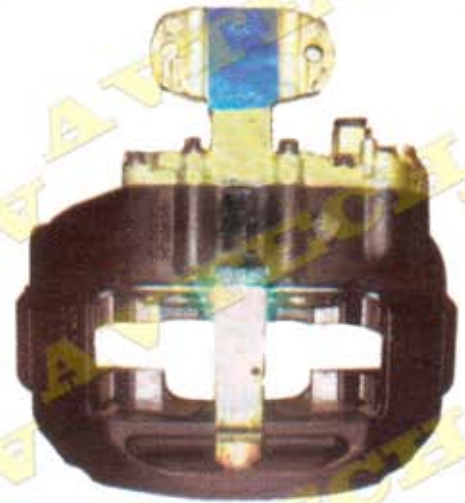
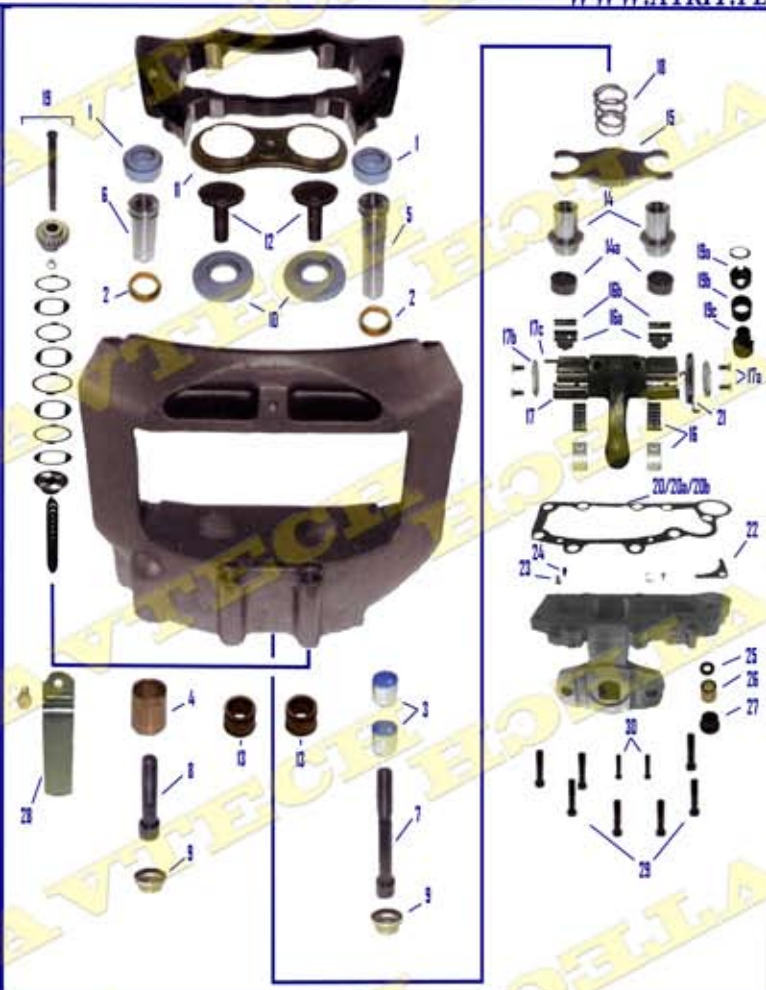
14a

M0000**M0000****M0000****M0000****M0000****M0000****M0000****M0000****M0000**

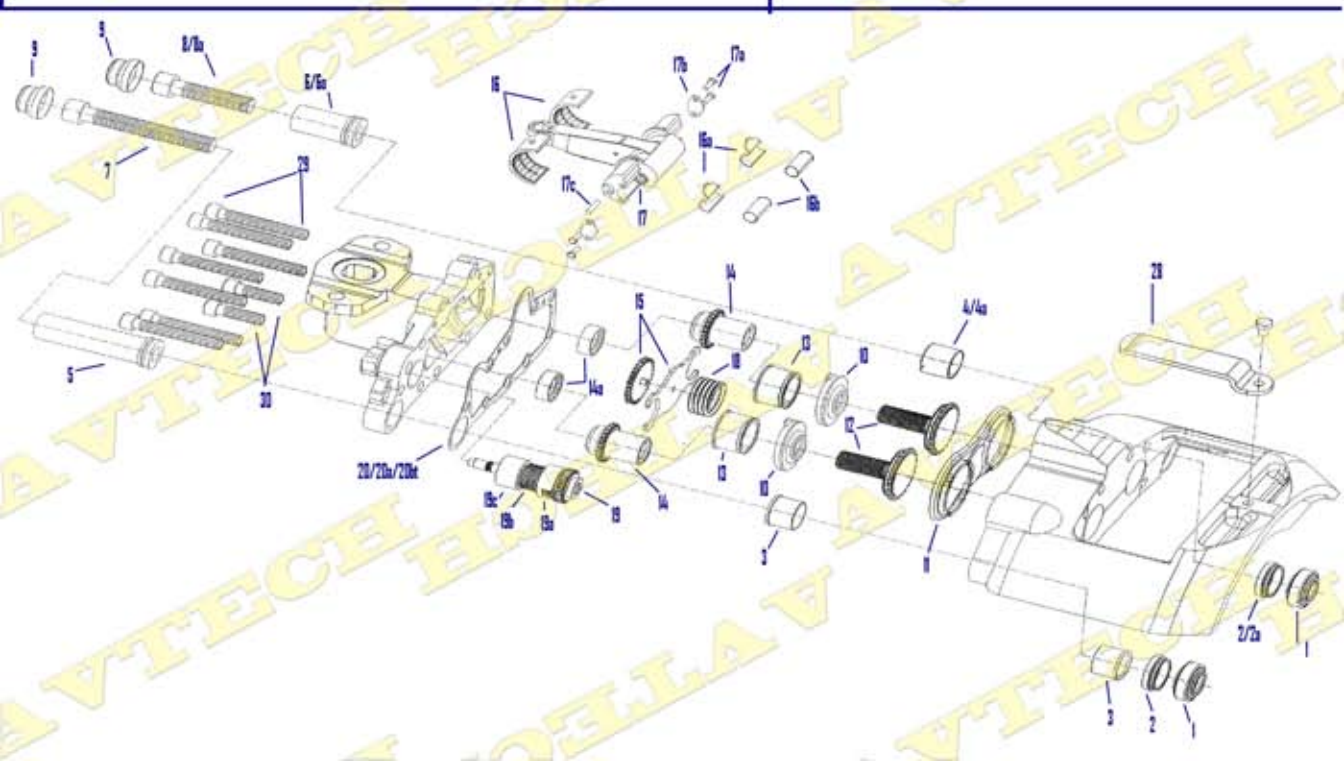


WWW.ATRIY.PL

ELSA 1 Radial



LRG 542, 543, 632, 633,
642, 643, 752, 753





ELSA 1 Radial MERITOR

WWW.ATRIY.PL

M0085
MCK1102
GUIDES & BUSHES
1, 2, 3, 4, 5, 6, 7, 8, 9, 30



M0100
CALIPER ADJUSTING MECHANISM
19



M0075
SJ4112
BEARINGS
16, 16a, 16b



M0097
ST1156
TAPPET COVER
10



M0171
CALIPER HALF BEARING SET
16



M0139
CALIPER PIN BOOT SET
1



M0101
ADJ MECHANISM CLUTCH SYSTEM (LEFT)
19a, 19b, 19c



M0087
ADJ MECHANISM CLUTCH SYSTEM (RIGHT)
19a, 19b, 19c



M0088
SPRING RETAINERS THRUST (LEFT)
21, 22, 23, 24



M0094
68322562PK4
SMALL GEAR MECHANISM



M0089
SPRING RETAINERS THRUST (RIGHT)
21, 22, 23, 24



M0095
68322563PK4
SMALL GEAR MECHANISM



M0096

68321678PK10

LOCKING SHIM

11


M0093

10x8 BUSH 35x39x30

3


M0136

29


M0046

BOLT M16x1.5 L 50

30


M0098

 ADJ MECHANISM &
 TAPPETS (LEFT)

12, 14, 14a, 15


M0167

 CALIPER ADJUSTING
 GEAR / 35MM - R

12


M0099

 ADJ MECHANISM &
 TAPPETS (RIGHT)

12, 14, 14a, 15


M0168

 CALIPER ADJUSTING
 GEAR / 35MM - L

14


M0175

GEAR SLOT SET

14a


M0028

GASKET

20


M0033

GASKET

20a


M0076

GASKET

20b

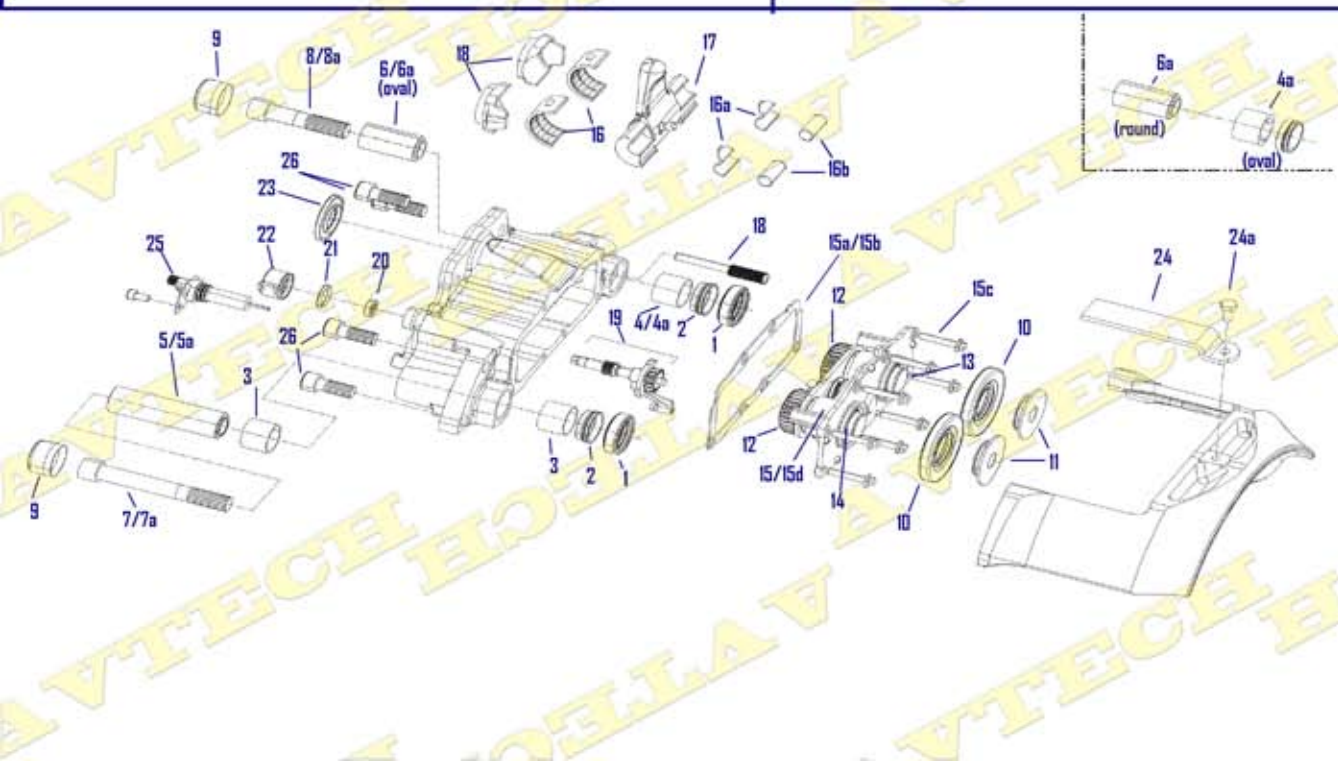


WWW.ATRIY.PL

ELSA 2



LRG 544,545,546,547,572, 573,582,583,638,639, 646,647,658,659,664, 665,700,701,712,713, 720,721,722,723,724, 725,748,749,750,751



MERITOR

WWW.ATRIY.PL

M0063	
MCK1243/MCK1140	
GUIDE & PIN	
1, 2, 3, 4a, 5, 6a, 7, 8, 9, 26	

M0127	
MCK1086	
GUIDE PIN	
1, 2a, 3, 4, 5a, 6, 7a, 8, a, 9, 26	

M0117	
ADJUSTING MECHANISM	
14, 15, 15a, 15c	

M0147	
CALIPER ADJUSTING MECHANISM SET	
12, 12a-j, 13, 14, 15, 15a, 15c, 14a, 14b	

M0075	
SJ4112	
BEARINGS	
16, 16a, 16b	

M0171	
CALIPER HALF BEARING SET	
16	

M0021	
MCK1139/68324854PK10	
ADJUSTER TAPPETS COVE ID	

M0115	
68323746PK10	
ACTUATOR SEAL	
23	

M0093	
10x8 BUSH 35x39x30	
3	

M0116	
ADJUSTING MECHANISM SEALING	
14, 14a 14b	

M0111	
ADJUSTING DEVICE (LEFT)	
19	

M0112	
ADJUSTING DEVICE (RIGHT)	
19	

M0145

CALIPER ADJUSTING
GEAR SET

11, 11a, 12, 13

**M0114**

MCK1244

SEALS

1, 9, 10, 22, 23, 26

**M0119**

MCK1309

TAPPETS

11, 11a

**M0128**

MCK1174

PAD RETAINER

24, 24a

**M0146**

BRAKE CALIPER LEVER

17

**M0082**

68322655PK10

ADJUSTER STEM DUST

22

**M0121**

ADJ MECHANISM
(CENTRAL PART)

12d

**M0137**

CALIPER BEARING
SADDLE SET

18

**M0156**

GASKET

15a

**M0139**

CALIPER PIN BOOT SET

1

**M0126**

MCK1088

OPERATING SEALS

1, 10, 21, 22, 23

**M0144**

CALIPER ADJUSTING
MECHANISM

12a-12j



MERITOR

WWW.ATRIY.PL

M0138

5001866398

**CALIPER TAPPET & BOOT
SET**

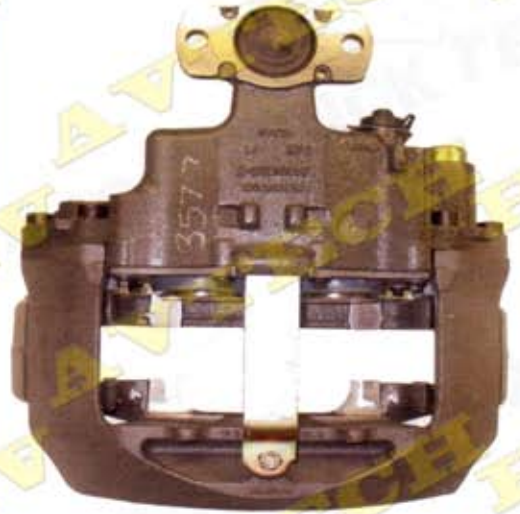
10, 11, 11a

**M0000****M0000****M0000****M0000****M0000****M0000****M0000****M0000****M0000****M0000****M0000**

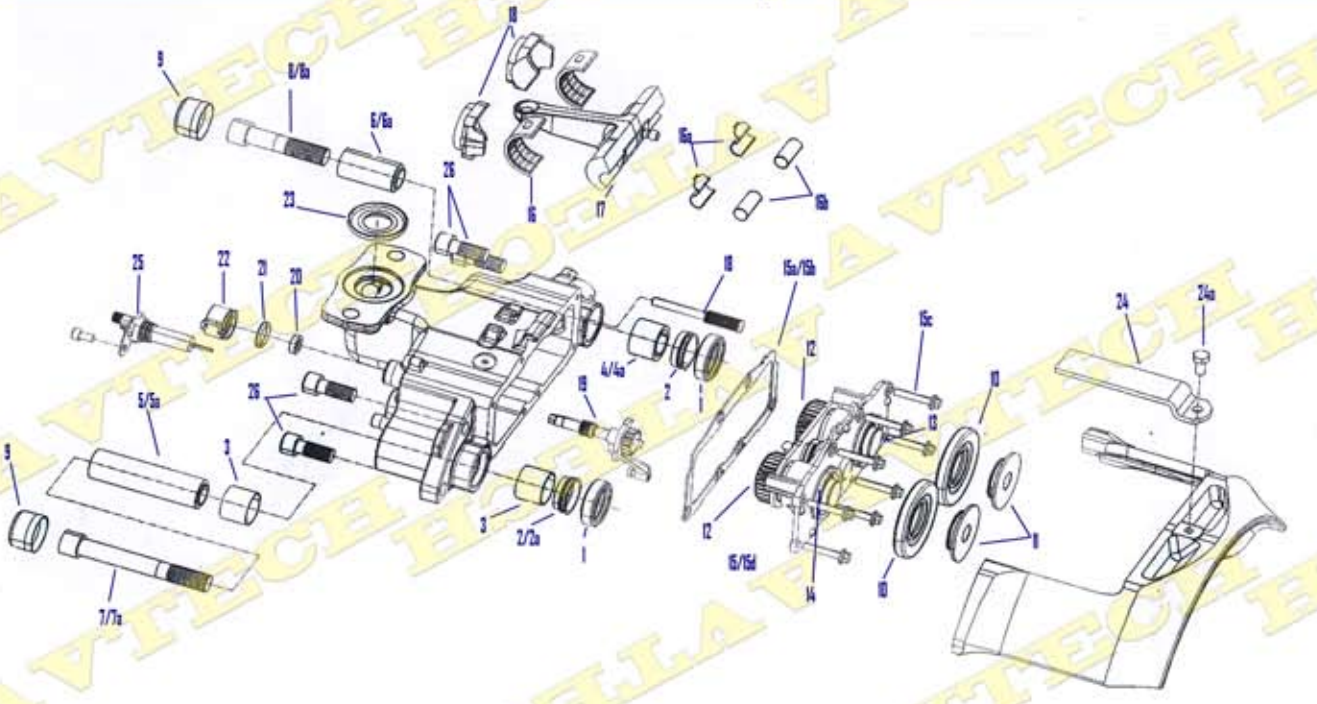


WWW.ATRIY.PL

ELSA 2 Radial



LRG 662, 663, 669, 670,
744, 745





ELSA 2 Radial MERITOR

WWW.ATRIY.PL

M0063	
MCK1243/MCK1140	
ADJUSTER TAPPETS COVER	
1, 2, 3, 4a, 5, 6a, 7, 8, 9, 26	

M0127	
MCK1086	
GUIDE PIN	
1, 2a, 3, 4, 5a, 6, 7a, 8a, 9, 26	

M0126	
MCK1088	
OPERATING SEALS	
1, 10, 21, 22, 23	

M0114	
MCK1244	
SEALS	
1, 9, 10, 22, 23, 26	

M0082	
68322655PK10	
ADJUSTER STEM DUST	
22	

M0115	
68323746PK10	
ACTUATOR SEAL	
23	

M0093	
10XBUSH 35X39X30	
3	

M0116	
ADJUSTING MECHANISM SEALING	
14, 14a, 14b	

M0111	
ADJUSTING DEVICE (LEFT)	
19	

M0112	
ADJUSTING DEVICE (RIGHT)	
19	

M0147	
CALIPER ADJUSTING MECHANISM SET	
12, 12a-j, 13, 14, 15, 15a, 15c, 14a, 14b	

M0117	
ADJUSTING MECHANISM	
14a, 15, 15a, 15.c	

M0119

MCK1309

II, IIa



M0021

MCK1139/68324854PK10

ADJUSTER TAPPETS
COVER
10

M0132

SJ4098

BEARING

16, 16a, 16b



M0128

MCK1174

PAD RETAINER

24, 24a



M0156

GASKET

15a



M0171

CALIPER HALF BEARING
SET
16

M0137

CALIPER BEARING
SADDLE SET
18

M0139

CALIPER PIN BOOT SET

1



M0138

5001866398

CALIPER TAPPET & BOOT
SET

10, II, IIa



M0144

CALIPER ADJUSTING
MECHANISM

12a - 12j



M0145

CALIPER ADJUSTING
GEAR SET

II, IIa, 12, 13



M0121

ADJ MECHANISM
(CENTRAL PART)

12g



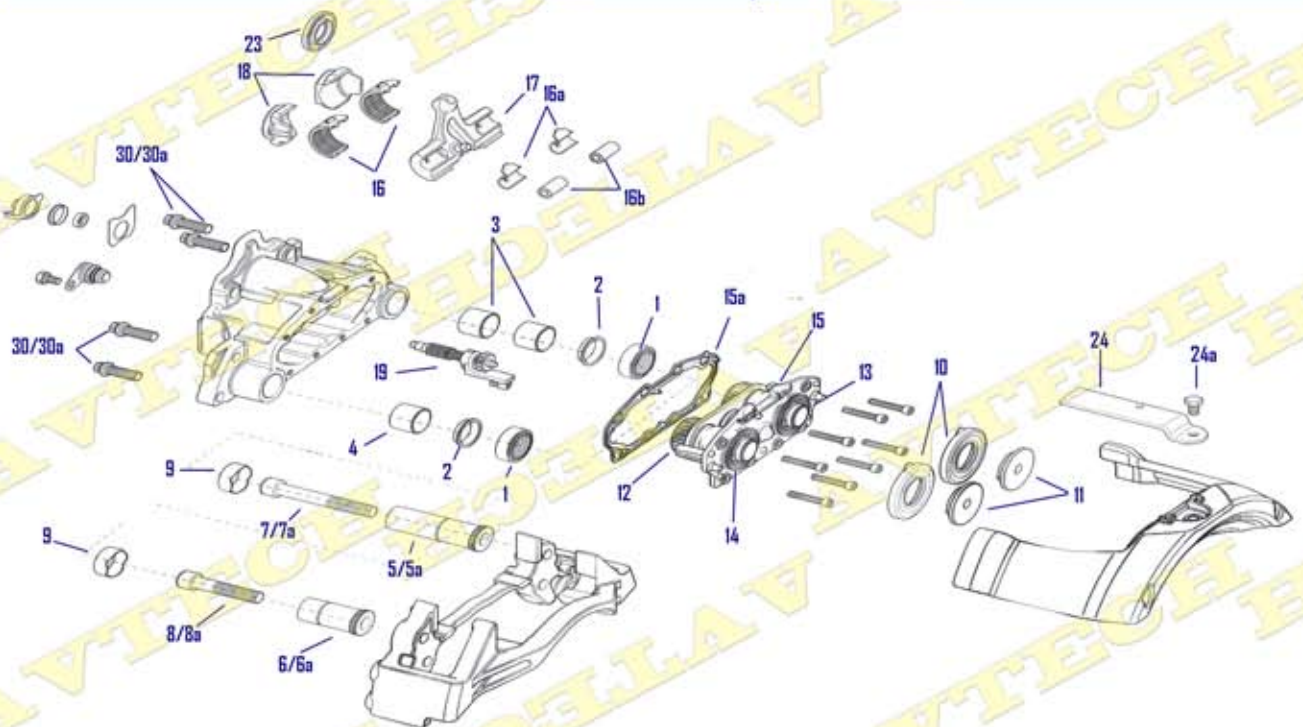


WWW.ATRIY.PL

ELSA 195



LRG 732, 733, 702, 703, 740, 741




MERITOR

WWW.ATRIY.PL


M0107	
MCK1254	
GUIDE PIN, SEALS & SCREWS	
1, 2, 3, 4, 5, 6, 7, 8, 9, 30	

M0174	
MCK1253	
BOOT & CAPS SET	
1, 9, 30	

M0075	
SJ4112	
BEARINGS	
16, 16a, 16b	

M0171	
CALIPER HALF BEARING SET	
16	


M0082	
68322655PK10	
ADJUSTER STEM DUST	
22	

M0115	
68323746PK10	
ACTUATOR SEAL	
23	

M0093	
IOXBUSH 35X39X30	
3	

M0116	
ADJUSTING MECHANISM SEALING	
14, 14a, 14b	

M0021	
MCK1139/68324854PK10	
ADJUSTER TAPPETS COVER	
10	

M0126	
MCK1088	
OPERATING SEALS	
1, 10, 21, 22, 23	

M0109	
ADJUSTING DEVICE NEW MODELS	
19	

M0119	
MCK1309	
TAPPETS	
11, 11a	

WWW.ATRIY.PL

M0128

MCK1174

PAD RETAINER

24, 24a

**M0138**

5001866398

CALIPER TAPPET & BOOT SET

10, 11, 11a

**M0114**

MCK1244

SEALS

1, 9, 10, 22, 23, 26

**M0159**

ADJUSTING MECHANISM

15

**M0121**ADJ MECHANISM
(CENTRAL PART)

12g

**M0172**

ADJUSTING MECHANISM

12, 12a-12j, 13, 14, 14a, 14b,
15**M0139**

CALIPER PIN BOOT SET

1

**M0155**

GASKET

15a

**M0144**CALIPER ADJUSTING
MECHANISM

12a -12j

**M0145**CALIPER ADJUSTING
GEAR SET

11, 11a, 12, 13

**M0137**CALIPER BEARING
SADDLE SET

18

**M0000**

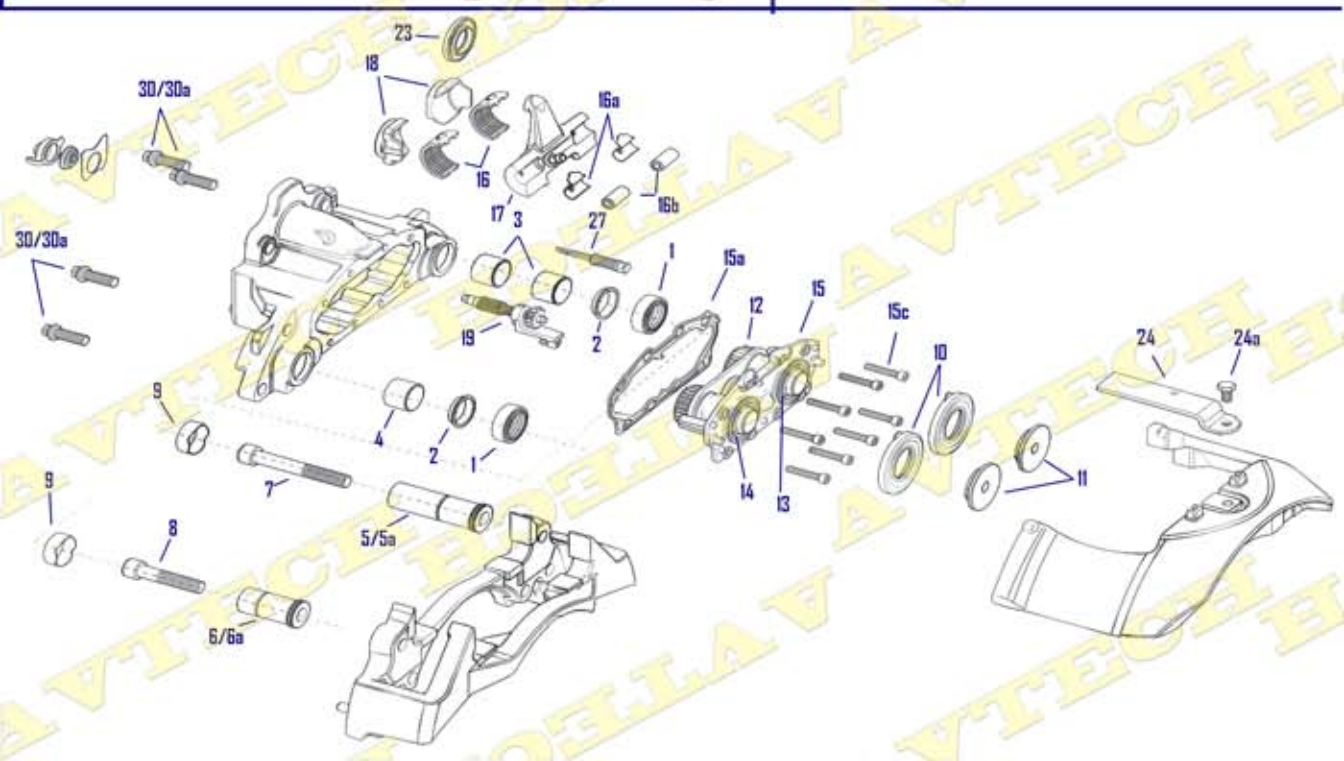
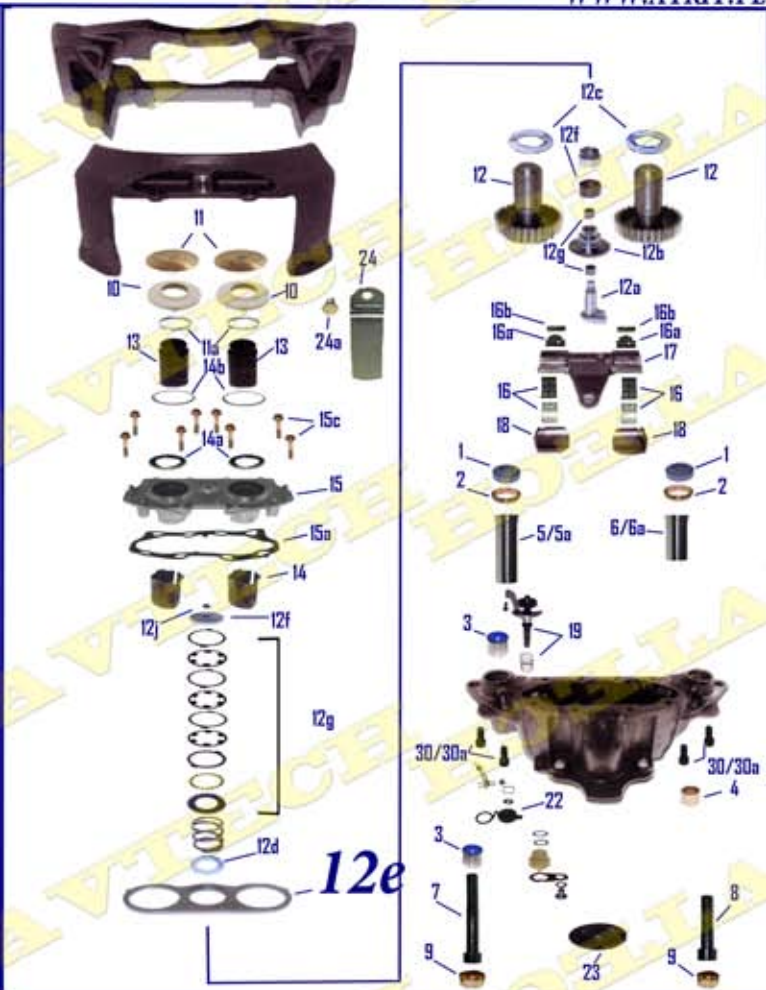


WWW.ATRIY.PL

ELSA 225



LRG 728, 729



M0107	
MCK1254	
GUIDE PIN, SEALS & SCREWS	
1, 2, 3, 4, 5, 6, 7, 8, 9, 30	

M0161	
MCK1298	
CALIPER PIN REPAIR KIT	
1, 2, 3, 4, 5a, 6a, 7, 8, 9, 30	

M0159	
ADJUSTING MECHANISM	
15	

M0172	
ADJUSTING MECHANISM	
12, 12a-12j, 13, 14	

M0021	
MCK1139/68324854PK10	
ADJUSTER TAPPETS COVER	
10	

M0155	
GASKET	
15a	

M0075	
SJ4112	
BEARINGS	
16, 16a, 16b	

M0171	
CALIPER HALF BEARING SET	
16	

M0174	
MCK1253	
BOOT & CAPS SET	
1, 9, 30	

M0114	
MCK1244	
CALIPER BOOT & BOLT SET	
1, 9, 10, 22, 23, 26	

M0144	
CALIPER ADJUSTING MECHANISM	
12a - 12j	

M0139	
CALIPER PIN BOOT SET	
1	

WWW.ATRIY.PL

M0126

MCKI088

OPERATING SEALS

1, 10, 21, 22, 23

**M0115**

68323746PK10

ACTUATOR SEAL

23

**M0128**

MCKI174

PAD RETAINER

24, 24a

**M0116**ADJUSTING MECHANISM
SEALING

14, 14a, 14b

**M0082**

68322655PK10

ADJUSTER STEM DUST

22

**M0138**

5001866398

CALIPER TAPPET & BOOT
SET

10, 11, 11a

**M0093**

10XBUSH 35X39X30

3

**M0119**

MCKI309

TAPPETS

11, 11a

**M0109**ADJUSTING DEVICE NEW
MODELS

19

**M0121**ADJ MECHANISM
(CENTRAL PART)

12g

**M0000****M0000**

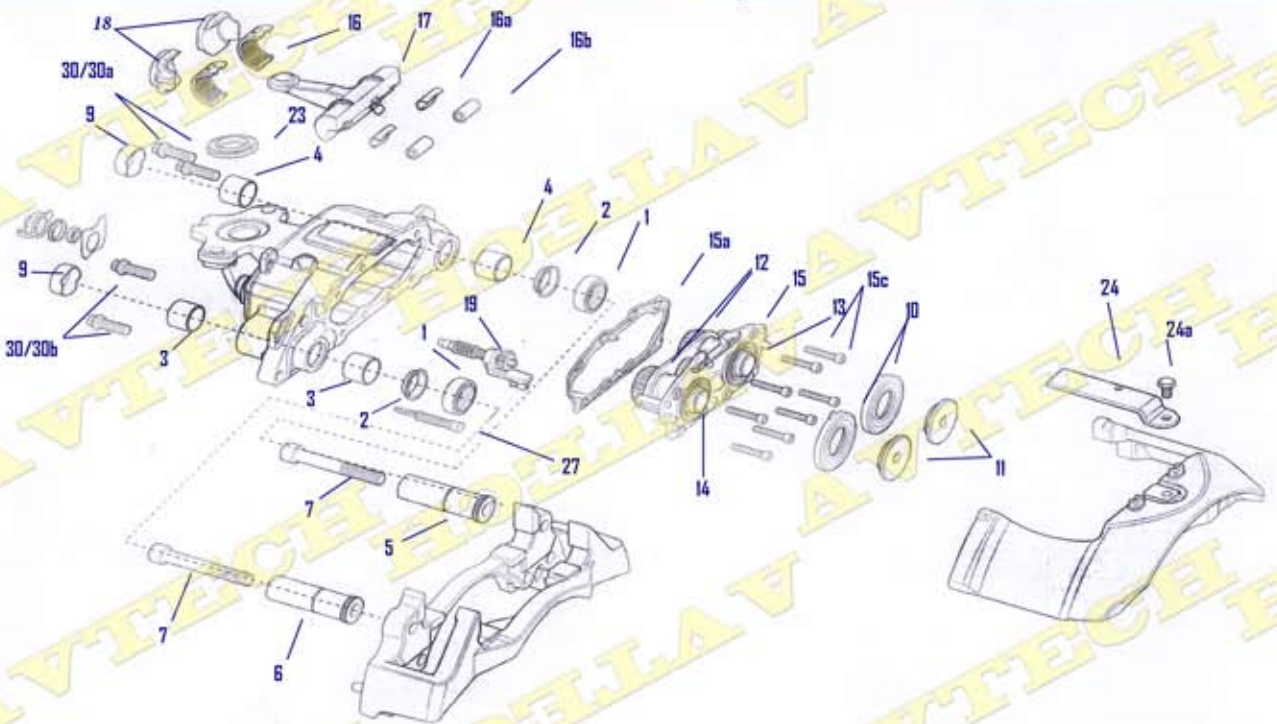


WWW.ATRIY.PL

ELSA 225 Radial



LRG 726, 727, 734, 735





ELSA 225 Radial MERITOR

WWW.ATRIY.PL

M0173	
MCK1317	
ADJUSTING MECHANISM	
I, 2, 3, 4, 5, 6, 7, 8, 9	

M0115	
68323746PK10	
ACTUATOR SEAL	
23	

M0075	
SJ4112	
BEARINGS	
I6, I6a, I6b	

M0171	
CALIPER HALF BEARING SET	
I6	

M0082	
68322655PK10	
ADJUSTER STEM DUST	
22	

M0138	
5001866398	
CALIPER TAPPET & BOOT SET	
10, 11, 11a	

M0093	
IOXBUSH 35X39X30	
3	

M0119	
MCK1309	
TAPPETS	
11, 11a	

M0109	
ADJUSTING DEVICE NEW MODELS	
19	

M0121	
ADJ MECHANISM (CENTRAL PART)	
12g	

M0128	
MCK1174	
PAD RETAINER	
24, 24a	

M0126	
MCK1088	
OPERATING SEALS	
I, 10, 21, 22, 23	



WWW.ATRIY.PL


M0021	
MCKI139/68324854PK10	
ADJUSTER TAPPETS COVER ID	

M0139	
CALIPER PIN BOOT SET	
1	

M0159	
ADJUSTING MECHANISM	
15	

M0172	
ADJUSTING MECHANISM	
12, 12a - 12j, 13, 14, 14a, 14b, 15	

M0174	
MCKI253	
CALIPER PIN BOOT SET	
1, 9, 30	

M0155	
GASKET	
15a	

M0116	
ADJUSTING MECHANISM SEALING	
14, 14a, 14b	

M0000	

M0000	

M0000	

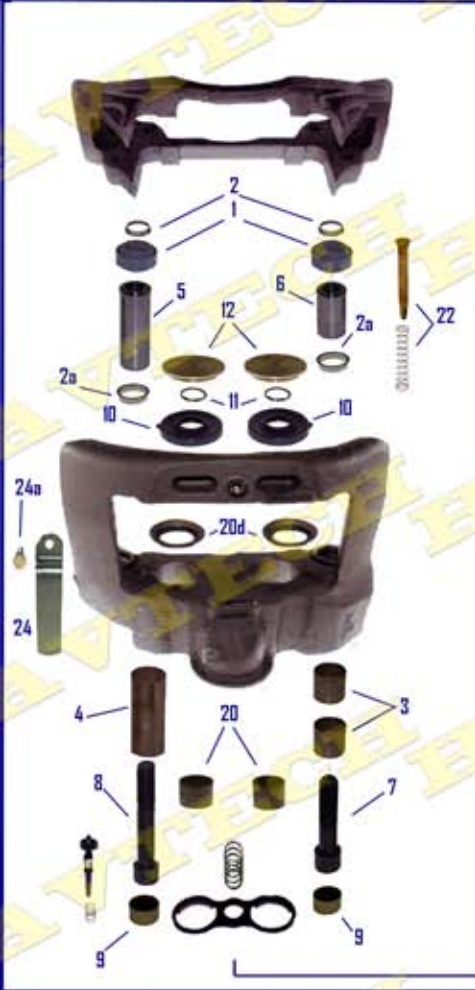
M0000	

M0000	

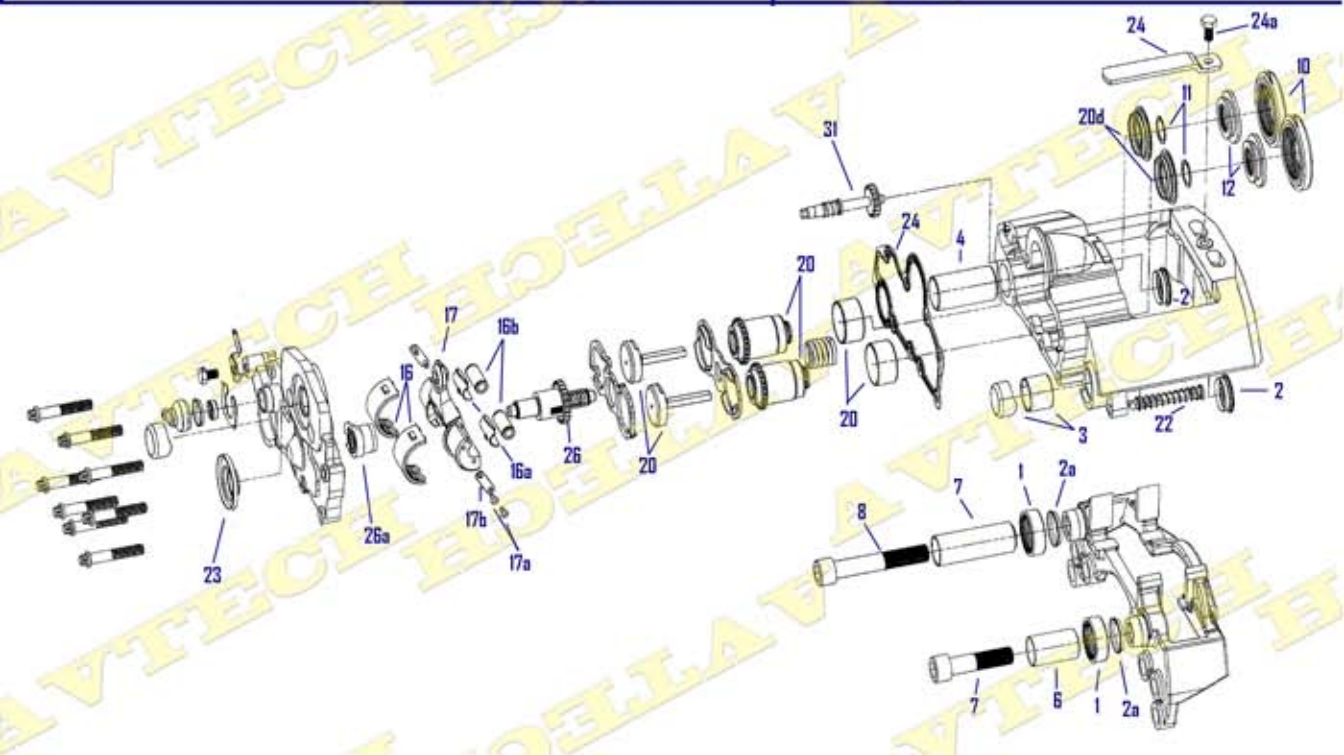


WWW.ATRIY.PL

B DUCO



LRG 552, 553



MERITOR

WWW.ATRIY.PL

M0066	
MCK1134/MCK1116	
GUIDE PINS & SEALS	
1, 2, 2a, 3, 4, 5, 6, 7, 8, 9	

M0082	
68322655PK10	
ADJUSTER STEM DUST	
25	

M0021	
MCK1139/68324854PK10	
ADJUSTER TAPPETS COVER	
10	

M0139	
CALIPER PIN BOOT SET	
1	

M0070	
SJ4111	
VISUAL WEAR PAD ASSEMBLY	
22	

M0171	
CALIPER HALF BEARING SET	
16	

M0071	
MCK1299/MCK1065/MCK1066	
GUIDE PIN BOLT & DUST COVER	
1, 6, 9	

M0180	
MCK1239	
ADJUSTER TAPPET (L & R)	
10, 11, 12, 19, 20, 20d	

M0075	
SJ4112	
BEARINGS	
16, 16a, 16b	

M0177	
MCK1048	
OPERATING SHAFT (LEVER) (L & R)	
16, 16a, 16b, 17, 17a, 17c, 23	

M0078	
MCK1238	
TAPPET HEAD	
10, 11, 12	

M0176	
MCK1050	
AUTOMATIC ADJUSTING	
26, 26a	



WWW.ATRIY.PL

M0182	
MCK1263	
PAD RETAINER	
24, 24a	

M0000	

M0000	

M0000	

M0000	

M0000	

M0000	

M0000	

M0000	

M0000	

M0000	

M0000	

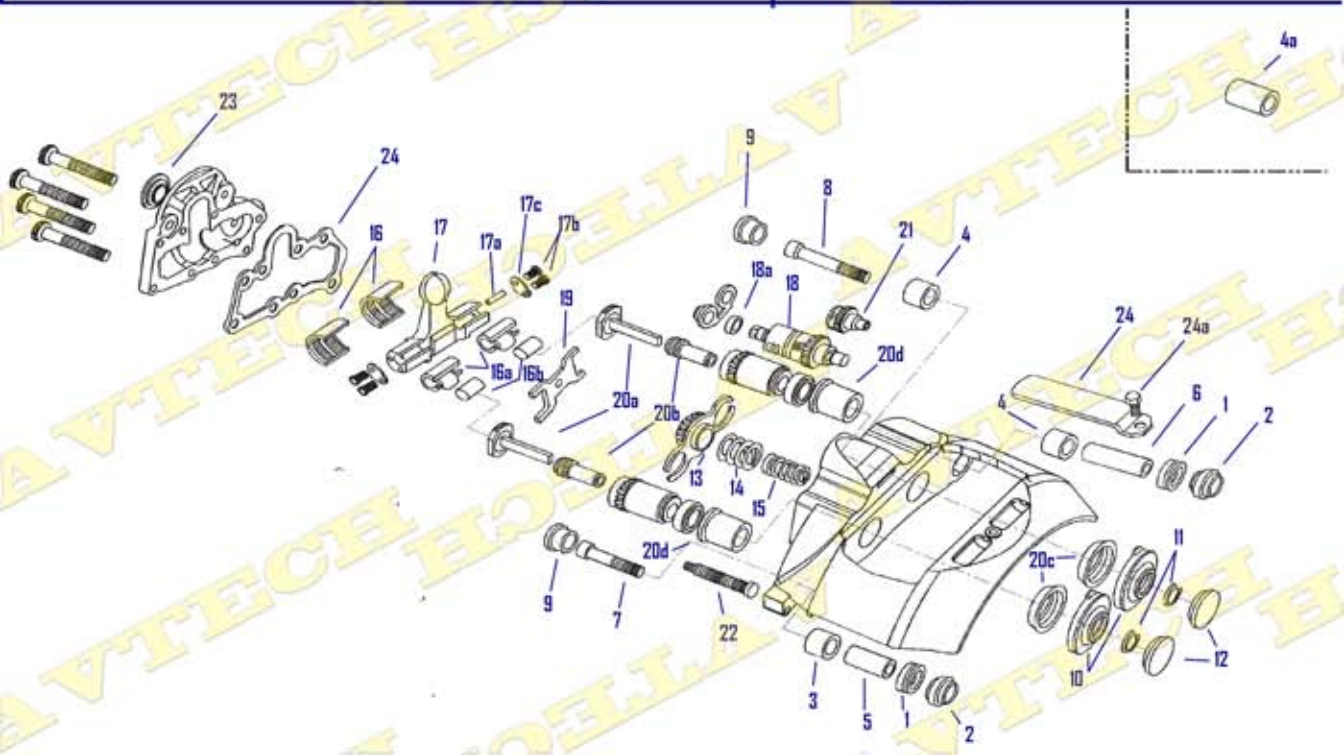


WWW.ATRIY.PL

C DUCO



LRG 560, 561, 648, 649



MERITOR

WWW.ATRIY.PL

M0066	
MCK1134/MCK1116	
GUIDE PINS & SEALS	
I, 2, 2a, 3, 4, 5, 6, 7, 8, 9	

M0071	
MCK1299/MCK1065/ MCK1066	
GUIDE PIN BOLT & DUST COVER	
I, 6, 9	

M0074	
MCK1236/SJ4100	
ADJUSTING TAPPET MECHANISM (LEFT)	
10, 11, 12, 19, 20, 20a, 20b, 20c, 20d	

M0083	
MCK1237	
ADJUSTING TAPPET MECHANISM (RIGHT)	
10, 11, 12, 19, 20, 20a, 20b, 20c, 20d	

M0067	
MCK1067	
INTERMEDIATE GEAR & SPRING	
13, 14, 15	

M0181	
68322485PK10	
ANTI ROTATION PLATE	
19	

M0069	
MCK1264	
PAD RETAINER	
24, 24a	

M0082	
68322655PK10	
ADJUSTER STEM DUST	
25	

M0070	
SJ4111	
VISUAL WEAR PAD ASSEMBLY	
22	

M0078	
MCK1238	
TAPPET HEAD	
10, 11, 12	

M0073	
SJ4103/SJ4110/MCK1112	
AUTOMATIC ADJUSTER (CLOCKWISE)	
18, 18a	

M0072	
SJ4102/MCK1111	
AUTOMATIC ADJUSTER (ANTI - CLOCKWISE)	
18, 18a	

M0134

3092262

ADJUSTING TAPPET
MECHANISM (L)10, 11, 12, 19, 20, 20a, 20b
20c, 20d**M0133**

3092263

ADJUSTER TAPPET (R)

10, 11, 12, 19, 20, 20a, 20b
20c, 20d**M0094**

68322562PK4

SMALL GEAR MECHANISM

21

**M0095**

68322563PK4

SMALL GEAR MECHANISM

21

**M0178**

MCK1127

OPERATING SHAFT (LEFT)

16, 16a, 16b, 17, 17a, 17b,
17c, 23**M0179**

MCK1128

OPERATING SHAFT
(RIGHT)16, 16a, 16b, 17, 17a, 17b,
17c, 23**M0103**

MCK1041

COVER PLATE SEAL

18a, 23, 24, 25

**M0154**

GASKET

24

**M0075**

SJ4112

BEARINGS

16, 16a, 16b

**M0171**CALIPER HALF BEARING
SET

16

**M0139**

CALIPER PIN BOOT SET

**M0021**

MCK1139/68324854PK10

ADJUSTER TAPPETS
COVER

10



MERITOR

WWW.ATRIY.PL

M0066	
MCK1134/MCK1116	
GUIDE PINS & SEALS	
1, 2, 2a, 3, 4a, 5, 6, 7, 8, 9	

M0071	
MCK1299/MCK1065/ MCK1066	
GUIDE PIN BOLT & DUST COVER	
1, 6, 9	

M0021	
MCK1139/68324854PK10	
ADJUSTER TAPPETS COVER	
10	

M0072	
SJ4102/MCK1111	
AUTOMATIC ADJUSTER (ANTI - CLOCKWISE)	
18, 18a	

M0067	
MCK1067	
INTERMEDIATE GEAR & SPRING	
13, 14, 15	

M0073	
SJ4103/SJ4110/MCK1112	
AUTOMATIC ADJUSTER (CLOCKWISE)	
18, 23	

M0068	
68322900PK10	
TAPPET ANTI ROTATION PLATE	
19	

M0171	
CALIPER HALF BEARING SET	
16	

M0069	
MCK1264	
PAD RETAINER	
24	

M0075	
SJ4112	
BEARINGS	
16, 16a, 16b	

M0070	
SJ4111	
VISUAL WEAR PAD ASSEMBLY	
22	

M0077	
SJ4096	
OPERATING SHAFT (LEVER) (L & R)	
16, 16a, 16b, 17, 17a, 17b, 17c, 23	

WWW.ATRIY.PL

M0078

MCK1238

TAPPET HEAD

10, 11, 12

**M0139**

CALIPER PIN BOOT SET

1

**M0080**

SJ4105

COVER PLATE SEAL

18a, 23, 24, 25

**M0081**

68322774PK4

GASKET

24

**M0134**

3092262

ADJUSTER TAPPET (L)

10, 11, 12, 19, 20, 20a, 20b,
20c, 20d**M0133**

3092263

ADJUSTER TAPPET (R)

10, 11, 12, 19, 20, 20a, 20b,
20c, 20d**M0082**

68322655PK10

ADJUSTER STEM DUST

25

**M0135**

85102095/MCK1113

ADJUSTING MECHANISM
SHAFT (FRONT) (L & R)

18, 23

**M0074**

MCK1236/SJ4100

ADJUSTING TAPPET
MECHANISM (LEFT)10, 11, 12, 19, 20, 20a, 20b,
20c, 20d**M0083**

MCK1237

ADJUSTING TAPPET
MECHANISM (RIGHT)10, 11, 12, 19, 20, 20a, 20b,
20c, 20d**M0094**

68322562PK4

SMALL GEAR MECHANISM

21

**M0095**

68322563PK4

SMALL GEAR MECHANISM

21



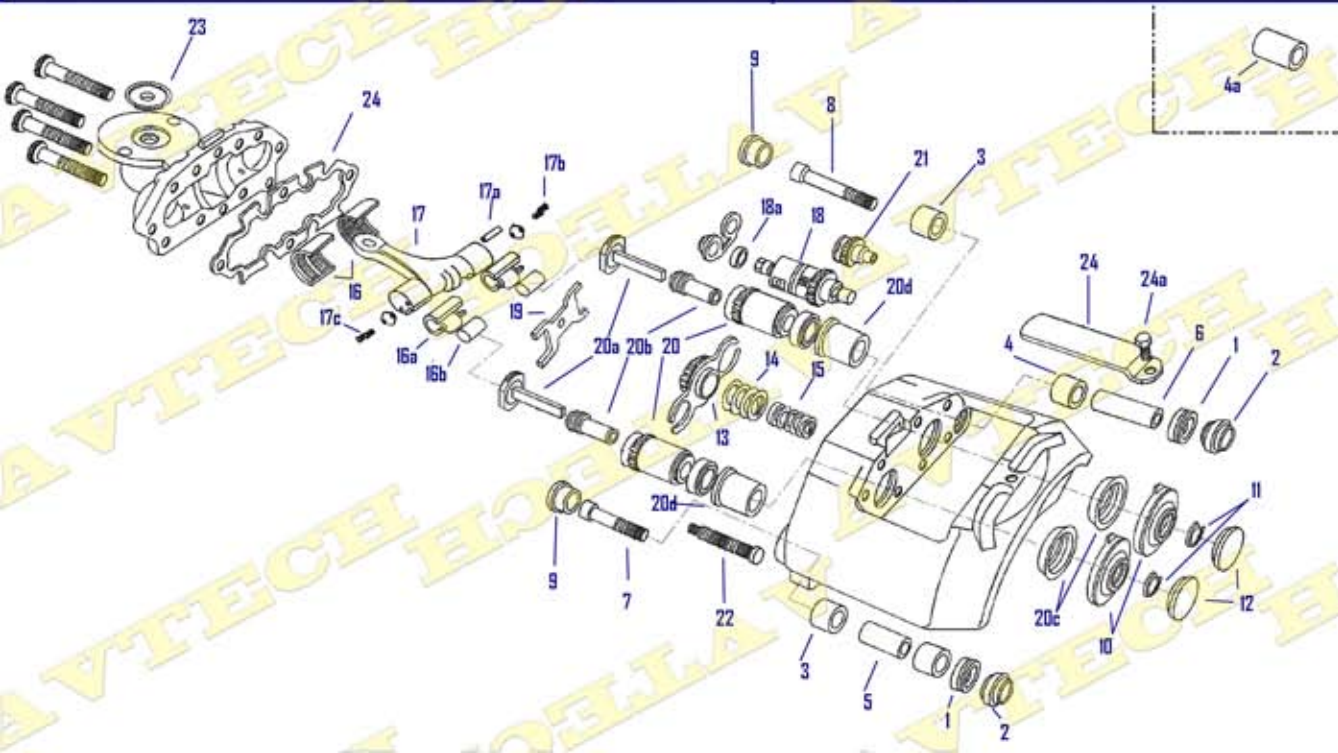


WWW.ATRIY.PL

D DUCO Radial



LRG 558, 559, 598, 599,
652, 653





D DUCO Radial MERITOR

WWW.ATRIY.PL

M0130	
MCK1135/MCK1118/ SJ4107	
GUIDE PIN & SEALS	
1, 2, 3, 4a, 5, 6, 7, 8, 9	

M0071	
MCK1299/MCK1065/ MCK1066	
GUIDE PIN BOLT & DUST COVER	
1, 6, 9	

M0067	
MCK1067	
INTERMEDIATE GEAR & SPRING	
13, 14, 15	

M0078	
MCK1238	
TAPPET HEAD	
10, 11, 12	

M0068	
68322900PK10	
TAPPET ANTI ROTATION PLATE	
19	

M0082	
68322655PK10	
ADJUSTER STEM DUST	
25	

M0069	
MCK1264	
PAD RETAINER	
24	

M0083	
MCK1237	
ADJUSTING TAPPET MECHANISM (RIGHT)	
10, 11, 12, 19, 20, 20a, 20b, 20c, 20d	

M0070	
SJ4111	
VISUAL WEAR PAD ASSEMBLY	
22	

M0094	
68322562PK4	
SMALL GEAR MECHANISM	
21	

M0073	
SJ4103/SJ4110/MCK1112	
AUTOMATIC ADJUSTER (CLOCKWISE)	
18, 23	

M0184	
OPERATING SHAFT	
16, 16a, 16b, 17, 17a, 17b, 17c, 23	



WWW.ATRIY.PL

M0021	
MCK1139/68324854PK10	
ADJUSTER TAPPETS COVER 10	

M0133	
3092263	
ADJUSTER TAPPET (R) 10, 11, 12, 19, 20, 20a, 20b 20c, 20d	

M0131	
SJ4109	
COVER PLATE SEAL 18a, 23, 24, 25	

M0153	
GASKET 24	

M0132	
SJ4098	
BEARING 16, 16a, 16b	

M0171	
CALIPER HALF BEARING SET 16	

M0000	

M0139	
CALIPER PIN BOOT SET 1	

M0000	

M0000	

M0000	

M0000	

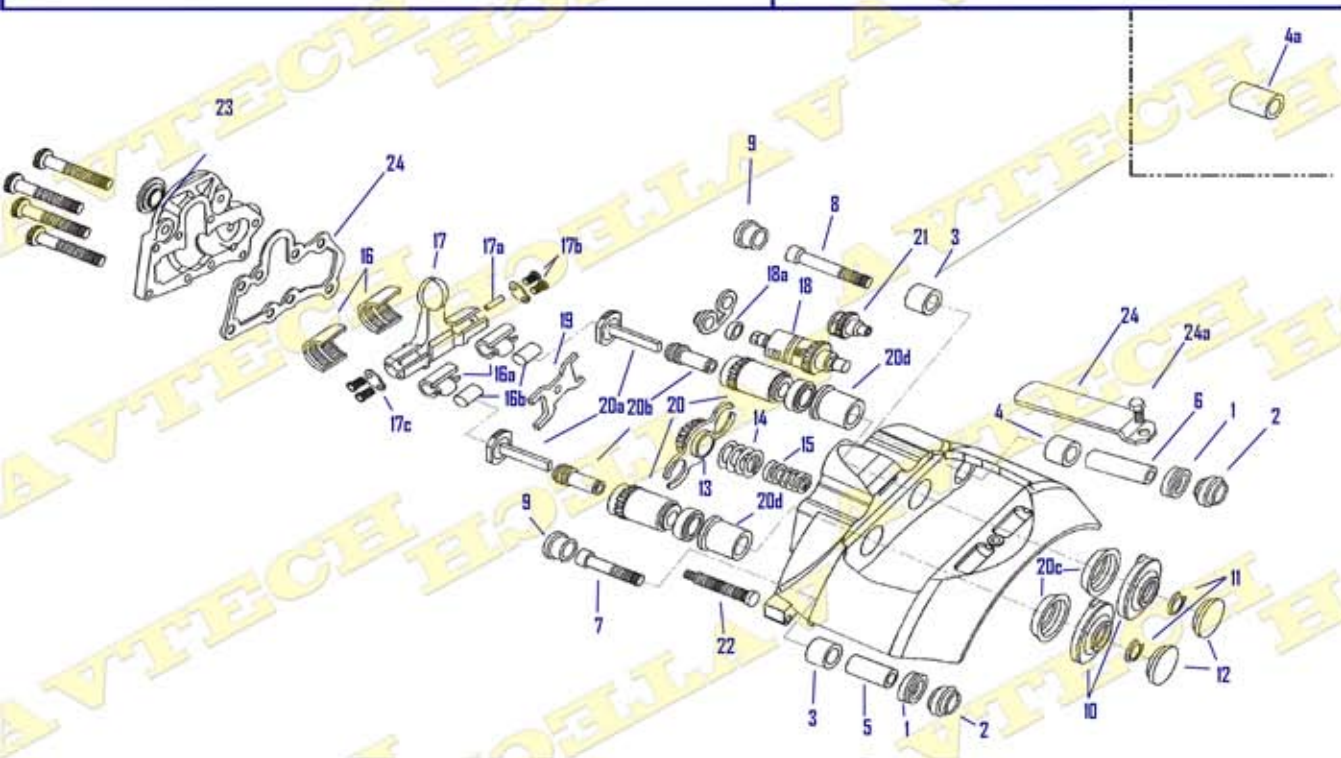
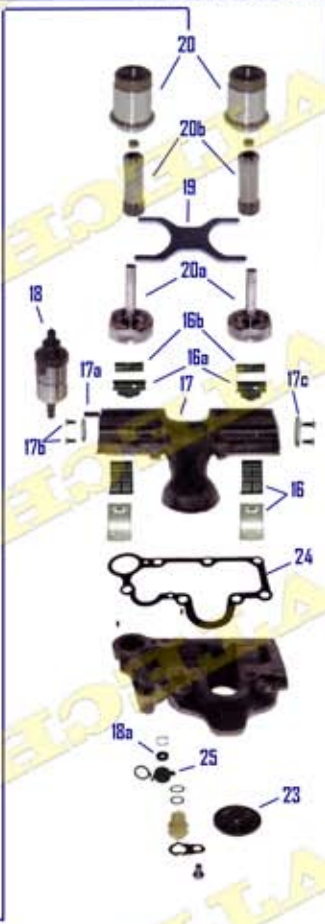


WWW.ATRIY.PL

LE DUCO



LRG 650, 651



MERITOR

WWW.ATRIY.PL

M0066	
MCK1134/MCK1116	
GUIDE PINS & SEALS	
1, 2, 2a, 3, 4, 5, 6, 7, 8, 9	

M0073	
SJ4103/SJ4110/MCK1112	
AUTOMATIC ADJUSTER (CLOCKWISE)	
18, 18a	

M0074	
MCK1236/SJ4100	
ADJUSTING TAPPET MECHANISM (LEFT)	
10, 11, 12, 19, 20, 20a, 20b, 20c, 20d	

M0083	
MCK1237	
ADJUSTING TAPPET MECHANISM (RIGHT)	
10, 11, 12, 19, 20, 20a, 20b, 20c, 20d	

M0171	
CALIPER HALF BEARING SET	
16	

M0075	
SJ4112	
BEARINGS	
16 16a, 16b	

M0070	
SJ4111	
VISUAL WEAR PAD ASSEMBLY	
22	

M0078	
MCK1238	
TAPPET HEAD	
10, 11, 12	

M0071	
MCK1299/MCK1065/MCK1066	
GUIDE PIN BOLT & DUST COVER	
1, 6, 9	

M0082	
68322655PK10	
ADJUSTER STEM DUST	
25	

M0072	
SJ4102/MCK1111	
AUTOMATIC ADJUSTER (ANTI - CLOCKWISE)	
18, 23	

M0139	
CALIPER PIN BOOT SET	
1	

WWW.ATRIY.PL

M0134

3092262

ADJUSTER TAPPET (L)

10, 11, 12, 19, 20, 20a, 20b,
20, c, 20d**M0133**

3092263

ADJUSTER TAPPET (R)

10, 11, 12, 19, 20, 20a, 20b,
20, c, 20d**M0095**

68322563PK4

SMALL GEAR MECHANISM

21

**M0094**

68322562PK4

SMALL GEAR MECHANISM

21

**M0178**

MCK1127

OPERATING SHAFT (LEFT)

16, 16a, 16b, 17, 17a, 17b,
23**M0179**

MCK1128

OPERATING SHAFT (RIGHT)

16, 16a, 16b, 17, 17a, 17b,
23**M0069**

MCK1264

PAD RETAINER

24

**M0181**

68322485PK10

ANTI ROTATION PLATE

19

**M0021**

MCK1139/68324854PK10

ADJUSTER TAPPETS
COVER

10

**M0103**

MCK1041

COVER PLATE SEAL

18a, 23, 24, 25

**M0104**

MCK1129

INTERMEDIATE GEAR &
SPRING

13, 14, 15

**M0154**

GASKET

24



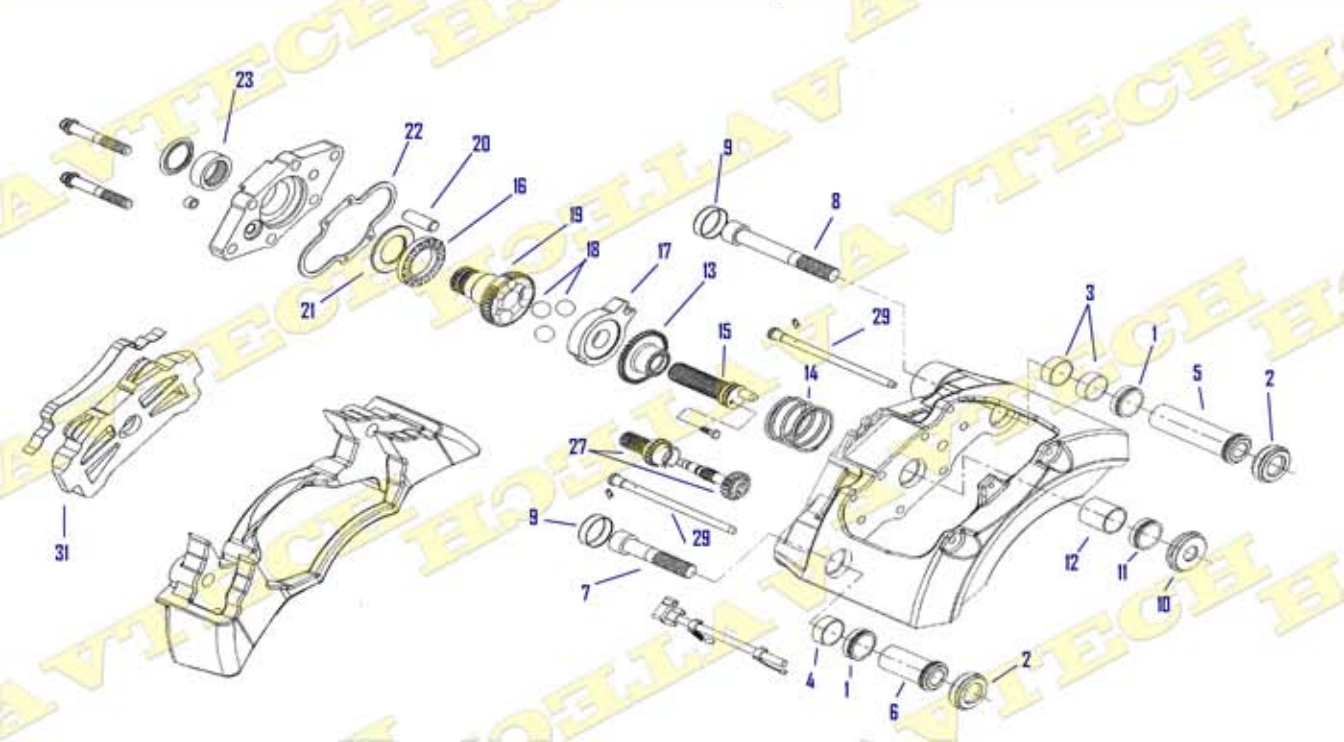


WWW.ATRIY.PL

CLISA



LRG 554, 555, 594, 595



MERITOR

WWW.ATRIY.PL

M0102
SJ4052
GUIDES & SEALS
1, 2, 3, 4, 5, 6, 7, 8, 9



M0106
SJ4078
BOOT & SEALS
1, 10, 22, 24, 25, 26



M0004
SHAFT
19



M0009
SHAFT
19



M0005
SHAFT BASE
17



M0010
SHAFT BASE
17



M0008
MCK1021/MCK1151/ SJ4029
OPERATING SHAFT (LEFT)
17, 18, 19, 20



M0011
MCK1022/MCK1151/ SJ4030
OPERATING SHAFT (RIGHT)
17, 18, 19, 20



M0006
BALLS
18



M0013
SJ4031
NEEDLE & ROLLER BEARINGS
11, 16, 21, 23



M0007
SPRING
14



M0084
ROLLER BEARING
23



M0014	
SJ4073	
ADJUSTER TAPPET (LEFT)	
15, 17	

M0015	
SJ4074	
ADJUSTER TAPPET (RIGHT)	
15, 17	

M0002	
SJ4113	
ADJUSTING MECHANISM (LEFT)	
27	

M0003	
SJ4114	
ADJUSTING MECHANISM (RIGHT)	
27	

M0139	
BOOT & SEALS	
1	

M0183	
SJ4117	
PUSH PLATE	
31	

M0000	

M0000	

M0000	

M0000	

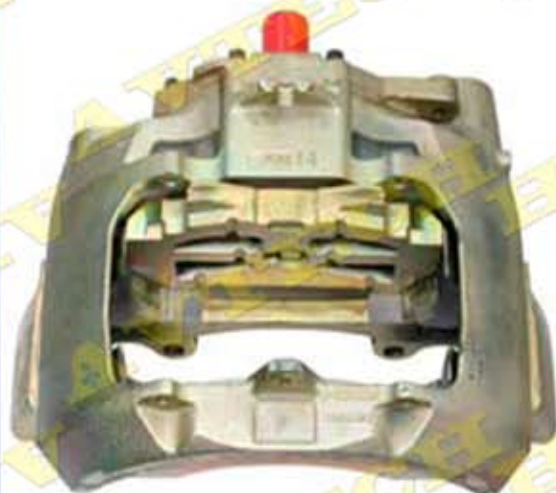
M0000	

M0000	

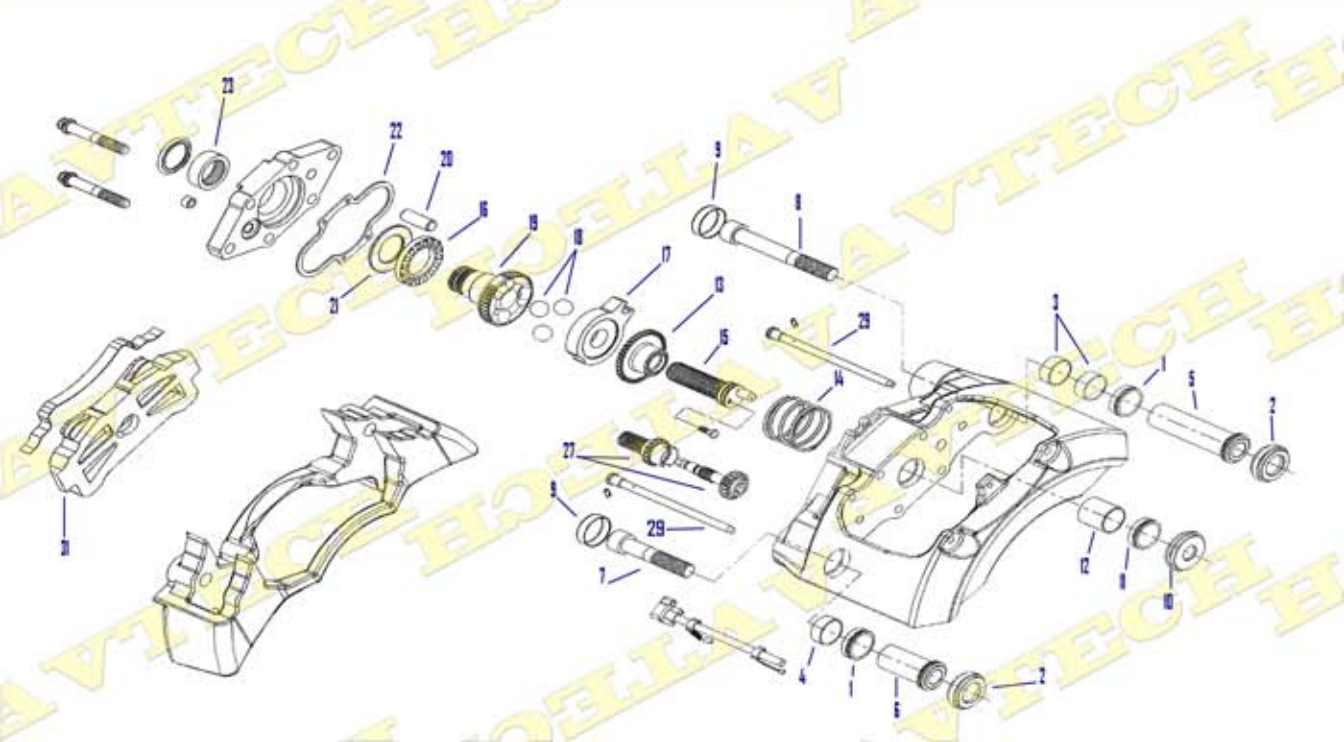


WWW.ATRIY.PL

D LISA



LRG 548, 549, 550, 551



MERITOR

WWW.ATRIY.PL

M0012	
SJ4076	
GUIDES PINS & SLEEVES	
I, 2, 3, 4, 5, 6, 7, 8, 9	

M0106	
SJ4078	
BOOT & SEALS	
I, 10, 22, 24, 25, 26	

M0004	
SHAFT	
19	

M0009	
SHAFT	
19	

M0005	
SHAFT BASE	
17	

M0010	
SHAFT BASE	
17	

M0008	
MCK1021/MCK1151/ SJ4029	
OPERATING SHAFT (LEFT)	
17, 18, 19, 20	

M0011	
MCK1022/MCK1151/ SJ4030	
OPERATING SHAFT (RIGHT)	
17, 18, 19, 20	

M0006	
BALLS	
18	

M0013	
SJ4031	
NEEDLE & ROLLER BEARINGS	
11, 16, 21, 23	

M0007	
SPRING	
14	

M0093	
ADJUSTER STEM DUST	
3	

M0014	
SJ4073	
ADJUSTER TAPPET (LEFT)	
15, 17	

M0015	
SJ4074	
ADJUSTER TAPPET (RIGHT)	
15, 17	

M0002	
SJ4113	
ADJUSTING MECHANISM (LEFT)	
27	

M0003	
SJ4114	
ADJUSTING MECHANISM (RIGHT)	
27	

M0139	
BOOT & SEALS	
1	

M0183	
SJ4117	
PUSH PLATE	
31	

M0084	
ROLLER BEARING	
23	

M0000	

M0000	

M0000	

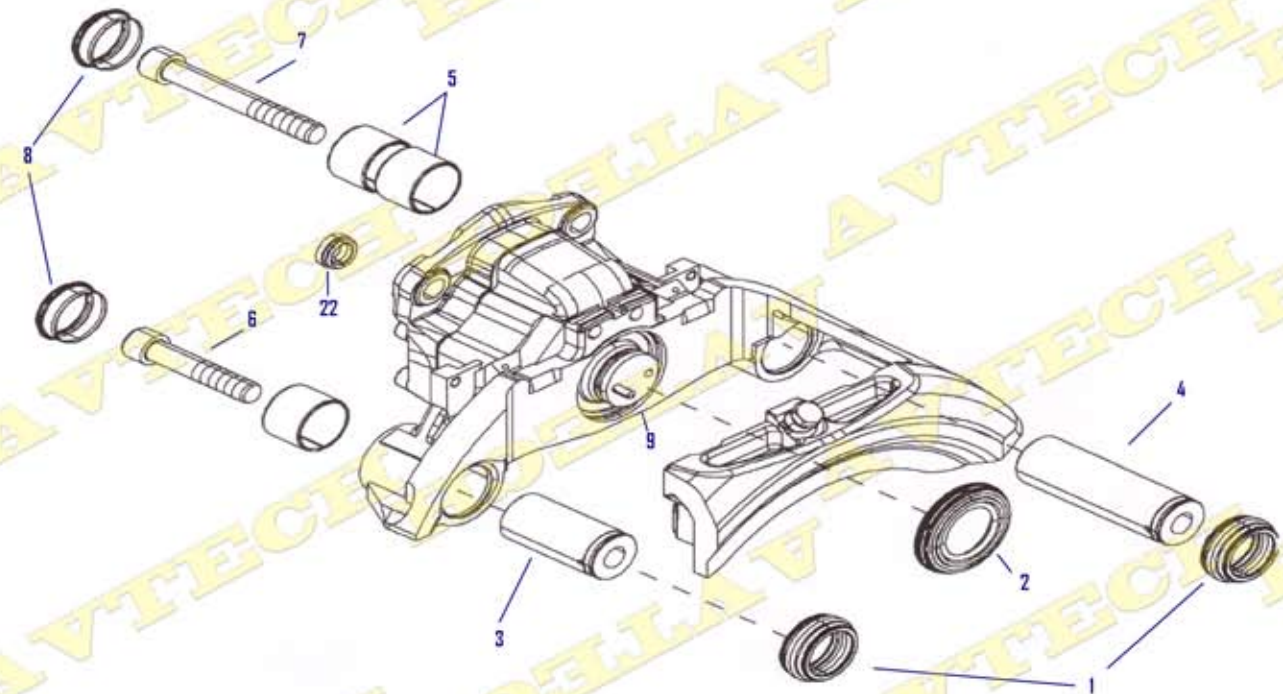
M0000	

M0000	



WWW.ATRIY.PL

17,5 "TAPES



W0017	
12999699	
GUIDES & SEALS	
1, 2, 3, 4, 5, 6, 7, 8	

W0008	
GASKET & SEALS	
21, 22, 23	

W0029	
CALIBRATION BOLT WITH PIN (87MM)	
9	

W0032	
CALIBRATION BOLT WITH GROOVE (87MM)	
9a	

W0004	
HALF BEARINGS	
19	

W0010	
GUIDES & SCREWS	
3, 4, 6, 7, 24	

W0030	
CALIPER ADJ MECHANISM SET (WITH GROOVE)	
9a, 10, 13, 13a, 13b, 13c, 14, 15, 16, 17, 18	

W0011	
PUSH PLATE (L)	
24	

W0028	
CALIPER ADJ MECHANISM SET	
9a, 10, 13, 13a, 13b, 13c, 14, 15, 16, 17, 18	

W0012	
PUSH PLATE (R)	
25	

W0007	
LEVER	
20	

W0048	
ADJUSTING MECHANISM WASHER & SPRING SET	
13, 13a, 13b, 13c, 17, 18	

W0022	
12999704	
BOOTS & SEALS	
1, 2, 5, 6, 7, 8	

W0031	
BRAKE CALIPER REPAIR SET	
1 - 8, 9a, 10, 13, 13a, 13b, 13c, 14, 15, 16, 17, 18	

W0023	
12999580/ 81508226003	
BOOTS & SEALS	
1, 2, 5, 6, 7, 8, 21, 23, 24	

W0009	
BOOTS & SEALS	
1, 2, 5, 8	

W0027	
BRAKE CALIPER REPAIR SET	
1 - 8, 9, 10, 13, 13a, 13b, 13c, 14, 15, 16, 17, 18	

W0033	
BRAKE LINING PLATE (WITH PIN) - R	
27	

W0038	
CALIPER BOOT SET	
1, 2	

W0034	
BRAKE LINING PLATE (WITH PIN) - L	
26	

W0006	
CALIPER ADJ MECHANISM SET	
28	

W0047	
SHAFT HOUSING	
12	

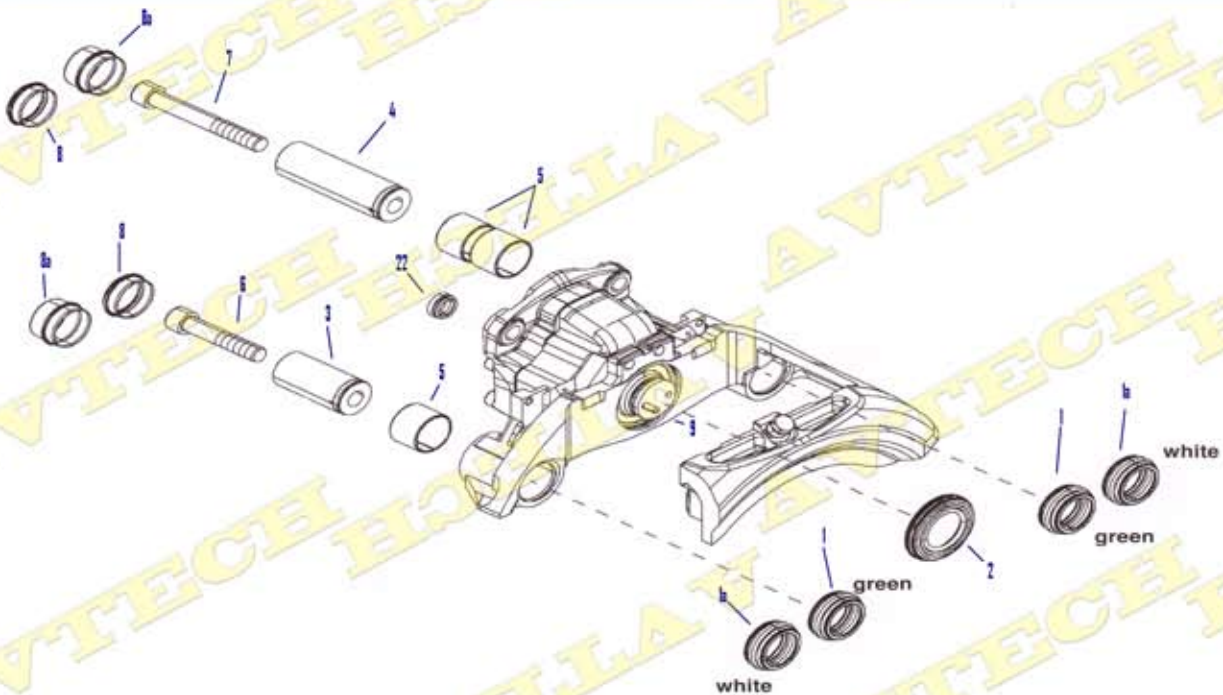
W0000	

W0000	



WWW.ATRIY.PL

19,5" TYPES



W0021	
12999776	
GUIDES & SEALS	
1, 2, 3, 4, 5, 6, 7, 8, 8a,	

W0015	
BRAKE LINING PLATE (WITH GROOVE)-L	
24	

W0004	
HALF BEARINGS	
19	

W0016	
BRAKE LINING PLATE (WITH GROOVE)-L	
25	

W0007	
LEVER & PIN	
20	

W0019	
12999738/3434382701	
GUIDES & SEALS	
1a, 3, 4, 5, 6, 7, 8, 8a, 23	

W0008	
GASKET & SEALS	
21, 22, 23	

W0051	
BRAKE LINING PLATE (WITH GROOVE)-L	
26	

W0013	
BOOT, SEALS & CAPS	
1, 2, 5, 8	

W0052	
BRAKE LINING PLATE (WITH GROOVE)-R	
27	

W0014	
GUIDES & SCREWS	
3, 4, 6, 7, 24	

W0035	
CALIPER BOOT SET	
1, 2	




W0036	
CALIPER ADJUSTING MECHANISM SET	
9, 10, 13, 13a, 13b, 13c, 14, 15, 16, 17, 18	

W0046	
SHAFT HOUSING	
12	

W0037	
BRAKE CALIPER REPAIR SET	
1 - 8, 9, 10, 13, 13a, 13b, 13c, 14, 15, 16, 17, 18	

W0050	
CALIPER BOOT & PIN BUSH REPAIR KIT	
1, 1a, 2, 5, 8, 8a	

W0039	
PIN BOOT	
1	

W0048	
ADJUSTING MECHANISM WASHER & SPRING SET	
13, 13a, 13b, 13c, 17, 18	

W0040	
CALIBRATION BOLT GIMM	
9	

W0049	
CALIPER BOOT & PIN REPAIR KIT	
1, 1a, 2, 3, 4, 5, 6, 7, 8, 8a	

W0053	
CALIPER ADJ MECHANISM SET	
9, 10, 12, 13, 13a, 13b, 13c, 14, 15, 16, 17, 18	

W0000	

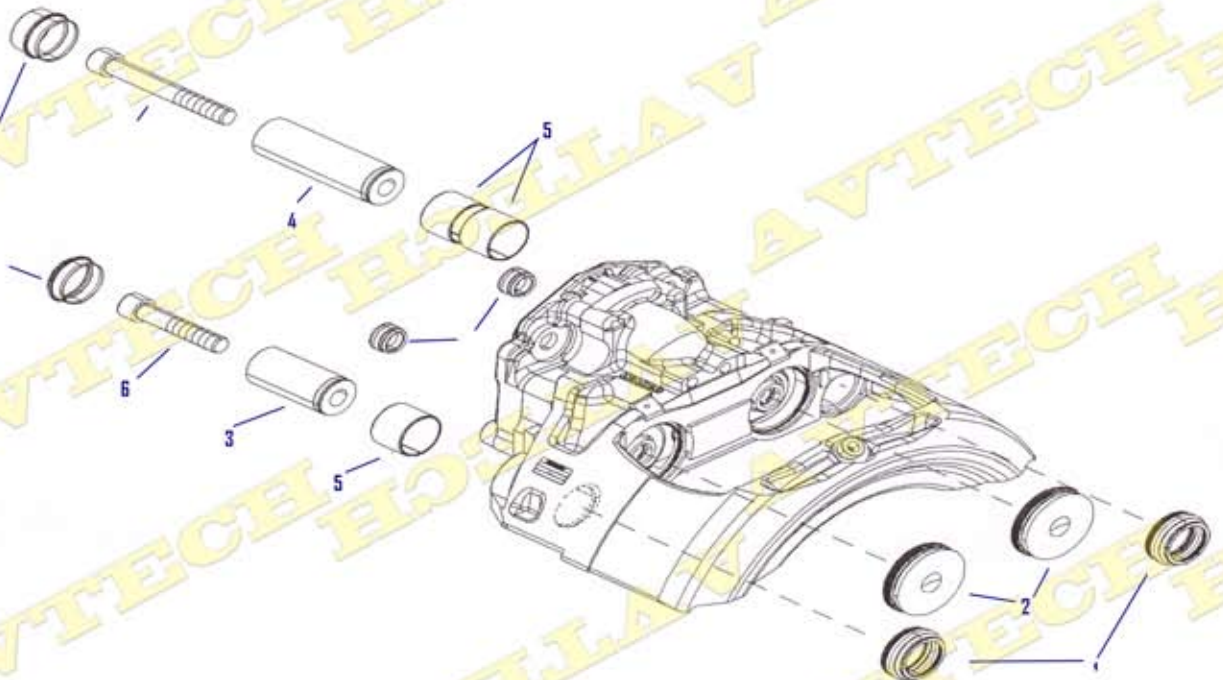
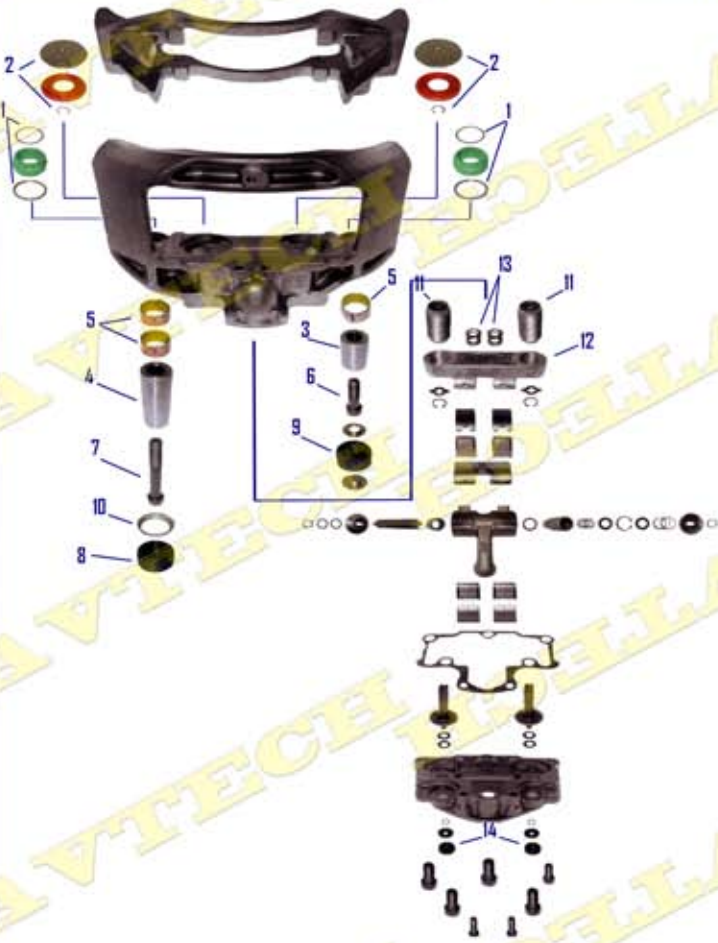
W0000	

W0000	



WWW.ATRIY.PL

22,5" TYPES





W0001	
12999678	
GUIDES & SEALS	
I, 3, 4, 5, 6, 7, 8, 9, 10	

W0041	
CALIPER TAPPET & BOOT SET	
2	

W0024	
12999677/M100667	
SEALS & BOOTS	
I, 2, 6, 7, 8, 9, 10, 14	

W0043	
CALIPER CALIBRATION BOLT -R	
11	

W0039	
PIN BOOT	
I	

W0044	
CALIPER CALIBRATION BOLT -L	
11	

W0045	
CALIPER SHAFT HOUSING SET	
11, 12, 13	

W0000	

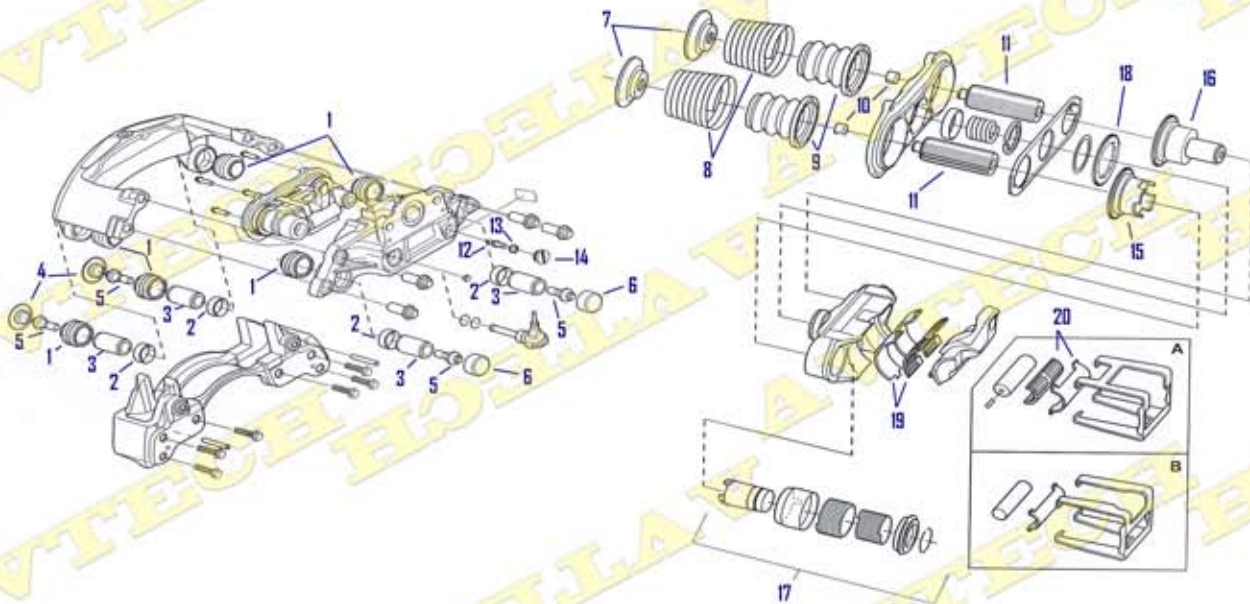
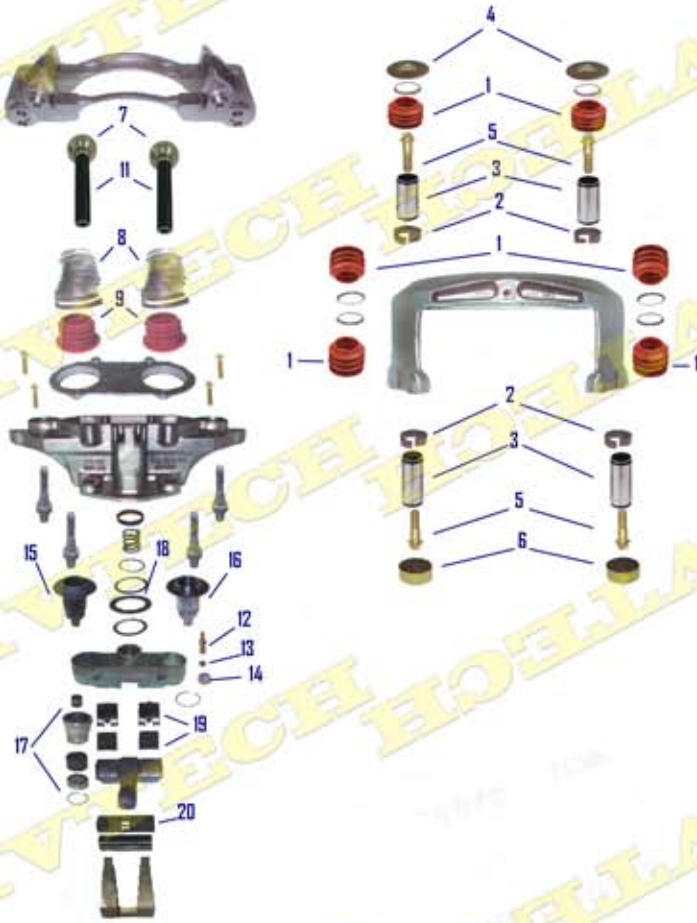
W0000	

W0000	


W0000	

W0000	


MODUL X



H0001	
89794	
CALIPER BOOT SET	
8, 9	

H0007	
CALIPER AJUSTING MECHANISM GEAR	
15	

H0003	
91011	
CALIPER BOOT SET	
8, 9, 14	


H0008	
CALIPER INTERMEDIATE GEAR	
18	

H0002	
91012	
CALIPER PIN REPAIR KIT	
1, 2, 3, 4, 5, 6, 14	

H0009	
CALIPER MANUAL AJUSTING GEAR	
16	

H0004	
91013	
CALIPER BOOT & CAP SET	
1, 2, 4, 6, 14	

H0010	
CALIPER TAPPET & CALIBRATION BOLT	
7, 11	

H0015	
CALIPER PIN BOOT SET	
1	

H0011	
CALIPER ROLLER BEARING	
20	

H0006	
CALIPER AJUSTING MECHANISM	
17	

H0012	
CALIPER ROLLER BEARING SET	
19	



WWW.ATRIY.PL

H0005
90693
CALIPER AJUSTER SHAFT SET
12, 13, 14



H0013
91014
CALIPER BOOT & CAP SET
1, 2, 4, 6, 14



H0014
CALIPER CAP SET
6



H0000



H0000



H0000



H0000



H0000



H0000



H0000



H0000



H0000





Tadeusha Wendy 15, 81-341 Gdynia, Poland
tel/fax. +48 58 620 82 35, tel. +48 693 480 800
<http://www.atrivy.pl>; Email: info@atrivy.pl

