

INTRODUCTION

GENERAL INDEX

Gives « recognized » descriptions of groups, and the page numbers covering them

“ORIGINAL” NUMBERS

Means the part numbers used by the manufacturer (*Wabco, Knorr, Haldex, ...*).

A complete cross reference for these numbers to TT numbers, and vice-versa, is given on our website : <http://www.trucktechnic.com>

OEMs

Means Vehicle Makers. Only the main OEM part numbers are given.

Most other information is self-explanatory, if you need more, consult us (trucktechnic@trucktechnic.com).

OEM abbreviations used :			
Main OEMs	Other OEMs		
DAF = DAF	AUW = AUWARTER	FRU = FRUEHAUF	NEO = NEOPLAN
DAI = DAIMLER BENZ	BPW = BPW	GIG = GIGANT	PEG = PEGASO
IVE = IVECO	CAT = CATERPILLAR	GOL = GOLDHOFER	PER = PERKINS
MAN = MAN	CUM = CUMMINS	HIN = HINO	POC = POCLAIN
RVI = RVI	DEN = DENNIS	IKA = IKARUS	RAB = RABA
SCA = SCANIA	EBR = EBRO	ISU = ISUZU	ROR = ROR
VOL = VOLVO	ERF = ERF	KAM = KAMAZ	ROM = ROMAN
	EVO = EVOBUS	KEN = KENWORTH	SCH = SCHMITZ
	FAU = FAUN	LEC = LECINENA	TAT = TATRA
	FIA = FIAT	LEY = LEYLAND	VHO = VAN HOOL

REPAIR KITS are shown at the end of each section in ALPHA-NUMERICAL ORDER

ORIGINAL - TT NEW - RECONDITIONED ?

Our offers and our invoices clearly define the origin of all parts :

- > Any part that begins with a '**T**' = New, of our own manufacture.
- > Any part that ends with '**OR**' = ORIGINAL (Wabco, Knorr, etc ...)
- > Any part that begins with '**RO**' = Rebuild in our workshops using original spare parts
- > Otherwise = **Reconditioned**



All original part numbers, manufacturer's names, logos & symbols are used for identification purposes only.



GROUP 1

Pages 5 to 26

ACCESSORIES

- > Nylon Tubing
- > Palm coupling, Diaphragms
- > Silencers, Port plugs, Fan Clutch
- > Lubricants/ Grease,
- > Test Benches
- > Promotional Material / Catalogues



GROUP 2

Pages 27 to 47

AIR DRYERS

- > Bendix - Bosch - Haldex - Knorr
- > Wabco



GROUP 3

Pages 48 to 87

AIRPAKS, SERVOS, MASTER CYLINDERS



GROUP 4

Pages 88 to 108

**MANUAL & AUTOMATIC
BRAKE ADJUSTERS**



GROUP 5

Pages 110 to 183

CLUTCH SERVOS



GROUP 6

Pages 184 to 280

COMPRESSORS

- > Bendix - Clayton
- > Dahl - Grau - Marelli - Man - Varga
- > Cummins - Holset
- > Knorr (Single & Twin) Cylinders
- > Wabco (Single & Twin) Cylinders



GROUP 7

Pages 281 to 290

**DOOR OPENING, GEARBOX
& EXHAUST BRAKE OPERATING UNITS**



GROUP 8

Pages 291 to 303

ELECTROMAGNETIC PILOT VALVES

- > ABS
- > ECAS
- > Electro - Gearboxes & Auxiliary systems
- > Herion electrovalves



GROUP 9

Pages 304 to 320

FOOT VALVES



GROUP 10

Pages 321 to 325

GOVERNORS , UNLOADERS





GROUP 11

Pages 326 to 339

HAND CONTROL VALVES



GROUP 12

Pages 341 to 352

LOAD SENSING VALVES
 > Bendix - Marelli - Bosch - Grau
 > Knorr - Dahl
 > Wabco
 > Miscellaneous



GROUP 13

Pages 353 to 369

PRESSURE CONTROL
 PROTECTION VALVES



GROUP 14

Pages 370 to 381

A. RELAY EMERGENCY VALVES



B. RELAY VALVES



GROUP 15

Pages 382 to 404

BRAKE CHAMBERS
 BRAKE ACTUATORS
 SPRING BRAKES



GROUP 16

Pages 405 to 417

LEVELLING VALVES
 SUSPENSION VALVES
 HEIGHT SENSOR VALVES



GROUP 17

Pages 418 to 425

TRAILER RELAY VALVES



GROUP 18

Pages 426 to 427

DISC BRAKE CALIPERS
 > Disc Pad Sets



GROUP 19

Pages 428 to 432

POWER STEERING PUMPS
 >LUK
 >ZF



GROUP 20

Pages 433 to 437

OIL SEALS



GROUP 22

Pages 438 to 440

AIR SPRINGS





Coiled Tubing - Nylon Tubing - Power supply cable



Palm couplings



Visco Fan Clutch



Silencers



Port plugs



Brake Diaphragms



Lubricants / Grease



Test benches



Promotional material / Catalogues

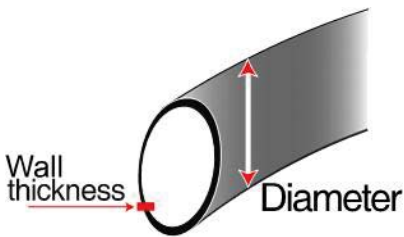


COILED TUBING - SUSIES



N°	TT NUMBER	WABCO	KNORR	HALDEX	REMARKS
1	20.11.001	452.711.001	112.1482.000	033016509	RED M22 x 1.5
	20.11.005	452.711.011	AB32316 Z/R	-	RED M16 x 1.5
2	20.11.002	452.711.002	112.1481.000	033016009	YELLOW M22 x 1.5
	20.11.006	452.711.012	AB32316 Z/G	-	YELLOW M16 x 1.5
3	20.11.003	452.711.003	112.1483.000	-	BLACK M22x1.5
	20.11.007	452.711.013	-	-	BLACK M22x1.5
4	20.11.014	452.711.010	-	-	BLUE M22x1.5
	20.11.013	452.711.000	-	-	BLUE M16x1.5

NYLON TUBING



> Sold in 50 metre coils only
> Colour black

WALL THICKNESS	DIAMETER	REFERENCE
1	4	WSK.105.1B
1	6	WSK.105.2B
1	8	WSK.105.3B
1.5	9	WSK.105.4B
1	10	WSK.105.5B
1.25	10	WSK.105.6B
1.5	10	WSK.105.7B
1	12	WSK.105.8B
1.25	12	WSK.105.9B
1.5	12	WSK.105.10B
2	14	WSK.105.11B
1.5	15	WSK.105.12B
1	16	WSK.105.13B
2	16	WSK.105.14B
2	18	WSK.105.15B
1.5	22	WSK.105.16B

TECHNICAL DATA

DIN 73378 - PA12 MAX WORKING PRESSURE 20B TEMPERATURE FROM - 40 C° TO +110 C°



POWER SUPPLY CABLE - PLUG & SOCKETS

CABLE 24 V



N°	TT N°	TYPE	LENGTH	ISO	POLES
1	WSK.110.4	EBS	4.5M	7638	7
1	WSK.110.5	ABS	4.5M	7638	5
2	WSK.110.6	N	4.5M	1185	7
2	WSK.110.7	S	4.5M	3731	7
1	WSK.110.8	-	4.5M	7638	15
3	WSK.110.9	-	4.5M	7638 1185 3731	15 7 7

PLUGS 24V



N°	TT N°	TYPE	ISO	POLES	REMARKS
1	WSK.110.10A	N	1185	7	ALU
2	WSK.110.10P	N	1185	7	THERMOPLASTIC
3	WSK.110.11A	N	1185	7	ALU
4	WSK.110.11P	N	1185	7	THERMOPLASTIC
5	WSK.110.12A	S	3731	7	ALU
6	WSK.110.12P	S	3731	7	THERMOPLASTIC
7	WSK.110.13A	S	3731	7	ALU
8	WSK.110.13P	S	3731	7	THERMOPLASTIC
9	WSK.110.14	EBS	7638	7	THERMOPLASTIC
10	WSK.110.15	EBS	7638	7	THERMOPLASTIC
9	WSK.110.16	ABS	7638	5	THERMOPLASTIC
10	WSK.110.17	ABS	7638	5	THERMOPLASTIC
9	WSK.110.18	-	7638	15	THERMOPLASTIC
10	WSK.110.19	-	7638	15	THERMOPLASTIC

SENSOR



N°	TT N°	DESCRIPTION
1	WSK.110	SENSOR L3.5 M
2	WSK.110.1	SENSOR L0.4 M
3	WSK.110.2	SENSOR L 1M
4	WSK.110.3	ADAPTOR DIN76585 TO M24x1
5	WSK.110.20	Cable Bayonet Din-SQUARE CONNECTOR
6	WSK.110.21	Cable M24x1-SQUARE CONNECTOR

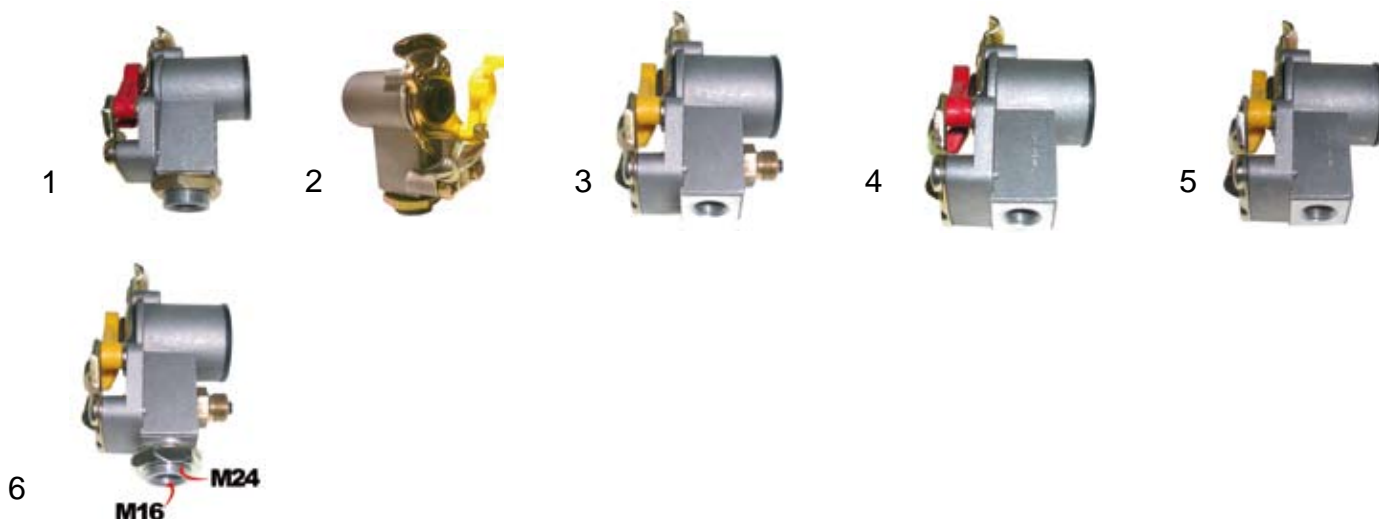


PALM COUPLINGS



N°	TT N°	WABCO	KNORR	TECHNICAL SPECIFICATIONS		REMARKS
1	T.20.10.004	452.200.011	KU.1305	M22 x 1.5	Red	Trailer
1a	T.20.10.004	452.200.012	KU.1304	M22 x 1.5	Yellow	Trailer
2	T.20.10.007	452.200.211	-	M22 x 1.5	Red automatic	Motor vehicle
2a	T.20.10.008	452.200.212	-	M22 x 1.5	Yellow automatic	Motor vehicle
3	T.20.13.001	952.200.021	KU.1310	M16 x 1.5	Red	Trailer
3a	T.20.13.002	952.200.022	KU.1311	M16 x 1.5	Yellow	Trailer
4	T.20.13.004	952.200.221	KU.4124	M16 x 1.5	Red automatic	Motor vehicle
4a	T.20.13.005	952.200.222	KU.4128	M16 x 1.5	Yellow automatic	Motor vehicle
5	T.20.13.003	952.200.210	KU.4127	M16 x 1.5	Red automatic	Motor vehicle

PALM COUPLINGS WITH LINE FILTER



N°	TT N°	WABCO	KNORR	HALDEX	TECHNICAL SPECIFICATIONS	REMARKS
1	T.20.13.008	952.201.002.0	KU.1400	334.055.401	Red M16x1.5/M24x1.5	Semi-trailer
2	T.20.13.007	952.201.001.0	KU.1410	334.054.401	Yellow M16x1.5/M24x1.5	Semi-trailer
3	T.20.13.011	952.201.007.0	KU.1412	334.054.441	Yellow M16x1.5/M24x1.5 with Test point	Semi-trailer
4	T.20.13.010	952.201.004.0	KU.1401	334.055.411	Red M16x1.5	Drawbar trailer
5	T.20.13.009	952.201.003.0	KU.1413	334.054.411	Yellow M16x1.5	Drawbar trailer
6	T.20.13.008	952.201.002.0	KU.1411	-	Yellow M16x1.5 with Test point	Drawbar trailer

VISCO FANS CLUTCH



TT N°	OEM	OEM N°	APPLICATION
22.00.000	DAF	0281182	DAF 1700/1900
22.00.001	DAF	1245719	DAF 45/150
22.00.002	DAF	-	DAF 45/150
22.00.003	DAF	1241830	DAF 45/160
22.00.004	DAF	1348775	DAF 75/75
22.00.005	DAF	1330724	DAF 85/85
22.00.006	DAF	0521650	DAF 95/400-430
22.00.007	DAF	1436125	DAF 95-XF
22.01.000	IVE	41213991	IVECO 440
22.01.001	IVE	98439933	IVECO EUROCARGO
22.01.002	IVE	98437234	IVECO EUROCARGO
22.01.003	IVE	93190026	IVECO EUROSTAR
22.01.004	IVE	500392864	IVECO EUROTRAKTOR
22.01.005	IVE	99479094	IVECO EUROSTAR CURSOR
22.02.000	MAN	51.06630.0043	MAN 150
22.02.001	MAN	51.06630.0067	MAN 180
22.02.002	MAN	51.06601.0182	MAN 321/361
22.02.003	MAN	51.06630.0060	MAN 402/403
22.02.004	MAN	81.06630.6039	MANBUS 292/362
22.03.000	DAI	366.2000.622	DAI
22.03.001	DAI	904.200.05.23	DAI
22.06.000	RVI	5010066379	RVI AE
22.06.001	RVI	5000684374	RVI MIDLINER
22.04.000	SCA	1393424	SCANIA 124
22.04.001	SCA	1305239	SCANIA 143HK-113/T-142 BUS
22.04.002	SCA	1368004	SCANIA 144
22.04.003	SCA	1321877	SCANIA 93/113
22.04.004	SCA	1423891	SCANIA 94
22.05.000	VOL	8112951	VOLVO FH-12
22.05.001	VOL	1664419	VOLVO FL-10
22.05.002	VOL	1661017	VOLVO FL6
22.05.003	VOL	8112380	VOLVO FL6
22.05.004	VOL	8112965	VOLVO FL6
22.05.005	VOL	1676290	VOLVO FL6-FL7
22.05.006	VOL	-	VOLVO FM 12

TSK.3 ...



DIAPHRAGM N°	TT KIT N°	A	B	C	KNORR	WABCO
8017209T	TSK.3.9B.50*	128	71	30	B.74478	897.120.495.4
8017112T	TSK.3.12B.45*	139	79	28	A.75056.3	-
8017212T	TSK.3.12B.50*	139	79	30	B.7447.9	897.120.505.4
8017114T	TSK.3.14B.57*	147	79	32	B.61290	897.121.610.4
8017214T	TSK.3.14B.64*	147	79	41	B.54871	897.121.615.4
8017116T	TSK.3.16B.57*	158	100	32	A.75056.4	897.120.510.4
8017216T	TSK.3.16B.64*	158	100	38	B.56649	897.120.515.4
8017316T	TSK.3.16B.76*	158	100	47	1188264	897.120.516.4
8017120T	TSK.3.20B.57*	168	106	32	A.75056.5	897.120.520.4
8017220T	TSK.3.20B.64*	168	106	38	B.58894	897.120.525.4
8017320T	TSK.3.20B.76*	168	106	47	1186260	897.120.526.4
8017241T	TSK.3.24B.64*	179	115	39	B.64322	897.120.535.4
8017424T	TSK.3.24B.76*	179	115	47	1186261	897.120.536.4
8017227T	TSK.3.27B.64*	200	120	34	1190023	897.120.547.4
8017130T	TSK.3.30B.64*	200	139	33	A.75056.7	897.120.540.4
8017430T	TSK.3.30B.76*	200	139	48	B.59171	897.120.546.4
8017136T	TSK.3.36B.76*	224	150	46	A.75056.8	897.120.550.4
8017236T	TSK.3.36B.80*	224	150	55	-	897.120.555.4

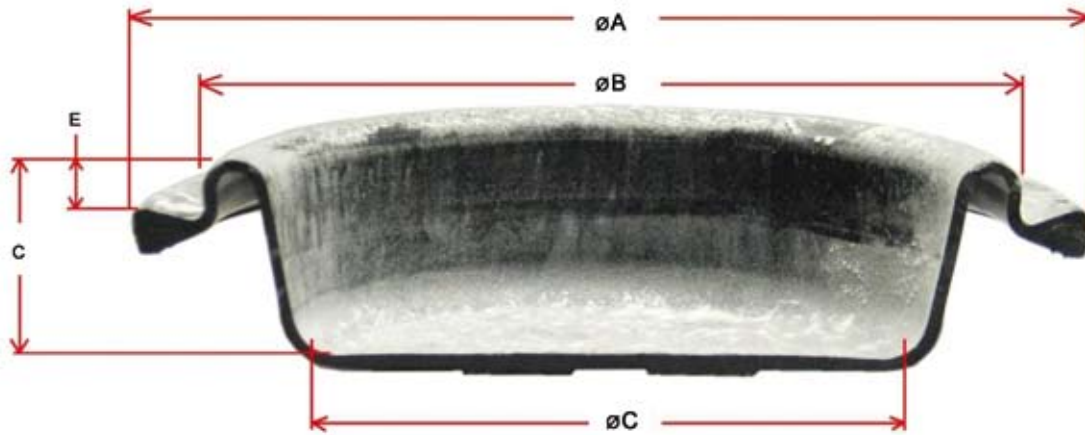


EACH DIAPHRAGM 'KIT' CONTAINS **10 DIAPHRAGMS**

Information about Trucktechnic references



TSK.5... FOR KNORR DISC BRAKES



EACH DIAPHRAGM
'KIT' CONTAINS
10 DIAPHRAGMS

KIT APPLICATIONS



BS.9304 / BS.9397

BS.7303

ORIGINAL N°	TT KIT N°	A	B	C	D	E
C.72596	TSK.5.16K.64	157	133	96	36	12.2

KIT APPLICATIONS



BS.9349 / BS.9404

ORIGINAL N°	TT KIT N°	A	B	C	D	E
C.72336	TSK.5.20K.64	168	142	104	36	9.6

KIT APPLICATIONS

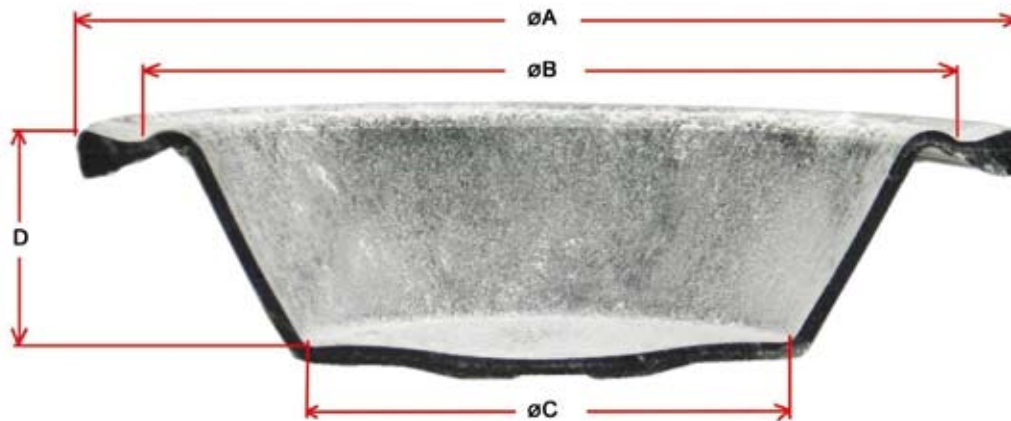


BS.9504

BS.9507 / BS.9514 / BS.9515 / BS.9516 / BS.9517

ORIGINAL N°	TT KIT N°	A	B	C	D	E
C.72337	TSK.5.24K.64	179	154	116	34	9.6

TSK.6... FOR MGM DISC BRAKES



EACH DIAPHRAGM
'KIT' CONTAINS
10 DIAPHRAGMS

KIT APPLICATIONS



MJB1724 ET xxx

ORIGINAL N°	TT KIT N°	A	B	C	D	E
8017215M	TSK.6.16M.64	158	144	85	41	12.2

KIT APPLICATIONS



MJB2124 ET xxx / MJS2024 ET xxx

ORIGINAL N°	TT KIT N°	A	B	C	D	E
8017226M	TSK.6.20M.76	168	154	108	46	9.6

KIT APPLICATIONS

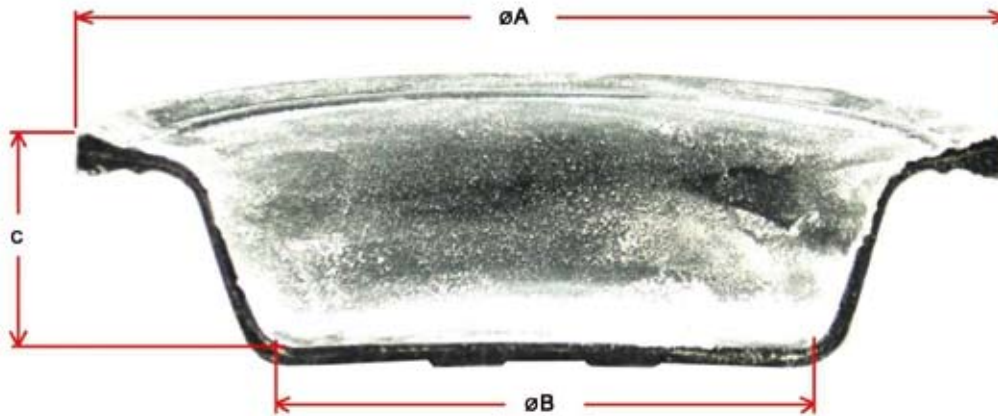


MJB2424 ET xxx MJS 2424 ET xxx

ORIGINAL N°	TT KIT N°	A	B	C	D	E
8017820M	TSK.6.22M.76	179	154	97	46	9.6



TSK.7... FOR WABCO DISC BRAKES



EACH DIAPHRAGM
'KIT' CONTAINS
10 DIAPHRAGMS

KIT APPLICATIONS



925.468.010.0 / 925.468.012.0 / 925.468.013.0 / 925.468.020.0 / 925.468.021.0 925.463.500.0 / 925.463.501.0 / 925.463.502.0

ORIGINAL N°	TT KIT N°	A	B	C
897.121.585.4	TSK.7.14W.64	158	85	41
897.121.930.4	TSK.7.18W.64	168	100	41

KIT APPLICATIONS



423.110.710.0 / 423.510.010.0

ORIGINAL N°	TT KIT N°	A	B	C
897.121.922.4	TSK.7.22W.76	179	113	46

KIT APPLICATIONS

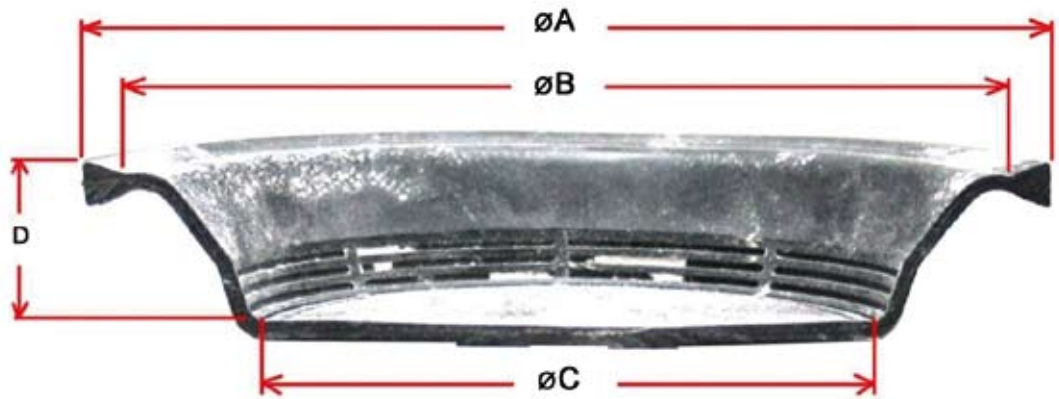


925.461.200.0 / 925.461.201.0

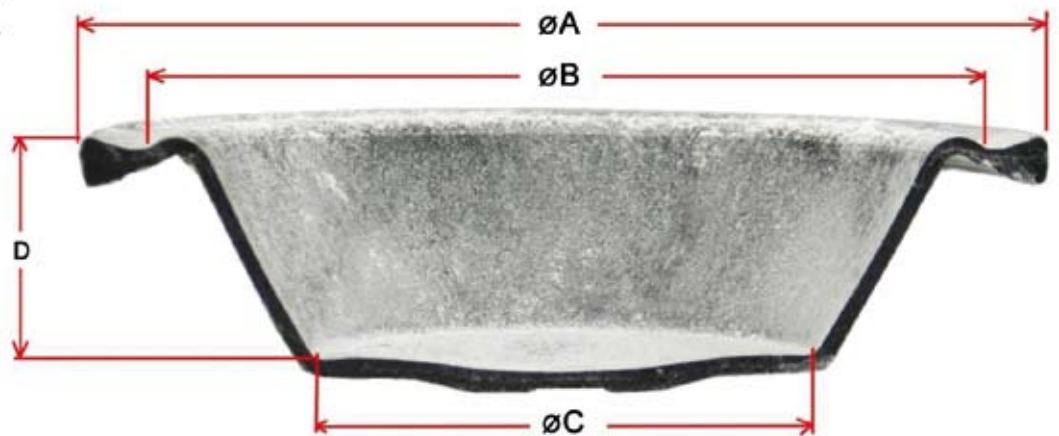
ORIGINAL N°	TT KIT N°	A	B	C
897.121.846.4	TSK.7.24W.76	191	130	51

TSK.8... FOR BPW DISC BRAKES

TYPE I



TYPE II



EACH DIAPHRAGM
'KIT' CONTAINS
10 DIAPHRAGMS



TT N°	TYPE	A	B	C	D
TSK.8.14A.57	II	158	142	89	34
TSK.8.14A.64	II	158	142	86	44
TSK.8.16A.57	II	158	144	98	36
TSK.8.16A.64	I	158	144	95	43
TSK.8.18A.64	II	168	150	90	43
TSK.8.20A.57	I	168	150	105	32
TSK.8.20A.64	I	168	150	105	44
TSK.8.24A.57	I	179	164	117	31
TSK.8.24A.64	I	179	164	117	44
TSK.8.27A.57	II	200	181	115	32
TSK.8.27A.64	II	200	181	115	43



PORT PLUGS



1



2



3



N°	ORIGINAL N°	FOR PORT SIZE	REMARKS
1	897.753.940.4	TYRE INFLATOR COVER	-
2	898.011.380.T	22	-
2	898.011.396.T	26	-
2	898.011.400.T	16	-
2	898.011.410.T	14	-
2	898.011.420.T	12	-
3	898.012.000.4	FOR HYDRAULIC BLEED NIPPLES	-

IMPORTANT

Rubber components have to be compatible not only with our lubricants, but also those likely to be used around the world.

Through experimentation with Wabco, Knorr and competitors lubricants we have acquired a wide knowledge of synthetic and natural rubber components which, shared with our suppliers, has resulted in reliable components, compatible with most lubricants.

We therefore recommend that you profit from our experience by acquiring in BULK what we deem to be the best grease for the job.

The quantity of grease provided in our, or competitors' repair kits may not always be perfectly adapted to the amount actually required .

LUBRICANTS



N°	TT N°	QUANTITY	TYPE	APPLICATIONS
1	TSK.10	1 KG	BLUE	Air brake UNIVERSAL*
2	TSK.11	1 KG	RED	For sliding pins in air disc brake calipers
3	TSK.12	1 KG	BLACK	For automatic slack adjusters
4	TSK.13	1 KG	ORANGE	For Rubber parts in disc brake calipers (High T°)

* Universal grease obviates the need to use different kinds of grease for air and hydraulic applications (for example clutch servos) Hydraulic parts especially react better to a light smear of universal grease than to lubrication by DOT 3, 4 or 5 brake fluid - which can lead to swelling.

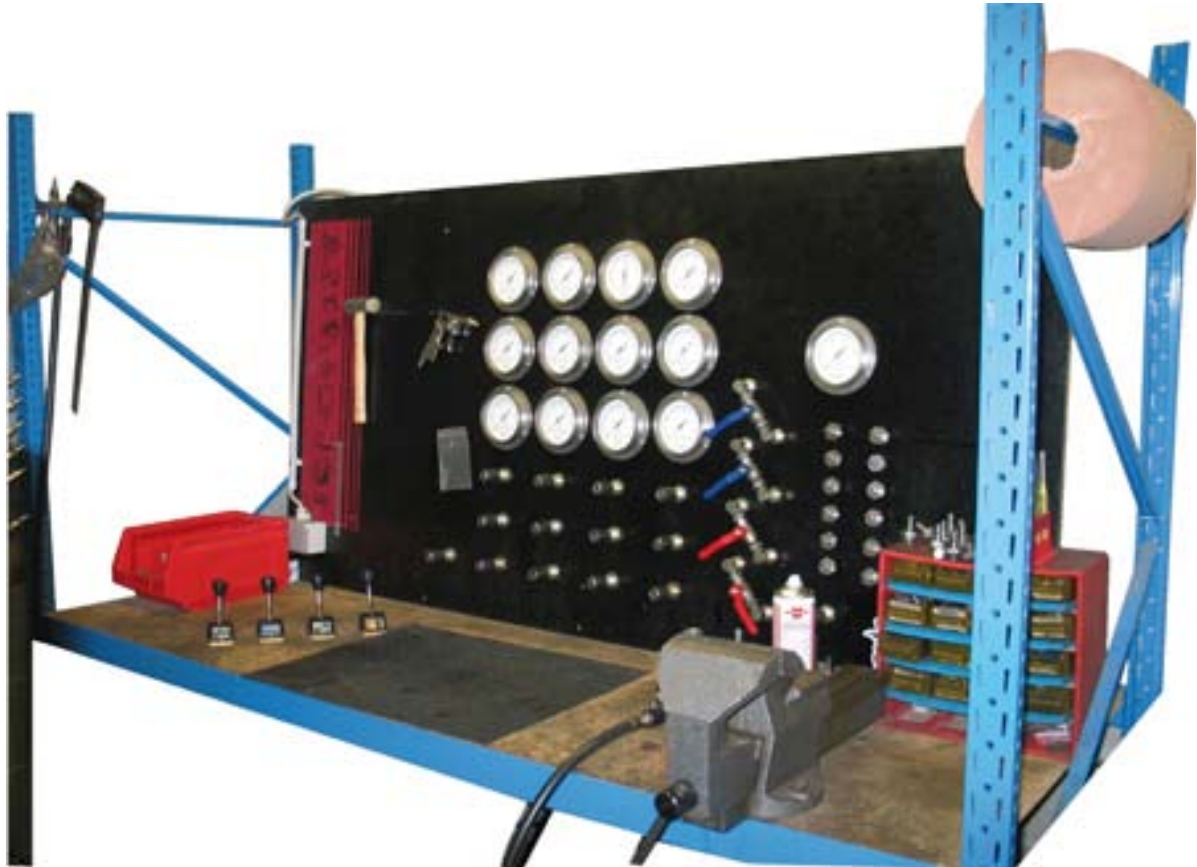
TYPICAL SACHETS DELIVERED WITH TT KITS



N°	TT N°	QUANTITY	TYPE	APPLICATIONS
1	TSA.154.11	10 Gr (sachet)	BLUE - UNIVERSAL	This Grease is the TT standard. See TSK.10 above.
2	TSA.3280.1	10 Gr	HIGH TEMPERATURE	For sliding pins in Calipers
3	TSA.3281	10 Gr	HIGH TEMPERATURE	For rubber parts in Calipers
4	SF.1799.1	8 GMS (sachet)	CLEAR	Suitable for all valves
5	SF.1799.3	15 GMS	CLEAR	X2 supplied in spring brake kits
6	SF.1803.1	8 GMS (sachet)	BLACK	Suitable for gearbox valve Actuating pins
7	TSA.181	8 GMS (sachet)	SILICONE	UNIVERSAL Especially suited to high temperature and hydraulics



TEST BENCH FOR MOST AIR BRAKE VALVES WITH HIGH PRESSURE CIRCUIT

**TSK.BANC3 SUPPLIED COMPLETE IN ONE EUROPALLET**

The panels you can see are pre-mounted by us and bench installation is made easy by an installation booklet in either English, Spanish, or French.

All necessary accessories are supplied, including air reservoirs, colour-coded hoses cut to the exact lengths, pressure control valves, test hoses c/w quick couplings.

Simply connect to a good, clean air supply.

TSK.BANC.4 SERIES



REFERENCE	DESCRIPTION
TSK.BANC.4	COMPRESSORS TEST BENCH 380V
TSK.BANC.4A	COMPRESSORS TEST BENCH 220V

TSK.BANC.4 SERIES ACCESSORIES



COUPLINGS



FLANGE ADAPTORS



FLANGE ADAPTOR	COMPRESSOR	TYPE	COUPLING
TSA.2634	286104	TUF501	TSA.2631
TSA.2634	280737	TUF500	TSA.2631
TSA.2634	LP.4812	KNORR	TSA.2640
TSA.2634	LP.4813	KNORR	TSA.2640
TSA.2634	LP.4814	KNORR	TSA.2640
TSA.2634	LP.4815	KNORR	TSA.2640
TSA.2634	911.505.150	WABCO	TSA.2640
TSA.2634	LP.4934	KNORR	TSA.2640
TSA.2634	LP.4825	KNORR	TSA.2640
TSA.2635	LP.4930	KNORR	TSA.2640
TSA.2635	LP.4974	KNORR	TSA.2640
TSA.2636	LP.3832	RVI	TSA.2640
TSA.2636	LP.4819	RVI	TSA.2640
TSA.2636	LP4827	RVI	TSA.2640
TSA.2636	LP.4845	RVI	TSA.2640
TSA.2636	LP.4943	RVI	TSA.2640
TSA.2636	LP.4944	RVI	TSA.2640
TSA.2636	AC.75	MARELLI	TSA.2640
TSA.2636	AC.83	MARELLI	TSA.2640
TSA.2636	101.3393	DHAL	TSA.2640
TSA.2637	911.504.052	WABCO -DAF	TSA.2639
TSA.2637	911.504.056	WABCO -DAF	TSA.2639
TSA.2637	911.504.060	WABCO -DAF	TSA.2641
TSA.2637	911.504.501	WABCO -DAF	TSA.2641
TSA.2642	911.501.015	WABCO -DAF	TSA.2638
TSA.2642	911.501.016	WABCO -DAF	TSA.2638
TSA.2642	911.501.060	WABCO -DAF	TSA.2638
TSA.2644	LP.4967	KNORR	TSA.2640
TSA.2645	LP4964	KNORR	TSA.2640
TSA.2645	LP4965	KNORR	TSA.2640

* Most popular compressors covered
Adaptors and couplings for other types on request



DIGITAL POWER STEERING PUMP TEST BENCH

BANC.6



TEST BENCH

BANC.7

**BANC.7 SUPPLIED COMPLETE IN ONE EUROPALLET**

The panels you can see are pre-mounted by us and bench installation is made easy by an installation booklet in either English, Spanish, or French.

All necessary accessories are supplied , including air reservoirs, colour-coded hoses cut to the exact lengths, pressure control valves, test hoses c/w quick couplings.

PROMOTIONAL MATERIAL

Dear customers,

Promotional material is blocked by many customs authorities around the world, when sent without value, losing time & money for everyone.

For this reason, promotional material will be invoiced at the prices indicated.



N°	TT N°	Description	Remarks	Price
1	Casquette.rouge	Red Cap	Trucktechnic logo printed on (Grey colour)	0.40€
2	T.shirt.white*	White T-shirt.*	195 Gr - 65 % COTTON / 35%polyester - Trucktechnic logo printed on (red colour)	1.20€
3	TSA.719.D	BIC Lighter (Silver)	Trucktechnic logo printed on (Black colour)	0.15€
4	TSA.3002	MEMO 10x15 cm	Memo pad	0.15€
5	TSA.668.2	TT Sticker Ø 12 cm	To stick from Inside (White & red colours)	0.05€
6	Pendulette.pot	Quartz clock	Small clock with Trucktechnic logo (in black)	1.30€
7	Calculette.latte	Ruler with LCD calculator	-	1.60€
8	TSA.718.3	Stylo Lasergrip	White	0.50€
9	TSA.995	NEON SIGN	- Logo printed on both sides - 220 V - 2 Neon tubes - Hanging system	30.00€
10	TSA.718.3	Pen	REGAL Pen White	1.50€
11	mouse.pad	Mouse pad	-	3.00€
12	TSA.3000	Double TT Poster	Double TT poster plastified 40/30 cm	3.00€
13	TSA.3000.A	Double TT Poster	Double TT poster plastified 70/100 cm	3.00€
14	CD.ROM.WEB	Trucktechnic CD-ROM	This CD-rom contains : TT corporate infos / repair kits & all updated TT catalogues in acrobat (.pdf) format.	0.50 €

* For different sizes consult TT

The price of these catalogues are subject to changes without notifications



TRUCKTECHNIC'S CATALOGUE RANGE



N°	TTN°	Description	Price [€]
1	ttc.qr.005	Quick reference general catalogue for TT UNITS	15,-
2	ttc.calipers.005	General catalogue for DISC BRAKE CALIPERS	12,-
3	ttc.rkits.001	GENERAL catalogue for TRUCKTECHNIC REPAIR KITS	15,-
4	ttc.compr.003	GENERAL catalogue for AIR COMPRESSORS	12,-
5	ttc.oilseals.001	GENERAL catalogue for OIL SEALS	5,25,-
6	ttc.sb.001	GENERAL catalogue for SPRING BRAKES	12,-
7	ttc.cservo.001	GENERAL catalogue for CLUTCH SERVOS	12,-
8	ttc.psp.001	GENERAL catalogue for POWER STEERING PUMPS	12,-
9	ttc.aspring.001	GENERAL catalogue for AIR SPRINGS	7,-
10	ttc.fpdaf.001	Fast part catalogue for DAF	4.20,-
11	ttc.fpbenz.001	Fast parts catalogue for DAIMLER BENZ	4.20,-
12	ttc.fpiveco.001	Fast parts catalogue for IVECO	4.20,-
13	ttc.fpman.001	Fast parts catalogue for MAN	4.20,-
14	ttc.fprvi.001	Fast parts catalogue for RENAULT VEHICLES	4.20,-
15	ttc.fpscania.001	Fast parts catalogue for SCANIA	4.20,-
16	ttc.fptrail.001	Fast parts catalogue for TRAILERS	4.20,-
17	ttc.fpvolve.001	Fast parts catalogue for VOLVO	4.20,-
18	ttc.fpcmpr.001	Fast parts catalogue for AIR COMPRESSORS	5.25,-

The price of these catalogues are subject to changes without notifications

ACCESSORIES

TT PART N°	DESCRIPTION	APPLICATION
FSK.1	FILTER KIT M.22 (x100 PER KIT)	-
FSK.2	FILTER KIT M.16 (x100 PER KIT)	-
FSK.3	FILTER KIT M.12 (x100 PER KIT)	-
FSK.4	FILTER KIT M.14 (x100 PER KIT)	-
TSK.10	AIR BRAKE UNIV.GREASE 1kg	UNIVERSAL
TSK.11	CALIPER GREASE 1kg (STEEL PARTS)	Sliding pins
TSK.12	GREASE MARSON LM-32 1kg	Automatic Slack Adjuster
TSK.13	CALIPER GREASE 1kg (RUBBER PARTS)	Rubber High TEMPERATURE
WSK.30.1	ATTACHMENT KIT GASKETS + SCREWS	351.008 352.011 471.005 475.604 AS.3.... BR.13...



SILENCERS



	TT KIT	OEM Number	OEM Number	MAKER	DESCRIPTION	Max pressure
1	TSK.17	432.407.012	432 410 064 0	WAB	Silencer / CLIP - ON	Max 18.5 bar
		432 410 022 0	432 431 178 0	WAB		
2	TSK.18	432 410 008 0	432 405 151 0	WAB	Silencer / SCREW - ON	Max 13 bar
		432 410 026 0	432 405 178 0	WAB		
		432 411 100 0	432 405 181 0	WAB		
		432 411 101 0	432 405 187 0	WAB		
		432 411 161 0	432 405 188 0	WAB		
		432 411 162 0	432 405 191 0	WAB		
		432 405 101 0	432 405 198 0	WAB		
		432 405 107 0	432 405 199 0	WAB		
		432 405 108 0	432 405 458 0	WAB		
		432 405 109 0	432 405 498 0	WAB		
		432 405 117 0	432 406 100 0	WAB		
		432 405 118 0	432 406 177 0	WAB		
		432 405 119 0		WAB		
3	TSK.19	432 410 004 0	432 420 005 0	WAB	Silencer / CLIP - ON	Max 11 bar
		432 410 039 0	432 420 008 0	WAB		
		432 410 049 0	432 420 110 0	WAB		
		432 410 050 0		WAB		
4	WSK.57.13	973 011 004 0	973 011 205 0	WAB	Silencer	Max 11 bar
		973 011 008 0	973 011 206 0	WAB		
		973 011 009 0	475 711 118	WAB		
		480 202 004 0	475 711 126	WAB		
		973 011 004 0	475 711 150	WAB		
		973 011 109 0		WAB		

BENDIX / BOSCH / HALDEX / KNORR



	NUMBER	OEM N°	OEM	REPAIR KIT N°
1	267121	368241	DAF	BSK.64+62
1	269880	5000929897	RVI	BSK.64+62
2	267122	1605000	VOLVO	BSK.64+62
2	269827	ACU7171	LEYLAND	BSK.64+62
3	286968.TT	571170	SCANIA	BSK.64
4	1185252	1625835	VOLVO	BSK.64.9 + 9A + 9B
4	1186591	394323	SCANIA	BSK.64.9 + 9A + 9B
4	1186765	-	-	BSK.64.9 + 9A + 9B
4	1188931	-	-	BSK.64.9 + 9A + 9B
4	KZ.1310.1	ACU8494	LEYLAND	BSK.64.9 + 9A + 9B
5	0.484.451.005	368885	SCANIA	BOSK.14
5	0.484.451.006	5000538880	RVI	BOSK.14
6	0.484.451.007	42053081	IVECO	BOSK.14
7	0.484.451.008	641072	DAF	BOSK.14
7	0.484.451.009	5000889059	RVI	BOSK.14
8	0.484.460.006	-	-	BOSK.63
8	0.484.460.007	000.431.36.15	D.BENZ	BOSK.63
8	0.484.460.008	-	-	BOSK.63
8	0.484.460.103	-	-	BOSK.63
8	0.484.460.107	-	-	BOSK.63
8	0.484.460.110	-	-	BOSK.63
8	0.484.460.116	-	-	BOSK.63



BENDIX / BOSCH / HALDEX / KNORR



9



10



10B



11



12



12a

	NUMBER	OEM N°	OEM	REPAIR KIT N°
9	0.484.460.127	1369561	DAF	BOSK.63
9	0.484.460.130	-	-	BOSK.63
9	0.484.460.168	-	-	BOSK.63
9	0.484.460.170	1194407	DAF	BOSK.63
9	0.484.460.177	-	-	BOSK.63
10	77430	3097369	VOLVO	HSK.64.5
10B	77317	5010251479	RVI	HSK.64.5+8
10B	78114	1387552	SCANIA	HSK.64.5+8
10B	78115	1387553	SCANIA	HSK.64.5+8
10B	78127	62.00909.000	FODEN	HSK.64.5+8
10B	78202	470200	SCANIA	HSK.64.5+8
10B	78211	5010251479	RVI	HSK.64.5+8
10B	78214	5010260451	RVI	HSK.64.5+8
10B	78650	3962680	VOLVO	HSK.64.5+8
10B	78795	3962679	VOLVO	HSK.64.5+8
10B	78985	1387553	SCANIA	HSK.64.5+8
10B	78988	3098327	VOLVO	HSK.64.5+8
10B	78990	3197854	VOLVO	HSK.64.5+8
10B	86968	3194899	VOLVO	HSK.64.5+8
10B	87025	3197854	VOLVO	HSK.64.5+8
10B	87026	3197853	VOLVO	HSK.64.5+8
10B	87189	-	DENNIS	HSK.64.5+8
10B	89141	3093580	VOLVO	HSK.64.5+8
10B	89142	20392573	VOLVO	HSK.64.5+8
10B	89208	9998807	VOLVO	HSK.64.5+8
11	71200	5010251314	RVI	HSK.64
11	71206	448480	SCANIA	HSK.64
11	71209	001.431.10.15	DAIMLER	HSK.64
12	EE.4106	5000791040	RVI	KSK.14.3
12A	LA.4129	5000448779	RVI	KSK.63



BENDIX / BOSCH / HALDEX / KNORR



13



14

	NUMBER	OEM N°	OEM	REPAIR KIT N°
13	LA.6	-	WITHOUT CARTRIDGE	KSK.63
13	LA.6205	42079486	IVECO	KSK.63
13	LA.6206	81.52102.6050	MAN	KSK.63
13	LA.6208	81.52102.6022	MAN	KSK.63
13	LA.6210	8285162000	SETRA	KSK.63
13	LA.6217	000.431.75.15	D.BENZ	KSK.63
13	LA.6221	81.52102.6056	MAN	KSK.63
13	LA.6222	81.52102.6037	MAN	KSK.63
13	LA.6226	81.52102.6047	MAN	KSK.63
13	LA.6228	81.52102.6072	MAN	KSK.63
13	LA.6277	-	-	KSK.63
13	LA.6700	000.431.65.15	D.BENZ	KSK.63
13	LA.6710	20409515	VOLVO	KSK.63
13	LA.6711	1629927	VOLVO	KSK.63
13	LA.6730	000.431.83.15	D.BENZ	KSK.63
13	LA.6734	001.431.22.15	D.BENZ	KSK.63
14	LA.8001	-	-	KSK.63
14	LA.8002	5010260351	RVI	KSK.63
14	LA.8003	5010260354	RVI	KSK.63
14	LA.8006	5010260354	-	KSK.63
14	LA.8007	-	-	KSK.63
14	LA.8008	-	-	KSK.63
14	LA.8015	5010260361	RVI	KSK.63
14	LA.8016	5010422397	RVI	KSK.63
14	LA.8030	-	-	KSK.63
14	LA.8040	5010260641	RVI	KSK.63
14	LA.8041	5001851122	RVI	KSK.63
14	LA.8047	3312180	IVECO	KSK.63
14	LA.8048	406625-2	ERF	KSK.63
14	LA.8064	-	-	KSK.63

BENDIX / BOSCH / HALDEX / KNORR



15



16

	NUMBER	OEM N°	OEM	REPAIR KIT N°
15	LA.8105	-	-	KSK.63.3
15	LA.8125	-	-	KSK.63.3
15	LA.8205	-	-	KSK.63 + KSK.63.2U
15	LA.8206	1285548	DAF	KSK.63 + KSK.63.2U
15	LA.8209	81.52102.6098	MAN	KSK.63 + KSK.63.2U
15	LA.8210	81.52102.6104	MAN	KSK.63 + KSK.63.2U
15	LA.8211	81.52102.6101	MAN	KSK.63 + KSK.63.2U
15	LA.8212	81.52102.6105	MAN	KSK.63 + KSK.63.2U
15	LA.8219	41017239	IVECO	KSK.63 + KSK.63.2U
15	LA.8220	8160473	IVECO	KSK.63 + KSK.63.2U
15	LA.8221	8160466	IVECO	KSK.63 + KSK.63.2U
15	LA.8222	41017242	IVECO	KSK.63 + KSK.63.2U
15	LA.8223	658330	DENNIS	KSK.63 + KSK.63.2U
15	LA.8225	L2250290	OPTARE	KSK.63 + KSK.63.2U
15	LA.8227		OPTARE	KSK.63 + KSK.63.2U
15	LA.8228	-	-	KSK.63 + KSK.63.2U
15	LA.8229	16H0087	OPTARE	KSK.63 + KSK.63.2U
15	LA.8230	-	-	KSK.63 + KSK.63.2U
15	LA.8233	-	-	KSK.63 + KSK.63.2U
15	LA.8234	000.431.88.15	D.BENZ	KSK.63 + KSK.63.2U
15	LA.8236	-	-	KSK.63 + KSK.63.2U
15	LA.8245	UN21800592	OPTARE	KSK.63 + KSK.63.2U
15	LA.8253	-	-	KSK.63 + KSK.63.2U
15	LA.8271	-	-	KSK.63 + KSK.63.2U
15	LA.8272	41031473	IVECO	KSK.63 + KSK.63.2U
15	LA.8284	1351443	DAF	KSK.63 + KSK.63.2U
15	LA.8286	3172999	VOLVO	KSK.63 + KSK.63.2U
16	LA.9000	001.431.92.15	D.BENZ	KSK.63.2
16	LA.9001	002.431.13.15	D.BENZ	KSK.63.2
16	LA.9004	-	-	KSK.63.2
16	LA.9009	-	-	KSK.63.2
16	LA.9010	-	-	KSK.63.2

BLACK BOX FOR HALDEX AIR DRYERS

COMPLETE UNIT

SPARE PARTS



AIR DRYER	OEM N°	OEM	BLACK BOX	BAR	HEATER	PORT	M12B.B	M12 CART	SAFETY	EXHAUST
77316	-	-	71847	8.1	NO	M22-12	NO	YES	YES	SILENC.
78127	-	-	78712	8.9	NO	1/2—1/4	1/4	1/4	YES	SILENC.
78209	5010251480	RVI	78169	10	NO	M22-12	NO	YES	YES	SILENC.
78211	5010251479	RVI	78171	8.7	NO	M22-12	NO	-	YES	SILENC.
78984	1387552	SCA	87346	9.3	YES	M22-12		-	NO	TUBE 20
78985	1387553	SCA	87347	12.2	YES	M22-12	YES	NO	NO	TUBE 20
78986	4700200	SCA	87348	10.3	NO	M22-12		-	NO	TUBE 20
78988	3197853 3962680 20392571 20399131	VOL	78717	8.5	NO	M22-12	YES	-	NO	SILENC.
78990	3197854 20392753 20393894 3962679	VOL	78703	12	NO	M22-12	YES	YES	NO	SILENC.
87189	-	-	78949	10	NO	M22-12	YES	NO	YES	SILENC.
87282	V3194898	VOL	87332	10.8	NO	M22-12	NO	NO	NO	SILENC.
87297	V9517283 V9957313	VOL	78104	11.5	NO	M22-12	YES	-	NO	SILENC.

AIR DRYER REPLACEMENT LIST

OLD	NEW	BLACK BOX
77305	78209	78169
77317	78211	78171
77470	87297	78104
78114	78984	87346
78115	78985	87347
78202	78986	87348
78650	78988	78717
78795	78990	78703
83360	78984	78104
86968	87282	78703
87025	78990	78703
87026	78988	78717
89141	78990	78703
89142	78988	78703
89158	78990	78104

BLACK BOX REPLACEMENT

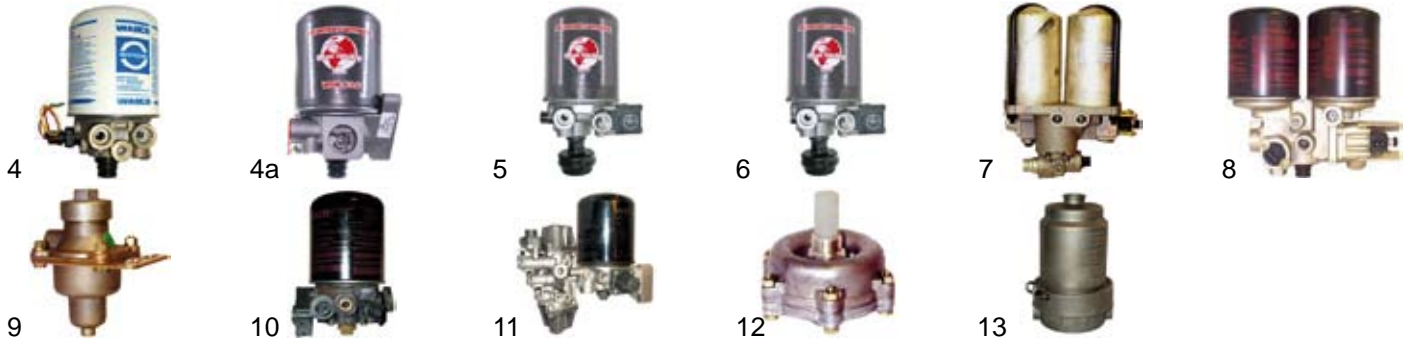
OBSOLETE	REPLACEMENT
83412	78717
83415	78104
83416	78703
86758	78703
86908	87348
86970	78717
86972	78949
87010	78703
87046	87347
87340	87332
89156	78703
90269	78717
90549	78703

WABCO



	NUMBER	OEM	MAKER	REPAIR KIT
1	432.406.171	000.431.46.15	DAIM	WSK.63 + .10
2	432.410.000	794782	PEGASO	WSK.63.5 + .24 + .4
2	432.410.005	526031205010	STEYER	WSK.63.5 + .24 + .4
2	432.410.010	1369763 - 1441751	SCANIA	WSK.63.5 + .24 + .4
2	432.410.011	1313868	SCANIA	WSK.63.5 + .24 + .4
2	432.410.020	8190948	IVECO	WSK.63.5 + .24 + .4
2	432.410.021	42079486	IVECO	WSK.63.5 + .24 + .4
2	432.410.023	41000232	IVECO	WSK.63.5 + .24 + .4
2	432.410.025	98418715	IVECO	WSK.63.5 + .24 + .4
2	432.410.026	110275120	NEOPLAN	WSK.63.5 + .24 + .4
2	432.410.027	11017493	NEOPLAN	WSK.63.5 + .24 + .4
2	432.410.031	42086180	IVECO	WSK.63.5 + .24 + .4
2	432.410.033	41000233	IVECO	WSK.63.5 + .24 + .4
2	432.410.034	41000229	IVECO	WSK.63.5 + .24 + .4
2	432.410.041	000.431.88.15	DAIM	WSK.63.5 + .24 + .4
2	432.410.042	000 431 94 15	DAIM	WSK.63.5 + .24 + .4
2	432.410.066	001 431 59 15	DAIM	WSK.63.5 + .24 + .4
2	432.410.071	2039337 - 3951837	VOLVO	WSK.63.5 + .24 + .4
2	432.410.080	-	-	WSK.63.5 + .24 + .4
2	432.410.081	1441751	SCANIA	WSK.63.5 + .24 + .4
2	432.410.083	-	VOLVO	WSK.63.5 + .24 + .4
2	432.410.085	20546790	VOLVO	WSK.63.5 + .24 + .4
2	432.410.101	81 52102 6019	MAN	WSK.63.5 + .24 + .4
2	432.410.102	110273400	NEOPLAN	WSK.63.5 + .24 + .4
2	432.410.104	8285537000	EVO	WSK.63.5 + .24 + .4
2	432.410.110	81 52102 6046	MAN	WSK.63.5 + .24 + .4
2	432.410.111	81 52102 6020	MAN	WSK.63.5 + .24 + .4
2	432.410.112	81 52102 6102	MAN	WSK.63.5 + .24 + .4
2	432.410.113	81 52102 6097	MAN	WSK.63.5 + .24 + .4
2	432.410.117	81.52102.6098	MAN	WSK.63.5 + .24 + .4
2	432.410.201	81 52102 6019	MAN	WSK.63.5 + .24 + .4
2	432.410.202	001 431 23 15	DAIM	WSK.63.5 + .24 + .4
2a	432.410.S	-	WITHOUT CARTRIDGE	WSK.63.4 + .5 + .4
3	432.415.000	-	-	WSK.63.20
3	432.415.003	5010136103	RVI	WSK.63.20
3	432.415.005	-	-	WSK.63.20
3	432.415.013	-	-	WSK.63.20
3	432.415.014	113621	ERF	WSK.63.20
3	432.415.015	-	-	WSK.63.20
3	432.415.019	-	-	WSK.63.20
3	432.415.024	5010260523	RVI	WSK.63.20
3	432.415.029	127670	ERF	WSK.63.20
3	432.415.030	128792	ERF	WSK.63.20

WABCO

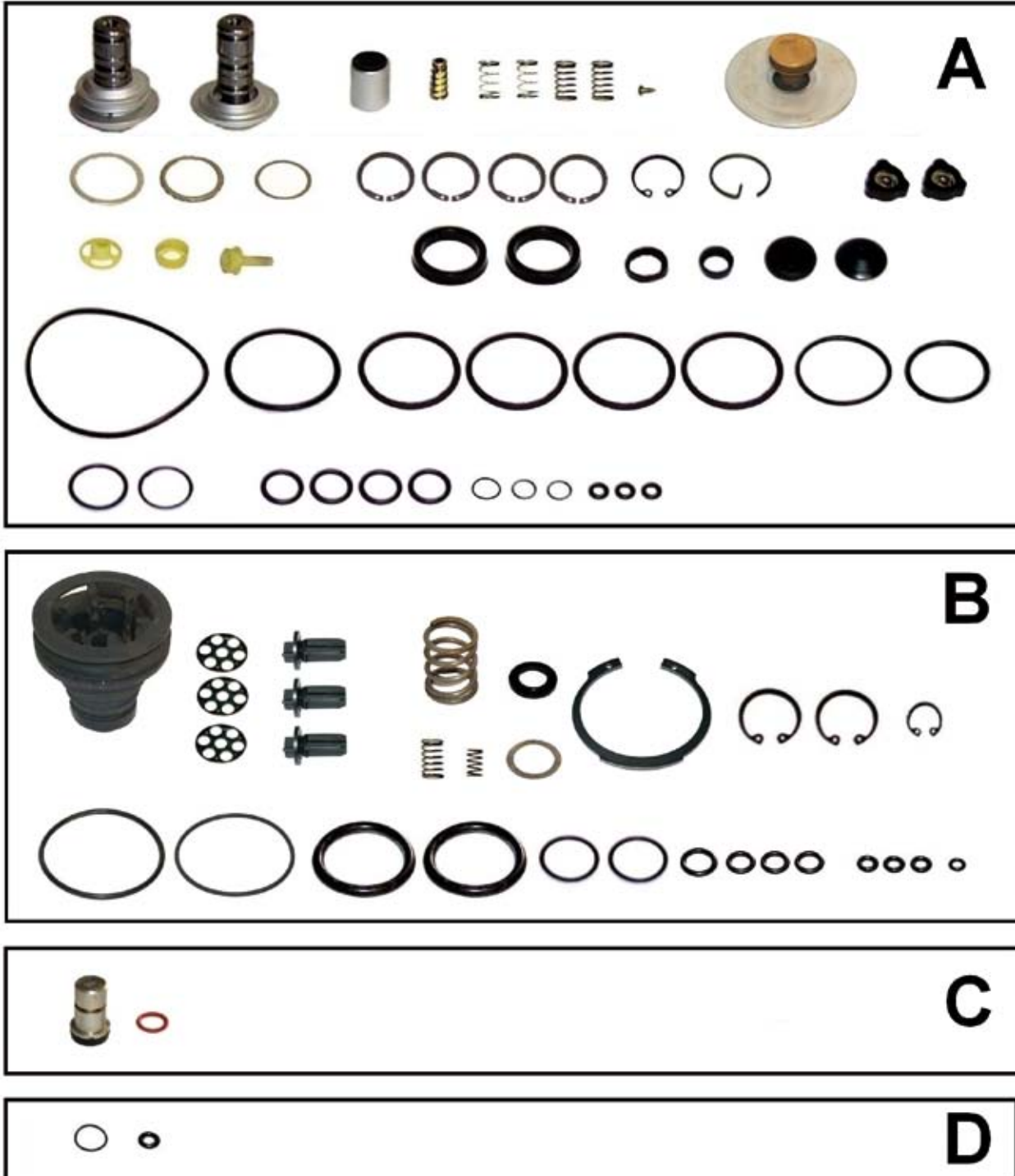


NUMBER	OEM	MAKER	REPAIR KIT	
4	432.420.000	000.431.36.15	DAIM	WSK.63.5
4	432.420.002	000.431.36.35	DAIM	WSK.63.5
4	432.420.008	1517974	DAF	WSK.63.5
4a	432.420.S	-	WITHOUT CARTRIDGE	WSK.63.5
4	432.421.000	000 431 72 15	DAIM	WSK.63.5
4	432.421.002	000.431.83.15	DAIM	WSK.63.5
4	432.421.003	390854	SCANIA	WSK.63.5
4	432.421.008	001.431.22.15	DAIM	WSK.63.5
5	432.425.001 (with heater)	20466522	VOLVO	WSK.63.24/.31/.30
6	432.425.004 (without heater)	20700794	VOLVO	WSK.63.24/.31/.30
7	432.430.193	1080164	VOLVO	WSK.63.10
8	432.431.008	1517979	DAF	WSK.63.9C
8	432.431.010	1517980	DAF	WSK.63.9C
8	432.431.109	000.431.92.15	DAIM	WSK.63.9C
8	432.432.018	81.52102.6167	MAN	WSK.63.9C
8	432.431.170	000.431.86.15	DAIM	WSK.63.9C
8	432.431.173	8285358000	EVO	WSK.63.9C
8	432.431.178	5010045431	RVI	WSK.63.9C
8	432.431.179	000.431.91.15	RVI	WSK.63.9C
8	432.431.191	8112357 - 1082030	VOLVO	WSK.63.9C
8	432.431.199	88 52102 6008	MAN	WSK.63.9C
8	432.431.274	3035101	VOLVO	WSK.63.9C
8	432.432.001	8285436000	EVO	WSK.63.9C
8	432.432.017	000.430.27.15	DAIM	WSK.63.9C
8	432.432.198	-	-	WSK.63.9C
8	432.432.199	84 52102 6017	MAN	WSK.63.9C
9	434.300.000	5000590307	RVI	WSK.14.3
10	932.400.001 *	000.430.12.15	DAIM	WSK.63.40
10	932.400.002 *	000.430.13.15	DAIM	WSK.63.40
10	932.400.003 *	000.430.15.15	DAIM	WSK.63.40
10	932.400.005 *	000.430.29.15	DAIM	WSK.63.40
10	932.400.006 *	000.430.30.15	DAIM	WSK.63.40
11	932.500.003 *	696.420.75.71	DAIM	WSK.63.40 + WSK.80
11	932.500.006 *	001.431.81.15	DAIM	WSK.63.40 + WSK.80
11	932.500.007 *	001.431.82.15	DAIM	WSK.63.40 + WSK.80
11	932.500.013 *	002.431.06.15	DAIM	WSK.63.40 + WSK.80
11	932.500.014 *	002 431 07 15	DAIM	WSK.63.40 + WSK.80
12	934.301.000	1577953	VOLVO	-
13	432.511.000	000.429.26.95	DAI	WSK.14.6





REPAIR KIT FOR TWIN DRYERS

WSK.63.9.C



WSK.63.9C COMPLETE 432.430 / 431 / 432

 We have phased out repair kit WSK.63.9 in favour of WSK.63.9C
Check valve parts added 899.320.460.A (1) & 899.506.650.4 (2)
 These parts should be used with o'rings 7.3 x 2.4 to replace used valves.

 **Plastic exhausts** 432.431.551.2 (1) are often damaged or lost, when silencers are pulled off, or when customers try to do in situ repairs. We include this, plus its holding circlip, and the main valve assy 432.430.629.2 (2) which can be used in conjunction with aluminium exhausts (older types) so long as the aluminium disc below old valve assemblies is not reused.

REPAIR KIT FOR TWIN DRYERS

WSK.63.9.C - applications

WABCO N°	OEM	OEM N°
432.430.170.0	VOLVO	1610154
432.430.172.0	VOLVO	-
432.430.173.0	VOLVO	1622637 / 5003365
432.430.174.0	VOLVO	3031949 / 8112267
432.430.193.0	VOLVO	1080164
432.431.008.0	VOLVO DAF	8112337 1517979
432.431.009.0	MAN	81.52102.6020
432.431.010.0	DAF VOLVO	1517980 8112336
432.431.018.0	MAN	81.52102.6163
432.431.109.0	DB TEREX DEMAS	000.431.92.15 000 362 12
432.431.170.0	DB	000.431.86.15
432.431.172.0	DAF IVECO	1518693 98401045
432.431.173.0	DAF EVOBUS	1505980 828535800
432.431.178.0	DAF RVI	1518694 5010045531
432.431.179.0	DB DAF LIEBHERR	000.431.91.15 1518695 502657008
432.431.191.0	VOLVO	1082030
432.431.199.0	DAF EVO MAN NEOPLAN	1518696 8285307000 88.52102.6008 11018677
432.431.274.0	VOLVO	3035101
432.432.000.0	DAF MAN	1505981 81.52.102.6088/ 6110/ 6111/ 9088
432.432.001.0	DAF EVOBUS TEREX DEMAS	1505982 8285436000 654 455 40
432.432.002.0	DAF MAN NEOPLAN	1518698 81.52102.6095 / 9095 11062846
432.432.005.0	DAF MAN	1505983 81.52102.6112
432.432.006.0	DB DAF	001.431.87.15 1518699



REPAIR KIT FOR TWIN DRYERS

WSK.63.9.C - applications

WABCO N°	OEM	OEM N°
432.432.007.0	DAF IVECO NEOPLAN	1518700 98490702 11018665
432.432.011.0	DB	001.431.86.15
432.432.012.0	MAN	82.52.102.6033
432.432.016.0	MAN	82.52.102.6162
432.432.017.0	DB DAF	000.430.27.15 1518701
432.432.018.0	MAN	81.52102.6167
432.432.020.0	MAN	81.52102.6172
432.432.199.0	DAF DIMETAL EVOBUS IVECO MAN NATO NEOPLAN	1505985 461.493.9 8285316000 42537851 84.52102.6017 2530.12.346.1880 11018638/11232800
432.432.278.0	MAN NATO NEOPLAN	81.52102.6087 / 9087 2530.12.337.0257 / 2530.23.337.0257 11018638 / 11232800
432.432.279.0	MAN	81.52102.6090

WABCO & KNORR APU'S RATIONALISED NUMBERS

Wabco

sensor



COMPLETE UNIT	AIR DRYER	PROTECTION VALVE	COMPLETE UNIT TT RATIO. REFS	
			WITH SENSOR	WITHOUT SENSOR
932.500.001	932.400.005	934.705.005	T06.51.003	-
932.500.002	932.400.006	934.705.005	T06.51.002	-
932.500.003	932.400.003	934.705.002	-	T06.51.004
932.500.004	932.400.003	934.705.002	-	T06.51.004
932.500.005	932.400.006	934.705.003	-	T06.51.005
932.500.006	932.400.005	934.705.005	T06.51.003	-
932.500.007	932.400.006	934.705.005	T06.51.002	-
932.500.013	932.400.005	934.705.005	T06.51.003	-
932.500.014	932.400.006	934.705.005	T06.51.002	-
932.500.015	932.400.006	934.705.003	-	-

Knorr

sensor



COMPLETE UNIT	AIR DRYER	PROTECTION VALVE	COMPLETE UNIT TT RATIO. REFS	
			WITH SENSOR	WITHOUT SENSOR
ZB.4504	LA.9010	AE.4510	T06.51.002	-
ZB.4505	LA.9011	AE.4510	T06.51.003	-
ZB.4506	LA.9002	AE.4505	-	T06.51.004
ZB.4507	LA.9002	AE.4505	-	T06.51.004
ZB.4511	LA.9010	AE.4510	T06.51.002	-
ZB.4512	LA.9011	AE.4510	T06.51.003	-
ZB.4513	LA.9010	AE.4510	T06.51.002	-
ZB.4564	LA.9010	AE.4510	T06.51.002	-
ZB.4534	LA.9010	AE.4510	T06.51.002	-
ZB.4535	LA.9011	AE.4510	T06.51.003	-

NOTE : For remanufactured exchange, use original References

BOSCH / KNORR & WABCO AIR DRYERS RATIONALISED N°

AIR DRYERS REPLACEMENTS: MAKERS N° VS TT N°

Makers n°	TT n°	Makers n°	TT n°	Makers n°	TT n°	Makers n°	TT n°
0.484.460.003	06.08.033	432.410.027	06.08.024	432.410.118	06.08.028	432.421.003	06.11.002
0.484.460.005	06.08.001	432.410.028	06.08.001	432.410.121	06.08.005	LA.6002	06.09.001
0.484.460.007	06.08.034	432.410.031	06.08.034	432.410.150	06.08.024	LA.6003	06.09.013
0.484.460.008	06.08.001	432.410.032	06.08.034	432.410.151	06.08.030	LA.6004	06.09.013
0.484.460.009	06.08.001	432.410.033	06.08.008	432.410.200	06.08.001	LA.6005	06.09.012
0.484.460.010	06.08.034	432.410.034	06.08.025	432.410.201	06.08.034	LA.6006	06.09.012
0.484.460.101	06.08.034	432.410.035	06.08.026	432.410.202	06.08.034	LA.6007	06.09.004
0.484.460.102	06.08.030	432.410.036	06.08.001	432.410.203	06.08.009	LA.6010	06.09.013
0.484.460.103	06.08.005	432.410.037	06.08.034	432.410.250	06.08.024	LA.6011	06.09.010
0.484.460.105	06.08.001	432.410.038	06.08.008	432.410.251	06.08.030	LA.6012	06.09.008
0.484.460.107	06.08.004	432.410.039	06.08.024	432.415.000	06.09.003	LA.6013	06.09.005
0.484.460.109	06.08.034	432.410.040	06.08.001	432.415.002	06.09.003	LA.6019	06.09.006
0.484.460.110	06.08.008	432.410.041	06.08.009	432.415.003	06.09.003	LA.6020	06.09.006
0.484.460.111	06.08.034	432.410.042	06.08.009	432.415.005	06.09.004	LA.6021	06.09.025
0.484.460.116	06.08.001	432.410.043	06.08.004	432.415.006	06.09.004	LA.6022	06.09.025
0.484.460.125	06.08.001	432.410.049	06.08.028	432.415.007	06.09.005	LA.6023	06.09.006
0.484.460.127	06.08.030	432.410.050	06.08.001	432.415.009	06.09.005	LA.6024	06.09.006
0.484.460.128	06.08.004	432.410.055	06.08.001	432.415.010	06.09.004	LA.6025	06.09.025
0.484.460.130	06.08.001	432.410.064	06.08.034	432.415.012	06.09.006	LA.6027	06.09.005
0.484.460.133	06.08.001	432.410.066	06.08.033	432.415.013	06.09.004	LA.6029	06.09.003
0.484.460.134	06.08.030	432.410.067	06.08.009	432.415.014	06.09.004	LA.6200	06.08.034
0.484.460.138	06.08.004	432.410.068	06.08.030	432.415.015	06.09.007	LA.6201	06.08.006
0.484.460.139	06.08.004	432.410.069	06.08.024	432.415.016	06.09.007	LA.6204	06.08.033
0.484.460.145	06.08.034	432.410.071	06.08.029	432.415.017	06.09.007	LA.6205	06.08.005
0.484.460.146	06.08.006	432.410.072	06.08.009	432.415.019	06.09.008	LA.6206	06.08.024
0.484.460.147	06.08.026	432.410.073	06.08.006	432.415.020	06.09.009	LA.6207	06.22.007
0.484.460.148	06.08.025	432.410.074	06.08.008	432.415.021	06.09.010	LA.6208	06.08.008
0.484.460.149	06.08.008	432.410.075	06.08.025	432.415.022	06.09.010	LA.6209	06.08.025
432.410.000	06.08.001	432.410.076	06.08.026	432.415.024	06.09.009	LA.6210	06.08.001
432.410.002	06.08.001	432.410.077	06.08.011	432.415.025	06.09.025	LA.6211	06.08.030
432.410.004	06.08.026	432.410.078	06.08.033	432.415.026	06.09.006	LA.6212	06.08.001
432.410.005	06.08.030	432.410.083	06.08.003	432.415.027	06.09.010	LA.6213	06.08.001
432.410.007	06.08.002	432.410.100	06.08.001	432.415.028	06.09.003	LA.6214	06.08.009
432.410.008	06.08.029	432.410.101	06.08.034	432.415.029	06.09.004	LA.6215	06.08.026
432.410.010	06.08.003	432.410.102	06.08.001	432.415.030	06.09.004	LA.6217	06.08.009
432.410.011	06.08.011	432.410.104	06.08.001	432.415.031	06.09.010	LA.6221	06.08.034
432.410.012	06.08.005	432.410.110	06.08.025	432.415.034	06.09.006	LA.6222	06.08.008
432.410.020	06.08.004	432.410.111	06.08.008	432.420.002	06.10.002	LA.6223	06.08.030
432.410.021	06.08.005	432.410.112	06.08.025	432.420.004	06.10.001	LA.6225	06.08.001
432.410.022	06.08.004	432.410.113	06.08.008	432.420.005	06.10.002	LA.6226	06.08.025
432.410.023	06.08.006	432.410.114	06.08.033	432.420.008	06.10.001	LA.6227	06.08.004
432.410.024	06.08.004	432.410.115	06.08.033	432.420.014	06.10.001	LA.6228	06.08.024
432.410.025	06.08.005	432.410.116	06.08.024	432.420.100	06.10.001	LA.6229	06.08.001
432.410.026	06.08.004	432.410.117	06.08.030	432.420.110	06.10.001	LA.6232	06.08.001

Most air dryers on the market can be replaced by the NEW Air Dryers in the accompanying table.

BOSCH / KNORR & WABCO AIR DRYERS RATIONALISED N°

AIR DRYERS REPLACEMENTS: MAKERS N° VS TT N°

Makers n°	TT n°	Makers n°	TT n°	Makers n°	TT n°
LA.6233	06.08.030	LA.8016	06.09.025	LA.8236	06.08.034
LA.6241	06.08.032	LA.8017	06.09.009	LA.8237	06.08.001
LA.6242	06.08.026	LA.8025	06.09.005	LA.8239	06.08.032
LA.6243	06.08.008	LA.8026	06.09.005	LA.8240	06.08.009
LA.6244	06.08.025	LA.8027	06.09.010	LA.8242	06.08.026
LA.6247	06.08.009	LA.8028	06.09.004	LA.8243	06.08.004
LA.6248	06.08.004	LA.8030	06.09.006	LA.8244	06.08.001
LA.6250	06.08.027	LA.8031	06.09.004	LA.8245	06.08.009
LA.6251	06.08.032	LA.8032	06.09.004	LA.8245	06.08.009
LA.6252	06.08.034	LA.8033	06.09.004	LA.8248	06.08.032
LA.6253	06.08.034	LA.8035	06.09.008	LA.8249	06.08.009
LA.6265	06.08.026	LA.8036	06.09.009	LA.8250	06.08.027
LA.6266	06.08.033	LA.8037	06.09.010	LA.8251	06.08.032
LA.6267	06.08.030	LA.8039	06.09.009	LA.8252	06.08.033
LA.6268	06.08.011	LA.8040	06.09.009	LA.8253	06.08.034
LA.6269	06.08.009	LA.8041	06.09.009	LA.8254	06.08.008
LA.6272	06.08.024	LA.8042	06.09.006	LA.8255	06.08.025
LA.6273	06.08.001	LA.8044	06.09.008	LA.8256	06.08.024
LA.6700	06.08.030	LA.8045	06.09.004	LA.8257	06.08.001
LA.6702	06.10.002	LA.8046	06.09.008	LA.8258	06.08.030
LA.6703	06.08.024	LA.8047	06.09.004	LA.8259	06.08.009
LA.6707	06.08.030	LA.8048	06.09.010	LA.8261	06.08.008
LA.6709	06.08.024	LA.8049	06.09.009	LA.8263	06.08.004
LA.6710	06.10.001	LA.8053	06.09.008	LA.8269	06.08.001
LA.6711	06.10.001	LA.8057	06.09.004	LA.8270	06.08.030
LA.6730	06.08.011	LA.8059	06.09.008	LA.8271	06.08.009
LA.6731	06.08.029	LA.8208	06.08.009	LA.8272	06.08.026
LA.6734	06.08.011	LA.8219	06.08.006	LA.8273	06.08.025
LA.6735	06.08.029	LA.8220	06.08.026	LA.8283	06.08.001
LA.6736	06.08.024	LA.8221	06.08.008	LA.8286	06.08.029
LA.8001	06.09.013	LA.8222	06.08.025	LA.8288	06.08.025
LA.8002	06.09.013	LA.8223	06.08.033		
LA.8003	06.09.012	LA.8224	06.08.009		
LA.8004	06.09.012	LA.8225	06.08.001		
LA.8005	06.09.004	LA.8226	06.08.009		
LA.8006	06.09.013	LA.8227	06.08.024		
LA.8007	06.09.012	LA.8228	06.08.034		
LA.8008	06.09.008	LA.8229	06.08.004		
LA.8010	06.09.006	LA.8230	06.08.024		
LA.8011	06.09.006	LA.8231	06.08.007		
LA.8012	06.09.025	LA.8232	06.08.008		
LA.8013	06.09.025	LA.8233	06.08.025		
LA.8014	06.09.006	LA.8234	06.08.001		
LA.8015	06.09.006	LA.8235	06.08.030		

Most air dryers on the market can be replaced by the NEW Air Dryers in the accompanying table.

REPAIR KIT ALPHA NUMERICAL INDEX

TT PART N°	OR KIT N°	MAKER	DESCRIPTION	APPLICATION
BOSK.14	1.487.010.199	BOSCH	R/KIT ANTI-FREEZER 0.484.451	0.484.451.005 / 007 / 008
BOSK.63	1.487.010.139	BOSCH	R/KIT W/O UNL VALVE	0.484.460.1..
BOSK.63.1	1.487.010.218	BOSCH	R/KIT UNL VALVE AD BOSCH	1.487.417.901
BOSK.63.7	1.487.010.159	BOSCH	HEATER ELEMENT 24Volt	0.484.460.107
BOSK.63.23	1.487.010.159	BOSCH	HEATER ELEMENT	0.484.460.107
BSK.62	-	BENDIX	R/KIT AD.2 (PURGE)	AD2 - PURGE VALVE
BSK.64	-	BENDIX	R/KIT AD.2	AD2 - REFILL KIT
BSK.64.10	287298	BENDIX	AD.2 CHECK VALVE KIT	AD.2
BSK.64.11	286873	BENDIX	PURGE VALVE HOUSING COMPLETE	AD.2
BSK.64.9	SK.2914.1	BENDIX	R/KIT CARTRIDGE AD.6S	AD.6S
BSK.64.9A	SK.2961.1	BENDIX	AD.6 PURGE/CHECK VALVE	AD.6S
BSK.64.9B	SK.2904.2	BENDIX	R/KIT UNLOADER AD6S	AD.6S
BSK.64.C	287313	BENDIX	CARTRIDGE COMPLETE FOR AD.2	AD.2
BSK.64.20	107796	BENDIX	CARTRIDGE COMPLETE FOR AD.9	AD.9
HSK.64	71034	HALDEX	R/KIT HALDEX AIR DRYER	HALDEX AIR DRYERS
HSK.64.5	77430	HALDEX	R/KIT CARTRIDGE A/DRYER SD N	HALDEX AIR DRYERS
HSK.64.7	-	BENDIX	HEATER ASSY	HALDEX AIR DRYERS
HSK.64.8	-	BENDIX	R/KIT AIR DRYER SINGLE(NEW)	3962679 - volvo
KSK.14	I.74017	KNORR	R/KIT EE.41..	EE.4101 - I.42387
KSK.14.1	I.85667	KNORR	R/KIT ALC EVAP LA.41..	LA.4117
KSK.14.3	I.86230	KNORR	R/KIT EE.4104	EE.41..
KSK.63	I.87918	KNORR	R/KIT LA.6../8.. AIR DRYERS	LA.60.. / LA.8..
KSK.63.2	II.32581.008	KNORR	R/KIT LA.9000	LA.9000
KSK.63.6	II.17793	KNORR	CARTRIDGE KIT BLUE	LA.6 ... / LA.8 ...
KSK.63.2U	-	KNORR	R/KIT FOR UNLOADER LA.82	LA.82 ...
KSK.63.23	-	KNORR	R/KIT HEATER SCANIA	-
KSK.63.24	II.30460.004	KNORR	R/KIT HEATER BAYON DIN72585	LA.9000

REPAIR KIT ALPHA NUMERICAL INDEX

TT PART N°	OR KIT N°	MAKER	DESCRIPTION	APPLICATION
KSK.63.3	II.37677.008	KNORR	R/KIT LA.81...	LA.81 ...
KSK.63.7	I.87122.004	KNORR	R/KIT HEATER 27 X 1	-
KSK.63.P	I.93123	KNORR	R/KIT PISTON (AIR-DRYER)	LA.6.... / LA.8...
WSK.14.3	434.300.000.2	WABCO	R/KIT 434.300 DRAIN VALVE	434.300.000.0
WSK.14.4	932.002.002.2	WABCO	R/KIT 932.002 ANTI-FR PUMP	932.002.....
WSK.14.6	432.511.000.2	WABCO	R/KIT FOR 432.511....	432.511.000.0
WSK.63	432.406.920.2	WABCO	CARTRIDGE KIT (WABCO)	432.4..DRYER BAG KIT
WSK.63.1	1111131	SCANIA	CARTRIDGE KIT 432.421.003 only	432.421...
WSK.63.6	432.410.020.2	WABCO	CARTRIDGE KIT (SCREW-ON TYPE)	SCREW-ON CARTRIDGE
WSK.63.6A	432.410.223.2	WABCO	CARTRIDGE (SCREW ON SCANIA)	-
WSK.63.6D	1391510	DAF	CARTRIDGE (SCREW ON DAF)	-
WSK.63.6E	20557234	VOLVO	CARTRIDGE	432.425 ...
WSK.63.6HD	432.410.220.2	WABCO	CARTRIDGE HIGH PRESSURE	-
WSK.63.7	894.260.040.2	WABCO	HEATER ELEMENT KIT 24V	432.41.../42... (24V)
WSK.63.9C	432.432.000.2	WABCO	R/KIT AIR-DRYER (COMPLETE)	432.430.../431.../432...
WSK.63.10	432.406.001.2	WABCO	R/KIT COMPLETE 432.406.	432.406.001
WSK.63.12	432.406.222.2	WABCO	CARTRIDGE ASSEMBLY (COMPLETE)	432.405.. / 406....
WSK.63.18C	276173	WABCO	R/KIT TIMER ASSY.	-
WSK.63.19	-	WABCO	R/KIT	432.430... / 431...
WSK.63.20	432.415.000.2	WABCO	R/KIT	432.415
WSK.63.23	-	WABCO	R/KIT FOR 432.410	432.410...
WSK.63.24	432.410.002.2	WABCO	R/KIT 432.4..UNL.EXHAUST	432.410.../420.../421...
WSK.63.25	-	WABCO	R/KIT FOR 432.413	432.413
WSK.63.40	932.400.000.2	WABCO	R/KIT 932.400.002 (APU 932.)	932.400.002
WSK.64.41	884.501.916.2	WABCO	R/KIT APU	932.400

REPAIR KIT



BOSK.14



BSK.62



BOSK.63



BSK.64



BOSK.63.1



BSK.64.10



BOSK.63.7



BSK.64.11



BOSK.63.23



BSK.64.9

REPAIR KIT



BSK.64.9A



BSK.64.9B



BSK.64.C



BSK.64.20



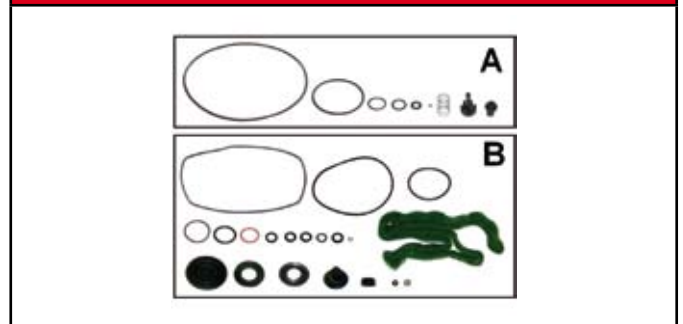
HSK.64



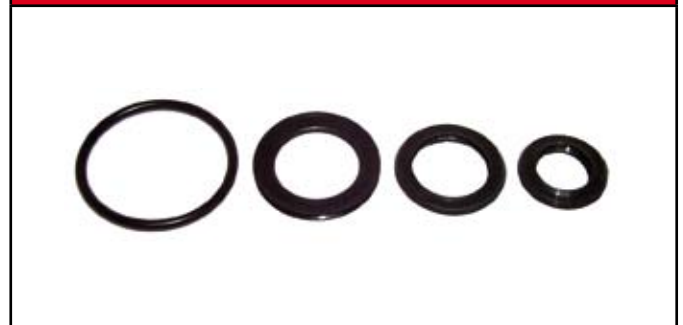
HSK.64.5



HSK.64.7



HSK.64.8



KSK.14

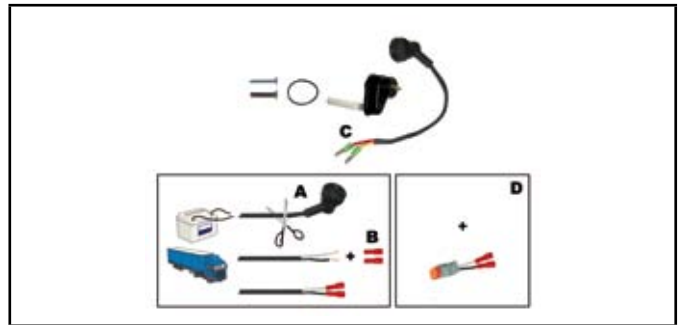


KSK.14.1

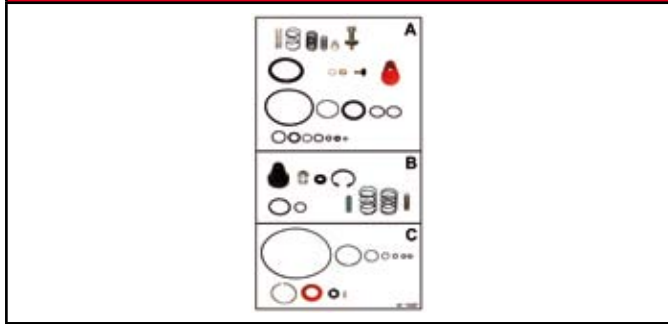
REPAIR KIT



KSK.14.3



KSK.63.23



KSK.63



KSK.63.24



KSK.63.2



KSK.63.3



KSK.63.6



KSK.63.7

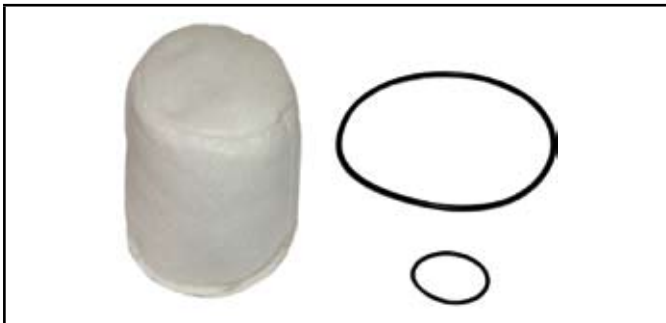


KSK.63.2U



KSK.63.P

REPAIR KIT



WSK.63



WSK.63.1



WSK.63.6



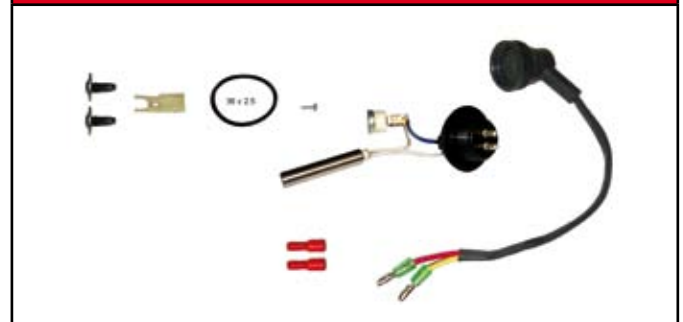
WSK.63.6A



WSK.63.6D



WSK.63.6HD



WSK.63.7



WSK.63.9C



WSK.63.10



WSK.63.12

REPAIR KIT



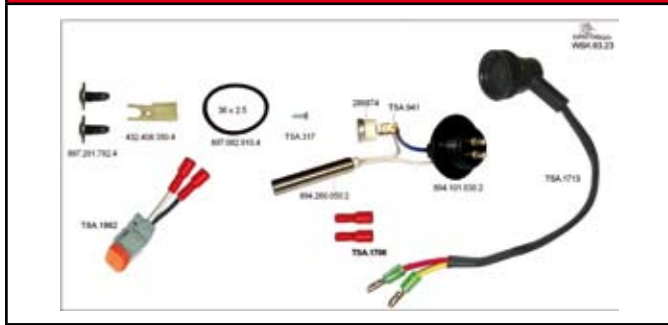
WSK.63.18C



WSK.63.19



WSK.63.20



WSK.63.23



WSK.63.24



WSK.63.25



WSK.63.40



WSK.63.41



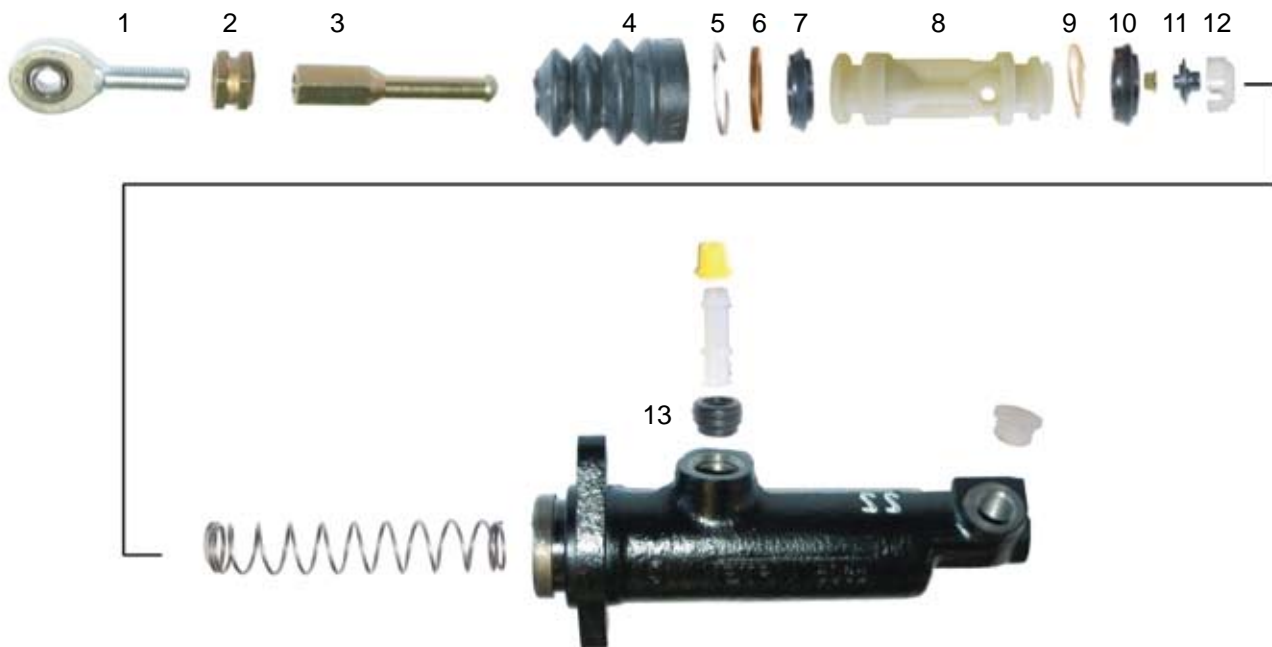


FTE FOR DAF - 08.02.009

UNITS		REPAIR KIT		
FTE N°	OEM N°	FAG	OEM	TT
KG.22026.0.1	1291190	-	-	FSK.5



Ø 22.2



REPAIR KIT	DESCRIPTION	ITEMS IN KIT
FSK.5	COMPLETE R/KIT	1 TO 13

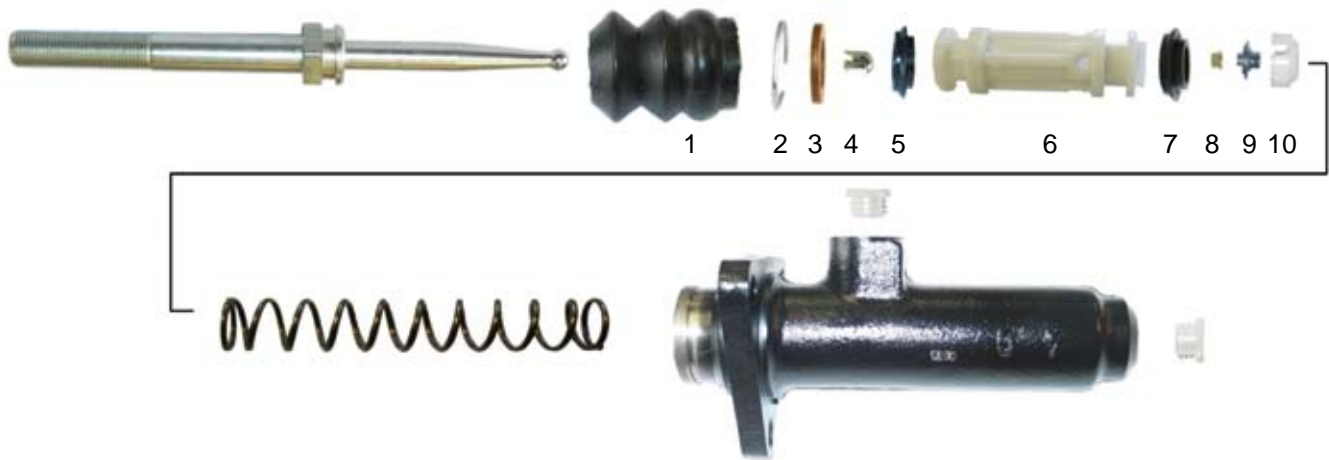


FTE FOR DAF - 08.02.015

UNITS		REPAIR KIT		
FTE N°	OEM N°	FAG	OEM	TT
KG.250001.0.2	109740 395161 96392	RK.25717	1237496 696264	FSK.15



Ø 25.4



REPAIR KIT	DESCRIPTION	ITEMS IN KIT
FSK.15	COMPLETE R/KIT	1 TO 10

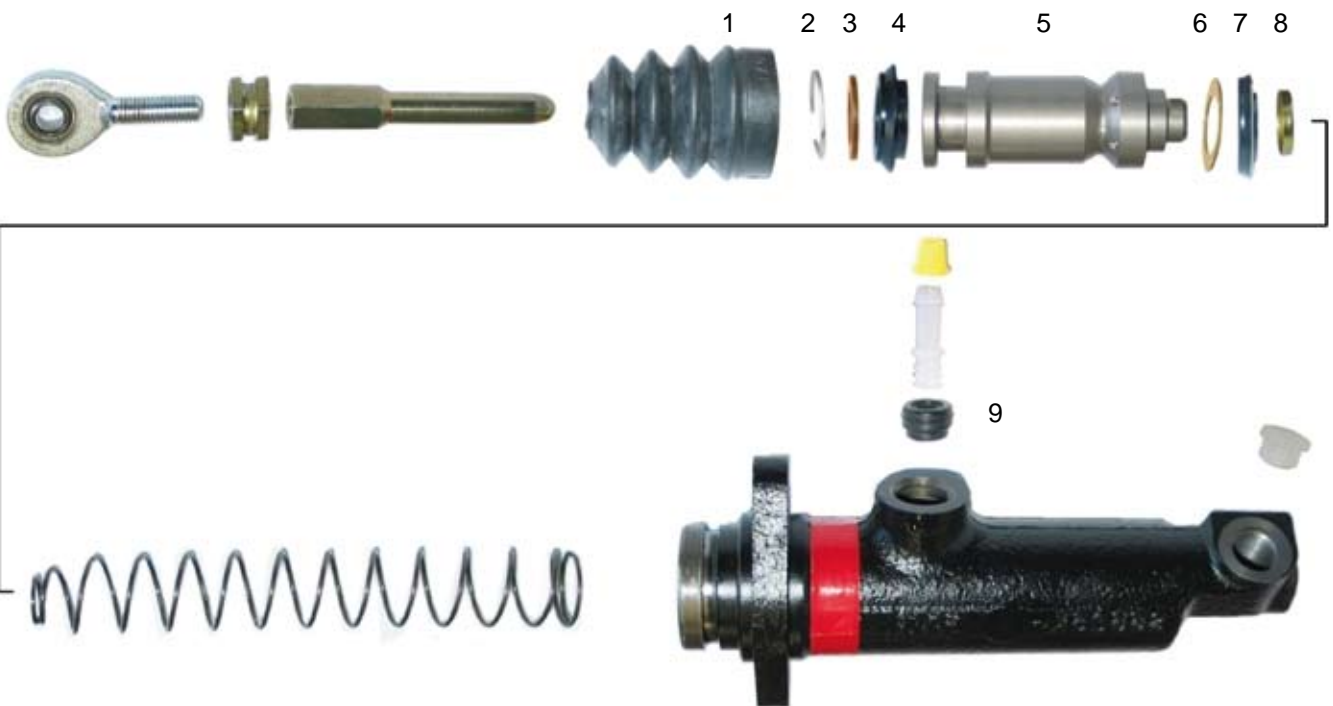


FTE FOR DAF - 08.02.017

UNITS		REPAIR KIT		
FTE N°	OEM N°	FAG	OEM	TT
KG.250005.0.1	1255105	-	-	FSK.19



Ø 25.4



REPAIR KIT	DESCRIPTION	ITEMS IN KIT
FSK.19	COMPLETE R/KIT	1 TO 9

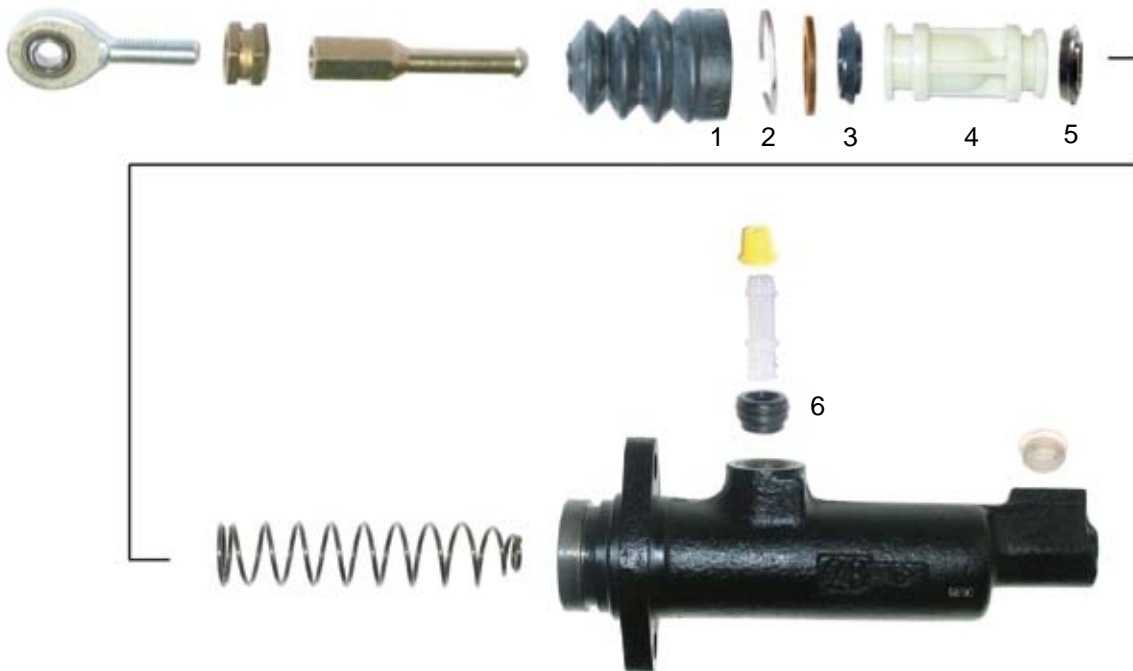


FTE FOR DAF - 08.02.023

UNITS		REPAIR KIT		
FTE N°	OEM N°	FAG	OEM	TT
KG.28010.0.1	223443 372589 894880	RK.28706	1237505	FSK.17



Ø 28.57



REPAIR KIT	DESCRIPTION	ITEMS IN KIT
FSK.17	COMPLETE R/KIT	1 TO 6

KONGSBERG FOR DAF - 08.04.015

UNITS		REPAIR KIT		
KONGSBERG N°	OEM N°	KONGSBERG	OEM	TT
626761	1348734	627202	1373533	TSK.28.10



Ø 24



REPAIR KIT	DESCRIPTION	ITEMS IN KIT
TSK.28.10	R/KIT MASTER CYLINDER	1 TO 8

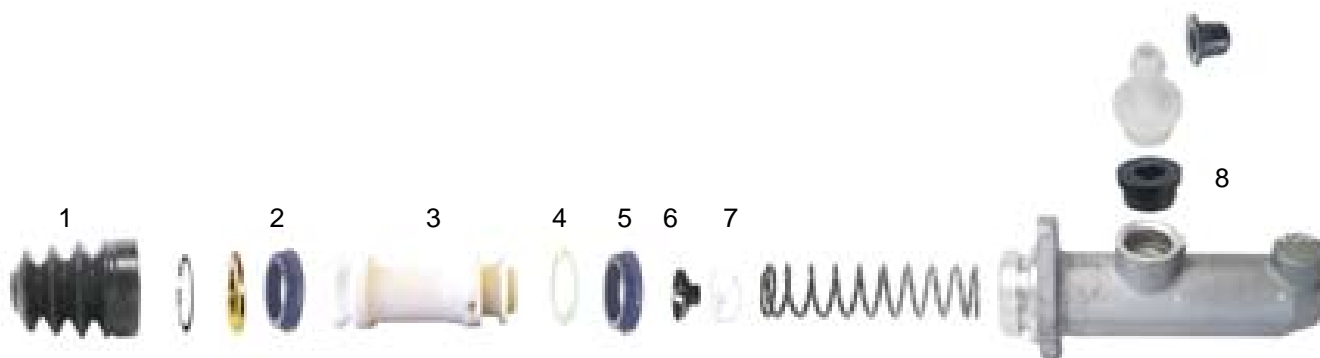


KONGSBERG FOR DAF - 08.04.016

UNITS		REPAIR KIT		
KONGSBERG N°	OEM N°	KONGSBERG	OEM	TT
626760	1339412	627200	1373531	TSK.28



Ø 26



REPAIR KIT	DESCRIPTION	ITEMS IN KIT
TSK.28	R/KIT MASTER CYLINDER	1 TO 8

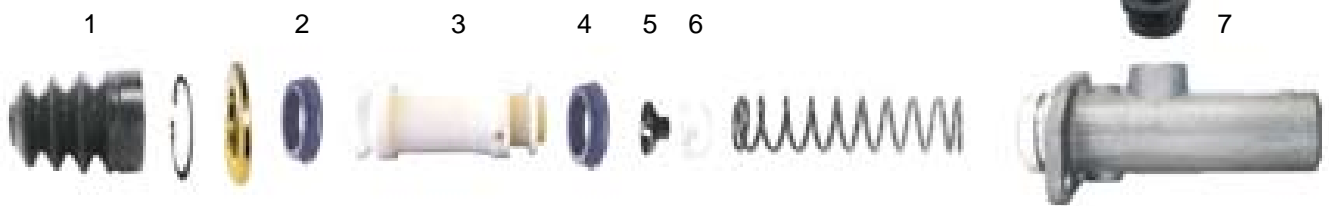


KONGSBERG FOR DAF - 08.04.017

UNITS		REPAIR KIT		
KONGSBERG N°	OEM N°	KONGSBERG	OEM	TT
626762	1395485	627201	1373532	TSK.28.11



Ø 22



REPAIR KIT	DESCRIPTION	ITEMS IN KIT
TSK.28.11	R/KIT MASTER CYLINDER	1 TO 7

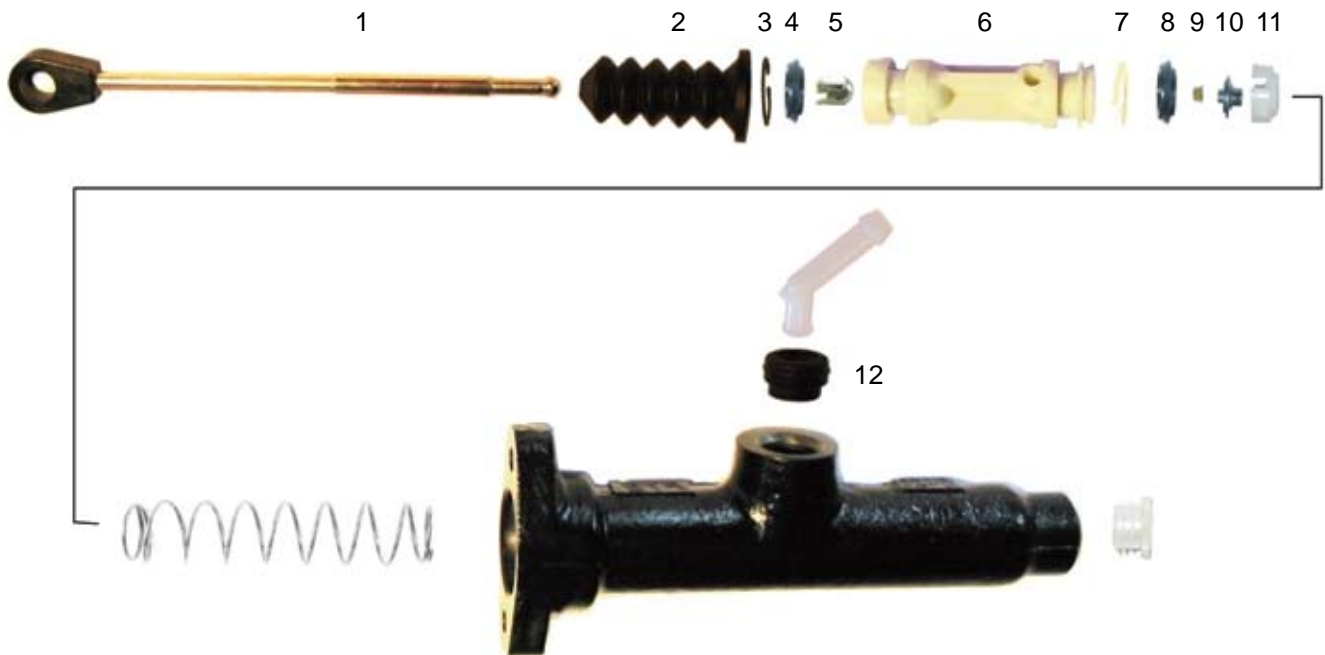


FTE FOR DAIMLER-BENZ - 08.02.005

UNITS		REPAIR KIT		
FTE N°	OEM N°	FAG	OEM	TT
KG.19098.1.6	667.290.02.12	RK.19799	000.290.18.12	FSK.8



Ø 19.05



REPAIR KIT	DESCRIPTION	ITEMS IN KIT
FSK.8	COMPLETE R/KIT	1 TO 12

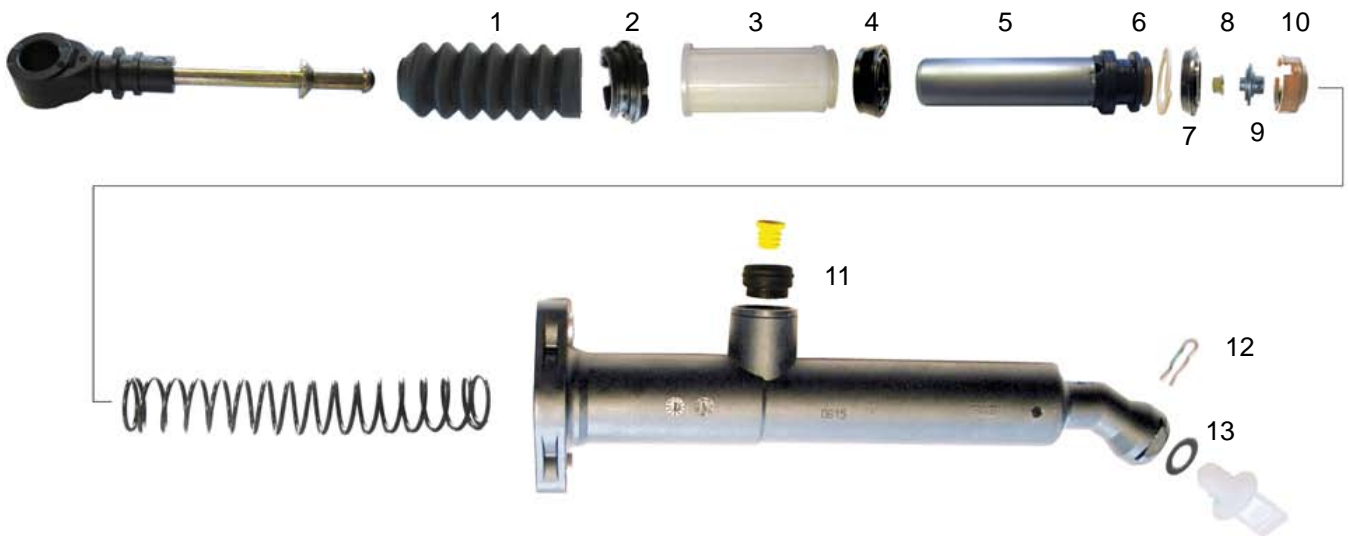


FTE FOR DAIMLER-BENZ - 08.02.006

UNITS		REPAIR KIT		
FTE N°	OEM N°	FAG	OEM	TT
KG.20001.0.10	001.295.95.06	-	-	FSK.2



Ø 20,64



REPAIR KIT	DESCRIPTION	ITEMS IN KIT
FSK.2	COMPLETE R/KIT	1 TO 13

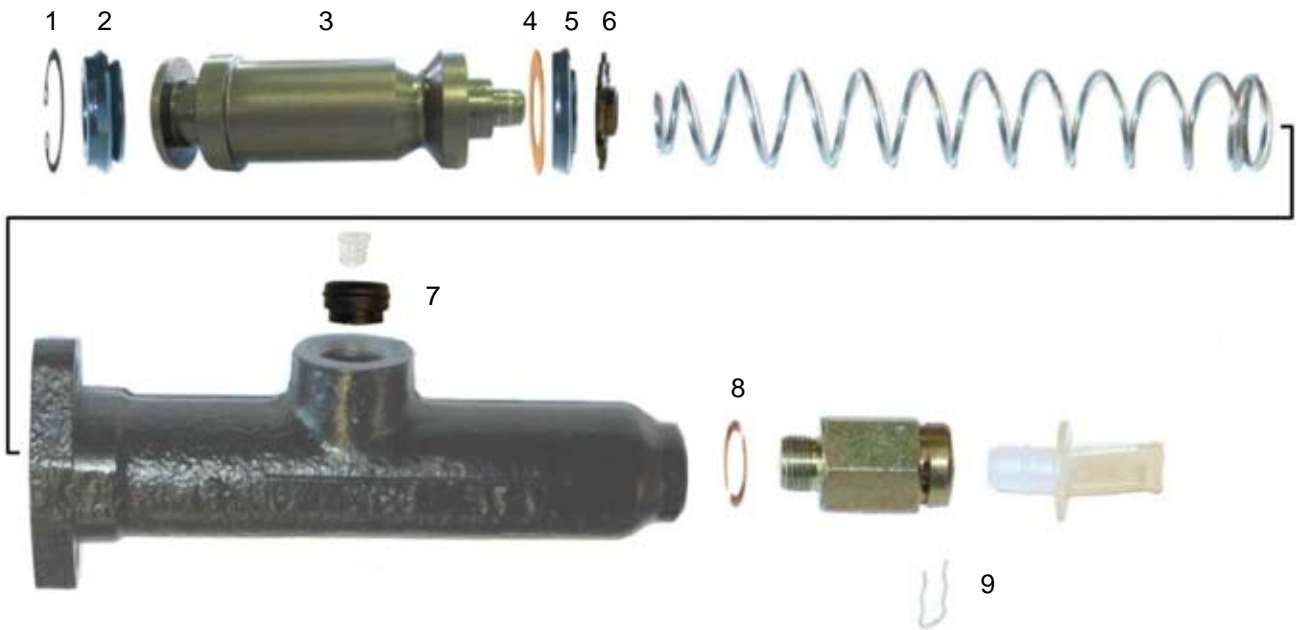


FTE FOR DAIMLER-BENZ - 08.02.024

UNITS		REPAIR KIT		
FTE N°	OEM N°	FAG	OEM	TT
KG.20010.0.1	001.295.01.06	-	-	FSK.6



Ø 20.64



REPAIR KIT	DESCRIPTION	ITEMS IN KIT
FSK.6	COMPLETE R/KIT	1 TO 9



FTE FOR DAIMLER-BENZ - 08.02.008

UNITS		REPAIR KIT		
FTE N°	OEM N°	FAG	OEM	TT
KG.22019.1.4	673.295.00.06	RK.22762	000.290.40.12	FSK.9



Ø 22.2



1

2

3

4

5

6

7

8

9



10



11

REPAIR KIT	DESCRIPTION	ITEMS IN KIT
FSK.9	COMPLETE R/KIT	1 TO 11

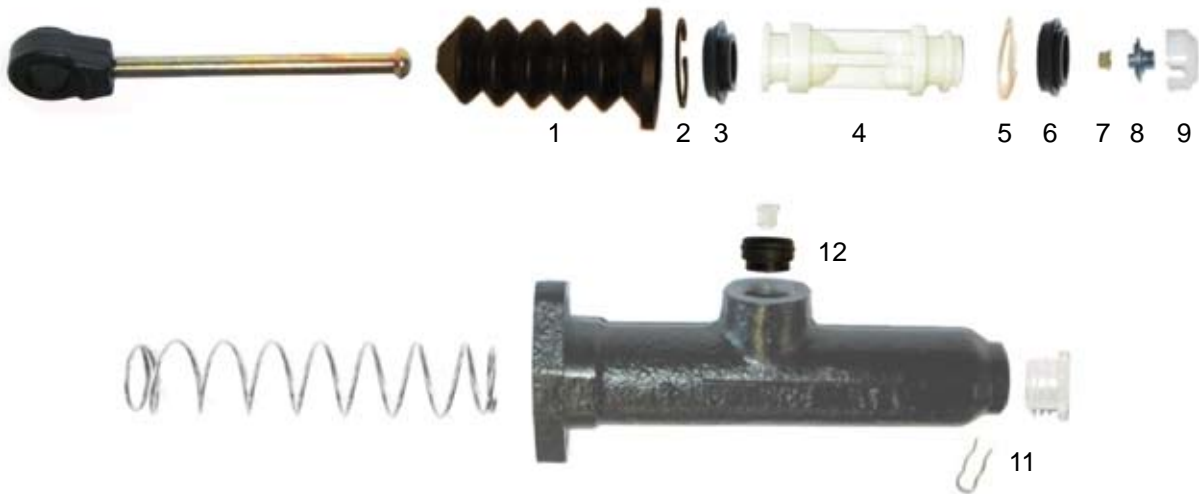


FTE FOR DAIMLER-BENZ - 08.02.012

UNITS		REPAIR KIT		
FTE N°	OEM N°	FAG	OEM	TT
KG.23021.1.3	001.295.25.06 001.295.53.06	RK.23719	000.290.23.67	FSK.12



Ø 23.81



REPAIR KIT	DESCRIPTION	ITEMS IN KIT
FSK.12	COMPLETE R/KIT	1 TO 11

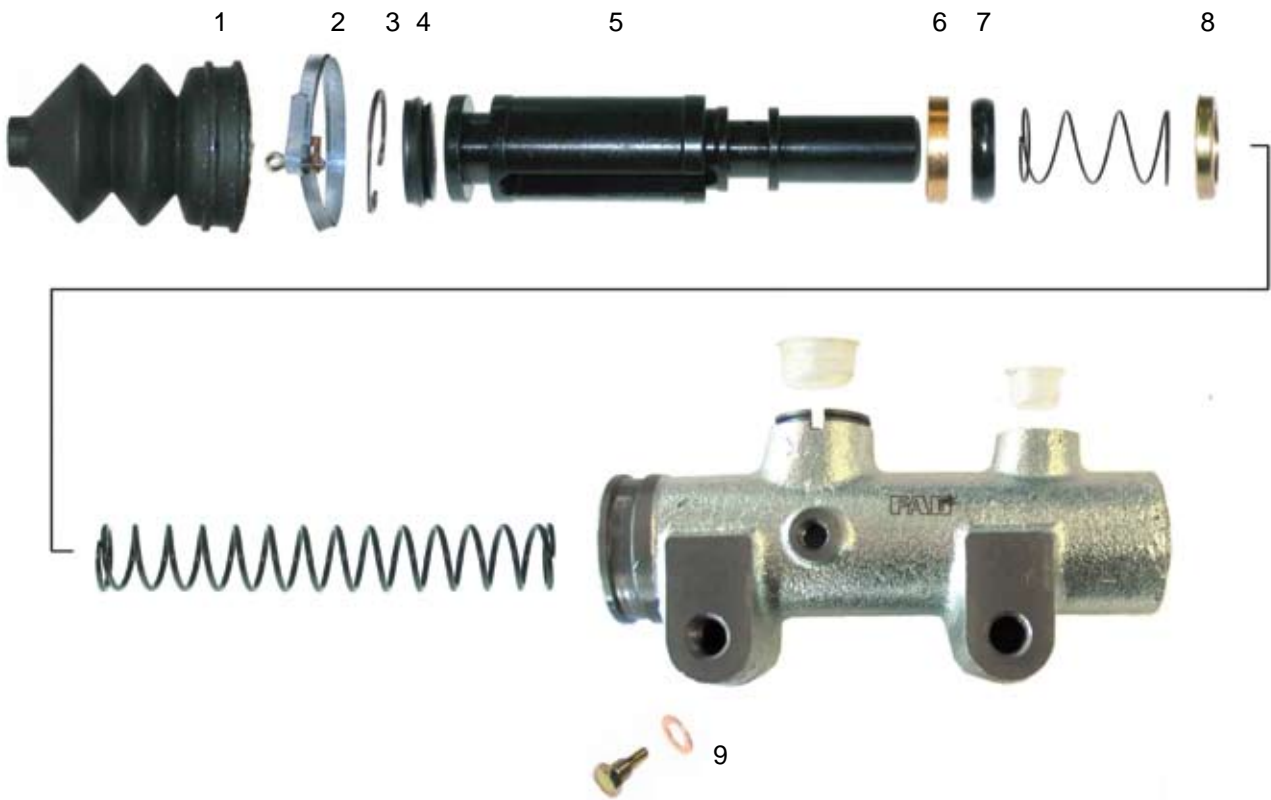


FTE FOR IVECO - 08.02.021

UNITS		REPAIR KIT		
FTE N°	OEM N°	FAG	OEM	TT
KG.250009.1.1	4853409	-	-	FSK.20



Ø 25.4



REPAIR KIT	DESCRIPTION	ITEMS IN KIT
FSK.20	COMPLETE R/KIT	1 TO 9

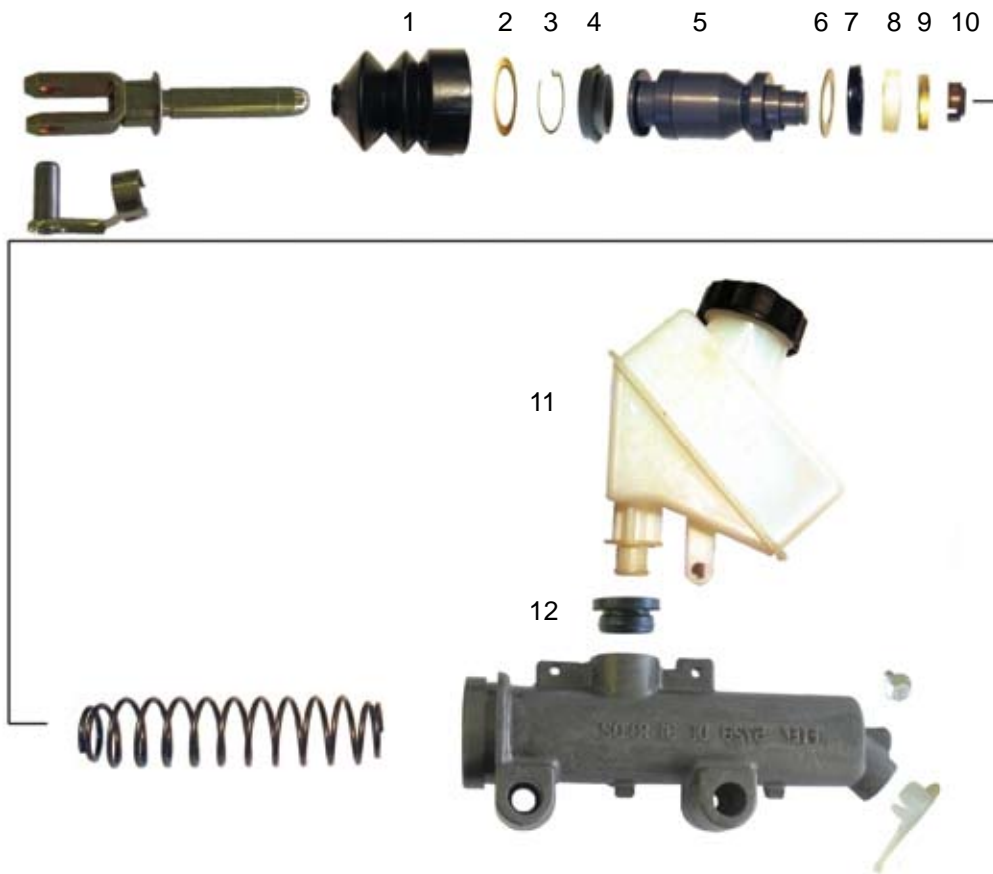


FTE FOR IVECO - 08.02.022

UNITS		REPAIR KIT		
FTE N°	OEM N°	FAG	OEM	TT
KG.3107.0.1	41211005			FSK.21



Ø 31.75



REPAIR KITS	DESCRIPTION	ITEMS IN KIT
FSK.21	COMPLETE R/KIT	1 TO 10
FSK.21.1	RESERVOIR KIT	11 & 12

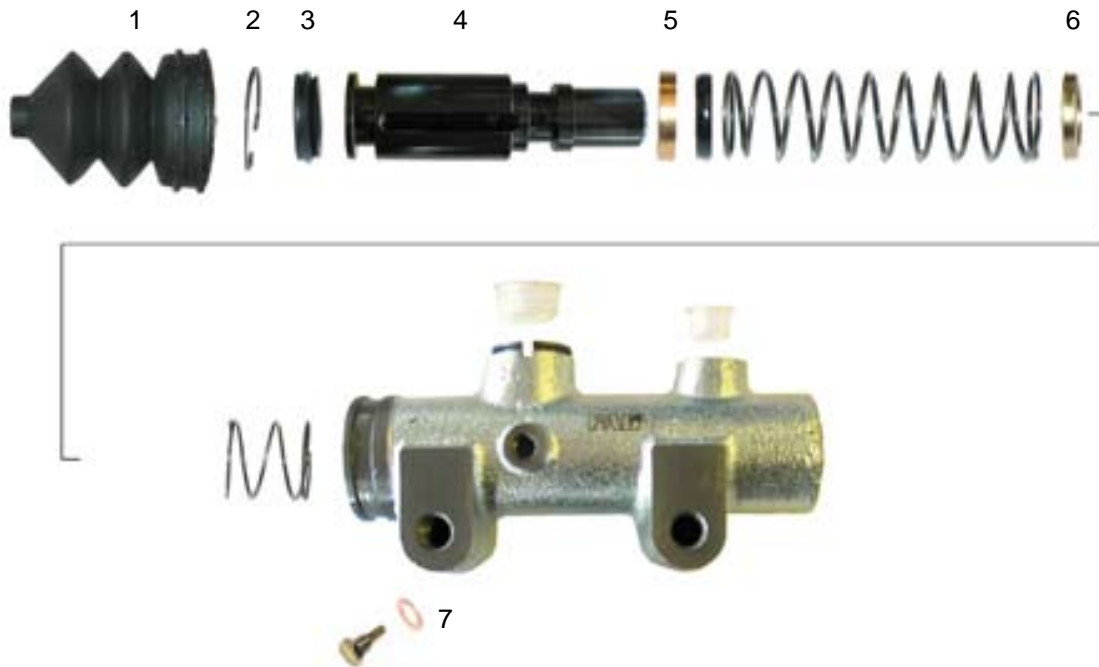


FTE FOR IVECO - 08.02.027

UNITS		REPAIR KIT		
FTE N°	OEM N°	FAG	OEM	TT
KG.3106.0.1	4853408	-	-	FSK.4



Ø 31.75



REPAIR KIT	DESCRIPTION	ITEMS IN KIT
FSK.4	COMPLETE R/KIT	1 TO 7

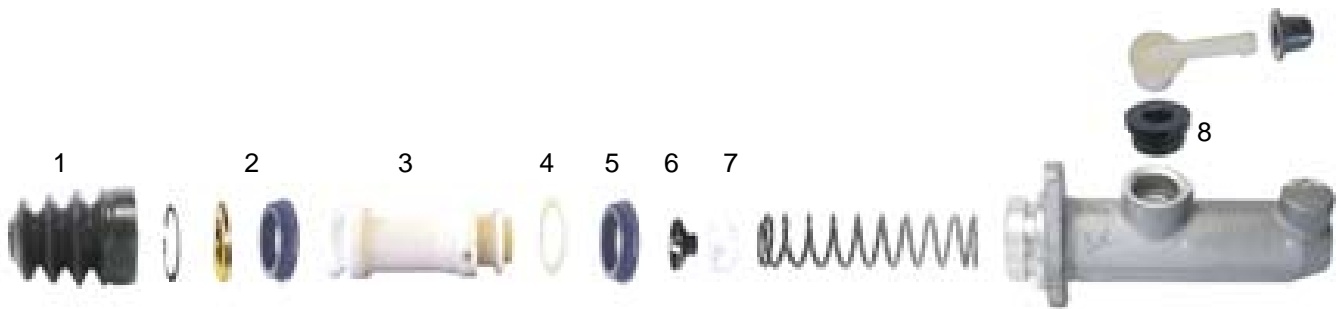


KONGSBERG FOR LEYLAND - 08.04.010

UNITS		REPAIR KIT		
KONGSBERG N°	OEM N°	KONGSBERG	OEM	TT
625826	ACHD274	626608	AMPA852	TSK.28.7



Ø 26



REPAIR KIT	DESCRIPTION	ITEMS IN KIT
TSK.28.7	R/KIT MASTER CYLINDER	1 TO 8

KONGSBERG FOR LEYLAND - 08.04.013

UNITS		REPAIR KIT		
KONGSBERG N°	OEM N°	KONGSBERG	OEM	TT
626564	ACHD722	626608	AMPA852	TSK.28.7



Ø 26



REPAIR KIT	DESCRIPTION	ITEMS IN KIT
TSK.28.7	R/KIT MASTER CYLINDER	1 TO 8

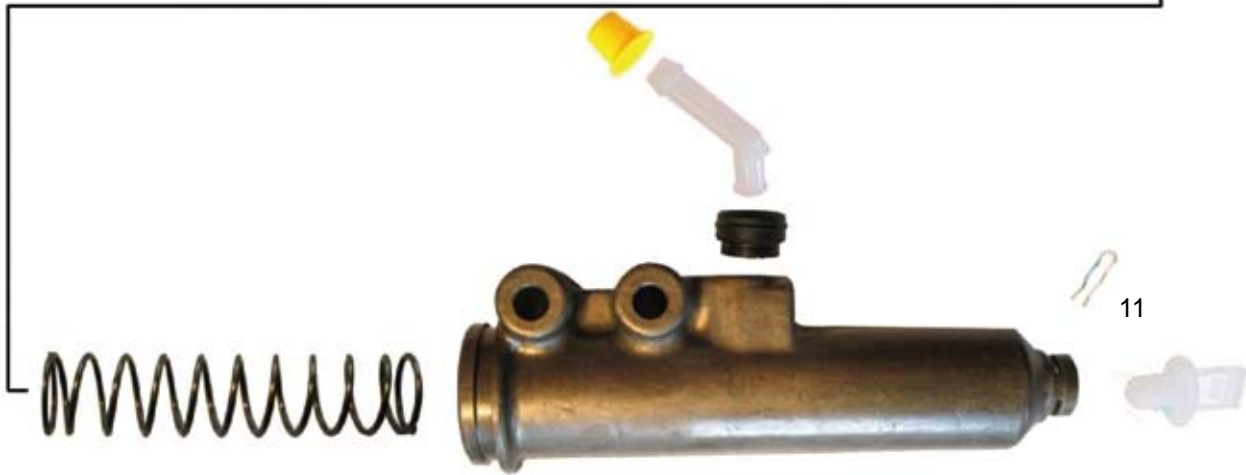


FTE FOR MAN - 08.02.010

UNITS		REPAIR KIT		
FTE N°	OEM N°	FAG	OEM	TT
KG.22027.0.2	81.30715.6140	RK.22761	81.30715.6144	FSK.10



Ø 22.2



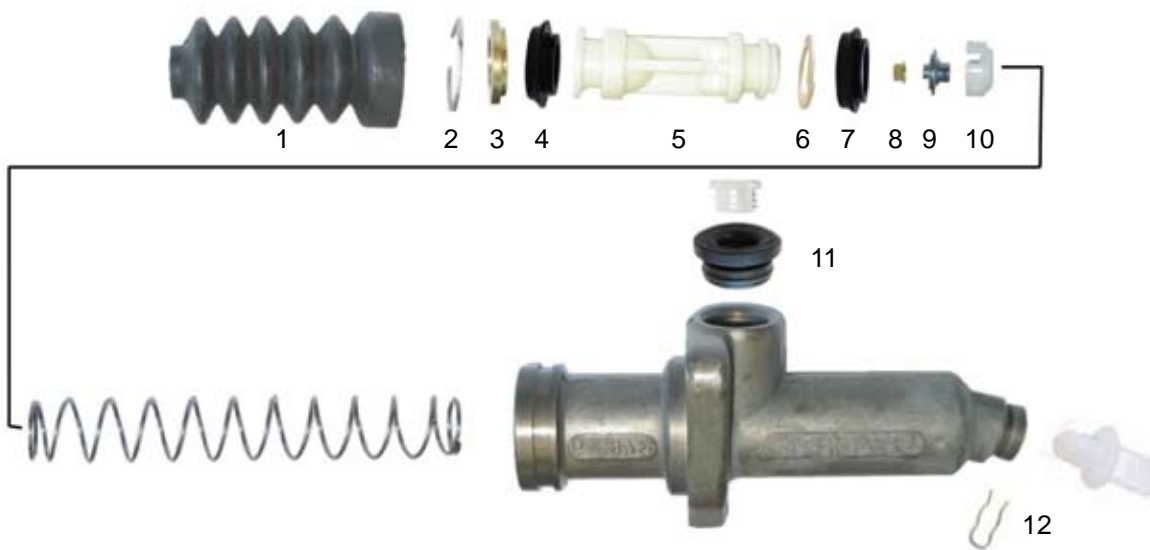
REPAIR KIT	DESCRIPTION	ITEMS IN KIT
FSK.10	COMPLETE R/KIT	1 TO 10

FTE FOR MAN - 08.02.011

UNITS		REPAIR KIT		
FTE N°	OEM N°	FAG	OEM	TT
KG.22028.0.2	81.30715.6141	RK.22760	81.30715.6143	FSK.11



Ø 22.2



REPAIR KIT	DESCRIPTION	ITEMS IN KIT
FSK.11	COMPLETE R/KIT	1 TO 12

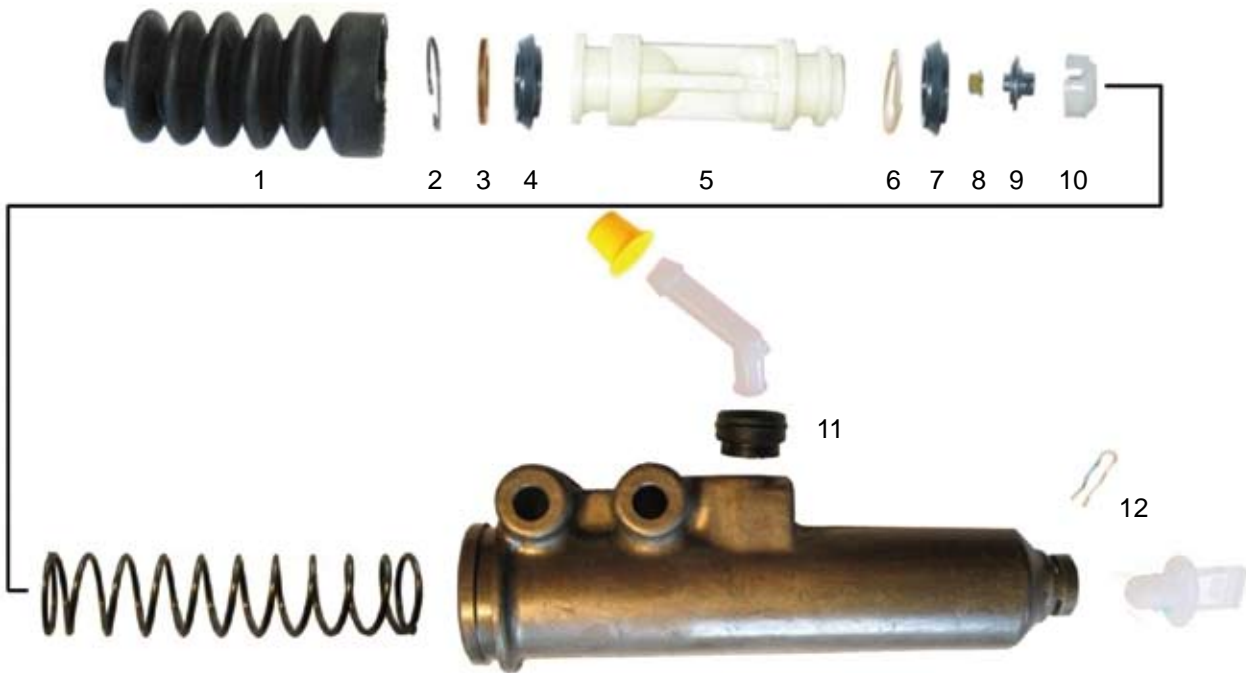


FTE FOR MAN - 08.02.018

UNITS		REPAIR KIT		
KONGSBERG N°	OEM N°	KONGSBERG	OEM	TT
KG.250006.0.2	81.30715.6132	RK.25718	81.30715.6145	FSK.16



Ø 25.4



REPAIR KIT	DESCRIPTION	ITEMS IN KIT
FSK.16	COMPLETE R/KIT	1 TO 12



KONGSBERG FOR MAN - 08.04.005

UNITS		REPAIR KIT		
KONGSBERG N°	OEM N°	KONGSBERG	OEM	TT
623109	81.30715.6120	625977	81.30715.6139	TSK.28.4



Ø 26



REPAIR KIT	DESCRIPTION	ITEMS IN KIT
TSK.28.4	R/KIT MASTER CYLINDER	1 TO 8

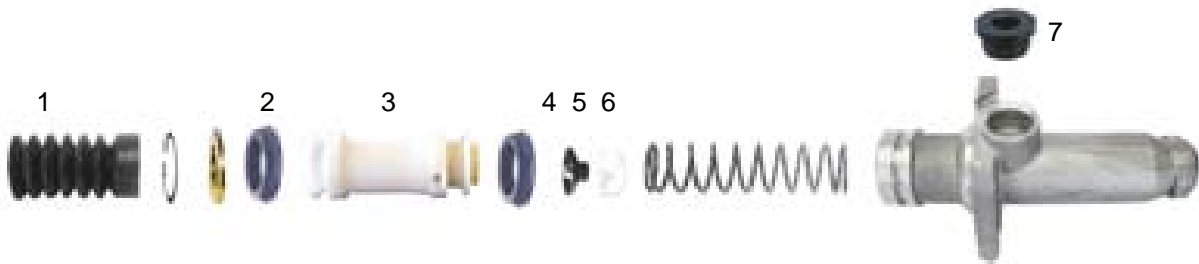


KONGSBERG FOR MAN - 08.04.006

UNITS		REPAIR KIT		
FTE N°	OEM N°	KONGSBERG	OEM	TT
623160	81.30715.6119	625976	81.30715.6138	TSK.28.5



Ø 24



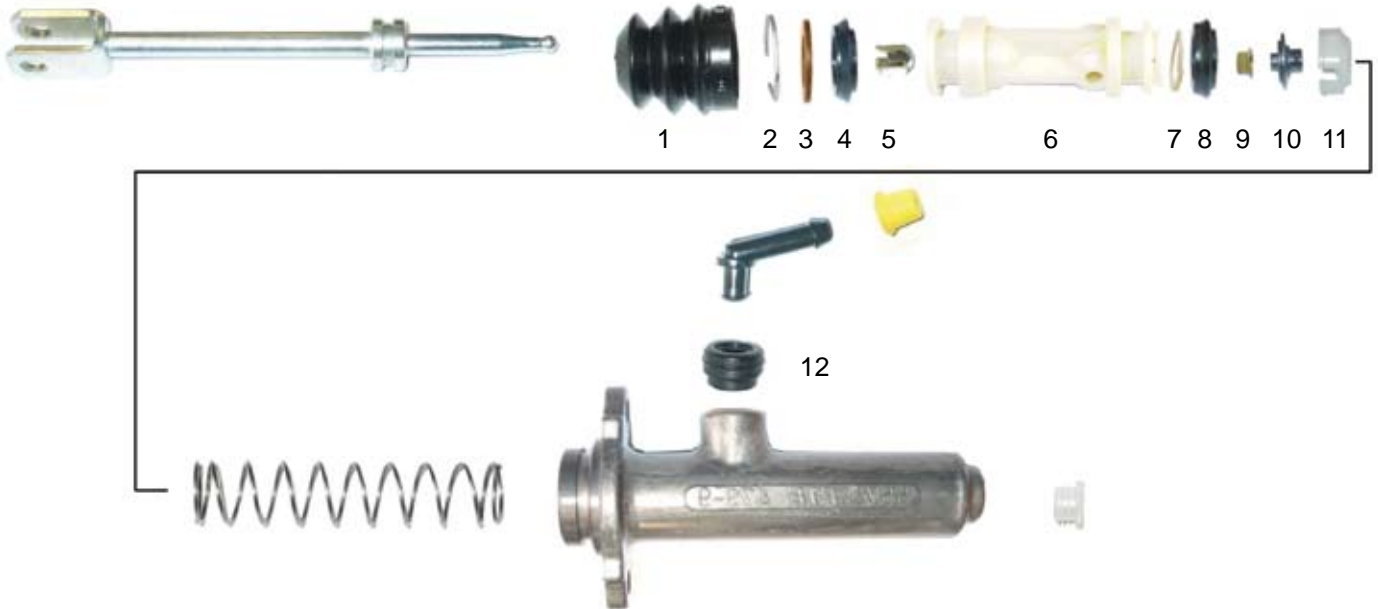
REPAIR KIT	DESCRIPTION	ITEMS IN KIT
TSK.28.5	R/KIT MASTER CYLINDER	1 TO 7

FTE FOR RVI - 08.02.014

UNITS		REPAIR KIT		
FTE N°	OEM N°	FAG	OEM	TT
KG.2397.1.20	5010136472	RK.23733	5001835243	FSK.14



Ø 23.81



REPAIR KIT	DESCRIPTION	ITEMS IN KIT
FSK.14	COMPLETE R/KIT	1 TO 12



FTE FOR RVI - 08.02.019

UNITS		REPAIR KIT		
FTE N°	OEM N°	FAG	OEM	TT
KG.2397.1.19	5010056380 5516028036	RK.23725	5000816063 5001835242	FSK.22



Ø 23.81



REPAIR KIT	DESCRIPTION	ITEMS IN KIT
FSK.22	R/KIT MASTER CYLINDER	1 TO 12

FTE FOR VOLVO - 08.02.019

UNITS		REPAIR KIT		
FTE N°	OEM N°	FAG	OEM	TT
KG.2397.1.19	3127318 3953328 6028036 6771722 6857432	RK.23725	273443 276649 6771724	FSK.22



Ø 23.81



REPAIR KIT	DESCRIPTION	R KIT CONTENT
FSK.22	R/KIT MASTER CYLINDER	1 TO 12



KONGSBERG FOR RVI - 08.04.002

UNITS		REPAIR KIT		
KONGSBERG N°	OEM N°	KONGSBERG	OEM	TT
623104	5000877187	-	-	TSK.28.1



Ø 25



REPAIR KIT	DESCRIPTION	ITEMS IN KIT
TSK.28.1	R/KIT MASTER CYLINDER	1 TO 8



KONGSBERG FOR RVI - 08.04.003

UNITS		REPAIR KIT		
KONGSBERG N°	OEM N°	KONGSBERG	OEM	TT
623105	5000877188	-	-	TSK.28.2



Ø 28



REPAIR KIT	DESCRIPTION	ITEMS IN KIT
TSK.28.2	R/KIT MASTER CYLINDER	1 TO 8

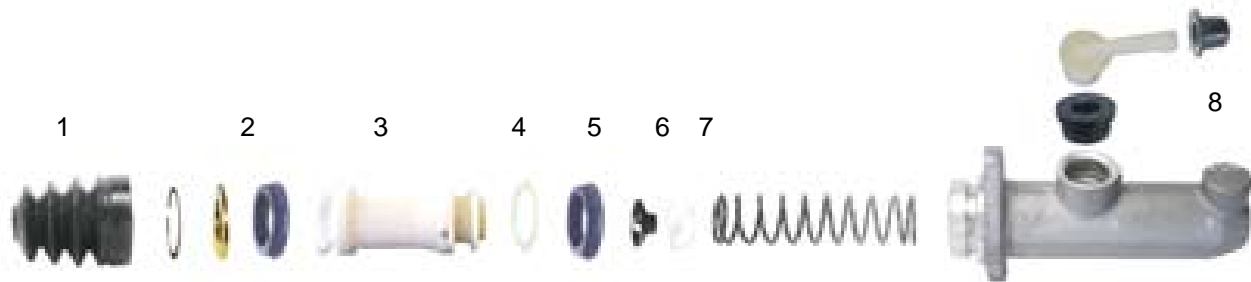


KONGSBERG FOR RVI - 08.04.004

UNITS		REPAIR KIT		
KONGSBERG N°	OEM N°	KONGSBERG	OEM	TT
623106	5000792359	626243		TSK.28.12



Ø 26



REPAIR KIT	DESCRIPTION	ITEMS IN KIT
TSK.28.12	R/KIT MASTER CYLINDER	1 TO 8

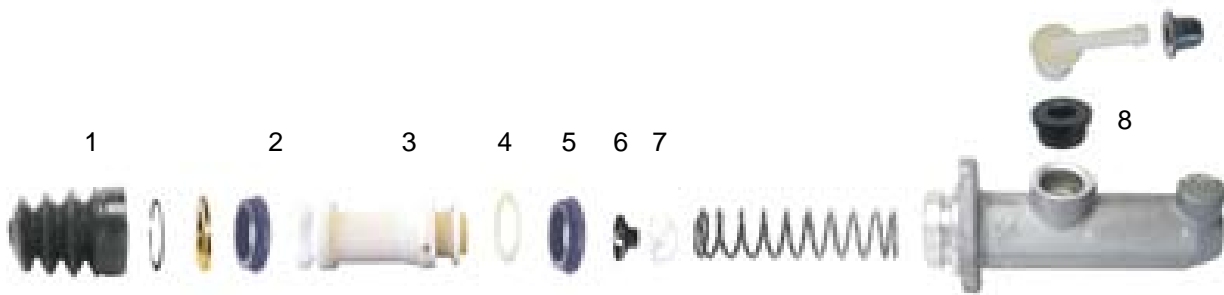


KONGSBERG FOR RVI - 08.04.007

UNITS		REPAIR KIT		
KONGSBERG N°	OEM N°	KONGSBERG	OEM	TT
624248	5010251357	626165	-	TSK.28.6



Ø 28



REPAIR KIT	DESCRIPTION	ITEMS IN KIT
TSK.28.6	R/KIT MASTER CYLINDER	1 TO 8



KONGSBERG FOR RVI - 08.04.011

UNITS		REPAIR KIT		
KONGSBERG N°	OEM N°	KONGSBERG	OEM	TT
626159	5001834842	626163	5001834844	TSK.28.8



Ø 28



REPAIR KITS	DESCRIPTION	ITEMS IN KIT
TSK.28.8	R/KIT MASTER CYLINDER	1 TO 8



BENDIX FOR SCANIA - 08.08.001



BSK.80

BSK.80.1



UNITS		REPAIR KIT		
BENDIX N°	OEM N°	BENDIX	OEM	TT
2250105	537194	-	538919	BSK.80
2250105	537194	-	415126	BSK.80.1

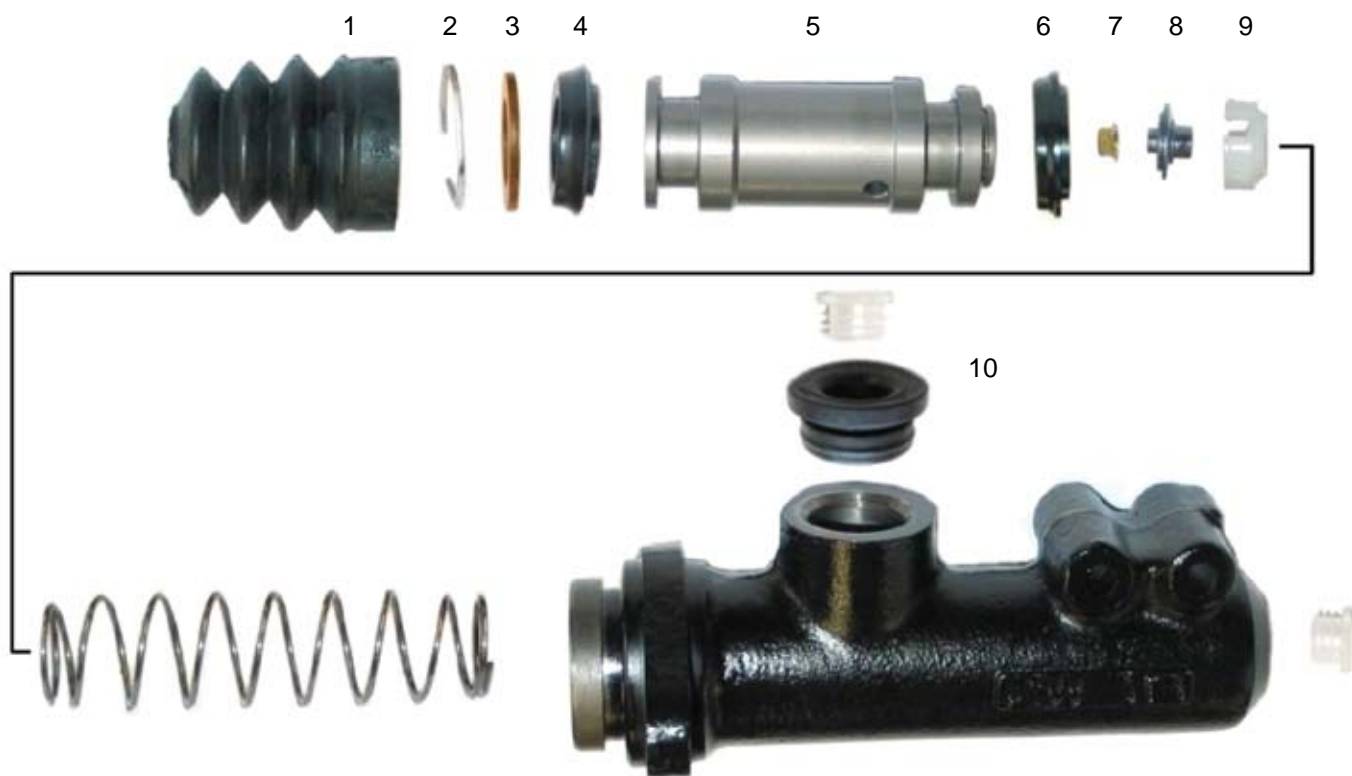


FTE FOR SCANIA - 08.02.016

UNITS		REPAIR KIT		
FTE N°	OEM N°	FAG	OEM	TT
KG.250004.0.2	1361136	-	-	FSK.18



Ø 25.4



REPAIR KIT	DESCRIPTION	ITEMS IN KIT
FSK.18	COMPLETE R/KIT	1 TO 10



FTE FOR SCANIA - 08.02.026

UNITS		REPAIR KIT		
FTE N°	OEM N°	FAG	OEM	TT
KG.2595.1.4	292962 355973	RK.25703	550440	FSK.3



Ø 25.4



REPAIR KITS	DESCRIPTION
FSK.3	COMPLETE R/KIT



KONGSBERG FOR SCANIA - 08.04.008

UNITS		REPAIR KIT		
KONGSBERG N°	OEM N°	KONGSBERG	OEM	TT
624502 *	1358801	623157	550464	TSK.28



Ø 26



REPAIR KITS	DESCRIPTION	ITEMS IN KIT
TSK.28	R/KIT MASTER CYLINDER	1 TO 9
TSK.28.A	R/KIT PUSH ROD SHORT 103.2 MM	11
TSK.28.B	R/KIT PUSH ROD LONG 147.75 MM	10



KONGSBERG FOR SCANIA - 08.04.009

UNITS		REPAIR KIT		
KONGSBERG N°	OEM N°	KONGSBERG	OEM	TT
624503 *	1361136	623157	550462	TSK.28



Ø 26



REPAIR KITS	DESCRIPTION	ITEMS IN KIT
TSK.28	R/KIT MASTER CYLINDER	1 TO 9
TSK.28.A	R/KIT PUSH ROD SHORT 103.2 MM	11
TSK.28.B	R/KIT PUSH ROD LONG 147.75 MM	10

KONGSBERG FOR SCANIA - 08.04.022



UNITS		REPAIR KIT		
KONGSBERG N°	OEM N°	KONGSBERG	OEM	TT
631522	1800442	-	-	NO KIT

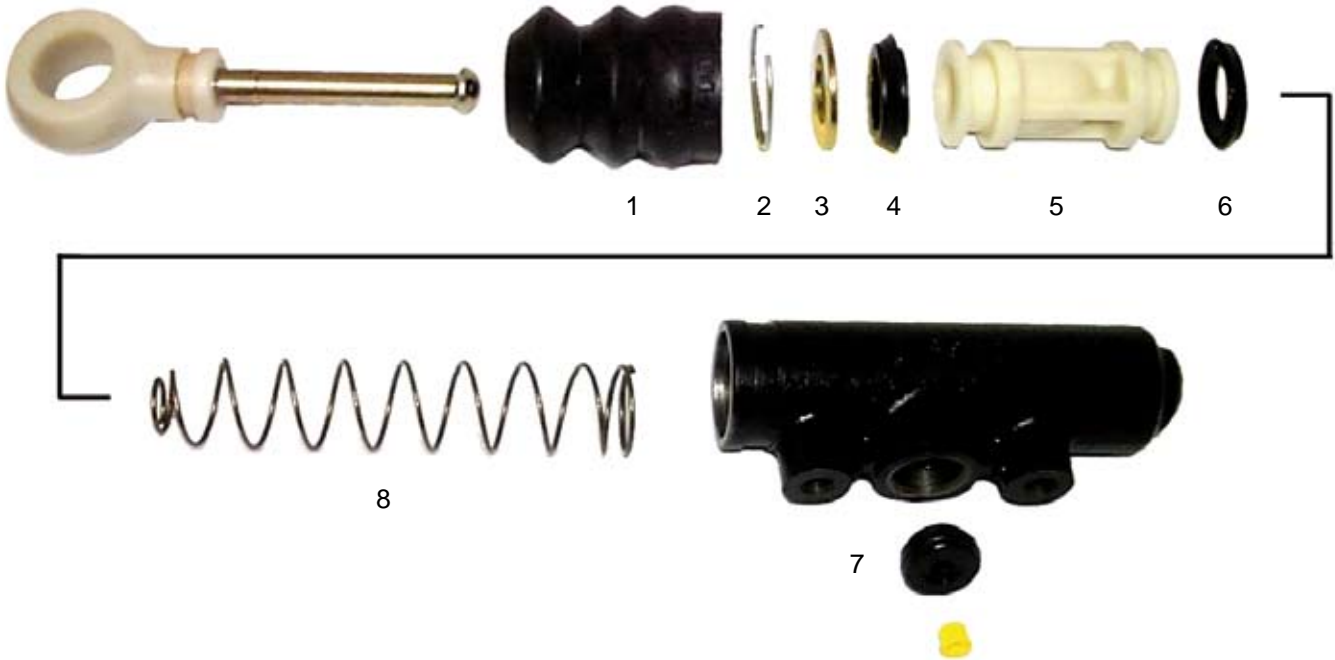


FTE FOR VOLVO - 08.02.001

UNITS		REPAIR KIT		
FTE N°	OEM N°	FAG	OEM	TT
KG.28014.1.1	1581209	RK.28710	271106	FSK.7
	1614351		276834	
	1620462		3094523	
	1669488	RK.2866	273660	FSK.1
		-	-	FSK.1.1



Ø 28.57



REPAIR KITS	DESCRIPTION	ITEMS IN KIT
FSK.7	R/KIT WITH PLASTIC PISTON	1 TO 7
FSK.1	R/KIT WITHOUT PISTON	1 TO 4 , 6 TO 8
FSK.1.1	R/KIT WITH ALUMINIUM PISTON	1 TO 4 , 6 TO 9

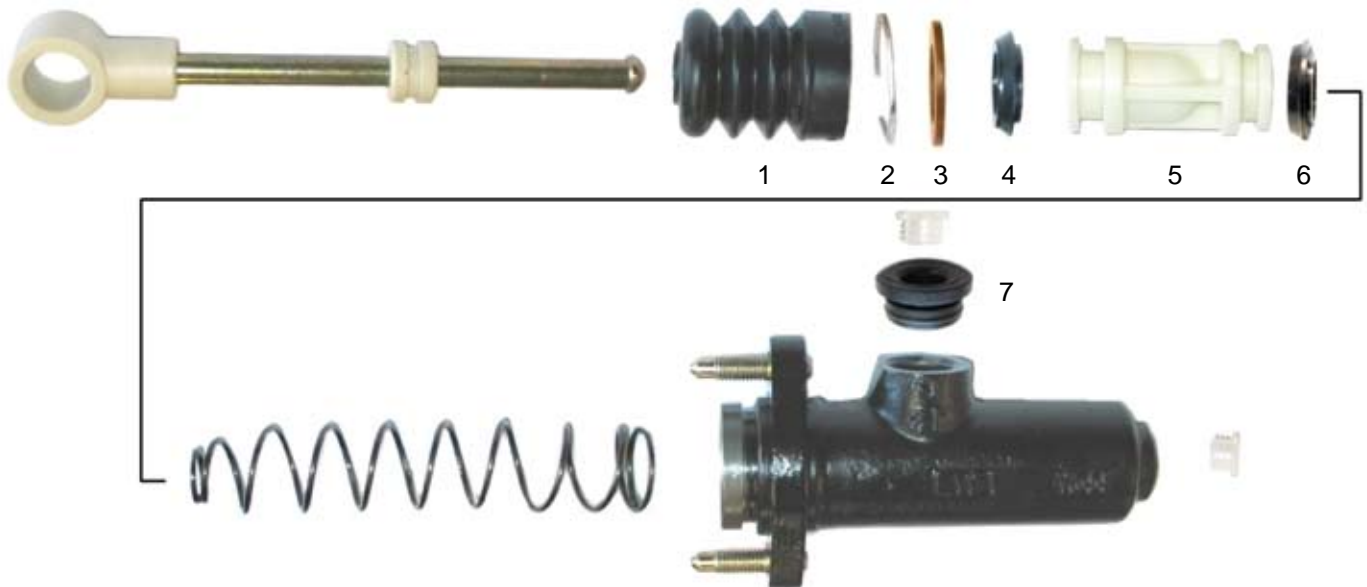


FTE FOR VOLVO - 08.02.004

UNITS		REPAIR KIT		
FTE N°	OEM N°	FAG	OEM	TT
KG.28012.0.1	1628218	RK28712	-	FSK.23



Ø 28,57



REPAIR KITS	DESCRIPTION	ITEMS IN KIT
FSK.23	COMPLETE R/KIT	1 TO 7



DAIMLER BENZ



1

2

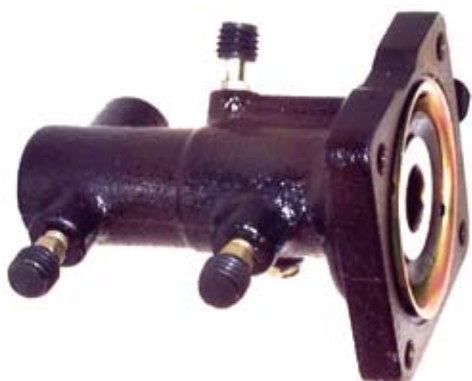
	NUMBER	OEM N°	OEM	REPAIR KTI N°
1	0.483.004.201	001.431.85.14	DAIM	BOSK.6
1	0.483.004.401	001.431.72.14	DAIM	BOSK.6
1	0.483.004.601	001.431.71.14	DAIM	BOSK.6
2	0.483.004.501	001.431.75.14	DAIM	BOSK.6
2	0.483.004.701	001.431.73.14	DAIM	BOSK.6



TT PART N°	ORIGINAL KIT N°	MAKER	DESCRIPTION	APPLICATION
BOSK.6	1.487.010.196	BOSCH	R/KIT 0.483.004..	0.483.004



DAIMLER BENZ



NUMBER	OEM N°	OEM	REPAIR KIT N°
470.012.520	007.420.21.18	DAIM	WSK.18.4C



TT PART N°	OR KIT N°	MAKER	DESCRIPTION	APPLICATION
WSK.18.4C	RK.2413	FTE	PISTON ASSY FAG DESIGN	470.012.520

RVI

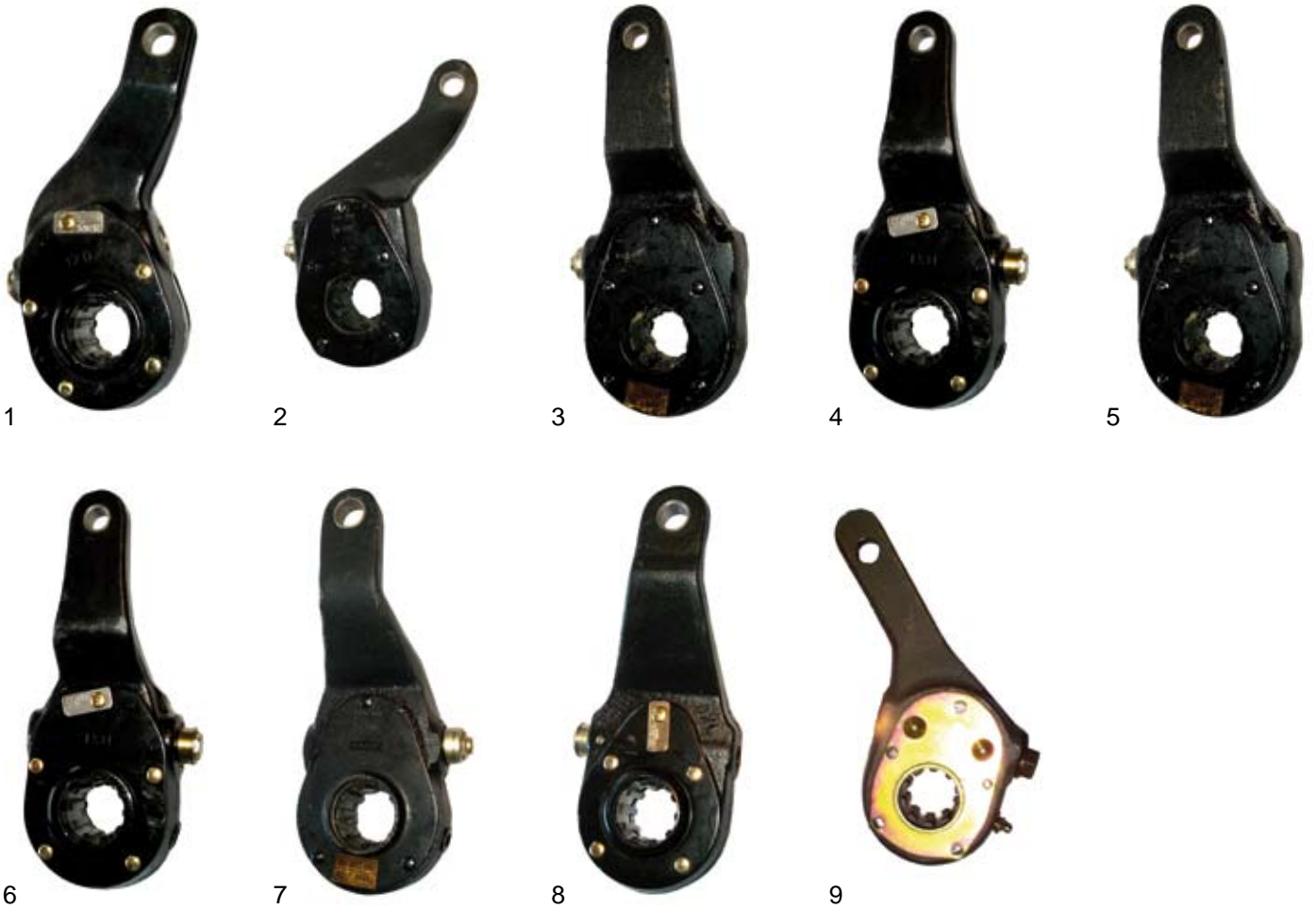


NUMBER	OEM N°	OEM	REPAIR KIT N°
921.399.012	5000790819	RVI	WSK.5
921.399.014	5000808526	RVI	WSK.5



TT PART N°	OR KIT N°	MAKER	DESCRIPTION	APPLICATION
WSK.5	921.399.004.2	WABCO	R/KIT ACTUATOR	921.399....

BENDIX



	BENDIX N°	TYPE°	OEM N°	OEM	REPAIR KIT
1	267026	24	1448115	SCA	BSK.9.2 / 9.4
1	130060	24	278736	SCA	BSK.9.2 / 9.4
2	267027	24	1448114	SCA	BSK.9.2 / 9.4
2	130059	24	278735	SCA	BSK.9.2 / 9.4
3	295407	20	1505325	VOL	BSK.9 / 9.1
4	295408	20	1505324	VOL	BSK.9 / 9.1
5	264433	20	6883363	VOL	BSK.9 / 9.1
6	264432	20	6883362	VOL	BSK.9 / 9.1
7	264471	20	276517	SCA	BSK.9 / 9.1 / 9.3
7	267083	20	1448111	SCA	BSK.9 / 9.1 / 9.3
8	267084	20	1448112	SCA	BSK.9 / 9.1 / 9.3
8	264472	20	276518	SCA	BSK.9 / 9.1 / 9.3
9	264397	30	278734	SCA	BSK.9.2 / 9.4
9	295567	30	1448113	SCA	BSK.9.2 / 9.4



DAF



MAKER N°	TT N°	BODY N°	CONTROL PLATE
70823	SAB.0823	2752	HSK.2.419
70824	SAB.0824	2760	HSK.2.419
70825	SAB.0825	2761	HSK.2.419
72085	SAB.2085	2752	HSK.2.908
72197	SAB.2197	2752	HSK.2.258
72223	SAB.2223	2987	HSK.2.900
72224	SAB.2224	2985	HSK.2.900
72523	SAB.2523	2760	HSK.2.558
72524	SAB.2524	2761	HSK.2.558
72525	SAB.2525	2760	HSK.2.555
72526	SAB.2526	2761	HSK.2.555
72530	SAB.2530	3226	HSK.2.555
72532	SAB.2532	2760	HSK.2.558
72533	SAB.2533	2761	HSK.2.558
72534	SAB.2534	2752	HSK.2.555
72535	SAB.2535	3226	HSK.2.558
72536	SAB.2536	2987	HSK.2.557
72537	SAB.2537	2985	HSK.2.557
72538	SAB.2538	4042	HSK.2.560
72539	SAB.2539	4043	HSK.2.560
72542	SAB.2542	2987	HSK.2.557
72543	SAB.2543	2985	HSK.2.557
72545	SAB.2545	3186	HSK.2.556
72546	SAB.2546	2752	HSK.2.557
72547	SAB.2547	3226	HSK.2.560
72608	SAB.2608	2765	HSK.2.555
72609	SAB.2609	2766	HSK.2.555
72704	SAB.2704	3894	HSK.2.555
72705	SAB.2705	3895	HSK.2.555
72794	SAB.2794	4077	HSK.2.555
72795	SAB.2795	4078	HSK.2.555
79024	SAB.9024	4070	HSK.2.735
79025	SAB.9025	4071	HSK.2.735

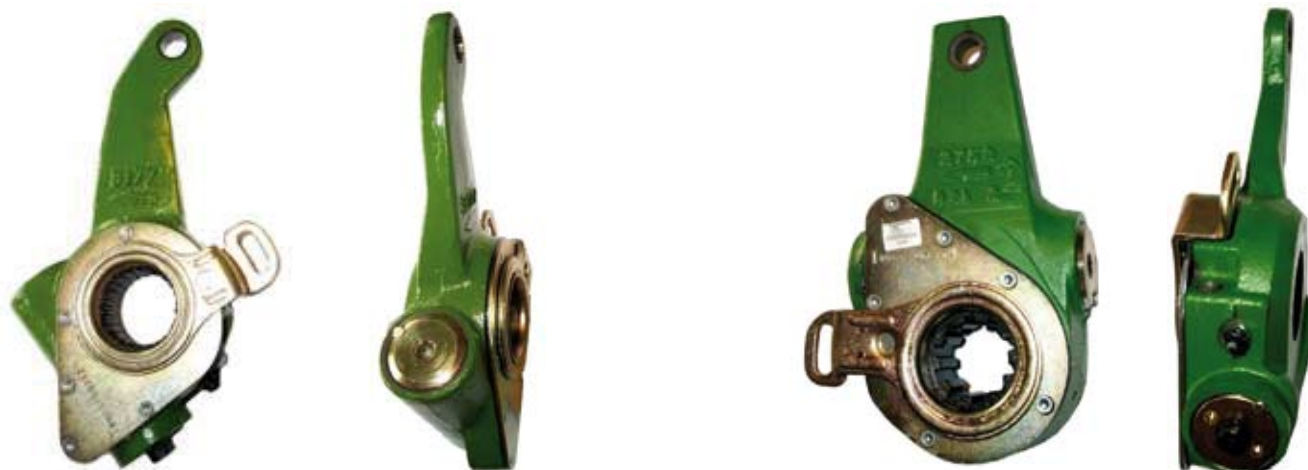


DAIMLER BENZ



MAKER N°	TT N°	BODY N°	CONTROL PLATE
70706	SAB.0706	3078	HSK.2.854
70775	SAB.0775	3202	HSK.2.864
70917	SAB.0917	3186	HSK.2.281
70918	SAB.0918	3185	HSK.2.282
70954	SAB.0954	4024	HSK.2.682
70967	SAB.0967	3196	HSK.2.255
70968	SAB.0968	3195	HSK.2.255
70990	SAB.0990	4044	HSK.2.799
70991	SAB.0991	4045	HSK.2.799
72036	SAB.2036	3893	HSK.2.684
72037	SAB.2037	3892	HSK.2.684
72038	SAB.2038	4004	HSK.2.687
72039	SAB.2039	4005	HSK.2.687
72040	SAB.2040	4010	HSK.2.685
72041	SAB.2041	4011	HSK.2.685
72046	SAB.2046	4024	HSK.2.769
72054	SAB.2054	3894	HSK.2.770
72055	SAB.2055	3895	HSK.2.770
72059	SAB.2059	3900	HSK.2.686
72060	SAB.2060	3860	HSK.2.272
72061	SAB.2061	3861	HSK.2.272
72127	SAB.2127	4017	HSK.2.269
72128	SAB.2128	4016	HSK.2.269
72173	SAB.2173	3185	HSK.2.293
72174	SAB.2174	3186	HSK.2.293
72178	SAB.2178	4049	HSK.2.575
72211	SAB.2211	4035	HSK.2.477
72212	SAB.2212	4036	HSK.2.477
72213	SAB.2213	4037	HSK.2.476

DAIMLER BENZ



MAKER N°	TT N°	BODY N°	CONTROL PLATE
72308	SAB.2308	3177	HSK.2.482
72364	SAB.2364	2752	HSK.2.365
72593	SAB.2593	4019	HSK.2.881
72594	SAB.2594	4018	HSK.2.881
72596	SAB.2596	3900	HSK.2.885
72597	SAB.2597	4068	HSK.2.801
72598	SAB.2598	4069	HSK.2.801
72616	SAB.2616	3878	HSK.2.802
72617	SAB.2617	3879	HSK.2.802
72809	SAB.2809	4045	HSK.2.768
72810	SAB.2810	4044	HSK.2.768
72811	SAB.2811	4045	HSK.2.512
72812	SAB.2812	4044	HSK.2.512
79185	SAB.9185	3900	HSK.2.294
79205	SAB.9205	3878	HSK.2.782
79206	SAB.9206	3879	HSK.2.782



HINO



MAKER N°	TT N°	BODY N°	CONTROL PLATE
12254	SAB.12254	2760	HSK.2.164
12255	SAB.12255	2761	HSK.2.164
12256	SAB.12256	2752	HSK.2.424

IVECO



MAKER N°	TT N°	BODY N°	CONTROL PLATE
72033	SAB.2033	2851	HSK.2.431
72034	SAB.2034	2852	HSK.2.431
70891	SAB.0891	2752	HSK.2.865
70919	SAB.0919	2752	HSK.2.860

LEYLAND



MAKER N°	TT N°	BODY N°	CONTROL PLATE
70511	SAB.0511	2760	HSK.2.405
70512	SAB.0512	2761	HSK.2.405
70624	SAB.0624	2922	HSK.2.433
70626	SAB.0626	2771	HSK.2.433
70627	SAB.0627	2772	HSK.2.434
70943	SAB.0943	2771	HSK.2.971
70944	SAB.0944	2772	HSK.2.971
72105	SAB.2105	2755	HSK.2.936
72106	SAB.2106	2756	HSK.2.936
72195	SAB.2195	2752	HSK.2.405
72401	SAB.2401	4034	HSK.2.491
72402	SAB.2402	4033	HSK.2.491
72403	SAB.2403	4034	HSK.2.491
72404	SAB.2404	4033	HSK.2.491
72406	SAB.2406	2752	HSK.2.775
72420	SAB.2420	2771	HSK.2.594
72440	SAB.2440	2772	HSK.2.485
72433	SAB.2433	2772	HSK.2.483
72439	SAB.2439	2771	HSK.2.485



METRO CAMMELL



MAKER N°	TT N°	BODY N°	CONTROL PLATE
70893	SAB.0893	2760	HSK.2.427
70894	SAB.0894	2761	HSK.2.427

METROBUS



MAKER N°	TT N°	BODY N°	CONTROL PLATE
72361	SAB.2361	2752	HSK.2.990

MAN



MAKER N°	TT N°	BODY N°	CONTROL PLATE
70770	SAB.0770	3202	HSK.2.862
72158	SAB.2158	4027	HSK.2.995
72159	SAB.2159	4028	HSK.2.995
72351	SAB.2351	3522	HSK.2.885
72352	SAB.2352	3523	HSK.2.885
72459	SAB.2459	2753	HSK.2.900
72460	SAB.2460	2754	HSK.2.900
72515	SAB.2515	3226	HSK.2.866
72928	SAB.2928	2752	HSK.2.164
72967	SAB.2967	2752	HSK.2.480
72978	SAB.2978	4028	HSK.2.688
72979	SAB.2979	4027	HSK.2.688
72980	SAB.2980	2752	HSK.2.599
72981	SAB.2981	4045	HSK.2.768
72982	SAB.2982	4044	HSK.2.768
72987	SAB.2987	3522	HSK.2.788
72988	SAB.2988	3523	HSK.2.788
72989	SAB.2989	2752	HSK.2.689
72990	SAB.2990	4045	HSK.2.512
72991	SAB.2991	4044	HSK.2.512
79056	SAB.9056	2752	HSK.2.410
79208	SAB.9208	3185	HSK.2.565
79209	SAB.9209	3186	HSK.2.565
79210	SAB.9210	4044	HSK.2.785
79211	SAB.9211	4045	HSK.2.785
79212	SAB.9212	3177	HSK.2.566
79223	SAB.9223	3070	HSK.2.564
79224	SAB.9224	3071	HSK.2.564



NEOPLAN



MAKER N°	TT N°	BODY N°	CONTROL PLATE
72177	SAB.2177	3202	HSK.2.295
72688	SAB.2688	3878	HSK.2.475
72689	SAB.2689	3879	HSK.2.475
72931	SAB.2931	4016	HSK.2.778
72932	SAB.2932	4017	HSK.2.778



RVI



MAKER N°	TT N°	BODY N°	CONTROL PLATE
70542	SAB.0542	2853	HSK.2.402
70543	SAB.0543	2854	HSK.2.402
70544	SAB.0544	2851	HSK.2.402
70545	SAB.0545	2852	HSK.2.402
70710	SAB.0710	3156	HSK.2.402
70711	SAB.0711	3157	HSK.2.402
70712	SAB.0712	2753	HSK.2.418
70713	SAB.0713	2754	HSK.2.418
70975	SAB.0975	2851	HSK.2.413
70976	SAB.0976	2852	HSK.2.413
72740	SAB.2740	2761	HSK.2.489
72741	SAB.2741	2760	HSK.2.489
72796	SAB.2796	3717	HSK.2.707
72797	SAB.2797	3718	HSK.2.707
72798	SAB.2798	3717	HSK.2.696
72799	SAB.2799	3718	HSK.2.696
72813	SAB.2813	3717	HSK.2.707
72814	SAB.2814	3718	HSK.2.707
72835	SAB.2835	2760	HSK.2.372
72836	SAB.2836	2761	HSK.2.372
72840	SAB.2840	2752	HSK.2.719
72993	SAB.2993	3717	HSK.2.627
72994	SAB.2994	3718	HSK.2.627
79000	SAB.9000	2760	HSK.2.627
79001	SAB.9001	2761	HSK.2.627
79007	SAB.9007	4008	HSK.2.981
79008	SAB.9008	4009	HSK.2.981
79009	SAB.9009	4008	HSK.2.283



RVI



MAKER N°	TT N°	BODY N°	CONTROL PLATE
79010	SAB.9010	4009	HSK.2.283
79011	SAB.9011	2752	HSK.2.899
79012	SAB.9012	2752	HSK.2.900
79013	SAB.9013	4008	HSK.2.374
79014	SAB.9014	4009	HSK.2.374
79015	SAB.9015	4008	HSK.2.992
79016	SAB.9016	4009	HSK.2.992
79017	SAB.9017	2761	HSK.2.372
79018	SAB.9018	2760	HSK.2.372
79019	SAB.9019	2752	HSK.2.573
79020	SAB.9020	4008	HSK.2.579
79021	SAB.9021	4009	HSK.2.579
79075	SAB.9075	3717	HSK.2.812
79076	SAB.9076	3718	HSK.2.812
79288	SAB.9288	4095	HSK.2.489
79289	SAB.9289	4094	HSK.2.489
79299	SAB.9299	2760	HSK.2.372
79300	SAB.9300	2761	HSK.2.372
79301	SAB.9301	4008	HSK.2.716
79302	SAB.9302	4009	HSK.2.716
79304	SAB.9304	4094	HSK.2.573
79305	SAB.9305	4095	HSK.2.573
79310	SAB.9310	3717	HSK.2.812
79311	SAB.9311	3718	HSK.2.812
79465	SAB.9465	2760	HSK.2.573
79466	SAB.9466	2761	HSK.2.573

SCANIA



MAKER N°	TT N°	BODY N°	CONTROL PLATE
70864	SAB.0864	3226	HSK.2.453
72236	SAB.2236	2772	HSK.2.390
72237	SAB.2237	2771	HSK.2.390
72247	SAB.2247	4040	HSK.2.366
72248	SAB.2248	4041	HSK.2.367
72486	SAB.2486	3705	HSK.2.502
72487	SAB.2487	3704	HSK.2.501
72579	SAB.2579	2771	HSK.2.390
72580	SAB.2580	2772	HSK.2.390
72654	SAB.2654	2752	HSK.2.230
72655	SAB.2655	2894	HSK.2.754
72656	SAB.2656	2895	HSK.2.754
72660	SAB.2660	3662	HSK.2.230
72661	SAB.2661	3663	HSK.2.230
72662	SAB.2662	3226	HSK.2.230
72663	SAB.2663	3705	HSK.2.228
72664	SAB.2664	3704	HSK.2.229
72665	SAB.2665	3704	HSK.2.232
72666	SAB.2666	3705	HSK.2.232
72727	SAB.2727	2771	HSK.2.390
72728	SAB.2728	2772	HSK.2.390
72729	SAB.2729	3884	HSK.2.499



SCANIA



MAKER N°	TT N°	BODY N°	CONTROL PLATE
72730	SAB.2730	3883	HSK.2.499
72746	SAB.2746	2772	HSK.2.758
72747	SAB.2747	2771	HSK.2.758
72807	SAB.2807	3049	HSK.2.878
72808	SAB.2808	3050	HSK.2.878
72825	SAB.2825	4040	HSK.2.234
72826	SAB.2826	4041	HSK.2.235
72886	SAB.2886	4077	HSK.2.618
72887	SAB.2887	4078	HSK.2.618
72949	SAB.2949	3662	HSK.2.455
72950	SAB.2950	3663	HSK.2.455
72951	SAB.2951	3705	HSK.2.185
72952	SAB.2952	3704	HSK.2.185
72962	SAB.2962	2752	HSK.2.453
79033	SAB.9033	4083	HSK.2.235
79034	SAB.9034	4084	HSK.2.235
79086	SAB.9086	3884	HSK.2.803
79087	SAB.9087	3883	HSK.2.803
79105	SAB.9105	3049	HSK.2.878
79106	SAB.9106	3050	HSK.2.878
79442	SAB.9442	4083	HSK.2.235
79443	SAB.9443	4084	HSK.2.235

PEGASO



MAKER N°	TT N°	BODY N°	CONTROL PLATE
72315	SAB.2315	2752	HSK.2.376
72408	SAB.2408	2752	HSK.2.376

VAN HOOL



MAKER N°	TT N°	BODY N°	CONTROL PLATE
70809	SAB.0809	2752	HSK.2.867
70810	SAB.0810	2752	HSK.2.865
70905	SAB.0905	2752	HSK.2.900
79094	SAB.9094	2755	HSK.2.778
79095	SAB.9095	2756	HSK.2.778

VOLVO



MAKER N°	TT N°	BODY N°	CONTROL PLATE
70738	SAB.0738	2765	HSK.2.404
70739	SAB.0739	2766	HSK.2.404
70740	SAB.0740	2752	HSK.2.404
70913	SAB.0913	2766	HSK.2.402
70914	SAB.0914	2765	HSK.2.402
70977	SAB.0977	2760	HSK.2.456
70978	SAB.0978	2761	HSK.2.456
72026	SAB.2026	2752	HSK.2.983
72457	SAB.2457	2752	HSK.2.427
72667	SAB.2667	2752	HSK.2.966
72668	SAB.2668	2987	HSK.2.444
72669	SAB.2669	2985	HSK.2.444
72670	SAB.2670	2987	HSK.2.444
72671	SAB.2671	2985	HSK.2.444
72672	SAB.2672	2766	HSK.2.402
72673	SAB.2673	2765	HSK.2.402
72674	SAB.2674	2754	HSK.2.402
72675	SAB.2675	2753	HSK.2.402
72676	SAB.2676	2752	HSK.2.983
72678	SAB.2678	2752	HSK.2.472
72713	SAB.2713	2766	HSK.2.447
72714	SAB.2714	2765	HSK.2.447
72715	SAB.2715	2753	HSK.2.920
72716	SAB.2716	2754	HSK.2.920
72717	SAB.2717	2766	HSK.2.402
72718	SAB.2718	2765	HSK.2.402
72719	SAB.2719	2754	HSK.2.419
72720	SAB.2720	2753	HSK.2.419
72721	SAB.2721	2766	HSK.2.921
72722	SAB.2722	2765	HSK.2.921
72723	SAB.2723	3861	HSK.2.448
72724	SAB.2724	3860	HSK.2.448

VOLVO



MAKER N°	TT N°	BODY N°	CONTROL PLATE
72725	SAB.2725	2752	HSK.2.402
72726	SAB.2726	2752	HSK.2.472
72783	SAB.2783	3860	HSK.2.448
72782	SAB.2782	3861	HSK.2.448
72784	SAB.2784	4039	HSK.2.448
72785	SAB.2785	4038	HSK.2.448

WABCO



MAKER N°	TT N°	BODY N°	CONTROL PLATE
433.543.516.0	T.13.07.001	05.174.74.84.0	BPW
433.543.517.0	T.13.07.002	05.174.74.85.0	BPW
433.576.502.0	T.13.06.001	387.420.02.38	DAI
433.576.503.0	T.13.06.002	387.420.03.38	DAI
433.576.708.0	T.13.06.003	621.420.01.38	DAI
433.576.709.0	T.13.06.004	658.420.02.38	DAI
433.576.724.0	T.13.06.005	658.420.02.38	DAI
433.576.725.0	T.13.06.006	658.420.03.38	DAI

BPW BERGISHE ACHSEN



MAKER N°	TT N°	BODY N°	CONTROL PLATE	Adjuster set per axle
72254	SAB.2254	4032	HSK.2.298	SAB.9023.KIT
72703	SAB.2703	4076	HSK.2.970	SAB.2875.KIT
72875	SAB.2875	4076	HSK.2.616	SAB.2875.KIT
72876	SAB.2876	4076	HSK.2.617	SAB.2876.KIT

FRUEHAUF



MAKER N°	TT N°	BODY N°	CONTROL PLATE	Adjuster set per axle
72266	SAB.2266	4032	HSK.2.298	SAB.9022.KIT

KAISER



MAKER N°	TT N°	BODY N°	CONTROL PLATE	Adjuster set per axle
79146	SAB.9146	2771	HSK.2.148	SAB.2758.KIT
79147	SAB.9147	2772	HSK.2.148	SAB.2758.KIT

KASSBORHRER



MAKER N°	TT N°	BODY N°	CONTROL PLATE	Adjuster set per axle
72252	SAB.2252	4032	HSK.2.419	SAB.2758.KIT
72416	SAB.2416	4032	HSK.2.590	SAB.2758.KIT
72758	SAB.2758	4076	HSK.2.419	SAB.2758.KIT



SAF (SAUER ACHSEN FABRIEK)



MAKER N°	TT N°	BODY N°	CONTROL PLATE	Adjuster set per axle
72250	SAB.2250	4032	HSK.2.570	SAB.2948.KIT
72270	SAB.2270	4032	HSK.2.570	SAB.2948.KIT
72581	SAB.2581	4032	HSK.2.570	SAB.2948.KIT
72948	SAB.2948	4032	HSK.2.635	SAB.2948.KIT
79005	SAB.9005	4076	HSK.2.635	SAB.9005.KIT



SMB (SOCIETE MECANIQUE DE BERNON)



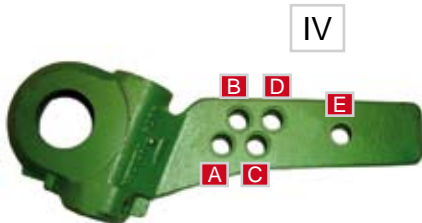
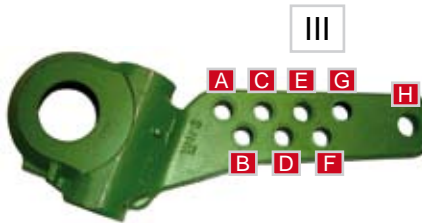
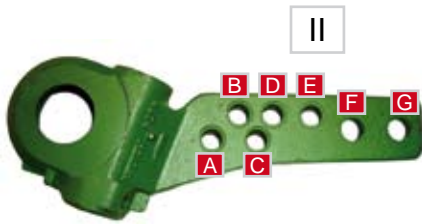
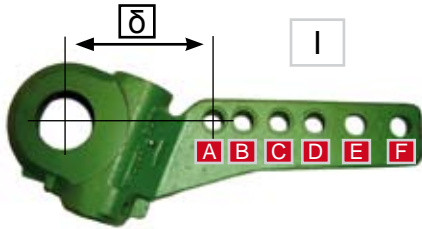
MAKER N°	TT N°	BODY N°	CONTROL PLATE
79004	SAB.9004	4032	HSK.2.635
79022	SAB.9022	4032	HSK.2.635
79023	SAB.9023	4032	HSK.2.635

ROR (RUBERY OWEN ROCKWELL)



MAKER N°	TT N°	BODY N°	CONTROL PLATE	ADJUSTER SET PER AXLE
72261	SAB.2261	4032	HSK.2.298	SAB.9023.KIT
72788	SAB.2788	41076	HSK.2.808	SAB.2788.KIT / MEI
79183	SAB.9183	4076	HSK.2.261	SAB.9005.KIT

AUTOMATIC SLACK ADJUSTER KITS FOR TRAILERS



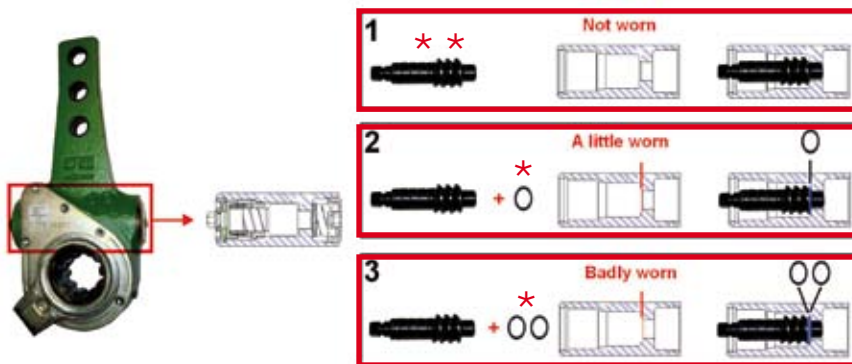
Body Type	Holes	A	B	C	D	E	F	G	H
I	\varnothing (mm)	19	19	19	19	16	16	-	-
	$\bar{\delta}$ (mm)	105	127	153	181	212	250	-	-
	Bushes (\varnothing 19*14)	✓	✓	✓	✓	-	-	-	-
II	\varnothing (mm)	19	19	19	19	19	16	16	-
	$\bar{\delta}$ (mm)	105	127	140	151	179	212	250	-
	Bushes (\varnothing 19*14)	✓	✓	✓	✓	✓	-	-	-
III	\varnothing (mm)	19	19	19	19	19	19	19	16
	$\bar{\delta}$ (mm)	105	120	135	150	165	180	195	250
	Bushes (\varnothing 19*14)	✓	✓	✓	✓	✓	✓	✓	-
IV	\varnothing (mm)	19	19	19	19	19	-	-	-
	$\bar{\delta}$ (mm)	114	127	140	152	205	-	-	-
	Bushes (\varnothing 19*14)	✓	✓	✓	✓	✓	-	-	-

OLD ADJUSTER N°	TSS KIT N°	TT KIT N°	BODY
72250	72948D	SAB.2948.KIT	I
72254	79023D	SAB.9023.KIT	I
72758	-	SAB.2758.KIT	III
72266	79022D	SAB.9022.KIT	I
72261	79004D	SAB.9023.KIT	I
72274	79004D	SAB.9023.KIT	I
72702	79005D	SAB.9005.KIT	II
72703	72875D	SAB.2875.KIT	III
72763	72876D	SAB.2876.KIT	III
72581	79035D	SAB.9023.KIT	I
72788	72788D	SAB.2788.KIT	IV



Fitting kits will include bolts & screws to allow fitment to ROR – BPW – SAF backplates.

HSK.1.3S



• Due to continuous movement of the **Worm Screw (**)**, wearing of the body is inevitable.

• The free movement allowed is "**0.015 mm - 0.060 mm**".


• When out of tolerance, use the **SHIMS (*)** provided to reduce this free movement .


TSK.12



GREASE

1 Kg

CONTROL ARMS	DESCRIPTION
 <p>X 10</p>	<p>TT sell in kits of 10 : HSK.2.X X = Control Arm Number Complete range available !</p>

SPLINES	TYPE	APPLICATION	TT KIT N°
	8 splines	Fiat - Iveco (old)	HSK.1.4B
	10 splines	Daf - Volvo - Scania - Pegaso	HSK.1.4A
	19 splines	Man-Mercedes(old)-ZF axles	HSK.1.4C
	20 splines	Man (old)-Kässbohrer axles	HSK.1.4D
	26 splines	Man-Mercedes recent	HSK.1.4F
	27 splines	R.V.I. - S.A.E.	HSK.1.4E
	28 splines	Rockwell, Seddon Atkinson (1½")	HSK.1.4H
	36 splines	Rockwell-RVI-Mack (1¼")	HSK.1.4I
	37 splines	Fruehauf Propar (SAE J498C)	HSK.1.4G
37 splines	Kässbohrer (36x40 D5481)	HSK.1.4K	



Z CAM REPAIR KITS

TT PART N°	OR KIT N°	MAKER	DESCRIPTION	APPLICATION
TSK.4.1	3097099	VOLVO	R/KIT-PITCH-LEFT-(Z-CAM)	Z-CAM
TSK.4.2	8550977	VOLVO	R/KIT-PITCH-RIGHT-(Z-CAM)	Z-CAM
TSK.4.3	272906	VOLVO	R/KIT-ADJUSTING-LEFT-(Z-CAM)	Z-CAM-
TSK.4.4	272907	VOLVO	R/KIT-ADJUSTING-RIGHT-(Z-CAM)	Z-CAM
TSK.4.5	3090954	VOLVO	R/KIT-DUST-COVER-(Z-CAM)	Z-CAM
TSK.4.6	1696453	VOLVO	R/KIT-SHAFT-(Z-CAM)	Z-CAM
TSK.4.7	272905	VOLVO	R/KIT GASKET & SEALS	Z-CAM
TSK.4.9	-	-	R/KIT GASKET & SEALS	Z-CAM



TSK.4.1



TSK.4.5



TSK.4.2



TSK.4.6



TSK.4.3



TSK.4.7



TSK.4.4

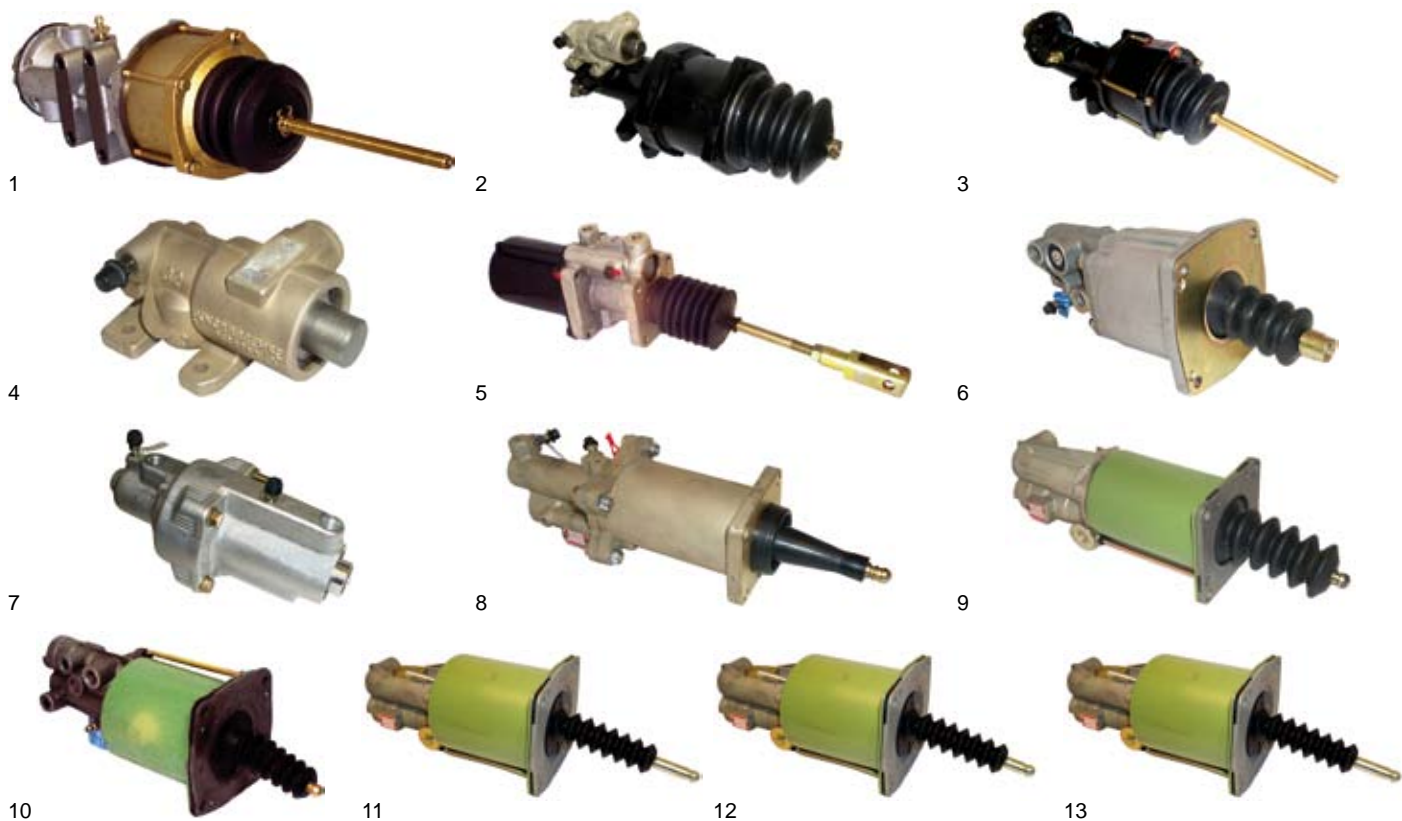


TSK.4.9





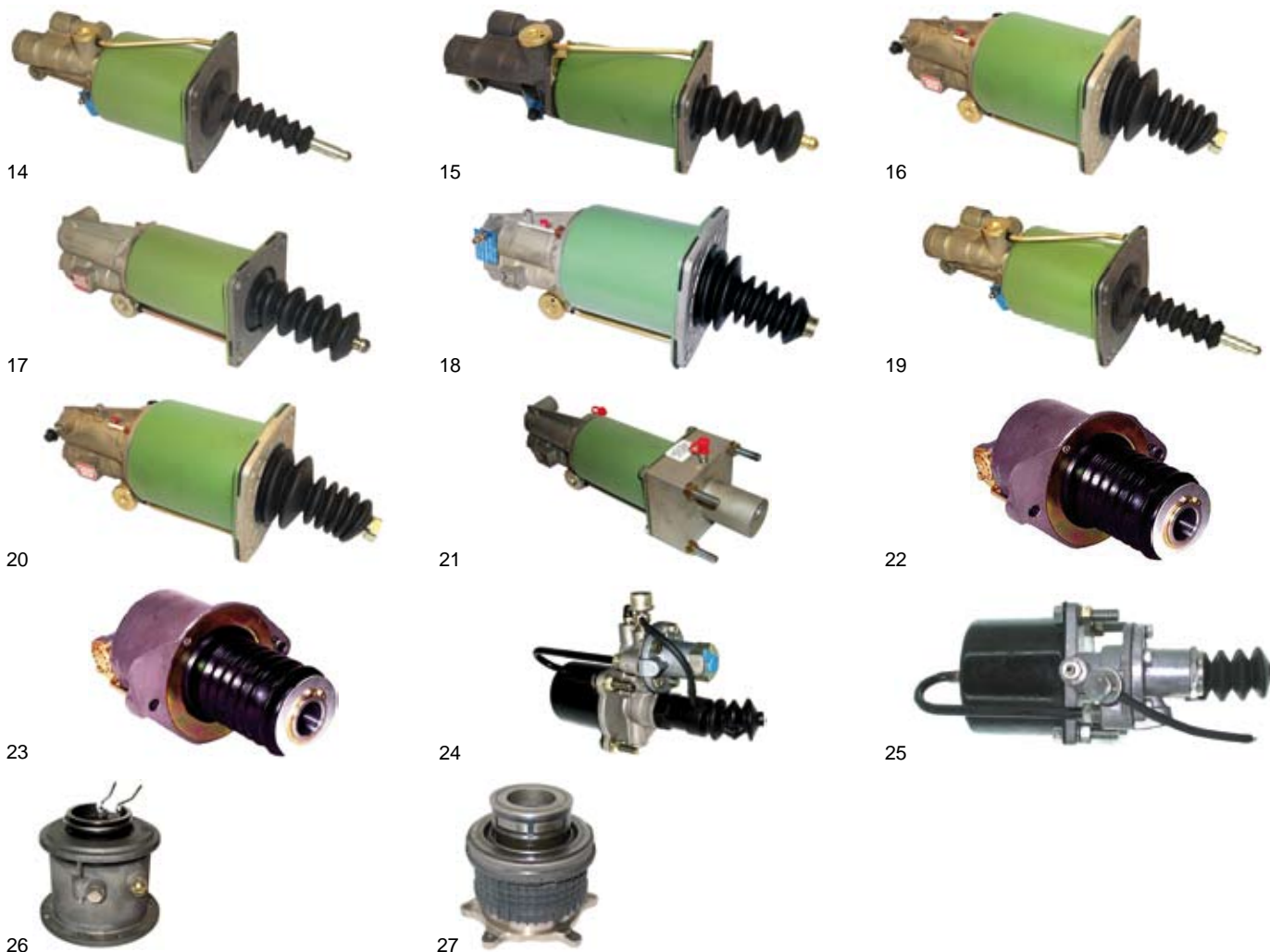
BENDITALIA - CLAYTON - DIMETAL - GRAU - KNORR - JIDOSHA - SACHS



	NUMBER	OEM N°	OEM	REPAIR KIT N°
1	1408824	61596333	IVECO	BISK.2
2	1424371	98438178	IVECO	BISK.3.C
2	1420362	4761467	IVECO	BISK.3.C
3	1407023	4652888	IVECO	BISK.1
3	1409284	4724664	IVECO	BISK.2
3	1422762	4814556	IVECO	BISK.3.C
4	1423079	8190746	IVECO	BISK.3.C.3
4	APGA.1613	1573173	VOLVO	CDSK.6
5	APGA.1605	13H6616	LEYLAND	CDSK.6
6	APGA.1626	635256	DAF	CDSK.6
6	460.806.7	772840	PEGASO	DSK.28.1D
6	460.806.8	5430000717	RVI	DSK.28.1D
7	321.019.001	000.295.27.18	D.BENZ	GSK.28.1
7	321.023.001	000.295.34.18	D.BENZ	GSK.28.1
8	VG.3156	81.30725.6025	MAN	KSK.28
8	VG.3200	81.30725.6027	MAN	KSK.28.1
9	VG.3204	42063552	IVECO	KSK.28.1
10	VG.3208	81.30725.6032	MAN	KSK.28.2
11	VG.3215	81.30725.6049	MAN	KSK.28.2
11	VG.3227	98451643	IVECO	KSK.28.2
12	VG.3228	81.30725.6056	MAN	KSK.28.2
13	VG.3229	81.307.256.054	MAN	KSK.28.2



BENDITALIA - CLAYTON - DIMETAL - GRAU - KNORR - JIDOSHA - SACHS



	NUMBER	OEM N°	OEM	REPAIR KIT N°
14	VG.3261	81.30725.6086	MAN	KSK.28.2
15	VG.3262	81.30725.6069	MAN	KSK.28.1
16	VG.3264	98438178	IVECO	KSK.28.6
17	VG.3267	407609-5	ERF	KSK.28.1
18	VG.3269	41035502	IVECO	KSK.28.6
19	VG.3276	5006001558	IRISBUS	KSK.28.2
20	VG.3288	41035646	IVECO	KSK.28.6
21	VG.3304	99436482	IVECO	KSK.28.1
22	VG.3361	000.295.09.18	D.BENZ	KSK.28.3C
23	VG.3364	99449073	IVECO	KSK.28.3C
24	642.01608 (70 mm)	-	HINO / HYUNDAI / MITSUBISHI / NISSAN	JSK.28.1
24	642.03080 (70 mm)	-	HINO / HYUNDAI / MITSUBISHI / NISSAN	JSK.28.1
25	642.03105 (105mm)	-	HINO / HYUNDAI / MITSUBISHI / NISSAN	JSK.28.2
25	642.03502 (90 mm)	-	HINO / HYUNDAI / MITSUBISHI / NISSAN	JSK.28
26	1434649	3.182.009.938	SCANIA	-
27	50 3182003 10	12.504.315	D.BENZ	-



KONGSBERG APPLICATIONS TABLE - sorted by original N°

NUMBER	OEM N°	OEM	REPAIR KIT N°
622045	1069205	VOLVO	TSK.25.26
622060	1521371	VOLVO	TSK.25.18
622070	1668501	VOLVO	TSK.25.18
622080	267321	VOLVO	TSK.25
622080	1526523	VOLVO	TSK.25
622090	1655435	VOLVO	TSK.25.8
622107	360717	SCANIA	TSK.25.6
622108	371612	SCANIA	TSK.25.7
622109	360719	SCANIA	TSK.25.6
622110	360720	SCANIA	TSK.25.6
622190	374116	SCANIA	TSK.25.15
622199	1331770	SCANIA	TSK.25.15
622206	5000673435	RVI	TSK.25.7
622402	81.30725.6051	MAN	TSK.25.7
622403	81.30725.6026	MAN	TSK.25.2
622500	286295	DAF	TSK.25.2
622501	377009	DAF	TSK.25.2
622502	175-201-1622	SISU	TSK.25.2
622503	106263-9	ERF	TSK.25.2
622504	ACU8944	LEYLAND	TSK.25.2
622508	1241257	DAF	TSK.25.7
624199	1337966	SCANIA	TSK.25.15
624410	520138	PREVOST	TSK.25.2
624445	5010244209	RVI	TSK.25.22
624652	ACHG662	LEYLAND	TSK.25.2
625067	1287798	DAF	TSK.25.21
625111	1287876	DAF	TSK.25.21
625290	AXU0132	LEYLAND	TSK.25.2
625291	AXU0133	LEYLAND	TSK.25.7
625359	1421186	SCANIA	TSK.25.1
625375	000.254.00.47	DAIMLER	TSK.25.28
625384	5010244208	RVI	TSK.25.2
625385	5010244223	RVI	TSK.25.7
625436	81.30725.6074	MAN	TSK.25.20
625524	5010244224	RVI	TSK.25.22
625559	1-31800-404-0	ISUZU	NO KIT
625586	81.30725.6053	MAN	TSK.25.20
625671	42-00215-000	FODEN	TSK.25.21
625810	1305114	DAF	TSK.25.21
626104	ACHG664	LEYLAND	TSK.25.2
626119	1672129	VOLVO	TSK.25.20



KONGSBERG APPLICATIONS TABLE - sorted by original N°

NUMBER	OEM N°	OEM	REPAIR KIT N°
626162	5010244402	RVI	TSK.25.17
626392	1655639	VOLVO	TSK.25.16
626392	1673067	VOLVO	TSK.25.16
626397	42-00249-000	FODEN	TSK.25.2
626397	ACHC450	LEYLAND	TSK.25.2
626400	1327940	DAF	TSK.25.7
626580	1330770	DAF	TSK.25.21
626639	1671953	VOLVO	TSK.25.26
626642	1337007	DAF	TSK.25.2
626693	403778-3	ERF	TSK.25.2
626708	1340024	DAF	TSK.25.2
626783	1346863	DAF	TSK.25.21
626784	1346864	DAF	TSK.25.21
626785	1346865	DAF	TSK.25.19
626786	1346866	DAF	TSK.25.19
626853	5010245752	RVI	TSK.25.2
626869	1349889	DAF	TSK.25.21
626871	1349890	DAF	TSK.25.21
627026	41700.6A700	HYUNDAI	NO KIT
627049	41700.8A300	HYUNDAI	NO KIT
627052	81.30725.6092	MAN	TSK.25.29
627208	3192126	VOLVO	TSK.25.20
627479	41700.7F500	HYUNDAI	NO KIT
627497	ATRA498	LEYLAND	TSK.25.2
627498	ATRA460	LEYLAND	TSK.25.2
627499	ATRA462	LEYLAND	TSK.25.2
627579	1392204	DAF	TSK.25.21
627589	1392205	DAF	TSK.25.21
627612	5010244209	RVI	TSK.25.22
627626	42-00289-000	FODEN	TSK.25.2
627667	1397121	DAF	TSK.25.21
627668	1397120	DAF	TSK.25.21
627669	1395608	DAF	TSK.25.21
627692	1469161	SCANIA	TSK.25.27
627803	8171720	VOLVO	TSK.25.20
627804	8171721	VOLVO	TSK.25.20
627805	8171700	VOLVO	TSK.25.20
627946	1523399	SCANIA	TSK.25.35
628027	81.30725.6093	MAN	TSK.25.20
628036	1438606	BOVA	TSK.25.21
628258	1443523	DAF	TSK.25.21



KONGSBERG APPLICATIONS TABLE - sorted by original N°

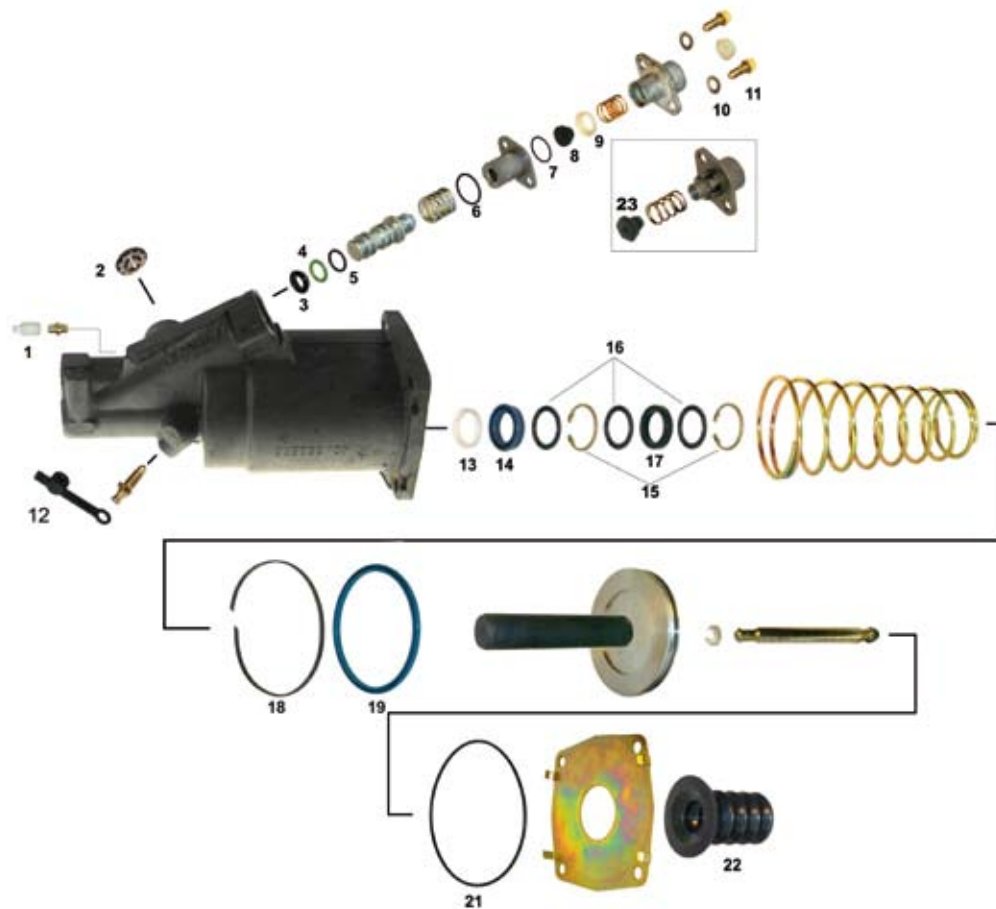
NUMBER	OEM N°	OEM	REPAIR KIT N°
628259	1443522	DAF	TSK.25.21
628260	1443524	DAF	TSK.25.21
628275	1443530	DAF	TSK.25.21
628276	1443520	DAF	TSK.25.19
628277	1443521	DAF	TSK.25.19
628446	1443532	DAF	TSK.25.21
628447	1443533	DAF	TSK.25.21
628448	1450047	DAF	TSK.25.21
628449	1443529	DAF	TSK.25.21
628450	1443531	DAF	TSK.25.21
628492	8171720	VOLVO	TSK.25.20
628493	8171721	VOLVO	TSK.25.20
628494	8171722	VOLVO	TSK.25.20
628554	1493461	SCANIA	-
628677	1601259	FODEN	TSK.25.21
629134	1617399	DAF	TSK.25.21
629135	1613228	DAF	TSK.25.21
629276	20524584	VOLVO	TSK.25.20
629277	20524585	VOLVO	TSK.25.20
629300	5010545581	RVI	TSK.25.22
629479	1619364	FODEN	TSK.25.2
629683	1513717	SCANIA	TSK.25.1
630361	81.30725.6107	MAN	TSK.25.29
630424	5010613951	RVI	-
630889	20812692	VOLVO	-
630992	1686154	DAF	TSK.25.19
631063	1692808	DAF	TSK.25.19
-	000.295.67.07	DAIMLER	TSK.28.3



KONGSBERG FOR DAF Ø 80

07.02.009 this part N°replaces all below

UNITS		REPAIR KIT		
KONGSBERG N°	OEM N°	KONGSBERG	OEM	TT
622500	286295	625218	1291857	TSK.25.2
622500	1241256	625218	1291857	TSK.25.2
626708	1340024	625218	1291857	TSK.25.2
626786	1346866	626788	1349064	TSK.25.19
628277	1443521	628304	1443525	TSK.25.19
622501	377009	625218	1291857	TSK.25.2
622501	1242616	625218	1291857	TSK.25.2
626642	1337007	625218	1291857	TSK.25.2
626785	1346865	626788	1349064	TSK.25.19
628276	1443520	628304	1443525	TSK.25.19



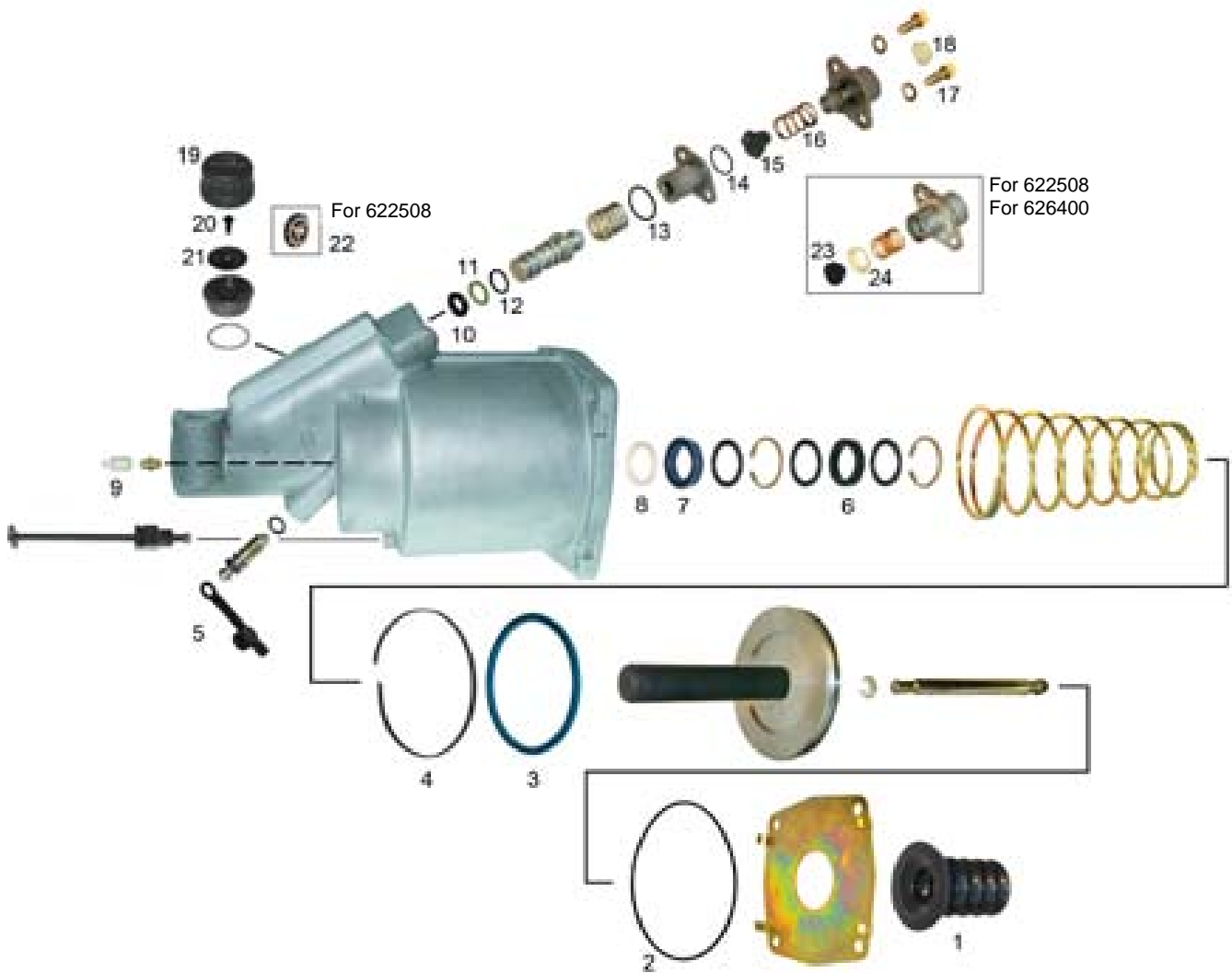
REPAIR KITS	DESCRIPTION	ITEMS IN KIT
TSK.25.19	R/KIT CLUTCH SERVO DAF	1 TO 7 AND 10 TO 21 , 23
TSK.25.2	R/KIT CLUTCH SERVO DAF	1 TO 22



KONGSBERG FOR DAF Ø 100

07.03.005 this part N° replaces all below

UNITS		REPAIR KIT		
KONGSBERG N°	OEM N°	KONGSBERG	OEM	TT
625111	1287876	626062	1311351	TSK.25.21
626580	1330770	626787	1348878	TSK.25.21
626784*	1346864	626787	1348878	TSK.25.21
628275	1443530	628305	1348878	TSK.25.21
622508*	1241257	625219	1291858	TSK.25.7
626400	1327940	625219	1291858	TSK.25.7
626783	1346863	628305	1348878	TSK.25.21
628450	1443531	628305	1443527	TSK.25.21
625810	1305114	628305	1443527	TSK.25.21
626869	1349889	628305	1443527	TSK.25.21
628447	1443533	628305	1443527 </td <td>TSK.25.21</td>	TSK.25.21



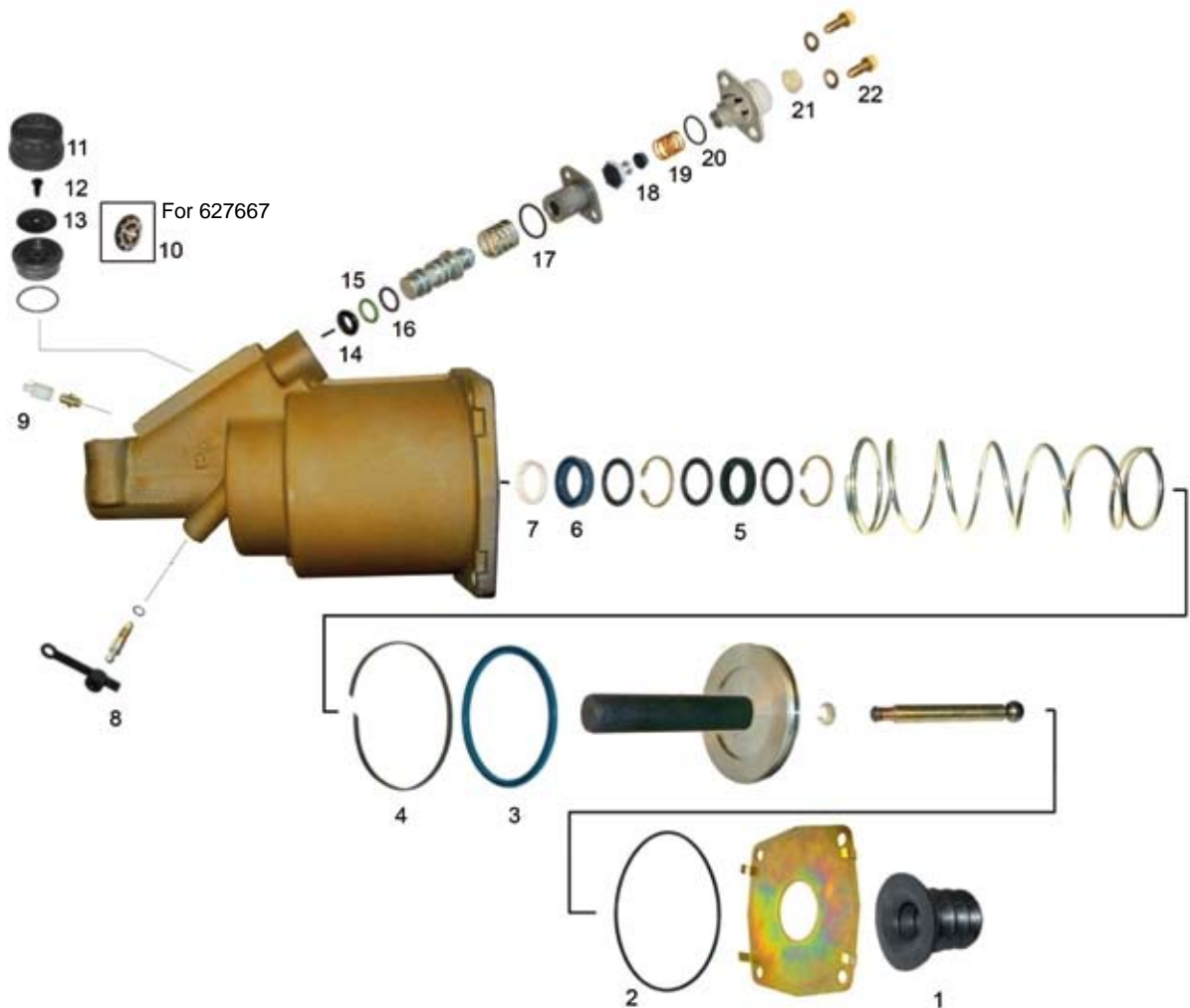
REPAIR KITS	DESCRIPTION	ITEMS IN KIT
TSK.25.7	R/KIT CL/S.	1 TO 14 , 16 TO 18 AND 22 TO 24
TSK.25.21	R/KIT CL/S.	1 TO 21



KONGSBERG FOR DAF Ø 100

07.03.081 this part N°replaces all below

UNITS		REPAIR KIT		
KONGSBERG N°	OEM N°	KONGSBERG	OEM	TT
627667	1397121	628305	1443527	TSK.25.21
628258	1443523	628305	1443527	TSK.25.21

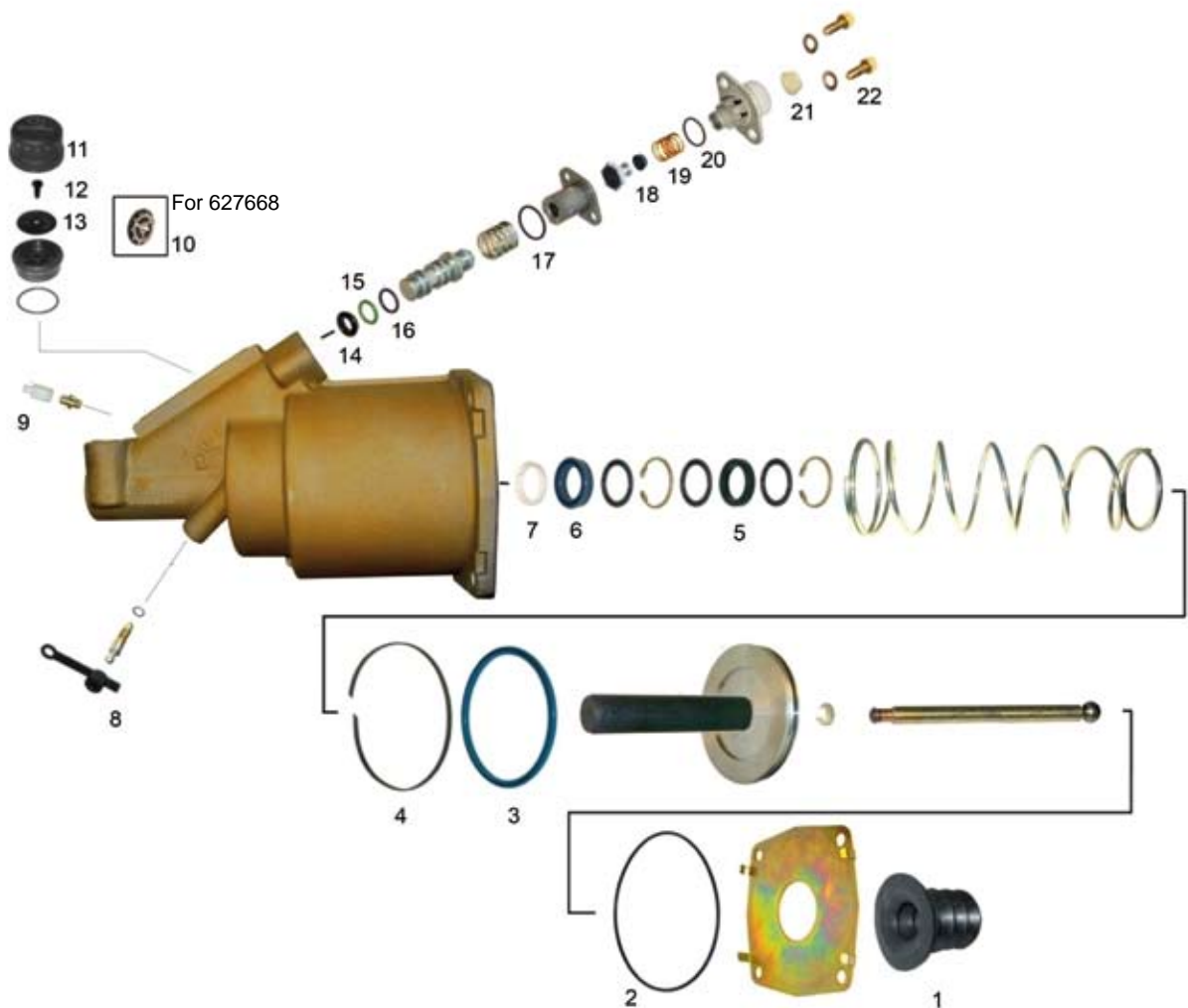


REPAIR KITS	DESCRIPTION	ITEMS IN KIT
TSK.25.21	R/KIT CL/S.DAF	1 TO 22

KONGSBERG FOR DAF Ø 100

07.03.051 this part N°replaces all below

UNITS		REPAIR KIT		
KONGSBERG N°	OEM N°	KONGSBERG	OEM	TT
627668	1397120	628305	1443527	TSK.25.21
628259	1443522	628305	1443527	TSK.25.21



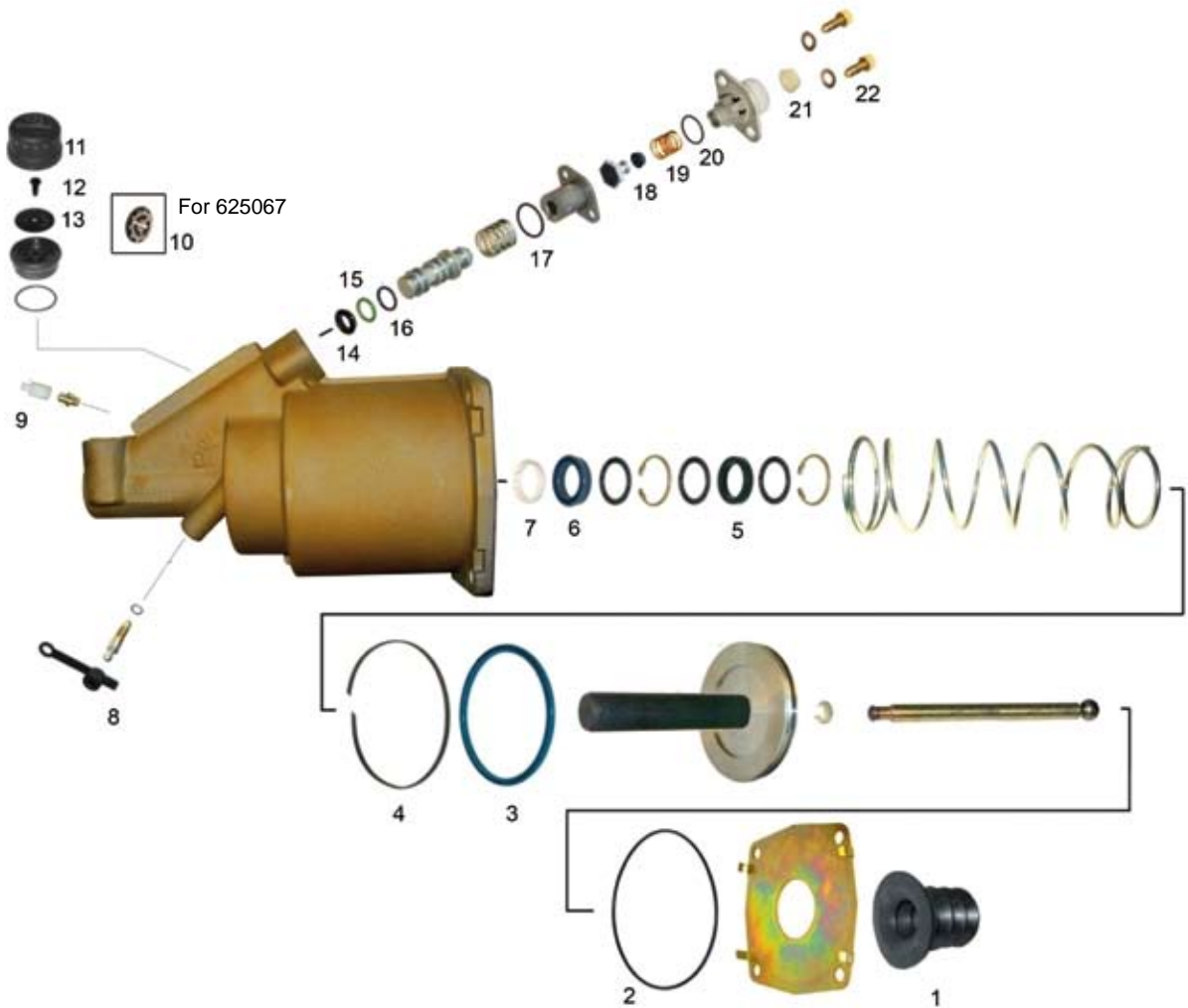
REPAIR KITS	DESCRIPTION	ITEMS IN KIT
TSK.25.21	R/KIT CL/S.DAF	1 TO 22



KONGSBERG FOR DAF Ø 100

07.03.021 this part N°replaces all below

UNITS		REPAIR KIT		
KONGSBERG N°	OEM N°	KONGSBERG	OEM	TT
625067	1287798	628305	1443527	TSK.25.21
626871	1349890	628305	1443527	TSK.25.21
628446	1443532	628305	1443527	TSK.25.21

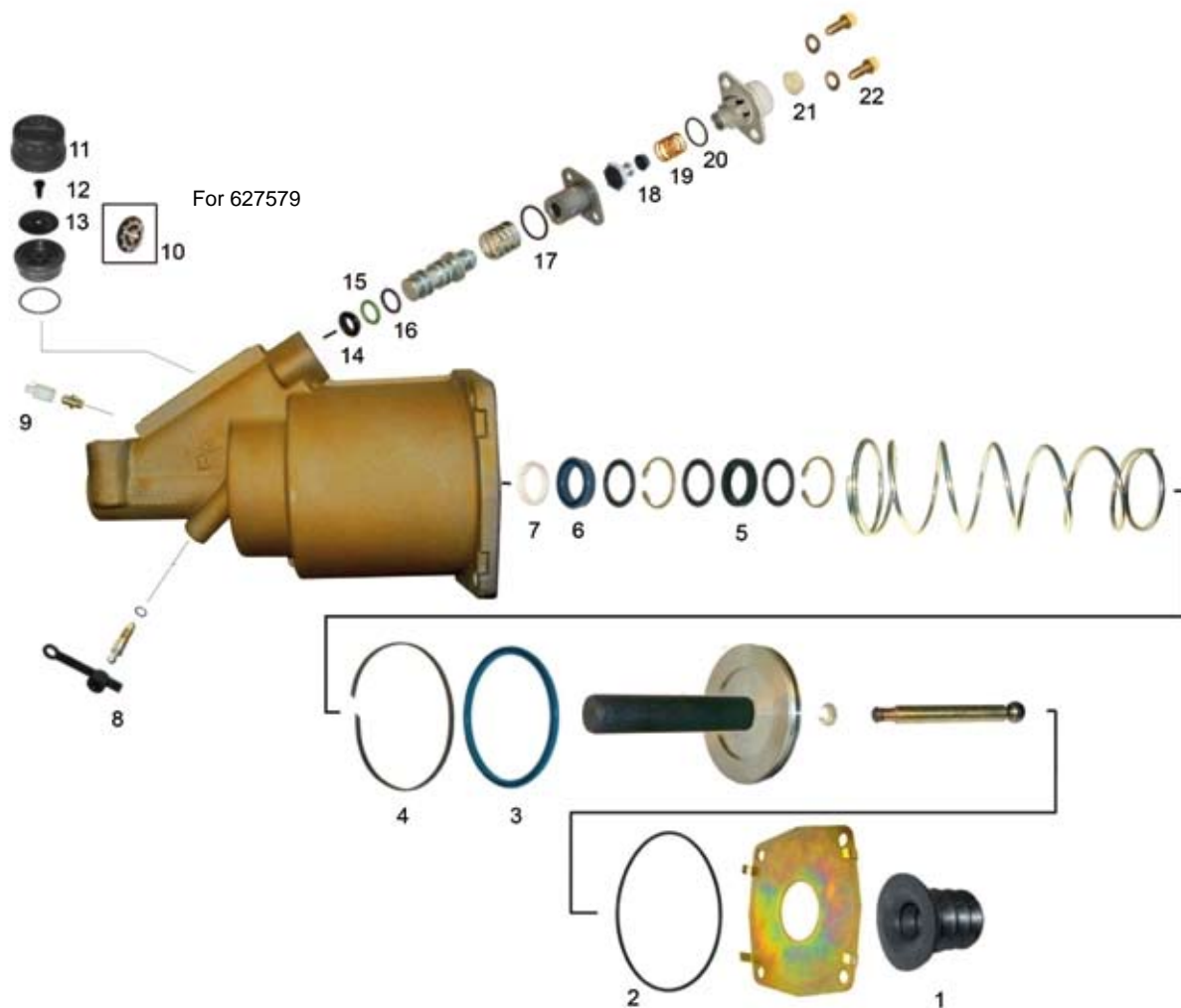


REPAIR KITS	DESCRIPTION	ITEMS IN KIT
TSK.25.21	R/KIT CL/S.DAF	1 TO 22

KONGSBERG FOR DAF Ø 100

07.03.024 this part N° replaces all below

UNITS		REPAIR KIT		
KONGSBERG N°	OEM N°	KONGSBERG	OEM	TT
627579	1392204	628305	1443527	TSK.25.21
628448	1450047	628305	1443527	TSK.25.21

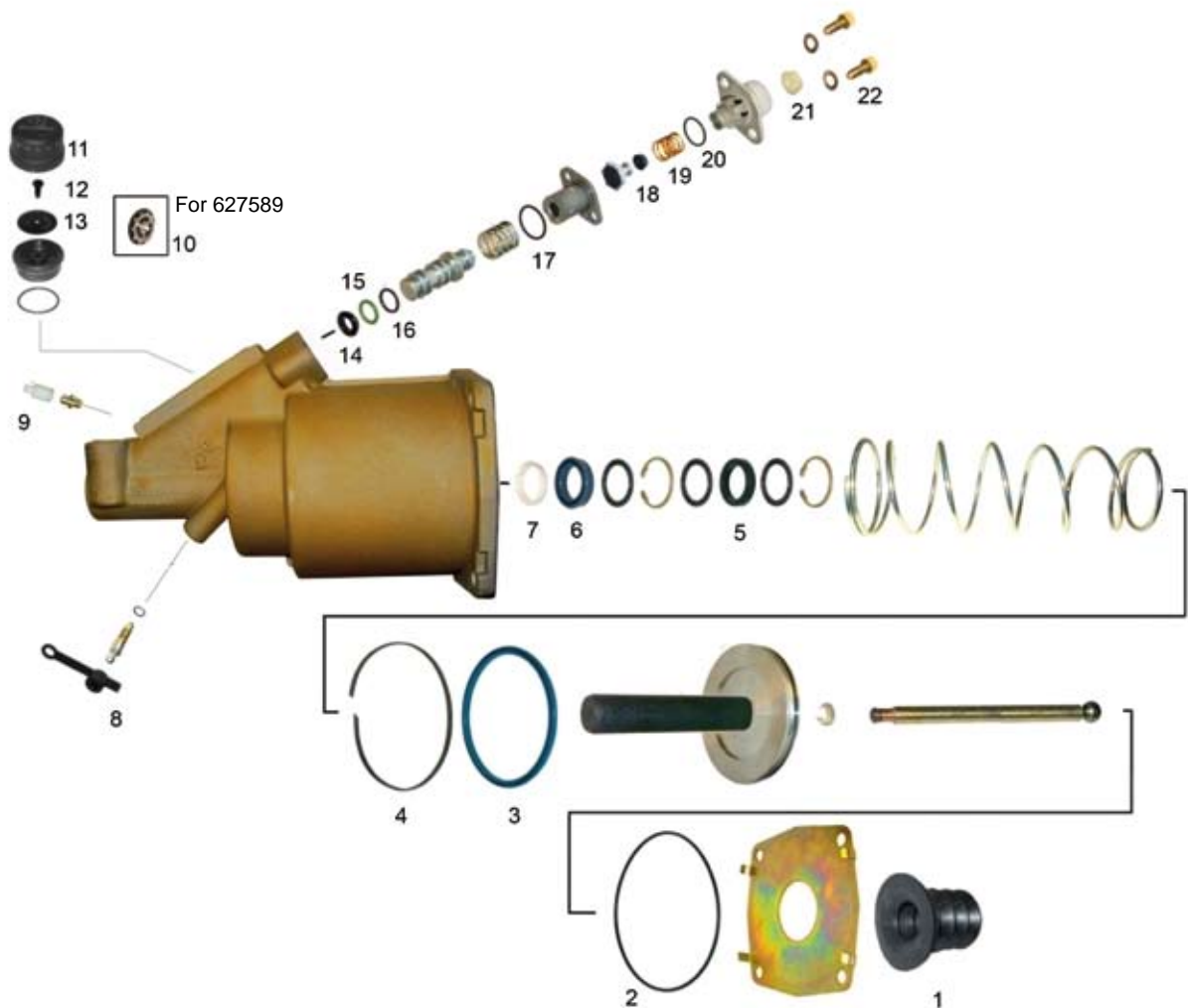


REPAIR KITS	DESCRIPTION	ITEMS IN KIT
TSK.25.21	R/KIT CL/S.DAF	1 TO 22

KONGSBERG FOR DAF Ø 100

07.03.082 this part N°replaces all below

UNITS		REPAIR KIT		
KONGSBERG N°	OEM N°	KONGSBERG	OEM	TT
627589	1392205	628305	1443527	TSK.25.21
628449	1443529	628305	1443527	TSK.25.21

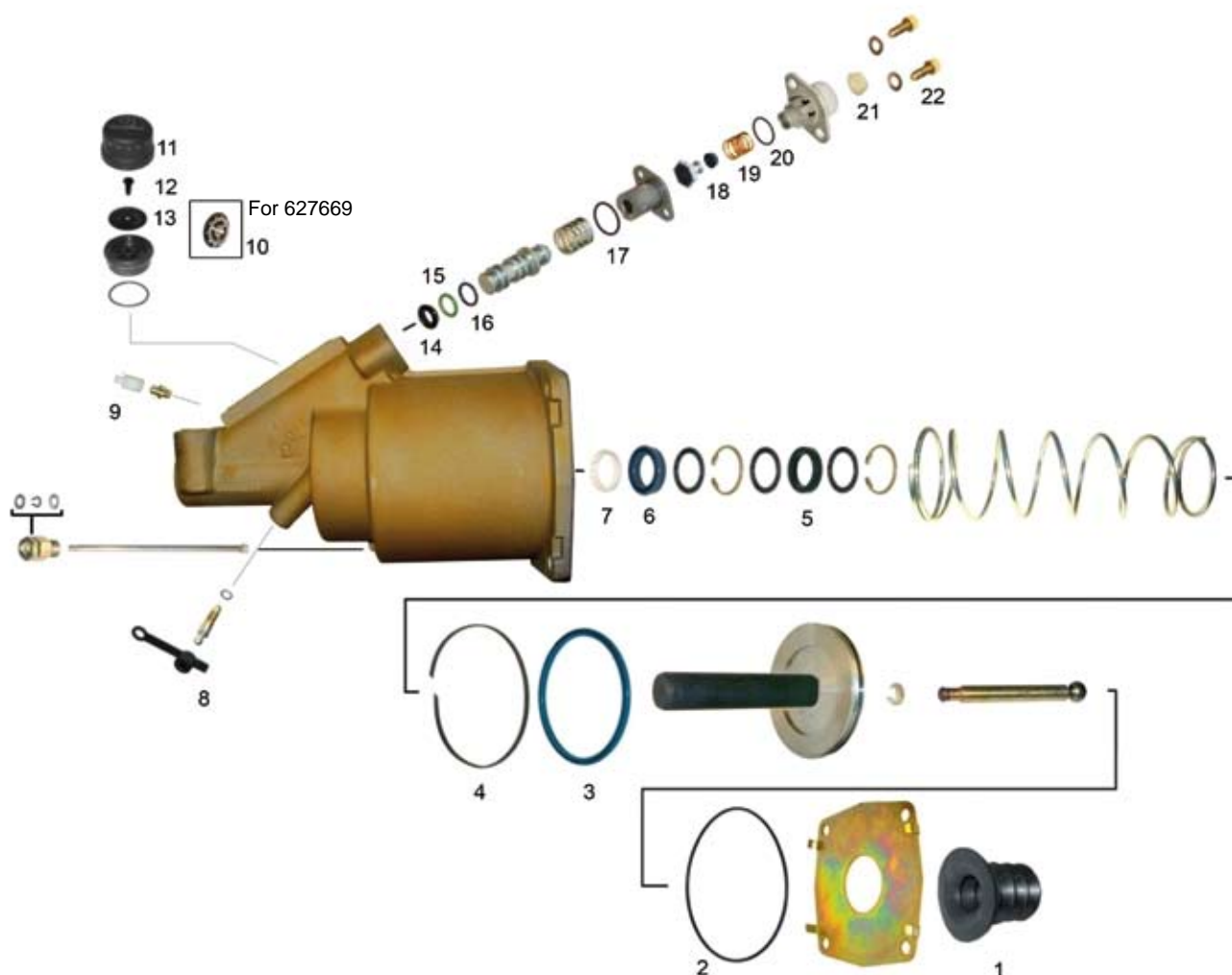


REPAIR KITS	DESCRIPTION	ITEMS IN KIT
TSK.25.21	R/KIT CL/S.DAF	1 TO 22

KONGSBERG FOR DAF Ø 100

07.03.027 this part N° replaces all below

UNITS		REPAIR KIT		
KONGSBERG N°	OEM N°	KONGSBERG	OEM	TT
627669	1395608	628305	1443527	TSK.25.21
628260	1443524	628305	1443527	TSK.25.21



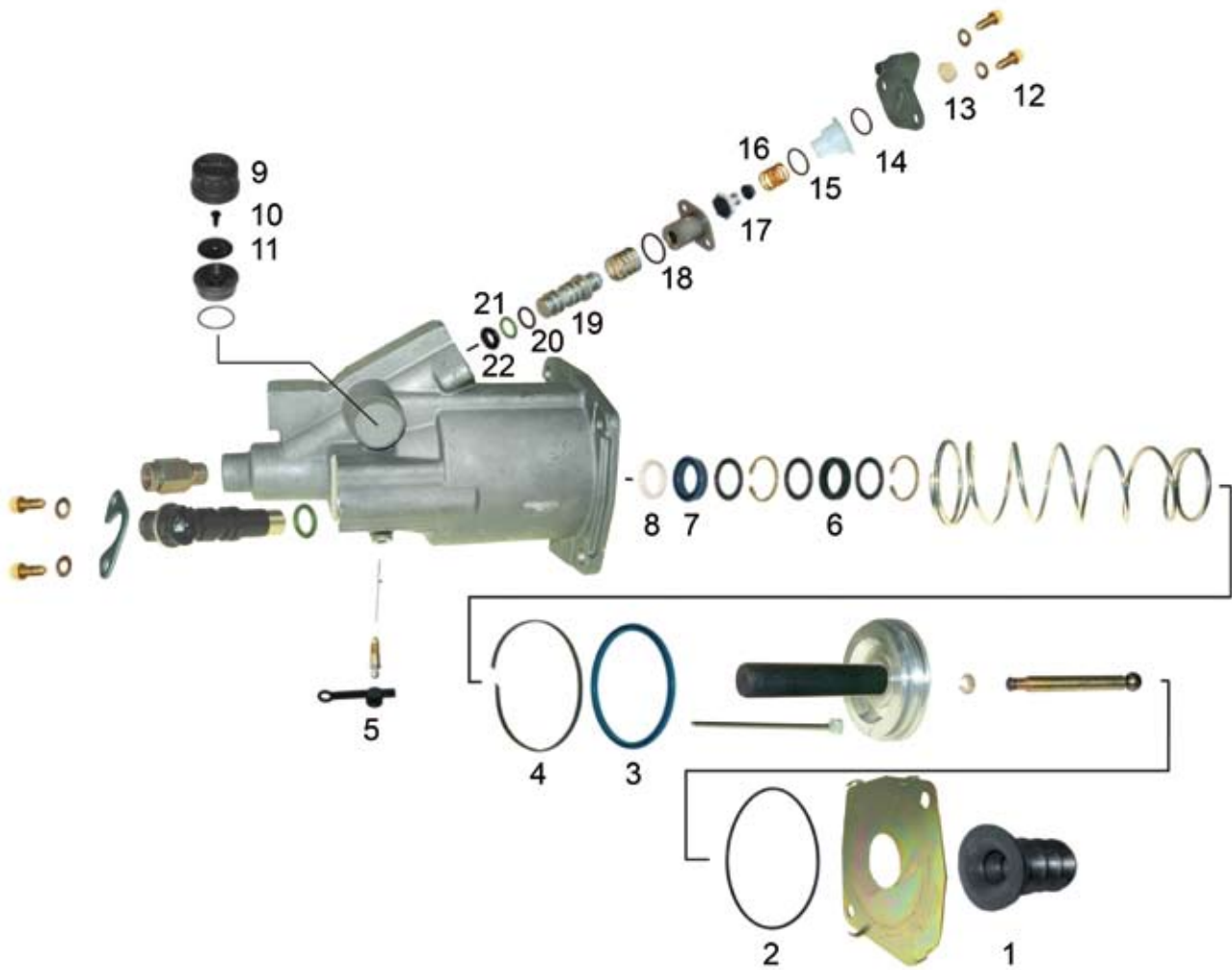
REPAIR KITS	DESCRIPTION	ITEMS IN KIT
TSK.25.21	R/KIT CL/S.DAF	1 TO 22



KONGSBERG FOR DAIMLER BENZ Ø 100

07.03.077 this part N°replaces all below

UNITS		REPAIR KIT		
KONGSBERG N°	OEM N°	KONGSBERG	OEM	TT
625375	000.254.00.47	-	-	TSK.25.28



REPAIR KITS	DESCRIPTION	ITEMS IN KIT
TSK.25.28	R/KIT CL/S.MERCEDES	1 TO 22
WSK.28.9A	R/KIT SENSOR	23 AND 24 (suitable also for wabco servos)



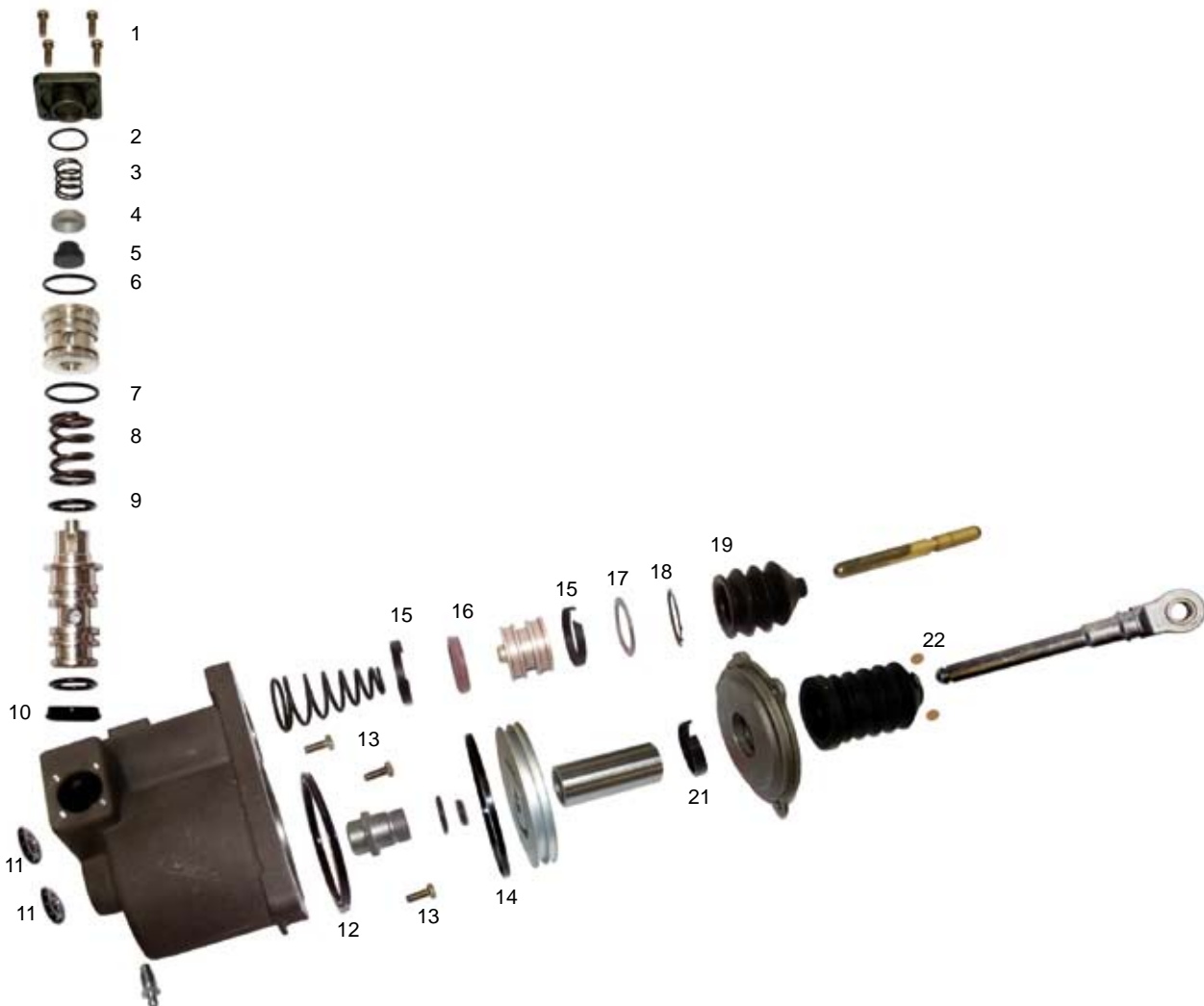
KONGSBERG FOR DAIMLER BENZ Ø 90

07.15.002 this part N° replaces all below

UNITS		REPAIR KIT		
KONGSBERG N°	OEM N°	KONGSBERG	OEM	TT
-	001.295.67.07	-	-	TSK.28.3



Exchange units use any n°	
970.051.131	07.13.010



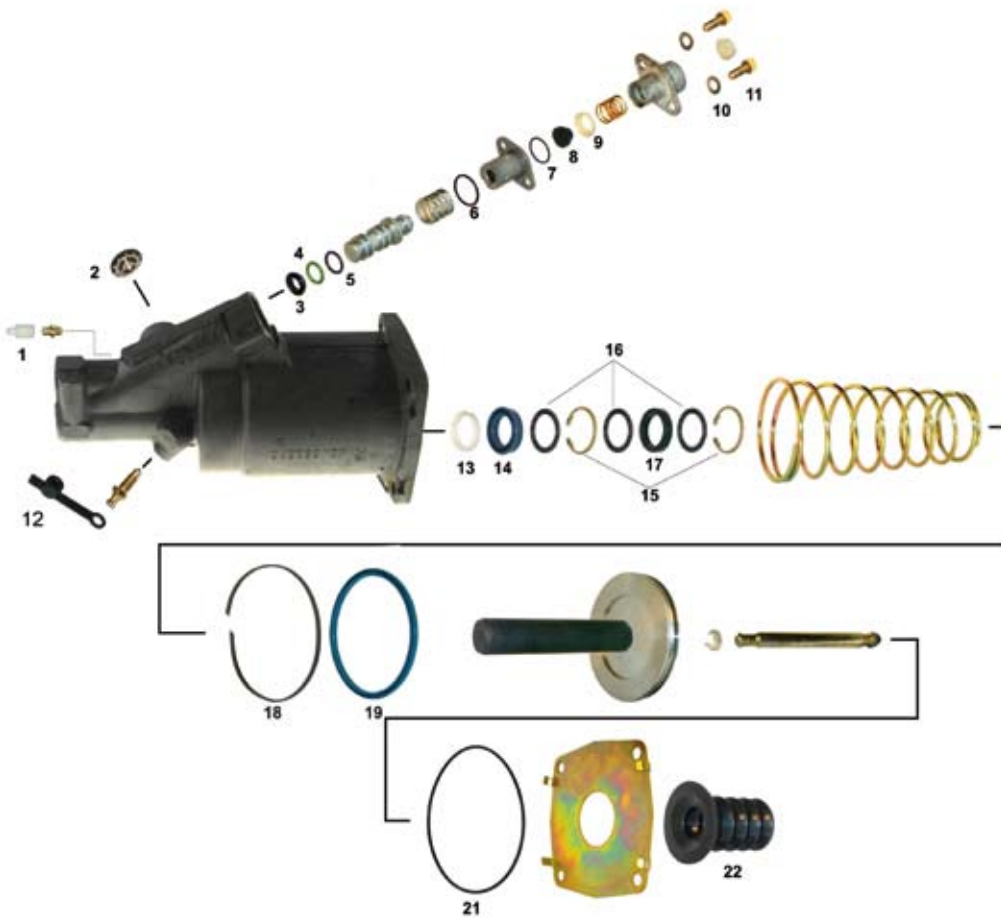
REPAIR KITS	DESCRIPTION	ITEMS IN KIT
TSK.28.3	R/KIT FOR KONGSBERG	1 TO 22



KONGSBERG FOR LEYLAND Ø 80

07.03.035 this part N° replaces all below

UNITS		REPAIR KIT		
KONGSBERG N°	OEM N°	KONGSBERG	OEM	TT
625290	AXU.0132	625475	FBU.9623	TSK.25.2
624652	ACHG.662	627622	AMPB.893	TSK.25.2
627498	ATRA.460	627622	AMPB.893	TSK.25.2
626104	ACHG.664	627622	AMPB.893	TSK.25.2
627497	ATRA.498	627622	AMPB.893	TSK.25.2
627499	ATRA.462	627622	AMPB.893	TSK.25.2
627499	ACHC.450	627622	AMPB.893	TSK.25.2



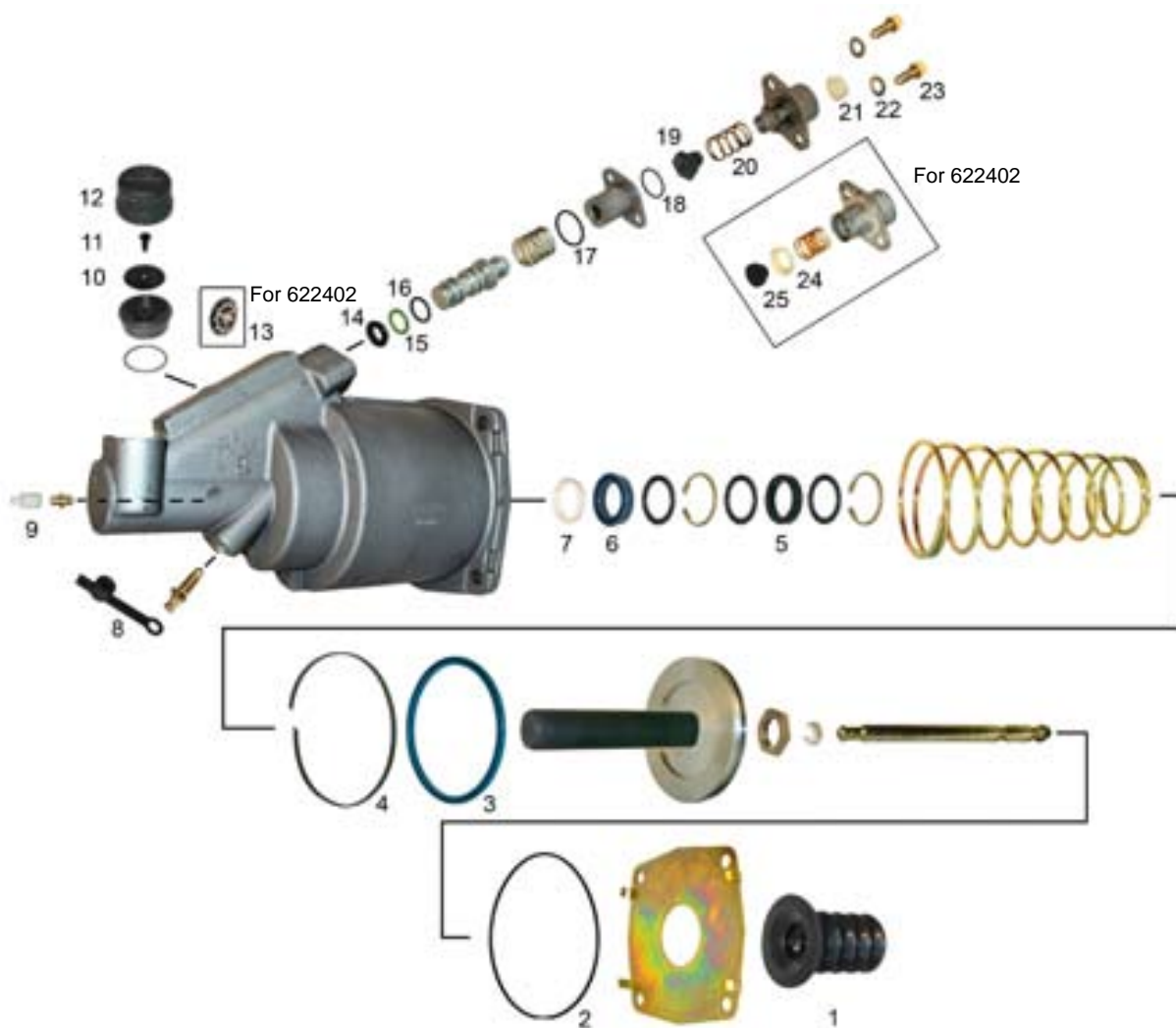
REPAIR KITS	DESCRIPTION	ITEMS IN KIT
TSK.25.2	R/KIT CL/S.LEYLAND	1 TO 22



KONGSBERG FOR MAN Ø 100

07.03.003 this part N°replaces all below

UNITS		REPAIR KIT		
KONGSBERG N°	OEM N°	KONGSBERG	OEM	TT
622402	81.30725.6051	-	-	TSK.25.7
625586	81.30725.6053	622427	81.30725.6061	TSK.25.20
625586	81.30725.6053	628368	81.30725.6097	TSK.25.20



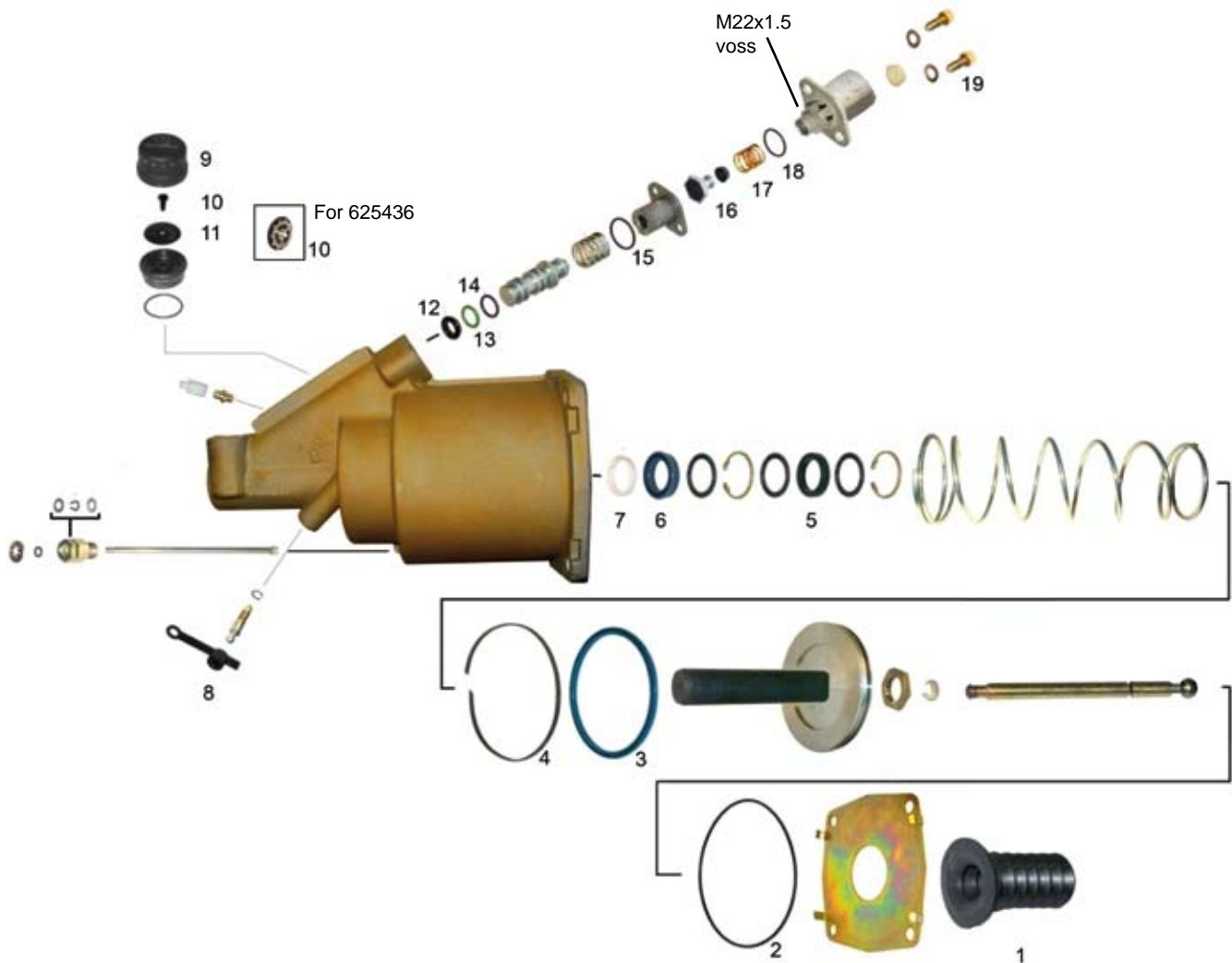
REPAIR KITS	DESCRIPTION	ITEMS IN KIT
TSK.25.7	R/KIT CL/S.	1 TO 7 , 9 , 13 TO 18 , 22 TO 24
TSK.25.20	R/KIT CL/S.	1 TO 12 , 14 TO 21 , 23



KONGSBERG FOR MAN Ø 100

07.03.039 this part N° replaces all below

UNITS		REPAIR KIT		
KONGSBERG N°	OEM N°	KONGSBERG	OEM	TT
625436	81.30725.6074	627117	81.30725.6090	TSK.25.20
628027	81.30725.6093	628368	81.30725.6097	TSK.25.20

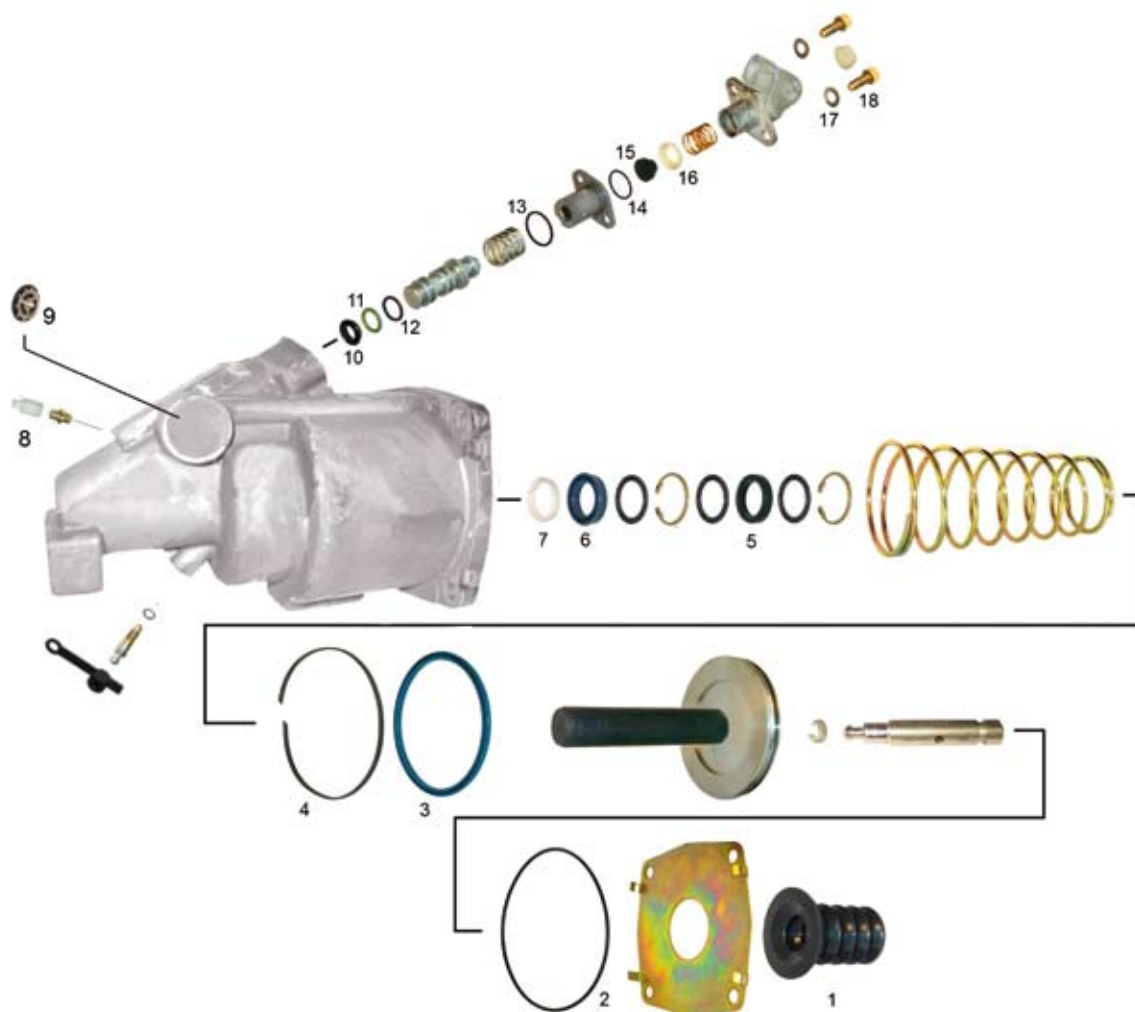


REPAIR KITS	DESCRIPTION	ITEMS IN KIT
TSK.25.20	R/KIT CL/S.MAN/VOLVO	1 TO 19

KONGSBERG FOR RVI Ø 100

07.03.042 this part N° replaces all below

UNITS		REPAIR KIT		
KONGSBERG N°	OEM N°	KONGSBERG	OEM	TT
622206	5000673435	625320	5001822477	TSK.25.7
622206	5001832980	625320	5001822477	TSK.25.7
625385	5010244223	625320	5001822477	TSK.25.7
626162	5010244402	626729	5001843783	TSK.25.7



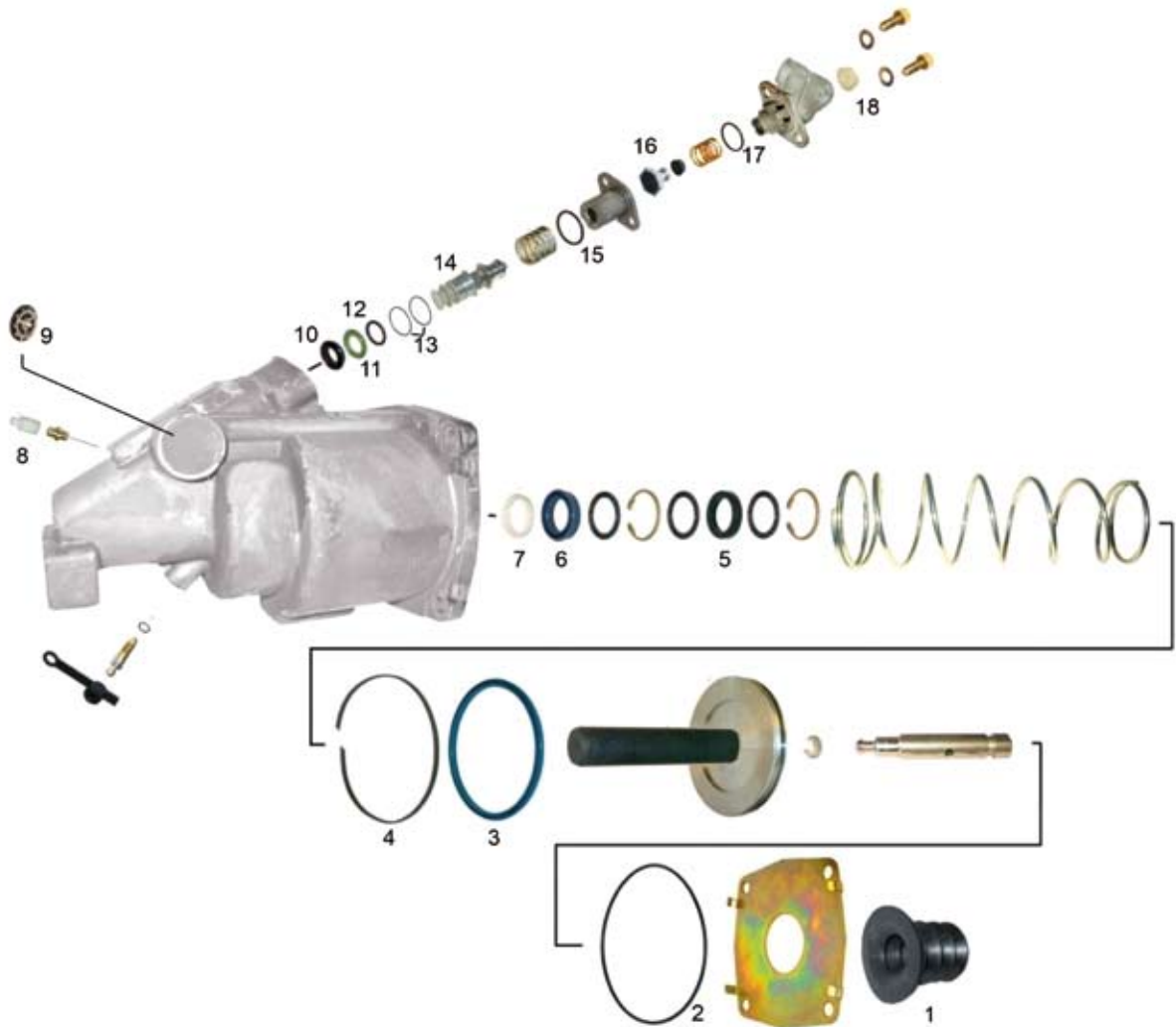
REPAIR KITS	DESCRIPTION	ITEMS IN KIT
TSK.25.7	R/KIT CLUTCH SERVO	1 TO 18



KONGSBERG FOR RVI Ø 100

07.04.006 this part N°replaces all below

UNITS		REPAIR KIT		
KONGSBERG N°	OEM N°	KONGSBERG	OEM	TT
625524	5010244224	626733	5001843797	TSK.25.22



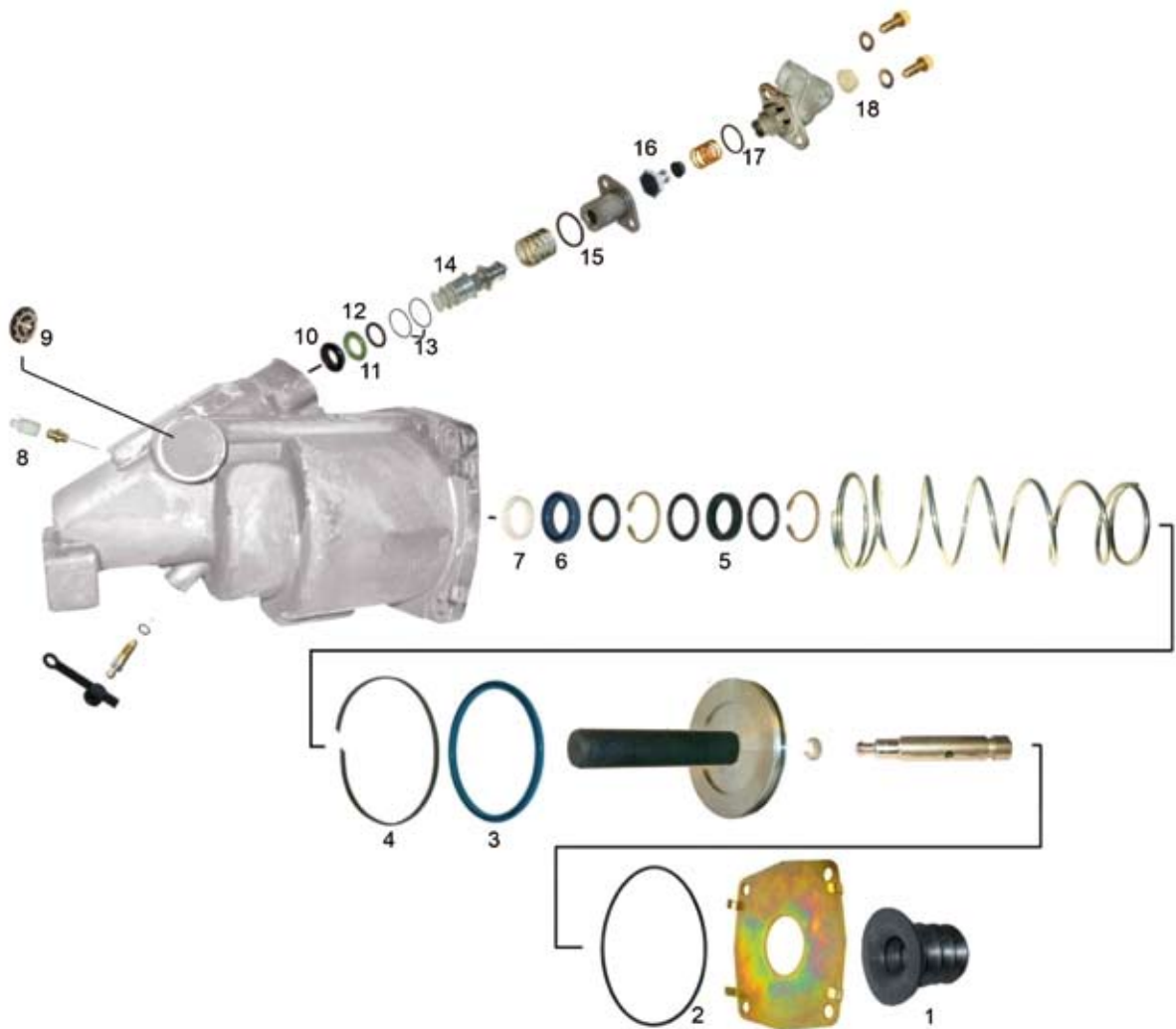
REPAIR KITS	DESCRIPTION	ITEMS IN KIT
TSK.25.22	R/KIT CL/S.RVI	1 TO 18



KONGSBERG FOR SCANIA Ø 100

07.02.016 this part N° replaces all below

UNITS		REPAIR KIT		
KONGSBERG N°	OEM N°	KONGSBERG	OEM	TT
622108	371612	622195	1336159	TSK.25.7
622108	371612	625282	550465	TSK.25.7
622190	374116	622195	1336159	TSK.25.7
622190	374116	625282	550465	TSK.25.7



REPAIR KITS	DESCRIPTION	ITEMS IN KIT
TSK.25.22	R/KIT CL/S.RVI	1 TO 18



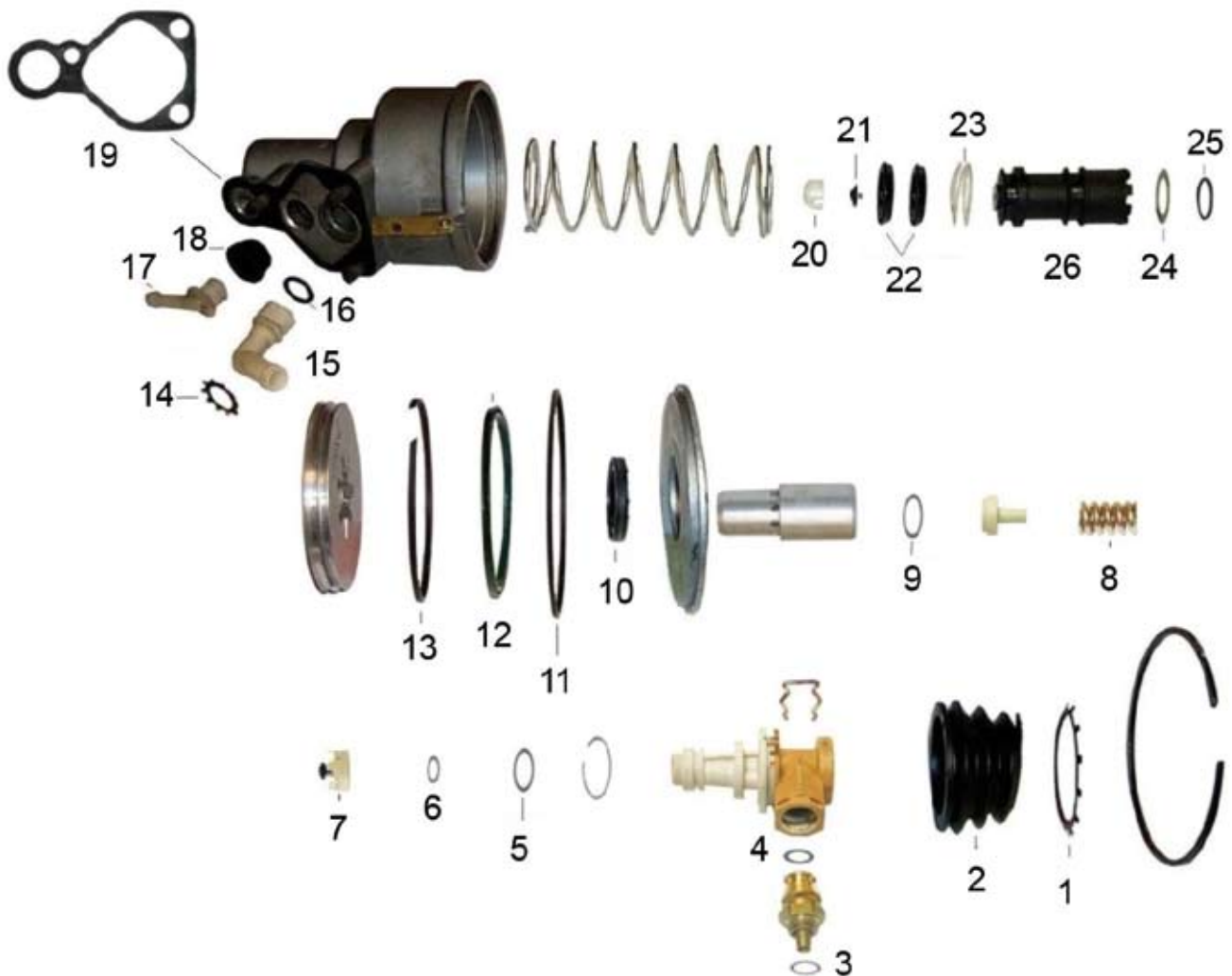
KONGSBERG FOR SCANIA

07.03.076 this part N°replaces all below

UNITS		REPAIR KIT		
KONGSBERG N°	OEM N°	KONGSBERG	OEM	TT
627692	1469161	629982		TSK.25.27



Exchange units use any n°	
629683	kongsberg
1421186	scania



REPAIR KITS	DESCRIPTION	ITEMS IN KIT
TSK.25.27	R/KIT CLUTCH BOOSTER SCANIA	1 TO 25
TSK.25.1A	R/KIT PLASTIC ROD	26 (advisable to replace each time)

KONGSBERG FOR SCANIA

07.05.003 this part N° replaces all below

UNITS		REPAIR KIT		
KONGSBERG N°	OEM N°	KONGSBERG	OEM	TT
625359	1367453	628131	1484715	TSK.25.1
625359	1421186	628131	1484715	TSK.25.1
629683	1513717	628131	1484715	TSK.25.1



Exchange units use any n°	
629683	kongsberg
1421186	scania



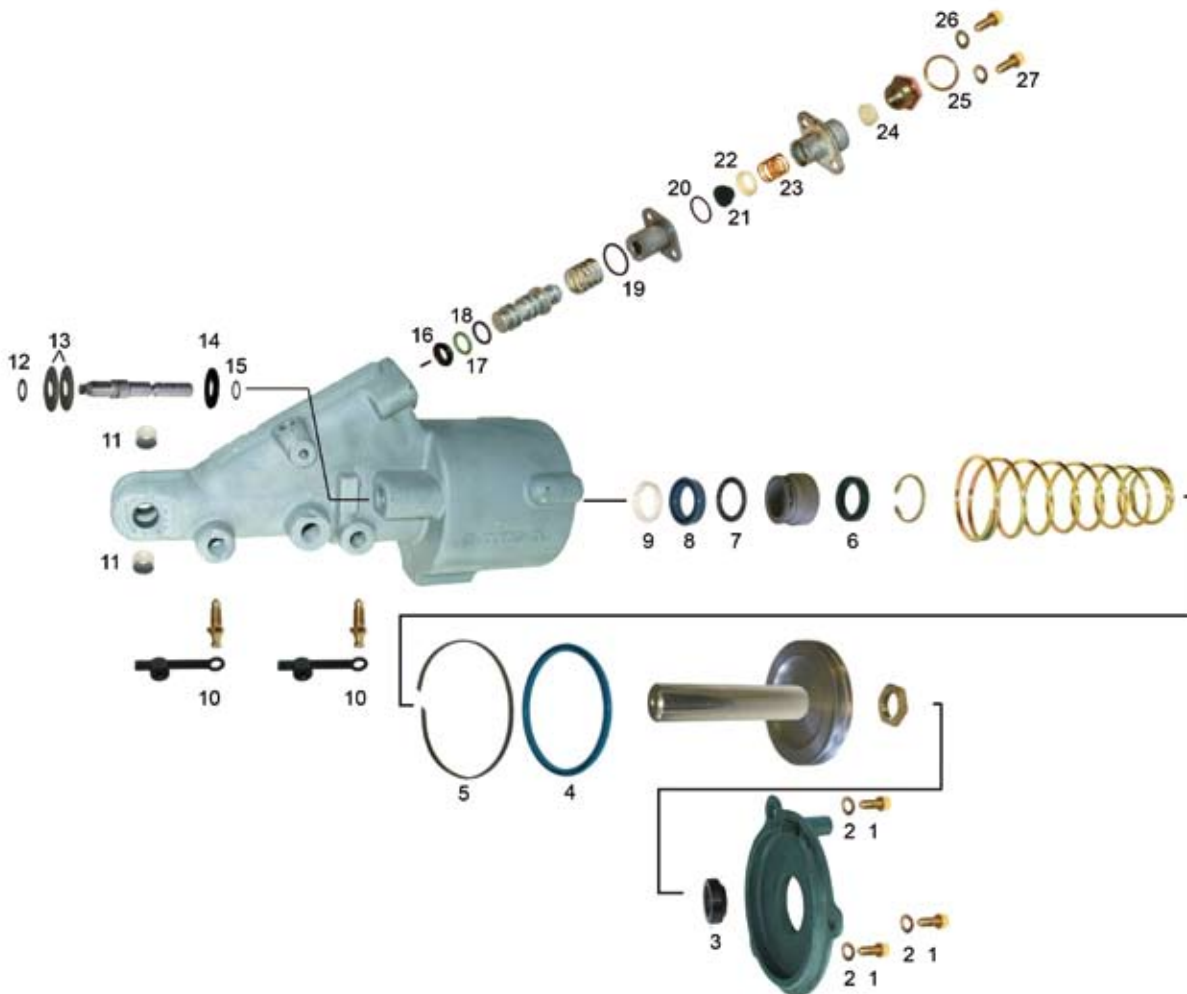
REPAIR KITS	DESCRIPTION	ITEMS IN KIT
TSK.25.1	R/KIT CL/S SCANIA	1 TO 28
TSK.25.1A	R/KIT PLASTIC ROD SCANIA	29 (advisable to replace each time)



KONGSBERG FOR VOLVO Ø 80

07.06.011 this part N° replaces all below

UNITS		REPAIR KIT		
KONGSBERG N°	OEM N°	KONGSBERG	OEM	TT
622080	267321	622011	273447	TSK.25
622080	1526523	622011	273447	TSK.25
626392	1655639	626703	3095041	TSK.25.16
626392	1673067	626703	85102140	TSK.25.16

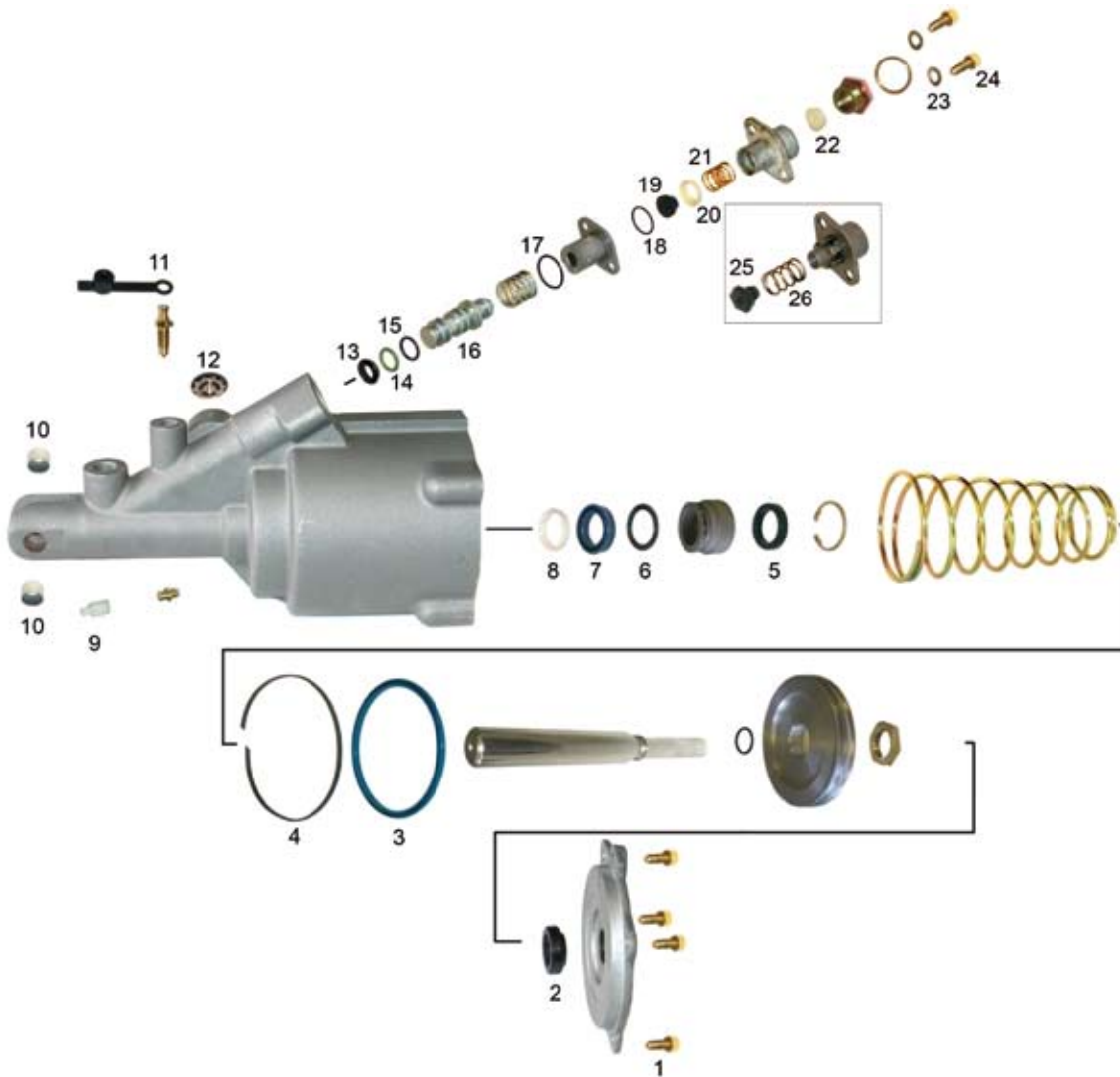


REPAIR KITS	DESCRIPTION	ITEMS IN KIT
TSK.25	R/KIT CL/S.VOLVO	1 TO 9 , 12 , 14 TO 22 AND 25 TO 27
TSK.25.16	R/KIT CL/S.VOLVO	3 TO 21 ,23 AND 24

KONGSBERG FOR VOLVO Ø 95

07.06.012 this part N° replaces all below

UNITS		REPAIR KIT		
KONGSBERG N°	OEM N°	KONGSBERG	OEM	TT
622045	1069205	622095	270586	TSK.25.8
622045	1521371	627366	3093099	TSK.25.18
622070	1655435	622095	270586	TSK.25.8
622070	1668501	627366	3093099	TSK.25.18
626639	1671953	627182	3093100	TSK.25.26



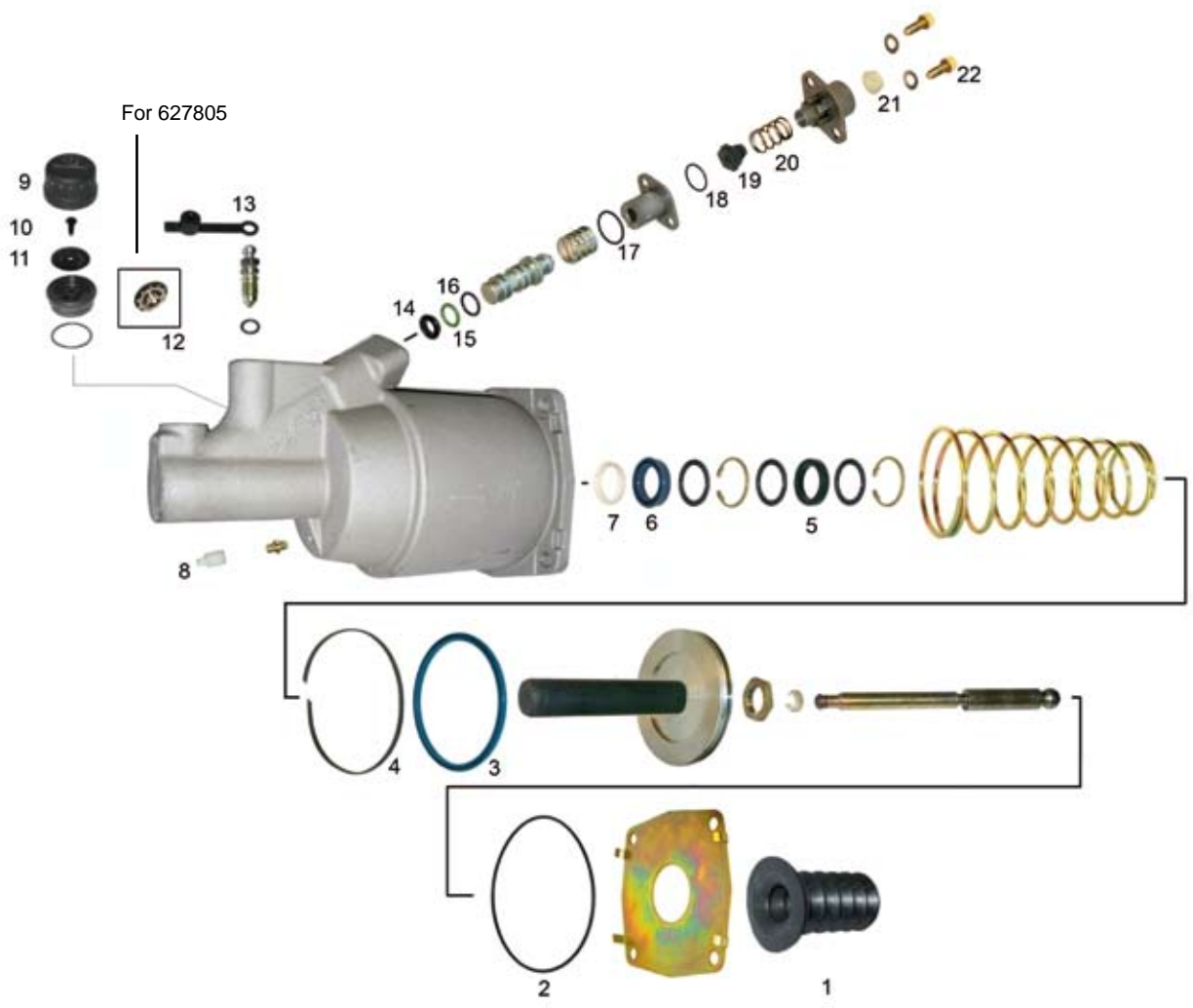
REPAIR KITS	DESCRIPTION	ITEMS IN KIT
TSK.25.8	R/KIT CL/S.VOLVO	1 TO 9 ,13 TO 15 , 17 TO 20 , 23 AND 24
TSK.25.18	R/KIT CL/S.VOLVO	1 TO 22 AND 24
TSK.25.26	R/KIT CL/S.VOLVO	1 TO 18 , 22 AND 24 TO 26



KONGSBERG FOR VOLVO Ø 100

07.03.080 this part N° replaces all below

UNITS		REPAIR KIT		
KONGSBERG N°	OEM N°	KONGSBERG	OEM	TT
627208	3192126	628476	85102142	TSK.25.20
627804	8171721	628476	85102142	TSK.25.20
628493	8171721	628476	85102142	TSK.25.20
629277	20524585	628476	85102142	TSK.25.20

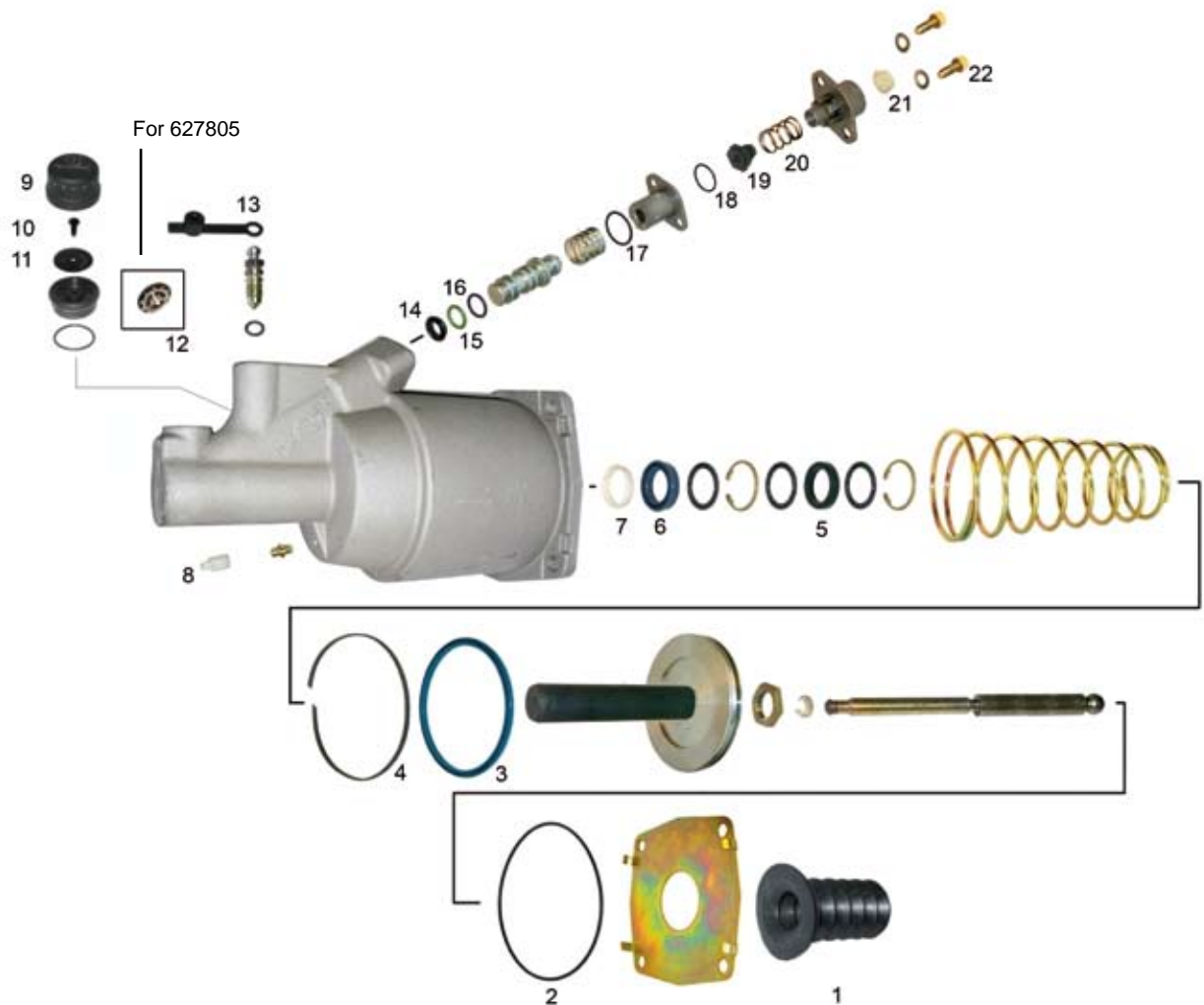


REPAIR KITS	DESCRIPTION	ITEMS IN KIT
TSK.25.20	R/KIT CL/S VOLVO	1 TO 22

KONGSBERG FOR VOLVO Ø 100

07.06.015 this part N° replaces all below

UNITS		REPAIR KIT		
KONGSBERG N°	OEM N°	KONGSBERG	OEM	TT
627805	8171700	628476	85102142	TSK.25.20
628494	8171722	628476	85102142	TSK.25.20



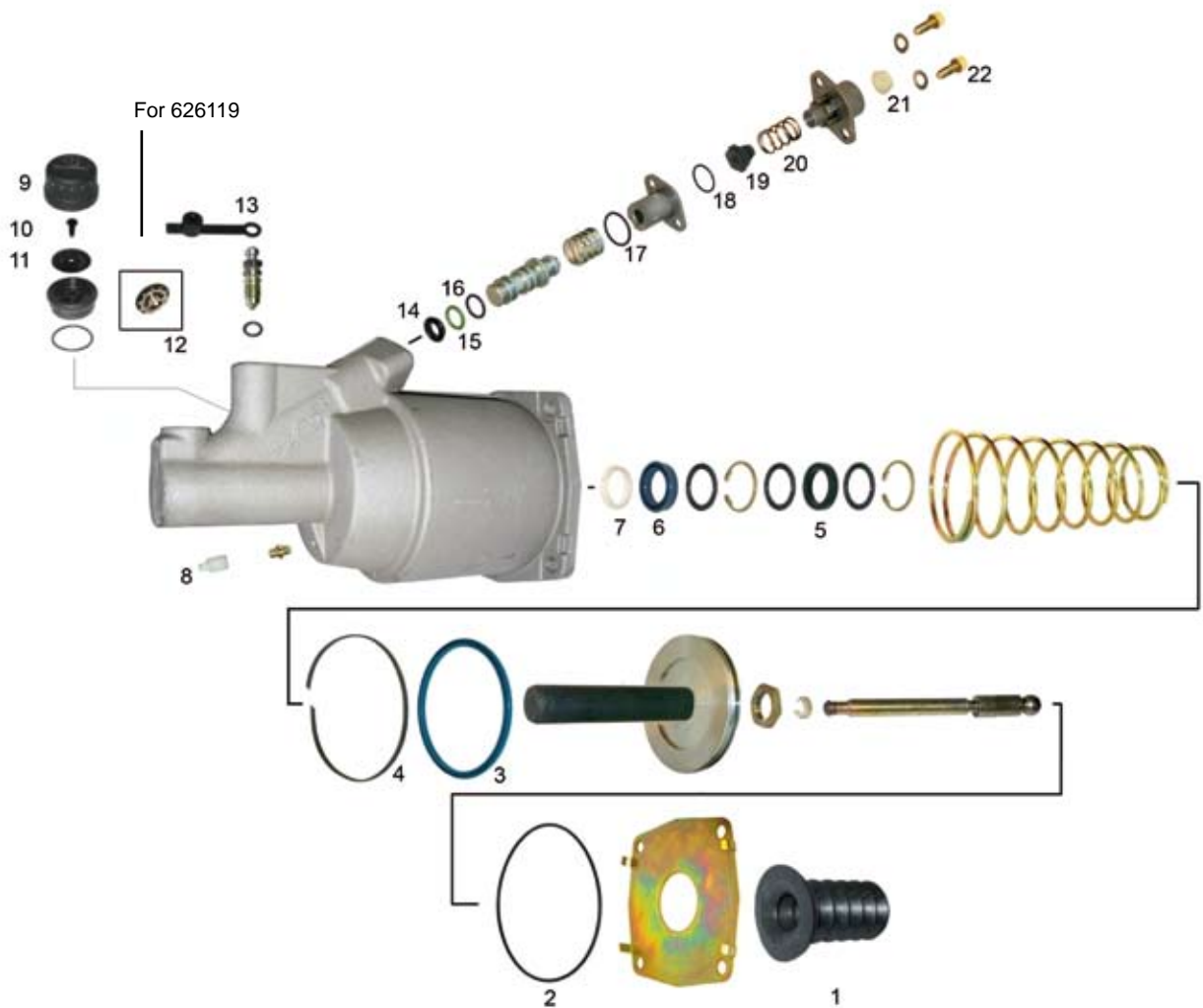
REPAIR KITS	DESCRIPTION	ITEMS IN KIT
TSK.25.20	R/KIT CL/S VOLVO	1 TO 22



KONGSBERG FOR VOLVO Ø 100

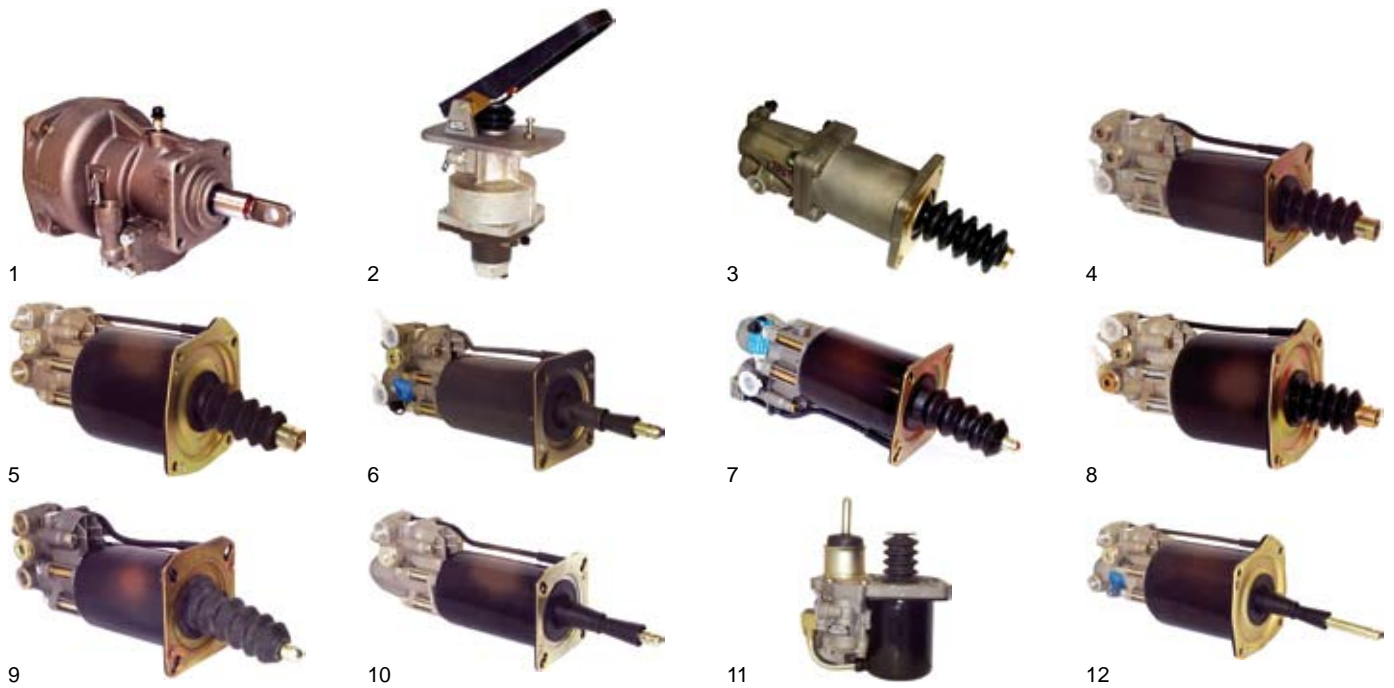
07.03.050 this part N° replaces all below

UNITS		REPAIR KIT		
KONGSBERG N°	OEM N°	KONGSBERG	OEM	TT
626119	1672129	-	-	TSK.25.20
627803	8171720	628476	85102142	TSK.25.20
628492	8171720	628476	85102142	TSK.25.20
629276	20524584	628476	85102142	TSK.25.20



REPAIR KITS	DESCRIPTION	ITEMS IN KIT
TSK.25.20	R/KIT CL/S VOLVO	1 TO 22

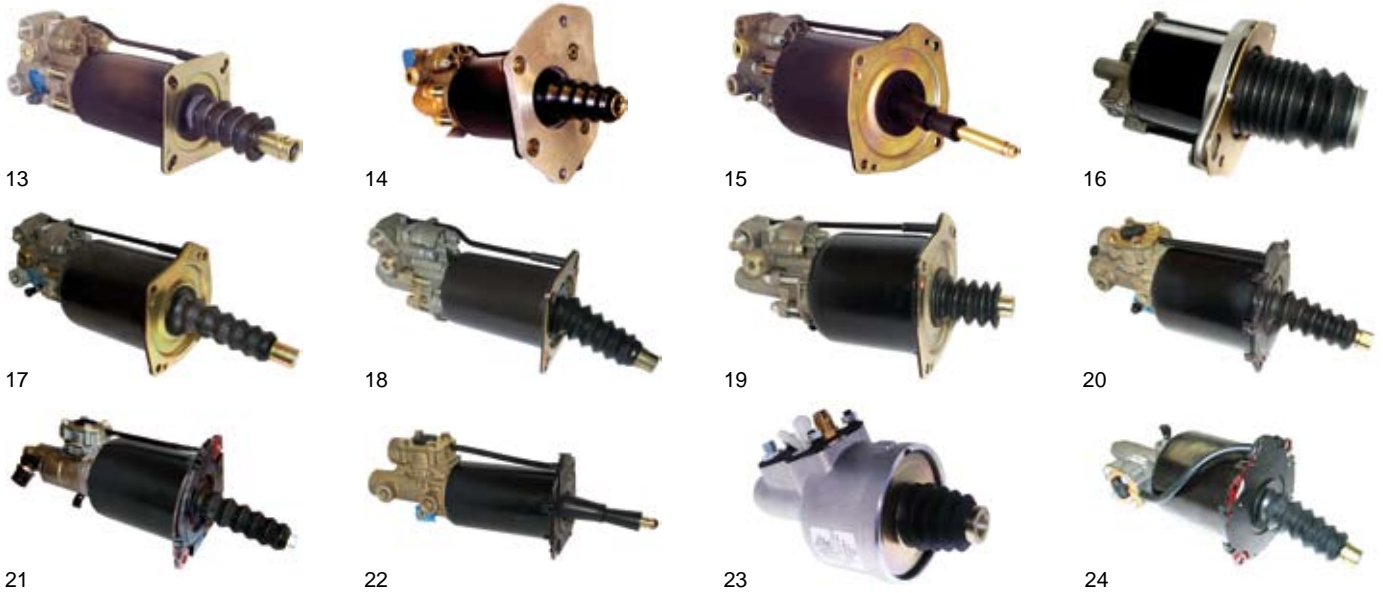
WABCO



	NUMBER	OEM N°	OEM	REPAIR KIT N°
1	164.217.63	5000612923	RVI	WSK.27
1	164.217.66	5000883249	RVI	WSK.27
1	164.217.67	5000883250	RVI	WSK.27
1	164.217.68	5000883251	RVI	WSK.27
1	164.217.69	5000883252	RVI	WSK.27
1	164.217.70	5000652355	RVI	WSK.27
1	164.217.71	5000652356	RVI	WSK.27
1	164.217.74	500053656	RVI	WSK.27
1	164.217.76	5000652166	RVI	WSK.27
2	460.001.110	2498438	IVECO	WSK.27.4
3	470.051.114	001.295.47.06	D.BENZ	WSK.28
4	970.051.102	658882	DAF	WSK.28.4
5	970.051.107	575181	SCANIA	WSK.28.10
5	970.051.127	4791101	IVECO	WSK.28.10
5	970.051.182	-	-	WSK.28.10
6	970.051.111	81.307.259.026	MAN	WSK.28.4
6	970.051.135	-	-	WSK.28.4
6	970.051.150	753259	DAF	WSK.28.4
7	970.051.114	659807	DAF	WSK.28.4
7	970.051.183	0.501.006.545	ZF	WSK.28.4
8	970.051.124	5001824707	RVI	WSK.28.10
8	970.051.128	001.295.56.07	D.BENZ	WSK.28.10
9	970.051.126	42061949	IVECO	WSK.28.4
10	970.051.129	281009	DAF	WSK.28.4
11	970.051.131	001.295.67.07	D.BENZ	WSK.28.3
12	970.051.132	81.307.256.031	MAN	WSK.28.10



WABCO



	NUMBER	OEM N°	OEM	REPAIR KIT N°
13	970.051.137	000.295.00.18	D.BENZ	WSK.28.4
14	970.051.151	000.295.08.18	D.BENZ	WSK.28.17
15	970.051.152	0.501.004.073	ZF	WSK.28.10
15	970.051.157	81.307.256.054	MAN	WSK.28.10
15	970.051.165	42321100	NEOPLAN	WSK.28.10
15	970.051.168	-	BOVA	WSK.28.10
16	970.051.158	000.295.15.18	D.BENZ	WSK.28.12
16	970.051.159	000.295.14.18	D.BENZ	WSK.28.12
17	970.051.163	000.295.07.18	D.BENZ	WSK.28.10
17	970.051.176	501005396	ZF	WSK.28.10
17	970 051 164	000.295.13.18	D.BENZ	WSK.28.10
18	970.051.204	42062535	IVECO	WSK.28.10
18	970.051.205	-	IVECO	-
19	970.051.209	5001824708	RVI	WSK.28.10
20	970.051.307	81.307.256.086	MAN	WSK.28.9
20	970.051.407	501005852	ZF	WSK.28.9
20	970.051.414	81.307.259.086	MAN	WSK.28.9
21	970.051.405	000.295.28.18	D.BENZ	WSK.28.19
21	970.051.431	000.250.00.47	D.BENZ	WSK.28.22
22	970.051.406	81.307.256.069	MAN	WSK.28.20
23	974.010.001	1412317	SCANIA	WSK.28.30
24	970.051.422	5010452512	RVI	-
24	970.051.424	0.501.006.795	ZF	WSK.28.24
25	884.502.747	1671953	VOLVO	WSK.28.10

WABCO



25



26



27



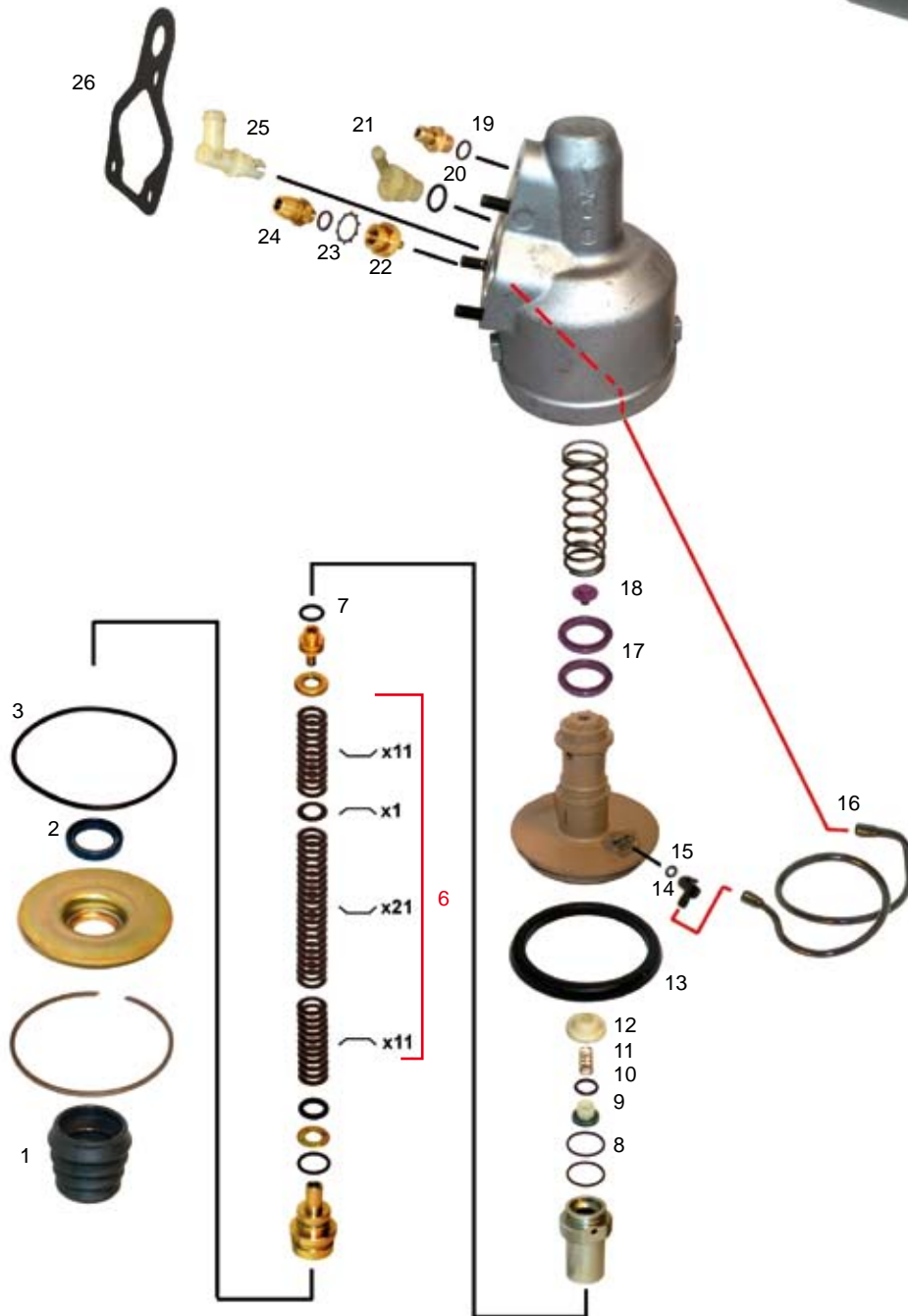
28

	NUMBER	OEM N°	OEM	REPAIR KIT N°
25	884.502.819	360717	SCANIA	WSK.28.10
25	884.502.824	1673067	VOLVO	WSK.28.10
25	970.051.192	1671953	VOLVO	WSK.28.10
25	970.051.193	360717	SCANIA	WSK.28.10
25	970.051.194	1673067	VOLVO	WSK.28.10
26	970.051.191	1331770	SCANIA	WSK.28.10
27	970.051.402	5010244401	RVI	WSK.28.24
27	970.051.410	5010245488	RVI	WSK.28.24
27	970.051.412	81.30725.6084	MAN	WSK.28.23
27	970.051.415	5010452511	RVI	WSK.28.24
27	970.051.423	1506466	DAF	WSK.28.9
27	970.051.427	000.295.35.18	D.BENZ	WSK.28.22
27	970.051.429	5010452429	RVI	WSK.28.26
28	970.051.430	5010452472	RVI	WSK.28.26
28	970.051.436	1147633	DAF	WSK.28.22
28	970.051.438	504103066	IVECO	WSK.28.24
28	970.051.441	000.254.04.47	D.BENZ	-
-	970.051.601	20933629	VOLVO	-

WABCO FOR SCANIA

07.22.001 this part N° replaces all below

UNITS		REPAIR KIT
WABCO N°	OEM N°	TT
974.010.001	1412317	WSK.28.30



REPAIR KITS	DESCRIPTION	ITEMS IN KIT
WSK.28.30	R/KIT FOR 974.010.001/002	1 TO 26





COLOUR CODES FOR IMPORTANT O RINGS & LIP SEALS







Servos used to assist clutch actuation in trucks and buses are submitted to harsh daily use. Material used in Trucktechnic seal manufacture is the fruit of years of study and experience.

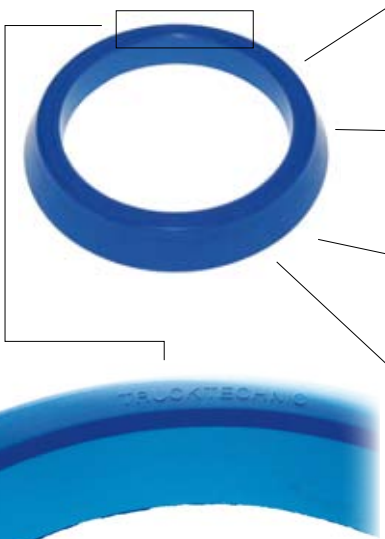
Avoid premature failure by using Trucktechnic repair kits. The type of seals used and their positions in the servo can be identified in our exploded views of units and repair kits.

1. O-RINGS

-  **NBR**
For components subjected to air pressure only.
-  **EPT**
For components in contact with hydraulic fluid
-  **Silicone**
For components subjected to high temperature
-  **FPM**
For components subjected to high temperature, also resists glycol (very few servos - beware!)

2. LIP SEALS

-  **SBR OR NBR**
For hydraulics, NBR for air side, black is used when application is obvious.
-  **NPT for Seals & Lip Seals**
Main air seals made in ordinary NBR are 6 x less resistant to wear than *this material*.
-  **EPT**
Highly resistant to swelling in all types of hydraulic fluid (DOT3, DOT4, DOT5)
-  **FPM**
Used on the hydraulic side, mineral oil is the controlling medium.
Ex:970.051.205...



Easily identified with TRUCKTECHNIC® logo engraved on the individual seals.



970.051.102 - TT N° 07.13.001



TECHNICAL DATA	
Application	DAF
Max. air inlet pressure	10 bar
Stroke	67 mm
Piston force	4000 N
Air inlet	M 16 x 1.5
Oil inlet	M 14 x 1.5
Fluid	Brake fluid
Push rod	Internally Threaded

APPLICATIONS	
DAF	2800
DAF	3300
DAF	Bova
ERF	EP (18 t)

LEGEND

O_RINGS		LIP SEALS	
NBR	SILICONE	SBR or NBR	EPT
EPT	FPM	NPT	FPM

970.051.107 - TT N° 07.13.002



TECHNICAL DATA	
Application	SCANIA
Max. air inlet pressure	10 bar
Stroke	58 mm
Piston force	6000 N
Air inlet	M 16 x 1.5
Oil inlet	M 14 x 1.5
Fluid	Brake fluid
Push rod	Internally Threaded

APPLICATIONS	
SCANIA 142 4 x 2 truck	
SCANIA 143E 450 6x4 truck	
SCANIA 143H 450 6x2 truck	
SCANIA 143M 450 4x2 truck	
SCANIA 143M 450 6x2 truck	



LEGEND

O_RINGS		LIP SEALS	
NBR	SILICONE	SBR or NBR	EPT
EPT	FPM	NPT	FPM



970.051.111 - TT N° 07.13.003



TECHNICAL DATA

Application

Max. air inlet pressure	10 bar
Stroke	85 mm
Piston force	4000 N
Air inlet	M 16 x 1.5
Oil inlet	M 14 x 1.5
Fluid	Brake fluid
Push rod	Spherical Ø 12

APPLICATIONS

MAN F80 - F81

LEGEND

O_RINGS		LIP SEALS	
NBR	SILICONE	SBR or NBR	EPT
EPT	FPM	NPT	FPM



970.051.114 - TT N° 07.13.004



TECHNICAL DATA	
<i>Application</i>	
<i>Max. air inlet pressure</i>	10 bar
<i>Stroke</i>	67 mm
<i>Piston force</i>	4000 N
<i>Air inlet</i>	M 16 x 1.5
<i>Oil inlet</i>	M 14 x 1.5
<i>Fluid</i>	Brake fluid
<i>Push rod</i>	Spherical Ø 12

APPLICATIONS	
DAF	2100
DAF	2300
DAF	2500
DAF	FA1300
DAF	FA1500
DAF	FA2500
DAF	FA2505
DAF	FT2500
DAF	FT2505
Dennis	Javelin

LEGEND

O_RINGS		LIP SEALS	
NBR	SILICONE	SBR or NBR	EPT
EPT	FPM	NPT	FPM



970.051.124 - TT N° 07.13.005



TECHNICAL DATA	
<i>Application</i>	
<i>Max. air inlet pressure</i>	10 bar
<i>Stroke</i>	58 mm
<i>Piston force</i>	6000 N
<i>Air inlet</i>	M 16 x 1.5
<i>Oil inlet</i>	M 14 x 1.5
<i>Fluid</i>	Brake fluid
<i>Push rod</i>	Internally Threaded

APPLICATIONS	
Renault-VI	C260 - C290
Renault-VI	CBH340 (F)
Renault-VI	CBH340 (F)
Renault-VI	CLM280
Renault-VI	CLM340 (F)
Renault-VI	CLM380 (F)
Renault-VI	FR1
Renault-VI	G230TI (19 t)
Renault-VI	G260 (19 t) - G290 (19 t)
Renault-VI	GBH260 - GBH280
Renault-VI	R310
Renault-VI	R310 (19TD COM)
Renault-VI	R310 (22TD COM)
Renault-VI	R330
Renault-VI	R340
Renault-VI	R340 (19TD COM)
Renault-VI	R340 (22TD COM)
Renault-VI	R365
Renault-VI	R370
Renault-VI	R390
Renault-VI	TBH260
Renault-VI	TBH280
Renault-VI	TRACER

LEGEND

O_RINGS		LIP SEALS	
NBR	SILICONE	SBR or NBR	EPT
EPT	FPM	NPT	FPM

970.051.126 - TT N° 07.13.006



TECHNICAL DATA	
<i>Application</i>	
<i>Max. air inlet pressure</i>	10 bar
<i>Stroke</i>	67 mm
<i>Piston force</i>	4000 N
<i>Air inlet</i>	M 16 x 1.5
<i>Oil inlet</i>	M 14 x 1.5
<i>Fluid</i>	Brake fluid
<i>Push rod</i>	Spherical Ø 12

APPLICATIONS
IVECO 170-34
IVECO 190-30
IVECO 230-34



LEGEND

O_RINGS		LIP SEALS	
NBR	SILICONE	SBR or NBR	EPT
EPT	FPM	NPT	FPM



970.051.127 - TT N° 07.13.007



TECHNICAL DATA

Application

Max. air inlet pressure	10 bar
Stroke	85 mm
Piston force	6000 N
Air inlet	M 16 x 1.5
Oil inlet	M 14 x 1.5
Fluid	Brake fluid
Push rod	Boring Ø 12

APPLICATIONS

IVECO 330-36

LEGEND

O_RINGS		LIP SEALS	
NBR	SILICONE	SBR or NBR	EPT
EPT	FPM	NPT	FPM

970.051.128 - TT N° 07.13.008



TECHNICAL DATA	
<i>Application</i>	
<i>Max. air inlet pressure</i>	10 bar
<i>Stroke</i>	85 mm
<i>Piston force</i>	6000 N
<i>Air inlet</i>	M 16 x 1.5
<i>Oil inlet</i>	M 14 x 1.5
<i>Fluid</i>	Brake fluid
<i>Push rod</i>	Boring Ø 12

APPLICATIONS
Daimler Benz LS 1630
Daimler Benz LS 1929 - 1932 -1933
Daimler Benz LS 1934 -1935
Daimler Benz LS 1944



LEGEND

O_RINGS		LIP SEALS	
NBR	SILICONE	SBR or NBR	EPT
EPT	FPM	NPT	FPM



970.051.129 - TT N° 07.13.009



TECHNICAL DATA	
<i>Application</i>	
<i>Max. air inlet pressure</i>	10 bar
<i>Stroke</i>	85 mm
<i>Piston force</i>	6000 N
<i>Air inlet</i>	M 16 x 1.5
<i>Oil inlet</i>	M 14 x 1.5
<i>Fluid</i>	Brake fluid
<i>Push rod</i>	Spherical Ø 12

APPLICATIONS	
DAF	3600
DAF	2800 ATI
DAF	3300 ATI
DAF	3600 ATI

LEGEND

O_RINGS		LIP SEALS	
NBR	SILICONE	SBR or NBR	EPT
EPT	FPM	NPT	FPM

970.051.132 - TT N° 07.13.011



TECHNICAL DATA	
<i>Application</i>	
<i>Max. air inlet pressure</i>	10 bar
<i>Stroke</i>	85 mm
<i>Piston force</i>	6000 N
<i>Air inlet</i>	M 16 x 1.5
<i>Oil inlet</i>	M 14 x 1.5
<i>Fluid</i>	Brake fluid
<i>Push rod</i>	Spherical Ø 12

APPLICATIONS
MAN F 90



LEGEND

O_RINGS		LIP SEALS	
NBR	SILICONE	SBR or NBR	EPT
EPT	FPM	NPT	FPM



970.051.135 - TT N° 07.13.012



TECHNICAL DATA

Application

<i>Max. air inlet pressure</i>	10 bar
<i>Stroke</i>	85 mm
<i>Piston force</i>	4000 N
<i>Air inlet</i>	M 16 x 1.5
<i>Oil inlet</i>	M 14 x 1.5
<i>Fluid</i>	Brake fluid
<i>Push rod</i>	Boring Ø 12

APPLICATIONS

Van Hool BUS
Daimler Benz

LEGEND

O_RINGS		LIP SEALS	
NBR	SILICONE	SBR or NBR	EPT
EPT	FPM	NPT	FPM

970.051.137 - TT N° 07.13.013



TECHNICAL DATA	
<i>Application</i>	
<i>Max. air inlet pressure</i>	10 bar
<i>Stroke</i>	85 mm
<i>Piston force</i>	4000 N
<i>Air inlet</i>	M 16 x 1.5
<i>Oil inlet</i>	M 14 x 1.5
<i>Fluid</i>	Brake fluid
<i>Push rod</i>	Boring Ø 12

APPLICATIONS
Daimler Benz



LEGEND

O_RINGS		LIP SEALS	
NBR	SILICONE	SBR or NBR	EPT
EPT	FPM	NPT	FPM



970.051.150 - TT N° 07.13.016



TECHNICAL DATA	
<i>Application</i>	
<i>Max. air inlet pressure</i>	10 bar
<i>Stroke</i>	65 mm
<i>Piston force</i>	4000 N
<i>Air inlet</i>	M 16 x 1.5
<i>Oil inlet</i>	M 14 x 1.5
<i>Fluid</i>	Brake fluid
<i>Push rod</i>	Boring Ø 12

APPLICATIONS
DAF

LEGEND

O_RINGS		LIP SEALS	
NBR	SILICONE	SBR or NBR	EPT
EPT	FPM	NPT	FPM

970.051.151 - TT N° 07.13.017



TECHNICAL DATA	
<i>Application</i>	
<i>Max. air inlet pressure</i>	10 bar
<i>Stroke</i>	65 mm
<i>Piston force</i>	4000 N
<i>Air inlet</i>	M 16 x 1.5
<i>Oil inlet</i>	M 14 x 1.5
<i>Fluid</i>	Brake fluid
<i>Push rod</i>	Boring Ø 12

APPLICATIONS	
Daimler Benz 1320 - 1324	
Daimler Benz 1520 - 1524	
Daimler Benz 1717 - 1724	
Daimler Benz 1820 - 1827	
Daimler Benz 2527	
Daimler Benz 1120L - 1120LS	
Daimler Benz 1124AF - 1124F	
Daimler Benz 1320L	
Daimler Benz 1324L - 1324LS - 1324S	
Daimler Benz 1420L (MK) - 1420LS (MK)	
Daimler Benz 1424L	
Daimler Benz 1520L - 1524L	
Daimler Benz 1717AK - 1717K	
Daimler Benz 1720 (MK) - 1720S	
Daimler Benz 1820AK - 1820K	
Daimler Benz 1827L - 1827LS - 1827S	
Daimler Benz 2024L	
Daimler Benz 2527L	
Iveco EuroCargo 135 E 18 WR	

LEGEND

O_RINGS		LIP SEALS	
NBR	SILICONE	SBR or NBR	EPT
EPT	FPM	NPT	FPM



970.051.163 - TT N° 07.13.036



TECHNICAL DATA	
<i>Application</i>	
<i>Max. air inlet pressure</i>	10 bar
<i>Stroke</i>	85 mm
<i>Piston force</i>	6000 N
<i>Air inlet</i>	M 16 x 1.5
<i>Oil inlet</i>	M 14 x 1.5
<i>Fluid</i>	Brake fluid
<i>Push rod</i>	Boring Ø 12

APPLICATIONS
Daimler Benz LS 1935 - 1941

LEGEND

O_RINGS		LIP SEALS	
NBR	SILICONE	SBR or NBR	EPT
EPT	FPM	NPT	FPM

970.051.164 - TT N° 07.13.058



TECHNICAL DATA	
<i>Application</i>	
<i>Max. air inlet pressure</i>	10 bar
<i>Stroke</i>	85 mm
<i>Piston force</i>	6000 N
<i>Air inlet</i>	M 16 x 1.5
<i>Oil inlet</i>	M 14 x 1.5
<i>Fluid</i>	Brake fluid
<i>Push rod</i>	Boring Ø 12

APPLICATIONS
Daimler Benz OH 1635
Daimler Benz LK 2635
Daimler Benz O 400
Daimler Benz LS 1935 - 1938 -1941 - 2625



LEGEND

O_RINGS		LIP SEALS	
NBR	SILICONE	SBR or NBR	EPT
EPT	FPM	NPT	FPM



970.051.176 - TT N° 07.13.035

TECHNICAL DATA

Application

<i>Max. air inlet pressure</i>	10 bar
<i>Stroke</i>	85 mm
<i>Piston force</i>	6000 N
<i>Air inlet</i>	M 16 x 1.5
<i>Oil inlet</i>	M 14 x 1.5
<i>Fluid</i>	Brake fluid
<i>Push rod</i>	Spherical Ø 12

APPLICATIONS

DAF
EVO bus
Neoplan



LEGEND

O_RINGS		LIP SEALS	
NBR	SILICONE	SBR or NBR	EPT
EPT	FPM	NPT	FPM

970.051.182 - TT N° 07.13.055



TECHNICAL DATA	
Application	
Max. air inlet pressure	10 bar
Stroke	58 mm
Piston force	6000 N
Air inlet	M 16 x 1.5
Oil inlet	M 14 x 1.5
Fluid	Brake fluid
Push rod	Internally Threaded

APPLICATIONS
Daimler Benz



LEGEND

O_RINGS		LIP SEALS	
NBR	SILICONE	SBR or NBR	EPT
EPT	FPM	NPT	FPM



970.051.192 - TT N° 07.13.060



TECHNICAL DATA

Application

<i>Max. air inlet pressure</i>	10 bar
<i>Stroke</i>	58 mm
<i>Piston force</i>	6000 N
<i>Air inlet</i>	M 16 x 1.5
<i>Oil inlet</i>	M 14 x 1.5
<i>Fluid</i>	Brake fluid
<i>Push rod</i>	Internally Threaded

APPLICATIONS

VOLVO B7
VOLVO B12R
VOLVO NL10 - NL 12
VOLVO FH 12

LEGEND

O_RINGS		LIP SEALS	
NBR	SILICONE	SBR or NBR	EPT
EPT	FPM	NPT	FPM



970.051.193 - TT N° 07.13.057



TECHNICAL DATA	
Application	
Max. air inlet pressure	10 bar
Stroke	58 mm
Piston force	6000 N
Air inlet	M 16 x 1.5
Oil inlet	M 14 x 1.5
Fluid	Brake fluid
Push rod	Internally Threaded

APPLICATIONS
SCANIA K 112
SCANIA R 112
SCANIA R 142
SCANIA S 112
SCANIA T 142
SCANIA T 112

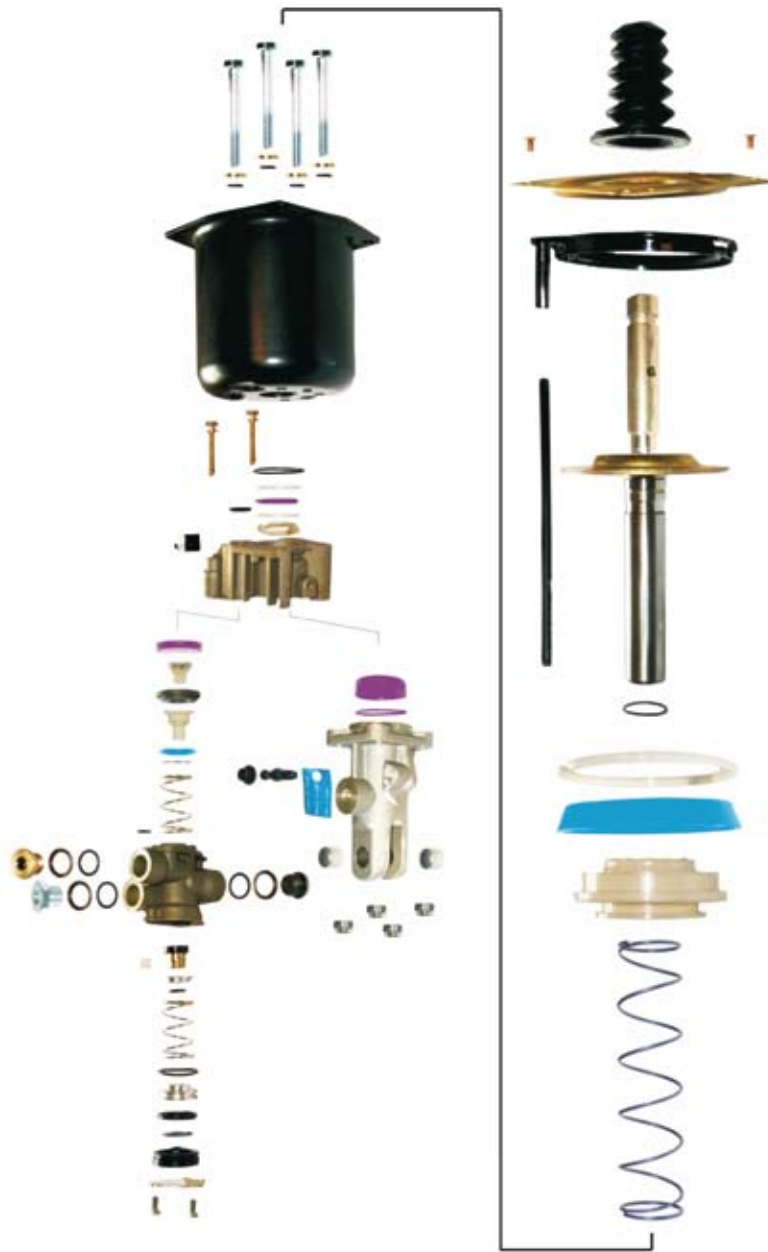


LEGEND

O_RINGS		LIP SEALS	
 NBR	 SILICONE	 SBR or NBR	 EPT
 EPT	 FPM	 NPT	 FPM



970.051.194 - TT N° 07.13.061



TECHNICAL DATA

Application	
Max. air inlet pressure	10 bar
Stroke	58 mm
Piston force	6000 N
Air inlet	M 12 x 1.5
Oil inlet	7/16" - 20
Fluid	Brake fluid
Push rod	Internally Threaded

APPLICATIONS

VOLVO B 10 M
VOLVO B 58
VOLVO N 10
VOLVO N 12
VOLVO NL 10
VOLVO NL 12

LEGEND

O_RINGS		LIP SEALS	
NBR	SILICONE	SBR or NBR	EPT
EPT	FPM	NPT	FPM



970.051.204 - TT N° 07.13.023

TECHNICAL DATA	
Application	
Max. air inlet pressure	10 bar
Stroke	24 mm
Piston force	4000 N
Air inlet	M 16 x 1.5
Oil inlet	M 14 x 1.5
Fluid	Brake fluid
Push rod	Spherical Ø 12
Air valve inlet & outlet	M 12 x 1.5

APPLICATIONS
IVECO



LEGEND

O_RINGS		LIP SEALS	
NBR	SILICONE	SBR or NBR	EPT
EPT	FPM	NPT	FPM



970.051.205 - TT N° 07.13.047

TECHNICAL DATA	
Application	
Max. air inlet pressure	10 bar
Stroke	26 mm
Piston force	4000 N
Air inlet	M 16 x 1.5
Oil inlet	M 14 x 1.5
Fluid	Mineral oil
Push rod	Internally Threaded
Air valve inlet & outlet	M 12 x 1.5

APPLICATIONS
 NOT AVAILABLE YET



LEGEND

O_RINGS		LIP SEALS	
 NBR	 SILICONE	 SBR or NBR	 EPT
 EPT	 FPM	 NPT	 FPM



970.051.209 - TT N° 07.13.024



TECHNICAL DATA	
<i>Application</i>	
<i>Max. air inlet pressure</i>	10 bar
<i>Stroke</i>	26 mm
<i>Piston force</i>	6000 N
<i>Air inlet</i>	M 16 x 1.5
<i>Oil inlet</i>	M 14 x 1.5
<i>Fluid</i>	Brake fluid
<i>Push rod</i>	Internally Threaded
<i>Air valve inlet & outlet</i>	M 12 x 1.5

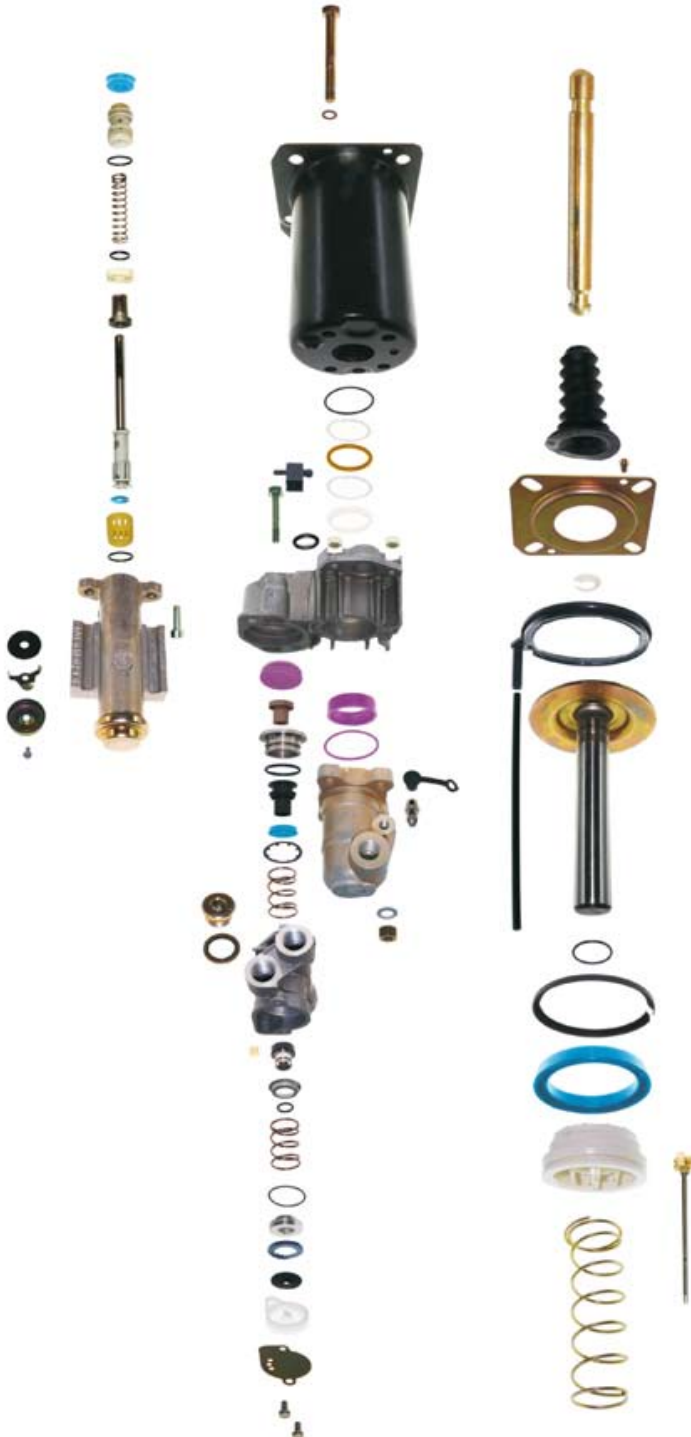
APPLICATIONS	
Renault-VI	AE380
Renault-VI	AE500
Renault-VI	CBH340 (F)
Renault-VI	CBH380 (F)
Renault-VI	G290 (19 t)
Renault-VI	G330 (17 t)
Renault-VI	M140 (11.5-13 t)
Renault-VI	M160 (11.5-13 t)
Renault-VI	M200 (14.5-16 t)
Renault-VI	M230 (14.5-16 t)

LEGEND

O_RINGS		LIP SEALS	
NBR	SILICONE	SBR or NBR	EPT
EPT	FPM	NPT	FPM



970.051.210 - TT N° 07.13.063



TECHNICAL DATA	
Application	
Max. air inlet pressure	10 bar
Stroke	26 mm
Piston force	4000 N
Air inlet	M 16 x 1.5
Oil inlet	M 14 x 1.5
Fluid	Brake fluid
Push rod	Spherical Ø 12
Air valve inlet & outlet	M 12 x 1.5

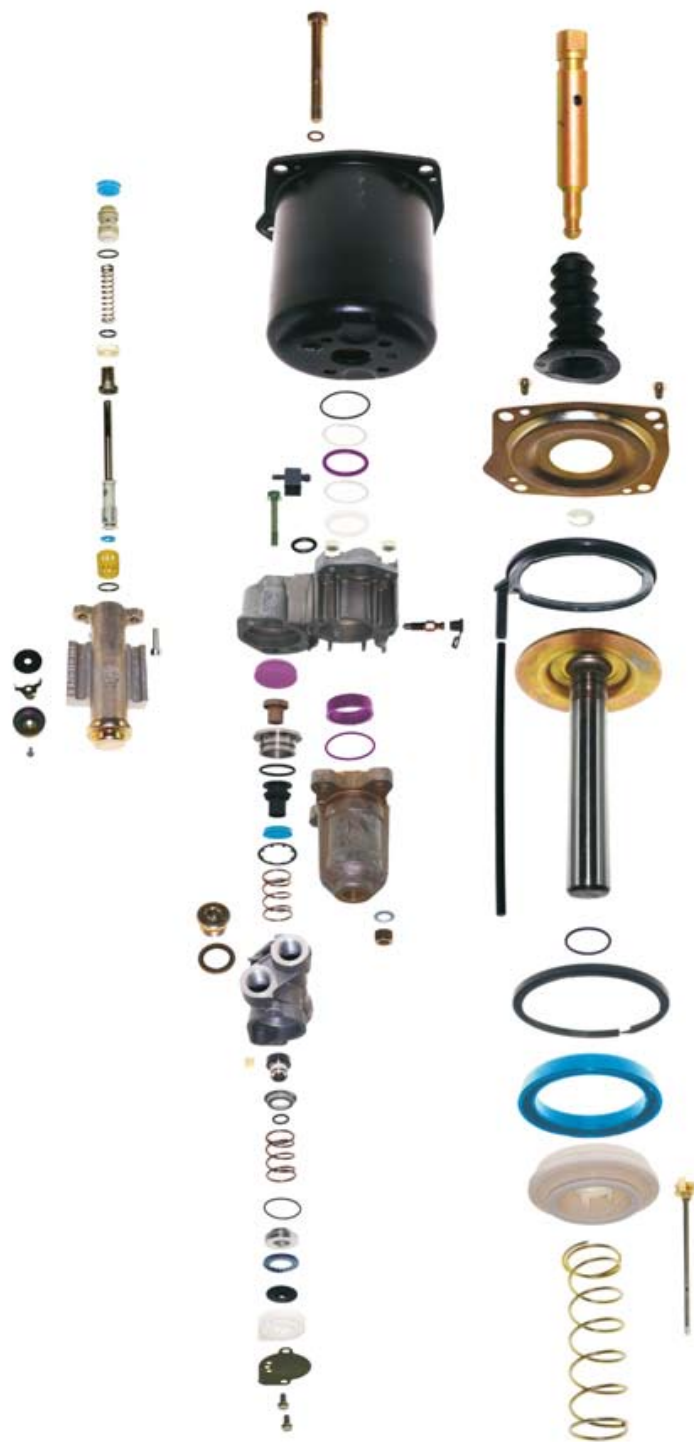
APPLICATIONS
DAF
EVO - bus
NEOPLAN

LEGEND

O_RINGS		LIP SEALS	
NBR	SILICONE	SBR or NBR	EPT
EPT	FPM	NPT	FPM



970.051.218 - TT N° 07.13.043








TECHNICAL DATA	
Application	
Max. air inlet pressure	10 bar
Stroke	26 mm
Piston force	6000 N
Air inlet	M 16 x 1.5
Oil inlet	M 14 x 1.5
Fluid	Brake fluid
Push rod	Internally Threaded
Air valve inlet & outlet	M 12 x 1.5

APPLICATIONS	
	NOT AVAILABLE YET



LEGEND

O_RINGS		LIP SEALS	
 NBR	 SILICONE	 SBR or NBR	 EPT
 EPT	 FPM	 NPT	 FPM



970.051.307 - TT N° 07.13.026

TECHNICAL DATA	
Application	
Max. air inlet pressure	10 bar
Stroke	85 mm
Piston force	6000 N
Air inlet	M 22 x 1.5
Oil inlet	M 14 x 1.5
Fluid	Brake fluid
Push rod	Spherical Ø 12

APPLICATIONS
MAN F2000



LEGEND

O_RINGS		LIP SEALS	
NBR	SILICONE	SBR or NBR	EPT
EPT	FPM	NPT	FPM



970.051.405 - TT N° 07.13.028



TECHNICAL DATA	
<i>Application</i>	
<i>Max. air inlet pressure</i>	10 bar
<i>Stroke</i>	85 mm
<i>Piston force</i>	2000 N
<i>Air inlet</i>	M 16 x 1.5
<i>Oil inlet</i>	SPECIAL
<i>Fluid</i>	Brake fluid
<i>Push rod</i>	Boring Ø 12

APPLICATIONS	
DaimlerChrysler	Actros (EBS / ECAS)
DaimlerChrysler	Actros 1823 LS - 1828 LS
DaimlerChrysler	Actros 1831LS - 1831S
DaimlerChrysler	Actros 1835LS - 1835S
DaimlerChrysler	Actros 1840LS - 1840S
DaimlerChrysler	Actros 1843LS
DaimlerChrysler	Actros 2031AS - 2031S
DaimlerChrysler	Actros 2040AS - 2040S
DaimlerChrysler	Actros 2053S
DaimlerChrysler	Actros 2531LS - 2535LS
DaimlerChrysler	Actros 2540LS - 2543LS
DaimlerChrysler	Actros 2548LS - 2640LS
DaimlerChrysler	Actros 2643LS
DaimlerChrysler	Actros 2648LS - 2648S
DaimlerChrysler	Actros 2653LS - 2653S
DaimlerChrysler	Actros 3331

LEGEND

O_RINGS		LIP SEALS	
NBR	SILICONE	SBR or NBR	EPT
EPT	FPM	NPT	FPM



970.051.406 - TT N° 07.13.031

TECHNICAL DATA	
Application	
Max. air inlet pressure	10 bar
Stroke	85 mm
Piston force	4000 N
Air inlet	M 22 x 1.5
Oil inlet	M 14 x 1.5
Fluid	Brake fluid
Push rod	Spherical Ø 12

APPLICATIONS
MAN L2000
MAN M2000



LEGEND

O_RINGS		LIP SEALS	
NBR	SILICONE	SBR or NBR	EPT
EPT	FPM	NPT	FPM



970.051.412 - TT N° 07.13.064



TECHNICAL DATA	
Application	
Max. air inlet pressure	10 bar
Stroke	85 mm
Piston force	6000 N
Air inlet	M 22 x 1.5
Oil inlet	M 14 x 1.5
Fluid	Mineral oil
Push rod	Spherical Ø 12

APPLICATIONS
MAN TGA



LEGEND

O_RINGS		LIP SEALS	
NBR	SILICONE	SBR or NBR	EPT
EPT	FPM	NPT	FPM



970.051.414 - TT N° 07.13.034



TECHNICAL DATA

Application

<i>Max. air inlet pressure</i>	10 bar
<i>Stroke</i>	85 mm
<i>Piston force</i>	6000 N
<i>Air inlet</i>	M 22 x 1.5
<i>Oil inlet</i>	M 14 x 1.5
<i>Fluid</i>	Brake fluid
<i>Push rod</i>	Spherical Ø 12

APPLICATIONS

MAN F2000

LEGEND

O_RINGS		LIP SEALS	
NBR	SILICONE	SBR or NBR	EPT
EPT	FPM	NPT	FPM



970.051.415 - TT N° 07.13.044



TECHNICAL DATA	
<i>Application</i>	
<i>Max. air inlet pressure</i>	10 bar
<i>Stroke</i>	75 mm
<i>Piston force</i>	6000 N
<i>Air inlet</i>	M 22 x 1.5
<i>Oil inlet</i>	M 14 x 1.5
<i>Fluid</i>	Brake fluid
<i>Push rod</i>	Tapping M 12 x 1.75
<i>Air valve inlet & outlet</i>	M 12 x 1.5

APPLICATIONS
Renault VI Premium



LEGEND

O_RINGS		LIP SEALS	
NBR	SILICONE	SBR or NBR	EPT
EPT	FPM	NPT	FPM



970.051.422 - TT N° 07.13.053

TECHNICAL DATA

Application

<i>Max. air inlet pressure</i>	10 bar
<i>Stroke</i>	75 mm
<i>Piston force</i>	6000 N
<i>Air inlet</i>	M 16 x 1.5
<i>Oil inlet</i>	M 14 x 1.5
<i>Fluid</i>	Brake fluid
<i>Push rod</i>	Internally Threaded

APPLICATIONS

Renault VI Premium



LEGEND

O_RINGS		LIP SEALS	
NBR	SILICONE	SBR or NBR	EPT
EPT	FPM	NPT	FPM



REPAIR KIT ALPHA NUMERICAL INDEX

KIT N°	OR KIT N°	MAKER	DESCRIPTION	APPLICATION
BISK.1	1406860	BENDITALIA	R/KIT C/SERVO BENDITALIA	1406643 / 1407023 / 1047118
BISK.2	1409065	BENDITALIA	R/KIT C/SERVO BENDITALIA	1408320 / 1408387 / 1408824
BISK.3.C	-	-	R/KIT C/SERVO IVECO NEW	1420362 / 1422762 / 1423831
BISK.3.C2	-	-	R/KIT C/SERVO	1424371
BISK.3.C3	-	-	R/KIT FOR 1423079-6591	1423079/1426591
CDSK.6	273632	VOLVO	R/KIT (APGA.1613)	APGA.1613
CDSK.6.C	273632	VOLVO	R/KIT C/SERVO (WITH PISTON)	APGA.1613
DSK.28.A	-	-	R/KIT BOOT 5 SPIRES	-
DSK.28.1D	403.994.30	DIMETAL	R/KIT DIMETAL DIA 100mm	460.725.0 / 460.806.8
DSK.28..1E	-	DIMETAL	R/KIT FOR 460.806 TT FORM	460.806
DSK.28.1F	-	DIMETAL	R/KIT PISTON (AIR) 460806.8	460.806.8 / 460.806.7
GSK.28	950.321.025	GRAU	R/KIT 321.015.001	321.015.001
GSK.28.1	950.321.027	GRAU	R/KIT 321.019.001	321.019.001
JSK.28	9364 - 0453	JKC	R/KIT C/SERVO Ø 90	-
JSK.28.1		JKC	R/KIT C/SERVO Ø 70	-
KSK.28	1.77904	KNORR	R/KIT VG.3151 / 3156	VG.3151 / VG.3156
KSK.28.1	1.84613	KNORR	R/KIT VG.3200	VG.3200 - I.83280
KSK.28.1B	-	-	R/KIT BOOT VG.3204 (x 10)	VG.3204
KSK.28.2	1.90586	KNORR	R/KIT VG.3205 / 3208 / 3218	VG.3205 / 3208 / 3218
KSK.28.3C	-	-	R/KIT VG.3360 (COMPLETE)	VG.3360 / 3361
KSK.28.6	11.35696.008	KNORR	R/KIT VG.3264/69	VG.3264 / 3269
WSK.27	5.000.814.513	RVI	R/KIT 164.217 C/SERVO	164.217....
WSK.27.1	462.012.001.20	WABCO	R/KIT 462.012.100/2/3 (DIA 115)	462.012.100.00
WSK.27.2	462.012.002.20	WABCO	R/KIT 462.012.101 (DIA 90)	462.012.101
WSK.27.4	460.001.000.20	WABCO	R/KIT C/SERVO 460.001...	460.001.110-113
WSK.28	470.051.002.20	WABCO	R/KIT 470.051.102 DIA 75	470.051.102 / 109
WSK.28.3	970.051.903.20	WABCO	R/KIT 970.051.131	970.051.131.00
WSK.28.3A	-	-	R/KIT (VALVE+ORINGS)	970.051.113.00
WSK.28.4	970.051.904.20	WABCO	R/KIT 970.051... DIA.75	970.051.102 / 111 / 114 / 126 / 129 / 135
WSK.28.8	970.051.955.20	WABCO	R/KIT 970.051.164/166/179	970.051.164 / 166 / 179
WSK.28.9	970.051.943.20	WABCO	R/KIT 970.051.307/407/408/30	970.051.303 / 307 / 407 / 408 / 414
WSK.28.9A	441.100.531.20	WABCO	EDS SENSOR KIT	970.051.307 / 407 / 408
WSK.28.9B	970.051.979.20	WABCO	SIDE VALVE ASSY 970.051.307	970.051.303 / .307 / .402 / .412 / .414
WSK.28.10	970.051.906.20	WABCO	970.051 DIA.100	970.051.107/124/127/28/132/152/157/163/176/ 209
WSK.28.12	970.051.916.20	WABCO	970.051.147	970.051.146 / 147 / 158 / 159
WSK.28.16	463.071.000.20	WABCO	R/KIT FOR SIDE VALVE (209)	970.051.204 TO 209
WSK.28.16A	970.051.937.20	WABCO	SIDE VLV ASSY 970.051.205	970.051.205 / 208 / 210 / 218 / 220
WSK.28.16B	970.051.942.20	WABCO	SIDE VLV ASSY 970.051.209	970.051.209
WSK.28.16C	970.051.938.20	WABCO	SIDE VLV ASSY 970.051.206	970.051.206 / 214 / 217/ 222 / 224
WSK.28.16D	970.051.940.20	WABCO	SIDE VLV ASSY 970.051.207	970.051.207
WSK.28.17	970.051.917.20	WABCO	970.051.151 DIA 85	970.051.151
WSK.28.19	970.051.949.20	WABCO	970.051.405	970.051.405
WSK.28.19B	-	-	PISTON (AIR) ASSY 405	970.051.405
WSK.28.19C	-	-	PISTON (AIR) ASSY 405 with 441.100.531.2	970.051.405



REPAIR KIT ALPHA NUMERICAL INDEX

KIT N°	OR KIT N°	MAKER	DESCRIPTION	APPLICATION
WSK.28.20	970.051.952.20	WABCO	970.051.406	970.051.406
WSK.28.30	-	-	KIT FOR 974.010.001	974.010.001
WSK.28.A	-	-	BOOT KIT HOLE 15.7 - 6 SPIRES	970.051.137
WSK.28.B1	-	-	BOOT KIT HOLE 12 - 5 SPIRES	970.051.102/107/124/127/128/151
WSK.28.B2	-	-	BOOT KIT HOLE 8	970.051.114 / 126 + 377009 (KONGS)
WSK.28.C	-	-	BOOT KIT (GAITER)	970.051.111/129/132/135/150/157/211
WSK.28.D	-	-	BOOT KIT HOLE 14 - 5 SPIRES	470.051.102 / 109
WSK.28.P1	-	-	PISTON KIT DIA 65mm	470.051.101 / 111 / 200
WSK.28.P2	-	-	PISTON KIT DIA 75mm	470.051.102 / 104 / 108 / 109
WSK.28.P3	-	-	PISTON KIT DIA 100mm	470.051.106 / 107 / 110 / 114 / 115
DSK.28.B	-	-	BOOT 3 SPIRES	-
TSK.25.27	-	-	R/KIT FOR 627692	627692



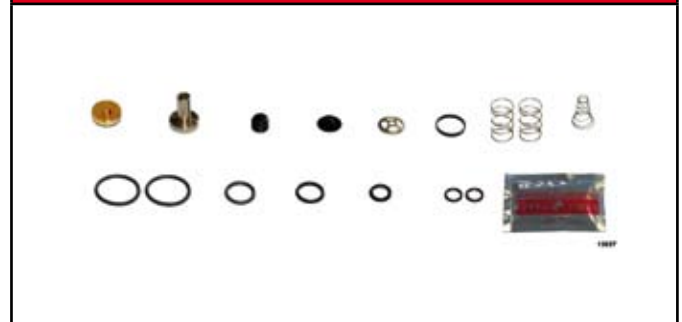
BISK.1



BISK.3.C2



BISK.2



BISK.3.C3



BISK.3.C



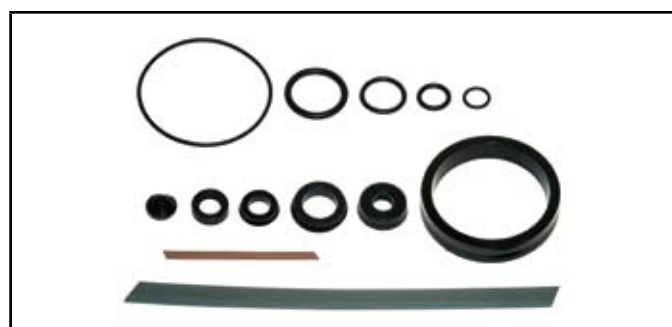
CDSK.6



REPAIR KIT



DSK.6.C



GSK.28



DSK.28.A



GSK.28.1



DSK.28.1D



JSK.28



DSK.28.1E



JSK.28.1



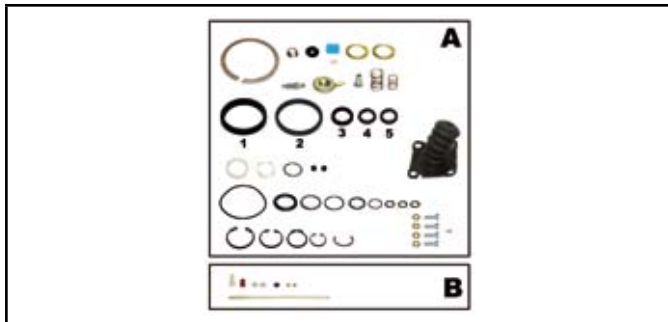
DSK.28.1F



KSK.28



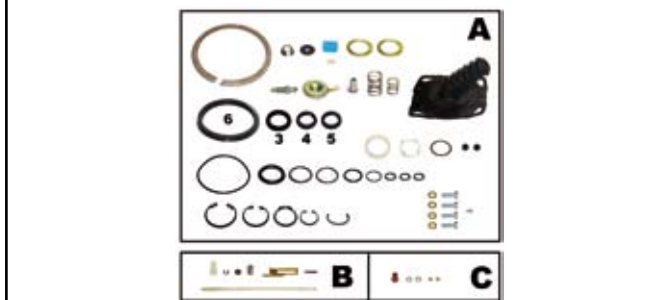
REPAIR KIT



KSK.28.1



KSK.28.1B



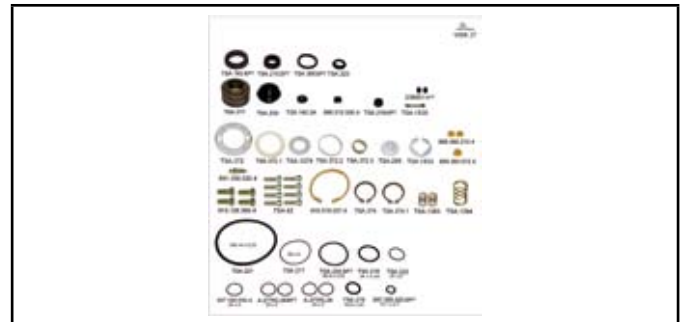
KSK.28.2



KSK.28.3C



KSK.28.6



WSK.27



WSK.27.1



WSK.27.2



WSK.27.4



WSK.28

REPAIR KIT



WSK.28.3



WSK.28.3A



WSK.28.4



WSK.28.8



WSK.28.9



WSK.28.9A



WSK.28.9B



WSK.28.10



WSK.28.12



WSK.28.16



REPAIR KIT



WSK.28.16A



WSK.28.16B



WSK.28.16C



WSK.28.16D



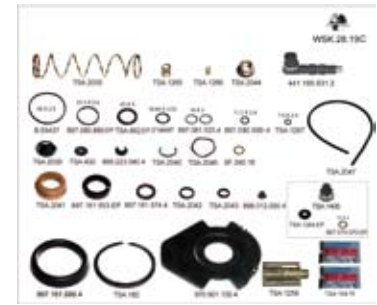
WSK.28.17



WSK.28.19



WSK.28.19B



WSK.28.19C



WSK.28.20



WSK.28.30

REPAIR KIT



WSK.28.A



WSK.28.B1



WSK.28.B2



WSK.28.C



WSK.28.D



WSK.28.P1



WSK.28.P2



WSK.28.P3



DSK.28.B



TSK.25.27



WHEN REPLACING A COMPRESSOR IT IS IMPORTANT TO MAKE A FEW PRELIMINARY CHECKS PRIOR TO STARTING THE ENGINE.



1/ CHECK THE AIR DISCHARGE LINE FOR BLOCKAGE AT LEAST UP TO THE UNLOADER.

If the unloader exhaust is carbonned up, the air line will be also. Replace the pipe and check also the line up to the 4 - circuit protection valve.

2/ CHECK THE COMPRESSOR AIR INLET FILTER IS IN GOOD CONDITION, AND REPLACE WHERE NECESSARY.

3/ BEFORE RE-CONNECTING THE OIL FEED LINE, pour in a little engine oil. This will prevent the crankshaft from turning 'dry' on starting. The same can be done in the air inlet to lubricate the compressor bore.

4/ WATER-COOLED COMPRESSORS WATER CIRCUITS should be properly purged as air pockets quickly lead to overheating. Minimum flow of cooling liquid should be 5 litres per minute.

5/ FOR VEHICLES WORKING IN RIGOROUS CONDITIONS such as mines , quarries, motorway construction, extra care should be taken to ensure correct filtration, as abrasive dust particles cause premature piston ring wear.

6/ WHEN REPLACING A COMPRESSOR DRIVEN BY A GEAR, it is advisable to check the gear for wear. Also, ensure the correct fixing to the crankshaft end.

7/ WHEN RETURNING THE OLD COMPRESSOR, ensure that the crankshaft end thread is adequately protected.

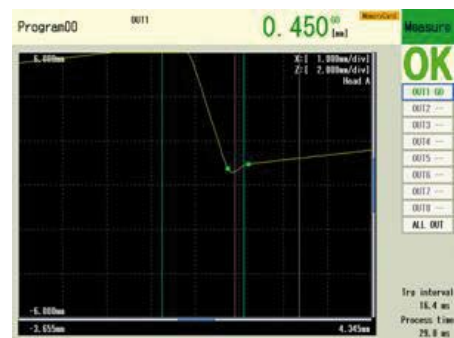


REPLACING INSTRUCTION IS AVAILABLE : IT - FR - SP on www.trucktechnic.com

Quality test
LASER TECHNOLOGY



Parallelism of bored cylinder walls, as well as piston and ring tolerances can only be accurately measured by laser technology. Each TT compressor, new or rebuilt, will guarantee the correct MIN/MAX tolerances. Only for this reason are you, the customer, able to credibly assert that excessive oil consumption has not been caused by poor workmanship!

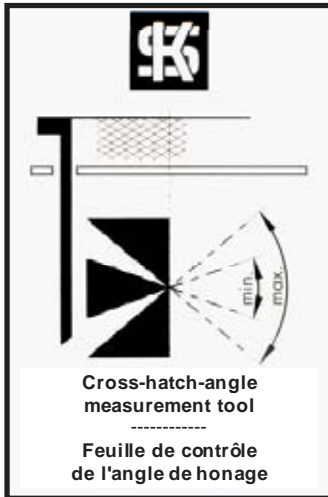
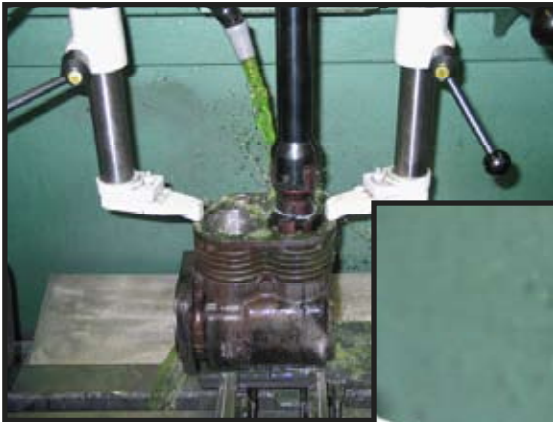


Software enable us to know the slack between cylinder and ring are ok or not !

Laser measure precision at « μm »



ALWAYS CHECK YOUR PISTONS AND RINGS BEFORE STARTING THIS PROCESS...



PISTON & RING MAKERS DO NOT ALWAYS DELIVER TO STATED TOLERANCES,....

CAREFULLY MATCH RINGS/PISTONS TO BORE

See «Piston ring measurement» page for more information

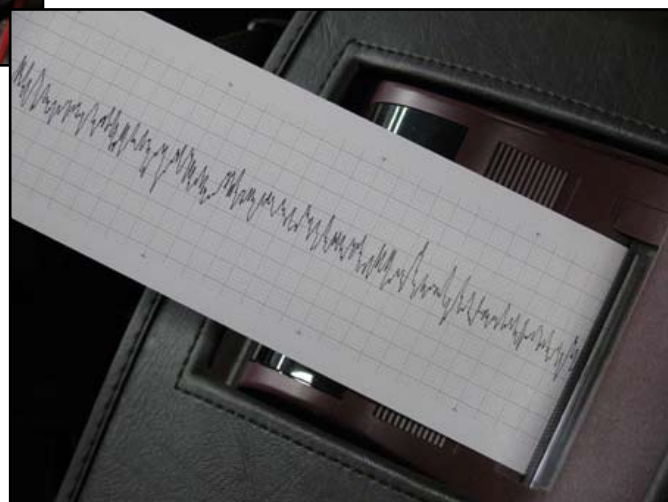
Correct analysis & reproduction of cylinder honing pattern means less oil carry-over.



TRUCKTECHNIC MACHINES WILL ACCURATELY DUPLICATE THE ORIGINAL MAKERS SPECIFICATIONS



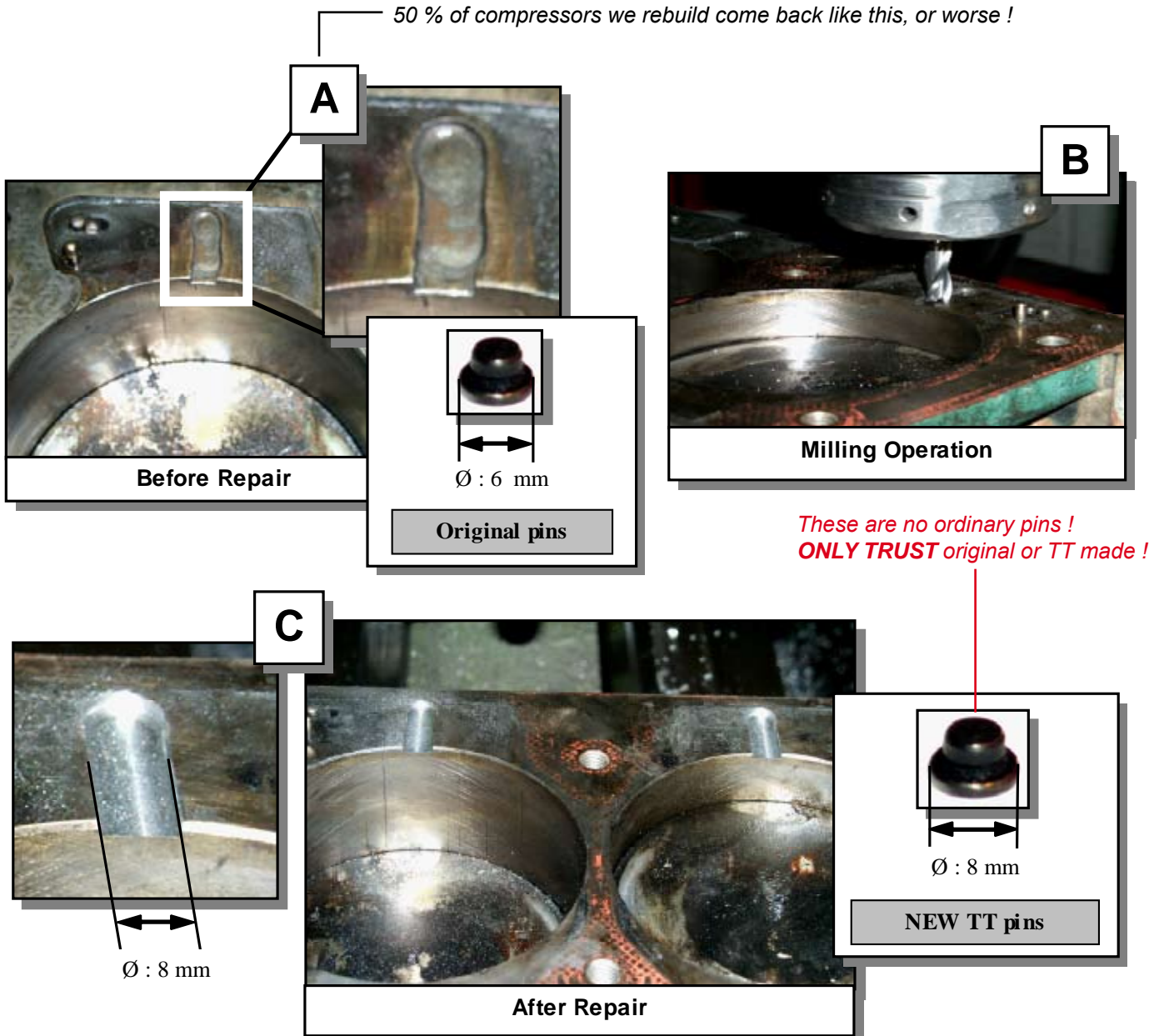
Mitutoyo surface rugosity measuring machine produces accurate computer printout of a newly honed surface.



REBUILDING PROCEDURE OF LP.4930 - 4934 - 4967 - 4825 COMPRESSORS

- Excessive wear shown in photo A will preclude effective repair.
- Two oversize fulchrum pins provided in TT repair kits have been specially made to allow milling to \varnothing 8 mm as shown in the photos B & C
- Alternative is to purchase a replacement body «kit» see relevant pages knorr section

50 % of compressors we rebuild come back like this, or worse !



BENDIX - CLAYTON



1



2



3



4



5



6



7



8



9



10



11



12



13



14



15



16



17



18



19



20



21



BENDIX - CLAYTON

	NUMBER	OEM N°	OEM	REPAIR KIT N°
1	107506	3609999	CUMMINS	BSK.14 / 14.CB / 14.R / 14.RP...
1	107507	3609998	CUMMINS	BSK.14 / 14.CB / 14.R / 14.RP...
2	107622	23511334	DETROIT DIESEL	BSK.14 / 14.CB / 14.R / 14.RP...
2	107623	23505235	DETROIT DIESEL	BSK.14 / 14.CB / 14.R / 14.RP...
3	108866	3039B5114A	MACK	BSK.14 / 14.CB / 14.R / 14.RP...
3	108869	3039B5113A	MACK	BSK.14 / 14.CB / 14.R / 14.RP...
4	108935	3946078	VOLVO	BSK.14 / 14.CB / 14.R / 14.RP...
4	108937	3946077	VOLVO	BSK.14 / 14.CB / 14.R / 14.RP...
5	109251	0R3404	CATERPILLAR	BSK.14 / 14.CB / 14.R / 14.RP...
5	109287	0R3405	CATERPILLAR	BSK.14 / 14.CB / 14.R / 14.RP...
6	280728	5001149	VOLVO	BSK.3 / 5 / 1
7	271721	571003	SCANIA	BSK.15 / 12 / 13 / 10 / 10F / 11
7	272921	1611815	VOLVO	BSK.15 / 12 / 13 / 10 / 10F / 11
7	273455	343743	VOLVO	BSK.15 / 12 / 13 / 10 / 10F / 11
7	280737	5001153	VOLVO	BSK.15 / 12 / 13 / 10 / 10F / 11
8	286104	5001477	VOLVO	BSK.15.3 / 17 / 19
9	289257	5002295	VOLVO	BSK.16 / 22
10	274838	ACU5896	LEYLAND	BSK.15 / 12 / 13 / 10 / 10F / 11
11	1186502	6190494	IVECO	-
12	1194215	657033	DENNIS	BSK.25
12	KZ.1143.2	CBU2147	LEYLAND	BSK.25
12	KZ.1143.4	3282836	CUMMINS	BSK.25
13	1194135	99471919	IVECO	KSK.9.2I / 93.R / 93.RP...
13	1194357	3285924	CUMMINS	KSK.9.2I / 93.R / 93.RP...
13	1194454	3286902	CUMMINS	KSK.9.2I / 93.R / 93.RP...
14	1194421	500388057	IVECO	KSK.9.2I / 93.R / 93.RP...
15	1194487	504079460	IVECO	KSK.9.2I / 93.R / 93.RP...
16	KZ.1228.1	394441	SCANIA	BSK.27.5P / SBSK.27.5P / BSK 27.11 / 27.3 / 27.10 / 27.10A / 30 / 28 / 27.8 / 27.6
16	KZ.396.2	571042	SCANIA	BSK.27.5P / SBSK.27.5P / BSK 27.11 / 27.3 / 27.10 / 27.10A / 30 / 28 / 27.8 / 27.6
16	KZ.642.1	571181	SCANIA	BSK.27.5P / SBSK.27.5P / BSK 27.11 / 27.3 / 27.10 / 27.10A / 30 / 28 / 27.8 / 27.6
16	KZ.642.2	571043	SCANIA	BSK.27.5P / SBSK.27.5P / BSK 27.11 / 27.3 / 27.10 / 27.10A / 30 / 28 / 27.8 / 27.6
17	KZ.433.1	8112781	VOLVO	BSK.27.5P / SBSK.27.5P / BSK 27.11 / 27.3 / 27.10 / 27.10A / 30 / 28 / 27.8 / 27.6
18	KZ.996.1	301525	SCANIA	BSK.27.5P / SBSK.27.5P / BSK 27.11 / 27.3 / 27.10 / 27.10A / 30 / 28 / 27.8 / 27.6
18	KZ.996.2	571182	SCANIA	BSK.27.5P / SBSK.27.5P / BSK 27.11 / 27.3 / 27.10 / 27.10A / 30 / 28 / 27.8 / 27.6
19	PCGA.1046	82DB2875DA	FORD	CDSK.3.4 / 3.C / 3.CP / 3L / 4.2
20	PCGA.1059	2P9614	CATERPILLAR	CDSK.3.3 / 3.C / 3.CP / 3L / 4.2
21	PCGA.1072	6777933	VOLVO	CDSK.3.4 / 3.C / 3.CP / 3L / 4.2



TYPE 2W440D (15.5 COMP)

NUMBER	OEM N°	OEM
KZ.1228.1	394441	SCANIA
KZ.396.2	571042	SCANIA
KZ.433.1	8112781	VOLVO
KZ.642.1	571181	SCANIA
KZ.642.2	571043	SCANIA
KZ.996.1	301525	SCANIA
KZ.996.2	571182	SCANIA

REPAIR KITS

NUMBER	DESCRIPTION	Apps
BSK.120.1	CRANKCASE COMPLETE	KZ.433
BSK.120.2	CRANKCASE COMPLETE	KZ.396 KZ.642 KZ.1228
BSK.120.6	CRANKCASE COMPLETE	KZ.996
BSK.122.1	CRANKSHAFT	ALL
BSK.123.1	CYL HEAD COMPLETE	KZ.396 KZ.433 KZ.996 KZ.1228
BSK.123.2	CYL HEAD COMPLETE	KZ.642
BSK.128.1	BEARING 72MM	ALL
BSK.27.10	VALVE PLATE 11 HOLES	ALL
BSK.27.3	BUSH (x10)	ALL
BSK.27.5P	MAIN OVE-RHAUL	ALL
BSK.27.6	FILTER	ALL
BSK.27.7	END COVER COMPLETE	ALL
BSK.27.8	CONN ROD COMPLETE (x1)	ALL
BSK.28 (STD)	RING SET STD (x2)	ALL
BSK.30.RP.STD	PISTON SET (x2)	ALL
BSK.76	FILTER & GOVERNOR GASKETS	ALL



OVERSIZES RINGSET & PISTONS

NUMBER	SIZE
BSK.30.RP.010	O.S. +0.25MM
BSK.30.RP.020	O.S. +0.50MM
BSK.30.RP.030	O.S. + 0.75MM
BSK.30.RP.040	O.S. +1.00MM
BSK.28.1	O.S. +0.25MM
BSK.28.2	O.S. +0.50MM
BSK.28.3	O.S. + 0.75MM

TYPE 2W440D (15.5 COMP) REPAIR KITS

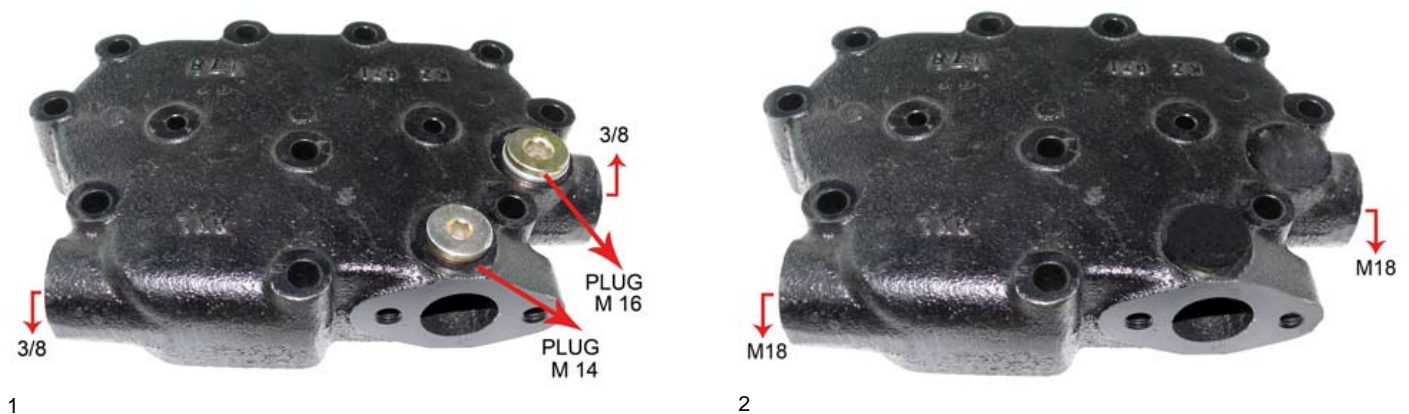
MAIN CASTING



NUMBER	DESCRIPTION	COMPRESSOR	REMARK
1 BSK.120.2	Main casting	KZ.396.2 / KZ.642 / KZ.1228.1	Hole Ø 15.5
2 BSK.120.1	Main casting	KZ.433.1	Hole Ø 15.5
3 BSK.120.6	Main casting	KZ.996	Thread M12x1.5



CYLINDER HEAD



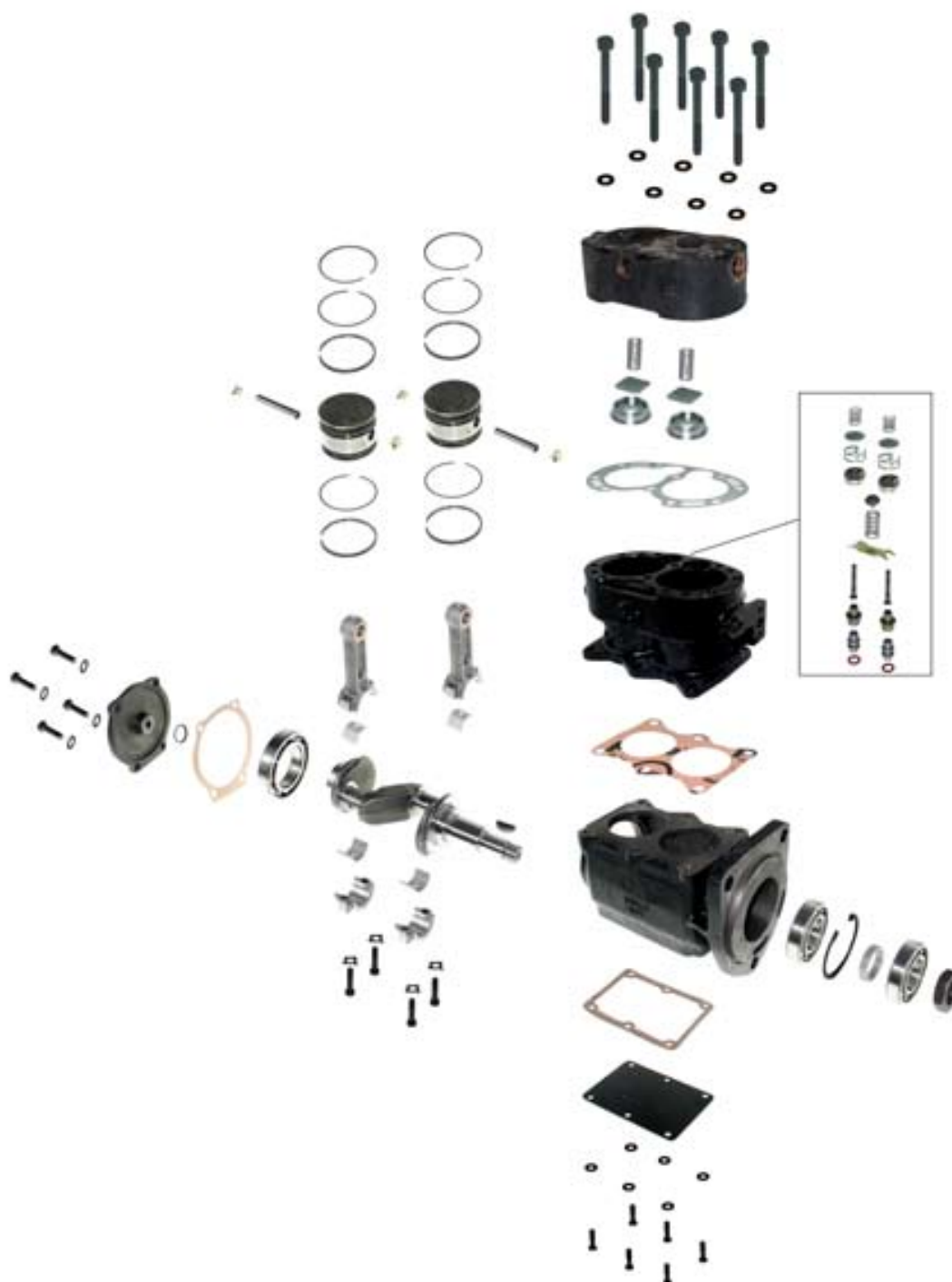
NUMBER	DESCRIPTION	COMPRESSOR	REMARK
1 BSK.123.1	Cylinder head	KZ.433.1 / 396.2	-
1 BSK.123.1	Cylinder head	KZ.1228.1	Remove 1 plug
1 BSK.123.1	Cylinder head	KZ.996	Remove both plugs
2 BSK.123.2	Cylinder head	KZ.642.1	-

The valve plate, valves, valve springs etc... cannot be seen, but are included. Top view is shown to illustrate plug positions per compressor type.



TUFLO 500 & TUFLO 700

NUMBER	OEM N°	OEM	TYPE	BORE
289257	5002295	VOLVO	TF 700	69.85
280737	5001153	VOLVO	TF 500	63.50
271721	571003	SCANIA	TF 500	63.50
272921	1611815	VOLVO	TF 500	63.50
273455	343743	VOLVO	TF 500	63.50



TUFLO 500 & TUFLO 700

REPAIR KITS

DESCRIPTION	TF 700	TF 500
CYLINDER BLOCK COMPLETE	BSK.120.4	BSK.120.5
CRANKSHAFT	BSK.15.CS	BSK.15.CS
DISCHARGE VALVE SEAT (x10)	BSK.15.4	BSK.15.4
CYL HEAD COMPLETE	BSK.15.CH	BSK.15.CH
BEARING 72MM	BSK.128.1	BSK.128.1
BEARING 85MM	BSK.128.2	BSK.128.2
INLET VALVE SEAT (x10)	BSK.15.8	BSK.15.8
MAIN OVERHAUL	BSK.16	BSK.15
CRANKSHAFT OIL RING (x5)	BSK.15.5	BSK.15.5
CONN ROD LOCK WASHER (x20)	BSK.15.9	BSK.15.9
CONN ROD COMPLETE (x1)	BSK.15.CR	BSK.15.CR
PISTON SET ALU(x2)	BSK.22.RP.STD	BSK.11.RP.STD
PISTON SET CAST IRON (x2)	BSK.22.RPF.STD	BSK.11.RPF.STD
RINGSET ALU	BSK.22.R.STD	BSK.11.R.STD
RINGSET CAST IRON	BSK.22.RF.STD	BSK.10.F.STD
C/ROD BEARING 2 LUGS + LUB HOLE	BSK.13	BSK.13
C/ROD BEARING 1 LUG + LUB HOLE	BSK.12	BSK.12
C/ROD BEARING 2 LUGS NO HOLE	BSK.13.A	BSK.13.A
C/ROD BEARING 1 LUG NO HOLE	BSK.12.A	BSK.12.A



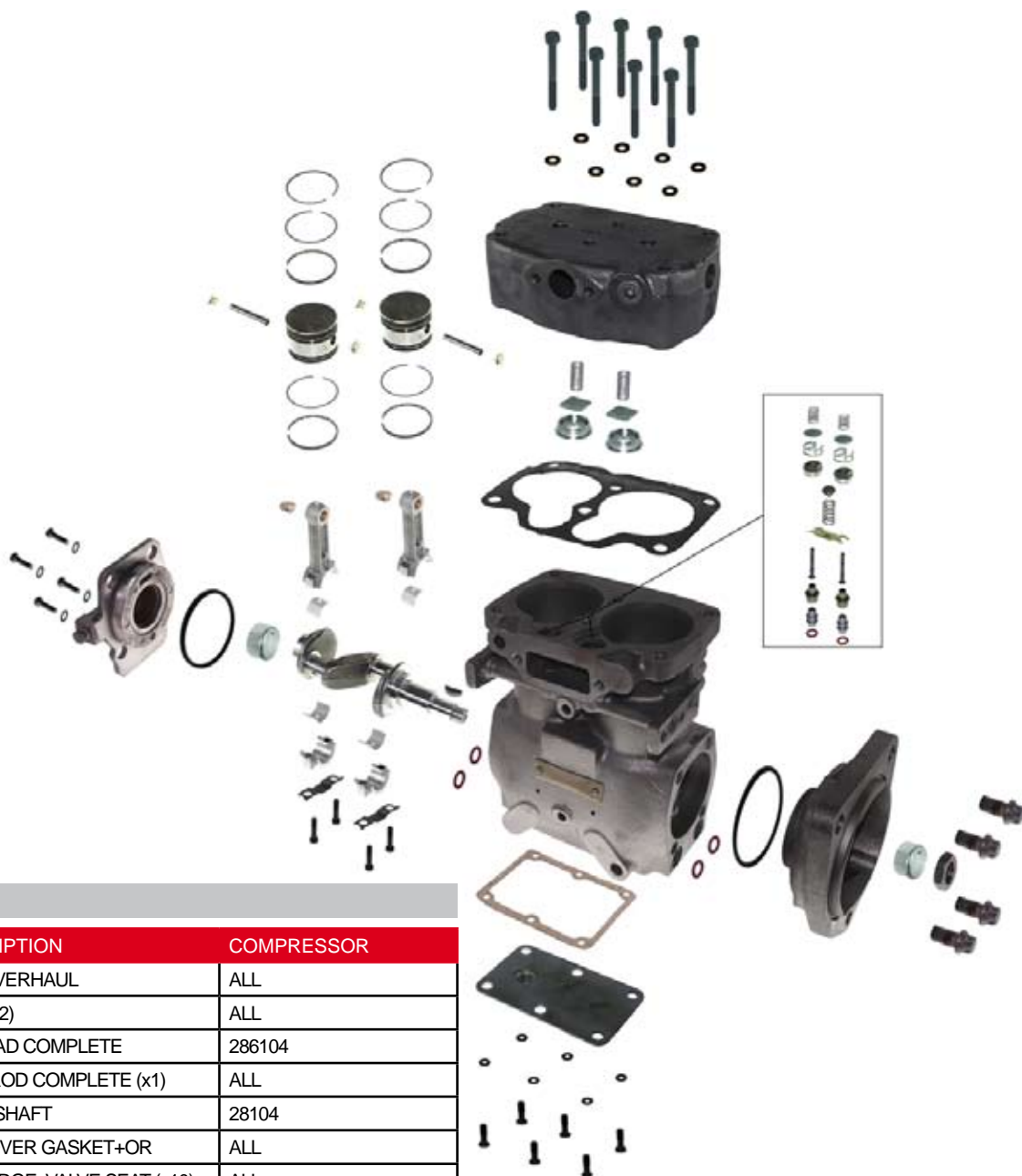
RINGSET & PISTONS



SIZE	Repair kit for TF 700	Repair kit for TF 500
O.S. +0.25MM	BSK.22.RP.010	BSK.11.RP.010
O.S. +0.50MM	BSK.22.RP.020	BSK.11.RP.020
O.S. + 0.75MM	BSK.22.RP.030	BSK.11.RP.030
O.S. + 1.00MM	-	BSK.11.RP.040
O.S. +0.25MM	BSK.22.RPF.010	BSK.11.RPF.010
O.S. +0.50MM	BSK.22.RPF.020	BSK.11.RPF.020

TUFLO 501

NUMBER	OEM N°	OEM
286104	5001477	VOLVO
285977	-	DETROIT DIESEL
286546	7N4014	CATERPILLAR
287034	-	PERKINS



REPAIR KITS

NUMBER	DESCRIPTION	COMPRESSOR
BSK.15.3	MAIN OVERHAUL	ALL
BSK.15.3.BU	BUSH (x2)	ALL
BSK.15.3.CH	CYL HEAD COMPLETE	286104
BSK.15.3.CR	CONN ROD COMPLETE (x1)	ALL
BSK.15.3.CS	CRANKSHAFT	28104
BSK.15.3A	END COVER GASKET+OR	ALL
BSK.15.4	DISCHARGE VALVE SEAT (x10)	ALL
BSK.15.8	INLET VALVE SEAT (x10)	ALL
BSK.15.9	CONN ROD LOCK WASHER (x20)	ALL
BSK.17	C/ROD BEARING	ALL
BSK.18.F	RING SET STD (CAST IRON)	ALL
BSK.19.R.STD	RING SET STD	ALL
BSK.19.RP.STD	PISTON SET STD	ALL
BSK.19.RPF.STD	PISTON SET(CAST IRON)	ALL
BSK.120.3	CRANKCASE COMPLETE	286104 / 286546 / 287034

RINGSET & PISTONS

KIT N°	SIZE
BSK.19.RP.020	O.S. +0.50MM
BSK.19.RP.040	O.S. +1.00MM



DAHL - DAIMLER BENZ - MAN - RVI - MIDLAND - TATRA



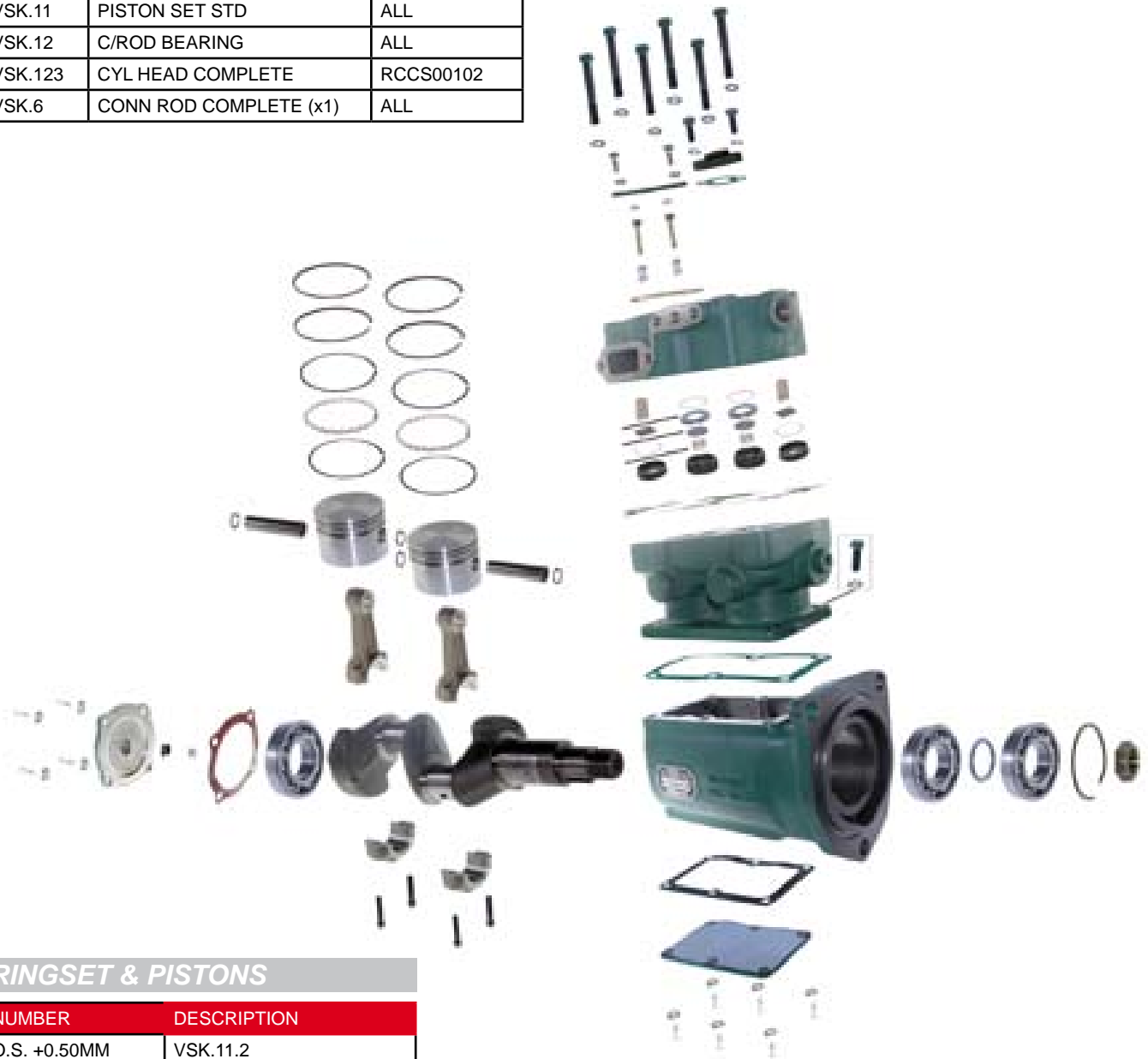
NUMBER	OEM N°	OEM	REPAIR KIT N°	
1	101.3383.000	5000790261	RVI	PDSK.8 / 8R.STD / 8RP...
2	101.3393.000	5000670603	RVI	PDSK.8 / 8R.STD / 8RP...
3	51.54000.7058	407.130 .01.15	DAI / MAN	BOSK.2.C / 2.4 / WSK.93.1 / 97.2 / 97.3 / 97.A / 97.CR / 97.CS
3	BR.400	475.130.01.15	DAI	BOSK.2.C / 2.4 / WSK.93.1 / 97.2 / 97.3 / 97.A / 97.CR / 97.CS
4	51.54000.7074	407.130.05.15	DAI / MAN	BOSK.2.C / 2.4 / WSK.93.1 / 97.2 / 97.3 / 97.W / 97.CR / 97.CS
5	447.130.28.15	447.130.28.15	DAI	BOSK.2.7 / 2.8 / 2.8 P
6	TSK.9.1.C	-	RVI	TSK.9.1 / .9.1.CB / .9.1.CH / .9.R.STD / .9.RP.STD
6	TSK.9.C	-	RVI	TSK.9 / .9CB / .9CH / .9CR / .9.R.STD / .9.RP.STD
7	EL1600	3038354	VOLVO	VSK.1 / 1CB / 6 / 10 / 11 / 12 / 123
8	51.54000.7079	51.54000.7079	MAN	BOSK.2.C / 2.4 / WSK.93.1 / 97.2 / 97.3 / 97.W / 97.CR
9	TSK.120	-	DAI	BOSK.2.9 / 2.9CP / TSK.12.2 / 126 / WSK.118.CR
9	TSK.120.1	-	DAI	BOSK.2.10 / 2.10CP / TSK.12.2 / 126 / WSK.118.CR
10	352.130.06.15	352.130.06.15	DAI	WSK.96.A / 97.C
11	51.54100.7003	51.54100.7003	MAN	WSK.118 / 118.CB / 118.CR / 118.RP.STD
12	51.54114.7002	51.54114.7002	MAN	WSK.102 / 93.1 / 97.W
13	53205.3509015	18-3509015	KAMAZ	KMSK.2 / 120.2 / 123.2
14	5320.3509015	5320.3509015	KAMAZ	KMSK.1 / 120.1 / 123.1
14	5320.3509015	5320.3509015	KAMAZ	KMSK.1 / 120.1 / 123.1
15	341100001	443614031800	TATRA	BOSK.2C / BOSK.2.4 / KMSK.120.3 / 411.033.808

EL1600

NUMBER	OEM N°	OEM	REPAIR KIT N°	TYPE
RCCS00102	3038354	VOLVO	VSK.1 / 1CB / 6 / 10 / 11 / 12 / 123	EL1600
RCCS00031	1678516	SCANIA	VSK.1 / 6 / 10 / 11 / 12	EL1600
RCCS00300	1679437	SCANIA	VSK.1 / 6 / 10 / 11 / 12	EL1600
RCCS00800	-	VW	VSK.1 / 6 / 10 / 11 / 12	EL1300

REPAIR KITS

NUMBER	DESCRIPTION	COMPRESSOR
VSK.1	MAIN OVERHAUL	ALL
VSK.1.CB	CYLINDER BLOCK COMPLETE	RCCS00102
VSK.10	RINGSET STD	ALL
VSK.11	PISTON SET STD	ALL
VSK.12	C/ROD BEARING	ALL
VSK.123	CYL HEAD COMPLETE	RCCS00102
VSK.6	CONN ROD COMPLETE (x1)	ALL



RINGSET & PISTONS

NUMBER	DESCRIPTION
O.S. +0.50MM	VSK.11.2





ORDER THIS PART

THESE NUMBERS

	TYPE	COMPRESSOR	DESCRIPTION	Ref MARELLI	X ref WABCO	OEM n°	OEM
1	AC.61	AC.61		AC.61.ZA	-	4657229	IVE
				ACX.61.ZA	-	98421104	IVE
				ACX.61.ZAG	-	99440231	IVE
				AC.61.ZC	-	4672539	IVE
				ACX.61.ZC	-	98421103	IVE
				ACX.61.ZCG	-	99440229	IVE
1	AC.63	AC.63	Lubrication Via Rear End Cover	AC.63.ZA	-	4658139	IVE
				AC.63.ZAG	-	99440222	IVE
1	AC.63	AC.63.1	Lubrication via Mounting Flange	AC.63.ZB	-	4679624	IVE
				AC.63.ZBG	-	99440223	IVE
3	AC.67	AC.67	Without Rear Flange	AC.67.A		4802547	IVE
				AC.67.AA	911.006.501.0	-	IVE
				ACX.67.A		98421107	IVE
				ACX.67.AA		99440235	IVE
				ACX.67.AAG		4802594	IVE
2	AC.67	AC.67.1	With UpRight Rear Flange	AC.67.BA	-		
				AC.67.BAG	-	9940234	IVE
				ACX.67.BAG	-	98421110	IVE
				ACX.67.BA	-	4802599	IVE
2	AC.67	AC.67.2	With 45° Rear Flange	AC.67.AZ	-	4802599	IVE
				AC.67.AX	-	-	IVE
				AC.67.AZG	-	99440226	IVE
				ACX.67.AZ	-	98464999	IVE
3	AC.68	AC.68	Without ESS	ACX.68.A	911.145.060.0		
				ACX.68.D		500310900	IVE
3	AC.68	AC.68.1	With ESS	ACX.68.AS	911.145.050.0	4863993	IVE
3	AC.69	AC.69	Without ESS	ACX.69.A		98465002	IVE
				ACX.69.CX	911.145.560.0	4854194	IVE
				ACX.69.D		98465001	IVE
				ACX.69.DX		500310901	IVE
3	AC.69	AC.69.1	With ESS	ACX.69.AS	911.145.500.0	4863994	IVE
3	AC.75	AC.75	Lubrication Via Mounting Flange	AC.75.ZB		4873221	IVE
				AC.75.ZD		4797945	IVE
				AC.75.ZF		4802219	IVE
				AC.75.ZG		98421114	IVE
				ACX.75.ZF	911.503.050.0	99440236	IVE
				ACX.75.ZFG		99440237	IVE
				ACX.75.ZGG		-	IVE
				ACX.75.ZM		-	IVE
4	AC.75	AC.75.1	Buses (with Front Oilseal)	AC.75.ZA		99440227	IVE
5	AC.79	AC.79	With UpRight Flange	ACX.79.C	-	99440238	IVE
				AC.79.C	-	98421118	IVE
5	AC.80	AC.80	With UpRight Flange	AC.80.A	-	-	IVE
5	AC.80	AC.80.1		ACX.80.AA-	-	98421120	IVE
5	AC.82	AC.82	-	ACX.82.A	911.506.500.0	98465003	IVE
				ACX.82.AX			
5	AC.82	AC.82.1	With ESS	ACX.82.AS	-	98452939	IVE
6	AC.83	AC.83	Lubrication Via Mounting Flange	ACX.83.B	-	500314094	IVE
				ACX.83.A	-	99476239	IVE
6	AC.83	AC.83.1	ESS Sytem	ACX.83.AS	-	98452955	IVE
6	AC.83	AC.83.2	Sump Oil Return	ACX.83.D	-	500310903	IVE
				ACX.83.DX	-		

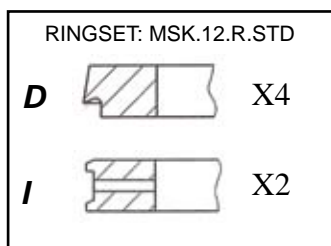
MAIN PISTON TYPES FOR MAGNETTI MARELLI COMPRESSORS

MSK.12.RP.SERIES

2 pistons complete with rings



Application	AC.75 /76 /79
Diameter	Ø 80
Compression height	34 MM
Total height	68.5 MM
Standard:	MSK.12.RP.STD
Oversize +25	MSK.12.RP.010
Oversize +50	MSK.12.RP.020



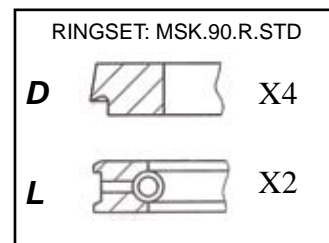
NORMAL PISTON SKIRT

MSK.90.RP.SERIES

2 pistons complete with rings



Application	AC.67/69/80/82
Diameter	Ø 80
Compression height	29 MM
Total height	63.5 MM
Standard:	MSK.90.RP.STD
Oversize +25	MSK.90.RP.010
Oversize +50	MSK.90.RP.020



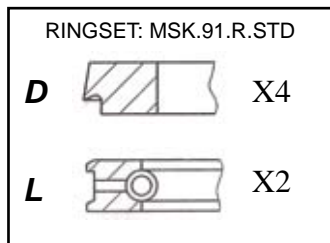
NORMAL PISTON SKIRT

MSK.91.RP.SERIES

2 pistons complete with rings



Application	AC.83 /83.2
Diameter	Ø 82
Compression height	28 MM
Total height	52 MM
Standard:	MSK.91.RP.STD
Oversize +25	MSK.91.RP.010
Oversize +50	MSK.91.RP.020



Replaces MSK.91.STD

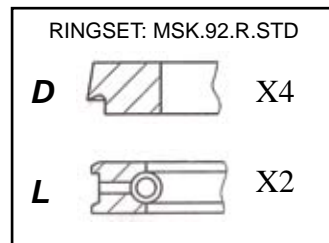
CUT - OFF PISTON SKIRT

MSK.92.RP.SERIES

2 pistons complete with rings



Application	AC.83 /83.2
Diameter	Ø 82
Compression height	28 MM
Total height	52 MM
Standard:	MSK.92.RP.STD
Oversize +25	MSK.92.RP.010
Oversize +50	MSK.92.RP.020



NORMAL PISTON SKIRT

AC.68 pistons are «PDSK», as they are same as used in PAUL DAHL compressors



PISTON + RINGS FOR SMALLER BORE SINGLE CYLINDER UNITS


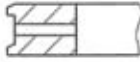
MSK.18.RP.SERIES

2 pistons complete with rings



Application	AC.63
Diameter	Ø 70
Standard	MSK.18.RP.STD
Oversize +50	MSK.18.RP.020
Compression height	29 MM
Total height	55 MM



RINGSET: MSK.18.R.STD		
D		X4
I		X2

NORMAL PISTON SKIRT



MSK.19.RP.SERIES

2 pistons complete with rings



Application	AC.61
Diameter	Ø 65
Compression height	27.9 MM
Total height	53 MM
Standard	MSK.19.RP.STD
Oversize +50	MSK.19.RP.020



RINGSET: MSK.19.R.STD		
D		X4
L		X2

NORMAL PISTON SKIRT



AC.67

NUMBER	OEM N°	OEM
AC.67.AA	4802547	IVE
ACX.67.A	-	IVE
ACX.67.AA	98421107	IVE
ACX.67.AAG	99440235	IVE
AC.67.BA	4802594	IVE
ACX.67.BAG	9940234	IVE
ACX.67.BA	98421110	IVE
AC.67.AZ	4802599	IVE
AC.67.AX	-	IVE
AC.67.AZG	99440226	IVE

REPAIR KITS

NUMBER	DESCRIPTION	COMPRESSOR
MSK.14	VALVE PLATE COMPLETE	ALL
MSK.120.4	CRANKCASE COMPLETE	ALL
MSK.123.1	CYL HEAD COMPLETE	ALL
MSK.14.1	MAIN OVERHAUL	ALL
MSK.121.1	CRANKSHAFT	ACX.67.A / AA / AG
MSK.12.CR	CONN ROD COMPLETE	ALL
MSK.12.C	END COVER	ACX.67.A / AA / AG
MSK.127.2	BUSH	ALL



RINGSET & PISTONS

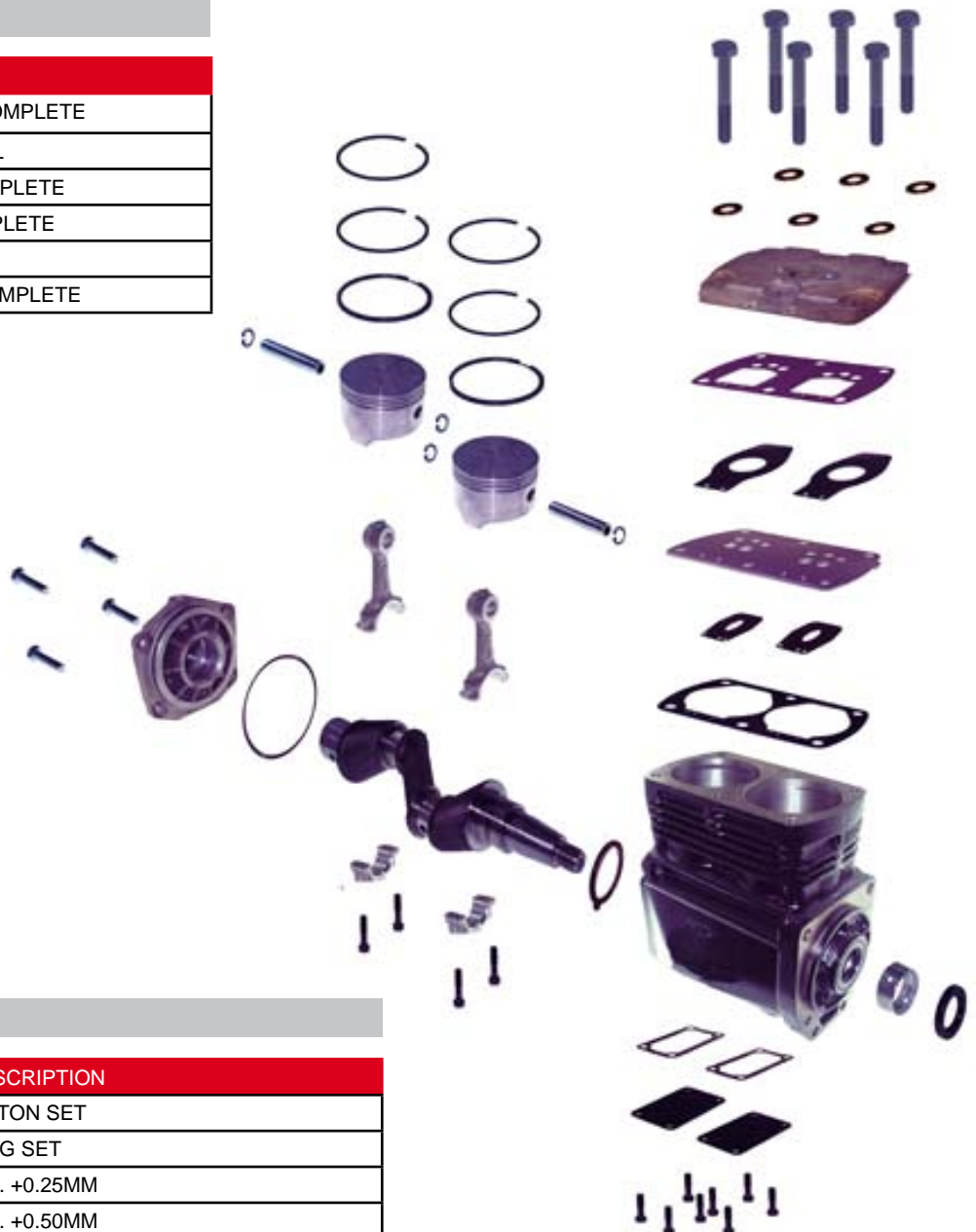
NUMBER	DESCRIPTION	COMPRESSOR
MSK.90.RP.STD	PISTON SET	ALL
MSK.90.R.STD	RING SET	ALL
MSK.90.RP.010	O.S. +0.25MM	ALL
MSK.90.RP.020	O.S. +0.50MM	ALL

AC.75

NUMBER	OEM N°	OEM
AC.75.ZB	4873221	IVE
AC.75.ZF	4797945	IVE
AC.75.ZG	4802219	IVE
ACX.75.ZF	98421114	IVE
ACX.75.ZFG	99440236	IVE
ACX.75.ZGG	99440237	IVE
ACX.75.ZM	-	IVE
ACX.75.ZMG	-	IVE

REPAIR KITS

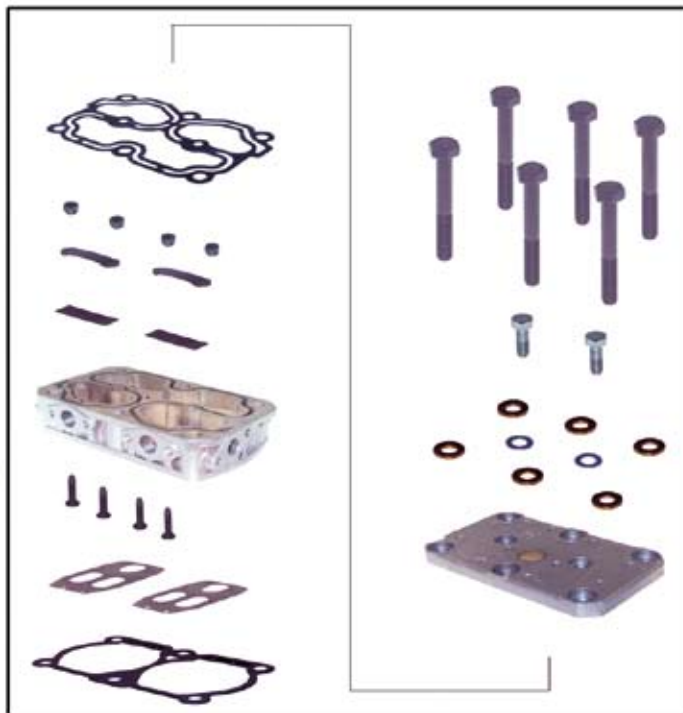
NUMBER	DESCRIPTION
MSK.12	VALVE PLATE COMPLETE
MSK.12.1	MAIN OVERHAUL
MSK.12.CR	CONN ROD COMPLETE
MSK.123.2	CYL HEAD COMPLETE
MSK.127.1	BUSH
MSK.120.1	CRANKCASE COMPLETE



RINGSET & PISTONS

NUMBER	DESCRIPTION
MSK.12.RP.STD	PISTON SET
MSK.12.R.STD	RING SET
MSK.12.RP.010	O.S. +0.25MM
MSK.12.RP.020	O.S. +0.50MM

AC.83



NUMBER	OEM N°
ACX.83.B	500314094
ACX.83.A	99476239
ACX.83.AS	98452955
ACX.83.D	500310903
ACX.83.DX	500329613

REPAIR KITS

NUMBER	DESCRIPTION	COMPRESSOR
MSK.90	MAIN OVERHAUL	ALL
MSK.91.RP.STD	PISTON SET	ACX.87.A / AS / B
MSK.91.R.STD	RING SET	ACX.87.A / AS / B
MSK.92.RP.STD	PISTON SET	ACX.83.D / DX
MSK.92.R.STD	RING SET	ACX.83.D / DX
MSK.90.CH	CYL HEAD COMPLETE	ALL
MSK.90.CS	CRANKSHAFT	ALL
MSK.120.2	CRANKCASE COMPLETE	ACX.83.A / .B
MSK.120.3	CRANKCASE COMPLETE	ACX.83.D

RINGSET & PISTONS

NUMBER	DESCRIPTION	COMPRESSOR
MSK.91.RP.010	O.S. +0.25MM	ACX.87.A / AS / B
MSK.91.RP.020	O.S. +0.50MM	ACX.87.A / AS / B
MSK.92.RP.010	O.S. +0.25MM	ACX.83.D / DX
MSK.92.RP.020	O.S. +0.50MM	ACX.83.D / DX



CUMMINS - HOLSET



1



2



3



4



5



6

	NUMBER	OEM N°	OEM	REPAIR KIT N°
1	3049186	-	CUMMINS	CSK.1 / 1.R.STD / 1.RP.STD / 2
2	3052276	-	CUMMINS	CSK.1 / 1.R.STD / 1.RP.STD / 2
3	3265163	-	CUMMINS	CSK.1 / 1.R.STD / 1.RP.STD / 2
4	3265376	-	CUMMINS	CSK.1 / 1.R.STD / 1.RP.STD / 2
5	3558006	-	CUMMINS	CSK.1 / 1.R.STD / 1.RP.STD / 2
6	3558059	-	CUMMINS	CSK.1 / 1.R.STD / 1.RP.STD / 2

KNORR - SINGLE CYLINDER



N°	OEM N°	OEM	REPAIR KIT N°
1	LK.1300	1261731 IVECO	KSK.94 / 94.1C / 94.BU / 94.CB / 94.CH / 94.CR / 94.CS1
1	LK.1303	1173870 IVECO	KSK.94 / 94.1C / 94.BU / 94.CB / 94.CH / 94.CR / 94.CS1
1	LK.1304	1173873 IVECO	KSK.94 / 94.1C / 94.BU / 94.CB / 94.CH / 94.CR / 94.CS1
2	LK.1305	51.541.017.143 MAN	KSK.94 / 94.1C / 94.BU / 94.CB / 94.CH / 94.CR / 94.CS1
3	LK.1314	1261822 IVECO	KSK.94 / 94.1C / 94.BU / 94.CB / 94.CH / 94.CR / 94.CS1
4	LK.1500	42.522.661 IVE	KSK.94 / 94.1C / 94.BU / 94.CB / 94.CH / 94.CR / 94.CS3
4	LK.1506	51.541.017.165 MAN	KSK.94 / 94.1C / 94.BU / 94.CB / 94.CH / 94.CR / 94.CS4
4	LK.1511	003.131.63.01 DAI	KSK.94 / 94.1C / 94.BU / 94.CB / 94.CH / 94.CR / 94.CS4
4	LK.1532	004.131.19.01 DAI	KSK.94 / 94.1C / 94.BU / 94.CB / 94.CH / 94.CR / 94.CS3
5	LK.1503	1172867 IVE	KSK.94 / 94.1C / 94.BU / 94.CB / 94.CH / 94.CR / 94.CS3
6	LK.1525	272732 DAF	KSK.94 / 94.1C / 94.BU / 94.CB / 94.CH / 94.CR
6	LK.1539	537.989 DAF	KSK.94 / 94.1C / 94.BU / 94.CB / 94.CH / 94.CR
7	LK.1527	004.131.05.01 DAI	KSK.94 / 94.1C / 94.BU / 94.CB / 94.CH / 94.CR / 94.CS4
8	LK.1554	5001845852 RVI	KSK.94 / 94.1C / 94.BU / 94.CB / 94.CH / 94.CR
8	LK.1567	5010.450.535 RVI	KSK.94 / 94.1C / 94.BU / 94.CB / 94.CH / 94.CR
8	LK.1813	004.131.94.01 DAI	KSK.94.CR / 95 / 95.1C / 95.1CH / 95.CS1 / 102.CB / 92.R.STD / 92.RP...
8	LK.1814	004.131.95.01 DAI	KSK.94.CR / 95 / 95.1C / 95.1CH / 102.CB / 92.R.STD / 92.RP...
9	LK.1802	003.131.52.01 DAI	KSK.94.CR / 94.BU / 95 / 95.1C / 95.1CH / 94.CS4 / 102.CB / 92.R.STD / 92.RP...
9	LK.1808	003.131.97.01 DAI	KSK.94.CR / 94.BU / 95 / 95.1C / 95.1CH / 94.CS4 / 102.CB / 92.R.STD / 92.RP...
10	LK.1900	1174473 IVECO	KSK.95 / 95.1C / 95.CB / 95.CC / 95.CH / 95.CR / 95.CS / 95.FC / 94.BU / 92.R.STD / 92.RP...
10	LK.1901	1174472 IVECO	KSK.95 / 95.1C / 95.CB / 95.CC / 95.CH / 95.CR / 95.CS / 95.FC / 94.BU / 92.R.STD / 92.RP...
10	LK.1907	1176579 IVECO	KSK.95 / 95.1C / 95.CB / 95.CC / 95.CH / 95.CR / 95.CS / 95.FC / 94.BU / 92.R.STD / 92.RP...
11	LK.3510	51.541.017.203 MAN	-
12	LK.3832	376.131.74.01 DAI	KSK.100 / 100.1 / 100.BU / 100.CH / 92.R.STD / 92.RP.STD
13	LK.3833	3285923 CUMMINS	KSK.103 / 103.RP.STD / 127.3
14	LK.3802	6772239 VOLVO	KSK.100 / 100.1 / 100.BU / 100.CH / 92.R.STD / 92.RP.STD
14	LK.3813	6795600 VOLVO	KSK.100 / 100.2 / 100.BU / 100.CH / 92.R.STD / 92.RP.STD



KNORR - SINGLE CYLINDER



N°	OEM N°	OEM	REPAIR KIT N°
1	LK.3839 1403939	DAF	KSK.103 / 103.RP.STD / 127.3
2	LK.3846 4898083	CUMMINS	KSK.103 / 103.RP.STD / 127.3
2	LK.3859 3957726	CUMMINS	KSK.103 / 103.RP.STD / 127.3
3	LK.3904 1174474	IVECO	KSK.100 / 100.1 / 100.BU / 100.CH / 92.R.STD / 92.RP.STD
3	LK.3908 1177290	IVECO	KSK.100 / 100.1 / 100.BU / 100.CH / 92.R.STD / 92.RP.STD
5	LK.3927 51.54101.7205	MAN	KSK.100 / 100.1 / 100.BU / 100.CH / 92.R.STD / 92.RP.STD
4	LK.3930 8112583	VOLVO	KSK.99 / 99.1 / 99.BU
5	LK.3980 51.54101.7247	MAN	KSK.100 / 100.1 / 100.BU / 100.CH / 92.R.STD / 92.RP.STD
6	LP.1325 -	-	KSK.94 / 94.1C / 94.BU / 94.CB / 94.CH / 94.CR
7	LP.1327 1172908	IVECO	KSK.94 / 94.1C / 94.BU / 94.CB / 94.CH / 94.CR
8	LP.1527 5000047358	RVI	KSK.94 / 94.1C / 94.BU / 94.CB / 94.CH / 94.CR / 94.CS4
8	LP.1537 5000047359	RVI	KSK.94 / 94.1C / 94.BU / 94.CB / 94.CH / 94.CR / 94.CS3
8	LP.1567 5000684232	RVI	KSK.94 / 94.1C / 94.BU / 94.CB / 94.CH / 94.CR / 94.CS4
9	LP.1568 5.000.684.233	RVI	KSK.94 / 94.1C / 94.BU / 94.CB / 94.CH / 94.CR
9	LP.1585 5000133725	RVI	KSK.94 / 94.1C / 94.BU / 94.CB / 94.CH / 94.CR / 94.CS4
9	LP.1588 5000134408	RVI	KSK.94 / 94.1C / 94.BU / 94.CB / 94.CH / 94.CR / 94.CS4
10	LP.1587 4880921	VOL	KSK.94 / 94.1C / 94.BU / 94.CB / 94.CH / 94.CR / 94.CS3
11	LP.1596 5000676034	RVI	KSK.94 / 94.1C / 94.BU / 94.CB / 94.CH / 94.CR
12	LP.1828 002.131.36.01	DAI	KSK.95 / 95.1C / 95.CH / 95.CR / 92.R.STD / 92.RP...
14	LP.1880 5000134999	RVI	KSK.95 / 95.1C / 95.CB / 95.CH / 92.R.STD / 92.RP...
13	LP.1969 5000788089	RVI	KSK.95 / 95.1C / 95.CH / 92.R.STD / 92.RP...
15	LP.1847 5000044336	RVI	KSK.95 / 95.1C / 95.CH / 92.R.STD / 92.RP...
14	LP.1983 1260305	IVECO	KSK.95 / 95.1C / 95.CH / 92.R.STD / 92.RP...
15	LP.3821 5000552483	RVI	KSK.102 / 102.B / 102.CB
16	LP.3832 5000790215	RVI	KSK.101 101.1 / 101.BU / 91.R.STD / 91.RP...
17	LP.3842 5000997228	RVI	KSK.102 / 102.B / 102.CB

LK.1314

NUMBER	OEM N°	OEM
LK.1300	1261731	IVECO
LK.1303	1173870	IVECO
LK.1304	1173873	IVECO
LK.1305	51.54101.7143	MAN
LK.1314	1261822	IVECO

REPAIR KITS

NUMBER	DESCRIPTION	APPLICATION
KSK.94	MAIN OVERHAUL	ALL
KSK.94.1C	PLATE COMPLETE	ALL
KSK.94.BU	BUSH	ALL
KSK.94.CH	CYL HEAD COMPLETE	ALL
KSK.94.CR	CONN ROD COMPLETE	ALL
KSK.64.CB	CYLINDER BLOCK	ALL
KSK.94.CS1	CRANKSHAFT	ALL

RINGSET & PISTONS

NUMBER	DESCRIPTION
KSK.94.RP.STD	PISTON COMPLETE
KSK.94.R3.STD	RING SET



LK.1527

NUMBER	OEM N°	OEM
LK.1511	003.131.63.01	DAI
LK.1527	004.131.05.01	DAI
LK.1506	51.54101.7165	MAN
LP.1527	5000047358	RVI
LP.1567	5000684232	RVI
LP.1585	5000133725	RVI
LP.1588	5000134408	RVI

REPAIR KITS

NUMBER	DESCRIPTION	APPLICATION
KSK.94	MAIN OVERHAUL	ALL
KSK.94.1C	PLATE COMPLETE	ALL
KSK.94.BU	BUSH	ALL
KSK.94.CH	CYL HEAD COMPLETE	ALL
KSK.94.CR	CONN ROD COMPLETE	ALL
KSK.64.CB	CYLINDER BLOCK	ALL
KSK.94.CS4	CRANKSHAFT	ALL

RINGSET & PISTONS

NUMBER	DESCRIPTION
KSK.94.RP.STD	PISTON COMPLETE
KSK.94.R3.STD	RING SET



LK.1813

NUMBER	OEM N°	OEM
LK.1813	004.131.94.01	DAI
LK.1814	004.131.95.01	DAI

REPAIR KITS

NUMBER	DESCRIPTION	APPLICATION
KSK.95	MAIN OVERHAUL	LK.1813/1814
KSK.95.1C	PLATE COMPLETE	LK.1813/1814
KSK.94.BU	BUSH	LK.1813/1814
KSK.95.1CH	CYL HEAD COMPLETE	LK.1813/1814
KSK.94.CR	CONN ROD COMPLETE	LK.1813/1814
KSK.102.CB	CYLINDER BLOCK	LK.1813/1814
KSK.95.CS1	CRANKSHAFT	LK1813



RINGSET & PISTONS

NUMBER	DESCRIPTION
KSK.92.RP.STD	PISTON COMPLETE
KSK.92.R.STD	RING SET



LK.1901

NUMBER	OEM N°	OEM
LK.1900	1174473	IVECO
LK.1901	1174472	IVECO
LK.1907	1176579	IVECO



REPAIR KITS

NUMBER	DESCRIPTION	APPLICATION
KSK.94.BU	BUSH	ALL
KSK.95	MAIN OVERHAUL	ALL
KSK.95.1C	PLATE COMPLETE	ALL
KSK.95.CB	CYLINDER BLOCK	ALL
KSK.95.CC	CRANKCASE	ALL
KSK.95.CH	CYL HEAD COMPLETE	ALL
KSK.95.CR	CONN ROD COMPLETE	ALL
KSK.95.CS	CRANKSHAFT	ALL
KSK.95.FC	FRONT COVER	ALL

RINGSET & PISTONS

NUMBER	DESCRIPTION
KSK.92.R.STD	RING SET
KSK.92.RP.STD	PISTON COMPLETE



LK.3833

NUMBER	OEM N°	OEM
LK.3833	3285923	CUMMINS



REPAIR KITS

NUMBER	DESCRIPTION
KSK.103	MAIN OVERHAUL
KSK.103.RP.STD	PISTON COMPLETE
KSK.127.3	BUSH

RINGSET & PISTONS

NUMBER	DESCRIPTION
KSK.103.RP.STD	PISTON COMPLETE



KNORR - TWIN CYLINDER



N°	OEM N°	OEM	REPAIR KIT N°	
1	LP.4812	5003217	VOL	KSK.9.2C / 9.2C.CP / 9.2C.CR / 9.R.STD / 9.RP... / 120.1 / 122.1 / 123.2 / 127.3 / 129.1
2	LP.4813	56048060	VOL	KSK.9.2C / 9.2C.CP / 9.2C.CR / 9.R.STD / 9.RP... / 120.1 / 122.1 / 123.2 / 127.3 / 129.1
3	LP.4814	1303226	SCA	KSK.9.2C / 9.2C.CP / 9.2C.CR / 9.R.STD / 9.RP... / 120.1 / 122.1 / 123.2A / 127.3 / 129.1
4	LP.4815	571184	SCA	KSK.9.2C / 9.2C.CP / 9.2C.CR / 9.R.STD / 9.RP... / 120.1 / 122.1 / 123.2A / 127.3 / 129.1
5	LP.4823	1321470	DAF	KSK.9.2D / 9.2D.CP / 9.2C.CR / 122.1 / 127.3 / 9.R.STD / 9.RP...
6	LP.4825	8150407	VOL	KSK.9.2E / 9.2E.P / 9.2E.CP / 9.2C.CR / 120.2 / 122.1 / 123.1 / 127.2 / 129.1 / 9.R.STD / 9.RP...
7	LP.4827	5000694824	RVI	KSK.9.2H / 127.5 / 91.R.STD / 91.RP...
8	LP.4830	1396291	DAF	KSK.9.2D / 9.2D.CP / 9.2C.CR / 127.3 / 9.R.STD / 9.RP...
9	LP.4832	5000694727	RVI	KSK.70 / 70.R.STD / 70.RP...
10	LP.4861	4929797	CUM	KSK.9.2I / 93.R.STD / 93.RP...
10	LP.4863	658414	DEN	KSK.9.2I / 93.R.STD / 93.RP...
10	LP.4842	OE52488	PER	KSK.9.2C / 9.2C.CP / 9.2C.CR / 9.R.STD / 9.RP...
10	LP.4852	1181453	IVE	KSK.9.2C / 9.2C.CP / 9.2C.CR / 9.R.STD / 9.RP...
10	LP.4865	3977147	CUM	KSK.9.2I / 93.R.STD / 93.RP...
11	LP.4844	1381951	SCA	KSK.9.2C / 9.2C.CP / 9.2C.CR / 9.R.STD / 9.RP... / 122.1 / 123.2A / 127.3
12	LP.4843	5010330146	RVI	KSK.9.2H / 91.R.STD / 91.RP...
12	LP.4855	5010258169	RVI	KSK.9.2H / 91.R.STD / 91.RP...
12	LP.4845	5001856588	RVI	KSK.9.2H / 127.5 / 91.R.STD / 91.RP...
12	LP.4846	5010323293	RVI	KSK.9.2H / 127.5 / 91.R.STD / 91.RP...
12	LP.4851	5010339859	RVI	KSK.9.2H / 127.5 / 91.R.STD / 91.RP...



KNORR - TWIN CYLINDER



N°	OEM N°	OEM	REPAIR KIT N°	
13	LP.4850	8129779	VOL	KSK.9.2D / 9.2D.CP / 9.2C.CR / 122.1 / 127.3 / 9.R.STD / 9.RP...
14	LP.4857	41211339	IVE	KSK.9.2I / 93.R.STD / 93.RP...
14	LK.4927	4227086	IVE	KSK.9.2G / 9.2G.CP / 92.R.STD / 92.RP...
15	LK.4918	8113633	VOL	KSK.9.2G / 9.2G.CP / 92.R.STD / 92.RP...
16	LK.4919	85000081	VOL	KSK.9.2G / 9.2G.CP / 92.R.STD / 92.RP...
16	LK.4920	85000196	VOL	KSK.9.2G / 9.2G.CP / 92.R.STD / 92.RP...
17	LK.4921	8113634	VOL	KSK.9.2G / 9.2G.CP / 92.R.STD / 92.RP...
17	LK.4922	85000084	VOL	KSK.9.2G / 9.2G.CP / 92.R.STD / 92.RP...
18	LK.4928	51.541.007.024	MAN	KSK.92.R.STD / 92.RP...
18	LK.4931	51.541.007.029	MAN	KSK.92.R.STD / 92.RP...
18	LK.4932	51.541.007.041	MAN	KSK.92.R.STD / 92.RP...
18	LK.4934	51.541.007.065	MAN	KSK.92.R.STD / 92.RP...
18	LK.4935	504079461	IVE	KSK.9.2I / 93.R.STD / 93.RP...
18	LK.4936	41211340	IVE	KSK.9.2I / 93.R.STD / 93.RP...
18	LK.4939	51.541.007.069	MAN	KSK.92.R.STD / 92.RP...
19	LK.4937	500388057	IVE	KSK.9.2I / 93.R.STD / 93.RP...
19	LK.4952	504079460	IVE	KSK.9.2I / 93.R.STD / 93.RP...
20	LK.4941	1728435	SCA	KSK.9.2F / 9.2F.CR / 9.2G.BU / 9.2J.CH / 9.2J.CS / 92.R.STD / 92.RP...
21	LP.4930	8112584	VOL	KSK.9.2F / 9.2.CF / 9.2F.CP / 9.2F.CR / 9.2F.P / 120.3 / 122.3 / 123.3 / 92.R.STD / 92.RP...
22	LP.4934	8112543	VOL	KSK.9.2F / 9.2.CF / 9.2F.CP / 9.2F.CR / 9.2F.P / 120.4 / 122.2 / 123.3 / 92.R.STD / 92.RP...
23	LP.4939	5000694443	RVI	PDSK.8 / 8.R.STD / 8.RP...
24	LP.4941	5000694444	RVI	PDSK.8 / 8.R.STD / 8.RP...
24	LP.4942	5001850670	RVI	PDSK.8 / 8.R.STD / 8.RP...
24	LP.4943	5000694446	RVI	PDSK.8 / 8.R.STD / 8.RP...
24	LP.4944	5000691880	RVI	PDSK.8 / 8.R.STD / 8.RP... / MSK.127.1



KNORR - TWIN CYLINDER



N°	OEM N°	OEM	REPAIR KIT N°	
25	LP.4949	3118286	VOL	KSK.9.2F / 9.2F.CR / 9.2F.CP / 92.R.STD / 92.RP...
26	LP.4957	1349094	SCA	KSK.9.2F / 9.2.CF / 9.2F.CP / 9.2F.CR / 9.2F.P / 120.5 / 123.7 / 92.R.STD / 92.RP...
26	LP.4961	1180445	IVE	KSK.9.2F / 9.2F.CR / 9.2F.CP / 92.R.STD / 92.RP...
26	LP.4962	1375867	SCA	KSK.9.2F / 9.2.CF / 9.2F.CP / 9.2F.CR / 9.2F.P / 9.2J.CH / 92.R.STD / 92.RP...
26	LP.4963	1380456	SCA	KSK.9.2F / 9.2F.CR / 9.2F.CP / 92.R.STD / 92.RP...
27	LP.4960	8157550	VOL	KSK.9.2F / 9.2.CF / 9.2F.CP / 9.2F.CR / 9.2F.P / 123.3 / 92.R.STD / 92.RP...
28	LP.4964	1380455	SCA	KSK.9.2F / 9.2.CF / 9.2F.CP / 9.2F.CR / 9.2F.P / 120.6 / 92.R.STD / 92.RP...
29	LP.4965	571287	SCA	KSK.9.2F / 9.2.CF / 9.2F.CP / 9.2F.CR / 9.2F.P / 9.2J.CH / 92.R.STD / 92.RP...
29	LP.4966	1379066	SCA	KSK.9.2F / 9.2F.CR / 9.2F.CP / 92.R.STD / 92.RP...
30	LP.4967	9521675	VOL	KSK.9.2F / 9.2.CF / 9.2F.CP / 9.2F.CR / 9.2F.P / 120.7 / 122.2 / 123.3 / 92.R.STD / 92.RP...
31	LP.4968	8113053	VOL	KSK.9.2F / 9.2.CF / 9.2F.CP / 9.2F.CR / 9.2F.P / 120.7 / 123.3 / 92.R.STD / 92.RP...
32	LP.4969	1320400	DAF	KSK.9.2G / 9.2G.CP / 92.R.STD / 92.RP...
32	LP.4970	1320401	DAF	KSK.9.2G / 9.2G.CP / 92.R.STD / 92.RP...
33	LP.4974	8113264	VOL	KSK.9.2F / 9.2.CF / 9.2F.CP / 9.2F.CR / 9.2F.P / 120.3 / 122.3 / 123.3 / 92.R.STD / 92.RP...
34	LP.4984	1396283	SCA	KSK.9.2G / 9.2G.CP / 92.R.STD / 92.RP...
35	LP.4985	8113405	VOL	KSK.9.2G / 9.2G.CP / 9.2G.BU / 9.2F.CR / 120.7 / 122.5 / 123.5 / 92.R.STD / 92.RP...
35	LP.4986	3193734	VOL	KSK.9.2G / 9.2G.CP / 92.R.STD / 92.RP...
35	LP.4991	70303442	VOL	KSK.9.2G / 9.2G.CP / 92.R.STD / 92.RP...
35	LP.4992	8113592	VOL	KSK.9.2G / 9.2G.CP / 9.2G.BU / 9.2F.CR / 9.2.CF / 120.3 / 122.5 / 123.5 / 92.R.STD / 92.RP...
35	LP.4993	70303443	VOL	KSK.9.2G / 9.2G.CP / 92.R.STD / 92.RP...
35	LP.4996	8113567	VOL	KSK.9.2G / 9.2G.CP / 92.R.STD / 92.RP...
36	LP.4987	8113483	VOL	KSK.9.2G / 9.2G.CP / 92.R.STD / 92.RP...
36	LP.4994	70303444	VOL	KSK.9.2G / 9.2G.CP / 92.R.STD / 92.RP...
37	LK.4930	1745702	SCA	KSK.9.2K / 92.R.STD / 92.RP...
38	LP.4977	23524143	DET	KSK.9.2F / 9.2F.CR / 9.2F.CP / 92.R.STD / 92.RP...

LP.4812

NUMBER	OEM N°	OEM
LP.4812	5003217	VOL
LP.4813	56048060	VOL
LP.4814	1303226	SCA
LP.4815	571184	SCA
LP.4844	1381951	SCA

RINGSET & PISTONS

NUMBER	DESCRIPTION
KSK.9.R.STD	RING SET
KSK.9.RP.STD	PISTON SET
KSK.9.RP.010	O.S. +0.25MM
KSK.9.RP.020	O.S. +0.50MM
KSK.9.RP.040	O.S. +1.00MM



REPAIR KITS

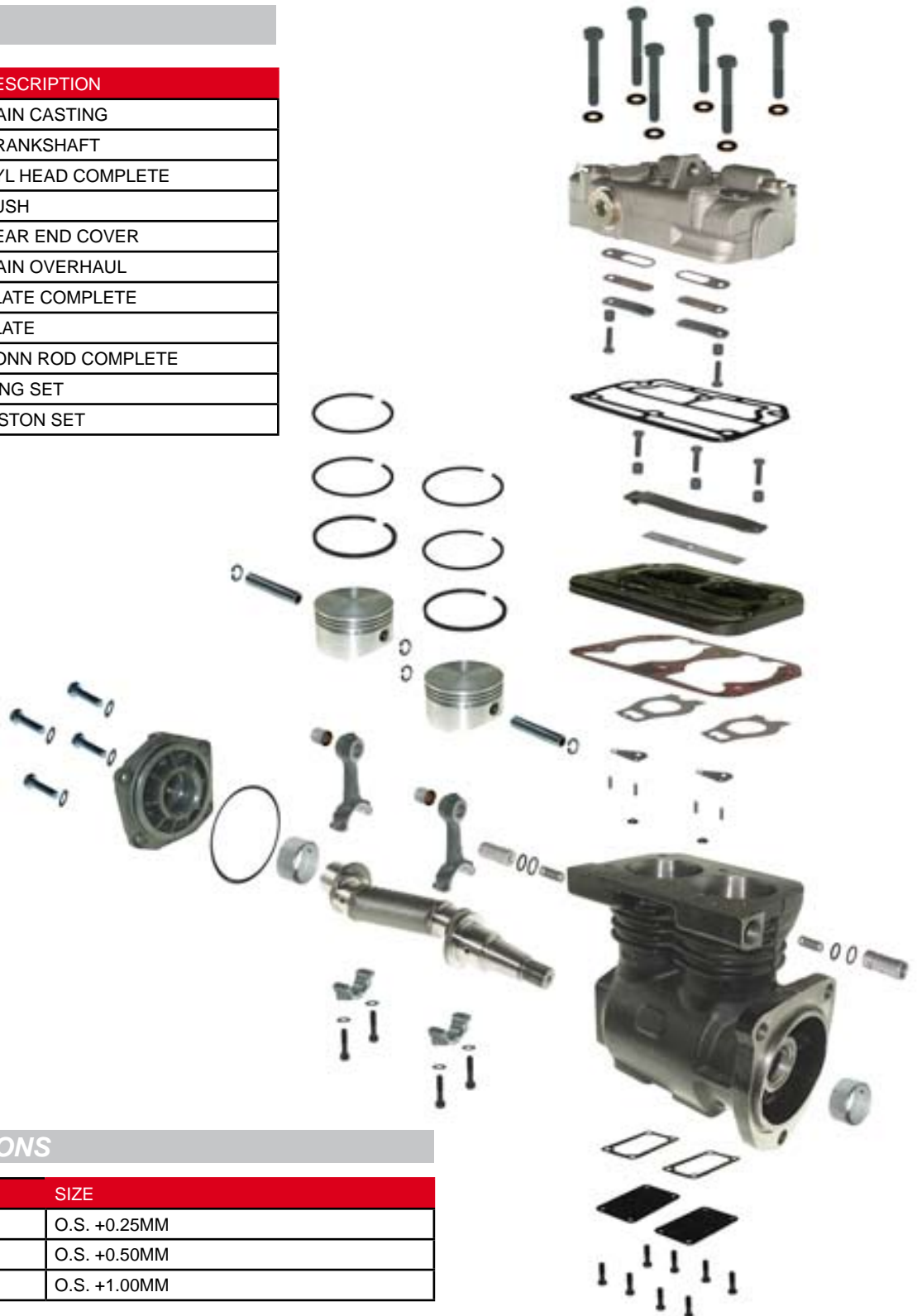
NUMBER	DESCRIPTION	APPLICATION
KSK.120.1	MAIN CASTING	LP.4812 / 4813 / 4814 / 4815
KSK.122.1	CRANKSHAFT	ALL
KSK.123.2	CYL HEAD COMPLETE	LP.4812 / 4813
KSK.123.2A	CYL HEAD COMPLETE	LP.4814 / 4815 / 4844
KSK.127.3	BUSH	ALL
KSK.129.1	REAR END COVER	ALL
KSK.9.2C	MAIN OVERHAUL	ALL
KSK.9.2C.CP	PLATE COMPLETE	ALL
KSK.9.2C.CR	CONN ROD COMPLETE	ALL
KSK.9.R.STD	RING SET	ALL
KSK.9.RP.STD	PISTON SET	ALL

LP.4825

NUMBER	OEM N°	OEM
LP.4825	8150407	VOL

REPAIR KITS

NUMBER	DESCRIPTION
KSK.120.2	MAIN CASTING
KSK.122.1	CRANKSHAFT
KSK.123.1	CYL HEAD COMPLETE
KSK.127.2	BUSH
KSK.129.1	REAR END COVER
KSK.9.2E	MAIN OVERHAUL
KSK.9.2E.CP	PLATE COMPLETE
KSK.9.2E.P	PLATE
KSK.9.2C.CR	CONN ROD COMPLETE
KSK.9.R.STD	RING SET
KSK.9.RP.STD	PISTON SET



RINGSET & PISTONS

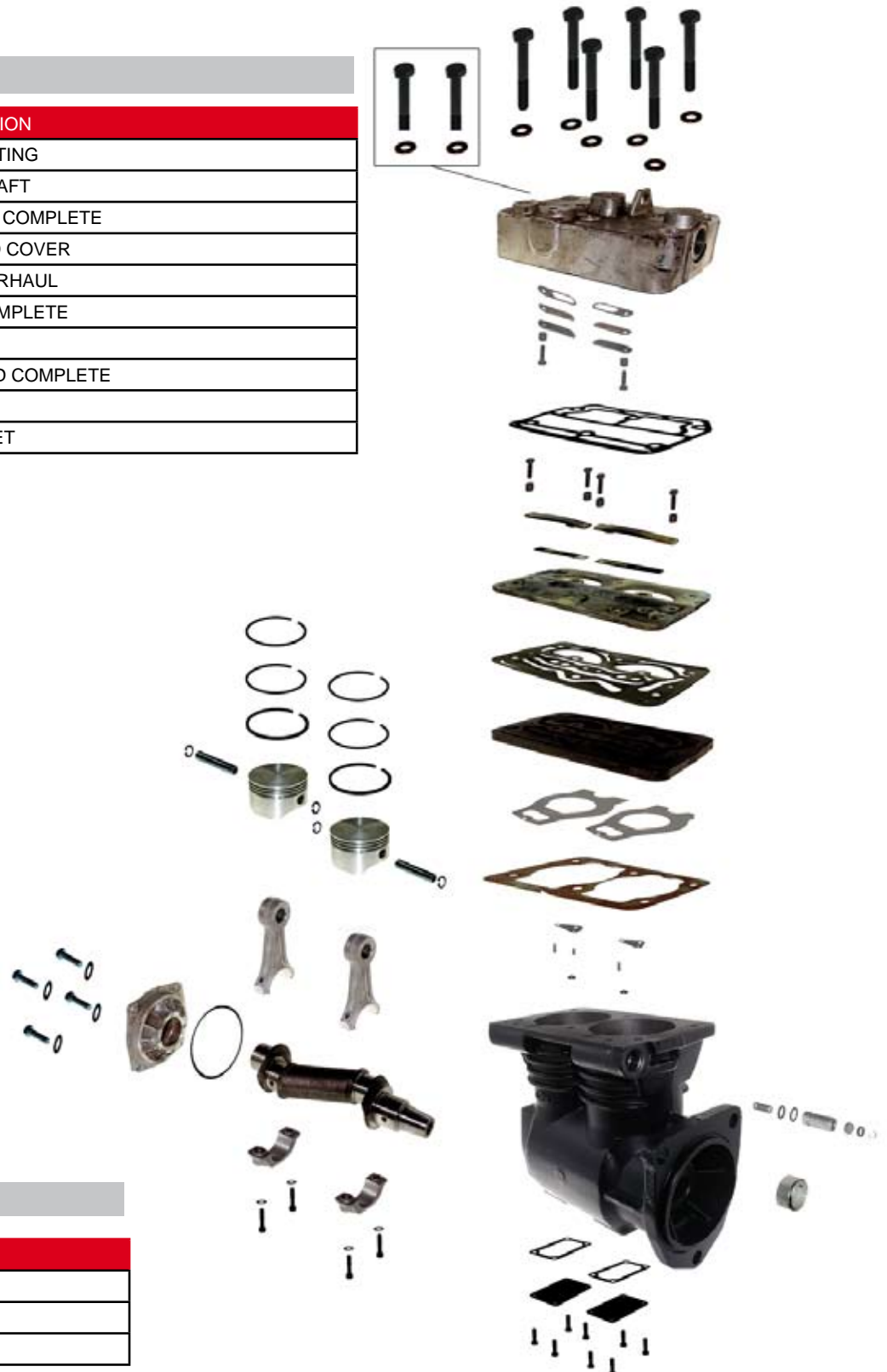
NUMBER	SIZE
KSK.9.RP.010	O.S. +0.25MM
KSK.9.RP.020	O.S. +0.50MM
KSK.9.RP.040	O.S. +1.00MM

LP.4934

NUMBER	OEM N°	OEM
LP.4934	8112543	VOL

REPAIR KITS

NUMBER	DESCRIPTION
KSK.120.4	MAIN CASTING
KSK.122.2	CRANKSHAFT
KSK.123.3	CYL HEAD COMPLETE
KSK.9.2.CF	REAR END COVER
KSK.9.2F	MAIN OVERHAUL
KSK.9.2F.CP	PLATE COMPLETE
KSK.9.2F.P	PLATE
KSK.9.2F.CR	CONN ROD COMPLETE
KSK.92.R.STD	RING SET
KSK.92.RP.STD	PISTON SET



RINGSET & PISTONS

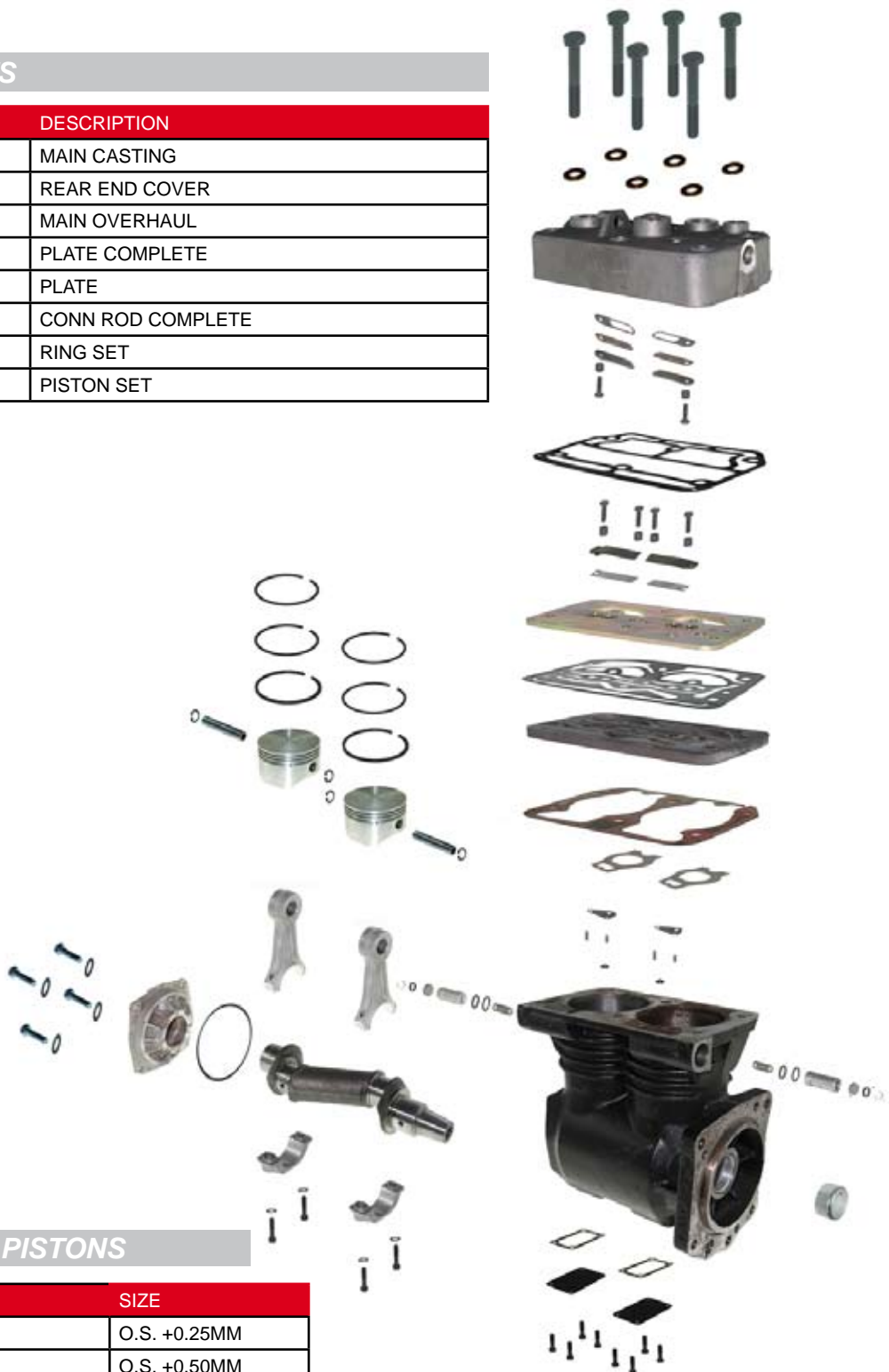
NUMBER	SIZE
KSK.92.RP.010	O.S. +0.25MM
KSK.92.RP.020	O.S. +0.50MM
KSK.92.RP.040	O.S. +1.00MM

LP.4964

NUMBER	OEM N°	OEM
LP.4964	1380455	SCA

REPAIR KITS

NUMBER	DESCRIPTION
KSK.120.6	MAIN CASTING
KSK.9.2.CF	REAR END COVER
KSK.9.2F	MAIN OVERHAUL
KSK.9.2F.CP	PLATE COMPLETE
KSK.9.2F.P	PLATE
KSK.9.2F.CR	CONN ROD COMPLETE
KSK.92.R.STD	RING SET
KSK.92.RP.STD	PISTON SET



RINGSET & PISTONS

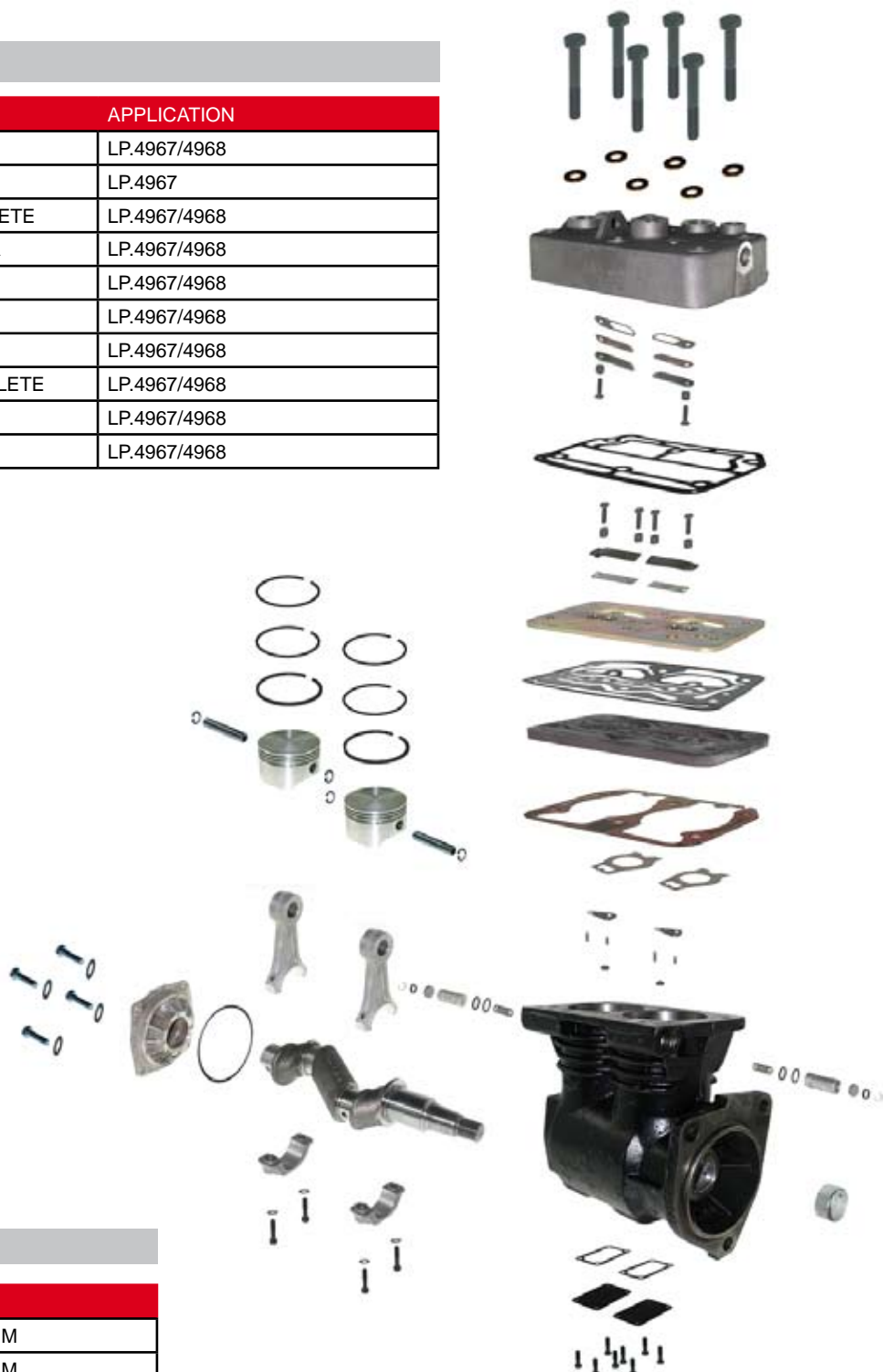
NUMBER	SIZE
KSK.92.RP.010	O.S. +0.25MM
KSK.92.RP.020	O.S. +0.50MM
KSK.92.RP.040	O.S. +1.00MM

LP.4967

NUMBER	OEM N°	OEM
LP.4967	9521675	VOL
LP.4968	8113053	VOL

REPAIR KITS

NUMBER	DESCRIPTION	APPLICATION
KSK.120.7	MAIN CASTING	LP.4967/4968
KSK.122.2	CRANKSHAFT	LP.4967
KSK.123.3	CYL HEAD COMPLETE	LP.4967/4968
KSK.9.2.CF	REAR END COVER	LP.4967/4968
KSK.9.2F	MAIN OVERHAUL	LP.4967/4968
KSK.9.2F.CP	PLATE COMPLETE	LP.4967/4968
KSK.9.2F.P	PLATE	LP.4967/4968
KSK.9.2F.CR	CONN ROD COMPLETE	LP.4967/4968
KSK.92.R.STD	RING SET	LP.4967/4968
KSK.92.RP.STD	PISTON SET	LP.4967/4968



RINGSET & PISTONS

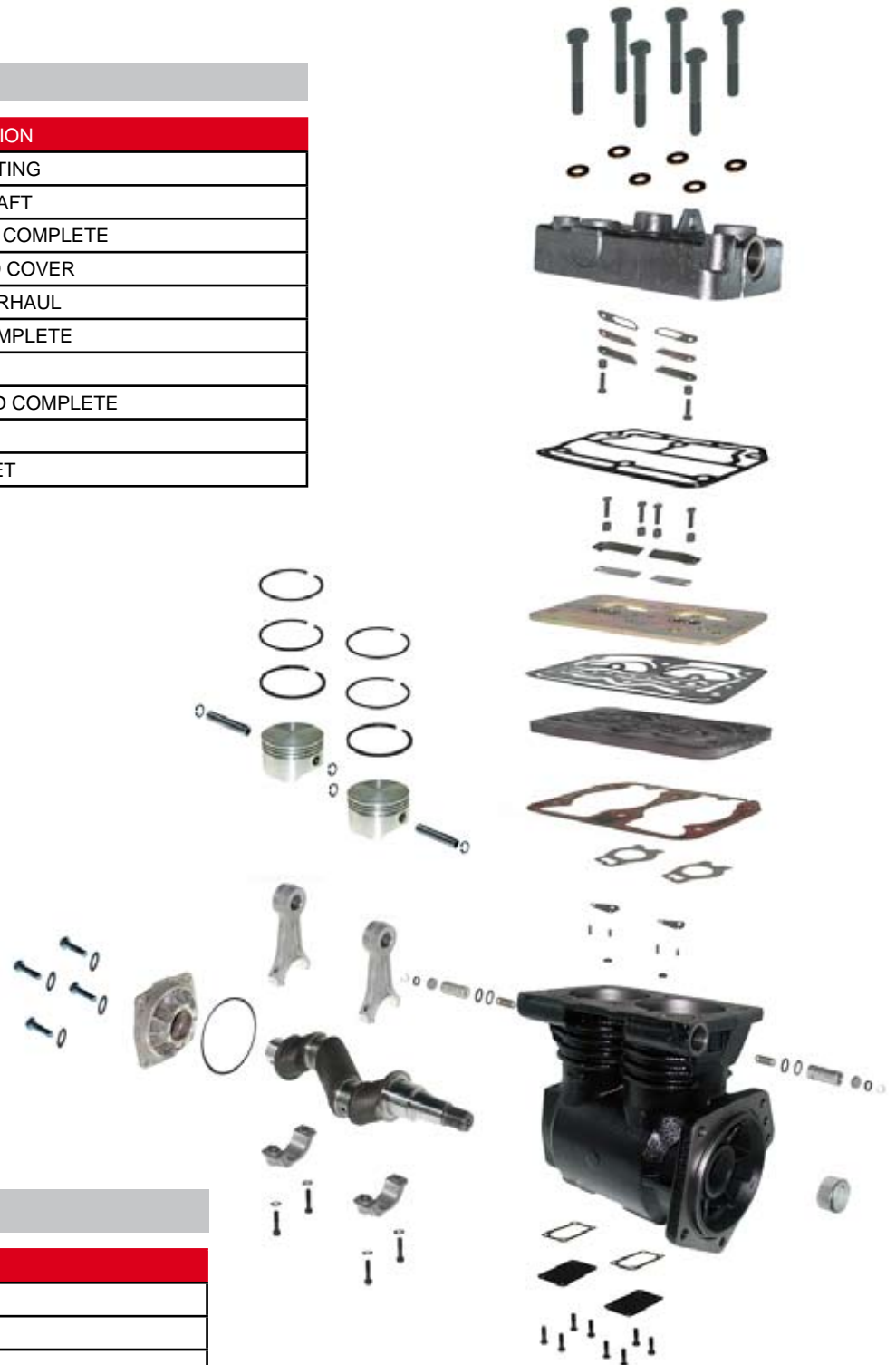
NUMBER	SIZE
KSK.92.RP.010	O.S. +0.25MM
KSK.92.RP.020	O.S. +0.50MM
KSK.92.RP.040	O.S. +1.00MM

LP.4974

NUMBER	OEM N°	OEM
LP.4930	8112584	VOL
LP.4974	8113264	VOL

REPAIR KITS

NUMBER	DESCRIPTION
KSK.120.3	MAIN CASTING
KSK.122.3	CRANKSHAFT
KSK.123.3	CYL HEAD COMPLETE
KSK.9.2.CF	REAR END COVER
KSK.9.2F	MAIN OVERHAUL
KSK.9.2F.CP	PLATE COMPLETE
KSK.9.2F.P	PLATE
KSK.9.2F.CR	CONN ROD COMPLETE
KSK.92.R.STD	RING SET
KSK.92.RP.STD	PISTON SET



RINGSET & PISTONS

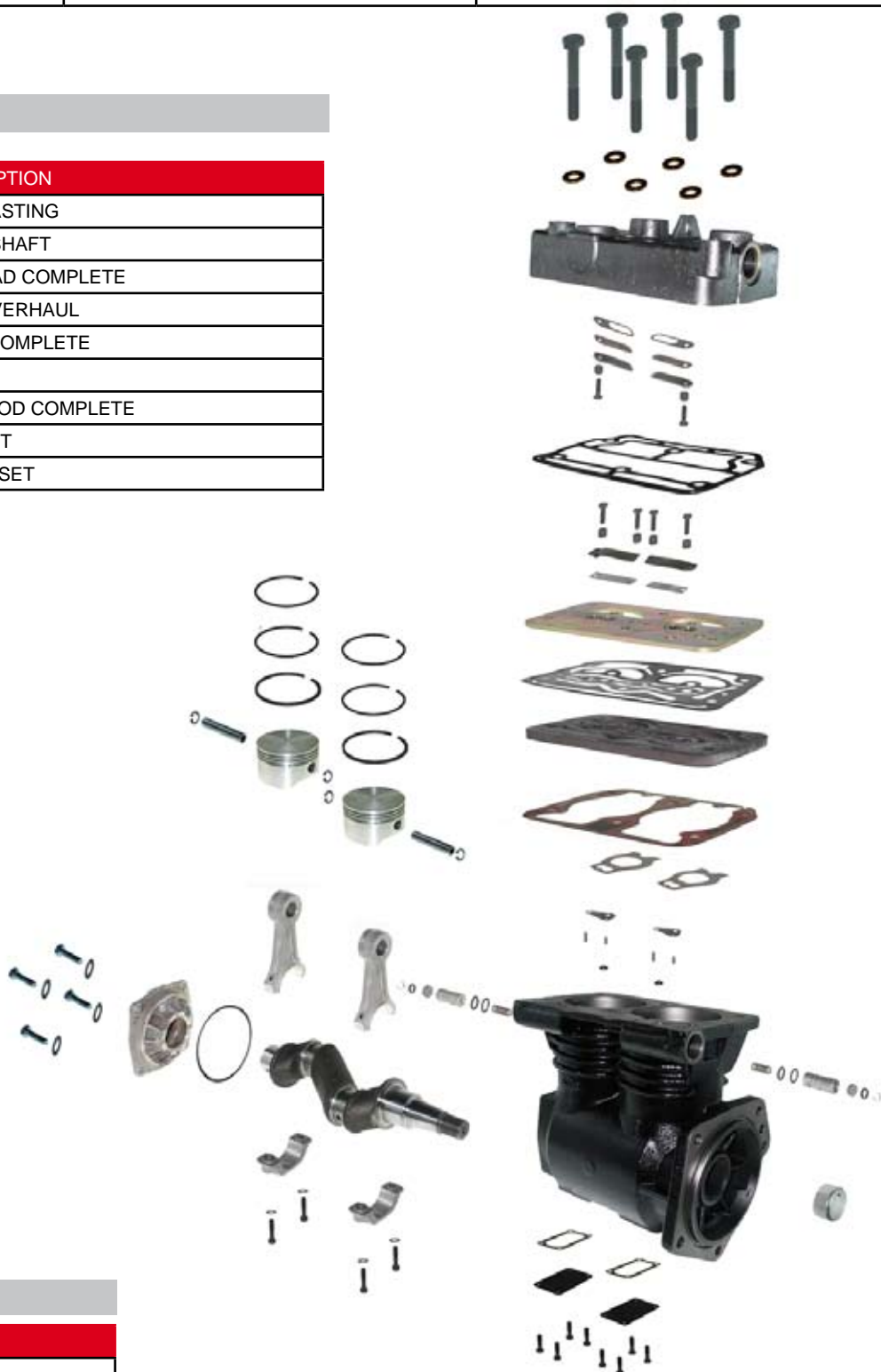
NUMBER	SIZE
KSK.92.RP.010	O.S. +0.25MM
KSK.92.RP.020	O.S. +0.50MM
KSK.92.RP.040	O.S. +1.00MM

LP.4985

NUMBER	OEM N°	OEM
LP.4985	8113405	VOL

REPAIR KITS

NUMBER	DESCRIPTION
KSK.120.7	MAIN CASTING
KSK.122.5	CRANKSHAFT
KSK.123.5	CYL HEAD COMPLETE
KSK.9.2G	MAIN OVERHAUL
KSK.9.2G.CP	PLATE COMPLETE
KSK.9.2G.BU	BUSH
KSK.9.2F.CR	CONN ROD COMPLETE
KSK.92.R.STD	RING SET
KSK.92.RP.STD	PISTON SET



RINGSET & PISTONS

NUMBER	SIZE
KSK.92.RP.010	O.S. +0.25MM
KSK.92.RP.020	O.S. +0.50MM
KSK.92.RP.040	O.S. +1.00MM

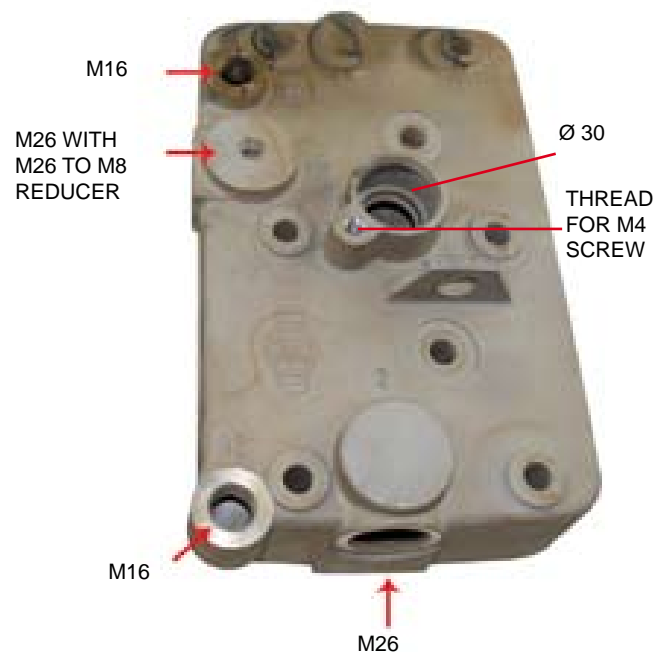
VOLVO & SCANIA CYLINDER HEADS

KSK.123.3

LP.4934 - LP.4967

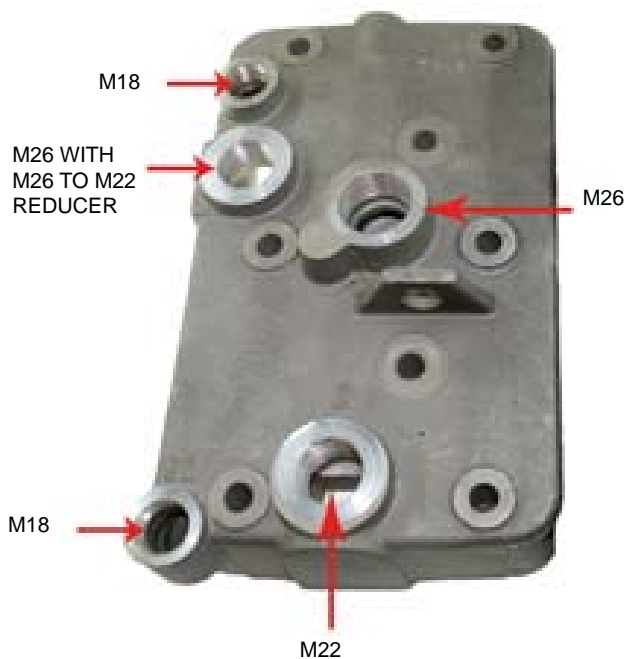


LP.4930 - LP.4974

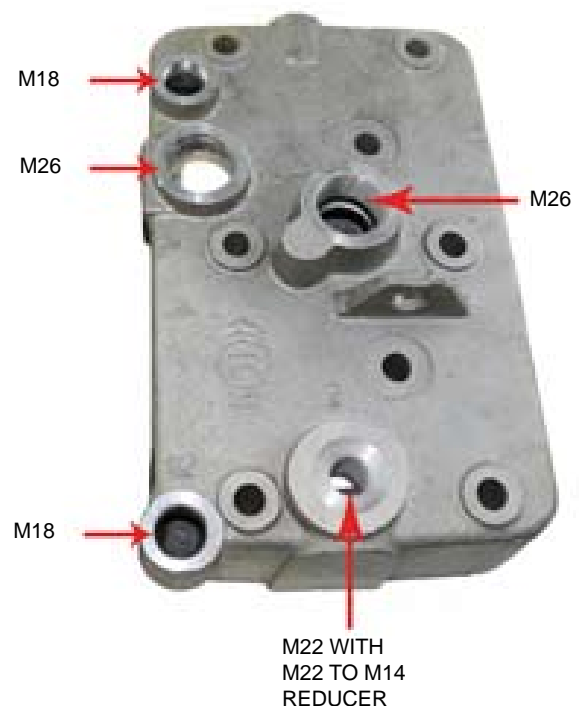


KSK.123.4

LP.4965 - LP.4964



LP.4957



Part number is for complete head + plate assy. Top view only to clarify applications and head rationalisation

WABCO - SINGLE CYLINDER



N°	N°	OEM N°	OEM	REPAIR KIT N°
1	411.034.501	001.131.55.01	DAI	WSK.92.A / 93.1 / 93.3 / 121.4 / 123.15 / 124.1 / 125.1 / 127.3
2	411.034.531	002.1312.15.01	DAI	WSK.92.A / 93.1 / 93.3 / 121.4 / 123.21 / 124.1 / 125.1 / 127.3
3	411.141.000	4415517	DEU	WSK.100 / 100.1 / 100.CH / 100.BU / KSK.9.R.STD / WSK.90.RP.STD
3	411.141.640	003.131.50.01	DAI	WSK.100 / 100.1 / 100.CH / 100.BU / KSK.9.R.STD / WSK.90.RP.STD
4	411.141.001	1.505.909	DAF	WSK.100 / 100.1 / 100.CH / 100.BU / KSK.9.R.STD / WSK.90.RP.STD
5	411.141.818	003.131.63.01	DAI	WSK.100 / 100.1 / 100.CH / 100.BU / KSK.9.R.STD / WSK.90.RP.STD
5	411.141.845	1.173.877	IVECO	WSK.100 / 100.1 / 100.CH / 100.BU / KSK.9.R.STD / WSK.90.RP.STD
6	411.142.818	004.131.59.01	DAI	WSK.99 / 120.11 / 121.7 / 124.3 / 125.7 / 127.6 / 99.R.STD / 99.RP.STD
7	411.143.805	1517936	DAF	WSK.99 / 121.8 / 123.19 / 124.3 / 125.8 / 127.6 / 99.R.STD / 99.RP.STD
8	411.145.001	J912703	CAS	WSK.100 / 124.2 / 127.6 / 90.R.STD / 90.RP.STD
9	411.145.507	51541019201	MAN	WSK.100 / 124.2 / 127.6 / 90.R.STD / 90.RP.STD
10	411.151.000	906.130.06.15	DAI	WSK.103 / 123.33 / 95.R.STD / 95.RP.STD
10	411.153.000	906.130.07.15	DAI	WSK.103 / 123.33 / 95.CR / 95.R.STD / 95.RP.STD
11	411.151.003	906.130.07.15	DAI	WSK.104 / 95.R.STD / 95.RP.STD
11	412.352.001	906.130.13.15	DAI	WSK.116 / 95.R.STD / 95.RP.STD
12	411.154.000	906.130.12.15	DAI	WSK.104 / 95.R.STD / 95.RP.STD
13	412.352.005	20382348	VOL	WSK.115 / 95.CR / 95.R.STD / 95.RP.STD
14	412.352.008	41211219	IVE	WSK.117 / 95.R.STD / 95.RP.STD
15	412.352.010	457.130.17.15	DAI	WSK.114 / 95.CR / 95.R.STD / 95.RP.STD
15	412.352.014	457.130.24.15	DAI	WSK.114 / 95.CR / 95.R.STD / 95.RP.STD
15	412.352.016	457.130.26.15	DAI	WSK.114 / 95.CR / 95.R.STD / 95.RP.STD
16	911.004.896	5000048155	RVI	WSK.121.9 / 123.2 / 124.5
17	911.153.001	457.130.05.15	DAI	WSK.103 / 123.33 / 95.CR / 95.R.STD / 95.RP.STD
18	911.153.533	3936810	CUM	WSK.95.R.STD / WSK.95.RP.STD
19	911.153.537	3991521	CUM	WSK.95.R.STD / WSK.95.RP.STD
20	411.151.004	51.541.017.240	MAN	WSK.104.A / 95.R.STD / 95.RP.STD
21	411.154.001	-	-	WSK.119 / 95.R.STD / 95.RP.STD
21	412.352.003	51.541.007.005	MAN	WSK.117 / 95.R.STD / 95.RP.STD



411.034.501 & 411.034.531

NUMBER	OEM N°	OEM
411.034.501	001.131.55.01	DAI
411.034.531	002.1312.15.01	DAI

411.034.531



411.034.501



REPAIR KITS

DESCRIPTION	SUITABLE FOR 411.034.501	SUITABLE FOR 411.034.531
PLATE COMPLETE	WSK.124.1	WSK.124.1
CRANKSHAFT	WSK.121.4	WSK.121.4
CYL HEAD COMPLETE	WSK.123.15	WSK.123.21
MAIN OVERHAUL	WSK.92.A	WSK.92.A
CONN ROD COMPLETE	WSK.125.1	WSK.125.1
PISTON & CYLINDER	WSK.93.3	WSK.93.3
RINGSET	WSK.93.1	WSK.93.1
R/KIT BUSH	WSK.127.3	WSK.127.3



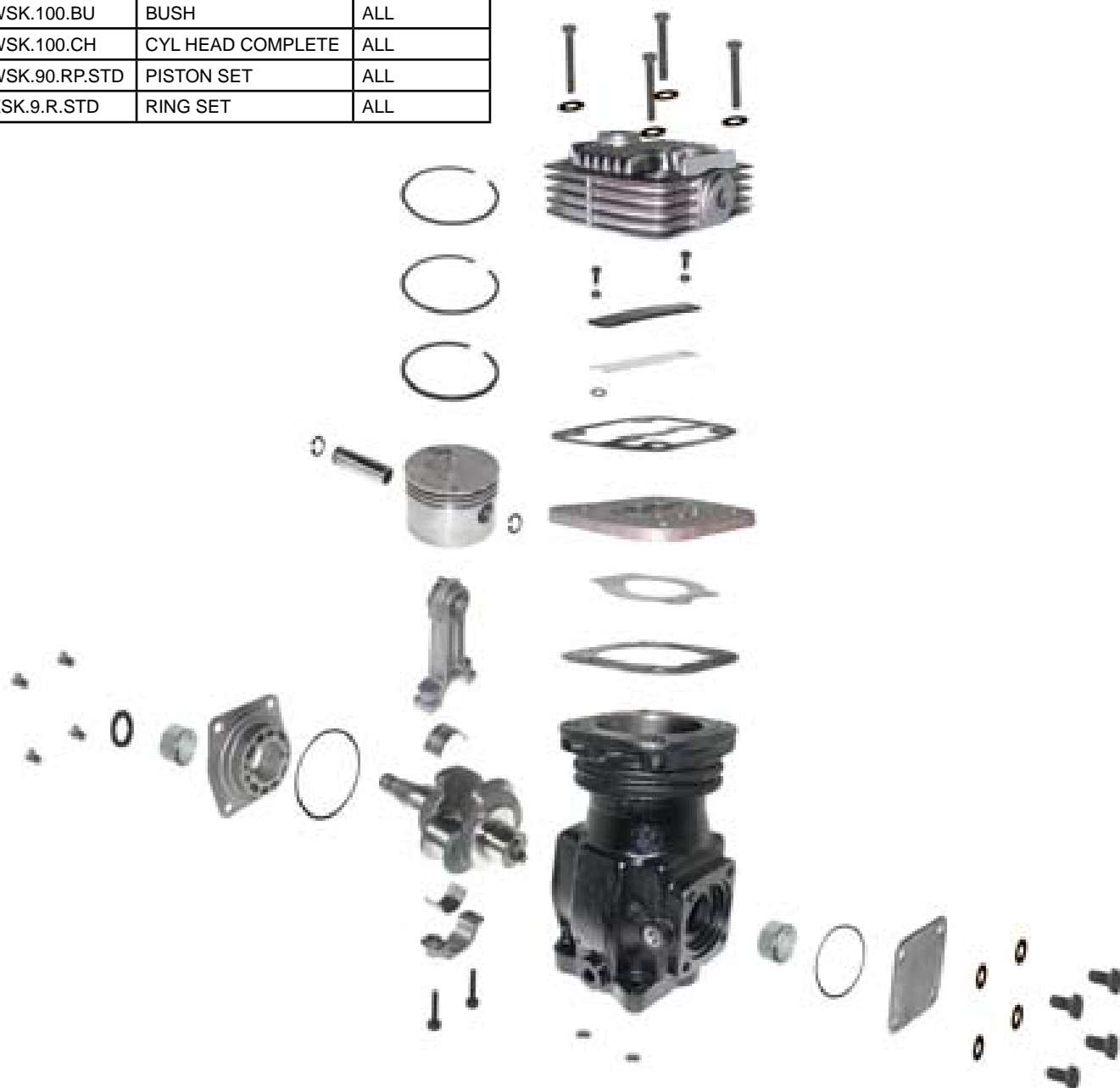
411.034.531

411.141.000

NUMBER	OEM N°	OEM
411.141.000	04415517	DEU
411.141.001	1505909	DAF
411.141.640	003.131.50.01	DAI
411.141.818	003.131.63.01	DAI
411.141.845	1173877	IVECO

REPAIR KITS

NUMBER	DESCRIPTION	APPLICATION
WSK.100	MAIN OVERHAUL	ALL
WSK.100.1	PLATE ONLY	ALL
WSK.100.BU	BUSH	ALL
WSK.100.CH	CYL HEAD COMPLETE	ALL
WSK.90.RP.STD	PISTON SET	ALL
KSK.9.R.STD	RING SET	ALL



411.151.000

NUMBER	OEM N°	OEM
411.151.000	906.130.06.15	DAI
411.153.000	906.130.07.15	DAI

REPAIR KITS

NUMBER	DESCRIPTION
WSK.123.33	CYL HEAD COMPLETE
WSK.103	MAIN OVERHAUL
WSK.95.CR	CONN ROD COMPLETE
WSK.95.R.STD	RING SET
WSK.95.RP.STD	PISTON SET



412.352.005

NUMBER	OEM N°	OEM
412.352.005	20382348	VOL



REPAIR KITS

NUMBER	DESCRIPTION
WSK.115	MAIN OVERHAUL
WSK.95.CR	CONN ROD COMPLETE
WSK.95.R.STD	RING SET
WSK.95.RP.STD	PISTON SET

WABCO - TWIN CYLINDER



N°	OEM N°	OEM	REPAIR KIT N°	
1	412.442.000	5010550529	RVI	WSK.107 / 107.BU / 120.6 / 123.29 / 90.CR / KSK.9.R.STD / WSK.90.RP...
1	412.442.001	5010437567	RVI	WSK.107 / 107.BU / 120.6 / 123.29 / 90.CR / KSK.9.R.STD / WSK.90.RP...
2	412.636.000	906.130.09.15	DAI	WSK.113 / 95.R.STD / 95.RP...
2	412.636.001	906.130.32.15	DAI	WSK.113 / 120.20 / 123.30 / 95.R.STD / 95.RP...
2	412.636.003	906.130.22.15	DAI	WSK.113 / 95.R.STD / 95.RP...
3	412.704.000	20382345	VOL	WSK.108.1 / 127.7 / 95.CR / 95.R.STD / 95.RP...
4	412.704.001	1505917	VOL	WSK.108 / 108.CH / 108.CS / 120.7 / 127.7 / 95.CR / 95.R.STD / 95.RP...
4	412.704.005	1516708	DAF	WSK.108 / 108.CH / 108.CS / 120.7 / 127.7 / 95.CR / 95.R.STD / 95.RP...
4	412.704.008	20701801	VOL	WSK.108 / 108.CH / 108.CS / 120.7 / 127.7 / 95.CR / 95.R.STD / 95.RP...
3	412.704.011	20701587	VOL	WSK.108.1 / 127.7 / 95.CR / 95.R.STD / 95.RP...
3	412.704.014	20842990	VOL	WSK.108.1 / 127.7 / 95.CR / 95.R.STD / 95.RP...
3	412.704.015	20850846	VOL	WSK.108.1 / 127.7 / 95.CR / 95.R.STD / 95.RP...
5	911.501.010	667440	DAF	WSK.9.C / 108.BU / 120.13 / 122.1 / 123.5 / 125.12 / 127.7 / 128.3 / 95.R.STD / 95.RP...
6	911.501.011	667441	DAF	WSK.9.C / 108.BU / 120.13 / 122.1 / 123.5 / 125.12 / 127.7 / 128.3 / 95.R.STD / 95.RP...
5	911.501.015	285596	DAF	WSK.9.C / 108.BU / 120.13 / 122.1 / 123.5 / 125.12 / 127.7 / 128.3 / 95.R.STD / 95.RP...
6	911.501.016	285597	DAF	WSK.9.C / 108.BU / 120.13 / 122.1 / 123.5 / 125.12 / 127.7 / 128.3 / 95.R.STD / 95.RP...
7	911.501.055	285598	DAF	WSK.9.C / 108.BU / 120.13 / 122.1 / 123.7 / 125.12 / 95.R.STD / 95.RP...
7	911.501.056	285599	DAF	WSK.9.C / 108.BU / 120.13 / 122.1 / 123.7 / 125.12 / 95.R.STD / 95.RP...
7	911.501.059	360261	DAF	WSK.9.C / 108.BU / 122.2 / 123.8 / 125.12 / 95.R.STD / 95.RP...
7	911.501.060	555097	DAF	WSK.9.D / 108.BU / 122.1 / 123.10 / 120.16 / 124.8 / 125.12 / 95.R.STD / 95.RP...
7	911.501.061	555098	DAF	WSK.9.D / 108.BU / 122.1 / 123.10 / 120.16 / 124.8 / 125.12 / 95.R.STD / 95.RP...
7	911.501.062	159052	DAF	WSK.9.C / 108.BU / 122.1 / 123.9 / 120.16 / 125.12 / 95.R.STD / 95.RP...
8	911.503.050	98421114	IVECO	WSK.98 / 122.3 / 123.12 / 124.9 / KSK.9.R.STD / WSK.90.RP...
9	911.503.051	280408	DAF	WSK.98 / 120.17 / 122.4 / 123.11 / 124.9 / 127.2 / KSK.9.R.STD / WSK.90.RP...

WABCO - TWIN CYLINDER



10



11



12



13



14



15



16



17



18

N°	OEM N°	OEM	REPAIR KIT N°	
10	911.504.052	762788	DAF	WSK.90.C / 120.1 / 122.5 / 123.11 / 124.9 / 125.14 / 127.1 / KSK.9.R.STD / WSK.90.RP...
11	911.504.056	1373083	DAF	WSK.9.F / 120.1 / 122.7 / 123.12 / 124.9 / 125.14 / 127.1 / KSK.9.R.STD / WSK.90.RP...
12	911.504.059	1274407	DAF	WSK.9.F / 120.2 / 122.8 / 123.12 / 124.9 / 125.14 / 127.1 / KSK.9.R.STD / WSK.90.RP...
12	911.504.060	1373426	DAF	WSK.9.F / 120.2 / 122.8 / 123.12 / 124.9 / 125.14 / 127.1 / KSK.9.R.STD / WSK.90.RP...
13	911.504.501	1310523	DAF	WSK.9.E / 95.CR / 102.BB / 120.3 / 122.9 / 123.13 / 124.10 / KSK.9.R.STD / WSK.90.RP...
13	911.504.503	1451651	DAF	WSK.9.E / 95.CR / 102.BB / 120.3 / 122.9 / 123.13 / 124.10 / KSK.9.R.STD / WSK.90.RP...
13	911.504.504	1604420	DAF	WSK.9.E / 95.CR / 102.BB / 120.3 / 122.9 / 123.13 / 124.10 / KSK.9.R.STD / WSK.90.RP...
14	911.505.050	537745	DAF	WSK.9.D / 120.19 / 122.10 / 123.10 / 124.8 / 95.R.STD / 95.RP...
14	911.505.051	537746	DAF	WSK.9.D / 120.19 / 122.10 / 123.10 / 124.8 / 95.R.STD / 95.RP...
15	911.505.150	1626060	VOLVO	WSK.95.C / 102.BB / 120.4 / 122.11 / 123.14 / 124.11 / 125.17 / 127.4 / 95.R.STD / 95.RP...
16	911.506.050	04860565	IVE	WSK.9.G / KSK.9.R.STD / WSK.90.RP...
16	911.506.054	50010906	IVE	WSK.9.G / KSK.9.R.STD / WSK.90.RP...
16	911.506.500	4862091	IVE	WSK.9.K / 120.21 / KSK.9.R.STD / WSK.90.RP...
17	911.553.001	457.130.15.15	DAI	WSK.9.I / 95.CR / 95.R.STD / 95.RP...
17	911.553.003	457.130.20.15	DAI	WSK.9.I / 95.CR / 95.R.STD / 95.RP...
18	911.553.100	457.130.12.15	DAI	WSK.9.H / 95.CR / 120.8 / 123.32 / 95.R.STD / 95.RP...
18	911.553.103	457.130.22.15	DAI	WSK.9.H / 95.CR / 120.8 / 123.32 / 95.R.STD / 95.RP...



412.442.000

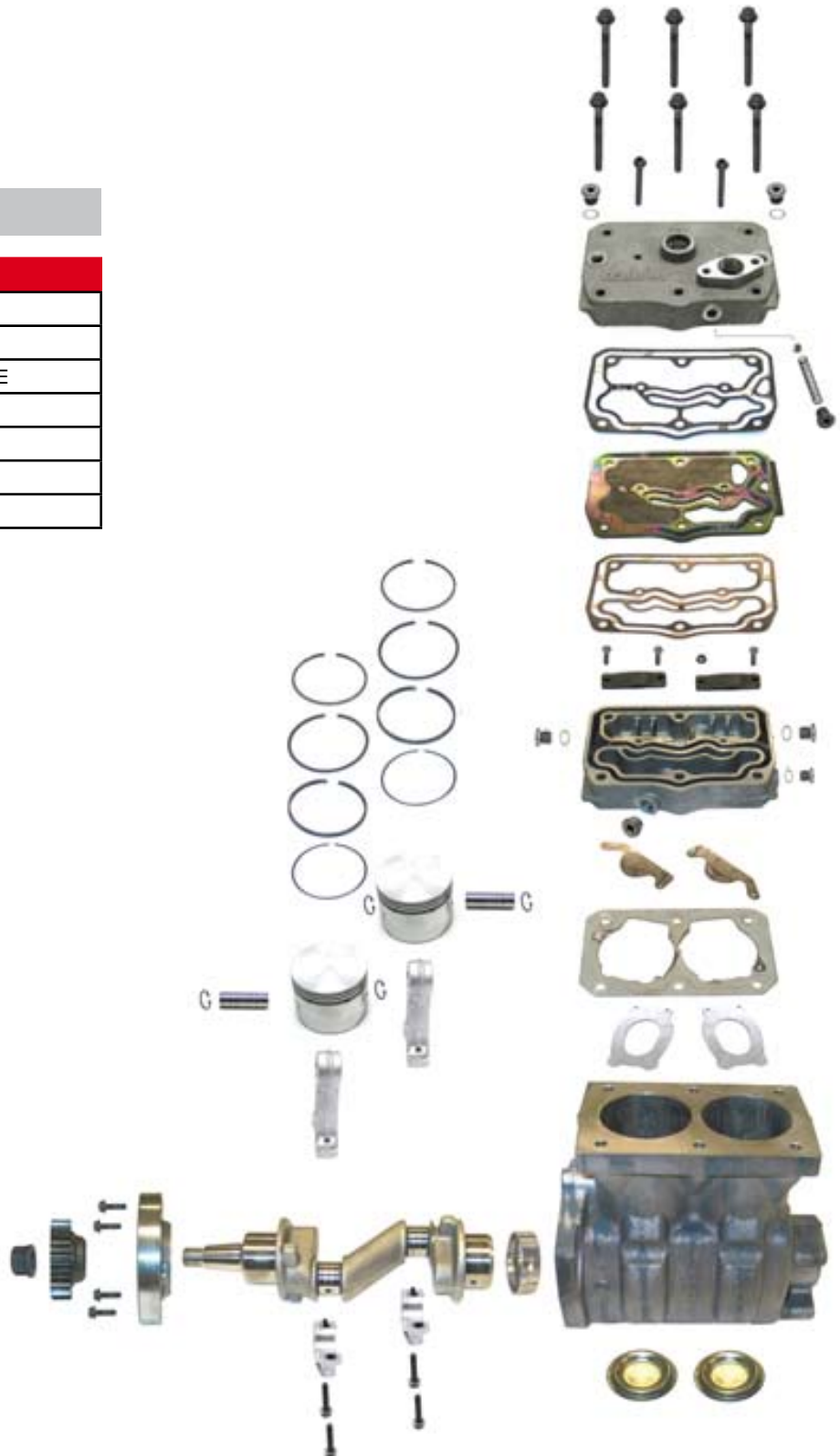
NUMBER	OEM N°	OEM
412.442.000	5010550529	RVI
412.442.001	5010437567	RVI

REPAIR KITS

NUMBER	DESCRIPTION
WSK.107	MAIN OVERHAUL
WSK.107.BU	BUSH
WSK.90.CR	CONN ROD COMPLETE
WSK.123.29	CYL HEAD COMPLETE
WSK.120.6	MAIN CASTING
WSK.90.RP.STD	PISTON SET
KSK.9.R.STD	RING SET

RINGSET & PISTONS

NUMBER	SIZE
WSK.90.RP.010	O.S. +0.25MM
WSK.90.RP.020	O.S. +0.50MM
WSK.90.RP.040	O.S. +1.00MM



412.704.001

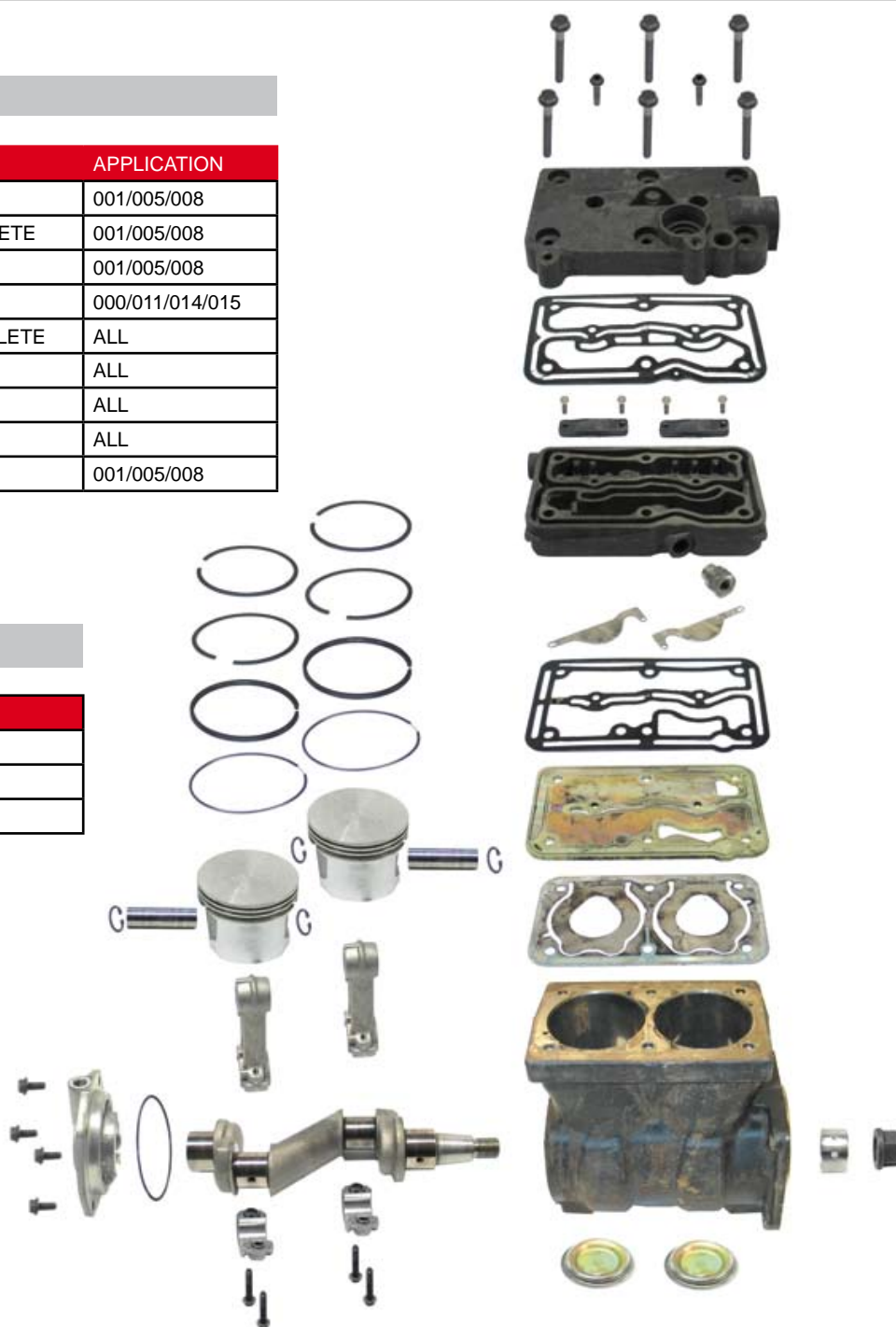
NUMBER	OEM N°	OEM
412.704.000	20382345	VOL
412.704.001	1505917	VOL
412.704.005	1516708	DAF
412.704.008	20701801	VOL
412.704.011	20701587	VOL
412.704.014	20842990	VOL
412.704.015	20850846	VOL

REPAIR KITS

NUMBER	DESCRIPTION	APPLICATION
WSK.108.CS	CRANKSHAFT	001/005/008
WSK.108.CH	CYL HEAD COMPLETE	001/005/008
WSK.108	MAIN OVERHAUL	001/005/008
WSK.108.1	MAIN OVERHAUL	000/011/014/015
WSK.95.CR	CONN ROD COMPLETE	ALL
WSK.95.RP.STD	PISTON SET	ALL
WSK.95.R.STD	RINGSET	ALL
WSK.127.7	R/KIT BUSH	ALL
WSK.120.7	MAIN CASTING	001/005/008

RINGSET & PISTONS

NUMBER	SIZE
WSK.95.RP.010	O.S. +0.25MM
WSK.95.RP.020	O.S. +0.50MM
WSK.95.RP.040	O.S. +1.00MM

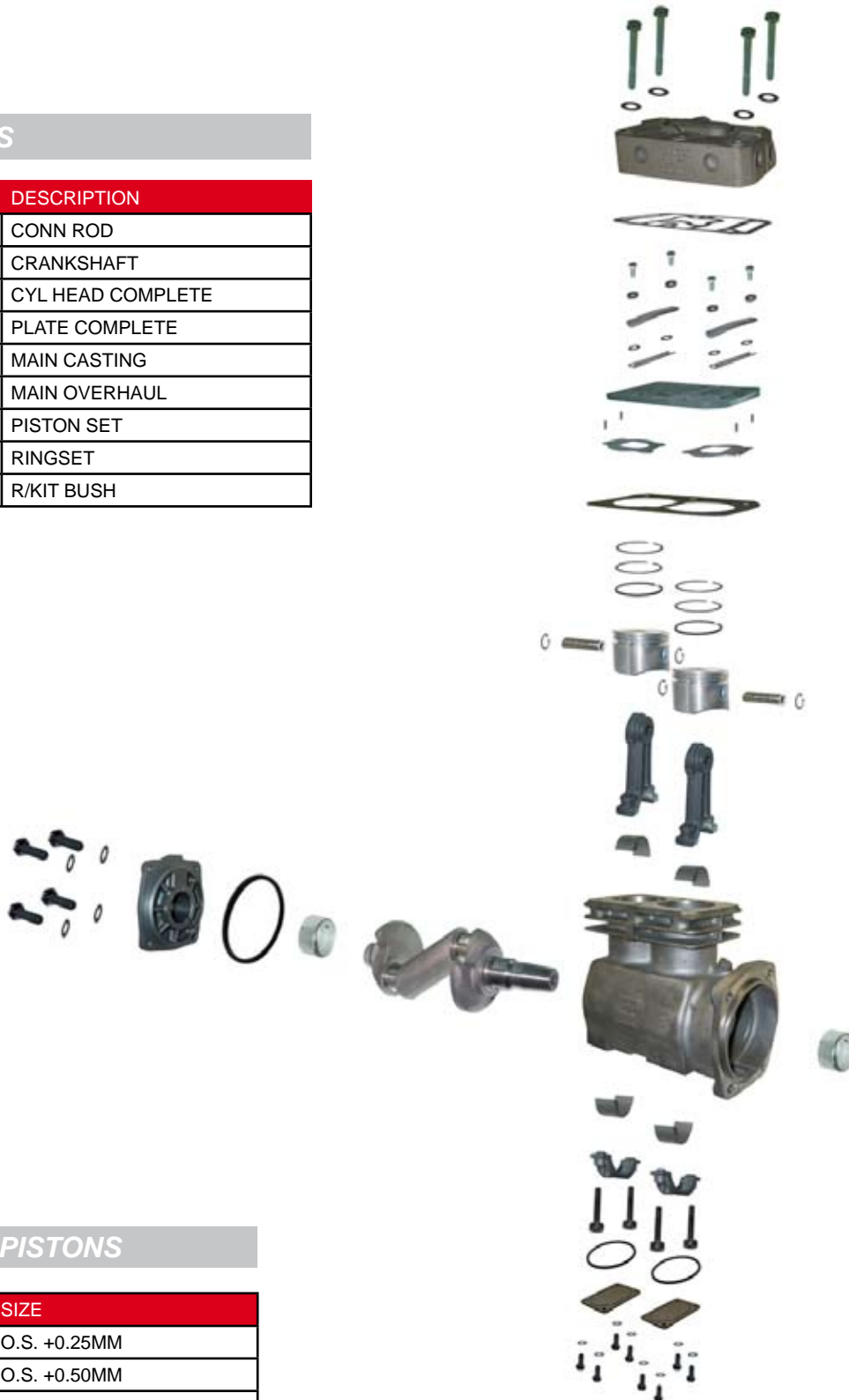


911.504.052

NUMBER	OEM N°	OEM
911.504.052	762788	DAF

REPAIR KITS

NUMBER	DESCRIPTION
WSK.125.14	CONN ROD
WSK.122.5	CRANKSHAFT
WSBK.123.11	CYL HEAD COMPLETE
WSK.124.9	PLATE COMPLETE
WSK.120.1	MAIN CASTING
WSK.90.C	MAIN OVERHAUL
WSK.90.RP.STD	PISTON SET
KSK.9.R.STD	RINGSET
WSK.127.1	R/KIT BUSH



RINGSET & PISTONS

NUMBER	SIZE
WSK.90.RP.010	O.S. +0.25MM
WSK.90.RP.020	O.S. +0.50MM
WSK.90.RP.040	O.S. +1.00MM

911.504.056

NUMBER	OEM N°	OEM
911.504.056	1373083	DAF
911.504.059	1274407	DAF
911.504.060	1373426	DAF

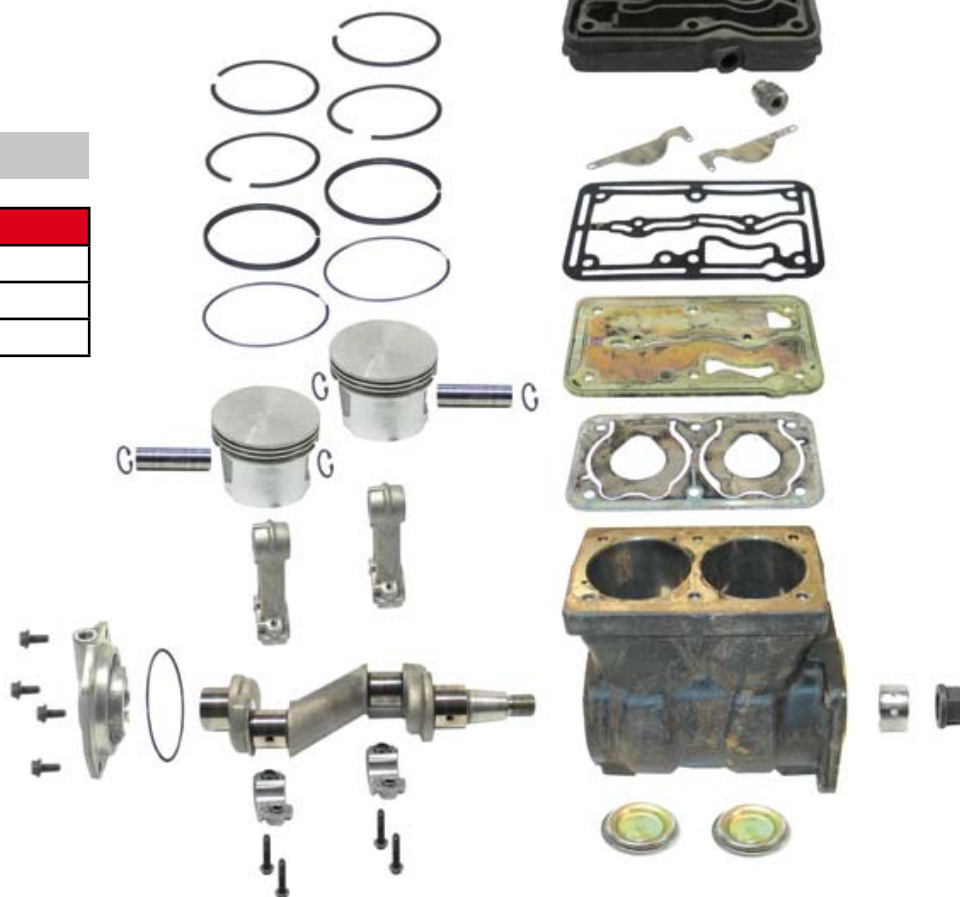
REPAIR KITS

NUMBER	DESCRIPTION	APPLICATION
WSK.125.14	CONN ROD	ALL
WSK.122.7	CRANKSHAFT	056
WSK.122.8	CRANKSHAFT	059 / 060
WSK.123.12	CYL HEAD COMPLETE	ALL
WSK.124.9	PLATE COMPLETE	ALL
WSK.120.1	MAIN CASTING	056
WSK.120.2	MAIN CASTING	059 / 060
WSK.9.F	MAIN OVERHAUL	ALL
WSK.90.RP.STD	PISTON SET	ALL
KSK.9.R.STD	RINGSET	ALL
WSK.127.1	R/KIT BUSH	ALL



RINGSET & PISTONS

NUMBER	SIZE
WSK.90.RP.010	O.S. +0.25MM
WSK.90.RP.020	O.S. +0.50MM
WSK.90.RP.040	O.S. +1.00MM



911.504.501

NUMBER	OEM N°	OEM
911.504.501	1310523	DAF
911.504.503	1451651	DAF
911.504.504	1604420	DAF



REPAIR KITS

NUMBER	DESCRIPTION	COMPRESSORS
WSK.95.CR	CONN ROD	ALL
WSK.122.9	CRANKSHAFT	ALL
WSK.123.13	CYL HEAD COMPLETE	ALL
WSK.124.10	PLATE COMPLETE	ALL
WSK.120.3	MAIN CASTING	ALL
WSK.9.E	MAIN OVERHAUL	ALL
WSK.90.RP.STD	PISTON SET	ALL
KSK.9.R.STD	RINGSET	ALL
WSK.102.BB	BALL BEARING	ALL



RINGSET & PISTONS

NUMBER	SIZE
WSK.90.RP.010	O.S. +0.25MM
WSK.90.RP.020	O.S. +0.50MM
WSK.90.RP.040	O.S. +1.00MM



911.506.500

NUMBER	OEM N°	OEM
911.506.500	4862091	IVE

REPAIR KITS

NUMBER	DESCRIPTION
WSK.125.10	CONN ROD
WSK.123.31	CYL HEAD COMPLETE
WSK.120.21	MAIN CASTING
WSK.9.K	MAIN OVERHAUL
WSK.90.RP.STD	PISTON SET
KSK.9.R.STD	RINGSET

**RINGSET & PISTONS**

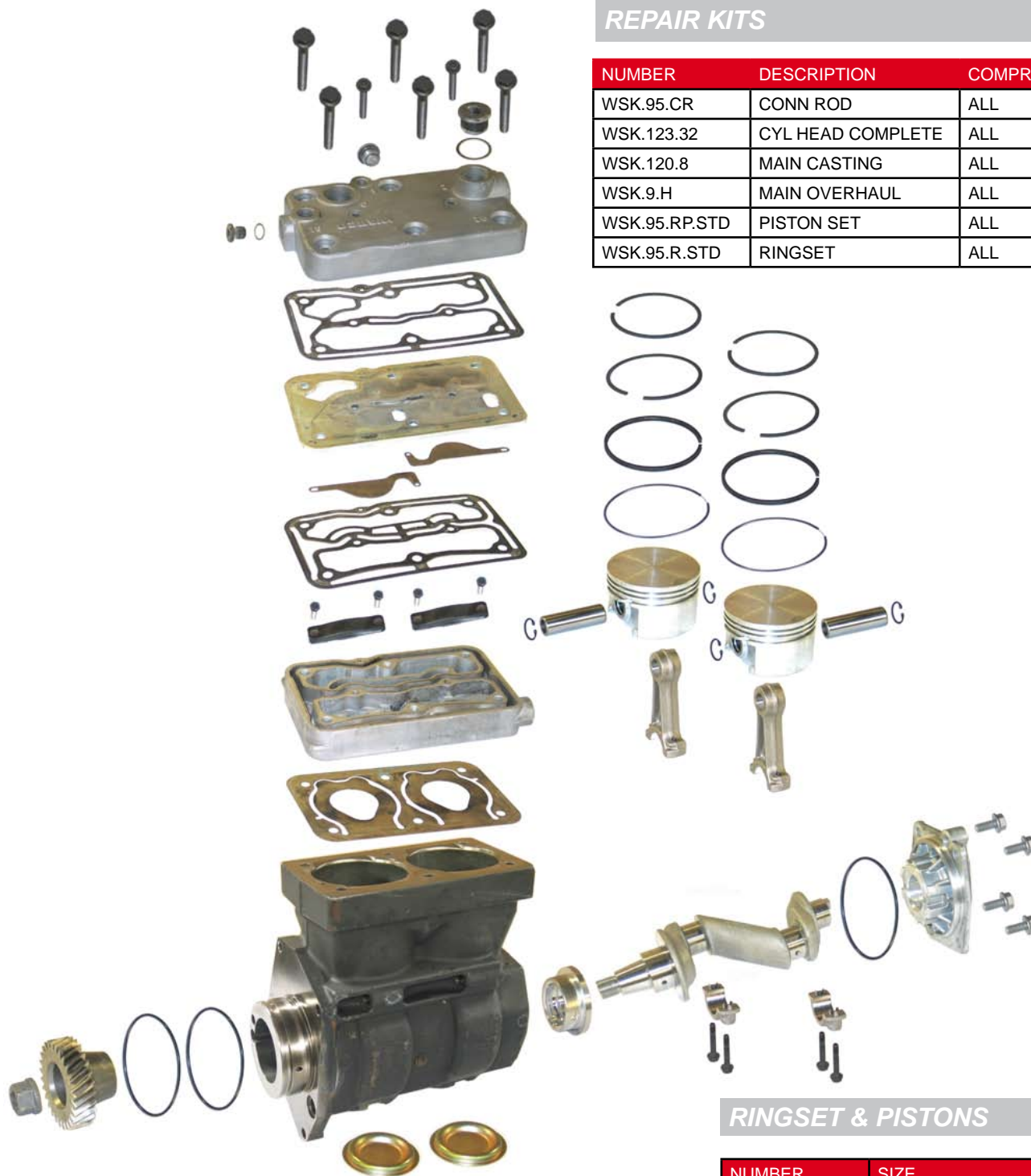
NUMBER	SIZE
WSK.90.RP.010	O.S. +0.25MM
WSK.90.RP.020	O.S. +0.50MM
WSK.90.RP.040	O.S. +1.00MM

911.533.100

NUMBER	OEM N°	OEM
911.553.100	457.130.12.15	DAI
911.553.103	457.130.22.15	DAI

REPAIR KITS

NUMBER	DESCRIPTION	COMPRESSORS
WSK.95.CR	CONN ROD	ALL
WSK.123.32	CYL HEAD COMPLETE	ALL
WSK.120.8	MAIN CASTING	ALL
WSK.9.H	MAIN OVERHAUL	ALL
WSK.95.RP.STD	PISTON SET	ALL
WSK.95.R.STD	RINGSET	ALL



RINGSET & PISTONS

NUMBER	SIZE
WSK.95.RP.010	O.S. +0.25MM
WSK.95.RP.020	O.S. +0.50MM
WSK.95.RP.040	O.S. +1.00MM

CYLINDER HEAD



CYLINDER HEAD



	MAKER'S REF	TT REF	OEM N°	OEM	Repair Kit N°
1	283615	BSK.123.5	1695009	VOL	BSK.15
2	411.003.808	-	352.130.03.19	DAI	WSK.96.A
2	I.84530	-	352.130.03.19	DAI	WSK.96.A
2	ZB.4271	-	352.130.03.19	DAI	WSK.96.A
3	411.033.801	-	000.130.24.19	DAI	BOSK.2C / 2.3
4	411.033.806	-	000.130.25.19	DAI	BOSK.2C / 2.4
4	411.033.808	-	000.130.26.19	DAI	BOSK.2C / 2.4
5	411.151.800	WSK.123.33	000.131.49.19	DAI	WSK.103
6	412.442.000	WSK.123.29	5001859253	RVI	WSK.107
7	412.636.920	WSK.123.30	001.130.14.15	DAI	WSK.113
8	412.704.932	WSK.108.CH	20701803	VOL	WSK.108
9	442.130.32.19	-	442.131.01.19	DAI	BOSK.2.7 / 2.8
10	911.501.800	WSK.123.5	692001	DAF	WSK.9.C
10	911.501.801	WSK.123.6	692002	DAF	WSK.9.C
10	911.501.802	WSK.123.7	691908	DAF	WSK.9.C
10	911.501.805	WSK.128.8	697887	DAF	WSK.9.C
11	911.504.801	WSK.123.13	1335748	DAF	WSK.9.E
11	911.504.803	WSK.123.13	1458906	DAF	WSK.9.E
12	911.505.800	WSK.123.10	66043	DAF	WSK..9.D
12	911.505.804	WSK.123.14	3094622	VOL	WSK.95.C
13	911.553.001	WSK.123.32	001.130.08.15	DAI	WSK.9.H
14	I70512	KSK.95.CH	1309902	IVE	KSK.95
14	I83548	KSK.94.CH	000.131.27.19	DAI	KSK.94
15	II16349	KSK.95.1CH	000.131.45.19	DAI	KSK.95
16	K007985	MSK.12.CH	42534534	IVE	MSK.12
17	K007987	MSK.123.1	79073083	IVE	MSK.14
18	K007996	MSK.123.3	93161842	IVE	MSK.90
19	KZ.416	BSK.123.1	1695153	VOL	BSK.27.5P
19	KZ.645/3	BSK.123.2	1332985	SCA	BSK.27.5P
20	PCSA.30.1	CDSK.3.1.H	-	-	CDSK.3.1H
21	PCSA.98	-	-	-	CDSK.3.3
22	SEB22587	KSK.123.2A	1315299	SCA	KSK.9.2C
22	SEB00421004	KSK.123.2	1697771	VOL	KSK.9.2C
23	SEB01080004	KSK.123.1	3090378	VOL	KSK.9.2E
24	SEB01052004	KSK.123.3	3097144	VOL	KSK.9.2F
24	SEB01106004	KSK.123.7	1376274	SCA	KSK.9.2F
24	SEB01138004	KSK.123.8	1699820	VOL	KSK.9.2F
24	SEB01444004	KSK.9.2F.CH	1424766	SCA	KSK.9.2F
24	SEB01549004	KSK.123.5	3095847	VOL	KSK.9.2G
25	TSK.9.CH	TSK.9.CH	155152	RVI	TSK.9
26	ZB.4275	KSK.123.6	51.541.146.054	MAN	BOSK.2C
27	ZB.4289	-	541.130.22.19	DAI	BOSK.2.10
28	412.100.805	-	51.541.146.073	MAN	WSK.118
28	412.100.804	-	51.541.146.074	MAN	WSK.118
29	412.090.920	-	51.541.146.081	MAN	-
30	541.131.10.19	-	541.131.11.19	DAI	BOSK.2.9
31	412.352.920	-	20451727	VOL	WSK.115
32	541.130.07.19	-	541.130.12.19	DAI	BOSK.2.9
33	TSK.9.1.CH	TSK.9.1.CH	5000678923	RVI	TSK.9.1



RINGSETS & PISTONS

Piston sets «RP» always come in boxes of **two**, even for single cylinder compressors. Exceptions are clearly shown.





REPAIR KIT N°	OEM N°	OEM	DESCRIPTION	APPLICATION	BORE SIZE		
BSK.1	272746	BENDIX	RINGSET STD TF.400	TF.400	52.39		X2
BSK.2	289438	BENDIX	RINGSET+PISTON STD	TF.400	52.39		X2
BSK.10.F	-	BENDIX	RINGSET STD TF.500(CAST IRON)	TF.500	63.50		X2
BSK.11.R.STD	SKR.2745.00	BENDIX	RINGSET STD TF.500	TF.500	63.50		X2
BSK.11.RP.STD	295327	BENDIX	RINGSET+PISTON STD	TF.500	63.50		X2
BSK.11.RP.010	295328	BENDIX	RINGSET+PISTON TF.500 +010	TF.500	63.75		X2
BSK.11.RP.020	295329	BENDIX	RINGSET+PISTON TF.500 +020	TF.500	64.00		X2
BSK.11.RP.030	295330	BENDIX	RINGSET+PISTON TF.500 +030	TF.500	64.25		X2
BSK.11.RP.040	-	BENDIX	RINGSET+PISTON TF.500 +040	TF.500	64.50		X2
BSK.11.RPF. STD	-	BENDIX	RINGSET+PISTON STD (CAST IRON)	TF.500 (CAST IRON PISTON)	63.50		X2
BSK.11.RPF.010	-	BENDIX	RINGSET+PISTON +010 (CAST IRON)	TF.500 (CAST IRON PISTON)	63.75		X2
BSK.11.RPF.020	-	BENDIX	RINGSET+PISTON +020 (CAST IRON)	TF.500 (CAST IRON PISTON)	64.00		X2
BSK.14.R.STD	107639	BENDIX	RINGSET STD TF.500	TF.550/750	70.61		X2
BSK.14.RP.STD	107643	BENDIX	RINGSET+PISTON STD (X2)	TF.550/750	70.61		X2
BSK.14.RP.010	107644	BENDIX	RINGSET+PISTON 010 (X2)	TF.550/750	70.61		X2
BSK.14.RP.020	107645	BENDIX	RINGSET+PISTON 020 (X2)	TF.550/750	70.61		X2
BSK.14.RP.030	107646	BENDIX	RINGSET+PISTON 030 (X2)	TF.550/750	70.61		X2
BSK.18.F	-	BENDIX	RINGSET STD (3RING)	TF.501 (CAST IRON PISTON)	66.675		X2
BSK.19.R.STD	106105	BENDIX	RINGSET TF.501 STD	TF.501	66.675		X2
BSK.19.RP.STD	106109	BENDIX	RINGSET+PISTON TF.501 STD	TF.501	66.675		X2
BSK.19.RP.020	106111	BENDIX	RINGSET+PISTON TF.501 +020	TF.501	66.675		X2
BSK.19.RP.040	5005217	BENDIX	RINGSET+PISTON TF.501 +040	TF.501	66.675		X2
BSK.19.RPF. STD	-	BENDIX	RINGSET+PISTON STD (CAST IRON)	TF.501 (CAST IRON PISTON)	66.675		X2
BSK.22.R.STD	282525	BENDIX	RINGSET STD TF.700	TF.600/700	69.85		X2
BSK.22.RP.STD	289891	BENDIX	RINGSET+PISTON TF.700 STD	TF.600/700	69.85		X2
BSK.22.RP.010	289892	BENDIX	RINGSET+PISTON TF.700 +010	TF.600/700	70.10		X2
BSK.22.RP.020	289893	BENDIX	RINGSET+PISTON TF.700 +020	TF.600/700	70.35		X2
BSK.22.RP.030	289894	BENDIX	RINGSET+PISTON TF.700 +030	TF.600/700	70.60		X2
BSK.28	SKR.2790.00	BENDIX	RINGSET 15.5 STD	15.5 / 2W440D	75.00	X2	
BSK.28.1	SKR.2790.10	BENDIX	RINGSET 15.5 +010	15.5 / 2W440D	75.25	X2	
BSK.28.2	SKR.2790.20	BENDIX	RINGSET 15.5 +020	15.5 / 2W440D	75.50	X2	



RINGSETS & PISTONS

Piston sets «RP» always come in boxes of **two**, even for single cylinder compressors. Exceptions are clearly shown.





REPAIR KIT N°	OEM N°	OEM	DESCRIPTION	APPLICATION	BORE SIZE		
BSK.28.3	SKR.2790.30	BENDIX	RINGSET 15.5 +030	15.5 / 2W440D	75.75	X2	
BSK.30.RP.STD	KW3974.1	BENDIX	RINGSET+PISTON 15.5 STD	15.5 / 2W440D	75.00	X2	
BSK.30.RP.010	KW.3974.2	BENDIX	RINGSET+PISTON 15.5 +010	15.5 / 2W440D	75.25	X2	
BSK.30.RP.020	KW.3974.3	BENDIX	RINGSET+PISTON 15.5 +020	15.5 / 2W440D	75.50	X2	
BSK.30.RP.030	KW.3974.4	BENDIX	RINGSET+PISTON 15.5 +030	15.5 / 2W440D	75.75	X2	
BSK.30.RP.040	-	BENDIX	RINGSET+PISTON 15.5 +040	15.5 / 2W440D	76.00	X2	
CDSK.3.CP	PCSA.718	CLAYTON	RINGSET+PISTON STD	SC.6	66.675		X1
CDSK.4.2	GA.29129	CLAYTON	RINGSET STD	SC.6	66.675		X1
CSK.1.R.STD	AR73350	CUM-MINS	RINGSET STD	SS296	92.075	X1	
CSK.1.RP.STD	3801740	CUM-MINS	RINGSET+PISTON STD	SS296	92.075	X1	
KSK.103.RP.STD	SEB.22517	KNORR	RINGSET+PISTON STD	LK.3833	80.00	X1	
KSK.103.RP.010	-	KNORR	RINGSET+PISTON +010	LK.3833	80.25	X1	
KSK.103.RP.020	-	KNORR	RINGSET+PISTON +020	LK.3833	80.50	X1	
KSK.70.R.STD	-	KNORR	RINGSET STD	101.3391.000 / LP.4812 / 32 / 4940 / 4942 / 4944	70.00	X2	
KSK.70.RP.STD	SEB.22537	KNORR	RINGSET+PISTON STD	101.3391.000 / LP.4812 / 32 / 4940 / 4942 / 4944	70.00	X2	
KSK.70.RP.010	-	KNORR	RINGSET+PISTON +010	101.3391.000 / LP.4812 / 32 / 4940 / 4942 / 4944	70.25	X2	
KSK.70.RP.020	SEB.22538	KNORR	RINGSET+PISTON +020	101.3391.000 / LP.4812 / 32 / 4940 / 4942 / 4944	70.50	X2	
KSK.9.R.STD	-	KNORR	RINGSET LP.4812	LP.4812/13/14/15 - 911.503 / 504 / 506 / 412.442	75.00	X2	
KSK.9.RP.STD	SEB.22539	KNORR	RINGSET+PISTON STD	LP.4812 13 / 14 / 15 / 23 / 25 / 29 / 42 / 44 / 50 / 52	75.00	X2	
KSK.9.RP.010	-	KNORR	RINGSET+PISTON +010	LP.4812 13 / 14 / 15 / 23 / 25 / 29 / 42 / 44 / 50 / 52	75.25	X2	

RINGSETS & PISTONS

Piston sets «RP» always come in boxes of **two**, even for single cylinder compressors. Exceptions are clearly shown.





REPAIR KIT N°	OEM N°	OEM	DESCRIPTION	APPLICATION	BORE SIZE		
KSK.9.RP.020	SEB.22540	KNORR	RINGSET+PISTON +020	LP.4812 13 / 14 / 15 / 23 / 25 / 29 / 42 / 44 / 50 / 52	75.50	X2	
KSK.9.RP.040	-	KNORR	RINGSET+PISTON +040	LP.4812 13 / 14 / 15 / 23 / 25 / 29 / 42 / 44 / 50 / 52	76.00	X2	
KSK.91.R.STD	-	KNORR	RINGSET STD	LP.4819 / LP.3832/ 33 / 43/ 52	78.00	X2	
KSK.91.RP.STD	SEB.22551	KNORR	RINGSET+PISTON STD	LP.4819 / LP.3832/ 33 / 43/ 52	78.00	X2	
KSK.91.RP.010	-	KNORR	RINGSET+PISTON +010	LP.4819 / LP.3832/ 33 / 43/ 52	78.25	X2	
KSK.91.RP.020	SEB.22552	KNORR	RINGSET+PISTON +020	LP.4819 / LP.3832/ 33 / 43/ 52	78.50	X2	
KSK.92.R.STD	I.81169.0062	KNORR	RINGSET LP.4930/34 STD	LP.4930 / 34 / 60 / 64 / 65 / 67 / 74 / 80 / 99 / LK.49	88.00	X2	
KSK.92.RP.STD	SEB.22555	KNORR	RINGSET+PISTON LP.4930/34 STD	LP.4930 / 34 / 60 / 64 / 65 / 67 / 74 / 80 / 99 / LK.49	88.00	X2	
KSK.92.RP.010	-	KNORR	RINGSET+PISTON LP.4930/34 +010	LP.4930 / 34 / 60 / 64 / 65 / 67 / 74 / 80 / 99 / LK.49	88.25	X2	
KSK.92.RP.020	-	KNORR	RINGSET+PISTON LP.4930/34 +020	LP.4930 / 34 / 60 / 64 / 65 / 67 / 74 / 80 / 99 / LK.49	88.50	X2	
KSK.92.RP.040	-	KNORR	RINGSET+PISTON LP.4930/34 +040	LP.4930 / 34 / 60 / 64 / 65 / 67 / 74 / 80 / 99 / LK.49	89.00	X2	
KSK.93.R.STD	-	KNORR	RINGSET LP.4857 STD	1194275 / 4357 / 4421 / LK.4935 / 36 / 37 / 52 / LP.4857 / 58	86.00	X2	
KSK.93.RP.STD	SEB.22547	KNORR	RINGSET+PISTON LP.4857 STD	1194275 / 4357 / 4421 / LK.4935 / 36 / 37 / 52 / LP.4857 / 58	86.00	X2	



RINGSETS & PISTONS

Piston sets «RP» always come in boxes of **two**, even for single cylinder compressors. Exceptions are clearly shown.





REPAIR KIT N°	OEM N°	OEM	DESCRIPTION	APPLICATION	BORE SIZE		
KSK.93.RP.020	SEB.22548	KNORR	RINGSET+PISTON LP.4857 +020	1194275 / 4357 / 4421 / LK.4935 / 36 / 37 / 52 / LP.4857 / 58	86.50	X2	
KSK.94.R3.STD	-	KNORR	RINGSET LK.1314 (3 RINGS)	LK.1314	75.00	X1	
KSK.94.RP.STD	I.76413	KNORR	RINGSET+PISTON LK.1314	LK.1314	75.00	X1	
KSK.95.R.STD	I.81169.0062	KNORR	RINGSET STD LK.1901	LK.1813 / 1901	88.00	X1	
MSK.12.R.STD	K.008003	MARELLI	RINGSET ACX.75 STD	AC / ACX.75 / 76 / 79	80.00	X2	
MSK.12.RP.STD	K.008000	MARELLI	RINGSET+PISTON (STD)	AC / ACX.75 / 76 / 79	80.00	X2	
MSK.12.RP.010	-	MARELLI	RINGSET+PISTON (+10)	AC / ACX.75 / 76 / 79	80.25	X2	
MSK.12.RP.020	766323.01	MARELLI	RINGSET+PISTON (+20)	AC / ACX.75 / 76 / 79	80.50	X2	
MSK.18.R.STD	766607.01	MARELLI	RINGSET STD AC.63	AC.63	70.00	X1	
MSK.18.RP.STD	K.008019	MARELLI	RINGSET+PISTON STD AC.63	AC.63	70.00	X1	
MSK.18.RP.020	766981.01	MARELLI	RINGSET+PISTON 020 AC.63	AC.63	70.50	X1	
MSK.19.R.STD	K.008008	MARELLI	RINGSET STD AC.61	AC.61	65.00	X1	
MSK.19.RP.STD	K.008010	MARELLI	RINGSET+PISTON STD AC.61	AC.61	65.00	X1	
MSK.19.RP.020	K.008009	MARELLI	RINGSET+PISTON 020 AC.61	AC.61	65.50	X1	
MSK.90.R.STD	766320.01	MARELLI	RINGSET STD	ACX.80 / 82	80.00	X2	
MSK.90.RP.STD	K.008006	MARELLI	RINGSET+PISTON ACX80/82 STD	ACX.80 / 82	80.00	X2	
MSK.90.RP.010	-	MARELLI	RINGSET+PISTON ACX80/82 +010	ACX.80 / 82	80.25	X2	
MSK.90.RP.020	766330.01	MARELLI	RINGSET+PISTON ACX80/82 +020	ACX.80 / 82	80.50	X2	
MSK.91.R.STD	766290.01	MARELLI	RINGSET ACX.83.A/AS/B STD	ACX.83.A / AS / B	82.00	X2	
MSK.91.RP.STD	766293.01	MARELLI	RINGSET+PISTON STD ACX.83.A/AS/B	ACX.83.A / AS / B	82.00	X2	
MSK.91.RP.010	-	MARELLI	RINGSET+PISTON +010 ACX.83.A / AS/B	ACX.83.A / AS / B	82.25	X2	
MSK.91.RP.020	766291.01	MARELLI	RINGSET+PISTON +020 ACX.83.A / AS/B	ACX.83.A / AS / B	82.50	X2	
MSK.92.R.STD	-	MARELLI	RINGSET ACX.83.D/DK/DX STD	ACX.83.D / DK / DX	82.00	X2	
MSK.92.RP.STD	766154.01	MARELLI	RINGSET+PISTON STD ACX.83.D / DK/D	ACX.83.D / DK / DX	82.00	X2	
MSK.92.RP.010	-	MARELLI	RINGSET+PISTON 010 ACX.83.D/DK/D	ACX.83.D / DK / DX	82.25	X2	

RINGSETS & PISTONS

Piston sets «RP» always come in boxes of **two**, even for single cylinder compressors. Exceptions are clearly shown.





REPAIR KIT N°	OEM N°	OEM	DESCRIPTION	APPLICATION	BORE SIZE		
MSK.92.RP.020	766153.01	MARELLI	RINGSET+PISTON +.020 ACX.83.D/ DK/D	ACX.83.D / DK / DX	82.50	X2	
PDSK.8.R.STD	-	KNORR	RINGSET STD	101.3383 + 3393 / LP.4943 / ACX.68	65.00	X2	
PDSK.8.RP.STD	SEB.22524	KNORR	RINGSET+PISTON STD	101.3383 + 3393 / LP.4943 / ACX.68	65.00	X2	
PDSK.8.RP.010	-	KNORR	RINGSET+PISTON +010	101.3383 + 3393 / LP.4943 / ACX.68	65.25	X2	
PDSK.8.RP.020	SEB.22525	KNORR	RINGSET+PISTON +020	101.3383 + 3393 / LP.4943 / ACX.68	65.50	X2	
TSK.9.R.STD	0000323739	RVI	RINGSET STD	RVI	100.00	X1	
TSK.9.RP.STD	0000155762	RVI	RINGSET+PISTON STD	RVI	100.00	X1	
TSK.120. RP.STD	-	DAIMLER	RINGSET+PISTON STD ACTROS	TSK.120 / 120.1 / 447.130.28.15 / ACTROS	100.00	X1	
VSK.10	EQ2614	VARGA	RINGSET STD EL1300/1600	EL.1300 / 1600	69.85		X2
VSK.11	EQ2604	VARGA	RINGSET+PISTON STD	EL.1300 / 1600	69.85		X2
VSK.11.2	EQ2606	VARGA	RINGSET & PISTON +020	EL.1300 / 1600	70.35		X2
WSK.118. RP.STD	51.54105.6008	MAN	RINGSET+PISTON STD	51.54100.7073	90.00	X1	
WSK.90.RP.STD	411.141.623.2	WABCO	RINGSET+PISTON 911.504 STD	411.140 / 141 / 412.442 / 911.503 / 504 / 506	75.00	X2	
WSK.90.RP.010	-	WABCO	RINGSET+PISTON 911.504 (+010)	411.140 / 141 / 412.442 / 911.503 / 504 / 506	75.25	X2	
WSK.90.RP.020	-	WABCO	RINGSET+PISTON 911.504 (+020)	411.140 / 141 / 412.442 / 911.503 / 504 / 506	75.50	X2	
WSK.90.RP.040	-	WABCO	RINGSET+PISTON 911.504 (+040)	411.140 / 141 / 412.442 / 911.503 / 504 / 506	76.00	X2	
WSK.93.1	-	WABCO	RINGSET STD 411.034....	411.034.501 / 51.54000....	90.00	X1	
WSK.95.R.STD	-	WABCO	RINGSET STD 911.501/505	412.352 / 412.636 / 911.501 / 505 / 514	85.00	X2	
WSK.95.RP.STD	911.501.621.2	WABCO	RINGSET+PISTON 911.501/505 STD	412.352 / 412.636 / 911.501 / 505 / 514	85.00	X2	



RINGSETS & PISTONS

Piston sets «RP» always come in boxes of **two**, even for single cylinder compressors. Exceptions are clearly shown.



REPAIR KIT N°	OEM N°	OEM	DESCRIPTION	APPLICATION	BORE SIZE		
WSK.95.RP.010	-	WABCO	RINGSET+PISTON 911.501/505 +10	412.352 / 412.636 / 911.501 / 505 / 514	85.25	X2	
WSK.95.RP.020	911.501.622.2	WABCO	RINGSET+PISTON 911.501/505 +20	412.352 / 412.636 / 911.501 / 505 / 514	85.50	X2	
WSK.95.RP.040	911.501.624.2	WABCO	RINGSET+PISTON 911.501/505 +40	412.352 / 412.636 / 911.501 / 505 / 514	86.00	X2	
WSK.99.R.STD	-	WABCO	RINGSET FOR 411.142 & 411.14	411.142 / 143 / 147	90.00	X1	
WSK.99.RP.STD	411.142.623.2	WABCO	PISTON & RINGSET FOR 411.142 STD	411.142 / 143 / 147	90.00	X1	
WSK.99.RP.020	-	WABCO	PISTON & RINGSET FOR 411.142 +020	411.142 / 143 / 147	90.50	X1	

REPAIR KIT ALPHA NUMERICAL INDEX

TT PART N°	OR KIT N°	MAKER	DESCRIPTION	APPLICATION
BOSK.2.10	II38147F0052	KNORR	R/KIT HEAD DB	ZB.4289/541.130.22.19
BOSK.2.10CP	II38147F0064	KNORR	VALVE PLATE ASSY	ZB.4289/541.130.22.19
BOSK.2.3	1.481.038.900	BOSCH	VALVE PLATE ASSY A/COOLED	0.480.099.002/411.033.801/804/805/ZB4187/4224
BOSK.2.4	411.033.503.2	WABCO	VALVE PLATE ASSY W/COOLED	0.480.099.004/411.033.802/806/807/808
BOSK.2.7	-	DBENZ	R/KIT HEAD DB	442.130.32.19/34.19/447.130.28.15
BOSK.2.8	441.130.01.20	DBENZ	VALVE PLATE ASSY	442.130.32.19/34.19/447.130.28.15
BOSK.2.8 P	-	DBENZ	PLATE ONLY	442.130.32.19/34.19/447.130.28.15
BOSK.2.9	-	DBENZ	R/KIT HEAD DB	541.130.07.19/541.131.10.19
BOSK.2.9CP	541.130.06.20	DBENZ	VALVE PLATE ASSY	541.130.07.19/541.131.10.19
BOSK.2.10	II38147F0052	KNORR	R/KIT HEAD DB	ZB.4289/541.130.22.19
BOSK.2.10CP	II38147F0064	KNORR	VALVE PLATE ASSY	ZB.4289/541.130.22.19
BOSK.2C	-	BOSCH	R/KIT COMPRESSOR MAN + DB	0.480.099.002/004/411.033.801...808/ZB4187/4224/4275
BSK.12	282759 X2	BENDIX	C/ROD KIT TF.500 STD - ONE LUG+HOLE	TF.500 COMPRESSORS
BSK.12.A	-	BENDIX	C/ROD KIT TF.500 STD - ONE LUG NO HOLE	TF.500 COMPRESSORS
BSK.120.1	KZ.435.2	BENDIX	MAIN CASTING KZ.433	KZ.433
BSK.120.2	KZ.643.4	BENDIX	MAIN CASTING KZ.642/KZ.1228	KZ.642/KZ.1228
BSK.120.4	-	BENDIX	MAIN CASTING TF.700	289257
BSK.120.5	-	BENDIX	MAIN CASTING TF.500	280737
BSK.120.6	KZ.435.4	BENDIX	MAIN CASTING KZ.996	KZ.996
BSK.122.1	KY.1564.1	BENDIX	CRANKSHAFT	KZ.396/433/642/996/1228
BSK.123.1	-	BENDIX	CYLINDER HEAD ASSY	KZ.396/433
BSK.123.2	-	BENDIX	CYLINDER HEAD ASSY	KZ.642
BSK.13	282767	BENDIX	C/ROD KIT TF.500 STD - TWO LUGS - NO HOLE	TF.500 COMPRESSORS
BSK.13.A	-	BENDIX	C/ROD KIT TF.500 STD - TWO LUGS - WITH HOLE	TF.500 COMPRESSORS
BSK.14	107516	BENDIX	R/KIT TF.550 + TF.750	TF.550/750
BSK.14.CB	107516	BENDIX	R/KIT CONN ROD BEARING	TF.550/750
BSK.15	229417 - SK.2601.1	BENDIX	R/KIT TF.500 + TF.700	TF.500 COMPRESSORS
BSK.15.3	287043	BENDIX	R/KIT TF.501 (286104)	TF.501 COMPRESSORS
BSK.15.4	-	BENDIX	DISCHARGE VALVE SEAT(X10)	TF.500/501/600/700 COMPRESSORS
BSK.15.5	-	BENDIX	OIL RING (X5)	TF.500/600/700
BSK.15.6	236120	BENDIX	BALL BEARING FRONT	TF.500/501/600/700/15.5 W37
BSK.15.7	235440	BENDIX	BALL BEARING REAR	TF.500/600/700
BSK.15.8	-	BENDIX	INLET VALVE SEAT(X10)	TF.500/501/600/700 COMPRESSORS
BSK.15.9	-	BENDIX	CON ROD LOCK WASHER (X20)	TF.500/501/600/700/15.5 W37
BSK.15.CH		BENDIX	CYLINDER HEAD ASSY	TF.700
BSK.15.CR		BENDIX	CON ROD COMPLETE	TF.500/700
BSK.15.CS		BENDIX	CRANKSHAFT	TF.700
BSK.17	286254	BENDIX	C/ROD KIT TF.501 (STD)	TF.501 COMPRESSORS
BSK.25	SK.2871.2	BENDIX	R/KIT KZ.1143	KZ.1143
BSK.27.10	1518372	BENDIX	R/KIT CYL/PLATE 11 HOLE	KZ.396
BSK.27.10A	KZ.644.1	BENDIX	R/KIT CYL/PLATE 10 HOLE	KZ.642



REPAIR KIT ALPHA NUMERICAL INDEX

TT PART N°	OR KIT N°	MAKER	DESCRIPTION	APPLICATION
BSK.27.11	KZ.416.1	BENDIX	R/KIT (CYL HEAD - IMPERIAL)	KZ.396
BSK.27.3	-	BENDIX	BUSH KIT (X10)	KZ.396 / 433 / 642
BSK.27.5P	SK.2681.1	BENDIX	R/KIT 15.5 W37 (UNIVERSAL)	KZ.396/433/642/996/1228
BSK.27.6	SK.2806.1	BENDIX	FILTER KIT 15.5 W37	KZ.433.1 / 642.1
BSK.27.7	KX.1223.1	BENDIX	R/KIT (END COVER ASSY)	KZ.396
BSK.27.8	KW.3127.1	BENDIX	R/KIT (CONNECTING ROD)	KZ.396/433/642/996/1228
BSK.3	SK.2600.1	BENDIX	R/KIT TF.400	TF.400 COMPRESSORS
BSK.5	282763	BENDIX	C/ROD KIT TF400 (4X1/2)	TF.400 COMPRESSORS
BSK.76	-	BENDIX	KIT ACCESSORIES KZ & TUFLO	280737 /KZ.396 /433 / 642
CDSK.3.1.H	PCSA.30.1	CLAYTON	R/KIT HEAD ASSY SC.6	SC.6
CDSK.3.3	GA.28977	CLAYTON	R/KIT SC.6 W/COOLED	SC.6
CDSK.3.4	GA.29044	CLAYTON	R/KIT SC.6 (FORD)	PCGA.576 / 963 / 964
CDSK.3.C	PCSA.305	CLAYTON	R/KIT CONN ROD ASSY	SC.6
CDSK.3.L	P.168	CLAYTON	R/KIT LINER	SC.6
CSK.1	-	CUMMINS	R/KIT COMPRESSOR CUMMINS	S296
CSK.2	-	CUMMINS	R/KIT GASKET COMPRESSOR CUMMINS	S296
KMSK.1	-	KAMAZ	R/KIT COMPRESSOR KAMAZ (TWIN)	5320.3509015
KMSK.120.1	-	KAMAZ	R/KIT CYLINDER BLOCK + PISTON KAMAZ(TWIN)	5320.3509015
KMSK.120.2	-	KAMAZ	R/KIT CYLINDER BLOCK + PISTON KAMAZ(SINGLE)	53205.3509015
KMSK.120.3	-	TATRA	R/KIT CYLINDER BLOCK + PISTON TATRA D90	341100001/44614031800
KMSK.123.1	-	KAMAZ	CYLINDER HEAD COMPLETE KAMAZ(TWIN)	5320.3509015
KMSK.123.2	-	KAMAZ	CYLINDER HEAD COMPLETE KAMAZ(SINGLE)	53205.3509015
KMSK.2	-	KAMAZ	R/KIT COMPRESSOR KAMAZ (SINGLE)	53205.3509015
KSK.100	-	KNORR	R/KIT FOR LK.3802 & LK.3904.	LK.3802 / 3813 / 3904
KSK.100.1	I.84870.004	KNORR	PLATES FOR LK.3802 & LK.3904	LK.3802 / 3904
KSK.100.2	-	KNORR	PLATE ASSY LK.3813	LK.3813
KSK.100.BU	-	KNORR	BUSHES FOR LK.3802 & 3904...	LK.3802 / 3904
KSK.100.CH	-	KNORR	CYLINDER HEAD COMPLETE LK.3813	LK.3813
KSK.101	SEB.22197	KNORR	R/KIT LP.3832	LP.3832 / 3833 / 3843 / 3852
KSK.101.1	I.88057.0061	KNORR	PLATE FOR LP.3832	LP.3832 / 3833 / 3843 / 3852
KSK.101.BU	-	KNORR	BUSHES FOR LP.3832 ...	LP.3832 / 3833 / 3843 / 3852
KSK.102	SEB.22074	KNORR	R/KIT LP.3842	LP.3812 / 3821 / 3842
KSK.102.BB	-	KNORR	R/KIT BALL BEARING	LP.3842
KSK.102.CB	-	KNORR	R/KIT CYLINDER BLOCK	LP.3812 / 3821 / 3842
KSK.103	SEB.22518	KNORR	R/KIT LK.3833	LK.3833
KSK.103.BU	-	KNORR	BUSH FOR LK.3833	LK.3833
KSK.120.3	-	KNORR	MAIN CASTING LP.4974	LP.4930 / 4974 / 4992
KSK.120.4	-	KNORR	MAIN CASTING LP.4934	LP.4934
KSK.120.7	-	KNORR	MAIN CASTING LP.4967	LP.4967 / 4985
KSK.122.1	-	KNORR	CRANKSHAFT	LP.4812 / 4813 / 4814 / 4815 / 4825 / 4850
KSK.122.2	-	KNORR	CRANKSHAFT	LP.4930 / 4974
KSK.122.3	-	KNORR	CRANKSHAFT	LP.4934
KSK.122.5	-	KNORR	CRANKSHAFT	LP.4985 / 4992
KSK.123.1	SEB0108004	KNORR	CYLINDER HEAD COMPLETE	LP.4825
KSK.123.2	SEB00421004	KNORR	CYLINDER HEAD COMPLETE	LP.4812 / 4813
KSK.123.2A	SEB22587	KNORR	CYLINDER HEAD COMPLETE	LP.4814 / 4815
KSK.123.3	SEB01502004	KNORR	CYLINDER HEAD COMPLETE	LP.4934



REPAIR KIT ALPHA NUMERICAL INDEX

TT PART N°	OR KIT N°	MAKER	DESCRIPTION	APPLICATION
KSK.123.5	SEB01549004	KNORR	CYLINDER HEAD COMPLETE	LP.4985 / 4992
KSK.123.7	SEB01106004	KNORR	CYLINDER HEAD COMPLETE	LP.4957
KSK.127.2	-	KNORR	R/KIT BUSH	LP.4825 / 4830 / 4834 / LK.38.. / LK.39..
KSK.127.3	-	KNORR	R/KIT BUSH	LP.4812 / 4823 / 4830 / 4850 / LK.3833
KSK.127.5	-	KNORR	R/KIT BUSH	LP.4827
KSK.129.1	SEB00387004	KNORR	REAR COVER COMPLETE	LP.4812 / 4813 / 4814 / 4815 / 4825
KSK.70	SEB.22535	KNORR	R/KIT LP.4944	101.3391.000 / LP.4944
KSK.9.2.CF	-	KNORR	REAR COVER COMPLETE	LP.4930 / 4934 / 4964 / 4974
KSK.9.2C	SEB.22541	KNORR	R/KIT COMPLETE LP.4812 TO 15	LP.4812 / 4813 / 4814 / 4815
KSK.9.2C.CP	I81015004	KNORR	COMPLETE PLATE FOR LP.4812/1	LP.4812 / 4813 / 4814 / 4815
KSK.9.2C.CR	SEB00957	KNORR	CON ROD FOR LP.4812/13/14/15	LP.4812 / 4813 / 4814 / 4815 / 4823 / 4825 / 4850
KSK.9.2D	SEB.22543	KNORR	R/KIT COMPLETE LP.4823	LP.4823 / 4830 / 4850
KSK.9.2D.CP	SEB01000004	KNORR	COMPLETE PLATE FOR LP.4823	LP.4823 / 4850
KSK.9.2E	SEB.22545	KNORR	R/KIT COMPLETE LP.4825	LP.4825
KSK.9.2E.CP	SEB01081004	KNORR	COMPLETE PLATE FOR LP.4825	LP.4820 / 4821 / 4825
KSK.9.2E.P	SEB01081	KNORR	PLATE ONLY	LP.4820 / 4821 / 4825
KSK.9.2F	SEB.22560	KNORR	R/KIT LP.4930 / 4934 COMPRESSOR	LP.4930 / 4934 / 4957 / 4964 / 4965 / 4967 / 4974 / LK.4938 / 4941
KSK.9.2F.CP	SEB01033004	KNORR	COMPLETE PLATE FOR LP.4930 / 4934	LP.4930 / 4934 / 4964 / 4974
KSK.9.2F.CR	SEB00967004	KNORR	CON ROD FOR LP.4930/34/67/57	LP.4930 / 4934 / 4957 / 4964 / 4965 / 4967 / 4974 / LK.4941
KSK.9.2F.P	-	KNORR	PLATE ONLY	LP.4930 / 4934 / 4964 / 4974
KSK.9.2G	SEB.22559	KNORR	R/KIT LP.498.. SERIES COMPRE	LP.4983 TO 4997 / LK.4918 TO 22
KSK.9.2G.BU	-	KNORR	R/KIT BUSH	LP.4985 / LK.4941
KSK.9.2G.CP	SEB01034004	KNORR	R/KIT COMP PLATE LP.498.. SERIES	LP.4983 TO 4997 / LK.4918 TO 22
KSK.9.2H	SEB.22452	KNORR	R/KIT COMPLETE LP.4845	LP.4845
KSK.9.2I	SEB.22549 + 22569	KNORR	R/KIT LP.4857 & 1194...	LP.4857 / 1194135
KSK.9.2I.BU	-	KNORR	R/KIT LP.4857 (BUSHES)	LP.4857 / 1194135
KSK.9.2J.CH	SEB01895004	KNORR	CYLINDER HEAD COMPLETE	LK.4941
KSK.9.2J.CS	-	KNORR	CRANKSHAFT	LK.4941
KSK.9.2K	-	KNORR	R/KIT LK.4930	LK.4930
KSK.93.BU	-	KNORR	BUSHES FOR LK.1813	LK.1813
KSK.94	-	KNORR	R/KIT OVERHAUL LK.1314	LK.1314
KSK.94.1C	-	KNORR	R/KIT PLATE COMPLETE LK.13 &	LK.13.. + 15..
KSK.94.BU	-	KNORR	BUSHES FOR LK.13.. & LK.15..	LK.13.. + 15..
KSK.94.CB	-	KNORR	R/KIT CYLINDER BLOC	LK.13.. + 15..
KSK.94.CH	-	KNORR	R/KIT CYL HD ASSY LK13/15	LK.13.. + 15..
KSK.94.CR	-	KNORR	CON ROD FOR LK.13.. & LK.15.	LK.13.. + 15..
KSK.94.CS1	-	KNORR	CRANKSHAFT FOR LK.13..	LK.13.. + 15..
KSK.94.CS2	-	KNORR	CRANKSHAFT FOR LK.13.. VICKERS	LK.13.. + 15..
KSK.94.CS3	-	KNORR	CRANKSHAFT FOR LK.15..	LK.13.. + 15..
KSK.94.CS4	-	KNORR	CRANKSHAFT FOR LK.15.. VICKERS	LK.13.. + 15..



REPAIR KIT ALPHA NUMERICAL INDEX

TT PART N°	OR KIT N°	MAKER	DESCRIPTION	APPLICATION
KSK.95	-	KNORR	R/KIT OVERHAUL LK.1901	LK.1901
KSK.95.1C	1.80398.0061	KNORR	R/KIT PLATE COMPLETE LK.1900	LK.1808 / 1900
KSK.95.1CH		KNORR	CYLINDER HEAD COMPLETE LK.1813	LK.1813
KSK.95.BU	-	KNORR	BUSHES FOR LK.1808 & LK.1900	LK.1808 / 1900
KSK.95.CB	-	KNORR	R/KIT CYLINDER BLOCK	LK.1808 / 1900
KSK.95.CC		KNORR	CRANKCASE LK1901	
KSK.95.CH	-	KNORR	R/KIT CYL HEAD LK.1901	LK.1901
KSK.95.CR	-	KNORR	R/KIT CON ROD FOR LK.19...	LK.1900
KSK.95.CS		KNORR	CRANKSHAFT	
KSK.95.CS1		KNORR	CRANKSHAFT LK.1813	
KSK.95.FC		KNORR	FRONT COVER LK.1901	
KSK.99	-	KNORR	R/KIT FOR LK.3930 & LK.39...	LK.3930 / 3947
KSK.99.1	-	KNORR	PLATE ONLY FOR LK.3930 & LK.	LK.3930 / 3947
KSK.99.BU	-	KNORR	BUSHES FOR LK.3930	LK.3930 / 3947
MSK.12	766899.01	MARELLI	VALVE PLATE COMP C/W GASKETS	AC.75
MSK.12.1	-	MARELLI	R/KIT VALVES AND GASKETS AC.	AC.75
MSK.12.CH	766227.02	MARELLI	R/KIT CYL.HEAD ASSY	AC.75 / 79
MSK.12.CR	766707.02	MARELLI	R/KIT CON ROD ASSY	AC.75
MSK.120.1	-	MARELLI	MAINCASTING ACX.75	AC.75
MSK.120.2	-	MARELLI	MAINCASTING ACX.83.A / B	ACX.83.A / B
MSK.120.3	-	MARELLI	MAINCASTING ACX.83.D	ACX.83.D
MSK.120.4	-	MARELLI	MAINCASTING ACX.67	ACX.67
MSK.121.1	-	MARELLI	CRANKSHAFT ACX.67.A	ACX.67.A / AA / AG
MSK.123.1	-	MARELLI	CYLINDER HEAD COMPLETE	ACX.67
MSK.127.1	-	MARELLI	R/KIT BUSH	ACX.75 / 83
MSK.127.2	-	MARELLI	R/KIT BUSH	ACX.67 / 68 / 69
MSK.14	766903.01	MARELLI	R/KIT C/HEAD AC.67 COMPRESSOR	AC.67
MSK.16	-	MARELLI	R/KIT FOR AC/ACX.68	AC.68
MSK.18	-	MARELLI	R/KIT AC.63	AC.63
MSK.19		MARELLI	R/KIT AC.61/62	AC.61 / 62
MSK.90	766286.01	MARELLI	R/KIT GASKET + VALVES	ACX.80 / 82 / 83
MSK.90.CS	-	MARELLI	CRANKSHAFT	ACX.83
PDSK.8	-	KNORR	R/KIT VALVES 101.3383 + 3393	101.3383 + 3393 - LP.4943
SBSK.27.5P		BENDIX	'SOFT' KIT 15.5 COMPRESSOR	KZ.433.1 only
TSK.122		DBENZ	CRANKSHAFT ACTROS	ACTROS
TSK.126		DBENZ	LINER + PISTON ACTROS	ACTROS
TSK.9	323853	RVI	R/KIT RVI COMPRESSOR	RVI
TSK.9.1		RVI	R/KIT RVI COMPRESSOR	RVI MAGNUM
TSK.9.1.C		RVI	COMPRESSOR RVI (COMPLETE ASSY)	RVI MAGNUM
TSK.9.1.CB		RVI	CYLINDER BLOCK FOR TSK.9.1.C	RVI MAGNUM
TSK.9.1.CH		RVI	CYLINDER HEAD COMPLETE FOR TSK.9.1.C	RVI MAGNUM
TSK.9.C	-	RVI	COMPRESSOR RVI (COMPLETE ASSY)	RVI
TSK.9.CB	151585	RVI	CYLINDER BLOCK FOR TSK.9.C	RVI
TSK.9.CH	155152	RVI	R/KIT HD ASSY	RVI
TSK.9.CR	154836	RVI	R/KIT CON ROD ASSY	RVI
TSK.9.CS	151524	RVI	R/KIT CRANKSHAFT	RVI
VOVK.1	-	VOLVO	R/KIT COOLING PIPES	-

REPAIR KIT ALPHA NUMERICAL INDEX

TT PART N°	OR KIT N°	MAKER	DESCRIPTION	APPLICATION
VOSK.2	-	VOLVO	R/KIT COOL PIPES CONV FH12/16	-
VSK.1	-	VARGA	R/KIT HEAD EL1300/1600	EL.1300 / 1600
VSK.1.CB		VARGA	CYLINDER BLOCK	EL.1600
VSK.12	-	VARGA	C/ROD KIT STD EL1300-1600	EL.1300 / 1600
VSK.123		VARGA	CYLINDER HEAD COMPLETE	EL.1600
VSK.6	-	VARGA	R/KIT CON.ROD ASSY	EL.1300 / 1600
WSK.100	-	WABCO	R/KIT FOR 411.140 & 411.141	411.140... / 141...
WSK.100.1	-	WABCO	PLATE ONLY FOR 411.140 & 411	411.140... / 141...
WSK.100.BU	-	WABCO	BUSHES FOR 411.140 & 411.141	411.140... / 141...
WSK.100.CH	-	WABCO	COMPLETE C/HEAD FOR 411.140	411.140... / 141...
WSK.101	911145928.2	WABCO	R/KIT FOR 911.145...	911145050
WSK.102	-	WABCO	R/KIT CYL HD MAN(NEW)	51541146072
WSK.102.BB		WABCO	BALL BEARING	911.504.501
WSK.103	411153000.2	WABCO	R/KIT 911.153.001	911153001
WSK.104		WABCO	R/KIT 411.151/154	411.151... / 411.154...
WSK.104.A		WABCO	R/KIT 411.151.004	411.151.004
WSK.107	-	WABCO	R/KIT 412.442.000	412442000
WSK.107.BU	-	WABCO	BUSH FOR 412.442.000	412442000
WSK.108	-	WABCO	R/KIT 412.704.001	412.704.001
WSK.108.1		WABCO	R/KIT 412.704.000	412.704.000
WSK.108.BU		WABCO	R/KIT BUSH	412.704...
WSK.108.CH	-	WABCO	CYLINDER HEAD COMPLETE	412704001
WSK.108.CS	-	WABCO	CRANKSHAFT	412704001
wsk.109	-	WABCO	R/KIT	911.006.501 / 521 / 701
wsk.109.bu	-	WABCO	R/KIT BUSH	911006501
wsk.109.cp	-	WABCO	VALVE PLATE COMPLET	911.006.501 / 521 / 701
WSK.111	-	WABCO	R/KIT 911.155.500	884.503.044 /346 /527
Wsk.112	911145920.2	WABCO	R/KIT FOR 911.145.050/500	911.145.050 /500
WSK.113		WABCO	R/KIT 412.636...	412.636...
WSK.114	412.352.002.2	WABCO	R/KIT 412.352	412.352...
WSK.115	412.352.003.2	WABCO	R/KIT 412.352.004/005	412.352.004/005
WSK.116	412.352.006.1	WABCO	R/KIT 412.352.001/002	412.352.001/002
WSK.117	412.352.005.2	WABCO	R/KIT 412.352	412.352...
WSK.118	-	WABCO	R/KIT 412.100.8..	412.100.8..
WSK.118.CB	-	WABCO	CYLINDER BLOCK 51.54100.7073	51.54100.7073
WSK.118.CR	-	WABCO	CONN ROD COMPLETE 51.54000.7073	51.54100.7073
WSK.119	-	WABCO	R/KIT 411.154.001	411.154.001
WSK.120.1	-	WABCO	MAIN CASTING	911.504.051 / 052 / 056
WSK.120.13	-	WABCO	MAIN CASTING	911.501.010 / 011 / 015 / 016 / 056
WSK.120.17	-	WABCO	MAIN CASTING	911.503.051
WSK.120.19	-	WABCO	MAIN CASTING	911.505.050
WSK.120.2	-	WABCO	MAIN CASTING	911.504.059 / 060
WSK.120.20	-	WABCO	MAIN CASTING	412.636.001
WSK.120.21	-	WABCO	MAIN CASTING	911.506.500
WSK.120.3	-	WABCO	MAIN CASTING	911.504.501 / 503 / 504
WSK.120.4	-	WABCO	MAIN CASTING	911.505.150 / 151
WSK.120.6	-	WABCO	MAIN CASTING	412.442.000



REPAIR KIT ALPHA NUMERICAL INDEX

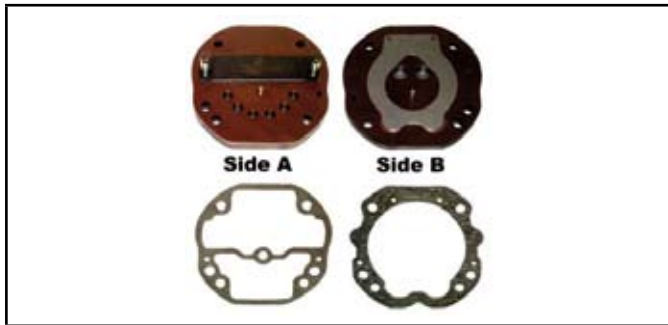
TT PART N°	OR KIT N°	MAKER	DESCRIPTION	APPLICATION
WSK.120.7	-	WABCO	MAIN CASTING	412.704.001 / 004 / 005 / 008
WSK.120.8	-	WABCO	MAIN CASTING	911.553.100
WSK.121.4	-	WABCO	CRANKSHAFT	411.034.501 / 531 / 541 / 561
WSK.121.8	-	WABCO	CRANKSHAFT	411.143.602 / 805 / 844 / 845
WSK.121.9	-	WABCO	CRANKSHAFT	911.004.531 / 715 / 808 / 851 / 896
WSK.122.1	-	WABCO	CRANKSHAFT	911.501.010/011/015/016/055/056/057/058/060/061/062/063
WSK.122.10	-	WABCO	CRANKSHAFT	911.505.050 / 051
WSK.122.11	-	WABCO	CRANKSHAFT	911.505.150 / 151
WSK.122.3	-	WABCO	CRANKSHAFT	911.503.050
WSK.122.4	-	WABCO	CRANKSHAFT	911.503.051
WSK.122.5	-	WABCO	CRANKSHAFT	911.504.051 / 052
WSK.122.7	-	WABCO	CRANKSHAFT	911.504.056
WSK.122.8	-	WABCO	CRANKSHAFT	911.504.059 / 060
WSK.122.9	-	WABCO	CRANKSHAFT	911.504.501
WSK.123.10	911.505.800.2	WABCO	CYLINDER HEAD COMPLETE	911.505.050 / 051
WSK.123.11	-	WABCO	CYLINDER HEAD COMPLETE	911.504.050 / 051 / 052
WSK.123.12	911.503.805.2	WABCO	CYLINDER HEAD COMPLETE	911.503.050
WSK.123.13	911.504.801.2	WABCO	CYLINDER HEAD COMPLETE	911.504.501
WSK.123.14	911.505.804.2	WABCO	CYLINDER HEAD COMPLETE	911.505.150 / 151
WSK.123.15	-	WABCO	CYLINDER HEAD COMPLETE	411.034.500 / 501 / 561
WSK.123.19	-	WABCO	CYLINDER HEAD COMPLETE	411.142.845 / 960 / 411.143.845
WSK.123.2	-	WABCO	CYLINDER HEAD COMPLETE	411.004....
WSK.123.21	-	WABCO	CYLINDER HEAD COMPLETE	411.034.531
WSK.123.29	412.442.000.2	WABCO	CYLINDER HEAD COMPLETE	412.442.000 / 001
WSK.123.30	412.636.920.2	WABCO	CYLINDER HEAD COMPLETE	412.636.001
WSK.123.31	911.506.923.2	WABCO	CYLINDER HEAD COMPLETE	911.506.500 / 501
WSK.123.32	-	WABCO	CYLINDER HEAD COMPLETE	911.553.002 / 100
WSK.123.33	-	WABCO	CYLINDER HEAD COMPLETE	411.151.000 / 411.153.000 / 911.153.001
WSK.123.5	911.501.800.2	WABCO	CYLINDER HEAD COMPLETE	911.501.000 / 010 / 015
WSK.123.7	911.501.802.2	WABCO	CYLINDER HEAD COMPLETE	911.501.055 / 056
WSK.124.1	411.034.500.2	WABCO	VALVE PLATE COMPLETE	411.034.501 / 531 / 541 / 561
WSK.124.10	-	WABCO	VALVE PLATE COMPLETE	911.504.501
WSK.124.11	-	WABCO	VALVE PLATE COMPLETE	911.505.150 / 151
WSK.124.2	411.141.501.2	WABCO	VALVE PLATE COMPLETE	411.140....
WSK.124.3	-	WABCO	VALVE PLATE COMPLETE	411.142.711 / 805 / 816 / 818 / 845
WSK.124.5	-	WABCO	VALVE PLATE COMPLETE	911.004....
WSK.124.8	-	WABCO	VALVE PLATE COMPLETE	911.501.060 / 061 / 911.505.050 / 051
WSK.124.9	-	WABCO	VALVE PLATE COMPLETE	911.503.050 / 051 / 911.504.051 / 052 / 056 / 059 / 060
WSK.125.1	-	WABCO	CONN ROD COMPLETE	411.034.501 / 531 / 541 / 561
WSK.125.11	-	WABCO	CONN ROD COMPLETE	911.501.000 / 001
WSK.125.12	-	WABCO	CONN ROD COMPLETE	911.501.010/011/015/016/055/056/057/058/060/061/062/063
WSK.125.14	-	WABCO	CONN ROD COMPLETE	911.504.050 / 051 / 052



REPAIR KIT ALPHA NUMERICAL INDEX

TT PART N°	OR KIT N°	MAKER	DESCRIPTION	APPLICATION
WSK.125.17	-	WABCO	CONN ROD COMPLETE	911.505.150 / 151
WSK.127.1	-	WABCO	R/KIT BUSH	911.504.050 / 051 / 052 / 056 / 059 / 060
WSK.127.2	-	WABCO	R/KIT BUSH	911.145.050 / 060 / 500 / 560 / 911.503.051 / 911.504.050
WSK.127.3	-	WABCO	R/KIT BUSH	411.034.501 / 531
WSK.127.4	-	WABCO	R/KIT BUSH	911.505.150 / 151
WSK.127.6	-	WABCO	R/KIT BUSH	411.142.711 / 805 / 816 / 818 / 845 / 411.143.602 / 805 / 844 / 845
WSK.127.7	-	WABCO	R/KIT BUSH	412.704.... / 911.501....
WSK.9.B	-	WABCO	R/KIT END BUSH (x10)	911.501 / 505
WSK.9.C	-	WABCO	R/KIT COMPLETE 911.501.011.0	911501011
WSK.9.D	-	WABCO	R/KIT 911.501.060 / 911.505.	911501060
WSK.9.E	-	WABCO	R/KIT 911.504.501	911504501
WSK.9.F	-	WABCO	R/KIT 911.504.056	911504056
WSK.9.G	-	WABCO	R/KIT 911.506	911506050
WSK.9.H	-	WABCO	R/KIT FOR 911.553.100	911553002
WSK.9.I	911553000.2	WABCO	R/KIT 911.553.000 / 001	911553000
WSK.9.K	911.506.920.2	WABCO	R/KIT 911.506.501	911.506.501
WSK.90.C	-	WABCO	R/KIT 911.504...	911504051
WSK.90.CR	-	WABCO	CONN ROD FOR 911.504 & 412.4	911.504...
WSK.92.A	-	WABCO	R/KIT 411.034	411.034.501 / 531
WSK.93	-	WABCO	R/KIT.C/W D90 RINGS 411.034	411034501
WSK.93.3	-	WABCO	R/KIT PIST & BARREL ASSY 411	411034
WSK.95.C	-	WABCO	R/KIT 911.505 (COMPLETE)	911505150
WSK.95.CR	-	WABCO	CONN ROD FOR 911.505/553-412	911.505...
WSK.96.A	411003008.2	WABCO	R/KIT 2 VALVES CYL. H. 411.0	411003
WSK.97.2		MAN	BEARING FLANGE	51.54000.7058
WSK.97.3		MAN	CON ROD COMPLETE	51.54000.7058
WSK.97.A	-	DBENZ	BARREL & PISTON ASSY (A.C.)	DB MOTOR 400 SERIES
WSK.97.CR		DBENZ	CON ROD COMPLETE	DB MOTOR 400 SERIES
WSK.97.CS		DBENZ	CRANKSHAFT	DB MOTOR 400 SERIES
WSK.97.W	-	DBENZ	BARREL & PISTON ASSY (W.C.)	DB MOTOR 400 SERIES
WSK.99	-	WABCO	R/KIT FOR 411.142.. & 411.14	411.142... / 143....
WSK.99.1	-	WABCO	PLATE ONLY FOR 411.142 & 411	411.142... / 143....
WSK.99.BU	-	WABCO	BUSHES FOR 411.142... & 411.	411.142... / 143....
WSK.99.CH	-	WABCO	COMPLET C/HEAD FOR 411.142/1	411.142... / 143....

REPAIR KIT



BOSK.2.3



BOSK.2.4



BOSK.2.7



BOSK.2.8



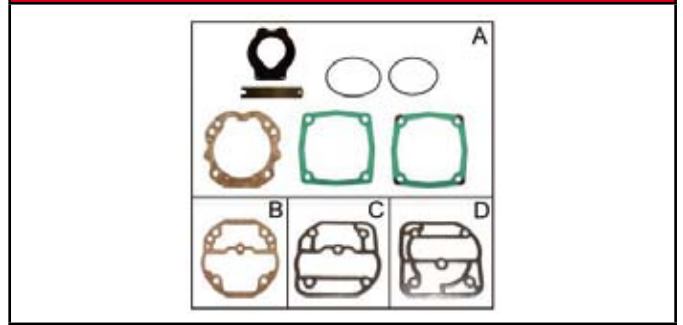
BOSK.2.8 P



BOSK.2.9



BOSK.2.10



BOSK.2C



BSK.12



BSK.12.A

REPAIR KIT



BSK.120.1



BSK.122.1



BSK.120.2



BSK.123.1



BSK.120.4



BSK.123.2



BSK.120.5



BSK.128.1



BSK.120.6



BSK.13



REPAIR KIT



BSK.13.A



BSK.15.4



BSK.14



BSK.15.5



BSK14.CB



BSK.15.6



BSK.15



BSK.15.7



BSK.15.3



BSK.15.8

REPAIR KIT



BSK.15.9



BSK.15.CH



BSK.15.CR



BSK.15.CS



BSK.17



BSK.25



BSK.27.10



BSK.27.10A



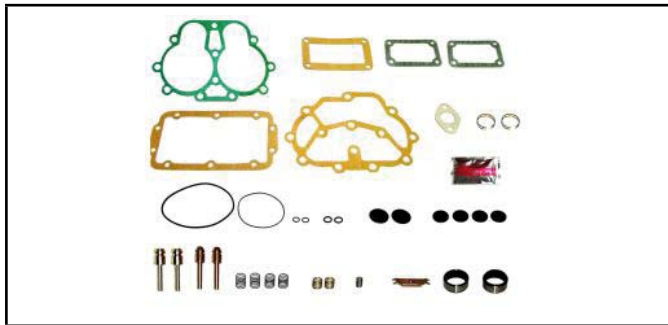
BSK.27.11



x 10

BSK.27.3

REPAIR KIT



BSK.27.5P



BSK.5



BSK.27.6



BSK.76



BSK.27.7



CDSK.3.3



BSK.27.8



CDSK.3.4



BSK.3



CDSK.3.C

REPAIR KIT



CDSK.3.CP



KMSK.120.1



CDSK.3.L



KMSK.120.2



CSK.1



KMSK.120.3



CSK.2



KMSK.123.1

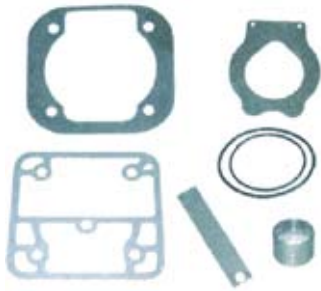


KMSK.1



KMSK.123.2

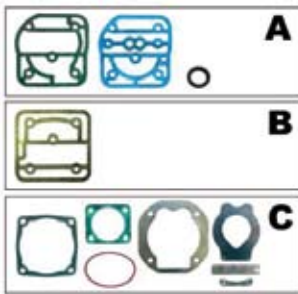
REPAIR KIT



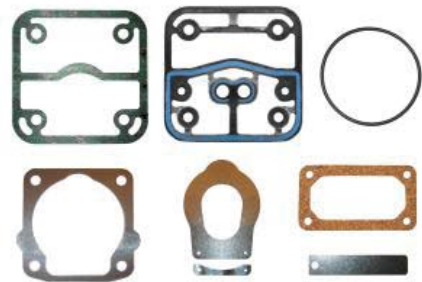
KMSK.2



KSK.100.CH



KSK.100



KSK.101



KSK.100.1



KSK.101.1



KSK.100.2



KSK.101.BU



KSK.100.BU



KSK.102

REPAIR KIT



KSK.102.BB



KSK.102.CB



KSK.103



KSK.103.BU



KSK.120.1



KSK.120.2



KSK.120.3



KSK.120.4



KSK.120.6



KSK.120.7



REPAIR KIT



KSK.122.1



KSK.122.2



KSK.122.3



KSK.122.5



KSK.123.1



KSK.123.2



KSK.123.2A



KSK.123.3



KSK.123.5



KSK.123.7

REPAIR KIT



KSK.127.2



KSK.127.3



KSK.127.5



KSK.129.1



KSK.70



KSK.9.2.CF



KSK.9.2C



KSK.9.2C.CP



KSK.9.2C.CR



KSK.9.2D

REPAIR KIT



KSK.9.2D.CP



KSK.9.2F.CP



KSK.9.2E



KSK.9.2F.CR



KSK.9.2E.CP



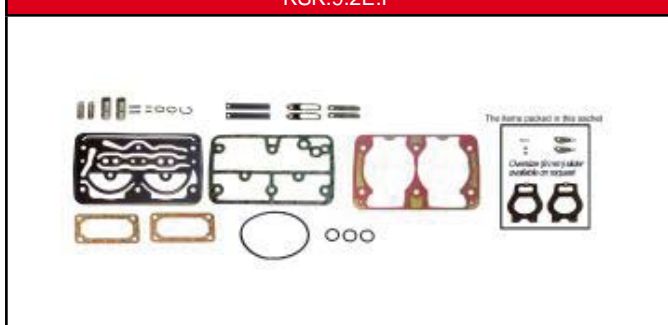
KSK.9.2F.P



KSK.9.2E.P



KSK.9.2G

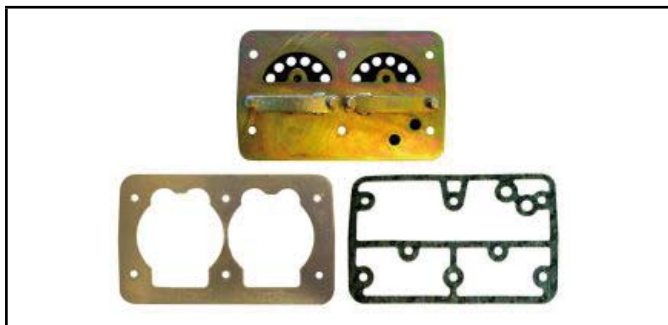


KSK.9.2F



KSK.9.2G.BU

REPAIR KIT



KSK.9.2G.CP



KSK.9.2H



KSK.9.2I



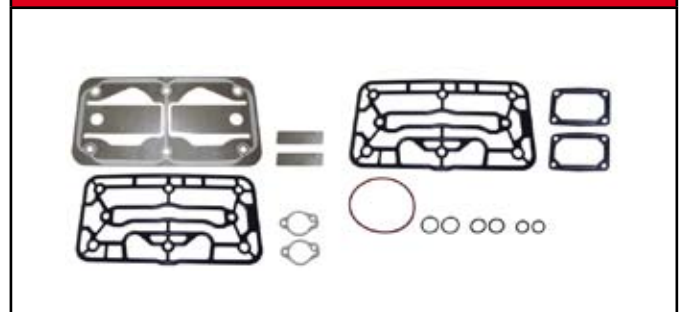
KSK.9.2I.BU



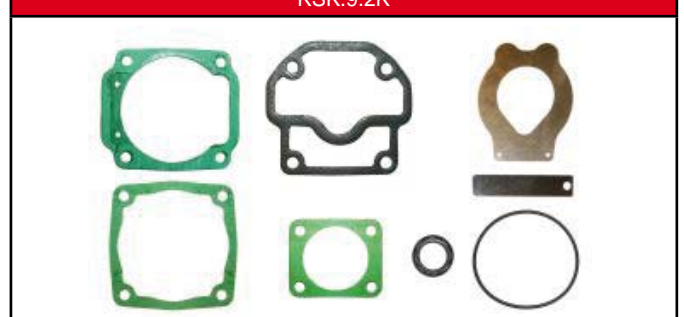
KSK.9.2J.CH



KSK.9.2J.CS



KSK.9.2K



KSK.93



KSK.93.BU



KSK.94

REPAIR KIT



KSK.94.1C



KSK.94.BU



KSK.94.CB



KSK.94.CH



KSK.94.CR



KSK.94.CS1



KSK.94.CS2



KSK.94.CS3



KSK.94.CS4



KSK.95

REPAIR KIT



KSK.95.1C



KSK.95.CH



KSK.95.1CH



KSK.95.CR



KSK.95.BU



KSK.95.CS



KSK.95.CB



KSK.95.CS1



KSK.95.CC



KSK.95.FC

REPAIR KIT



KSK.99



MSK.12.CH



KSK.99.1



MSK.12.CR



KSK.99.BU



MSK.120.1



MSK.12



MSK.120.2



MSK.12.1



MSK.120.3

REPAIR KIT



MSK.120.4



MSK.121



MSK.123.1



MSK.123.2



MSK.127.1



MSK.127.2



MSK.14



MSK.16



MSK.16.1

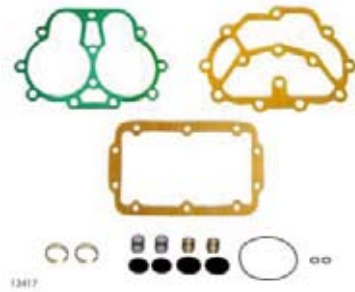


MSK.18

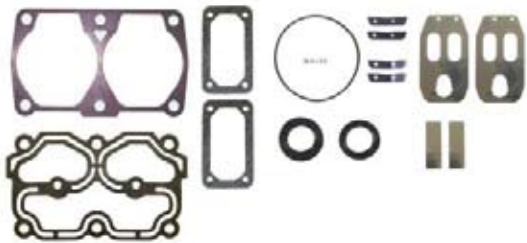
REPAIR KIT



MSK.19



SBSK.27.5P



MSK.90



TSK.12.2



MSK.90.CH



TSK.126



MSK.90.CS



TSK.9



PDSK.8



TSK.9.1

REPAIR KIT



TSK.9.1.CB



TSK.9.CR



TSK.9.1.CH



TSK.9.CS



TSK.9.C



VOSK.1



TSK.9.CB



VOSK.2



TSK.9.CH



VSK.1

REPAIR KIT



VSK.12



WSK.100



VSK.123



WSK.100.1



VSK.1CB



WSK.100.BU



VSK.6



WSK.100.CH



WSK.9.D



WSK.101

REPAIR KIT



WSK.102



WSK.108



WSK.104



WSK.108.1



WSK.104.A



WSK.108.BU



WSK.107



WSK.108.CH



WSK.107.BU



WSK.108.CS

REPAIR KIT



wsk.109



wsk.109.bu



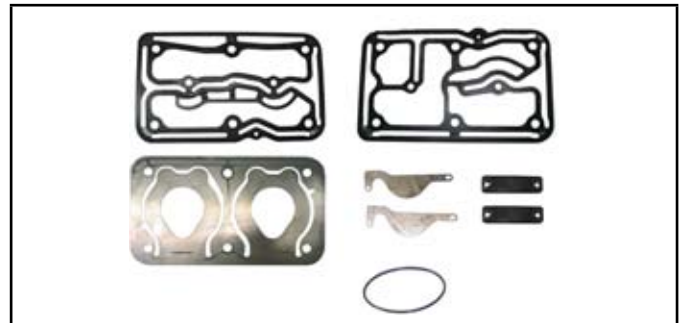
WSK.109.CP



WSK.111



Wsk.112



WSK.113



WSK.114



WSK.115



WSK.116



WSK.117

REPAIR KIT



WSK.118



WSK.118.CB



WSK.118.CR



WSK.119



WSK.120.1



WSK.120.13



WSK.120.17



WSK.120.19



WSK.120.2



WSK.120.20



REPAIR KIT



WSK.120.21



WSK.120.3



WSK.120.4



WSK.120.6



WSK.120.7



WSK.120.8



WSK.121.4



WSK.121.8



WSK.121.9



WSK.122.11

REPAIR KIT



WSK.122.5



WSK.122.7



WSK.122.9



WSK.123.10



WSK.123.11



WSK.123.12



WSK.123.13



WSK.123.14



WSK.123.15

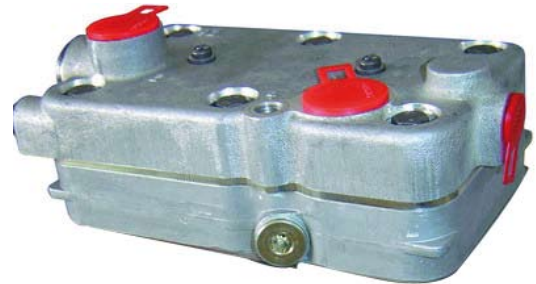


WSK.123.19

REPAIR KIT



WSK.123.2



WSK.123.32



WSK.123.21



WSK.123.33



WSK.123.29



WSK.123.5



WSK.123.30



WSK.123.7



WSK.123.31



WSK.124.1

REPAIR KIT



WSK.124.10



WSK.124.11



WSK.124.2



WSK.124.3



WSK.124.5



WSK.125.1



WSK.125.11



WSK.125.12



WSK.125.14



WSK.125.17

REPAIR KIT



WSK.127.1



WSK.127.2



WSK.127.3



WSK.127.4



WSK.127.6



WSK.127.7



WSK.9.B



WSK.9.C



WSK.9.D



WSK.9.E

REPAIR KIT



WSK.9.F



WSK.90.C



WSK.9.G



WSK.90.CR



WSK.9.H



WSK.92.A



WSK.9.I



WSK.97.A



WSK.9.K



WSK.97.CS

REPAIR KIT



WSK. 97.W



WSK. 97.C



WSK. 97.3



KNORR / MECMAN / RVI



	NUMBER	OEM N°	OEM	REPAIR KIT N°
1	SV.3302	5000587747	RVI	KSK.23.3
2	SV.3360	001.260.00.57	DAI	KSK.23.1
3	SV.3367	81.52170.6064	MAN	KSK.23.2
4	SV.3368	1662413	VOLVO	KSK.23.2A
5	SZ.1115	81.11701.6046	MAN	-
6	SZ.1124	000.430.32.26	DAI	-
5	SZ.1159	000.072.15.12	DAI	-
6	SZ.1161	000.430.49.26	DAI	-
6	SZ.1166	000.430.60.26	DAI	-
7	1319557	1319557	SCANIA	TSK.26.3
8	1669297	8172627	VOLVO	TSK.26.2
9	1669324	3092123	VOLVO	TSK.26.1
10	1068952	1654352	VOLVO	TSK.26.1
11	AE.1206	000.434.21.01	DAI	TSK.33
12	AE.1207	000.434.24.01	DAI	KSK.24.1
13	5000673571	5000673571	RVI	TSK.33
14	SZ.1226	523669	SCA	-

KONGSBERG



	NUMBER	DESCRIPTION	OEM N°	OEM
1	625522	SHIFT CYLINDER	1669937	VOL
2	625942	SHIFT CYLINDER	1306841	DAF
2	626448	SHIFT CYLINDER	252237	DAF
3	625944	GEARBOX LEVER ACTUATOR	1306842	DAF
4	626156	SELECT CYLINDER	001.260.25.63	DAI
5	626260	GEARBOX LEVER ACTUATOR	1321160	DAF
6	626261	GEARBOX LEVER ACTUATOR	1321161	DAF
6	626453	SHIFT CYLINDER	1068999	VOL
7	626321	GEARBOX LEVER ACTUATOR	000.260.40.98	DAI
8	626446	GEARBOX LEVER ACTUATOR	244863	BOV
9	626447	SHIFT CYLINDER	252236	BOV
10	626448	SHIFT CYLINDER	252237	DAF
11	626597	SHIFT CYLINDER	001.260.34.63	DAI
12	626661	GEARBOX LEVER ACTUATOR	000.260.41.98	DAI
13	626662	GEARBOX LEVER ACTUATOR	000.260.42.98	DAI
14	626664	SHIFT CYLINDER	001.260.33.63	DAI
15	627132	SHIFT CYLINDER	259366	BOV
16	627307	GEARBOX LEVER ACTUATOR	244869	BOV



KONGSBERG



17



18



19



20



21



22



23



24



25



26



27



28



29



30



31



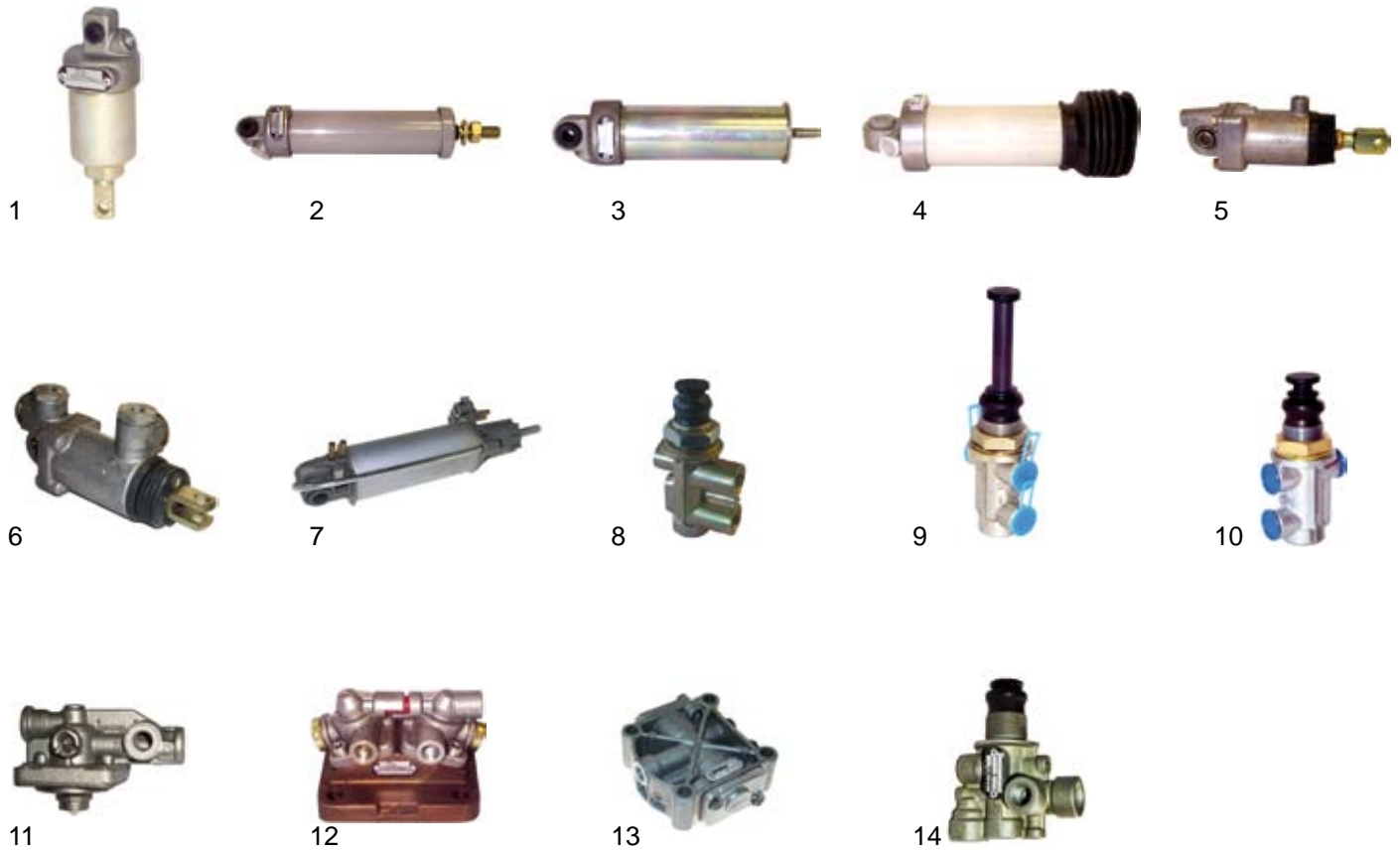
32



33

	NUMBER	DESCRIPTION	OEM N°	OEM
17	627494	SERVO SHIFT	001.260.59.63	DAI
18	627496	GEARBOX LEVER ACTUATOR	81.32655.6128	MAN
19	629138	SERVO SHIFT	001.260.91.63	DAI
20	629139	SERVO SHIFT	001.260.96.63	DAI
21	629218	SELECT CYLINDER	81.32655.6181	MAN
22	629219	SELECT CYLINDER	81.32655.6182	MAN
23	629582	GEARBOX LEVER ACTUATOR	000.260.59.98	DAI
24	629614	SHIFT CYLINDER	002.260.06.63	DAI
25	629789	SELECT CYLINDER	002.260.24.63	DAI
26	629862	GEARBOX LEVER ACTUATOR	000.260.60.98	DAI
27	629920	SHIFT CYLINDER	002.260.16.63	DAI
28	629978	GEARBOX LEVER ACTUATOR	000.260.57.98	DAI
29	629979	GEARBOX LEVER ACTUATOR	000.260.58.98	DAI
30	630388	GEARBOX LEVER ACTUATOR	000.260.61.98	DAI
31	630522	SERVO SHIFT	002.260.25.63	DAI
32	631130	GEARBOX LEVER ACTUATOR	000.260.65.98	DAI
33	631355	SELECT CYLINDER	002.260.67.63	DAI

WABCO

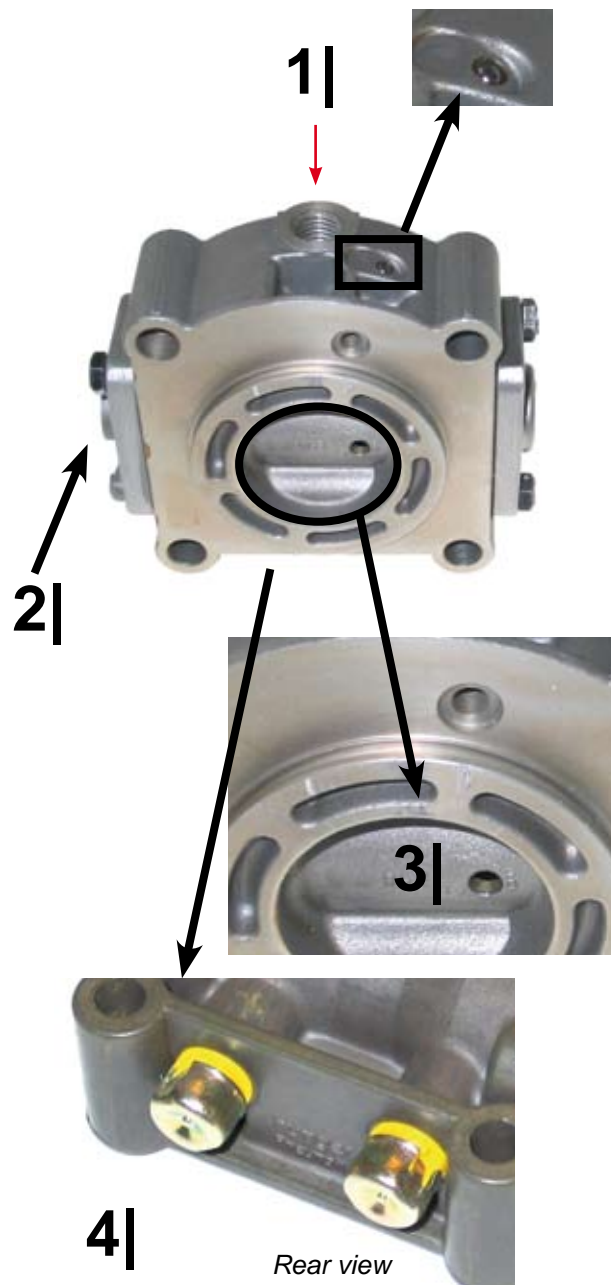
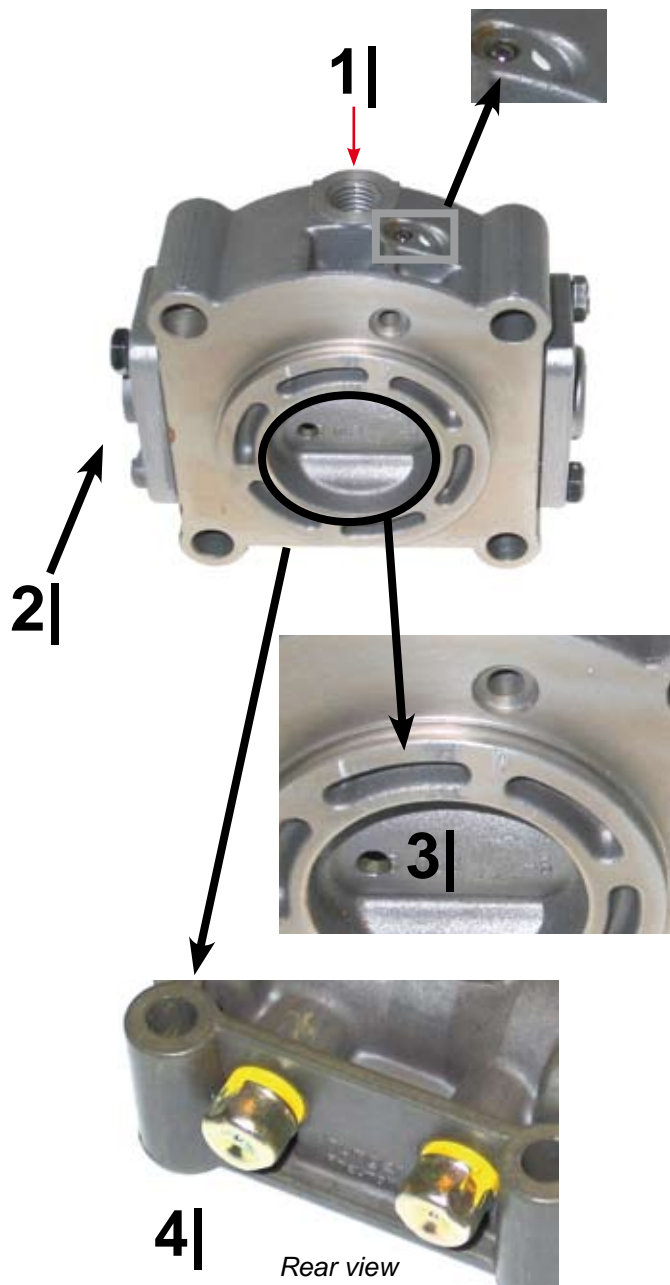


	NUMBER	OEM	OEM N°	REPAIR KIT N°
1	421.410.025	5430009821	RVI	-
2	421.411.020	000.430.01.26	DAI	-
3	421.411.021	2454370	IVECO	-
3	421.429.003	000.430.20.26	DAI	-
3	421.445.000	1673552	SCANIA	-
4	421.412.000	327.358.03.55	DAI	WSK.2.2
5	422.010.010	81.32735.6040	MAN	WSK.1.1
6	422.010.012	001.260.46.63	DAI	WSK.1.1
7	422.802.326	000.763.72.01	DAI	WSK.2
7	422.802.402	000.763.30.01	DAI	WSK.2
7	422.802.320	1518622	DAF	WSK.2
7	422.802.302	81.74910.6010	MAN	WSK.2
7	422.802.300	96024664	IVE	WSK.2
8	463.013.112	000.434.23.01	DAI	WSK.24.1
8	463.013.200	000.434.38.01	DAI	WSK.24.1
9	463.013.114	371.434.71.01	DAI	WSK.24.1
10	463.013.116	340178	SCANIA	WSK.24.1
10	463.013.124	42021846	IVE	WSK.24.1
11	463.028.111	5000587747	RVI	WSK.23.3
12	463.046.004	001.260.00.57	DAI	WSK.23.1
13	463.063.002	1662551	VOLVO	WSK.23.5
13	463.063.003	0501204597	ZF	WSK.23.5
14	463.013.210	003.997.70.36	DAI	WSK.24.1



NUMBER	OEM N°	OEM
463.063.002	001.260.06.57	DAI
replaces 463.063.004 (OEM: DAI 001.260.31.57 & ZF 0501396633)		

NUMBER	OEM N°	OEM
463.063.003	1662551	VOL
replaces 463.063.005 (OEM: VOL 1662934 & ZF 0501396632)		



1 Energy supply	4 Exhaust
2 Control port	
3 Energy delivery	

Repair kit



REPAIR KIT N°	DESCRIPTION	APPLICATION
WSK.23.5	R/KIT 463.063...	463.063.000 463.063.001 463.063.002 463.063.003 463.063.004 463.063.005

DAF
Twin circuit handle



	WABCO N°	OEM N°	OEM	REPAIR KIT N°
1	463.085.000	1285260	DAF - LEYLAND (LHD)	WSK.25.5
2	463.085.020	1285259	DAF - LEYLAND (RHD)	WSK.25.5

VOLVO
Single circuit handle



	VOL. N°	VOL. KIT N°	TT KIT
1	276312	276829	WSK.25.1
1	276314	276829	WSK.25.1
1	276824	276829	WSK.25.1
1	276826	276829	WSK.25.1
2	276828	-	WSK.25.1
2	1526553	-	WSK.25.1
1	1526594	273987	WSK.25.1
1	1526966	273987	WSK.25.1
1	1527005	276317	WSK.25.1
1	1655854	276317	WSK.25.1
2	1655981	-	WSK.25.1
1	1673106	-	WSK.25.4
1	3192256	-	WSK.25.4
1	20488058 *	-	WSK.25.4

* Complete handle available

WABCO
Single circuit handle



	WABCO N°	WAB. KIT N°	TT KIT
1	463.055.003	463.055.002.2	WSK.25.1
1	463.055.050	463.055.002.2	WSK.25.1
1	463.055.003	463.055.002.2	WSK.25.1
1	463.055.050	-	WSK.25.1
2	463.055.052	463.055.003.2	WSK.25.1
2	463.055.001	463.055.003.2	WSK.25.1
1	463.055.000	463.055.002.2	WSK.25.1
1	463.055.002	463.055.002.2	WSK.25.1
1	463.055.003	463.055.002.2	WSK.25.1
1	463.055.050	463.055.002.2	WSK.25.1
2	463.055.052*	463.055.003.2	WSK.25.1

* Complete handle available

VOLVO

Twin circuit handle

1

VOL. N°	VOL. KIT N°	TT KIT
1526593	273851	WSK.25.1 (x2)
1526965	273851	WSK.25.1 (x2)
1527004	276318	WSK.25.1 (x2)
276313	276830	WSK.25.1 (x2)
276825	276830	WSK.25.1 (x2)
1655853	276318	WSK.25.1 (x2)
276315	276830	WSK.25.1 (x2)
276827	276830	WSK.25.1 (x2)
1521394	-	WSK.25.4
3192255	-	WSK.25.4
20488052	-	WSK.25.4
20488063*	-	WSK.25.4
20493844 *	-	WSK.25.4

* Complete handle available

WABCO

Twin circuit handle

1

WABCO N°	WAB. KIT N°	TT KIT
463.049.000.0	463.055.002.2	WSK.25.1 (x2)
463.049.001.0	463.055.002.2	WSK.25.1 (x2)
463.049.002.0	463.055.002.2	WSK.25.1 (x2)
463.049.002.0	-	WSK.25.1 (x2)
463.049.002.0	463.055.003.2	WSK.25.1 (x2)
463.049.050.0	463.055.003.2	WSK.25.1 (x2)
463.049.050.0	463.055.002.2	WSK.25.1 (x2)
463.049.050.0	463.055.002.2	WSK.25.1 (x2)



REPAIR KIT ALPHA NUMERICAL INDEX

TT PART N°	ORIGINAL KIT N°	MAKER	DESCRIPTION	APPLICATION
KSK.23.1	-	-	R/KIT SV.3360 (DIAPHRAGM VERSION)	SV.3301 / SV.3360
KSK.23.2	-	-	R/KIT SV.3367	SV.3367
KSK.23.2A	SP.705	KNORR	R/KIT SV.3368	SV.3368
KSK.23.3	-	-	R/KIT SV.3302	SV.3302
TSK.26.1	-	-	R/KIT VOLVO 1669324 GEARBOX VALVE	1669324
TSK.26.2	-	-	R/KIT VOLVO 1669297 GEARBOX VALVE	1669297
TSK.26.3	-	-	R/KIT SCANIA 1319557 GEARBOX VALVE	1319557
TSK.26.4	-	-	R/KIT VOLVO 1068952 GEARBOX VALVE	1068952 / 1669298
TSK.33	-	-	R/KIT 5000673571	5000675571
WSK.1.1	422.010.001.2	WABCO	R/KIT 422.010.011 . 2 + 4	422.010.011 / 012 / 014
WSK.2	422.802.000.2	WABCO	R/KIT 422.802 / 808	422.802... / 808...
WSK.2.1	421.411.005.2	WABCO BRAZIL	R/KIT 421.411.020	421.411.020
WSK.2.2	-	-	R/KIT 421.412..	421.412....
WSK.23.1	463.046.001.2	WABCO	R/KIT 463.046.004	463.046.004.0
WSK.23.2	463.062.000.2	WABCO	R/KIT 463.062 WITH NEW PISTONS	463.062.000.0
WSK.23.3	463.028.002.2	WABCO	R/KIT 463.028.111/112/113 463.028.111/112/113	463.028.111 / 112 / 113
WSK.23.4	463.022.000.2	WABCO	R/KIT 463.022.000	463.022.000.0
WSK.23.4A	463.022.001.2	WABCO	R/KIT 463.022.020	463.022.020.0
WSK.23.5	463.063.000.2	WABCO	R/KIT 463.063...	463.063.000 / 001 / 002
WSK.25.1			R/KIT FOR 463.049.002	463.049.002
WSK.25.2	-	-	R/KIT FOR GEAR LEVER (LONG)	463.049...
WSK.25.3	-	-	R/KIT FOR GEAR LEVER (SHORT)	463.049...
WSK.25.4	463.049.000.2	WABCO	R/KIT FOR 463.049.002	463.049.002



KSK.23.1



KSK.23.2A



KSK.23.2



KSK.23.3



REPAIR KIT



TSK.26.1



TSK.26.2



TSK.26.3



TSK.26.4



TSK.33



WSK.1.1



WSK.2



WSK.2.1



WSK.2.2



WSK.23.1



REPAIR KIT



WSK.23.2



WSK.25.1



WSK.23.3



WSK.25.2



WSK.23.4



WSK.25.3



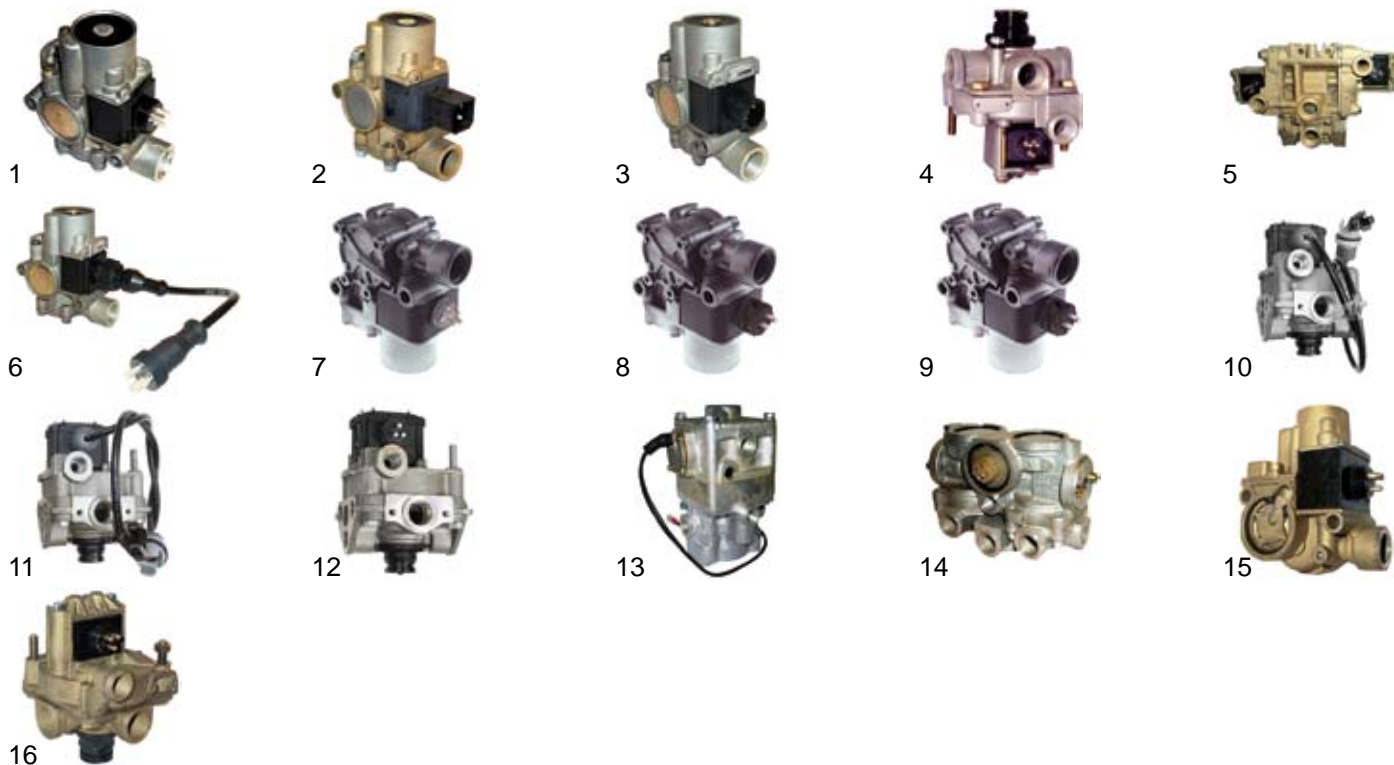
WSK.23.4A



WSK.25.4

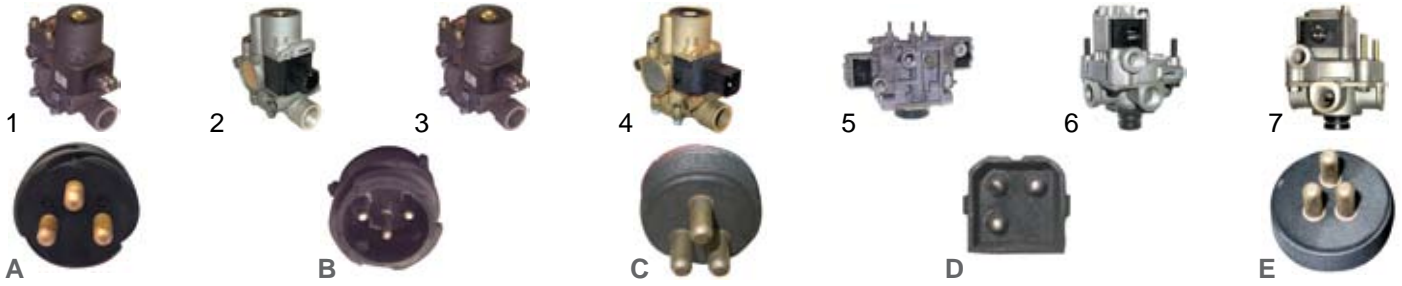


WSK.23.5



NUMBER	OEM N°	OEM	KIT N°	
1	472.195.015	5021170	RVI	WSK.57.8
1	472.195.000.0	5000790124	RVI	WSK.57.8
1	472.195.003.0	-	-	WSK.57.8
1	472.195.004.0	1397040	SCA	WSK.57.8
1	472.195.008.0	004.429.60.44	DAI	WSK.57.8
2	472.195.002.0	1609241	VOL	WSK.57.8
2	BR.9132	-	VOLVO	KSK.57.8
3	472.195.011.0	084275	DAF	WSK.57.8
3	472.195.016.0	81.52452.5019	MAN	WSK.57.8
3	472.195.018.0	1376793	SCA	WSK.57.8
4	472.195.020.0	7788061000	EVO	WSK.57.6 / 57.5D / 57.6B
4	472.195.031.0	5021170197	RVI	WSK.57.6 / 57.5D / 57.6B
5	472.195.040.0	053545	SCH	WSK.57.6 / 57.5D / 57.6B
5	472.195.041.0	5021170198	RVI	WSK.57.6 / 57.5D / 57.6B
6	472.195.921.0	-	-	WSK.57.6
7	0.265.351.101	004.426.36.44	DAI	-
7	0.265.351.108	5010151551	RVI	-
7	0.265.351.118	81.524.526.021	MAN	-
8	0.265.351.102	81.524.526.011	MAN	-
9	0.265.351.201	007.429.88.44	DAI	-
10	950.364.046	-	-	GSK.57.6 / GSK.57.6A
11	950.364.045	-	-	GSK.2.1A
12	950.364.047	-	-	GSK.57.6 / GSK.57.6A
13	950.364.104	-	-	GSK.2.C
14	950.364.211	-	-	GSK.57.2
15	BR.9131	004.426.36.44	DAI	KSK.57.8
15	BR.9133	81.52452.6011	MAN	KSK.57.8
15	BR.9150	04832741	IVECO	KSK.57.8
15	BR.9151	004.429.60.44	DAI	KSK.57.8
15	BR.9152	004.429.36.44	DAI	KSK.57.8
16	BR.9232	1325323	DAF	KSK.57.1





	PLUG	V	BOSCH	KNORR		WABCO		ALTERNATIVE	SUPPLY 1	DELIVERY 2
1	A	24	0.265.351.102	BR.9133	BR.9150	472.195.009		BR.9154	M22X1.5	M22X1.5
1	A	24	0.265.351.105					BR.9150	M22X1.5	M22X1.5
1	A	24	0.265.351.107					BR.9150	M22X1.5	M22X1.5
1	A	24	0.486.201.001					BR.9150	M22X1.5	M22X1.5
1	A	24	0.486.201.003			472.195.011			M22X1.5 VOSS	M22X1.5 VOSS
1	A	24	0.486.201.019	BR.9154				BR.9150	M22X1.5	M22X1.5
2	B	12		BR.9164	BR.9165	472.195.052			1/2NPT	1/2NPT
2	B	12				472.195.066			M22X1.5	M22X1.5
2	B	12				472.195.086			R 3/8 C	R 3/8 C
2	B	24	0.265.351.118	BR.9159		472.195.016	472.195.056		M22X1.5 VOSS	M22X1.5 VOSS
2	B	24	0.486.201.011	BR.9159				472.195.016	M22X1.5 VOSS	M22X1.5 VOSS
2	B	24	0.486.201.017	BR.9191		472.195.055		472.195.016	M22X1.5 VOSS	M22X1.5 VOSS
2	B	24		BR.9153				472.195.018	M22X1.5	M22X1.5
2	B	24		BR.9156		472.195.018	472.195.058		M22X1.5	M22X1.5
2	B	24		BR.9180				472.195.016	M22X1.5 (NG12)	M22X1.5 (NG12)
2	B	24		BR.9182		472.195.069		472.195.016	M22X1.5 (NG12)	M22X1.5 (NG12)
2	B	24		K.002526		472.195.063	472.195.065		1/2NPT	1/2NPT
2	B	24				472.195.096		472.195.063	1/2NPT	1/2NPT
3	C	12	0.265.351.104	BR.9163		472.195.005			1/2NPT	1/2NPT
3	C	12	0.486.201.002					BR.9163	1/2NPT	1/2NPT
3	C	12		BR.9166		472.195.003			M22X1.5	M22X1.5
3	C	24	0.486.201.012					BR.9190	1/2NPT	1/2NPT
3	C	24	0.486.201.008	BR.9190		472.195.006			1/2NPT	1/2NPT
3	C	24	0.265.351.101	BR.9131	BR.9152	472.195.000	472.195.004		M22X1.5	M22X1.5
3	C	24	0.486.201.018	BR.9131	BR.9152	472.195.000	472.195.004		M22X1.5	M22X1.5
3	C	24	0.265.351.109					472.195.004	M22X1.5	M22X1.5
3	C	24				472.195.007		472.195.004	M22X1.5 PARKER	M22X1.5 PARKER
3	C	24	0.265.351.114			472.195.008			M22X1.5 VOSS	M22X1.5 VOSS
3	E	12				472.195.054			M22X1.5 PARKER	M22X1.5 PARKER
3	E	24	0.265.351.108	BR.9151				472.195.015	M22X1.5	M22X1.5
3	E	24				472.195.015		BR.9151	M22X1.5 PARKER	M22X1.5 PARKER
4	D	24		BR.9132		472.195.002			M22X1.5	M22X1.5
5	B	12				472.195.044			M22X1.5	M22X1.5
5	B	24		BR.9233		472.195.041			M22X1.5	M22X1.5
5	B	24				472.195.043		472.195.041	M22X1.5	M22X1.5
5	C	24		BR.9231		472.195.040			M22X1.5	M22X1.5
6	C	24	0.265.351.202						1/2NPT	1/2NPT
6	C	24	0.265.351.201	BR.9200		472.195.020		BR.9232	M22X1.5	M22X1.5
6	C	24				472.195.025		472.195.020	M22X1.5	M22X1.5
6	C	24				472.195.022		472.195.020	M22X1.5 PARKER	M22X1.5 PARKER
7	B	24	0.486.202.011			472.195.031		BR.9234	M22X1.5	M22X1.5
7	B	24	0.486.202.010					472.195.031	M22X1.5	M22X1.5
7	B	24	0.486.202.001					472.195.031	M22X1.5	M22X1.5
7	B	24		BR.9234				472.195.031	M22X1.5	M22X1.5
7	B	12		BR.9235		472.195.033			3/4NPT	3/8NPT



	NUMBER	OEM N°	OEM	KIT N°
1	0.481.500.007	1132013	VOLVO	BOSK.31
1	0.481.500.005	81.749.106.003	MAN	BOSK.31
2	0.481.500.102	000.760.11.78	DAI	BOSK.31
2	0.481.500.101	86331350000	SETRA	BOSK.31
3	0.481.503.018	294646	SCA	-
4	1488083	1488083	SCA	TSK.26.5A
5	1457275	1457275	DAF	TSK.26.6A
5	1457276	147276	DAF	TSK.26.5C
6	1442278	1442278	SCA	TSK.27
7	20411199	20411199	VOL	TSK.32
8	338.032.001	81.436.106.103	MAN	GSK.31
8	338.050.001	8143448	VOLVO	GSK.31
9	472.002.302	000.763.25.52	DAI	WSK.31.1
10	472.017.480	4751117	IVECO	WSK.31
10	472.132.158	81.521.606.092	MAN	WSK.31.2
11	472.133.158	81.521.606.093	MAN	WSK.31.2
11	472.123.108	001.997.85.36	DAI	WSK.31.2
12	472.126.708	003.997.69.36	DAI	WSK.31.2
12	472.125.708	5010046405	RVI	WSK.31.2
13	472.127.140	1591034	VOL	WSK.31.2
14	472.128.908	000 320 19 58	DAI	WSK.31.2
15	472.172.600	1327108	DAF	-
15	472.172.604	41016825	IVE	-
15	472.173.700	000.997.09.12	DAI	-
15	472.170.606	1470633	SCA	-
15	472.170.604	110254009	NEO	-
16	338.021.001	CF352124	FRU	-
16	338.021.001	000.327.51.25	DAI	GSK.22





17



18



19



20



21



22



23



24



25



26



27

	NUMBER	OEM N°	OEM	KIT N°
17	472.172.620	502659608	LIEBHERR	-
18	472.250.003	98417040	IVE	WSK.31.7
18	472.250.007	41030395	IVE	WSK.31.7
19	472.250.000	1335961	SCA	WSK.31.7
20	472.090.202	301484	SCA	-
21	20514657	20514687	VOLVO	TSK.26.7
22	9033530	-	DAI	-
23	372.060.022	000.760.27.78	DAI	WSK.60.3
23	372.060.062	8633190000	EVO	WSK.60.3
24	20994250	20451967	VOL	-
25	0.501.100.055	20392038	VOL	-
26	0.501.100.031	3944716	VOL	-
27	472.260.005	79.10058.9123	MAN	WSK.31.10
27	472.260.011	000.430.21.09	DAI	WSK.31.10



EBS RELAY VALVE



1



2



3

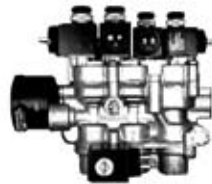
	NUMBER	OEM N°	OEM	KIT N°
1	480.202.004	005.426.12.44	DAI	WSK.58.9
2	480.202.005	1451480	DAF	WSK.58.9
3	480.205.001	004.429.91.44	DAI	WSK.57.14
3	480.205.103	1315693	DAF	WSK.57.14
3	480.205.104	81.52180.6019	MAN	WSK.57.14
3	480.205.106	005.429.36.44	DAI	WSK.57.14



Electronically controlled air suspension (ECAS)



1



1a



2

	NUMBER	OEM N°	OEM	KIT N°
1	472.900.000.0	0361620	DAF	WSK.31.3
1	472.900.001.0	81.25902.6154	MAN	WSK.31.3
1	472.900.006.0	1105670	SCANIA	WSK.31.3
1	472.900.033.0	1240836	DAF	WSK.31.3
1a	472.900.050.0	000.327.65.25	DAI	WSK.31.3
1a	472.900.056.0	81.25902.6168	MAN	WSK.31.3
1a	472.900.113.0	1383957	SCANIA	WSK.31.3
1a	472.905.107.0	000.327.61.25	DAI	WSK.31.6
1a	472.905.108.0	81.25902.6123	MAN	WSK.31.6
1a	472.905.111.0	1453164	SCANIA	WSK.31.6
2	472.900.053.0	5010143096	RVI	WSK.31.3

Electrovalves HERION



1



2



3



4



5



6



7



8

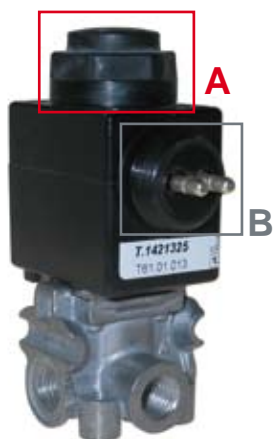


9

	NUMBER	OEM N°	TT N°	OEM	KIT N°
1	9041010.3740.02400	1340231-1536304- 1421322	T.61.01.003	SCANIA	-
2	901 1010.3740.02400	1536306-1370353-1421324	T.61.01.004	SCANIA	-
3	9042010.3740.02400	1340232 -1421323 -1536305	T.61.01.010	SCANIA	TSK.26.8
4	9012010.3740.02400	1536307 -1370354 -1421325	T.61.01.013	SCANIA	TSK.26.9
5	9041025.3746.02100	1078316	T.61.01.016	VOLVO	-
6	9042006.3743.02400	1610566 -3962640 -3986621	T.61.01.019	VOLVO	TSK.26.10
7	9041001.3743.02400	1610568 -8143019	T.61.01.020	VOLVO	TSK.26.11
8	9042001.3743.02400	1610570 -8143021	T.61.01.021	VOLVO	TSK.26.12
9	9041005.3743.02400	8158342	T.61.01.023	VOLVO	TSK.26.13



			A1	A2	A3	B1	B2	B3					SKETCH
			exhaust alu with thread M12x1.5	long exhaust with rubber	short exhaust with rubber	connectic DIN 72885	connectic special volvo	connectic M24 X 1	thread port M12 X 1.5	operating pressure 0-10 BAR	function 3/2 VALVE	function 2/2 VALVE	
1421322	SCANIA	T.61.01.003			✓			✓	✓	✓	✓		
1421324	SCANIA	T.61.01.004			✓			✓	✓			✓	
1340232	SCANIA	T.61.01.010			✓			✓	✓	✓	✓		
1421325	SCANIA	T.61.01.013		✓				✓	✓			✓	
1078316	VOLVO	T.61.01.016			✓	✓			✓	✓	✓		
1610566	VOLVO	T.61.01.019		✓			✓		✓	✓	✓		
1610568	VOLVO	T.61.01.020	✓				✓		✓	✓	✓		
1610570	VOLVO	T.61.01.021	✓				✓		✓	✓	✓		
8158342	VOLVO	T.61.01.023			✓		✓		✓	✓	✓		
1078321	VOLVO	T.61.01.017			✓	✓					✓		



ABS SENSORS



1



2



3



4



5



6

	PART NUMBER	REPAIR UNIT	DESCRIPTION
1	441.032.030.0	WSK.110	Rod sensor 3,55 m long socket
1	441.032.070.0	WSK.110	Rod sensor 3,55 m long socket
1	441.032.092.0	WSK.110	Rod sensor 3,55 m long socket
2	441.032.578.0	WSK.110.1	Rod sensor 0,4 m long socket
2	441.032.808.0	WSK.110.1	Rod sensor 0,4 m long socket
3	441.032.579.0	WSK.110.2	Rod sensor 1,0 m long socket
3	441.032.809.0	WSK.110.2	Rod sensor 1,0 m long socket
4	894.601.132.2	WSK.110.3	Cable Bayonet Din - M24x1
5	-	WSK.110.20	Cable Bayonet Din-SQUARE CONNECTOR
6	-	WSK.110.21	Cable M24x1-SQUARE CONNECTOR

REPAIR KIT ALPHA NUMERICAL INDEX

TT PART N°	ORIGINAL KIT N°	MAKER	DESCRIPTION	APPLICATION
BOSK.31	-	BOSCH	R/KIT SOLENOID VALVE 0.481.500	0.481.500.101
BOSK.32	-	BOSCH	R/KIT 0.481.500.007	0.481.500.007
BOSK.32.A	-	BOSCH	R/KIT 0.481.500 PLATE	0.481.500.007
BOSK.32.B	-	BOSCH	R/KIT 0.481.500 SOLENOID	0.481.500.007
GSK.2.1A	-	HALDEX	R/KIT ABS GIRLING + ELECTROMAGNET	364.017.001 / 950.364.104
GSK.2.2	950.364.061	HALDEX	CLICK-FIT CONNECTOR KIT	950.364.045 / 104
GSK.57.2	950.364.218	HALDEX	R/KIT SPS VALVE	364.038 / 040 / 053 / 074 - 950.364.047
GSK.57.6	-	HALDEX	R/KIT 364.115/6.021	364.115.. / 116...
GSK.57.6A	-	HALDEX	R/KIT 364.116...	364.116.021
KSK.57.1	-	KNORR	R/KIT BR.92 ...	BR.9231 / 9233
KSK.57.8	-	KNORR	R/KIT BR.91...	BR.9150 / 9151
TSK.26.5A	1364636	SCANIA	R/KIT SOLENOID 1488083	1334037 / 1488083
TSK.26.5C	1457278	DAF	R/KIT SOLENOID 1457276	1457276
TSK.26.6A	1306697	DAF	R/KIT SOLENOID 1457275	1303948 / 1457275
TSK.26.7	-	-	R/KIT SOLENOID	20514657
TSK.26.8	-	-	R/KIT SOLENOID	1340232 / 1421322
TSK.26.9	-	-	R/KIT SOLENOID	1421325
TSK.26.10	-	-	R/KIT SOLENOID	1610566
TSK.26.11	-	-	R/KIT SOLENOID	1610568
TSK.26.12	-	-	R/KIT SOLENOID	1610570
TSK.26.13	-	-	R/KIT T.8158342	T.8158342
TSK.27	-	-	R/KIT 1442278	1442278
TSK.31	-	-	R/KIT GEARBOX LEVER ASSY	000.260.40.98 - KA.626321
TSK.32	-	-	R/KIT 20411199	20411199
WSK.31	472.017.000.2	WABCO	R/KIT 472.017..	472.017...
WSK.31.1	472.002.009.2	WABCO	R/KIT 472.002.302	472.002.211 / 212 / 301 / 302
WSK.31.3	472.900.001.2	WABCO	R/KIT 472.900...	472.900.ALL
WSK.31.4	472.081.000.2	WABCO	R/KIT 472.081	472.081.000.0
WSK.31.6	472.905.000.2	WABCO	R/KIT 472.905	472.905.....
WSK.31.7	-	WABCO	R/KIT FOR 472.250.003	472.250.003
WSK.31.7A	-	WABCO	R/KIT FOR 472.250.000	472.250.000
WSK.31.10	-	-	R/KIT 472.260	472.260
WSK.31.10A	-	-	MOUNTING PLATE	472.260.004/011
WSK.57.6	-	WABCO	R/KIT 472.195.020	472.195.020
WSK.57.5D	-	WABCO	R/KIT FOR 472.195.040	472.195.040
WSK.57.5A	-	WABCO	R/KIT 472.195.031 / 041	472.195.031 / 041
WSK.57.5B	-	WABCO	R/KIT 472.195.040 / 041	472.195.040 / 041
WSK.57.5D	-	WABCO	R/KIT 472.195.020 / 040	472.195.020 / 040
WSK57.6B	-	WABCO	R/KIT 472.195.020 / 031	472.195.020 / 031
WSK.57.8	-	WABCO	R/KIT 472.195...	472.195.000 TO 019
WSK.57.11	-	WABCO	R/KIT 475.720.500	475.720.500
WSK.57.14	-	WABCO	R/KIT 480.205	480.205.001 / 480.205.103 / .104 / .106
WSK.58.9	-	WABCO	R/KIT 480.202.004	480.202.004

REPAIR KIT



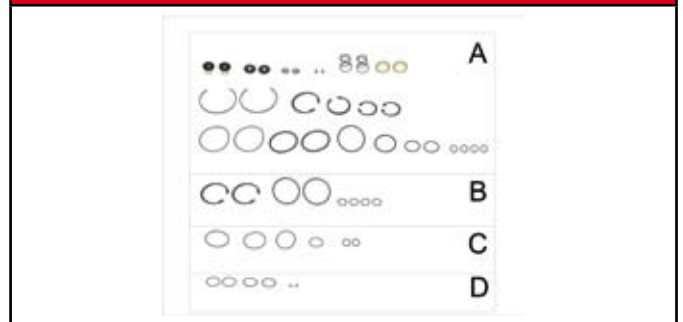
BOSK.31



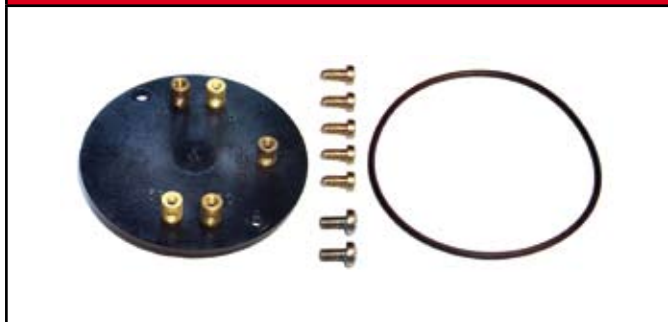
GSK.2.2



BOSK.32



GSK.57.2



BOSK.32.A



GSK.57.6



BOSK.32.B



GSK.57.6A



GSK.2.1A



KSK.57.1

REPAIR KIT



TSK.57.8



TSK.26.8



TSK.26.5A



TSK.26.9



TSK.26.5C



TSK.26.10



TSK.26.6A



TSK.26.11



TSK.26.7



TSK.26.12



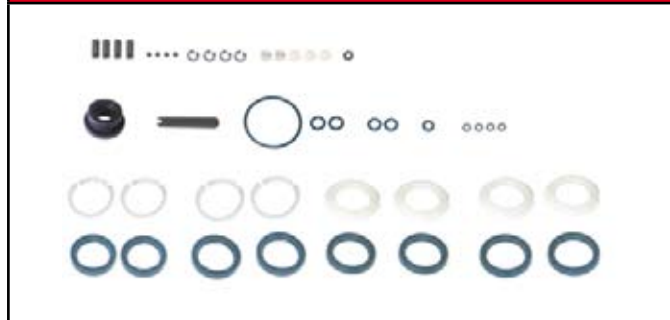
REPAIR KIT



TSK.26.13



TSK.27



TSK.31



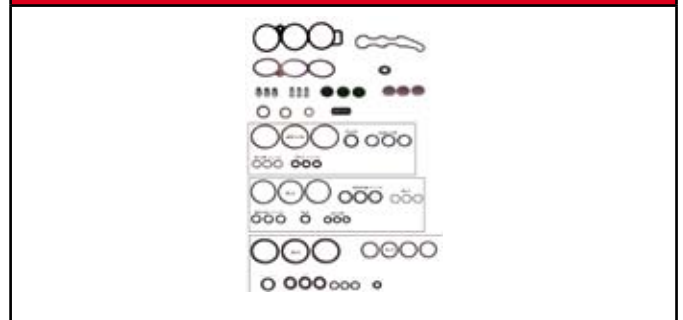
TSK.32



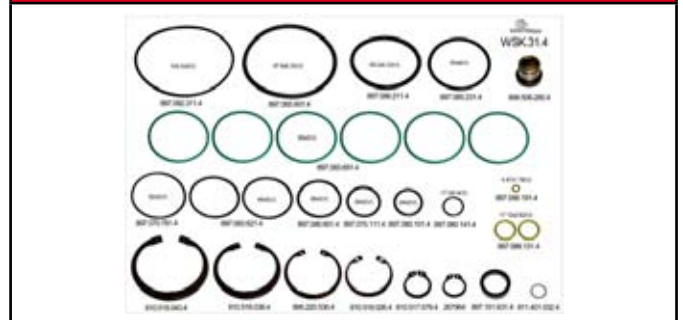
WSK.31



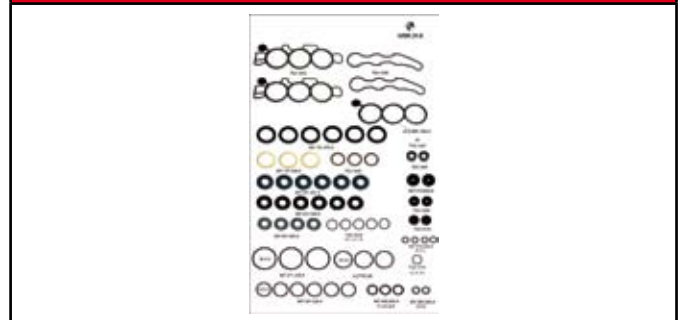
WSK.31.1



WSK.31.3



WSK.31.4



WSK.31.6



WSK.31.7

REPAIR KIT



WSK.31.7A



WSK.57.5D



WSK.31.10



WSK.57.6B



WSK.31.10A



WSK.57.8



WSK.57.6



WSK.57.11



WSK.57.5A



WSK.57.14



WSK.57.5B



WSK.58.9



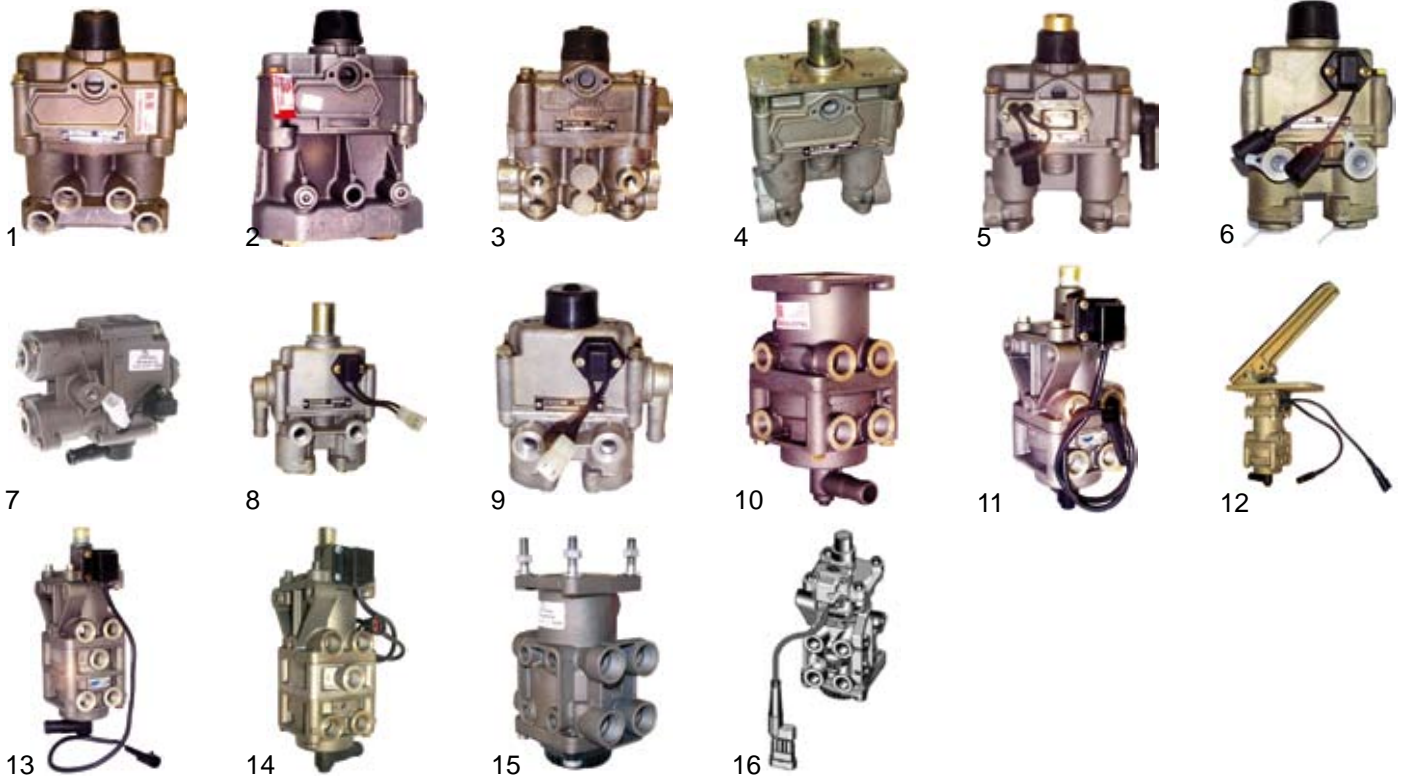
BENDIX / CLAYTON / DAHL / GRAU



	NUMBER	OEM N°	OEM	REPAIR KIT N°
1	229501	4D2237	CATERPILLAR	BSK.48
1	277863	592301	LEYLAND	BSK.48
2	279750	-	-	BSK.49
2	279951	-	-	-
2a	286171	-	-	BSK.50
3	KX.1101.1	241923Sc	SCANIA	BSK.52.C
3a	KX.1101.2	241797	SCANIA	BSK.52.C
4	APGA.6552	339557	VOLVO	CDSK.5.1
5	APGA.6620	89DB2A270ATA	FORD	CDSK.5.6
6	APSA.7314.1	573383	VOLVO	CDSK.5.4A
7	APSA.7314.1B	571106	SCANIA	CDSK.5.4A
8	102.3275.000	24817040	RVI	PDSK.6C
8a	102.3277.000	24817041	RVI	PDSK.6C
8a	102.3298.000	5010067822	RVI	PDSK.6C
9	320.060.001	-	-	GSK.45.1
9	320.060.101	-	-	-
10	286773	-	-	BSK.51
10	288383	-	-	BSK.51
11	286880	-	-	BSK.50
11	800629	-	-	-



MARELLI



	NUMBER	OEM N°	OEM	REPAIR KIT N°
1	DX.16.B	-	-	MSK.7.2
1	DX.16.D	4742113	IVECO	MSK.7.2
1	DX.16.DY	4772580	IVECO	MSK.7.2
2	DX.19.A	61607360	IVECO	MSK.7.2
3	DX.25.A	4743059	IVECO	-
4	DX.26.A	42043859	IVECO	MSK.7.4
5	DX.26.B	42071275	IVECO	MSK.7.4
6	DX.50.A	4770691	IVECO	MSK.7
6	DX.50.AX	4845077	IVECO	MSK.7.1
7	DX.51.CX	4845076	IVECO	MSK.7.1
8	DX.52.B	-	-	MSK.7.1
8	DX.52.BY	42122162	IVECO	MSK.7.1
9	DX.53.AX	-	-	MSK.7.1
10	DX.70.A	354611	SCANIA	MSK.4.5 or MSK.4.1*
10	DX.70.C	1314047	SCANIA	MSK.4.5 or MSK.4.1*
10	DX.81.D	461159	SCANIA	MSK.4.6
11	DX.75.B	99435640	IVECO	MSK.4.5 or MSK.4.4
11	DX.75.BAY	-	-	MSK.4.5 or MSK.4.4
12	DX.80.A	-	-	MSK.4.5 or MSK.4.4
12	DX.80.D	469052	SCANIA	MSK.4.5 or MSK.4.4
13	DX.95.B	99435645	IVECO	MSK.4.5 or MSK.4.4
13	DX.95.BY	-	-	MSK.4.5 or MSK.4.4
14	DX.95.F	-	-	MSK.4.5 or MSK.4.4
14	DX.60.A	41211283	IVECO	MSK.4.5
15	DX.61.A	1371595	DAF	MSK.7.6
16	DX.65.A	500385203	IVECO	-
16	DX.65.B	504052063	IVECO	-
16	DX.65.C	504100604	IVECO	-



BOSCH



1



2



3



4



5



6



7



8



9

	NUMBER	OEM N°	OEM	REPAIR KIT N°
1	0.481.008.041	365568	VOLVO	-
1	0.481.008.048	8283915000	SETRA	-
2	0.481.064.002	001.431.72.05	DAI	BOSK.4
3	0.481.064.003	5516015929	RVI	BOSK.5.4
4	0.481.064.005	79200360036	STEYR	BOSK.5
4	0.481.064.107	6779937	VOLVO	BOSK.5
4	0.481.064.108	6779938	VOLVO	BOSK.5
4	0.481.064.201	345325	SCANIA	BOSK.5
4	0.481.064.106	002.431.98.05	DAI	BOSK.5
5	0.481.064.011	002.431.58.05	DAI	BOSK.5
5	0.481.064.016	003.431.89.050	DAI	BOSK.5
6	0.481.064.006	5000446893	RVI	BOSK.5
6	0.481.064.103	002.431.80.05	DAI	BOSK.5
6	0.481.064.113	003.431.40.05	DAI	BOSK.5
7	0.481.064.105	598125	VOLVO	BOSK.5.1
7	0.481.064.115	1598125	VOLVO	BOSK.5.1
8	0.481.064.110	81.523.206.103	MAN	BOSK.5.6
8	0.481.064.209	81.523.206.084	MAN	BOSK.5.6
8	0.481.064.210	81.52320.6122	MAN	BOSK.5.6
9	0.481.064.205	002.431.70.05	DAI	BOSK.5
9	0.481.064.206	002.431.71.05	DAI	BOSK.5



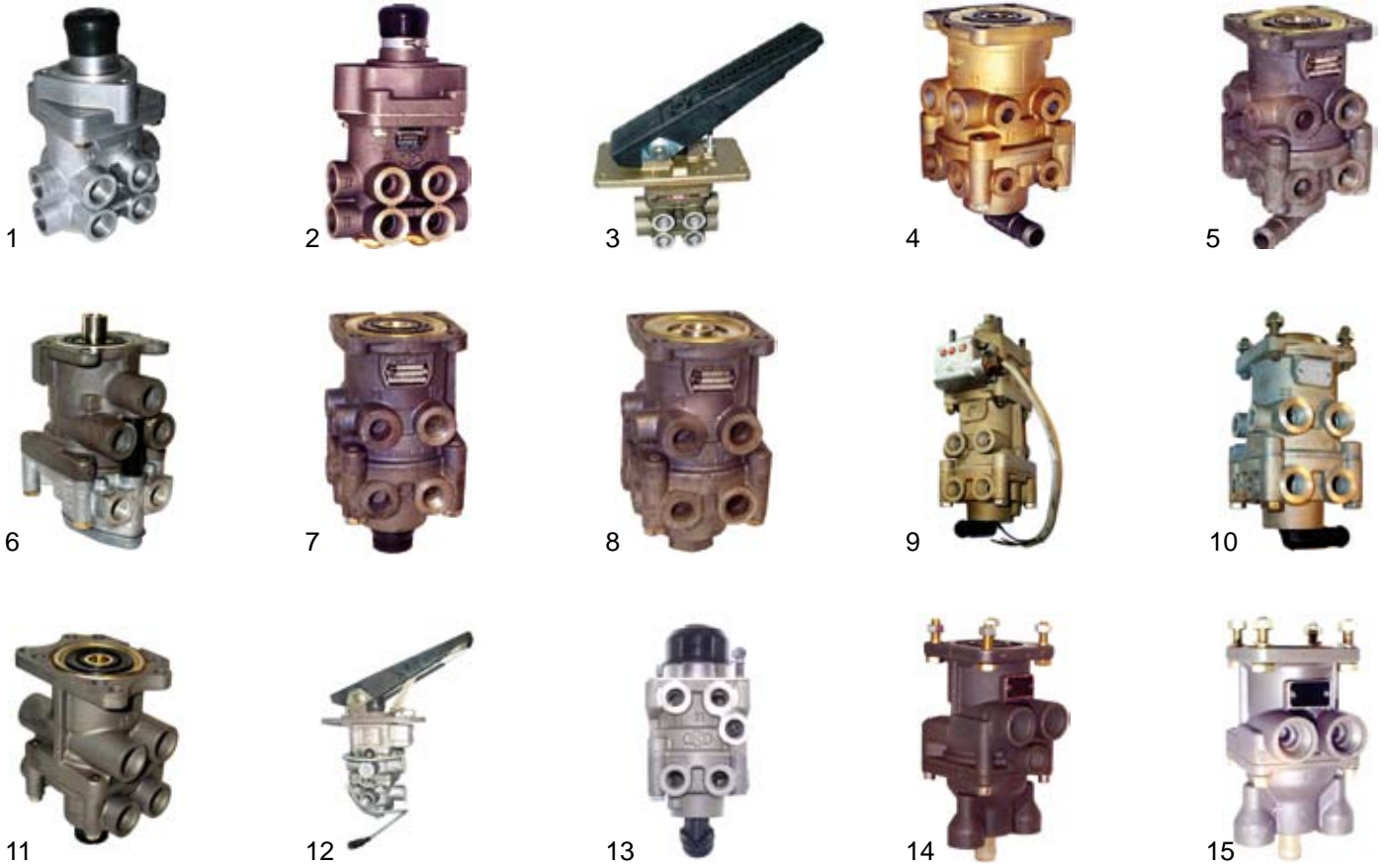
BOSCH



	NUMBER	OEM N°	OEM	REPAIR KIT N°
10	0.481.064.601	345325	SCANIA	BOSK.5.2
11	0.481.064.603	571189	SCANIA	BOSK.5.9
12	0.481.064.701	345326	SCANIA	BOSK.5.2
12	0.481.064.702	345327	SCANIA	BOSK.5.2
13	0.486.200.002	1385439	SCANIA	BOSK.5.9
13	0.486.200.008	1428512	SCANIA	BOSK.5.9
13	0.486.200.009	571176	SCANIA	BOSK.5.9
14	0.486.200.101	5010260394	RVI	-
14	0.486.200.104	5010422013	RVI	-
15	0.486.200.202	70313316	VOLVO	-
16	0.481.064.212	-	-	BOSK.5
17	0.481.064.214	003.431.64.05	DAI	BOSK.5
18	0.481.064.301	5000923867	RVI	BOSK.5
19	0.481.064.401	8285065000	SETRA	BOSK.5.2
20	0.481.064.405	-	-	BOSK.5.2



KNORR



NUMBER	OEM N°	OEM	REPAIR KIT N°	
1	MB.4419	2454645	IVECO	KSK.45
2	MB.4477	42050090	IVECO	KSK.45.1
3	MB.4510	81.521.306.021	MAN	KSK.45
3	MB.4523	42052142	IVECO	-
4	MB.4611	5001824815	RVI	KSK.46
5	MB.4613	5001829059	RVI	KSK.46
5	MB.4630	022.431.27.05	DAI	KSK.46
5	MB.4636	665062	DAF	KSK.46
6	MB.4631	81.523.206.063	MAN	KSK.46
7	MB.4643	592987	DAF	KSK.46
8	MB.4648	92075	DAF	KSK.46
9	MB.4665	5010019868	RVI	-
10	MB.4690	1628491	VOLVO	-
10	MB.4849	20410545	VOLVO	KSK.46.8
11	MB.4694	1337184	DAF	KSK.46
12	MB.4710	81.521.306.063	MAN	KSK.46.1
13	MB.4803	81.52320.6143	MAN	KSK.46.7
13	MB.4805	81.52320.6144	MAN	KSK.46.7
13	MB.4806	81.52130.6130	MAN	KSK.46.7
13	MB.4821	81.521.362.28	MAN	KSK.46.7
13	MB.4837	91.52130.6240	MAN	KSK.46.7
14	MB.4661	003.431.64.05	DAI	KSK.46.10
15	MB.4644	002.431.87.05	DAI	KSK.46.5



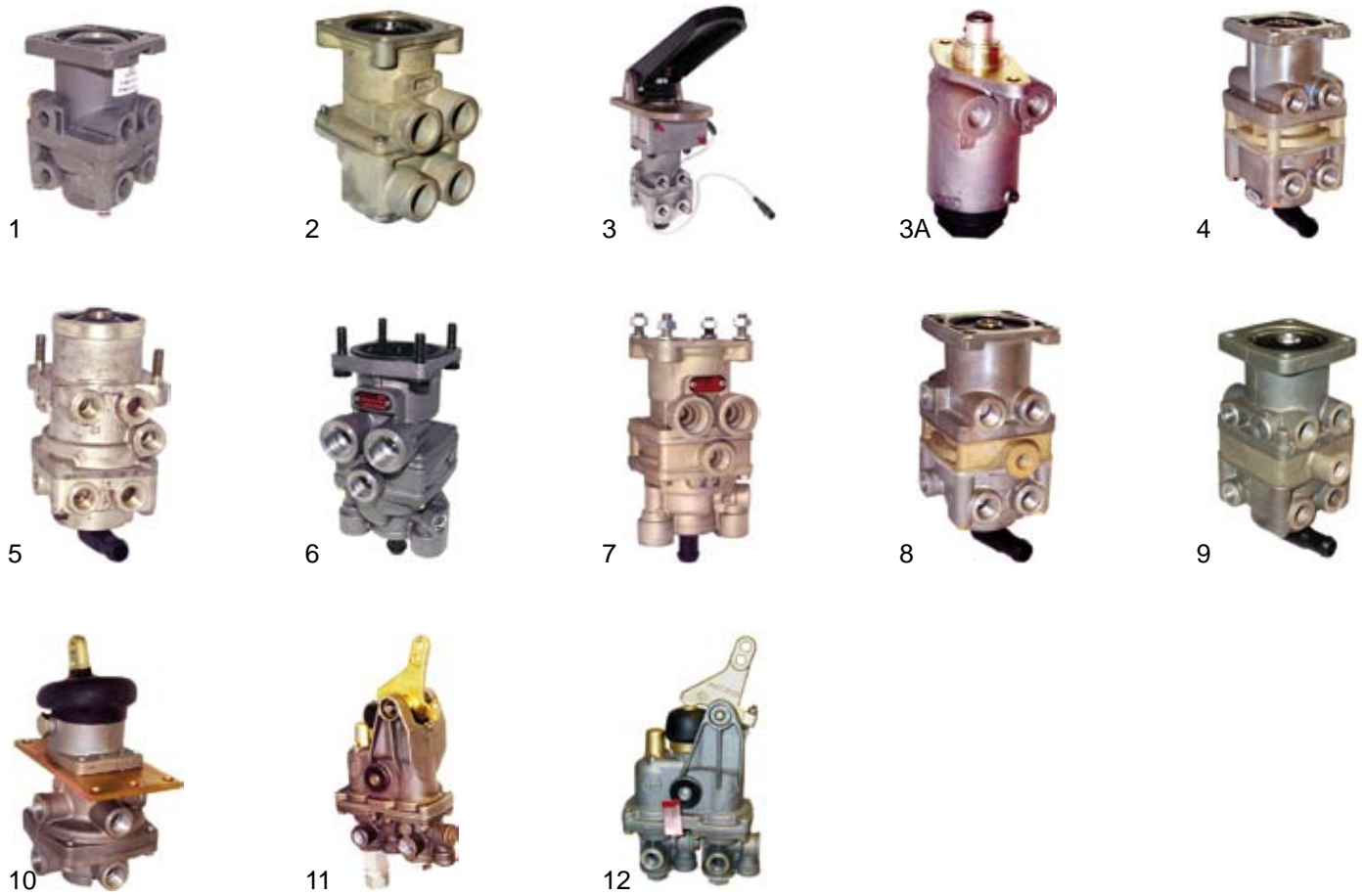
WABCO



	NUMBER	DRAWING	PORTS	STROKE	Predominance	Exhaust type	OEM N°	OEM	KIT N°
1	461.315.004		4xM 16x1,5 2xM 12x1,5	15,1	0,3	A	002.431.54.05	DAI	WSK.19.12
1	461.315.008		8xM 16x1,5	15,1	0,3	A	457735 001.431.83.05	SCA DAI	WSK.19.12
1	461.315.042		8xM 16x1,5 2xM 12x1,5	14	-	A	1613328	VOL	WSK.19.3
1	461.315.150		4xM 16x1,5	15,1	-	A	5000877131 5010056341 5021170167	RVI	WSK.19.3
2	461.315.019		8xM 16x1,5	14	0	B	385759	DAF	WSK.19.4
2	461.315.026		8xM 16x1,5	14	0,4	B	92070	DAF	WSK.19.12
2	461.315.027		8xM 16x1,5	14	0,4	B	92073	DAF	WSK.19.4
2	461.315.474		4xM 16x1,5 2xM 12x1,5	14	0,4	B	92071	DAF	WSK.19.12
2	461.315.495		4xM 16x1,5 2xM 12x1,5	14	0,3	E	-	-	WSK.19.12
3	461.315.036		4xM 16x1,5	14	0,3	C	002.431.58.05	DAI	WSK.19.12
4	461.315.081		4xM 16x1,5	14	0,5	D	81.52320.6086 81.52320.6088 81.52320.6099 81.52320.6103	MAN	WSK.19.12
5	461.315.180		Flange with 5xØ12	14	0	F	10571189 1324463 1324663 1324664 571190	SCA	WSK.19.10
6	461.315.263		4xM 22x1,5 VOSS	14	0,5	F + G	004.431.41.05 152226	DAI DAF	WSK.19.13



WABCO



	NUMBER	OEM N°	OEM	REPAIR KIT N°
1	461.315.250	002.431.80.05	DAI	WSK.19.6
2	461.315.259	1518780	DAF	WSK.19.6
3	461.328.000	81.52130.6087	MAN	WSK.19.12 - WSK.19.8
3a	461.324.520	81.52161.6205	MAN	WSK.19.8
4	461.319.008	002.431.05.05	DAI	WSK.19.12
4	461.319.018	002.431.07.05	DAI	WSK.19.12
4	461.319.032	002.431.93.05	DAI	WSK.19.12
5	461.319.090	81.52320.6091	MAN	WSK.19.15
5	461.319.250	003.431.63.05	DAI	WSK.19.16
6	461.319.260	002.431.81.05	DAI	WSK.19.12
6	461.319.270	002.431.82.05	DAI	WSK.19.2
6	461.319.272	004.431.25.05	DAI	-
7	461.319.271	1518070	DAF	WSK.19.6
7	461.319.275	003.431.71.05	DAI	WSK.19.6
7	461.319.280	1518071	DAF	WSK.19.6
8	461.319.701	345326	SCA	WSK.19.12
9	461.319.702	345327	SCA	WSK.19.12
10	461.491.100	640249	PEG	WSK.18
10	461.491.102	4500822	IVE	WSK.18
11	461.494.001	24543065	RVI	-
12	461.494.020	5000181149	RVI	-



WABCO



13



14



15



16



17



18



19



20



21



22



23



24

	NUMBER	OEM N°	OEM	REPAIR KIT N°
13	461.494.100	5000545370	RVI	WSK.2.1
14	461.494.109	5000451706	RVI	WSK.19.12
15	461.494.110	5010097390	RVI	WSK.19.12
16	461.494.500	5010260388	RVI	WSK.19.11
17	461.499.030	5000028622	RVI	WSK.2.1
18	461.499.054	5000024010	RVI	WSK.2.1
19	461.319.273	004.431.44.05	DAI	-
19	461.319.274	004.431.49.05	DAI	-
20	480.001.000	004.431.22.05	DAI	-
20	480.001.005	004.431.63.05	DAI	-
21	480.001.010	1518130	DAF	-
22	480.001.011	003.431.86.06	DAI	-
23	480.001.300	41032229	IVE	-
24	480.001.500	1455027	DAF	-



REPAIR KIT ALPHA NUMERICAL INDEX

TT PART N°	ORIGINAL KIT N°	MAKER	DESCRIPTION	APPLICATION
BOSK.4	1.487.010.035	BOSCH	KIT BASIC VLVE 0.481.064.007	0.481.064.001 / 002 / 007 / 008
BOSK.5	1.487.010.060	BOSCH	R/KIT 0.481.064.1.. + 2..	0.481.064.005 / 006 / 102 / 201
BOSK.5.1	1.487.010.204	BOSCH	R/KIT 0.481.064.105	0.481.064.105
BOSK.5.2	1.487.010.219	BOSCH	R/KIT 0.481.064.701+702	0.481.064.701 / 702
BOSK.5.4	1.487.010.179	BOSCH	R/KIT 0.481.064.003	0.481.064.003
BOSK.5.6	1.487.010.136	BOSCH	R/KIT 0.481.064.110	0.481.064.104 / 110 / 207 / 209
BOSK.5.9	-	BOSCH	R/KIT 0.481.064.603	0.481.064.603 + 0.486.200.008
BOSK.5.9C	-	BOSCH	R/KIT 0.481.064.603 (COMPLETE)	0.481.064.603 + 0.486.200.008
BSK.48	276119	BENDIX	R/KIT E.2 - E.3	E.2 - E.3 FOOT VALVE
BSK.49	289332	BENDIX	R/KIT E.4	E.4 FOOT VALVES
BSK.49.C	105028	BENDIX	R/K COMPLETE E.4	E.4 FOOT VALVES
BSK.50	286171	BENDIX	R/KIT FOOT VALVE E.6	267064 + 267065
BSK.51	289352	BENDIX	R/KIT E.7	286773 + 287411
BSK.52	SK.2648.1	BENDIX	R/KIT DELTA FOOT VALVE	KX.1101.1
BSK.52.C	SK.2648.1	BENDIX	R/KIT COMPL.DELTA FOOT VALVE	KX.1101.1
BSK.71	202551	BENDIX	R/KIT R.12	R.12 FOOT VALVES
CDSK.5	GA.28627	CLAYTON	R/KIT FOR APGA.62..(FORD)	APGA.6237 / 6246 / 6270 / 6326
CDSK.5.1	GA.28675	CLAYTON	R/KIT - APGA.6552 / 6553 (VOLVO)	APGA.6205 / 6220 / 6552 / 6553
CDSK.5.2	GA.28752	CLAYTON	R/KIT APGA.6325 / 6370 (DODGE)	APGA.6325 / 6360 6370 / 6438
CDSK.5.4A	GA.29102	CLAYTON	R/KIT - APSA.7314 (VOLVO/SCANIA)	APSA.7314 / 7314.1 / 7314.1B
CDSK.5.4B	-	CLAYTON	R/KIT PISTONS & ACCESSORIES	APSA.7314 / 7314.1 / 7314.1B
CDSK.5.6	GA.29308	CLAYTON	R/KIT - DB.4 (FORD CARGO)	APGA.6620 / 6661 / 9716
CDSK.5.7	GA.29102	CLAYTON	R/KIT DB.3 (MINOR)	APSA.7314 / 7314.1 / 7314.1B
GSK.45.1	950.320.020	GRAU	R/KIT FOR 320.060/2/3	320.060 / 062 / 063
GSK.46	502.001.001	GRAU	R/KIT BERG RE.4	201.002.001 + 320.040 + 043
JSK.18.1	9324-2046	JKC	R/KIT 'E' JKC (ISUZU)	JKC ISUZU FOOT VALVE
JSK.18.5	9324-0168	JKC	R/KIT 'E' JKC (ISUZU)	JKC ISUZU FOOT VALVE
KSK.45	I.67711	KNORR	R/KIT MB.4419	MB.4419 / 4428 / 4434 / 4514
KSK.45.1	I.76994	KNORR	R/KIT MB.4476/7	MB.4476 / 4477
KSK.46	I.83842	KNORR	R/KIT MB.4636	MB.4611 / 4630 / 4631 / 4636
KSK.46.6	-	KNORR	R/KIT MB.4694	MB.4694
KSK.46.1	I.76535	KNORR	R/KIT MB.4710	MB.4602 / 4710
KSK.46.2	I.92238.008	KNORR	R/KIT FOR MB.4658 (SIMPLIFIED)	MB.4658
KSK.46.3	I.90964	KNORR	R/KIT FOR MB.4679 (SIMPLIFIED)	MB.4679
KSK.46.4	II.19429.008	KNORR	R/KIT MB.4819 II.19429	MB.4819 II.19429
KSK.46.5	I.83571	KNORR	R/KIT MB.4730/46	MB.4730 / 4746
KSK.46.6	-	KNORR	R/KIT MB.4694	MB.4694
MSK.4.1	766482.02	MARELLI	R/KIT	DX.70 / DX.70.A / DX.72
MSK.4.4	-	-	R/KIT DX.75.B/95.B COMPLETE	DX.75.B / DX.95.b
MSK.4.5	-	KNORR	R/KIT DX.70 / 70.A / 70.C / 72 / 75 / 95	DX.70 / 72 / 75 / 95
MSK.4.6	766370.04	MARELLI	R/KIT DX.80	DX.80
MSK.4.A	757432.01	MARELLI	R/KIT SQUARE CONNECTOR	DX.75.A / 75.B / 95.A
MSK.7	766505.01	MARELLI	R/KIT COMPLETE DX50A/AA/52B	DX.50.A
MSK.7.1	766412.01	MARELLI	R/KIT COMPLETE DX50AX / 51 / 52	DX.50.AX
MSK.7.2	766857.01	MARELLI	R/KIT DX.16.A/B/C/D/DX/DY-DX	DX.16.A / 19A / 23A



REPAIR KIT ALPHA NUMERICAL INDEX

TT PART N°	ORIGINAL KIT N°	MAKER	DESCRIPTION	APPLICATION
MSK.7.4	766578.02	MARELLI	R/KIT DX.26A (NEW MODEL)	DX.26.B / DX.26.A NEW
MSK.7.5	766574.01	MARELLI	R/KIT DX.10.A	DX.10.A
MSK.7.A	766492.01	MARELLI	R/KIT SQUARE CONNECTOR	DX.50 / 51 / 52
MSK.7.B	766496.01	MARELLI	R/KIT ROUND CONNECTOR	DX.50.A/AX
PDSK.6C	-	-	R/KIT FOR MINIPLUS COMPLET	102.3172 / 3179 / 3277 / 3299
WSK.18	461.307.002.2	WABCO	R/KIT DUAL FOOT-VALVE	461.307.... / 310...
WSK.18.4	RK.2413	FAG	R/KIT SLAVE CYL FAG	FAG SLAVE CYLINDER
WSK.18.4C	-	WABCO	R/K HYD. PISTON ASSY FAG DESIGN	470.012.520
WSK.18.5	-	WABCO	R/KIT 461.307 VULCANIZED VALVES	461.307..
WSK.18.6	461.106.000.2	WABCO	R/KIT 461.106 + 461.195-OBS	461.106... / 295...
WSK.19.10C	-	WABCO	R/KIT 461.315.180	461.315.180
WSK.19.11	-	WABCO	R/KIT 461.494.500	461.494.500 / 502
WSK.19.12	461.319.908.2	WABCO	R/KIT - 461.315 + 319 + 321	461.315.008 + 461.319.008
WSK.19.14	-	WABCO	R/KIT 480.001.000	480.001.000
WSK.19.15	461.315.924.2	WABCO	R/KIT 461.315.180	461.315.180
WSK.19.2	461.319.002.2	WABCO	R/KIT 461.319.260 / 270	461.319.260 + 270
WSK.19.3	461.315.900.2	WABCO	R/KIT 461.315 WITH LIP SEAL	461.315.023 / 043 / 479
WSK.19.6	461.315.902.2	WABCO	R/KIT 461.315.250/1/4/5/8	461.319.250 + 280
WSK.19.8	461.324.000.2	WABCO	R/KIT 461.324...	461.324.5..
WSK.19.13	461.315.264	WABCO	R/KIT FOR 461.315.264	461.315.264
WSK.20	-	WABCO	R/KIT 461.499....	461.499.005 + 024
WSK.21	461.494.003.2	WABCO	R/KIT 461.494....	461.494.100 / 103 / 105 / 106



BOSK.4



BOSK.5.1



BOSK.5



BOSK.5.2



REPAIR KIT ALPHA NUMERICAL INDEX



BOSK.5.4



BSK.49



BOSK.5.6



BSK.49.C



BOSK.5.9



BSK.50



BOSK.5.9C



BSK.51



BSK.48



BSK.52

REPAIR KIT



BSK.52.C



CDSK.5.4A



BSK.71



CDSK.5.4B



CDSK.5



CDSK.5.6



CDSK.5.1



CDSK.5.7



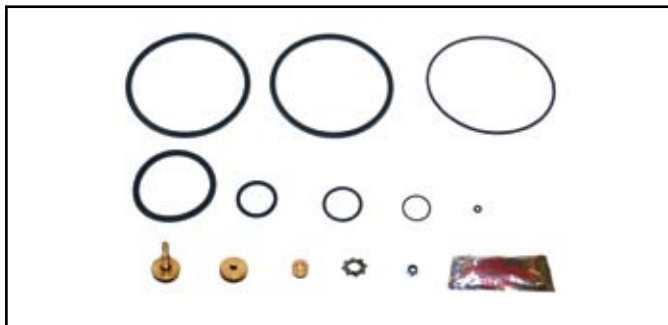
CDSK.5.2



GSK.45.1



REPAIR KIT



GSK.46



KSK.46



JSK.18.1



KSK.46.1



JSK.18.5



KSK.46.2



KSK.45



KSK.46.3



KSK.45.1



KSK.46.5

REPAIR KIT



KSK.46.6



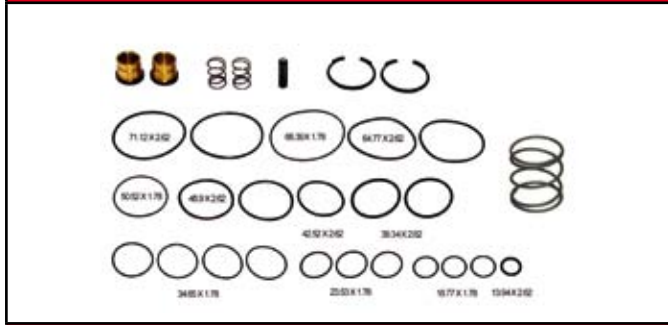
MSK.4.A



MSK.4.1



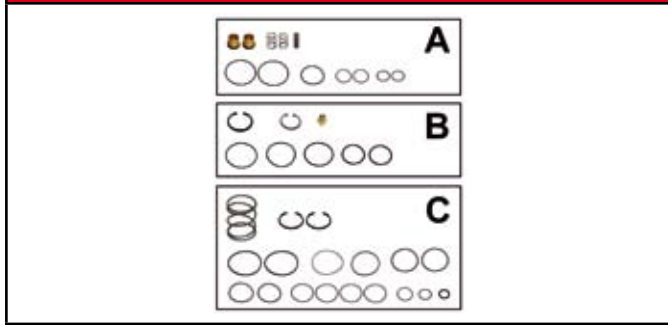
MSK.7



MSK.4.4



MSK.7.1



MSK.4.5



MSK.7.2



MSK.4.6



MSK.7.4



REPAIR KIT



MSK.7.5



MSK.7.A



MSK.7.B



PDSK.6C



WSK.18



WSK.18.4



WSK.18.4C



WSK.18.5



WSK.18.6

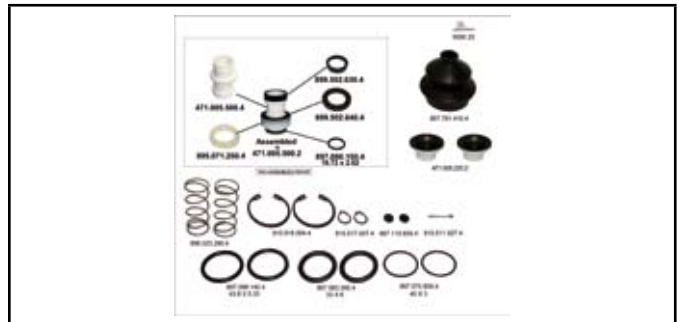


WSK.19.10C

REPAIR KIT



WSK.19.6



WSK.20



WSK.19.8



WSK.21



WSK.19.13



ALL MAKES



1



2



3



4



5



6



7



8

	ORIGINAL N°	MAKER	OEM N°	OEM	REPAIR KIT N°
1	1189394	BENDIX	3944255	VOLVO	BSK.37.1
1	1189396	BENDIX	3944251	VOLVO	BSK.37.1
1	267100	BENDIX	3944255	VOLVO	BSK.37.1
1	272126	BENDIX	3944251	VOLVO	BSK.37.1
1	275508	BENDIX	1503492	VOLVO	BSK.37.1
2	APSA.2870.B5W	CLAYTON	91038349	BEDFORD	CDSK.8.2
2	APSA.9006.5	CLAYTON	74DB2A208AA	FORD	CDSK.8.2
3	APSA.2878	CLAYTON	91028935	BEDFORD	CDSK.8.1
4	0.481.039.101	BOSCH	001.431.00.06	DAI	BOSK.9
5	0.481.039.209	BOSCH	002.431.46.06	DAI	BOSK.9.1
5	0.481.039.210	BOSCH	5000877145	RVI	BOSK.9.1
5	0.481.039.211	BOSCH	661689	DAF	BOSK.9.1
5	0.481.039.213	BOSCH	004.431.53.06	DAI	BOSK.9.1
5	0.481.039.214	BOSCH	5000877066	RVI	BOSK.9.1
5	0.481.039.216	BOSCH	5000445897	RVI	BOSK.9.1
5	0.481.039.221	BOSCH	79100360079	STEYR	BOSK.9.1
5	0.481.039.222	BOSCH	8285092000	SETRA	BOSK.9.1
6	312.013.014	GRAU	81.52101.6123	MAN	GSK.61.1
7	DR.3200	KNORR	5000464197	RVI	KSK.5
7	DR.3231	KNORR	81.52101.6146	MAN	KSK.5
7	DR.3224	KNORR	5000445216	RVI	KSK.5
8	DR.33.A	MARELLI	8790931	IVECO	-



ALL MAKES



9



10



11



12



13



14



15



16

	ORIGINAL N°	MAKER	OEM N°	OEM	REPAIR KIT N°
9	DR.3500	KNORR	42085762	IVECO	KSK.5.2
9	DR.3502	KNORR	285768	DAF	KSK.5.2
9	DR.3515	KNORR	4784410	IVECO	KSK.5.2
9	DR.3524	KNORR	4775737	IVECO	KSK.5.2
10	AC.135.AYZ	MARELLI	4842611	IVECO	MSK.61.1
10	AC.135.HYZ	MARELLI	99433864	IVECO	MSK.61.1
11	133.527.FA	WABCO	0024551207	RVI	WSK.61.3A
12	475.304.201	WABCO	540349	DAF	WSK.37 or 37.1
12	475.304.251	WABCO	99.00036.2030	MAN	WSK.37 or 37.1
13	975.300.110	WABCO	5000243947	RVI	WSK.61
13	975.300.111	WABCO	001.431.22.06	DAI	WSK.61
14	975.303.040	WABCO	002.431.59.06	DAI	WSK.61.1
14	975.303.060	WABCO	658098	DAF	WSK.61.1
14	975.303.080	WABCO	5010067854	RVI	WSK.61.1
14	975.303.081	WABCO	4842611	IVECO	WSK.61.1
14	975.303.120	WABCO	4775736	IVECO	WSK.61.1
15	975.303.447	WABCO	002.431.60.06	DAI	WSK.61.1
15	975.303.473	WABCO	4804765	IVECO	WSK.61.1
15	975.303.474	WABCO	84.52101.6017	MAN	WSK.61.1
15	975.303.504	WABCO	002.431.53.06	DAI	WSK.61.1
16	975.303.464	WABCO	002.431.49.06	DAI	WSK.61.1

REPAIR KIT ALPHA NUMERICAL INDEX

TT PART N°	ORIGINAL KIT N°	MAKER	DESCRIPTION	APPLICATION
BOSK.9	1.487.010.163	BOSCH	R/KIT 'SQUARE' UNLOADER	0.481.039.1.. + 0.481.042...
BOSK.9.1	1.487.010.165	BOSCH	R/KIT 0.481.039.201	0.481.039.201-234
BSK.37	SK.2612.1	BENDIX	R/KIT D2 GOVERNOR	272126
BSK.37.1	SK.2612.2	BENDIX	R/KIT D2 GOVERNOR	D2 (LOW RANGE) GOVERNOR
CDSK.8.1	GA.29209	CLAYTON	R/KIT (APSA.2878...)	APSA.2878 UNLOADERS
CDSK.8.2	GA.28716	CLAYTON	R/KIT (APSA.2870...)	APSA.2870 GOVERNORS
GSK.61.1	950.312.006	GRAU	R/KIT UNLOADER	312.013 / 015 / 017 / 021
KSK.5	1.61090	KNORR	R/KIT DR.32...UNLOADER	DR.3200 / 3208 / 3222 / 3237
KSK.5.2	1.87546	KNORR	R/KIT DR.3500 GOVERNOR	DR.3500
MSK.61	766691.02	MARELLI	R/KIT AC.132	AC.132
MSK.61.1	766451.01	MARELLI	R/KIT AC.135	AC.135
SWSK.61.1	975.303.000.2	WABCO	R/KIT 975.303 (WABCO CONTENT)	975.303...
WSK.37	475.304.004.2	WABCO	R/KIT 475.304...(W/OUT FILTER)	475.304...
WSK.37.1	-	WABCO	R/KIT 475.304...(WITH FILTER)	475.304...
WSK.61	975.300.000.2	WABCO	R/KIT 975.300...	975.303.003 / 110 / 111 / 550
WSK.61.1	975.303.000.2	WABCO	R/KIT 975.303...	975.303.040 / 473 / 474 / 5...
WSK.61.1A	975.303.001.2	WABCO	R/KIT 975.303 (DIAPHRAGM ASSY)	975.303.040 / 473 / 474 / 5...
WSK.61.3A	720.199.00	WABCO	R/KIT UNLOADER FA	133.527...
WSK.63.5	432.410.001.2	WABCO	R/KIT 432.410 UNL DIAPHRAGM	432.410 / 415 / 432
WSK.63.24	432.410.002.2	WABCO	REPLACES WSK.63.4	432.410.. / 415 / 420



BOSK.9



BOSK.9.1



BSK.37



BSK.37.1

REPAIR KIT ALPHA NUMERICAL INDEX



CDSK.8.1



CDSK.8.2



GSK.61.1



KSK.5



KSK.5.2



MSK.61



MSK.61.1



SWSK.61.1



WSK.37



WSK.37.1

REPAIR KIT



WSK.61



WSK.61.3A



WSK.61.1



WSK.63.5



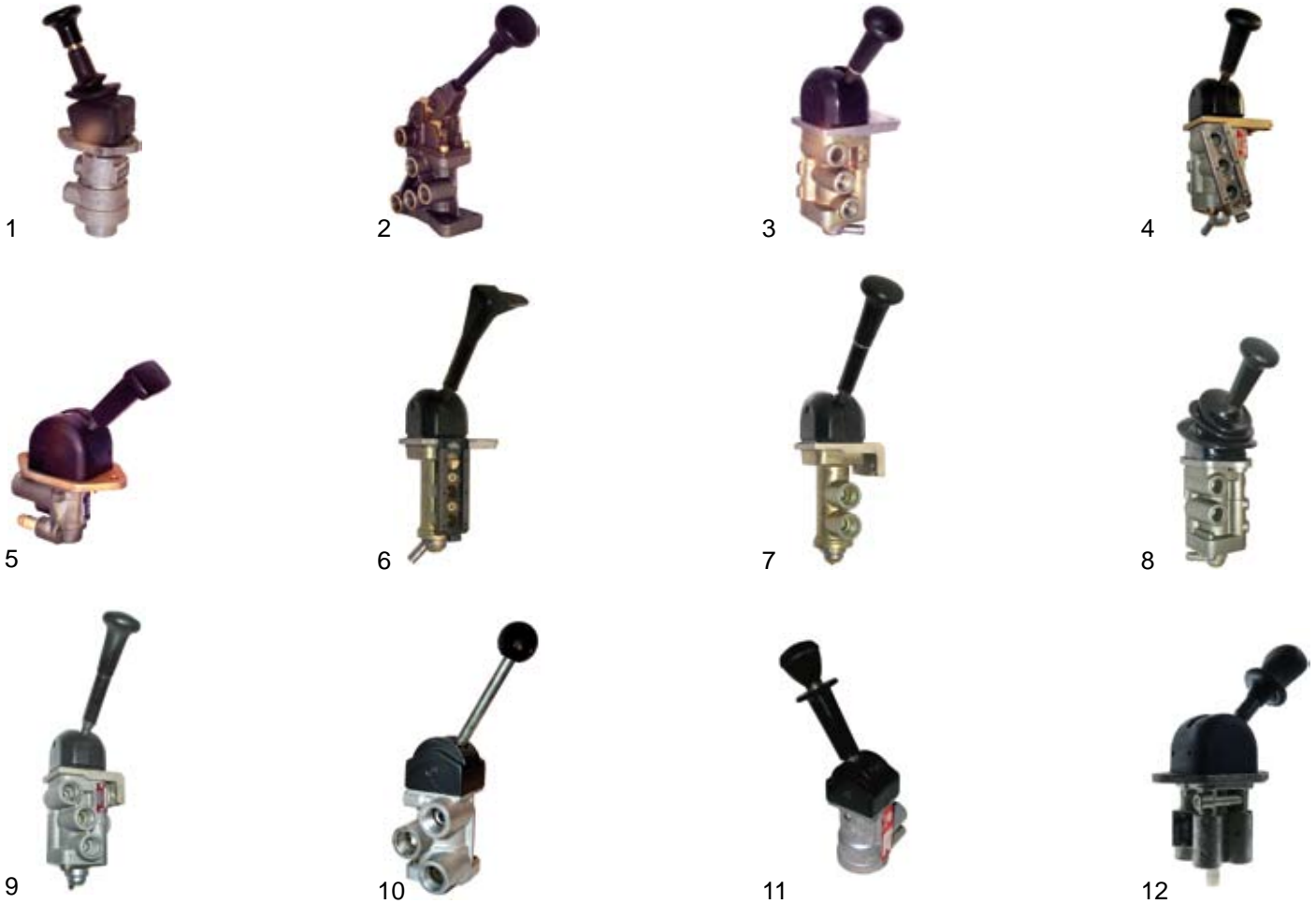
WSK.61.1A



WSK.63.24

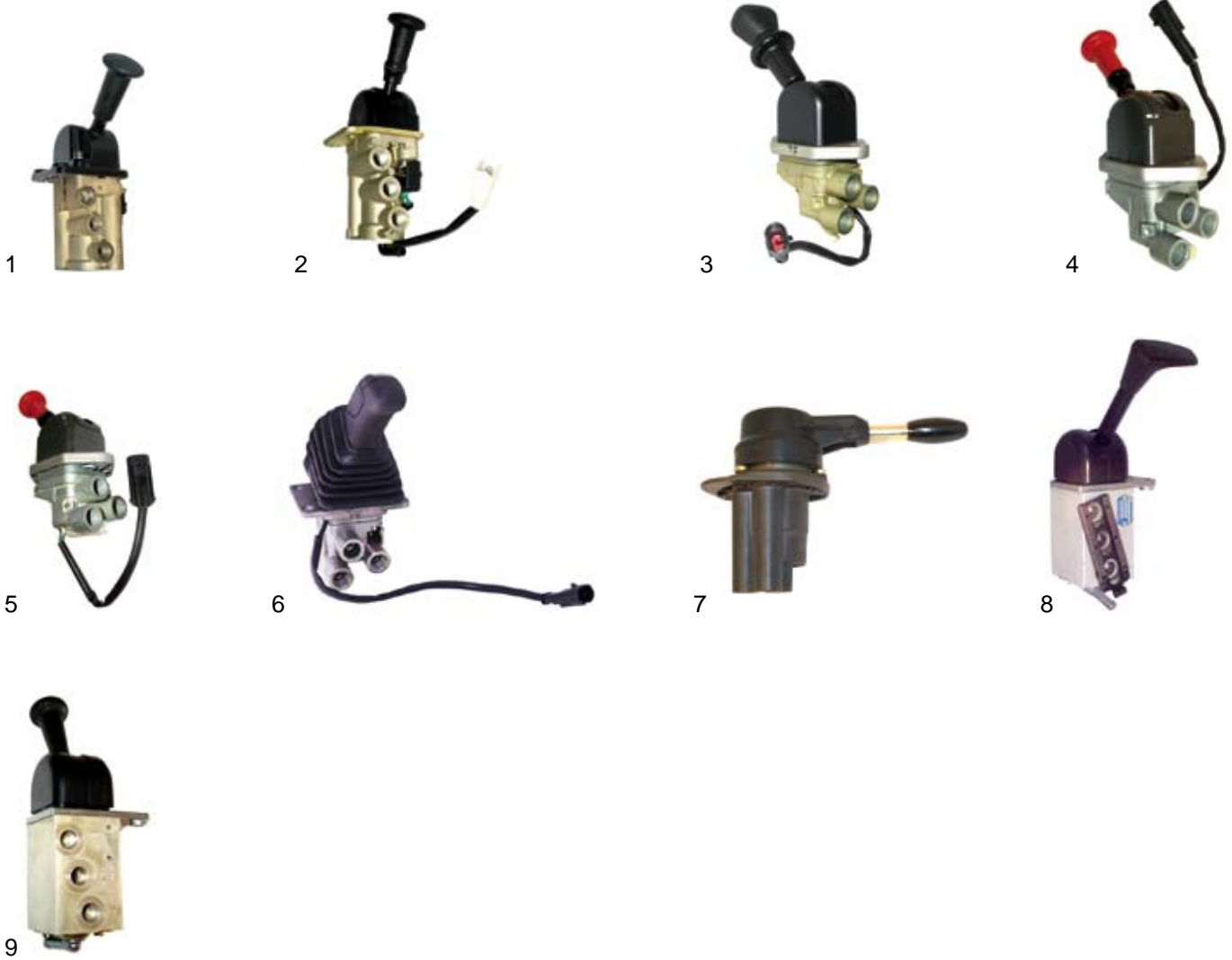


BOSCH - DAHL



	NUMBER	OEM N°	OEM	REPAIR KIT N°
1	0.481.016.019	5516015673	RVI	BOSK.5.7
2	0.481.016.024	81.523.159.056	MAN	KSK.2
3	0.481.016.201	8283872000	SETRA	BOSK.54.2
3	0.481.016.106	82850080000	SETRA	BOSK.54.2
4	0.481.016.303	001.430.70.81	DAI	BOSK.54.2
4	0.481.016.401	001.430.72.81	DAI	BOSK.54.2
5	0.481.016.702	002.430.79.81	DAI	BOSK.54.2
5	0.481.016.601	002.430.77.81	DAI	BOSK.54.2
6	0.481.016.108	001.430.66.81	DAI	BOSK.54.2
7	0.481.016.113	002.430.59.81	DAI	BOSK.54.2
8	0.481.016.302	001.431.20.16	DAI	BOSK.54.2
9	0.481.016.202	001.430.35.81	DAI	BOSK.54.2
9	0.481.016.308	002.430.42.81	DAI	BOSK.54.2
9	0.481.016.309	002.430.43.81	DAI	BOSK.54.2
10	104.3110.000	5000790674	RVI	PDSK.52
11	104.3130.000	61598870	IVECO	PDSK.52
12	0.481.016.603	002.430.86.81	DAI	BOSK.54.2

MARELLI - KNORR



NUMBER	OEM N°	OEM	REPAIR KIT N°	
1	DPM.50.A	4749972	IVECO	-
2	DPM.80.B	4.841.075	IVECO	-
3	DPM.90.A	1518237	DAF	MSK.55.1
3	DPM.92.A	-	DAF	-
3	DPM.22.A	003.430.74.81	DAI	-
4	DPM.94.A	8137737	IVECO	MSK.55
4	DPM.94.AA	98405733	IVECO	MSK.55
4	DPM.94.AAX	500303739	IVECO	MSK.55
5	DPM.95.A	98405732	IVECO	MSK.54
5	DPM.95.AA	41002766	IVECO	MSK.54
6	DPM.91.AX	1324428	SCA	MSK.55.1
7	DPM.43.A	4695730	IVECO	MSK.53
7	HB.1133	81.523.156.137	MAN	KSK.54.1
8	HB.1172	003.430.04.81	DAI	KSK.54.1
8	HB.1175	001.430.66.81	DAI	KSK.54.1
8	HB.1170	001.430.67.81	DAI	KSK.54.1
9	HB.1204	001.430.83.81	DAI	KSK.54.3
9	HB.1189	81.523.156.090	MAN	KSK.54.1



MARELLI - KNORR



10



11



12



13



14



15



16



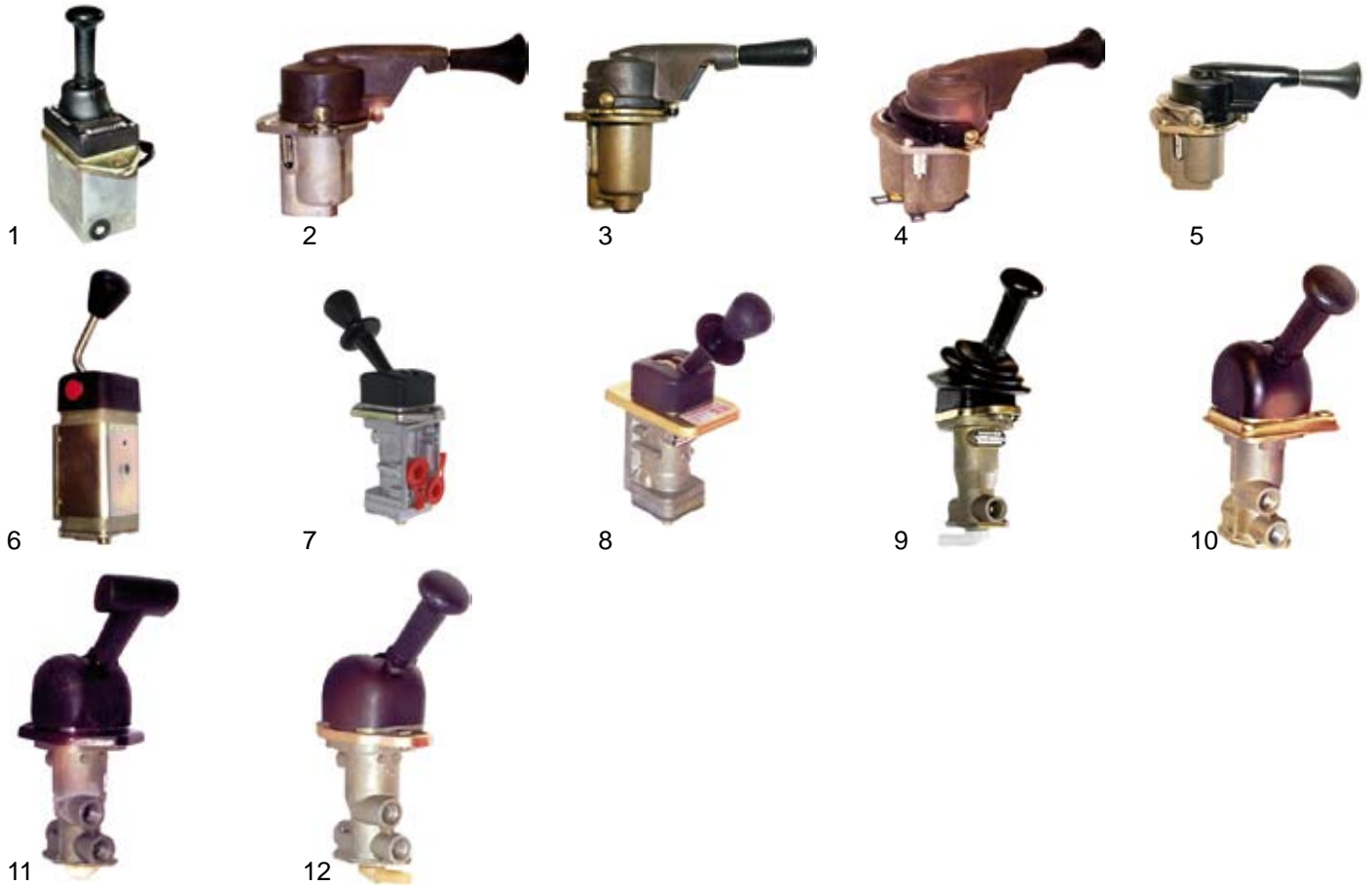
17



18

	NUMBER	OEM N°	OEM	REPAIR KIT N°
10	HB.1240	5000790467	RVI	KSK.54.3
11	HB.1241	6775595	VOLVO	KSK.54.3
11	HB.1142	6876972	VOLVO	KSK.54.1
11	HB.1143	9515443	VOLVO	KSK.54.1
11	HB.1176	81.523.156.077	MAN	KSK.54.1
11	HB.1350	81.523.156.074	MAN	-
12	HB.1154	81.523.156.057	MAN	KSK.2
13	HB.1179	42041179	IVECO	KSK.54.1
14	DPM.24.A	003.430.75.81	DAI	-
15	DPM.28.A	5010422400	RVI	-
15	DPM.29.A	5010422401	RVI	-
16	DPM.84.C	4841084	IVE	-
17	DPM.90.CK	81.52315.6171	MAN	MSK.55.1
17	DPM.90.D	1389075	DAF	MSK.55.1
17	DPM.90.EY	41211127	IVE	MSK.55.1
18	DPM.96.AAX	500303742	IVE	-
18	DPM.98.A	1324427	SCA	-
19	DPM.98.B	1408333	SCA	-

WABCO



	NUMBER	OEM	OEM N°	REPAIR KIT N°
1	723.539.ICV	5000439707	RVI	WSK.52
2	961.701.100	5000004989	RVI	WSK.52
3	961.701.105	000.430.55.81	DAI	WSK.52
4	961.702.001	509055	VOLVO	WSK.53
4	961.702.004	360744	DAF	WSK.53
5	961.703.001	641865	PEGASO	WSK.52.C
6	961.721.000	81.523.156.054	MAN	WSK.54.A
7	961.721.004	15528	DAF	WSK.54.A
7	961.721.044	5021170417	RVI	WSK.54.A
7	961.721.017	5000439781	RVI	WSK.54.A
8	961.721.011	5800213943	RVI	WSK.54.A
8	961.721.020	621381	DAF	WSK.54.A
9	961.722.150	637208800	VHOO	WSK.54.1
9	961.722.161	-	-	WSK.54.1
9	961.722.157	4841083	IVECO	WSK.54.1
10	961.722.158	112233800	NEOPLAN	WSK.54.1
10	961.722.151	14300081	DAI	WSK.54.1
10	961.722.156	42050205	IVECO	WSK.54.1
11	961.722.160	664867	DAF	WSK.54.1
11	961.722.167	5000789903	RVI	WSK.54.1
12	961.722.170	350.430.70.09	DAI	WSK.54.1



WABCO



	NUMBER	OEM	OEM N°	REPAIR KIT N°
13	961.722.180	522978	SCANIA	WSK.54.1
13	961.722.179	8124016	VOLVO	WSK.54.1
14	961.722.210	001.430.56.81	DAI	WSK.54.1
14	961.722.212	001.430.95.81	DAI	WSK.54.3
15	961.722.214	1108720	SCANIA	WSK.54.3
15	961.722.250	001.430.65.81	DAI	WSK.54.1
15	961.722.251	794779	PEGASO	WSK.54.3
15	961.722.252	374642	DAF	WSK.54.3
15	961.722.253	-	-	WSK.54.3
15	961.722.254	61606052	IVECO	WSK.54.3
15	961.722.258	42021814	IVECO	WSK.54.3
15	961.722.262	81.523.156.090	MAN	WSK.54.3
15	961.722.264	001.430.32.81	DAI	WSK.54.3
15	961.722.266	61606052	IVECO	WSK.54.3
16	961.722.265	001.430.52.81	DAI	WSK.54.3
17	961.722.267	4749972	IVECO	WSK.54.3
18	961.722.269	5000787418	RVI	WSK.54.3
19	961.722.275	002.430.24.81	DAI	WSK.54.3
20	961.722.284	364.430.72.81	DAI	WSK.54.3
20	961.722.302	931277	PEGASO	WSK.54.3
21	961.722.306	1588103	VOLVO	WSK.54.3
22	961.722.312	347068	SCANIA	WSK.54.3
22	961.722.313	1607773	VOLVO	WSK.54.3
22	961.722.314	571125	SCANIA	WSK.54.3
23	961.722.324	1622356	VOLVO	WSK.54.3

WABCO



	NUMBER	OEM	OEM N°	REPAIR KIT N°
24	961.723.001	933288	PEGASO	WSK.55.1
24	961.723.003	5000452903	RVI	WSK.55
25	961.723.004	6792610	VOLVO	WSK.55.1
26	961.723.007	8137037	IVECO	WSK.55
27	961.723.107	002.430.90.81	DAI	WSK.55
27	961.723.117	41002766	IVECO	WSK.55
28	961.723.212	1628144	VOLVO	WSK.55
28	961.723.016	5010145721	RVI	WSK.55.1
28	961.723.021	448453	SCANIA	WSK.55
28	961.723.100	81.523.156.116	MAN	WSK.55
29	961.723.005	24307481	DAI	WSK.55
29	961.723.104	002.430.79.81	DAI	WSK.55
30	961.723.111	99.100.360.497	STEYR	WSK.55
31	961.723.019	81.523.156.158	MAN	WSK.55
31	961.723.125	003.430.73.81	DAI	WSK.55
31	961.723.127	1309813	DAF	WSK.55
31	961.723.118	81.523.156.161	MAN	WSK.55
32	961.723.108	559819	DAF	WSK.55
32	961.723.012	-	-	WSK.55.1
32	961.723.022	1276198	DAF	WSK.55
32	961.723.102	99100-360455	STEYR	WSK.55
32	961.723.200	371273	DAF	WSK.55
32	961.723.203	933287	PEGASO	WSK.55
33	961.723.017	86701	DAF	WSK.55.1
33	961.723.201	002.430.96.81	DAI	WSK.55
34	961.723.208	5010145720	RVI	WSK.55
35	961.723.215	1078958	VOLVO	WSK.55
35	961.723.403	5000452904	RVI	WSK.55

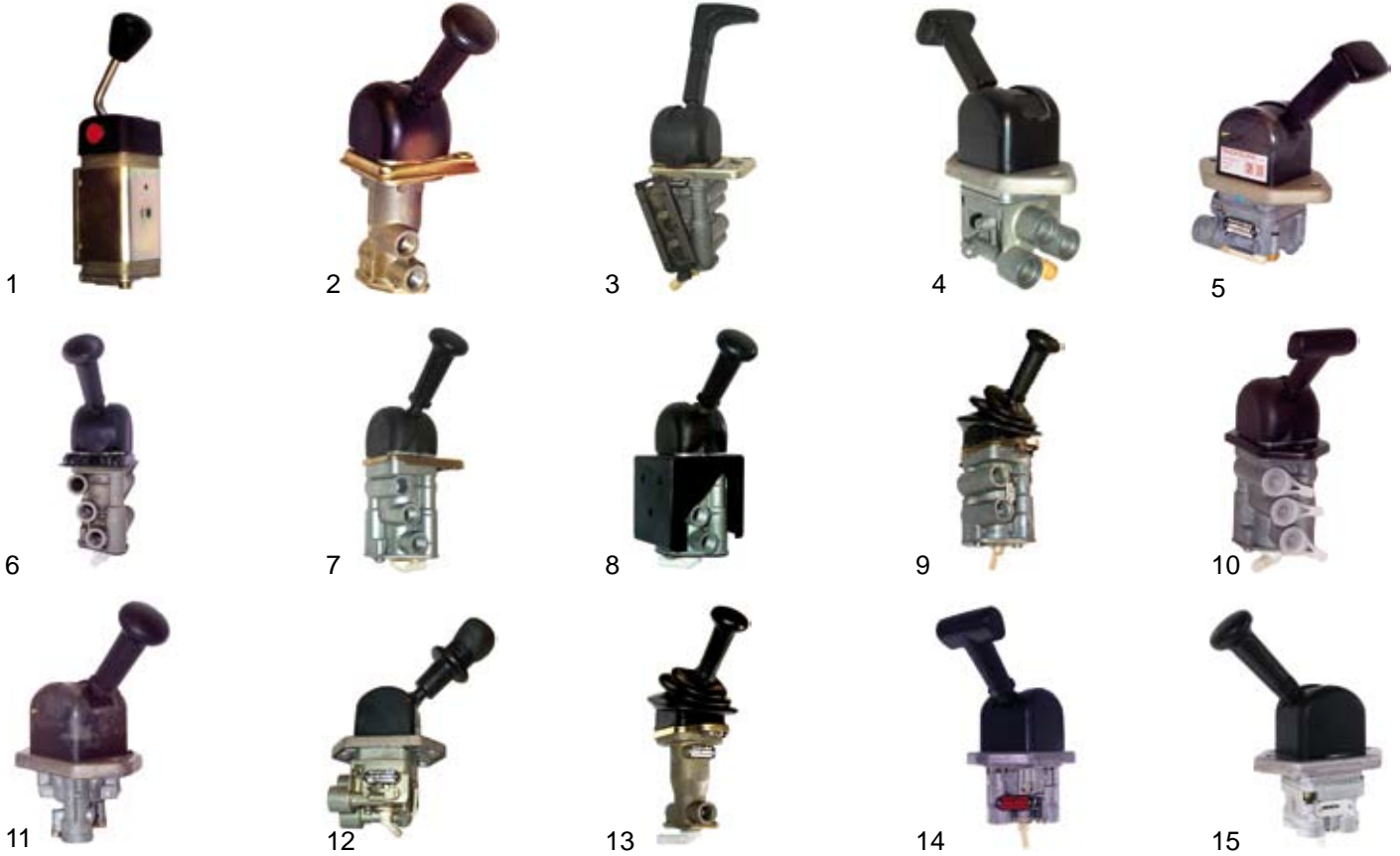


DAF CROSS REFERENCES



	ORIG.REF	TT REF	OE REF	VEHICLE
1	961.721.127	05.09.015	655709	DAF
2	961.722.150	05.10.002	621381	DAF
3	961.722.160	05.10.009	664867	DAF
4	961.722.252	05.10.024	374642	DAF
5	961.722.306	05.10.052	656252	DAF
6	961.723.126	05.11.029	1309809	DAF
6	961.723.127	05.11.024	1309813	DAF
7	961.723.017	05.11.042	86701	DAF
7	961.723.200	05.11.012	371273	DAF
8	DPM.92.D	05.12.019	1389076	DAF
9	961.723.001	05.11.001	371274	DAF
9	961.723.300	05.11.039	290666	DAF
9	961.723.304	05.11.040	1241246	DAF
10	961.723.405	05.11.056	281780	DAF
-	961.723.401	05.11.055	364261	DAF

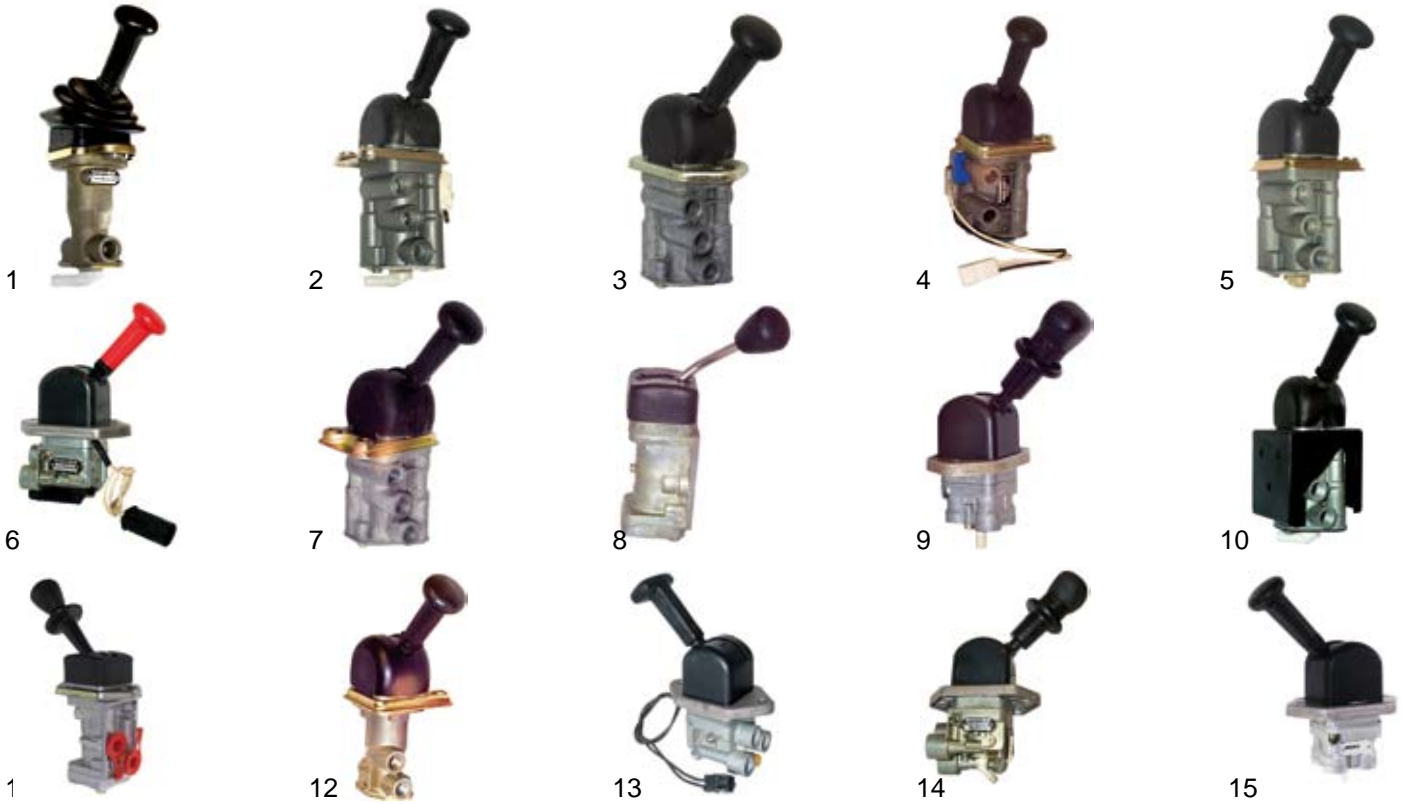
DAIMLER BENZ - ERF CROSS REFERENCES



	ORIG.REF	TT REF	OE REF	VEHICLE
1	961.721.000	05.09.001	000.430.7881	DBENZ
1	961.721.041	05.09.012	003.430.1781	DBENZ
2	961.722.151	05.10.003	001.430.0081	DBENZ
3	961.722.210	05.10.017	000.430.9181	DBENZ
3	961.722.212	05.10.018	000.430.9581	DBENZ
3	961.722.230	05.10.019	001.430.6781	DBENZ
3	961.722.232	05.10.020	001.430.6181	DBENZ
3	961.722.275	05.10.041	002.430.2481	DBENZ
4	961.723.104	05.11.010	002.430.7981	DBENZ
5	961.723.201	05.11.013	002.430.9681	DBENZ
6	961.722.264	05.10.031	001.430.3281	DBENZ
7	961.722.250	05.10.022	001.430.1881	DBENZ
7	961.722.251	05.10.023	001.430.0181	DBENZ
7	961.722.252	05.10.024	001.430.0281	DBENZ
8	961.722.265	05.10.032	001.430.5281	DBENZ
9	961.722.260	05.10.029	001.431.2016	DBENZ
10	961.722.307	05.10.069	002.430.2281	DBENZ
11	961.723.009	05.11.006	002.430.8981	DBENZ
12	961.723.125	05.11.022	003.430.7381	DBENZ
13	961.722.150	05.10.002	000.431.1916	DBENZ
14	961.723.010	05.11.036	108667-2	ERF
14	961.723.011	05.11.037	109376.2	ERF
15	961.723.203	05.11.014	108668-9	ERF

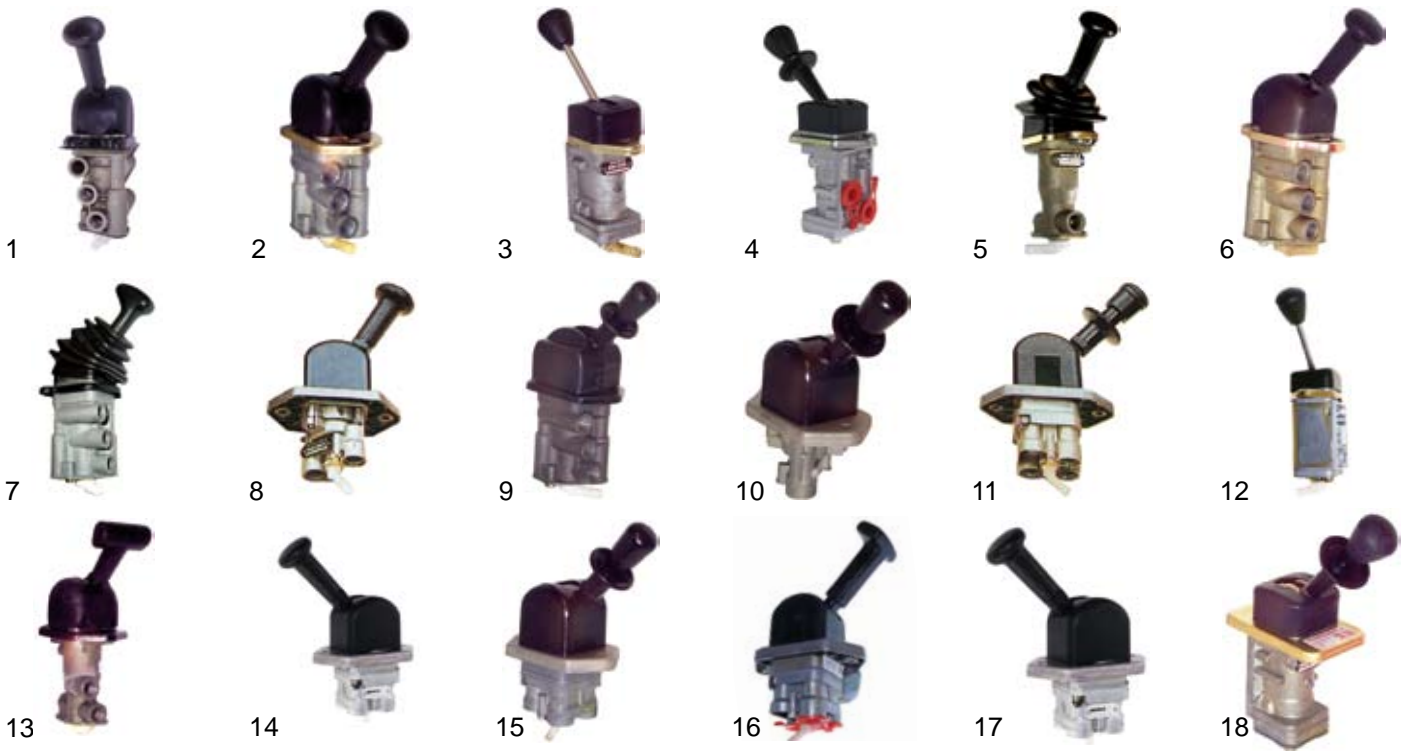


IVECO / MAN / NEOPLAN CROSS REFERENCES



	ORIG.REF	TT REF	OE REF	VEHICLE
1	961.722.150	05.10.002	484.1082	IVECO
2	961.722.241	05.10.021	4208.5758	IVECO
2	961.722.266	05.10.033	4205.1364	IVECO
2	961.722.254	05.10.026	81.52315.6087	MAN
2	961.722.262	05.10.030	81.52315.6086	MAN
3	961.722.258	05.10.028	484.1086	IVECO
4	961.722.267	05.10.034	475.6764	IVECO
4	961.722.267	05.10.034	475.6764	IVECO
5	961.722.286	05.10.047	4202.012	IVECO
5	961.722.286	05.10.047	4202.012	IVECO
6	961.723.007	05.11.005	813.7037	IVECO
6	961.723.007	05.11.005	813.7037	IVECO
7	961.722.254	05.10.026	484.1073	IVECO
8	961.721.007	05.09.004	81.52315.6068	MAN
9	961.723.100	05.11.008	81.52315.6118	MAN
9	961.723.101	05.11.058	81.52315.6119	MAN
10	961.722.265	05.10.032	11026635440	NEOPLAN
11	961.721.002	05.09.002	8601.5528	IVECO
12	961.722.156	05.10.006	4104.1178	IVECO
12	961.722.152	05.10.004	484.1081	IVECO
12	961.722.157	05.10.007	476.1043	IVECO
12	961.722.158	05.10.008	81.52315.6087	MAN
13	961.723.117	05.11.032	4100.2766	IVECO
14	961.723.019	05.11.044	81.52315.5160	MAN
14	961.723.118	05.11.045	81.52315.6161	MAN
15	961.723.203	05.11.014	108668-9	ERF

RVI / SCANIA / VAN HOOL / VOLVO ... CROSS REFERENCES



	ORIG.REF	TT REF	OE REF	VEHICLE
1	961.722.264	05.10.031	5000.504.490	RVI
2	961.722.269	05.10.036	5000.716.328	RVI
2	961.722.214	05.10.063	1108720	SCANIA
2	961.722.257	05.10.027	637205860	VAN HOOL
3	961.721.127	05.09.015	5000.121.753	RVI
4	961.721.004	05.09.003	5000.544.905	RVI
4	961.721.004	05.09.003	4822434	VOLVO
5	961.722.150	05.10.002	436190	SCANIA
6	961.722.302	05.10.050	1588103	VOLVO
6	961.722.284	05.10.046	-	SCANIA
7	961.722.312	05.10.054	347068	SCANIA
7	961.722.314	05.10.056	390286	SCANIA
7	961.722.313	05.10.055	1607773	VOLVO
8	961.723.021	05.11.007	469271	SCANIA
9	961.722.305	05.10.051	1598586	VOLVO
9	961.722.324	05.10.057	1622356	VOLVO
10	961.723.004	05.11.003	6702610	VOLVO
11	961.723.016	05.11.021	5010.145.721	RVI
11	961.723.212	05.11.023	1628144	VOLVO
12	DPM.60.AA	05.12.026	5010422.399	RVI
13	961.722.167	05.10.012	5000.789.903	RVI
14	961.723.102	05.11.009	501.0056.094	RVI
15	961.723.208	05.11.015	5010.145.720	RVI
16	961.723.403	05.11.035	5000.452.904	RVI
16	961.723.215	05.11.031	1078958	VOLVO
14	961.723.203	05.11.014	933287	SEDDON ATKINSON
18	961.721.002	05.09.002	6876972	VOLVO



REPAIR KIT ALPHA NUMERICAL INDEX

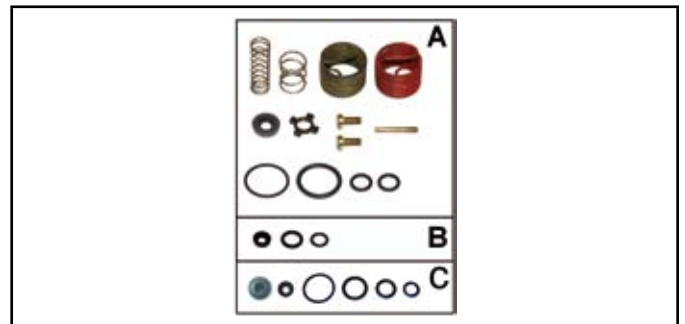
TT PART N°	ORIGINAL KIT N°	MAKER	DESCRIPTION	APPLICATION
BOSK.5.7	1.487.010.054	BOSCH	R/KIT 0.481.016.019	0.481.016.019
BOSK.54.1	1.487.010.272	BOSCH	R/KIT (CENTRE) 0.481.016.1/2	0.481.016.1../2../3...
BOSK.54.2	-	BOSCH	R/KIT (COMPLETE) 0.481.016.303	0.481.016.303
BSK.55	262130	CLAYTON	R/KIT TC.2	TC.2 HAND CONTROL
CDSK.54	GA.29144	CLAYTON	R/KIT HCV FORD	APGA.6635
KSK.2	1.72290	KNORR	R/KIT HB.1154/1158	0.481.016.024 + HB.1154 / 1158
KSK.54.1	1.72371	KNORR	R/KIT HB.11../12.. COMPLETE	HB.11../ 12..
KSK.54.3	1.92181.008	KNORR	R/KIT HB.12...	HB.1202 / 1223 / 1227
MSK.53	766665.01	MARELLI	R/KIT DPM.43	DPM.43
MSK.55.3	-	MARELLI	CONNECTOR FOR DPM.94/95/96	DPM.94/95/96
MSK.54	-	MARELLI	R/KIT DPM.95	DPM.95
MSK.55	-	MARELLI	R/KIT DPM.94	DPM.94
MSK.55.1	-	MARELLI	R/KIT DPM.94/95 AAX	DPM.94/95 AAX
MSK.55.2	-	MARELLI	R/KIT DPM.98.A	DPM.98.A
PDSK.52	-	KNORR	R/KIT H.C.V. 104.31...	104.3110.000 / 104.3130.000
WSK.52	961.701.000.2	WABCO	R/KIT 961.701/702/703	961.701/702/703
WSK.52.C	-	WABCO	R/KIT 961.702 + 703	961.702/703
WSK.53	961.703.000.2	WABCO	R/KIT 961.702/703	460.011.6
WSK.54.1	961.722.002.2	WABCO	R/KIT 961.722.002.2	961.722.150/151/152
WSK.54.1A	-	WABCO	R/KIT CAM FOLLOWER	961.722...
WSK.54.1C	-	WABCO	R/KIT BOOT + PINS	961.722...
WSK.54.3	961.722.004.2	WABCO	R/KIT 961.722.004.2	961.722.211/213/231
WSK.54.A	961.721.004.2	WABCO	R/KIT 961.721..	961.721 NEW MODEL
WSK.54.B	-	WABCO	BUTTON PARTS & BODY UPPER	961.721.000
WSK.54.D	-	WABCO	-	-
WSK.54.E	-	WABCO	-	-
WSK.54.I	720.218.00.08	WABCO	R/KIT H.C.V. 723.539.ICV	723.539
WSK.55	961.723.000.2	WABCO	R/KIT 961.723...	961.723.0../1../2../3../4..
WSK.55.1	961.723.001.2	WABCO	R/KIT 961.723...	961.723.001 TO 004
WSK.55.3	-	WABCO	CONNECTOR FOR 961.723.007/107	961.723.007/107



REPAIR KIT



BOSK.54.2



KSK.54.3



BSK.55



MSK.53



CDSK.54



MSK.55.3



KSK.2



MSK.54



KSK.54.1



MSK.55



REPAIR KIT



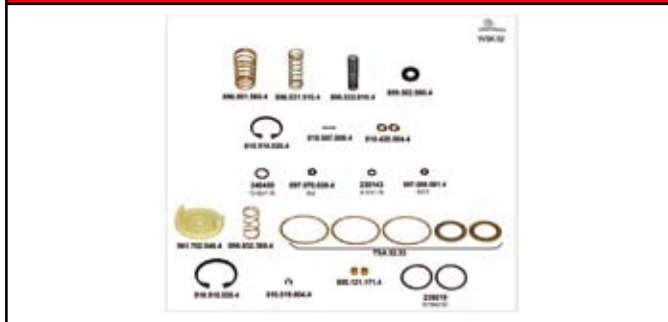
MSK.55.1



MSK.55.2



PDSK.52



WSK.52



WSK.52.C



WSK.53



WSK.54.1



WSK.54.1A



WSK.54.3



WSK.54.A

REPAIR KIT



WSK.54.B



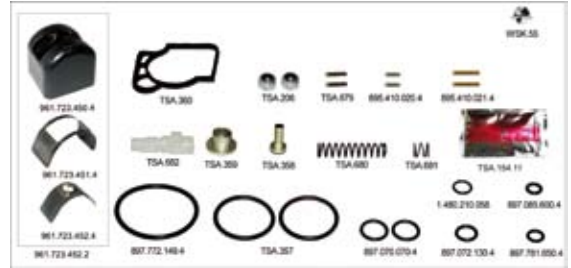
WSK.54.1B



WSK.54.1C



WSK.54.I



WSK.55



WSK.55.1



WSK.55.3





BENDIX / MARELLI / BOSCH / GRAU



1



2



3



4



5



6



7



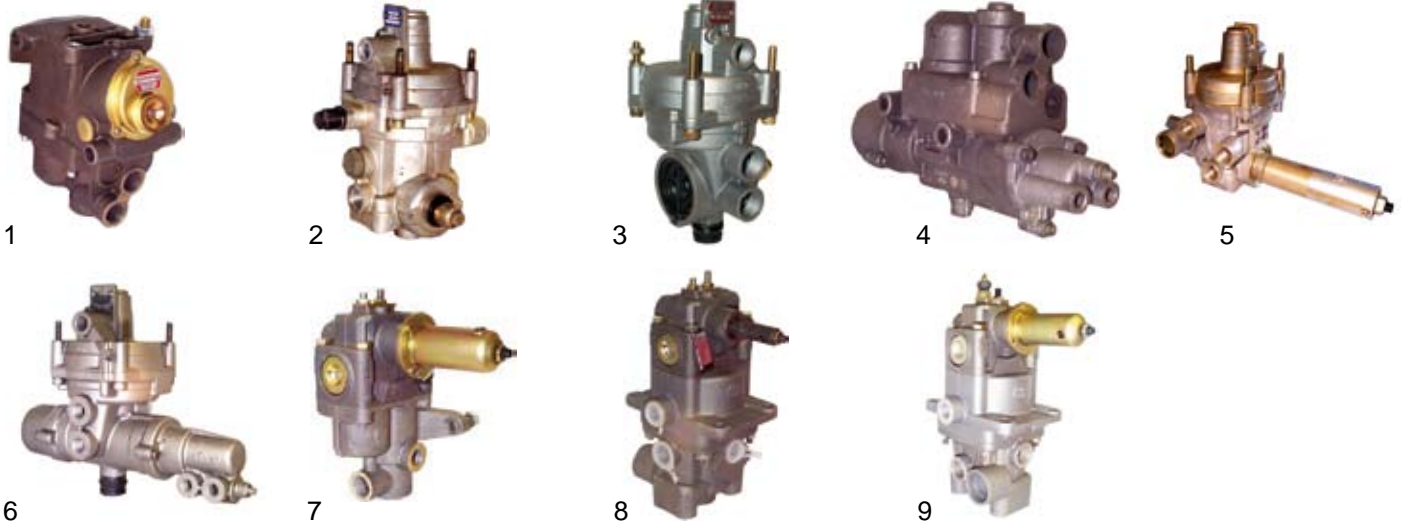
8



9

	NUMBER	OEM N°	OEM	REPAIR KIT N°
1	KY.1932.1	302658	SCANIA	BSK.58
1	KY.1952.1	6097322	IVECO	BSK.58
1	KY.1956.5	6111561	IVECO	BSK.58
1	KY.1994.2	6192029	IVECO	BSK.58
2	KY.952.4	170985	DAF	BSK.58
2	KY.982.6	362521	VOLVO	BSK.58
3	MP.51.AX	4771456	IVECO	MSK.5.2
3	MP.51.AY	4824348	IVECO	MSK.5.2
4	0.481.036.102	001.431.35.12	DAI	BOSK.11.2
4	0.481.036.105	81.52161.6246	MAN	BOSK.11.2
4	0.481.036.117	001.431.87.12	DAI	BOSK.11.2
5	0.481.036.206	1614265	VOLVO	BOSK.11.2
6	0.481.099.011	000.431.75.12	DAI	-
7	351.014.001	-	-	GSK.3
8	601.002.001	42041908	IVECO	GSK.3.1
8	601.002.021	1325326	DAF	GSK.3.1
8	601.013.011	1325326	DAF	GSK.3.1
9	602.005.001	08122061	IVECO	GSK.3.1

KNORR - DAHL



	NUMBER	OEM N°	OEM	REPAIR KIT N°
1	BR.4255	81.52161.6237	MAN	KSK.7
1	BR.4265	81.52161.6238	MAN	KSK.7
2	BR.4352	73353900	FRU	KSK.44
3	BR.4410	002.431.04.12	DAI	KSK.42
3	BR.4411	002.431.05.12	DAI	KSK.42
3	BR.4413	5010056229	RVI	KSK.42
3	BR.4414	42126155	IVECO	KSK.42
3	BR.4415	42125561	IVECO	KSK.42
3	BR.4421	001.431.83.12	DAI	KSK.42
3	BR.4423	81.52161.6280	MAN	KSK.42
3	BR.4431	5000452555	RVI	KSK.42
3	BR.4442	81.52161.6335	MAN	KSK.42
3	BR.4444	81.52161.6338	MAN	KSK.42
3	BR.4452	1260043	DAF	KSK.42
3	BR.4456	81.52161.6382	MAN	KSK.42
3	BR.4466	1337192	DAF	KSK.42
3	BR.4467	1337185	DAF	KSK.42
4	BR.5325	AFA4271004	FRU	KSK.7.1
5	BR.5504	CF352901	FRU	-
5	BR.5522	655611	DENNIS	-
5	BR.5524	CF3519297	FRU	-
6	BR.5607	81.52161.6325	MAN	KSK.42
6	BR.5628	5010260208	RVI	KSK.42
7	111.1950.000	1232317	DAF	PDSK.4
7	111.1961.000	5010867859	RVI	PDSK.3C
7	111.1962.000	5010867860	RVI	PDSK.3C
8	111.1980.000	CF350909	FRU	PDSK.3C
9	111.1995.000	-	-	PDSK.3C
9	111.2001.000	-	-	PDSK.3C



WABCO 475.710 ... SERIES



Wabco 475.710 ... series

Wabco
475.710 ... series

NUMBER	OEM N°	OEM	R. KIT
475.710.000.0	001.431.32.12	DAI	WSK.42 or .74
475.710.003.0	81.52161.6246	MAN	WSK.42 or .74
475.710.006.0	1607836	VOL	WSK.42 or .74
475.710.011.0	1628951	VOL	WSK.42 or .74
475.710.012.0	81.52161.6349	MAN	WSK.42 or .74
475.710.013.0	81.52161.6344	MAN	WSK.42 or .74
475.710.016.0	81.52161.6373	MAN	WSK.42 or .74
475.710.020.0	001.431.33.12	DAI	WSK.42 or .74
475.710.021.0	42106090	IVE	WSK.42 or .74
475.710.022.0	643260	DAF	WSK.42 or .74
475.710.023.0	5000873222	RVI	WSK.42 or .74
475.710.024.0	4758659	IVE	WSK.42 or .74
475.710.025.0	42089958	IVE	WSK.42 or .74
475.710.027.0	06601485	EB	WSK.42 or .74
475.710.028.0	666657	DAF	WSK.42 or .74
475.710.029.0	975644	DAF	WSK.42 or .74
475.710.031.0	1607838	VOL	WSK.42 or .74
475.710.032.0	1607837	VOL	WSK.42 or .74
475.710.033.0	371994	DAF	WSK.42 or .74
475.710.035.0	1518123	DAF	WSK.42 or .74
475.710.036.0	004.431.83.12	DAI	WSK.42 or .74
475.710.040.0	150877	GOL	WSK.42 or .74
475.710.121.0	1625753	VOL	WSK.42 or .74
475.710.122.0	1625752	VOL	WSK.42 or .74
475.710.124.0	81.52161.6309	MAN	WSK.42 or .74
475.710.128.0	1628953	VOL	WSK.42 or .74
475.710.129.0	1628952	VOL	WSK.42 or .74
475.710.134.0	81.521.616.384	MAN	WSK.42 or .74

NUMBER	OEM N°	OEM	R. KIT N°
475.710.136.0	003.431.27.12	DAI	WSK.42 or .74

WABCO 711 ... SERIES



Wabco
475.711 ... series

NUMBER	OEM N°	OEM	R. KIT
475.711.000.0	665112	DAF	WSK.43 or .75
475.711.001.0	001.431.43.12	DAI	WSK.43 or .75
475.711.002.0	001.431.44.12	DAI	WSK.43 or .75
475.711.006.0	269700	DAF	WSK.43 or .75
475.711.007.0	001.431.63.12	DAI	WSK.43 or .75
475.711.008.0	81.52161.6241	MAN	WSK.43 or .75
475.711.009.0	1606791	VOL	WSK.43 or .75
475.711.012.0	81.521.616.268	MAN	WSK.43 or .75
475.711.013.0	1608356	VOL	WSK.43 or .75
475.711.017.0	001.431.73.12	DAI	WSK.43 or .75
475.711.020.0	1197827	VOL	WSK.43 or .75
475.711.021.0	001.431.79.12	DAI	WSK.43 or .75
475.711.022.0	001.431.84.12	DAI	WSK.43 or .75
475.711.024.0	001.431.94.12	DAI	WSK.43 or .75
475.711.025.0	001.431.95.12	DAI	WSK.43 or .75
475.711.027.0	001.431.97.12	DAI	WSK.43 or .75
475.711.029.0	378234	DAF	WSK.43 or .75
475.711.031.0	001.431.89.12	DAI	WSK.43 or .75
475.711.032.0	81.52161.6286	MAN	WSK.43 or .75
475.711.033.0	3112968	VOL	WSK.43 or .75
475.711.034.0	42109350	IVE	WSK.43 or .75
475.711.036.0	5010136029	RVI	WSK.43 or .75
475.711.039.0	3031392	VOL	WSK.43 or .75
475.711.040.0	3031391	VOL	WSK.43 or .75
475.711.041.0	5000453140	RVI	WSK.43 or .75
475.711.042.0	5010097499	RVI	WSK.43 or .75
475.711.043.0	5010097329	RVI	WSK.43 or .75
475.711.044.0	5010097760	RVI	WSK.43 or .75
475.711.045.0	5010097759	RVI	WSK.43 or .75
475.711.046.0	5010097416	RVI	WSK.43 or .75
475.711.047.0	5010097886	RVI	WSK.43 or .75
475.711.051.0	5010136030	RVI	WSK.43 or .75

NUMBER	OEM N°	OEM	R. KIT
475.711.058.0	91748	DAF	WSK.43 or .75
475.711.060.0	42106742	IVE	WSK.43 or .75
475.711.061.0	5010136161	RVI	WSK.43 or .75
475.711.063.0	1518303	DAF	WSK.43 or .75
475.711.064.0	99.10036.0487	MAN	WSK.43 or .75
475.711.068.0	84266	DAF	WSK.43 or .75
475.711.069.0	1290287	DAF	WSK.43 or .75
475.711.071.0	84263	DAF	WSK.43 or .75
475.711.072.0	5010098951	RVI	WSK.43 or .75
475.711.074.0	1628954	VOL	WSK.43 or .75
475.711.075.0	1628955	VOL	WSK.43 or .75
475.711.076.0	002.431.54.12	DAI	WSK.43 or .75
475.711.087.0	108390	ERF	WSK.43 or .75
475.711.090.0	98449593	IVECO	WSK.43 or .75
475.711.094.0	98475929	IVECO	WSK.43 or .75
475.711.097.0	81.52161.6354	MAN	WSK.43 or .75
475.711.099.0	81.52161.6371	MAN	WSK.43 or .75
475.711.118.0	003.431.22.12	DAI	WSK.43 or .75
475.711.125.0	5010260546	RVI	WSK.43 or .75
475.711.126.0	1302096	DAF	WSK.43 or .75
475.711.127.0	1302087	DAF	WSK.43 or .75
475.711.128.0	1302088	DAF	WSK.43 or .75
475.711.134.0	5010260693	RVI	WSK.43 or .75
475.711.142.0	5010260729	RVI	WSK.43 or .75
475.711.143.0	5010260730	RVI	WSK.43 or .75



MISCELLANEOUS



1



2



3



4



5



6



7



8

	NUMBER	OEM N°	OEM	REPAIR KIT N°
1	163.898.79	5000787239	RVI	-
1	163.898.80	A3164901	FRU	-
1	163.898.82	24772027	RVI	-
1	163.898.84	5000440157	RVI	-
1	163.898.99	5000020808	RVI	-
2	468.400.006	-	-	WSK.42.2
3	475.701.001.0	350621	VOLVO	BSK.58
4	475.701.003.0	02458541	IVECO	BSK.58
4	475.701.005.0	02487615	IVECO	BSK.58
4	475.701.006.0	515277	DAF	BSK.58
4	475.701.007.0	000 431 37 12	DAI	BSK.58
4	475.701.020.0	362521	VOLVO	BSK.58
4	475.701.021.0	000.431.69.12	DAI	BSK.58
5	475.702.000.0	624160	DAF	BSK.58
5	475.702.002.0	000 431 05 12	DAI	BSK.58
5	475.702.020.0	81.52161.6219	MAN	BSK.58
5	475.702.022.0	0203321100	BPW	BSK.58
6	475.712.000.0	1325324	DAF	WSK.75 or .44
6	475.712.004.0	1518127	DAF	WSK.75 or .44
7	475.713.000.0	04838903	IVECO	WSK.68 or .76
7	475.713.500.0	1325326	DAF	WSK.68 or .76
7	475.713.501.0	8285260000	EVO	WSK.68 or .76
8	475.714.500.0	11017344	NEOPLAN	WSK.69 or .76
8	475.714.509.0	156864	GOLDHOFER	WSK.69 or .76

MISCELLANEOUS



9



10



11



12



13

	NUMBER	OEM N°	OEM	REPAIR KIT N°
9	475.715.000.0	MS10A	KNORR	WSK.75
9	475.715.002.0	-	-	WSK.75
9	475.715.500.0	1506232	DAF	WSK.75
9	475.715.507.0	M020566	FRUEHAUF	WSK.75
9	475.715.511.0	1518980	DAF	WSK.75
10	475.720.004.0	004.431.50.12	DAI	-
11	475.800.301.0	1339908	SCANIA	WSK.70
12	975.700.202.0	82.52161.6000	MAN	WSK.62
12	975.700.203.0	815553	DAF	WSK.62
13	475.700.122.0	5000787239	SCANIA	WSK.45
13	475.700.126.0	A3164901	SCANIA	WSK.45
13	475.700.220.0	24772027	DAF	WSK.45
13	475.700.320.0	84.52161.6020	MAN	WSK.45
13	475.700.401.0	5000440157	MAN	WSK.45
13	475.700.402.0	5000020808	DAF	WSK.45
13	475.700.403.0	8283895000	BPW	WSK.45
13	475.700.404.0	350621	FRU	WSK.45
13	475.700.430.0	8283895000	EVO	WSK.45



CROSS REFERENCES

LSV NUMBER	WABCO CROSS REFERENCE	OEM / OTHER	OEM NUMBER
BR4411	475 710 020 0	MB	002.431.05.12
		MB	001.431.35.15
		MB	001.431.33.12
BR 4412	475 710 003 0	MAN	81.52161.6248
		MAN	81.52161.6212
		MAN	81.52161.6246
		MAN	81.52161.6213
		MAN	81.52161.9246
BR4413	475.710.023.0	RVI	5010056229
		RVI	5000877139
		RVI	4700471
	475.710.023.0	RVI	47004700
BR4415	475.710.024.0	IVE	04746013
BR4420	475.710.008.0	MB	001.431.90.12
	475.710.036.0	MB	001.431.86.12
		MB	001.431.82.12
BR4421	475.710.036.0	MB	001.431.87.12
		MB	001.431.83.12
		MB	001.431.81.12
BR4422	475.710.051.0	MAN	81.52161.6277
		MAN	81.52161.6276
		MAN	81.52161.6274
BR4423	475.710.007.0	MAN	81.52161.6280
		MAN	81.52161.6279
		MAN	51.82161.6278
BR4429	475.710.003.0	-	-
BR4431	475.710.021.0	RVI	5000452555
BR4439	475.710.012.0	MAN	81.52161.6348
BR4440	-	DAF	1212655
BR4441	-	RVI	5001837070
	-	RVI	5010098984
BR4442	475.710.013.0	MAN	81.52161.6335
		MAN	81.52161.6334
		MAN	81.52161.6333
BR4444	475.710.014.0	MAN	81.52161.6338
		MAN	81.52161.6337
		MAN	81.52161.6336
BR4454	475.710.016.0	MAN	81.52161.6375
		MAN	81.52161.6374
		MAN	81.52161.6373
BR4457	475.710.134.0	MAN	81.52161.6383
BR4465	-	DAF	1337196
BR4466	-	DAF	1337192
BR4467	-	DAF	1337185
BR4468	-	DAF	1337193



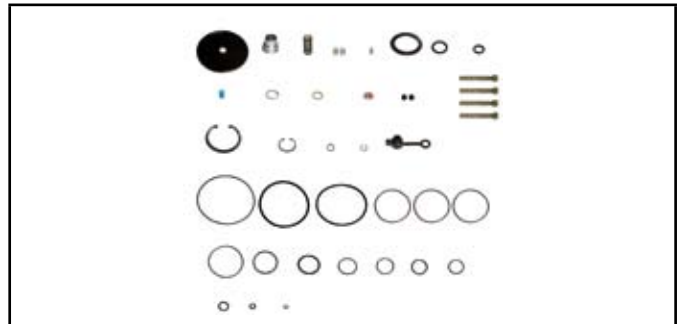
REPAIR KIT ALPHA NUMERICAL INDEX

TT PART N°	ORIGINAL KIT N°	MAKER	DESCRIPTION	APPLICATION
BOSK.11.2	-	BOSCH	R/KIT 0.481.036.1.. COMPLETE	0.481.036..
BSK.58	SK.2639.1	BENDIX	R/KIT (KY.1932.1) C/W INSHOT	KY.1932.1 / 2100.1 / 2184
GSK.3.1	950.601.003	GRAU	R/KIT L.S.V 601.002	601.002.001 / 011
GSK.38	-	GRAU	R/KIT L.S.V. 352.011...	352.011...
KSK.42	I.92903	KNORR	R/KIT LSV BR.44..	BR.44.. SERIES
KSK.44	SEB.22187	KNORR DAHL	R/KIT BR.4351/52	BR.4351 / 4352
KSK.7.1	I.77188	KNORR	R/KIT BR.5325	BR.5325
MSK.5.2	766646.04	MARELLI	R/KIT MP.51C/AX/AY	MP.51C/AX/AY
PDSK.3	114.2404.000	DAHL	R/KIT 111.1980.000	111.1980 / 1995 / 1996
PDSK.3C	-	DAHL	R/KIT LSV DAHL 111...	111.1962 / 1980 / 1995
WSK.42	475.710.001.2	WABCO	R/KIT 475.710...	475.710....
WSK.42.2	468.400.001.2	WABCO	R/KIT 468.400.....	468.400...
WSK.42.D	-	WABCO	R/KIT LEVER ACCESSORIES	475.710...
WSK.43	475.711.000.2	WABCO	R/KIT 475.711..	475.711...
WSK.43.D	-	WABCO	R/KIT LEVER ACCESSORIES	475.711...
WSK.44	475.712.000.2	WABCO	R/KIT 475.712...(BASIC)	475.712.000.0
WSK.44.D	-	WABCO	R/KIT LEVER ACCESSORIES	475.712...
WSK.45	475.700.003.2	WABCO	R/KIT 475.700...	475.700 SERIES
WSK.62	975.700.000.2	WABCO	R/KIT 975.700.....	975.700.202 / 203 / 205
WSK.64.1	475.701.712.2	WABCO	LEVER ARM ASSY - 8MM	475.701
WSK.68	475.713.000.2	WABCO	R/KIT 475.713...	475.713...
WSK.68.D	-	WABCO	R/KIT LEVER ACCESSORIES	475.713...
WSK.69	475.714.000.2	WABCO	R/KIT 475.714...	475.714.500.0
WSK.69.D	-	WABCO	R/KIT LEVER ACCESSORIES	475.714...
WSK.71	475.715.000.2	WABCO	R/KIT 475.715.....	475.715.5..
WSK.71.A	-	WABCO	TOP COVER 475.714	475.714...
WSK.71.D	-	WABCO	R/KIT LEVER ACCESSORIES	475.714...
WSK.73	-	WABCO	R/KIT 475.720/722...	475.720../ 722...
WSK.74	-	WABCO	R/KIT 475.710./711...	475.710.../711...
WSK.75	-	WABCO	R/KIT 475.712/715...	475.712.../ 715...
WSK.76	-	WABCO	R/KIT 475.713/714...	475.713/714...

REPAIR KIT



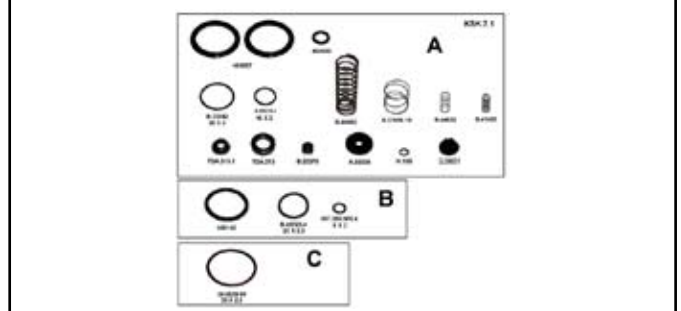
BOSK.11.2



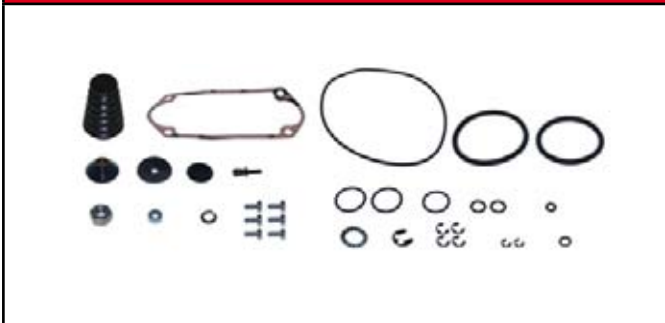
KSK.44



BSK.58



KSK.7.1



GSK.3.1



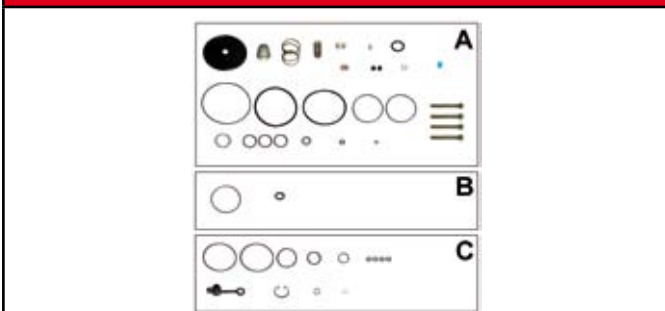
MSK.5.2



GSK.38



PDSK.3



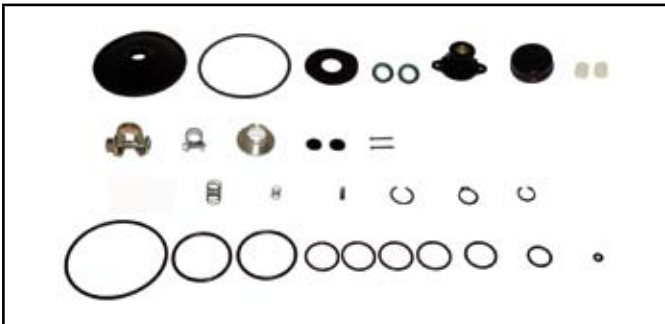
KSK.42



PDSK.3C



REPAIR KIT



WSK.42



WSK.42.2



WSK.42.D



WSK.43



WSK.43.D



WSK.44



WSK.44.D



WSK.45



WSK.62



WSK.64.1

REPAIR KIT



WSK.68



WSK.69.D



WSK.68.D



WSK.71



WSK.69



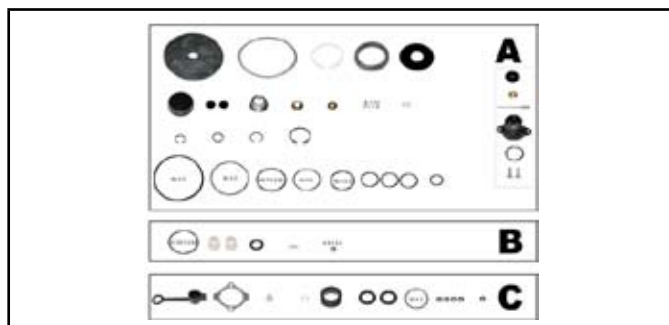
WSK.71.A



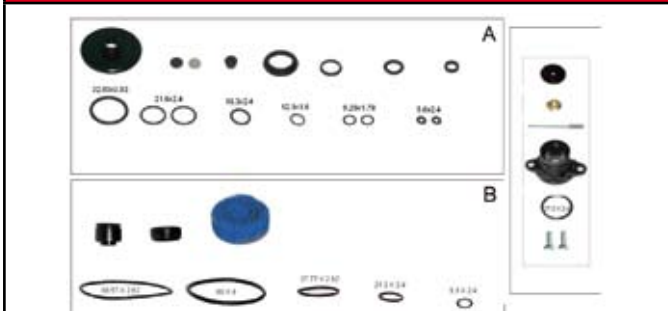
REPAIR KIT



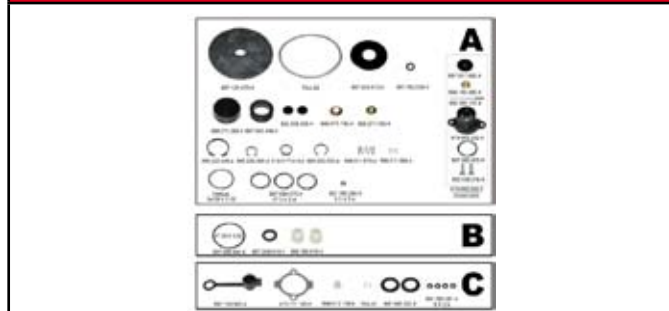
WSK.71.D



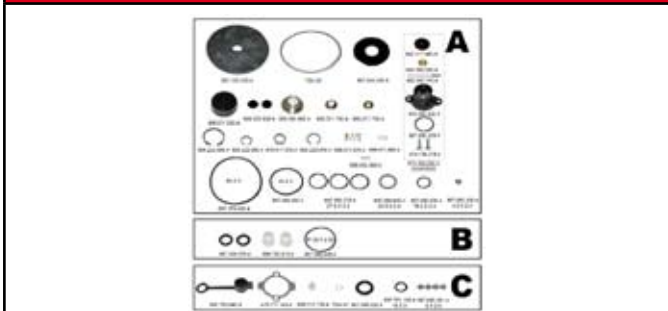
WSK.75



WSK.73



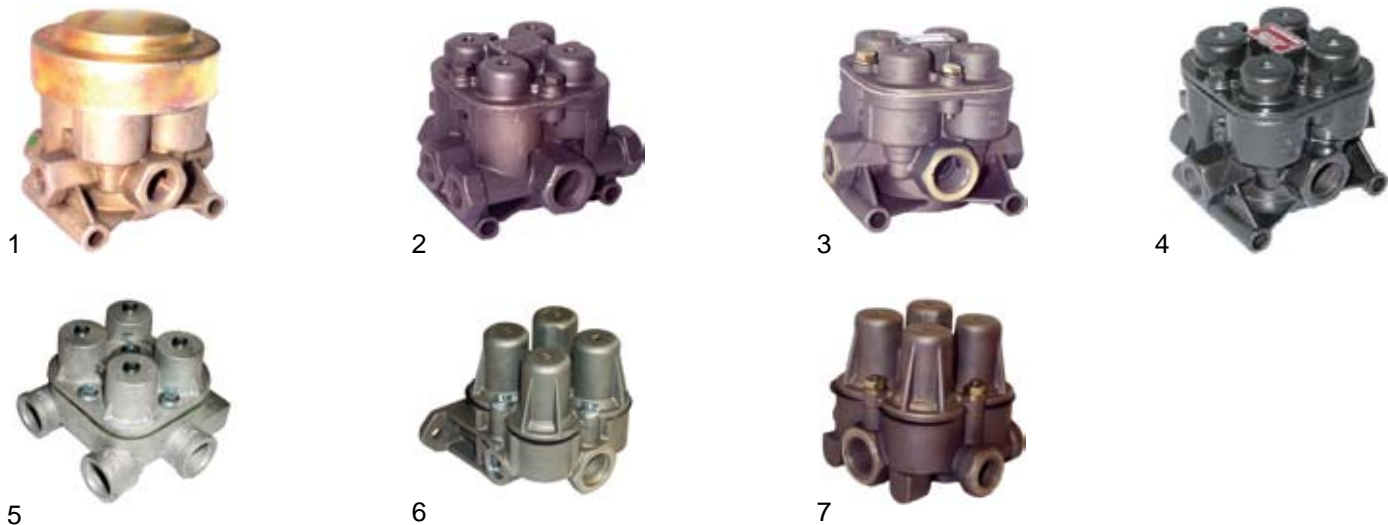
WSK.76



WSK.74



BOSCH / GRAU / KNORR



	NUMBER	OEM N°	OEM	REPAIR KIT N°
1	0.481.062.005	71110166	IVECO	BOSK.8.1
1	0.481.062.006	130617	VOLVO	BOSK.8.1
2	0.481.062.104	79100360056	STEYER	BOSK.8.1
3	0.481.062.105	2516914	IVECO	BOSK.8.1
3	0.481.062.107	5000544488	RVI	BOSK.8.1
3	0.481.062.109	5000873193	RVI	BOSK.8.6
3	0.481.062.110	82838710000	SETRA	BOSK.8.6
3	0.481.062.201	5000788503	RVI	BOSK.8.1
3	0.481.062.301	002.431.06.06	DAI	BOSK.8.1
3	0.481.062.303	002.431.07.06	DAI	BOSK.8.1
3	0.481.062.307	5000544488	RVI	BOSK.8.1
3	0.481.062.308	002.431.13.06	DAI	BOSK.8.1
3	0.481.062.309	5010251073	RVI	BOSK.8.1
3	0.481.062.310	8285412000	SET	BOSK.8.1
3	0.481.062.312	81.52151.6076	MAN	BOSK.8.1
3	0.481.062.317	8285498000	EVO	BOSK.8.1
3	0.481.062.401	670766	DAF	BOSK.8.1
3	0.481.062.405	5010098311	RVI	BOSK.8.1
3	0.481.062.412	5010224822	RVI	BOSK.8.1
4	0.481.062.413	003.431.41.06	DAI	BOSK.8.1
4	0.481.062.209	002.431.79.06	DAI	BOSK.8.1
5	314.096.001	002.431.73.06	DAI	GSK.51.3
6	AE.4196	5000791198	RVI	KSK.3.3
6	AE.4440	5010216965	RVI	KSK.3.3
6	AE.4449	5001837080	RVI	KSK.3.3
6	AE.4451	5001837081	RVI	KSK.3.3
7	AE.4178	81.52151.6065	MAN	KSK.3.3
7	AE.4404	002.431.76.06	DAI	KSK.3.3
7	AE.4437	1238505	DAF	KSK.3.3



KNORR / MARELLI



	NUMBER	OEM N°	OEM	REPAIR KIT N°
8	AE.4158	5000121755	RVI	KSK.3.3
8	AE.4168	4871098	VOLVO	KSK.3.3
8	AE.4170	42085658	IVECO	KSK.3.3
8	AE.4188	5000790960	RVI	KSK.3.3
8	AE.4405	3018549	VOLVO	KSK.3.3
8	AE.4409	1618635	VOLVO	KSK.3.3
8	AE.4427	3124031	VOLVO	KSK.3.3
8	AE.4428	8152899	VOLVO	KSK.3.3
8	AE.4443	1238512	DAF	KSK.3.3
9	VPS.40.C	4775745	IVECO	MSK.51
9	VPS.41.A	5000878469	RVI	MSK.51
10	VPS.45.A	98400429	IVECO	MSK.51.1
10	VPS.45.AY	500319370	IVECO	MSK.51.1
10	VPS.45.BI	550031	BEN	MSK.51.1
11	VPS.48.A	X2216639	OPT	MSK.51.2
11	VPS.48.AI	7U5835	CAT	MSK.51.2
11	VPS.48.B	1573255	VOLVO	MSK.51.2
11	VPS.48.HI	708991	ERF	MSK.51.2
12	AE.4510	003.431.68.06	DAI	KSK.80
12	AE.4525	5010422351	RVI	KSK.80
12	AE.4526	1612053	DAF	KSK.80
12	AE.4528	1607416	DAF	KSK.80
14	AE.4162	81.52151.6063	MAN	KSK.3.3
14	AE.4448	81.52151.6078	MAN	KSK.3.3
15	AE.4604	3197588	VOLVO	KSK.3.4
15	AE.4610	1367504	VOLVO	KSK.3.4
15	AE.4609	81.521.151.6095	MAN	KSK.3.4
15	AE.4613	971 66 254	IVECO	KSK.3.4
15	AE.4615	000.420.57.71	DAI	KSK.3.4
15	AE.4621	-	-	KSK.3.4
16	AE.4603	3197585	VOLVO	KSK.3.4
17	AE.4608	42536555	IVE	KSK.3.4
18	AE.4605	5010422971	RVI	KSK.3.4
19	AE.4625	5010525450	RVI	KSK.3.4



WABCO



	NUMBER	21*	22*	23*	24*	OEM N°	OEM	REPAIR KIT N°
1	934.700.040	6.0	6.0	-	-	001.431.46.06	DAI	-
2	934.701.000	6.0	5.5	5.5	-	42483455	IVE	WSK.51
2	934.701.041	6.0	6.0	5.5	5.5	4675214	IVE	WSK.51
3	934.702.002	6.3	6.3	6.0	6.0	620792	DAF	WSK.51
3	934.702.040	6.0	6.0	5.5	5.5	5000587468	RVI	WSK.51
3	934.702.041	6.0	6.0	5.5	5.5	81.521.516.057	MAN	WSK.51
3	934.702.042	5.4	5.4	4.9	4.9	61573255	VOL	WSK.51
3	934.702.047	6.3	6.3	5.8	5.8	1613652	VOL	WSK.51
3	934.702.082	7.9	7.9	7.9	7.9	4720938	IVE	WSK.51.6
3	934.702.083	7.9	7.9	7.9	7.9	60113900	IVE	WSK.51
3	934.702.100	7.0	7.0	6.0	6.0	1.614.268	FAU	WSK.51.1
3	934.702.101	6.1	6.1	4.5	4.5	508473	DAF	WSK.51.1
3	934.702.110	7.3	7.3	7.3	7.3	5010197201	RVI	WSK.51.1
3	934.702.191	7.9	7.9	7.9	7.9	42066267	IVE	WSK.51.4
3	934.702.192	7.5	7.5	7.5	7.5	4749971	IVE	WSK.51.5
3	934.702.300	7.0	7.0	7.0	7.0	81.521.516.050	MAN	WSK.51
3	934.702.302	7.0	7.0	7.0	7.0	4789812	IVE	WSK.51
3	934.702.320	7.0	7.0	7.0	7.0	81.521.516.007	MAN	WSK.51
3	934.702.322	7.0	7.0	7.0	7.0	81.521.516.074	MAN	WSK.51
3	934.702.323	7.0	7.0	7.0	7.0	81.52151.0.81	MAN	WSK.51
3	934.702.330	7.0	7.0	7.0	7.0	1517802	VOL	WSK.51
3	934.702.340	7.0	7.0	7.0	7.0	001.431.30.06	DAI	WSK.51.5
3	934.702.342	6.5	6.5	6.7	6.7	1506420	DAF	WSK.51.5
3	934.702.380	7.0	7.0	7.0	7.0	664243	DAF	WSK.51.6
3	934.702.381	6.5	6.5	6.5	6.5	384037	DAF	WSK.51.6
3	934.702.387	6.5	6.5	7.5	6.5	1356635	SCA	WSK.51.6
3	934.702.388	7.0	7.0	7.4	7.0	-	-	WSK.51
3	934.702.391	7.0	7.0	7.0	7.0	001.431.89.06	DAI	WSK.51
4	934.702.210	7.0	7.0	7.0	7.0	001.431.47.06	DAI	WSK.51.5
4	934.702.220	7.0	7.0	7.0	7.0	001.431.78.06	DAI	WSK.51
4	934.702.221	7.0	7.0	7.0	7.0	001.431.47.06	DAI	WSK.51
4	934.702.223	7.0	7.0	7.0	7.0	81.52.151.60.78	MAN	WSK.51
5	934.702.240	7.0	7.0	6.5	6.5	81.521.516.037	MAN	WSK.51
5	934.702.250	7.0	7.0	7.0	7.0	002.431.40.06	DAI	WSK.51
5	934.702.252	7.0	7.0	7.0	7.0	003.431.50.06	DAI	WSK.51
6	934.702.260	7.0	7.0	7.0	7.0	002.431.78.06	DAI	WSK.51
6	934.702.261	7.0	7.0	7.0	7.0	1517802	DAF	WSK.51
7	934.702.270	7.0	7.0	7.0	7.0	002.431.72.06	DAI	WSK.51

* Circuit opening pressures



WABCO



	NUMBER	OEM N°	OEM	REPAIR KIT N°
1	934.713.003	0038550900	RVI	WSK.51.7
1	934.713.004	81DB2L322A1B	FORD	WSK.51.7
1	934.713.019	98413416	IVECO	WSK.51.7
2	934.714.011	ACHA001	LEY	WSK.51.14
2	934.714.028	1431049	SCA	WSK.51.14
2	934.714.019	98413416	IVE	WSK.51.14
2	934.714.119	99480157	IVE	WSK.51.14
2	934.714.123	1518192	DAF	WSK.51.14
2	934.714.128	1431049	SCA	WSK.51.14
2	934.714.301	ACHJ807	LEYLAND	WSK.51.14

KNORR / WABCO



	NUMBER	OEM N°	OEM	REPAIR KIT N°
1	AE.4502	42535024	IVE	KSK.80
1	AE.4510	003.431.68.06	DAI	KSK.80
2	AE.4525	5010525808	RVI	KSK.80
3	AE.4526	1612053	DAF	KSK.80
4	934.705.002	003.431.55.06	DAI	WSK.80
4	934.705.004	99707007310	FAV	WSK.80
5	934.705.005	003.431.68.06	DAI	WSK.80
5	934.705.526	1615053	DAF	WSK.80
4	934.705.905	-	-	WSK.80
6	441.043.502.1	001.542.92.18	DAI	WSK.80.1
6	K.001544.004	1385733	DAF	WSK.80.1



BOSCH / DAHL / KNORR / MARELLI



	NUMBER	OEM N°	OEM	REPAIR KIT N°
1	0.481.009.018	000.760.00.78	DAI	BOSK.5.8
1	0.481.009.019	5516015674	RVI	BOSK.5.8
1	0.481.009.022	001.431.57.06	DAI	BOSK.5.8
1	0.481.009.023	81.521.616.123	MAN	BOSK.5.8
1	0.481.009.030	81.521.616.165	MAN	BOSK.5.8
1	0.481.009.040	1606720	VOL	BOSK.5.8
1	0.481.009.047	1608731	VOL	BOSK.5.8
1	0.481.009.050	81.521.616.318	MAN	BOSK.5.8
1	0.481.009.059	1212652	DAF	BOSK.5.8
1	0.481.009.101	362425	SCANIA	BOSK.5.8
2	0.481.009.020	001.431.60.06	DAI	BOSK.5.8
2	0.481.009.029	369518	DAF	BOSK.5.8
2	0.481.009.039	002.431.63.06	DAI	BOSK.5.8
3	110.1587.000	5010791202	RVI	-
3	111.1381.000	61224969	IVE	-
4	AC.156.A	4780202	IVE	MSK.36
4	AC.156.B	8169586	IVE	MSK.36
4	AC.156.C	8166282	IVE	MSK.36
4	AC.156.E	98413945	IVE	MSK.36
5	AE.4212	81.504.656.005	MAN	1.78184

CROSS REFERENCES WABCO > MARELLI / BOSCH > MARELLI

MARELLI	WABCO	IN*	OUT*	BOSCH	IN*	OUT*
AC.156.A	475.015.029.0	12.0	7.4	0.481.009.030	MAX 20.0	7.4
AC.156B	475.015.039.0	11.0	8.5	-		
AC.156C	475.015.037.0	11.0	9.5	-		
AC.156D	475.015.009.0	8.0	5.3	-		
AC.156E	475.015.500.0	8.5	6.5	0.481.009.052	MAX 20.0	6.5
AC.156F	475.015.004.0	8.0	3.5	0.481.009.014	MAX 20.0	3.5
AC.155G	475.015.032.0	12.5	11.0	-		
AC.156.A	475.015.016.0 475.015.031.0	10.0 11.0	7.5 7.5	-		
AC.156.B	475.015.005.0 475.015.039.0	12.0 11.0	8.0 8.5	0.481.009.029	MAX 20.0	8.0
AC.156.C	475.015.037.0	11.0	9.5	0.481.009.021	MAX 20.0	9.5
AC.156.D	475.015.036.0	11.0	6.7	-		
AC.156.E	475.015.032.0	12.5	11.0	-		
AC.156.A	475.015.001.0	16.0	7.4	0.481.009.022	MAX 20.0	7.3
AC.156.G	475.015.020.0	16.0	10.0	0.481.009.021	MAX 20.0	9.5
AC.156.A	475.015.029.0	12.0	7.4	0.481.009.030	MAX 20.0	7.4
AC.156.B	475.015.035.0	12.0	8.7	0.481.009.039	MAX 20.0	8.5
AC.156.A	475.015.028.0	10.0	7.5	0.481.009.019	MAX 20.0	7.3
AC.156.E	475.015.030.0	8.0	6.0	0.481.009.017	MAX 20.0	5.9
AC.156.H	475.015.041.0	8.0	1.4	-	MAX 20.0	
AC.156.E	475.015.400.0	8.0	4.5	0.481.009.043	MAX 20.0	4.4
AC.156.F	475.015.500.0	8.5	6.5	0.481.009.052	MAX 20.0	6.5

* BAR : pressure values IN / OUT

* « IN/OUT » = IN / Out delivery pressure

If you only wish to stock one brand, TRUCKTECHNIC recommends MARELLI

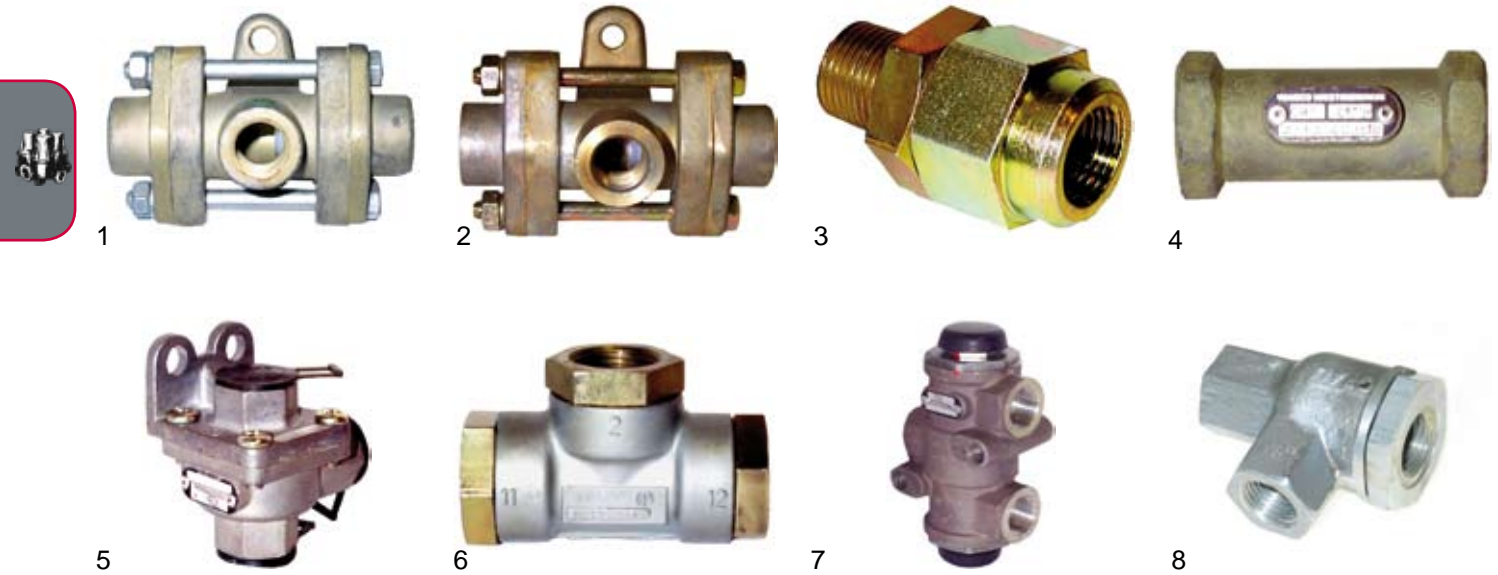
WABCO



	NUMBER	OEM NUMBER	OEM	REPAIR KIT N°
1	473.300.003	000.431.19.13	DAI	WSK.34
1	473.300.013	000.413.32.13	DAI	WSK.34
1	473.301.000	002.429.89.44	DAI	WSK.35.1
1	473.301.001	004.431.24.06	DAI	WSK.35
1	473.301.003	002.429.57.44	DAI	WSK.35
1	473.301.013	003.429.14.44	DAI	WSK.35
2	473.302.000	1212203	DAF	WSK.35.2
2	473.302.001	1581407	VOL	WSK.35.2
2	473.302.002	81.52161.6215	MAN	WSK.35.2
3	475.010.000	001.429.25.44	DAI	WSK.36
3	475.010.001	04463225	IVE	WSK.36
3	475.010.002	002.429.87.44	DAI	WSK.36
3	475.010.003	001.429.17.44	DAI	WSK.36
3	475.010.008	81.52101.6068	MAN	WSK.36
3	475.010.009	42033825	IVE	WSK.36
3	475.010.010	002.429.28.44	DAI	WSK.36
3	475.010.013	002.429.17.44	DAI	WSK.36
3	475.010.015	81.52101.6122	MAN	WSK.36
3	475.010.016	5430009715	RVI	WSK.36
3	475.010.025	769782	PEG	WSK.36
3	475.010.026	5010068962	WI	WSK.36
4	475.010.300	81.52101.6269	MAN	WSK.36.2
4	475.010.318	81.52101.6282	MAN	WSK.36.2
5	475.010.400	1305138	DAF	WSK.36.2
6	475.015.001	001.431.57.06	DAI	WSK.36.1
6	475.015.001	81.52101.6150	MAN	WSK.36.1
6	475.015.004	81.52101.6154	MAN	WSK.36.1
6	475.015.016	5000445899	RVI	WSK.36.1
6	475.015.028	5010067850	RVI	WSK.36.1
6	475.015.031	1606720	VOL	WSK.36.1
6	475.015.032	98413953	IVE	WSK.36.1
6	475.015.039	8169587	IVE	WSK.36.1
6	475.015.500	1370608		WSK.36.1
7	975.001.000	720000	DAF	WSK.59.1
7	975.001.001	000.430.51.81	DAI	WSK.59.1
8	975.002.001	102941	DAF	WSK.59
8	975.002.002	000.430.58.81	DAI	WSK.59
8	975.002.005	1576614	VOL	WSK.59
8	975.002.017	001.430.64.81	DAI	WSK.59



BENDIX / KNORR / HALDEX / WABCO



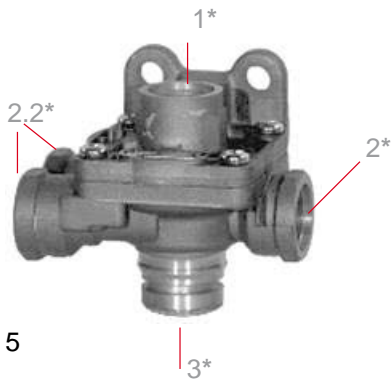
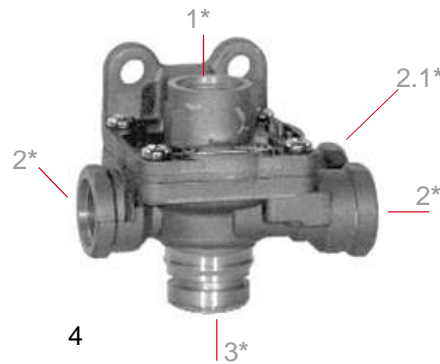
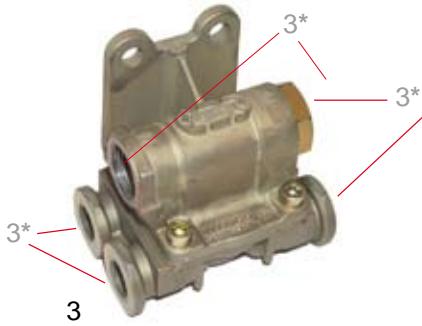
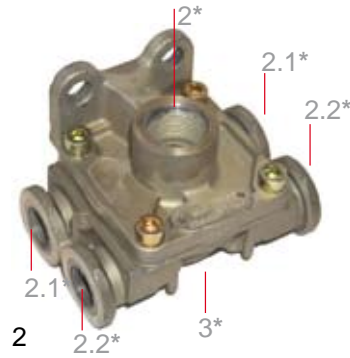
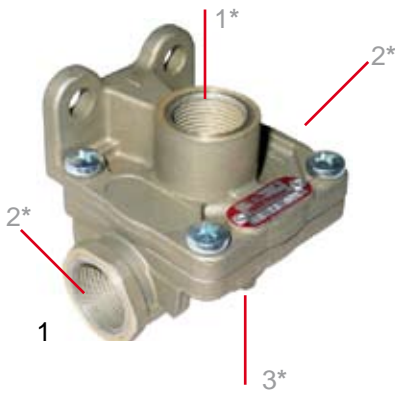
	NUMBER	OEM N°	OEM	REMARKS	REPAIR KIT N°
1	295036	1572791	VOL	3/8 NPT	-
2	295358	290017	SCA	M16 x 1.5	-
2	AE.4253	1505044	VOL	M16 x 1.5	-
3	KW.2966.1	1513726	VOL	½ NPT	BSK.24
3	AE.5125	72DB2365AA	FOR	½ NPT	-
3	KW4648.1	1609497	VOL	M22 x 1.5 CONICAL	-
3	KW.4455.1	1585876	VOL	M22 x 1.5	BSK.24
3	227870	-	-	3/8 NPT	-
4	434.014.000	81.52120.6004	MAN	-	-
5	434.202.000	000.429.40.44	DAI	-	-
5	434.202.100	000.429.92.44	DAI	-	-
6	434.208.000	001.429.24.44	DAI	-	-
6	434.208.002	0942320061	RVI	-	-
6	434.208.029	81.52130.6043	MAN	-	-
6	AE.4100	000.429.00.47	DAI	-	-
6	AE.4250	002.429.99.44	SAI	-	-
7	434.700.003	001.586.08.43	DAI	-	-
8	205.004.001	42044435	IVE	-	-
8	111.1419.000	5010013280	RVI	-	-

WABCO & KNORR CROSS REFERENCES



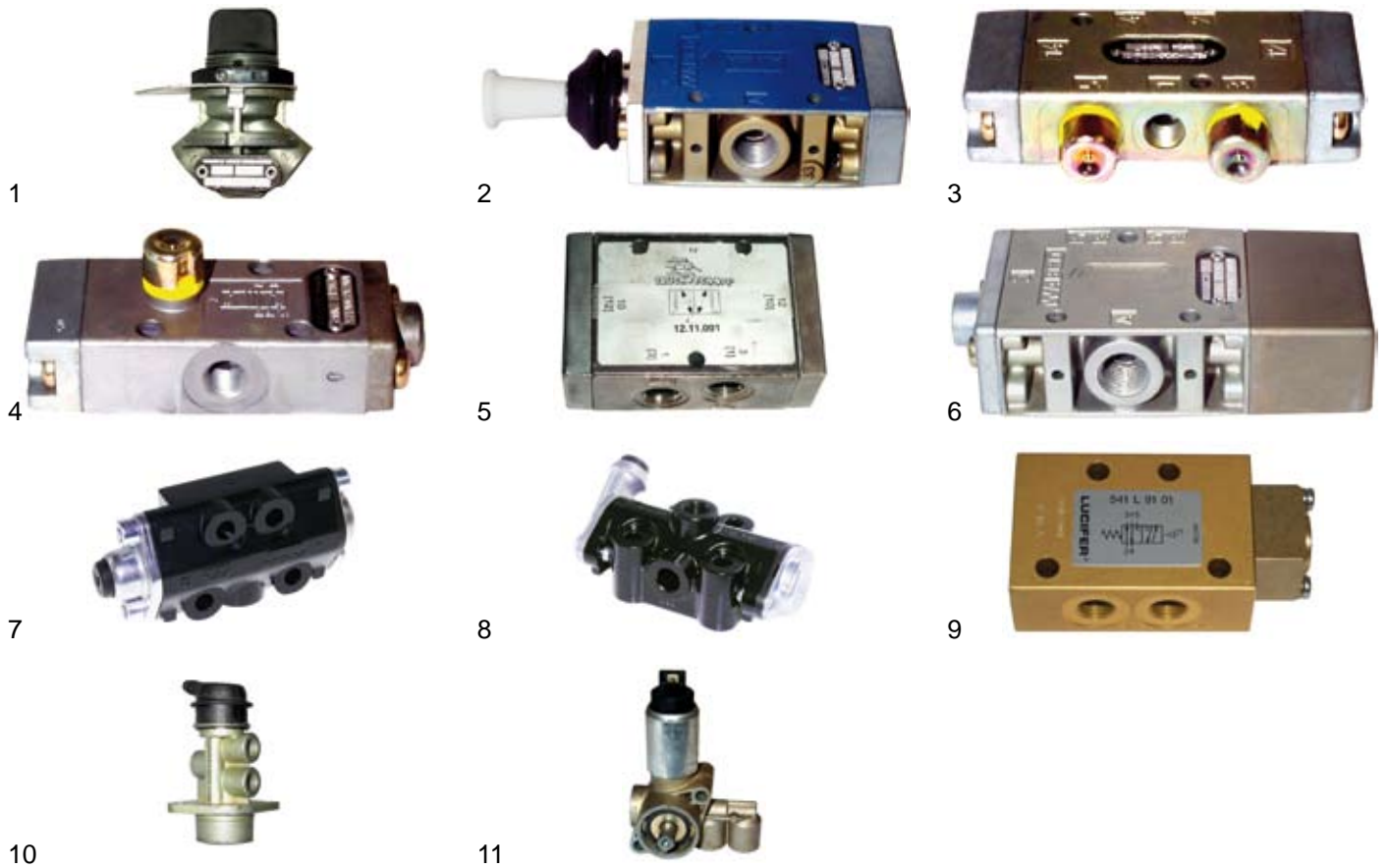
NUMBER	OEM N°	OEM	CROSS REFERENCES
434.100.022	001.429.47.44	DAI	DR.4120
434.100.023	001.429.60.44	DAI	DR.4128
434.100.024	001.429.46.44	DAI	DR.4122
434.100.025	001.429.61.44	DAI	DR.4125
434.100.033	81.52110.6049	MAN	DR.4130
434.100.034	002.429.72.44	DAI	DR.4131
434.100.037	81.52110.6062	MAN	-
434.100.080	0024771019	RVI	DR.4101
434.100.121	001.429.62.44	DAI	DR.4342
434.100.122	001.429.53.44	DAI	DR.4126
434.100.123	001.429.63.44	DAI	DR.4344
434.100.124	001.429.52.44	DAI	-
434.100.125	001.429.64.44	DAI	DR.4301
434.100.126	81.52110.6040	MAN	DR.4352
434.100.220	003.429.51.44	DAI	DR.4341
434.100.221	001.429.50.44	DAI	DR.4245
434.100.222	001.429.49.44	DAI	DR.4108
434.100.225	004.429.32.44	DAI	-
434.100.227	002.429.09.44	DAI	DR.4239
434.100.507	370295	SCA	-

WABCO



	NUMBER	1*	2*	2.1*	2.2*	3*	OEM N°	OEM	REPAIR KIT N°	REMARKS
1	973.500.000	M22	M22	-	-	M22	000.429.06.44	DAI	WSK.59.2	-
1	973.500.003	3/8	3/8	-	-	3/8	0024551020	RVI	WSK.59.2	-
1	973.500.006	M16	M16	-	-	M16	61500291	IVE	WSK.59.2	-
1	973.500.011	3/8	1/4	-	-	3/8	0037434900	RVI	WSK.59.2	-
1	973.500.012	1/2	1/4	-	-	3/8	171434	DAF	WSK.59.2	-
1	973.500.014	1/2	3/8	-	-	3/8	1584448	VOL	WSK.59.2	-
1	973.500.018	M22	M16	-	-	M22	CF352208	FRU	WSK.59.2	-
1	973.500.047	M22	M16	-	-	M16	3173152	VOL	WSK.59.2	
2	973.500.038	M22	M16	M16	M16	M22	1504911	DAF	WSK.59.2	VOSS
3	973.500.051	M22	M16	M16	M16	M22	5021170470	RVI	WSK.59.2	
3	973.500.053	M16	M16	M16	M16	M16	1518276	DAF	WSK.59.2	
4	973.500.031	M22	M22	M16	-	-	004.429.25.44	DAI	WSK.59.2	
5	973.500.034	M22	M22	M16	-	-	1518274	DAF	WSK.59.2	
5	973.500.028	M22	M22	M16	-	-	004.429.23.44	DAI	WSK.59.2	
5	973.500.042	M22	M22	-	-	M22	81.52170.6140	MAN	WSK.59.2	

WABCO / BOSCH / RVI / VOLVO



	NUMBER	OEM N°	OEM	REPAIR KITS N°
1	463.036.001	81.521.856.023	MAN	-
2	563.112.931	5010056473	RVI	WSK.60.1
3	571.003.104	000.260.14.57	DAI	WSK.60.1
4	571.003.920	1669419	VOL	-
5	571.002.000	001.429.04.44	DAI	WSK.60.1
5	571.004.000	933797	PEG	-
5	571.040.000	003.429.68.44	DAI	-
6	571.004.900	002.429.21.44	DAI	-
7	1521247	1521247	VOL	TSK.26.15
8	20775173	8171247	VOL	-
9	500789615	5000789615	RVI	-
10	0.481.007.049	-	-	-
11	0.481.007.501	-	-	-



WABCO / KNORR



NUMBER	OEM N°	OEM	REPAIR KITS N°	
1	463.022.020	267859	VOL	WSK.23.4
2	463.022.000	84.51101.6008	MAN	WSK.23.4
3	463.004.000	000.997.37.36	DAI	WSK.24
4	963.001.000	719991	DAF	-
5	963.001.001	736144	DAF	-
6	963.001.012	1325329	DAF	-
6	AE.4215	5000809163	RVI	-
6	AE.4233	-	-	-
7	963.001.013	5021170425	RVI	-
8	352.044.011	CF352602	FRU	-
8	963.001.050	5021170426	RVI	-
8	963.001.051	1506448	DAF	-
8	963.001.052	1506449	DAF	-
8	AE.4230	-	-	-
8	AE.4247	-	-	-
9	AE.4217	-	-	-
9	963.006.001	053010	SCHMITZ	-
9	963.006.003	5810549	KRONE	-
10	963.001.016	151448	DAF	-
11	AE.4231	-	-	-

WABCO / KNORR



NUMBER	OEM N°	OEM	REMARKS	
1	KX.1729.4	1591738	VOLVO	M.16 X 1.5 - 13.5 BAR
1	KX.175.1	303441	SCA	1/4 NPT - 11 BAR
1	KX.175.5	1504584	VOLVO	1/4 NPT - 9.8 BAR
2	934.602.150	5000819896	RVI	M.14 X 1.5 - 10 BAR
3	434.612.004	005.429.02.44	DAI	M22x 1.5 - 13 BAR
4	90361	47178275	IVE	M16 x 1.5 - 11 BAR
4	90362	81.52102.0022	MAN	M16 x 1.5 - 13 BAR
4	90363	5001834639	RVI	M16 x 1.5 - 17 BAR

REPAIR KIT ALPHA NUMERICAL INDEX

TT PART N°	ORIGINAL KIT N°	MAKER	DESCRIPTION	APPLICATION
BOSK.5.8	1.487.010.175	BOSCH	R/KIT 0.481.009	0.481.009.020 / 025
BOSK.8.1	1.487.010.234	BOSCH	R/KIT 0.481.062.101/8	0.481.062.1...
BOSK.8.6	-	BOSCH	R/KIT 0.481.062 CV ASSY	0.481.062.109 / 110
BSK.24	105067	BENDIX	R/KIT FOR SINGLE CHECK VALVE	KW.2966 / KW.4455
GSK.51.3	-	GRAU	KIT FOR 4-SYST PROT VLV 314.096	314.096.001
KSK.3.3	1.78849	KNORR	R/KIT AE.41.. COMPLETE	AE.41..COMPLETE KIT
KSK.3.4	-	KNORR	KIT FOR 4-SYST PROT VLV AE.46..	AE.4605 / 4605
KSK.80	11.31163.0051	KNORR	KIT FOR AE.4526=4SYST OF APU	AE.4526
MSK.36	766627.02	MARELLI	R/KIT AC.156	AC.156.A
MSK.51	-	MARELLI	R/KIT VPS.40.A	VPS.40.A
MSK.51.1	766372.01	MARELLI	R/KIT VPS.45.A	VPS.45.A
WSK.13	434.100.000.2	WABCO	R/KIT 434.100 UNIVERSAL	434.100.OLD & NEW
WSK.15	434.700.003.2	WABCO	R/KIT 434.700.002/3/5	434.700.002 / 003 / 005
WSK.24.1	463.013.004.2	WABCO	R/KIT 463.013.1..	463.013.1..
WSK.31.2	472.123.000.2	WABCO	R/KIT 472.123....	472.123../ 135 / 323...
WSK.34	473.300.003.2	WABCO	R/KIT 473.300	473.300.004 / 014 / 064 / 116
WSK.35	473.301.009.2	WABCO	R/KIT 473.301	473.301.001 / 004 / 021 / 022
WSK.35.2	473.302.001.2	WABCO	R/KIT 473.302....	473.302.000.0
WSK.36	475.010.000.2	WABCO	R/KIT 475.010	475.010....
WSK.36.1	475.015.000.2	WABCO	R/KIT 475.015...	475.015.001 / 004 / 008
WSK.36.2	475.010.001.2	WABCO	R/KIT FOR 475.010.300/400	475.010.300 / 400
WSK.51	934.702.000.2	WABCO	R/KIT + 4 CIRCUIT PROT VALVE	961.701../.702....
WSK.51.1	934.702.001.2	WABCO	R/KIT - 934.702.100/101/110	934.701.100 / 101 / 110
WSK.51.13	-	WABCO	R/KIT CHECK VALVE	934.702.210 / 220 / 340
WSK.51.14	-	WABCO	R/KIT - 934.714	934.714...
WSK.51.5	934.702.005.2	WABCO	R/KIT 934.702.210/20 ONLY	934.702.210 / 220
WSK.51.6	934.702.006.2	WABCO	R/KIT 934.702.380/381/082	934.702.082 / 380 / 381
WSK.51.7	934.713.000.2	WABCO	R/KIT FOR 934.713.003	934.713.002 / 003
WSK.59	975.002.000.2	WABCO	R/KIT 975.002 (ALL MODELS)	975.002.000 / 002 / 012 / 032
WSK.59.1	975.001.000.2	WABCO	R/KIT 975.001	975.001.000 / 001 / 002 / 003
WSK.59.2	973.500.000.2	WABCO	R/KIT 973.500...	973.500...
WSK.60.1	571.003.004.2	WABCO	R/KIT 571.003.102/4/5	571.003.....
WSK.80	-	WABCO	FOR 934.705.005 = 4SYS APU 932.500	934.705.005
WSK.80.1	-	WABCO	FOR 934.705.005 = 4SYS APU 932.500	934.705.005



REPAIR KIT



BOSK.5.8



BOSK.8.1



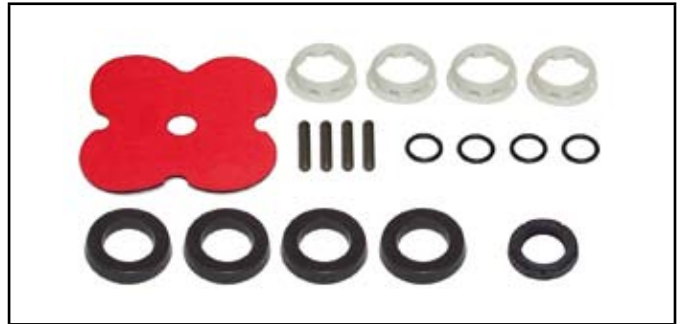
BOSK.8.6



BSK.24



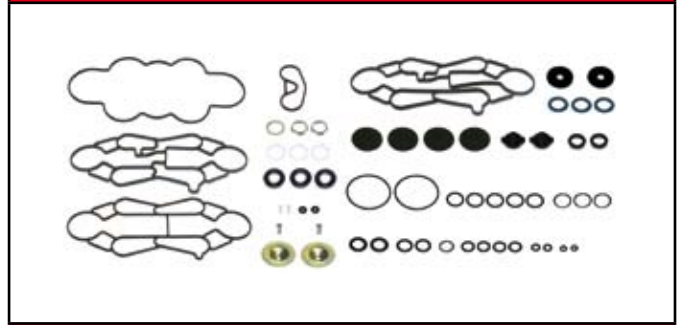
GSK.51.3



KSK.3.3



KSK.3.4



KSK.80



MSK.36



MSK.51

REPAIR KIT



MSK.51.1



WSK.34



WSK.13



WSK.35



WSK.15



WSK.35.2



WSK.24.1



WSK.36



WSK.31.2



WSK.36.1

REPAIR KIT



WSK.36.2



WSK.51.6



WSK.51



WSK.51.7



WSK.51.13



WSK.59



WSK.51.14



WSK.59.1



WSK.51.5



WSK.59.2

BENDIX -GRAU - KNORR



1



2



3



4



5



6



7



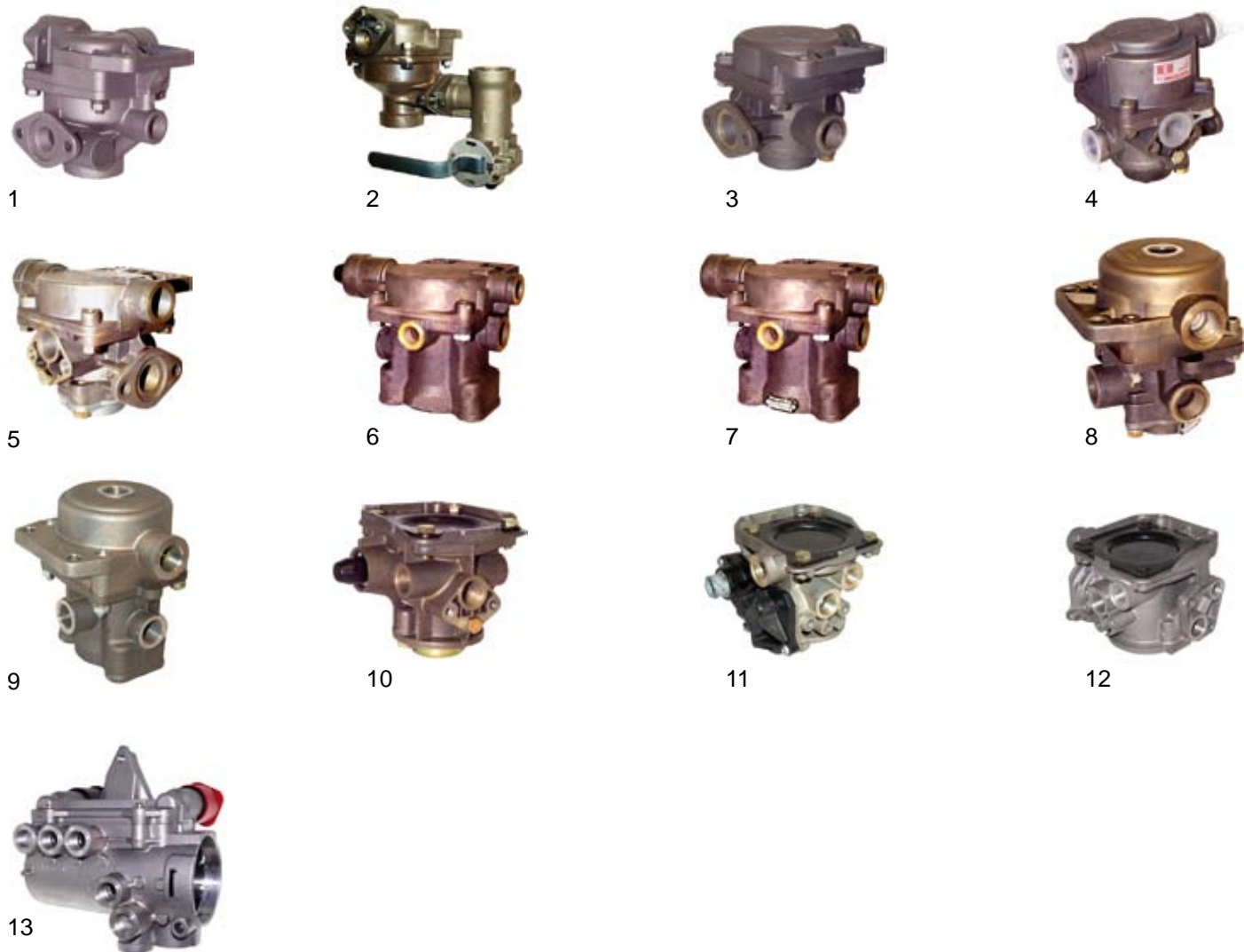
8



9

	NUMBER	OEM N°	OEM	REPAIR KIT N°
1	281672	611386	YORK	BSK.46
2	271483	AAV5938	LEYLAND	BSK.43
3	201.002.001	-	TRAILER	GSK.46
4	351.008.011	CF351407	FRUEHAUF	GSK.2
5	351.008.012	CF352532	FRUEHAUF	GSK.2
6	AS.3002	-	TRAILER	PDSK.2
7	AS.3011	CF3509634	FRUEHAUF	PDSK.2
7	AS.3012	-	TRAILER	PDSK.2
7	AS.3018	-	TRAILER	PDSK.2
7	AS.3051	-	TRAILER	PDSK.2
7	AS.3054	-	TRAILER	PDSK.2
8	AS.3250	CF3513235	FUEHAUF	PDSK.2
9	AE.4311	055016	SCHMITZ	-

WABCO



	NUMBER	OEM N°	OEM	REPAIR KIT N°
1	471.005.020.0	637203380	VHOOOL	WSK.30
2	471.005.531.0	637200460	VHOOOL	WSK.30 + 30.1
3	971.002.000.0	198557	PEGASO	WSK.56
4	971.002.110.0	815807	DAF	WSK.56
5	971.002.150.0	830550	DAF	WSK.56
6	971.002.152.0	1325335	DAF	WSK.56
7	971.002.157.0	1518258	DAF	WSK.56
8	971.002.200.0	816370	DAF	WSK.56
9	971.002.201.0	-	-	WSK.56
10	971.002.300.0	0243115100	BPW	WSK.56.3
10	971.002.301.0	1506171	DAF	WSK.56.3
10	971.002.304.0	CF352393	FRUEHAUF	WSK.56.3
10	971.002.307.0	CF351996	FRUEHAUF	WSK.56.3
11	971.002.802.0	054031	SCH	WSK.56.3
12	971.002.805	5870375	KRO	WSK.56.3
13	971.002.900	5817911	KRO	WSK.56.6



REPAIR KIT ALPHA NUMERICAL INDEX

TT PART N°	ORIGINAL KIT N°	MAKER	DESCRIPTION	APPLICATION
BSK.43	105006	BENDIX	R/KIT RE.4	RE.4
BSK.46	SK.2677.1	BENDIX	R/KIT RE 6	281672 / KY.1001.1 / RE.6
BSK.46.1	SK.2677.1	BENDIX	R/KIT R.E.6	RE.6
GSK.2	950.351.004	GRAU	R/KIT 351.008...	351.008.011 / 012
GSK.3	950.351.008	GRAU	R/KIT 351.012.000 / 014.000	351.012 / 014
PDSK.2	SEB.22068	KNORR	R/KIT AS.3... + AE.4214	AS.3...SERIES
WSK.30	471.005.009.2	WABCO	R/KIT 471.005	471.005.020.0
WSK.56	971.002.003.2	WABCO	R/KIT 971.002.150	971.002.150 / 151 / 152 / 201
WSK.56.3	971.002.008.2	WABCO	R/KIT 971.002.300/1	971.002.300 / 301 / 802
WSK.56.3C	-	WABCO	R/KIT 971.002.300	971.002.300
WSK.56.4	971.002.922.2	WABCO	R/KIT CABLE & PRESSURE SENSOR	971.002.802 / 805
WSK.56.5	971.002.921.2	WABCO	R/KIT CABLE & PRESSURE SENSOR	971.002.802 / 805



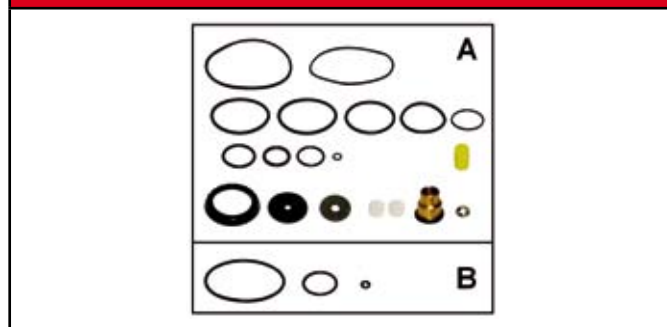
BSK.43



BSK.46.1



BSK.46

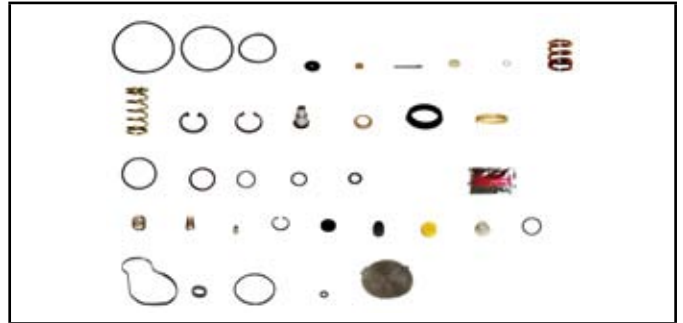


GSK.2

REPAIR KIT



GSK.3



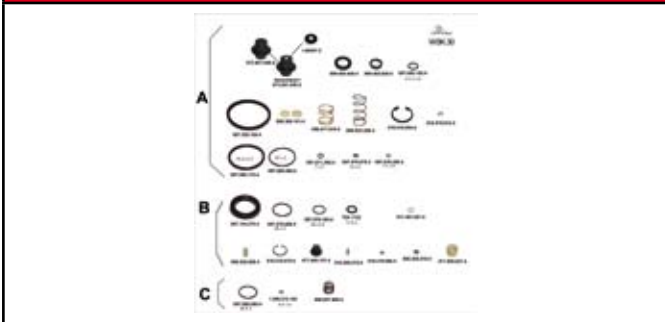
WSK.56.3



PDSK.2



WSK.56.3C



WSK.30



WSK.56.4

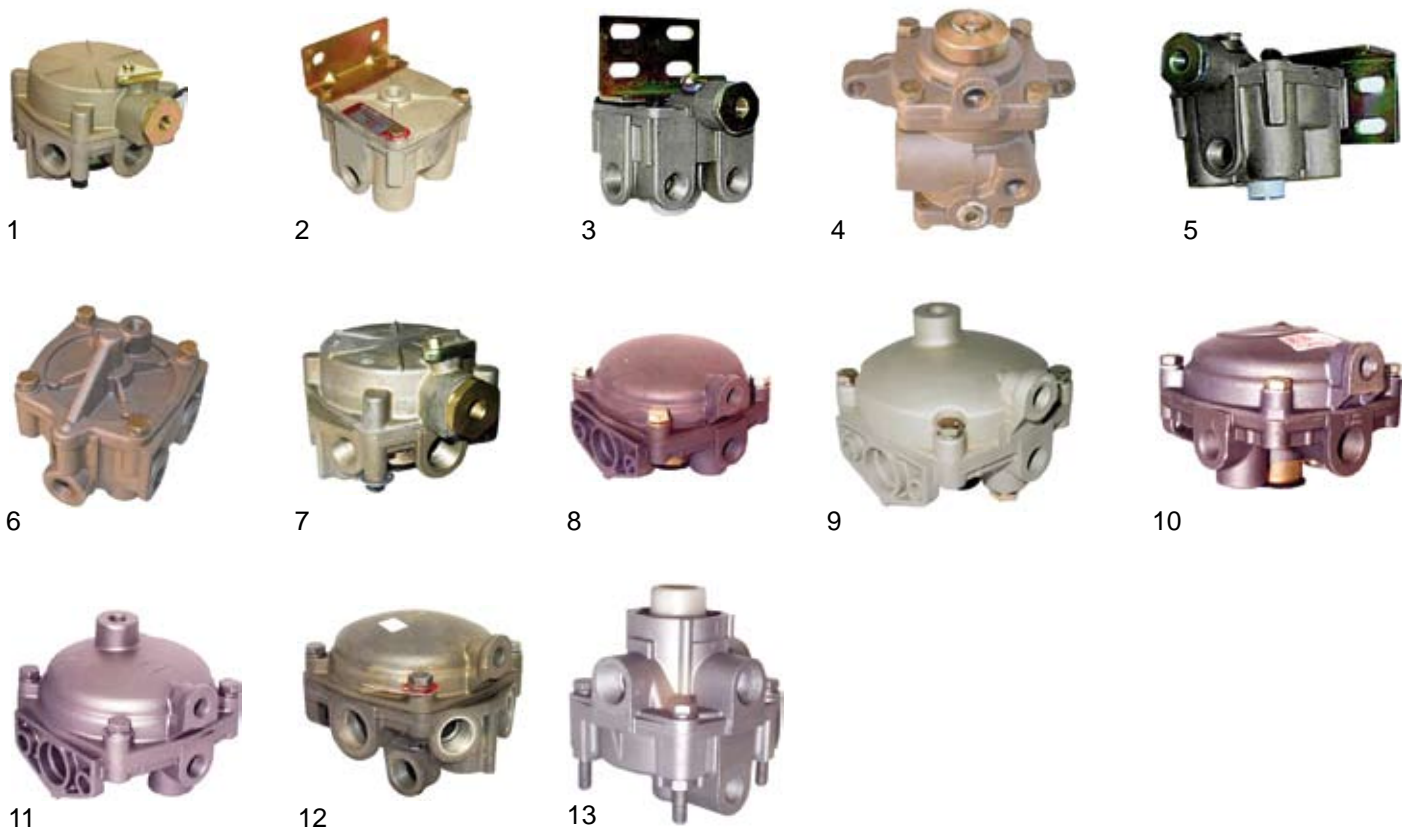


WSK.56



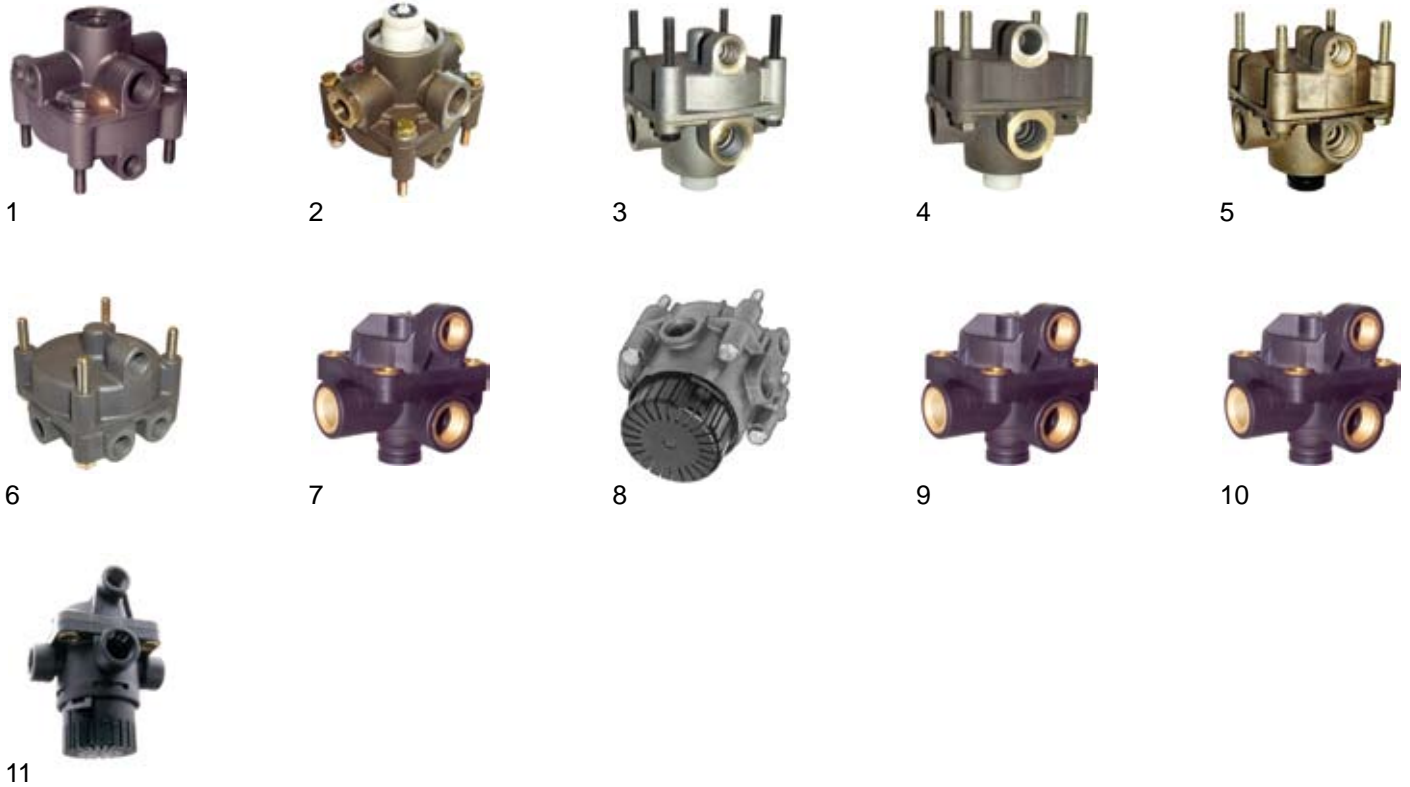
WSK.56.5

BENDIX



	NUMBER	OEM N°	OEM	REPAIR KIT N°
1	101930	1588580	VOLVO	BSK.65.1
2	102166	-	-	BSK.71
3	102998	-	-	BSK.71
4	103081	-	-	-
5	103833	-	-	BSK.71
6	109264	-	-	BSK.71
7	286370	-	-	BSK.65.1
7	287114	-	-	-
8	280375	521837	DAF	BSK.45
9	295071	354451	VOLVO	BSK.45
10	295198	217385	SCANIA	BSK.45
11	295199	1505036	VOLVO	BSK.45
11	295528	576726	VOLVO	BSK.45
12	KY.1810.1	290013	SCANIA	BSK.65.1 / BSK.65.2
13	KY.2308.1	350001	SCANIA	-

BOSCH



	NUMBER	OEM N°	OEM	REPAIR KIT N°
1	0.481.026.005	5000804192	RVI	BOSK.10.1
1	0.481.026.009	606709	VOLVO	BOSK.10.1
1	0.481.026.015	1313871	SCANIA	BOSK.10.1
1	0.481.026.016	396407	DAF	BOSK.10.1
2	0.481.026.006	5000546557	RVI	BOSK.10.1
2	0.481.026.014	1082666	VOLVO	BOSK.10.1
3	0.481.026.019	1082666	VOLVO	BOSK.10.4
4	0.481.026.021	3173824	SCANIA	BOSK.10.4
5	0.481.026.022	5010216845	RVI	BOSK.10.4
5	0.481.026.032	3173824	SCANIA	BOSK.10.4
6	0.481.026.027	571193	SCANIA	BOSK.10.5
7	0.481.026.301	004.429.11.44	DAI	BOSK.57.3
7	0.481.026.302	81.52.116.60.65	MAN	BOSK.57.3
8	0.481.026.026	5010260468	RVI	BOSK.10.11 / BOSK.10.8
9	0.481.026.303	004.429.80.44	DAI	BOSK.57.3
10	0.481.026.306	-	-	BOSK.57.3
11	0.481.026.307	-	-	BOSK.57.3



GRAU - KNORR - MARELLI - MIDLAND



1



2



3



4



5



6



7



8



9



10



11



12

	NUMBER	OEM N°	OEM	REPAIR KIT N°
1	355.018.011	001.429.91.44	DAI	GSK.34
1	355.023.001	562370	DAF	-
1	RE.1105	0024733005	RVI	KSK.4
1	RE.1110	5000012541	RVI	KSK.4
2	RE.1115	81.52116.6019	MAN	KSK.4
2	RE.1121	5001000317	RVI	KSK.4
3	RE.2221	5000465056	RVI	KSK.4
4	RE.2225	623518	DAF	KSK.4
5	AC.571.A	350000	SCANIA	MSK.2.2
6	AC.574.AXY	571174	SCANIA	MSK.2.3
6	AC.574.CXY	571174	SCANIA	MSK.2.3
7	AC.586.A	4688363	IVECO	MSK.3
8	RE.3312	5010216962	RVI	-
9	KN.28520	-	-	-
9	KN.28500	-	-	-
10	KN.28510	-	-	-
10	KN.28550	-	-	-
11	KN.28600	-	-	-
11	KN.28601	-	-	-
12	KN.30100	-	-	-
12	KN.30200	-	-	-

WABCO



	NUMBER	OEM N°	OEM	REPAIR KIT N°
1	473.017.000	5010098974	RVI	WSK.33.1
1	473.017.030	460.002.2	DIMETAL	WSK.33.1
2	973.001.010	4821633610	RVI	WSK.33.1
2	973.001.020	003.429.53.44	DAI	WSK.33.1
3	973.001.211	537361	SCANIA	WSK.33.1
2	973.001.220	637207530	VHOOL	WSK.33.1
4	973.001.221	81.52150.6011	MAN	WSK.33.1
5	973.006.000	81.52116.6059	MAN	WSK.57.3
5	973.006.001	81.52116.6068	MAN	WSK.57.3
6	973.011.000	386.429.70.44	DAI	WSK.57.5
6	973.011.001	1313871	SCANIA	WSK.57.5
6	973.011.004	004.429.62.44	DAI	WSK.57.5
6	973.011.009	1340470	DAF	WSK.57.5
7	973.011.002	1313871	SCANIA	WSK.57.5
7	973.011.007	386.429.70.44	DAI	WSK.57.5
7	973.011.010	350000	SCANIA	WSK.57.7
8	973.011.050	1425183	SCANIA	WSK.57.7
9	973.011.100	ACHA962	LEYLAND	WSK.57.7
9	973.011.107	1302095	DAF	WSK.57.7
9	973.011.109	1340471	DAF	WSK.57.7
9	973.011.110	1350673	DAF	WSK.57.7
10	973.011.200	81.52116.6071	MAN	WSK.57.7
10	973.011.203	41025604	IVECO	WSK.57.7
11	973.011.205	005.429.10.44	DAI	WSK.57.7
11	973.011.206	5010260705 1518270	RVI DAF	WSK.57.7
12	973.011.300	20733197	VOLVO	WSK.57.12



REPAIR KIT ALPHA NUMERICAL INDEX

TT PART N°	ORIGINAL KIT N°	MAKER	DESCRIPTION	APPLICATION
BOSK.10.1	1.487.010.101	BOSCH	R/KIT (LONG VALVE 23.8mm)	0.481.026.004 / 005 / 006 / 011 / 017
BOSK.10.4	1.487.010.282	BOSCH	R/KIT FOR 0.481.026.019	0.481.026.019 / 021 / 022 / 027
BOSK.10.5	-	BOSCH	R/KIT 0.481.026.027	0.481.026.027
BOSK.57.3	-	BOSCH	R/KIT 0.481.026.301/2	0.481.026.301 / 302
BSK.45	SK.2661.1	BENDIX	R/KIT R.6	280375
BSK.45.C	263945	CLAYTON	R/KIT R.6 (COMPLETE)	R.6 VALVE
BSK.65.1	-	BENDIX	R/KIT R.8 (COMPLETE)	R.8 VALVES
BSK.65.2	-	BENDIX	R/KIT SILENCER R.8	R.8 VALVES
BSK.71	202551	BENDIX	R/KIT R.12	R.12 VALVES
CDSK.8.5	GA.29011	CLAYTON	R/KIT (APGA.6494)	APGA.6493 / 6578 / 6580
GSK.34	950.355.004	GRAU	R/KIT RELAY VALVE 355.018...	355.018.001 / 011
KSK.4	1.68094	KNORR	KIT RE.1121 - ALL MODELS	RE.1115 / 1121 / 2221
KSK.4.6	-	KNORR	R/KIT RELAY VALVE RE....	-
MSK.2.2	392187	SCANIA	R/KIT AC.571	AC.571
MSK.2.3	-	MARELLI	R/KIT AC.574...	AC.574.AXY / BX / CXY
MSK.3	766832.02	MARELLI	R/KIT AC.586	AC.586 DUAL RELAY
WSK.33.1	473.017.000.2	WABCO	R/KIT C/W EXH.FITTING	473.017 + 973.001.010 / 020
WSK.57.3	973.006.000.2	WABCO	R/KIT (973.006...)	973.006.000 / 001
WSK.57.5	973.011.000.2	WABCO	R/KIT 973.011	973.011.000 / 001 / 002 / 004 / 007
WSK.57.7	973.011.002.2	WABCO	R/KIT 973.011 W/CV	973.011.010 / 050 / 100 / 110 / 201
WSK.57.12	973.011.005.2	WABCO	R/KIT 973.011.300	973.011.300
WSK.57.13	432.407.050.0	WABCO	R/KIT SILENCER	973.011.004 /.109 /.205 /.206
WSK.58.9	-	WABCO	R/KIT 480.202.004	480.202.004

REPAIR KIT



BOSK.10.1



BSK.45.C



BOSK.10.4



BSK.65.1



BOSK.10.5



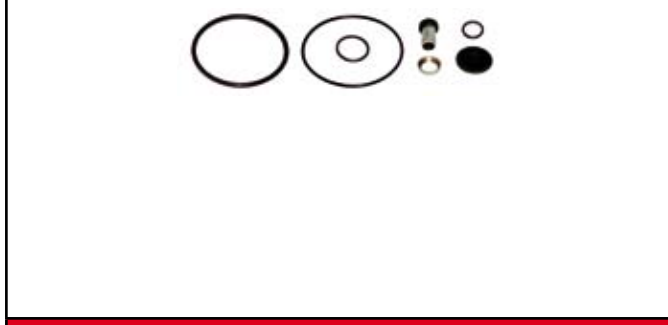
BSK.65.2



BOSK.57.3



BSK.71



BSK.45



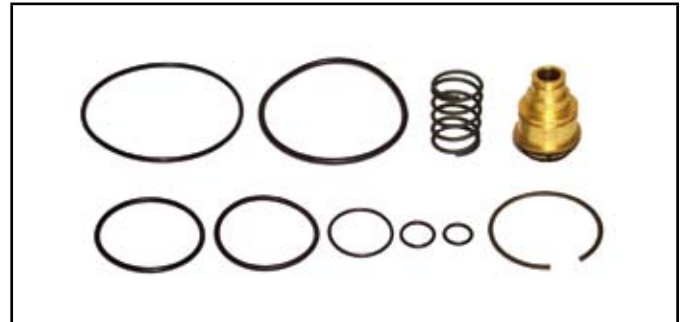
CDSK.8.5



REPAIR KIT



GSK.34



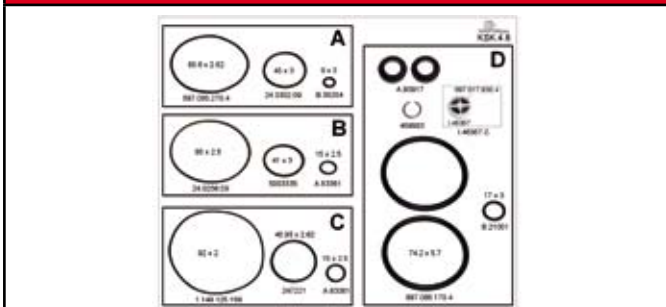
MSK.2.2



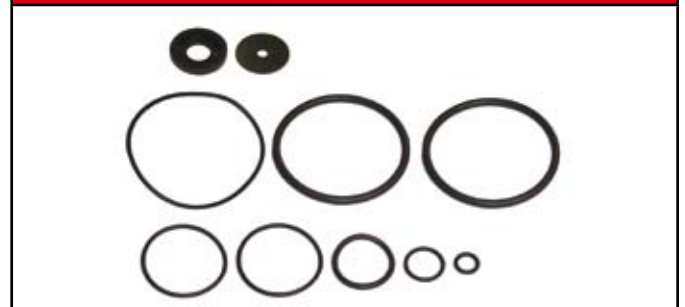
KSK.4



MSK.2.3

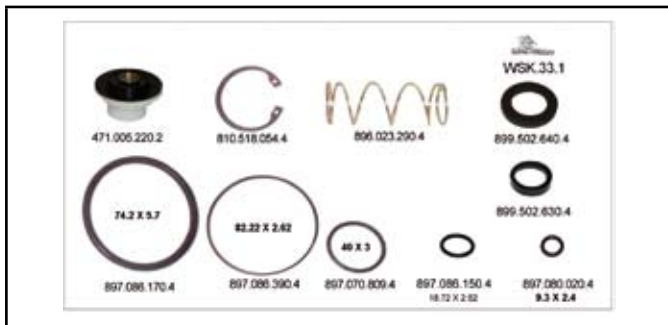


KSK.4.6



MSK.3

REPAIR KIT



WSK.33.1



WSK.57.5



WSK.57.3



WSK.57.7



TUBE-MOUNTED FOR WEDGE BRAKES: WABCO



N°	NUMBER	OEM N°	OEM	REMARKS
1	423.142.002	42050620	IVE	T.9 -1 3/4-365mm Tube length
1	423.143.002	42050131	IVE	T.12 -1 3/4-365mm Tube length
1	423.143.006	4776986	IVE	T.12 -1 3/4-215mm Tube length
1	EF.161.DY	41211026	IVE	T.16 -M48x2-195mm Tube length
1	EF.201.LY	8137942	IVE	T.20 -M48x2-230mm Tube length
2	423.142.001	4724488	IVE	T.9 -1 3/4-138mm Tube length
2	423.142.004	42055987	IVE	T.9 -1 3/4-187mm Tube length
2	423.143.001	4724489	IVE	T.12-1 3/4-138 mm Tube length
2	423.143.004	42050617	IVE	T.12 -1 3/4-187mm Tube length
2	EF.90.YE	655834	DEN	T.9 -M48x2-138mm Tube length
2	423.142.000	4835036	IVE	T.9 -M48x2-138mm Tube length

FLANGE-MOUNTED FOR WEDGE BRAKES WABCO- BOSCH



NUMBER	OEM N°	OEM	REMARKS
0.482.023.408	003.420.19.24	DAI	T.12
0.482.023.504	001.420.21.24	DAI	T.14
0.482.023.708	003.420.27.24	DAI	T.16
0.482.026.806	003.420.36.24	DAI	T.20
423.071.000	673.420.05.24	DAI	T.12
423.042.000	673.420.08.24	DAI	T.14
423.072.000	673.420.11.24	DAI	T.16
423.074.000	673.420.11.24	DAI	T.20

STUD-MOUNTING FOR DISC BRAKES



	NUMBER	OEM N°	OEM	TYPE	ROD	PIPE THREAD	STROKE
1	BS.3300	05.444.32.01.0	BPW	T.16	15mm	M16	57
1	BS.3528	81.51101.6424	MAN	T.24	26mm	M22	75
1	BS.3532	41031961	IVE	T.24	15mm	M16	64
1	BS.3255	41226792	ROR	T.14	15mm	M16	64
1	423.114.710	0544430010	BPW	T.14	15mm	M16	57
1	423.104.020	81.51101.6371	MAN	T.16	15mm	M16	57
1	423.104.700	81.51101.6372	MAN	T.16	26mm	M16	75
1	423.104.710	005.420.52.24	DAI	T.16	15mm	M16	57
1	423.104.711	81.51101.6423	MAN	T.16	20mm	M22	75
1	423.112.710	0544433010	BPW	T.18	15mm	M16	64
1	423.505.010	20376406	VOL	T.18	15mm	M16	57
1	423.105.020	81.51101.6384	MAN	T.20	15mm	M16	57
1	423.105.700	81.51101.6376	MAN	T.20	20mm	M22	75
1	423.105.701	81.51101.6377	MAN	T.20	20mm	M22	75
1	423.505.000	05.444.34.01.0	BPW	T.20	15mm	M16	64
1	423.505.020	1373677	DAF	T.20	15mm	M16	57
1	423.505.021	1373678	DAF	T.20	15mm	M16	57
1	423.110.710	20376398	VOL	T.22	15mm	M16	64
1	423.106.700	81.51101.6434	MAN	T.24	20mm	M22	75
1	423.106.701	81.51101.6434	MAN	T.24	20mm	M22	75
1	423.506.001	0544436010	BPW	T.24	15mm	M16	64
1	423.509.020	20512414	VOL	T.27	15mm	M16	64
1	423.507.000	1516161	SCA	T.30	15mm	M16	65
2	BS.3411	0005.420.65.24	DAI	T.20	15mm	M22V	64
2	BS.3412	005.420.66.24	DAI	T.20	15mm	M22V	64
2	BS.3252	005.420.57.24	DAI	T.14	15mm	M22V	57
2	BS.3253	005.420.58.24	DAI	T.14	15mm	M22V	57
2	423.514.001	17.420.80.18	DAI	T.14	15mm	M22V	57
2	423.514.002	17.420.81.18	DAI	T.14	15mm	M22V	57
3	1622702	5001848364	RVI	T.20	15mm	M16	64
4	1622704	5001858021	RVI	T.20	15mm	M16	64
5	1622705	5001858020	RVI	T.20	15mm	M16	64
6	1622703	5010393348	RVI / IRISBUS	T.20	15mm	M16	64



STUD - MOUNTING UNIVERSAL 'S' CAM



N°	NUMBER	OEM N°	OEM	REMARKS	REPAIR KITS N°
1	423.008.917	637204840	VHO	T.36 - 180mm rod	TSK.3.36B.76
1	423.102.900	1505937	DAF	T.9 - 180mm rod	TSK.3.9B.50
1	423.103.900	8.285.044.000	EVO	T.12 - 180mm rod	TSK.3.12B.50
1	423.104.900	05.444.13.01.0	BPW	T.16 - 180mm rod	TSK.3.16B.76
1	423.105.900	002.420.65.18	DAI	T.20 - 180mm rod	TSK.3.20B.76
2	423.106.900	5000809565	RVI	T.24 - 180mm rod	TSK.3.24B.76
2	423.107.900	M020272-03	FRU	T.30 - 186mm rod	TSK.3.30B.76
2	423.109.UNI	-	-	T.27 - 186mm rod	TSK.3.27B.64
2	423.114.UNI	-	-	T.14 - 186mm rod	-



STUD - MOUNTING 'S' CAM



N°	NUMBER	OEM N°	OEM	REMARKS	REPAIR KTIS N°
1	423.104.606	007.420.31.18	DAI	T.16 - 37mm rod	TSK.3.16B.57
1	423.105.111	81.511.016.196	MAN	T.20 - 37mm rod	TSK.3.20B.57
1	423.105.408	671.420.00.24	DAI	T.20 - 37mm rod	TSK.3.20B.57
1	423.105.409	671.420.01.24	DAI	T.20 - 37mm rod	TSK.3.20B.57
1	423.106.106	007.420.98.18	DAI	T.24 - 37mm rod	TSK.3.24B.57
1	423.107.404	011.420.57.18	DAI	T.30 - 37mm rod	TSK.3.30B.76
1	423.109.002	003.420.69.24	DAI	T.27 - 54mm rod	TSK.3.27B.64
1	423.109.001	003.420.16.24	DAI	T.27 - 37mm rod	TSK.3.27B.64
2	423.105.451	1313761	SCA	T.20 - 187mm rod	TSK.3.20B.76
2	423.106.081	1333153	SCA	T.24 - 176mm rod	TSK.3.24B.76
2	423.106.098	002.420.51.24	DAI	T.24 - 185mm rod	TSK.3.24B.76
2	423.106.135	1302944	DAF	T.24 - 230mm rod	TSK.3.24B.76
2	423.106.136	1302945	DAF	T.24 - 230mm rod	TSK.3.24B.76
2	423.106.406	001.420.42.24	DAI	T.24 - 445mm rod	TSK.3.24B.57
2	423.106.407	001.420.41.24	DAI	T.24 - 465mm rod	TSK.3.24B.57
2	423.106.408	001.420.43.24	DAI	T.24 - 485mm rod	TSK.3.24B.57
1	423.114.000	007.420.26.18	DAI	T.14 - 37mm rod	-
3	423.205.101	81.511.016.112	MAN	T.20 - 37mm rod	TSK.3.20B.57
3	423.206.101	81.511.016.136	MAN	T.20 - 37mm rod	TSK.3.20B.57
3	423.206.700	81.511.016.115	MAN	T.20 - 37mm rod	TSK.3.20B.57
3	423.206.701	5000465439	RVI	T.20 - 37mm rod	TSK.3.20B.57
4	423.105.414	1518640	DAF	T.20 - 37mm rod	TSK.3.20B.57
4	423.105.417	005.420.92.24	DAI	T.20 - 96mm rod	TSK.3.20B.57
4	423.105.703	007.420.84.18	DAI	T.20 - 37mm rod	TSK.3.20B.57
4	423.106.409	001.420.36.24	DAI	T.24 - 54mm rod	TSK.3.24B.57
4	423.106.417	1505940	DAF	T.24 - 37mm rod	TSK.3.24B.57
4	423.106.450	1313844	SCA	T.24 - 40mm rod	TSK.3.24B.76
4	423.109.900	81.511.016.464	MAN	T.27 - 37mm rod	-
4	423.107.411	006.420.61.24	DAI	T.30 - 37mm rod	TSK.3.30B.76



DOUBLE DIAPHRAGM TYPES / STUD-MOUNTED FOR 'S' CAM



	NUMBER	OEM N°	OEM	REMARKS	REPAIR KIT N°
1	3416.097	-	-	T.16-24 STR.57	TSK.3.16B.57
1	3421.097	-	-	T.20-24 STR.64	TSK.3.20B.64
1	3426.097	-	-	T.24-24 STR.64	TSK.3.24B.64
1	3428.064	-	-	T.24-30 STR.64	TSK.3.24B.64
1	3428.097	-	-	T.24-30 STR.75	TSK.3.24B.76
1	3428.098	-	-	T.24-30 STR.75	TSK.3.24B.76
1	3431.075	-	-	T.30-30 STR.75	TSK.3.30B.76
1	3431.097	-	-	T.30-30 STR.64	TSK.3.30B.76
1	3432.097	-	-	T.30-36 STR.64	TSK.3.30B.64
1	3436.097	-	-	T.36-36 STR.75	TSK.3.36B.76
2	3220.047	-	-	T.20-30 STR.75	TSK.3.20B.76
3	3430.051	-	-	T.30-30 STR.64	TSK.3.30B.64
-	3624.052	-	-	T.24-30 STR.64	TSK.3.24B.64

DOUBLE DIAPHRAGM TYPES / STUD-MOUNTED FOR DISC BRAKES



	NUMBER	OEM N°	OEM	REMARKS	REPAIR KIT N°
1	30.56.000	3454107230	SAF	T.16-24 STR.57	TSK.3.16B.57
1	30.56.000	05.444.40.01.0	BPW	T.16-24STR.57	TSK.3.16B.57
1	30.58.000	05.444.44.01.0	BPW	T.20-24 STR.64	TSK.3.20B.64
1	30.59.000	05.444.46.01.0	BPW	T.24-24 STR.64	TSK.3.24B.64
1	30.54.100	021.420.52.18	DAI	T.14-30 STR.57	-
1	30.54.101	021.420.53.18	DAI	T.14-30 STR.57	-
1	30.55.000	CF104500	FRU	T.15-24 STR.57	-
2	3421.765	41225765	ROR	T.20-24 STR.64	TSK.3.20B.64
2	3426.763	41225763	ROR	T.24-24 STR.64	TSK.3.24B.64
2	3420.766	41225766	ROR	T.18-24 STR.64	-
2	3422.764	41225764	ROR	T.22-24 STR.64	-

ALUMINIUM BODIES BENDIX UK



N°	NUMBER	OEM N°	OEM	REMARKS	REPAIR KIT N°
1	KZ.1123.22	-	-	'K' type 24-80 3/8 NPT	BSK.38.3
1	KZ.1124.22	-	-	'K' type 30-98 3/8 NPT	BSK.39.4
1	KZ.1134.22	-	-	'K' type 24-80 M.22	BSK.38.3
1	KZ.1135.22	-	-	'K' type 30-98 M.22	BSK.39.4
2	KZ.1302.22	-	-	'K' type 24-105 M.22	BSK.38.3

ALUMINIUM BODIES MGM - USA



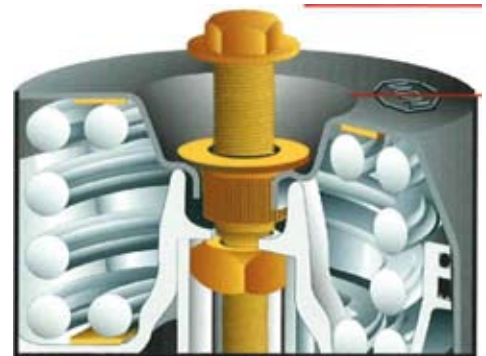
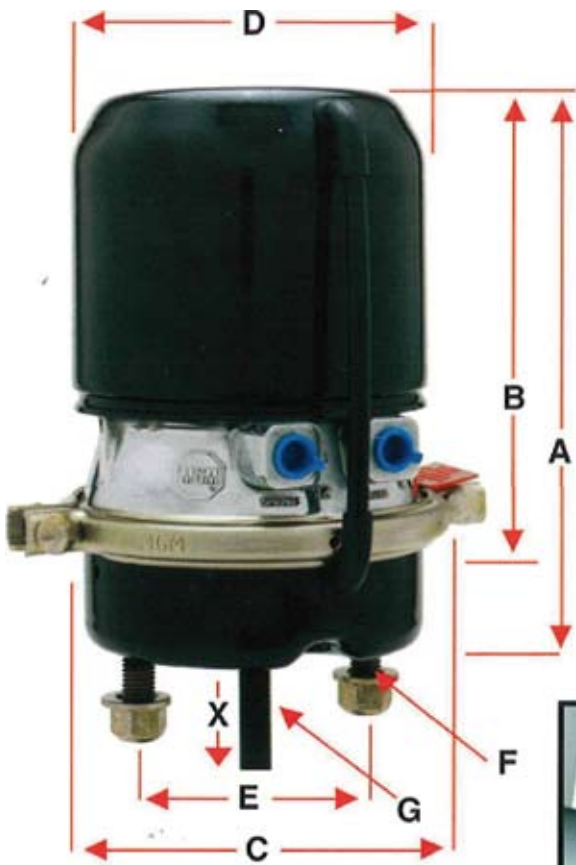
N°	NUMBER	OEM N°	OEM	REMARKS	REPAIR KIT N°
1	4120.549	1629036	VOL	'G' type 20-80 M.16	BSK.39.7.C
1	4124.549	8154234	VOL	'G' type 24-80 M.16	BSK.39.7.C
1	4128.549	1629512	VOL	'G' type 24-105 M.16	BSK.39.7.C
1	4131.549	3988980	VOL	'G' type 30-98 M.16	BSK.39.7.C
1	4431.549	-	-	'G' type 30-105 M.16	BSK.39.7.C
1	4036.149	171830	DAF	'B' type 36-30 M.16	BSK.39.B
2	4131.200	1608006	VOL	'G' type 30-98 M.16	BSK.39.7.C
3	4431.952	5010260645	RVI	'G' type 30-105 M.16	BSK.39.7.C
3	4431.953	5010260647	RVI	'G' type 30-105 M.16	BSK.39.7.C
4	4031.549	8120805	VOL	'B' type 30-98 M.16	BSK.39.B
4	4132.549	-	-	'G' type 30-98 M.22	BSK.39.7.C
5	4132.200	-	-	'G' type 30-98 M.22	BSK.39.7.C

ALUMINIUM BODIES SINGLES + PIGGYBACKS



N°	NUMBER	OEM N°	OEM	REMARKS	REPAIR KIT N°
1	4031.122	-	-	'B' type 30-30 M.22	BSK.39.B
1	4124.102	SCA	570534	'G' type 24-80 M.16	BSK.39.7C
2	4128.102	SCA	571771	'G' type 24-105 M.16	BSK.39.7C
1	4132.102	-	-	'G' type 30-98 M.22	BSK.39.7C
3	KY.1431.1	SCA	571750	'B' type 30-30 1/2 NPT	BSK.39.B

NEW  MGM MODEL MJ SERIES



Release Bolt

Patentee! "Dual Thread Bolt" design, an MGM Brakes exclusive, provides minimal bolt protrusion at maximum release.



« Roll In » Tamper Resistant Design

With the MGM Brakes' patented "Roll-In" Tamper Resistant design, the heavy gauge steel head is permanently "locked" to the rugged, non-corrosive alloy 360 aluminum center case to positively prevent inadvertent disassembly of the power spring housing.

MJS2424ET051 (model shown)

MODEL	M-JET	M-JET	M-JET	M- JET	M-JET	M-JET
SIZE	2424	3022*	3024	3028*	3030	3630
STROKE	76	76	76	76	76	76
PART NR	MJS2424ET549	MJS2424ET549	MJS2424ET549	MJS2424ET549	MJS2424ET549	MJS2424ET549
WT. COMB.	9.25	10.34	10.16	10.48	10.48	11.43
A	261.8	262.3	262.3	277.6	277.6	286.5
A1 **	31.5	28	28	22.1	22.1	22.3
B	201.7	201.7	201.7	217.4	217.4	217.4
C	187.5	211.3	211.3	211.3	211.3	238.7
D	121.7	121.7	121.7	190.5	190.5	190.5
E	120.65	120.65	120.65	120.65	120.65	120.65
F	M16 X 1.5					
G						
INLETS						
X (MIN.)	300					

* Units utilize lower parking force power spring for lower hold off pressure

** A1 Dimension represents minimal bolt protrusion at maximum release.


All dimensions shown are subject to design changes.



NEW  SPRING BRAKE 'MJS' RANGE



NUMBER	OEM N°	OEM	REMARKS
MJS1724ET049	571753	SCA	SB. T16/80 STR 75 METRIC
MJS2024ET549	1629036	VOL	SB. T20/80 STR 75 METRIC
MJS2424ET549	8154234	VOL	SB. T24/80 STR 75 METRIC
MJS2430ET549	1629512	VOL	SB. T24/105 STR 75 METRIC
MJS3028ET200	1608006	VOL	SB. T30/98 STR 75 METRIC L38 M16+5/8
MJS3028ET549	3988980	VOL	SB. T30/98 STR 75 METRIC
MJS3028ET951	-	BLUEBIRD BUS	SB. T30/98 STR 75 IMP
MJS3030ET152	5010260645	RVI	SB. T30/105 STR 75 RVI
MJS3030ET153	5010260647	RVI	SB. T30/105 STR 75 RVI
MJS3030ET549	-	-	SB. T30/105 STR 75 METRIC
MJS3628ET049	171830	DAF	SB. T36/98 STR 75 METRIC

NEW  SPRING BRAKE 'MJB' FOR DISC BRAKES



NUMBER	APPLICATION	OEM	REPLACES	
			MGM	MERITOR
MJB1724ET749	RVI MIDLUM	5001862853	MJB1724ET053	68324692
MJB2024ET702	IRISBUS ILLIADE	5010485493	MJB2024ET052	68323934
MJB2030ET702	RVI PREMIUM & MAGNUM	5001849404	MJB2030ET711	68323037
MJB2030ET703	RVI PREMIUM & MAGNUM	5001849403	MJB2030ET712	68326038
MJB2031ET702	RVI MAGNUM	-	MJB2031ET052	68323489
MJB2124ET702	RVI MAGNUM / VANHOOL	5010403132/ 10678526	MJB2124ET710	68322892



TUBE-MOUNTED FOR WEDGE BRAKES

WABCO



NUMBER	OEM N°	OEM	REMARKS	REPAIR KTIS N°
425.326.051	42072279	IVE	T.9/20 - 138mm Thread 1'3/4	WSK.10
425.326.052	42040209	IVE	T.9/20 - 187mm Thread 1'3/4	WSK.10
425.326.071	4464489	IVE	T.9/16 - 138mm Thread 1'3/4	WSK.10
425.327.052	42040217	IVE	T.12/20 - 250mm Thread 1'3/4	WSK.10
425.327.054	42040215	IVE	T.12/20 - 187mm Thread 1'3/4	WSK.10
425.346.002	42072538	IVE	T.12/24 - 187mm Thread 1'3/4	WSK.10
425.350.050	81.50410.6362	MAN	T.7/16 - 179mm Thread M48x1.5	WSK.49.5
425.352.050	81.50410.6375	MAN	T.9/16 - 179mm Thread M48x1.5	WSK.49.5
425.354.050	81.50410.6382	MAN	T.12/16 - 19mm Thread M48x1.5	WSK.49.5
425.330.101	5029125	LIE	T.18/16 - 238mm Thread M45x1.5	-
425.331.000	25641340	TER	T.24/24 - 194mm Thread M45x1.5	-
425.331.001	5029370	LIE	T.24/24 - 295mm Thread M45x1.5	-
425.331.003	5029502	LIE	T.24/24 - 247mm Thread M45x1.5	-
425.433.200	8189493	IVE	T.20/24 - 190mm Thread M48x2	-
BY.9205	98403027	IVE	T.12/20 - 180mm Thread M48x2	-
BY.9225	42052855	IVE	T.12/20 - 187mm Thread 1'3/4	-
BY.9270	ACHJ643	LEY	T.14/20 - 202mm Thread M48x2	-
BY.9350	92901332	IVE	T.18/24 - 190mm Thread M48x2	-
BY.9351	8169240	IVE	T.18/24 - 190mm Thread M48x2	-
BY.9401	8189489	IVE	T.20/24 - 190mm Thread M48x2	-
BY.9451	41006333	IVE	T.22/24 - 190mm Thread M48x2	-
BY.9500	8137768	IVE	T.24/24 - 190mm Thread M48x2	-
BY.9501	41015818	IVE	T.24/24 - 190mm Thread M48x2	-

FLANGE-MOUNTED FOR WEDGE BRAKES



N°	NUMBER	OEM N°	OEM	REMARKS	REPAIR KTIS N°
1	KZ.1286.1	6791937	VOL	T.15-62 M.16	-
1	KZ.1286.3	6791938	VOL	T.15-62 M.16	-
1	KZ.1290.3	5000451581	RVI	T.14-83 M.22	-
1	KZ.1290.4	5000451582	RVI	T.14-83 M.22	-
2	0.482.513.605	376198	DAF	T.16-80 M.16	-
2	0.482.513.606	009.420.28.18	DAI	T.16-80 M.22	-
2	0.482.513.607	010.420.11.18	DAI	T.16 80 M.22	-
2	0.482.513.802	004.420.07.24	DAI	T.20-80 M.22	-
2	0.482.513.803	007.420.08.24	DAI	T.20-80 M.22	-
2	425.352.000	003.420.19.24	DAI	T.9-16 M.22 VOSS	WSK.49.5
2	425.352.001	002.420.20.24	DAI	T.9-16 M.22 VOSS	WSK.49.5
2	425.353.000	673.420.34.24	DAI	T.10,5-16 M.22 VOSS	WSK.49.5
2	425.353.001	673.420.37.24	DAI	T.10,5-16 M.22 VOSS	WSK.49.5
2	425.354.000	673.420.38.24	DAI	T.12-16 M.22 VOSS	WSK.49.5
2	425.354.001	673.420.82.24	DAI	T.12-16 M.22 VOSS	WSK.49.5
2	425.356.000	009.420.28.18	DAI	T.16-24 M.22 VOSS	-
3	425.452.100	8112393	VOL	T.9-16 M.16	WSK.49.5
3	425.452.101	8112394	VOL	T.9-16 M.16	WSK.49.5
3	425.456.300	8112686	VOL	T.17-16 M.16	-
3	425.456.301	8112687	VOL	T.17-16 M.16	-
3	425.456.312	3953959	VOL	T.17-16 M.16	-
3	425.456.313	3953960	VOL	T.17-16 M.16	-
4	BY.7151	673.420.88.24	DAI	T.9-16 M.22 VOSS	-
4	BY.7152	673.420.89.24	DAI	T.9-16 M.22 VOSS	-
4	BY.9263	5010260679	RVI	T.14-24 M16	-
4	BY.9264	5010376211	RVI	T.14-24 M16	-



STUD-MOUNTED 'S' CAM - 'F' TYPE - WABCO



1



2

N°	NUMBER	OEM N°	OEM	REMARKS	REPAIR KTIS N°
1	925.305.118	MAN	81.50410.9142	T.12-12 'E'	WSK.49
1	925.305.130	DAI	006.420.22.18	T.12-12 'E'	WSK.49
1	925.305.140	DAI	006.420.23.18	T.12-12 'E'	WSK.49
2	925.320.080	DAF	377353	T.20-24 'F' - 85mm	WSK.48.1
2	925.320.139	MAN	81.50410.6279	T.20- 24 'F' - 300mm	WSK.48.1
2	925.320.250	RVI	5430032289	T.20- 24 'F' - 200mm	WSK.48.1
2	925.320.400	DAI	006.420.02.18	T.20-30 'F' - 300mm	WSK.47.1
2	925.320.406	DAI	009.420.19.18	T.20-30 'F' - 290mm	WSK.47.1
2	925.320.500	DAI	007.420.70.18	T.20-30 'F' - 300mm	WSK.47.1
2	925.320.501	DAI	007.420.55.18	T.20-30 'F' - 270mm	WSK.47.1
2	925.320.502	DAI	007.420.68.18	T.20-30 'F' - 30mm	WSK.47.1
2	925.320.505	DAI	009.420.73.18	T.20-30 'F' - 77mm	WSK.47.1
2	925.320.531	DAI	012.420.76.18	T.20-30 'F' - 60mm	WSK.47.1
2	925.320.543	DAI	012.420.77.18	T.20-30 'F' - 60mm	WSK.47.1
2	925.320.701	MAN	81.50410.9512	T.20-24 'F' - 75mm	WSK.48.1
2	925.320.702	MAN	81.50410.6353	T.20-24 'F' - 200mm	WSK.48.1
2	925.321.154	DAI	010.420.18.18	T.24-24 'F' - 37mm	WSK.48.1
2	925.321.160	DAI	008.420.23.18	T.24-24 'F' - 187mm	WSK.48.1
2	925.321.163	RVI	5000446230	T.24-24 'F' - 64mm	WSK.48.1
2	925.321.202	DAI	007.420.12.18	T.24-24 'F' - 290 mm M.22	WSK.48.1
2	925.321.203	DAI	007.420.13.18	T.24-24 'F' - 78mm M.22	WSK.48.1
2	925.321.292	DAI	006.420.28.18	T.24-24 'F' - 187mm Extra stroke	WSK.48.1
2	925.321.300	STE	79100360196	T.24-24 'F' - 270mm	WSK.48.1
2	925.321.341	EVO	8283988000	T.24-24 'F' - 220mm	WSK.48.1
2	925.321.405	RVI	5000877320	T.24-30 'F' - 300mm	WSK.47.1
2	925.322.081	MAN	81.50410.6499	T.30-30 'F' - 328mm	WSK.47.1
2	925.322.091	MAN	81.50410.6500	T.30-30 'F' - 328mm	WSK.47.1
2	925.322.102	DAF	1270262	T.30-30 'F' - 85mm	WSK.47.1

STUD-MOUNTED 'S' CAM - 'F' TYPE - WABCO



2

N°	NUMBER	OEM N°	OEM	REMARKS	REPAIR KTIS N°
2	925.322.112	DAF	646828	T.30-30 'F' - 85mm	WSK.47.1
2	925.322.130	DAF	282042	T.30-30 'F' - 85mm	WSK.47.1
2	925.322.132	DAF	374781	T.30-30 'F' - 50.8mm	WSK.47.1
2	925.322.155	RVI	5000787260	T.30-30 'F' - 300mm	WSK.47.1
2	925.322.205	DAI	010.420.31.18	T.30-30 'F' - 37mm	WSK.47.1
2	925.322.215	DAI	010.420.32.18	T.30-30 'F' - 37mm	WSK.47.1
2	925.322.216	DAI	010.420.00.18	T.30-30 'F' - 37mm	WSK.47.1
2	925.322.241	DAI	006.420.53.18	T.30-30 'F' - 77mm	WSK.47.1
2	925.322.250	DAI	007.420.16.18	T.30-30 'F' - 290mm	WSK.47.1
2	925.322.251	DAI	006.420.52.18	T.30-30 'F' - 77mm	WSK.47.1
2	925.322.423	DAI	010.420.03.18	T.30-30 'F' 187mm Extra heavy duty	WSK.47.1
2	925.322.424	VOL	1605860	T.30-30 'F' - 38mm	WSK.47.1
2	925.322.433	DAI	010.420.04.18	T.30-30 'F' 187mm Extra heavy duty	WSK.47.1
2	925.324.000	DAI	006.420.11.18	T.16-24 'F' 187mm Extra stroke	WSK.48.1
2	925.324.040	DAI	006.420.97.18	T.16-24 'F' 60mm	WSK.48.1
2	925.324.100	DAI	009.420.61.18	T.16-24 'F' 187mm	WSK.48.1
2	925.324.101	DAI	007.420.60.18	T.16-24 'F' 270mm	WSK.48.1
2	925.324.102	DAI	007.420.63.18	T.16-24 'F' 300mm	WSK.48.1
2	925.324.103	DAI	007.420.57.18	T.16-24 'F' 30mm	WSK.48.1
2	925.325.216	DAI	001.420.60.18	T.12-16 'F' 37mm	-
2	925.328.000	DAI	000.430.16.68	T.14-24 'F' 206mm	WSK.48.1
2	925.328.004	DAI	008.420.08.18	T.14-24 'F' 60mm	WSK.48.1
2	925.328.103	DAI	008.420.79.18	T.14-24 'F' 30mm	WSK.48.1
2	925.328.104	DAI	008.420.77.18	T.14-24 'F' 60mm	WSK.48.1
2	925.329.001	MAN	81.50410.6281	T.27-30 'F' 285mm	WSK.47.1
2	925.329.006	RVI	5010067835	T.27-30 'F' 300mm	WSK.47.1
2	925.329.104	DAF	556991	T.27-24 'F' 50.8mm	WSK.48.1
2	925.329.113	DAF	555929	T.27-24 'F' 50.8mm	WSK.48.1
2	925.329.170	DAI	011.420.72.18	T.27-24 'F' 37mm	WSK.48.1



STUD-MOUNTED 'S' CAM - 'G' TYPE - WABCO



NUMBER	OEM	OEM N°	REMARKS	REPAIR KITS
925.420.905	DAI	016.420.40.18	T.20-24 'G' 37mm M22 VOSS	WSK.48.1G
925.421.100	DAI	012.420.73.18	T.24-24 'G' 187mm M22 VOSS	WSK.48.1G
925.421.344	EVO	8285313000	T.24-24 'G' 120mm	WSK.48.1G
925.421.347	EVO	8285548000	T.24-24 'G' 220mm	WSK.48.1G
925.421.750	MAN	81.50410.6540	T.24-24 'G' 75mm M22	WSK.48.1G
925.421.751	MAN	81.50410.6551	T.24-24 'G' 200mm M22	WSK.48.1G
925.421.752	MAN	81.50410.6552	T.24-24 'G' 220mm M22	WSK.48.1G
925.421.901	DAI	016.420.41.18	T.24-24 'G' 37mm M22 VOSS	WSK.48.1G
925.422.903	DAI	016.420.43.18	T.30-30 'G' 37mm M22 VOSS	WSK.47.1G
925.424.100	DAI	012.420.00.18	T.24-24 'G' 187mm M22 VOSS	WSK.48.1G
925.424.105	DAI	011.420.99.18	T.24-24 'G' 187mm M22 VOSS	WSK.48.1G
925.429.002	DAF	1270272	T.27-30 'G' 85mm	WSK.47.1G
925.429.014	DAF	1519174	T.27-30 'G' 85mm	WSK.47.1G
925.429.160	DAI	011.420.71.18	T.27-24 'G' 37mm	WSK.48.1G
925.429.170	DAI	011.420.72.18	T.27-24 'G' 37mm	WSK.48.1G
925.430.006	SCA	1313829	T.20-24 'G' 70mm	WSK.48.1G
925.431.003	SCA	1313821	T.24-24 'G' 70mm	WSK.48.1G
925.431.033	SCA	1446042	T.24-24 'G' 70mm	WSK.48.1G
925.431.053	SCA	1313822	T.24-24 'G' 70mm	WSK.48.1G
925.431.081	VOL	3162238	T.24-24 'G' 58mm	WSK.48.1G
925.431.100	GOL	157898	T.24-24 'G' 200mm	WSK.48.1G
925.431.490	SCA	1506390	T.24-30 'G' 70mm	WSK.47.1G
925.432.100	SCA	1307390	T.30-30 'G' 70mm	WSK.47.1G
925.432.410	SCA	1353667	T.30-30 'G' 70mm	WSK.47.1G
925.439.404	RVI	5010260184	T.27-30 'G' 86mm	WSK.47.1G
925.439.405	RVI	5010260346	T.27-30 'G' 86mm	WSK.47.1G

STUD-MOUNTED 'S' CAM - UNIVERSAL 'F' TYPE - WABCO



NUMBER	ALTERNATIVE	REMARKS	REPAIR KTIS N°
890.110.356	890.111.356.00	T.14-24	WSK.48.1
890.110.369	890.111.369.00	T.27-30	WSK.47.1
890.110.328	890.111.328.00	T.20-20	-
890.110.347	890.111.347.00	T.16-24	WSK.48.1
890.110.348	890.111.348.00	T.20-24	WSK.48.1
890.110.349	890.111.349.00	T.20-30	WSK.47.1
890.110.350	890.111.350.00	T.24-24	WSK.48.1
890.110.351	890.111.351.00	T.24-30	WSK.47.1
890.110.352	890.111.352.00	T.30-24	WSK.48.1
890.110.353	890.111.353.00	T.30-30	WSK.47.1
890.110.354	890.111.354.00	T.36-30	WSK.47.1

STUD-MOUNTED 'S' CAM - UNIVERSAL 'G' TYPE - WABCO



1



2

	NUMBER*	OEM N°	OEM	ALTERNATIVE N°	REMARKS	REPAIR KITS N°
1	925.430.100	02.032.74.20.0	BPW	890.400.348	T.20-24 'G'	WSK.48.1G
1	925.431.100	AJZ8139	FRU	890.400.350	T.24-24 'G'	WSK.48.1G
1	925.432.200	164681	GOL	890.400.353	T.30-30 'G'	WSK.47.1G
1	925.432.300	1325349	DAF	890.400.352	T.30-24 'G'	WSK.48.1G
2	925.429.002	1270272	DAF	890.400.369	T27-30 'G' 85mm	WSK.47.1G
2	925.429.014	1506563	DAF	890.400.369	T27-30 'G' 85mm	WSK.47.1G
2	925.431.003	1313821	SCA	890.400.350	T24-24 'G' 70mm	WSK.48.1G
2	925.432.410	1353667	SCA	890.400.353	T30-30 'G' 70mm	WSK.47.1G

* Rationalised units with 300 mm universal push rod



STUD-MOUNTED FOR DISC BRAKES WABCO



NUMBER	OEM N°	OEM	REMARKS
925.466.100	015.420.14.18	DAI	T.12-16
925.466.100	015.420.14.18	DAI	T.12-16
925.466.011	1518163	DAF	T.12-24
925.466.010	015.420.55.18	DAI	T.12-24
925.426.300	5010422317	RVI	T.14-16
925.426.301	5010422318	RVI	T.14-16
925.468.250	0544438010	BPW	T.14-16
925.468.251	0544438020	BPW	T.14-16
925.468.012	015.420.57.18	DAI	T.14-24
925.468.013	015.420.58.18	DAI	T.14-24
925.464.452	02.0327.54.00	BPW	T.16-16
925.464.451	05.444.41.03.0	BPW	T.16-16
925.464.450	05.444.41.04.0	BPW	T.16-16
925.424.800	1505435	DAF	T.16-16
925.424.801	1518154	DAF	T.16-16
925.466.400	015.420.16.18	DAI	T.16-16
925.466.401	015.420.15.18	DAI	T.16-16
925.464.500	1505448	DAF	T.16-24
925.464.000	015.420.33.18	DAI	T.16-24
925.464.001	015.420.34.18	DAI	T.16-24
925.463.510	1505445	DAF	T.18-24
925.463.511	5010422953	RVI	T.18-24
925.460.001	015.420.44.18	DAI	T.20-24
925.460.010	015.420.75.18	DAI	T.20-24
925.460.102	02.327.56.00	BPW	T.20-24
925.460.101	02.327.67.00	BPW	T.20-24
925.467.020	20361823	VOL	T.22-24
925.461.010	015.420.97.18	DAI	T.24-24
925.461.000	1443314	DAF	T.24-24
925.461.023	81.50410.6713	MAN	T.24-24
925.461.101	20466070	VOL	T.24-24
925.461.025	-	MAN	T.24-24
925.461.027	-	MAN	T.24-24
925.461.320	1481536	SCA	T.24-30
925.461.480	20466074	VOL	T.24-30



STUD-MOUNTED FOR DISC BRAKES KNORR



	NUMBER	OEM N°	OEM	REMARKS
1	BS.9295	000.420.06.82	DAI	T.14-16
1	BS.9296	000.420.07.82	DAI	T.14-16
1	BS.9297	4454107030	SAF	T.14-16
1	BS.9390	017.420.91.18	DAI	T.16-16
1	BS.9397	017.420.92.18	DAI	T.16-16
1	BS.9304	4454104830	SAF	T.16-24
1	BS.9349	4454106330	SAF	T.18-16
1	BS.9404	02.0327.67.00	BPW	T.20-24
1	BS.9451	05444450100	BPW	T.22-24
2	BS.9507	020.420.46.18	DAI	T.24-130
2	BS.9514	020.420.45.18	DAI	T.24-130
3	BS.9510	1734994	SCA	T.24-14
1	BS.8504	4454105630	SAF	T.24-24 Stroke 57/57
1	BS.8516	M200024-02	SMB	T.24-24 Stroke 64/64
1	BS.9421	99474409	IVE	T.24-27
1	BS.9536	1460880	SCA	T.24-30

MISCELLANEOUS



N°	NUMBER	OEM N°	OEM	REMARKS	REPAIR KIT N°
1	0.482.071.008	000.431.21.14	DAI	Pull Type Ø 150	BOSK.7.1
1	0.482.074.003	88.504.106.001	MAN	Pull Type Ø 130	BOSK.7.2
2	4667.041S	5001500	VOL	Only single available as shown	LSK.1
3	AC.334.B	-	IVE	-	-
4	APGA.1512.4	-	VOL	T.30 4 STUD	CDSK.1.3
4	APGA.1512.5	1193099	VOL	T.30	CDSK.1.3
5	APGA.2531.10	692394	DAF	BEDFORD + LEYLAND as shown	-
5	APGA.2529	644484	DAF	DAF	-
5	APGA.2537	1518293	DAF	-	-
6	B.312987	5516016088	RVI	6 inch	BSK.8.1
6	B.317943	5516016089	RVI	5 inch	BSK.8
7	BZ.6517	81.504.109.117	MAN	Ø 115 service brake	KSK.11.2
7	BZ.6621	81.504.109.118	MAN	Ø 125 service brake	KSK.11.1
7	BZ.6425	81.504.106.118	MAN	Ø 100 service brake	KSK.11.4
8	KZ.1244.1	81DB2K724EJ	FOR	Type 95	-
8	KZ.1244.3	81DB2K2YAK	FOR	Type 95	-
9	KZ.1254.1	87DB2K724AA	FOR	-	-
10	1186754	4842679	IVE	-	-
10	1189458	002.431.04.14	DAI	-	-
10	1186753	4242678	IVE	-	-
10	1189449	002.431.03.14	DAI	-	-
10	KZ.1174.1	6778183	VOL	-	-
10	KZ.1174.2	6777920	VOL	-	-
10	1188823	6795988	VOL	-	-
11	R1.PH75	-	-	GUSTIN BACON	-
12	164.128.940.80	712215	RVI	-	WSK.72
12	723.663.990.80	25141144	RVI	-	-
12	723.407.970.80	25141141	RVI	-	WSK.72
13	425.362.002	ACHA937	LEYLAND	-	-

REPAIR KIT ALPHA NUMERICAL INDEX

TT PART N°	ORIGINAL KIT N°	MAKER	DESCRIPTION	APPLICATION
BOSK.7.1	1.487.010.188	BOSCH	R/KIT 0.482.071...	0.482.071.008 / 011
BOSK.7.2	-	BOSCH	R/KIT 0.482.074	0.482.074
BOSK.47	1.487.010.063	BOSCH	R/KIT T.30 SPRING PART ONLY	0.482.512 -TYPE 30
BOSK.48	1.487.010.117	BOSCH	R/KIT T.24 SPRING PART ONLY	0.482.512 - TYPE 24
BOSK.49	1.487.010.128	BOSCH	R/KIT T.12/16 SPRING BRAKE	0.482.513.3..series / 4... series
BSK.8	B.325482	DBA	R/KIT DBA 5"	DBA 5 inch
BSK.8.1	B.325483	DBA	R/KIT DBA 6"	DBA 6 inch
BSK.38	SK.2654.1	BENDIX	R/KIT MGM T.24	MGM T.24 'B' MINOR KIT
BSK.38.3	SK.2864.3	BENDIX	R/KIT TYPE 24 "K"- SPR ONLY	KZ.1123 / 1133 / 1134 / 1166
BSK.39.4	SK.2875..PIGGY	BENDIX	R/KIT TYPE 30 "K" SPR PORTIO	KZ.1124 / 1135 / 1199
BSK.39.7	-	BENDIX	R/KIT 'G' TYPE MGM	MGM 'G' TYPE
BSK.39.7C	-	BENDIX	R/KIT 'G' TYPE MGM COMPLETE	MGM 'G' TYPE
BSK.39.B	105046	BENDIX	R/KIT T.30+36 (B TYPE)	MGM T.30/36 'B' MINOR KIT
BSK.39.12	-	BENDIX	KIT REDUCER M16-M12	Metric 16 mm to Metric 12 mm
BSK.39.14	-	BENDIX	KIT REDUCER M22-F1/4	Metric 22 mm to 1/4 inch Imperial
BSK.39.16	-	BENDIX	KIT REDUCER M22-F16	Metric 22 mm to Metric 16 mm
BSK.39.38	-	BENDIX	KIT REDUCER M22-F3/8	Metric 22 mm to 3/8 inch Imperial
CDSK.1.2	GA.29081	CLAYTON	R/KIT LONG-LIFE T.30	APGA.1949 / 1995
CDSK.1.3	GA.29133	CLAYTON	R/KIT (MAXIBRAKE T.24 + 30)	GUSTIN BACON T24&30
CDSK.1.3A	-	CLAYTON	R/KIT (MAXIBRAKE AEROQUIP)	APGA.15... / 25...
GSK.10	950.340.010	GRAU	R/KIT WEDGE BR.CYL. 90 mm	340.034....
KSK.10	1.84013	KNORR	R/KIT BY.72..	BY.720.. / BY.721..
KSK.11.1	1.55749	KNORR	R/KIT (125mm) BZ.6616/6621	BZ.6616 / 6621
KSK.11.2	1.69698	KNORR	R/KIT (115mm) BZ.6517	BZ.6507 / 6517
KSK.11.4	1.69697	KNORR	R/KIT (100mm)	BZ.6420
KSK.11.6	-	-	R/KIT	BZ.6422 / 6425
KSK.38	1.82622	KNORR	KIT T.24 SPRING PORTION ONLY	BZ.73... / 74... Series (T.24)
KSK.39	1.87237	KNORR	KIT T.30 SPRING PORTION ONLY	BZ.74... / 75... Series (T.30)
KSK.47	1.82045.0062	KNORR	FLANGE MOUNT SPR BRAKE	BY.7102 / 7109 / 7151 / 7152
LSK.1	-	LOKCHEED	LOCKHEED WEDGE BRAKE	4667.041 / 042 LOCKHEED
MSK.47.C	-	-	R/KIT FOR BFM.121/2.BK	BFM.121/2.BK
WSK.10	425.326.003.2	WABCO	425.326/327	425.326. / 327..
WSK.47.1	925.320.002.2	WABCO	T TRISTOP "F" T.30 REAR ONLY	925.320 / 322 / 323
WSK.47.1G	925.432.001.2	WABCO	R/KIT "T.30.G" REAR ONLY	925.421. / 422. / 429. / 432
WSK.47.5	925.322.005.2	WABCO	R/KIT "F"30 FRONT ONLY	925.322.015 / 025 / 102 / 112
WSK.48	925.300.001.2	WABCO	R/KIT TRISTOP 24 "E" REAR ONLY	925.301 / 304 / 321 / 324
WSK.48.1	-	-	R/KIT TRISTOP 24 "F" REAR ONLY	925.321. / 324
WSK.48.1G	925.430.001.2	WABCO	R/KIT "T.24.G" REAR ONLY	925.421... / 422.. / 432..
WSK.48.3	925.328.001.2	WABCO	FRONT END KIT T.14/24 SHORT	925.328.FRONT ONLY
WSK.48.4	925.324.000.2	WABCO	R/KIT TRISTOP 'F' FRONT T16	925.324 FRONT ONLY
WSK.49	925.305.001.2	WABCO	R/KIT T.12 "E" REAR ONLY	925.304.. / 305..
WSK.49.1	925.325.002.2	WABCO	R/KIT "F" 12 REAR ONLY	925.325.REAR ONLY
WSK.49.5	425.452.001.2	WABCO	R/KIT 425.352/452 STEEL BODY	425.352 / 354
WSK.72	720.078.000.8	WABCO	R/KIT LOCK ACTUATOR	164.128...



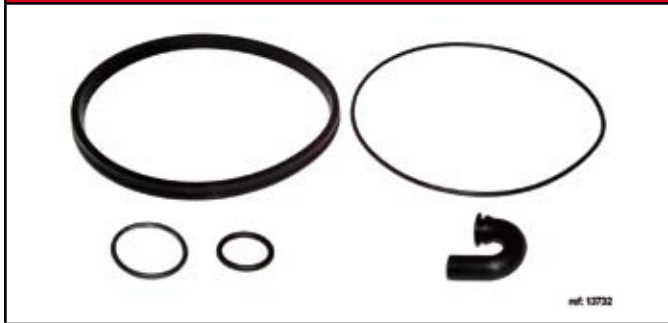
REPAIR KIT



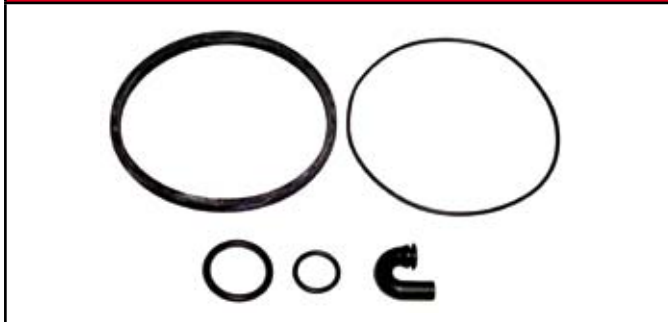
BOSK.7.1



BOSK.7.2



BOSK.47



BOSK.48



BOSK.49



BSK.8



BSK.8.1



BSK.38



BSK.38.3



BSK.39.4

REPAIR KIT



BSK.39.7



BSK.39.16



BSK.39.7C



BSK.39.38



BSK.39.B



CDSK.1.2



BSK.39.12



CDSK.1.3



BSK.39.14



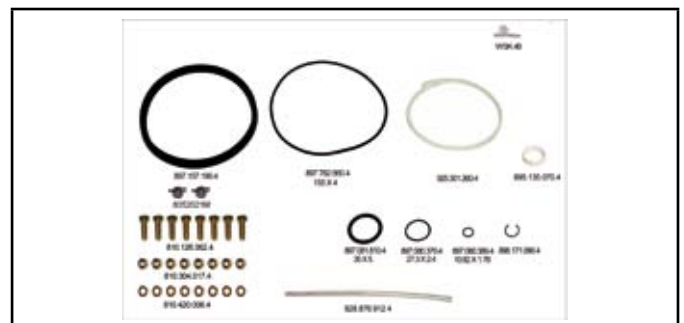
CDSK.1.3A



REPAIR KIT



MSK.47.C



WSK.48



WSK.10



WSK.48.1



WSK.47.1



WSK.48.1G



WSK.47.1G



WSK.48.3



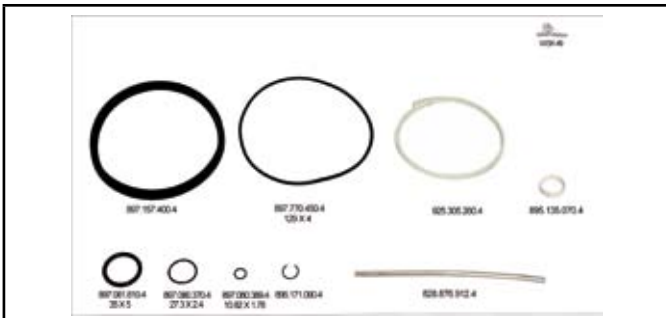
WSK.47.5



WSK.48.4



REPAIR KIT



WSK.49



WSK.49.5



WSK.72

MISCELLANEOUS



	NUMBER	OEM N°	OEM	KIT N°	SOFT KIT N°
1	0.500.004.201	5000791228	RVI	-	-
1	0.500.005.017	000.328.43.30	DAI	BOSK.3	-
1	0.500.005.018	000.328.44.30	DAI	BOSK.3	-
2	0.500.005.001	677279	SCANIA	BOSK.3	-
2	0.500.005.002	677280	SCANIA	BOSK.3	-
3	0.500.005.006	367838	VOLVO	BOSK.3	-
3	0.500.005.007	367839	DAF	BOSK.3	-
3	0.500.005.011	644521	DAF	BOSK.3	-
3	0.500.005.012	544520	DAF	BOSK.3	-
4	612.032.001	243113500	BPW	GSK.26	-
5	111.1730.000	-	-	-	-
5	111.1731.000	-	-	-	-
6	SV.1200	5000252313	RVI	KSK.29.1	-
6	SV.1202	8283298000	KAESSBOHRER	KSK.29.1	-
7	SV.1260	4712511	IVECO	KSK.29.2C	-
8	SV.1261	81.436.106.066	MAN	KSK.29.2C	-
8	SV.1269	000.328.28.30	D.BENZ	KSK.29.2C	-
8	SV.1296	5000788783	RVI	KSK.29.1	-
8	SV.1304	000.328.36.30	D.BENZ	KSK.29.2C	-
9	SV.1280	5000787083	RVI	KSK.29.2C	-
9	SV.1281	000.328.33.30	DAI	KSK.29.2C	-
9	SV.1298	5000787249	RVI	KSK.29.2C	-
9	SV.1329	287625	DAF	KSK.29.2C	-
9	SV.1343	6780384	VOLVO	KSK.29.2C	-
10	SV.1287	81.436.106.025	MAN	KSK.29.2C	-
10	SV.1303	322368	SCANIA	KSK.29.2C	-
10	SV.1318	8285086000	KAESSBOHRER	KSK.29.2C	-
10	SV.1330	287624	DAF	KSK.29.2C	-
10	SV.1378	81.436.106.104	MAN	KSK.29.2C	-
10	SV.1465	-	-	KSK.29.2C	-
10	SV.1426	8189440	IVECO	KSK.29.2C	-
11	SV.1288	81.436.106.052	MAN	KSK.29.2C	-
12	SV.1290	81.436.106.057	MAN	KSK.29.1	-



MISCELLANEOUS



13



14



15



16



17



18



19



20



21



22

	NUMBER	OEM N°	OEM	KIT N°	SOFT KIT N°
13	SV.1294	81.436.106.079	MAN	KSK.29.2C	-
13	SV.1310	8285011000	SETRA	KSK.29.2C	-
13	SV.1321	KBSV 1321 ATR	ERF	KSK.29.2C	-
13	SV.1323	523852	SCANIA	KSK.29.2C	-
13	SV.1399	3036549	VOLVO	KSK.29.1	-
14	SV.1295	8030222	VOLVO	KSK.29.1	-
14	SV.1307	412373	ERF	KSK.29.1	-
14	SV.1361	82850008	KAESSBOHRER	KSK.29.2C	-
14	SV.1376	5010019987	RVI	KSK.29.2C	-
14	SV.1395	81.436.106.117	MAN	KSK.29.2C	-
14	SV.1412	3036548	VOLVO	KSK.29.2C	-
15	SV.1325	81.436.106.081	MAN	KSK.29.2C	-
15	SV.1410	CF352131	FRUEHAUF	KSK.29.1	-
15	SV.1418	-	-	KSK.29.2C	-
15	SV.1425	8189439	IVECO	KSK.29.2C	-
15	SV.1440	-	-	KSK.29.2C	-
15	SV.1441	413209	ERF	KSK.29.2C	-
15	SV.1466	-	-	KSK.29.2C	-
16	SV.1328	523851	SCANIA	KSK.29.2C	-
17	SV.1345	81.436.106.090	MAN	KSK.29.2C	-
18	SV.1350	81.436.106.092	MAN	KSK.29.2C	-
18	SV.1351	651509	DEN	KSK.29.2C	-
19	SV.1369	81.436.106.101	MAN	KSK.29.2C	-
19	SV.1370	81.436.106.100	MAN	KSK.29.2C	-
20	SV.1371	88.436.106.009	MAN	KSK.29.2C	-
20	SV.1380	5000787249	RVI	KSK.29.2C	-
20	SV.1381	5000787250	RVI	KSK.29.2C	-
21	464.002.312	000.327.50.25	D.BENZ	WSK.26	WSK.26.1
21	464.002.532	81.436.106.079	MAN	WSK.26	WSK.26.1
21	464.002.532	1001467	PEGASO	WSK.26	WSK.26.1
22	464.002.330	699300	PEGASO	WSK.26	WSK.26.1
22	464.002.332	000.327.50.25	DAI	WSK.26	WSK.26.1
22	464.002.360	5000252313	RVI	WSK.26	WSK.26.1

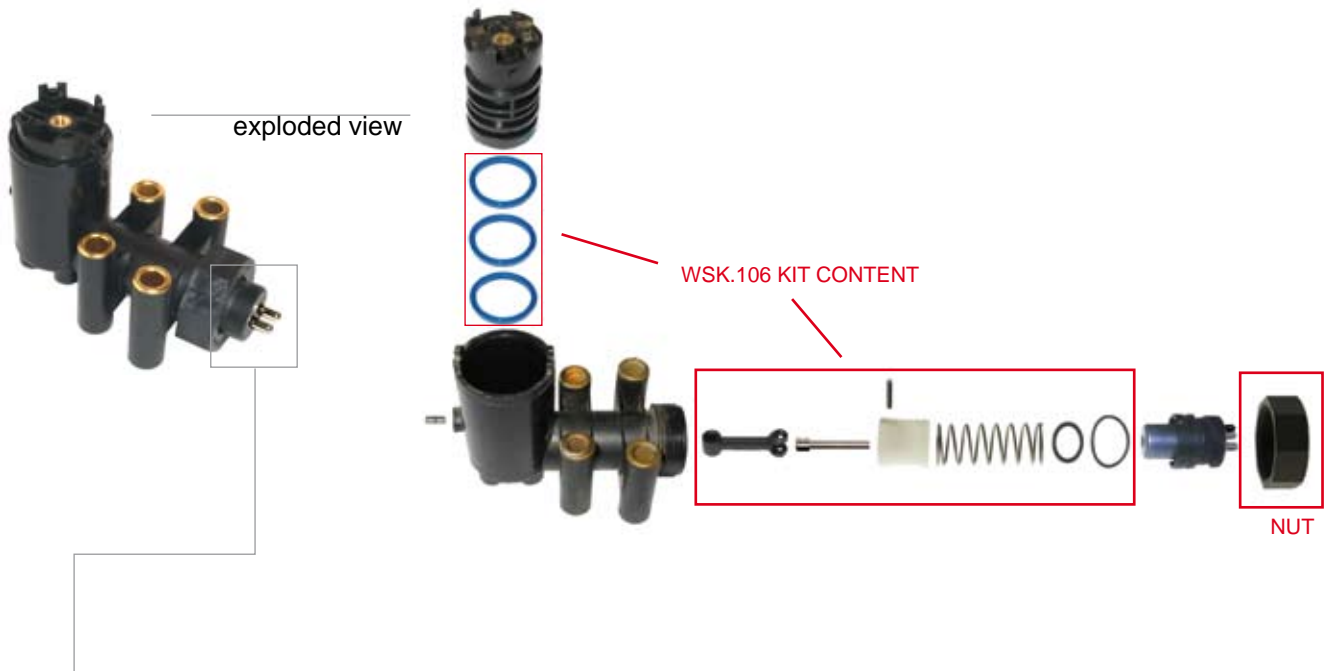
MISCELLANEOUS



	NUMBER	OEM N°	OEM	KIT N°	SOFT KIT N°
23	464.004.000	4675513	IVECO	WSK.26.4	-
24	464.006.000	1607728	VOLVO	WSK.26.3	WSK.26.1
24	464.006.001	4853325	IVECO	WSK.26.3	WSK.26.1
25	464.006.002	243109200	BPW	WSK.26.3	WSK.26.1
26	464.006.100	243113500	BPW	WSK.26.3	WSK.26.1
27	464.007.001	81.436.106.129	MAN	WSK.26.6	SWSK.26.6
27	464.007.013	1341990	DAF	WSK.26.8	SWSK.26.6
27	464.007.014	5010268932	RVI	WSK.26.8	SWSK.26.6
27	464.007.017	-	-	WSK.26.7	SWSK.26.6
27	464.007.021	1600469	DAF	WSK.26.7	SWSK.26.6
27	464.007.023	5010136105	RVI	WSK.26.7	SWSK.26.6
28	464.007.006	5010260390	RVI	WSK.26.7	SWSK.26.6
28	464.007.008	5010260060	RVI	WSK.26.7	SWSK.26.6
28	464.007.015	5010260638	RVI	-	SWSK.26.6
28	464.007.016	5010260639	RVI	-	SWSK.26.6
29	464.007.002	5021170190	RVI	WSK.26.7	SWSK.26.6
29	464.007.003	20531967	VOLVO	WSK.26.7	SWSK.26.6
29	464.007.019	20410492	VOLVO	WSK.26.7	SWSK.26.6
30	464.007.007	5010260136	RVI	WSK.26.7	SWSK.26.6
30	464.007.010	1399776	SCANIA	WSK.26.8	SWSK.26.6
30	464.007.011	000.328.45.30	DAI	WSK.26.7	SWSK.26.6
31	900.54.007	1118884	SCANIA	TSK.29	-
32	90554663	1407139	SCANIA	-	-



441.050 SERIES



Connectors



NUMBER	VIEW	CONNECTOR	OEM	NUT	OEM PART N°	KIT N°
441.050.006	A	441.100.714.2 - Bayonet MAN / DAF	DAF	891.502.890.4	0099800	WSK.106
441.050.008	B	441.100.715.2 - M24x1	RVI	891.502.859.4	5021170128	WSK.106
441.050.008	B	441.100.715.2 - M24x1	MAN	891.502.859.4	81.259.370.014	WSK.106
441.050.010	C	441.100.533.2 - M27x1	NEO	891.502.890.4	102140000	WSK.106
441.050.011	D	441.100.532.2 + Bayonet DIN 72585	DAI	891.503.056.4	000.542.40.18 000.542.40.80	WSK.106
441.050.011	D	441.100.532.2 + Bayonet DIN 72585	DAF	891.503.056.4	1305844	WSK.106
441.050.011	D	441.100.532.2 + Bayonet DIN 72585	SCA	891.503.056.4	1379941 1398840	WSK.106
441.050.011	D	441.100.532.2 + Bayonet DIN 72585	MAN	891.503.056.4	81.259.370.016	WSK.106
441.050.011	D	441.100.532.2 + Bayonet DIN 72585	IVE	891.503.056.4	98.472.878	WSK.106
441.050.013	E	441.100.534.2 - Bayonet DIN 72585	RVI	891.503.056.4	5010260969	WSK.106
441.050.012	E	441.100.534.2 - Bayonet DIN 72585	DAI	891.503.056.4	000.542.40.18	WSK.106
441.050.012	E	441.100.534.2 - Bayonet DIN 72585	MAN	891.503.056.4	81.25937.0023	WSK.106
441.050.012	E	441.100.534.2 Bayonet DIN 72585	DAF	891.503.056.4	1276055 1261591 61841 1261839	WSK.106

NOTE : 441.050.003.0 is replaced by 441.050.008

WABCO



1



2

	NUMBER	OEM N°	OEM	KIT N°	SOFT KIT N°
1	441.050.100	WABCO	5010422344	RVI	-
1	441.050.101	WABCO	1495828	SCA	-
2	441.050.120	WABCO	002.542.67.18	DAI	-
2	441.050.121	WABCO	003.542.26.18	DAI	-
2	441.050.122	WABCO	1448082	SCA	-
2	441.050.123	WABCO	81.25937.0040	MAN	-



EBS AXLE MODULATOR - 1 CHANNEL



	NUMBER	OEM N°	OEM	KIT N°	SOFT KIT N°
1	0.486.203.009	BOSCH	1423910	SCA	BOSK.58.3
1	0.486.203.010	BOSCH	1360991	SCA	BOSK.58.3
2	0.486.203.026	BOSCH	1405606	SCA	BOSK.58.3
2	0.486.203.024	BOSCH	3197773	VOL	BOSK.58.3
2	0.486.203.023	BOSCH	81.52106.6013	MAN	BOSK.58.3
3	0.486.203.031	BOSCH	5010457557	RVI	BOSK.58.3
3	0.486.203.033	BOSCH	20374944	VOL	BOSK.58.3
3	0.486.203.034	BOSCH	5010457556	RVI	BOSK.58.3
4	K.000085	KNORR	1442935	SCA	-
4	K.000913	KNORR	81.52103.6016	MAN	-
4	K.000914	KNORR	20570906	VOL	-



EBS AXLE MODULATOR - 2 CHANNELS



1



2



3



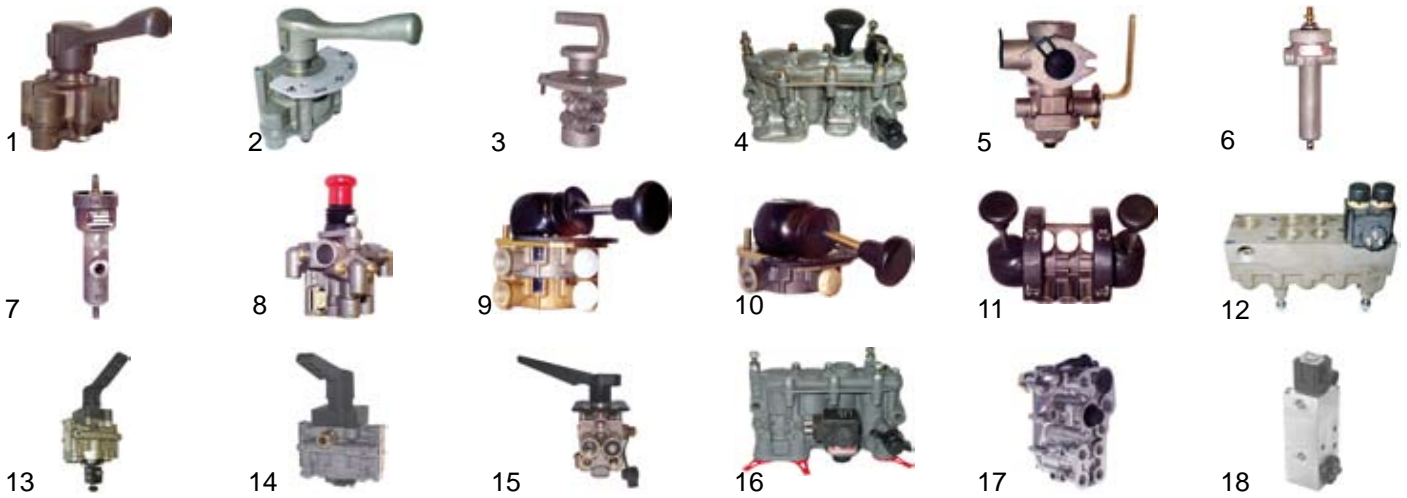
4



	NUMBER	OEM N°	OEM	KIT N°	SOFT KIT N°
1	480.103.011	WABCO	000.429.15.24	DAI	-
1	480.103.012	WABCO	000.429.16.24	DAI	-
1	480.103.016	WABCO	000.429.20.24	DAI	-
1	480.103.022	WABCO	41032231	IVE	-
1	480.103.024	WABCO	41211004	IVE	-
1	480.103.041	WABCO	1315690	DAF	-
2	480.103.043	WABCO	1315705	DAF	-
2	0.486.204.001	BOSCH	5010344186	RVI	BOSK.58.2
2	0.486.204.002	BOSCH	5010457147	RVI	BOSK.58.2
2	0.486.204.004	BOSCH	1412239	SCA	BOSK.58.2
2	0.486.204.010	BOSCH	31977776	VOL	BOSK.58.2
2	0.486.204.016	BOSCH	20374945	VOL	BOSK.58.2
2	0.486.204.017	BOSCH	81.52106.6014	MAN	BOSK.58.2
2	0.486.204.018	BOSCH	20542735	VOL	BOSK.58.2
3	0.486.204.020	BOSCH	1499802	SCA	BOSK.58.2
3	0.486.204.023	BOSCH	5010457558	RVI	BOSK.58.2
3	0.486.204.025	BOSCH	-	VOL	BOSK.58.2
4	K.000086	KNORR	1497202	SCA	-
4	K.000921	KNORR	81.52106.6017	MAN	-
4	K.000922	KNORR	20428939	VOL	-



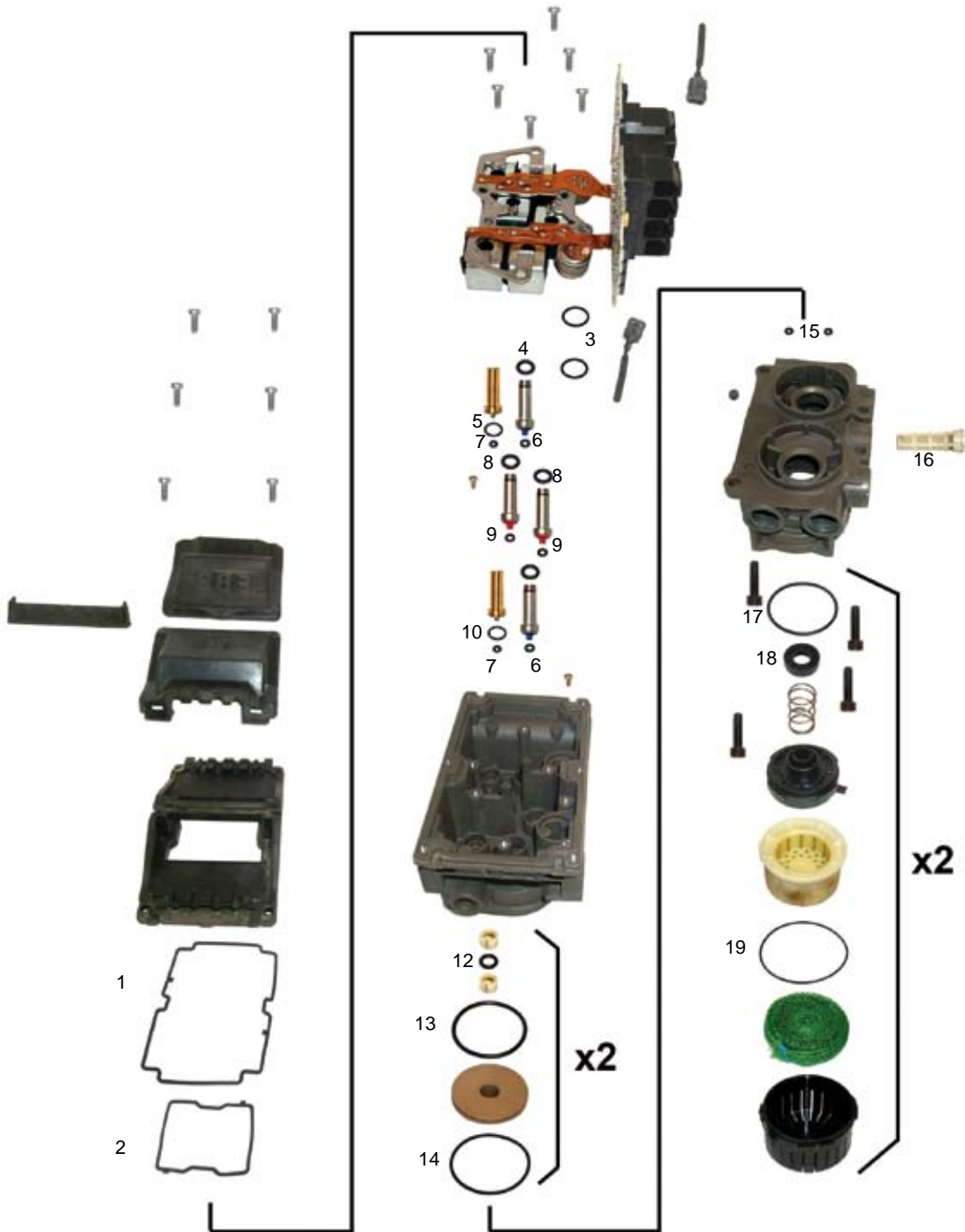
MISCELLANEOUS



	NUMBER	OEM N°	OEM	KIT N°
1	463.032.020	000.327.51.25	DAI	WSK.22.A
1	463.032.022	5000791019	RVI	WSK.22.A
2	463.032.120	1518082	DAF	WSK.22.4C
2	463.032.130	1518848	DAF	WSK.22.4C
3	463.074.000	243109500	BPW	-
4	463.084.001	M058229	FRU	WSK.22.3
5	475.604.010	1271399	IVE	WSK.36
5	475.604.011	719702	DAF	WSK.36
5	475.604.013	164464	DAF	WSK.36
6	964.001.002	1591032	VOL	WSK.1.2
7	AE.1103	81.436.216.001	MAN	-
8	AE.1124	-	-	KSK.8
8	AE.1125	-	-	KSK.8
9	SV.3111	000.329.08.25	DAI	KSK.22.C
10	SV.3113	-	-	KSK.22.C
10	SV.3115	CF3512919	FRU	KSK.22.C
10	SV.3115	5000787082	RVI	KSK.22.C
10	SV.3128	ACHD525	LEYLAND	KSK.22.C
11	SV.3118	000.329.09.25	DAI	KSK.22.C
12	SV.3158	8136110	IVE	KSK.21
13	338.051.101	59849	SCH	GSK.22.1
13	338.054.001	CF352687	FRU	GSK.22.1
13	338.058.101	33905711	KOG	GSK.22.1
14	338.052.101	CF353056	FRU	GSK.22.1
14	338.053.001	-	-	GSK.22.1
15	SV.3240	-	-	-
16	463.084.010	-	-	WSK.22.3
16	463.084.011	MO58237	FRU	WSK.22.3
17	463.084.020	0243114300	BPW	WSK.22.3
17	463.084.021	867784	DAF	WSK.22.3
18	463.084.030	5820350	KRO	WSK.22.3
-	SV.3160	114211	SCH	-

17.20.001 EXPLODED VIEW - BOSCH

KNORR N°	OEM N°	OEM
0.486.204.004	1412239	SCA
0.486.204.020	1499802	SCA



REPAIR KITS	DESCRIPTION	ITEMS IN KIT
BOSK.58.2	EBS AXLE MODULATOR	1 TO 19



REPAIR KIT ALPHA NUMERICAL INDEX

TT PART N°	ORIGINAL KIT N°	MAKER	DESCRIPTION	APPLICATION
BOSK.3	1.507.010.007	BOSCH	R/KIT 0.500.005...	0.500.005 SERIES
BOSK.3.1	1.507.010.010	BOSCH	R/KIT LEVER MERCEDES	0.500.005.001 / 002
BOSK.3.2	1.507.010.012	BOSCH	R/KIT LEVER DAF	0.500.005.006 / 007
BOSK.3.3	0.500.100.006	BOSCH	CHECK VALVE (M.12 X M.14) X1	0.500.005..
BOSK.3.4	-	BOSCH	R/KIT CENTRE SHAFT REPLACEMENT	0.500.005...
BOSK.58.2	-	BOSCH	R/KIT EBS AXLE MODULATOR	0.486.204. ...
GSK.22.1	-	-	R/KIT SOLENOID	338.051... / 053 ...
GSK.22.2	-	-	R/KIT SOLENOID	338.051...
GSK.22.1L	950.338.027	GRAU	R/KIT LEVER	338.051... / 053 ... / 056
GSK.26	950.612.007	GRAU	R/KIT 612.032	612.032
GSK.27	-	GRAU	R/KIT FOR 612.035.021	612.035.021
KSK.21	1.92723/008	KNORR	R/KIT SV.3156	SV.3156 / 3158
KSK.22.C	-	KNORR	R/KIT SV.3111 (COMPLETE)	SV.3111
KSK.29.1	1.73908	KNORR	R/KIT SV.1289 - 93	SV.1289 / 1290 / 1291 / 1293
KSK.29.2C	1.99633/008	KNORR	R/KIT SV.12/13/14 UNIVERSAL	SV.12.. / 13.. / 14..
KSK.29.5	-	KNORR	R/KIT BOOT SV.12 + 13 + 14	SV.12.. / 13.. / 14..
KSK.8	SEB.22157	KNORR	R/KIT AE.1124 (C/W HANDLE)	AE.1124/1125
SWSK.26.6	-	KNORR	'SOFT' KIT 464.007...	464.007...
WSK.1.2	964.001.000.2	WABCO	R/KIT SUSPENSION CONTROL	964.001.002.0
WSK.22.3	-	WABCO	R/KIT FOR 463.084...	463.084...
WSK.22.4	-	WABCO	R/KIT FOR 463.032.120	463.032.120
WSK.22.4C	-	WABCO	R/KIT COMPL.463.032.120	463.032.120
WSK.22.A	463.032.001.2	WABCO	R/KIT 463.032...	463.032.020
WSK.26	-	WABCO	R/KIT 464.002. (MAJOR)	464.002.310 / 330 / 360 / 532
WSK.26.1	464.002.008.2	WABCO	R/KIT 464.002 (MINOR).	464.002.310 / 330 / 360 / 532
WSK.26.3	464.006.000.2	WABCO	R/KIT 464.006	464.006.000.0
WSK.26.4	464.004.000.2	WABCO	R/KIT 464.004	464.004.000.0
WSK.26.6	-	WABCO	R/KIT FOR 464.007...	464.007...
WSK.26.7	-	WABCO	R/KIT PLAST.BODY+CV+INSERT M6	464.007.001 / 006 / 008 / 015
WSK.26.8	-	WABCO	R/KIT PLAST.BODY+INSERT M6	464.007.009 / 013 / 014 / 018
WSK.64	464.002.730.2	WABCO	LEVER ASSY (6MM)	464.002 LEVER ASSY
WSK.70	475.800.002.2	WABCO	R/KIT LSV AUTO-STEER	475.800.200 / 300



BOSK.3



BOSK.3.1



REPAIR KIT



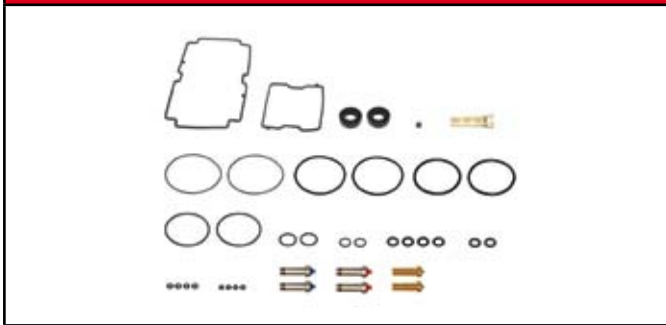
BOSK.3.2



BOSK.3.3



BOSK.3.4



BOSK.58.2



GSK.22.1



GSK.22.2



GSK.22.1L



GSK.26



GSK.27



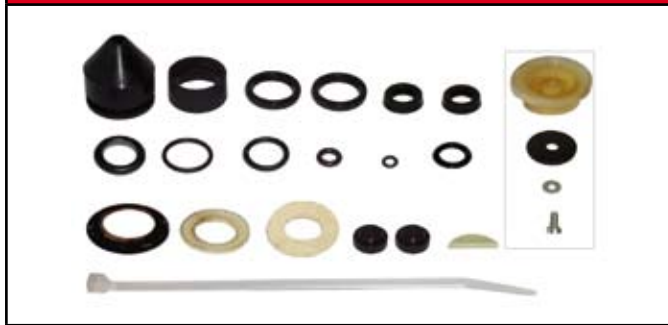
KSK.21



REPAIR KIT



KSK.22.C



KSK.29.1



KSK.29.2C



KSK.29.5



KSK.8



SWSK.26.6



WSK.1.2



WSK.22.3



WSK.22.4



WSK.22.4C

REPAIR KIT



WSK.22.A



WSK.26



WSK.26.1



WSK.26.3



WSK.26.4



WSK.26.6



WSK.26.7



WSK.26.8



WSK.64



WSK.70

OLD GENERATION & POPULAR N° BOSCH



BOSCH without Dump

NUMBER	OEM N°	OEM	REPAIR KIT
0.481.061.004	584765	VOL	BOSK.1.3
0.481.061.005	1577940	VOL	BOSK.1.3
0.481.061.020	589025	VOL	BOSK.1.6
0.481.061.023	590340	VOL	BOSK.1.6
0.481.061.025	330060	SCA	BOSK.1.4
0.481.061.019	81.52301.6120	MAN	BOSK.1.3



BOSCH with Dump

NUMBER	OEM N°	OEM	REPAIR KIT
0.481.061.205	649267	DAF	BOSK.1.3
0.481.061.209	1607887	VOL	BOSK.1.6/C
0.481.061.211	6779767	VOL	BOSK.1.6/C
0.481.061.213	001.431.66.05	DAI	BOSK.1.4
0.481.061.214	001.431.67.05	DAI	BOSK.1.4
0.481.061.215	002.431.01.05	DAI	BOSK.1.4
0.481.061.219	81.52301.6165	MAN	BOSK.1.6/C
0.481.061.225	42106881	IVE	BOSK.1.6/C
0.481.061.226	42106882	IVE	BOSK.1.6/C
0.481.061.228	81.52301.6164	MAN	BOSK.1.6/C
0.481.061.231	003.431.56.05	DAI	BOSK.1.4
0.481.061.233	1607887	VOL	BOSK.1.6/C
0.481.061.245	1229008	DAF	BOSK.1.6/C

OLD GENERATION & POPULAR N° KNORR



KNORR without Dump

NUMBER	OEM N°	OEM	REPAIR KIT
AB.2762	81.52301.6050	MAN	KSK.6
AB.2777	5000445467	RVI	KSK.6



KNORR with Dump

NUMBER	OEM N°	OEM	REPAIR KIT
AB.2783	81.52301.6154	MAN	KSK.6
AB.2793	5000787336	RVI	KSK.6
AB.2795	42000822	IVE	KSK.6
AB.2798	42065522	IVE	KSK.6
AB.2802	5010056221	RVI	KSK.6
AB.2810	5010046034	RVI	KSK.6
AB.2831	5010067382	RVI	KSK.6
AB.2835	81.52301.6173	MAN	KSK.6

OLD GENERATION & POPULAR N° - WABCO



WABCO without Dump

NUMBER	OEM N°	OEM	REPAIR KIT
973.002.000	82.52301.6000	MAN	WSK.58.1
973.002.022	04672021	IVE	WSK.58.1
973.002.402	293139 167846	SCA DAF	WSK.58.1
973.002.403	860153894	IVE	WSK.58.1
973.002.405	5516014905	RVI	WSK.58.1
973.002.406	81.52301.6047	MAN	WSK.58.1
973.002.418	001.431.75.05	DAIM	WSK.58.1
973.002.419	5000470493	RVI	WSK.58.1
973.002.423	3242194	SCA	WSK.58.1



WABCO with Dump

NUMBER	OEM N°	OEM	REPAIR KIT
973.002.500	001.431.68.05	DAIM	WSK.58.1
973.002.501	81.52301.6119	MAN	WSK.58.1
973.002.505	81.52301.3104	MAN	WSK.58.1
973.002.520	42000822	IVE	WSK.58.1
973.002.521	002.431.01.05	DAIM	WSK.58.1
973.002.522	649267	DAF	WSK.58.1
973.002.525	61605099	IVE	WSK.58.1
973.002.538	001.431.67.05	DAIM	WSK.58.1
973.002.539	42033548	IVE	WSK.58.1
973.002.620	654553	DAF	WSK.58.1

GENERAL



NUMBER	OEM N°	OEM	REPAIR KIT	
1	355.071.001	003.431.14.05	DAIMLER - BENZ	GSK.58
2	471.200.008	24653053	RVI	WSK.30.3
2	471.200.110	001.431.52.05	DAIMLER - BENZ	WSK.30.3
3	471.401.010	531355	DAF	WSK.30
4	480.204.001	1601034	DAF	WSK.58.8
4	480.204.001	1601034	DAF	WSK.58.8
5	973.008.005	92060	DAF	WSK.58.4
5	973.008.007	84268	DAF	WSK.58.4
6	973.009.001	1690391	VOLVO	WSK.58.5
6	973.009.006	81.523.016.189	MAN	WSK.58.5
6	973.009.010	1350096	SCANIA	WSK.58.5
7	973.009.100	1328188	SCANIA	WSK.58.5
7	973.009.120	489184	SCANIA	WSK.58.5
7	973.009.300	7005.416	FAUN	WSK.58.5C
8	110.0512.000	-	-	PDSK.5
9	110.0521.000	-	-	PDSK.5
10	0.481.057.002	81.52316.6006	MAN	-
11	0.481.061.003	81.52301.6021	MAN	-
12	AB.2840	003.431.35.05	DAIMLER - BENZ	KSK.6.2
12	AB.2851	5010260241	RVI	KSK.6.2
13	AC.591.A	42070559	IVECO	-
13	AC.590.A	4684437	IVE	MSK.11.1
14	AC.595.A	4771459	IVECO	MSK.11
14	AC.595.F	362424	SCANIA	MSK.11
15	AC.596.A	000.431.82.13	DAIMLER - BENZ	MSK.58.5



GENERAL



16



17



18



19

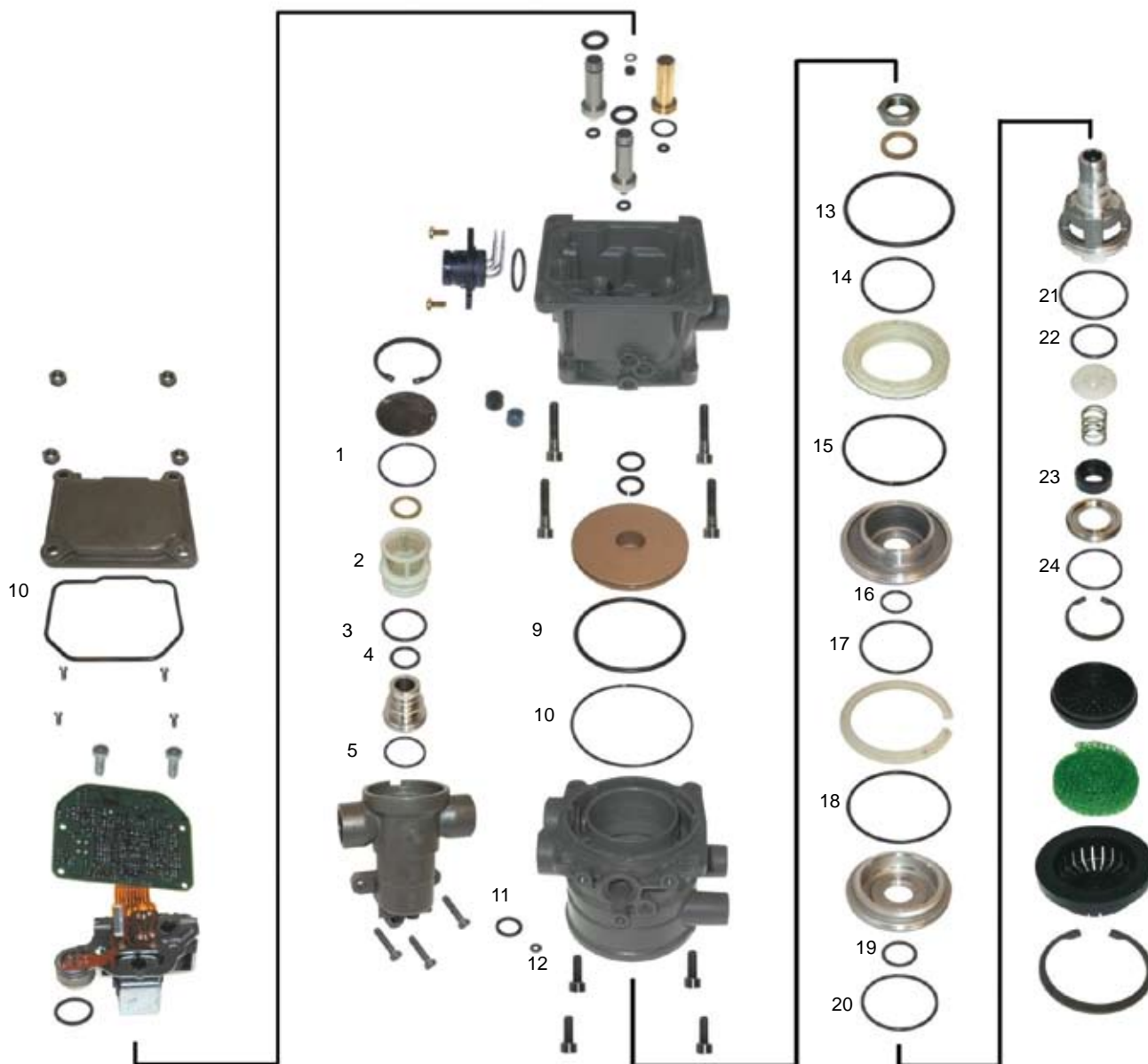


20

	NUMBER	OEM N°	OEM	REPAIR KIT
16	AC.597.A	331721	SCANIA	MSK.58.5
16	AC.597.B	41032553	IVE	MSK.58.5
16	AC.597.C	ABRA616	LEY	MSK.58.5
17	AC.598.A	5010260938	RVI	MSK.58.5
17	AC.598.B	5010260939	RVI	MSK.58.5
17	AC.598.C	5010260940	RVI	MSK.58.5
17	AC.599.A	1339396	DAF	MSK.58.5
18	480.204.000	4211417	IVE	WSK.58.10
18	480.204.002	000.431.87.13	DAI	WSK.58.8
18	480.204.003	000.431.00.13	DAI	WSK.58.8
19	0.486.205.001	1412238	SCA	BOSK.58.1
19	0.486.205.008	20374447	VOL	BOSK.58.1
19	0.486.205.011	81.52301.6202	MAN	BOSK.58.1
19	0.486.205.017	5010457619	RVI	BOSK.58.1
19	0.486.205.019	20456422	VOL	BOSK.58.1
19	0.486.205.022	81.52301.6206	MAN	BOSK.58.1
20	K.000917	81.52301.6207	MAN	-
	K.000918	20456402	VOL	-

17.14.002 EXPLODED VIEW - BOSCH

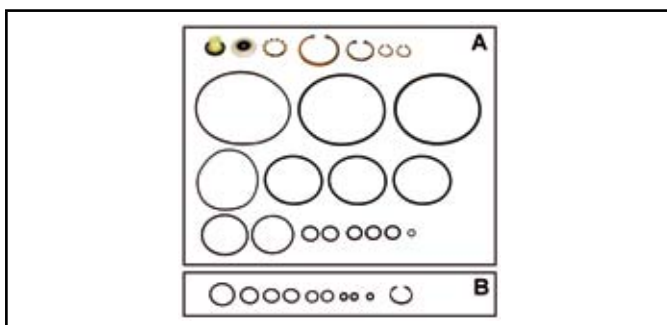
KNORR N°	OEM N°	OEM
0.486.205.001	1412238	SCA



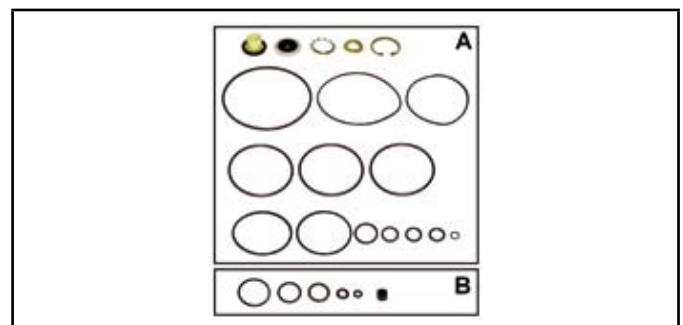
REPAIR KITS	DESCRIPTION	ITEMS IN KIT
BOSK.58.1	R/KIT FOR TRAILER VALVE	1 TO 24

REPAIR KIT ALPHA NUMERICAL INDEX

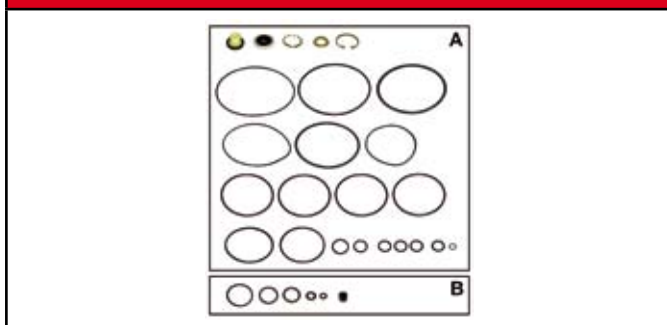
TT PART N°	ORIGINAL KIT N°	MAKER	DESCRIPTION	APPLICATION
BOSK.1.3	1.487.010.168	BOSCH	R/KIT 0.481.061.018/9.203	0.481.061.018 / 201 / 204 / 205 / 216
BOSK.1.4	1.487.010.206	BOSCH	R/KIT 0.481.061.213 / 4 / 5	0.481.061.213 / 214 / 230 / 235 / 248
BOSK.1.6	1.487.010.151	BOSCH	R/KIT 0.481.061.209/10/11/12	0.481.061.026 / 209 / 220 / 226 / 245
BOSK.1.6C	-	BOSCH	R/KIT 0.481.061.209/10/11/12	0.481.061.209 / 210 / 211 / 212
BOSK.58.1	-	BOSCH	R/KIT TRAILER VALVE	0.486.205.001
BOSK.58.2	-	BOSCH	TRAILER VALVE 0.486.204...	0.486.204.004
BOSK.58.3	-	BOSCH	TRAILER VALVE 0.486.203..	0.486.203.009
GSK.58.1	950.355.012	GRAU	R/KIT 355.027	355.027...
GSK.58.2	-	GRAU	R/KIT 355.071...	355.071...
KSK.6	1.77065	KNORR	R/KIT AB.27...+ AB.28..	AB.2762 / 2782 / 2794 / 2802 / 2831
KSK.6.2	1.93362.008	KNORR	R/KIT AB.2840/51	AB.2840 / 2851 / 2852 / 2854
MSK.11	766468.02	MARELLI	R/KIT AC.595A TO GA	AC.595A TO GA
MSK.11.1	766831.01	MARELLI	R/KIT AC.590.A/C	AC.590.A/C
MSK.11.F	766470.02	MARELLI	R/KIT AC.595.F	AC.595.F
MSK.58.5	766151.01	MARELLI	KIT FOR AC.596.A & 597.A	AC.596 / 597 / 598
WSK.30.3	471.200.005.2	WABCO	R/KIT 471.200	471.200.000-007
WSK.58.1	973.002.005.2	WABCO	R/KIT 973.002.....	973.002.5... / 6...
WSK.58.1C	-	WABCO	R/KIT WITH PISTON ASSY	973.002.5... / 6... - 460.541.0 / 714.8
WSK.58.4	-	WABCO	R/KIT 973.008.002 003	973.008.002 / 003 / 005 / 006 / 007
WSK.58.5	973.009.000.2	WABCO	R/KIT 973.009...	973.009.000 / 300
WSK.58.5C	973.009.001.2	WABCO	R/KIT 973.009...	973.009.000 / 300
WSK.58.8	-	WABCO	R/KIT 480.204.001	480.204.001
WSK.58.9	-	WABCO	R/KIT 480.202.004	480.202.004



BOSK.1.3



BOSK.1.6

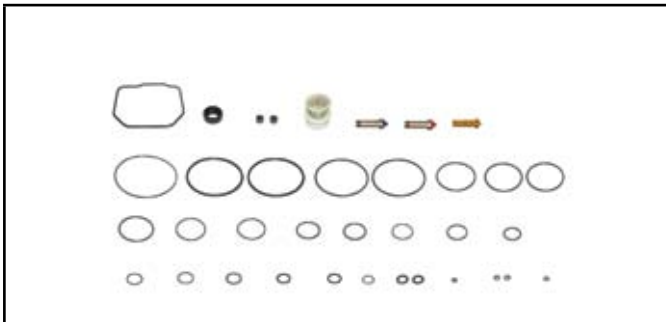


BOSK.1.4

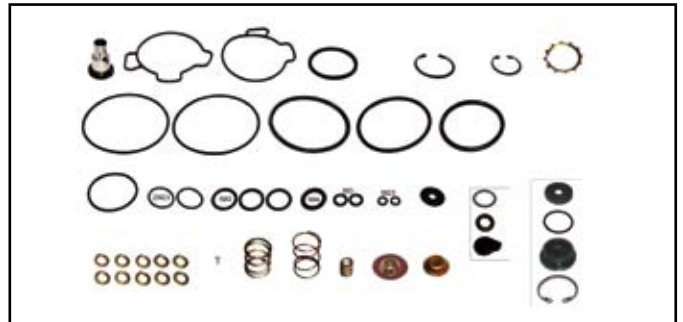


BOSK.1.6C

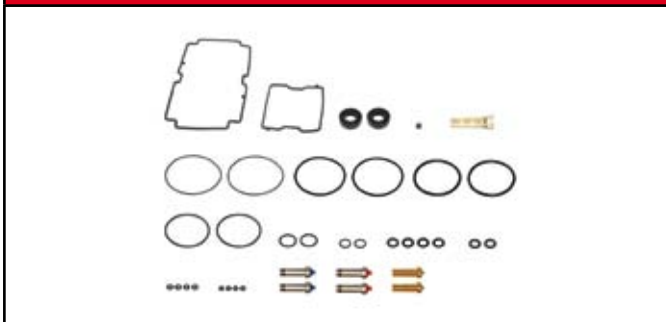
REPAIR KIT



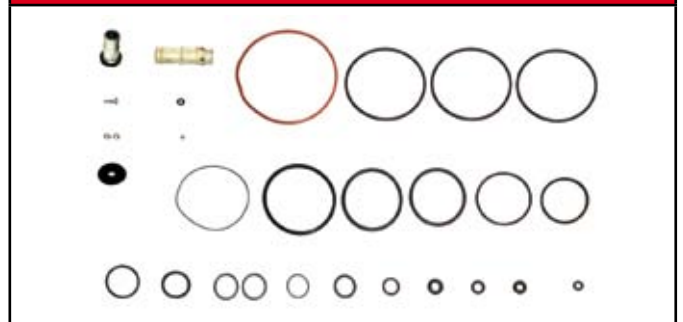
BOSK.58.1



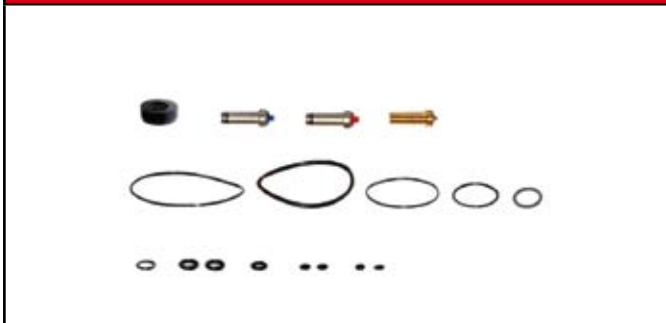
KSK.6



BOSK.58.2



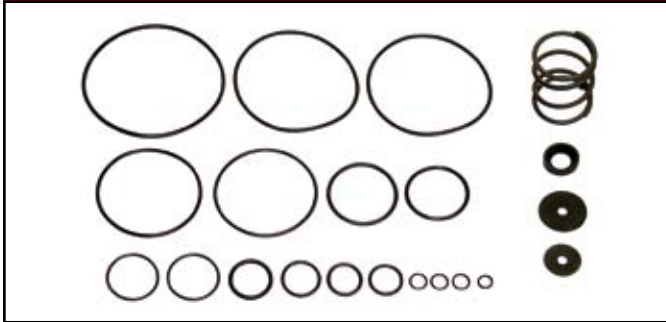
KSK.6.2



BOSK.58.3



MSK.11



GSK.58.1



MSK.11.1



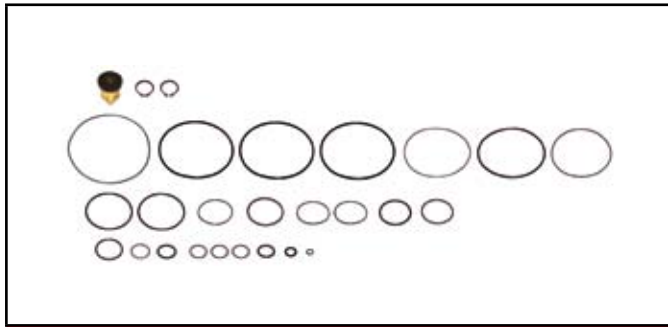
GSK.58.2



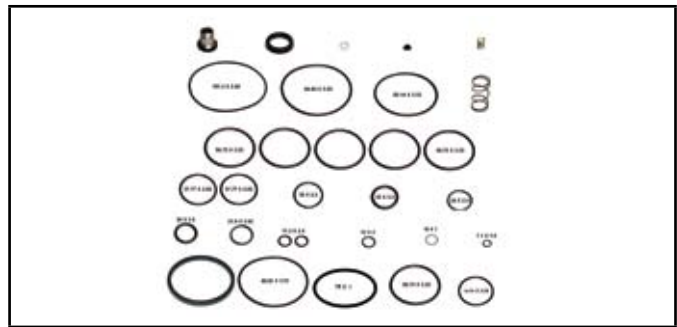
MSK.11.F



REPAIR KIT



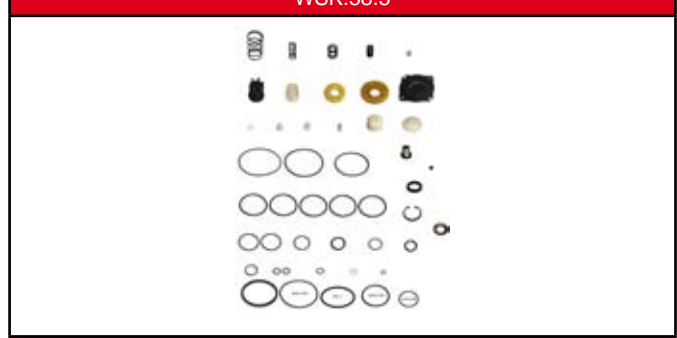
MSK.58.5



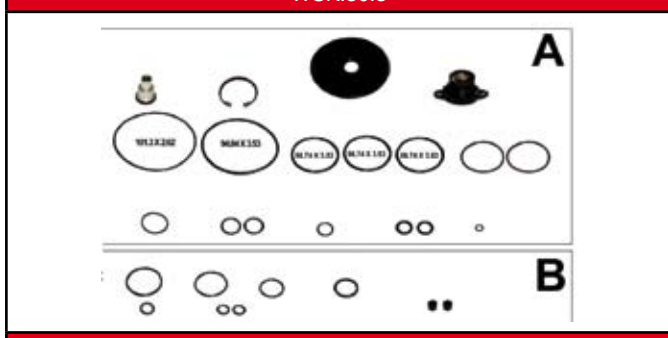
WSK.58.5



WSK.30.3



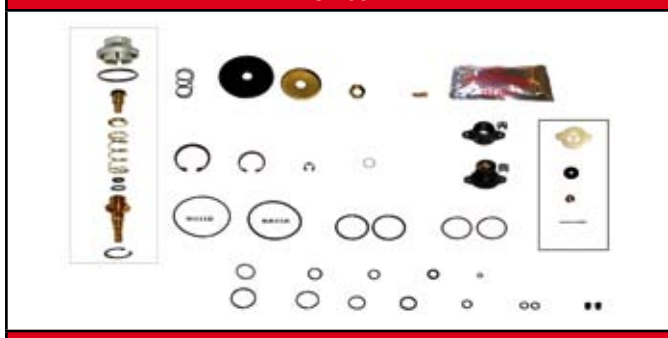
WSK.58.5C



WSK.58.1



WSK.58.8



WSK.58.1C



WSK.58.9



WSK.58.4





	CALIPER N°	MAKER	OEM N°	OEM	TT N°
1	SB5003	KNORR	001.420.64.01	DAIMLER - MERCEDES	91.01.004
1	SB5013	KNORR	001.420.63.01	DAIMLER - MERCEDES	91.01.003
2	SB6525	KNORR	001.420.60.01	DAIMLER - MERCEDES	91.02.016
2	SB6535	KNORR	001.420.15.01	DAIMLER - MERCEDES	91.02.017
3	SB7123	KNORR	1426662	SCANIA	91.03.051
3	SB7133	KNORR	1426663	SCANIA	91.03.052
4	SB7648	KNORR	001.420.69.01	DAIMLER - MERCEDES	91.03.013
4	SB7658	KNORR	001.420.70.01	DAIMLER - MERCEDES	91.03.014
5	LRG524	MERITOR	81.50804.6011	Man	93.04.001
5	LRG525	MERITOR	81.50804.6012	Man	93.04.002
5	LRG526	MERITOR	5000823338	RVI	93.04.003
5	LRG527	MERITOR	5000823339	RVI	93.04.004
6	LRG528	MERITOR	501003935	ZF	93.04.005
6	LRG529	MERITOR	501003936	ZF	93.04.006
7	LRG548	MERITOR	5001854741	RVI	93.05.001
7	LRG549	MERITOR	5001854742	RVI	93.05.002
8	LRG592	MERITOR	70306886	VOLVO	93.05.007
8	LRG593	MERITOR	70306887	VOLVO	93.05.008
9	LRG570	MERITOR	81.50804.6305	MAN	93.08.001
9	LRG571	MERITOR	81.50804.6306	MAN	93.08.002
10	DX.195.51	MERITOR	15224836SR	MERITOR	93.07.001
10	DX.195.52	MERITOR	15224837SR	MERITOR	93.07.002
11	20.5320.12	BREMBO	5010207434	RVI	95.02.001
11	20.5310.22	BREMBO	5010207435	RVI	95.02.002
11	20.5310.32	BREMBO	5010207433	RVI	95.02.003
11	20.5310.42	BREMBO	5010207432	RVI	95.02.004
12	131.776	BENDIX	98479593	IVECO	91.04.003
12	131.777	BENDIX	98479594	IVECO	91.04.004
13	40.175.051	WABCO	81.50804.6071	MAN	92.01.001
13	40.175.052	WABCO	81.50804.6072	MAN	92.01.002
14	40 225 007	WABCO	3080005100	SAF	92.03.003
14	40 225 008	WABCO	3080005000	SAF	92.03.004
15	40 195 007	WABCO	1400072	DAF-LEYLAND	92.02.003
15	40 195 008	WABCO	1400067	DAF-LEYLAND	92.02.004

This is an extreme SIMPLIFICATION of the Caliper market But all the same a useful quick reference list.

For full information on our complete range either :

CONSULT OUR CATALOGUE (ref: TTC.CALIPERS.004) (2008)
CONSULT OUR WEBSITE : WWW.TRUCKTECHNIC.COM, PERMANENTLY UPDATED AND DOWNLOAD THE LATEST NEWS.

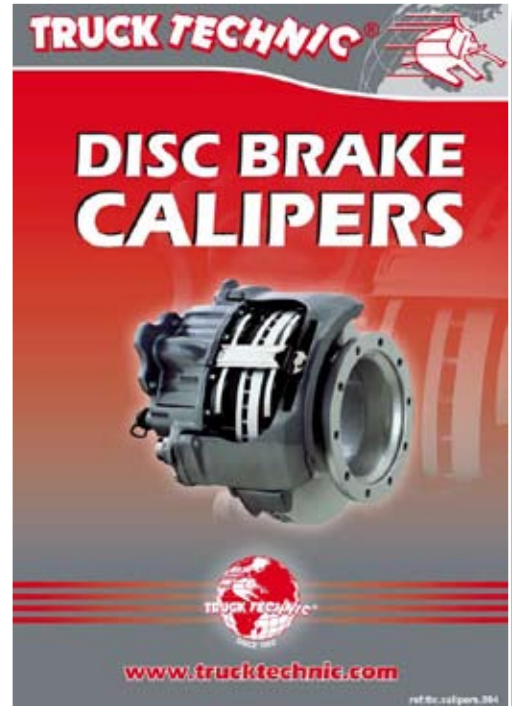
DISC BRAKE CALIPERS CATALOGUE

Dear customer,

Trucktechnic has developed a complete range of DISC BRAKE CALIPERS presented in our DISC BRAKE CALIPERS catalogue (**ttc.calipers.004**).

This catalogue includes cross references, Disc Brake Calipers sorted by brand, exploded views, repair kits & more, ...

TTN°	Description	Price [€]
ttc.calipers.004	GENERAL catalogue for Disc Brake Calipers	12,-



▼ Calipers applications



▲ Repair kits



POWER STEERING PUMPS



1



2



3



4



5



6

	MANUFACTURER N°	MANUFACTURER	TRUCKTECHNIC N°	OEM	OEM N°	APPLICATIONS
1	542.0427.10	LUK	21.01.017	VOL	3172492	FH12/340 FH12/380 FH12/420 FH12/460 FM12/380 FM12/360 FM12/420
2	542.0047.10	LUK	21.01.013	DAI	001 460 30.80 002 460 08.80 002.460.07.80	ACTROS 1996-2003 TRAVEGO BUS
3	7677.955.106	ZF	21.00.019	SCA	571364 / 255028	140-82-112-142
4	7673.955.116	ZF	21.00.002	DAI	000.460.14.80	Mercedes LK, MK, SK, NG, O301, O302, O303, O305, O307, O404, O405, O407, O408, Unimog
5	7673.955.311	ZF	21.00.014	IVE	42521697 42498432	MAGIRUSM120 M160/M170 M210 M232/M290 M310 M340
6	7685.955.102	ZF	21.00.010	MAN	81.47101.6137	F2000 F90 LION'S COACH TGA18 /24 /26 /28 /32 /33 /35 /37 /40 /41



CATALOG CROSS-REFERENCES GENERAL

P.S.P. N°	TT N°	OEM	OEM N°	SEAL KIT N°	ROTOR KIT N°	SHAFT & BEARING N°	PLATES N°	PRESSURE VALVE KIT
542.0001.10	21.01.001	VOL	1082959	LSK.2	LSK.6	LSK.9	LSK.18	LSK.28
542.0001.10	21.01.001	VOL	3172199	LSK.2	LSK.6	LSK.9	LSK.18	LSK.28
542.0001.10	21.01.001	VOL	8112286	LSK.2	LSK.6	LSK.9	LSK.18	LSK.28
542.0001.10	21.01.001	VOL	8113432	LSK.2	LSK.6	LSK.9	LSK.18	LSK.28
542.0007.10	21.01.002	VOL	3172499	LSK.2	LSK.6	LSK.9	LSK.17	LSK.21
542.0007.10	21.01.002	VOL	6795109	LSK.2	LSK.6	LSK.9	LSK.17	LSK.21
542.0008.10	21.01.003	SCA	1308495	LSK.16	LSK.3	LSK.12	LSK.17	LSK.21
542.0008.10	21.01.003	SCA	1457708	LSK.16	LSK.3	LSK.12	LSK.17	LSK.21
542.0008.10	21.01.003	SCA	571434	LSK.16	LSK.3	LSK.12	LSK.17	LSK.21
542.0010.10	21.01.004	SCA	1324223	LSK.16	LSK.3	LSK.12	LSK.17	LSK.21
542.0010.10	21.01.004	SCA	1457709	LSK.16	LSK.3	LSK.12	LSK.17	LSK.21
542.0010.10	21.01.004	SCA	1571396	LSK.16	LSK.3	LSK.12	LSK.17	LSK.21
542.0010.10	21.01.004	SCA	571435	LSK.16	LSK.3	LSK.12	LSK.17	LSK.21
542.0012.10	21.01.011	SCA	1332653	LSK.2	LSK.3	LSK.12	LSK.17	LSK.21
542.0012.10	21.01.011	SCA	1421628	LSK.2	LSK.3	LSK.12	LSK.17	LSK.21
542.0012.10	21.01.011	SCA	5711437	LSK.2	LSK.3	LSK.12	LSK.17	LSK.21
542.0012.10	21.01.011	SCA	1457711	LSK.2	LSK.3	LSK.12	LSK.17	LSK.21
542.0013.10	21.01.006	SCA	1333790	LSK.2	LSK.3	LSK.12	LSK.17	LSK.21
542.0013.10	21.01.006	SCA	1422417	LSK.2	LSK.3	LSK.12	LSK.17	LSK.21
542.0013.10	21.01.006	SCA	1457710	LSK.2	LSK.3	LSK.12	LSK.17	LSK.21
542.0013.10	21.01.006	SCA	1571397	LSK.2	LSK.3	LSK.12	LSK.17	LSK.21
542.0013.10	21.01.006	SCA	571436	LSK.2	LSK.3	LSK.12	LSK.17	LSK.21
542.0014.10	21.01.007	DAF	1239411	LSK.2	LSK.4	LSK.10	LSK.18	LSK.21
542.0014.10	21.01.007	DAF	1291227	LSK.2	LSK.4	LSK.10	LSK.18	LSK.21
542.0017.10	21.01.018	DAF	1291230	LSK.2	LSK.6	LSK.10	LSK.18	LSK.21
542.0018.10	21.01.008	VOL	8112963	LSK.2	LSK.3	LSK.11	LSK.17	LSK.21
542.0018.10	21.01.008	VOL	3172197	LSK.2	LSK.3	LSK.11	LSK.17	LSK.21
542.0019.10	21.01.020	DAF	1301265	LSK.2	LSK.6	LSK.10	LSK.18	LSK.21
542.0022.10	21.01.021	MAN	81.47101.6170	LSK.8	LSK.14	LSK.24	LSK.19	LSK.22
542.0022.10	21.01.021	MAN	81.47101.6086	LSK.8	LSK.14	LSK.24	LSK.19	LSK.22
542.0022.10	21.01.021	MAN	81.47101.6090	LSK.8	LSK.14	LSK.24	LSK.19	LSK.22
542.0022.10	21.01.021	MAN	81.47101.6103	LSK.8	LSK.14	LSK.24	LSK.19	LSK.22
542.0022.10	21.01.021	MAN	81.47101.6116	LSK.8	LSK.14	LSK.24	LSK.19	LSK.22
542.0022.10	21.01.021	MAN	81.47101.6121	LSK.8	LSK.14	LSK.24	LSK.19	LSK.22
542.0022.10	21.01.021	MAN	81.47101.6140	LSK.8	LSK.14	LSK.24	LSK.19	LSK.22
542.0022.10	21.01.021	MAN	81.47101.6161	LSK.8	LSK.14	LSK.24	LSK.19	LSK.22
542.0022.10	21.01.021	MAN	81.47101.6168	LSK.8	LSK.14	LSK.24	LSK.19	LSK.22
542.0022.10	21.01.021	MAN	81.47101.6180	LSK.8	LSK.14	LSK.24	LSK.19	LSK.22
542.0022.10	21.01.021	MAN	81.47101.9121	LSK.8	LSK.14	LSK.24	LSK.19	LSK.22
542.0022.10	21.01.021	MAN	81.47101.9161	LSK.8	LSK.14	LSK.24	LSK.19	LSK.22
542.0023.10	21.01.022	MAN	81.47101.6162	LSK.8	LSK.14	LSK.24	LSK.25	LSK.22
542.0023.10	21.01.022	MAN	81.47101.6181	LSK.8	LSK.14	LSK.24	LSK.25	LSK.22
542.0023.10	21.01.022	MAN	81.47101.9162	LSK.8	LSK.14	LSK.24	LSK.25	LSK.22
542.0032.10	21.01.025	DAI	000.460.14.80	LSK.8	LSK.14	LSK.24	LSK.19	LSK.22
542.0032.10	21.01.025	DAI	000.460.60.80	LSK.8	LSK.14	LSK.24	LSK.19	LSK.22
542.0032.10	21.01.025	DAI	002.460.76.80	LSK.8	LSK.14	LSK.24	LSK.19	LSK.22



CATALOG CROSS-REFERENCES GENERAL

P.S.P. N°	TT N°	OEM	OEM N°	SEAL KIT N°	ROTOR KIT N°	SHAFT & BEARING N°	PLATES N°	PRESSURE VALVE KIT
542.0032.10	21.01.025	DAI	001.466.43.01	LSK.8	LSK.14	LSK.24	LSK.19	LSK.22
542.0037.10	21.01.012	VOL	8112593	LSK.2	LSK.6	LSK.11	LSK.17	LSK.21
542.0037.10	21.01.012	VOL	8113268	LSK.2	LSK.6	LSK.11	LSK.17	LSK.21
542.0037.10	21.01.012	VOL	1628208	LSK.2	LSK.6	LSK.11	LSK.17	LSK.21
542.0037.10	21.01.012	VOL	3172193	LSK.2	LSK.6	LSK.11	LSK.17	LSK.21
542.0047.10	21.01.013	DAI	001 460 30.80	LSK.8	LSK.14	LSK.20	LSK.19	LSK.22
542.0047.10	21.01.013	DAI	002 460 08.80	LSK.8	LSK.14	LSK.20	LSK.19	LSK.22
542.0047.10	21.01.013	DAI	002.460.07.80	LSK.8	LSK.14	LSK.20	LSK.19	LSK.22
542.0048.10	21.01.014	DAI	001 460 52.80	LSK.8	LSK.15	LSK.20	LSK.19	LSK.22
542.0048.10	21.01.014	DAI	001 460 52.80	LSK.8	LSK.15	LSK.20	LSK.19	LSK.22
542.0425.10	21.01.015	VOL	3172490	LSK.2	LSK.6	LSK.11	LSK.17	LSK.21
542.0425.10	21.01.015	VOL	8113282	LSK.2	LSK.6	LSK.11	LSK.17	LSK.21
542.0426.10	21.01.016	VOL	3172488	LSK.2	LSK.5	LSK.11	LSK.17	LSK.21
542.0427.10	21.01.017	VOL	3172492	LSK.2	LSK.5	LSK.11	LSK.17	LSK.21
542.0434.10	21.01.019	VOL	8113 586	LSK.2	LSK.7	LSK.13	LSK.17	LSK.21
542.0434.10	21.01.019	VOL	20350652	LSK.2	LSK.7	LSK.13	LSK.17	LSK.21
542.0448.10	21.01.027	VOL	3177329	LSK.2	LSK.7	LSK.13	LSK.18	LSK.23
542.0448.10	21.01.027	VOL	8113454	LSK.2	LSK.7	LSK.13	LSK.18	LSK.23
7673.955.116	21.00.002	DAI	000.466.67.01	ZSK.7	ZSK.9	ZSK.15	ZSK.41	ZSK.63
7673.955.116	21.00.002	RVI	5000504322	ZSK.7	ZSK.9	ZSK.15	ZSK.41	ZSK.63
7673.955.127	21.00.003	DAI	000.466.71.01	ZSK.7	ZSK.9	ZSK.15	ZSK.41	ZSK.63
7673.955.139	21.00.017	VOL	364642	ZSK.27	ZSK.9	ZSK.35	ZSK.46	ZSK.64
7673.955.139	21.00.017	VOL	5001454	ZSK.27	ZSK.9	ZSK.35	ZSK.46	ZSK.64
7673.955.202	21.00.001	VOL	1589925	ZSK.1	ZSK.2	ZSK.16	ZSK.44	ZSK.66
7673.955.202	21.00.001	VOL	5001933	ZSK.1	ZSK.2	ZSK.16	ZSK.44	ZSK.66
7673.955.209	21.00.113	VOL	5002281	ZSK.1	ZSK.2	ZSK.16	ZSK.47	ZSK.60
7673.955.209	21.00.113	VOL	1591014	ZSK.1	ZSK.2	ZSK.16	ZSK.47	ZSK.60
7673.955.211	21.00.004	VOL	1585013	ZSK.1	ZSK.2	ZSK.16	ZSK.47	ZSK.66
7673.955.211	21.00.004	VOL	5001934	ZSK.1	ZSK.2	ZSK.16	ZSK.47	ZSK.66
7673.955.212	21.00.015	VOL	5002728	ZSK.1	ZSK.2	ZSK.16	ZSK.44	ZSK.60
7673.955.212	21.00.015	VOL	1591444	ZSK.1	ZSK.2	ZSK.16	ZSK.44	ZSK.60
7673.955.213	21.00.023	VOL	1587787	ZSK.1	ZSK.2	ZSK.16	ZSK.47	ZSK.61
7673.955.213	21.00.023	VOL	5001938	ZSK.1	ZSK.2	ZSK.16	ZSK.47	ZSK.61
7673.955.217	21.00.016	DAF	647602	ZSK.6	ZSK.2	ZSK.17	ZSK.48	ZSK.56
7673.955.225	21.00.005	VOL	1589231	ZSK.1	ZSK.2	ZSK.16	ZSK.47	ZSK.66
7673.955.225	21.00.005	VOL	5001935	ZSK.1	ZSK.2	ZSK.16	ZSK.47	ZSK.66
7673.955.243	21.00.026	VOL	8113174	ZSK.1	ZSK.2	ZSK.16	ZSK.48	ZSK.56
7673.955.243	21.00.026	VOL	1089887	ZSK.1	ZSK.2	ZSK.16	ZSK.48	ZSK.56
7673.955.255	21.00.006	VOL	VOLVO	ZSK.6	ZSK.2	ZSK.17	ZSK.48	ZSK.62
7673.955.311	21.00.014	IVE	42521697	ZSK.1	ZSK.2	ZSK.34	ZSK.47	ZSK.56
7673.955.311	21.00.014	IVE	42498432	ZSK.1	ZSK.2	ZSK.34	ZSK.47	ZSK.56
7673.955.322	21.00.040	IVE	4833411	ZSK.39	ZSK.2	ZSK.37	ZSK.47	ZSK.55
7673.955.322	21.00.040	IVE	42498433	ZSK.39	ZSK.2	ZSK.37	ZSK.47	ZSK.55
7673.955.534	21.00.018	DAI	001.466.13.01	ZSK.8	ZSK.30	ZSK.19	ZSK.42	ZSK.65
7673.955.554	21.00.007	DAI	001.466.27.01	ZSK.26	ZSK.9	ZSK.38	ZSK.41	ZSK.64
7673.955.554	21.00.007	DAI	001.466.28.01	ZSK.26	ZSK.9	ZSK.38	ZSK.41	ZSK.64



CATALOG CROSS-REFERENCES GENERAL

P.S.P. N°	TT N°	OEM	OEM N°	SEAL KIT N°	ROTOR KIT N°	SHAFT & BEARING N°	PLATES N°	PRESSURE VALVE KIT
7674.955.134	21.00.021	AUW	10610299	ZSK.8	ZSK.29	ZSK.19	ZSK.43	ZSK.57
7674.955.134	21.00.021	EVO	8225000163	ZSK.8	ZSK.29	ZSK.19	ZSK.43	ZSK.57
7674.955.134	21.00.021	MAN	81.47101.6002	ZSK.8	ZSK.29	ZSK.19	ZSK.43	ZSK.57
7674.955.207	21.00.037	DAF	624702	ZSK.6	ZSK.23	ZSK.17	ZSK.47	ZSK.56
7674.955.232	21.00.041	IVE	42498096	ZSK.1	ZSK.23	ZSK.18	ZSK.44	ZSK.56
7674.955.232	21.00.041	IVE	4708327	ZSK.1	ZSK.23	ZSK.18	ZSK.44	ZSK.56
7674.955.235	21.00.022	VOL	1605903	ZSK.1	ZSK.23	ZSK.16	ZSK.45	ZSK.66
7674.955.235	21.00.022	VOL	5003174	ZSK.1	ZSK.23	ZSK.16	ZSK.45	ZSK.66
7674.955.519	21.00.008	MAN	81.47101.6031	ZSK.4	ZSK.29	ZSK.19	ZSK.40	ZSK.57
7677.955.106	21.00.19	SCA	571364	ZSK.25	ZSK.28	ZSK.36	ZSK.49	ZSK.62
7677.955.106	21.00.19	SCA	255028	ZSK.25	ZSK.28	ZSK.36	ZSK.49	ZSK.62
7684.955.198	21.00.020	DAI	000.460.66.80	ZSK.3	ZSK.24	ZSK.20	ZSK.52	ZSK.67
7684.974.701	21.00.540	IVE	41031974	ZSK.12	ZSK.24	ZSK.31	ZSK.54	ZSK.59
7684.974.702	21.00.541	IVE	41031965	ZSK.12	ZSK.24	ZSK.32	ZSK.54	ZSK.59
7684.974.703	21.00.025	VOL	3987561	ZSK.12	ZSK.24	ZSK.33	ZSK.54	ZSK.59
7684.974.704	21.00.009	RVI	7403986328	ZSK.5	ZSK.24	ZSK.21	ZSK.50	ZSK.59
7684.974.704	21.00.009	VOL	85000031	ZSK.5	ZSK.24	ZSK.21	ZSK.50	ZSK.59
7684.974.704	21.00.009	VOL	3986328	ZSK.5	ZSK.24	ZSK.21	ZSK.50	ZSK.59
7684.974.704	21.00.009	VOL	85000180	ZSK.5	ZSK.24	ZSK.21	ZSK.50	ZSK.59
7684.974.708	21.00.042	VOL	85000366	ZSK.5	ZSK.24	ZSK.21	ZSK.50	ZSK.59
7684.974.708	21.00.042	VOL	70321037	ZSK.5	ZSK.24	ZSK.21	ZSK.50	ZSK.59
7685.955.102	21.00.010	EVO	8225000136	ZSK.3	ZSK.11	ZSK.20	ZSK.51	ZSK.58
7685.955.102	21.00.010	MAN	81.47101.6137	ZSK.3	ZSK.11	ZSK.20	ZSK.51	ZSK.58
7685.955.104	21.00.011	DAF	WAK7373Y39	ZSK.3	ZSK.11	ZSK.20	ZSK.51	ZSK.58
7685.955.152	21.00.027	MAN	81.47101.6189	ZSK.3	ZSK.11	ZSK.20	ZSK.51	ZSK.58
7685.955.180	21.00.586	MAN	81.47101.6137	ZSK.3	ZSK.11	ZSK.20	ZSK.51	ZSK.58
7685.955.185	21.00.028	MAN	81.47101.6189	ZSK.3	ZSK.11	ZSK.20	ZSK.51	ZSK.58
7685.955.752	21.00.039	SCA	1371404	ZSK.5	ZSK.13	ZSK.22	ZSK.53	ZSK.59



POWER STEERING PUMPS CATALOGUE

Dear customer,

Trucktechnic has developed a complete range of POWER STEERING PUMPS presented in our POWER STEERING PUMPS catalogue (ttc.psp.001).

This catalogue includes cross references, Power steering pumps sorted by brand, exploded views, repair kits, test bench & more, ...

TTN°	Description	Price [€]
ttc.psp.001	GENERAL catalogue for POWER STEERING PUMPS	12,-



▼ Cross references



▼ Exploded view



▲ Technical informations



◀ Test bench



OIL SEALS RANGE PRESENTATION

MAN



TOSK N°	TOSK.113
DIMENSIONS	135x175/205x18
MATERIAL	FPM
OEM N°	81.96503.0188
CORTECO	12020157
ELRING	009.310
SKF	-
GOETZE	-
REINZ	-

DAF



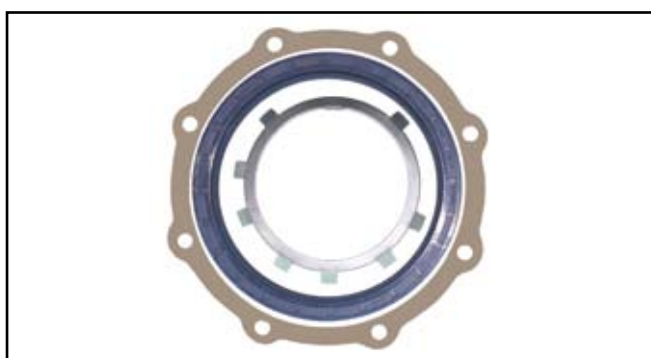
TOSK N°	TOSK.217
DIMENSIONS	154x180x12
MATERIAL	FPM
OEM N°	1275083
CORTECO	12015530
ELRING	-
SKF	-
GOETZE	50.307080.70
REINZ	81.28539.00

VOLVO



TOSK N°	TOSK.47
DIMENSIONS	1seal:125x148.3x8.1 1seal:125x148x9.7 rubber 98.2+112.75+5.5/7
MATERIAL	FPM
OEM N°	CASSETTE
CORTECO	-
ELRING	-
SKF	-
GOETZE	-

OIL SEALS FOR ABS



TASK N°	TASK.10
DPH	93470
DAI	385.350.00.68



CROSS REFERENCES Sorted by OEM

TOSK N°	DIMENSIONS	QTY	MATERIAL	OEM N°	OEM N°	OEM	CORTECO	ELRING	SKF	GOETZE	REINZ
TOSK.270	125x143x13	5	NBR	02.5664.2657	4.753.054.000	BPW	12015710	-	VKS6285	-	-
TOSK.271	145x167x13	5	NBR	02.5664.4657	02.5664.53.00	BPW	12013359	-	VKS.6287	-	-
TOSK.272	135x156.7x8	5	NBR	-	02.5664.5800	BPW	01026187	-	VKS.6251	-	-
TOSK.272	135x156.7x8	5	NBR	-	02.5664.56.64	BPW	01026187	-	VKS.6251	-	-
TOSK.211	120.65x146x12.7	5	NBR	140619	-	DAF	-	-	-	-	-
TOSK.210	114x142/170x14/2	5	NBR	190069	-	DAF	-	-	VKS.6171	-	-
TOSK.215	150x160x17	1	FPM	292766	-	DAF	-	-	VKS.6180	-	-
TOSK.212	120x160x17,5	10	NBR	678157	-	DAF	01016684	-	VKS.6140	-	-
TOSK.214	125x150x15	5	FPM	682962	1275082	DAF	-	-	-	50.307127.70	81.24476.20
TOSK.225	70x90x10	5	FPM	1226734	0240631	DAF	-	-	-	-	-
TOSK.225	70x90x10	5	FPM	1226734	0240631	DAF	12014700	-	-	50.305859.70	-
TOSK.208	100x140x15	5	NBR	1238034	-	DAF	12015758	-	VKS.6333	-	-
TOSK.209	105x150x12	5	FPM	1242697	-	DAF	-	-	-	-	-
TOSK.217	154x180x12	1	FPM	1275083	682961	DAF	12015530	-	-	50.307080.70	81.28539.00
TOSK.207	100x124x12	5	FPM	1275084	281986	DAF	15027586	-	-	-	81.29052.00
TOSK.227	78x115x13	5	FPM	1283668	-	DAF	01017058	-	-	-	-
TOSK.231	85x140x13	5	FPM	1287102	-	DAF	01027965	-	-	-	-
TOSK.216.1	100x140/160x16/22	5	NBR	1334961	-	DAF	01026332	-	-	-	-
TOSK.216	125x160x15/18	5	FPM	1335063	-	DAF	01026336	-	-	-	-
TOSK.217	154x180x12	1	FPM	1340320	1370127	DAF	-	-	-	-	-
TOSK.207	100x124x12	5	FPM	1340321	281986	DAF	15027586	-	-	-	81.29052.00
TOSK.221	38x50x7	10	NBR	3104047	000204265	DAF	12010923	-	-	-	-
TOSK.102	48x75x8	5	FPM	0110466	0609458	DAF	12011307	033.472	-	-	-
TOSK.104	80x100x12	1	FPM	0827463	-	DAF	-	042.420	-	-	-
TOSK.240	55x75x12	5	NBR	004.997.69.46	-	BENZ	-	-	-	-	-
TOSK.254	185x210x13	5	NBR	304.997.1747	009.997.00.46	BENZ	12011099	563.617	-	-	-
TOSK.254	185x210x13	5	NBR	304.997.1747	010.997.00.46	BENZ	12011099	563.617	-	-	-
TOSK.101	72x105x13	5	FPM	5000280664	5000281065	BENZ	12014743	008.745	-	50.305124.70	-
TOSK.252	75x95x10	10	NBR	000.997.56.46	-	BENZ	12011020	528.102	-	50.302915.00	-
TOSK.255	26x45x10	10	NBR	003.997.40.46	-	BENZ	12011330	038.490	-	50.301047.00	81.20308.00
TOSK.260	75x100x12	5	FPM	003.997.45.47	004.997.39.47	BENZ	12011674	525.316	-	-	-
TOSK.107	145x175x14	5	NBR	003.997.66.47	-	BENZ	12011374	002.313/208.210	-	50.307160.70	81.91002.00
TOSK.258	85x105x10	5	FPM	004.997.06.47	-	BENZ	12013757	033.464	-	-	-
TOSK.66	75x100x10	10	NBR	004.997.13.47	-	BENZ	12011021	-	-	-	-
TOSK.239	120x150x15	5	NBR	004.997.18.47	004.997.17.47	BENZ	12011418	010.901	-	50.305826.00	81.35103.00
TOSK.260	75x100x12	5	FPM	004.997.60.46	005.997.82.47	BENZ	12011674	525.316	-	-	-
TOSK.251	120x140x13	10	NBR	005.997.26.47	013.997.14.47	BENZ	-	-	-	-	-
TOSK.251	120x140x13	10	NBR	006.997.33.47	007.997.2446	BENZ	12014877	090.158	-	50.305151.000	50.306632.50
TOSK.242	55x75x10	5	NBR	007.997.23.47	004.997.09.46	BENZ	12011333	041.335	-	50.303096.00	-
TOSK.256	85x105x13	10	NBR	007.997.99.46	-	BENZ	12011359	096.067	-	-	81.35092.00
TOSK.221	38x50x7	10	NBR	009.997.31.46	-	BENZ	12010923	-	-	-	-
TOSK.239	120X150X15	5	NBR	009.997.73.47	010.997.90.46	BENZ	12011418	010.901	-	50.305826.00	81.35103.00
TOSK.58	25x35x7	10	NBR	009.997.97.46	-	BENZ	12011122	246891	-	50.319328.00	81.15261.20
TOSK.16.1	26x36x7	10	NBR	010.997.23.46	-	BENZ	01027966	-	-	-	-
TOSK.101	72x105x13	5	FPM	010.997.37.46	010.997.53.46	BENZ	12014743	008.745	-	50.305124.70	-
TOSK.107	145x175x14	5	NBR	011.997.00.46	-	BENZ	12011374	002.313/208.210	-	50.307160.70	81.91002.00
TOSK.107	145x175x14	5	NBR	011.997.00.46	-	BENZ	12011374	002.313/208.210	-	50.307160.70	81.91002.00
TOSK.121	160x180x10	5	NBR	011.997.17.46	012.997.58.47	BENZ	01019888	104.470	VKS.6194	-	-
TOSK.107	145x175x14	5	NBR	011.997.44.46	-	BENZ	12011374	002.313/208.210	-	50.307160.70	81.91002.00
TOSK.58	25x35x7	10	NBR	011.997.47.46	-	BENZ	12011122	246891	-	50.319328.00	81.15261.20
TOSK.260	75x100x12	5	FPM	011.997.56.47	011.997.69.46	BENZ	12011674	525.316	-	-	-
TOSK.260	75x100x12	5	FPM	011.997.57.47	001.997.52.46	BENZ	12011674	525.316	-	-	-
TOSK.101	72x105x13	5	FPM	011.997.68.47	013.997.49.47	BENZ	12014743	008.745	-	50.305124.70	-
TOSK.260	75x100x12	5	FPM	011.997.70.46	345.997.77.46	BENZ	12011674	525.316	-	-	-



CROSS REFERENCES Sorted by OEM

TOSK N°	DIMENSIONS	QTY	MATERIAL	OEM N°	OEM N°	OEM	CORTECO	ELRING	SKF	GOETZE	REINZ
TOSK.121	160x180x10	5	NBR	012.997.20.47	015.997.58.47	BENZ	01019888	104.470	VKS.6194	-	-
TOSK.253	105x130x12	5	FPM	012.997.74.47	003.997.07.47	BENZ	12014447	524972	-	50.304322.10	-
TOSK.253	105x130x12	5	FPM	003.997.07.47	006.997.23.47	BENZ	12014447	524972	-	50.304322.10	-
TOSK.253	105x130x12	5	FPM	004.997.10.47	009.997.34.47	BENZ	12014447	524972	-	50.304322.10	-
TOSK.233	145x175/205x9/14	1	NBR	015.997.40.47		BENZ	-	-	-	-	-
TOSK.102	48x75x8	5	FPM	004.997.07.47	006.997.87.47	BENZ	12011307	033.472	-	-	-
TOSK.102	48x75x8	5	FPM	007.997.54.47	010.997.92.46	BENZ	12011307	033.472	-	-	-
TOSK.102	48x75x8	5	FPM	008.997.38.47	-	BENZ	12011307	033.472	-	-	-
TOSK.103	42x58x7	10	NBR	001.997.80.47	003.997.05.47	BENZ	-	010.197	-	-	-
TOSK.103	42x58x7	10	NBR	009.997.30.46	350.997.73.46	BENZ	-	010.197	-	-	-
TOSK.104	80x100x12	1	FPM	005.997.96.46	007.997.38.47	BENZ	-	042.420	-	-	-
TOSK.104	80x100x12	1	FPM	007.997.49.47	009.997.06.46	BENZ	-	042.420	-	-	-
TOSK.257	68x90x10	5	FPM	007.997.39.47	007.997.50.47	BENZ	12012575	008.508	-	50.305087.00	-
TOSK.225	70x90x10	5	FPM	40003660	40003840	IVE	12014700	-	-	-	-
TOSK.225	70x90x10	5	FPM	40003660	40003840	IVE	12014700	-	-	50.305859.70	-
TOSK.225	70x90x10	5	FPM	40100300	40100900	IVE	12014700	-	-	-	-
TOSK.225	70x90x10	5	FPM	40100300	40100900	IVE	12014700	-	-	50.305859.70	-
TOSK.102	48x75x8	5	FPM	42485652	42480940	IVE	12011307	033.472	-	-	-
TOSK.105	105x130x12	5	NBR	38515091	42492378	IVE	12011062	282.200	-	-	-
TOSK.105	105x130x12	5	NBR	7982082	38515091	IVE	12011062	282.200	-	-	-
TOSK.58	25x35x7	10	NBR	768343	-	IVE	12011122	246891	-	50.319328.00	81.15261.20
TOSK.66	75x100x10	10	NBR	38510549	843075	IVE	12011021	-	-	-	-
TOSK.221	38x50x7	10	NBR	40001820	-	IVE	12010923	-	-	-	-
TOSK.251	120x140x13	10	NBR	40003010	-	IVE	12014877	090.158	-	50.305151.000	50.306632.50
TOSK.80	125x160x15	5	NBR	42031684	-	IVE	12014463	-	VKS.6261	-	-
TOSK.57	80x100x10	5	NBR	93163158	-	IVE	12011026	546.038	-	-	-
TOSK.106	100x130x12	5	NBR	06.56289.0315	-	MAN	01018440	519.243	VKS.6182	-	-
TOSK.106	100x130x12	5	NBR	06.56289.0324	-	MAN	01018440	519.243	VKS.6182	-	-
TOSK.101	72x105x13	5	FPM	05.56279.0073	06.56279.0027	MAN	12014743	008.745	-	50.305124.70	-
TOSK.101	72x105x13	5	FPM	06.56279.0072	81.96501.0907	MAN	12014743	008.745	-	50.305124.70	-
TOSK.102	48x75x8	5	FPM	06.56279.0084	81.96502.0225	MAN	12011307	033.472	-	-	-
TOSK.257	68x90x10	5	FPM	06.56279.0210	-	MAN	12012575	008.508	-	50.305087.00	-
TOSK.239	120x150x15	5	NBR	06.56282.1007	90.75254.1153	MAN	12011418	010.901	-	50.305826.00	81.35103.00
TOSK.107	145x175x14	5	NBR	06.56289.0027	-	MAN	12011374	002.313/208.210	-	50.307160.70	81.91002.00
TOSK.121	160x180x10	5	NBR	06.56289.0052	06.56289.0365	MAN	01019888	104.470	VKS.6194	-	-
TOSK.107	145x175x14	5	NBR	06.56289.0064	-	MAN	12011374	002.313/208.210	-	50.307160.70	81.91002.00
TOSK.145	80x100x12	10	NBR	06.56289.0179	-	MAN	01017034	-	-	-	-
TOSK.251	120x140x13	10	NBR	51.01510.0133	-	MAN	12014877	090.158	-	50.305151.000	50.306632.50
TOSK.100	105x130x12	5	PTFE	51.01510.0197	51.01510.0199	MAN	01017541	766.852	-	-	81.23112.30
TOSK.100	105x130x12	5	PTFE	51.01510.0199	51.01510.0226	MAN	01017541	766.852	-	-	81.23112.30
TOSK.100	105x130x12	5	PTFE	51.01510.6002	51.01510.6003	MAN	01017541	766.852	-	-	81.23112.30
TOSK.100	105x130x12	5	PTFE	51.01510.6006	51.01510.6004	MAN	01017541	766.852	-	-	81.23112.30
TOSK.100	105x130x12	5	PTFE	51.01510.6007	-	MAN	01017541	766.852	-	-	81.23112.30
TOSK.58	25x35x7	10	NBR	81.96501.0702	-	MAN	12011122	246891	-	50.319328.00	81.15261.20
TOSK.113	135x175/205x18	5	FPM	81.96503.0188	-	MAN	12020157	009.310	-	-	-
TOSK.113	135x175/205x18	5	FPM	81.96503.0207	-	MAN	12020157	009.310	-	-	-
TOSK.113	135x175/205x18	5	FPM	81.96503.0398	-	MAN	12020157	009.310	-	-	-
TOSK.103	42x58x7	10	NBR	06.56279.0133	06.56279.0114	MAN	-	010.197	-	-	-
TOSK.103	42x58x7	10	NBR	81.96501.0843	-	MAN	-	010.197	-	-	-
TOSK.104	80x100x12	1	FPM	06.56289.0191	06.56289.0190	MAN	-	042.420	-	-	-
TOSK.104	80x100x12	1	FPM	81.96502.0246	-	MAN	-	042.420	-	-	-
TOSK.105	105x130x12	5	NBR	81.96502.0349	-	MAN	12011062	282.200	-	-	-
TOSK.212	120x160x17,5	5	NBR	500078490	-	RVI	01016684	-	VKS.6140	-	-
TOSK.58	25x35x7	10	NBR	5000242264	-	RVI	12011122	246891	-	50.319328.00	81.15261.20



CROSS REFERENCES Sorted by OEM

TOSK N°	DIMENSIONS	QTY	MATERIAL	OEM N°	OEM N°	OEM	CORTECO	ELRING	SKF	GOETZE	REINZ
TOSK.107	145x175x14	5	NBR	5000281015	-	RVI	12011374	002.313/208.210	-	50.307160.70	81.91002.00
TOSK.239	120x150x15	5	NBR	5000281894	-	RVI	12011418	010.901	-	50.305826.00	81.35103.00
TOSK.251	120x140x13	10	NBR	5000560821	-	RVI	12014877	090.158	-	50.305151.000	50.306632.50
TOSK.49	85x130x32	5	FPM	5000675975	5003087004	RVI	07016736	-	-	-	-
TOSK.225	70x90x10	5	FPM	5001000786	7701461929	RVI	12014700	-	-	-	-
TOSK.225	70x90x10	5	FPM	5001000786	7701461929	RVI	12014700	-	-	50.305859.70	-
TOSK.10	80x100x10	5	FPM	7700743161	7700854841	RVI	12013361	587966	-	-	-
TOSK.102	48x75x8	5	FPM	5000283802	5000803107	RVI	12011307	033.472	-	-	-
TOSK.103	42x58x7	10	NBR	5000284157	-	RVI	-	010.197	-	-	-
TOSK.104	80x100x12	1	FPM	0024472613	-	RVI	-	042.420	-	-	-
TOSK.101	72x105x13	5	FPM	386968	-	SCA	12014743	008.745	-	50.305124.70	-
TOSK.66	75x100x10	10	NBR	33352	333526	SCA	12011021	-	-	-	-
TOSK.57	80x100x10	5	NBR	120979	-	SCA	12011026	546.038	-	-	-
TOSK.221	38x50x7	10	NBR	123102	-	SCA	12010923	-	-	-	-
TOSK.95	150.81x177.8x12.7	5	NBR	159496	1594969	SCA	12011092	325.503	-	-	-
TOSK.58	25x35x7	10	NBR	192600	-	SCA	12011122	246891	-	50.319328.00	81.15261.20
TOSK.75	130x160x15	1	SILICONE	231938	-	SCA	20017235	354.390	-	-	81.25014.20
TOSK.63	145x170x15/20	5	NBR	291076	370076	SCA	12011388	586838	VKS.6111	-	-
TOSK.79	137x161.92x15	5	NBR	297991	370074	SCA	12012241	586.803	-	-	-
TOSK.57	80x100x10	5	NBR	304552	-	SCA	12011026	546.038	-	-	-
TOSK.75	130x160x15	1	SILICONE	369478	366303	SCA	20017235	354.390	-	-	81.25014.20
TOSK.64	155x180x24/29	5	FPM	370075	291463	SCA	12011917	598925	-	-	-
TOSK.80	125x160x15	5	NBR	375086	-	SCA	12014463	-	VKS.6261	-	-
TOSK.81	110x140x15	5	NBR	375087	-	SCA	12014464	-	-	-	-
TOSK.62	80x100x13	10	NBR	388728	-	SCA	-	-	-	-	-
TOSK.61	80x100x12	5	FPM	1335243	-	SCA	12015254	-	-	-	-
TOSK.89	158x185x14.5	5	FPM	1363674	1309342	SCA	12017426	919.888	-	-	-
TOSK.59	142x170x15.5/1	5	NBR	1409889	1534012	SCA	1409889	222.620	VKS.6372	-	-
TOSK.60	75x100x14	10	NBR	1409890	1313719	SCA	12017173	222610	VKS.6105	-	-
TOSK.105	105x130x12	5	NBR	1526828	15268287	VOL	12011062	282.200	-	-	-
TOSK.48	29x50x10	10	ACM	424580	-	VOL	12014476	755.087	-	-	81.24858.10
TOSK.32	80x130.2x12/20	5	ACM	943141	1522895	VOL	12014745	588.016	-	-	81.35131.00
TOSK.46	59.9x80x8/10	5	FPM	-	267316	VOL	12013864	-	-	-	81.35139.00
TOSK.58	25x35x7	10	NBR	240022	-	VOL	12011122	246891	-	50.319328.00	81.15261.20
TOSK.9	64.9x90x10	5	FPM	267268	943044 943703	VOL	12013360	587958	-	-	-
TOSK.10	80x100x10	5	FPM	267269	943704	VOL	12013361	587966	-	-	81.35138.00
TOSK.2	OIL SEAL SET	1E	NBR	273394	2733947	VOL	-	921.882	-	-	-
TOSK.45	155x180x15	1	FPM	469336	-	VOL	12015806B	760315	-	50.305951.00	81.25934.00
TOSK.24	127x150x12	5	SILICONE	471056	477119	VOL	12013863	518360	-	50.319243.00	-
TOSK.16.1	26x36x7	10	NBR	943741	-	VOL	01027966	-	-	-	-
TOSK.11	133.30x155.60x14	5	NBR	944667	1577624	VOL	12011387	522856	-	50.306355.00	81.35111.00
TOSK.27	80x100.05x12	5	FPM	948448	-	VOL	12013871	-	-	-	81.35141.00
TOSK.23	140x164x23.5	1	FPM	1522372	1672249	VOL	12014656	922277	-	-	-
TOSK.36	50x65x8	10	FPM	1522373	-	VOL	20019176B	597015	-	-	-
TOSK.31	80x150x12/20	1E	FPM	1522894	15229843	VOL	12014744	588.008	-	-	81.35129.00
TOSK.15	110x140x12/21.5	5	NBR	1587792	1089552	VOL	12013870	522910	VKS.6134	-	-
TOSK.53	145x175x17	1	FPM	1594257	-	VOL	-	-	VKS.6136	-	81.35301.00
TOSK.25	168x188x30	1	ACM	1610765	1591903	VOL	12014437	693162	VKS.6135	-	81.35134.00
TOSK.49	85x130x32	5	FPM	3152027	-	VOL	07016736	-	-	-	-
TOSK.212	120x160x17,5	5	NBR	6771769	-	VOL	01016684	-	VKS.6140	-	-
TOSK.37	76.2x101.68x12	5	MVQ	471055/477118	-	VOL	12014191	-	-	-	-
TOSK.47	1 Seal:125x148.3x8.1 1 Seal:125x148x9.7 Rubber. :98.2+112.75+5.5/7	1	FPM	CASSETTE	20518642 20399560 1076656	VOL	-	-	-	-	-



CROSS REFERENCES



TT N°	OEM	OEM N°	APPLICATION	Pos.	FIRESTONE	CONTI	WABCO
23.00.001	BPW	0.200.24.40.0	TRAILER	-	W010950118	644N	8961301054
23.00.001	DAF	689677	SB2000 - SB201	F	W010950118	644N	8961301054
23.00.001	DAIM	000.327.01.01 307.327.00.01 364.327.70.01	BUS-O302-O303-O305-O307- O309-O317-O405-O405G2- O407- O417-	F/R	W010950118	644N	8961301054
23.00.001	DAIM	000.327.01.01 307.327.00.01 364.327.70.01	O 404 - O580 - OC500 - TC400	R	W010950118	644N	8961301054
23.00.001	DAIM	000.327.01.01 307.327.00.01 364.327.70.01	O405N	F	W010950118	644N	8961301054
23.00.001	KASSBOHRER	4.771.143.000 4.771.170.000 4.771.359.000	216 DHS - 228DT S120GV/V - S155S1305 S140E/ ES/H - S150E/H S180 - S200 S209 S210H/HD - S211 - S212 S213 - S214 - S216HSD S228DT - SG052 - SG175 SG180	R	W010950118	644N	8961301054
23.00.001	KASSBOHRER	4.771.143.000 4.771.170.000 4.771.359.000	BUS-S110 -S12-S14-S15L	F/R	W010950118	644N	8961301054
23.00.001	KASSBOHRER	4.771.143.000 4.771.170.000 4.771.359.000	SG98	F	W010950118	644N	8961301054
23.00.001	MAGIRUS- DEUTZ	536.905.265	R105	F/R	W010950118	644N	8961301054
23.00.001	MAN	81.43601.0017	BUS	F/R	W010950118	644N	8961301054
23.00.001	NEOPLAN	100110300	BUS	F/R	W010950118	644N	8961301054
23.00.001	NEOPLAN	100110300	JETLINER	F	W010950118	644N	8961301054
23.00.001	NEOPLAN	100110300	N907-EUROSTAR	F/R	W010950118	644N	8961301054



CROSS REFERENCES



TT N°	OEM	OEM N°	APPLICATION	Pos.	FIRESTONE	CONTI	WABCO
23.00.001	VAN HOOL	624319.420 624319.600 624319.630	BUS - T809 ALIZEE - T812 T815 - T824 AMAGNT VH440/4 - VH540 - VH120 VHC441 - VHDAU115 VHF309 - VHF441 VHF444B.C	F/R	W010950118	644N	8961301054
23.00.001	VAN HOOL	624319.420 624319.600 624319.630	T818 ARTICULATED T820 ARTICULATED T824 ARTICU- LATED	R	W010950118	644N	8961301054
23.00.001	VAN HOOL	624319.420 624319.600 624319.630	VHAU115 - VHDAU 115/1 -VHD440B	F	W010950118	644N	8961301054
23.00.001	VOLVO	1134445 199893 1622111	-	F	W010950118	644N	8961301054
23.00.001	VOLVO	1134445 199893 1622111	BUS B10M - C10M	F/R	W010950118	644N	8961301054
23.00.001	VOLVO	1134445 199893 1622111	B10M MKIIIIG - B10M4 B12 CITY BUS TRUCK F4/F6 F10/F12	R	W010950118	644N	8961301054
23.00.001	VOLVO	1134445 199893 1622111	B10R	F	W010950118	644N	8961301054
23.00.003	DAF	638148	MB200 -MB230 SB1602-SB1603 SB1604-SB1605 FA2135-FA2200 FA2800-FA2805 FT2300-FT2800	R	W010950191	727N	8961301254
23.00.003	DAIM	307.328.01.01	O321 - O322 TRUCK	F/R	W010950191	727N	8961301254
23.00.003	MAN	81.43601.0056 81.43601.0057 81.43601.0114 81.43601.0116	292/362H - 292/F - 362/F - SD242 - SG242	R	W010950191	727N	8961301254



CROSS REFERENCES



TT N°	OEM	OEM N°	APPLICATION	Pos.	FIRESTONE	CONTI	WABCO
23.00.003	MAN	81.43601.0056 81.43601.0057 81.43601.0114 81.43601.0116	TRUCK	F/R	W010950191	727N	8961301254
23.00.003	SCHMITZ	750212	TRAILER	-	W010950191	727N	8961301254
23.00.003	VAN HOOL	624.319.614	BUS	F/R	W010950191	727N	8961301254
23.00.003	VOLVO	113446	BUS	F/R	W010950191	727N	8961301254
23.00.009	SCANIA	255295 1314903 1402423	TRUCK	R	W01M586251		
23.00.014	SAF	32.290.031.00	TRAILER	-	W01M586348	4023NP03	9518147290
23.00.021	BPW	05.429.41.01.0	TRAILER	-	W01M588601	BPW36K	9518147010
23.00.022	BPW	05.429.41.01.0	TRAILER	-	W01M588601	4881MB	
23.00.025	BPW	05.429.40.91.0	TRAILER	-	W01M588613	940MB	9518117030
23.00.031	BPW	05.429.40.03.0	TRAILER	-	W01M588620	BPW30	9518117000
23.00.032	BPW	05.429.41.36.1 05.429.40.08.1	TRAILER	-	W01M588966	BPW36	
23.00.033	BPW	05.429.40.01.0	TRAILER	-	W01M588978	881MB	9518147080
23.00.036	SCANIA	1379392 1440294	4 SERIE TRUCK	-	W010950500	4913NP02	9518147530



