



WHEELS  
SAFETY  
NETWORK



WWW.JANTSA.COM

# INDEX

- 1 MAIN FACTS / COMPANY PROFILE
- 2 JANTSA WHEEL SIZE PRODUCT RANGE
- 4 MAIN DEFINITIONS
- 5 WHEEL SPECIFICATIONS
- 6 HOLE DETAILS
- 7 WHEEL CENTERING SYSTEMS
- 8 SAFETY & MOUNTING RECOMMENDATIONS
- 9 TUBELESS 15° DC WHEELS FOR COMMERCIAL AND AGRICULTURAL APPLICATIONS
- 14 ISPIT
- 15 IMPLEMENT WHEELS
- 20 GENERAL CONDITIONS OF SALE
- 21 MULTI-PIECE HEAVY DUTY TRUCK WHEELS
- 24 RIM, RING & COMBINED RING MATCHING
- 27 AGRO INDUSTRIAL & INDUSTRIAL VEHICLE WHEELS
- 31 TUBELESS & TUBE TYPE LIGHT COMMERCIAL UTILITY VEHICLE WHEELS
- 33 MULTI-PIECE AGRICULTURAL IMPLEMENT WHEELS FOR LOW SPEED APPLICATIONS
- 36 WARRANTY POLICY
- 37 CHART FOR PROPERLY MATCHING TRUCK TIRES TO RIMS / WHEELS



# MAIN FACTS



Name	JANTSA JANT SANAYII ve TICARET A.S.
Location	Organize Sanayi Bölgesi, 09630 Umurlu /Aydın / Turkey
Manufacturing Area	100.000 M2 in Umurlu / AYDIN
Manufacturing Facilities	<ul style="list-style-type: none"> <li>• Main production and headquarters (Aydın/Turkey)</li> <li>• TITAN-JANTSA joint production (TJ wheels)</li> <li>• JANTSA 2 (Production of lock and side rings)</li> </ul>
Annual Production Capacity	1.8 million wheels
Export Markets	More than 80 countries
Share of Export in Total Turnover	Approximately 75 %
Technical Cooperation Partners	LBF (Fraunhofer institute), Dokuz Eylül Univeristy, BV (Bureau Veritas), TÜBİTAK, TSE (Turkish standards institute), TÜV.
Production Range	<p><b>Wheels for commercial vehicles</b> (Trucks, Buses, Trailers)</p> <p><b>Wheels for industrial machines</b> (Cranes, Loaders, Graders, Excavators, Bulldozers, Forklifts, etc)</p> <p><b>Wheels for implementation / Agricultural machines</b> (Tractors, Foresters, Harvesters, Agricultural Mixers and Trailers, etc)</p> <p><b>Wheels for light commercial vehicles</b> (Pick up Trucks, Midibuses, etc)</p> <p><b>Wheels for military vehicles.</b></p>

# COMPANY PROFILE

JANTSA A.S., Turkey's largest wheel manufacturer, and one of the biggest companies operating in this field in Europe; was established in Atça (Turkey) in 1977. Currently JANTSA is one of leading companies in the world in variety of product range, shortest lead times in production and development of new products.

The company manufactures more than 250 sizes and 3000 different models of wheels. Annual production capacity of the company is 1.800.000 wheels, with approximately 75% being exported to over 80 countries all over the world.

Constant development of JANTSA is guaranteed by continuous investments in production process improvement, Quality, Research and Development activities and in human resources.

Road safety in many respects is dependent on quality of the wheel. Therefore JANTSA gives prime attention to quality assurance of its products at every stage of production. Quality Management System is implemented through all processes. Manufactured products are regularly tested at company laboratories, by international quality control organizations and during in-field performance tests by our customers.

JANTSA is able to develop and start production of new sizes in shortest terms, utilizing combination of automated and manual production and presence of in-house tooling shop .At every step of production JANTSA team is focused to manufacture wheels at a maximum efficiency level and highest quality, with respect to environment treatment and economical usage of resources. All production facilities of

JANTSA have passed environmental management certification, proved by ISO 14001 standard.

**Main purpose of JANTSA has always been and forever will be to satisfy expectations and requests of our customers from all over the world in quality, variety, service and price.**

# JANTS A WHEEL SIZE PRODUCT RANGE

Related Branches and Sizes	13	14	15	15,3	15,5	16	16,5	17	17,5	18	19	19,5	20	20,25	20,5	22	22,5	23	24	24,5	25	26	26,5	28	30	30,5	32	34	36	38	44
Tubeless, 15° DC Commercial/Agriculture									17,5				19,5	20	20,25	20,5			22,5	23											
									5,25				6,00	14,00	14,00	14,00			6,75	19,00											
									6,00				6,75						7,50												
									6,75				7,50						8,25												
									8,25				8,25						9,00												
									10,50				11,75						9,75												
									14,00				13,00						11,75												
													14,00						12,25												
																			13,00												
																			14,00												
																			15,00												
15° Tubeless Demountable Rims	ISPIT								17,5				22,5				24,5														
									6,00				7,5				8,25														
									6,75				8,25				9,00														
																	11,75														
Heavy Duty Tube-Type Demountable Rims	ISPIT								15				20				24														
									6,0				6,5				8,0														
									6,5				7,0				8,5														
									7,0				7,5																		
									7,5				8,0																		
													8,5																		
Implement Wheels	15	15,3	15,5	16	17	18	20	22,5	24	24,5	26	26,5	30,5	32																	
Flotation, Harvesty, Forestry, Agricultural	5,00	9,00	13,00	W6	13,00	W9	W9	16,00	DW16L	8,25	DWA20	20,00	20,00	DW21																	
	6LB	16,00	W7,5	16,00	W11	W11	W11	20,00	DW18L	13,00	DWA25	24,00	24,00	DW27																	
	8LB		W8		W13	W13	W13	24,00				28,00	28,00																		
	10LB						W14																								
	13LB																														
Multi-Piece Heavy Duty Truck Wheels	15				20	22	24																								
	6,0				6,0	8,0	8,0																								
	6,5				6,5		8,5																								
	7,0				7,0																										
	7,5				7,5																										
					8,0																										
					8,5																										
					9,0																										
					10,00																										
					10,00V																										
					11,00																										
Industrial Vehicle Wheels	15	16,5			20	24	25	26	28																						
	6,0	8,25			8,0	8,0	9,50	W15L	W14L																						
	6,5	9,75			8,5	8,5	10,00	W16L	W15L																						
	8,0	12,00			8,5V	9,00	11,25																								
	9,75				10,00V	10,0	12,00																								
					11,00	10,00W	12																								
						W13	13																								
						DW13	14,00																								
						DW14L	17,00																								
						W15L																									
Single Piece Tractor & Agricultural Wheels	15	16			18	19	24	28	30	34	36	38	44																		
	4,00x(1)	4,00			5,50	3,62	W7	W9	DW12	W15L	W9	DW10	W8																		
	8	4,50			6,00	4,50	W8	W10	W13		W10	W13																			
	10	5,00					W10	W11	W14L		W11	W14L																			
	13	5,50					W12	W12	DW14L		W12	DW12																			
							W13	W13	DW15L		W13	DW15L																			
							W14																								
							W15L																								
Tubeless & Tubetype Light Commercial Vehicle Wheels	13	14	15	16			20																								
	4J	5J	6JJ	4,50			5,50																								
	4,5J	5,5J		5,50																											
		6J		6,00																											
				6,50																											
Multi-Piece Agricultural Implement Wheels for Low Speed Applications	15			16			18	20																							
	6,00			5,50			13,0	5,50																							
	6,50			6,00				6,00																							
				6,50				6,50																							
								7,00																							
								10,0																							
								11,0																							
								13,0																							

## MAIN DEFINITIONS

Terms Rim, Disc and Wheel are often confused in daily life. In order to omit confusion it is important to understand difference between those definitions.

**Wheel** is a rotating component of the vehicle, which carries load of the car and passes the torque. Wheel is located between tire and hub. Most of Steel Wheels manufactured by JANTSA consist of rim and disc assembled together.

**Rim** is a part of the wheel which serves as seat for the tire. According to standard JANTSA practice, all rim sizes are given in inches. Rims can be classified in two groups: multi-piece and single-piece rims.

**Single-piece** rims consist of rim and disc.

**Multi-piece** rims consist of rim, disc, and rings mounted on the rim.

The type of rim can be easily identified in JANTSA catalogue by sign between measuring dimensions in inches :

"x" – for single-piece rims (22.5x11.75, 9.00x15.3 etc.)

"-" – for multi-piece rims (8.5-20, 17.00-25/1.7 etc.)

**Disc** serves as a connection part between wheel and hub (break drum/disc break) of the vehicle and is either welded or connected with bolts to the rim.

JANTSA is also manufacturing **Demountable rims** (discless wheels / spoke wheels) with adapter ring, spokes and clamps serving as a connection part of rim to the hub.

### SINGLE - PIECE DISC WHEEL



## WHEEL SPECIFICATIONS

1	Width of rim
2	Diameter of rim
3	Thickness of rim material
4	Thickness of disc material
5	Center hole diameter
6	PCD (Pitch Circle Diameter)
7	Bolt hole diameter
8	Offset (Half Dual Spacing)
9	Offset ET (Inset)
10	Valve hole diameter
11	Ventilation hole diameter
12	Countersink diameter

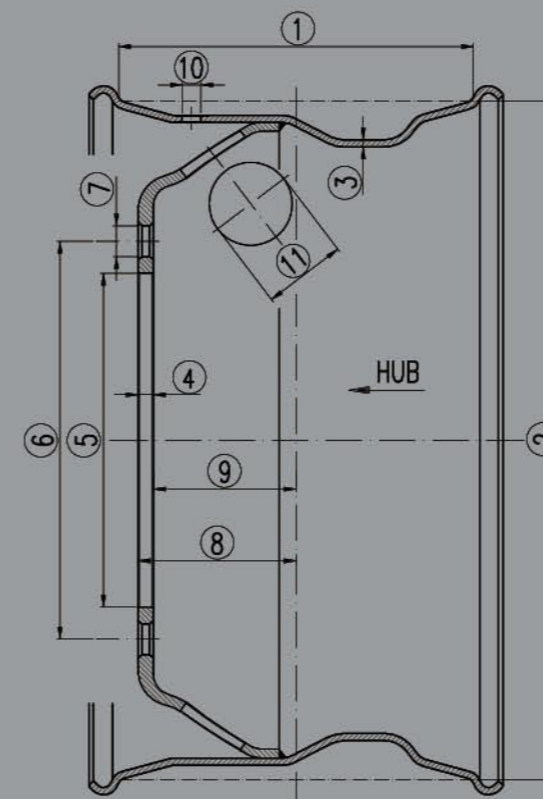
### DEMOUNTABLE RIM



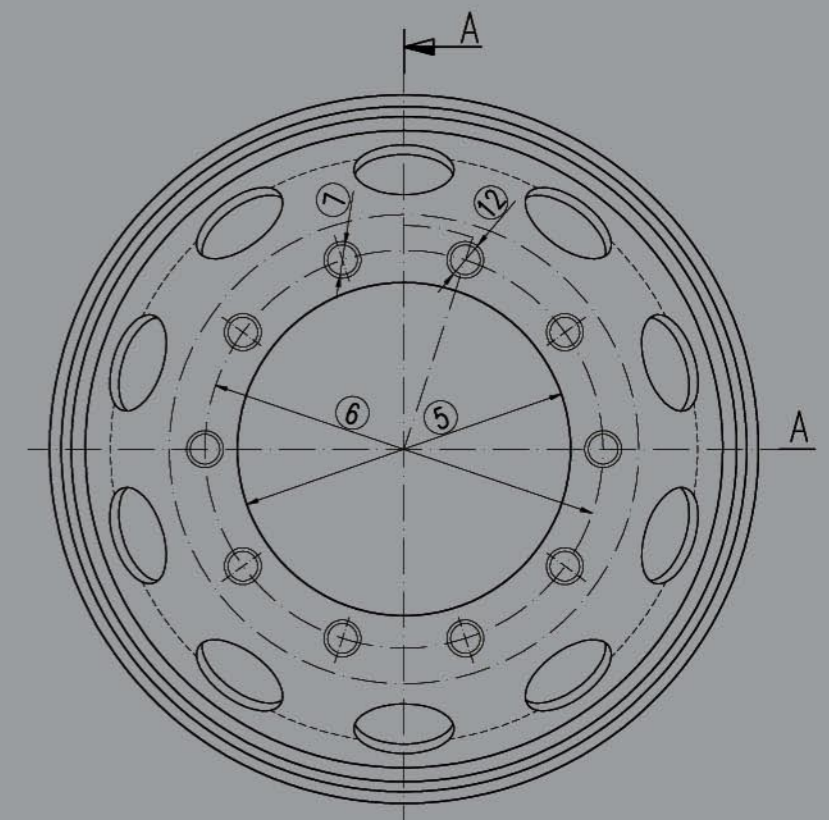
### MULTI - PIECE DISC WHEEL



### SIDE VIEW



### FRONT VIEW



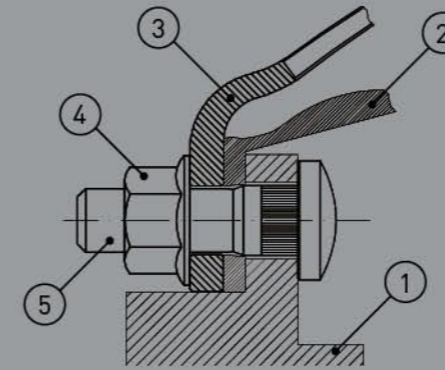
## SPHERICAL COUNTERSINK

Jantsa Standart	d2	d3	r	According to EUWA
1	18,5	24	14	B14 DS 28/B14 ES 28
2	21,5	27	16	B18 DS 32/B18 ES 32
3	27	32	18	B22 DS 36/B22 ES 36
4	20,5	25	14	
5	32,15	37	22,2	B19 DS 44,4/B19 ES 44,4
6	14	-	14	
7	15,5	-	14	
8	18,5	-	14	
9	20	-	14	
10	21	-	14	
11	20	-	12	
12	16	20	12	
26	15	20	13	
31	37	43	25	
33	26	32	18	M22 DS 36/M22 ES 36
34	29	34	22	

## CONICAL COUNTERSINK

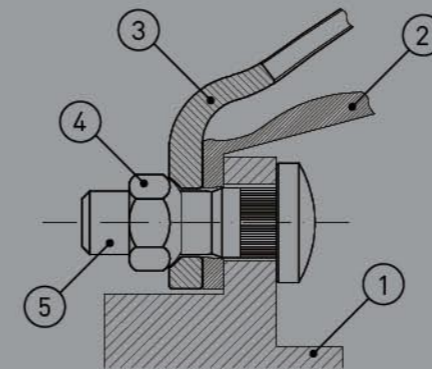
Jantsa Standart	d2	d3	$\alpha$	According to EUWA
13	14	19,8	60°	
14	16	19,8	60°	
15	16	22	90°	
16	14,2	-	60°	
17	25,4	31,5	80°	B23 DC 80/B23 EC 80
18	18,5	-	60°	
19	16,8	-	60°	
20	28,6	36	90°	
21	21,5	27	90°	
22	12	-	80°	
23	-	17	60°	
24	13	16	90°	
25	10,5	-	60°	
37	26	31,5	80°	M23 DS 80/M23 EC 80
38	16,3	-	90°	

## HUB CENTERED WHEEL



- 1 - Hub
- 2 - Drum
- 3 - Disc
- 4 - Nut
- 5 - Bolt

## STUD CENTERED WHEEL



The common types of mounting systems are Stud centered, Hub centered and Double centered.

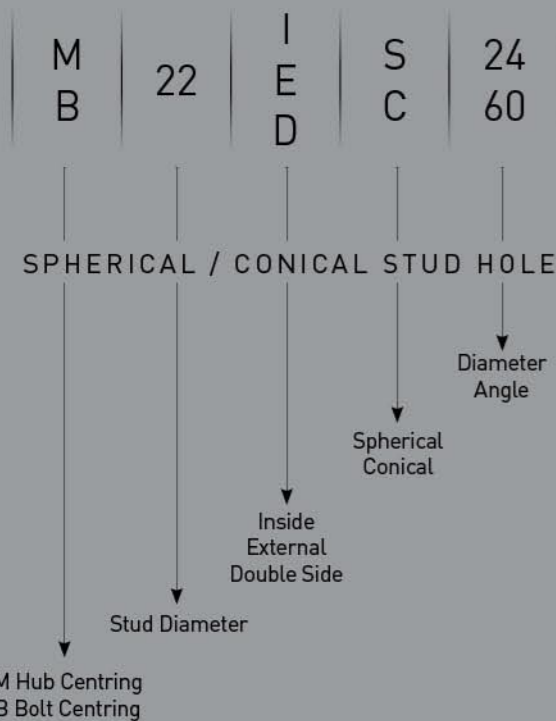
Stud centered system uses the studs on the wheel hub to guide and center the wheel. Chamfered bolt holes identify a stud centered wheel. These wheels are designed to be centered by conical or spherical nuts on the studs.

Hub centered systems use the actual wheel hub to guide and center the wheel. Hub centered wheels generally have straight bolt holes with no ball seat for nuts with flat washer (flange nuts). This feature provides a visual way of hub piloted wheels. These wheels require narrow tolerance of center hole dimensions.

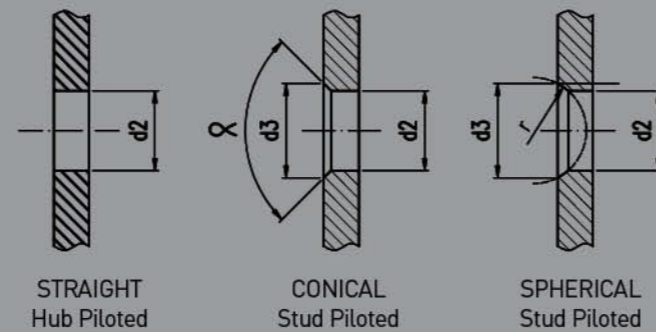
Double centered mounting systems use both wheel hub and studs to guide and center the wheel. These wheels have bolt holes with countersinks together with center hole with a narrow tolerance. They mostly use spherical or conical nuts, but flange nuts like for hub-centered wheels can be also used.

It is imperative to use right components for each type of mounting and to fit wheels to the proper hubs. Mixing components of different mounting systems can lead to breaking of studs, decrease of torque, cracks on wheels and eventually wheel slippage.

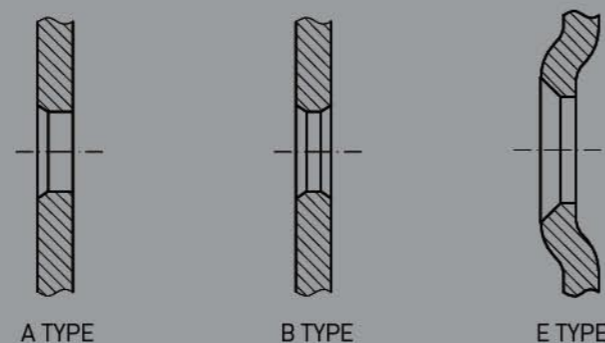
## EUWA STUD HOLE CODE



## COUNTERSINK TYPE

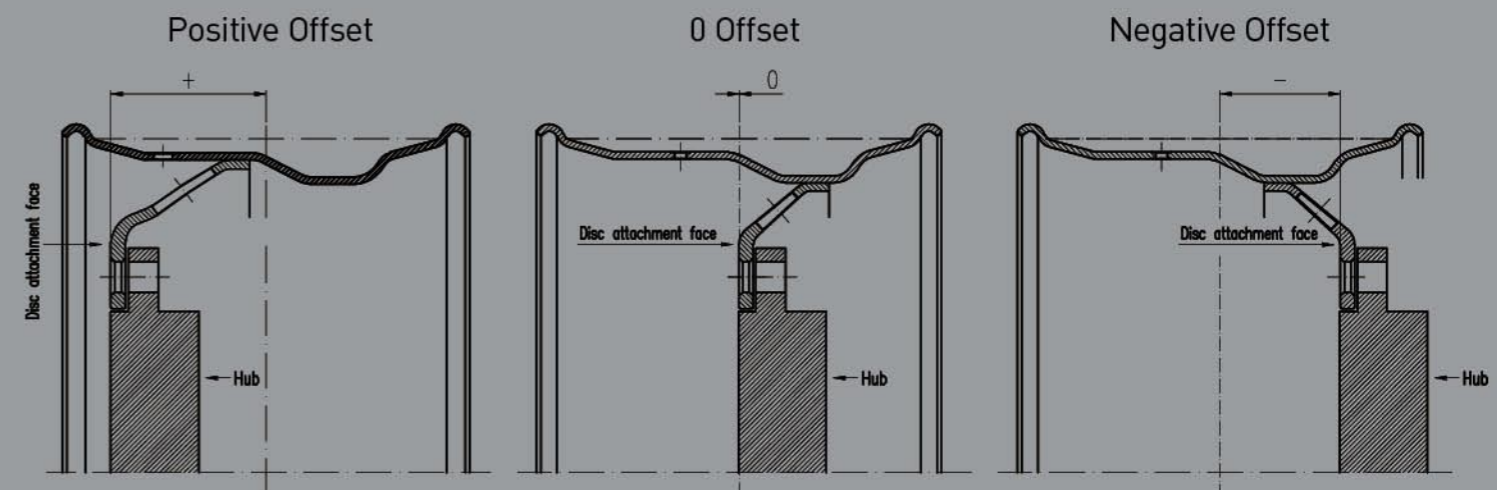


## BOLT HOLE TYPE



## OFFSET

One of the most important dimensions of the disc wheel is **Offset**. As per JANTSAs classification offset is a dimension from imaginary rim center line to outer disc surface. Disc wheel offset can be positive, negative or so-called "0-offset", please see pictures below for explanations.



For dual mounting applications Offset equals to "half dual spacing". Dual spacing is a distance between center lines of two imaginary rims in dual mounting. Values of tire clearance, overall vehicle width of tires, vehicle clearance and in some cases overall vehicle width are determined by dual spacing. Therefore, values of minimum dual spacing are regulated by a number of standards, including ETRTO and TR&A.

Another measurement, commonly used by many manufacturers is **Offset ET** (from German "Einpresstiefe" or so called "inset") which is a dimension from imaginary rim center line to inner disc attachment surface. Difference between value of Offset and Offset ET equals disc thickness of the wheel.

## SAFETY & MOUNTING RECOMMENDATIONS

It is important to handle wheels with maximum care, and pay special attention to its safe usage; **mounting, demounting and service**. Users have to follow all conditions and norms according to industry, national and international regulations. As JANTSA we will try to point out just those which we consider as the most common and important.

Before servicing, disc wheels have to be checked for following **possible damages**:

- Cracks on the disc and/or rim
- Asymmetric shape of disc contact surface
- Deformed stud holes
- Deformed flanges
- Excessive corrosion
- Excessive wear
- Damaged rings of multi-piece wheels

Using wheels/components under these conditions is strictly forbidden. Damaged parts should be replaced.

While **mounting the wheel on a hub** you have to ensure that all surfaces are clean, free from rust and deposits. Elements of different mounting types should not be confused, since this may result in loss of torque, disc surface cracks, bolts and studs damage, and loss of wheel. Applied torque level should correspond to instructions of vehicle manufacturer. Nuts installation has to be done crosswise, with gradual increase of torque level. Tightening of nuts on the wheel has to be checked 100 km after first installation and regularly during usage.

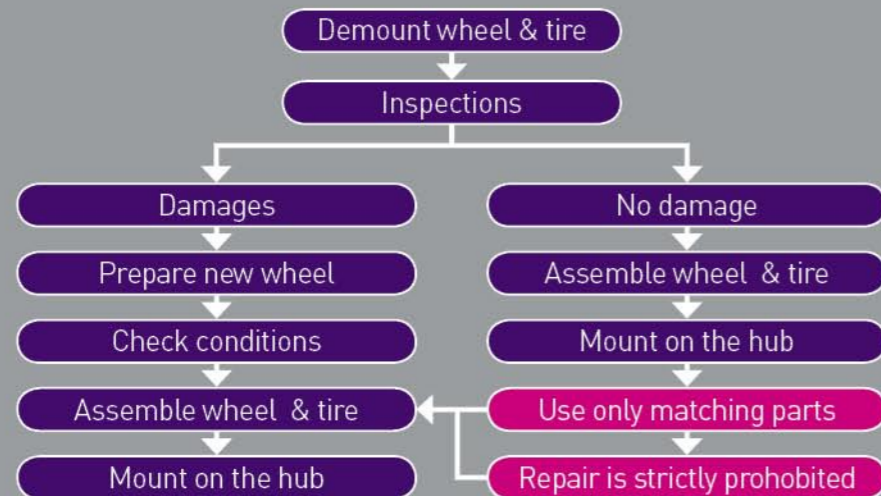
**Mounting and Demounting of tire on the wheel** has to be done by qualified personnel in well-equipped service points, according to specifications and procedures stipulated by ETRTO, TRA and other industry, national and international regulations. You have to ensure that all surfaces are clean, free from rust and deposits. It is crucial to match properly wheel and tire sizes according to above mentioned standards and recommendations of the vehicle manufacturer. Mismatch can result in serious damages and injuries. Diameter shown on the tire should exactly match the diameter stamped on the rim/wheel. Tires must be completely deflated before demounting wheel, or components of the wheel from the vehicle. Avoid standing in front of multi-piece wheels during assembly: damaged components might spring off.

Mixing components of various manufactures may result in fatal injuries, therefore only matching parts of one manufacturer and one wheel system can be assembled. It is important to note that Jantsa brand lock and side rings are not interchangeable with any other brand rings.

**Repair or of steel wheels** is strictly prohibited. Especially dangerous is:

- Welding of rims or wheels
- Repair of damaged stud holes
- Repair of deformed center hole
- Straightening of disc contact surface
- Straightening of rim flanges

### WHEEL SERVICE GUIDE

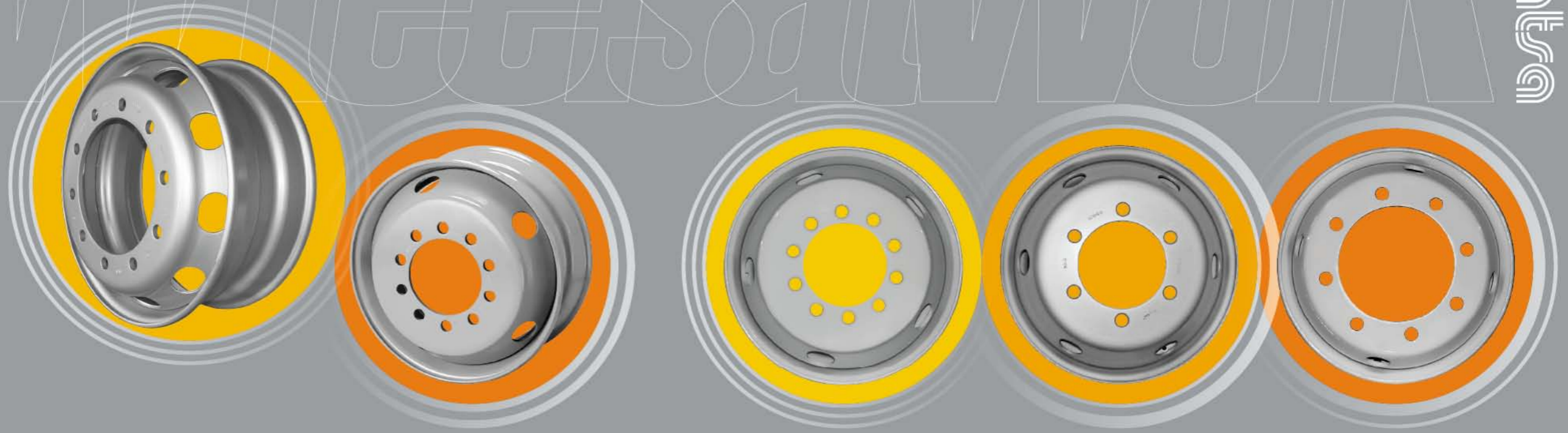


TUBELESS 15°  
DC WHEELS FOR  
COMMERCIAL AND  
AGRICULTURAL  
APPLICATIONS

TİCARİ VE ZİRAİ  
UYGULAMALAR İÇİN  
15° EĞİMLİ TUBELESS  
JANTLAR

# TUBELESS 15° DC WHEELS FOR COMMERCIAL VEHICLES

## TİCARİ ARAÇLAR İÇİN 15° EĞİMLİ TUBELESS JANTLAR



### TECHNICAL SPECIFICATIONS / TEKNİK ÖZELLİKLER

RIM DIAMETER JANT ÇAPı	WHEEL SIZE JANT EBADı	TIRE SIZE LASTİK EBADı	JANTSA PART NUMBER JANTSA KOD	CENTER HOLE (mm) PORYA ÇAPı	P.C.D. (mm) BIJON EKSEN ÇAPı	HOLE TYPE BIJON TİPİ (mm)	NUMBER OF BOLT HOLES BIJON SAYISI	OFFSET OFSET (mm)	LOAD CAPACITY @ TAŞIMA KAPASİTESİ 100 Km/h
17,5"	17,5x5,25	7 R 17,5	525100	161	205	B2	6	124	1600
			525104	161	205	A2	6	0	1600
			525108	150	208	Ø32.5/37/R22	5	115	1300
			525110	176	225	B33	10	116	1850
			525111	146	203,2	Ø29mm 60°	5	115	1300
	17,5x6,00	8 R 17,5	600100	161	205	B17	6	130	1900
			600101	176	225	B33	10	133	2100
		8,5 R 17,5	600102	146	203,2	B34	5	127	1750
			600103	161	205	B2	6	127	1900
		9 R 17,5	600107	150	208	Ø32.5/37/R22	5	128	1800
			600108	164	222,25	B3	6	128	2300
		215 / 75 R 17,5	600119	146	203,2	Ø32.5/37/R22	5	115	2100
			600124	164	222,25	Ø32.5/37/R22	6	135	2300
		225 / 75 R 17,5	600136	146	203,2	Ø32.5/37/R22	5	115	2150
			600137	150	208	Ø32.5/37/R22	5	115	2200
	600174		221	275	Ø24mm	8	134	2200	
	17,5x6,75	9 R 17,5	675100	161	205	B2	6	145	2000
			675101	176	225	B3	10	145	2725
		9,5 R 17,5	675102	176	225	B33	10	145	2725
			675109	202	245,2	Ø21,5mm	6	140	2150
		10 R 17,5	675116	164	222,25	Ø32.5/37/R22	6	135	2450
			675128	161	205	A2	6	0	2725
		215 / 75 R 17,5	675135	203,2	241,3	Ø16,5mm	9	28,5	2000
			675151	176	225	Ø26mm	10	145	2725
		225 / 75 R 17,5	675158	min120,95/ max121,1	165,1	Ø17,4	8	4,8 inset	2650
			675181	165,1	222,25	Ø31,7mm/R22,2	10	157	2500
	235 / 75 R 17,5	675703	221	275	Ø26	8	142	2550	

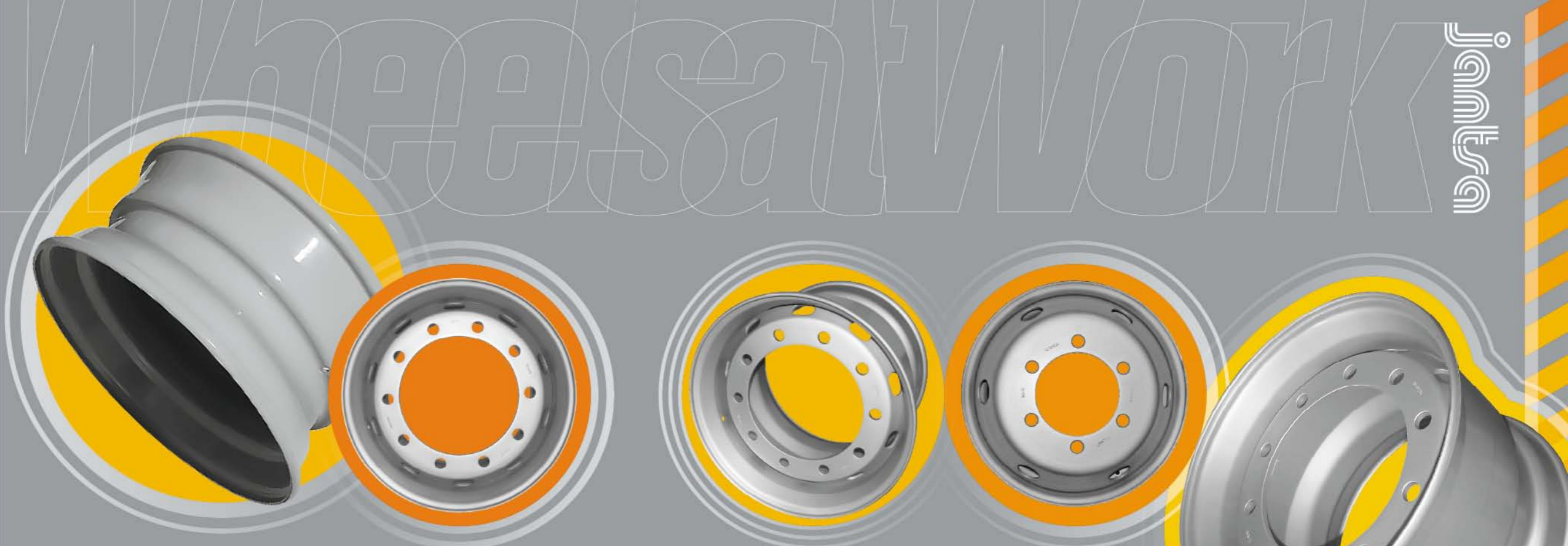
Not all items are listed in this catalog. Please contact us for any application that you do not see in this catalog.

### TECHNICAL SPECIFICATIONS / TEKNİK ÖZELLİKLER

RIM DIAMETER JANT ÇAPı	WHEEL SIZE JANT EBADı	TIRE SIZE LASTİK EBADı	JANTSA PART NUMBER JANTSA KOD	CENTER HOLE (mm) PORYA ÇAPı	P.C.D. (mm) BIJON EKSEN ÇAPı	HOLE TYPE BIJON TİPİ (mm)	NUMBER OF BOLT HOLES BIJON SAYISI	OFFSET OFSET (mm)	LOAD CAPACITY @ TAŞIMA KAPASİTESİ 100 Km/h
19,5"	19,5x6,00	8,00 R 19,5	600191	153,2	203,2	Ø32.5/37/R22	5	135	1800
			600196	125,1	170	Ø15,9	8	94	1800
			600199	127	165,1	Ø16,6/23,3/90°	8	106,5	1800
	19,5x6,75	9,5 R 19,5	675189	221	275	B3	8	145	2500
			675191	164	222,25	Ø32.5/37/R22	6	145	2400
		245 / 70 R 19,5	675197	176	225	B33	10	145	2600
			675503	125,1	170	Ø16.2mm	8	0	2250
		9,5 R 19,5	675504	221	275	Ø24mm	8	145	2250
			750190	176	225	Ø26mm	10	150	2800
	19,5x7,50	10 R 19,5	750193	221	275	B2	8	156	2650
			750198	164	222,25	B5	6	155	2550
		245 / 70 R 19,5	750329	161	205	Ø32.5/37/R22	6	156	2550
			750337	220	285,75	Ø26	10	156	2600
		11 R 19,5	750338	221	275	B17	8	156	2600
			750362	220	285,75	Ø26mm	10	162,5	3050
	19,5x8,25	285 / 70 R 19,5	825102	176	225	Ø26mm	10	164	3100
			825111	221	275	Ø24mm	8	164	3000
	19,5x11,75	15 R 19,5	111950	221	275	Ø26mm	8	0	4250
			111958	281	335	Ø26mm	10	0	4300
	19,5x13,00	425 / 65 R 19,5	131952	281	335	Ø26mm	10	63	4400
			131953	221	275	A3	8	0	4300
			141950	221	275	Ø24mm	8	0	4500
	19,5x14,00	445 / 65 R 19,5	141952	281	335	B3	10	0	4650
			141958	281	335	B33	10	0	4500
141977			221	275	Ø26mm	8	0	4600	

**TUBELESS 15° DC WHEELS  
FOR COMMERCIAL AND  
AGRICULTURAL APPLICATIONS**

**TİCARİ VE ZİRAİ UYGULAMALAR  
İÇİN 15° EĞİMLİ TUBELESS  
JANTLAR**



**TECHNICAL SPECIFICATIONS / TEKNİK ÖZELLİKLER**

RIM DIAMETER JANT ÇAP	WHEEL SIZE JANT EBADI	TIRE SIZE LASTİK EBADI	JANTSA PART NUMBER JANTSA KOD	CENTER HOLE (mm) PORYA ÇAP	P.C.D. (mm) BIJON EKSEN ÇAP	HOLE TYPE BIJON TİPİ (mm)	NUMBER OF BOLT HOLES BIJON SAYISI	OFFSET OFSET (mm)	LOAD CAPACITY @ TAŞIMA KAPASİTESİ 100 Km/h	
22,5"	22,5x7,50	10 R 22,5	750201	221	275	A2	8	0	3250	
			750202	161	205	A2	6	0	3100	
		11 R 22,5	750203	281	335	B3	10	153	3400	
			750204	221	275	B2	8	153	3300	
		275 / 80 R 22,5	750206	281	335	Ø26mm	10	153	3400	
			750222	220	285,75	Ø26mm	10	163,5	3000	
	275 / 70 R 22,5	750240	221	275	B17	8	153	3300		
		750243	165,1	222,25	Ø19,8mm	6	0	2900		
	22,5x8,25	11 R 22,5	825201	281	335	B3	10	165	3750	
			825202	281	335	Ø26mm	10	165	3750	
			825206	281	335	Ø26mm	10	0	3600	
		275 / 80 R 22,5	825208	221	275	B17	8	6,5	3500	
			825213	221	*285*	Ø32.5/37/R22	8	163	3650	
			825231	221	285,75	Ø32.5/37/R22	10	165	3360	
		295 / 70 R 22,5	825252	221,6	285,75	Ø32.5/37/R22	10	168	3400	
			825272	220	285,75	Ø26mm	10	168	3400	
			825273	281	335	Ø26mm	10	171,5	3750	
			825279	220	285,75	Ø26mm	10	168	3360	
			12 R 22,5	900249	281	335	Ø26mm	10	175	4000
				13 R 22,5	900250	281	335	B3	10	175
	900255	221			*285*	B5	8	175	4000	
	22,5x9,00	315 / 70 R 22,5	900229	220	285,75	Ø26mm	10	178	4090	
			900229	220	285,75	Ø26mm	10	178	4090	
		295 / 75 R 22,5	900251	221,5	285,75	Ø32.5/37/R22	10	178	4000	
			900275	220	285,75	Ø28,5mm	10	inset133,5	4550	
		315 / 80 R 22,5	900295	220	285,75	Ø26mm	10	178	4550	

Not all items are listed in this catalog. Please contact us for any application that you do not see in this catalog.

**TECHNICAL SPECIFICATIONS / TEKNİK ÖZELLİKLER**

RIM DIAMETER JANT ÇAP	WHEEL SIZE JANT EBADI	TIRE SIZE LASTİK EBADI	JANTSA PART NUMBER JANTSA KOD	CENTER HOLE (mm) PORYA ÇAP	P.C.D. (mm) BIJON EKSEN ÇAP	HOLE TYPE BIJON TİPİ (mm)	NUMBER OF BOLT HOLES BIJON SAYISI	OFFSET OFSET (mm)	LOAD CAPACITY @ TAŞIMA KAPASİTESİ 100 Km/h		
22,5"	22,5x9,75	13 R 22,5	975201	281	335	Ø26mm	10	180	4250		
			975202	281	335	B3	10	180	4250		
	22,5x11,75	15 R 22,5	117599	281	335	Ø26mm	10	Inset 135	4500		
			117665	281	335	Ø26mm	20	Inset 120	4500		
		365 / 70 R 22,5	117667	281	335	Ø26mm	20	0	4500		
		385 / 65 R 22,5	117668	281	335	Ø26mm	10	Inset 50	4500		
	22,5x12,25	385 / 65 R 22,5	122502	291	335	A-Ø21/Ø36,8	5	41	4800		
			122513	220	285,75	Ø26mm	10	0	5180		
			122517	221,5	285,75	Ø32.5/37/R22	10	Inset 101,5	5180		
			122518	221,5	285,75	Ø32.5/37/R22	10	Inset 120,5	5180		
	22,5x13,00	16,5 R 22,5 425 / 65 R 22,5	130207	281	335	Ø26mm	10	0	5150		
			130257	220	285,75	Ø26	10	Inset 133,5	5200		
			130258	220	285,75	Ø26	10	16	5200		
			130263	281	335	B3	10	Inset 130	5150		
			22,5x14,00	18 R 22,5 465 / 65 R 22,5	140203	281	335	B33	10	0	5600
					140206	281	335	Ø26mm	10	0	5600
	24,5"	24,5x8,25	12 R 24,5	140248	220	285,75	Ø26mm	10	Negative 51	5750	
				140253	281	335	B3	10	90	5600	
				140254	281	335	B3	10	120	5600	
				245827	220	285,75	Ø26mm	10	168	3700	
			245828	221,5	285,75	Ø31.8/37/R22	10	168	3320		
			245829	223,9	285,75	Ø31.8/37/R22	10	168	3700		
			245832	220	285,75	Ø26mm	10	168	3320		



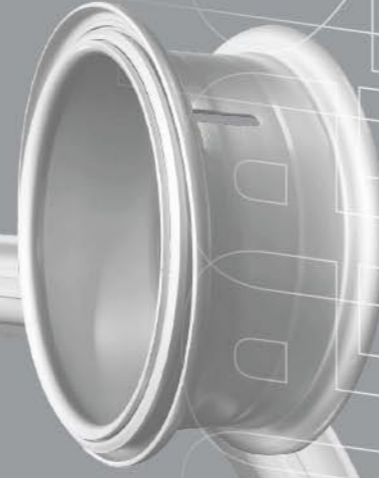
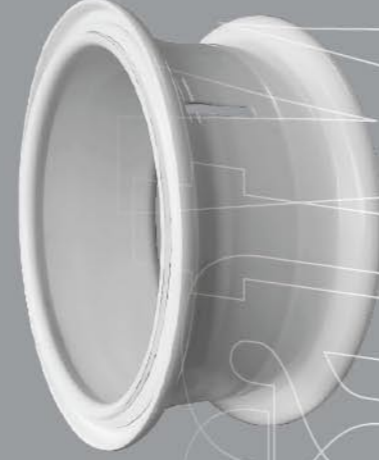
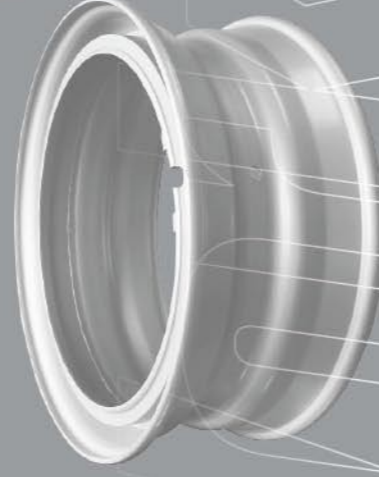
15° TUBELESS  
DEMOUNTABLE RIMS

15° EĞİMLİ TUBELESS  
MONTAJ PARÇALARI

TECHNICAL SPECIFICATIONS / TEKNİK ÖZELLİKLER

RIM SIZE JANT ÇAPI	JANTSA PART NUMBER JANTS KOD	RIM OFFSET OFSET	RECOMMENDED VALVE
17,5 x 6,00	600900	93	TR572
17,5 x 6,75	675900	100	TR572
22,5 x 7,50	750900	115	V3.14.3
22,5 x 8,25	825900	120	V3.14.3
	825901	107	TR573
	825902	120	TR573
22,5 x 9,00	900900	120	V3.14.3
	900901	127	TR574

jant



HEAVY DUTY TUBE  
TYPE DEMOUNTABLE RIMS

AĞIR VASITA MONTAJ  
PARÇALARI

RIM SIZE JANT ÇAPI	JANTSA PART NUMBER JANTS KOD	TIRE SIZE LASTİK EBADI
6,0-15	0250	750-15
6,5-15	0252	825-15
7,0-15	0254	900-15
7,5-15	0256	1000-15
6,5-20	01207	825-20
7,0-20	0257	900-20
7,5-20	0775	1000-20
8,0-20	0468	1100-20
8,0-22	01243	1100-22
8,5-20	0794	1200-20
8,0-24	0467	1100-24
8,5-24	0516	1200-24



jant

IMPLEMENT WHEELS

FLOTATION  
HARVESTY  
FORESTRY  
AGRICULTURAL

ÖZEL EKİPMAN JANTLARI

GENİŞ TABAN  
BİÇER DÖVER  
ORMANLIK ARAZI  
ZİRAİ

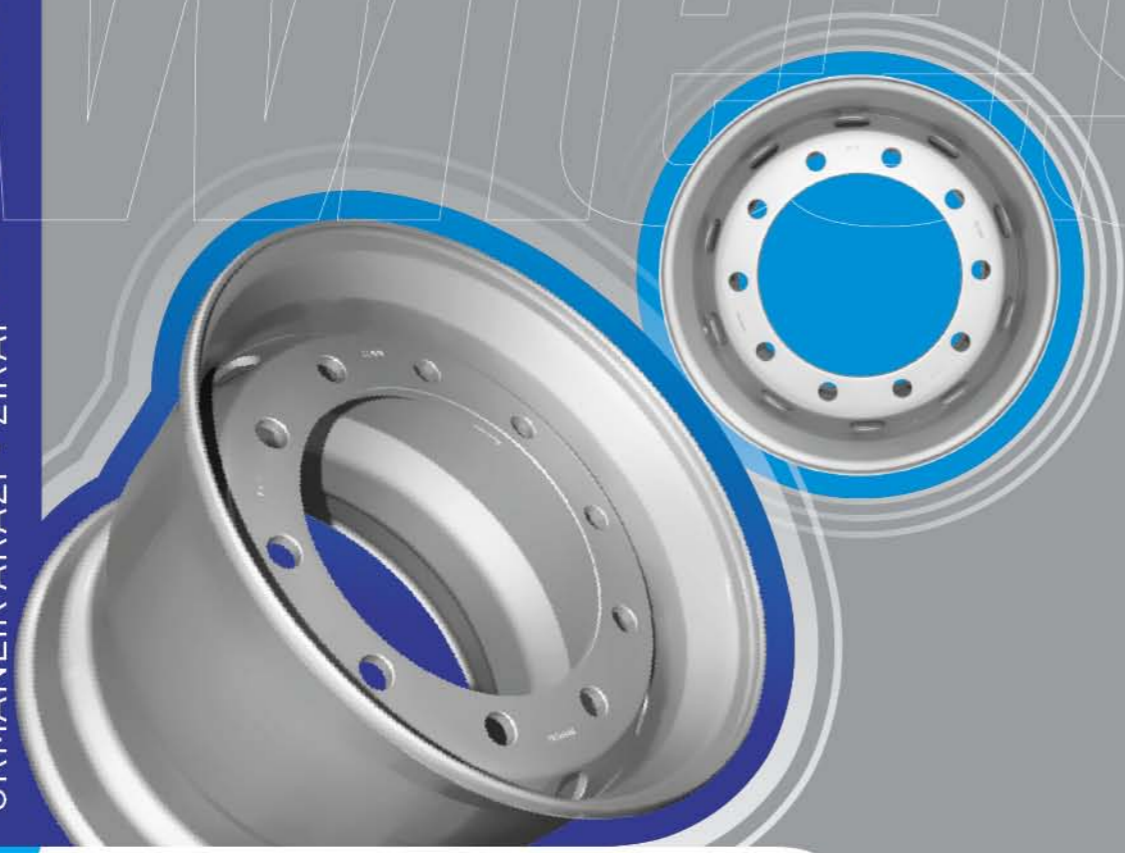


WheelSatiWork

WWW.JANTSA.COM

IMPLEMENT WHEELS  
FLOTATION • HARVESTY  
FORESTRY • AGRICULTURAL

ÖZEL EKİPMAN JANTLARI  
GENİŞ TABAN • BIÇER DÖVER  
ORMANLIK ARAZI • ZİRAİ



TECHNICAL SPECIFICATIONS / TEKNİK ÖZELLİKLER

RIM DIAMETER JANT ÇAPİ	WHEEL SIZE JANT EBADİ	TIRE SIZE LASTİK EBADİ	JANTSA PART NUMBER JANTSA KOD	CENTER HOLE (mm) PORYA ÇAPİ	P.C.D. (mm) BIJON EKSEN ÇAPİ	HOLE TYPE BIJON TİPİ	NUMBER OF BOLT HOLES BIJON SAYISI	OFFSET OFSET (mm)		
17,5"	17.5x6.75	9 R 17,5	675108	161	205	A2	6	0		
		9,5 R 17,5	675139	221	275	B2	8	141		
		10 R 17,5	675142	161	205	A2	6	0		
		215 / 75 R 17,5	675143	161	205	B2	6	145		
		225 / 75 R 17,5	675162	121,3	165,1	Ø17,4 mm	8	0		
		235 / 75 R 17,5	675708	221	275	A2	8	0		
	17.5x10.5	14 R 17.5		105175	273	314,3	Ø17,4 mm Ø21,6 mm r=90°	8	0	
				105177	202	241,3	Ø17,4 mm Ø23,8 mm r=90°	9	26,5	
				105178	221	275	A3	8	0	
	18"	W9x18	10,5/80-18 12,5/80-18	18902	161	205	A2	6	0	
18910				290,5	335	A-Ø21,5/38 R22,4	5	18		
18921				221	275	A-Ø22/37/R22	4	Inset 32		
11180				161	205	A2	6	0		
W11x18		13,0/65-18		11183	221	275	A2	8	0	
				11187	221	275	A2	8	0	
				13181	221	275	A2	8	0	
W13x18		15,0/70-18 15,5/55-18		13182	161	205	A2	6	0	
			19.5X7.50	9,5 R 19,5 10 R 19,5	750194	161	205	A2	6	0
					750195	221	275	A2	8	0
19,5"	19.5x8.25	285/70 R 19,5	825100	161	205	A2	6	0		
			825101	221	275	A2	8	0		
			750301	161	205	A2	6	0		
	19.5x11.75	15 R 19.5		111953	161	205	A2	6	0	
				111954	221	275	A2	8	0	
				131961	221	275	A2	8	0	
	19.5x13.00	425/65 R 19,5		131962	161	205	A2	6	0	
				141956	161	205	A2	6	0	
				141957	221	275	A2	8	0	
				141986	176	225	A3	10	0	
20"	W9x20	10,5-20	92002	161	205	A2	6	0		
			92003	221	275	A2	8	0		
	W11x20	12,5/14,5-20		20112	221	275	A2	8	0	
				20115	161	205	A2	6	0	
				20134	161	205	A2	6	0	
	W13x20	16-20		20135	221	275	A2	8	0	
				20136	221	275	A3	8	Negative 75	
				14201	221	275	A2	8	0	
	W14x20	16,0/70-20		14205	221	275	Ø21	8	Negative 45	

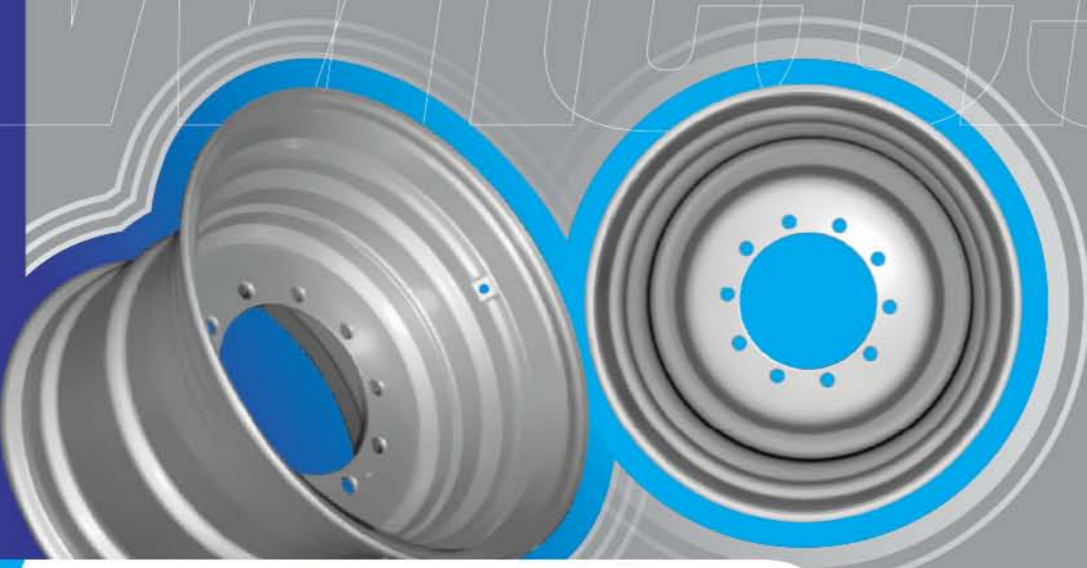
TECHNICAL SPECIFICATIONS / TEKNİK ÖZELLİKLER

RIM DIAMETER JANT ÇAPİ	WHEEL SIZE JANT EBADİ	TIRE SIZE LASTİK EBADİ	JANTSA PART NUMBER JANTSA KOD	CENTER HOLE (mm) PORYA ÇAPİ	P.C.D. (mm) BIJON EKSEN ÇAPİ	HOLE TYPE BIJON TİPİ	NUMBER OF BOLT HOLES BIJON SAYISI	OFFSET OFSET (mm)
15"	6LBx15	7,00-15	15600	114,3	152,4	B-Ø15/18.5/90°	6	Inset 29
		7,50-15 TR	15601	190,85	241,3	A-17,5/23,8/90°	8	6,5
	8LBx15	225 / 70 R 15 235 / 70 R 15	15800	79,5	114,3	A-Ø13,5/18.5/60°	5	0
			15801	115	165	A-Ø18,5/25/80°	5	0
	10LBx15	29x12,5 - 15 29x13,5 - 15	15802	117,5	152,4	Ø17,5mm	6	Negative 21,5
			10150	90	150	Ø15,5mm	6	Negative 42
			10151	94	140	Ø15mm	5	Negative 25
			10154	93,5	140	Ø17,5mm	10	Inset 51
			13150	93,1	140	Ø15,8mm	10	Inset 30
			13152	201,6	241,3	A-Ø17,5/22/90°	9	Inset 50,5
13LBx15	31x15,5 - 15 33x15,5 - 15	13155	117,4	152,4	A-Ø15/20/90°	6	Negative 6,5	
		13157	123,5	165,1	A-Ø17,5/25,4/82°	8	0	
		91531	94	140	A1	5	0	
		91535	161	205	A2	6	0	
15.3"	9X15.3	10,0 / 11,5 - 15,3 10,0 / 75 - 15,3 12,5 / 80 - 15,3	91548	90	125	Ø16 mm	5	15
			130155	161	205	A2	6	0
			130156	161	205	A2	6	Negative 35
16"	W6x16	215 / 65 - 16	16600	142,9	184,1	A-Ø18/25,4/90°	6	21,5
			16603	142	184,1	Ø17/25,4/90°	6	21,8
			16604	90	150	Ø15,5 mm	6	Inset 49
			16807	110	160	A1	5	0
	W8x16	10,5 / 65 - 16 230 / 80 - 16	16811	84	130	A1	5	25
			16819	161	205	A2	6	0
17"	13x17	15,0 / 55-17	130170	161	205	A2	6	0
	16x17	19 / 45-17 48,0 / 45-17	160170	161	205	A2	6	0

Not all items are listed in this catalog. Please contact us for any application that you do not see in this catalog.

IMPLEMENT WHEELS  
FLOTATION • HARVESTY  
FORESTRY • AGRICULTURAL

ÖZEL EKİPMAN JANTLARI  
GENİŞ TABAN • BIÇER DÖVER  
ORMANLIK ARAZI • ZİRAİ



TECHNICAL SPECIFICATIONS / TEKNİK ÖZELLİKLER

RIM DIAMETER JANT ÇAPİ	WHEEL SIZE JANT EBADİ	TIRE SIZE LASTİK EBADİ	JANTSA PART NUMBER JANTSA KOD	CENTER HOLE (mm) PORYA ÇAPİ	P.C.D. (mm) BIJON EKSEN ÇAPİ	HOLE TYPE BIJON TİPİ	NUMBER OF BOLT HOLES BIJON SAYISI	OFFSET OFSET (mm)
22,5"	22.5x7.50	275 / 80 R 22.5	750201	221	275	A2	8	0
		11 R 22.5	750202	161	205	A2	6	0
	22.5x8.25	275 / 80 R 22,5	825204	161	205	A2	6	0
		295 / 80 R 22,5	825205	221	275	A2	8	0
	22.5x9.00	315 / 70 R 22,5	825224	152,4	203,2	17/23/90°	8	0
		12 R 22,5	900211	161	205	A2	6	0
		13 R 22,5	900212	221	275	A2	8	0
	22.5x11.75	295 / 80 R 22,5	900234	281	335	A3	10	0
		15 R 22,5	117559	281	335	B3	10	0
		365 / 70 R 22,5	117560	221	275	A2	8	0
	22.5x13.00	16,5 R 22,5 425 / 65 R 22,5	117561	221	275	A2	6	0
			117561	161	205	A2	6	0
			117579	221	275	A3	8	0
	22.5x14.00	18 R 22,5 465 / 65 R 22,5	130224	221	275	A2	8	0
			130229	161	205	B2	6	0
			130245	281	335	A3	10	0
	22.5x15.00	500 / 45-22,5 500 / 60-22,5	140216	221	275	A2	8	0
			140219	281	335	A3	10	0
	16.00x22.5	550 / 60-22,5 500 / 45-22,5	150201	281	335	Ø26mm	10	Inset 120mm
			150202	281	335	Ø26mm	10	0
			162295	281	335	A3	10	0
			162321	281	335	B3	10	Inset 50
			162328	161	205	A2	6	0
			162342	281	335	B33	10	0
20.00x22.5	600 / 55-22,5 650 / 50 R-22,5	162344	221	275	A3	8	Negative 50	
		200226	281	335	A3	10	0	
		200227	281	335	A3	10	Negative 50	
		200228	221	275	A2	8	Negative 100	
24.00x22.5	700 / 50-22,5	240225	221	275	A2	8	0	
		240226	281	335	A3	10	0	
		240227	281	335	B3	10	Negative 100	
		240228	281	335	A3	10	Negative 50	

TECHNICAL SPECIFICATIONS / TEKNİK ÖZELLİKLER

RIM DIAMETER JANT ÇAPİ	WHEEL SIZE JANT EBADİ	TIRE SIZE LASTİK EBADİ	JANTSA PART NUMBER JANTSA KOD	CENTER HOLE (mm) PORYA ÇAPİ	P.C.D. (mm) BIJON EKSEN ÇAPİ	HOLE TYPE BIJON TİPİ	NUMBER OF BOLT HOLES BIJON SAYISI	OFFSET OFSET (mm)
24,5"	24.5x13.00	16,5 R 24,5 425 / 65 R 24,5	245130	281	335	Ø30.1/36.5/R22.2	10	0
26"	DW20Ax26 DW25Ax26	23.10-26 24 L-26 28 L-26 30.50 L-26	20260	281	335	A3	10	0
			20264	221	275	A2	8	Negative 50
26.5"	20.00x26.5	600 / 55-26,5	25260	281	335	A3	10	0
			25265	221	275	A2	8	Negative 100
	24.00x26.5	700 / 50-26,5	200267	221	275	B2	8	Negative 50
			200270	281	335	A3	10	Negative 50
			200271	281	335	B3	10	0
			240265	221	275	B2	8	Negative 50
			240266	281	335	A3	10	0
			240267	281	275	B3	10	Negative 50
			240278	221	275	A2	8	Negative 100
			280265	281	335	A2	10	0
28.00x26.5	800 / 45-26,5	280275	221	275	B2	8	Negative 100	
		200307	221	275	A2	8	0	
30,5"	20.00x30.5	600 / 55-30.5 800 / 60-30.5	200312	281	335	A3	10	0
			200313	281	335	A3	10	Negative 50
	24.00x30.5	650 / 80-30.5 700 / 50-30.5 750 / 60-30.5	240305	281	275	A2	8	100
			240312	281	335	A3	10	0
			240313	221	335	A3	10	Negative 50
	28.00x30.5	800 / 45-30.5 800 / 55-30.5 850 / 50-30.5	280306	221	275	A2	8	50
			280309	221	275	A2	8	Negative 100
			280312	281	335	A3	10	0
			280313	281	335	A3	10	Negative 50
			280313	281	335	A3	10	Negative 50
32"	DW21Ax32	24.5 R 32	21320	281	335	A3	10	0
		680 / 70 R 32	21321	281	335	A3	10	Negative 50
		680 / 75 R 32						
	DW27Ax32	30.5 L 32 800 / 65 R 32	27320	281	335	A3	10	0
		27321	281	335	A3	10	Negative 50	

Not all items are listed in this catalog. Please contact us for any application that you do not see in this catalog.

## GENERAL CONDITIONS OF SALE

### OFFERS

If not stated otherwise, offers of JANTSA are always to be considered with no obligation.

Offers are solely owned by JANTSA and are not to be passed on to third parties.

### ORDERS

Orders transmitted to JANTSA shall be written and either sent via mail, fax, or e-mail. Orally expressed orders will not be taken into consideration.

If a buyer transmits a written order to JANTSA or if JANTSA transmits a written order to the buyer constituting an offer stating price, amount and terms; an official order and agreement will come into existence when the buyer accepts JANTSA's offer by a return of the signed and confirmed Proforma Invoice.

Orders of any kind can neither be cancelled nor altered starting from one week after the confirmation of the Proforma Invoice and alterations will be put in process only by an issued revised Proforma Invoice by JANTSA which will be re-confirmed by the purchaser.

### PAYMENTS

The payment of invoices must be regardlessly remitted to the declared bank within the terms and conditions stated on the agreement of the regarding order.

Any delays of the invoices will give way to calculation of interests according to the updated Turkish Central Bank Rate.

In case of claims and complaints put forth, the purchaser will not put a hold on any invoice and/or past due payments.

### CLAIMS

JANTSA will consider claims after receiving and/or checking the defected goods or the regarding photo's of wheels (if enough to consult) within 3 months after the complaint placed.

Other than defects in workmanship and materials, JANTSA rejects any responsibility for any improper uses which do not conform with the specifications indicated in the catalogue.

### DELIVERY TERMS

Delivery Terms are to be indicated in every written contract among purchasers and JANTSA.

Delivery Terms stated in JANTSA's offers and/or acknowledgements are not guaranteed and may vary under certain circumstances. By this means, any delay in the delivery will not hold JANTSA responsible for any claims and purchasers shall not entitle JANTSA to cancel the order and contract or request credit for the occurring delay.



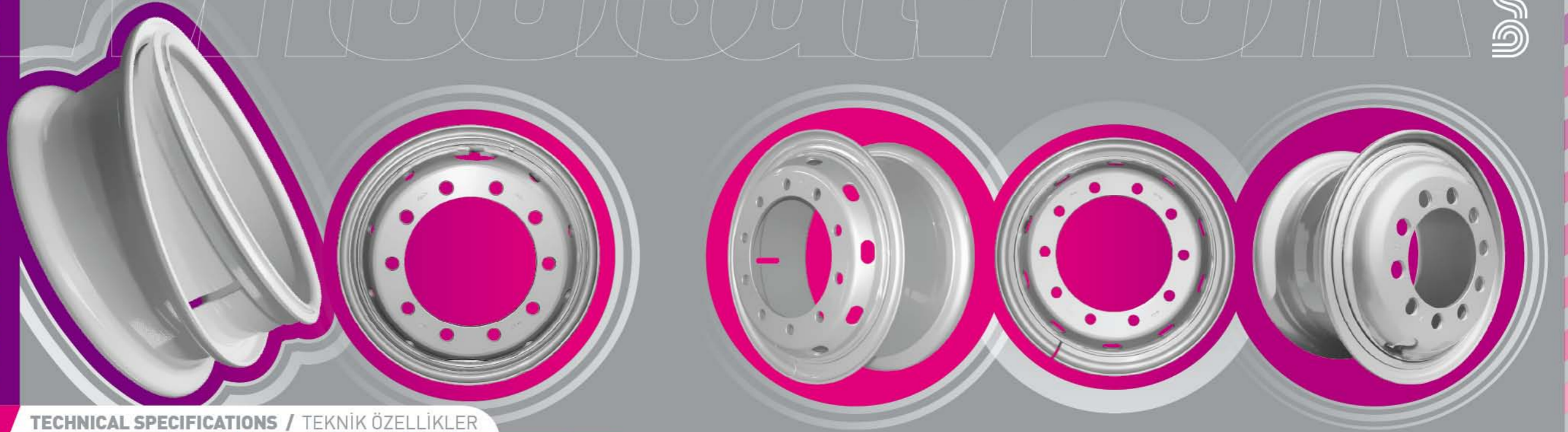
## MULTI-PIECE HEAVY DUTY TRUCK WHEELS

## ÇOK PARÇALI AĞIR VASITA JANTLARI



# MULTI-PIECE HEAVY DUTY TRUCK WHEELS

## ÇOK PARÇALI AĞIR VASİTA JANTLARI



### TECHNICAL SPECIFICATIONS / TEKNİK ÖZELLİKLER

RIM DIAMETER JANT ÇAPİ	WHEEL SIZE JANT EBADİ	TIRE SIZE LASTİK EBADİ	JANTSA PART NUMBER JANTSA KOD	CENTER HOLE (mm) PORYA ÇAPİ	P.C.D. (mm) BIJON EKSEN ÇAPİ	HOLE TYPE BIJON TİPİ	NUMBER OF BOLT HOLES BIJON SAYISI	OFFSET OFSET (mm)	LOAD CAPACITY (KG.) TAŞIMA KAPASİTESİ	SPEED (KM / H ) HIZ
15"	6,0-15	750-15	60800	161	205	B2	6	122	2150	60
	6,5-15	825-15	65155	176	225	Ø26mm	10	135	2650	60
			65160	161	205	A2	6	0	2650	40
	7,0-15	900-15	70156	176	225	B3	10	142	3000	60
	7,5-15	1000-15	75155	176	225	Ø26mm	10	155	3200	60
75161			176	225	Ø26mm	10	0	3200	40	
20"	6,0-20	750-20	60250	281	335	B3	10	145	2100	100
			60252	164	222,25	Ø32.5/37/R22,2	6	135	2100	100
	6,5-20	825-20	65250	221	275	B3	8	150	2300	100
			65255	281	335	Ø26mm	10	146	2300	100
			65262	281	335	Ø26mm	10	112.5	2600	80
	7,0-20	900-20	70201	221	275	B17	8	157	2200	100
			70204	281	335	B3	10	153	2600	100
			70214	221	275	B2	8	77	2850	60
			70218	221	*285*	Ø32.5/37,5/R22,2	8	160	2600	100
	7,5-20	1000-20	75202	281	335	Ø26mm	10	165	3100	100
			75207	221	*285*	B5	8	165	3050	100
			75214	281	335	Ø26mm	10	160	3000	100
			75216	281	335	A3	10	0	3100	100
			*75400*	281	335	Ø26mm	10	165	3100	100
			80201	281	335	Ø26mm	10	172	3250	100
			80202	281	335	B3	10	172	3250	100
			80207	221	275	B3	8	0	3700	40
	8,0-20	1100-20	80221	281	335	B3	10	172	3250	100
			80231	221,5	285,75	B3	10	174	3250	100
			80233	221	285	B5	8	172	3200	100
*80400*			281	335	Ø26mm	10	172	3250	100	

### TECHNICAL SPECIFICATIONS / TEKNİK ÖZELLİKLER

RIM DIAMETER JANT ÇAPİ	WHEEL SIZE JANT EBADİ	TIRE SIZE LASTİK EBADİ	JANTSA PART NUMBER JANTSA KOD	CENTER HOLE (mm) PORYA ÇAPİ	P.C.D. (mm) BIJON EKSEN ÇAPİ	HOLE TYPE BIJON TİPİ	NUMBER OF BOLT HOLES BIJON SAYISI	OFFSET OFSET (mm)	LOAD CAPACITY (KG.) TAŞIMA KAPASİTESİ	SPEED (KM / H ) HIZ		
20"	8,5-20	1200-20	85201	281	335	Ø26mm	10	180	3850	100		
			85202	281	335	B3	10	180	3850	100		
			85203	281	335	Ø26mm	10	172	3850	100		
			85209	221	285,75	Ø32.5/37,5/R22,2	10	179	3850	100		
			85210	221	*285*	Ø32.5/37,5/R22,2	8	180	3750	100		
			85214	281	335	B3	10	0	4150	40		
	9,0-20	1200-20	*85400*	281	335	Ø26mm	10	180	3850	100		
			90201	281	335	Ø26mm	10	141	4250	60		
			10,00-20	1400 R 20	100201	281	335	B3	10	151	4500	100
				365/85 R 20	100204	221	275	A2	8	0	5200	40
			10,00 V-20 TUBELESS	395/85 R 20	100222	281	335	Ø26mm	10	214	4500	100
				1400 R 20	100236	281	335	Ø26mm	10	Inset 120	5000	60
335/80 R 20	100237	281		335	Ø26mm	10	68	5050	60			
365/80 R 20	100238	281		335	Ø26mm	10	45	5050	60			
11,00 V-20 TUBELESS	395/85 R 20	110214	281	335	Ø26mm	10	0	5000	80			
22"	8.0-22	11.00 R 22	22800	281	335	Ø26mm	10	172	3600	100		
24"	8,0-24	1000-24 TR	80241	229	286	Ø23mm	10	70	3800	100		
		1100-24	80243	321	375	Ø26/36/R22	12	92,5	5000	40		
		1200 R 24	80244	281	335	Ø26mm	10	172	3800	100		
	8,5-24	1100 R 24	*85800*	281	335	B3	10	180	4500	100		
		1200-24	*85801*	281	335	Ø26mm	10	172	4500	100		
		1200 R 24	*85802*	281	335	Ø26mm	10	180	4500	100		

Not all items are listed in this catalog. Please contact us for any application that you do not see in this catalog.

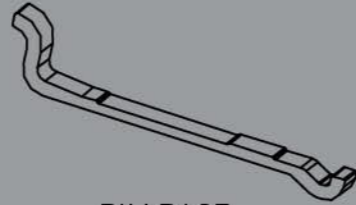
3 PIECE RIM



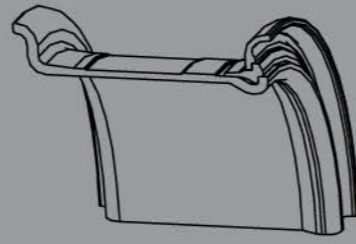
SIDE RING



LOCK RING



RIM BASE



3 PIECE

RIM BASE MARKINGS

Traceability Markings (6,0-6,5-7,0)  
Traceability Markings (7,5)  
Traceability Markings (8,0-8,5)  
Traceability Markings (9,75)

SIDE RING MARKINGS

Jantsa-Size-15"-SR-Year (0828)  
Jantsa-Size-15"-SR-Year (01111)  
Jantsa-Size-15"-SR-Year (01112)  
Jantsa-Size-15"-SR-Year (0828)

LOCK RING MARKINGS

Jantsa-Size-15"-LR-Year (01607)  
Jantsa-Size-15"-LR-Year (01607)  
Jantsa-Size-15"-LR-Year (01607)  
Jantsa-Size-15"-LR-Year (01607)

NOTCHED LOCK RING MARKINGS

Jantsa-Size-15"-LRN-Year (01096)  
Jantsa-Size-15"-LRN-Year (01096)  
Jantsa-Size-15"-LRN-Year (01096)  
Jantsa-Size-15"-LRN-Year (01096)

15"

Traceability Markings (6,0-6,5-7,0)  
Traceability Markings (7,5)  
Traceability Markings (8,0-8,5)  
Traceability Markings (9,0)  
Traceability Markings (10,00)  
Traceability Markings (11,00)

Jantsa-Size-20"-SR-Year (01110)  
Jantsa-Size-20"-SR-Year (0758)  
Jantsa-Size-20"-SR-Year (01113)  
Jantsa-Size-20"-SR-Year (01113)  
Jantsa-Size-20"-SR-Year (01113)  
Jantsa-Size-20"-SR-Year (01113)

Jantsa-Size-20"-LR-Year (0759)  
Jantsa-Size-20"-LR-Year (0759)  
Jantsa-Size-20"-LR-Year (0759)  
Jantsa-Size-20"-LR-Year (0759)  
Jantsa-Size-20"-LR-Year (0759)  
Jantsa-Size-20"-LR-Year (0759)

Jantsa-Size-20"-LRN-Year (01093)  
Jantsa-Size-20"-LRN-Year (01093)  
Jantsa-Size-20"-LRN-Year (01093)  
Jantsa-Size-20"-LRN-Year (01093)  
Jantsa-Size-20"-LRN-Year (01093)  
Jantsa-Size-20"-LRN-Year (01093)

20"

Traceability Markings (8,0)

Jantsa-Size-22"-SR-Year (01266)

Jantsa-Size-22"-LR-Year (01264)

----

22"

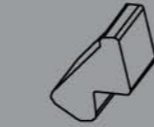
Traceability Markings (8,0-8,5-10,00)

Jantsa-Size-24"-SR-Year (0789)

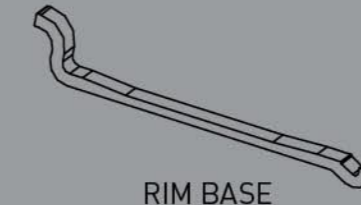
Jantsa-Size-24"-LR-Year (01115)

Jantsa-Size-24"-LRN-Year (01065)

24"



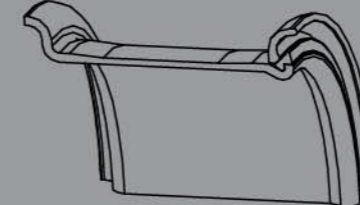
LOCK RING



RIM BASE



SIDE RING



3 PIECE

20"

RIM BASE MARKINGS

Traceability Markings (10,00V-11,00V)

SIDE RING MARKINGS

Jantsa-Size-20"-SR-Year (0975)

LOCK RING MARKINGS

Jantsa-Size-20"-LR-Year (0974)

4 PIECE RIM



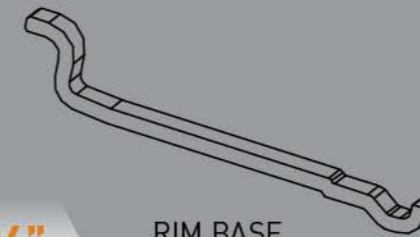
CONICAL RING



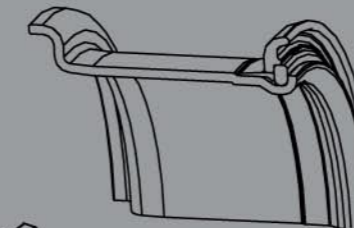
SIDE RING



SECURITY RING



RIM BASE



4 PIECE

24"

RIM BASE MARKINGS

Traceability Markings (8,5)  
Traceability Markings (10,00)

SIDE RING MARKINGS

Jantsa-Size-24"-SR-Year (01279) (8,5)  
Jantsa-Size-24"-SR-Year (01145) (10,00)

SECURITY RING MARKINGS

Jantsa-Size-24"-SR-Year (01147) (8,5)  
Jantsa-Size-24"-SR-Year (01147) (10,00)

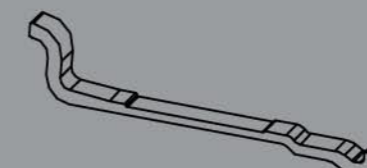
CONICAL RING MARKINGS

Jantsa-Size-24"-CR-Year (01146) (8,5)  
Jantsa-Size-24"-CR-Year (01146) (10,00)

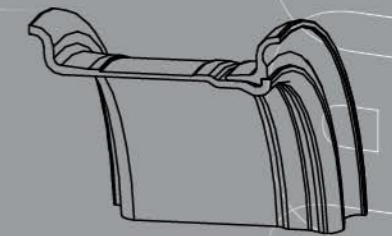
2 PIECE RIM



COMBINED RING



RIM BASE



2 PIECE

20"

RIM BASE MARKINGS

Traceability Markings (7,0-8,0)  
Traceability Markings (8,5)

COMBINED RING MARKINGS

Jantsa-Size-20"-CR-Year (01118)  
Jantsa-Size-20"-CR-Year (01116)

24"

Traceability Markings (8,5)

Jantsa-Size-24"-CR-Year (01144)

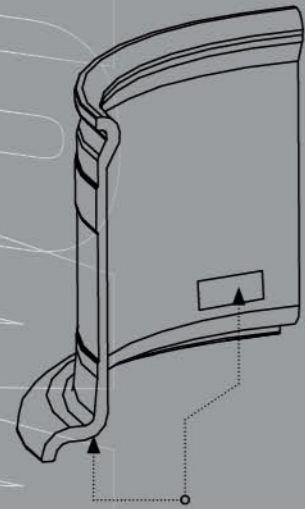
NOTE : JANTSA SIDE RINGS & LOCK RINGS ARE NOT INTERCHANGEABLE WITH ANY OTHER BRAND. FITTING OTHER BRAND RINGS TO JANTSA WHEEL OR RIM PRODUCTY IS EXTREMELY DANGEROUS !



AGRO INDUSTRIAL  
& INDUSTRIAL  
VEHICLE WHEELS

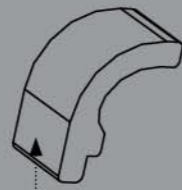
ZİRAİ ENDÜSTRİYEL  
VE ENDÜSTRİYEL  
ARAÇ JANTLARI

WWW.JANTSA.COM



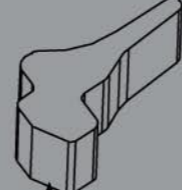
JANTSA Label / Year / Week /  
Day / Shift / Lot No / Wheel Size / R  
(Traceability Markings)

SIDE RING



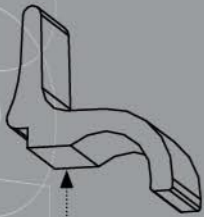
Jantsa-Size-SR-2007

LOCK RING



Jantsa-Size-LR-2007

COMBINED RING



Jantsa-Size-CR-2007

CONICAL RING



Jantsa-Size-CR-2007

LOCK RING



Jantsa-Size-LR-2007

SIDE RING



Jantsa-Size-SR-2007

LOCK RING



Jantsa-Size-LR-2007

SECURITY RING



Jantsa-Size-SR-2007



WheelStimark



TECHNICAL SPECIFICATIONS / TEKNİK ÖZELLİKLER

RIM DIAMETER JANT ÇAPİ	WHEEL SIZE JANT EBADİ	JANTSA PART NUMBER JANTSA KOD	CENTER HOLE PORYA ÇAPİ	P.C.D. (mm) BIJON EKSEN ÇAPİ	HOLE TYPE BIJON TİPİ	NUMBER OF BOLT HOLES BIJON SAYISI	OFFSET OFSET (mm)	
15" 3 PIECE	6,5-15	65161	161	205	B2	6	Inset 124	
		65162	176	225	B2	10	Inset 124	
	8,0-15	80151	176	225	B3	10	143	
		80153	176	225	Ø26 mm	10	155	
		97515	260	300	Ø24 mm	10	-45	
16,5"	16,5 x 8,25	165825	94	140	A1	5	0	
		165826	161	205	A2	6	0	
		165828	152,4	203,2	B-Ø16,6/20,6/90°	8	0	
	16,5 x 9,75	165975	161	205	A2	6	0	
		165978	152,4	203,2	B-Ø16,6/20,6/90°	8	0	
		165979	221,25	275	Ø19	8	-12,7	
		165121	201,6	241,3	A-Ø17,5/23,8/90°	9	0	
	16,5 x 12,00	165122	152,8	203,2	A-Ø15,8/23,5/90°	8	-3	
		8,0-20	80226	281	335	Ø26 mm	10	177
			80234	221	285,75	B-Ø30,1/37,2/R22,2	10	172
80602	221		275	A3	8	0		
20" 3 PIECE	8,5-20	85222	281	335	B3	10	172	
		85616	281	335	Ø26 mm	10	177	
		100225	281	335	Ø26 mm	10	216	
	10,00 V-20 TUBELESS	100230	325	335	Ø26 mm	12	216	
		11,00-20 TUBELESS	110020	350	410	Ø22 mm	12	47
24"	8,5-24 4 PIECE	85289	371	425	Ø26 mm	24	172	
		85290	281	335	Ø26 mm	10	200	
		85291	350	400	Ø24 mm	16	200	
	9 x 24 SINGLE PIECE	902402	282	335	Ø23 mm	10	Inset 37	
		902412	281	335	Ø26 mm	10	180	
		102400	281	335	Ø26 mm	10	0	
	10,00-24 3 PIECE	102401	371	425	Ø26 mm	12	198	
		102402	371	425	Ø26 mm	24	198	

TECHNICAL SPECIFICATIONS / TEKNİK ÖZELLİKLER

RIM DIAMETER JANT ÇAPİ	WHEEL SIZE JANT EBADİ	JANTSA PART NUMBER JANTSA KOD	CENTER HOLE PORYA ÇAPİ	P.C.D. (mm) BIJON EKSEN ÇAPİ	HOLE TYPE BIJON TİPİ	NUMBER OF BOLT HOLES BIJON SAYISI	OFFSET OFSET (mm)	
24"	10,00-24 4 PIECE	102403	281	335	Ø26 mm	10	225	
		102405	371	425	Ø26 mm	24	216	
		102407	371	425	Ø26 mm	24	216	
	W 13 x 24	13241	281	335	A3	10	0	
		13245	221	275	A2	8	-30	
		W 14 x 24	14241	161	205	A2	6	0
		W 15 L x 24	24152	221,25	275	Ø23 mm	8	0
		DW 16 x 24	16024	221	275	A2	8	0
		DW 18 x 24	18024	221	275	A2	8	0
		DW 18 x 24	18025	221	275	A2	8	Negative 50
25" SINGLE PIECE	12 x 25	25124	290	335	Ø22 / 35 / R 22	5	25	
		25127	221,2	275	Ø23 mm	8	0	
	13 x 25	25500	281	335	A-Ø30 / 37 / R22,2	10	-38	
		25506	281,4	335	A3	10	0	
25" 3 PIECE	9,5-25	950025	350,2	400	A3	16	-60	
	10,00-25	100025	281	335	B3	10	-40	
	12,00-25	120025	281	335	B3	10	-50	
	14,00-25	140025	281	335	B3	10	-50	
		170025	281	335	B3	10	-50	
17,00-25	170026	371	425	A3	12	Inset 20		
26"	W 16L x 26	0970	RIM ONLY / KASNAK					
28"	W 14L x 28	14281	289,5	335	Ø22,5 / 38 / R22,4	10	41,7	
		14284	152,4	203,2	Ø21	8	Inset 30	
	W 15L x 28	28150	281	335	Ø24 / 33 / R 18,5	-10	Negative 115,5	

NEW SIZES COMING SOON

8"	3.00D-8, 4.33R-8	44"	W10x44
9"	4.00E-9, 6.00E-9	46"	W8x46, W10x46
10"	5.00F-10, 5.50F-10, 6.50F-10	48"	W8x48, W10x48
12"	5.00S-15, 8.00G-12	50"	W8x50, W10x50
38"	DW15Lx38, DW18Lx38, DW20Lx38, DW23Lx38	52"	W8x52, W10x52
42"	W8x42, W10x42	54"	W8x54, W10x54



# WheelsatWork

## jantσα



WHAT DO YOU EXPECT FROM A TOP BRAND ?  
A BRAND WHICH IS ALWAYS  
ONE STEP AHEAD?

30



TUBELESS & TUBE TYPE  
LIGHT COMMERCIAL  
UTILITY VEHICLE  
WHEELS

KANALLI VE YARIM  
KANALLI 5° EĐİMLİ  
HAFİF TİCARİ VASİTA  
JANTLARI



WWW.JANTSA.COM

WheelsatWork

TUBELESS & TUBE TYPE  
LIGHT COMMERCIAL  
UTILITY VEHICLE WHEELS

KANALLI VE YARIM  
KANALLI 5° EĞİMLİ HAFIF  
TİCARİ VASİTA JANTLARI



TECHNICAL SPECIFICATIONS / TEKNİK ÖZELLİKLER

RIM DIAMETER JANT ÇAPİ	WHEEL SIZE JANT EBADİ	TIRE SIZE	JANTSA PART NUMBER JANTSA KOD	CENTER HOLE (mm) PORYA ÇAPİ	P.C.D. (mm) BIJON EKSEN ÇAPİ	HOLE TYPE BIJON TİPİ	NUMBER OF BOLT HOLES BIJON SAYISI	OFFSET OFSET (mm)	LOAD CAPACITY @ YÜKLEME KAPASİTESİ 100 km/h	VEHICLE ARAÇ TİPİ
13"	4,5Jx13H2	145 R 13	45300	85	131	Ø19,5mm	4	Negative 6,5	740	VARIOUS
			45302	90	139,5	Ø14mm/17,3/r80°	4	22	790	VARIOUS
			45303	80,3	108	Ø13,7mm	4	0	700	VARIOUS
14"	5.50Jx14H2	185/70 R 14	550140	115	165	Ø13,5mm	5	Inset 38	900	BMC
			550143	130,1	169,3	Ø22/Ø26.8/80°	6	106	1200	VARIOUS
15"	6JJx15H2	185 R 15	601501	165	205	B2	6	Inset 87	1000	VARIOUS
16"	5.50Jx16H2	165 R 16	550160	130,5	170	Ø21,5	6	114,5	1000	GAZEL
	4,50x16	600/650-16	45109	110	140	A15	5	24	860	JEEP
			45110	71	114,3	Ø14,2/19.8/60°	5	20,3	1050	DODGE
	5,50x16	7,50-16	55150	141	190	A-Ø20/25/R14	5	35	1100	PEUGEOT
			55131	161	205	B-Ø21,5/26/R16	6	124	1320	50 NC
			55132	161	205	B17	6	126	1320	IVECO-BMC
			55133	161	205	B2	6	125	1320	IVECO
			55134	161	205	B-Ø25,4/31/80°	6	123	1320	BEDFORD
			55135	161	205	B17	6	125	1320	BEDFORD
			55136	161	205	B-Ø21,5/26/R16	6	105	1320	MAGIRUS
			55137	161	205	B2	6	115	1320	MAGIRUS
			55138	121,5	165	A-Ø16,3/20/90°	8	Inset 14	1320	DODGE
			55140	161	205	B17	6	124	1320	IVECO KOMBRING
	7,50-16	55141	121,5	165	B-Ø16,3/21,3/90°	8	Inset 14	1320	DODGE KOMBRING	
	7,50-16	55142	161	205	Ø29mm/35/r18	5	124	1320	ISUZU NPR	
	6,00-16	7,50-16	60110	161	205	A17	6	128	1650	BEDFORD
			60112	146	203,2	B34	5	128	1650	ISUZU NPR
60113			164	222,25	B3	6	132	1650	HINO	
60138			146	203,2	B34	5	128	1900	ISUZU	
6,50-16	8,25-16	65120	161	205	B17	6	123	1900	BMC	
20"	5,50x20	7,50-20	20551	201	245	Ø20,5mm	6	116	1650	AVIA

Not all items are listed in this catalog. Please contact us for any application that you do not see in this catalog.



MULTI-PIECE  
AGRICULTURAL  
IMPLEMENT WHEELS  
FOR LOW SPEED  
APPLICATIONS

DÜŞÜK HIZ İÇİN ZİRAİ  
EKİPMAN JANTLARI



# MULTI-PIECE AGRICULTURAL IMPLEMENT WHEELS FOR LOW SPEED APPLICATIONS

DÜŞÜK HIZ İÇİN  
ZIRAI EKİPMAN  
JANTLARI



## TECHNICAL SPECIFICATIONS / TEKNİK ÖZELLİKLER

RIM DIAMETER JANT ÇAPI	WHEEL SIZE JANT EBADI	TIRE SIZE LASTİK EBADI	JANTSA PART NUMBER JANTSA KOD	CENTER HOLE PORYA ÇAPI (mm)	P.C.D. (mm) BIJON EKSEN ÇAPI	HOLE TYPE BIJON TİPİ	NUMBER OF BOLT HOLES BIJON SAYISI	OFFSET OFSET (mm)	APPLICATIONS UYGULAMA
15"	6,00-15	8,25-15	60151	161	205	A2	6	0	AGRICULTURAL TRAILER
	6,50-15		65151	161	205	A2	6	0	AGRICULTURAL TRAILER
16"	5,50-16	7,50-16	55119	110	160	A1	5	0	AGRICULTURAL TRAILER
			55120	161	205	A1	6	0	AGRICULTURAL TRAILER
			55121	161	205	A2	6	0	AGRICULTURAL TRAILER
			55122	110	140	Ø16mm/ 19,5/90°	5	80	AGRICULTURAL TRAILER
	6,00-16	8,25-16	55124	161	205	Ø21,5/26/R16	6	118	AGRICULTURAL TRAILER
			55126	110	170	A1	5	0	AGRICULTURAL TRAILER
			60102	161	205	A2	6	0	AGRICULTURAL TRAILER
6,50-16	8,25/9,00-16	60103	161	205	A2	6	0	AGRICULTURAL TRAILER	
		65105	161	205	A2	6	0	AGRICULTURAL TRAILER	
18"	13,0-18	15,0 / 70-18	18131	221	275	A2	8	0	AGRICULTURAL TRAILER

Not all items are listed in this catalog. Please contact us for any application that you do not see in this catalog.

## TECHNICAL SPECIFICATIONS / TEKNİK ÖZELLİKLER

RIM DIAMETER JANT ÇAPI	WHEEL SIZE JANT EBADI	TIRE SIZE LASTİK EBADI	JANTSA PART NUMBER JANTSA KOD	CENTER HOLE PORYA ÇAPI (mm)	P.C.D. (mm) BIJON EKSEN ÇAPI	HOLE TYPE BIJON TİPİ	NUMBER OF BOLT HOLES BIJON SAYISI	OFFSET OFSET (mm)	APPLICATIONS UYGULAMA
20"	5,50-20	7,50-20	55202	161	205	A2	6	0	AGRICULTURAL TRAILER
			55203	161	205	A21	6	132	AGRICULTURAL TRAILER
			55204	221	275	A2	8	0	AGRICULTURAL TRAILER
			55205	221	275	A17	8	0	AGRICULTURAL TRAILER
			55206	221	275	A2	8	132	AGRICULTURAL TRAILER
	6,00-20	8,25-20	60202	161	205	A2	6	0	AGRICULTURAL TRAILER
			60203	161	205	B2	6	138	AGRICULTURAL TRAILER
			60204	221	275	A2	8	0	AGRICULTURAL TRAILER
			60205	221	275	A21	8	0	AGRICULTURAL TRAILER
			60206	221	275	B2	8	138	AGRICULTURAL TRAILER
			65201	161	205	A1	6	0	AGRICULTURAL TRAILER
	6,50-20	8,25/9,00-20	65202	161	205	A2	6	0	AGRICULTURAL TRAILER
			65203	161	205	A2	6	145	AGRICULTURAL TRAILER
			65204	221	275	A2	8	0	AGRICULTURAL TRAILER
			65207	221	275	A17	8	145	AGRICULTURAL TRAILER
	7,00-20	9,00-20	70102	161	205	A2	6	0	AGRICULTURAL TRAILER
			70103	221	275	A3	8	0	AGRICULTURAL TRAILER
	10,0-20	14-20	10201	161	205	A2	6	0	AGRICULTURAL TRAILER
			10202	221	275	A3	8	0	AGRICULTURAL TRAILER
			10203	281	335	A3	10	0	AGRICULTURAL TRAILER
11,0-20	14-20	11201	161	205	A2	6	0	AGRICULTURAL TRAILER	
		11202	221	275	A3	8	0	AGRICULTURAL TRAILER	
		11203	281	335	A3	10	0	AGRICULTURAL TRAILER	
13,0-20	15,5-20	13201	161	205	A2	6	0	AGRICULTURAL TRAILER	
		13202	221	275	A3	8	0	AGRICULTURAL TRAILER	
		13203	281	335	A3	10	0	AGRICULTURAL TRAILER	

- JANTSA warranties that delivered goods are free from defects in materials and workmanship and are produced according to provided technical documentation.
- The Buyer has to examine delivered goods immediately upon receiving them, and provide written notification of all discovered defects or incomplete delivery no later than within 10 days after receipt of goods. Otherwise delivery of goods and quality of delivered goods are considered as accepted.
- The warranty for hidden defects is valid only if the Buyer gives written notification within 10 days after discovering them.
- Normal wear is not covered with warranty. The warranty also does not cover damage resulting from improper handling of products, for example overloading over the capacities specified or violating standards stipulated by ETRTO (European Tyre and Rim Technical Organization) and TRA (Tire & Rim Association) or using tires which do not correspond to both standards.
- JANTSA does not bear obligation under warranty for goods if they were modified, or processed (including welding of disc to rim, drilling of stud holes, mechanical processing of surface, etc.). Repair of steel wheels and their components is strictly prohibited.
- JANTSA does not bear obligation under warranty for goods if spare parts produced by other manufacturers are used with them.
- The Buyer bears full responsibility for putting forward a claim, and proving it to JANTSA. This includes: proving presence of defect itself on exact JANTSA product, the fact that defect appeared within warranty period of exact product, the fact that notification of defect was sent on time. Under request of JANTSA, the Buyer should be able provide proves that product was working according to conditions recommended by ETRTO, TRA and/or JANTSA
- JANTSA warranties that proved defects will be corrected either through replacement of goods or through compensation of their EXW price at the moment of initial delivery of goods.
- The Buyer is obliged to store in good conditions all claimed wheels and to provide samples of defected wheels or wheels which are deemed to be claimed by the Buyer upon request from JANTSA.



### LOW PLATFORM TRAILERS

TIRE SIZE	APPROVED RIM CONTOURS	TIRE SIZE	APPROVED RIM CONTOURS
7.50 ★ 15TR	6.0, 6.5	8R17.5HC	6.00HC
8.25 ★ 15TR	6.5, 7.0	9R17.5HC	6.00HC
9.00 ★ 15TR	7.0, 7.5	108R17.5HC	6.00HC
10.00 ★ 15TR	7.5, 8.0	11R17.5HC	6.00HC
11.00 ★ 15TR	8.0, 9.5		

### MEDIUM AND HEAVY DUTY TRUCKS

TIRE SIZE	APPROVED RIM CONTOURS	TIRE SIZE	APPROVED RIM CONTOURS
7.50 ★ 20	5.5, 6.0, 6.5	11.00 ★ 20	7.5, 8.0 8.5
8.25 ★ 20	6.0, 6.5, 7.0	12.00 ★ 20	8.0, 8.5, 9.0
9.00 ★ 20	6.5, 7.0, 7.5	13.00 ★ 20	9.0
10.00 ★ 20	7.0, 7.5, 8.0	14.00 ★ 20	10.0
10.00 ★ 22	7.0, 7.5, 8.0	11.00 ★ 24	7.5, 8.0 8.5
11.00 ★ 22	7.5, 8.0, 8.5	12.00 ★ 24	8.0, 8.5, 9.0
		14.00 ★ 24	10.0
8 ★ 19.5	5.25, 6.00, 6.00RW, 6.75	265/70R 19.5	7.50, 7.50RW, 8.25, 8.25RW
225 / 70R 19.5	6.00, 6.00RW, 6.75, 6.75RW	305/70R 19.5	8.25, 8.25RW, 9.00
245 / 70R 19.5	6.75, 6.75RW, 7.50, 7.50RW		
8 ★ 22.5	5.25, 6.00, 6.75	295/75 ★ 22.5	8.25, 9.00
9 ★ 22.5	6.5, 6.75, 7.50	305/70R 22.5	8.25, 9.00
245/75 ★ 22.5	6.75, 7.50	12 ★ 22.5	8.25, 9.00
10 ★ 22.5	6.75, 7.50	12.5 ★ 22.5	8.25, 9.00
255 / 70R ★ 22.5	7.50, 8.25	12.75 ★ 22.5	8.25, 9.00
265 / 75 ★ 22.5	7.50, 8.25	315/80R 22.5	8.25, 9.00, 9.75

### WIDE BASE

TIRE SIZE	APPROVED RIM CONTOURS	TIRE SIZE	APPROVED RIM CONTOURS
15 ★ 19.5	11.75, 12.25	18 ★ 19,5	13.00, 14.00
16.5 ★ 19.5	12.25, 13.00		
15 ★ 22.5	11.75, 12.25	425/65R 22,5	9.0
385/65R 22,5	11.75, 12.25	445/65R 22,5	10.0
16.5 ★ 22.5	12.25, 13.00	18 ★ 22,5	13.00, 14.00

#### IMPORTANT NOTE

We have put great effort in order to collect in this catalogue all data at the best of our knowledge and with maximum accuracy. Nevertheless, occasional errors or faults can never be excluded. Therefore no responsibility is accepted for data specified in this catalogue.

**EXPORT SALES**

**Address Jantsa Jant Sanayi ve Tic. A.Ş.**  
Umurlu Organize Sanayi Sitesi 09630 Umurlu - Aydın / TURKEY  
**Tel:** +90.256 259 11 25 pbx **Fax:** +90.256 259 11 24 **info@jantsa.com.tr**

**Contact Persons**

Mr. Tamer CERCIOGLU  
Director of Export Sales

Mr. Omer OZTAN  
Area Manager - Europe

Mr. Dilaver NOHUTCU  
Key Accounts Manager

Mr. Cem GUMUSOK  
Export Chief – Exhibitions

Mrs. Gunes ULUKUS AKCASU  
Sales Representative

Mr. Iskander MABROUK  
Sales Representative – M. East & Africa

Mr. Dmitriy KORIACHENKO  
Sales Representative – Ukraine & Russia

Mr. Ivan Jesus CARRILLO  
Central & South America

**E-mails**

t.cercioglu@jantsa.com.tr

o.oztan@jantsa.com.tr

d.nohutcu@jantsa.com.tr

c.gumusok@jantsa.com.tr

g.ulukus@jantsa.com.tr

i.mabrouk@jantsa.com.tr

d.koriachenko@jantsa.com.tr

i.carrillo@jantsa.com.tr

**Speaks****EXPORT SHIPPING & DOCUMENTATION**

Ms. Selda BAYRAKTAR  
Operations Supervisor

Ms. Umran KOSE

s.bayraktar@jantsa.com.tr

u.kose@jantsa.com.tr

**TUNISIAN JANTSA**

Cite Olympique 7 Novembre Rades Apartment 884 Bloc 5 TUNISIA  
**Fax & Phone :** +216 714 65 381 **E-mail :** i.mabrouk@jantsa.com.tr

**DOMESTIC SALES / YURTIÇİ SATIŞ**

**JANTSAN Jant Pazarlama San ve Tic. A.Ş.**  
Cumhuriyet Mah. Turgut Özal Bulv. No:87 Görece Menderes - İZMİR  
**Tel:** 0 232 782 71 71 **Fax:** 0 232 782 71 00 **e-mail :** info@jantsa.com.tr

**Location****JANTSA JANT SANAYİ VE TİC. A.Ş.**